

БОЛЬШОЙ СКЛАД ЗАПЧАСТЕЙ В САНКТ-ПЕТЕРБУРГЕ

Для лодочных моторов Suzuki в наличии все ходовые запчасти, сервисные наборы, расходные материалы, оригинальные аксессуары, оригинальные и не оригинальные гребные винты, “ноги”, тросы для установки на лодку и многое другое.

Найдите в каталоге коды необходимых запчастей

и отправьте их список на Email: parts-katalog@yandex.ru

мы пришлём информацию о цене и наличии

Возможен самовывоз со склада в Санкт-Петербурге

или отправка EMS по России

Наш сайт: www.partskatalog.ru

Контактный телефон: +7 (981) 121-46-93

Особое внимание, обратите на модификацию двигателя. Сверьте серийный номер и скачайте «правильный» каталог запчастей. Не путайте старые моторы серии «Т» и новые серии «А».

SUZUKI

PARTS CATALOGUE

DF140A

DF140AT
DF140AZ



OUTBOARD MOTOR

E01/E40

2012-8

1ST EDITION

PREFACE

When it becomes necessary to replace parts on SUZUKI OUTBOARD MOTORS, always use SUZUKI GENUINE PARTS which have passed a strict inspection which guarantees quality and performance.

This parts catalogue covers the list of all service parts for SUZUKI DF140A production start 2012.

INSTRUCTIONS FOR QUOTING THE CATALOGUE

1. DIMENSIONS

Dimensions of the parts in this catalogue are indicated in unit millimeters.

2. ABBREVIATIONS

Abbreviations used in this catalogue are as follows:

AR	: As required	NT	: Number of teeth
ASSY	: Assembly	OPT	: Optional
E. NO.	: Engine number	OS	: Over size
F. NO.	: Frame number	STD	: Standard
D	: Diameter of material	T	: Thickness
ID	: Inside diameter	US	: Under size
OD	: Outside diameter	W	: Width
L	: Length	W/	: With
LH(PORT)	: Left hand side	S, L, X, LL	: Transom type
RH(STBD)	: Right hand side	SUS	: Stainless steel
~123456	: Up to E. NO. 14002F-123456	PTT	: Power trim and tilt
123456~	: From E. NO. 14002F-123456		

12 x 34 x 5.6..... Figures in the description column

| | | show the dimensions of parts.

ID OD T(or W, L)

→12345-56781 (Parts No.) : indicates that the parts number was changed to 12345-56781 and the new parts are interchangeable with the former ones but the former ones are not interchangeable with new ones.

←12345-56781 (Parts No.) : indicates that the former and new parts are interchangeable with each other and both are usable.

3. INNER PARTS OF ASSEMBLY

Part name with a dot (.) in front as shown in the description column indicates the component of the assembly also available individually.

4. MODIFICATION NOTICE

A parts bulletin will be sent to you on all occasions when changes in parts occur, including interchangeable modifications between new parts and old ones.

5. NOTE

5-1. There are some different parts from those of production models among spare parts for the administrative reasons and common use of them with other models.

5-2. In respect of rubber hoses and vinyl tubes, please be sure to use them by cutting off according to the length mentioned on parts catalogue or what is actually required on the vehicle.

5-3. Note that the drawings on the illustration page are for ready reference of spare parts number, not to be used as an assembly manual. When assembling, use "SUZUKI SERVICE MANUAL".

6. MODEL NAME AND ENGINE NUMBER

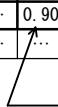
MODEL	DESTINATION	TYPE	TRANSOM	ENGINE No.
DF140AT	E01, E40	14002F	L, X	14003F-310001~
DF140AZ	E01, E40	14002Z	L, X	14003Z-310001~

MILLIMETER → INCH CONVERSION CHART

	0	1	2	3	4	5	6	7	8	9
00	.000	.039	.079	.118	.157	.197	.236	.276	.315	.354
10	.394	.433	.472	.512	.551	.591	.630	.669	.709	.748
20	.787	.827	.866	.906	.945	.984	1.024	1.063	1.102	1.142
30	1.181	1.220	1.260	1.299	1.339	1.378	1.417	1.457	1.496	1.535
40	1.575	1.614	1.654	1.693	1.732	1.772	1.811	1.850	1.890	1.929
50	1.969	2.008	2.047	2.087	2.126	2.165	2.205	2.214	2.283	2.323
60	2.362	2.402	2.441	2.480	2.520	2.559	2.598	2.638	2.677	2.717
70	2.756	2.795	2.835	2.874	2.913	2.953	2.992	3.031	3.071	3.110
80	3.150	3.189	3.228	3.268	3.307	3.346	3.386	3.425	3.465	3.504
90	3.543	3.583	3.622	3.661	3.701	3.740	3.780	3.819	3.858	3.898

How to read

	0	1	2	3	4
00
10
20	0.906	...
30


 23 millimeters equal 0.906 inch

Contents are subject to change without notice or obligation.

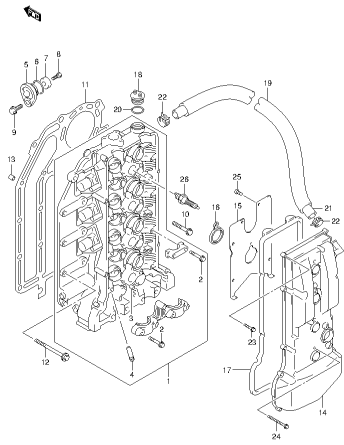
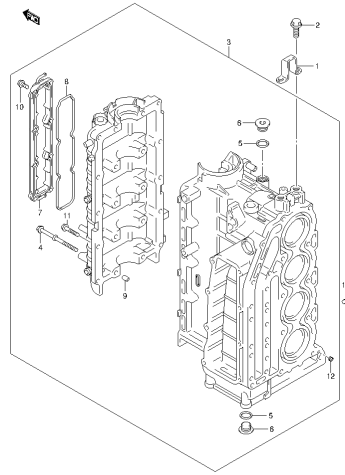
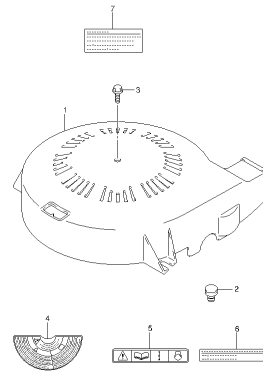
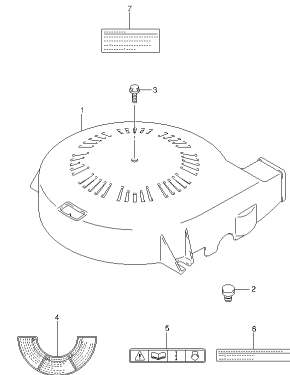
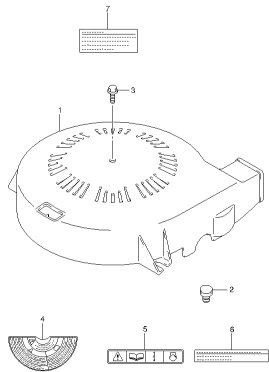
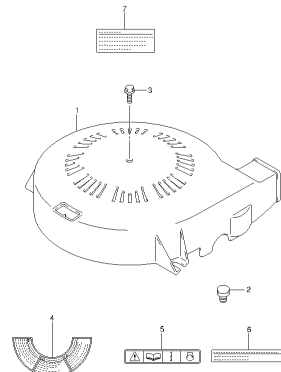
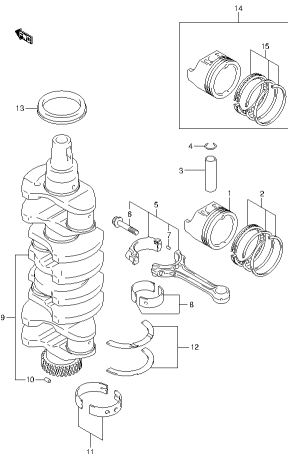
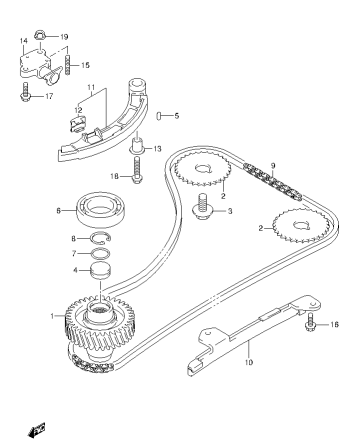
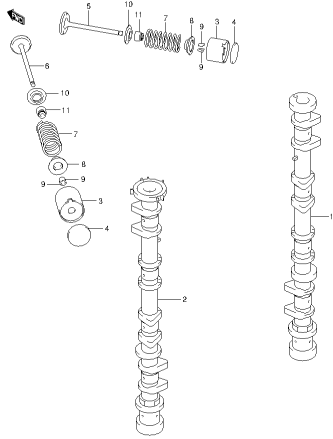
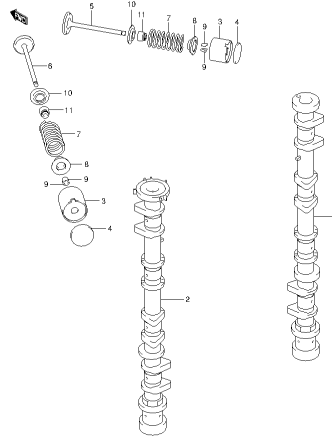
FIG.1DF140A_E01_013_001
CYLINDER HEAD**FIG.2**DF140A_E01_013_002
CYLINDER BLOCK**FIG.3**DF140A_E01_013_003
RING GEAR COVER**FIG.4**DF140A_E01_013_004
RING GEAR COVER**FIG.5**DF140A_E01_013_005
RING GEAR COVER**FIG.6**DF140A_E01_013_006
RING GEAR COVER**FIG.7**DF140A_E01_013_007
CRANKSHAFT**FIG.8**DF140A_E01_013_008
TIMING CHAIN

FIG.9



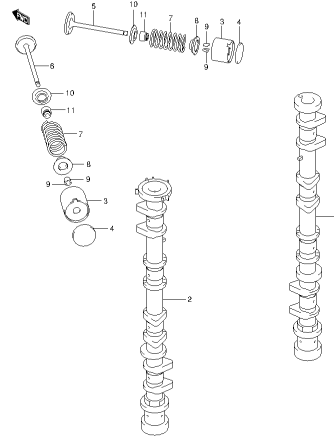
DF140A_E01_013_009
CAMSHAFT

FIG.10



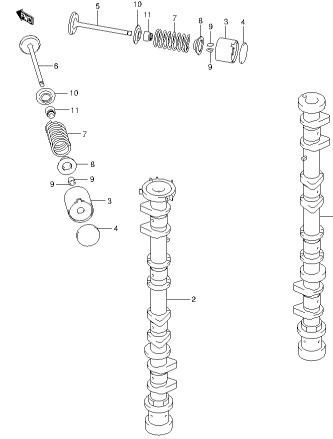
DF140A_E01_013_010
CAMSHAFT

FIG.11



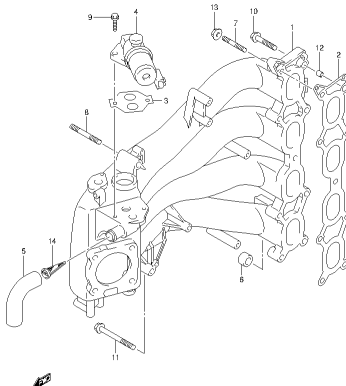
DF140A_E01_013_011
CAMSHAFT

FIG.12



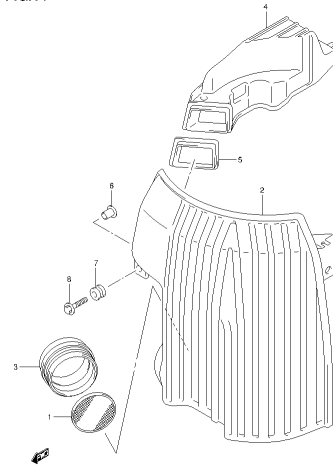
DF140A_E01_013_012
CAMSHAFT

FIG.13



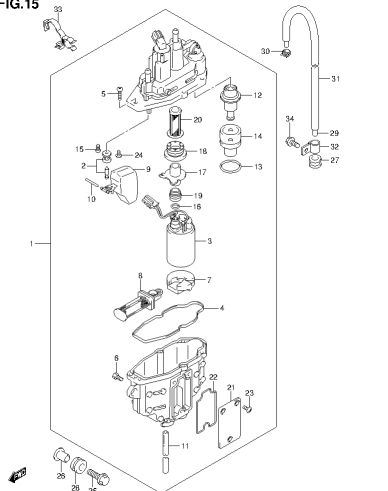
DF140A_E01_013_013
INTAKE MANIFOLD

FIG.14



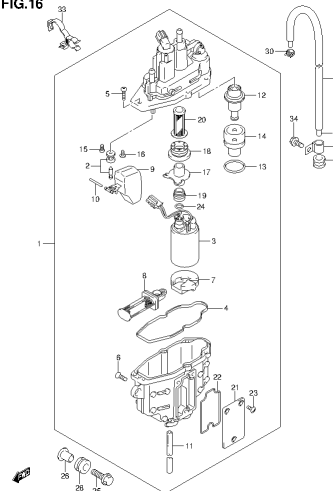
DF140A_E01_013_014
SILENCER

FIG.15



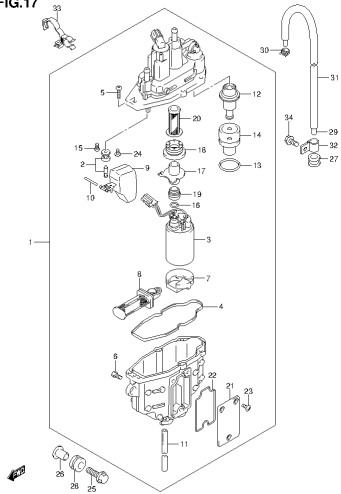
DF140A_E01_013_015
FUEL VAPOR SEPARATOR

FIG.16



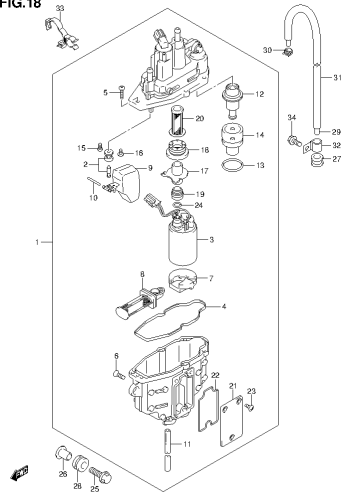
DF140A_E01_013_016
FUEL VAPOR SEPARATOR

FIG.17



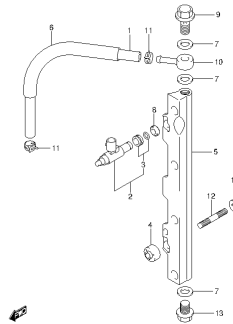
DF140A_E01_01S_017
FUEL VAPOR SEPARATOR

FIG.18



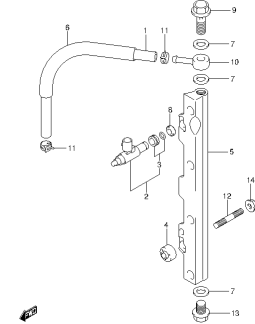
DF140A_E01_01S_018
FUEL VAPOR SEPARATOR

FIG.19



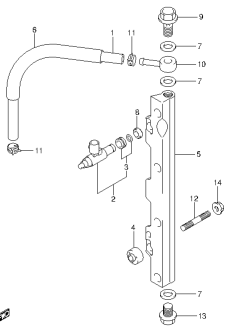
DF140A_E01_01S_019
FUEL INJECTOR

FIG.20



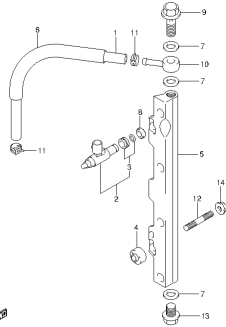
DF140A_E01_01S_020
FUEL INJECTOR

FIG.21



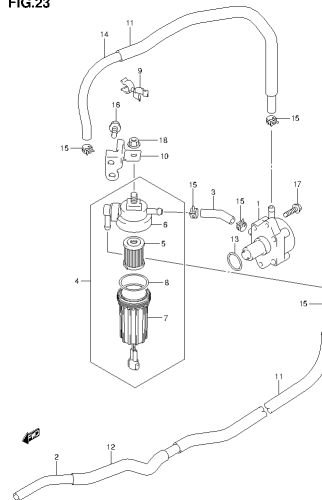
DF140A_E01_01S_021
FUEL INJECTOR

FIG.22



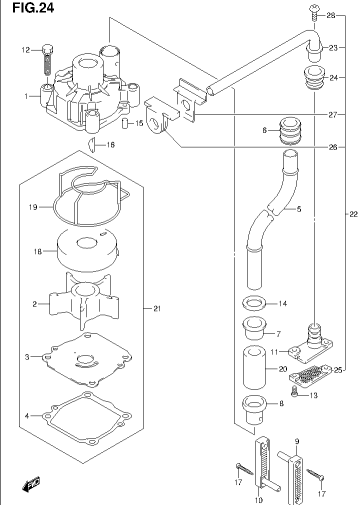
DF140A_E01_01S_022
FUEL INJECTOR

FIG.23



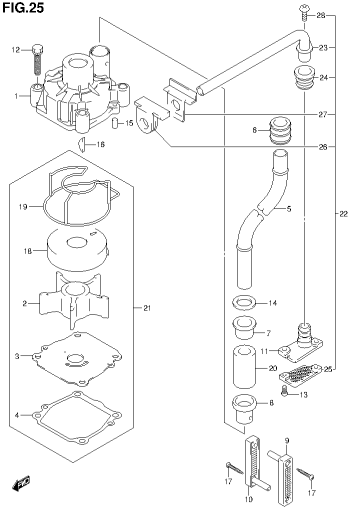
DF140A_E01_01S_023
FUEL PUMP

FIG.24



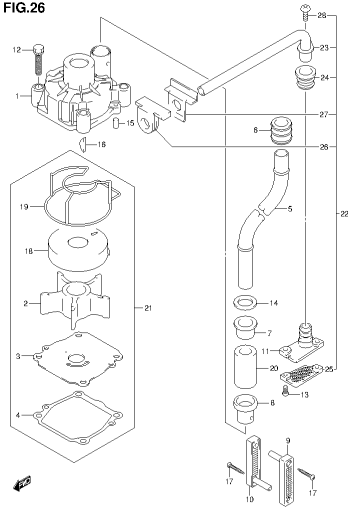
DF140A_E01_01S_024
WATER PUMP

FIG.25



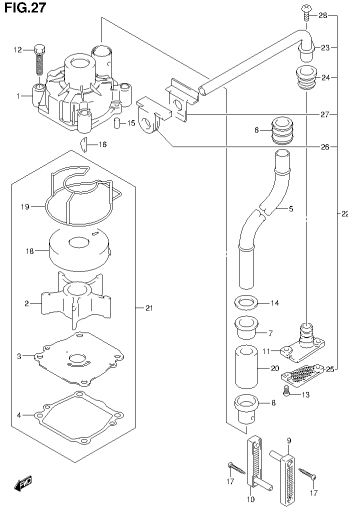
DF140A_E01_013_025
WATER PUMP

FIG.26



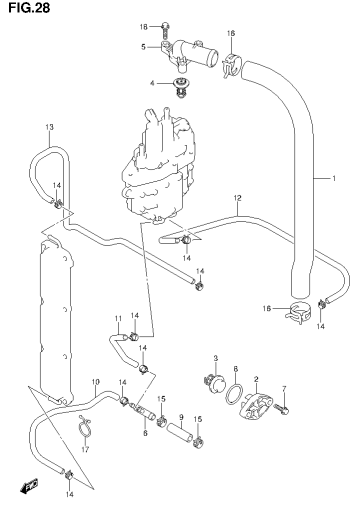
DF140A_E01_013_026
WATER PUMP

FIG.27



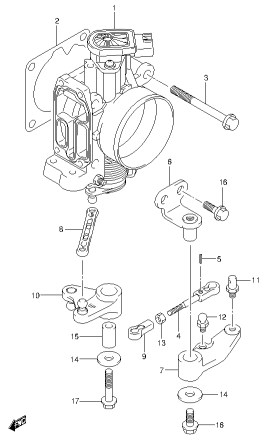
DF140A_E01_013_027
WATER PUMP

FIG.28



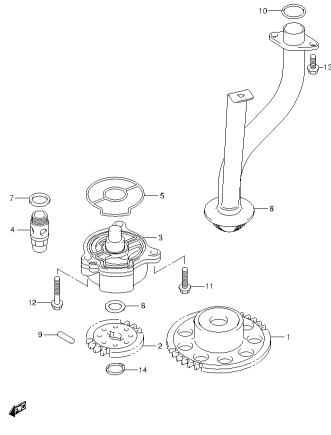
DF140A_E01_013_028
THERMOSTAT

FIG.29



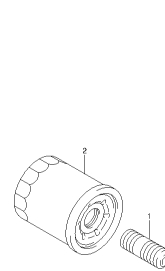
DF140A_E01_013_029
THROTTLE BODY

FIG.30



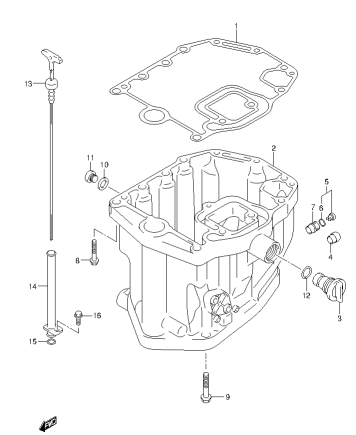
DF140A_E01_013_030
OIL PUMP

FIG.31

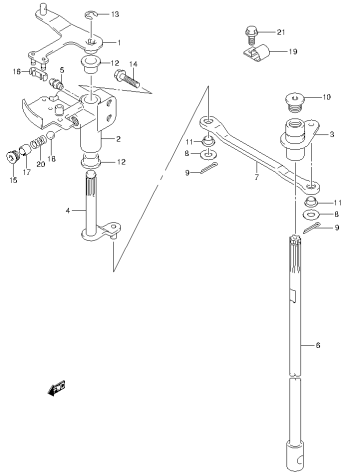


DF140A_E01_013_031
OIL FILTER

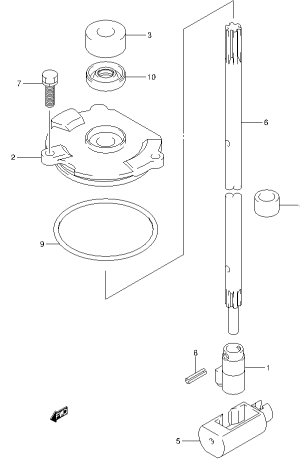
FIG.32



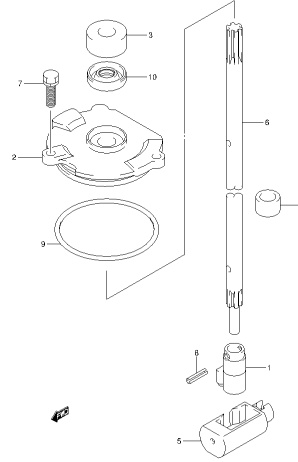
DF140A_E01_013_032
OIL PAN

FIG.33

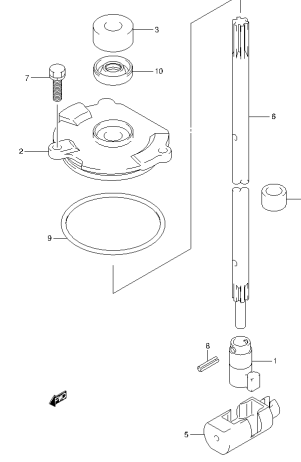
DF140A_E01_L013_093
CLUTCH SHAFT

FIG.34

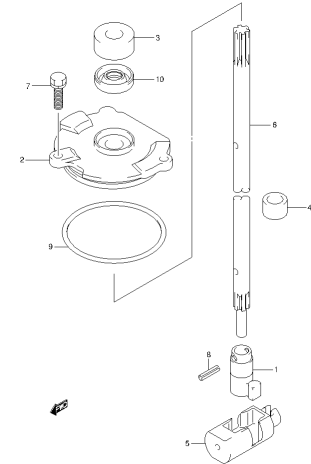
DF140A_E01_L013_094
CLUTCH ROD

FIG.35

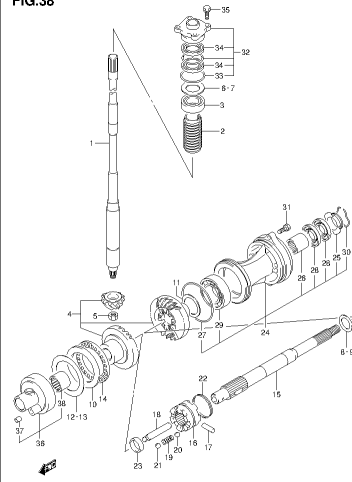
DF140A_E01_L013_095
CLUTCH ROD

FIG.36

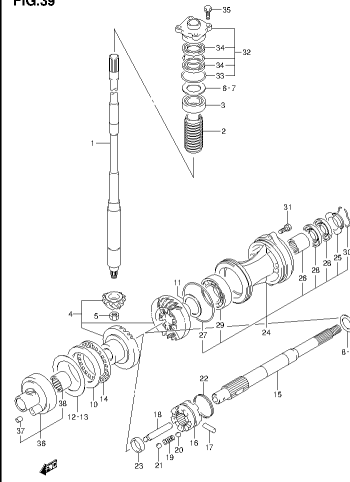
DF140A_E01_L013_098
CLUTCH ROD

FIG.37

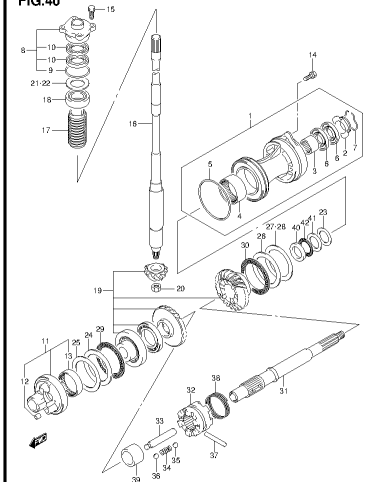
DF140A_E01_L013_097
CLUTCH ROD

FIG.38

DF140A_E01_L013_099
TRANSMISSION

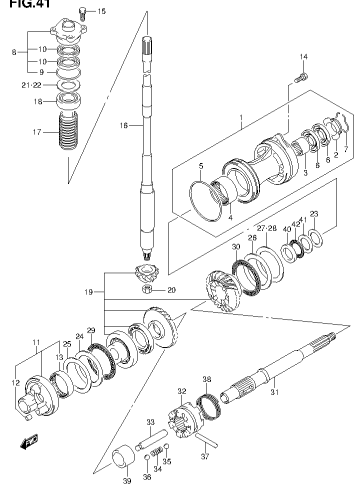
FIG.39

DF140A_E01_L013_099
TRANSMISSION

FIG.40

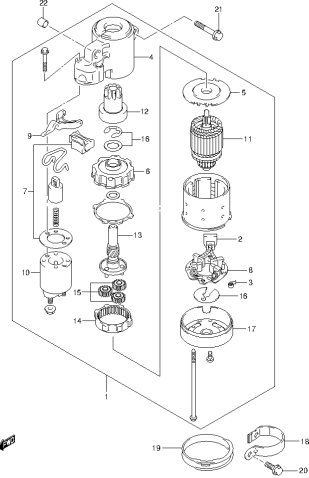
DF140A_E01_L013_040
TRANSMISSION

FIG.41



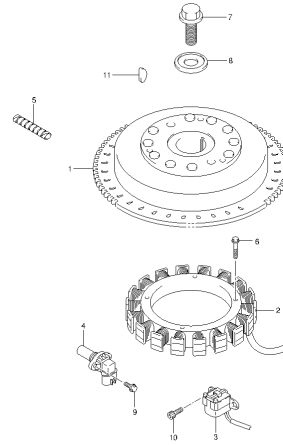
DF140A_E01_013_041
TRANSMISSION

FIG.42



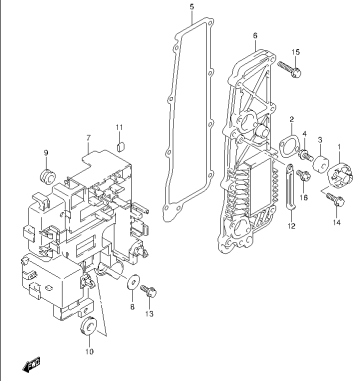
DF140A_E01_013_042
STARTING MOTOR

FIG.43



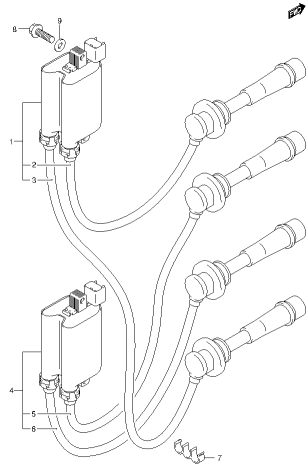
DF140A_E01_013_043
MAGNET

FIG.44



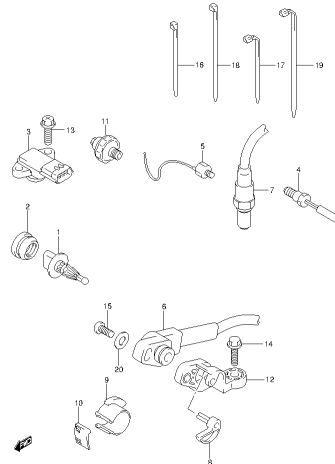
DF140A_E01_013_044
RECTIFIER

FIG.45



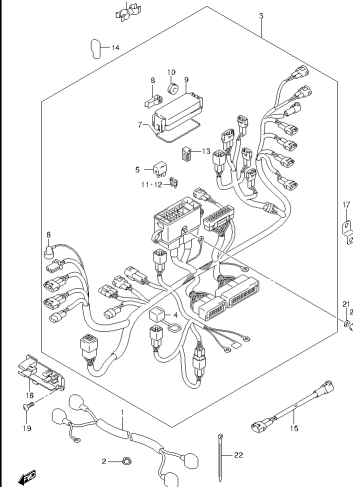
DF140A_E01_013_045
IGNITION COIL

FIG.46



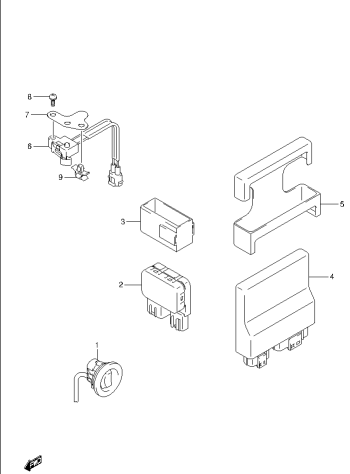
DF140A_E01_013_046
SENSOR

FIG.47



DF140A_E01_013_047
HARNES

FIG.48



DF140A_E01_013_048
PTT SWITCH ENGINE CONTROL UNIT

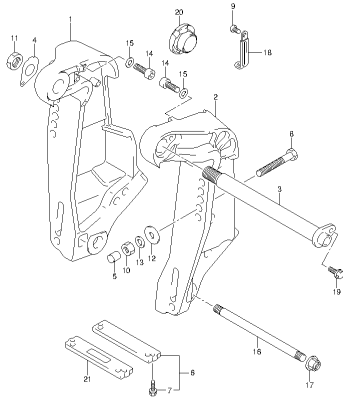
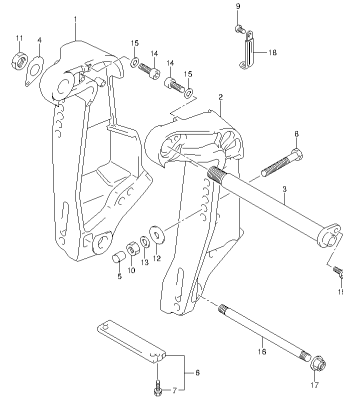
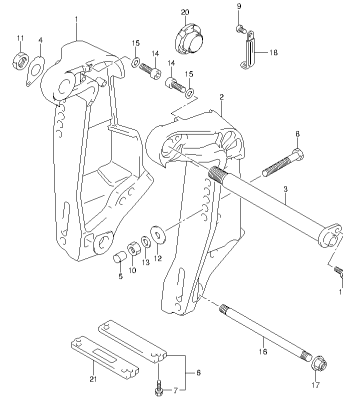
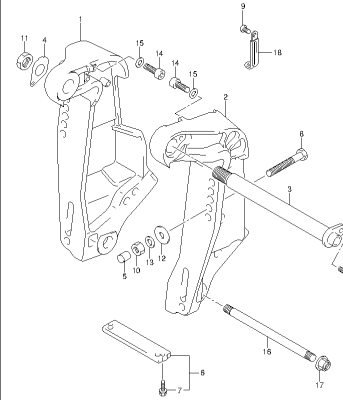
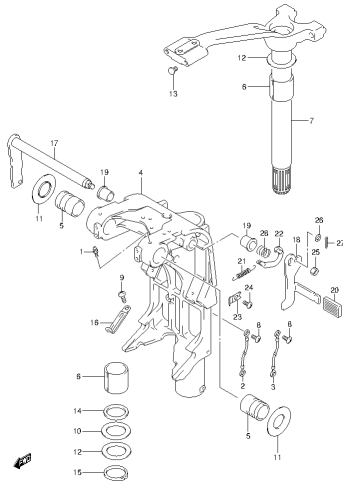
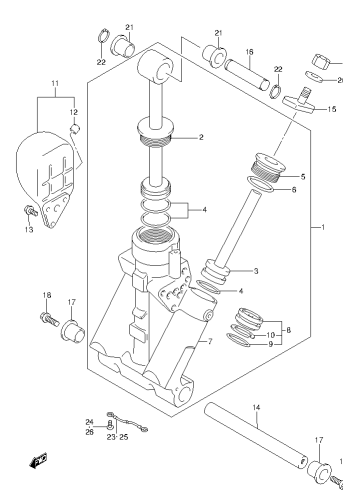
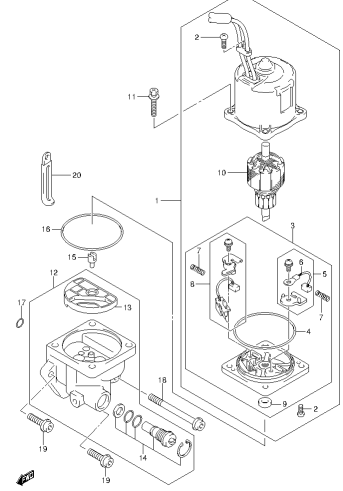
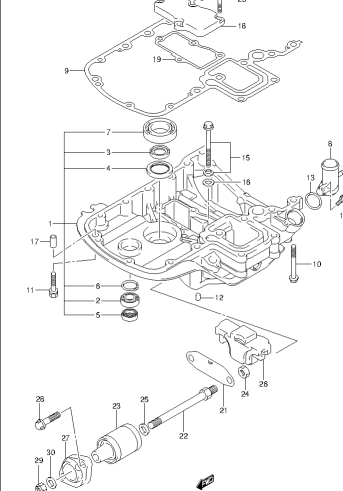
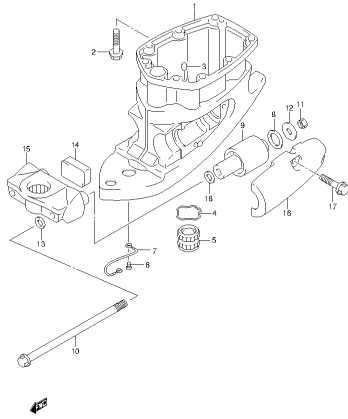
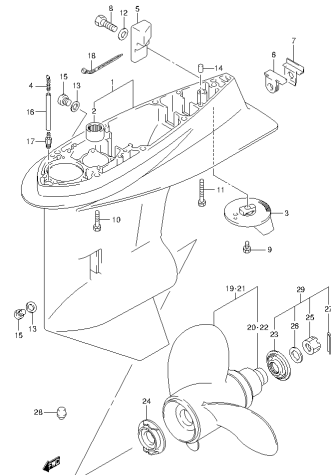
FIG.49DF140A_E01_013_049
CLAMP BRACKET**FIG.50**DF140A_E01_013_050
CLAMP BRACKET**FIG.51**DF140A_E01_013_051
CLAMP BRACKET**FIG.52**DF140A_E01_013_052
CLAMP BRACKET**FIG.53**DF140A_E01_013_053
SWIVEL BRACKET**FIG.54**DF140A_E01_013_054
TRIM CYLINDER**FIG.55**DF140A_E01_013_055
PTT MOTOR**FIG.56**DF140A_E01_013_056
ENGINE HOLDER

FIG.57



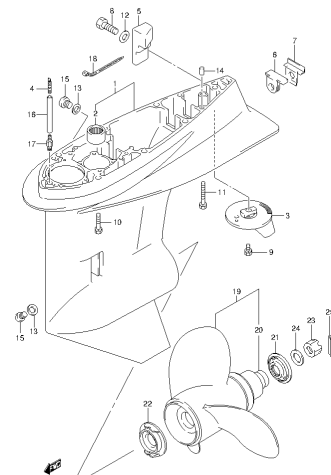
DF140A_E01_L013_057
DRIVE SHAFT HOUSING

FIG.58



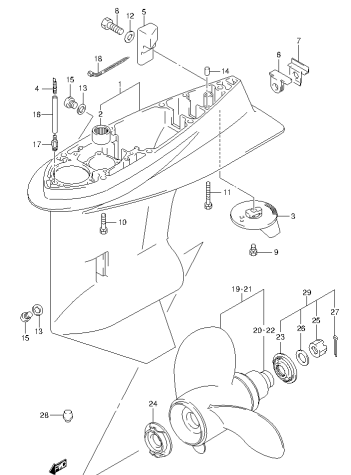
DF140A_E01_L013_058
GEAR CASE

FIG.59



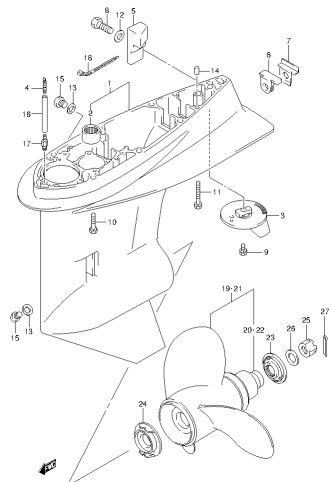
DF140A_E01_L013_059
GEAR CASE

FIG.60



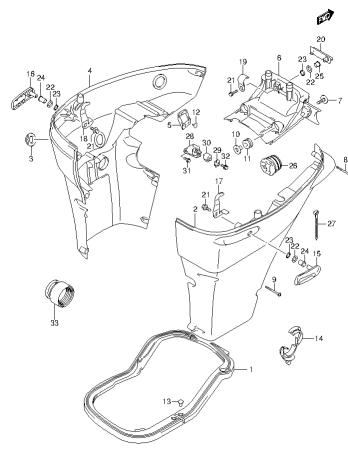
DF140A_E01_L013_060
GEAR CASE

FIG.61



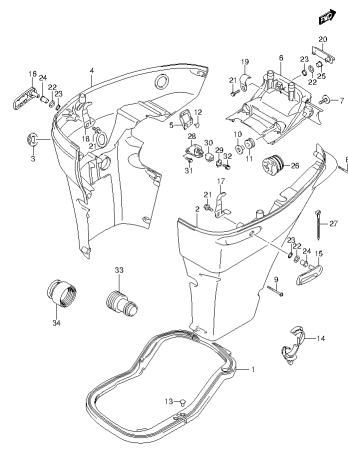
DF140A_E01_L013_061
GEAR CASE

FIG.62



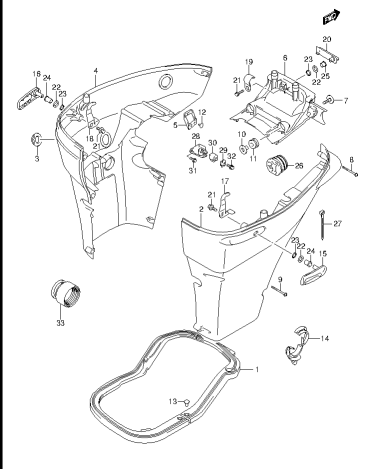
DF140A_E01_L013_062
SIDE COVER

FIG.63



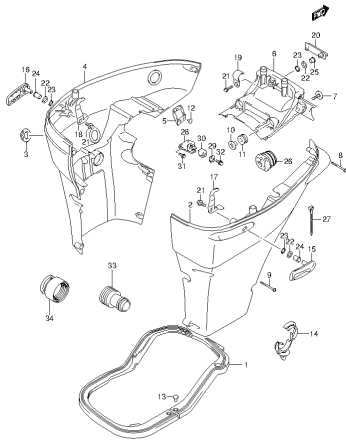
DF140A_E01_L013_063
SIDE COVER

FIG.64



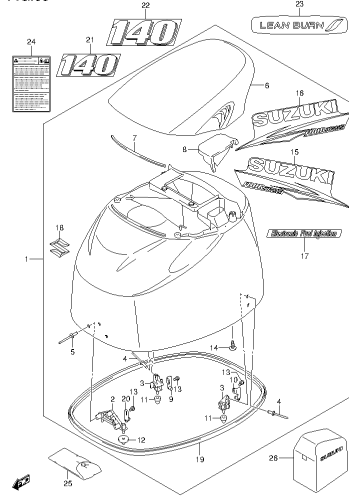
DF140A_E01_L013_064
SIDE COVER

FIG.65



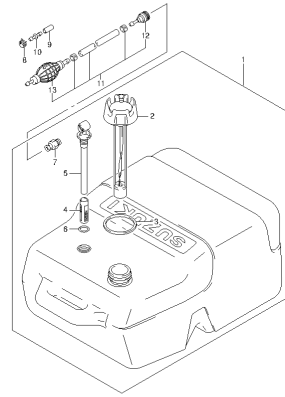
DF140A_E01_013_065
SIDE COVER

FIG.66



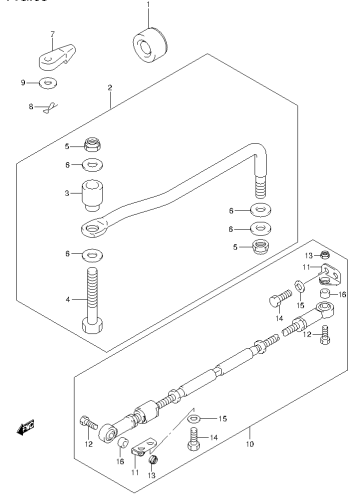
DF140A_E01_013_066
ENGINE COVER

FIG.67



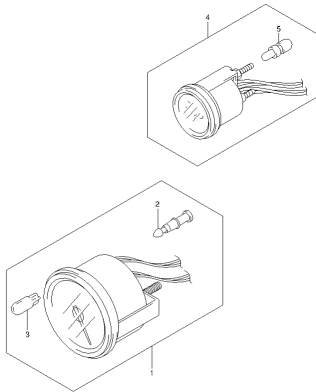
DF140A_E01_013_067
FUEL TANK

FIG.68



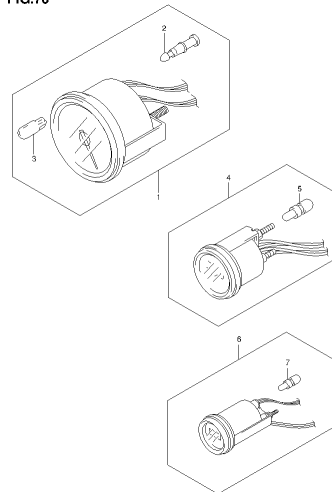
DF140A_E01_013_068
DRAG LINK

FIG.69



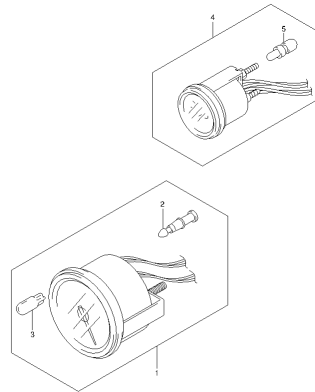
DF140A_E01_013_069
METER

FIG.70



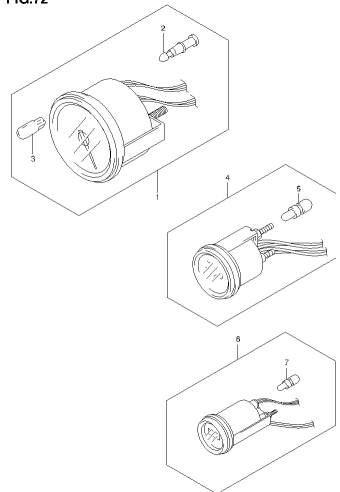
DF140A_E01_013_070
METER

FIG.71



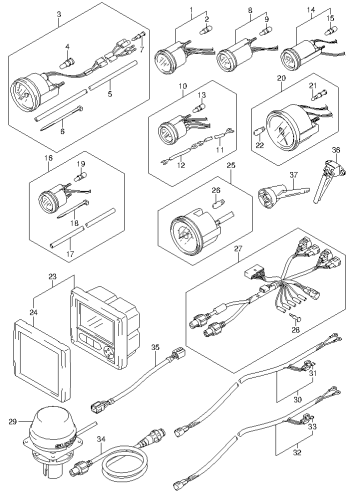
DF140A_E01_013_071
METER

FIG.72



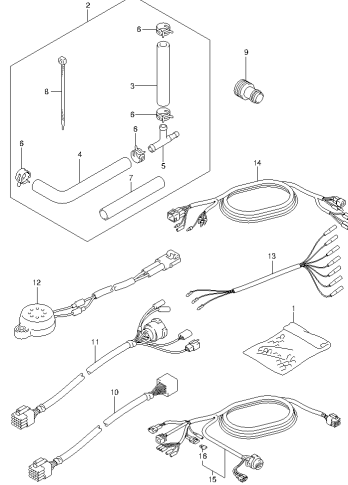
DF140A_E01_013_072
METER

FIG.73



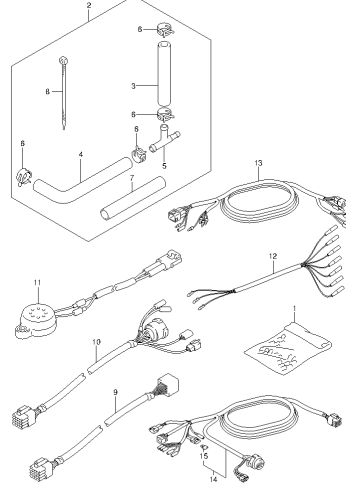
DF140A_E01_013_073
OPT.METER

FIG.74



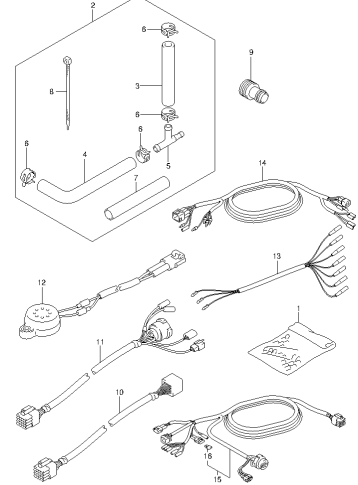
DF140A_E01_013_074
OPT.HARNES

FIG.75



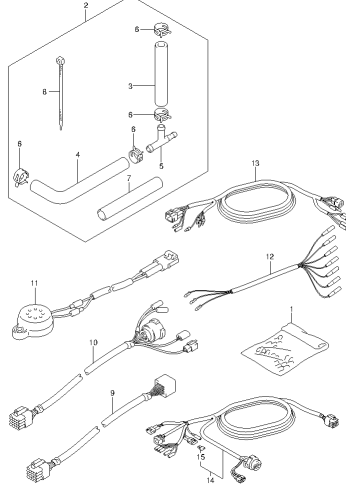
DF140A_E01_013_075
OPT.HARNES

FIG.76



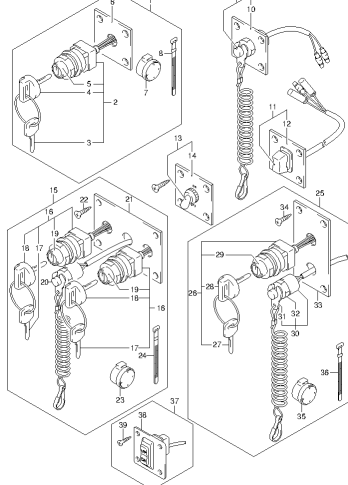
DF140A_E01_013_076
OPT.HARNES

FIG.77



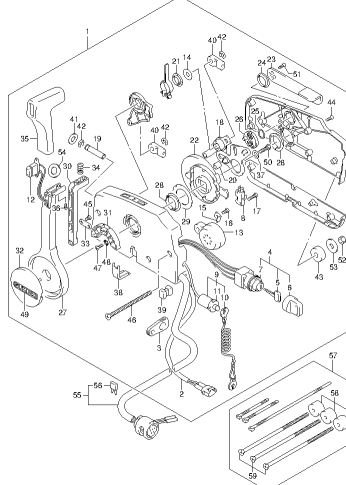
DF140A_E01_013_077
OPT.HARNES

FIG.78



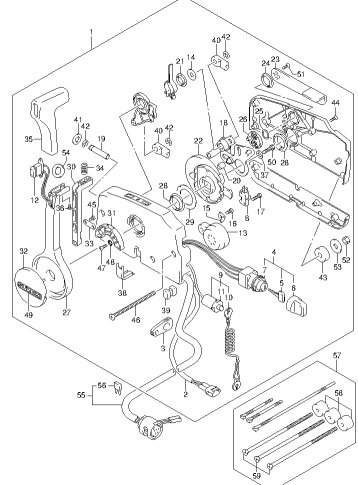
DF140A_E01_013_078
OPT.SWITCH

FIG.79



DF140A_E01_013_079
OPT.REMOTE CONTROL

FIG.80



DF140A_E01_013_080
OPT.REMOTE CONTROL

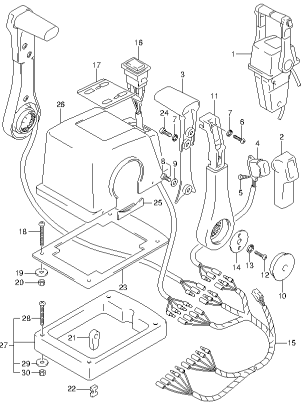
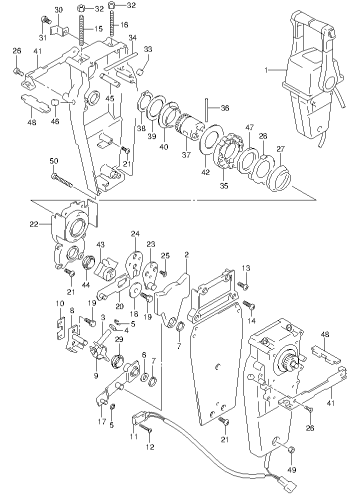
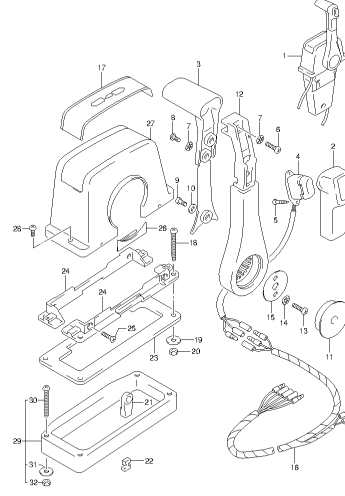
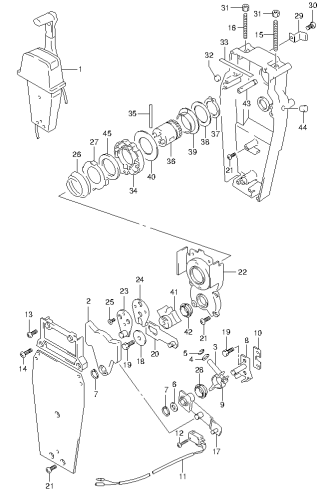
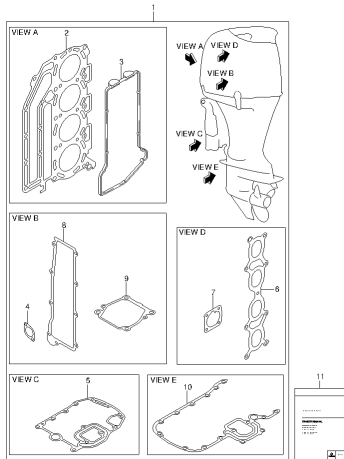
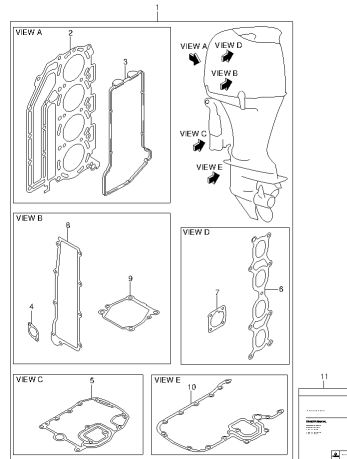
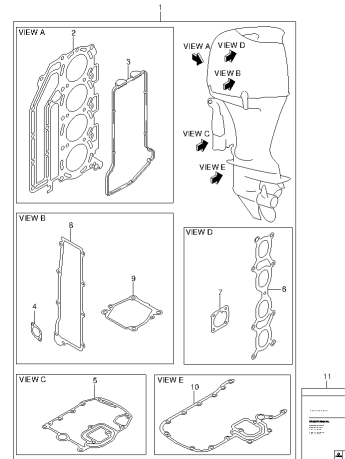
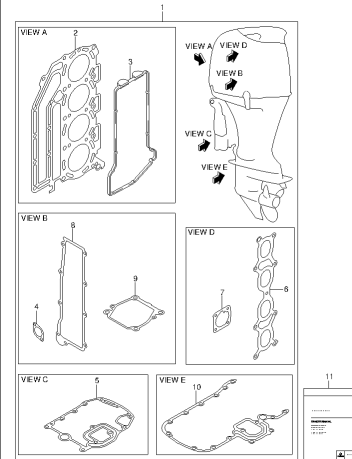
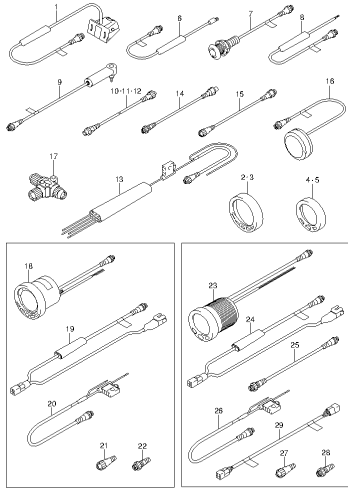
FIG.81DF140A_E01_013_061
OPT.REMOTE CONTROL ASSY DUAL (1)**FIG.82**DF140A_E01_013_062
OPT.REMOTE CONTROL ASSY DUAL (2)**FIG.83**DF140A_E01_013_063
OPT.REMOTE CONTROL ASSY SINGLE (1)**FIG.84**DF140A_E01_013_064
OPT.REMOTE CONTROL ASSY SINGLE (2)**FIG.85**DF140A_E01_013_065
OPT.GASKET SET**FIG.86**DF140A_E01_013_066
OPT.GASKET SET**FIG.87**DF140A_E01_013_067
OPT.GASKET SET**FIG.88**DF140A_E01_013_068
OPT.GASKET SET

FIG.89



DF1404_EB1_013_009
OFF FLOWRANCE GAUGE

FIG.1

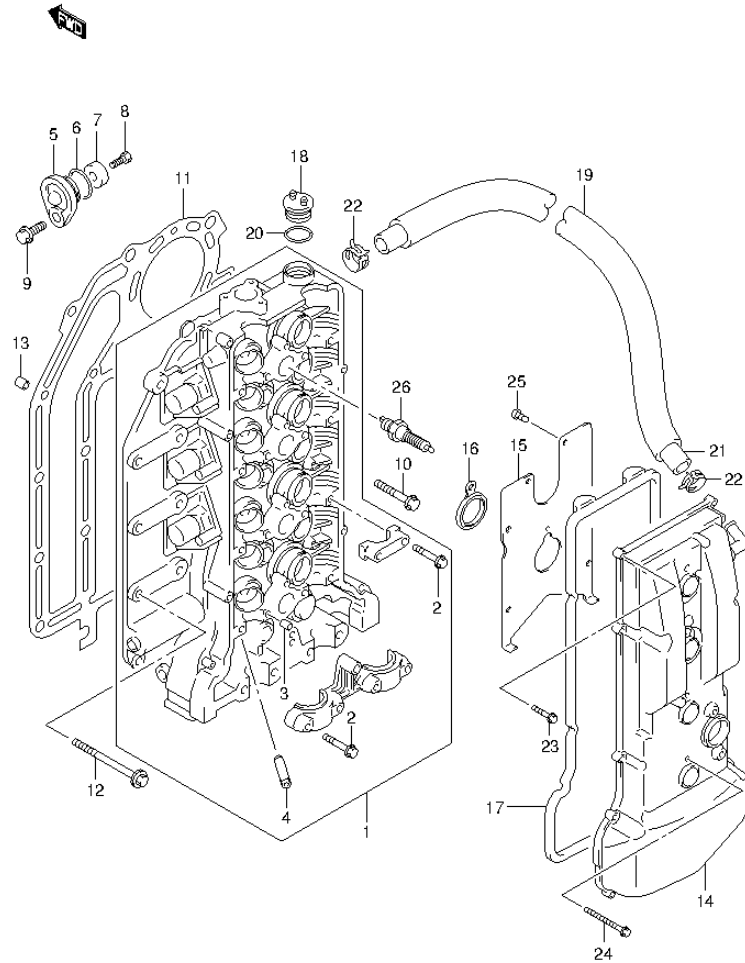


FIG.1 (1-B-2) CYLINDER HEAD

REF NO.	PART NO.	DESCRIPTION	Q'TY	REMARKS
1	11100-90J06	HEAD, CYLINDER	1	
2	09103-06266	.BOLT (6X40)	21	
3	09206-08001	.PIN (8X11)	18	
4	11115-85FA1-001	GUIDE, VALVE (OS)	16	OPT
5	11261-93J00	COVER, PROTECTION ANODE	2	
6	09280-22019	O RING (D:1.9, ID:21.8)	2	
7	55321-87J00	ANODE, PROTECTION	2	
8	09103-06281	BOLT (6X14)	2	
9	01550-08207	BOLT	2	
10	11117-89J00	BOLT, CYL HEAD	10	
11	11141-92J01	GASKET, CYL HEAD	1	
12	09116-08125	BOLT (8X50)	8	
13	04211-13189	PIN	2	
14	11170-90J10	COVER, CYLINDER HEAD	1	
15	11173-90J00	PLATE, BREATHER	1	
16	11179-90J00	GASKET, SPARK PLUG HOLE	4	
17	11189-90J00	GASKET, CYLINDER HEAD COVER	1	
18	11382-99E00	CAP, OIL FILLER	1	
19	18498-90J20	PROTECTOR, BREATHER HOSE	1	
20	09280-26006	O RING (D:3.1, ID:26.4)	1	
21	09355-13207-00B	HOSE (13X20X2000)	1	L:2000->660
22	09401-20409	CLIP	2	
23	01547-06257	BOLT	11	
24	01547-06557	BOLT	4	
25	02112-0612A	SCREW	7	
26	09482-00427	SPARK PLUG (NGK, BKR6E)	4	

FIG.2

FIG.2 (1-B-3) CYLINDER BLOCK

REF NO.	PART NO.	DESCRIPTION	Q'TY	REMARKS
1	11291-90J10	HOOK, ENGINE	1	
2	01550-12307	BOLT	2	
3	11300-92J30	BLOCK, CYLINDER	1	
4	11117-90J10	.BOLT, CRANKCASE	10	
5	11216-77E00	.GASKET, OIL GALLERY PLUG	3	
6	09248-18011	.PLUG (18X8)	3	
7	11330-90J00	.COVER, CRANKCASE WTR JKT	1	
8	11332-90J00	.O RING, CRKC WTR JKT COVER	1	
9	09206-13019	.PIN (10.4X13X16)	5	
10	01550-06207	.BOLT	8	
11	01550-08407	.BOLT	10	
12	11112-90J00	.PLUG, OIL VENTURI	1	
13	09246-05006	PLUG	1	

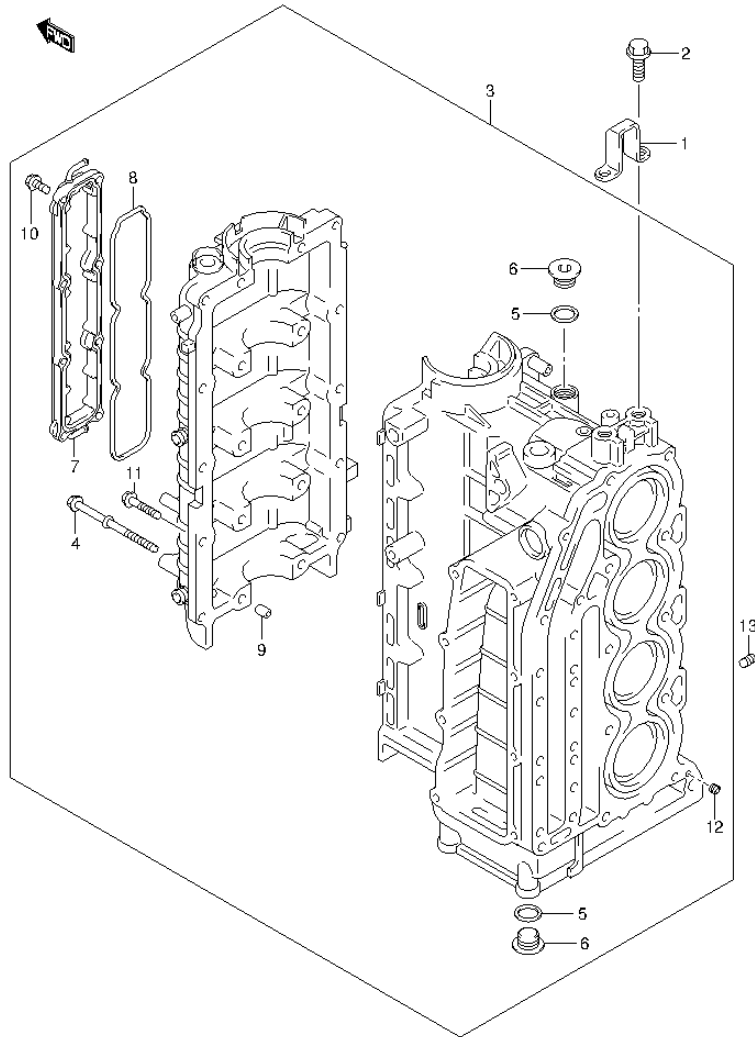


FIG.3

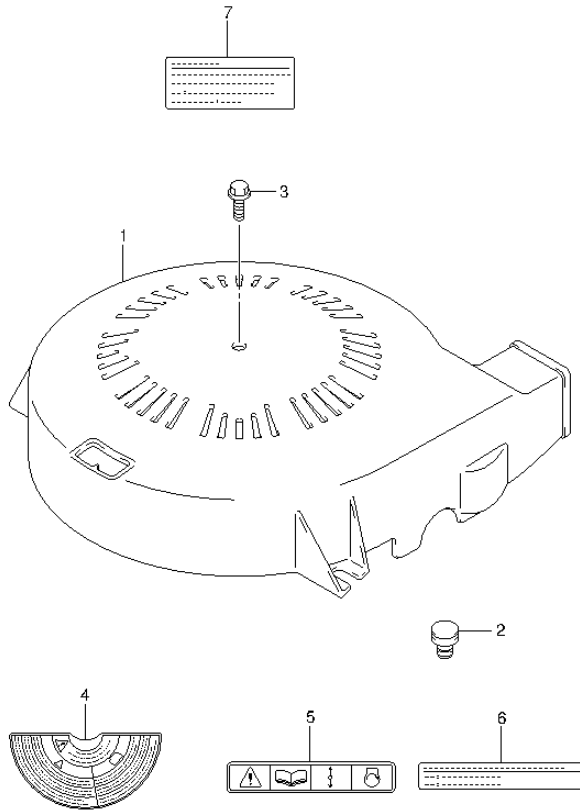


FIG.3 (1-B-4) RING GEAR COVER (DF140AT E01)

REF NO.	PART NO.	DESCRIPTION	Q'TY	REMARKS
1	11510-90J00	COVER, RING GEAR	1	
2	11512-99E00	CUSHION, RING GEAR COVER	2	
3	01550-06207	BOLT	1	
4	61472-93E40	LABEL, MAG COVER	1	
5	69711-93E10	LABEL, CAUTION	1	
6	61493-90J00	LABEL, CLEARANCE	1	
7	61494-90J00	LABEL, OIL	1	

FIG.4

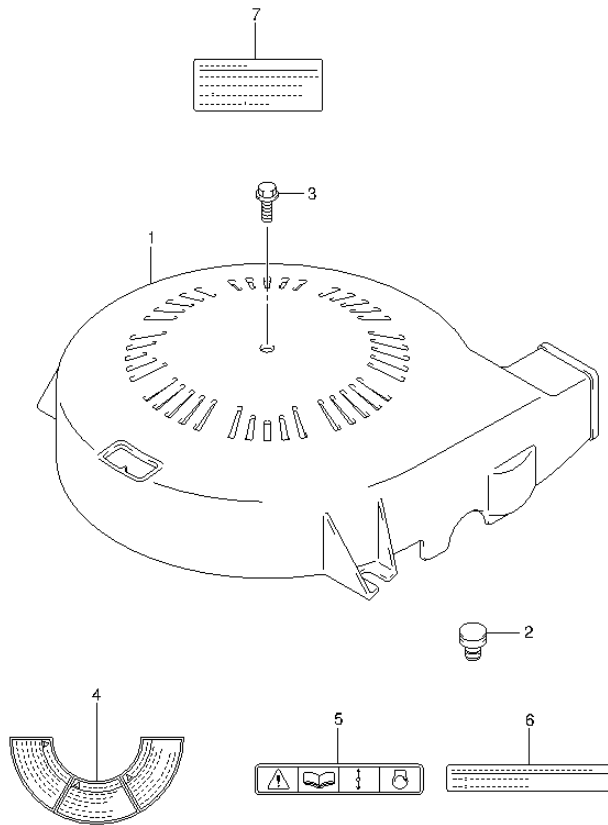


FIG.4 (1-B-5) RING GEAR COVER (DF140AT E40)

REF NO.	PART NO.	DESCRIPTION	Q'TY	REMARKS
1	11510-90J00	COVER, RING GEAR	1	
2	11512-99E00	CUSHION, RING GEAR COVER	2	
3	01550-06207	BOLT	1	
4	61472-93E32	LABEL, MAG COVER	1	
5	69711-93E10	LABEL, CAUTION	1	
6	61493-90J00	LABEL, CLEARANCE	1	
7	61494-90J00	LABEL, OIL	1	

FIG.5

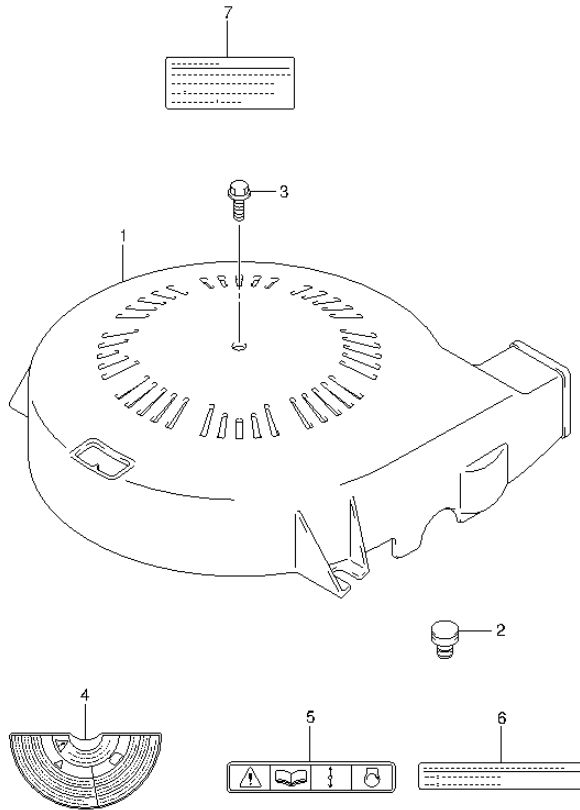


FIG.5 (1-B-6) RING GEAR COVER (DF140AZ E01)

REF NO.	PART NO.	DESCRIPTION	Q'TY	REMARKS
1	11510-90J00	COVER, RING GEAR	1	
2	11512-99E00	CUSHION, RING GEAR COVER	2	
3	01550-06207	BOLT	1	
4	61472-93E40	LABEL, MAG COVER	1	
5	69711-93E10	LABEL, CAUTION	1	
6	61493-90J00	LABEL, CLEARANCE	1	
7	61494-90J00	LABEL, OIL	1	

FIG.6

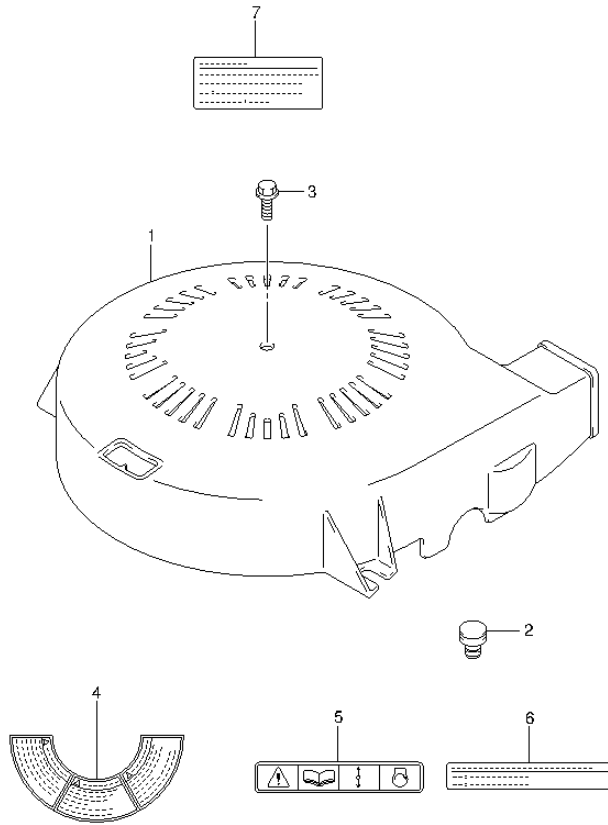


FIG.6 (1-B-7) RING GEAR COVER (DF140AZ E40)

REF NO.	PART NO.	DESCRIPTION	Q'TY	REMARKS
1	11510-90J00	COVER, RING GEAR	1	
2	11512-99E00	CUSHION, RING GEAR COVER	2	
3	01550-06207	BOLT	1	
4	61472-93E32	LABEL, MAG COVER	1	
5	69711-93E10	LABEL, CAUTION	1	
6	61493-90J00	LABEL, CLEARANCE	1	
7	61494-90J00	LABEL, OIL	1	

FIG.7

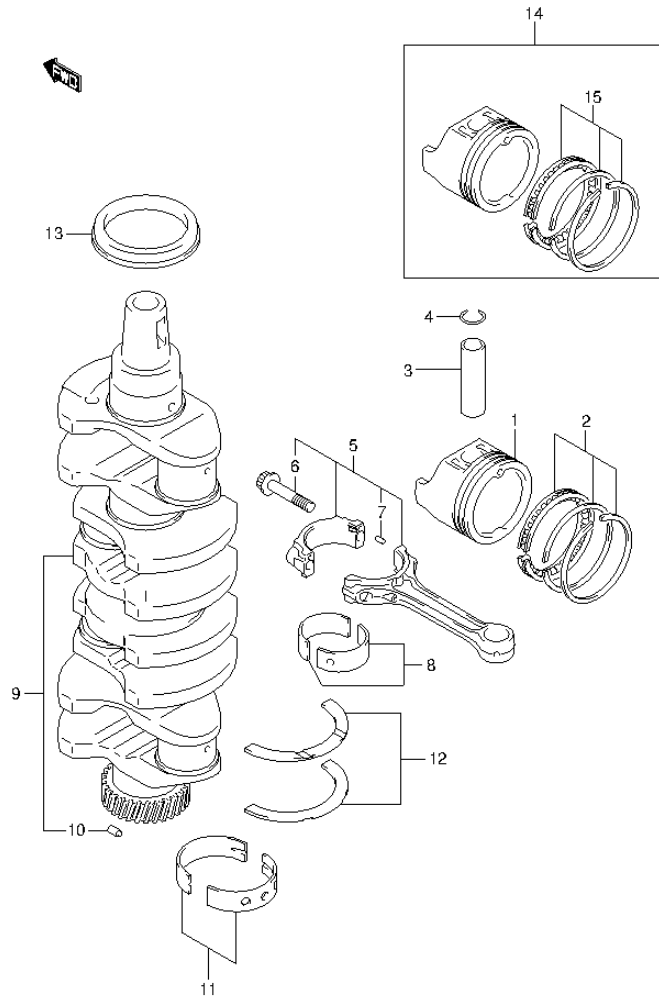


FIG.7 (1-B-8) CRANKSHAFT

REF NO.	PART NO.	DESCRIPTION	Q'TY	REMARKS
1	12111-92J00	PISTON	4	
2	12140-92J01	RING SET, PISTON	4	
3	12151-86FA0	PIN, PISTON	4	
4	09381-21002	CIRCLIP	8	
5	12160-92J10	CONNROD ASSY	4	
6	12163-35F00	.BOLT, CONNROD	8	
7	04221-04089	.PIN	8	
8-1	12100-92841-0A0	BEARING SET, CONNROD (GREEN)	4	
8-2	12100-92840-025	BEARING SET, CONNROD (US:0.25)	4	OPT
9	12220-92J00	CRANKSHAFT	1	
10	09202-05027	.PIN (5X8.8)	1	
11-1	12340-85FB3-0A0	BEARING SET, CRANKSHAFT	5	GREEN
11-2	12340-85FB3-0B0	BEARING SET, CRANKSHAFT	5	BLACK
11-3	12340-85FB3-0C0	BEARING SET, CRANKSHAFT	5	NON
11-4	12340-85FB3-0D0	BEARING SET, CRANKSHAFT	5	YELLOW
11-5	12340-85FB3-0E0	BEARING SET, CRANKSHAFT	5	BLUE
11-6	12300-85854-0AA	BEARING SET, CRANKSHAFT (US:0.25) (RED/GREEN)	5	OPT
11-7	12300-85854-0BA	BEARING SET, CRANKSHAFT (US:0.25) (RED/BLACK)	5	OPT
11-8	12300-85854-0CA	BEARING SET, CRANKSHAFT (US:0.25) (RED)	5	OPT
11-9	12300-85854-0DA	BEARING SET, CRANKSHAFT (US:0.25) (RED/YELLOW)	5	OPT
11-10	12300-85854-0EA	BEARING SET, CRANKSHAFT (US:0.25) (RED/BLUE)	5	OPT
12-1	12300-85830	BEARING SET, CRANK THRUST	1	
12-2	12300-85830-012	BEARING SET, CRANK THRUST (OS:0.12)	1	OPT
13	09283-52004	OIL SEAL (52X70X10)	1	
14	12100-92J01-050	PISTON SET (OS:0.50)	4	OPT
15	12140-92J01-050	.RING SET, PISTON (OS:0.50)	4	OPT

FIG.8

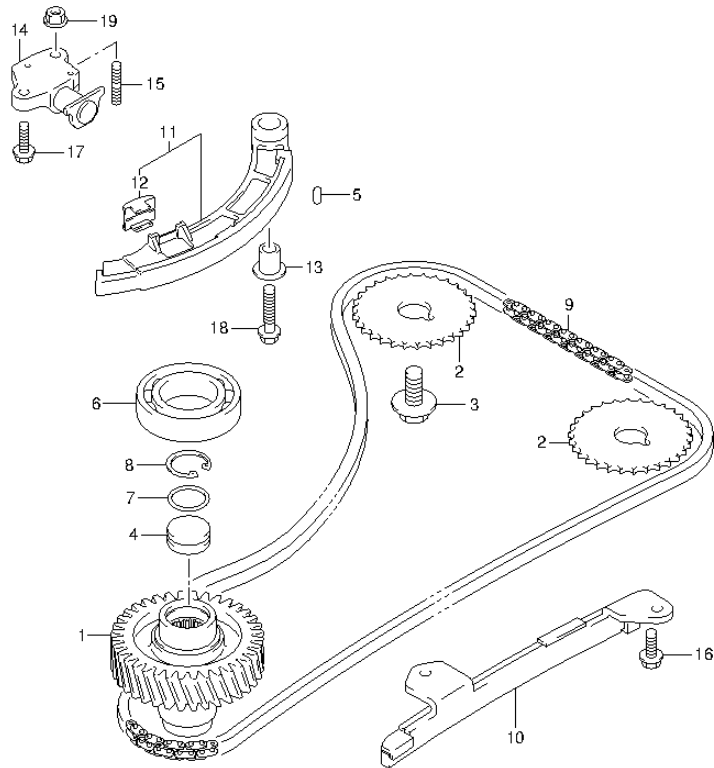


FIG.8 (1-B-9) TIMING CHAIN

REF NO.	PART NO.	DESCRIPTION	Q'TY	REMARKS
1	12732-90J00	GEAR, DRIVEN (NT:18)	1	
2	12741-90J01	SPROCKET, CAM SHAFT TIMING (NT:29)	2	
3	09103-12049	BOLT (12X25)	2	
4	12733-90J00	PLUG, DRIVEN GEAR	1	
5	04221-05109	PIN	2	
6	09262-35068	BEARING (35X62X14)	1	UPPER
7	09280-22022	O RING (D:1.9, ID:21.8)	1	
8	08331-41269	CIRCLIP	1	
9	12761-90J00	CHAIN, TIMING	1	
10	12771-90J00	GUIDE, TIMING CHAIN	1	
11	12810-90J00	TENSIONER, TIMING CHAIN	1	
12	12813-73G00	.PAD, TIMING CHAIN TENSIONER	1	
13	12812-90J00	SPACER, TIMING CHAIN TENSIONER	1	
14	12831-90J02	ADJUSTER, TENSIONER	1	
15	01421-0616A	STUD BOLT	1	
16	01550-0616A	BOLT	2	
17	01550-0620A	BOLT	1	
18	01550-0835A	BOLT	1	
19	08316-1006A	NUT	1	

FIG.9

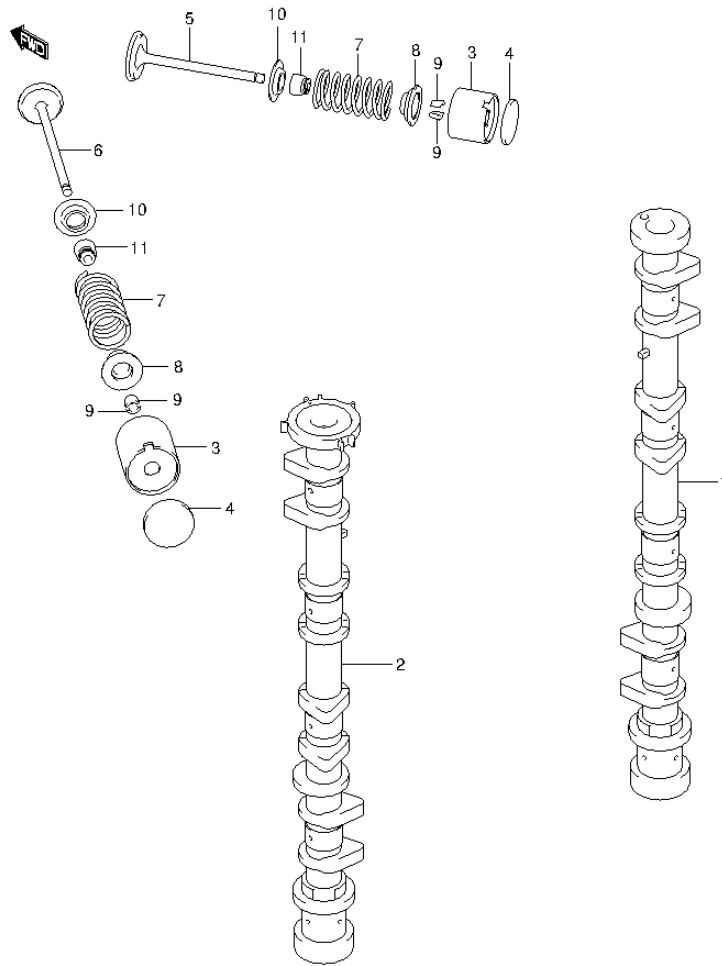


FIG.9 (1-B-10) CAMSHAFT (DF140AT E01)

REF NO.	PART NO.	DESCRIPTION	Q'TY	REMARKS
1	12711-92J00	CAMSHAFT, INTAKE	1	
2	12720-92J10	CAMSHAFT, EXHAUST	1	
3	12891-69G00	TAPPET	16	
4-1	12892-69G10-218	SHIM, TAPPET (T:2.175)	AR	
4-2	12892-69G10-220	SHIM, TAPPET (T:2.200)	AR	
4-3	12892-69G10-223	SHIM, TAPPET (T:2.225)	AR	
4-4	12892-69G10-225	SHIM, TAPPET (T:2.250)	AR	
4-5	12892-69G10-228	SHIM, TAPPET (T:2.275)	AR	
4-6	12892-69G10-230	SHIM, TAPPET (T:2.300)	AR	
4-7	12892-69G10-233	SHIM, TAPPET (T:2.325)	AR	
4-8	12892-69G10-235	SHIM, TAPPET (T:2.350)	AR	
4-9	12892-69G10-238	SHIM, TAPPET (T:2.375)	AR	
4-10	12892-69G10-240	SHIM, TAPPET (T:2.400)	AR	
4-11	12892-69G10-243	SHIM, TAPPET (T:2.425)	AR	
4-12	12892-69G10-245	SHIM, TAPPET (T:2.450)	AR	
4-13	12892-69G10-248	SHIM, TAPPET (T:2.475)	AR	
4-14	12892-69G10-250	SHIM, TAPPET (T:2.500)	AR	
4-15	12892-69G10-253	SHIM, TAPPET (T:2.525)	AR	
4-16	12892-69G10-255	SHIM, TAPPET (T:2.550)	AR	
4-17	12892-69G10-258	SHIM, TAPPET (T:2.575)	AR	
4-18	12892-69G10-260	SHIM, TAPPET (T:2.600)	AR	
4-19	12892-69G10-263	SHIM, TAPPET (T:2.625)	AR	
4-20	12892-69G10-265	SHIM, TAPPET (T:2.650)	AR	
4-21	12892-69G10-268	SHIM, TAPPET (T:2.675)	AR	
4-22	12892-69G10-270	SHIM, TAPPET (T:2.700)	AR	
4-23	12892-69G10-273	SHIM, TAPPET (T:2.725)	AR	
4-24	12892-69G10-275	SHIM, TAPPET (T:2.750)	AR	
4-25	12892-69G10-278	SHIM, TAPPET (T:2.775)	AR	
4-26	12892-69G10-280	SHIM, TAPPET (T:2.800)	AR	
4-27	12892-69G10-283	SHIM, TAPPET (T:2.825)	AR	
4-28	12892-69G10-285	SHIM, TAPPET (T:2.850)	AR	
4-29	12892-69G10-288	SHIM, TAPPET (T:2.875)	AR	
4-30	12892-69G10-290	SHIM, TAPPET (T:2.900)	AR	
4-31	12892-69G10-293	SHIM, TAPPET (T:2.925)	AR	

FIG.9

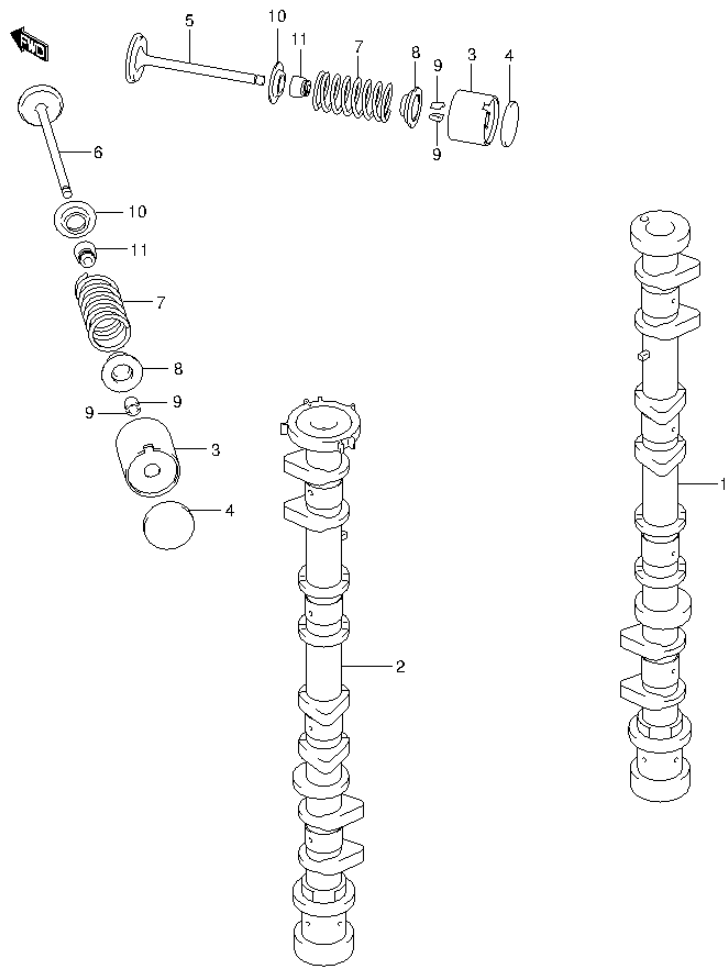


FIG.9 (1-B-11) CAMSHAFT (DF140AT E01)

REF NO.	PART NO.	DESCRIPTION	Q'TY	REMARKS
4-32	12892-69G10-295	SHIM, TAPPET (T:2.950)	AR	
4-33	12892-69G10-298	SHIM, TAPPET (T:2.975)	AR	
4-34	12892-69G10-300	SHIM, TAPPET (T:3.000)	AR	
5	12911-86FA1	VALVE, INTAKE	8	
6	12915-86FA1	VALVE, EXHAUST	8	
7	12921-90J00	SPRING, VALVE	16	
8	12931-90J00	RETAINER, VALVE SPRING	16	
9	12932-85FA0	COTTER, VALVE	32	
10	12933-86510	SEAT, VALVE SPRING	16	
11	09289-06003	OIL SEAL (6X12.8X10.2)	16	

FIG.10

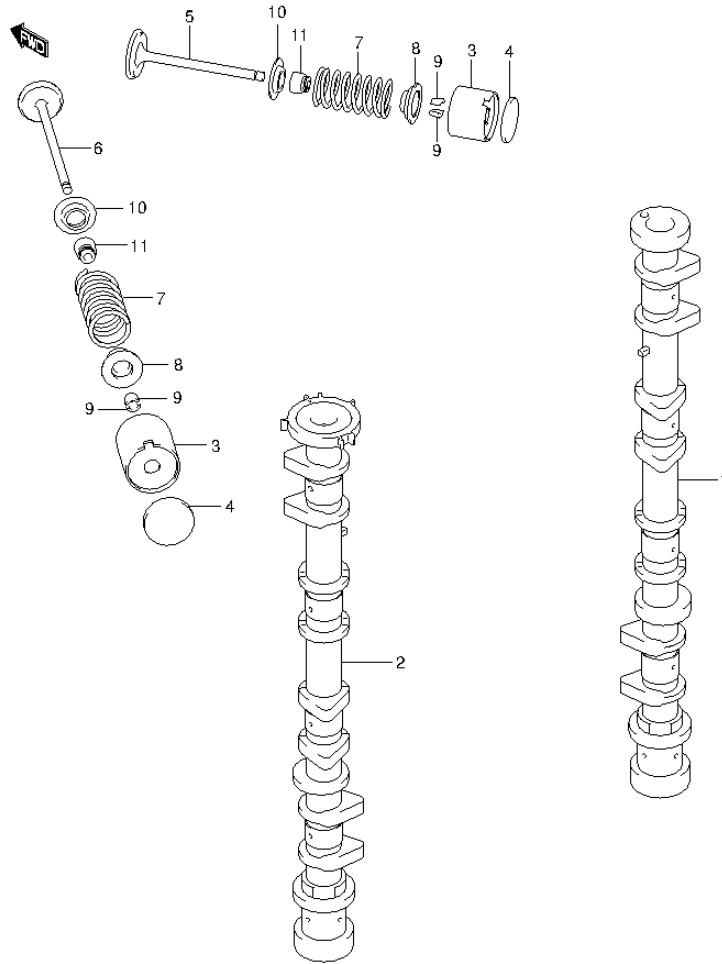


FIG.10 (1-B-12) CAMSHAFT (DF140AT E40)

REF NO.	PART NO.	DESCRIPTION	Q'TY	REMARKS
1	12711-92J00	CAMSHAFT, INTAKE	1	
2	12720-92J10	CAMSHAFT, EXHAUST	1	
3	12891-69G00	TAPPET	16	
4-1	12892-69G10-218	SHIM, TAPPET (T:2.175)	AR	
4-2	12892-69G10-220	SHIM, TAPPET (T:2.200)	AR	
4-3	12892-69G10-223	SHIM, TAPPET (T:2.225)	AR	
4-4	12892-69G10-225	SHIM, TAPPET (T:2.250)	AR	
4-5	12892-69G10-228	SHIM, TAPPET (T:2.275)	AR	
4-6	12892-69G10-230	SHIM, TAPPET (T:2.300)	AR	
4-7	12892-69G10-233	SHIM, TAPPET (T:2.325)	AR	
4-8	12892-69G10-235	SHIM, TAPPET (T:2.350)	AR	
4-9	12892-69G10-238	SHIM, TAPPET (T:2.375)	AR	
4-10	12892-69G10-240	SHIM, TAPPET (T:2.400)	AR	
4-11	12892-69G10-243	SHIM, TAPPET (T:2.425)	AR	
4-12	12892-69G10-245	SHIM, TAPPET (T:2.450)	AR	
4-13	12892-69G10-248	SHIM, TAPPET (T:2.475)	AR	
4-14	12892-69G10-250	SHIM, TAPPET (T:2.500)	AR	
4-15	12892-69G10-253	SHIM, TAPPET (T:2.525)	AR	
4-16	12892-69G10-255	SHIM, TAPPET (T:2.550)	AR	
4-17	12892-69G10-258	SHIM, TAPPET (T:2.575)	AR	
4-18	12892-69G10-260	SHIM, TAPPET (T:2.600)	AR	
4-19	12892-69G10-263	SHIM, TAPPET (T:2.625)	AR	
4-20	12892-69G10-265	SHIM, TAPPET (T:2.650)	AR	
4-21	12892-69G10-268	SHIM, TAPPET (T:2.675)	AR	
4-22	12892-69G10-270	SHIM, TAPPET (T:2.700)	AR	
4-23	12892-69G10-273	SHIM, TAPPET (T:2.725)	AR	
4-24	12892-69G10-275	SHIM, TAPPET (T:2.750)	AR	
4-25	12892-69G10-278	SHIM, TAPPET (T:2.775)	AR	
4-26	12892-69G10-280	SHIM, TAPPET (T:2.800)	AR	
4-27	12892-69G10-283	SHIM, TAPPET (T:2.825)	AR	
4-28	12892-69G10-285	SHIM, TAPPET (T:2.850)	AR	
4-29	12892-69G10-288	SHIM, TAPPET (T:2.875)	AR	
4-30	12892-69G10-290	SHIM, TAPPET (T:2.900)	AR	
4-31	12892-69G10-293	SHIM, TAPPET (T:2.925)	AR	

FIG.10

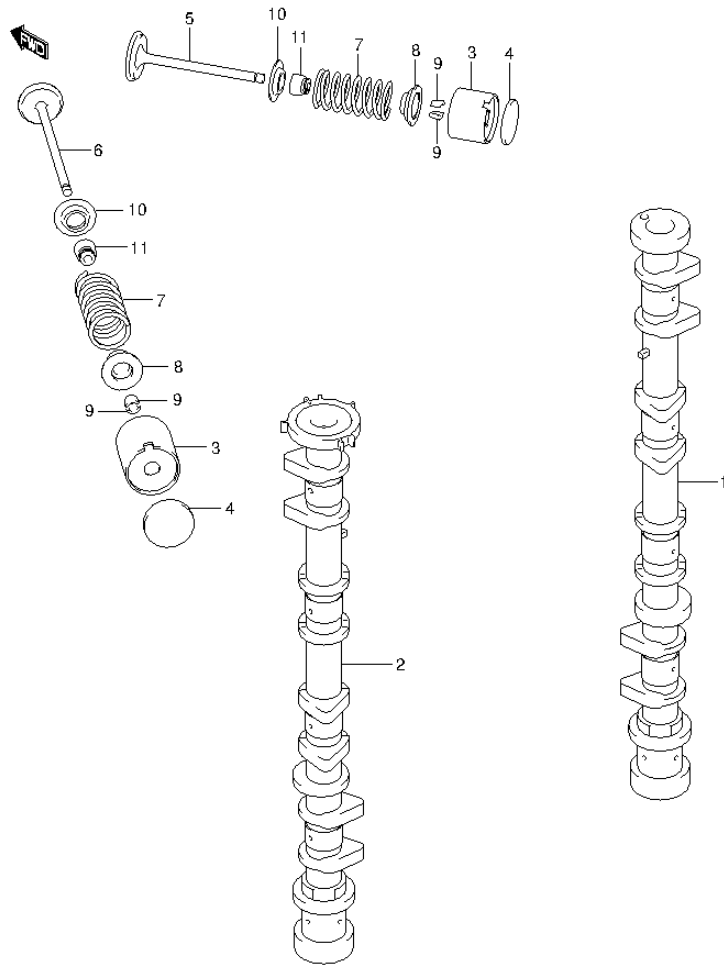


FIG.10 (1-B-13) CAMSHAFT (DF140AT E40)

REF NO.	PART NO.	DESCRIPTION	Q'TY	REMARKS
4-32	12892-69G10-295	SHIM, TAPPET (T:2.950)	AR	
4-33	12892-69G10-298	SHIM, TAPPET (T:2.975)	AR	
4-34	12892-69G10-300	SHIM, TAPPET (T:3.000)	AR	
5	12911-86FA1	VALVE, INTAKE	8	
6	12915-86F50	VALVE, EXHAUST	8	
7	12921-90J00	SPRING, VALVE	16	
8	12931-90J00	RETAINER, VALVE SPRING	16	
9	12932-85FA0	COTTER, VALVE	32	
10	12933-86510	SEAT, VALVE SPRING	16	
11	09289-06003	OIL SEAL (6X12.8X10.2)	16	

FIG.11

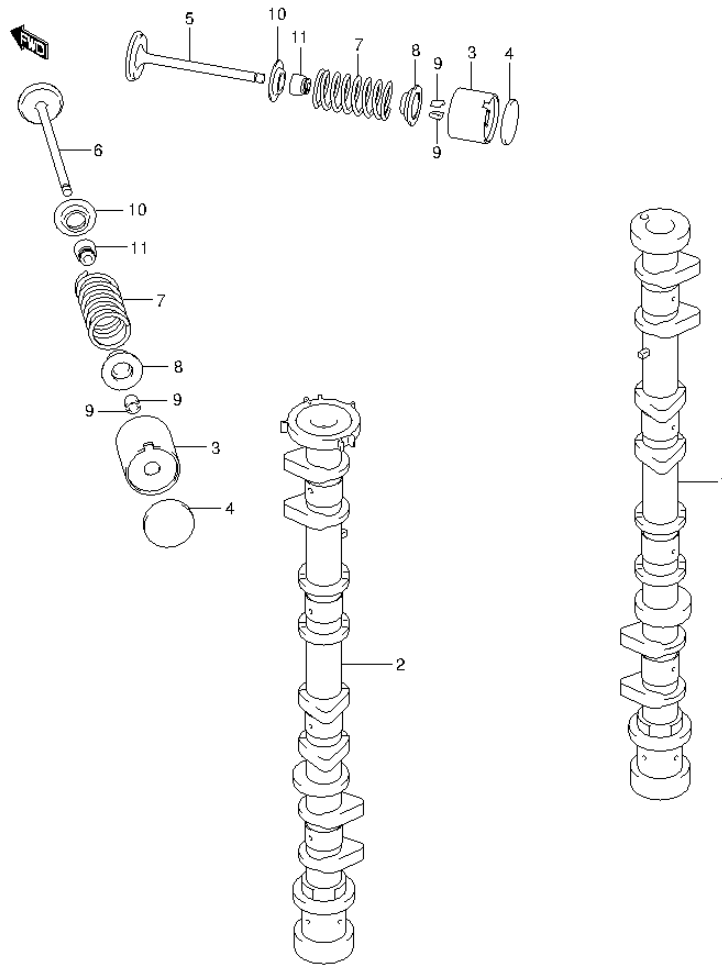


FIG.11 (1-B-14) CAMSHAFT (DF140AZ E01)

REF NO.	PART NO.	DESCRIPTION	Q'TY	REMARKS
1	12711-92J00	CAMSHAFT, INTAKE	1	
2	12720-92J10	CAMSHAFT, EXHAUST	1	
3	12891-69G00	TAPPET	16	
4-1	12892-69G10-218	SHIM, TAPPET (T:2.175)	AR	
4-2	12892-69G10-220	SHIM, TAPPET (T:2.200)	AR	
4-3	12892-69G10-223	SHIM, TAPPET (T:2.225)	AR	
4-4	12892-69G10-225	SHIM, TAPPET (T:2.250)	AR	
4-5	12892-69G10-228	SHIM, TAPPET (T:2.275)	AR	
4-6	12892-69G10-230	SHIM, TAPPET (T:2.300)	AR	
4-7	12892-69G10-233	SHIM, TAPPET (T:2.325)	AR	
4-8	12892-69G10-235	SHIM, TAPPET (T:2.350)	AR	
4-9	12892-69G10-238	SHIM, TAPPET (T:2.375)	AR	
4-10	12892-69G10-240	SHIM, TAPPET (T:2.400)	AR	
4-11	12892-69G10-243	SHIM, TAPPET (T:2.425)	AR	
4-12	12892-69G10-245	SHIM, TAPPET (T:2.450)	AR	
4-13	12892-69G10-248	SHIM, TAPPET (T:2.475)	AR	
4-14	12892-69G10-250	SHIM, TAPPET (T:2.500)	AR	
4-15	12892-69G10-253	SHIM, TAPPET (T:2.525)	AR	
4-16	12892-69G10-255	SHIM, TAPPET (T:2.550)	AR	
4-17	12892-69G10-258	SHIM, TAPPET (T:2.575)	AR	
4-18	12892-69G10-260	SHIM, TAPPET (T:2.600)	AR	
4-19	12892-69G10-263	SHIM, TAPPET (T:2.625)	AR	
4-20	12892-69G10-265	SHIM, TAPPET (T:2.650)	AR	
4-21	12892-69G10-268	SHIM, TAPPET (T:2.675)	AR	
4-22	12892-69G10-270	SHIM, TAPPET (T:2.700)	AR	
4-23	12892-69G10-273	SHIM, TAPPET (T:2.725)	AR	
4-24	12892-69G10-275	SHIM, TAPPET (T:2.750)	AR	
4-25	12892-69G10-278	SHIM, TAPPET (T:2.775)	AR	
4-26	12892-69G10-280	SHIM, TAPPET (T:2.800)	AR	
4-27	12892-69G10-283	SHIM, TAPPET (T:2.825)	AR	
4-28	12892-69G10-285	SHIM, TAPPET (T:2.850)	AR	
4-29	12892-69G10-288	SHIM, TAPPET (T:2.875)	AR	
4-30	12892-69G10-290	SHIM, TAPPET (T:2.900)	AR	
4-31	12892-69G10-293	SHIM, TAPPET (T:2.925)	AR	

FIG.11

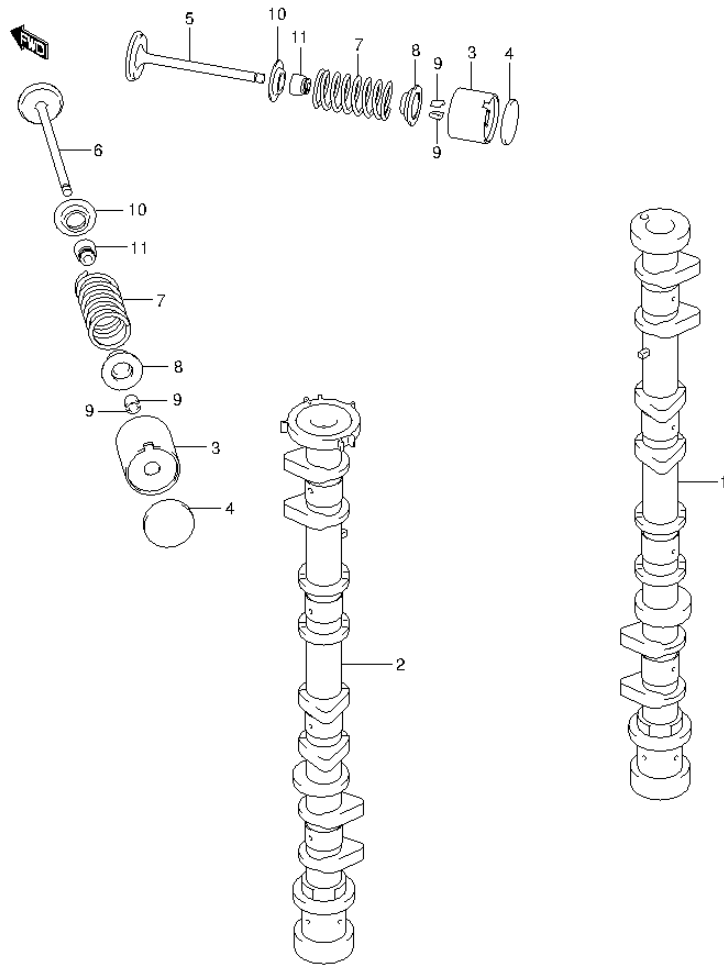


FIG.11 (1-B-15) CAMSHAFT (DF140AZ E01)

REF NO.	PART NO.	DESCRIPTION	Q'TY	REMARKS
4-32	12892-69G10-295	SHIM, TAPPET (T:2.950)	AR	
4-33	12892-69G10-298	SHIM, TAPPET (T:2.975)	AR	
4-34	12892-69G10-300	SHIM, TAPPET (T:3.000)	AR	
5	12911-86FA1	VALVE, INTAKE	8	
6	12915-86FA1	VALVE, EXHAUST	8	
7	12921-90J00	SPRING, VALVE	16	
8	12931-90J00	RETAINER, VALVE SPRING	16	
9	12932-85FA0	COTTER, VALVE	32	
10	12933-86510	SEAT, VALVE SPRING	16	
11	09289-06003	OIL SEAL (6X12.8X10.2)	16	

FIG.12

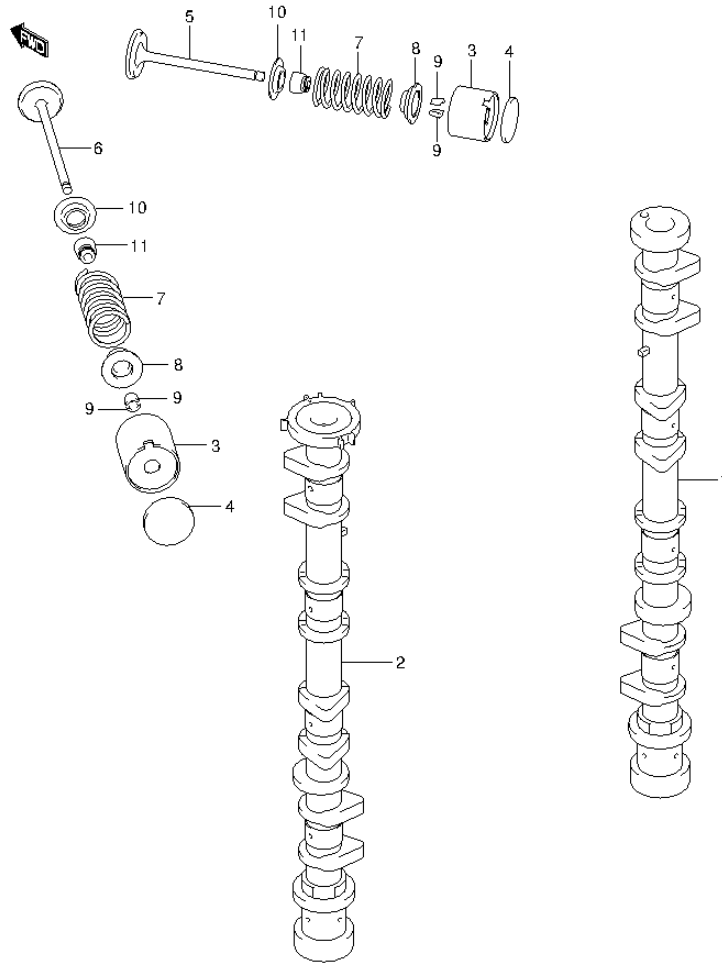


FIG.12 (1-C-2) CAMSHAFT (DF140AZ E40)

REF NO.	PART NO.	DESCRIPTION	Q'TY	REMARKS
1	12711-92J00	CAMSHAFT, INTAKE	1	
2	12720-92J10	CAMSHAFT, EXHAUST	1	
3	12891-69G00	TAPPET	16	
4-1	12892-69G10-218	SHIM, TAPPET (T:2.175)	AR	
4-2	12892-69G10-220	SHIM, TAPPET (T:2.200)	AR	
4-3	12892-69G10-223	SHIM, TAPPET (T:2.225)	AR	
4-4	12892-69G10-225	SHIM, TAPPET (T:2.250)	AR	
4-5	12892-69G10-228	SHIM, TAPPET (T:2.275)	AR	
4-6	12892-69G10-230	SHIM, TAPPET (T:2.300)	AR	
4-7	12892-69G10-233	SHIM, TAPPET (T:2.325)	AR	
4-8	12892-69G10-235	SHIM, TAPPET (T:2.350)	AR	
4-9	12892-69G10-238	SHIM, TAPPET (T:2.375)	AR	
4-10	12892-69G10-240	SHIM, TAPPET (T:2.400)	AR	
4-11	12892-69G10-243	SHIM, TAPPET (T:2.425)	AR	
4-12	12892-69G10-245	SHIM, TAPPET (T:2.450)	AR	
4-13	12892-69G10-248	SHIM, TAPPET (T:2.475)	AR	
4-14	12892-69G10-250	SHIM, TAPPET (T:2.500)	AR	
4-15	12892-69G10-253	SHIM, TAPPET (T:2.525)	AR	
4-16	12892-69G10-255	SHIM, TAPPET (T:2.550)	AR	
4-17	12892-69G10-258	SHIM, TAPPET (T:2.575)	AR	
4-18	12892-69G10-260	SHIM, TAPPET (T:2.600)	AR	
4-19	12892-69G10-263	SHIM, TAPPET (T:2.625)	AR	
4-20	12892-69G10-265	SHIM, TAPPET (T:2.650)	AR	
4-21	12892-69G10-268	SHIM, TAPPET (T:2.675)	AR	
4-22	12892-69G10-270	SHIM, TAPPET (T:2.700)	AR	
4-23	12892-69G10-273	SHIM, TAPPET (T:2.725)	AR	
4-24	12892-69G10-275	SHIM, TAPPET (T:2.750)	AR	
4-25	12892-69G10-278	SHIM, TAPPET (T:2.775)	AR	
4-26	12892-69G10-280	SHIM, TAPPET (T:2.800)	AR	
4-27	12892-69G10-283	SHIM, TAPPET (T:2.825)	AR	
4-28	12892-69G10-285	SHIM, TAPPET (T:2.850)	AR	
4-29	12892-69G10-288	SHIM, TAPPET (T:2.875)	AR	
4-30	12892-69G10-290	SHIM, TAPPET (T:2.900)	AR	
4-31	12892-69G10-293	SHIM, TAPPET (T:2.925)	AR	

FIG.12

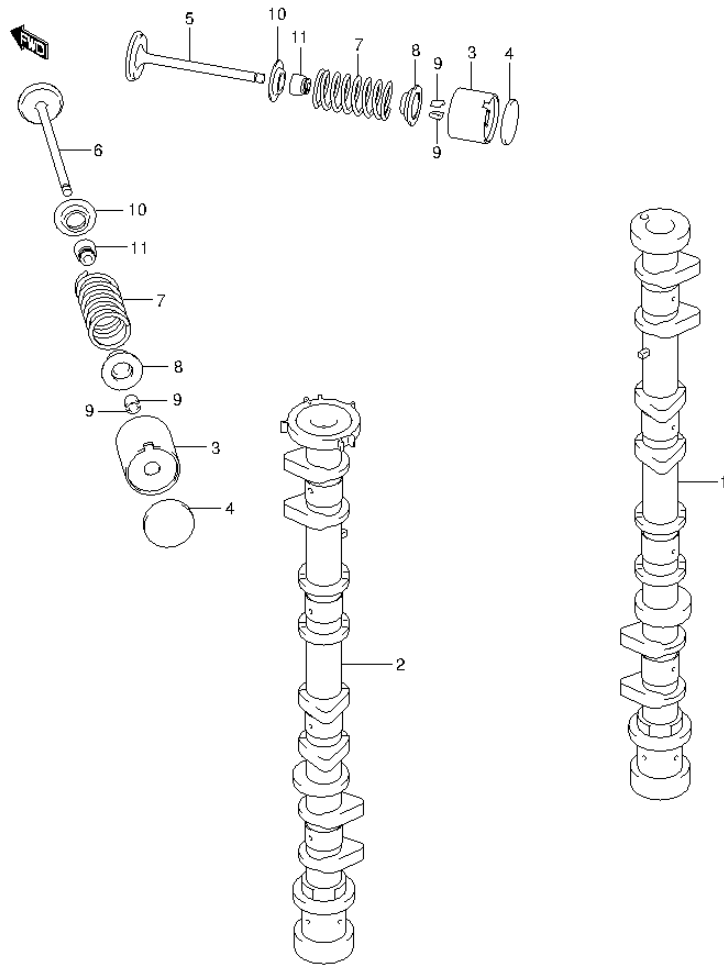


FIG.12 (1-C-3) CAMSHAFT (DF140AZ E40)

REF NO.	PART NO.	DESCRIPTION	Q'TY	REMARKS
4-32	12892-69G10-295	SHIM, TAPPET (T:2.950)	AR	
4-33	12892-69G10-298	SHIM, TAPPET (T:2.975)	AR	
4-34	12892-69G10-300	SHIM, TAPPET (T:3.000)	AR	
5	12911-86FA1	VALVE, INTAKE	8	
6	12915-86F50	VALVE, EXHAUST	8	
7	12921-90J00	SPRING, VALVE	16	
8	12931-90J00	RETAINER, VALVE SPRING	16	
9	12932-85FA0	COTTER, VALVE	32	
10	12933-86510	SEAT, VALVE SPRING	16	
11	09289-06003	OIL SEAL (6X12.8X10.2)	16	

FIG.13

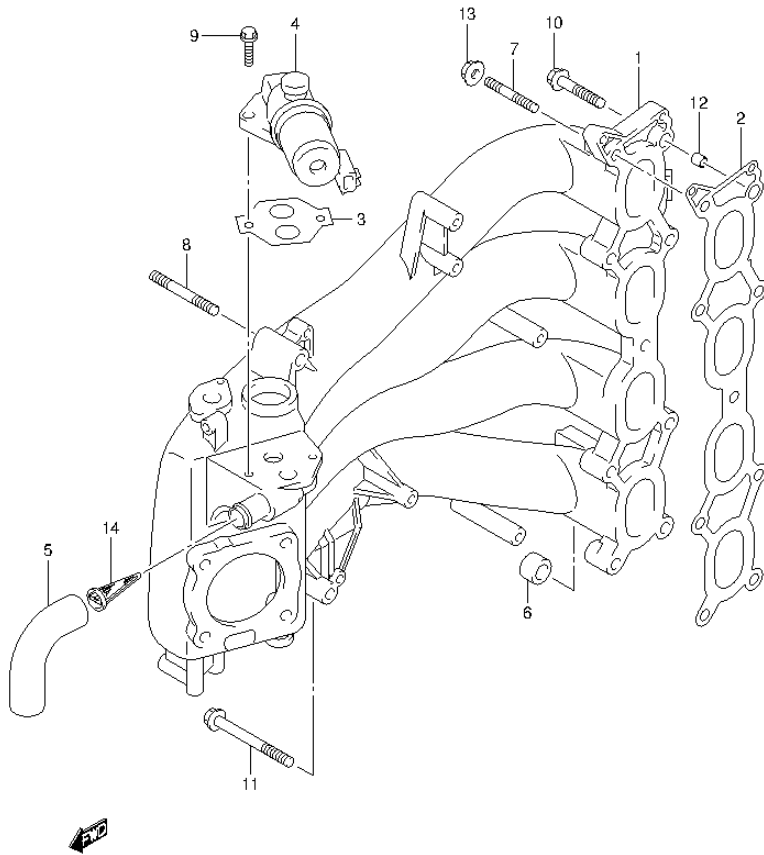


FIG.13 (1-C-4) INTAKE MANIFOLD

REF NO.	PART NO.	DESCRIPTION	Q'TY	REMARKS
1	13110-90J10	MANIFOLD, INTAKE	1	
2	13119-90J00	GASKET, INTAKE MANIFOLD	1	
3	18134-77E00	GASKET, IAC VALVE	1	
4	18137-77E00	VALVE, IAC	1	
5	18141-90J00	HOSE, IAC	1	
6	09329-12004	CUSHION	1	
7	01421-08357	STUD BOLT	1	
8	01421-08507	STUD BOLT	1	
9	01550-06207	BOLT	2	
10	01550-08407	BOLT	8	
11	01550-08757	BOLT	1	
12	04211-11129	PIN	2	
13	08316-10087	NUT	2	
14	18148-90J00	FILTER, IAC HOSE	1	

FIG.14

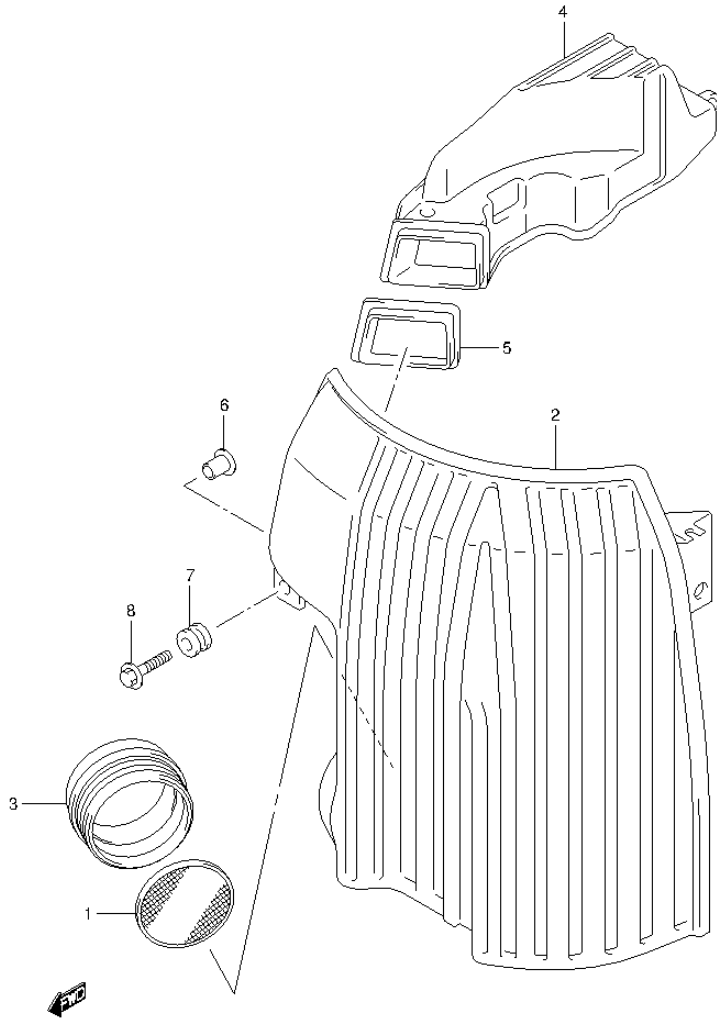


FIG.14 (1-C-5) SILENCER

REF NO.	PART NO.	DESCRIPTION	Q'TY	REMARKS
1	13710-99E00	ARRESTER, FLAME	1	
2	13810-90J01	SILENCER	1	
3	13813-92J00	HOLDER, FLAME ARRESTER	1	
4	13840-90J00	DUCT, SILENCER	1	
5	13851-90J00	GROMMET, SILENCER	1	
6	09169-06075	WASHER	5	
7	09320-09039	CUSHION	5	
8	09116-06215	BOLT (6X30)	5	

FIG.15

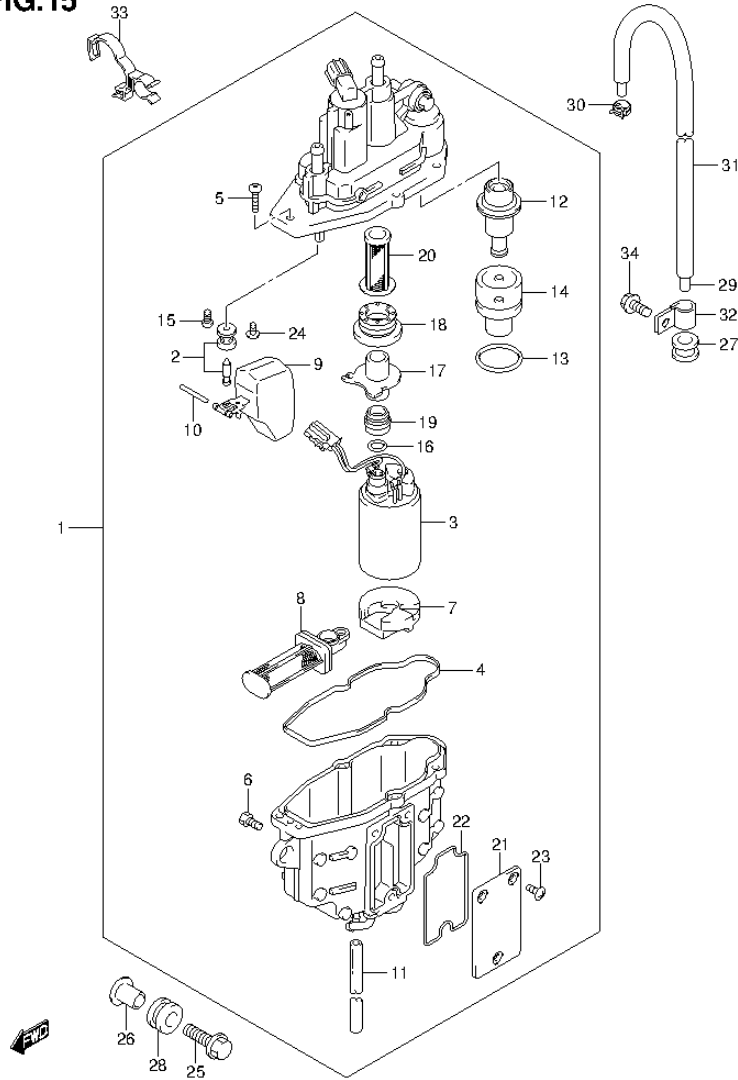


FIG.15 (1-C-6) FUEL VAPOR SEPARATOR (DF140AT E01)

REF NO.	PART NO.	DESCRIPTION	Q'TY	REMARKS
1	15600-92J00	SEPARATOR ASSY, FUEL VAPOR	1	
2	13370-88L00	.VALVE ASSY, NEEDLE	1	
3	15200-92J00	.PUMP ASSY, FUEL	1	
4	15626-92J00	.SEAL	1	
5	15628-99E00	.SCREW (L:15)	5	
6	15629-99E10	.SCREW, DRAIN	1	
7	15641-88L00	.SPACER	1	
8	15642-88L00	.FILTER ASSY	1	
9	15650-99E00	.FLOAT	1	
10	15654-88L00	.PIN	1	
11	15683-87J00	.HOSE, DRAIN (L:120)	1	
12	15760-88L00	.REGULATOR ASSY	1	
13	15644-88L00	.O RING	1	
14	15645-88L00	.HOLDER, REGULATOR	1	
15	02112-0408A	.SCREW	1	
16	15648-92J00	.RING	1	
17	15643-88L00	.JOINT	1	
18	15641-88L20	.BUSH	1	
19	15641-88L40	.BUSH	1	
20	15642-88L10	.FILTER	1	
21	15612-99E01	.COVER	1	
22	15613-88L00	.O RING	1	
23	15614-99E00	.SCREW, VAPOR SEPARATOR COVER	3	
24	02142-0408B	.SCREW	1	
25	09116-06202	BOLT (6X25)	3	
26	09169-06090	WASHER	3	
27	09320-08076	GROMMET	1	
28	09320-09053	CUSHION	3	
29	09352-50823-00B	HOSE (5X8.2X2000)	1	L:2000->680
30	09401-08412	CLIP	1	
31	18498-88L00	PROTECTOR, EVAP HOSE (L:610)	1	
32	09403-13408	CLAMP	2	
33	09408-00302	CLAMP	1	
34	01550-06127	BOLT	2	

FIG.16

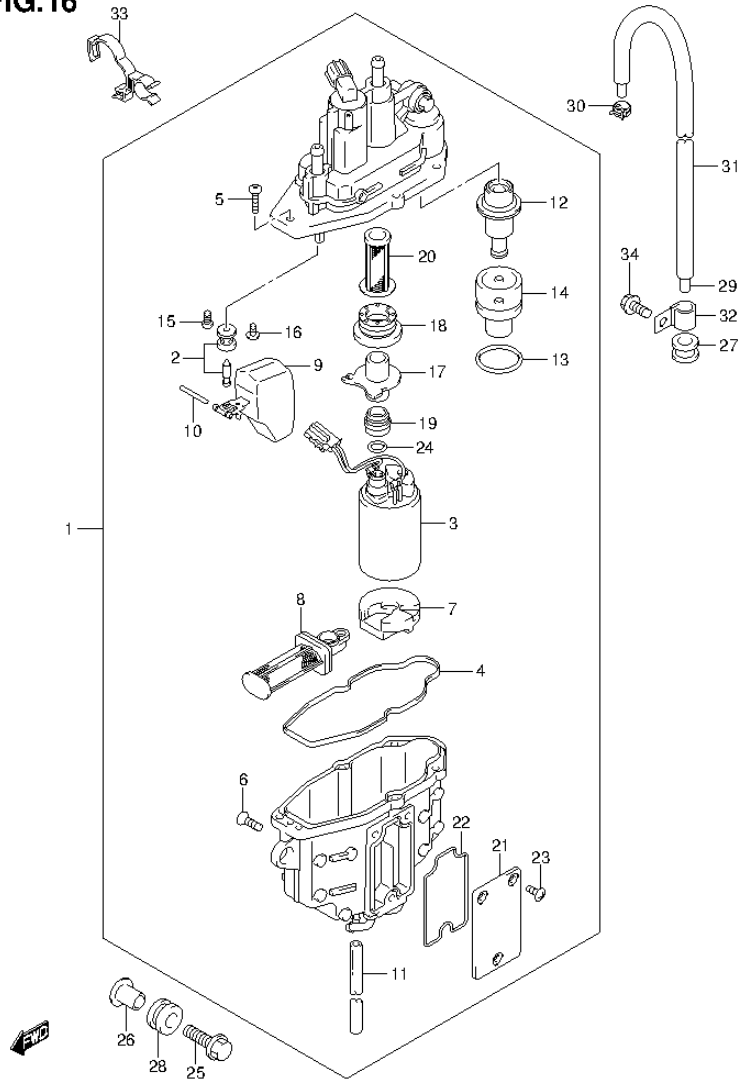


FIG.16 (1-C-7) FUEL VAPOR SEPARATOR (DF140AT E40)

REF NO.	PART NO.	DESCRIPTION	Q'TY	REMARKS
1	15600-92J10	SEPARATOR ASSY, FUEL VAPOR	1	
2	13370-88L10	.VALVE ASSY, NEEDLE	1	
3	15200-92J10	.PUMP ASSY, FUEL	1	
4	15626-92J10	.SEAL	1	
5	15628-99E00	.SCREW (L:15)	5	
6	15629-99E10	.SCREW, DRAIN	1	
7	15641-88L10	.SPACER	1	
8	15642-88L00	.FILTER ASSY	1	
9	15650-99E00	.FLOAT	1	
10	15654-88L00	.PIN	1	
11	15683-87J00	.HOSE, DRAIN (L:120)	1	
12	15760-88L00	.REGULATOR ASSY	1	
13	15644-88L10	.O RING	1	
14	15645-88L00	.HOLDER, REGULATOR	1	
15	13614-89J00	.SCREW	1	
16	13614-93J00	.SCREW	1	
17	15643-88L00	.JOINT	1	
18	15641-88L30	.BUSH	1	
19	15641-88L50	.BUSH	1	
20	15642-88L10	.FILTER	1	
21	15612-99E01	.COVER	1	
22	15613-88L00	.O RING	1	
23	15614-99E00	.SCREW, VAPOR SEPARATOR COVER	3	
24	15648-92J00	.RING	1	
25	09116-06202	BOLT (6X25)	3	
26	09169-06090	WASHER	3	
27	09320-08076	GROMMET	1	
28	09320-09053	CUSHION	3	
29	09352-50823-00B	HOSE (5X8.2X2000)	1	L:2000->680
30	09401-08412	CLIP	1	
31	18498-88L00	PROTECTOR, EVAP HOSE (L:610)	1	
32	09403-13408	CLAMP	2	
33	09408-00302	CLAMP	1	
34	01550-06127	BOLT	2	

FIG.17

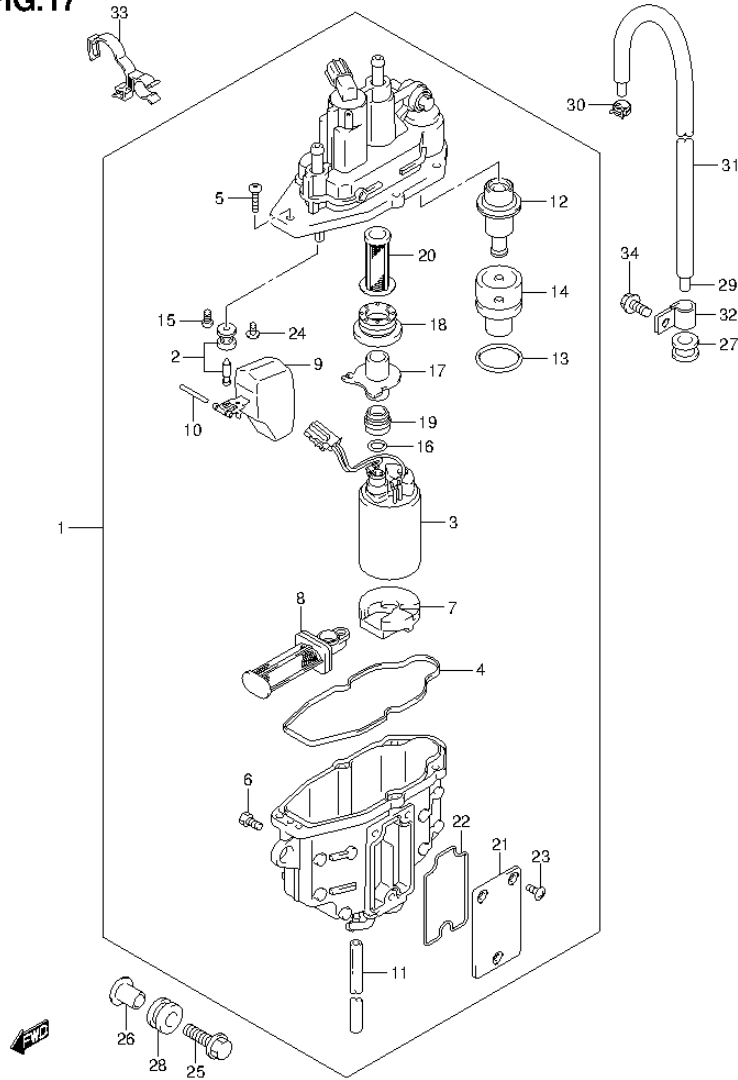


FIG.17 (1-C-8) FUEL VAPOR SEPARATOR (DF140AZ E01)

REF NO.	PART NO.	DESCRIPTION	Q'TY	REMARKS
1	15600-92J00	SEPARATOR ASSY, FUEL VAPOR	1	
2	13370-88L00	.VALVE ASSY, NEEDLE	1	
3	15200-92J00	.PUMP ASSY, FUEL	1	
4	15626-92J00	.SEAL	1	
5	15628-99E00	.SCREW (L:15)	5	
6	15629-99E10	.SCREW, DRAIN	1	
7	15641-88L00	.SPACER	1	
8	15642-88L00	.FILTER ASSY	1	
9	15650-99E00	.FLOAT	1	
10	15654-88L00	.PIN	1	
11	15683-87J00	.HOSE, DRAIN (L:120)	1	
12	15760-88L00	.REGULATOR ASSY	1	
13	15644-88L00	.O RING	1	
14	15645-88L00	.HOLDER, REGULATOR	1	
15	02112-0408A	.SCREW	1	
16	15648-92J00	.RING	1	
17	15643-88L00	.JOINT	1	
18	15641-88L20	.BUSH	1	
19	15641-88L40	.BUSH	1	
20	15642-88L10	.FILTER	1	
21	15612-99E01	.COVER	1	
22	15613-88L00	.O RING	1	
23	15614-99E00	.SCREW, VAPOR SEPARATOR COVER	3	
24	02142-0408B	.SCREW	1	
25	09116-06202	BOLT (6X25)	3	
26	09169-06090	WASHER	3	
27	09320-08076	GROMMET	1	
28	09320-09053	CUSHION	3	
29	09352-50823-00B	HOSE (5X8.2X2000)	1	L:2000->680
30	09401-08412	CLIP	1	
31	18498-88L00	PROTECTOR, EVAP HOSE (L:610)	1	
32	09403-13408	CLAMP	2	
33	09408-00302	CLAMP	1	
34	01550-06127	BOLT	2	

FIG.18

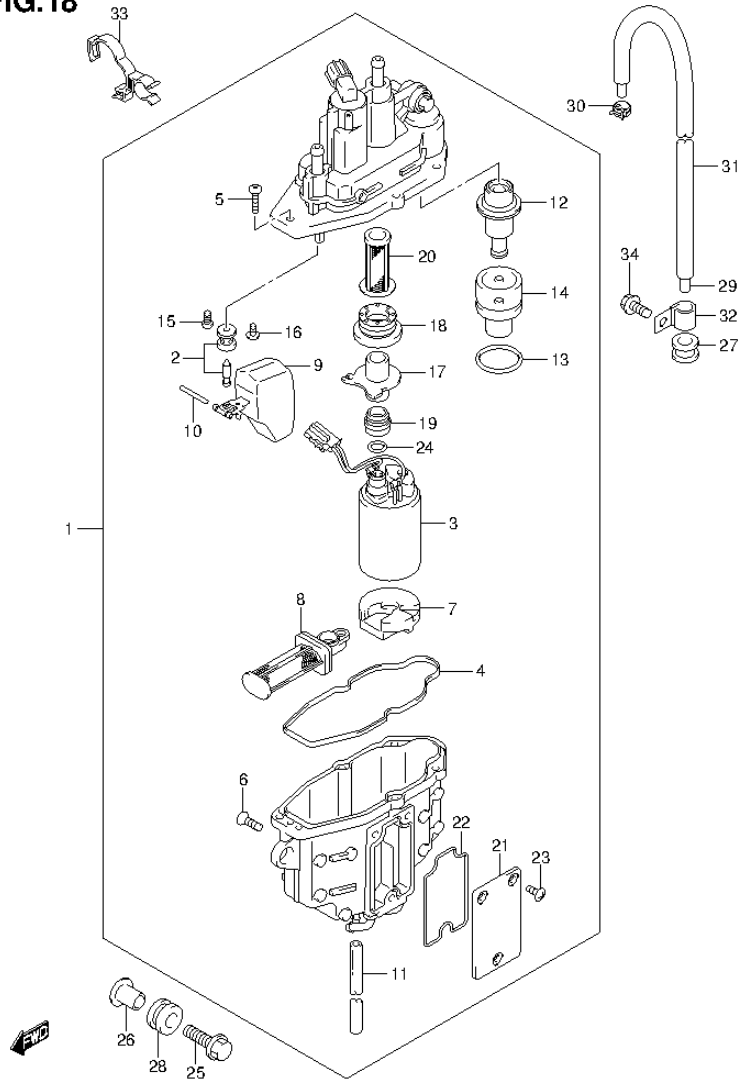


FIG.18 (1-C-9) FUEL VAPOR SEPARATOR (DF140AZ E40)

REF NO.	PART NO.	DESCRIPTION	Q'TY	REMARKS
1	15600-92J10	SEPARATOR ASSY, FUEL VAPOR	1	
2	13370-88L10	.VALVE ASSY, NEEDLE	1	
3	15200-92J10	.PUMP ASSY, FUEL	1	
4	15626-92J10	.SEAL	1	
5	15628-99E00	.SCREW (L:15)	5	
6	15629-99E10	.SCREW, DRAIN	1	
7	15641-88L10	.SPACER	1	
8	15642-88L00	.FILTER ASSY	1	
9	15650-99E00	.FLOAT	1	
10	15654-88L00	.PIN	1	
11	15683-87J00	.HOSE, DRAIN (L:120)	1	
12	15760-88L00	.REGULATOR ASSY	1	
13	15644-88L10	.O RING	1	
14	15645-88L00	.HOLDER, REGULATOR	1	
15	13614-89J00	.SCREW	1	
16	13614-93J00	.SCREW	1	
17	15643-88L00	.JOINT	1	
18	15641-88L30	.BUSH	1	
19	15641-88L50	.BUSH	1	
20	15642-88L10	.FILTER	1	
21	15612-99E01	.COVER	1	
22	15613-88L00	.O RING	1	
23	15614-99E00	.SCREW, VAPOR SEPARATOR COVER	3	
24	15648-92J00	.RING	1	
25	09116-06202	BOLT (6X25)	3	
26	09169-06090	WASHER	3	
27	09320-08076	GROMMET	1	
28	09320-09053	CUSHION	3	
29	09352-50823-00B	HOSE (5X8.2X2000)	1	L:2000->680
30	09401-08412	CLIP	1	
31	18498-88L00	PROTECTOR, EVAP HOSE (L:610)	1	
32	09403-13408	CLAMP	2	
33	09408-00302	CLAMP	1	
34	01550-06127	BOLT	2	

FIG.19

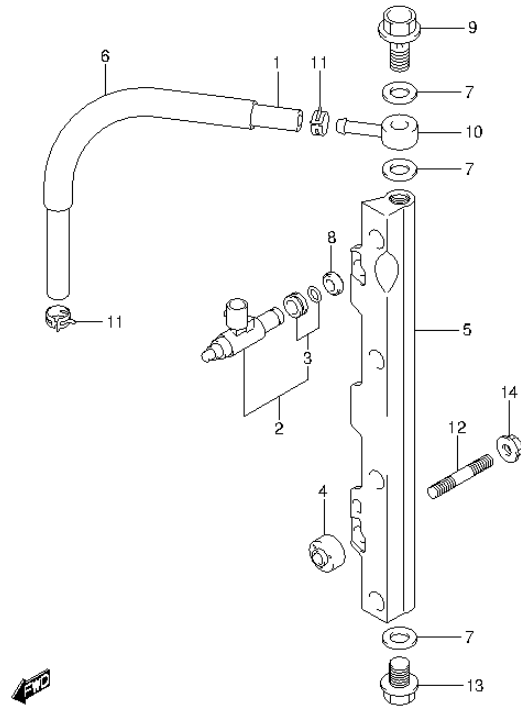


FIG.19 (1-C-10) FUEL INJECTOR (DF140AT E01)

REF NO.	PART NO.	DESCRIPTION	Q'TY	REMARKS
1	15681-92J00	HOSE, FUEL (SEPARATOR TO DLVY)	1	
2	15710-82K50	INJECTOR, FUEL	4	
3	15716-65DT0	.GROMMET SET	4	
4	15735-58B00	INSULATOR, DELIVERY PIPE	2	
5	15751-92J00	PIPE, DELIVERY	1	
6	18498-99E20	PROTECTOR	1	L:450->190
7	09168-12013	GASKET (11.8X22X1.2)	3	
8	09320-08062	CUSHION	4	
9	09360-12008	UNION	1	
10	09363-08004	UNION	1	
11	09401-11425	CLIP	2	
12	01421-08407	STUD BOLT	2	
13	01550-12167	BOLT	1	
14	08316-10087	NUT	2	

FIG.20

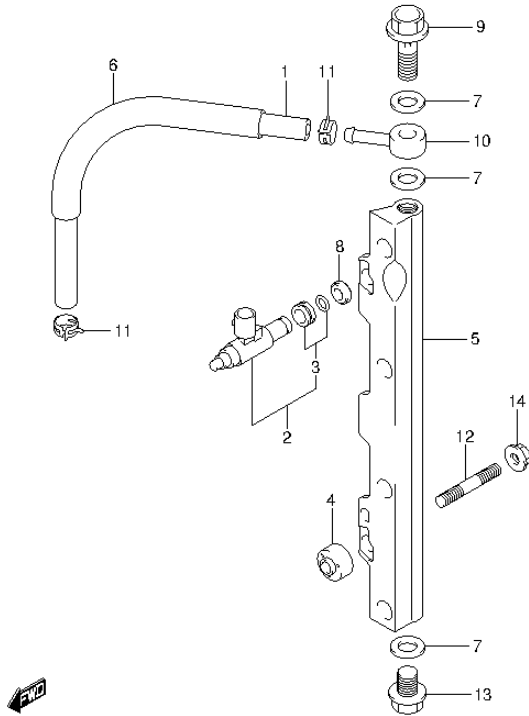


FIG.20 (1-C-11) FUEL INJECTOR (DF140AT E40)

REF NO.	PART NO.	DESCRIPTION	Q'TY	REMARKS
1	15681-92J00	HOSE, FUEL (SEPARATOR TO DLVY)	1	
2	15710-82K50	INJECTOR, FUEL	4	
3	15716-65DT0	.GROMMET SET	4	
4	15735-58B00	INSULATOR, DELIVERY PIPE	2	
5	15751-92J00	PIPE, DELIVERY	1	
6	18498-99E20	PROTECTOR	1	L:450->190
7	15762-90J00	GASKET, UNION	3	
8	09320-08062	CUSHION	4	
9	09360-12013	UNION	1	
10	15830-90J00	JOINT, FUEL MAIN	1	
11	09401-11425	CLIP	2	
12	01421-08407	STUD BOLT	2	
13	09247-12013	PLUG (12X16)	1	
14	08316-10087	NUT	2	

FIG.21

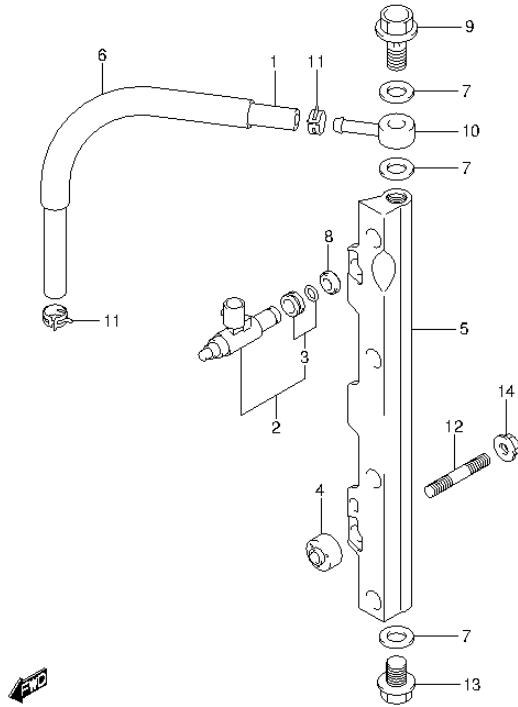


FIG.21 (1-C-12) FUEL INJECTOR (DF140AZ E01)

REF NO.	PART NO.	DESCRIPTION	Q'TY	REMARKS
1	15681-92J00	HOSE, FUEL (SEPARATOR TO DLVY)	1	
2	15710-82K50	INJECTOR, FUEL	4	
3	15716-65DT0	.GROMMET SET	4	
4	15735-58B00	INSULATOR, DELIVERY PIPE	2	
5	15751-92J00	PIPE, DELIVERY	1	
6	18498-99E20	PROTECTOR	1	L:450->190
7	09168-12013	GASKET (11.8X22X1.2)	3	
8	09320-08062	CUSHION	4	
9	09360-12008	UNION	1	
10	09363-08004	UNION	1	
11	09401-11425	CLIP	2	
12	01421-08407	STUD BOLT	2	
13	01550-12167	BOLT	1	
14	08316-10087	NUT	2	

FIG.22

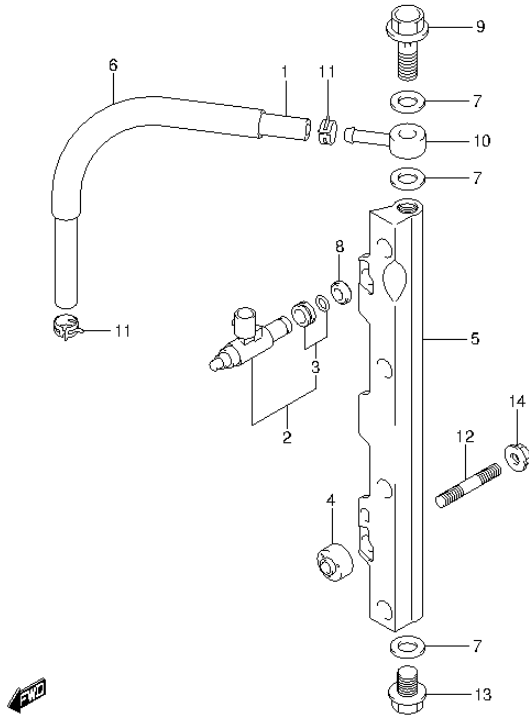


FIG.22 (1-C-13) FUEL INJECTOR (DF140AZ E40)

REF NO.	PART NO.	DESCRIPTION	Q'TY	REMARKS
1	15681-92J00	HOSE, FUEL (SEPARATOR TO DLVY)	1	
2	15710-82K50	INJECTOR, FUEL	4	
3	15716-65DT0	.GROMMET SET	4	
4	15735-58B00	INSULATOR, DELIVERY PIPE	2	
5	15751-92J00	PIPE, DELIVERY	1	
6	18498-99E20	PROTECTOR	1	L:450->190
7	15762-90J00	GASKET, UNION	3	
8	09320-08062	CUSHION	4	
9	09360-12013	UNION	1	
10	15830-90J00	JOINT, FUEL MAIN	1	
11	09401-11425	CLIP	2	
12	01421-08407	STUD BOLT	2	
13	09247-12013	PLUG (12X16)	1	
14	08316-10087	NUT	2	

FIG.23

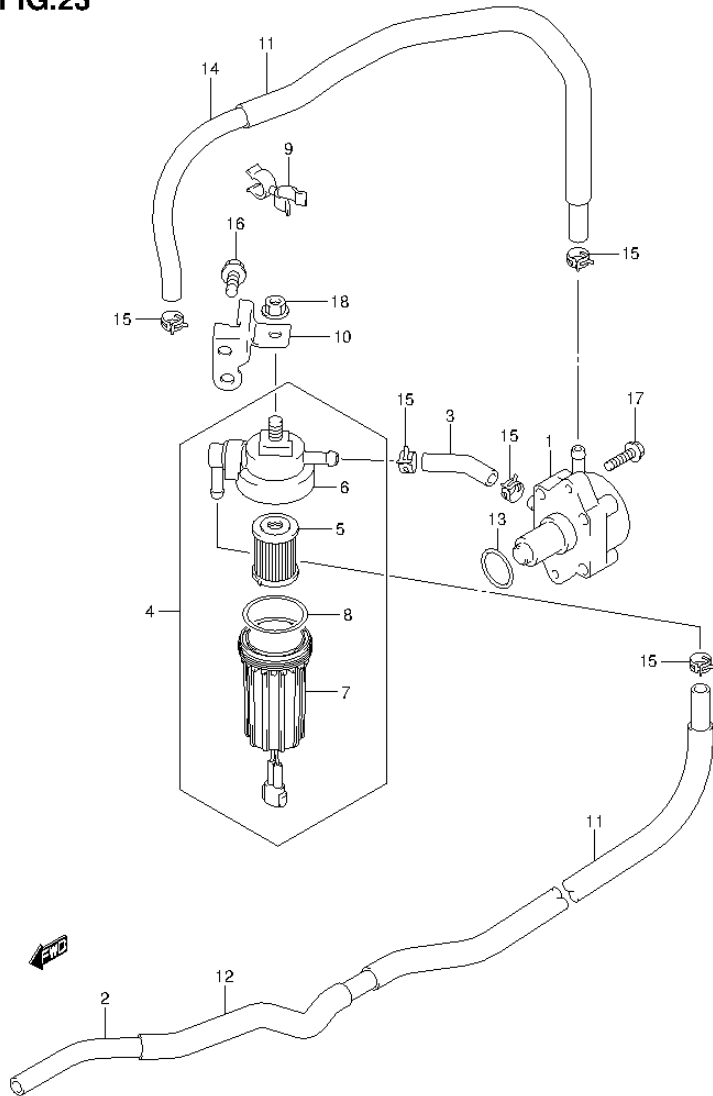


FIG.23 (1-C-14) FUEL PUMP

REF NO.	PART NO.	DESCRIPTION	Q'TY	REMARKS
1	15100-90J11	PUMP, FUEL	1	
2	15190-92J00	HOSE, FUEL (JOINT TO FILTER)	1	
3	09343-70503-600	HOSE (7X12X600)	1	600->60 FILTER TO PUMP
4	15410-92J00	FILTER, FUEL	1	
5	15412-92J00	.FILTER, FUEL	1	
6	15411-92J00	.CAP, FUEL FILTER	1	
7	15413-92J00	.CASE, FUEL FILTER	1	
8	15415-92J00	.SEAL, FUEL FILTER	1	
9	09408-00050	CLIP	1	
10	15421-92J00	BRACKET, FUEL FILTER	1	
11	18498-96J20	PROTECTOR, FUEL HOSE (370)	2	
12	18498-99E10	PROTECTOR, FUEL HOSE (610)	1	L:610->180
13	09280-26005	O RING (D:2.4, ID:26.2)	1	
14	15192-92J00	HOSE, FUEL (PUMP TO SEPARATOR)	1	
15	09401-11423	CLIP	5	
16	01550-08207	BOLT	1	
17	01550-06257	BOLT	2	
18	08316-10087	NUT	1	

FIG.24

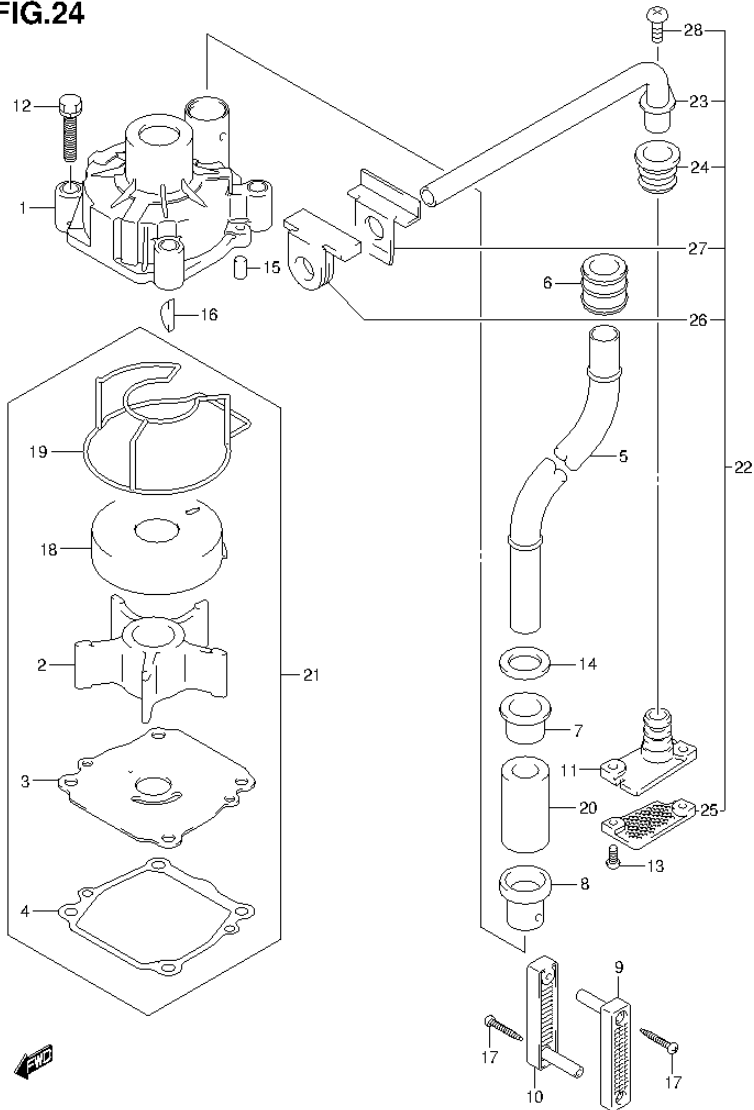


FIG.24 (1-C-15) WATER PUMP (DF140AT E01)

REF NO.	PART NO.	DESCRIPTION	Q'TY	REMARKS
1	17410-92J00	CASE, WATER PUMP	1	
2	17461-90J01	IMPELLER, WATER PUMP	1	
3	17471-92J00	PANEL, PUMP CASE UNDER	1	
4	17472-87E10	GASKET, PUMP CASE PANEL	1	
5-1	17561-90J02	TUBE, WATER (L)	1	W/TRANSOM(L)
5-2	17561-90J12	TUBE, WATER (X)	1	W/TRANSOM(X)
6	17562-90J00	BUSH, WATER TUBE UPPER	1	
7	17563-87D00	BUSH, WATER TUBE LOWER	1	
8	17564-87D00	BUSH, WATER PUMP CASE	1	
9	17631-90J00	FILTER, WATER PORT SIDE	1	
10	17632-90J00	FILTER, WATER STBD SIDE	1	
11	17635-90J00	PLUG, SUB WATER TUBE	1	
12	09116-08131	BOLT (8X45)	4	
13	09125-05046	SCREW (5X12)	2	
14	09161-16008	WASHER (15.8X26X1)	1	
15	09202-06031	PIN (6X12)	2	
16	09420-05009	KEY	1	
17	09132-04034	SCREW (4X18)	2	
18	17413-92J01	SLEEVE, WATER PUMP CASE	1	
19	17416-92J10	SEALING, WATER PUMP CASE	1	
20	17612-90J00	SPACER, WATER TUBE (X)	1	W/TRANSOM(X)
21	17400-92J21	WATER PUMP REPAIR KIT	1	OPT
22	17500-90J10	KIT, WATER SUB TUBE	1	OPT
23	17520-90J00	.TUBE COMP,WATER SUB	1	OPT
24	17563-87D00	.BUSH, WATER TUBE LOWER	1	OPT
25	17635-87E00	.FILTER, WATER SUB	1	OPT
26	55332-87D01	.RUBBER, EXHAUST SEAL	1	OPT
27	55333-87D02	.PLATE, EXHAUST SEAL	1	OPT
28	09125-06063	.SCREW (6X10)	1	OPT

FIG.25

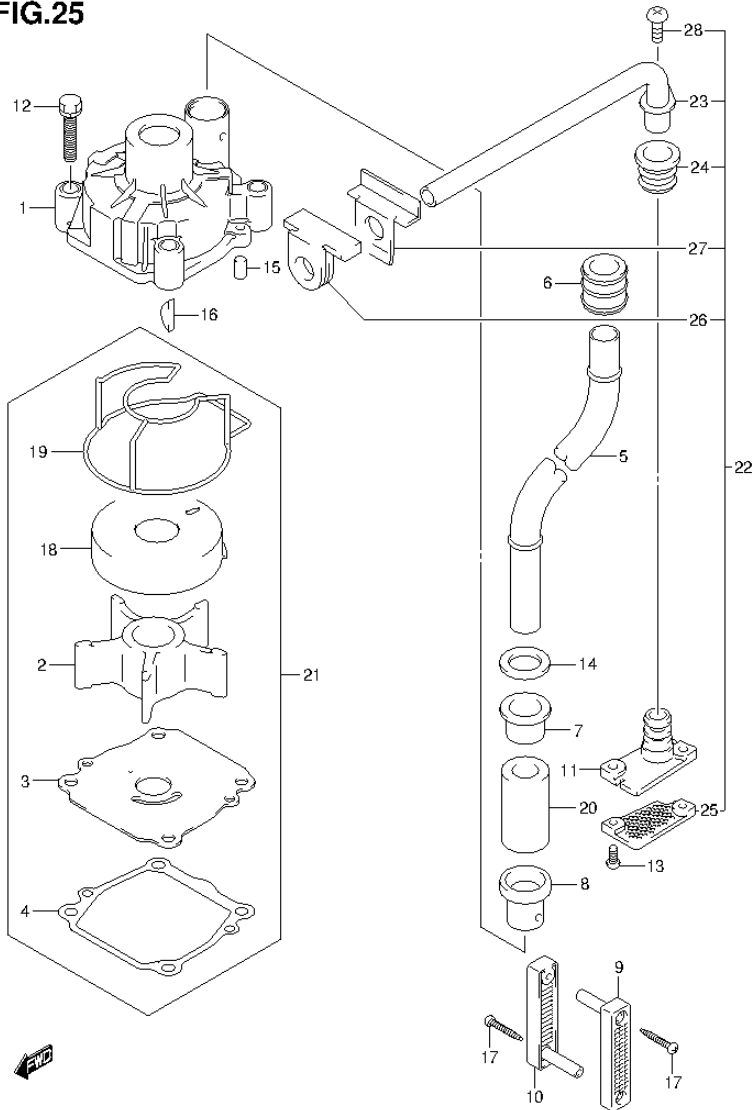


FIG.25 (1-D-2) WATER PUMP (DF140AT E40)

REF NO.	PART NO.	DESCRIPTION	Q'TY	REMARKS
1	17410-92J00	CASE, WATER PUMP	1	
2	17461-90J01	IMPELLER, WATER PUMP	1	
3	17471-92J10	PANEL, PUMP CASE UNDER	1	
4	17472-87E10	GASKET, PUMP CASE PANEL	1	
5-1	17561-90J02	TUBE, WATER (L)	1	W/TRANSOM(L)
5-2	17561-90J12	TUBE, WATER (X)	1	W/TRANSOM(X)
6	17562-90J00	BUSH, WATER TUBE UPPER	1	
7	17563-87D00	BUSH, WATER TUBE LOWER	1	
8	17564-87D00	BUSH, WATER PUMP CASE	1	
9	17631-90J00	FILTER, WATER PORT SIDE	1	
10	17632-90J00	FILTER, WATER STBD SIDE	1	
11	17635-90J00	PLUG, SUB WATER TUBE	1	
12	09116-08131	BOLT (8X45)	4	
13	09125-05046	SCREW (5X12)	2	
14	09161-16008	WASHER (15.8X26X1)	1	
15	09202-06031	PIN (6X12)	2	
16	09420-05009	KEY	1	
17	09132-04034	SCREW (4X18)	2	
18	17413-92J11	SLEEVE, WATER PUMP CASE	1	
19	17416-92J10	SEALING, WATER PUMP CASE	1	
20	17612-90J00	SPACER, WATER TUBE (X)	1	W/TRANSOM(X)
21	17400-92J21	WATER PUMP REPAIR KIT	1	OPT
22	17500-90J10	KIT, WATER SUB TUBE	1	OPT
23	17520-90J00	.TUBE COMP, WATER SUB	1	OPT
24	17563-87D00	.BUSH, WATER TUBE LOWER	1	OPT
25	17635-87E00	.FILTER, WATER SUB	1	OPT
26	55332-87D01	.RUBBER, EXHAUST SEAL	1	OPT
27	55333-87D02	.PLATE, EXHAUST SEAL	1	OPT
28	09125-06063	.SCREW (6X10)	1	OPT

FIG.26

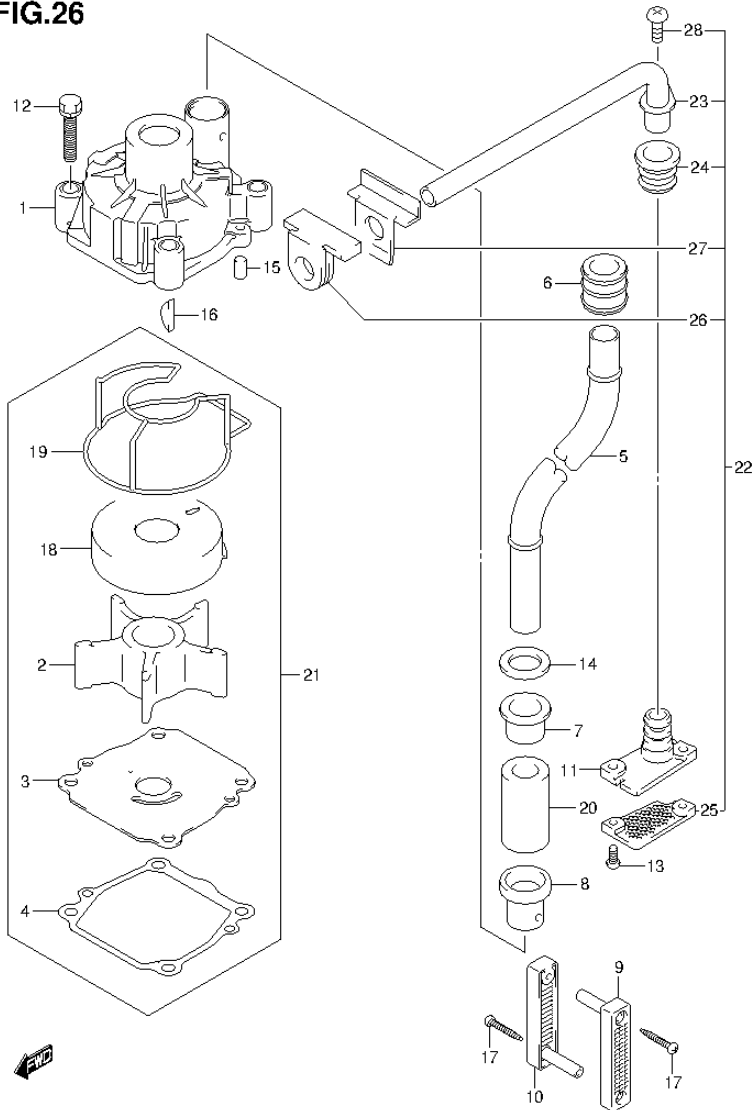


FIG.26 (1-D-3) WATER PUMP (DF140AZ E01)

REF NO.	PART NO.	DESCRIPTION	Q'TY	REMARKS
1	17410-92J00	CASE, WATER PUMP	1	
2	17461-90J01	IMPELLER, WATER PUMP	1	
3	17471-92J00	PANEL, PUMP CASE UNDER	1	
4	17472-87E10	GASKET, PUMP CASE PANEL	1	
5-1	17561-90J02	TUBE, WATER (L)	1	W/TRANSOM(L)
5-2	17561-90J12	TUBE, WATER (X)	1	W/TRANSOM(X)
6	17562-90J00	BUSH, WATER TUBE UPPER	1	
7	17563-87D00	BUSH, WATER TUBE LOWER	1	
8	17564-87D00	BUSH, WATER PUMP CASE	1	
9	17631-90J00	FILTER, WATER PORT SIDE	1	
10	17632-90J00	FILTER, WATER STBD SIDE	1	
11	17635-90J00	PLUG, SUB WATER TUBE	1	
12	09116-08131	BOLT (8X45)	4	
13	09125-05046	SCREW (5X12)	2	
14	09161-16008	WASHER (15.8X26X1)	1	
15	09202-06031	PIN (6X12)	2	
16	09420-05009	KEY	1	
17	09132-04034	SCREW (4X18)	2	
18	17413-92J01	SLEEVE, WATER PUMP CASE	1	
19	17416-92J10	SEALING, WATER PUMP CASE	1	
20	17612-90J00	SPACER, WATER TUBE (X)	1	W/TRANSOM(X)
21	17400-92J21	WATER PUMP REPAIR KIT	1	OPT
22	17500-90J10	KIT, WATER SUB TUBE	1	OPT
23	17520-90J00	.TUBE COMP,WATER SUB	1	OPT
24	17563-87D00	.BUSH, WATER TUBE LOWER	1	OPT
25	17635-87E00	.FILTER, WATER SUB	1	OPT
26	55332-87D01	.RUBBER, EXHAUST SEAL	1	OPT
27	55333-87D02	.PLATE, EXHAUST SEAL	1	OPT
28	09125-06063	.SCREW (6X10)	1	OPT

FIG.27

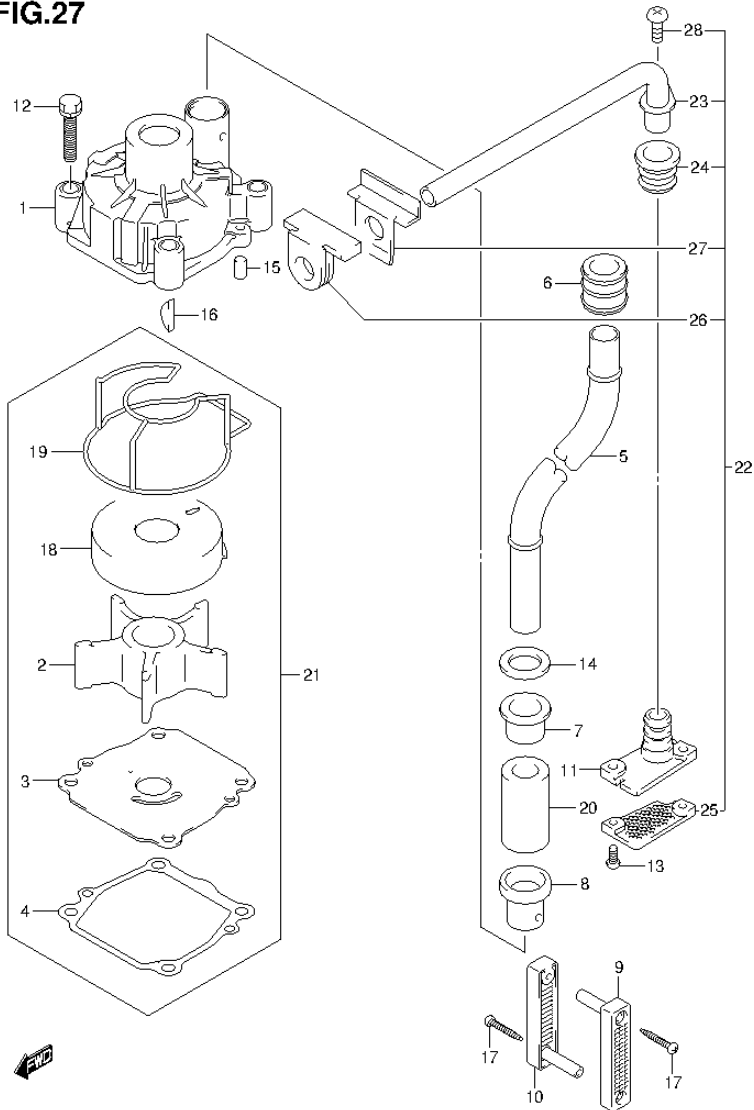


FIG.27 (1-D-4) WATER PUMP (DF140AZ E40)

REF NO.	PART NO.	DESCRIPTION	Q'TY	REMARKS
1	17410-92J00	CASE, WATER PUMP	1	
2	17461-90J01	IMPELLER, WATER PUMP	1	
3	17471-92J10	PANEL, PUMP CASE UNDER	1	
4	17472-87E10	GASKET, PUMP CASE PANEL	1	
5-1	17561-90J02	TUBE, WATER (L)	1	W/TRANSOM(L)
5-2	17561-90J12	TUBE, WATER (X)	1	W/TRANSOM(X)
6	17562-90J00	BUSH, WATER TUBE UPPER	1	
7	17563-87D00	BUSH, WATER TUBE LOWER	1	
8	17564-87D00	BUSH, WATER PUMP CASE	1	
9	17631-90J00	FILTER, WATER PORT SIDE	1	
10	17632-90J00	FILTER, WATER STBD SIDE	1	
11	17635-90J00	PLUG, SUB WATER TUBE	1	
12	09116-08131	BOLT (8X45)	4	
13	09125-05046	SCREW (5X12)	2	
14	09161-16008	WASHER (15.8X26X1)	1	
15	09202-06031	PIN (6X12)	2	
16	09420-05009	KEY	1	
17	09132-04034	SCREW (4X18)	2	
18	17413-92J11	SLEEVE, WATER PUMP CASE	1	
19	17416-92J10	SEALING, WATER PUMP CASE	1	
20	17612-90J00	SPACER, WATER TUBE (X)	1	W/TRANSOM(X)
21	17400-92J21	WATER PUMP REPAIR KIT	1	OPT
22	17500-90J10	KIT, WATER SUB TUBE	1	OPT
23	17520-90J00	.TUBE COMP, WATER SUB	1	OPT
24	17563-87D00	.BUSH, WATER TUBE LOWER	1	OPT
25	17635-87E00	.FILTER, WATER SUB	1	OPT
26	55332-87D01	.RUBBER, EXHAUST SEAL	1	OPT
27	55333-87D02	.PLATE, EXHAUST SEAL	1	OPT
28	09125-06063	.SCREW (6X10)	1	OPT

FIG.28

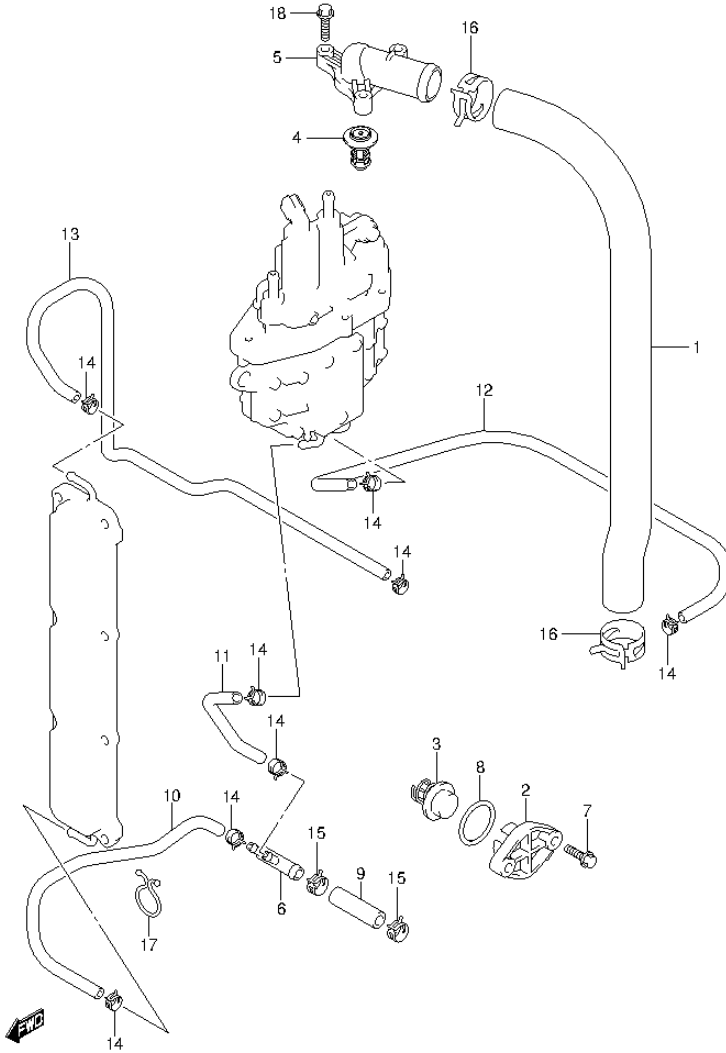


FIG.28 (1-D-5) THERMOSTAT

REF NO.	PART NO.	DESCRIPTION	Q'TY	REMARKS
1	11196-90J00	HOSE, WATER RETURN	1	
2	17611-90J00-0EP	COVER, WATER PRESS VALVE (BLACK)	1	
3	17660-90J00	VALVE, WATER PRESSURE	1	
4-1	17670-90J20	THERMOSTAT (50C)	1	
4-2	17670-90J10	THERMOSTAT (71C)	1	OPT
5	17681-90J01	COVER, THERMOSTAT	1	
6	17711-90J00	3 WAY, WATER HOSE	1	
7	09116-06121	BOLT (6X25)	2	
8	09280-26006	O RING (D:3.1, ID:26.4)	1	
9	09352-11153-600	HOSE (11X15X600)	1	L:600->50 HOLDER TO 3 WAY
10	09352-50903-600	HOSE (5X9X600)	1	L:600->440 3 WAY TO CRKC LOWER
11	09352-50903-600	HOSE (5X9X600)	1	L:600->180 3 WAY SEPARATOR
12	09352-50903-600	HOSE (5X9X600)	1	L:600->580 SEPARATOR TO HLDR
13	09352-50903-00B	HOSE (5X9X2000)	1	L:2000->820 CRKC UPPER TO IND
14	09401-08413	CLIP	8	
15	09401-14409	CLIP	2	
16	09401-31407	CLIP	2	
17	09408-00024	CLIP (ID:23)	1	
18	01550-06257	BOLT	3	

FIG.29

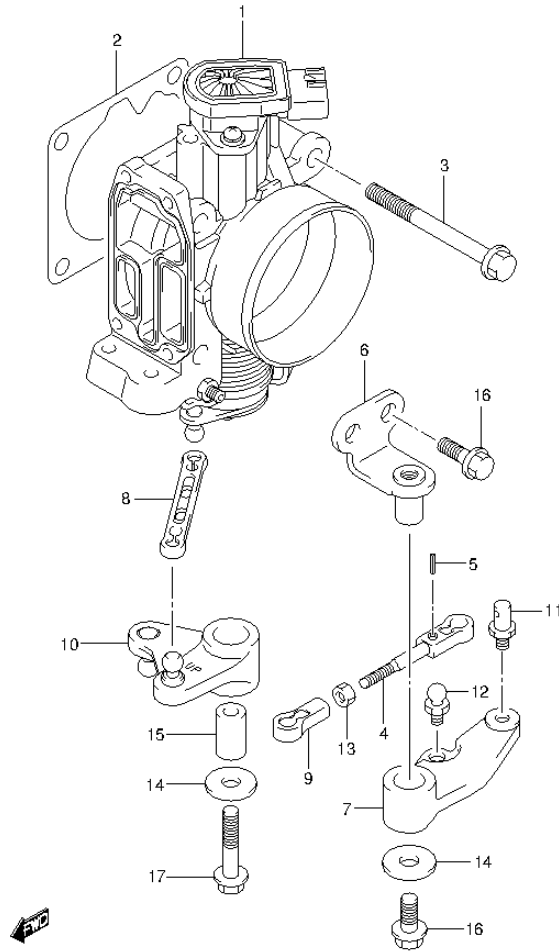


FIG.29 (1-D-6) THROTTLE BODY

REF NO.	PART NO.	DESCRIPTION	Q'TY	REMARKS
1	13300-92J00	BODY ASSY, THROTTLE	1	
2	13421-90J01	GASKET, THROTTLE BODY	1	
3	01550-08557	BOLT	4	
4	13510-90J00	ROD, THROTTLE	1	
5	09205-02006	.SPRING PIN (2X12)	1	
6	19115-90J00	HOLDER, THROTTLE LEVER	1	
7	19121-90J00	LEVER, THROTTLE NO.1	1	
8	19130-92J00	ROD, THROTTLE NO.2	1	
9	19131-95502	CONNECTOR, THROTTLE ROD	1	
10	19140-92J00	LEVER, THROTTLE NO.2	1	
11	67473-89J00	PIN, CONNECTOR	1	
12	09119-05010	PIVOT	1	
13	09140-05005	NUT	1	
14	09160-06046	WASHER (6.5X20X1.5)	2	
15	09180-06186	SPACER (6.2X12.6X21)	1	
16	01550-06167	BOLT	3	
17	01550-06357	BOLT	1	

FIG.30

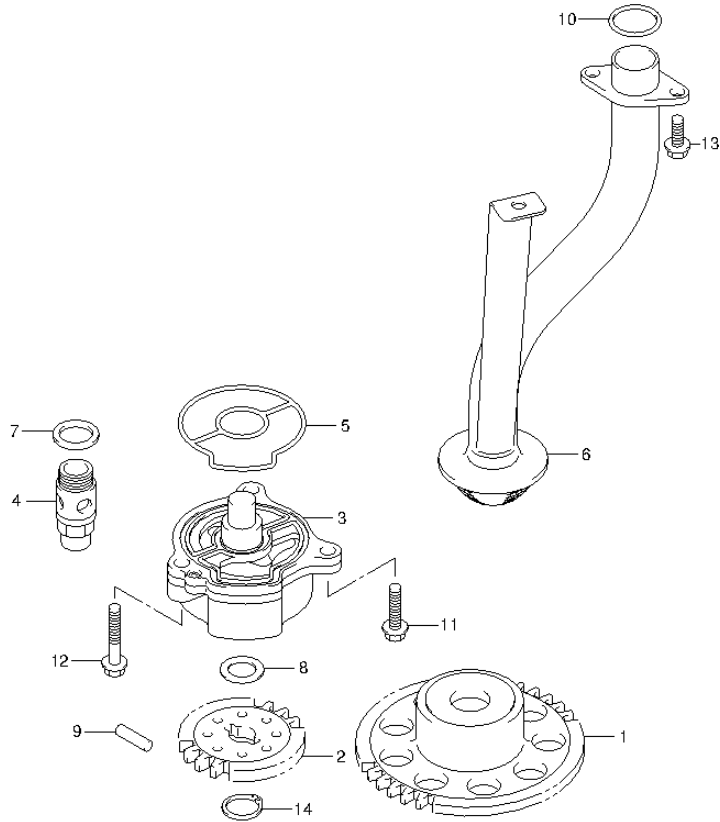


FIG.30 (1-D-7) OIL PUMP

REF NO.	PART NO.	DESCRIPTION	Q'TY	REMARKS
1	12632-92J11	GEAR, OIL PUMP DRIVE (NT:41)	1	
2	16113-92J11	GEAR, OIL PUMP DRIVEN (NT:20)	1	
3	16400-90J00	PUMP ASSY, OIL	1	
4	16440-99E00	VALVE, OIL RELIEF	1	
5	16451-90J00	O RING, OIL PUMP	1	
6	16520-90J00	STRAINER, OIL PUMP	1	
7	09168-16002	GASKET (16X22X2)	1	
8	09181-12158	SHIM (12X20X0.5)	1	
9	09261-05006	PIN (5X18)	1	
10	09280-22020	O RING (D:2.4,ID:21.8)	2	
11	01547-06257	BOLT	1	
12	01547-06357	BOLT	2	
13	01550-0616A	BOLT	3	
14	08331-3112A	CIRCLIP	1	



FIG.31

FIG.31 (1-D-8) OIL FILTER

REF NO.	PART NO.	DESCRIPTION	Q'TY	REMARKS
1	11241-73003	STAND, OIL FILTER	1	
2	16510-61A31	FILTER, OIL	1	

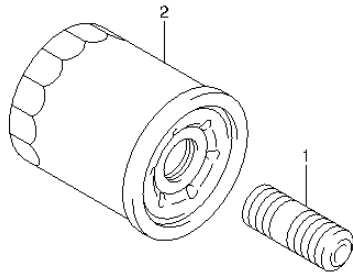


FIG.32

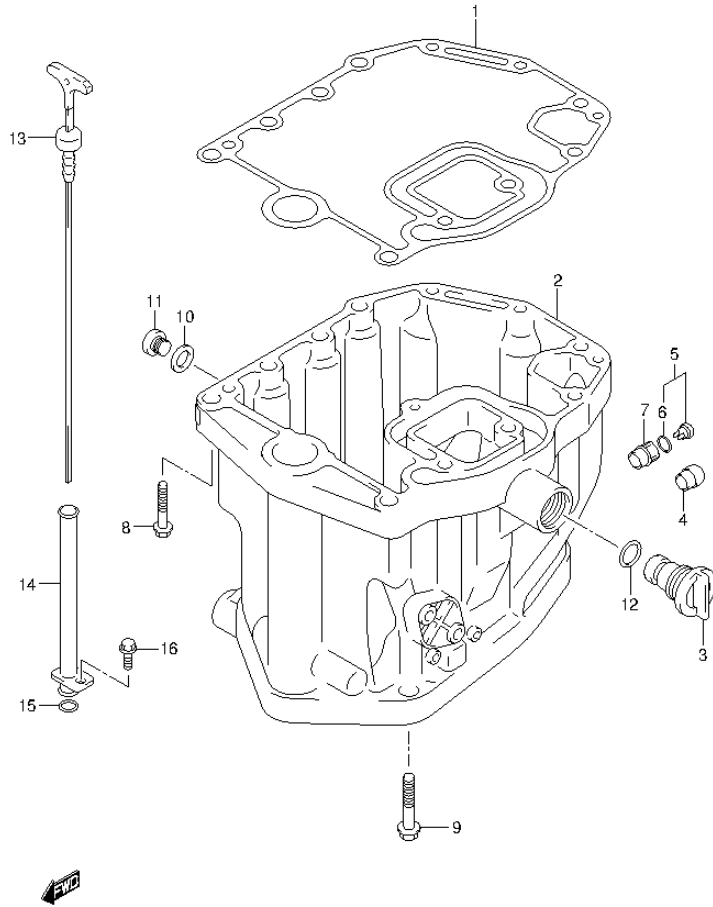


FIG.32 (1-D-9) OIL PAN

REF NO.	PART NO.	DESCRIPTION	Q'TY	REMARKS
1	11489-90J00	GASKET, OIL PAN	1	
2	11501-90J04-0EP	PAN, OIL (BLACK)	1	
3	17913-99E11	PLUG, WATER	1	
4	43112-99E00	PIPE, EXHAUST	1	
5	61150-99E00	COVER, WATER INDICATOR	1	
6	09280-09005	.O RING (D:1.9,ID:8.6)	1	
7	61155-99E01	TUBE, WATER INDICATOR	1	
8	09116-08128	BOLT (8X40)	3	
9	09116-10129	BOLT (10X160)	8	
10	09168-12012	GASKET (12.5X20X2.5)	1	
11	09248-12009	PLUG (12X18.65)	1	
12	09280-13005	O RING (D:3.5,ID:12.8)	1	
13	16910-90J10	GAUGE, OIL LEVEL	1	
14	16930-90J01	GUIDE, OIL LEVEL	1	
15	09280-09008	O RING (D:2.1,ID:8.8)	1	
16	01550-06127	BOLT	1	

FIG.33

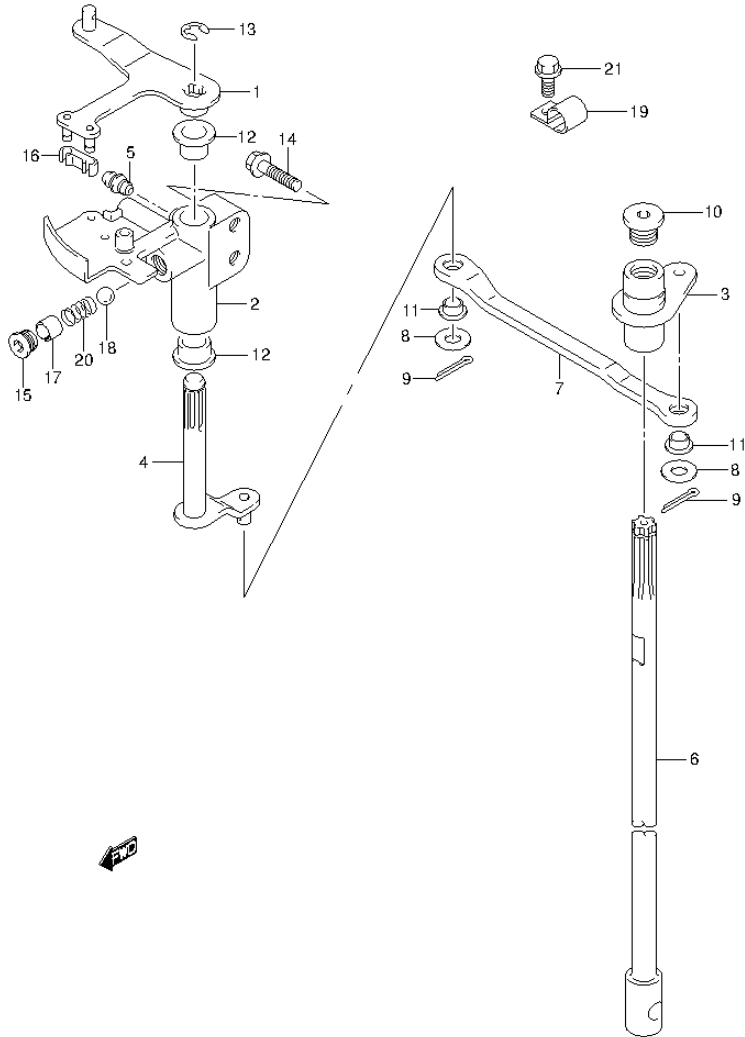


FIG.33 (1-D-10) CLUTCH SHAFT

REF NO.	PART NO.	DESCRIPTION	Q'TY	REMARKS
1	21110-92J00	LEVER, CLUTCH	1	
2	21151-92J00	HOLDER, CLUTCH LEVER	1	
3	21210-92J00	SHAFT, CLUTCH	1	
4	21230-92J00	ARM, CLUTCH SHAFT	1	
5	22511-99011	NIPPLE, GREASE	1	
6-1	23111-90J02	ROD, CLUTCH (L)	1	W/TRANSOM(L)
6-2	23111-90J12	ROD, CLUTCH (X)	1	W/TRANSOM(X)
7	23115-92J00	LINK, CLUTCH LEVER	1	
8	09160-06094	WASHER (6.5X15X1.5)	2	
9	09204-01006	PIN	2	
10	09248-12011	PLUG (12X9)	1	
11	09306-06004	BUSH	2	
12	09306-10001	BUSH	2	
13	09383-08004	E RING	1	
14	01550-06307	BOLT	2	
15	11118-95J00	PLUG, NOTCH SPRING	1	
16	21131-93J00	BUSH, CLUTCH LEVER	1	
17	09205-10006	SPRING PIN (10.2X10)	1	
18	09260-10005	BALL	1	
19	09403-13408	CLAMP	1	
20	09440-07071	SPRING	1	
21	01550-06127	BOLT	1	

FIG.34

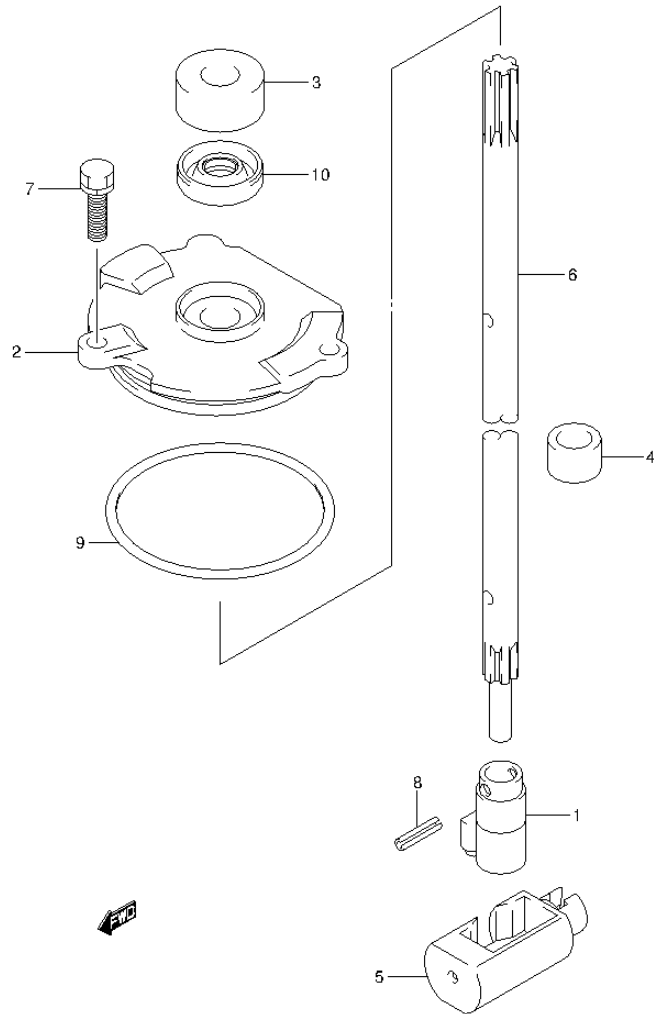


FIG.34 (1-D-11) CLUTCH ROD (DF140AT E01)

REF NO.	PART NO.	DESCRIPTION	Q'TY	REMARKS
1	25131-92J00	YOKE, SHIFTER	1	
2	25141-92J00	HOUSING, SHIFT ROD GUIDE	1	
3	25222-92J00	COVER, SFT GUIDE HSG OIL SEAL	1	
4	25232-90J00	MAGNET, GEAR CASE	1	
5	25321-92J10	SLIDER, SHIFT HORIZONTAL	1	
6-1	25111-92J00	ROD ASSY, SHIFT (L)	1	W/TRANSOM(L)
6-2	25111-92J10	ROD ASSY, SHIFT (UL)	1	W/TRANSOM(X)
7	29116-93J00	BOLT (6X20)	2	
8	09205-04014	SPRING PIN (4X14)	2	
9	09280-69001	O RING (D:3.1,ID:68.5)	1	
10	09283-10011	OIL SEAL (10X22X8)	1	

FIG.35

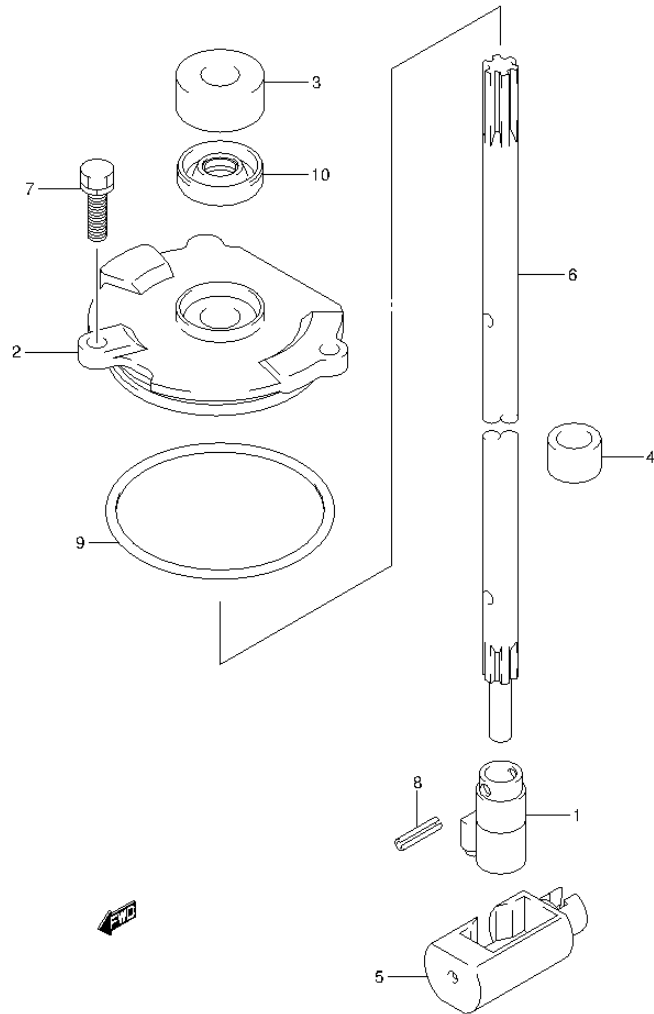


FIG.35 (1-D-12) CLUTCH ROD (DF140AT E40)

REF NO.	PART NO.	DESCRIPTION	Q'TY	REMARKS
1	25131-92J00	YOKE, SHIFTER	1	
2	25141-92J00	HOUSING, SHIFT ROD GUIDE	1	
3	25222-92J00	COVER, SFT GUIDE HSG OIL SEAL	1	
4	25232-90J00	MAGNET, GEAR CASE	1	
5	25321-92J10	SLIDER, SHIFT HORIZONTAL	1	
6-1	25111-92J00	ROD ASSY, SHIFT (L)	1	W/TRANSOM(L)
6-2	25111-92J10	ROD ASSY, SHIFT (UL)	1	W/TRANSOM(X)
7	29116-93J00	BOLT (6X20)	2	
8	09205-04014	SPRING PIN (4X14)	2	
9	09280-69001	O RING (D:3.1,ID:68.5)	1	
10	09283-10011	OIL SEAL (10X22X8)	1	

FIG.36

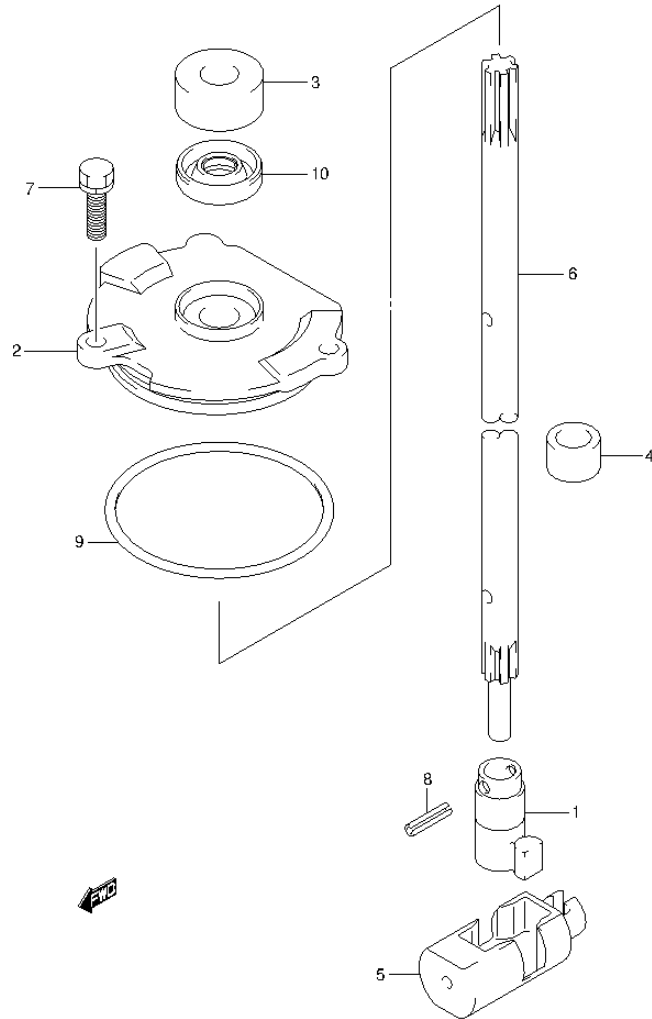


FIG.36 (1-D-13) CLUTCH ROD (DF140AZ E01)

REF NO.	PART NO.	DESCRIPTION	Q'TY	REMARKS
1	25131-92J00	YOKE, SHIFTER	1	
2	25141-92J00	HOUSING, SHIFT ROD GUIDE	1	
3	25222-92J00	COVER, SFT GUIDE HSG OIL SEAL	1	
4	25232-90J00	MAGNET, GEAR CASE	1	
5	25321-92J20	SLIDER, SHIFT HORIZONTAL	1	
6-1	25111-92J00	ROD ASSY, SHIFT (L)	1	W/TRANSOM(L)
6-2	25111-92J10	ROD ASSY, SHIFT (UL)	1	W/TRANSOM(X)
7	29116-93J00	BOLT (6X20)	2	
8	09205-04014	SPRING PIN (4X14)	2	
9	09280-69001	O RING (D:3.1,ID:68.5)	1	
10	09283-10011	OIL SEAL (10X22X8)	1	

FIG.37

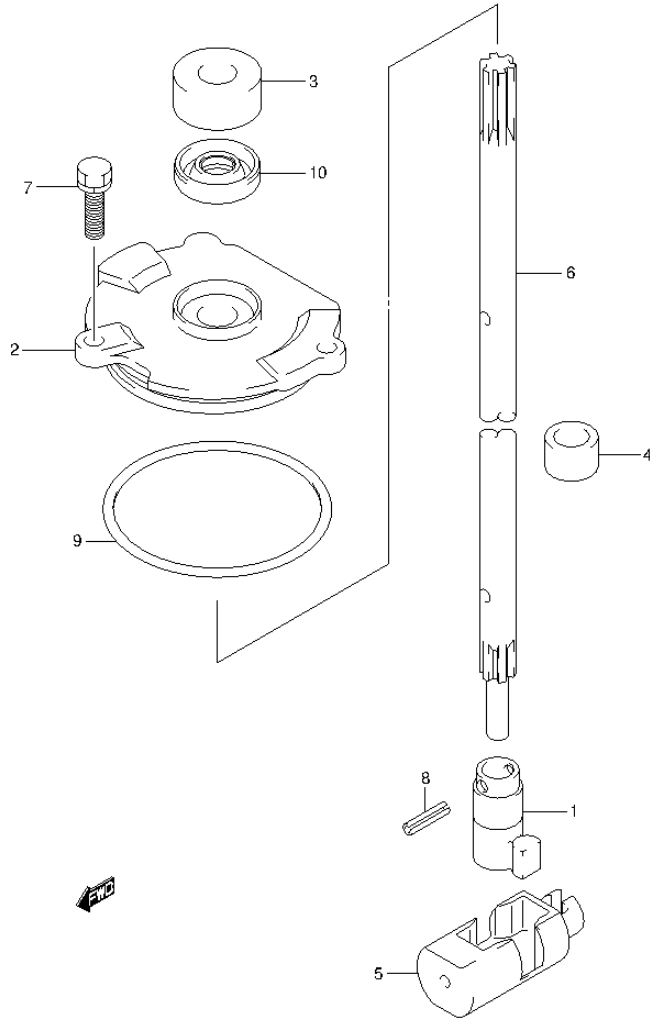


FIG.37 (1-D-14) CLUTCH ROD (DF140AZ E40)

REF NO.	PART NO.	DESCRIPTION	Q'TY	REMARKS
1	25131-92J00	YOKE, SHIFTER	1	
2	25141-92J00	HOUSING, SHIFT ROD GUIDE	1	
3	25222-92J00	COVER, SFT GUIDE HSG OIL SEAL	1	
4	25232-90J00	MAGNET, GEAR CASE	1	
5	25321-92J20	SLIDER, SHIFT HORIZONTAL	1	
6-1	25111-92J00	ROD ASSY, SHIFT (L)	1	W/TRANSOM(L)
6-2	25111-92J10	ROD ASSY, SHIFT (UL)	1	W/TRANSOM(X)
7	29116-93J00	BOLT (6X20)	2	
8	09205-04014	SPRING PIN (4X14)	2	
9	09280-69001	O RING (D:3.1,ID:68.5)	1	
10	09283-10011	OIL SEAL (10X22X8)	1	

FIG.38

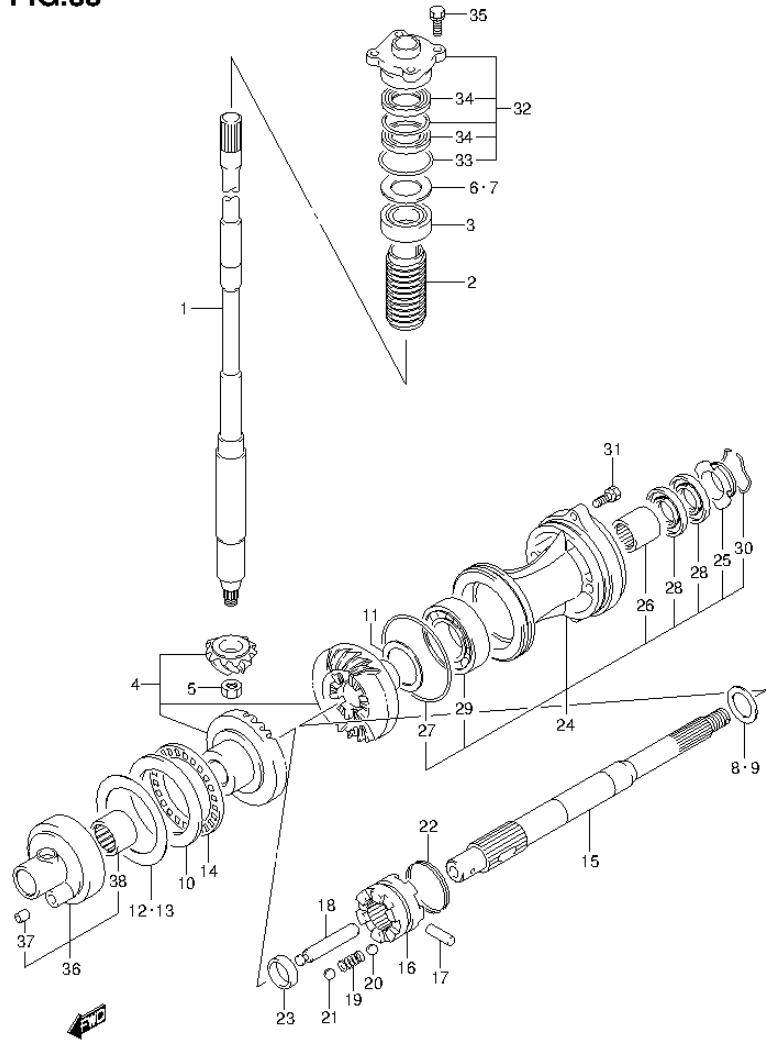


FIG.38 (1-D-15) TRANSMISSION (DF140AT E01)

REF NO.	PART NO.	DESCRIPTION	Q'TY	REMARKS
1-1	57110-92J60	SHAFT ASSY, DRIVE (L)	1	W/TRANSOM(L)
1-2	57110-92J70	SHAFT ASSY, DRIVE (X)	1	W/TRANSOM(X)
2	57133-90J01	COLLAR, DRIVE SHAFT	1	
3	09265-25040	BEARING (25X52X29.25)	1	
4	57300-92860	PINION/GEAR SET	1	
5	09140-14024	NUT	1	
6	57500-87873	SHIM SET, DRIVE SHAFT	1	
7-1	09181-40186	.SHIM (T:0.50)	1	
7-2	09181-41002	.SHIM (T:0.55)	1	
7-3	09181-41003	.SHIM (T:0.60)	1	
7-4	09181-41004	.SHIM (T:0.65)	1	
7-5	09181-41005	.SHIM (T:0.70)	1	
7-6	09181-41006	.SHIM (T:0.75)	1	
7-7	09181-40190	.SHIM (T:0.80)	1	
7-8	09181-41008	.SHIM (T:0.85)	1	
7-9	09181-41009	.SHIM (T:0.90)	1	
7-10	09181-41010	.SHIM (T:0.95)	1	
7-11	09181-40195	.SHIM (T:1.00)	1	
7-12	09181-41012	.SHIM (T:1.05)	1	
7-13	09181-41013	.SHIM (T:1.10)	1	
7-14	09181-41014	.SHIM (T:1.15)	1	
8	57500-87861	SHIM SET, PROP SHAFT REV	1	
9-1	08211-30382	.WASHER (T:1.5)	1	
9-2	09160-30036	.WASHER (T:1.7)	1	
9-3	09160-30037	.WASHER (T:1.9)	1	
9-4	09160-30038	.WASHER (T:2.1)	1	
9-5	09160-30039	.WASHER (T:2.3)	1	
9-6	09160-30041	.WASHER (T:2.4)	1	
9-7	09160-30042	.WASHER (T:2.6)	1	
9-8	09160-30043	.WASHER (T:2.7)	1	
9-9	09160-30044	.WASHER (T:2.8)	1	
10	09160-70002	WASHER (70X95X5.25)	1	FWD GEAR
11-1	09181-45003	SHIM (T:1.0)	1	REV GEAR
11-2	09181-45004	SHIM (T:1.1)	1	REV GEAR

FIG.38

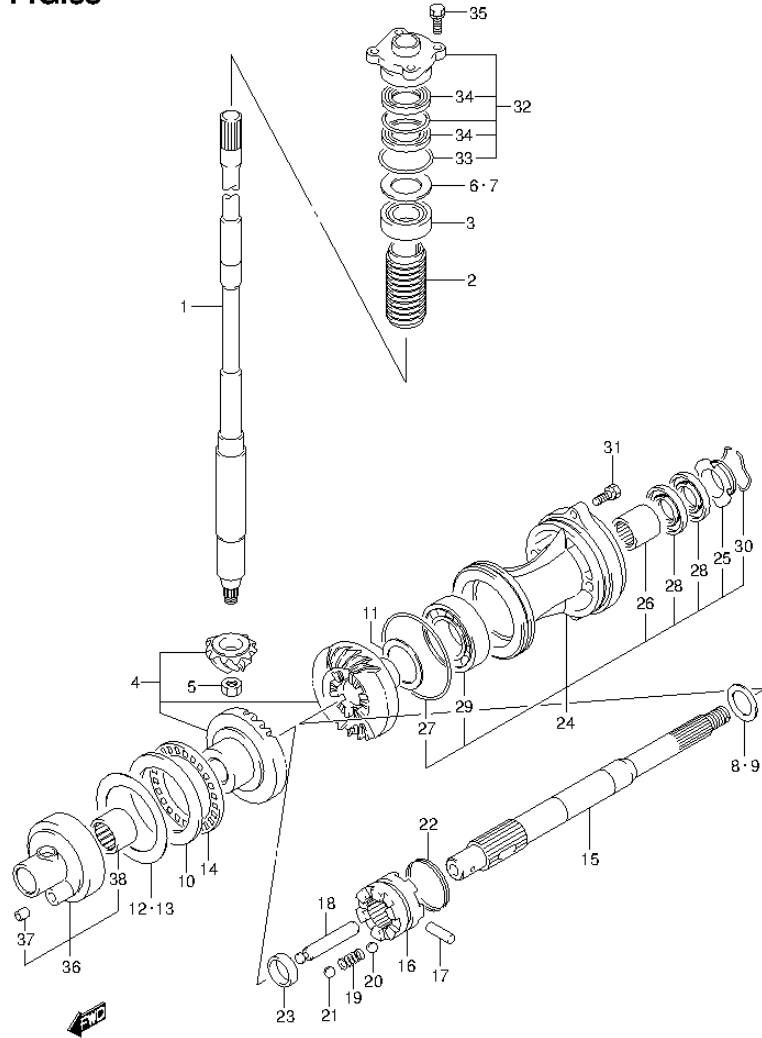


FIG.38 (1-E-2) TRANSMISSION (DF140AT E01)

REF NO.	PART NO.	DESCRIPTION	Q'TY	REMARKS
11-3	09181-45005	SHIM (T:1.2)	1	REV GEAR
11-4	09181-45006	SHIM (T:1.3)	1	REV GEAR
11-5	09181-45007	SHIM (T:1.4)	1	REV GEAR
11-6	09181-45008	SHIM (T:1.5)	1	REV GEAR
11-7	09181-45009	SHIM (T:1.6)	1	REV GEAR
12	57500-92813	SHIM SET, FWD GEAR	1	FWD GEAR
13-1	09181-70001	.SHIM (T:0.70)	1	FWD GEAR
13-2	09181-70002	.SHIM (T:0.80)	1	FWD GEAR
13-3	09181-70003	.SHIM (T:0.90)	1	FWD GEAR
13-4	09181-70004	.SHIM (T:1.00)	1	FWD GEAR
13-5	09181-70006	.SHIM (T:0.60)	1	FWD GEAR
13-6	09181-70009	.SHIM (T:0.65)	1	FWD GEAR
13-7	09181-70010	.SHIM (T:0.75)	1	FWD GEAR
13-8	09181-70011	.SHIM (T:0.85)	1	FWD GEAR
13-9	09181-70012	.SHIM (T:0.95)	1	FWD GEAR
14	09269-70001	BEARING (70X95X4)	1	
15	57610-92J20	SHAFT ASSY, PROPELLER	1	
16	57621-92J10	SHIFTER, CLUTCH DOG	1	
17	09202-07002	PIN (7X48)	1	
18	57631-92J00	PIN, CONNECTOR	1	
19	09440-09040	SPRING	1	
20	06111-07004	BALL	2	NO.1
21	06111-11004	BALL	2	NO.2
22	09440-49004	SPRING	1	
23	57616-90J00	SPACER, CLUTCH DOG FWD	1	
24	56120-92J01-0EP	HOUSING, PROP SFT BRG (BLACK)	1	
25	56123-92J00	.WASHER, OIL SEAL PROTECTOR	1	
26	09263-30051	.BEARING (30X37X26)	1	
27	09280-97001	.O RING (D:3.5,ID:95)	1	
28	09282-30007	.OIL SEAL (30X50X6)	2	
29	08113-62090	.BEARING	1	
30	09387-52001	.RING	1	
31	09117-08047	BOLT (8X30)	2	
32	56130-90J00	HOUSING	1	

FIG.38

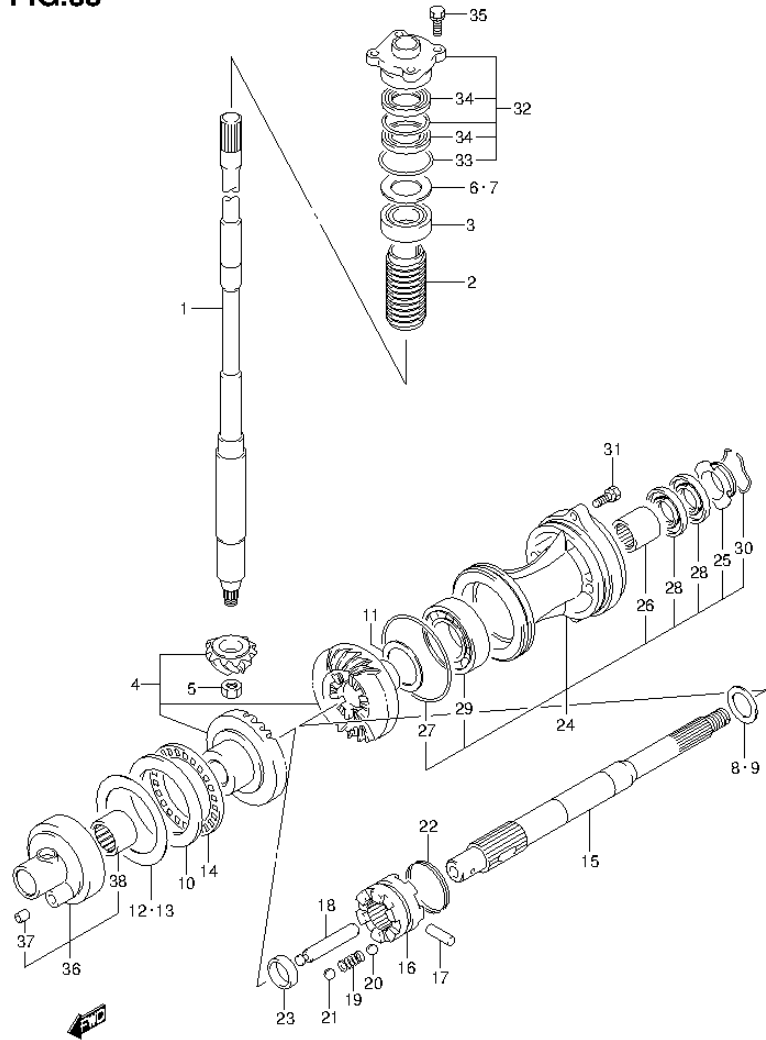


FIG.38 (1-E-3) TRANSMISSION (DF140AT E01)

REF NO.	PART NO.	DESCRIPTION	Q'TY	REMARKS
33	09280-46004	.O RING (D:3.5,ID:45.7)	1	
34	09282-24004	.OIL SEAL (24X40X7)	2	
35	09117-08110	BOLT (8X25)	4	
36	56140-92J00	HOUSING, FWD GEAR BRG	1	
37	09206-09012	.PIN (7.4X9X10)	1	
38	09263-50001	.BEARING (50X62X25)	1	

FIG.39

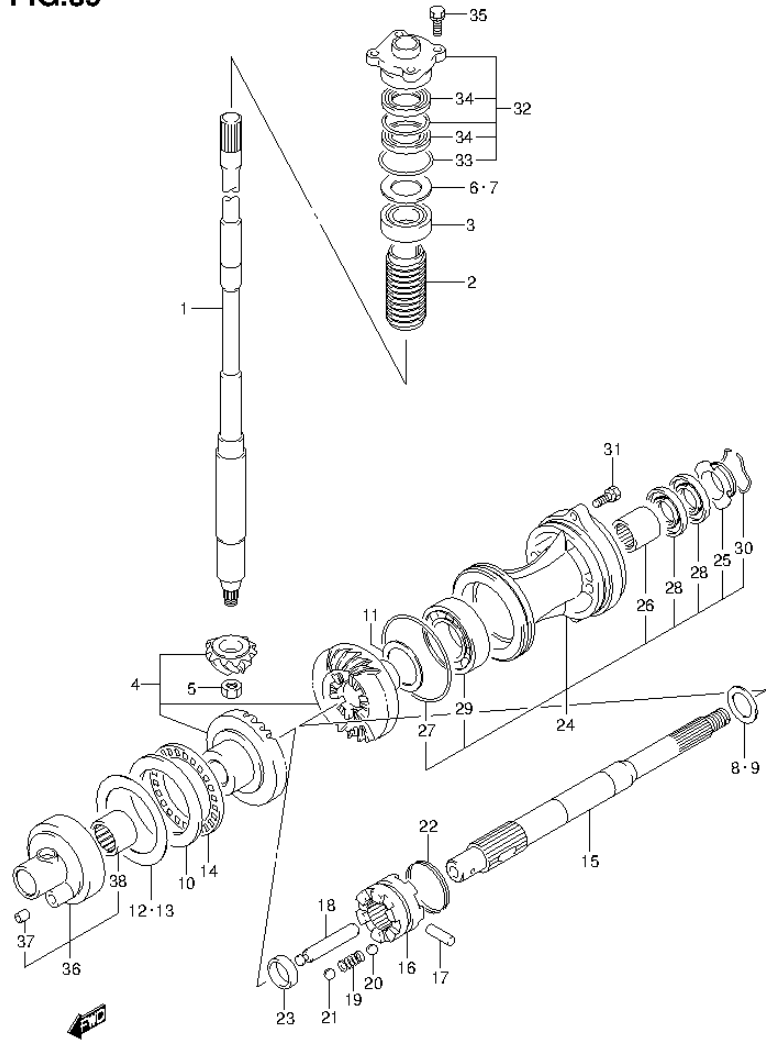


FIG.39 (1-E-4) TRANSMISSION (DF140AT E40)

REF NO.	PART NO.	DESCRIPTION	Q'TY	REMARKS
1-1	57110-92J60	SHAFT ASSY, DRIVE (L)	1	W/TRANSOM(L)
1-2	57110-92J70	SHAFT ASSY, DRIVE (X)	1	W/TRANSOM(X)
2	57133-90J01	COLLAR, DRIVE SHAFT	1	
3	09265-25040	BEARING (25X52X29.25)	1	
4	57300-92860	PINION/GEAR SET	1	
5	09140-14024	NUT	1	
6	57500-87873	SHIM SET, DRIVE SHAFT	1	
7-1	09181-40186	.SHIM (T:0.50)	1	
7-2	09181-41002	.SHIM (T:0.55)	1	
7-3	09181-41003	.SHIM (T:0.60)	1	
7-4	09181-41004	.SHIM (T:0.65)	1	
7-5	09181-41005	.SHIM (T:0.70)	1	
7-6	09181-41006	.SHIM (T:0.75)	1	
7-7	09181-40190	.SHIM (T:0.80)	1	
7-8	09181-41008	.SHIM (T:0.85)	1	
7-9	09181-41009	.SHIM (T:0.90)	1	
7-10	09181-41010	.SHIM (T:0.95)	1	
7-11	09181-40195	.SHIM (T:1.00)	1	
7-12	09181-41012	.SHIM (T:1.05)	1	
7-13	09181-41013	.SHIM (T:1.10)	1	
7-14	09181-41014	.SHIM (T:1.15)	1	
8	57500-87861	SHIM SET, PROP SHAFT REV	1	
9-1	08211-30382	.WASHER (T:1.5)	1	
9-2	09160-30036	.WASHER (T:1.7)	1	
9-3	09160-30037	.WASHER (T:1.9)	1	
9-4	09160-30038	.WASHER (T:2.1)	1	
9-5	09160-30039	.WASHER (T:2.3)	1	
9-6	09160-30041	.WASHER (T:2.4)	1	
9-7	09160-30042	.WASHER (T:2.6)	1	
9-8	09160-30043	.WASHER (T:2.7)	1	
9-9	09160-30044	.WASHER (T:2.8)	1	
10	09160-70002	WASHER (70X95X5.25)	1	FWD GEAR
11-1	09181-45003	SHIM (T:1.0)	1	REV GEAR
11-2	09181-45004	SHIM (T:1.1)	1	REV GEAR

FIG.39

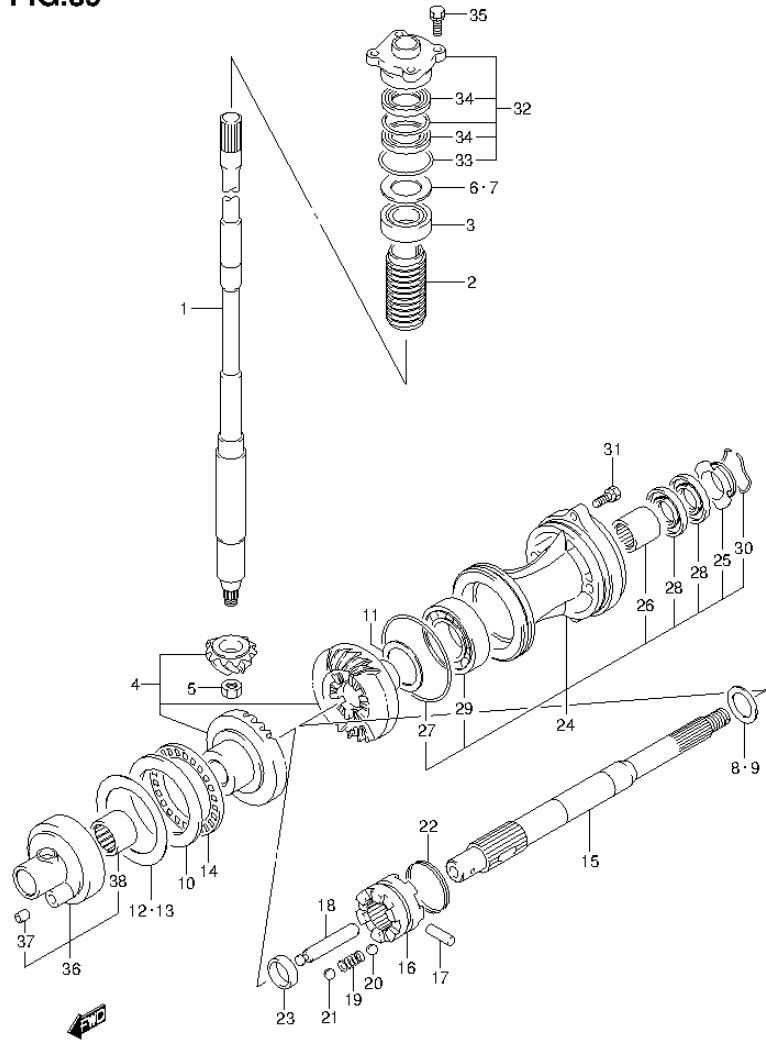


FIG.39 (1-E-5) TRANSMISSION (DF140AT E40)

REF NO.	PART NO.	DESCRIPTION	Q'TY	REMARKS
11-3	09181-45005	SHIM (T:1.2)	1	REV GEAR
11-4	09181-45006	SHIM (T:1.3)	1	REV GEAR
11-5	09181-45007	SHIM (T:1.4)	1	REV GEAR
11-6	09181-45008	SHIM (T:1.5)	1	REV GEAR
11-7	09181-45009	SHIM (T:1.6)	1	REV GEAR
12	57500-92813	SHIM SET, FWD GEAR	1	FWD GEAR
13-1	09181-70001	.SHIM (T:0.70)	1	FWD GEAR
13-2	09181-70002	.SHIM (T:0.80)	1	FWD GEAR
13-3	09181-70003	.SHIM (T:0.90)	1	FWD GEAR
13-4	09181-70004	.SHIM (T:1.00)	1	FWD GEAR
13-5	09181-70006	.SHIM (T:0.60)	1	FWD GEAR
13-6	09181-70009	.SHIM (T:0.65)	1	FWD GEAR
13-7	09181-70010	.SHIM (T:0.75)	1	FWD GEAR
13-8	09181-70011	.SHIM (T:0.85)	1	FWD GEAR
13-9	09181-70012	.SHIM (T:0.95)	1	FWD GEAR
14	09269-70001	BEARING (70X95X4)	1	
15	57610-92J20	SHAFT ASSY, PROPELLER	1	
16	57621-92J10	SHIFTER, CLUTCH DOG	1	
17	09202-07002	PIN (7X48)	1	
18	57631-92J00	PIN, CONNECTOR	1	
19	09440-09040	SPRING	1	
20	06111-07004	BALL	2	NO.1
21	06111-11004	BALL	2	NO.2
22	09440-49004	SPRING	1	
23	57616-90J00	SPACER, CLUTCH DOG FWD	1	
24	56120-92J01-0EP	HOUSING, PROP SFT BRG (BLACK)	1	
25	56123-92J00	.WASHER, OIL SEAL PROTECTOR	1	
26	09263-30051	.BEARING (30X37X26)	1	
27	09280-97001	.O RING (D:3.5,ID:95)	1	
28	09282-30007	.OIL SEAL (30X50X6)	2	
29	08113-62090	.BEARING	1	
30	09387-52001	.RING	1	
31	09117-08047	BOLT (8X30)	2	
32	56130-90J00	HOUSING	1	

FIG.39

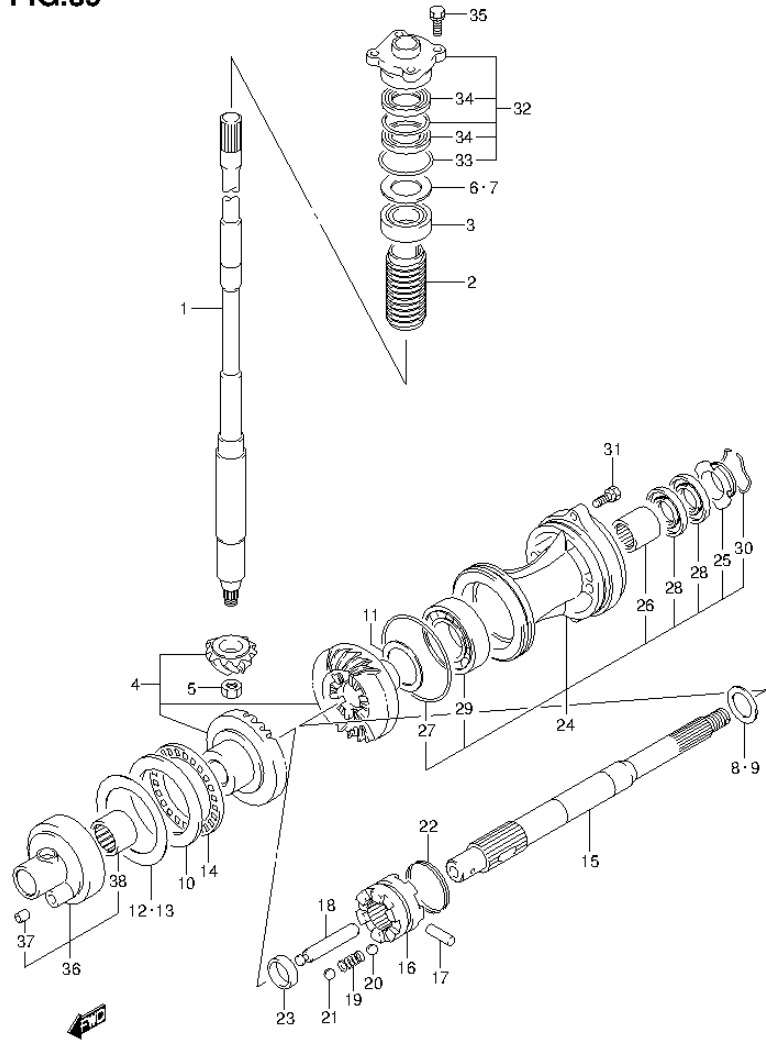


FIG.39 (1-E-6) TRANSMISSION (DF140AT E40)

REF NO.	PART NO.	DESCRIPTION	Q'TY	REMARKS
33	09280-46004	.O RING (D:3.5,ID:45.7)	1	
34	09282-24004	.OIL SEAL (24X40X7)	2	
35	09117-08110	BOLT (8X25)	4	
36	56140-92J00	HOUSING, FWD GEAR BRG	1	
37	09206-09012	.PIN (7.4X9X10)	1	
38	09263-50001	.BEARING (50X62X25)	1	

FIG.40

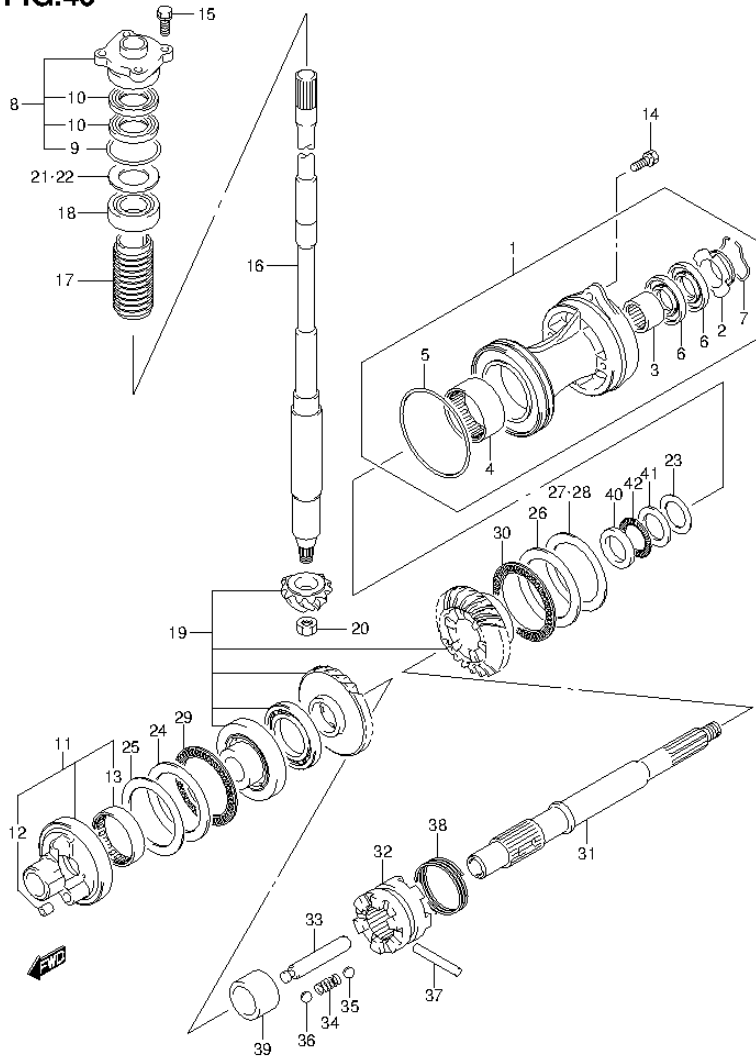


FIG.40 (1-E-7) TRANSMISSION (DF140AZ E01)

REF NO.	PART NO.	DESCRIPTION	Q'TY	REMARKS
1	56120-92J12-0EP	HOUSING, PROP SFT BRG (BLACK)	1	
2	56123-92J00	.WASHER, OIL SEAL PROTECTOR	1	
3	09263-30051	.BEARING (30X37X26)	1	
4	09263-50001	.BEARING (50X62X25)	1	
5	09280-97001	.O RING (D:3.5;ID:95)	1	
6	09282-30007	.OIL SEAL (30X50X6)	2	
7	09387-52001	.CIRCLIP	1	
8	56130-90J00	HOUSING, DRIVE SHAFT BRG	1	
9	09280-46004	.O RING (D:3.5;ID:45.7)	1	
10	09282-24004	.OIL SEAL (24X40X7)	2	
11	56140-92J30	HOUSING, REV GEAR BRG	1	
12	09206-09012	.PIN (7.4X9X10)	1	
13	09263-45004	.BEARING (45X52X16)	1	
14	09117-08047	BOLT (8X30)	2	
15	09117-08110	BOLT (8X25)	4	
16-1	57110-92J60	SHAFT, DRIVE (L)	1	W/TRANSOM(L)
16-2	57110-92J70	SHAFT, DRIVE (X)	1	W/TRANSOM(X)
17	57133-90J01	COLLAR, DRIVE SHAFT	1	
18	09265-25040	BEARING (25X52X29.25)	1	
19	57300-92870	PINION/GEAR SET	1	
20	09140-14024	NUT	1	
21	57500-87873	SHIM SET, DRIVE SHAFT	1	
22-1	09181-40186	.SHIM (T:0.50)	1	
22-2	09181-41002	.SHIM (T:0.55)	1	
22-3	09181-41003	.SHIM (T:0.60)	1	
22-4	09181-41004	.SHIM (T:0.65)	1	
22-5	09181-41005	.SHIM (T:0.70)	1	
22-6	09181-41006	.SHIM (T:0.75)	1	
22-7	09181-40190	.SHIM (T:0.80)	1	
22-8	09181-41008	.SHIM (T:0.85)	1	
22-9	09181-41009	.SHIM (T:0.90)	1	
22-10	09181-41010	.SHIM (T:0.95)	1	
22-11	09181-40195	.SHIM (T:1.00)	1	
22-12	09181-41012	.SHIM (T:1.05)	1	

FIG.40

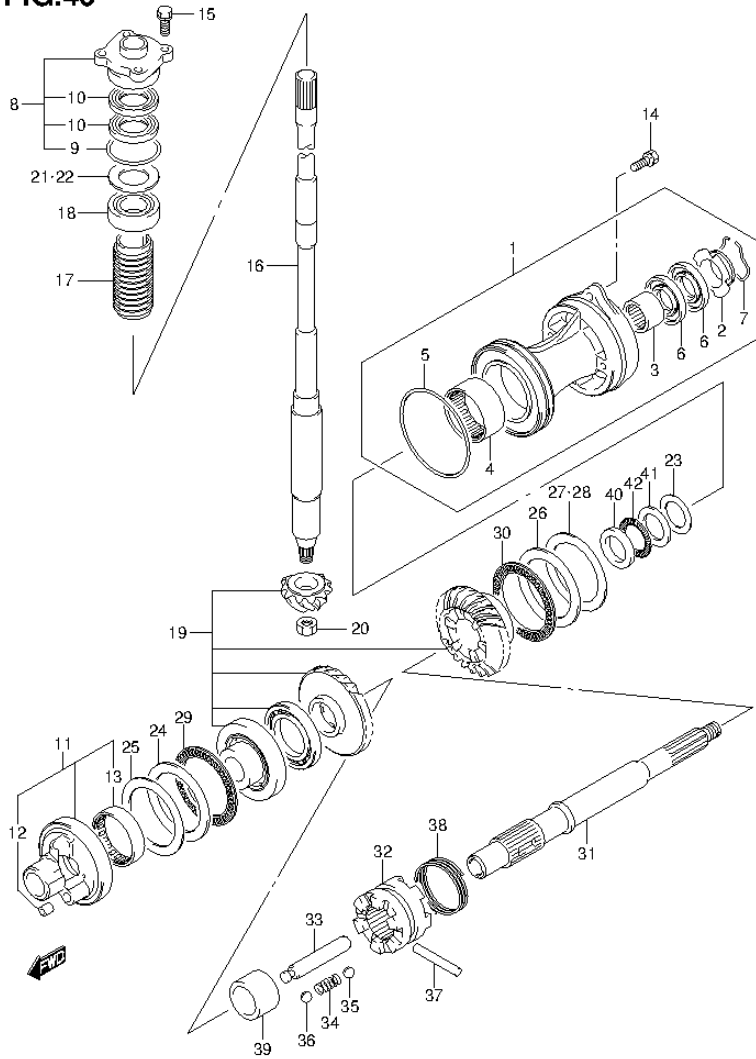


FIG.40 (1-E-8) TRANSMISSION (DF140AZ E01)

REF NO.	PART NO.	DESCRIPTION	Q'TY	REMARKS
22-13	09181-41013	.SHIM (T:1.10)	1	
22-14	09181-41014	.SHIM (T:1.15)	1	
23-1	09160-35015	WASHER (T:0.60)	1	PROP SAFT REV
23-2	09160-35014	WASHER (T:0.70)	1	PROP SAFT REV
23-3	09160-35013	WASHER (T:0.80)	1	PROP SAFT REV
23-4	09160-35006	WASHER (T:0.90)	1	PROP SAFT REV
23-5	09160-35008	WASHER (T:0.95)	1	PROP SAFT REV
23-6	09160-35002	WASHER (T:1.00)	1	PROP SAFT REV
23-7	09160-35009	WASHER (T:1.05)	1	PROP SAFT REV
23-8	09160-35003	WASHER (T:1.10)	1	PROP SAFT REV
23-9	09160-35010	WASHER (T:1.15)	1	PROP SAFT REV
24	09160-60011	WASHER (60X85X3)	1	REV GEAR
25-1	09160-60008	WASHER (T:0.8)	1	REV GEAR
25-2	09160-60009	WASHER (T:0.9)	1	REV GEAR
25-3	09160-60003	WASHER (T:1.0)	1	REV GEAR
25-4	09160-60004	WASHER (T:1.1)	1	REV GEAR
25-5	09160-60005	WASHER (T:1.2)	1	REV GEAR
25-6	09160-60006	WASHER (T:1.3)	1	REV GEAR
25-7	09160-60007	WASHER (T:1.4)	1	REV GEAR
26	09160-70005	WASHER (70X95X2)	1	FWD GEAR
27	57500-92813	SHIM SET, FWD GEAR	1	FWD GEAR
28-1	09181-70006	.SHIM (T:0.60)	1	FWD GEAR
28-2	09181-70009	.SHIM (T:0.65)	1	FWD GEAR
28-3	09181-70001	.SHIM (T:0.70)	1	FWD GEAR
28-4	09181-70010	.SHIM (T:0.75)	1	FWD GEAR
28-5	09181-70002	.SHIM (T:0.80)	1	FWD GEAR
28-6	09181-70011	.SHIM (T:0.85)	1	FWD GEAR
28-7	09181-70003	.SHIM (T:0.90)	1	FWD GEAR
28-8	09181-70012	.SHIM (T:0.95)	1	FWD GEAR
28-9	09181-70004	.SHIM (T:1.00)	1	FWD GEAR
29	09269-60001	BEARING (60X85X3)	1	REV
30	09269-70001	BEARING (70X95X4)	1	FWD
31	57610-92J31	SHAFT, PROPELLER	1	
32	57621-92J10	SHIFTER, CLUTCH DOG	1	

FIG.40

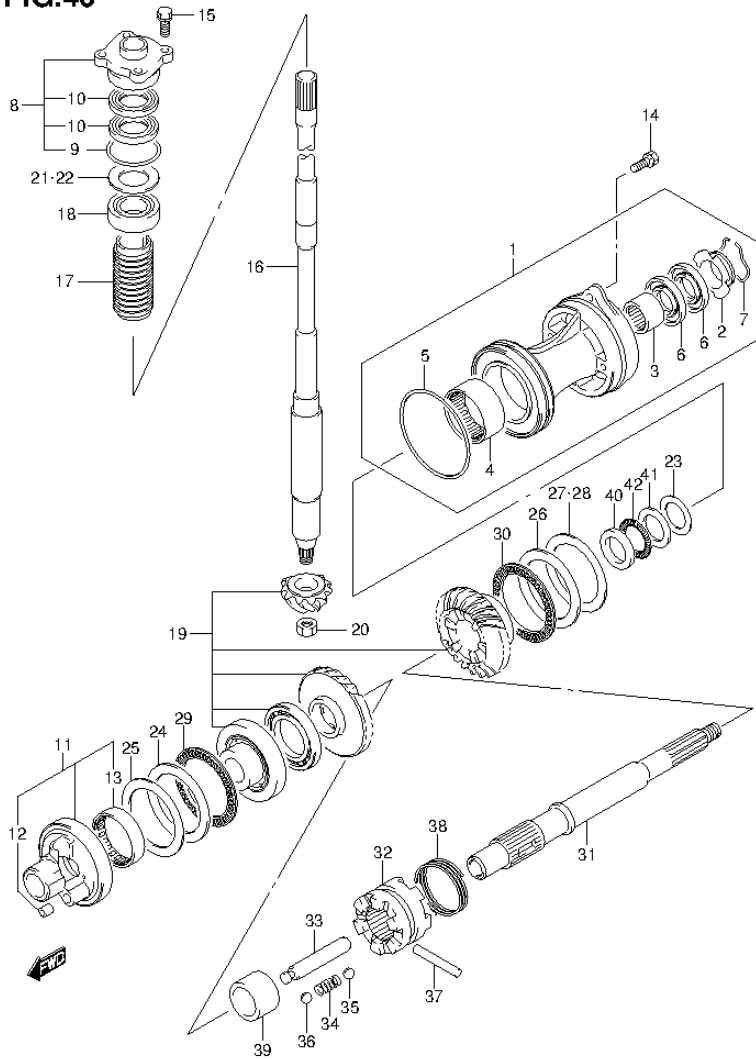


FIG.40 (1-E-9) TRANSMISSION (DF140AZ E01)

REF NO.	PART NO.	DESCRIPTION	Q'TY	REMARKS
33	57631-92J00	PIN, CONNECTOR	1	
34	09440-09040	SPRING	1	
35	06111-07004	BALL	2	NO.1
36	06111-11004	BALL	2	NO.2
37	09202-07002	PIN (7X48)	1	
38	09440-49004	SPRING	1	
39	57616-92J00	SPACER, CLUTCH DOG FWD	1	
40	09160-30055	WASHER (30X47X6)	1	PROP SAFT REV
41	09160-30056	WASHER (32X47X3)	1	PROP SAFT REV
42	09269-30014	BEARING (30X47X2)	1	PROP SAFT REV

FIG.41

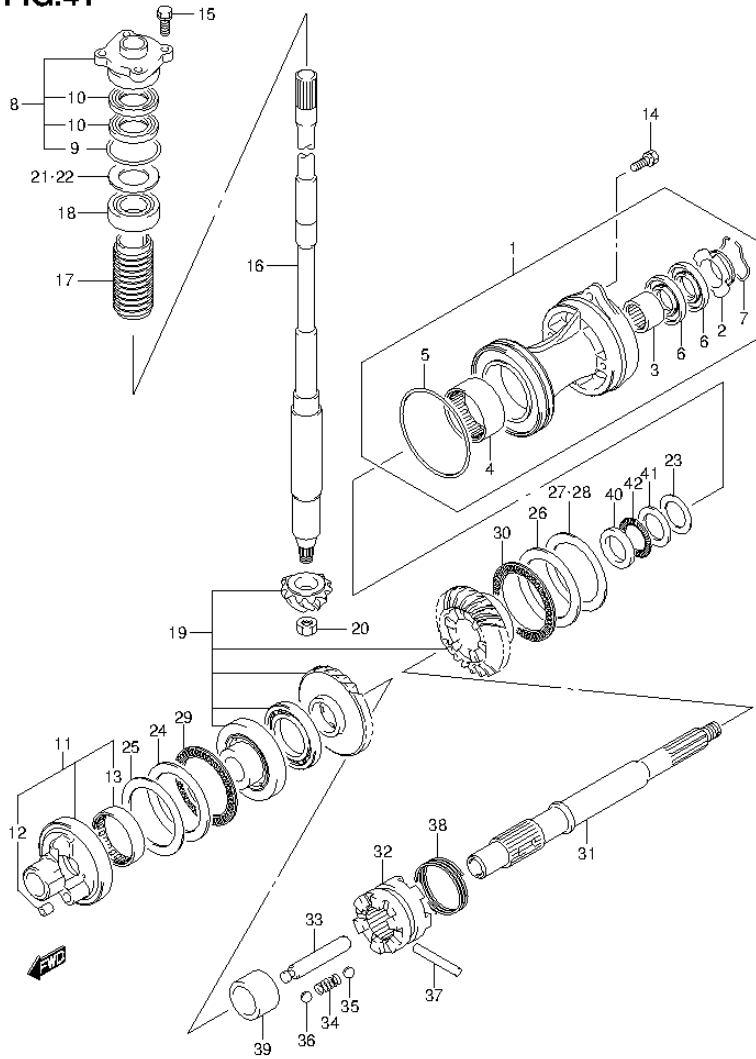


FIG.41 (1-E-10) TRANSMISSION (DF140AZ E40)

REF NO.	PART NO.	DESCRIPTION	Q'TY	REMARKS
1	56120-92J12-0EP	HOUSING, PROP SFT BRG (BLACK)	1	
2	56123-92J00	.WASHER, OIL SEAL PROTECTOR	1	
3	09263-30051	.BEARING (30X37X26)	1	
4	09263-50001	.BEARING (50X62X25)	1	
5	09280-97001	.O RING (D:3.5;ID:95)	1	
6	09282-30007	.OIL SEAL (30X50X6)	2	
7	09387-52001	.CIRCLIP	1	
8	56130-90J00	HOUSING, DRIVE SHAFT BRG	1	
9	09280-46004	.O RING (D:3.5;ID:45.7)	1	
10	09282-24004	.OIL SEAL (24X40X7)	2	
11	56140-92J30	HOUSING, REV GEAR BRG	1	
12	09206-09012	.PIN (7.4X9X10)	1	
13	09263-45004	.BEARING (45X52X16)	1	
14	09117-08047	BOLT (8X30)	2	
15	09117-08110	BOLT (8X25)	4	
16-1	57110-92J60	SHAFT, DRIVE (L)	1	W/TRANSOM(L)
16-2	57110-92J70	SHAFT, DRIVE (X)	1	W/TRANSOM(X)
17	57133-90J01	COLLAR, DRIVE SHAFT	1	
18	09265-25040	BEARING (25X52X29.25)	1	
19	57300-92870	PINION/GEAR SET	1	
20	09140-14024	NUT	1	
21	57500-87873	SHIM SET, DRIVE SHAFT	1	
22-1	09181-40186	.SHIM (T:0.50)	1	
22-2	09181-41002	.SHIM (T:0.55)	1	
22-3	09181-41003	.SHIM (T:0.60)	1	
22-4	09181-41004	.SHIM (T:0.65)	1	
22-5	09181-41005	.SHIM (T:0.70)	1	
22-6	09181-41006	.SHIM (T:0.75)	1	
22-7	09181-40190	.SHIM (T:0.80)	1	
22-8	09181-41008	.SHIM (T:0.85)	1	
22-9	09181-41009	.SHIM (T:0.90)	1	
22-10	09181-41010	.SHIM (T:0.95)	1	
22-11	09181-40195	.SHIM (T:1.00)	1	
22-12	09181-41012	.SHIM (T:1.05)	1	

FIG.41

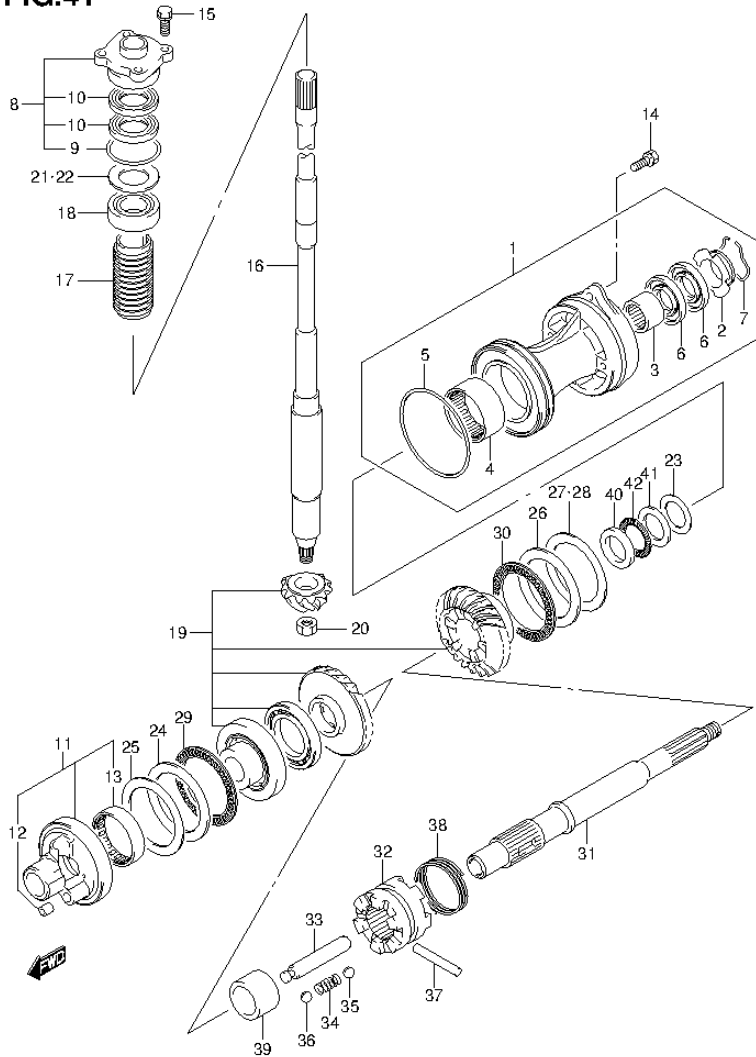


FIG.41 (1-E-11) TRANSMISSION (DF140AZ E40)

REF NO.	PART NO.	DESCRIPTION	Q'TY	REMARKS
22-13	09181-41013	.SHIM (T:1.10)	1	
22-14	09181-41014	.SHIM (T:1.15)	1	
23-1	09160-35015	WASHER (T:0.60)	1	PROP SAFT REV
23-2	09160-35014	WASHER (T:0.70)	1	PROP SAFT REV
23-3	09160-35013	WASHER (T:0.80)	1	PROP SAFT REV
23-4	09160-35006	WASHER (T:0.90)	1	PROP SAFT REV
23-5	09160-35008	WASHER (T:0.95)	1	PROP SAFT REV
23-6	09160-35002	WASHER (T:1.00)	1	PROP SAFT REV
23-7	09160-35009	WASHER (T:1.05)	1	PROP SAFT REV
23-8	09160-35003	WASHER (T:1.10)	1	PROP SAFT REV
23-9	09160-35010	WASHER (T:1.15)	1	PROP SAFT REV
24	09160-60011	WASHER (60X85X3)	1	REV GEAR
25-1	09160-60008	WASHER (T:0.8)	1	REV GEAR
25-2	09160-60009	WASHER (T:0.9)	1	REV GEAR
25-3	09160-60003	WASHER (T:1.0)	1	REV GEAR
25-4	09160-60004	WASHER (T:1.1)	1	REV GEAR
25-5	09160-60005	WASHER (T:1.2)	1	REV GEAR
25-6	09160-60006	WASHER (T:1.3)	1	REV GEAR
25-7	09160-60007	WASHER (T:1.4)	1	REV GEAR
26	09160-70005	WASHER (70X95X2)	1	FWD GEAR
27	57500-92813	SHIM SET, FWD GEAR	1	FWD GEAR
28-1	09181-70006	.SHIM (T:0.60)	1	FWD GEAR
28-2	09181-70009	.SHIM (T:0.65)	1	FWD GEAR
28-3	09181-70001	.SHIM (T:0.70)	1	FWD GEAR
28-4	09181-70010	.SHIM (T:0.75)	1	FWD GEAR
28-5	09181-70002	.SHIM (T:0.80)	1	FWD GEAR
28-6	09181-70011	.SHIM (T:0.85)	1	FWD GEAR
28-7	09181-70003	.SHIM (T:0.90)	1	FWD GEAR
28-8	09181-70012	.SHIM (T:0.95)	1	FWD GEAR
28-9	09181-70004	.SHIM (T:1.00)	1	FWD GEAR
29	09269-60001	BEARING (60X85X3)	1	REV
30	09269-70001	BEARING (70X95X4)	1	FWD
31	57610-92J31	SHAFT, PROPELLER	1	
32	57621-92J10	SHIFTER, CLUTCH DOG	1	

FIG.41

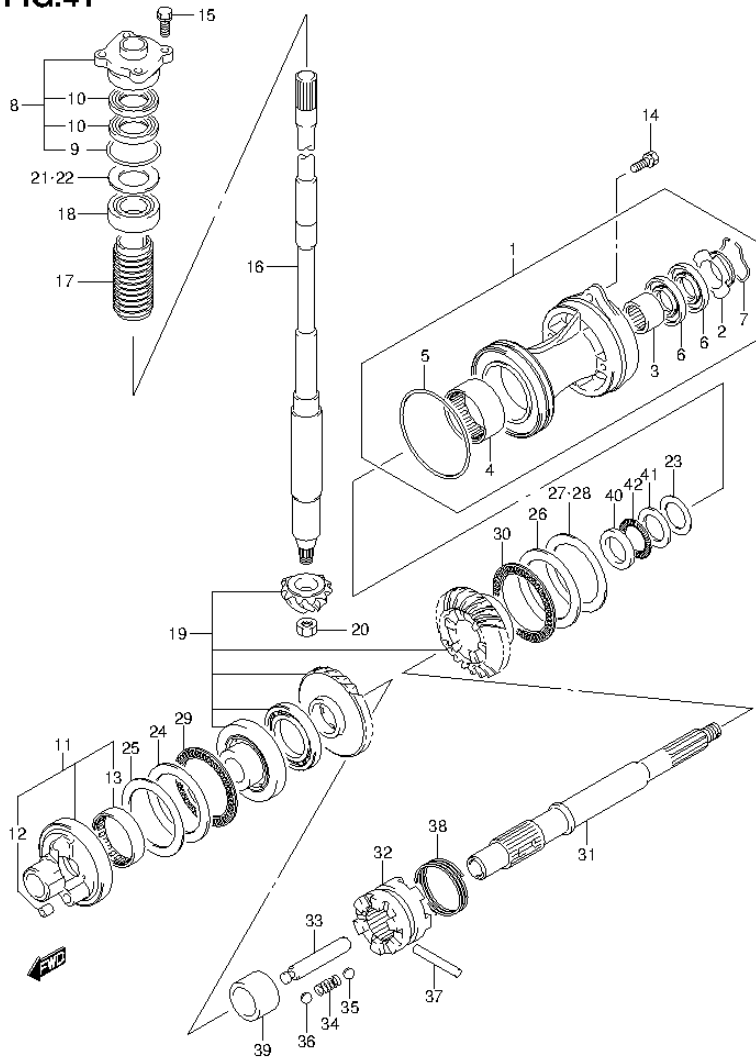


FIG.41 (1-E-12) TRANSMISSION (DF140AZ E40)

REF NO.	PART NO.	DESCRIPTION	Q'TY	REMARKS
33	57631-92J00	PIN, CONNECTOR	1	
34	09440-09040	SPRING	1	
35	06111-07004	BALL	2	NO.1
36	06111-11004	BALL	2	NO.2
37	09202-07002	PIN (7X48)	1	
38	09440-49004	SPRING	1	
39	57616-92J00	SPACER, CLUTCH DOG FWD	1	
40	09160-30055	WASHER (30X47X6)	1	PROP SAFT REV
41	09160-30056	WASHER (32X47X3)	1	PROP SAFT REV
42	09269-30014	BEARING (30X47X2)	1	PROP SAFT REV

FIG.42

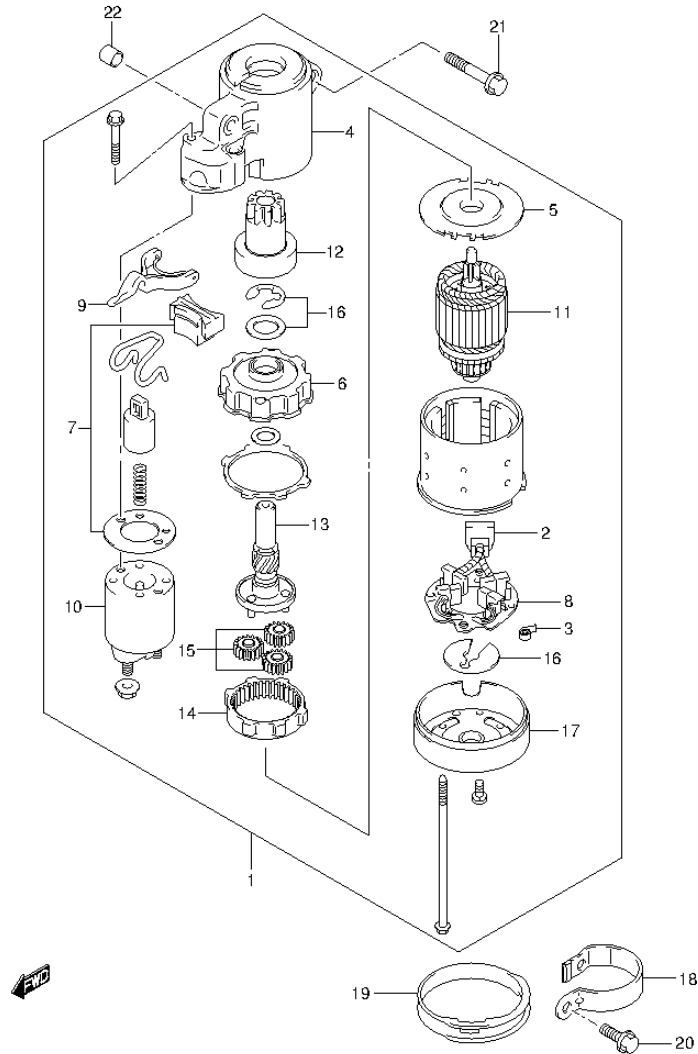


FIG.42 (1-E-13) STARTING MOTOR

REF NO.	PART NO.	DESCRIPTION	Q'TY	REMARKS
1	31100-90J01	STARTING MOTOR	1	
2	31131-90J01	.BRUSH SET, PLUS	1	
3	31135-90J00	.SPRING	4	
4	31151-90J00	.CASE, GEAR	1	
5	31152-90J00	.PLATE, CENTER	1	
6	31153-90J00	.BRACKET, PLANET GEAR	1	
7	31171-90J00	.COVER KIT, DUST	1	
8	31173-90J01	.HOLDER, BRUSH	1	
9	31191-90J00	.LEVER, SHIFT	1	
10	31220-90J00	.SWITCH, MAGNET	1	
11	31310-90J00	.ARMATURE	1	
12	31320-90J00	.PINION	1	
13	31341-90J00	.SHAFT, PINION	1	
14	31343-90J00	.INTERNAL GEAR	1	
15	31344-90J00	.GEAR, PLANETARY	3	
16	31360-90J00	.WASHER SET	1	
17	31170-90J00	.COVER ASSY, REAR	1	
18	31912-90J00	BAND, STARTING MOTOR	1	
19	31918-90J10	DAMPER, LOWER	1	
20	01550-08207	BOLT	2	
21	01550-10507	BOLT	2	
22	04211-13149	PIN	2	

FIG.43

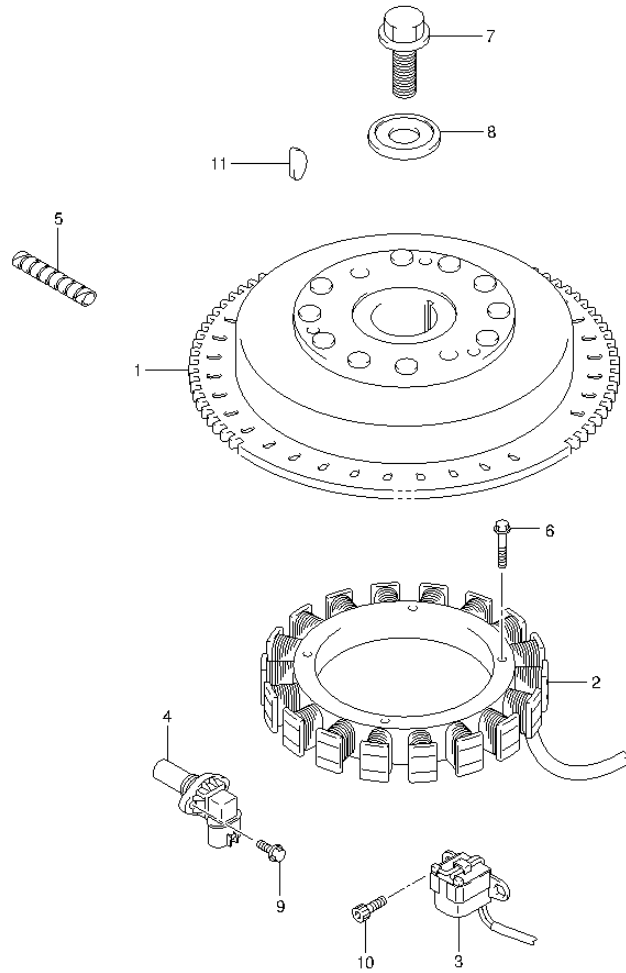


FIG.43 (1-E-14) MAGNETO

REF NO.	PART NO.	DESCRIPTION	Q'TY	REMARKS
1	32102-92J20	FLYWHEEL	1	
2	32120-92J00	COIL, BATTERY CHARGING	1	
3	32160-92J00	COIL, IGNITION TIMING	1	
4	33220-50M10	SENSOR, CAM POSITION	1	
5	33833-91J00	TUBE	1	L:250->100
6	09103-06231	BOLT (6X35)	4	
7	09103-16004	BOLT (16X50)	1	
8	09160-16048	WASHER (16.5X60X7)	1	
9	01547-06167	BOLT	1	
10	09106-05030	BOLT (5X10)	2	
11	08341-31059	KEY	1	

FIG.44

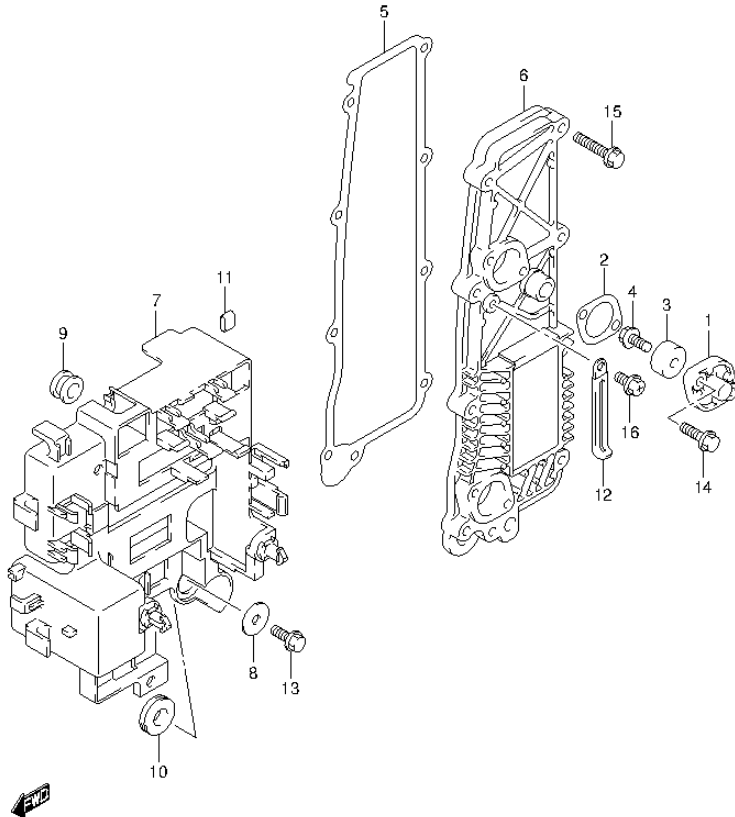


FIG.44 (1-E-15) RECTIFIER

REF NO.	PART NO.	DESCRIPTION	Q'TY	REMARKS
1	11261-87E10	COVER, PROTECTION ANODE	2	
2	11265-87E10	GASKET, PROTECTION COVER	2	
3-1	55321-87J00	ANODE, PROTECTION	2	
3-2	55321-87J10	ANODE (MAGNESIUM)	2	OPT
4	09103-06281	BOLT (6X14)	2	
5	14151-90J00	GASKET, RECTIFIER	1	
6	32800-92J00	RECTIFIER & REGULATOR	1	
7	32890-92J00	HOLDER, ELECTRIC PARTS	1	
8	09160-06054	WASHER (6.5X22X1.6)	1	
9	09320-10008	CUSHION	2	
10	09320-12011	CUSHION	1	
11	09329-01007	CUSHION	1	
12	29404-93J10	CLAMP	1	
13	01550-06167	BOLT	1	
14	01550-06207	BOLT	4	
15	01550-06307	BOLT	9	
16	02162-06127	BOLT	1	

FIG.45

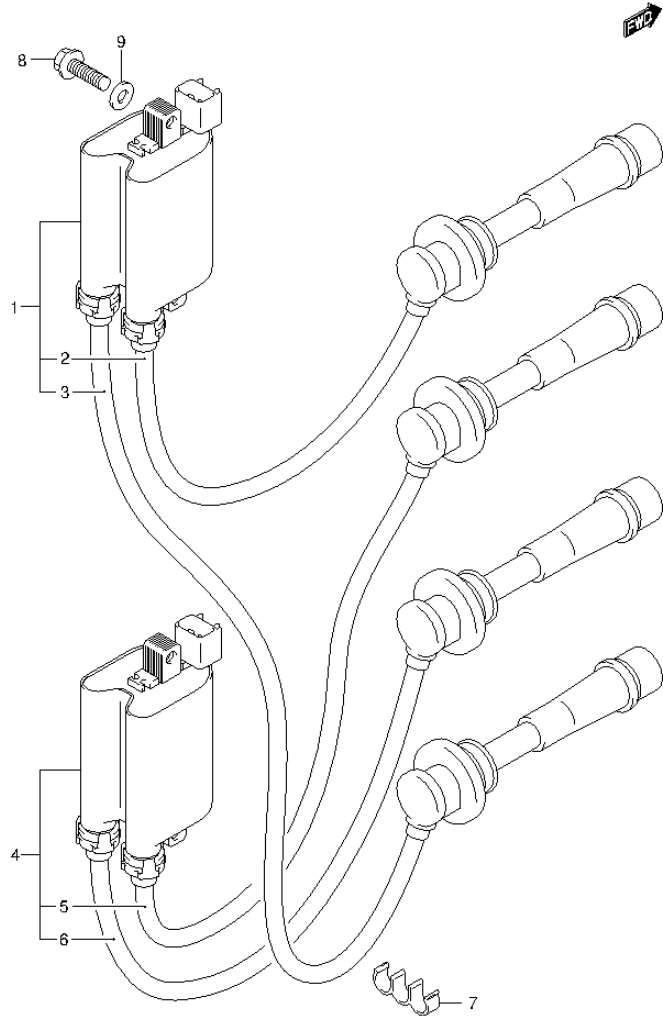


FIG.45 (1-F-2) IGNITION COIL

REF NO.	PART NO.	DESCRIPTION	Q'TY	REMARKS
1	33410-90J00	COIL ASSY, IGNITION	1	
2	33710-90J00	.CORD, HIGH TENSION	1	NO.1
3	33740-90J00	.CORD, HIGH TENSION	1	NO.4
4	33420-90J00	COIL ASSY, IGNITION	1	
5	33720-90J00	.CORD, HIGH TENSION	1	NO.2
6	33730-90J00	.CORD, HIGH TENSION	1	NO.3
7	09408-00035	CLIP	2	
8	01550-06257	BOLT	4	
9	08322-01067	WASHER	4	

FIG.46

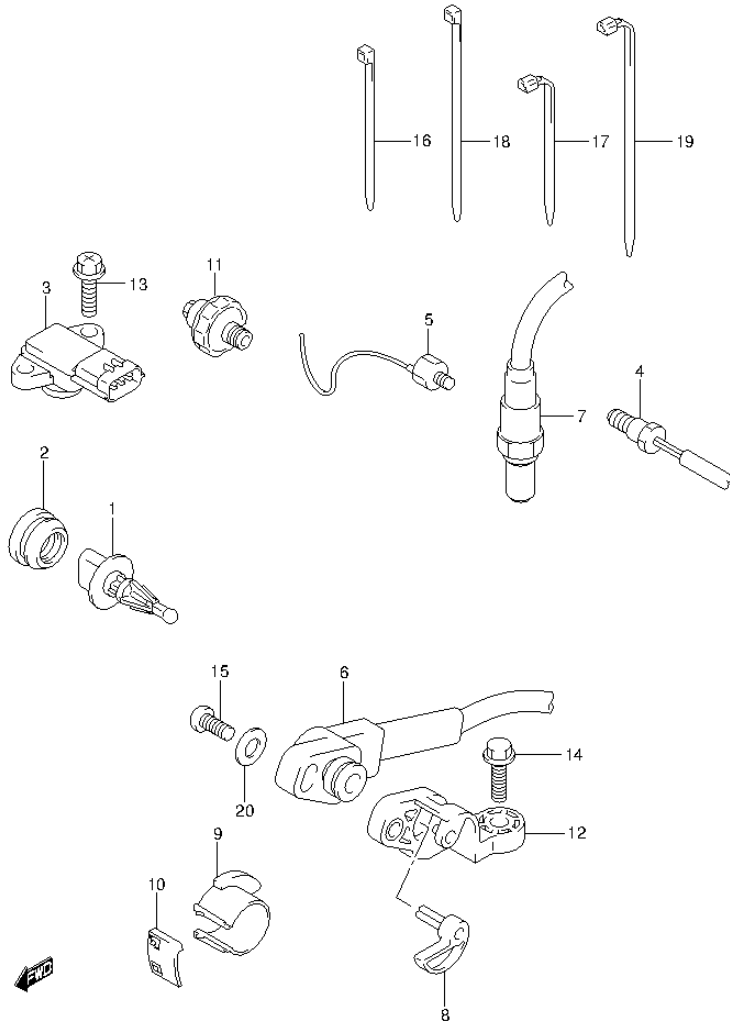


FIG.46 (1-F-3) SENSOR

REF NO.	PART NO.	DESCRIPTION	Q'TY	REMARKS
1	13650-52G00	SENSOR, INLET AIR TEMP	1	
2	13655-87J00	GROMMET, AIR TEMP SENSOR	1	
3	18590-68H00	SENSOR, PRESSURE	1	
4	34830-87J20	SENSOR ASSY, EXHAUST TEMP	2	
5	18640-78G00	SENSOR ASSY, NOCK	1	
6	34840-98J03	SENSOR ASSY, TRIM	1	
7	18213-98J00	SENSOR, OXYGEN	1	
8	34841-92J00	LEVER, TRIM SENSOR	1	
9	34842-92J00	CAM, TRIM SENSOR UPPER	1	
10	34843-87L00	CAM, TRIM SENSOR LOWER	1	
11	37820-99E01	SWITCH, OIL PRESSURE	1	
12	34845-92J00	BRACKET, TRIM SENSOR	1	
13	02162-05207	SCREW	2	
14	09103-06093	BOLT (6X20)	1	
15	09125-05046	SCREW (5X12)	1	
16	09407-10404	CLAMP (L:100)	1	
17	09407-11401	CLAMP (L:95)	1	
18	09407-14407	CLAMP (L:145)	2	
19	09407-18402	CLAMP (L:165)	1	
20	34846-87L00	WASHER, TRIM SENSOR	1	

FIG.47

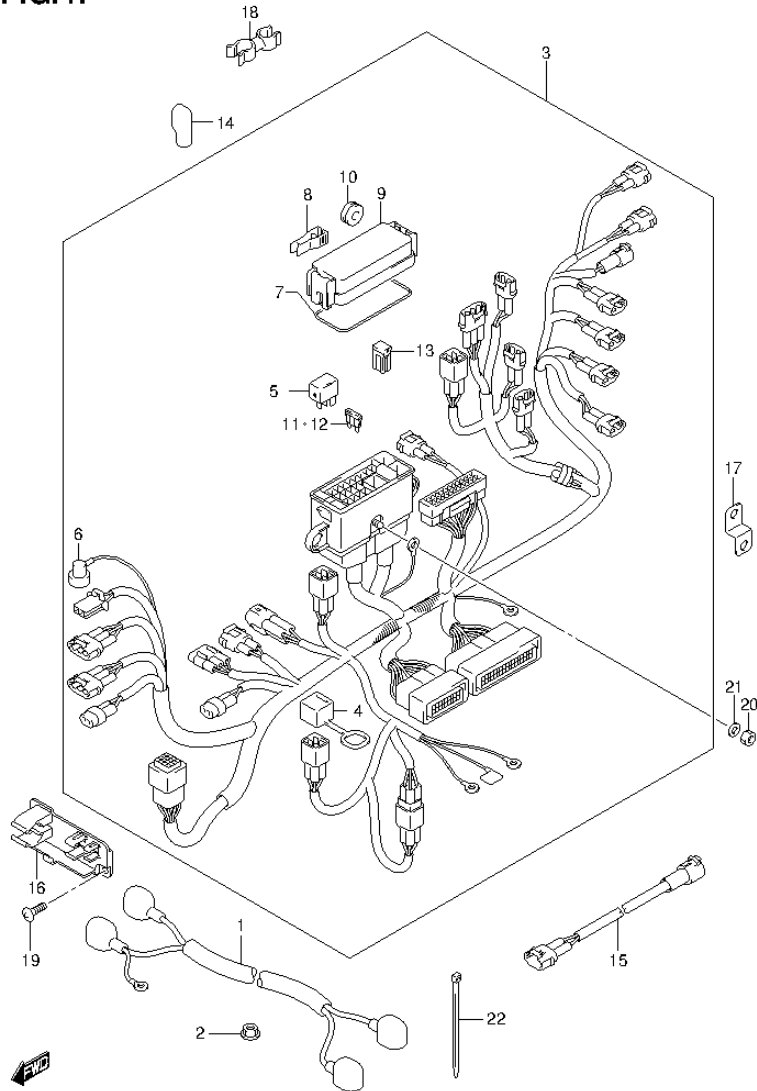


FIG.47 (1-F-4) HARNESS

REF NO.	PART NO.	DESCRIPTION	Q'TY	REMARKS
1	33810-90J10	CABLE, STARTER MOTOR	1	
2	08316-10087	NUT	1	
3	36610-92J00	HARNESS, ASSY WIRING	1	
4	33634-96J00	.CAP, SERVICE CONNECTOR	1	
5	38860-76F01	.RELAY ASSY	2	
6	36618-43410	.CAP, OIL PRESSURE SWITCH	1	
7	36721-96J00	..O RING, UPPER COVER	1	
8	36737-96J00	..PULLER, FUSE	1	
9	36738-88L00	..COVER, FUSE CASE UPPER	1	
10	09320-08021	..CUSHION	2	
11	09481-15501	.FUSE (15A)	3	
12	09481-30501	.FUSE (30A)	3	
13	09481-60401	.FUSE (60A)	3	
14	36612-96J00	CAP, TERMINAL	1	
15	36611-92J00	HARNESS ASSY, WIRING SUB	1	
16	36616-90J10	HOLDER, REMOCON CONNECTOR	1	
17	36617-93J10	BRACKET, HARNESS	1	
18	09408-00111	CLAMP	1	
19	02142-06167	SCREW	2	
20	08310-00067	NUT	1	
21	08321-01067	WASHER	1	
22	09407-10404	CLAMP (L:100)	2	

FIG.48

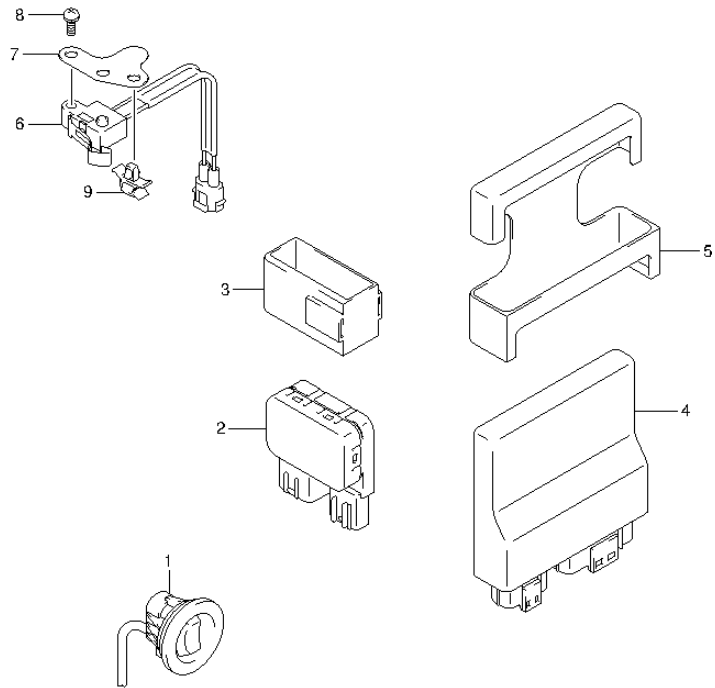


FIG.48 (1-F-5) PTT SWITCH/ENGINE CONTROL UNIT

REF NO.	PART NO.	DESCRIPTION	Q'TY	REMARKS
1	37850-99E04	SWITCH, ASSY PTT	1	
2	38410-93J20	RELAY, PTT	1	
3	38415-93J20	HOLDER, PTT RELAY	1	
4	33920-92J80	UNIT, ENGINE CONTROL	1	
5	33925-92J00	CUSHION, ENGINE CONTROL UNIT	1	
6	37721-93J00	SWITCH ASSY, NEUTRAL	1	
7	37726-90J10	BRACKET, NEUTRAL SWITCH	1	
8	09137-04004	SCREW (4X16)	2	
9	09403-06316	CLIP	1	



FIG.49

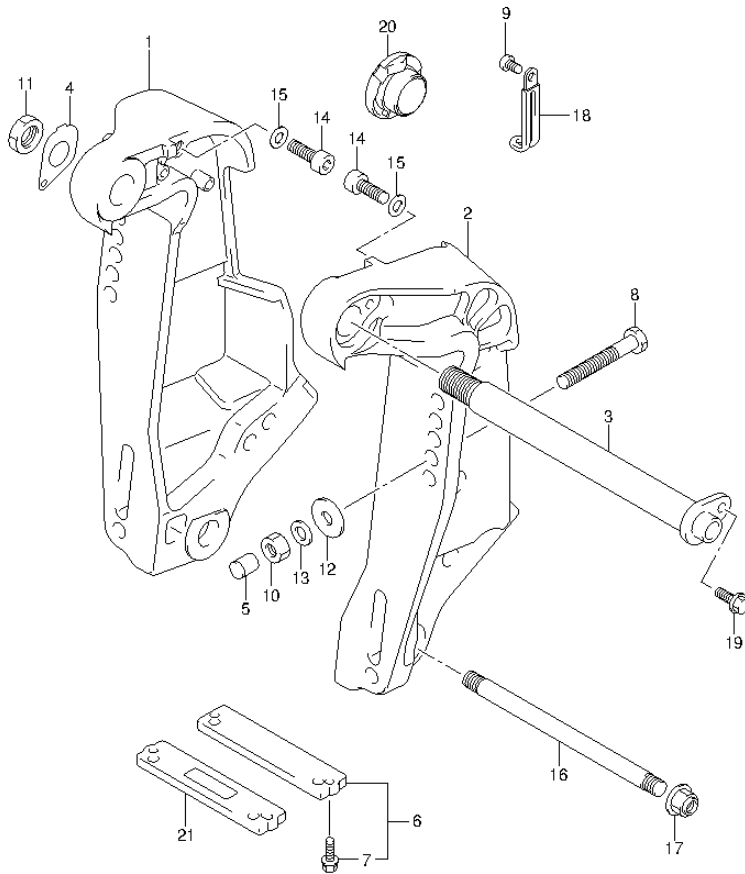


FIG.49 (1-F-6) CLAMP BRACKET (DF140AT E01)

REF NO.	PART NO.	DESCRIPTION	Q'TY	REMARKS
1	41111-92J03-0EP	BRACKET, CLAMP STBD (BLACK)	1	
2	41121-92J20-0EP	BRACKET, CLAMP PORT (BLACK)	1	
3	41130-92J30	SHAFT, CLAMP BRKT	1	
4	41135-92J00	WASHER, CLAMP BRACKET SHAFT	1	
5	41153-94500	CAP, TRANSOM BOLT	4	
6	55320-94900	ZINC, PROTECTION	1	
7	09116-06121	.BOLT (6X25)	2	
8-1	09100-12090	BOLT (12X150)	4	
8-2	09100-12091	BOLT (12X115)	1	OPT
9	09125-06063	SCREW (6X10)	1	
10	09159-12014	NUT	4	
11	09159-22006	NUT	1	
12	09160-12044	WASHER (12.5X35X3.2)	4	
13	09160-12110	WASHER (12.5X22X3)	4	
14	09106-10065	BOLT (10X20)	2	
15	09160-10082	WASHER (10.5X19X2)	2	
16	45421-87D02	PIN, TILT LOCK	1	
17	09159-14020	NUT	2	
18	29404-93J10	CLAMP	1	
19	09116-08137	BOLT (8X22)	1	
20	48140-93J01	CAM, TILT LIMIT SWITCH	1	OPT
21	55321-94910	ANODE (MAGNESIUM)	1	OPT



FIG.50

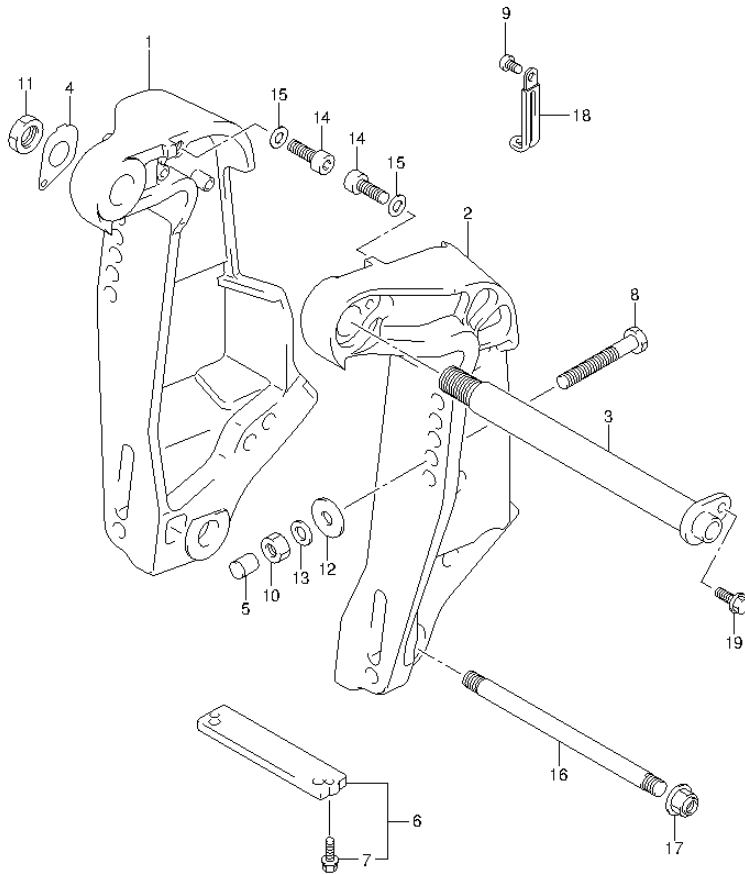


FIG.50 (1-F-7) CLAMP BRACKET (DF140AT E40)

REF NO.	PART NO.	DESCRIPTION	Q'TY	REMARKS
1	41111-92J03-0EP	BRACKET, CLAMP STBD (BLACK)	1	
2	41121-92J20-0EP	BRACKET, CLAMP PORT (BLACK)	1	
3	41130-92J30	SHAFT, CLAMP BRKT	1	
4	41135-92J00	WASHER, CLAMP BRACKET SHAFT	1	
5	41153-94500	CAP, TRANSOM BOLT	4	
6	55320-94900	ZINC, PROTECTION	1	
7	09116-06121	.BOLT (6X25)	2	
8	09100-12090	BOLT (12X150)	4	
9	09125-06063	SCREW (6X10)	1	
10	09159-12014	NUT	4	
11	09159-22006	NUT	1	
12	09160-12044	WASHER (12.5X35X3.2)	4	
13	09160-12110	WASHER (12.5X22X3)	4	
14	09106-10065	BOLT (10X20)	2	
15	09160-10082	WASHER (10.5X19X2)	2	
16	45421-87D02	PIN, TILT LOCK	1	
17	09159-14020	NUT	2	
18	29404-93J10	CLAMP	1	
19	09116-08137	BOLT (8X22)	1	



FIG.51

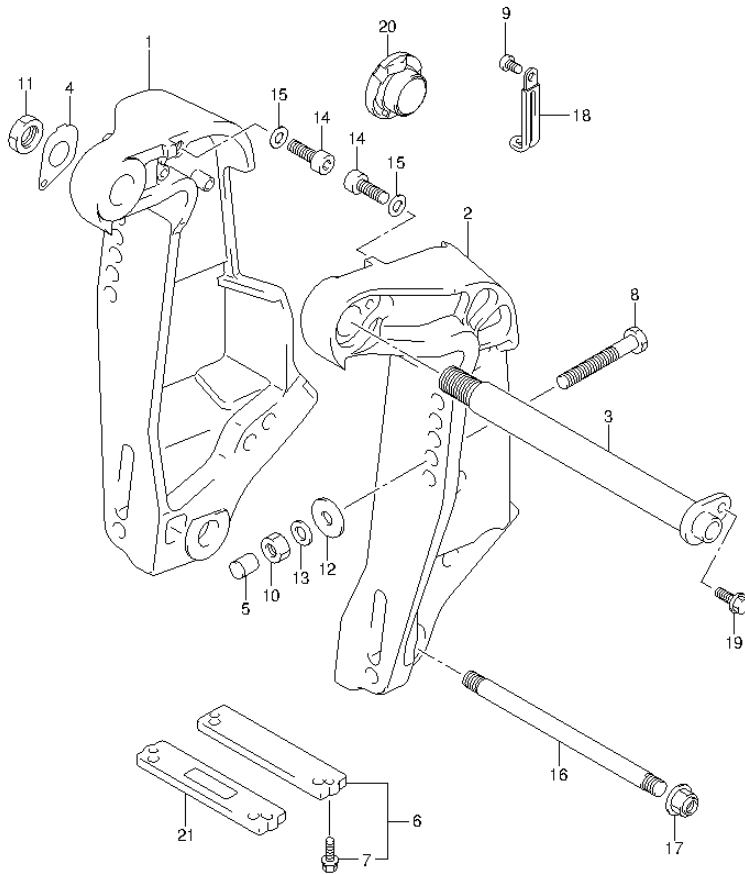


FIG.51 (1-F-8) CLAMP BRACKET (DF140AZ E01)

REF NO.	PART NO.	DESCRIPTION	Q'TY	REMARKS
1	41111-92J03-0EP	BRACKET, CLAMP STBD (BLACK)	1	
2	41121-92J20-0EP	BRACKET, CLAMP PORT (BLACK)	1	
3	41130-92J30	SHAFT, CLAMP BRKT	1	
4	41135-92J00	WASHER, CLAMP BRACKET SHAFT	1	
5	41153-94500	CAP, TRANSOM BOLT	4	
6	55320-94900	ZINC, PROTECTION	1	
7	09116-06121	.BOLT (6X25)	2	
8-1	09100-12090	BOLT (12X150)	4	
8-2	09100-12091	BOLT (12X115)	1	OPT
9	09125-06063	SCREW (6X10)	1	
10	09159-12014	NUT	4	
11	09159-22006	NUT	1	
12	09160-12044	WASHER (12.5X35X3.2)	4	
13	09160-12110	WASHER (12.5X22X3)	4	
14	09106-10065	BOLT (10X20)	2	
15	09160-10082	WASHER (10.5X19X2)	2	
16	45421-87D02	PIN, TILT LOCK	1	
17	09159-14020	NUT	2	
18	29404-93J10	CLAMP	1	
19	09116-08137	BOLT (8X22)	1	
20	48140-93J01	CAM, TILT LIMIT SWITCH	1	OPT
21	55321-94910	ANODE (MAGNESIUM)	1	OPT



FIG.52

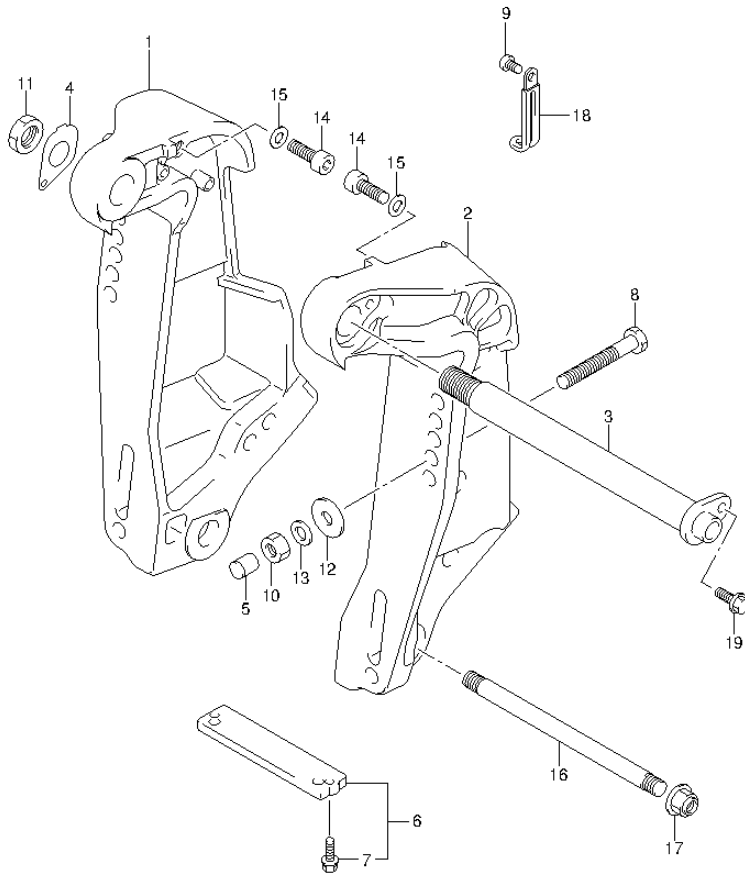


FIG.52 (1-F-9) CLAMP BRACKET (DF140AZ E40)

REF NO.	PART NO.	DESCRIPTION	Q'TY	REMARKS
1	41111-92J03-0EP	BRACKET, CLAMP STBD (BLACK)	1	
2	41121-92J20-0EP	BRACKET, CLAMP PORT (BLACK)	1	
3	41130-92J30	SHAFT, CLAMP BRKT	1	
4	41135-92J00	WASHER, CLAMP BRACKET SHAFT	1	
5	41153-94500	CAP, TRANSOM BOLT	4	
6	55320-94900	ZINC, PROTECTION	1	
7	09116-06121	.BOLT (6X25)	2	
8	09100-12090	BOLT (12X150)	4	
9	09125-06063	SCREW (6X10)	1	
10	09159-12014	NUT	4	
11	09159-22006	NUT	1	
12	09160-12044	WASHER (12.5X35X3.2)	4	
13	09160-12110	WASHER (12.5X22X3)	4	
14	09106-10065	BOLT (10X20)	2	
15	09160-10082	WASHER (10.5X19X2)	2	
16	45421-87D02	PIN, TILT LOCK	1	
17	09159-14020	NUT	2	
18	29404-93J10	CLAMP	1	
19	09116-08137	BOLT (8X22)	1	



FIG.53

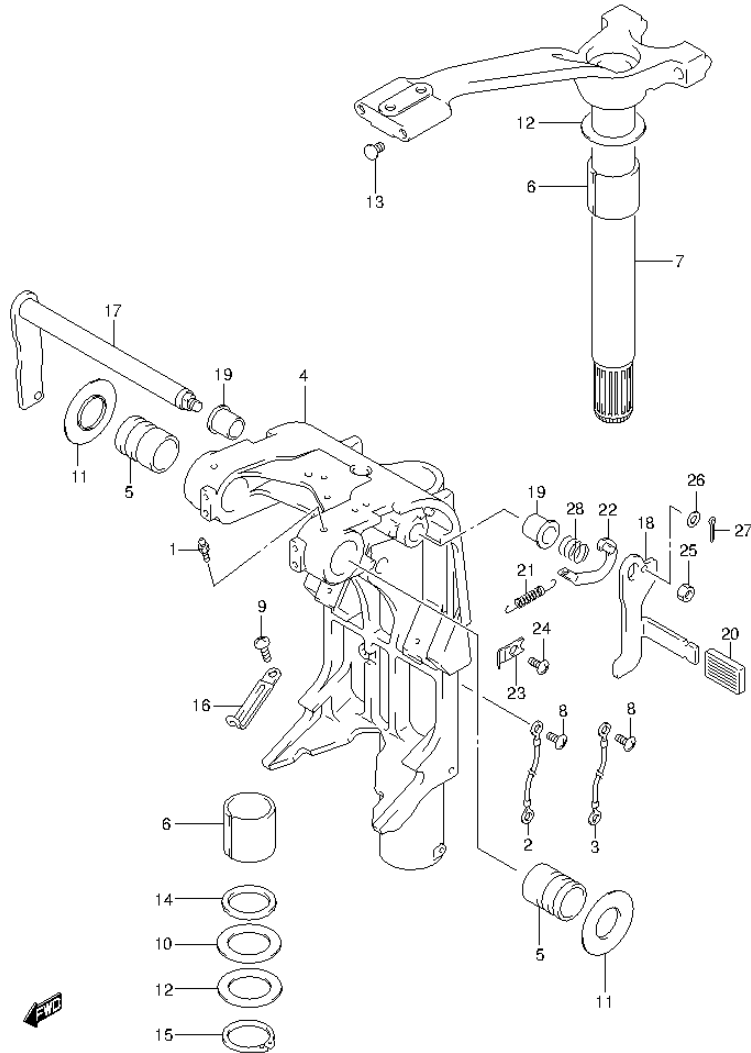


FIG.53 (1-F-10) SWIVEL BRACKET

REF NO.	PART NO.	DESCRIPTION	Q'TY	REMARKS
1	22511-99011	NIPPLE, GREASE	4	
2	36894-95201	LEAD (CLAMP TO SWIVEL)	1	
3	36894-87D00	LEAD (SWIVEL TO MOUNT BRKT)	1	
4-1	43111-92J80-0EP	BRACKET, SWIVEL (L) (BLACK)	1	W/TRANSOM(L)
4-2	43111-92J90-0EP	BRACKET, SWIVEL (UL) (BLACK)	1	W/TRANSOM(X)
5	43211-93J00	BUSH, CLAMP SHAFT SWIVEL	2	
6	43711-97E00	BUSH, STEERING	2	
7-1	43750-90J22-0EP	BRACKET, STEERING (L) (BLACK)	1	W/TRANSOM(L)
7-2	43750-90J32-0EP	BRACKET, STEERING (X) (BLACK)	1	W/TRANSOM(X)
8	09125-05050	SCREW (5X8)	3	
9	09125-06063	SCREW (6X10)	2	
10	09160-39001	WASHER (39.5X64X1)	2	
11	09169-28003	WASHER	2	
12	09181-39001	SHIM (39.5X64X0.3)	4	
13	09250-10001	CAP (OD:14)	2	
14	09282-39001	OIL SEAL (39X51X5)	1	
15	09380-38003	CIRCLIP	1	
16	29404-93J10	CLAMP	2	
17	41220-95E13	LEVER, TILT LOCK	1	
18	41221-95E40	LEVER, TILT LOCK PORT	1	
19	41224-95E01	BUSH, TILT STOPPER ROD	2	
20	41225-94400	RUBBER, TILT LOCK LEVER	1	
21	41228-90J00	SPRING, TILT LOCK LEVER	1	
22	41230-95E00	LINK, TILT LOCK LEVER	1	
23	41233-95E10	BRACKET, TILT LOCK SPRING	1	
24	09125-06063	SCREW (6X10)	1	
25	09140-10032	NUT	1	
26	09160-06082	WASHER (6.5X13X1.0)	1	
27	09204-01006	PIN	1	
28	09440-19028	SPRING	1	

FIG.54

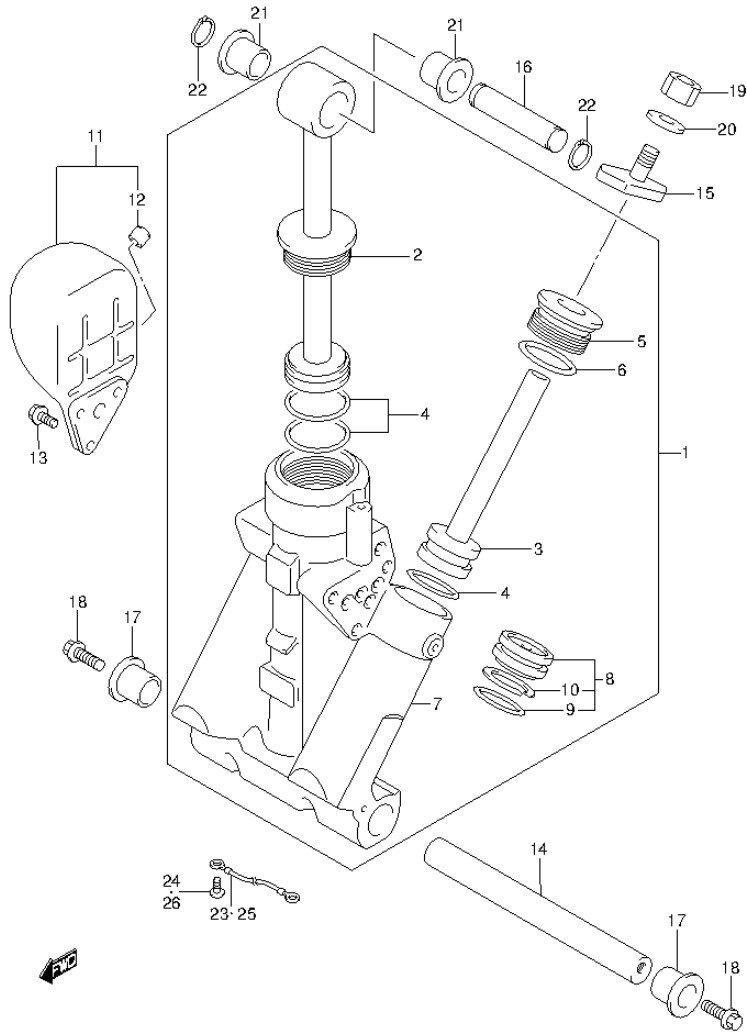


FIG.54 (1-F-11) TRIM CYLINDER

REF NO.	PART NO.	DESCRIPTION	Q'TY	REMARKS
1	48503-96J03	MANIFOLD SUB ASSY	1	
2	48401-96J01	.PISTON ASSY	1	
3	48601-94900	.PISTON / RAM ASSY	2	
4	48627-95E00	.O RING SET	3	
5	48630-96J02	.HEAD, TRIM CYLINDER	2	
6	48633-94900	.O RING SET (2PCS)	2	
7	48641-96J02	.MANIFOLD, PTT	1	
8	48650-94900	.PISTON, FREE	1	
9	48405-87D00	..O RING	1	
10	48615-97E00	..RING SET, PISTON	1	
11	48570-95E01	RESERVOIR	1	
12	48572-95E00	.CAP	1	
13	48861-92J01	BOLT, RESERVOIR	3	
14	48121-92J00	SHAFT, TILT CYLINDER LOWER	1	
15	48311-96J10	PAD, TRIM CYLINDER RAM	2	
16	48321-87D03	SHAFT, TILT CYLINDER UPPER	1	
17	48326-95E00	BUSH, TILT CYLINDER LOWER	2	
18	09116-10174	BOLT (10X35)	2	
19	09140-10031	NUT	2	
20	09162-10005	LOCK WASHER	2	
21	09306-17001	BUSH	2	
22	09380-17009	CIRCLIP	2	
23	36894-87D00	LEAD, PTT TO ANODE (L165)	1	
24	09125-06063	SCREW (6X10)	1	
25	36895-87D10	LEAD, PTT TO ANODE (L310)	1	
26	09125-05050	SCREW (5X8)	1	

FIG.55

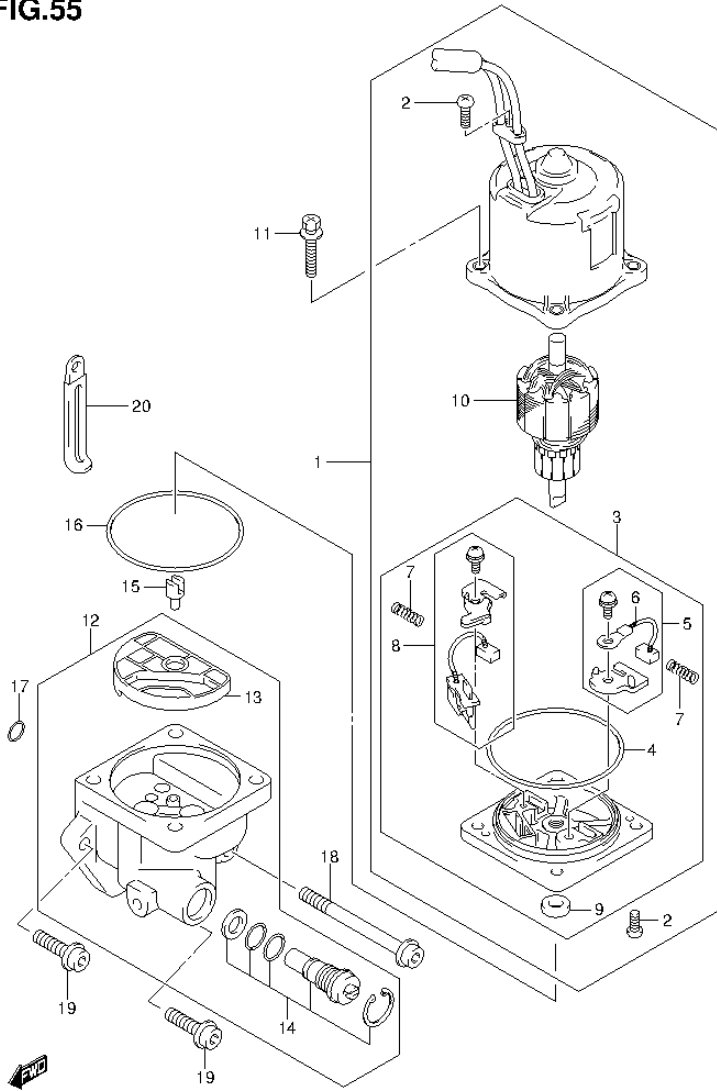


FIG.55 (1-F-12) PTT MOTOR

REF NO.	PART NO.	DESCRIPTION	Q'TY	REMARKS
1	38100-96J01	MOTOR ASSY, PTT	1	
2	31111-94900	.SCREW, YOKE	3	
3	31173-94910	.HOLDER, BRUSH	1	
4	31123-94910	..O RING	1	
5	31133-90J00	..BRUSH SET, PLUS	1	
6	31133-94900	...BRUSH, PLUS	1	
7	31135-94900	..SPRING	2	
8	31136-90J10	..BREAKER	1	
9	33799-97E00	..OIL SEAL	1	
10	31311-94900	..ARMATURE	1	
11	31281-92J10	BOLT	4	
12	48502-96J05	PUMP ASSY	1	
13	48582-95E01	..FILTER	1	
14	48864-96J10	..VALVE, MANUAL	1	
15	48583-95E00	JOINT, DRIVE	1	
16	48585-95E00	O RING	1	
17	48588-94900	O RING SET (6PCS)	1	
18	48862-92J20	BOLT	1	
19	48862-92J30	BOLT	2	
20	29404-93J10	CLAMP	1	

FIG.56

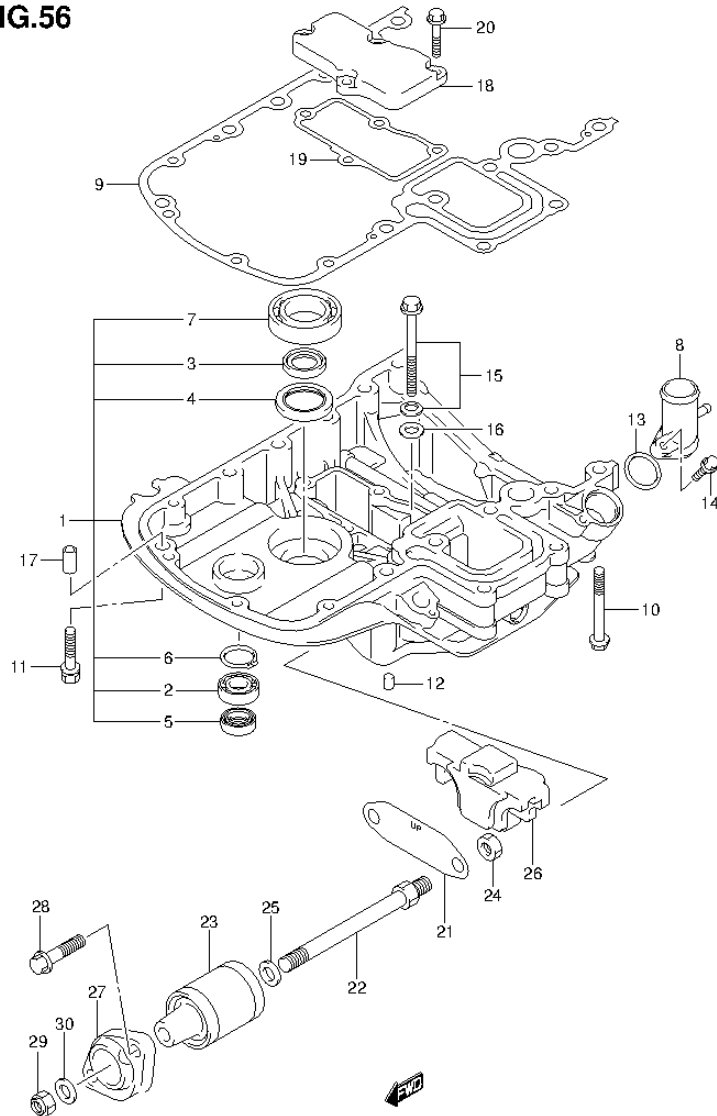


FIG.56 (1-F-13) ENGINE HOLDER

REF NO.	PART NO.	DESCRIPTION	Q'TY	REMARKS
1	51110-90850-OEP	HOLDER SET, ENGINE (BLACK)	1	
2	09262-17019	.BEARING (17X35X8)	1	
3	09282-24003	.OIL SEAL (24X36X6)	2	
4	09283-32044	.OIL SEAL (32X47X6)	1	
5	09289-18001	.OIL SEAL (18X30X8)	1	
6	08331-41359	.CIRCLIP	1	
7	09262-35069	.BEARING (35X62X16)	1	
8	51115-90J00	UNION, WATER RETURN	1	
9	51211-90J22	GASKET, ENGINE HOLDER	1	
10	09116-08160	BOLT (8X70)	4	
11	09116-08128	BOLT (8X40)	4	
12	09206-08001	PIN (8X11)	2	
13	09280-26006	O RING (D:3.1, ID:26.4)	1	
14	01550-06257	BOLT	1	
15	29117-93J10	BOLT, ENGINE HOLDER	1	
16	09160-08059	WASHER (8.5X18X1.6)	1	
17	04211-11129	PIN	3	
18	51122-90J00	COVER, MOUNT CASE	1	
19	51123-90J01	GASKET, MOUNT CASE COVER	1	
20	01550-0825A	BOLT	4	
21	54123-90J00	PLATE, UPPER MOUNT	1	
22	54112-90J21	BOLT, UPPER MOUNT	2	
23	54130-90J40	MOUNT, UPPER	2	
24	09159-12014	NUT	2	
25	54114-90J01	WASHER (12.5X22X3)	2	
26	54125-90J10	MOUNT, UPPER THRUST	1	
27	54148-90J11-OEP	COVER, UPPER MOUNT (BLACK)	2	
28	09116-10176	BOLT (10X44)	4	
29	09159-12014	NUT	2	
30	09160-12110	WASHER (12.5X22X3)	2	

FIG.57

FIG.57 (1-F-14) DRIVE SHAFT HOUSING

REF NO.	PART NO.	DESCRIPTION	Q'TY	REMARKS
1-1	52111-90J02-0EP	HOUSING, DRIVE SHAFT (BLACK)	1	W/TRANSOM(L)
1-2	52111-90J12-0EP	HOUSING, DRIVE SHAFT (BLACK)	1	W/TRANSOM(X)
2	09116-10176	BOLT (10X44)	8	
3	09202-08006	PIN (8X12)	2	
4	09387-45001	RING	1	W/TRANSOM(X)
5	57130-92J01	BUSH, DRIVE SHAFT	1	W/TRANSOM(X)
6	09125-06063	SCREW (6X10)	2	
7	36895-87D10	LEAD (SWIVEL TO HSG)	1	
8	54121-87D00	DAMPER, REVERSE STOPPER LOWER	2	
9	54160-90J20	MOUNT, LOWER	2	
10	54166-90J11	BOLT (12X231)	2	
11	09159-12014	NUT	2	
12	09160-12112	WASHER (12X40X3)	2	
13	54114-90J01	WASHER (12.5X22X3.0)	2	
14	54151-90J00	MOUNT, LOWER THRUST	1	
15	54211-90J01-0EP	BRACKET, LOWER MOUNT (BLACK)	1	
16	54221-90J02-0EP	COVER, LOWER MOUNT (BLACK)	2	
17	09116-10176	BOLT (10X44)	6	
18	09160-12113	WASHER (12.5X30X2.5)	2	

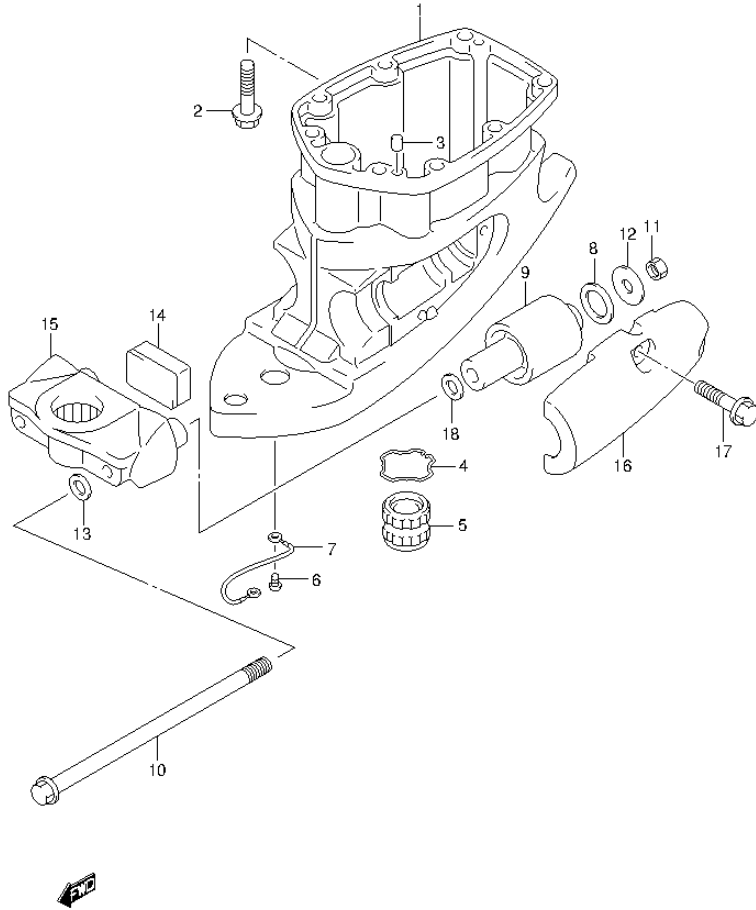


FIG.58

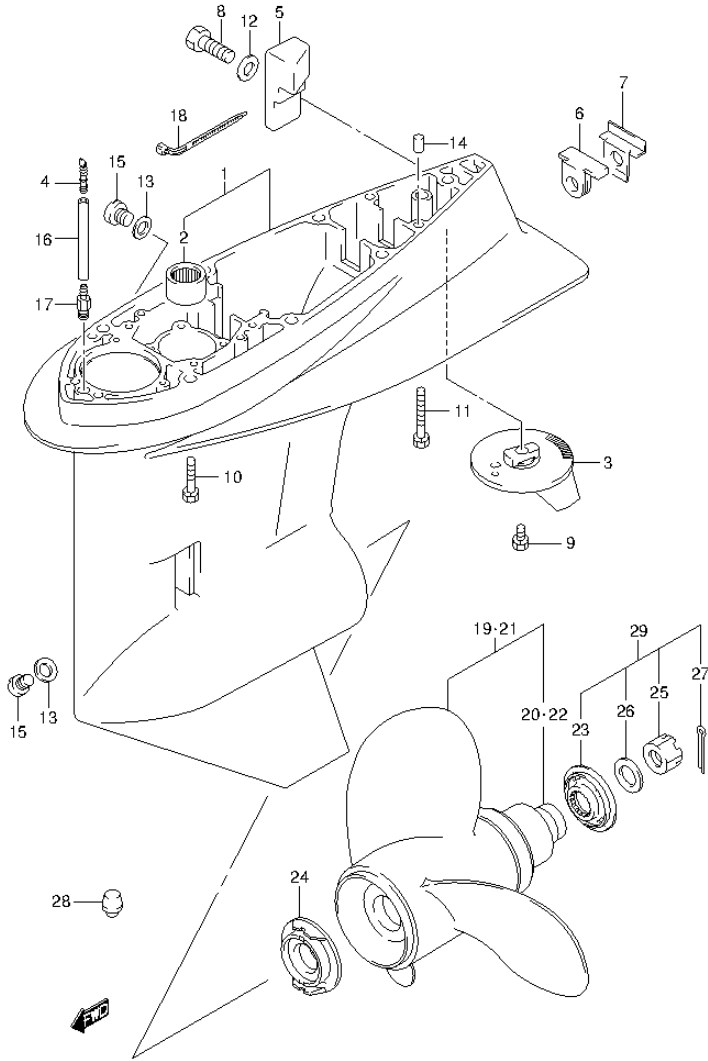


FIG.58 (1-F-15) GEAR CASE (DF140AT E01)

REF NO.	PART NO.	DESCRIPTION	Q'TY	REMARKS
1	55110-90J15-0EP	CASE, GEAR (BLACK)	1	
2	09263-28016	.BEARING (28.6X38X31.8)	1	
3	55125-90J01	TAB, TRIM	1	
4	55127-87D00	UNION, SPEEDOMETER HOSE	1	
5	55321-90J01	ANODE, GEAR CASE	1	
6	55332-87D11	RUBBER, EXHAUST SEAL	1	
7	55333-87D10	PLATE, EXHAUST SEAL	1	
8	09100-06131	BOLT (6X12)	1	
9	09116-08137	BOLT (8X22)	1	
10	09116-10150	BOLT (10X55)	6	
11	09117-10039	BOLT (10X80)	1	
12	09160-06085	WASHER (6.5X15X1)	1	
13	09168-10022	GASKET (10X17X1.5)	2	
14	09202-08006	PIN (8X12)	2	
15	09248-10008	PLUG (10X7.5)	2	
16	09355-40805-00B	HOSE (4X8X2000)	1	L:2000->1100
17	09362-09008	UNION	1	
18	09407-10404	CLAMP (L:100)	2	
19-1	58100-90JA0-019	PROPELLER (3X14X17) (BLACK)	1	
19-2	58100-90JB0-019	PROPELLER (3X14X19) (BLACK)	1	
19-3	58100-90JC0-019	PROPELLER (3X14X21) (BLACK)	1	
19-4	58100-90JD0-019	PROPELLER (3X14X23) (BLACK)	1	
19-5	58100-90JE0-019	PROPELLER (3X13.5X15) (BALCK)	1	
19-6	58200-92J40	PROPELLER (3X13.875X15)	1	OPT
19-7	58200-92J50	PROPELLER (3X13.875X17)	1	OPT
19-8	58200-92J60	PROPELLER (3X13.875X19)	1	OPT
19-9	58200-92J70	PROPELLER (3X13.875X21)	1	OPT
19-10	58200-92J80	PROPELLER (3X13.875X23)	1	OPT
19-11	58200-92J90	PROPELLER (3X13.875X25)	1	OPT
20	58105-90J00	.BUSH	1	

FIG.58

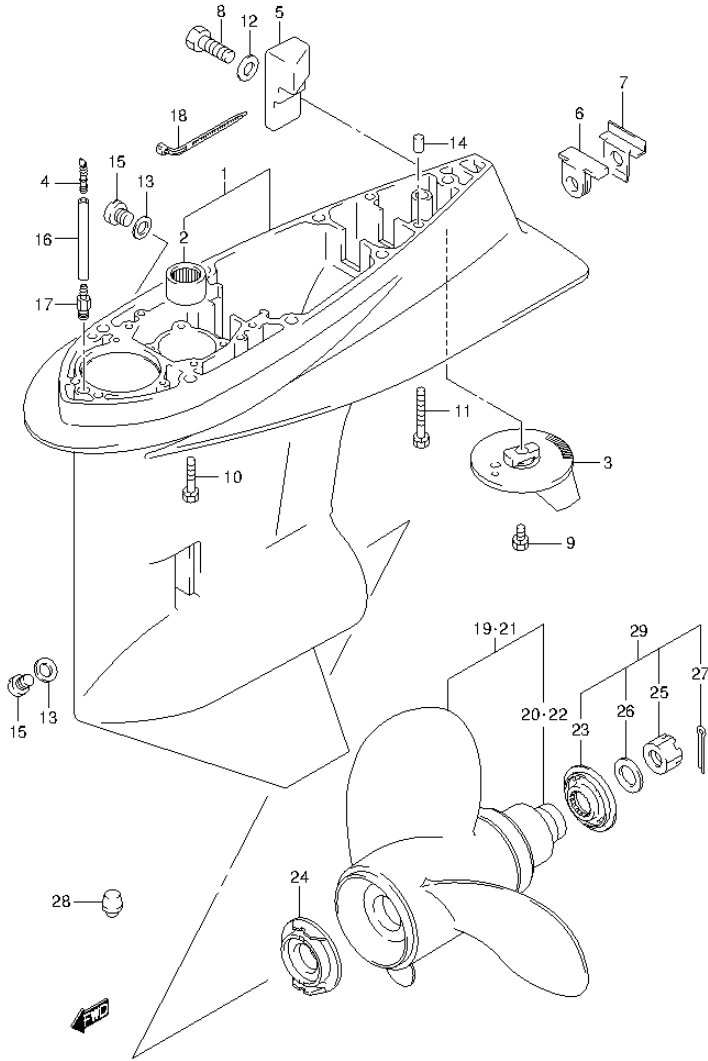


FIG.58 (1-G-2) GEAR CASE (DF140AT E01)

REF NO.	PART NO.	DESCRIPTION	Q'TY	REMARKS
21-1	58200-90J00	PROPELLER (3X14.25X18)	1	OPT
21-2	58200-90J10	PROPELLER (3X14.25X20)	1	OPT
21-3	58200-90J20	PROPELLER (3X14.25X22)	1	OPT
21-4	58200-90J30	PROPELLER (3X14.25X24)	1	OPT
22	58120-90J00	.BUSH	1	OPT
23	57633-90J02	SPACER, PROPELLER NUT	1	
24	57635-92J01	STOPPER, PROPELLER BUSH	1	
25	09141-18005	NUT	1	
26	09160-18028	WASHER (18.5X31X1)	1	
27	09204-03003	COTTER PIN	1	
28	55116-87E00	PLUG	1	OPT
29	57630-90J00	KIT, PROPELLER NUT	1	OPT
30	25700-92J00	SEALING KIT, GEAR CASE	1	OPT NOT ILLUSTRATED

FIG.59

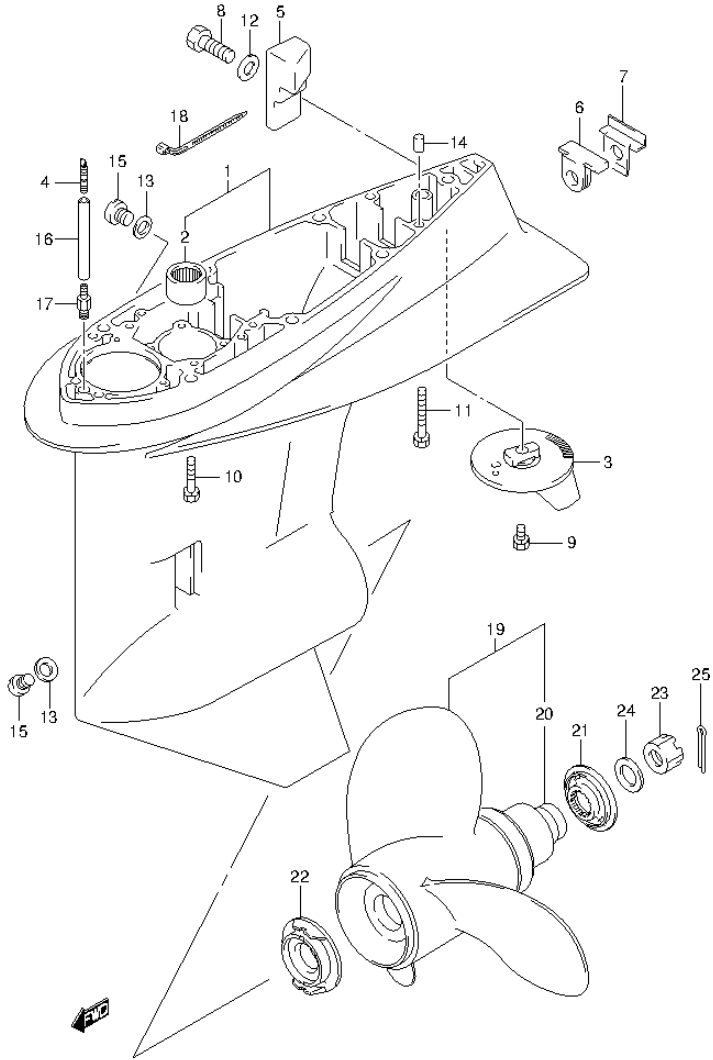


FIG.59 (1-G-3) GEAR CASE (DF140AT E40)

REF NO.	PART NO.	DESCRIPTION	Q'TY	REMARKS
1	55110-90J15-0EP	CASE, GEAR (BLACK)	1	
2	09263-28016	.BEARING (28.6X38X31.8)	1	
3	55125-90J01	TAB, TRIM	1	
4	55127-87D00	UNION, SPEEDOMETER HOSE	1	
5	55321-90J01	ANODE, GEAR CASE	1	
6	55332-87D11	RUBBER, EXHAUST SEAL	1	
7	55333-87D10	PLATE, EXHAUST SEAL	1	
8	09100-06131	BOLT (6X12)	1	
9	09116-08137	BOLT (8X22)	1	
10	09116-10150	BOLT (10X55)	6	
11	09117-10039	BOLT (10X80)	1	
12	09160-06085	WASHER (6.5X15X1)	1	
13	09168-10022	GASKET (10X17X1.5)	2	
14	09202-08006	PIN (8X12)	2	
15	09248-10008	PLUG (10X7.5)	2	
16	09355-40805-00B	HOSE (4X8X2000)	1	L:2000->1100
17	09362-09008	UNION	1	
18	09407-10404	CLAMP (L:100)	2	
19-1	58100-90JA0-019	PROPELLER (3X14X17) (BLACK)	1	
19-2	58100-90JB0-019	PROPELLER (3X14X19) (BLACK)	1	
19-3	58100-90JC0-019	PROPELLER (3X14X21) (BLACK)	1	
19-4	58100-90JD0-019	PROPELLER (3X14X23) (BLACK)	1	
19-5	58100-90JE0-019	PROPELLER (3X13.5X15) (BLACK)	1	
20	58105-90J00	.BUSH	1	
21	57633-90J02	SPACER, PROPELLER NUT	1	
22	57635-92J01	STOPPER, PROPELLER BUSH	1	
23	09141-18005	NUT	1	
24	09160-18028	WASHER (18.5X31X1)	1	
25	09204-03003	COTTER PIN	1	
26	25700-92J00	SEALING KIT, GEAR CASE	1	OPT NOT ILLUSTRATED

FIG.60

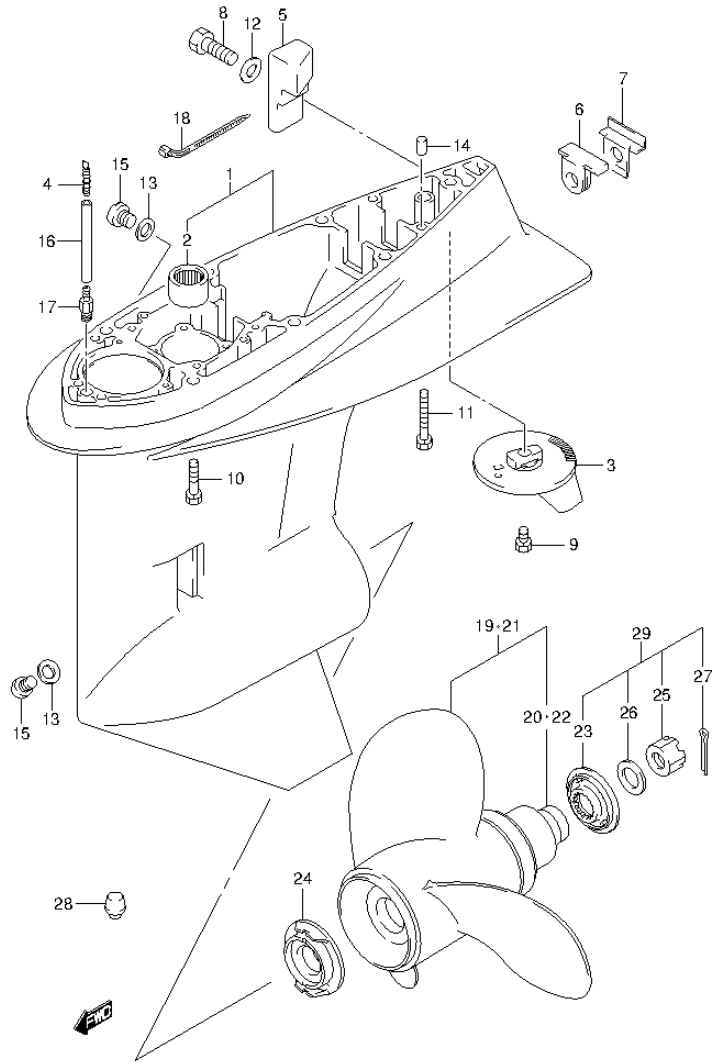


FIG.60 (1-G-4) GEAR CASE (DF140AZ E01)

REF NO.	PART NO.	DESCRIPTION	Q'TY	REMARKS
1	55110-92J00-0EP	CASE, GEAR (BLACK)	1	
2	09263-28016	.BEARING (28.6X38X31.8)	1	
3	55125-92J00	TAB, TRIM	1	
4	55127-87D00	UNION, SPEEDOMETER HOSE	1	
5	55321-90J01	ANODE, GEAR CASE	1	
6	55332-87D11	RUBBER, EXHAUST SEAL	1	
7	55333-87D10	PLATE, EXHAUST SEAL	1	
8	09100-06131	BOLT (6X12)	1	
9	09116-08137	BOLT (8X22)	1	
10	09116-10150	BOLT (10X55)	6	
11	09117-10039	BOLT (10X80)	1	
12	09160-06085	WASHER (6.5X15X1)	1	
13	09168-10022	GASKET (10X17X1.5)	2	
14	09202-08006	PIN (8X12)	2	
15	09248-10008	PLUG (10X7.5)	2	
16	09355-40805-00B	HOSE (4X8X2000)	1	L:2000->1100
17	09362-09008	UNION	1	
18	09407-10404	CLAMP (L:100)	2	
19-1	58200-92J00	PROPELLER (3X14.25X18, C/R)	1	OPT
19-2	58200-92J10	PROPELLER (3X14.25X20, C/R)	1	OPT
19-3	58200-92J20	PROPELLER (3X14.25X22, C/R)	1	OPT
19-4	58200-92J30	PROPELLER (3X14.25X24, C/R)	1	OPT
20	58120-90J00	.BUSH	1	OPT
21-1	58200-92JA0	PROPELLER (3X13.875X17, C/R)	1	OPT
21-2	58200-92JB0	PROPELLER (3X13.875X19, C/R)	1	OPT
21-3	58200-92JC0	PROPELLER (3X13.875X21, C/R)	1	OPT
21-4	58200-92JD0	PROPELLER (3X13.875X23, C/R)	1	OPT
22	58105-90J00	.BUSH	1	OPT

FIG.60

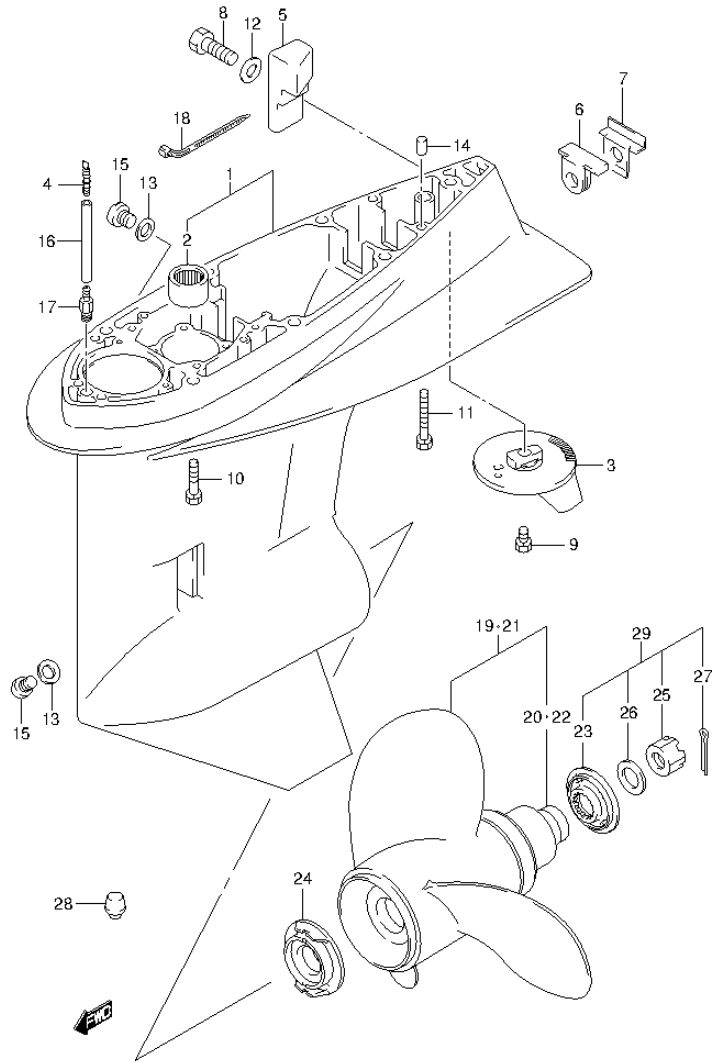


FIG.60 (1-G-5) GEAR CASE (DF140AZ E01)

REF NO.	PART NO.	DESCRIPTION	Q'TY	REMARKS
23	57633-90J02	SPACER, PROPELLER	1	
24	57635-92J01	STOPPER, PROPELLER BUSH	1	
25	09141-18005	NUT	1	
26	09160-18028	WASHER (18.5X31X1)	1	
27	09204-03003	COTTER PIN	1	
28	55116-87E00	PLUG	1	OPT
29	57630-90J00	KIT, PROPELLER NUT	1	OPT
30	25700-92J00	SEALING KIT, GEAR CASE	1	OPT NOT ILLUSTRATED

FIG.61

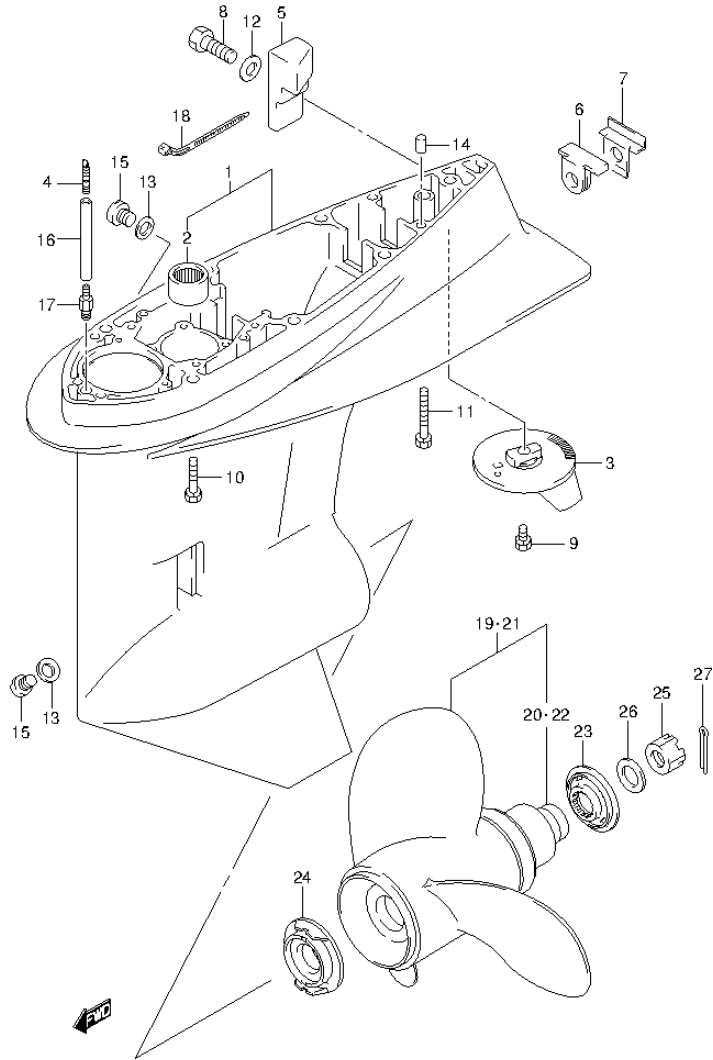


FIG.61 (1-G-6) GEAR CASE (DF140AZ E40)

REF NO.	PART NO.	DESCRIPTION	Q'TY	REMARKS
1	55110-92J00-0EP	CASE, GEAR (BLACK)	1	
2	09263-28016	.BEARING (28.6X38X31.8)	1	
3	55125-92J00	TAB, TRIM	1	
4	55127-87D00	UNION, SPEEDOMETER HOSE	1	
5	55321-90J01	ANODE, GEAR CASE	1	
6	55332-87D11	RUBBER, EXHAUST SEAL	1	
7	55333-87D10	PLATE, EXHAUST SEAL	1	
8	09100-06131	BOLT (6X12)	1	
9	09116-08137	BOLT (8X22)	1	
10	09116-10150	BOLT (10X55)	6	
11	09117-10039	BOLT (10X80)	1	
12	09160-06085	WASHER (6.5X15X1)	1	
13	09168-10022	GASKET (10X17X1.5)	2	
14	09202-08006	PIN (8X12)	2	
15	09248-10008	PLUG (10X7.5)	2	
16	09355-40805-00B	HOSE (4X8X2000)	1	L:2000->1100
17	09362-09008	UNION	1	
18	09407-10404	CLAMP (L:100)	2	
19-1	58200-92J00	PROPELLER (3X14.25X18, C/R)	1	OPT
19-2	58200-92J10	PROPELLER (3X14.25X20, C/R)	1	OPT
19-3	58200-92J20	PROPELLER (3X14.25X22, C/R)	1	OPT
19-4	58200-92J30	PROPELLER (3X14.25X24, C/R)	1	OPT
20	58120-90J00	.BUSH	1	OPT
21-1	58200-92JA0	PROPELLER (3X13.875X17, C/R)	1	OPT
21-2	58200-92JB0	PROPELLER (3X13.875X19, C/R)	1	OPT
21-3	58200-92JC0	PROPELLER (3X13.875X21, C/R)	1	OPT
21-4	58200-92JD0	PROPELLER (3X13.875X23, C/R)	1	OPT
22	58105-90J00	.BUSH	1	OPT

FIG.61

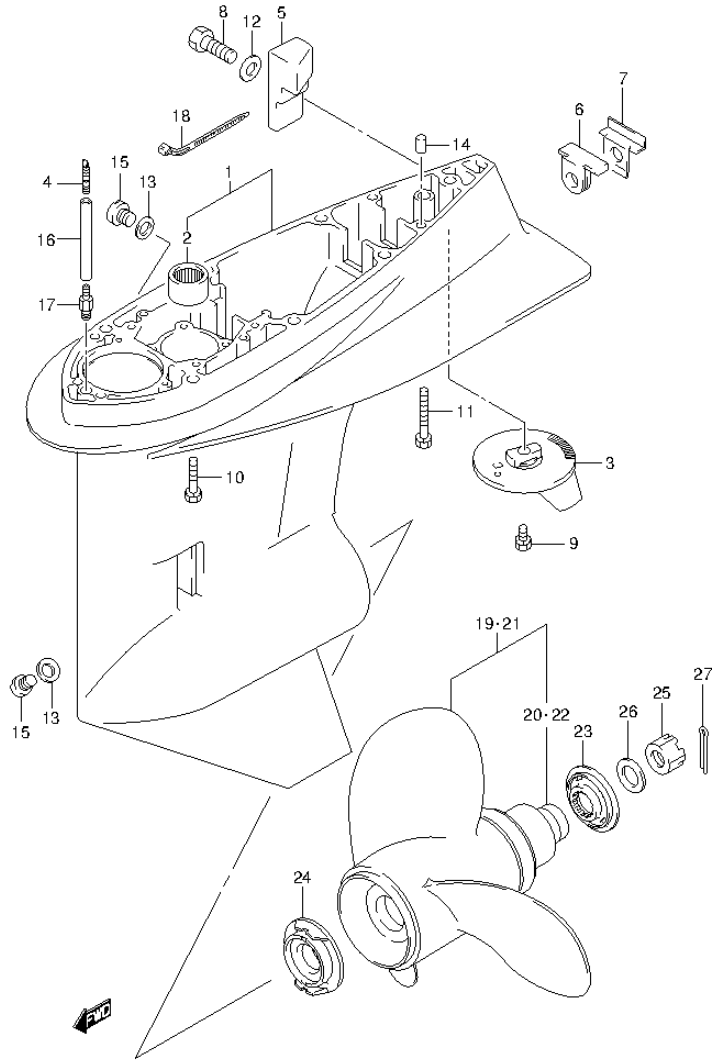
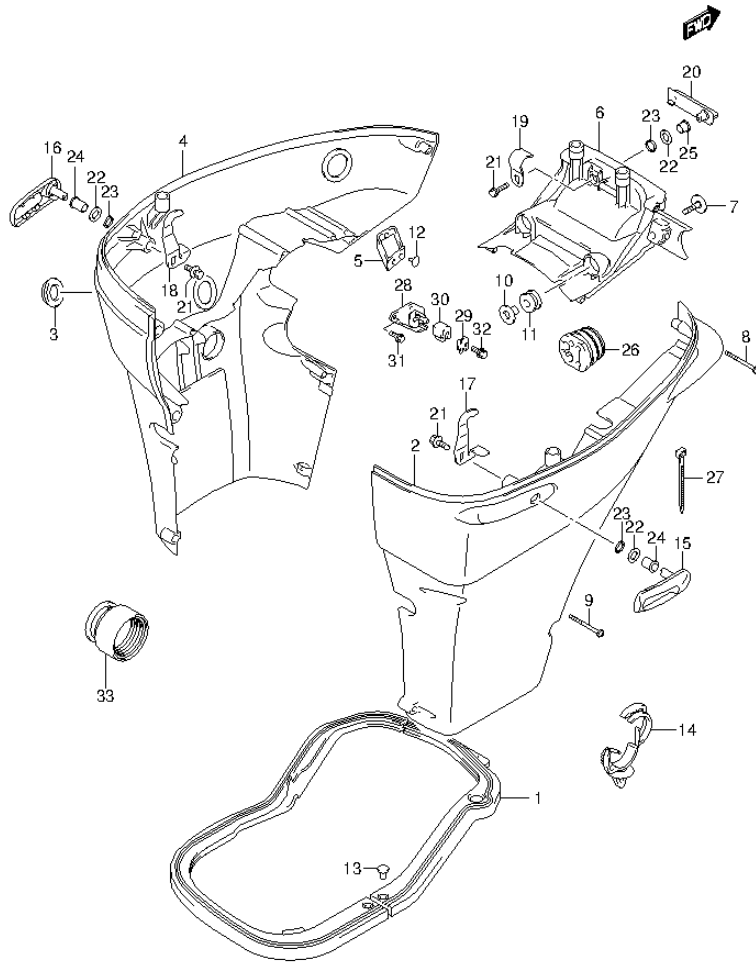


FIG.61 (1-G-7) GEAR CASE (DF140AZ E40)

REF NO.	PART NO.	DESCRIPTION	Q'TY	REMARKS
23	57633-90J02	SPACER, PROPELLER	1	
24	57635-92J01	STOPPER, PROPELLER BUSH	1	
25	09141-18005	NUT	1	
26	09160-18028	WASHER (18.5X31X1)	1	
27	09204-03003	COTTER PIN	1	
28	25700-92J00	SEALING KIT, GEAR CASE	1	OPT NOT ILLUSTRATED

FIG.62

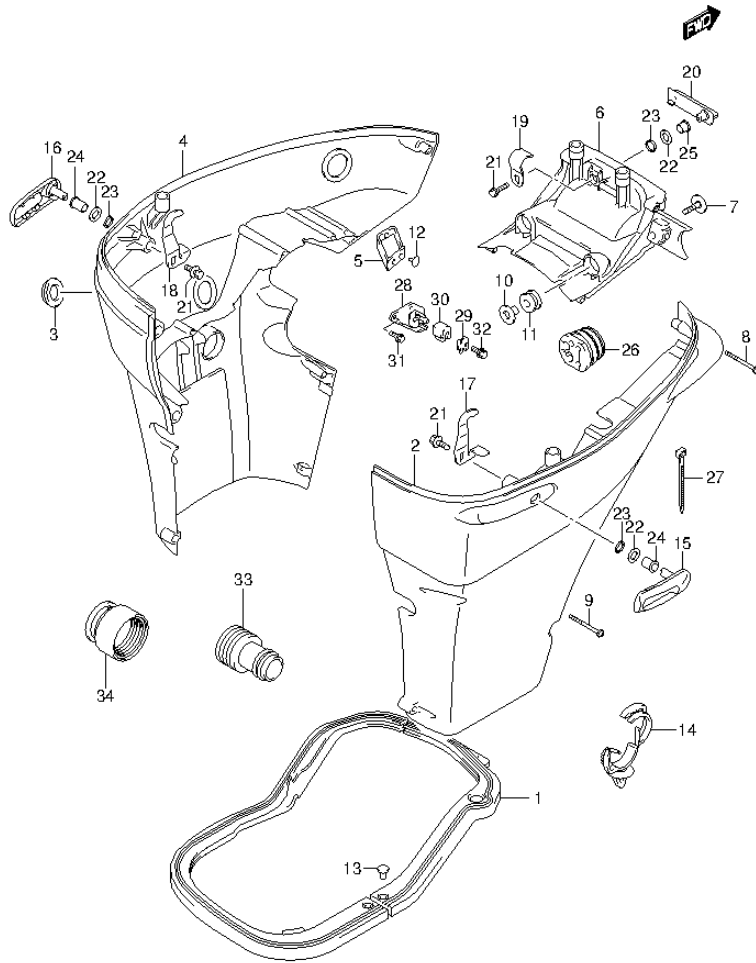
FIG.62 (1-G-8) SIDE COVER (DF140AT E01)



REF NO.	PART NO.	DESCRIPTION	Q'TY	REMARKS
1	61134-90J20	SEAL, SIDE COVER	1	
2	61810-90J10-0EP	COVER, SIDE STBD (BLACK)	1	
3	61817-89J00	PLUG, SIDE COVER	1	
4	61820-90J10-0EP	COVER, SIDE PORT (BLACK)	1	
5	61827-90J00	HOLDER, SIDE COVER	1	
6	61831-90J12-0EP	PANEL, FRONT (BLACK)	1	
7	09118-08127	BOLT (8X40)	2	
8	09136-06148	SCREW (6X35)	7	
9	09136-06149	SCREW (6X55)	2	
10	09169-08039	WASHER	2	
11	09320-11013	CUSHION	2	
12	09321-08022	CUSHION	2	
13	09409-05302-5PK	CLIP (BLACK)	2	
14	09403-20308	CLIP	1	
15	61633-90J02-0EP	LEVER, HOOK REAR (BLACK)	1	
16	61633-90J02-0EP	LEVER, HOOK REAR (BLACK)	1	
17	61637-90J10	HOOK, ENGINE COVER RR STBD	1	
18	61638-90J10	HOOK, ENGINE COVER RR PORT	1	
19	61641-87D00	HOOK, ENGINE COVER FR	1	
20	61645-90J01-0EP	LEVER, HOOK FR (BLACK)	1	
21	09116-06127	BOLT (6X12)	3	
22	09160-13014	WASHER (13.2X25X1)	3	
23	09164-14008	WASHER	3	
24	09306-13008	BUSH	2	
25	09307-13006	BUSH	1	
26	61124-90J30	GROMMET, REMOCON CABLE	1	
27	09407-25402	CLAMP (L:248)	1	
28	67341-90J32	HOLDER, REMOCON CABLE	1	
29	67343-90J20	STOPPER, REMOCON CABLE	1	
30	67344-90J00	CUSHION, REMOCON CABLE HLDR	1	
31	01550-06167	BOLT	2	
32	01580-08257	BOLT	1	
33	67300-90J00	KIT, HOSE ADAPTER	1	OPT

FIG.63

FIG.63 (1-G-9) SIDE COVER (DF140AT E40)



REF NO.	PART NO.	DESCRIPTION	Q'TY	REMARKS
1	61134-90J20	SEAL, SIDE COVER	1	
2	61810-90J10-0EP	COVER, SIDE STBD (BLACK)	1	
3	61817-89J00	PLUG, SIDE COVER	1	
4	61820-90J10-0EP	COVER, SIDE PORT (BLACK)	1	
5	61827-90J00	HOLDER, SIDE COVER	1	
6	61831-90J12-0EP	PANEL, FRONT (BLACK)	1	
7	09118-08127	BOLT (8X40)	2	
8	09136-06148	SCREW (6X35)	7	
9	09136-06149	SCREW (6X55)	2	
10	09169-08039	WASHER	2	
11	09320-11013	CUSHION	2	
12	09321-08022	CUSHION	2	
13	09409-05302-5PK	CLIP (BLACK)	2	
14	09403-20308	CLIP	1	
15	61633-90J02-0EP	LEVER, HOOK REAR (BLACK)	1	
16	61633-90J02-0EP	LEVER, HOOK REAR (BLACK)	1	
17	61637-90J10	HOOK, ENGINE COVER RR STBD	1	
18	61638-90J10	HOOK, ENGINE COVER RR PORT	1	
19	61641-87D00	HOOK, ENGINE COVER FR	1	
20	61645-90J01-0EP	LEVER, HOOK FR (BLACK)	1	
21	09116-06127	BOLT (6X12)	3	
22	09160-13014	WASHER (13.2X25X1)	3	
23	09164-14008	WASHER	3	
24	09306-13008	BUSH	2	
25	09307-13006	BUSH	1	
26	61124-90J30	GROMMET, REMOCON CABLE	1	
27	09407-25402	CLAMP (L:248)	1	
28	67341-90J32	HOLDER, REMOCON CABLE	1	
29	67343-90J20	STOPPER, REMOCON CABLE	1	
30	67344-90J00	CUSHION, REMOCON CABLE HLDR	1	
31	01550-06167	BOLT	2	
32	01580-08257	BOLT	1	
33	17917-87L00	CONNECTOR, FLUSH WATER	1	
34	67300-90J00	KIT, HOSE ADAPTER	1	OPT

FIG.64

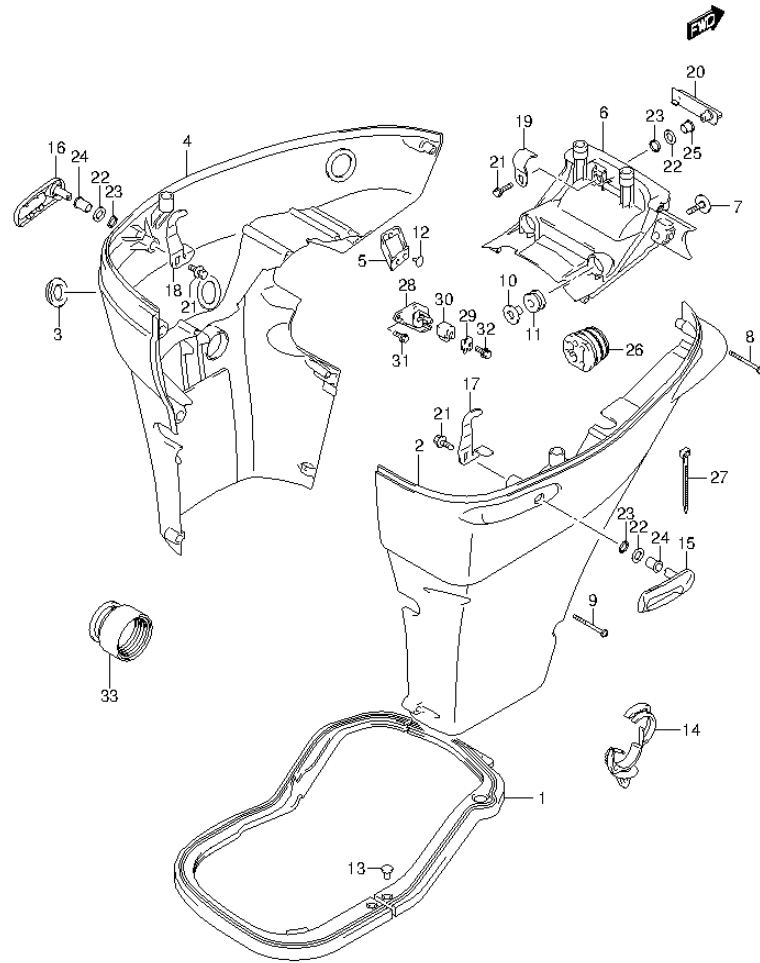
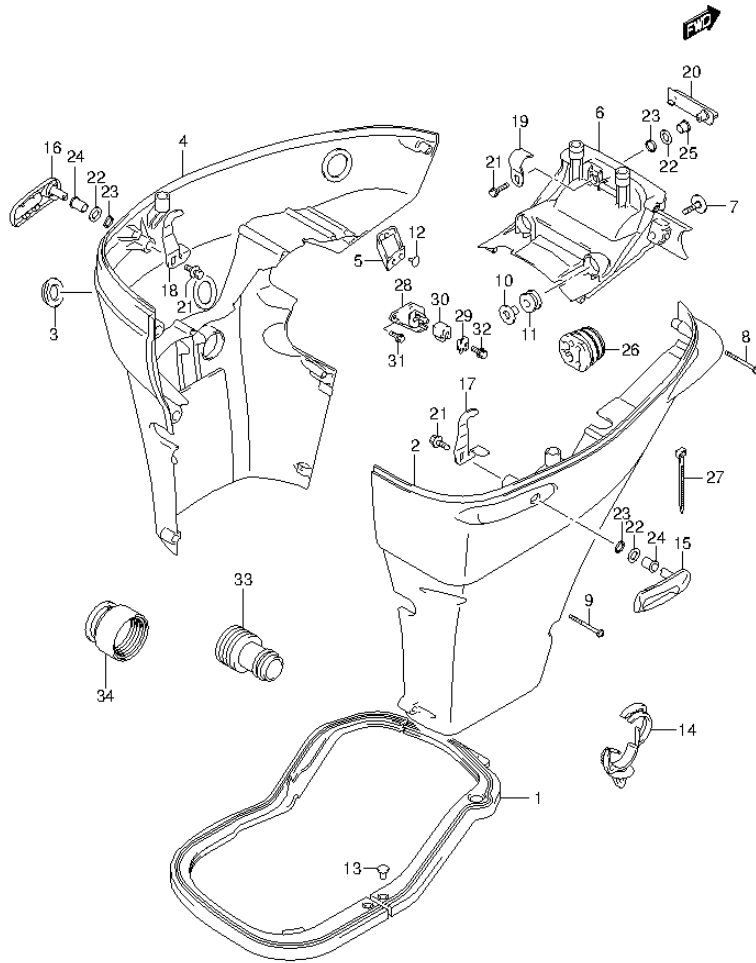


FIG.64 (1-G-10) SIDE COVER (DF140AZ E01)

REF NO.	PART NO.	DESCRIPTION	Q'TY	REMARKS
1	61134-90J20	SEAL, SIDE COVER	1	
2	61810-90J10-0EP	COVER, SIDE STBD (BLACK)	1	
3	61817-89J00	PLUG, SIDE COVER	1	
4	61820-90J10-0EP	COVER, SIDE PORT (BLACK)	1	
5	61827-90J00	HOLDER, SIDE COVER	1	
6	61831-90J12-0EP	PANEL, FRONT (BLACK)	1	
7	09118-08127	BOLT (8X40)	2	
8	09136-06148	SCREW (6X35)	7	
9	09136-06149	SCREW (6X55)	2	
10	09169-08039	WASHER	2	
11	09320-11013	CUSHION	2	
12	09321-08022	CUSHION	2	
13	09409-05302-5PK	CLIP (BLACK)	2	
14	09403-20308	CLIP	1	
15	61633-90J02-0EP	LEVER, HOOK REAR (BLACK)	1	
16	61633-90J02-0EP	LEVER, HOOK REAR (BLACK)	1	
17	61637-90J10	HOOK, ENGINE COVER RR STBD	1	
18	61638-90J10	HOOK, ENGINE COVER RR PORT	1	
19	61641-87D00	HOOK, ENGINE COVER FR	1	
20	61645-90J01-0EP	LEVER, HOOK FR (BLACK)	1	
21	09116-06127	BOLT (6X12)	3	
22	09160-13014	WASHER (13.2X25X1)	3	
23	09164-14008	WASHER	3	
24	09306-13008	BUSH	2	
25	09307-13006	BUSH	1	
26	61124-90J30	GROMMET, REMOCON CABLE	1	
27	09407-25402	CLAMP (L:248)	1	
28	67341-90J32	HOLDER, REMOCON CABLE	1	
29	67343-90J20	STOPPER, REMOCON CABLE	1	
30	67344-90J00	CUSHION, REMOCON CABLE HLDR	1	
31	01550-06167	BOLT	2	
32	01580-08257	BOLT	1	
33	67300-90J00	KIT, HOSE ADAPTER	1	OPT

FIG.65

FIG.65 (1-G-11) SIDE COVER (DF140AZ E40)



REF NO.	PART NO.	DESCRIPTION	Q'TY	REMARKS
1	61134-90J20	SEAL, SIDE COVER	1	
2	61810-90J10-0EP	COVER, SIDE STBD (BLACK)	1	
3	61817-89J00	PLUG, SIDE COVER	1	
4	61820-90J10-0EP	COVER, SIDE PORT (BLACK)	1	
5	61827-90J00	HOLDER, SIDE COVER	1	
6	61831-90J12-0EP	PANEL, FRONT (BLACK)	1	
7	09118-08127	BOLT (8X40)	2	
8	09136-06148	SCREW (6X35)	7	
9	09136-06149	SCREW (6X55)	2	
10	09169-08039	WASHER	2	
11	09320-11013	CUSHION	2	
12	09321-08022	CUSHION	2	
13	09409-05302-5PK	CLIP (BLACK)	2	
14	09403-20308	CLIP	1	
15	61633-90J02-0EP	LEVER, HOOK REAR (BLACK)	1	
16	61633-90J02-0EP	LEVER, HOOK REAR (BLACK)	1	
17	61637-90J10	HOOK, ENGINE COVER RR STBD	1	
18	61638-90J10	HOOK, ENGINE COVER RR PORT	1	
19	61641-87D00	HOOK, ENGINE COVER FR	1	
20	61645-90J01-0EP	LEVER, HOOK FR (BLACK)	1	
21	09116-06127	BOLT (6X12)	3	
22	09160-13014	WASHER (13.2X25X1)	3	
23	09164-14008	WASHER	3	
24	09306-13008	BUSH	2	
25	09307-13006	BUSH	1	
26	61124-90J30	GROMMET, REMOCON CABLE	1	
27	09407-25402	CLAMP (L:248)	1	
28	67341-90J32	HOLDER, REMOCON CABLE	1	
29	67343-90J20	STOPPER, REMOCON CABLE	1	
30	67344-90J00	CUSHION, REMOCON CABLE HLDR	1	
31	01550-06167	BOLT	2	
32	01580-08257	BOLT	1	
33	17917-87L00	CONNECTOR, FLUSH WATER	1	
34	67300-90J00	KIT, HOSE ADAPTER	1	OPT

FIG.66

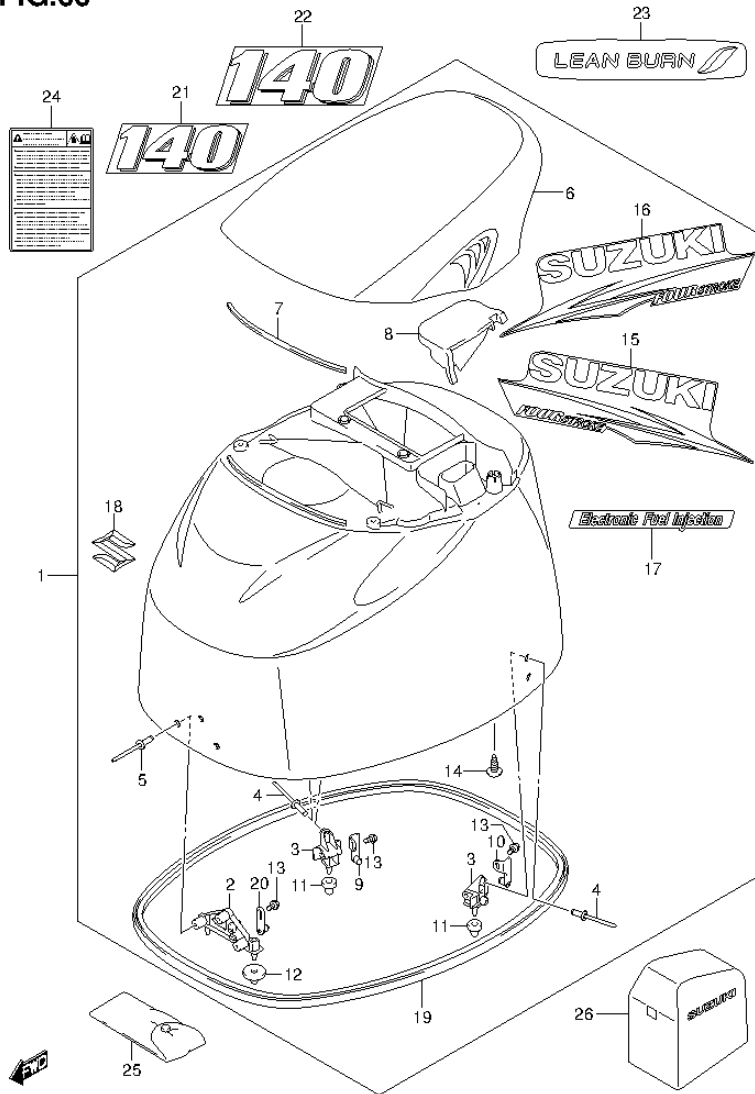


FIG.66 (1-G-12) ENGINE COVER

REF NO.	PART NO.	DESCRIPTION	Q'TY	REMARKS
1	61400-90850-OEP	COVER SET, ENGINE (BLACK)	1	
2	61621-87D20	.BRACKET, FASTENER FR	1	
3	61644-90J20	.BRACKET, FASTENER RR	2	
4	09229-04025	.RIVET	4	
5	09229-04025	.RIVET	3	
6	61431-92J10-OEP	.HANDLE, TILT UP (BLACK)	1	
7	61438-92J10	.SEAL, TILT UP HANDLE	1	
8	61439-92J10	.SEAL, TILT UP HANDLE	1	
9	61680-90J01	.FASTENER, REAR STBD	1	
10	61690-90J01	.FASTENER, REAR PORT	1	
11	09329-10022	.CUSHION	2	
12	09329-10023	.CUSHION	2	
13	01550-06127	.BOLT	3	
14	03542-06169	.SCREW	4	
15	61443-87L20	.STRIPE, ENGINE COVER STBD	1	
16	61453-87L20	.STRIPE, ENGINE COVER PORT	1	
17	61446-87L12	.DECAL, EFI	1	
18	77811-63J00-OPG	.EMBLEM (S) (CHROME)	1	
19	61112-92J00	.RUBBER, SIDE COVER	1	
20	61610-93J00	.FASTENER	1	
21	61422-92J12	MARK, EMBLEM FRONT	1	
22	61435-92J22	MARK, EMBLEM REAR	1	
23	61471-98J00	DECAL, LEAN BURN	1	
24	61458-99E70	LABEL, ENGINE COVER	1	
25	09800-81840	TOOL SET	1	
26	68110-87L00	COVER, WEATHER	1	OPT

FIG.67

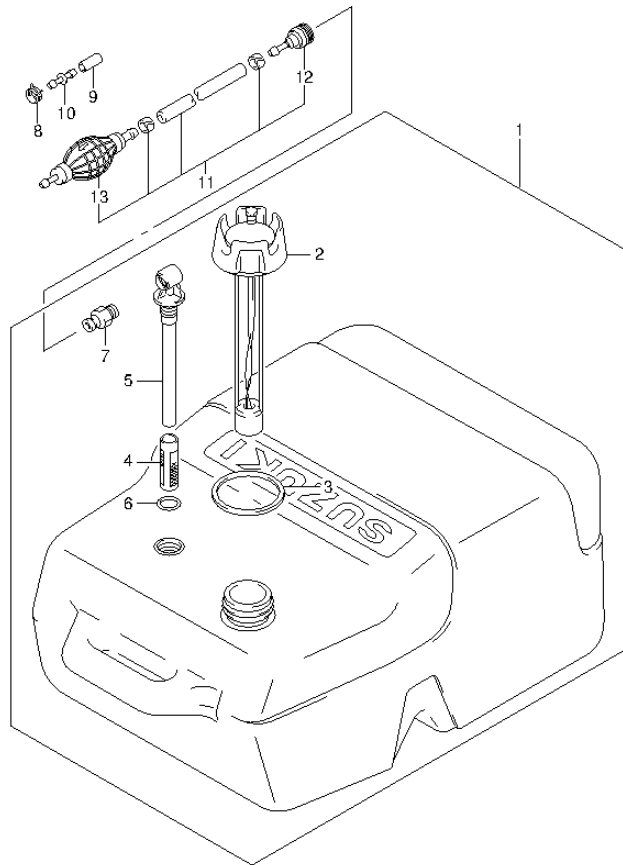


FIG.67 (1-G-13) FUEL TANK

REF NO.	PART NO.	DESCRIPTION	Q'TY	REMARKS
1	65000-95D01	TANK ASSY, FUEL (25L)	1	
2	65520-95D00	.CAP ASSY, FUEL TANK	1	
3	65561-95D00	.GASKET, TANK CAP	1	
4	65831-95D00	.FILTER, OUTLET	1	
5	65890-95D00	.OUTLET ASSY	1	
6	65892-95D00	.O RING, FUEL OUTLET	1	
7	65740-95D01	.PLUG, FUEL CONNECTOR	1	
8	09401-11423	CLIP	1	
9	09251-07003	CAP	1	
10	09367-08001	JOINT	1	
11	65700-90J13	HOSE, FUEL (TANK TO ENGINE)	1	
12	65750-95500	.SOCKET, FUEL HOSE	1	
13	65770-90J10	.PUMP, SQUEEZE	1	

FIG.68

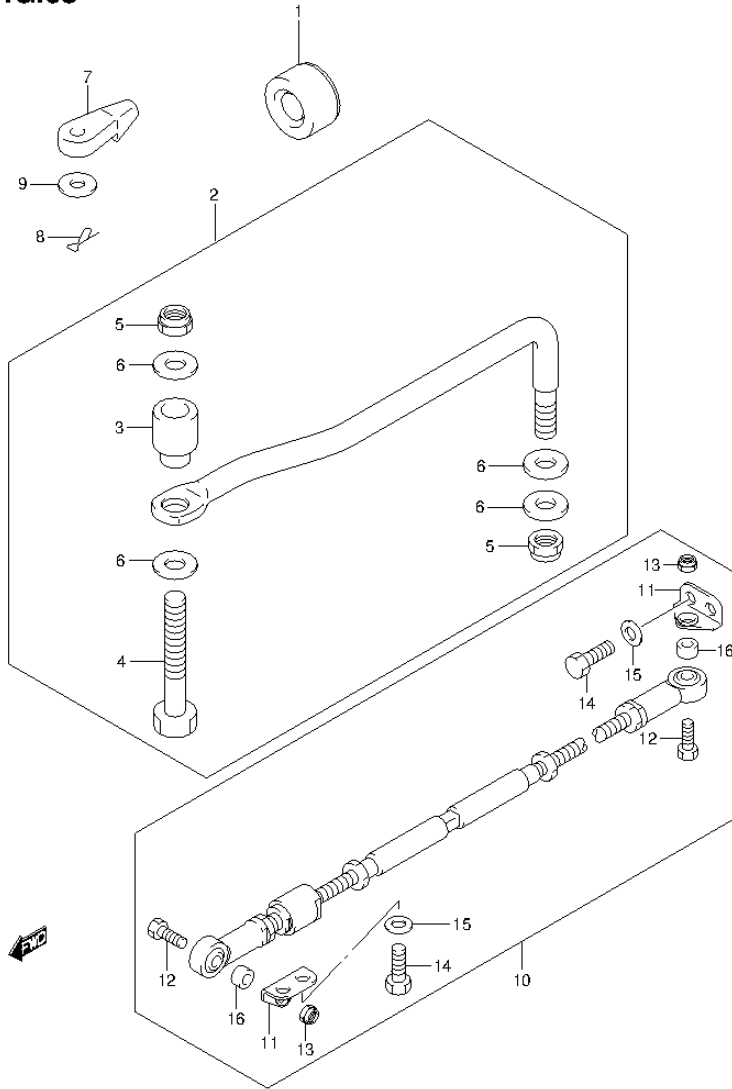


FIG.68 (1-G-14) DRAG LINK

REF NO.	PART NO.	DESCRIPTION	Q'TY	REMARKS
1	41161-94400	SEAL, STEERING CABLE	1	
2	67701-90J00	LINK, DRAG	1	
3	67721-99E00	.SPACER	1	
4	67725-99E00	.BOLT, DRAG LINK	1	
5	67726-99E00	.NUT	2	
6	67728-99E00	.WASHER	4	
7	67467-89J01	CONNECTOR, REMOCON CABLE	2	
8	09385-06012	CLIP	2	
9	09160-06055	WASHER (7X12X1)	2	
10	67600-90J00	KIT, TIE ROD	1	OPT
11	67631-90J00	.BRACKET, TIE ROD	2	OPT
12	67725-99E10	.BOLT	2	OPT
13	67726-99E00	.NUT	2	OPT
14	09100-12081	.BOLT (12X25)	4	OPT
15	09160-12066	.WASHER (12.5X22X2.5)	4	OPT
16	09180-09022	.SPACER (9.6X18X12)	2	OPT

FIG.69

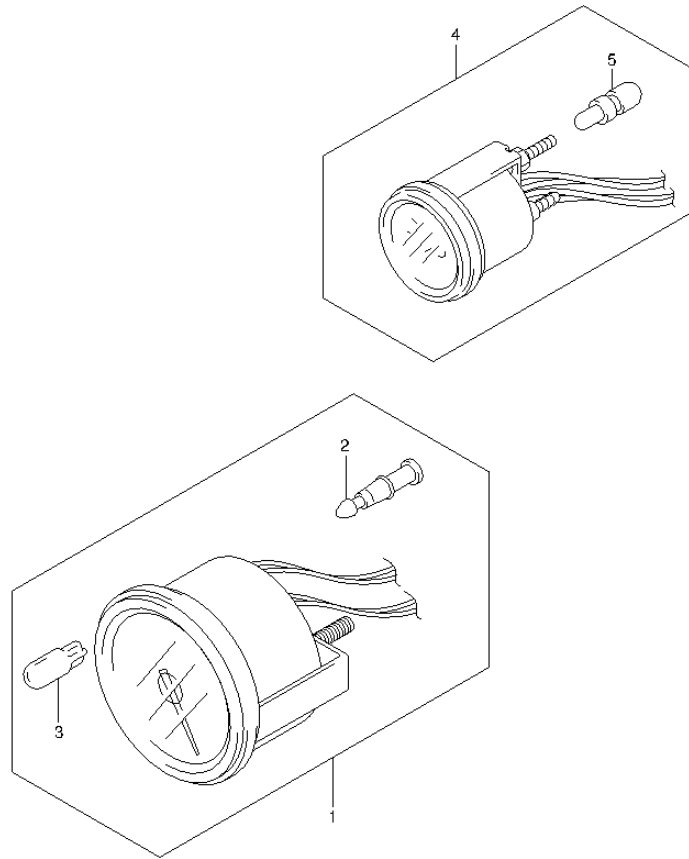


FIG.69 (1-G-15) METER (DF140AT E01)

REF NO.	PART NO.	DESCRIPTION	Q'TY	REMARKS
1-1	34200-93J00	TACHOMETER ASSY	1	BLACK
1-2	34200-93J11	TACHOMETER ASSY	1	WHITE
2	36615-96300	.TERMINAL, RESIN	4	
3	09471-12077	.BULB (12V, 1.7W)	1	
4-1	34800-93J00	METER ASSY, TRIM	1	BLACK
4-2	34800-93J11	METER ASSY, TRIM	1	WHITE
5	09471-12103	.BULB (12V, 3.4W)	1	

FIG.70

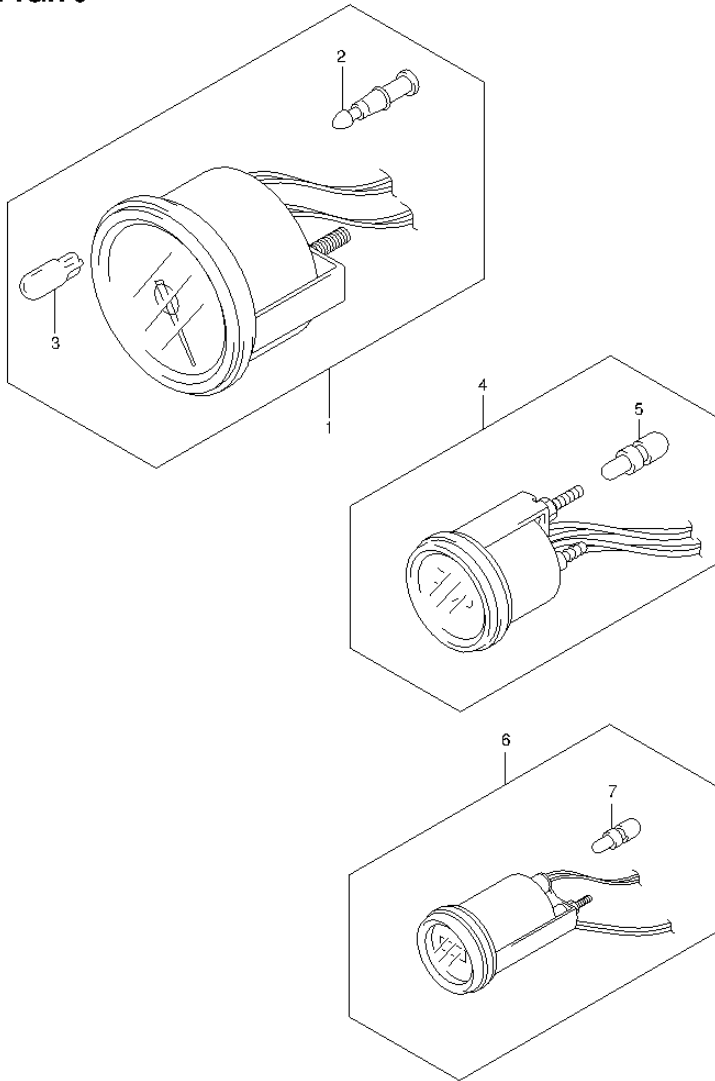


FIG.70 (1-H-2) METER (DF140AT E40)

REF NO.	PART NO.	DESCRIPTION	Q'TY	REMARKS
1-1	34200-93J00	TACHOMETER ASSY	1	BLACK
1-2	34200-93J11	TACHOMETER ASSY	1	WHITE
2	36615-96300	.TERMINAL, RESIN	4	
3	09471-12077	.BULB (12V, 1.7W)	1	
4-1	34800-93J00	METER ASSY, TRIM	1	BLACK
4-2	34800-93J11	METER ASSY, TRIM	1	WHITE
5	09471-12103	.BULB (12V, 3.4W)	1	
6-1	34500-93J00	METER ASSY, HOUR	1	BLACK
6-2	34500-93J11	METER ASSY, HOUR	1	WHITE
7	09471-12103	.BULB (12V, 3.4W)	1	

FIG.71

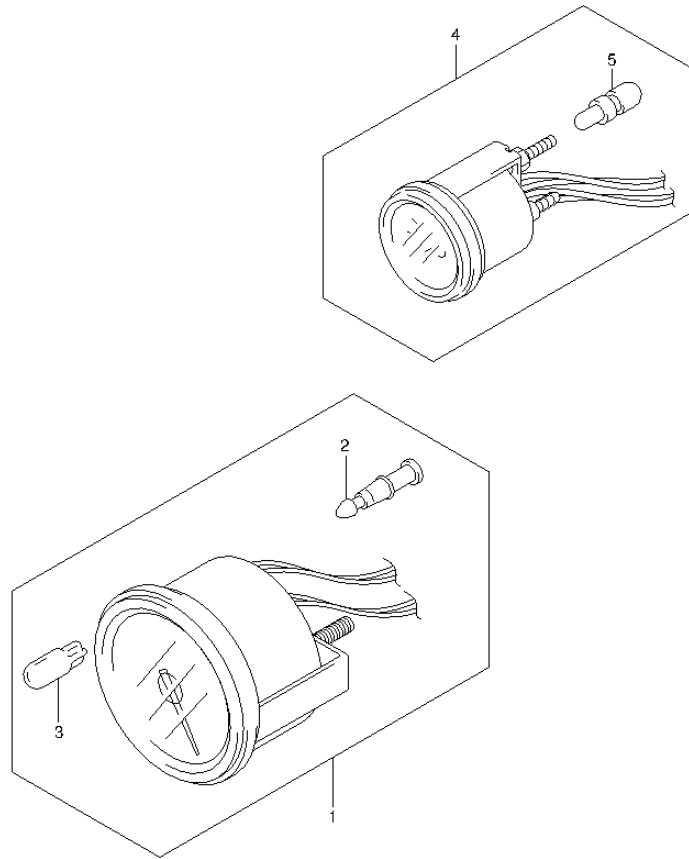


FIG.71 (1-H-3) METER (DF140AZ E01)

REF NO.	PART NO.	DESCRIPTION	Q'TY	REMARKS
1-1	34200-93J00	TACHOMETER ASSY	1	BLACK
1-2	34200-93J11	TACHOMETER ASSY	1	WHITE
2	36615-96300	.TERMINAL, RESIN	4	
3	09471-12077	.BULB (12V, 1.7W)	1	
4-1	34800-93J00	METER ASSY, TRIM	1	BLACK
4-2	34800-93J11	METER ASSY, TRIM	1	WHITE
5	09471-12103	.BULB (12V, 3.4W)	1	

FIG.72

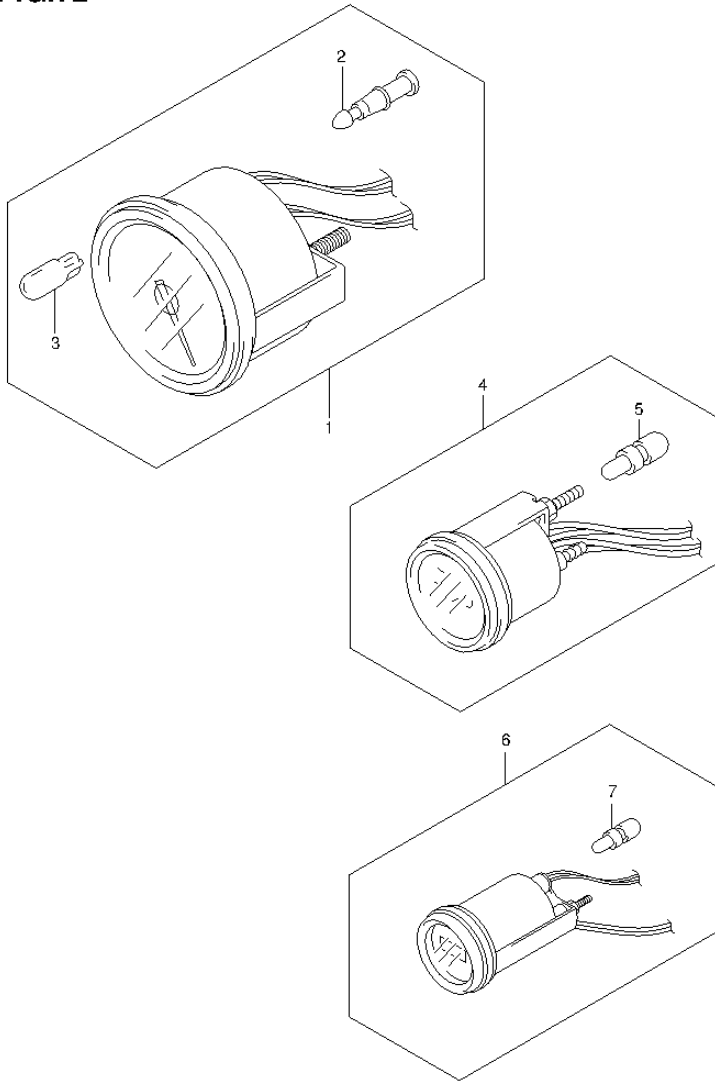


FIG.72 (1-H-4) METER (DF140AZ E40)

REF NO.	PART NO.	DESCRIPTION	Q'TY	REMARKS
1-1	34200-93J00	TACHOMETER ASSY	1	BLACK
1-2	34200-93J11	TACHOMETER ASSY	1	WHITE
2	36615-96300	.TERMINAL, RESIN	4	
3	09471-12077	.BULB (12V, 1.7W)	1	
4-1	34800-93J00	METER ASSY, TRIM	1	BLACK
4-2	34800-93J11	METER ASSY, TRIM	1	WHITE
5	09471-12103	.BULB (12V, 3.4W)	1	
6-1	34500-93J00	METER ASSY, HOUR	1	BLACK
6-2	34500-93J11	METER ASSY, HOUR	1	WHITE
7	09471-12103	.BULB (12V, 3.4W)	1	

FIG.73

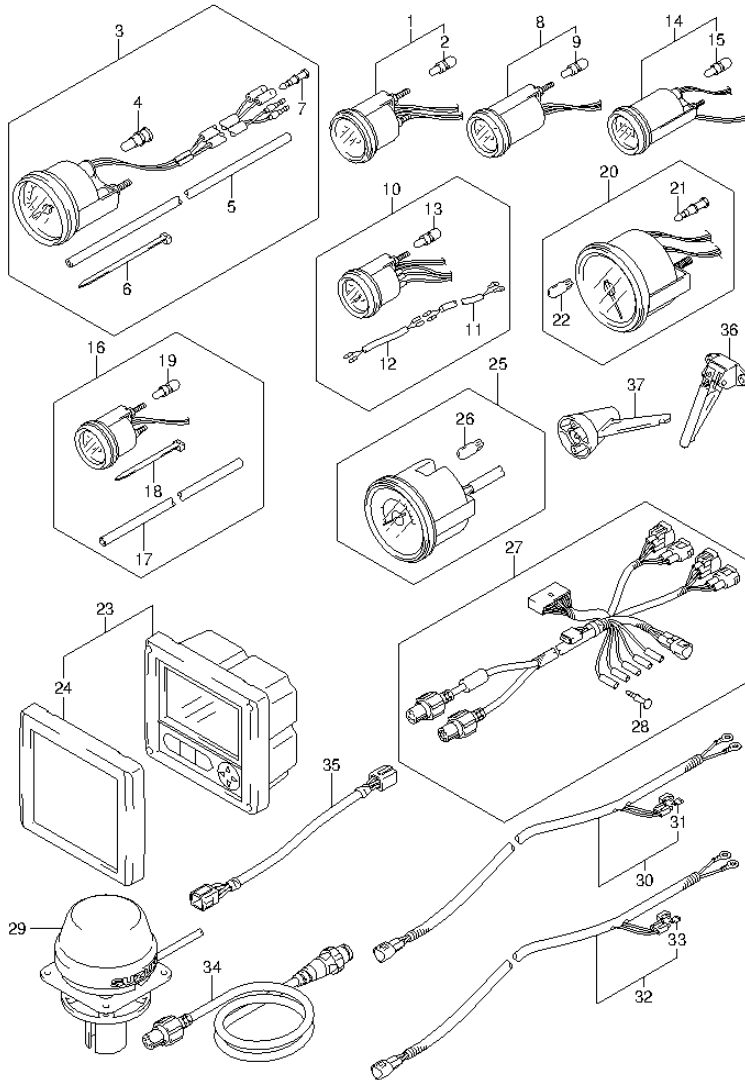


FIG.73 (1-H-5) OPT:METER

REF NO.	PART NO.	DESCRIPTION	Q'TY	REMARKS
1-1	34800-93J00	METER ASSY, TRIM	1	BLACK
1-2	34800-93J11	METER ASSY, TRIM	1	WHITE
2	09471-12103	.BULB (12V, 3.4W)	1	
3-1	34100-93J00	SPEEDOMETER ASSY	1	MAX 130KM/H BLACK
3-2	34100-93J11	SPEEDOMETER ASSY	1	MAX 130KM/H WHITE
3-3	34100-93J20	SPEEDOMETER ASSY	1	MAX 80KM/H BLACK
3-4	34100-93J31	SPEEDOMETER ASSY	1	MAX 80KM/H WHITE
3-5	34100-93J40	SPEEDOMETER ASSY	1	MAX 45KNOTS BLACK
3-6	34100-93J51	SPEEDOMETER ASSY	1	MAX 45KNOTS WHITE
3-7	34100-93J60	SPEEDOMETER ASSY	1	MAX 65KNOTS WHITE
4	09471-12028	.BULB (12V, 3.4W)	1	
5	34191-92E00	.TUBE	1	
6	09407-14407	.CLAMP (L:145)	2	
7	36615-96300	.TERMINAL, RESIN	2	
8-1	34600-93J00	METER ASSY, VOLTAGE	1	BLACK
8-2	34600-93J11	METER ASSY, VOLTAGE	1	WHITE
9	09471-12103	.BULB (12V, 3.4W)	1	
10-1	34300-93J00	GAUGE ASSY, FUEL	1	BLACK
10-2	34300-93J11	GAUGE ASSY, FUEL	1	WHITE
11	34310-92E00	.LEAD, FUEL GAUGE	1	
12	34360-92E00	.ADAPTER, FUEL GAUGE	1	
13	09471-12103	.BULB (12V, 3.4W)	1	
14-1	34500-93J00	METER ASSY, HOUR	1	BLACK
14-2	34500-93J11	METER ASSY, HOUR	1	WHITE
15	09471-12103	.BULB (12V, 3.4W)	1	
16-1	34650-93J20	GAUGE ASSY, WATER PRESSURE	1	15PSI BLACK
16-2	34650-93J31	GAUGE ASSY, WATER PRESSURE	1	15PSI WHITE
17	34191-92E00	.TUBE	1	
18	09407-14407	.CLAMP (L:145)	2	
19	09471-12103	.BULB (12V, 3.4W)	1	
20-1	34200-93J00	TACHOMETER ASSY, WITH MONITOR	1	BLACK
20-2	34200-93J11	TACHOMETER ASSY, WITH MONITOR	1	WHITE
21	36615-96300	.TERMINAL, RESIN	4	
22	09471-12077	.BULB (12V, 1.7W)	1	

FIG.73

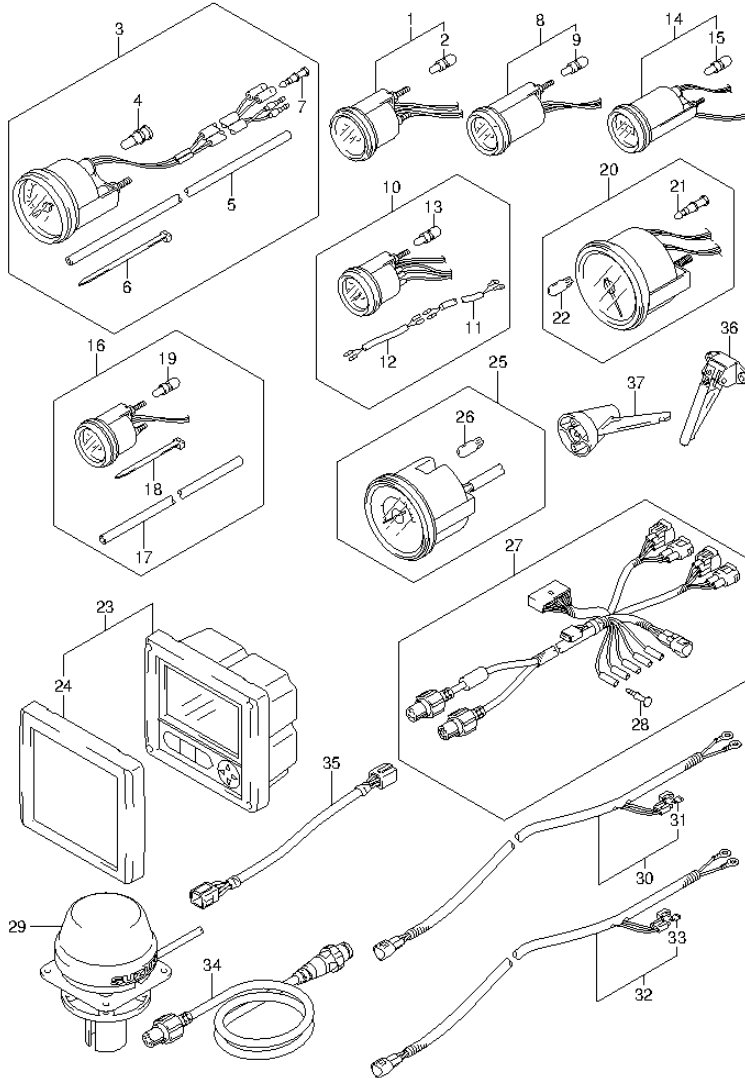


FIG.73 (1-H-6) OPT:METER

REF NO.	PART NO.	DESCRIPTION	Q'TY	REMARKS
23	34200-87L10	GAUGE ASSY, MULTI	1	
24	34211-87L00	.COVER, FRONT	1	
25-1	34200-93J40	TACHOMETER ASSY, WITH MONITOR	1	BLACK
25-2	34200-93J50	TACHOMETER ASSY, WITH MONITOR	1	WHITE
26	09471-12077	.BULB (12V, 1.7W)	1	
27	36661-87L00	ADAPTER, GAUGE	1	
28	36615-96300	.TERMINAL, RESIN	5	
29	39950-87L00	MODULE ASSY, GPS RECIVER	1	
30	36663-98J00	WIRE, GAUGE POWER	1	
31	09481-05501	.FUSE (5A)	1	
32	36663-98J10	WIRE, GAUGE POWER	1	
33	09481-05501	.FUSE (5A)	1	
34	36666-87L00	WIRE, NETWORK	1	
35	36682-92E00	WIRE, MONITOR GAUGE EXT	1	
36	34190-87D00	SENDER ASSY, SPEEDOMETER	1	
37	34190-95500	SENDER ASSY, SPEEDOMETER	1	

FIG.74

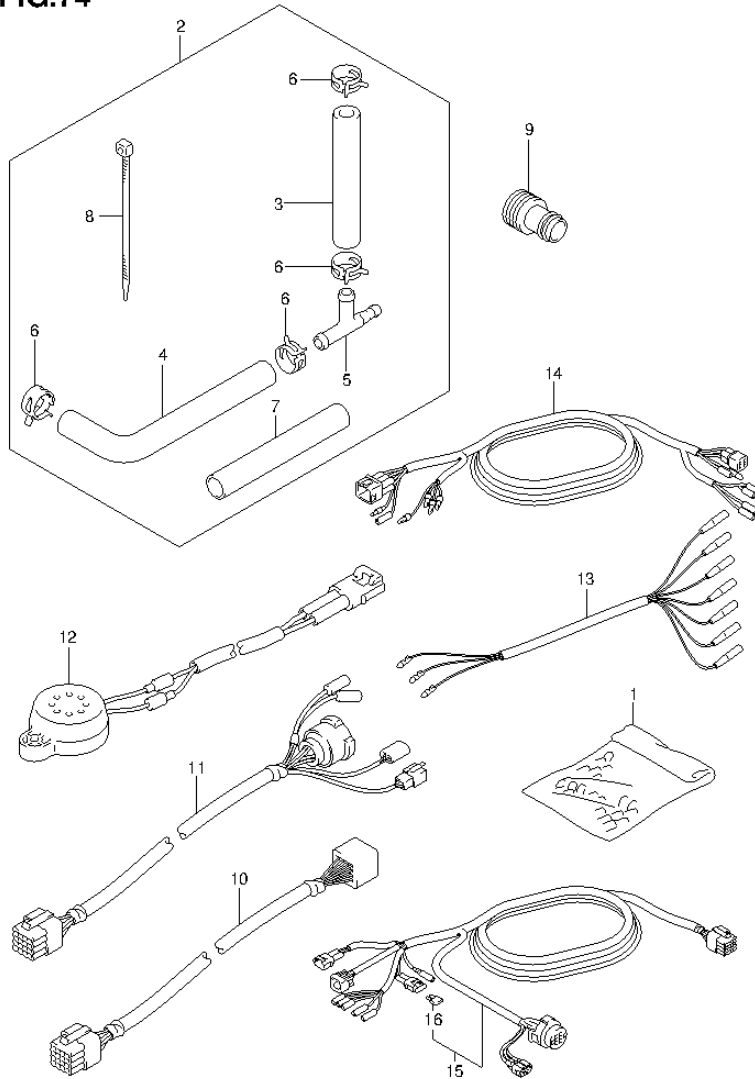


FIG.74 (1-H-7) OPT:HARNESS (DF140AT E01)

REF NO.	PART NO.	DESCRIPTION	Q'TY	REMARKS
1	36990-87D00	TERMINAL & SLEEVE SET	1	
2	34660-90J02	WATER PRESS GAUGE SUB KIT	1	
3	09352-50903-600	.HOSE (5X9X600)	1	L:600->160
4	09352-50903-600	.HOSE (5X9X600)	1	L:600->210
5	09367-06006	.3 WAY	1	
6	09401-08413	.CLIP	4	
7	18498-99EA0	.PROTECTOR (L:80)	1	
8	09407-25402	.CLAMP (L:248)	1	
9	17917-87L00	CONNECTOR, FLUSH WATER	1	
10-1	36620-93J10	WIRE ASSY, REMOCON EXTENSION	1	L:2000
10-2	36620-93J40	WIRE ASSY, REMOCON EXTENSION	1	L:3000
11	36620-93J30	WIRE ASSY, REMOCON ADAPTER	1	L:2000
12	38500-93J00	BUZZER ASSY, WARNING	1	
13	36630-92E00	WIRE ASSY, INSTRUMENT	1	
14	36660-94480	WIRE MONITOR GAUGE EXTENSION	1	
15-1	36620-93J02	WIRE ASSY, REMOTE CONTROL	1	L:5000
15-2	36620-93J52	WIRE ASSY, REMOTE CONTROL	1	L:3500
15-3	36620-93J62	WIRE ASSY, REMOTE CONTROL	1	L:6500
16	09481-10501	.FUSE (10A)	1	

FIG.75

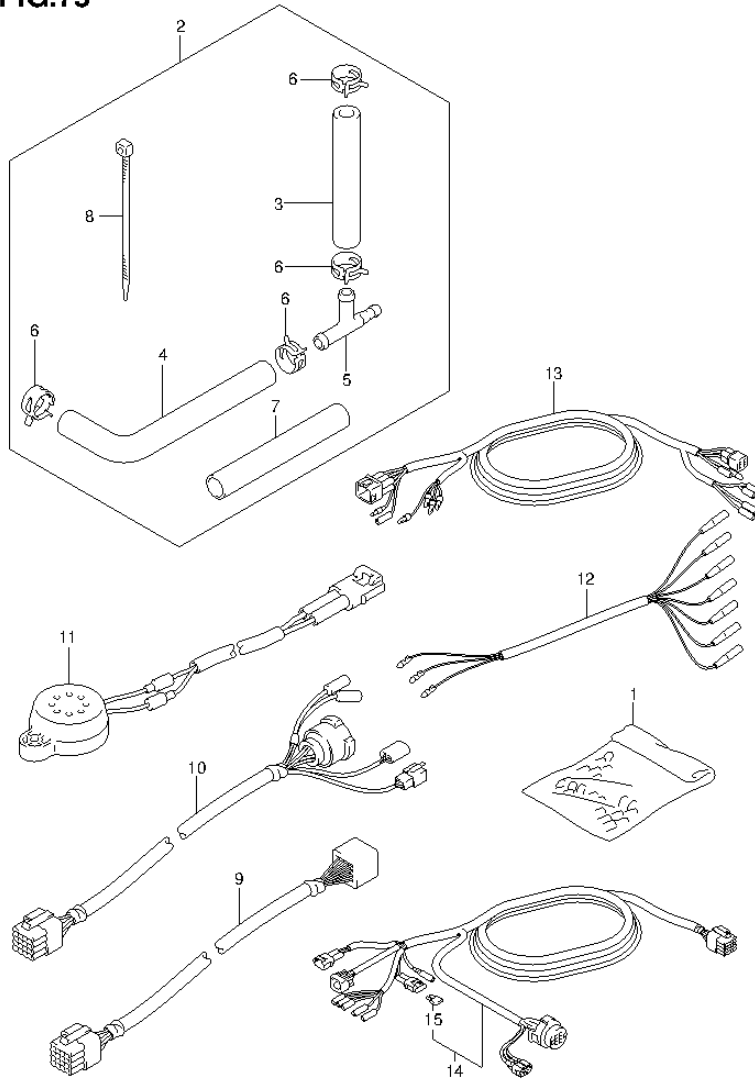


FIG.75 (1-H-8) OPT:HARNESS (DF140AT E40)

REF NO.	PART NO.	DESCRIPTION	Q'TY	REMARKS
1	36990-87D00	TERMINAL & SLEEVE SET	1	
2	34660-90J02	WATER PRESS GAUGE SUB KIT	1	
3	09352-50903-600	.HOSE (5X9X600)	1	L:600->160
4	09352-50903-600	.HOSE (5X9X600)	1	L:600->210
5	09367-06006	.3 WAY	1	
6	09401-08413	.CLIP	4	
7	18498-99EA0	.PROTECTOR (L:80)	1	
8	09407-25402	.CLAMP (L:248)	1	
9-1	36620-93J10	WIRE ASSY, REMOCON EXTENSION	1	L:2000
9-2	36620-93J40	WIRE ASSY, REMOCON EXTENSION	1	L:3000
10	36620-93J30	WIRE ASSY, REMOCON ADAPTER	1	L:2000
11	38500-93J00	BUZZER ASSY, WARNING	1	
12	36630-92E00	WIRE ASSY, INSTRUMENT	1	
13	36660-94480	WIRE MONITOR GAUGE EXTENSION	1	
14-1	36620-93J02	WIRE ASSY, REMOTE CONTROL	1	L:5000
14-2	36620-93J52	WIRE ASSY, REMOTE CONTROL	1	L:3500
14-3	36620-93J62	WIRE ASSY, REMOTE CONTROL	1	L:6500
15	09481-10501	.FUSE (10A)	1	

FIG.76

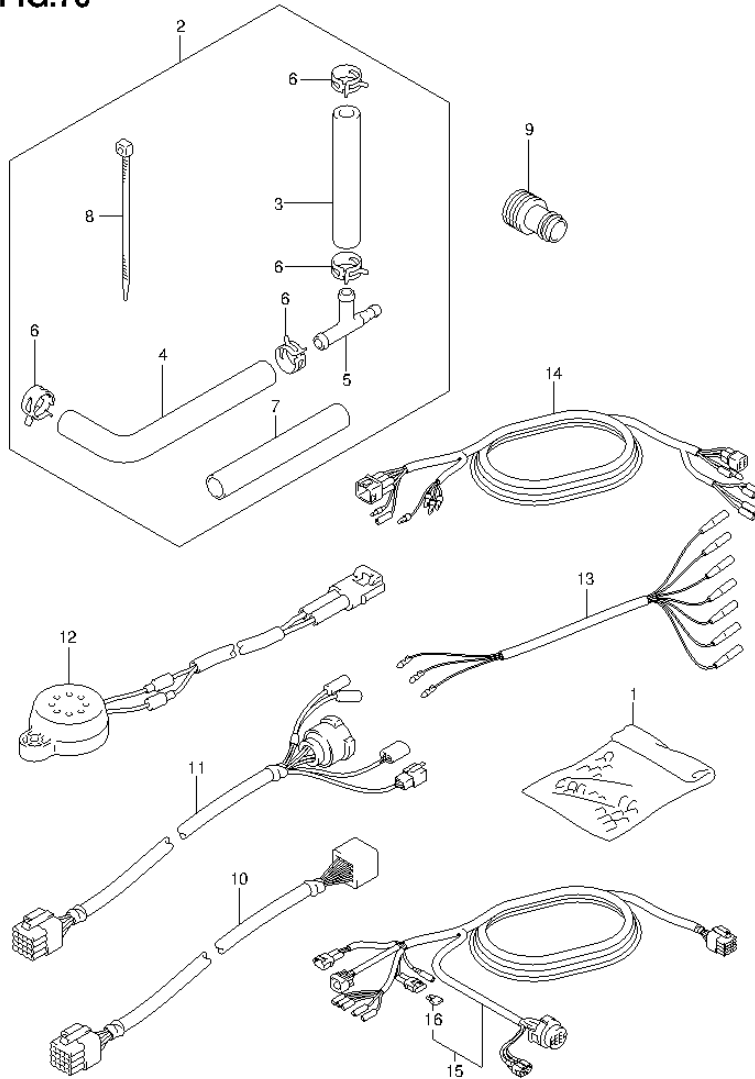


FIG.76 (1-H-9) OPT:HARNESS (DF140AZ E01)

REF NO.	PART NO.	DESCRIPTION	Q'TY	REMARKS
1	36990-87D00	TERMINAL & SLEEVE SET	1	
2	34660-90J02	WATER PRESS GAUGE SUB KIT	1	
3	09352-50903-600	.HOSE (5X9X600)	1	L:600->160
4	09352-50903-600	.HOSE (5X9X600)	1	L:600->210
5	09367-06006	.3 WAY	1	
6	09401-08413	.CLIP	4	
7	18498-99EA0	.PROTECTOR (L:80)	1	
8	09407-25402	.CLAMP (L:248)	1	
9	17917-87L00	CONNECTOR, FLUSH WATER	1	
10-1	36620-93J10	WIRE ASSY, REMOCON EXTENSION	1	L:2000
10-2	36620-93J40	WIRE ASSY, REMOCON EXTENSION	1	L:3000
11	36620-93J30	WIRE ASSY, REMOCON ADAPTER	1	L:2000
12	38500-93J00	BUZZER ASSY, WARNING	1	
13	36630-92E00	WIRE ASSY, INSTRUMENT	1	
14	36660-94480	WIRE MONITOR GAUGE EXTENSION	1	
15-1	36620-93J02	WIRE ASSY, REMOTE CONTROL	1	L:5000
15-2	36620-93J52	WIRE ASSY, REMOTE CONTROL	1	L:3500
15-3	36620-93J62	WIRE ASSY, REMOTE CONTROL	1	L:6500
16	09481-10501	.FUSE (10A)	1	

FIG.77

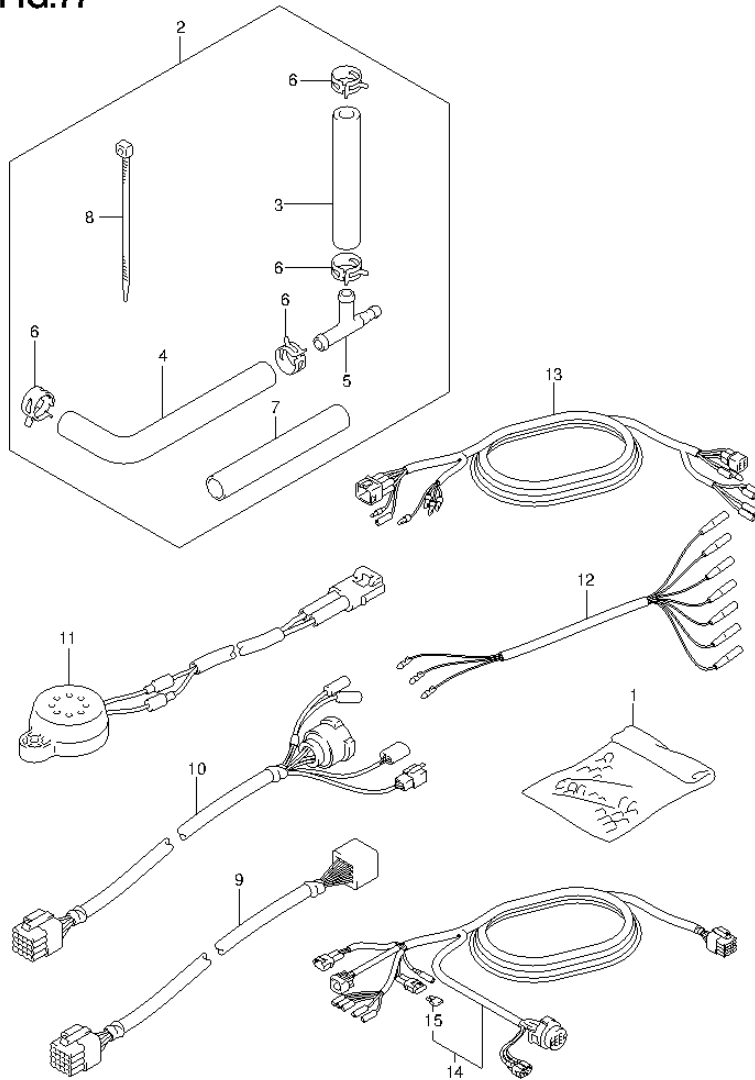


FIG.77 (1-H-10) OPT:HARNESS (DF140AZ E40)

REF NO.	PART NO.	DESCRIPTION	Q'TY	REMARKS
1	36990-87D00	TERMINAL & SLEEVE SET	1	
2	34660-90J02	WATER PRESS GAUGE SUB KIT	1	
3	09352-50903-600	.HOSE (5X9X600)	1	L:600->160
4	09352-50903-600	.HOSE (5X9X600)	1	L:600->210
5	09367-06006	.3 WAY	1	
6	09401-08413	.CLIP	4	
7	18498-99EA0	.PROTECTOR (L:80)	1	
8	09407-25402	.CLAMP (L:248)	1	
9-1	36620-93J10	WIRE ASSY, REMOCON EXTENSION	1	L:2000
9-2	36620-93J40	WIRE ASSY, REMOCON EXTENSION	1	L:3000
10	36620-93J30	WIRE ASSY, REMOCON ADAPTER	1	L:2000
11	38500-93J00	BUZZER ASSY, WARNING	1	
12	36630-92E00	WIRE ASSY, INSTRUMENT	1	
13	36660-94480	WIRE MONITOR GAUGE EXTENSION	1	
14-1	36620-93J02	WIRE ASSY, REMOTE CONTROL	1	L:5000
14-2	36620-93J52	WIRE ASSY, REMOTE CONTROL	1	L:3500
14-3	36620-93J62	WIRE ASSY, REMOTE CONTROL	1	L:6500
15	09481-10501	.FUSE (10A)	1	

FIG.78

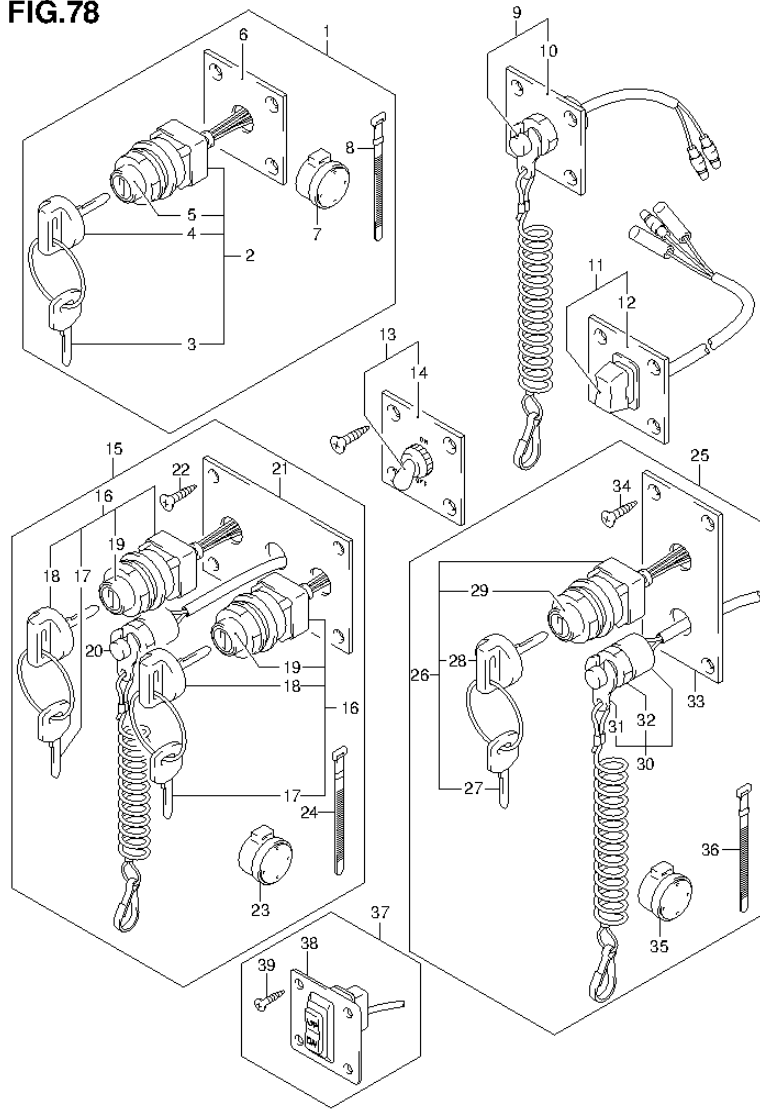


FIG.78 (1-H-11) OPT:SWITCH

REF NO.	PART NO.	DESCRIPTION	Q'TY	REMARKS
1	37100-96J00	PANEL ASSY, IGNITION SW	1	
2	37110-93J00	.SWITCH ASSY, IGNITION	1	
3-1	37141-99E00	..KEY (931)	1	
3-2	37141-99E10	..KEY (932)	1	
3-3	37141-99E20	..KEY (933)	1	
3-4	37141-99E30	..KEY (934)	1	
3-5	37141-99E40	..KEY (935)	1	
3-6	37141-99E50	..KEY (936)	1	
3-7	37141-99E60	..KEY (937)	1	
3-8	37141-99E70	..KEY (938)	1	
3-9	37141-99E80	..KEY (939)	1	
3-10	37141-99E90	..KEY (940)	1	
3-11	37141-99EA0	..KEY (941)	1	
3-12	37141-99EB0	..KEY (942)	1	
4	37143-99E00	..CAP, KEY	1	
5	37149-93J00	..CAP, CYLINDER BODY	1	
6	37139-99E00	.PANEL, IGNITION SW	1	
7	38500-93J90	.BUZZER ASSY, WARNING	1	
8	09407-08401	.CLAMP (L:80)	1	
9	37803-93J03	PANEL ASSY, EMERGENCY SW	1	
10	37825-99E00	.PANEL, EMERGENCY SW	1	
11	37805-93J00	PANEL ASSY, PTT SW	1	
12	37855-99E00	.PANEL, PTT SW	1	
13	37210-93J00	PANEL ASSY, LIGHTING SW	1	
14	37212-93J00	.PANEL, LIGHTING SW	1	
15	37100-96J13	PANEL ASSY, DUAL ENGINE SW	1	
16	37110-93J00	.SWITCH ASSY, IGNITION	2	
17-1	37141-99E00	..KEY (931)	4	
17-2	37141-99E10	..KEY (932)	4	
17-3	37141-99E20	..KEY (933)	4	
17-4	37141-99E30	..KEY (934)	4	
17-5	37141-99E40	..KEY (935)	4	
17-6	37141-99E50	..KEY (936)	4	
17-7	37141-99E60	..KEY (937)	4	

FIG.78

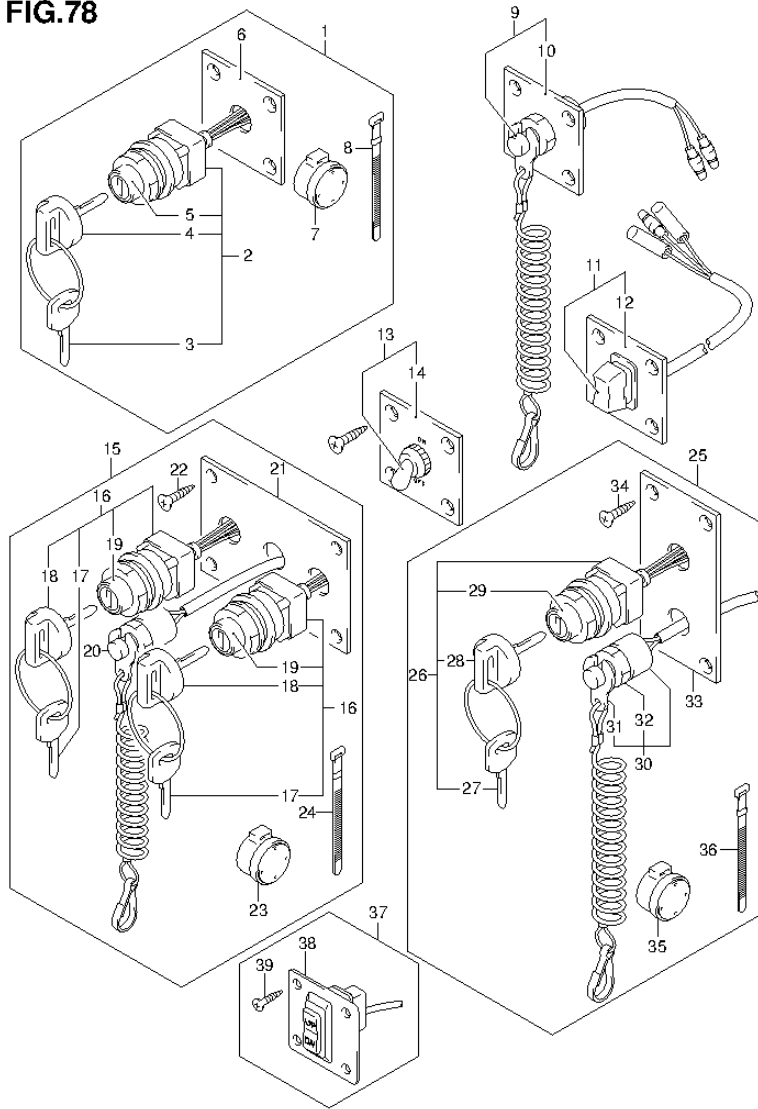


FIG.78 (1-H-12) OPT:SWITCH

REF NO.	PART NO.	DESCRIPTION	Q'TY	REMARKS
17-8	37141-99E70	..KEY (938)	4	
17-9	37141-99E80	..KEY (939)	4	
17-10	37141-99E90	..KEY (940)	4	
17-11	37141-99EA0	..KEY (941)	4	
17-12	37141-99EB0	..KEY (942)	4	
18	37143-99E00	..CAP, KEY	2	
19	37149-93J00	..CAP, CYLINDER BODY	2	
20	37820-93J93	..SWITCH ASSY, EMERGENCY	1	
21	37139-99E10	..PANEL, IGNITION SWITCH	1	
22	03121-0516A	..SCREW	4	
23	38500-93J90	..BUZZER ASSY, WARNING	1	
24	09407-08401	..CLAMP (L:80)	1	
25	37100-96J23	PANEL ASSY, ENGINE SW	1	
26	37110-93J00	..SWITCH ASSY, IGNITION	1	
27-1	37141-99E00	..KEY (931)	2	
27-2	37141-99E10	..KEY (932)	2	
27-3	37141-99E20	..KEY (933)	2	
27-4	37141-99E30	..KEY (934)	2	
27-5	37141-99E40	..KEY (935)	2	
27-6	37141-99E50	..KEY (936)	2	
27-7	37141-99E60	..KEY (937)	2	
27-8	37141-99E70	..KEY (938)	2	
27-9	37141-99E80	..KEY (939)	2	
27-10	37141-99E90	..KEY (940)	2	
27-11	37141-99EA0	..KEY (941)	2	
27-12	37141-99EB0	..KEY (942)	2	
28	37143-99E00	..CAP, KEY	1	
29	37149-93J00	..CAP, CYLINDER BODY	1	
30	37820-93J03	..SWITCH ASSY, EMERGENCY	1	
31	37823-92E01	..PLATE ASSY EMERGENCY SW LOCK	1	
32	37826-92E00	..NUT	1	
33	37139-99E20	..PANEL	1	
34	03121-0516A	..SCREW	4	
35	38500-93J90	..BUZZER ASSY, WARNING	1	

FIG.78

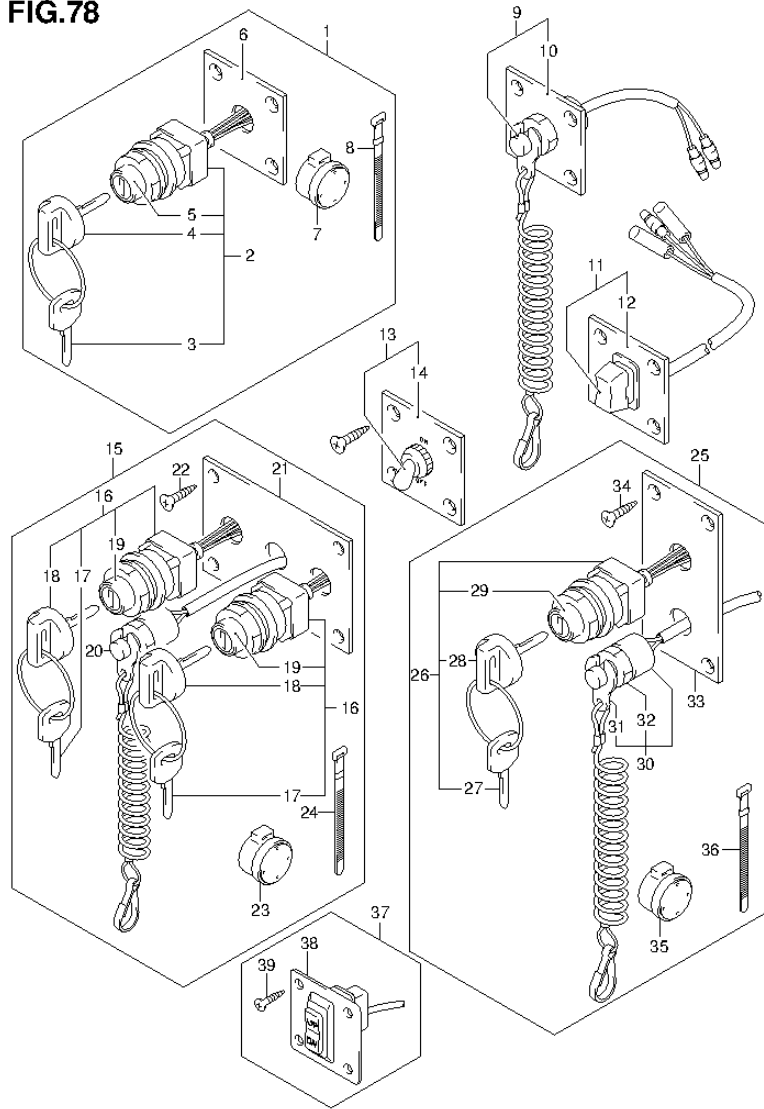


FIG.78 (1-H-13) OPT:SWITCH

REF NO.	PART NO.	DESCRIPTION	Q'TY	REMARKS
36	09407-08401	.CLAMP (L:80)	1	
37	37860-87L00	PANEL ASSY, TROLLING CTR SW	1	
38	37862-87L00	.PANEL	1	
39	09131-05004	.SCREW	4	

FIG.79

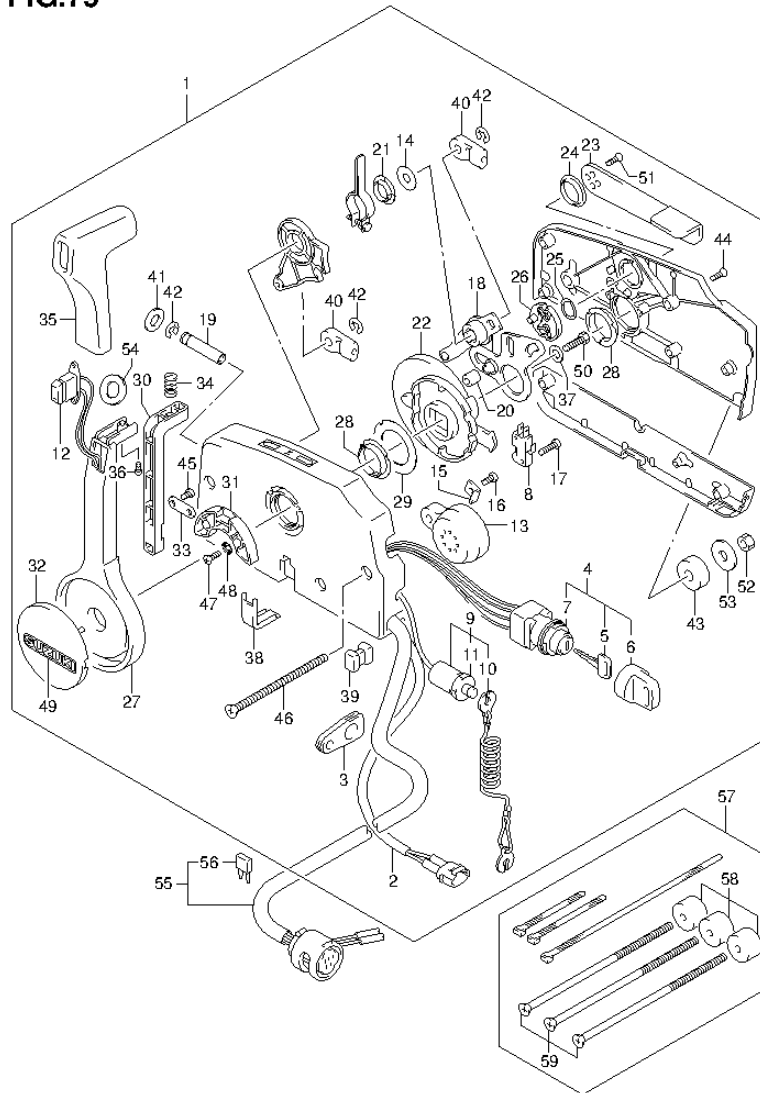


FIG.79 (1-H-14) OPT:REMOTE CONTROL (DF140AT E01)

REF NO.	PART NO.	DESCRIPTION	Q'TY	REMARKS
1	67200-93J06	REMOTE CONTROL ASSY	1	
2	36646-93J01	..WIRE ASSY, PTT SW ADAPTER	1	
3	36628-92E00	..GROMMET, WIRE HARNESS	1	
4	37110-93J10	..SWITCH ASSY, IGNITION	1	
5-1	37141-99E00	..KEY (931)	2	
5-2	37141-99E10	..KEY (932)	2	
5-3	37141-99E20	..KEY (933)	2	
5-4	37141-99E30	..KEY (934)	2	
5-5	37141-99E40	..KEY (935)	2	
5-6	37141-99E50	..KEY (936)	2	
5-7	37141-99E60	..KEY (937)	2	
5-8	37141-99E70	..KEY (938)	2	
5-9	37141-99E80	..KEY (939)	2	
5-10	37141-99E90	..KEY (940)	2	
5-11	37141-99EA0	..KEY (941)	2	
5-12	37141-99EB0	..KEY (942)	2	
6	37143-99E00	..CAP, KEY	2	
7	37149-93J00	..CAP CYLINDER BODY	1	
8	37721-93J90	..SWITCH, NEUTRAL	1	
9	37820-93J03	..SWITCH ASSY, EMERGENCY	1	
10	37823-92E01	..PLATE	1	
11	37826-92E00	..NUT	1	
12	37850-90J05	..SWITCH ASSY, PTT	1	
13	38500-93J90	..BUZZER	1	
14	67212-95600	..WASHER	1	
15	67213-92E00	..BRACKET, BUZZER	1	
16	09125-05042	..SCREW (5X10)	1	
17	67296-92E10	..SCREW, NEUTRAL SW	2	
18	67220-95630	..PLATE ASSY	1	
19	67223-99E10	..KNOB, BRAKE ADJ	1	
20	67229-95600	..ROLLER	1	
21	67232-95600	..BUSH	1	
22	67238-87D00	..GEAR, DRIVE	1	
23	67241-99E10	..LEVER, FREE THROTTLE	1	

FIG.79

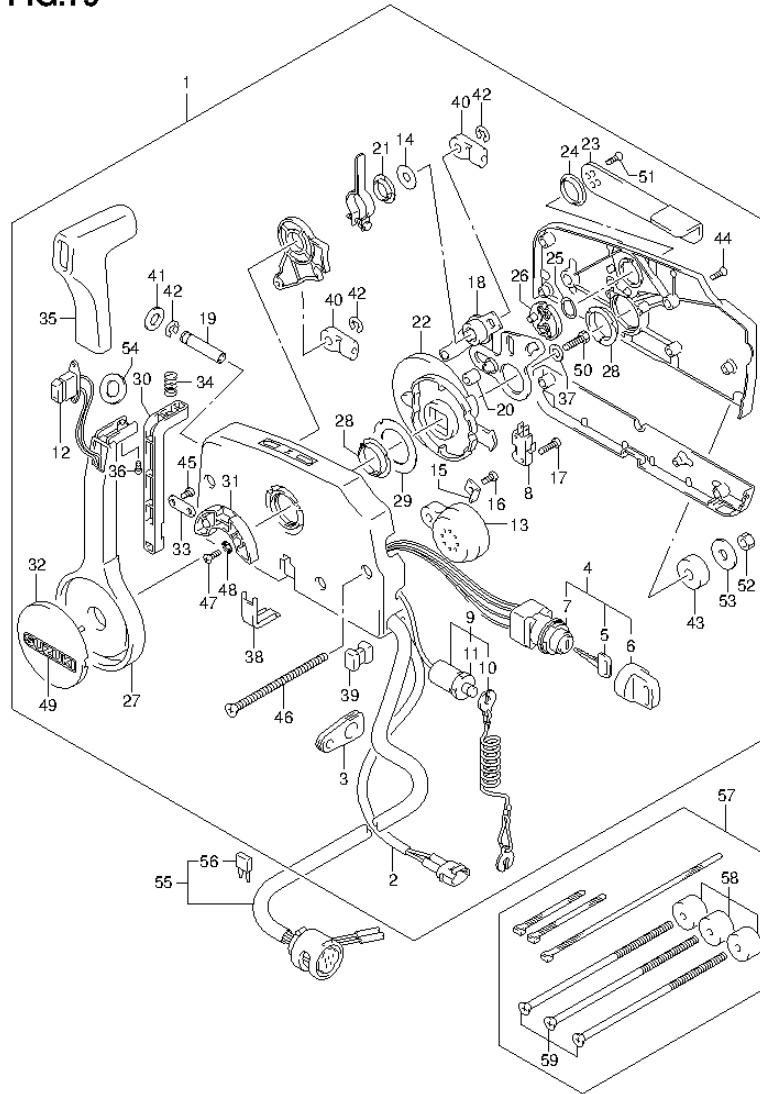


FIG.79 (1-H-15) OPT:REMOTE CONTROL (DF140AT E01)

REF NO.	PART NO.	DESCRIPTION	Q'TY	REMARKS
24	67243-95600	.BUSH	1	
25	67244-95600	.WASHER, WAVE	1	
26	67245-95600	.DRUM, FREE THROTTLE	1	
27	67251-99E10	.LEVER, HANDLE	1	
28	67252-95600	.BUSH	2	
29	67253-95600	.WASHER	1	
30	67255-99E00	.ARM, LOCK	1	
31	67256-95600	.HOLDER, NEUT LOCK	1	
32	67257-99E00	.CAP, LEVER	1	
33	67258-99E00	.BRACKET, LOCK ARM	1	
34	67259-87D00	.SPRING, NEUTRAL ARM	1	
35	67261-99E00	.GRIP	1	
36	67296-94310	.SCREW	1	
37	67264-95600	.WASHER	1	
38	67267-93J00	.COVER, WIRE	1	
39	67273-95600	.SPACER	1	
40	67275-95600	.END, CABLE	2	
41	67288-92E00	.WASHER, BRAKE ADJ KNOB	1	
42	67292-94300	E RING	3	
43	67294-95600	.SPACER	3	
44	67296-90J00	.SCREW	5	
45	67296-94300	.SCREW	2	
46	67296-95600	.SCREW	3	
47	67296-95610	.SCREW	2	
48	67297-95600	.WASHER	2	
49	68165-16B00-13L	.EMBLEM (SILVER)	1	
50	09100-08232	.BOLT (8X30)	1	
51	09126-05003	.SCREW (5X12)	2	
52	09140-06020	.NUT	3	
53	09160-06104	.WASHER (6.5X24X2)	3	
54	37859-90J00	.SPACER	1	

FIG.79

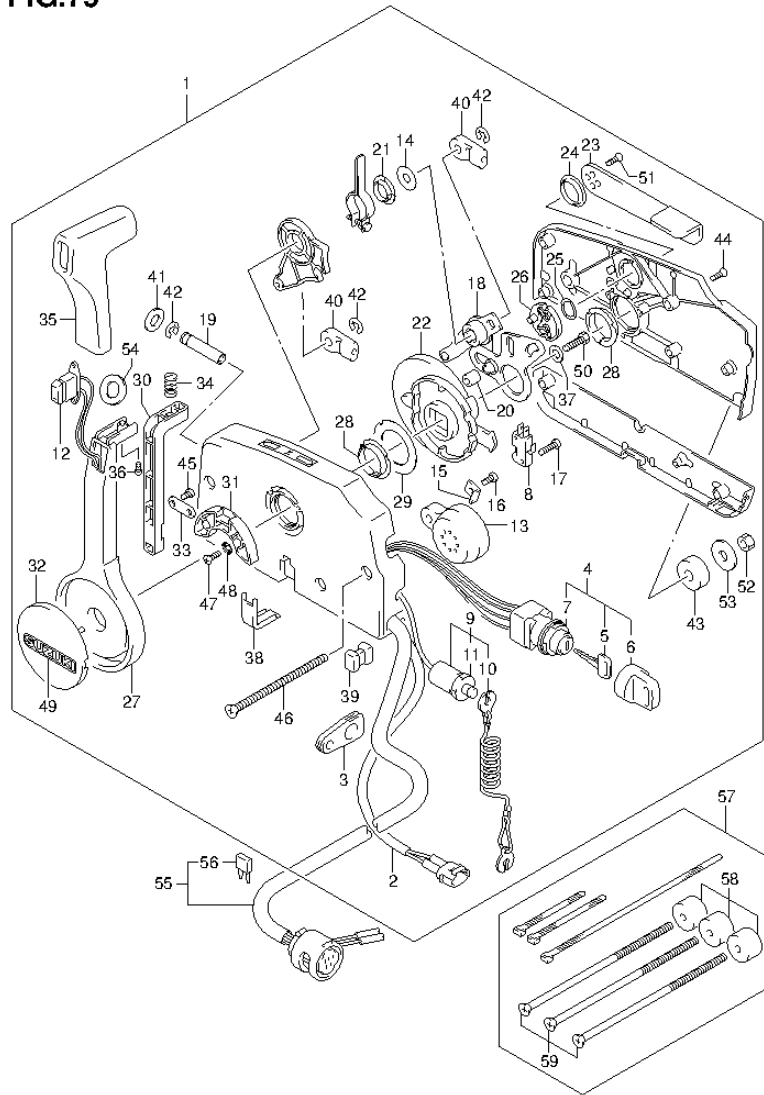


FIG.79 (1-1-2) OPT:REMOTE CONTROL (DF140AT E01)

REF NO.	PART NO.	DESCRIPTION	Q'TY	REMARKS
55-1	36620-93J02	WIRE ASSY, REMOTE CONTROL	1	L:5000
55-2	36620-93J52	WIRE ASSY, REMOTE CONTROL	1	L:3500
55-3	36620-93J62	WIRE ASSY, REMOTE CONTROL	1	L:6500
56	09481-10501	.FUSE (10A)	1	
57	67140-95600	ATTACHMENT, TWIN REMOCON KIT	1	
58	67294-95600	.SPACER	3	
59	67296-95620	.SCREW	3	

FIG.80

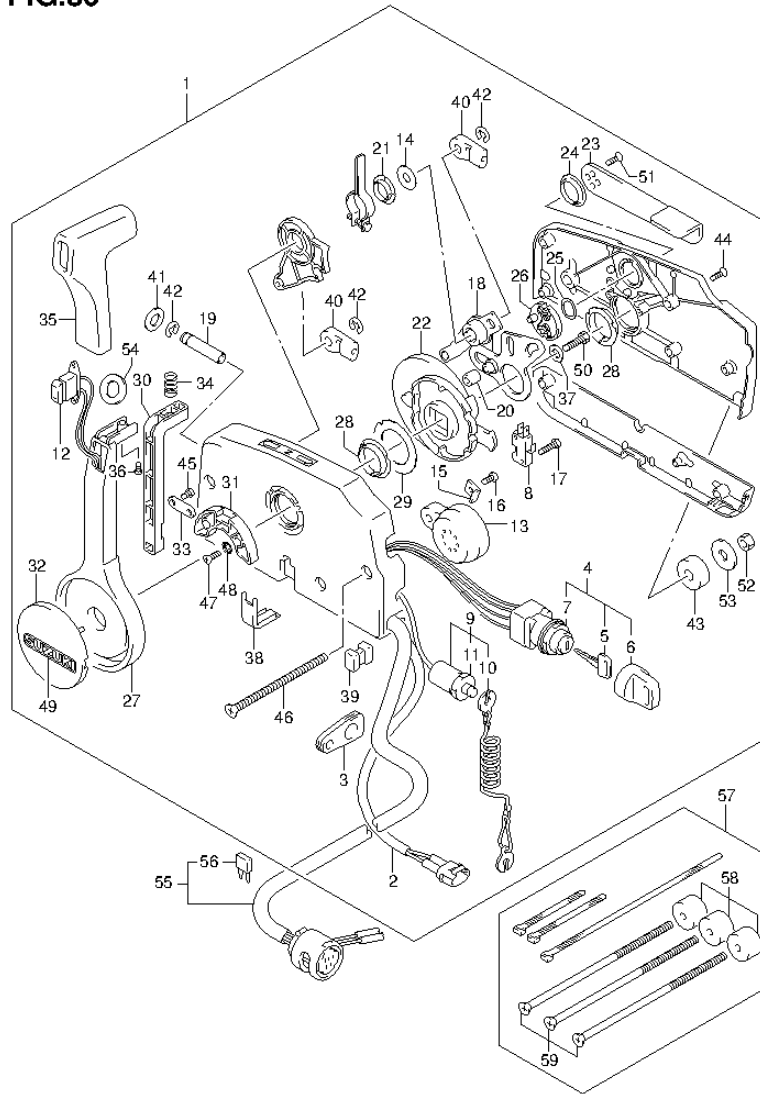


FIG.80 (1-1-3) OPT:REMOTE CONTROL (DF140AT E40)

REF NO.	PART NO.	DESCRIPTION	Q'TY	REMARKS
1	67200-93J06	REMOTE CONTROL ASSY	1	
2	36646-93J01	..WIRE ASSY, PTT SW ADAPTER	1	
3	36628-92E00	..GROMMET, WIRE HARNESS	1	
4	37110-93J10	..SWITCH ASSY, IGNITION	1	
5-1	37141-99E00	..KEY (931)	2	
5-2	37141-99E10	..KEY (932)	2	
5-3	37141-99E20	..KEY (933)	2	
5-4	37141-99E30	..KEY (934)	2	
5-5	37141-99E40	..KEY (935)	2	
5-6	37141-99E50	..KEY (936)	2	
5-7	37141-99E60	..KEY (937)	2	
5-8	37141-99E70	..KEY (938)	2	
5-9	37141-99E80	..KEY (939)	2	
5-10	37141-99E90	..KEY (940)	2	
5-11	37141-99EA0	..KEY (941)	2	
5-12	37141-99EB0	..KEY (942)	2	
6	37143-99E00	..CAP, KEY	2	
7	37149-93J00	..CAP CYLINDER BODY	1	
8	37721-93J90	..SWITCH, NEUTRAL	1	
9	37820-93J03	..SWITCH ASSY, EMERGENCY	1	
10	37823-92E01	..PLATE	1	
11	37826-92E00	..NUT	1	
12	37850-90J05	..SWITCH ASSY, PTT	1	
13	38500-93J90	..BUZZER	1	
14	67212-95600	..WASHER	1	
15	67213-92E00	..BRACKET, BUZZER	1	
16	09125-05042	..SCREW (5X10)	1	
17	67296-92E10	..SCREW, NEUTRAL SW	2	
18	67220-95630	..PLATE ASSY	1	
19	67223-99E10	..KNOB, BRAKE ADJ	1	
20	67229-95600	..ROLLER	1	
21	67232-95600	..BUSH	1	
22	67238-87D00	..GEAR, DRIVE	1	
23	67241-99E10	..LEVER, FREE THROTTLE	1	

FIG.80

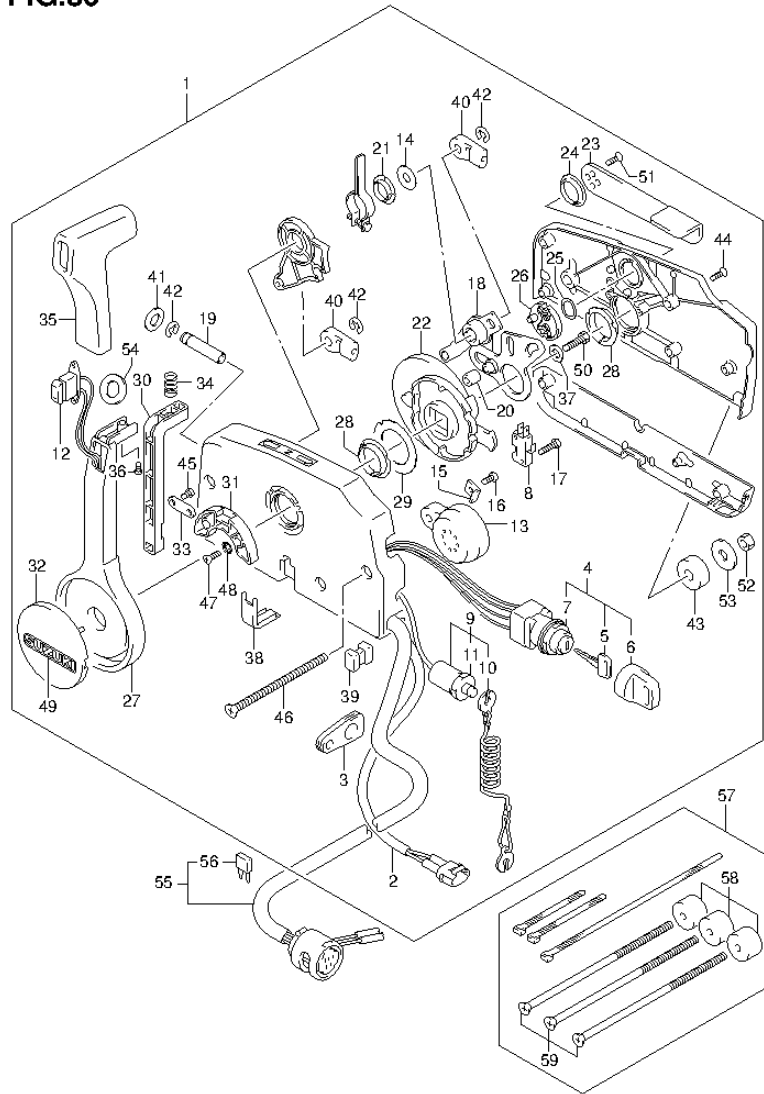


FIG.80 (1-1-4) OPT:REMOTE CONTROL (DF140AT E40)

REF NO.	PART NO.	DESCRIPTION	Q'TY	REMARKS
24	67243-95600	.BUSH	1	
25	67244-95600	.WASHER, WAVE	1	
26	67245-95600	.DRUM, FREE THROTTLE	1	
27	67251-99E10	.LEVER, HANDLE	1	
28	67252-95600	.BUSH	2	
29	67253-95600	.WASHER	1	
30	67255-99E00	.ARM, LOCK	1	
31	67256-95600	.HOLDER, NEUT LOCK	1	
32	67257-99E00	.CAP, LEVER	1	
33	67258-99E00	.BRACKET, LOCK ARM	1	
34	67259-87D00	.SPRING, NEUTRAL ARM	1	
35	67261-99E00	.GRIP	1	
36	67296-94310	.SCREW	1	
37	67264-95600	.WASHER	1	
38	67267-93J00	.COVER, WIRE	1	
39	67273-95600	.SPACER	1	
40	67275-95600	.END, CABLE	2	
41	67288-92E00	.WASHER, BRAKE ADJ KNOB	1	
42	67292-94300	E RING	3	
43	67294-95600	.SPACER	3	
44	67296-90J00	.SCREW	5	
45	67296-94300	.SCREW	2	
46	67296-95600	.SCREW	3	
47	67296-95610	.SCREW	2	
48	67297-95600	.WASHER	2	
49	68165-16B00-13L	.EMBLEM (SILVER)	1	
50	09100-08232	.BOLT (8X30)	1	
51	09126-05003	.SCREW (5X12)	2	
52	09140-06020	.NUT	3	
53	09160-06104	.WASHER (6.5X24X2)	3	
54	37859-90J00	.SPACER	1	

FIG.80

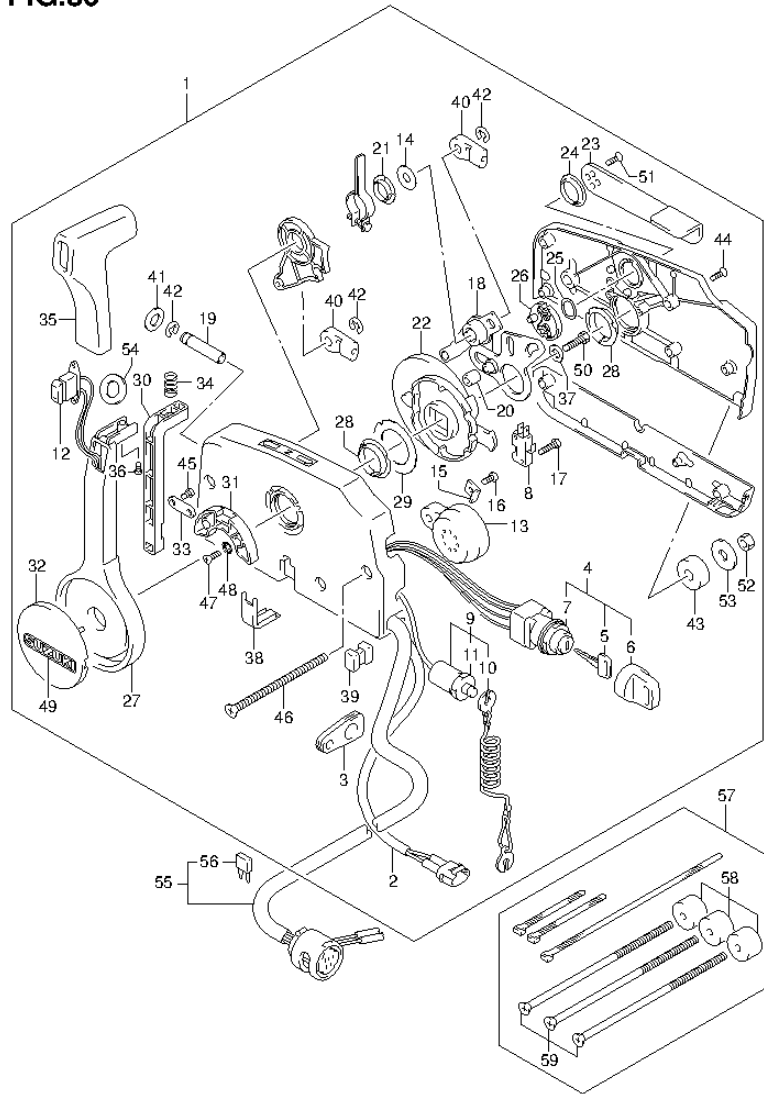


FIG.80 (1-1-5) OPT:REMOTE CONTROL (DF140AT E40)

REF NO.	PART NO.	DESCRIPTION	Q'TY	REMARKS
55-1	36620-93J02	WIRE ASSY, REMOTE CONTROL	1	L:5000
55-2	36620-93J52	WIRE ASSY, REMOTE CONTROL	1	L:3500
55-3	36620-93J62	WIRE ASSY, REMOTE CONTROL	1	L:6500
56	09481-10501	.FUSE (10A)	1	
57	67140-95600	ATTACHMENT, TWIN REMOCON KIT	1	
58	67294-95600	.SPACER	3	
59	67296-95620	.SCREW	3	

FIG.81

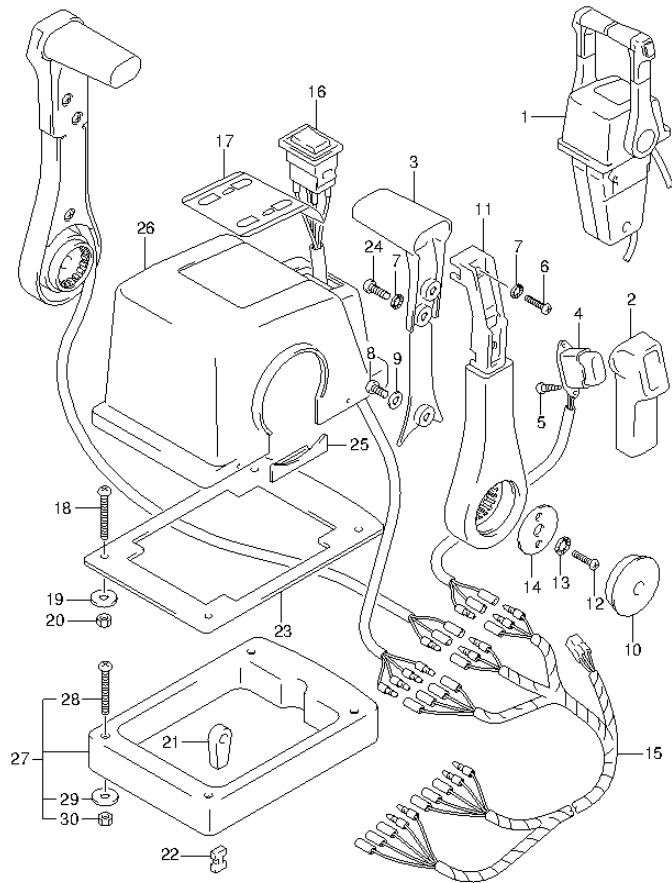


FIG.81 (1-I-6) OPT:REMOTE CONTROL ASSY DUAL (1)

REF NO.	PART NO.	DESCRIPTION	Q'TY	REMARKS
1	67200-93J23	REMOTE CONTROL ASSY	1	
2	67261-93J00	.GRIP, NO.1	2	
3	67263-93J00	.GRIP, NO.2	2	
4	37850-93J10	.SWITCH ASSY, PTT	2	
5	67295-92E10	.SCREW	4	
6	67296-88D10	.SCREW	2	
7	67288-92E20	.WASHER	6	
8	67296-92E70	.SCREW	4	
9	67288-92E40	.WASHER	2	
10	67257-92E00	.CAP, LEVER	2	
11	67251-93J00	.LEVER, HANDLE	2	
12	67296-92E60	.SCREW	4	
13	67288-92E30	.WASHER	4	
14	67253-92E00	.WASHER	2	
15	36890-93J10	.WIRE HARNESS	1	
16	37220-92E00	.SWITCH ASSY, MODE CHANGING	1	
17	67282-93J00	.DECAL	1	
18	67296-92E30	.SCREW	4	
19	09160-05024	.WASHER (5.5X16X1.5)	4	
20	67287-92E00	.NUT	4	
21	67275-95600	.END, CABLE	4	
22	67273-95600	.SPACER	2	
23	67273-92E10	.GROMMET	1	
24	67295-92E00	.SCREW	4	
25	67271-92E00	.COVER	2	
26	67211-93J10	.COVER	1	
27	67500-93J10	KIT, REMOCON SPACER TWIN	1	
28	09125-05135	.SCREW (5X65)	4	
29	09160-05029	.WASHER (5.5X12X0.8)	4	
30	09140-05005	.NUT	4	

FIG.82

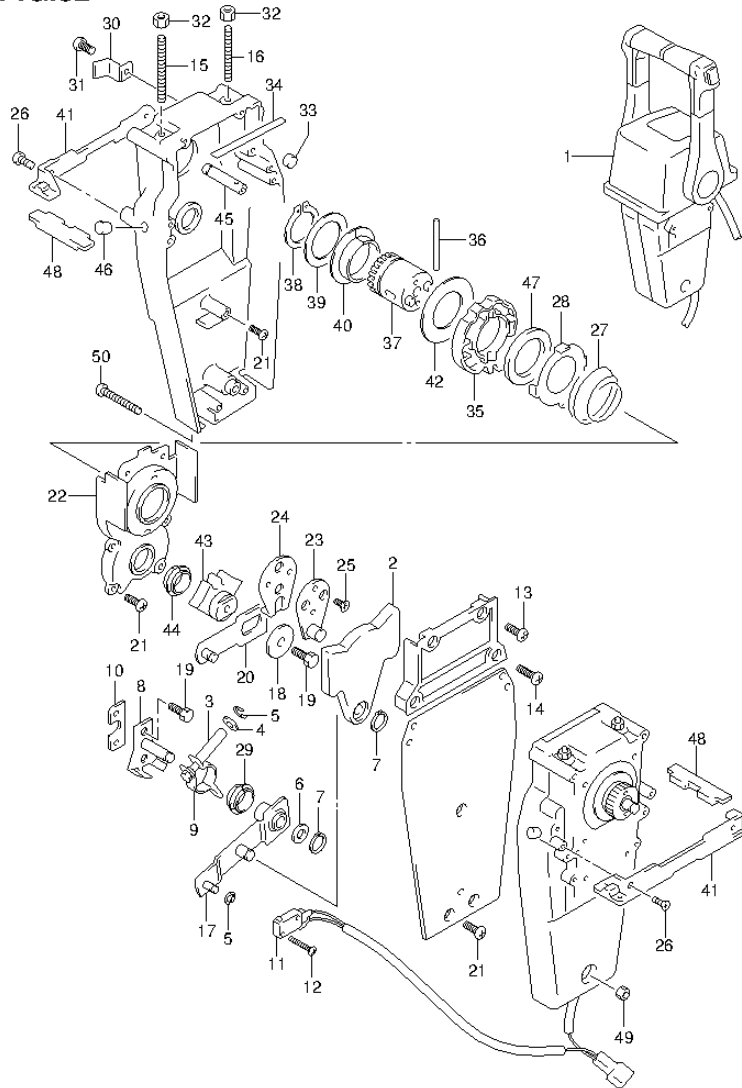


FIG.82 (1-I-7) OPT:REMOTE CONTROL ASSY DUAL (2)

REF NO.	PART NO.	DESCRIPTION	Q'TY	REMARKS
1	67200-93J23	REMOTE CONTROL ASSY, TWIN	1	
2	67222-92E00	.DUAL PLATE	2	
3	67223-92E00	.BRAKE ADJUST	2	
4	67288-92E00	.WASHER	2	
5	67292-94300	.E RING	8	
6	67288-92E10	.WASHER	2	
7	67291-92E00	.SNAP RING	4	
8	67221-92E00	.SHIFT ASSY	2	
9	67224-92E00	.BRAKE ARM ASSY	2	
10	67294-92E00	.SPACER	2	
11	37721-92E10	.SWITCH ASSY, N/R	1	
12	67296-92E10	.SCREW	4	
13	67296-88D10	.SCREW	4	
14	67296-92E20	.SCREW	4	
15	67226-92E00	.BOLT, STOPPER FRONT	2	
16	67226-92E10	.BOLT, STOPPER RR	2	
17	67240-92E00	.ARM ASSY, THROTTLE	2	
18	67228-92E00	.WASHER	2	
19	67286-92E00	.BOLT	6	
20	67230-92E00	.ARM ASSY, SHIFT	2	
21	09125-05042	.SCREW (5X10)	16	
22	67234-92E00	.CASE, GEAR	2	
23	67245-92E00	.LEVER ASSY, THROTTLE	2	
24	67227-92E00	.STOPPER	2	
25	09126-06006	.SCREW (6X20)	4	
26	67296-95610	.SCREW	4	
27	67233-92E00	.SPRING	2	
28	67235-92E00	.PLATE, SHIFT LOCK	2	
29	67232-95620	.BUSH	2	
30	67269-92E00	.BRACKET	2	
31	67296-88D10	.SCREW	2	
32	09140-06020	.NUT	4	
33	67236-92E00	.ROLLER	2	
34	67237-92E01	.SPRING	12	

FIG.82

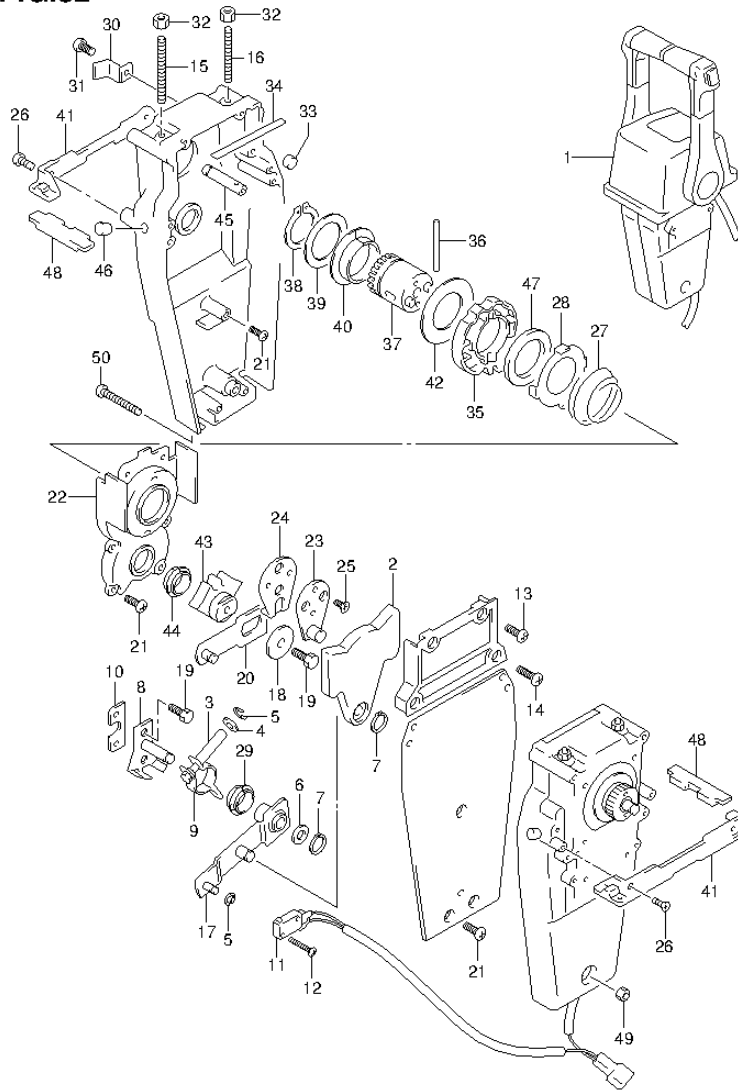
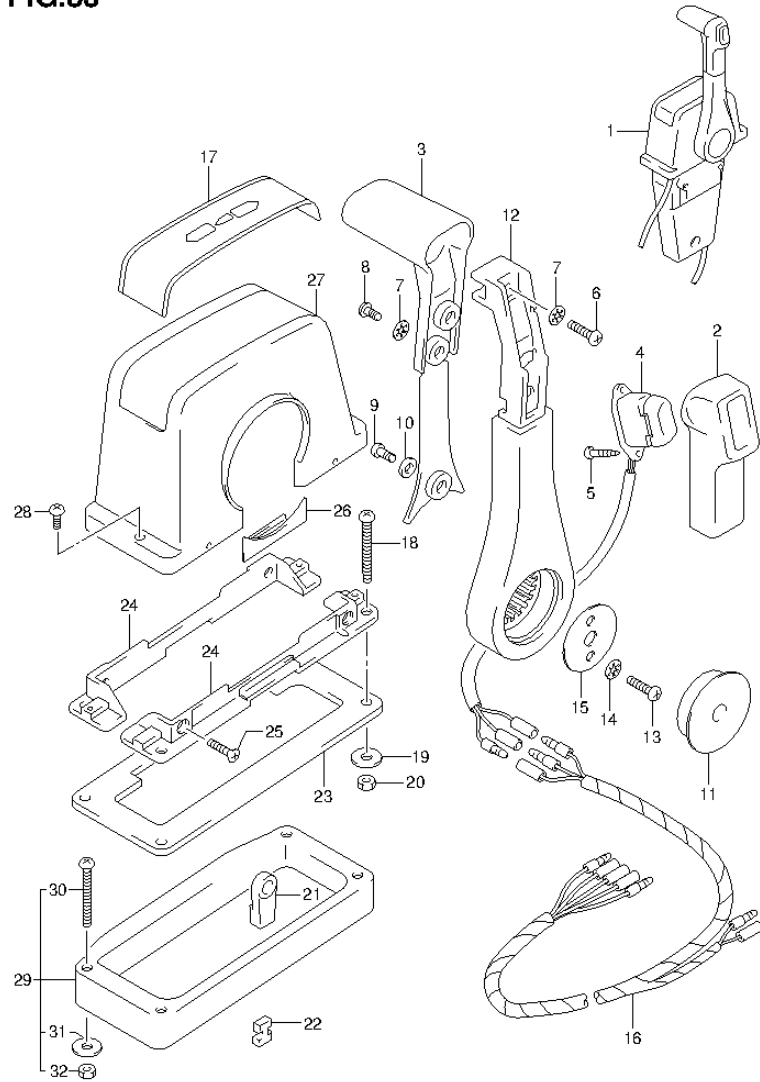


FIG.82 (1-I-8) OPT:REMOTE CONTROL ASSY DUAL (2)

REF NO.	PART NO.	DESCRIPTION	Q'TY	REMARKS
35	67238-92E00	.GEAR, DRIVE	2	
36	67239-92E00	.PIN	2	
37	67246-92E00	.SHAFT, DRIVE	2	
38	67291-92E10	.SNAP RING	2	
39	67253-92E10	.WASHER	2	
40	67252-92E10	.BUSH	2	
41	67274-92E00	.FLANGE	2	
42	67253-95600	.WASHER	2	
43	67231-92E00	.GEAR, SHIFT	2	
44	67232-95600	.BUSH	2	
45	67241-92E10	.ROD, FREE ACC	2	
46	67243-92E00	.GROMMET	2	
47	67239-92E10	.PLATE, SHIFT PIN	2	
48	67272-92E10	.SEAL, FLANGE	2	
49	67287-92E10	.NUT	1	
50	67296-92E80	.SCREW	3	

FIG.83



DF140A_E01_013_083
OPT:REMOTE CONTROL ASSY SINGLE (1)

FIG.83 (1-I-9) OPT:REMOTE CONTROL ASSY SINGLE (1)

REF NO.	PART NO.	DESCRIPTION	Q'TY	REMARKS
1	67200-93J13	REMOTE CONTROL ASSY	1	
2	67261-93J00	.GRIP, NO.1	1	
3	67263-93J00	.GRIP, NO.2	1	
4	37850-93J10	.SWITCH ASSY, PTT	1	
5	67295-92E10	.SCREW	2	
6	67296-88D10	.SCREW	1	
7	67288-92E20	.WASHER	3	
8	67295-92E00	.SCREW	2	
9	67296-92E70	.SCREW	1	
10	67288-92E40	.WASHER	1	
11	67257-92E00	.CAP, LEVER	1	
12	67251-93J00	.LEVER, HANDLE	1	
13	67296-92E60	.SCREW	2	
14	67288-92E30	.WASHER	2	
15	67253-92E00	.WASHER	1	
16	36890-93J00	.WIRE HARNESS	1	
17	67281-93J00	.DECAL	1	
18	67296-92E30	.SCREW	4	
19	09160-05024	.WASHER (5.5X16X1.5)	4	
20	67287-92E00	.NUT	4	
21	67275-95600	.END, CABLE	2	
22	67273-95600	.SPACER	1	
23	67273-92E00	.GROMMET	1	
24	67274-92E00	.FLANGE	2	
25	67296-95610	.SCREW	4	
26	67271-92E00	.COVER	1	
27	67211-93J00	.COVER	1	
28	67296-92E70	.SCREW	2	
29	67500-93J00	KIT, REMOCON SPACER SINGLE	1	
30	09125-05135	.SCREW (5X65)	4	
31	09160-05029	.WASHER (5.5X12X0.8)	4	
32	09140-05005	.NUT	4	

DF140A_E01_013

FIG.84

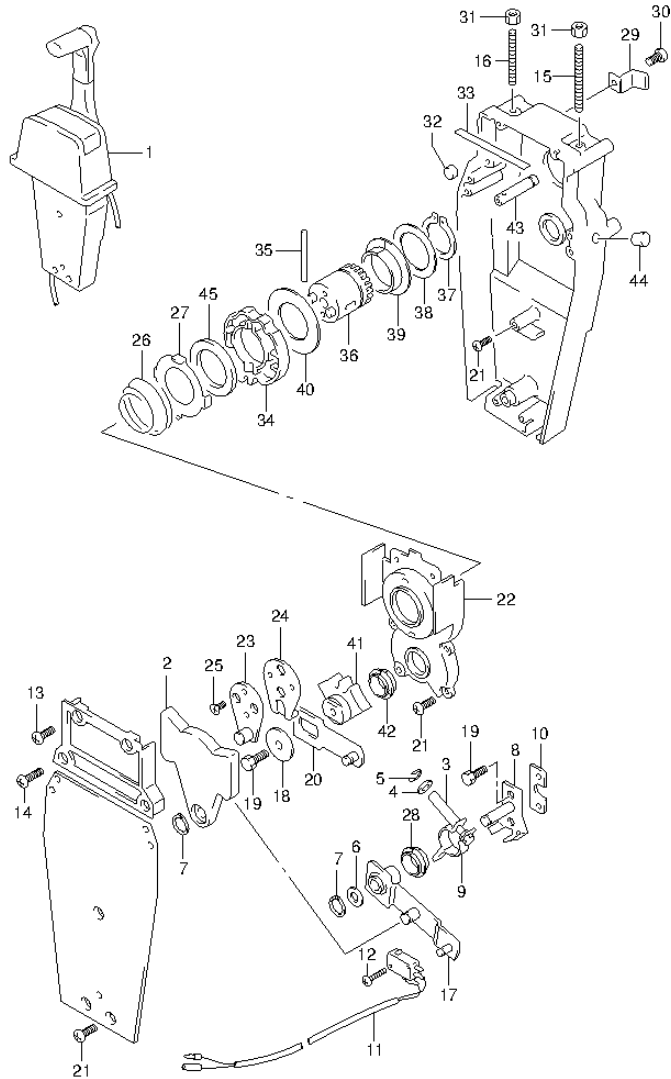


FIG.84 (1-I-10) OPT:REMOTE CONTROL ASSY SINGLE (2)

REF NO.	PART NO.	DESCRIPTION	Q'TY	REMARKS
1	67200-93J13	REMOTE CONTROL ASSY	1	
2	67222-92E00	.DUAL PLATE	1	
3	67223-92E00	.BRAKE ADJUST	1	
4	67288-92E00	.WASHER	1	
5	67292-94300	.E RING	4	
6	67288-92E10	.WASHER	1	
7	67291-92E00	.SNAP RING	2	
8	67221-92E00	.SHIFT ASSY	1	
9	67224-92E00	.BRAKE ARM ASSY	1	
10	67294-92E00	.SPACER	1	
11	37721-95500	.SWITCH ASSY, NEUTRAL	1	
12	67296-92E10	.SCREW (3X15)	2	
13	67296-88D10	.SCREW (5X16)	2	
14	67296-92E20	.SCREW (5X25)	2	
15	67226-92E00	.BOLT, STOPPER FRONT	1	
16	67226-92E10	.BOLT, STOPPER REAR	1	
17	67240-92E00	.ARM ASSY, THROTTLE	1	
18	67228-92E00	.WASHER	1	
19	67286-92E00	.BOLT (6X18)	3	
20	67230-92E00	.ARM ASSY, SHIFT	1	
21	09125-05042	.SCREW (5X10)	9	
22	67234-92E00	.CASE, GEAR	1	
23	67245-92E00	.LEVER ASSY, THROTTLE	1	
24	67227-92E00	.STOPPER	1	
25	09126-06006	.SCREW (6X20)	2	
26	67233-92E00	.SPRING	1	
27	67235-92E00	.PLATE, SHIFT LOCK	1	
28	67232-95620	.BUSH	1	
29	67269-92E00	.BRACKET	1	
30	67296-88D10	.SCREW	1	
31	09140-06020	.NUT	2	
32	67236-92E00	.ROLLER	1	
33	67237-92E01	.SPRING	6	
34	67238-92E00	.GEAR, DRIVE	1	

FIG.84

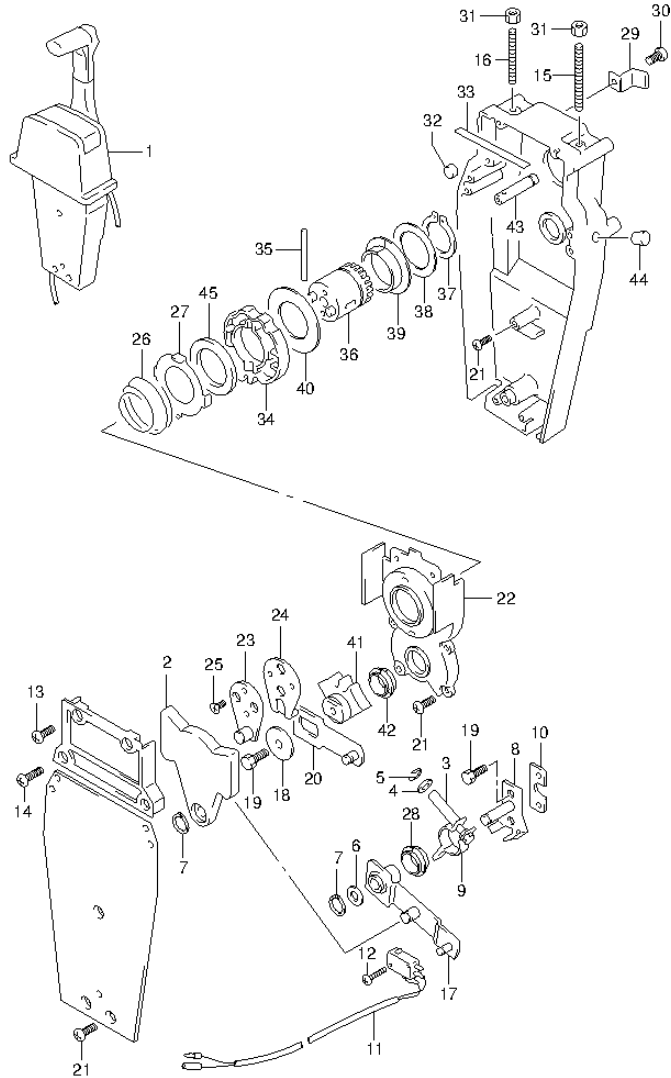


FIG.84 (1-I-11) OPT:REMOTE CONTROL ASSY SINGLE (2)

REF NO.	PART NO.	DESCRIPTION	Q'TY	REMARKS
35	67239-92E00	.PIN	1	
36	67246-92E00	.SHIFT, DRIVE	1	
37	67291-92E10	.SNAP RING	1	
38	67253-92E10	.WASHER	1	
39	67252-92E10	.BUSH	1	
40	67253-95600	.WASHER	1	
41	67231-92E00	.GEAR, SHIFT	1	
42	67232-95600	.BUSH	1	
43	67241-92E10	.ROD, FREE ACC	1	
44	67243-92E00	.CAP, HOLE	1	
45	67239-92E10	.PLATE, SHIFT PIN	1	

FIG.85

FIG.85 (1-I-12) OPT:GASKET SET (DF140AT E01)

REF NO.	PART NO.	DESCRIPTION	Q'TY	REMARKS
1	11400-92862	GASKET SET	1	
2	11141-92J01	.GASKET, CYL HEAD	1	
3	11189-90J00	.GASKET, CYL HEAD COVER	1	
4	11265-87E10	.GASKET, PROTECTION ANODE	2	
5	11489-90J00	.GASKET, OIL PAN	1	
6	13119-90J00	.GASKET, INTAKE MANIFOLD	1	
7	13421-90J01	.GASKET, THROTTLE BODY	1	
8	14151-90J00	.GASKET, RECTIFIER	1	
9	17472-87E10	.GASKET, PUMP CASE PANEL	1	
10	51211-90J22	.GASKET, ENGINE HOLDER	1	
11-1	99011-90J30-059	MANUAL, OWNER'S	1	
11-2	99011-90J30-054	MANUAL, OWNER'S	1	

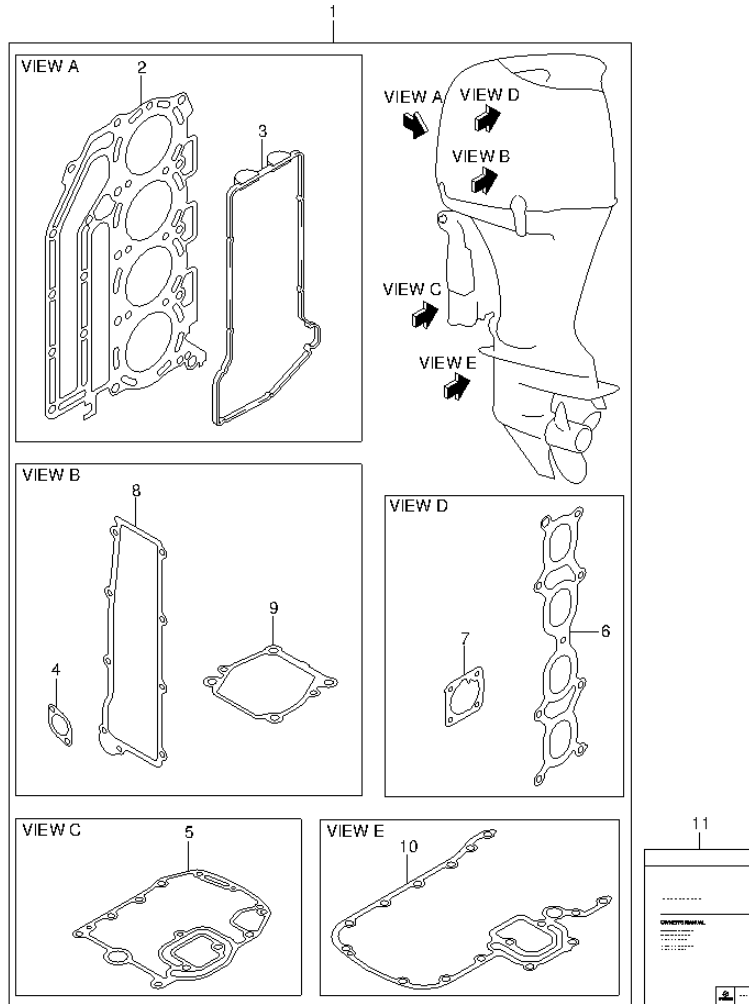


FIG.86

FIG.86 (1-I-13) OPT:GASKET SET (DF140AT E40)

REF NO.	PART NO.	DESCRIPTION	Q'TY	REMARKS
1	11400-92862	GASKET SET	1	
2	11141-92J01	.GASKET, CYL HEAD	1	
3	11189-90J00	.GASKET, CYL HEAD COVER	1	
4	11265-87E10	.GASKET, PROTECTION ANODE	2	
5	11489-90J00	.GASKET, OIL PAN	1	
6	13119-90J00	.GASKET, INTAKE MANIFOLD	1	
7	13421-90J01	.GASKET, THROTTLE BODY	1	
8	14151-90J00	.GASKET, RECTIFIER	1	
9	17472-87E10	.GASKET, PUMP CASE PANEL	1	
10	51211-90J22	.GASKET, ENGINE HOLDER	1	
11	99011-90J30-059	MANUAL, OWNER'S	1	

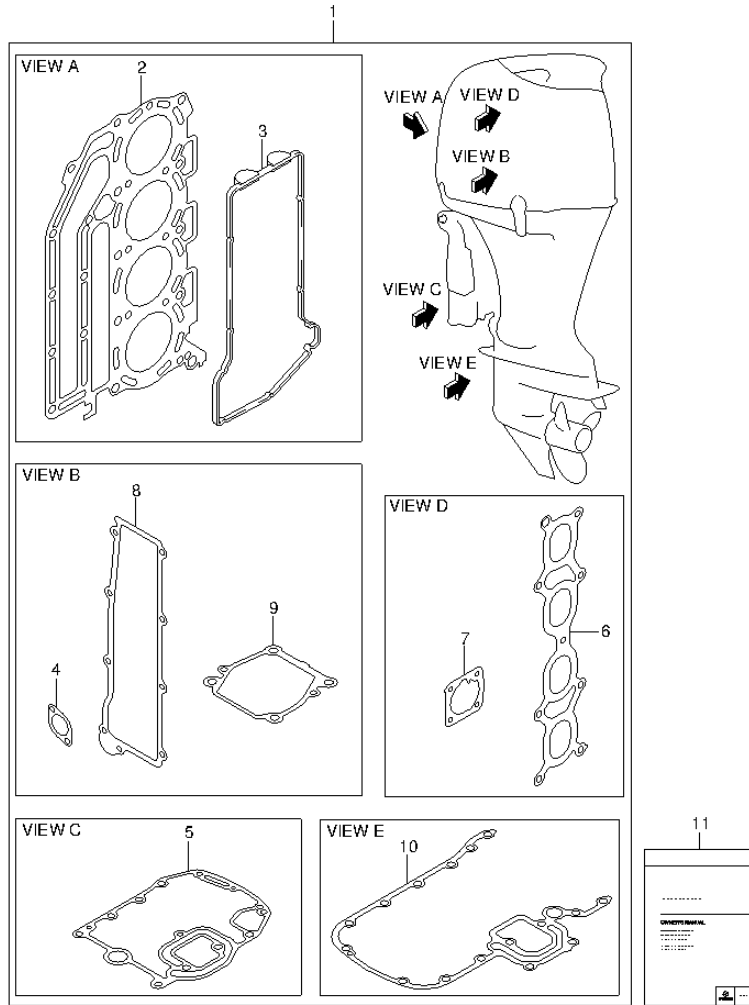


FIG.87

FIG.87 (1-I-14) OPT:GASKET SET (DF140AZ E01)

REF NO.	PART NO.	DESCRIPTION	Q'TY	REMARKS
1	11400-92862	GASKET SET	1	
2	11141-92J01	.GASKET, CYL HEAD	1	
3	11189-90J00	.GASKET, CYL HEAD COVER	1	
4	11265-87E10	.GASKET, PROTECTION ANODE	2	
5	11489-90J00	.GASKET, OIL PAN	1	
6	13119-90J00	.GASKET, INTAKE MANIFOLD	1	
7	13421-90J01	.GASKET, THROTTLE BODY	1	
8	14151-90J00	.GASKET, RECTIFIER	1	
9	17472-87E10	.GASKET, PUMP CASE PANEL	1	
10	51211-90J22	.GASKET, ENGINE HOLDER	1	
11-1	99011-90J30-059	MANUAL, OWNER'S	1	
11-2	99011-90J30-054	MANUAL, OWNER'S	1	

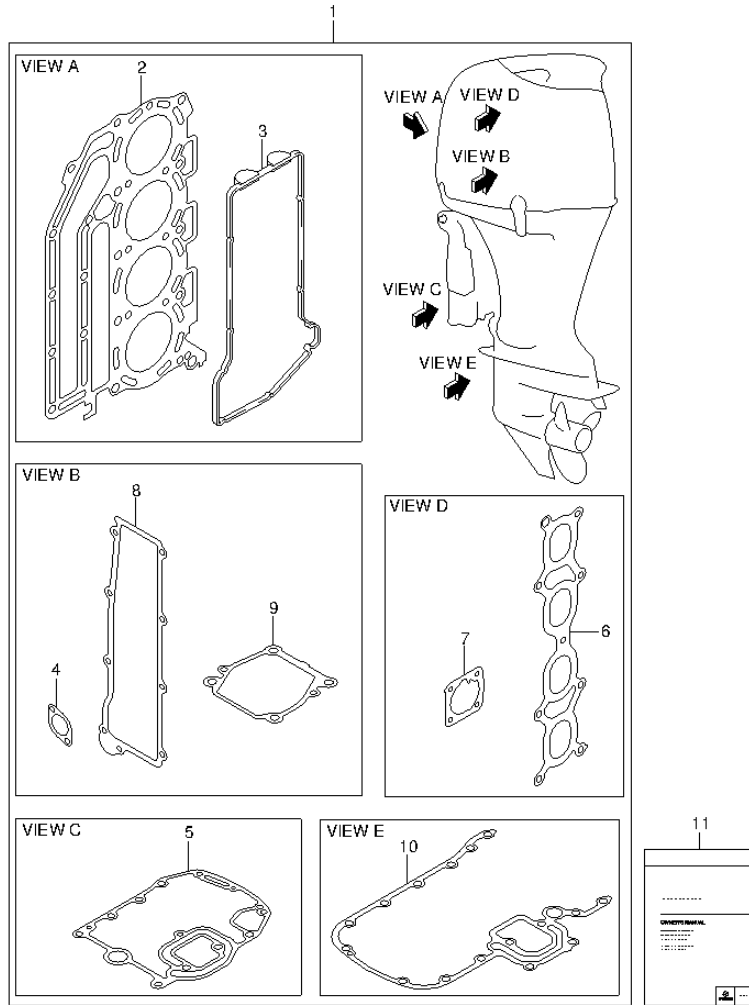


FIG.88

FIG.88 (1-I-15) OPT:GASKET SET (DF140AZ E40)

REF NO.	PART NO.	DESCRIPTION	Q'TY	REMARKS
1	11400-92862	GASKET SET	1	
2	11141-92J01	.GASKET, CYL HEAD	1	
3	11189-90J00	.GASKET, CYL HEAD COVER	1	
4	11265-87E10	.GASKET, PROTECTION ANODE	2	
5	11489-90J00	.GASKET, OIL PAN	1	
6	13119-90J00	.GASKET, INTAKE MANIFOLD	1	
7	13421-90J01	.GASKET, THROTTLE BODY	1	
8	14151-90J00	.GASKET, RECTIFIER	1	
9	17472-87E10	.GASKET, PUMP CASE PANEL	1	
10	51211-90J22	.GASKET, ENGINE HOLDER	1	
11	99011-90J30-059	MANUAL, OWNER'S	1	

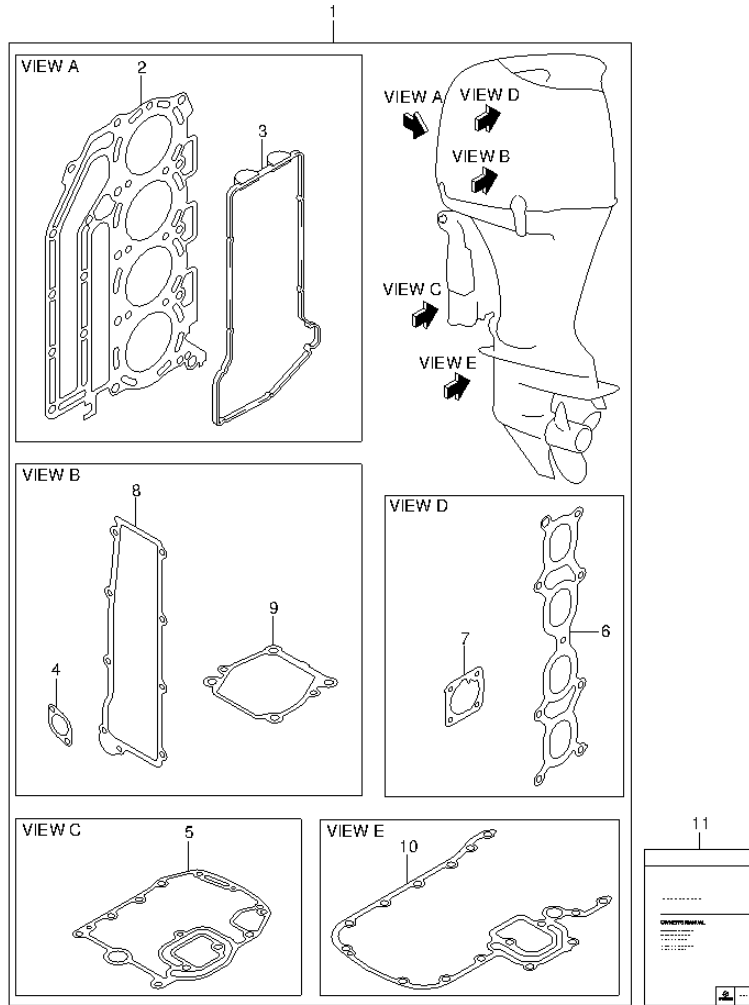


FIG.89

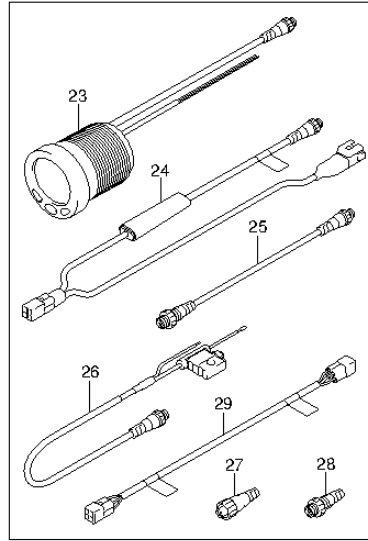
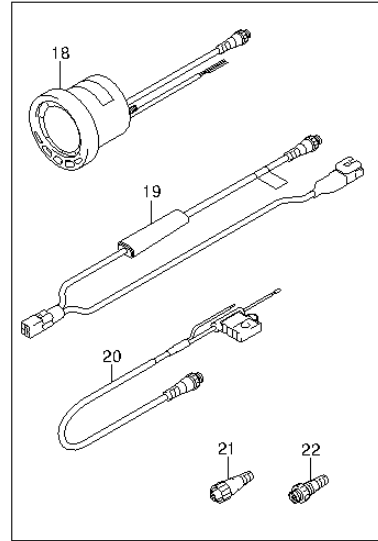
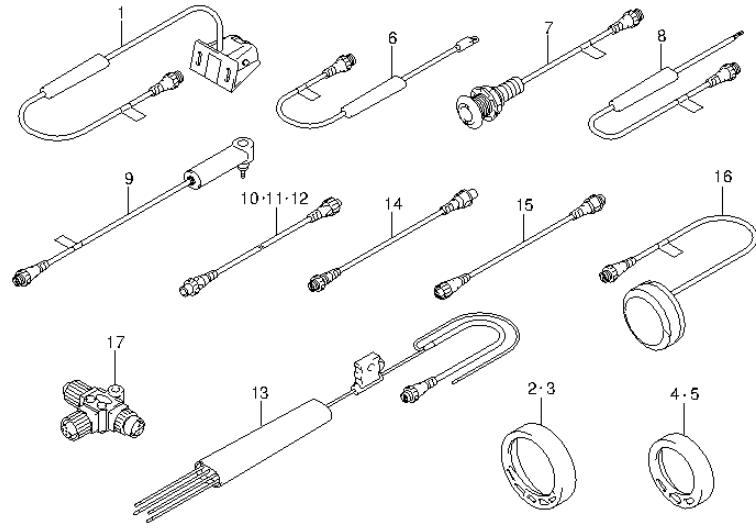


FIG.89 (1-J-2) OPT:LOWRANCE GAUGE

REF NO.	PART NO.	DESCRIPTION	Q'TY	REMARKS
1	34190-88L00	SENSOR ASSY,PAD WHEEL	1	
2	34193-88L00	BEZEL, 4 IN CHR	1	
3	34193-88L20	BEZEL, 4 IN WHITE	1	
4	34193-88L40	BEZEL, 2 IN CHR	1	
5	34193-88L60	BEZEL, 2 IN WHITE	1	
6	34455-88L00	SENSOR ASSY, WATER TEMP	1	
7	34455-88L10	SENSOR ASSY, WATER TEMP	1	
8	34810-88L00	SENSOR ASSY, FLUID LEVEL	1	
9	34960-88L00	SENSOR ASSY, WATER PRESSURE	1	
10	36662-88L10	WIRE, 2 EXTENSION	1	
11	36662-88L20	WIRE, 6 EXTENSION	1	
12	36662-88L30	WIRE, 15 EXTENSION	1	
13	36663-88L10	HARNESS ASSY, NETWORK POWER	1	
14	36666-88L00	WIRE, ADAPTER TO N NETWORK	1	
15	36666-88L10	WIRE, ADAPTER TO L NETWORK	1	
16	39950-88L00	MODULE ASSY, GPS RECEIVER	1	
17	36664-88L00	CONNECTOR, BRANCH	1	
18	34200-88L02	GAUGE ASSY, 4 IN MULTI	1	
19	34922-88L01	UNIT, INTERFACE	1	
20	36663-88L00	HARNESS ASSY, NETWORK POWER	1	
21	36665-88L00	UNIT, RESISTOR FEMALE	1	
22	36665-88L10	UNIT, RESISTOR MALE	1	
23	34800-88L01	GAUGE ASSY, 2 IN MULTI	1	
24	34922-88L01	UNIT, INTERFACE	1	
25	36662-88L00	WIRE, 25 EXTENSION	1	
26	36663-88L00	HARNESS ASSY, NETWORK POWER	1	
27	36665-88L00	UNIT, RESISTOR FEMALE	1	
28	36665-88L10	UNIT, RESISTOR MALE	1	
29	36668-88L00	WIRE, ADAPTER TO DIAGNS	1	

PART NO.	FIG.NO.-REF.NO.	PART NO.	FIG.NO.-REF.NO.	PART NO.	FIG.NO.-REF.NO.
10000			4-1		12-3
			5-1	12892-69G10-218	9-4-1
			6-1		10-4-1
		11512-99E00	3-2		11-4-1
			4-2		12-4-1
11100-90J06	1-1		5-2	12892-69G10-220	9-4-2
11112-90J00	2-12		6-2		10-4-2
11115-85FA1-001	1-4	12100-92840-025	7-8-2		11-4-2
11117-89J00	1-10	12100-92841-0A0	7-8-1		12-4-2
11117-90J10	2-4	12100-92J01-050	7-14	12892-69G10-223	9-4-3
11118-95J00	33-15	12111-92J00	7-1		10-4-3
11141-92J01	1-11	12140-92J01	7-2		11-4-3
	85-2	12140-92J01-050	7-15		12-4-3
	86-2	12151-86FA0	7-3	12892-69G10-225	9-4-4
	87-2	12160-92J10	7-5		10-4-4
	88-2	12163-35F00	7-6		11-4-4
11170-90J10	1-14	12220-92J00	7-9		12-4-4
11173-90J00	1-15	12300-85830	7-12-1	12892-69G10-228	9-4-5
11179-90J00	1-16	12300-85830-012	7-12-2		10-4-5
11189-90J00	1-17	12300-85854-0AA	7-11-6		11-4-5
	85-3	12300-85854-0BA	7-11-7		12-4-5
	86-3	12300-85854-0CA	7-11-8	12892-69G10-230	9-4-6
	87-3	12300-85854-0DA	7-11-9		10-4-6
	88-3	12300-85854-0EA	7-11-10		11-4-6
11196-90J00	28-1	12340-85FB3-0A0	7-11-1		12-4-6
11216-77E00	2-5	12340-85FB3-0B0	7-11-2	12892-69G10-233	9-4-7
11241-73003	31-1	12340-85FB3-0C0	7-11-3		10-4-7
11261-87E10	44-1	12340-85FB3-0D0	7-11-4		11-4-7
11261-93J00	1-5	12340-85FB3-0E0	7-11-5		12-4-7
11265-87E10	44-2	12632-92J11	30-1	12892-69G10-235	9-4-8
	85-4	12711-92J00	9-1		10-4-8
	86-4		10-1		11-4-8
	87-4		11-1		12-4-8
	88-4		12-1	12892-69G10-238	9-4-9
11291-90J10	2-1	12720-92J10	9-2		10-4-9
11300-92J30	2-3		10-2		11-4-9
11330-90J00	2-7		11-2		12-4-9
11332-90J00	2-8		12-2	12892-69G10-240	9-4-10
11382-99E00	1-18	12732-90J00	8-1		10-4-10
11400-92862	85-1	12733-90J00	8-4		11-4-10
	86-1	12741-90J01	8-2		12-4-10
	87-1	12761-90J00	8-9	12892-69G10-243	9-4-11
	88-1	12771-90J00	8-10		10-4-11
11489-90J00	32-1	12810-90J00	8-11		11-4-11
	85-5	12812-90J00	8-13		12-4-11
	86-5	12813-73G00	8-12	12892-69G10-245	9-4-12
	87-5	12831-90J02	8-14		10-4-12
	88-5	12891-69G00	9-3		11-4-12
11501-90J04-0EP	32-2		10-3		12-4-12
11510-90J00	3-1		11-3	12892-69G10-248	9-4-13

PART NO.	FIG.NO.-REF.NO.	PART NO.	FIG.NO.-REF.NO.	PART NO.	FIG.NO.-REF.NO.
			10-4-13		12-4-25
			11-4-13	12892-69G10-280	9-4-26
			12-4-13		10-4-26
12892-69G10-250	9-4-14		9-4-14		11-4-26
			10-4-14		12-4-26
			11-4-14	12892-69G10-283	9-4-27
			12-4-14		10-4-27
12892-69G10-253	9-4-15		9-4-15		11-4-27
			10-4-15		12-4-27
			11-4-15	12892-69G10-285	9-4-28
			12-4-15		10-4-28
12892-69G10-255	9-4-16		9-4-16		11-4-28
			10-4-16		12-4-28
			11-4-16	12892-69G10-288	9-4-29
			12-4-16		10-4-29
12892-69G10-258	9-4-17		9-4-17		11-4-29
			10-4-17		12-4-29
			11-4-17	12892-69G10-290	9-4-30
			12-4-17		10-4-30
12892-69G10-260	9-4-18		9-4-18		11-4-30
			10-4-18		12-4-30
			11-4-18	12892-69G10-293	9-4-31
			12-4-18		10-4-31
12892-69G10-263	9-4-19		9-4-19		11-4-31
			10-4-19		12-4-31
			11-4-19	12892-69G10-295	9-4-32
			12-4-19		10-4-32
12892-69G10-265	9-4-20		9-4-20		11-4-32
			10-4-20		12-4-32
			11-4-20	12892-69G10-298	9-4-33
			12-4-20		10-4-33
12892-69G10-268	9-4-21		9-4-21		11-4-33
			10-4-21		12-4-33
			11-4-21	12892-69G10-300	9-4-34
			12-4-21		10-4-34
12892-69G10-270	9-4-22		9-4-22		11-4-34
			10-4-22		12-4-34
			11-4-22	12911-86FA1	9-5
			12-4-22		10-5
12892-69G10-273	9-4-23		9-4-23		11-5
			10-4-23		12-5
			11-4-23	12915-86F50	10-6
			12-4-23		12-6
12892-69G10-275	9-4-24		9-4-24	12915-86FA1	9-6
			10-4-24		11-6
			11-4-24	12921-90J00	9-7
			12-4-24		10-7
12892-69G10-278	9-4-25		9-4-25		11-7
			10-4-25		12-7
			11-4-25	12931-90J00	9-8
					10-8
					11-8
					12-8
				12932-85FA0	9-9
					10-9
					11-9
					12-9
				12933-86510	9-10
					10-10
					11-10
					12-10
				13110-90J10	13-1
				13119-90J00	13-2
					85-6
					86-6
					87-6
					88-6
				13300-92J00	29-1
				13370-88L00	15-2
					17-2
				13370-88L10	16-2
					18-2
				13421-90J01	29-2
					85-7
					86-7
					87-7
					88-7
				13510-90J00	29-4
				13614-89J00	16-15
					18-15
				13614-93J00	16-16
					18-16
				13650-52G00	46-1
				13655-87J00	46-2
				13710-99E00	14-1
				13810-90J01	14-2
				13813-92J00	14-3
				13840-90J00	14-4
				13851-90J00	14-5
				14151-90J00	44-5
					85-8
					86-8
					87-8
					88-8
				15100-90J11	23-1
				15190-92J00	23-2
				15192-92J00	23-14
				15200-92J00	15-3
					17-3
				15200-92J10	16-3

PART NO.	FIG.NO.-REF.NO.	PART NO.	FIG.NO.-REF.NO.	PART NO.	FIG.NO.-REF.NO.
	18-3		18-8		20-5
15410-92J00	23-4	15642-88L10	15-20		21-5
15411-92J00	23-6		16-20		22-5
15412-92J00	23-5		17-20	15760-88L00	15-12
15413-92J00	23-7		18-20		16-12
15415-92J00	23-8	15643-88L00	15-17		17-12
15421-92J00	23-10		16-17		18-12
15600-92J00	15-1		17-17	15762-90J00	20-7
	17-1		18-17		22-7
15600-92J10	16-1	15644-88L00	15-13	15830-90J00	20-10
	18-1		17-13		22-10
15612-99E01	15-21	15644-88L10	16-13	16113-92J11	30-2
	16-21		18-13	16400-90J00	30-3
	17-21	15645-88L00	15-14	16440-99E00	30-4
	18-21		16-14	16451-90J00	30-5
15613-88L00	15-22		17-14	16510-61A31	31-2
	16-22		18-14	16520-90J00	30-6
	17-22	15648-92J00	15-16	16910-90J10	32-13
	18-22		16-24	16930-90J01	32-14
15614-99E00	15-23		17-16	17400-92J21	24-21
	16-23		18-24		25-21
	17-23	15650-99E00	15-9		26-21
	18-23		16-9		27-21
15626-92J00	15-4		17-9	17410-92J00	24-1
	17-4		18-9		25-1
15626-92J10	16-4	15654-88L00	15-10		26-1
	18-4		16-10		27-1
15628-99E00	15-5		17-10	17413-92J01	24-18
	16-5		18-10		26-18
	17-5	15681-92J00	19-1	17413-92J11	25-18
	18-5		20-1		27-18
15629-99E10	15-6		21-1	17416-92J10	24-19
	16-6		22-1		25-19
	17-6	15683-87J00	15-11		26-19
	18-6		16-11		27-19
15641-88L00	15-7		17-11	17461-90J01	24-2
	17-7		18-11		25-2
15641-88L10	16-7	15710-82K50	19-2		26-2
	18-7		20-2		27-2
15641-88L20	15-18		21-2	17471-92J00	24-3
	17-18		22-2		26-3
15641-88L30	16-18	15716-65DT0	19-3	17471-92J10	25-3
	18-18		20-3		27-3
15641-88L40	15-19		21-3	17472-87E10	24-4
	17-19		22-3		25-4
15641-88L50	16-19	15735-58B00	19-4		26-4
	18-19		20-4		27-4
15642-88L00	15-8		21-4		85-9
	16-8		22-4		86-9
	17-8	15751-92J00	19-5		87-9

PART NO.	FIG.NO.-REF.NO.	PART NO.	FIG.NO.-REF.NO.	PART NO.	FIG.NO.-REF.NO.
	88-9	17635-90J00	24-11	21110-92J00	33-1
17500-90J10	24-22		25-11	21131-93J00	33-16
	25-22		26-11	21151-92J00	33-2
	26-22		27-11	21210-92J00	33-3
	27-22	17660-90J00	28-3	21230-92J00	33-4
17520-90J00	24-23	17670-90J10	28-4-2	22511-99011	33-5
	25-23	17670-90J20	28-4-1		53-1
	26-23	17681-90J01	28-5	23111-90J02	33-6-1
	27-23	17711-90J00	28-6	23111-90J12	33-6-2
17561-90J02	24-5-1	17913-99E11	32-3	23115-92J00	33-7
	25-5-1	17917-87L00	63-33	25111-92J00	34-6-1
	26-5-1		65-33		35-6-1
	27-5-1		74-9		36-6-1
17561-90J12	24-5-2		76-9		37-6-1
	25-5-2	18134-77E00	13-3	25111-92J10	34-6-2
	26-5-2	18137-77E00	13-4		35-6-2
17562-90J00	27-5-2	18141-90J00	13-5		36-6-2
	24-6	18148-90J00	13-14		37-6-2
	25-6	18213-98J00	46-7	25131-92J00	34-1
	26-6	18498-88L00	15-31		35-1
	27-6		16-31		36-1
17563-87D00	24-7		17-31		37-1
	24-24		18-31	25141-92J00	34-2
	25-7	18498-90J20	1-19		35-2
	25-24	18498-96J20	23-11		36-2
	26-7	18498-99E10	23-12		37-2
	26-24	18498-99E20	19-6	25222-92J00	34-3
	27-7		20-6		35-3
	27-24		21-6		36-3
17564-87D00	24-8		22-6		37-3
	25-8	18498-99EA0	74-7	25232-90J00	34-4
	26-8		75-7		35-4
	27-8		76-7		36-4
17611-90J00-0EP	28-2		77-7		37-4
17612-90J00	24-20	18590-68H00	46-3	25321-92J10	34-5
	25-20	18640-78G00	46-5		35-5
	26-20	19115-90J00	29-6	25321-92J20	36-5
	27-20	19121-90J00	29-7		37-5
17631-90J00	24-9	19130-92J00	29-8	25700-92J00	58-30
	25-9	19131-95502	29-9		59-26
	26-9	19140-92J00	29-10		60-30
	27-9				61-28
17632-90J00	24-10			29116-93J00	34-7
	25-10				35-7
	26-10				36-7
	27-10				37-7
17635-87E00	24-25			29117-93J10	56-15
	25-25			29404-93J10	44-12
	26-25				49-18
	27-25				50-18

2000

PART NO.	FIG.NO.-REF.NO.	PART NO.	FIG.NO.-REF.NO.	PART NO.	FIG.NO.-REF.NO.
	51-18	33740-90J00	45-3	34600-93J11	73-8-2
	52-18	33799-97E00	55-9	34650-93J20	73-16-1
	53-16	33810-90J10	47-1	34650-93J31	73-16-2
	55-20	33833-91J00	43-5	34660-90J02	74-2
		33920-92J80	48-4		75-2
		33925-92J00	48-5		76-2
		34100-93J00	73-3-1		77-2
		34100-93J11	73-3-2	34800-88L01	89-23
		34100-93J20	73-3-3	34800-93J00	69-4-1
		34100-93J31	73-3-4		70-4-1
		34100-93J40	73-3-5		71-4-1
		34100-93J51	73-3-6		72-4-1
		34100-93J60	73-3-7		73-1-1
		34190-87D00	73-36	34800-93J11	69-4-2
		34190-88L00	89-1		70-4-2
		34190-95500	73-37		71-4-2
		34191-92E00	73-5		72-4-2
			73-17		73-1-2
		34193-88L00	89-2	34810-88L00	89-8
		34193-88L20	89-3	34830-87J20	46-4
		34193-88L40	89-4	34840-98J03	46-6
		34193-88L60	89-5	34841-92J00	46-8
		34200-87L10	73-23	34842-92J00	46-9
		34200-88L02	89-18	34843-87L00	46-10
		34200-93J00	69-1-1	34845-92J00	46-12
			70-1-1	34846-87L00	46-20
			71-1-1	34922-88L01	89-19
			72-1-1		89-24
			73-20-1	34960-88L00	89-9
		34200-93J11	69-1-2	36610-92J00	47-3
			70-1-2	36611-92J00	47-15
			71-1-2	36612-96J00	47-14
			72-1-2	36615-96300	69-2
			73-20-2		70-2
		34200-93J40	73-25-1		71-2
		34200-93J50	73-25-2		72-2
		34211-87L00	73-24		73-7
		34300-93J00	73-10-1		73-21
		34300-93J11	73-10-2		73-28
		34310-92E00	73-11	36616-90J10	47-16
		34360-92E00	73-12	36617-93J10	47-17
		34455-88L00	89-6	36618-43410	47-6
		34455-88L10	89-7	36620-93J02	74-15-1
		34500-93J00	70-6-1		75-14-1
			72-6-1		76-15-1
			73-14-1		77-14-1
		34500-93J11	70-6-2		79-55-1
			72-6-2		80-55-1
			73-14-2	36620-93J10	74-10-1
			73-8-1		75-9-1

30000

PART NO.	FIG.NO.-REF.NO.	PART NO.	FIG.NO.-REF.NO.	PART NO.	FIG.NO.-REF.NO.
			76-10-1	36666-88L00	89-14
			77-9-1	36666-88L10	89-15
		36620-93J30	74-11	36668-88L00	89-29
			75-10	36682-92E00	73-35
			76-11	36721-96J00	47-7
			77-10	36737-96J00	47-8
		36620-93J40	74-10-2	36738-88L00	47-9
			75-9-2	36890-93J00	83-16
			76-10-2	36890-93J10	81-15
			77-9-2	36894-87D00	53-3
		36620-93J52	74-15-2		54-23
			75-14-2	36894-95201	53-2
			76-15-2	36895-87D10	54-25
			77-14-2		57-7
			79-55-2	36990-87D00	74-1
			80-55-2		75-1
		36620-93J62	74-15-3		76-1
			75-14-3		77-1
			76-15-3	37100-96J00	78-1
			77-14-3	37100-96J13	78-15
			79-55-3	37100-96J23	78-25
			80-55-3	37110-93J00	78-2
		36628-92E00	80-3		78-16
			89-3		78-26
		36630-92E00	74-13	37110-93J10	79-4
			75-12		80-4
			76-13	37139-99E00	78-6
			77-12	37139-99E10	78-21
		36646-93J01	79-2	37139-99E20	78-33
			80-2	37141-99E00	78-3-1
		36660-94480	74-14		78-17-1
			75-13		78-27-1
			76-14		79-5-1
			77-13		80-5-1
		36661-87L00	73-27	37141-99E10	78-3-2
		36662-88L00	89-25		78-17-2
		36662-88L10	89-10		78-27-2
		36662-88L20	89-11		79-5-2
		36662-88L30	89-12		80-5-2
		36663-88L00	89-20	37141-99E20	78-3-3
			89-26		78-17-3
		36663-88L10	89-13		78-27-3
		36663-98J00	73-30		79-5-3
		36663-98J10	73-32		80-5-3
		36664-88L00	89-17	37141-99E30	78-3-4
		36665-88L00	89-21		78-17-4
			89-27		78-27-4
		36665-88L10	89-22		79-5-4
			89-28		80-5-4
		36666-87L00	73-34	37141-99E40	78-3-5
					37210-93J00
					78-13

PART NO.	FIG.NO.-REF.NO.	PART NO.	FIG.NO.-REF.NO.	PART NO.	FIG.NO.-REF.NO.	
37212-93J00	78-14			48401-96J01	54-2	
37220-92E00	81-16			48405-87D00	54-9	
37721-92E10	82-11	40000		48502-96J05	55-12	
37721-93J00	48-6			48503-96J03	54-1	
37721-93J90	79-8			48570-95E01	54-11	
	80-8		41111-92J03-0EP	49-1	48572-95E00	54-12
	84-11			50-1	48582-95E01	55-13
37726-90J10	48-7		51-1	48583-95E00	55-15	
37803-93J03	78-9		52-1	48585-95E00	55-16	
37805-93J00	78-11	41121-92J20-0EP	49-2	48588-94900	55-17	
37820-93J03	78-30		50-2	48601-94900	54-3	
	79-9		51-2	48615-97E00	54-10	
	80-9		52-2	48627-95E00	54-4	
37820-93J93	78-20	41130-92J30	49-3	48630-96J02	54-5	
37820-99E01	46-11		50-3	48633-94900	54-6	
37823-92E01	78-31		51-3	48641-96J02	54-7	
	79-10		52-3	48650-94900	54-8	
	80-10	41135-92J00	49-4	48861-92J01	54-13	
37825-99E00	78-10		50-4	48862-92J20	55-18	
37826-92E00	78-32		51-4	48862-92J30	55-19	
	79-11		52-4	48864-96J10	55-14	
	80-11	41153-94500	49-5			
37850-90J05	79-12		50-5			
	80-12		51-5			
37850-93J10	81-4		52-5			
	83-4	41161-94400	68-1			
37850-99E04	48-1	41220-95E13	53-17			
37855-99E00	78-12	41221-95E40	53-18			
37859-90J00	79-54	41224-95E01	53-19	50000		
	80-54	41225-94400	53-20			
37860-87L00	78-37	41228-90J00	53-21	51110-90850-0EP	56-1	
37862-87L00	78-38	41230-95E00	53-22	51115-90J00	56-8	
38100-96J01	55-1	41233-95E10	53-23	51122-90J00	56-18	
38410-93J20	48-2	43111-92J80-0EP	53-4-1	51123-90J01	56-19	
38415-93J20	48-3	43111-92J90-0EP	53-4-2	51211-90J22	56-9	
38500-93J00	74-12	43112-99E00	32-4		85-10	
	75-11	43211-93J00	53-5		86-10	
	76-12	43711-97E00	53-6		87-10	
	77-11	43750-90J22-0EP	53-7-1		88-10	
38500-93J90	78-7	43750-90J32-0EP	53-7-2	52111-90J02-0EP	57-1-1	
	78-23	45421-87D02	49-16	52111-90J12-0EP	57-1-2	
	78-35		50-16	54112-90J21	56-22	
	79-13		51-16	54114-90J01	56-25	
	80-13		52-16		57-13	
38860-76F01	47-5	48121-92J00	54-14	54121-87D00	57-8	
39950-87L00	73-29	48140-93J01	49-20	54123-90J00	56-21	
39950-88L00	89-16		51-20	54125-90J10	56-26	
		48311-96J10	54-15	54130-90J40	56-23	
		48321-87D03	54-16	54148-90J11-0EP	56-27	
		48326-95E00	54-17	54151-90J00	57-14	

PART NO.	FIG.NO.-REF.NO.	PART NO.	FIG.NO.-REF.NO.	PART NO.	FIG.NO.-REF.NO.
54160-90J20	57-9				41-1
54166-90J11	57-10	56123-92J00	38-25		41-32
54211-90J01-0EP	57-15		39-25	57630-90J00	58-29
54221-90J02-0EP	57-16		40-2		60-29
55110-90J15-0EP	58-1		41-2	57631-92J00	38-18
	59-1	56130-90J00	38-32		39-18
55110-92J00-0EP	60-1		39-32		40-33
	61-1		40-8		41-33
55116-87E00	58-28		41-8	57633-90J02	58-23
	60-28	56140-92J00	38-36		59-21
55125-90J01	58-3		39-36		60-23
	59-3	56140-92J30	40-11		61-23
55125-92J00	60-3		41-11	57635-92J01	58-24
	61-3	57110-92J60	38-1-1		59-22
55127-87D00	58-4		39-1-1		60-24
	59-4		40-16-1		61-24
	60-4		41-16-1	58100-90JA0-019	58-19-1
	61-4	57110-92J70	38-1-2		58-19-1
55320-94900	49-6		39-1-2	58100-90JB0-019	58-19-2
	50-6		40-16-2		59-19-2
	51-6		41-16-2	58100-90JC0-019	58-19-3
	52-6	57130-92J01	57-5		59-19-3
55321-87J00	1-7	57133-90J01	38-2	58100-90JD0-019	58-19-4
	44-3-1		39-2		59-19-4
55321-87J10	44-3-2		40-17	58100-90JE0-019	58-19-5
55321-90J01	58-5		41-17		59-19-5
	59-5	57300-92860	38-4	58105-90J00	58-20
	60-5		39-4		59-20
	61-5	57300-92870	40-19		60-22
55321-94910	49-21		41-19		61-22
	51-21	57500-87861	38-8	58120-90J00	58-22
55332-87D01	24-26		39-8		60-20
	25-26	57500-87873	38-6		61-20
	26-26		39-6	58200-90J00	58-21-1
	27-26		40-21	58200-90J10	58-21-2
55332-87D11	58-6		41-21	58200-90J20	58-21-3
	59-6	57500-92813	38-12	58200-90J30	58-21-4
	60-6		39-12	58200-92J00	60-19-1
	61-6		40-27		61-19-1
55333-87D02	24-27		41-27	58200-92J10	60-19-2
	25-27	57610-92J20	38-15		61-19-2
	26-27		39-15	58200-92J20	60-19-3
	27-27	57610-92J31	40-31		61-19-3
55333-87D10	58-7		41-31	58200-92J30	60-19-4
	59-7	57616-90J00	38-23		61-19-4
	60-7		39-23	58200-92J40	58-19-6
	61-7	57616-92J00	40-39	58200-92J50	58-19-7
56120-92J01-0EP	38-24		41-39	58200-92J60	58-19-8
	39-24	57621-92J10	38-16	58200-92J70	58-19-9
56120-92J12-0EP	40-1		39-16	58200-92J80	58-19-10

PART NO.	FIG.NO.-REF.NO.	PART NO.	FIG.NO.-REF.NO.	PART NO.	FIG.NO.-REF.NO.
58200-92J90	58-19-11	61621-87D20	66-2	65561-95D00	67-3
58200-92JA0	60-21-1	61633-90J02-0EP	62-15	65700-90J13	67-11
	61-21-1		62-16	65740-95D01	67-7
58200-92JB0	60-21-2		63-15	65750-95500	67-12
	61-21-2		63-16	65770-90J10	67-13
58200-92JC0	60-21-3		64-15	65831-95D00	67-4
	61-21-3		64-16	65890-95D00	67-5
58200-92JD0	60-21-4		65-15	65892-95D00	67-6
	61-21-4		65-16	67140-95600	79-57
		61637-90J10	62-17		80-57
			63-17	67200-93J06	79-1
			64-17		80-1
			65-17	67200-93J13	83-1
		61638-90J10	62-18		84-1
			63-18	67200-93J23	81-1
			64-18		82-1
61112-92J00	66-19		65-18	67211-93J00	83-27
61124-90J30	62-26	61641-87D00	62-19	67211-93J10	81-26
	63-26		63-19	67212-95600	79-14
	64-26		64-19		80-14
	65-26		65-19	67213-92E00	79-15
61134-90J20	62-1		66-3		80-15
	63-1	61644-90J20	62-20	67220-95630	79-18
	64-1	61645-90J01-0EP	63-20		80-18
	65-1		64-20	67221-92E00	82-8
61150-99E00	32-5		65-20		84-8
61155-99E01	32-7		66-9	67222-92E00	82-2
61400-90850-0EP	66-1	61680-90J01	66-10		84-2
61422-92J12	66-21	61690-90J01	62-2	67223-92E00	82-3
61431-92J10-0EP	66-6	61810-90J10-0EP	63-2		84-3
61435-92J22	66-22		64-2	67223-99E10	79-19
61438-92J10	66-7		65-2		80-19
61439-92J10	66-8	61817-89J00	62-3	67224-92E00	82-9
61443-87L20	66-15		63-3		84-9
61446-87L12	66-17		64-3	67226-92E00	82-15
61453-87L20	66-16		65-3		84-15
61458-99E70	66-24		62-4	67226-92E10	82-16
61471-98J00	66-23	61820-90J10-0EP	63-4		84-16
61472-93E32	4-4		64-4	67227-92E00	82-24
	6-4		65-4		84-24
61472-93E40	3-4		62-5	67228-92E00	82-18
	5-4	61827-90J00	63-5		84-18
61493-90J00	3-6		64-5	67229-95600	79-20
	4-6		65-5		80-20
	5-6		62-6	67230-92E00	82-20
	6-6	61831-90J12-0EP	63-6		84-20
61494-90J00	3-7		64-6	67231-92E00	82-43
	4-7		65-6		84-41
	5-7		67-1	67232-95600	79-21
	6-7	65000-95D01	67-2		80-21
61610-93J00	66-20	65520-95D00			

60000

PART NO.	FIG.NO.-REF.NO.	PART NO.	FIG.NO.-REF.NO.	PART NO.	FIG.NO.-REF.NO.
	82-44	67253-92E10	82-39		83-20
	84-42		84-38	67287-92E10	82-49
67232-95620	82-29	67253-95600	79-29	67288-92E00	79-41
	84-28		80-29		80-41
67233-92E00	82-27		82-42		82-4
	84-26		84-40		84-4
67234-92E00	82-22	67255-99E00	79-30	67288-92E10	82-6
	84-22		80-30		84-6
67235-92E00	82-28	67256-95600	79-31	67288-92E20	81-7
	84-27		80-31		83-7
67236-92E00	82-33	67257-92E00	81-10	67288-92E30	81-13
	84-32		83-11		83-14
67237-92E01	82-34	67257-99E00	79-32	67288-92E40	81-9
	84-33		80-32		83-10
67238-87D00	79-22	67258-99E00	79-33	67291-92E00	82-7
	80-22		80-33		84-7
67238-92E00	82-35	67259-87D00	79-34	67291-92E10	82-38
	84-34		80-34		84-37
67239-92E00	82-36	67261-93J00	81-2	67292-94300	79-42
	84-35		83-2		80-42
67239-92E10	82-47	67261-99E00	79-35		82-5
	84-45		80-35		84-5
67240-92E00	82-17	67263-93J00	81-3	67294-92E00	82-10
	84-17		83-3		84-10
67241-92E10	82-45	67264-95600	79-37	67294-95600	79-43
	84-43		80-37		79-58
67241-99E10	79-23	67267-93J00	79-38		80-43
	80-23		80-38		80-58
67243-92E00	82-46	67269-92E00	82-30	67295-92E00	81-24
	84-44		84-29		83-8
67243-95600	79-24	67271-92E00	81-25	67295-92E10	81-5
	80-24		83-26		83-5
67244-95600	79-25	67272-92E10	82-48	67296-88D10	81-6
	80-25	67273-92E00	83-23		82-13
67245-92E00	82-23	67273-92E10	81-23		82-31
	84-23	67273-95600	79-39		83-6
67245-95600	79-26		80-39		84-13
	80-26		81-22		84-30
67246-92E00	82-37		83-22	67296-90J00	79-44
	84-36	67274-92E00	82-41		80-44
67251-93J00	81-11		83-24	67296-92E10	79-17
	83-12	67275-95600	79-40		80-17
67251-99E10	79-27		80-40		82-12
	80-27		81-21		84-12
67252-92E10	82-40		83-21	67296-92E20	82-14
	84-39	67281-93J00	83-17		84-14
67252-95600	79-28	67282-93J00	81-17	67296-92E30	81-18
	80-28	67286-92E00	82-19		83-18
67253-92E00	81-14		84-19	67296-92E60	81-12
	83-15	67287-92E00	81-20		83-13

PART NO.	FIG.NO.-REF.NO.	PART NO.	FIG.NO.-REF.NO.	PART NO.	FIG.NO.-REF.NO.
67296-92E70	81-8 83-9 83-28	69711-93E10	3-5 4-5 5-5 6-5		18-34 32-16 33-21 66-13
67296-92E80	82-50			01550-06167	29-16
67296-94300	79-45 80-45				44-13
67296-94310	79-36				62-31
	80-36				63-31
67296-95600	79-46				64-31
	80-46				65-31
67296-95610	79-47 80-47 82-26 83-25	77811-63J00-0PG	66-18	01550-0616A	8-16 30-13
	79-59			01550-06207	2-10 3-3
67296-95620	80-59				4-3
67297-95600	79-48				5-3
	80-48				6-3
67300-90J00	62-33				13-9 44-14
	63-34			01550-0620A	8-17
	64-33	99011-90J30-054	85-11-2	01550-06257	23-17
	65-34		87-11-2		28-18
67341-90J32	62-28	99011-90J30-059	85-11-1		45-8
	63-28		86-11		56-14
	64-28		87-11-1	01550-06307	33-14
	65-28		88-11		44-15
67343-90J20	62-29			01550-06357	29-17
	63-29			01550-08207	1-9
	64-29				23-16
	65-29				42-20
67344-90J00	62-30			01550-0825A	56-20
	63-30			01550-0835A	8-18
	64-30			01550-08407	2-11
	65-30				13-10
67467-89J01	68-7			01550-08557	29-3
67473-89J00	29-11	01421-0616A	8-15	01550-08757	13-11
67500-93J00	83-29	01421-08357	13-7	01550-10507	42-21
67500-93J10	81-27	01421-08407	19-12	01550-12167	19-13
67600-90J00	68-10		20-12		21-13
67631-90J00	68-11		21-12	01550-12307	2-2
67701-90J00	68-2		22-12	01580-08257	62-32
67721-99E00	68-3	01421-08507	13-8		63-32
67725-99E00	68-4	01547-06167	43-9		64-32
67725-99E10	68-12	01547-06257	1-23		65-32
67726-99E00	68-5		30-11	02112-0408A	15-15
	68-13	01547-06357	30-12		17-15
67728-99E00	68-6	01547-06557	1-24	02112-0612A	1-25
68110-87L00	66-26	01550-06127	15-34	02142-0408B	15-24
68165-16B00-13L	79-49		16-34		17-24
	80-49		17-34	02142-06167	47-19

PART NO.	FIG.NO.-REF.NO.	PART NO.	FIG.NO.-REF.NO.	PART NO.	FIG.NO.-REF.NO.
02162-05207	46-13				51-8-2
02162-06127	44-16	09103-06093	46-14		57-17
03121-0516A	78-22	09103-06231	43-6	09117-08047	38-31
	78-34	09103-06266	1-2		39-31
03542-06169	66-14	09103-06281	1-8		40-14
04211-11129	13-12		44-4		41-14
	56-17	09103-12049	8-3	09117-08110	38-35
04211-13149	42-22	09103-16004	43-7		39-35
04211-13189	1-13	09106-05030	43-10		40-15
04221-04089	7-7	09106-10065	49-14		41-15
04221-05109	8-5		50-14	09117-10039	58-11
06111-07004	38-20		51-14		59-11
	39-20		52-14		60-11
	40-35	09116-06121	28-7		61-11
	41-35		49-7	09118-08127	62-7
06111-11004	38-21		50-7		63-7
	39-21		51-7		64-7
	40-36		52-7		65-7
	41-36	09116-06127	62-21	09119-05010	29-12
08113-62090	38-29		63-21	09125-05042	79-16
	39-29		64-21		80-16
08211-30382	38-9-1		65-21		82-21
	39-9-1	09116-06202	15-25		84-21
08310-00067	47-20		16-25	09125-05046	24-13
08316-1006A	8-19		17-25		25-13
08316-10087	13-13		18-25		26-13
	19-14	09116-06215	14-8		27-13
	20-14	09116-08125	1-12		46-15
	21-14	09116-08128	32-8	09125-05050	53-8
	22-14		56-11		54-26
	23-18	09116-08131	24-12	09125-05135	81-28
	47-2		25-12		83-30
08321-01067	47-21		26-12	09125-06063	24-28
08322-01067	45-9		27-12		25-28
08331-3112A	30-14	09116-08137	49-19		26-28
08331-41269	8-8		50-19		27-28
08331-41359	56-6		51-19		49-9
08341-31059	43-11		52-19		50-9
09100-06131	58-8		58-9		51-9
	59-8		59-9		52-9
	60-8		60-9		53-9
	61-8		61-9		53-24
09100-08232	79-50	09116-08160	56-10		54-24
	80-50	09116-10129	32-9		57-6
09100-12081	68-14	09116-10150	58-10	09126-05003	79-51
09100-12090	49-8-1		59-10		80-51
	50-8		60-10	09126-06006	82-25
	51-8-1		61-10		84-25
	52-8	09116-10174	54-18	09131-05004	78-39
09100-12091	49-8-2	09116-10176	56-28	09132-04034	24-17

PART NO.	FIG.NO.-REF.NO.	PART NO.	FIG.NO.-REF.NO.	PART NO.	FIG.NO.-REF.NO.
09136-06148	25-17	09160-06055	68-9		39-9-9
	26-17	09160-06082	53-26	09160-30055	40-40
	27-17	09160-06085	58-12		41-40
	62-8		59-12	09160-30056	40-41
	63-8		60-12		41-41
09136-06149	64-8		61-12	09160-35002	40-23-6
	65-8	09160-06094	33-8		41-23-6
	62-9	09160-06104	79-53	09160-35003	40-23-8
	63-9		80-53		41-23-8
	64-9	09160-08059	56-16	09160-35006	40-23-4
09137-04004	65-9	09160-10082	49-15		41-23-4
	48-8		50-15	09160-35008	40-23-5
09140-05005	29-13		51-15		41-23-5
	81-30		52-15	09160-35009	40-23-7
09140-06020	83-32	09160-12044	49-12		41-23-7
	79-52		50-12	09160-35010	40-23-9
	80-52		51-12		41-23-9
	82-32		52-12	09160-35013	40-23-3
	84-31	09160-12066	68-15		41-23-3
09140-10031	54-19	09160-12110	49-13	09160-35014	40-23-2
	09140-10032		50-13		41-23-2
09140-14024	38-5		51-13	09160-35015	40-23-1
	39-5		52-13		41-23-1
09141-18005	40-20		56-30	09160-39001	53-10
	41-20	09160-12112	57-12	09160-60003	40-25-3
	58-25	09160-12113	57-18		41-25-3
	59-23	09160-13014	62-22	09160-60004	40-25-4
	60-25		63-22		41-25-4
09159-12014	61-25		64-22	09160-60005	40-25-5
	49-10		65-22		41-25-5
	50-10	09160-16048	43-8	09160-60006	40-25-6
	51-10	09160-18028	58-26		41-25-6
	52-10		59-24	09160-60007	40-25-7
09159-14020	56-24		60-26		41-25-7
	56-29		61-26	09160-60008	40-25-1
	57-11	09160-30036	38-9-2		41-25-1
	49-17		39-9-2	09160-60009	40-25-2
	50-17	09160-30037	38-9-3		41-25-2
09159-22006	51-17		39-9-3	09160-60011	40-24
	52-17	09160-30038	38-9-4		41-24
	49-11		39-9-4	09160-70002	38-10
	50-11	09160-30039	38-9-5		39-10
	51-11		39-9-5	09160-70005	40-26
09160-05024	52-11	09160-30041	38-9-6		41-26
	81-19		39-9-6	09161-16008	24-14
09160-05029	83-19	09160-30042	38-9-7		25-14
	81-29		39-9-7		26-14
	83-31	09160-30043	38-9-8		27-14
09160-06046	29-14		39-9-8	09162-10005	54-20
09160-06054	44-8	09160-30044	38-9-9	09164-14008	62-23

PART NO.	FIG.NO.-REF.NO.	PART NO.	FIG.NO.-REF.NO.	PART NO.	FIG.NO.-REF.NO.
09168-10022	63-23		39-7-5		39-13-2
	64-23		40-22-5		40-28-5
	65-23		41-22-5		41-28-5
	58-13	09181-41006	38-7-6	09181-70003	38-13-3
	59-13		39-7-6		39-13-3
09168-12012	60-13		40-22-6		40-28-7
	61-13		41-22-6		41-28-7
	32-10	09181-41008	38-7-8	09181-70004	38-13-4
	19-7		39-7-8		39-13-4
	21-7		40-22-8		40-28-9
09168-16002	30-7		41-22-8		41-28-9
	14-6	09181-41009	38-7-9	09181-70006	38-13-5
09169-06075	15-26		39-7-9		39-13-5
	16-26		40-22-9		40-28-1
09169-06090	17-26		41-22-9		41-28-1
	18-26	09181-41010	38-7-10	09181-70009	38-13-6
	62-10		39-7-10		39-13-6
	63-10		40-28-10		40-28-2
	64-10		41-22-10		41-28-2
09169-28003	65-10	09181-41012	38-7-12	09181-70010	38-13-7
	53-11		39-7-12		39-13-7
	29-15		40-22-12		40-28-4
	68-16		41-22-12		41-28-4
	30-8	09181-41013	38-7-13	09181-70011	38-13-8
09180-09022	53-12		39-7-13		39-13-8
	38-7-1		40-22-13		40-28-6
	39-7-1		41-22-13		41-28-6
	40-22-1	09181-41014	38-7-14	09181-70012	38-13-9
	41-22-1		39-7-14		39-13-9
09181-40186	38-7-7		40-22-14		40-28-8
	39-7-7		41-22-14		41-28-8
	40-22-7	09181-45003	38-11-1	09202-05027	7-10
	41-22-7		39-11-1	09202-06031	24-15
	38-7-11	09181-45004	38-11-2		25-15
09181-40190	39-7-11		39-11-2		26-15
	40-22-11	09181-45005	38-11-3		27-15
	41-22-11		39-11-3		38-17
	38-7-2	09181-45006	38-11-4		39-17
	39-7-2		39-11-4		40-37
09181-41002	40-22-2	09181-45007	38-11-5		41-37
	41-22-2		39-11-5	09202-08006	57-3
	38-7-3	09181-45008	38-11-6		58-14
	39-7-3		39-11-6		59-14
	40-22-3	09181-45009	38-11-7		60-14
09181-41003	41-22-3		39-11-7		61-14
	38-7-4	09181-70001	38-13-1	09204-01006	33-9
	39-7-4		39-13-1		53-27
	40-22-4		40-28-3		58-27
	41-22-4		41-28-3		59-25
09181-41005	38-7-5	09181-70002	38-13-2		60-27

PART NO.	FIG.NO.-REF.NO.	PART NO.	FIG.NO.-REF.NO.	PART NO.	FIG.NO.-REF.NO.
	61-27		41-18		12-11
09205-02006	29-5	09269-30014	40-42	09289-18001	56-5
09205-04014	34-8		41-42	09306-06004	33-11
	35-8	09269-60001	40-29	09306-10001	33-12
	36-8		41-29	09306-13008	62-24
	37-8	09269-70001	38-14		63-24
09205-10006	33-17		39-14		64-24
09206-08001	1-3		40-30	09306-17001	65-24
	56-12		41-30		54-21
09206-09012	38-37	09280-09005	32-6	09307-13006	62-25
	39-37	09280-09008	32-15		63-25
	40-12	09280-13005	32-12		64-25
	41-12	09280-22019	1-6		65-25
09206-13019	2-9	09280-22020	30-10	09320-08021	47-10
09229-04025	66-4	09280-22022	8-7	09320-08062	19-8
	66-5	09280-26005	23-13		20-8
09246-05006	2-13	09280-26006	1-20		21-8
09247-12013	20-13		28-8		22-8
	22-13		56-13	09320-08076	15-27
09248-10008	58-15	09280-46004	38-33		16-27
	59-15		39-33		17-27
	60-15		40-9		18-27
	61-15		41-9	09320-09039	14-7
09248-12009	32-11	09280-69001	34-9	09320-09053	15-28
09248-12011	33-10		35-9		16-28
09248-18011	2-6		36-9		17-28
09250-10001	53-13		37-9		18-28
09251-07003	67-9	09280-97001	38-27	09320-10008	44-9
09260-10005	33-18		39-27	09320-11013	62-11
09261-05006	30-9		40-5		63-11
09262-17019	56-2		41-5		64-11
09262-35068	8-6	09282-24003	56-3		65-11
09262-35069	56-7	09282-24004	38-34	09320-12011	44-10
09263-28016	58-2		39-34	09321-08022	62-12
	59-2		40-10		63-12
	60-2		41-10		64-12
	61-2	09282-30007	38-28		65-12
09263-30051	38-26		39-28	09329-01007	44-11
	39-26		40-6	09329-10022	66-11
	40-3		41-6	09329-10023	66-12
	41-3	09282-39001	53-14	09329-12004	13-6
09263-45004	40-13	09283-10011	34-10	09343-70503-600	23-3
	41-13		35-10	09352-11153-600	28-9
09263-50001	38-38		36-10	09352-50823-00B	15-29
	39-38		37-10		16-29
	40-4	09283-32044	56-4		17-29
	41-4	09283-52004	7-13		18-29
09265-25040	38-3	09289-06003	9-11	09352-50903-00B	28-13
	39-3		10-11	09352-50903-600	28-10
	40-18		11-11		28-11

PART NO.	FIG.NO.-REF.NO.	PART NO.	FIG.NO.-REF.NO.	PART NO.	FIG.NO.-REF.NO.
	28-12	09401-11425	19-11		65-13
	74-3		20-11	09420-05009	24-16
	74-4		21-11		25-16
	75-3		22-11		26-16
	75-4	09401-14409	28-15		27-16
	76-3	09401-20409	1-22	09440-07071	33-20
	76-4	09401-31407	28-16	09440-09040	38-19
	77-3	09403-06316	48-9		39-19
	77-4	09403-13408	15-32		40-34
	1-21		16-32		41-34
09355-13207-00B	58-16		17-32	09440-19028	53-28
09355-40805-00B	59-16		18-32	09440-49004	38-22
	60-16		33-19		39-22
	61-16	09403-20308	62-14		40-38
	19-9		63-14		41-38
09360-12008	21-9		64-14	09471-12028	73-4
	20-9		65-14	09471-12077	69-3
09360-12013	22-9	09407-08401	78-8		70-3
	58-17		78-24		71-3
09362-09008	59-17		78-36		72-3
	60-17	09407-10404	46-16		73-22
	61-17		47-22		73-26
	19-10		58-18	09471-12103	69-5
09363-08004	21-10		59-18		70-5
	74-5		60-18		70-7
09367-06006	75-5		61-18		71-5
	76-5	09407-11401	46-17		72-5
	77-5	09407-14407	46-18		72-7
	67-10		73-6		73-2
09367-08001	54-22		73-18		73-9
09380-17009	53-15	09407-18402	46-19		73-13
09380-38003	7-4	09407-25402	62-27		73-15
09381-21002	33-13		63-27		73-19
09383-08004	68-8		64-27	09481-05501	73-31
09385-06012	57-4		65-27		73-33
09387-45001	38-30		74-8	09481-10501	74-16
09387-52001	39-30		75-8		75-15
	40-7		76-8		76-16
	41-7		77-8		77-15
	15-30	09408-00024	28-17		79-56
09401-08412	16-30	09408-00035	45-7		80-56
	17-30	09408-00050	23-9	09481-15501	47-11
	18-30	09408-00111	47-18	09481-30501	47-12
09401-08413	28-14	09408-00302	15-33	09481-60401	47-13
	74-6		16-33	09482-00427	1-26
	75-6		17-33	09800-81840	66-25
	76-6		18-33		
	77-6	09409-05302-5PK	62-13		
09401-11423	23-15		63-13		
	67-8		64-13		

SUZUKI **DF140A** PARTS CATALOGUE

SUZUKI MOTOR CORPORATION All rights reserved

No part of this document may be reproduced or transmitted in any form or by any means, electronic or mechanical, for any purpose, without the express written permission of Suzuki Motor Corporation.

SUZUKI MOTOR CORPORATION

Technical Readiness Group, Quality Administration Department
300 Takatsuka, Minami, Hamamatsu, Japan

Reprint Prohibited

SUZUKI MOTOR CORPORATION