

БОЛЬШОЙ СКЛАД ЗАПЧАСТЕЙ В САНКТ-ПЕТЕРБУРГЕ

Для лодочных моторов Suzuki в наличии все ходовые запчасти, сервисные наборы, расходные материалы, оригинальные аксессуары, оригинальные и не оригинальные гребные винты, “ноги”, тросы для установки на лодку и многое другое.

Найдите в каталоге коды необходимых запчастей

и отправьте их список на Email: parts-katalog@yandex.ru

мы пришлём информацию о цене и наличии

Возможен самовывоз со склада в Санкт-Петербурге

или отправка EMS по России

Наш сайт: www.partskatalog.ru

Контактный телефон: +7 (981) 121-46-93

Особое внимание, обратите на модификацию двигателя. Сверьте серийный номер и скачайте «правильный» каталог запчастей. Не путайте старые моторы серии «Т» и новые серии «А».

PP005880.TIF DF140TLK11(E1) K11 2011 / * CATALOG PREFACE *

PREFACE

When it becomes necessary to replace parts on SUZUKI OUTBOARD MOTORS, always use SUZUKI GENUINE PARTS which have passed a strict inspection which guarantees quality and performance.

This parts catalogue covers the list of all service parts for SUZUKI DF140T/Z '02~'10 MODEL, DF140WT '03~'10 MODEL, DF140WZ '05~'10 MODEL, and later.

INSTRUCTIONS FOR QUOTING THE CATALOGUE

1. DIMENSIONS

Dimensions of the parts in this catalogue are indicated in unit millimeters.

2. ABBREVIATIONS

Abbreviations used in this catalogue are as follows:

AR	: As required	NT	: Number of teeth
ASSY	: Assembly	OPT	: Optional
E. NO.	: Engine number	OS	: Over size
F. NO.	: Frame number	STD	: Standard
D	: Diameter of material	T	: Thickness
ID	: Inside diameter	US	: Under size
OD	: Outside diameter	W	: Width
L	: Length	W/	: With
LH(PORT)	: Left hand side	S, L, X, LL	: Transom type
RH(STBD)	: Right hand side	SUS	: Stainless steel
~123456	: Up to E. NO. 14001F-123456	PTT	: Power trim and tilt
123456~	: From E. NO. 14001F-123456		

12 x 34 x 5.6..... Figures in the description column

| | | show the dimensions of parts.

ID OD T(or W, L)

→12345-56781 (Parts No.) : indicates that the parts number was changed to 12345-56781 and the new parts are interchangeable with the former ones but the former ones are not interchangeable with new ones.

←12345-56781 (Parts No.) : indicates that the former and new parts are interchangeable with each other and both are usable.

PP005888.TIF DF140TLK11(E1) K11 2011 / * CATALOG PREFACE *

3. INNER PARTS OF ASSEMBLY

Part name with a dot (.) in front as shown in the description column indicates the component of the assembly also available individually.

4. MODIFICATION NOTICE

A parts bulletin will be sent to you on all occasions when changes in parts occur, including interchangeable modifications between new parts and old ones.

5. NOTE

5-1. There are some different parts from those of production models among spare parts for the administrative reasons and common use of them with other models.

5-2. In respect of rubber hoses and vinyl tubes, please be sure to use them by cutting off according to the length mentioned on parts catalogue or what is actually required on the vehicle.

5-3. Note that the drawings on the illustration page are for ready reference of spare parts number, not to be used as an assembly manual. When assembling, use "SUZUKI SERVICE MANUAL".

6. MODEL NAME AND ENGINE NUMBER

MODEL	YEAR'S	TYPE	TRANSOM	ENGINE No.
DF140TLK2	'02	14001F	L, X	14001F-251001~
DF140TLK3	'03	14001F	L, X	14001F-371001~
DF140TLK4	'04	14001F	L, X	14001F-421001~
DF140TLK5	'05	14001F	L, X	14001F-510001~
DF140TLK6	'06	14001F	L, X	14001F-680001~
DF140TLK7	'07	14001F	L, X	14001F-780001~
DF140TLK8	'08	14001F	L, X	14001F-880001~
DF140TLK9	'09	14001F	L, X	14001F-980001~
DF140TLK10	'10	14002F	L, X	14002F-010001~
DF140TL		14002F	L, X	14002F-110001~
DF140ZXK2	'02	14001Z	X	14001Z-251001~
DF140ZXK3	'03	14001Z	X	14001Z-371001~
DF140ZXK4	'04	14001Z	X	14001Z-421001~
DF140ZXK5	'05	14001Z	X	14001Z-510001~
DF140ZXK6	'06	14001Z	X	14001Z-680001~
DF140ZXK7	'07	14001Z	X	14001Z-780001~
DF140ZXK8	'08	14001Z	X	14001Z-880001~
DF140ZXK9	'09	14001Z	X	14001Z-980001~
DF140ZXK10	'10	14002Z	X	14002Z-010001~
DF140ZX		14002Z	X	14002Z-110001~

DF140T/140Z E1

- 2 -

PP005864.TIF DF140TLK11(E1) K11 2011 / * CATALOG PREFACE *

MODEL	YEAR'S	TYPE	TRANSOM	ENGINE No.
DF140WTLK3	'03	14001F	L, X	14001F-371001~
DF140WTLK4	'04	14001F	L, X	14001F-421001~
DF140WTLK5	'05	14001F	L, X	14001F-510001~
DF140WTLK6	'06	14001F	L, X	14001F-680001~
DF140WTLK7	'07	14001F	L, X	14001F-780001~
DF140WTLK8	'08	14001F	L, X	14001F-880001~
DF140WTLK9	'09	14001F	L, X	14001F-980001~
DF140WTLK10	'10	14002F	L, X	14002F-010001~
DF140WTL		14002F	L, X	14002F-110001~
DF140WZK5	'05	14001Z	X	14001Z-510001~
DF140WZK6	'06	14001Z	X	14001Z-680001~
DF140WZK7	'07	14001Z	X	14001Z-780001~
DF140WZK8	'08	14001Z	X	14001Z-880001~
DF140WZK9	'09	14001Z	L, X	14001Z-980001~
DF140WZK10	'10	14002Z	L, X	14002Z-010001~
DF140WZX	'10	14002Z	L, X	14002Z-110001~

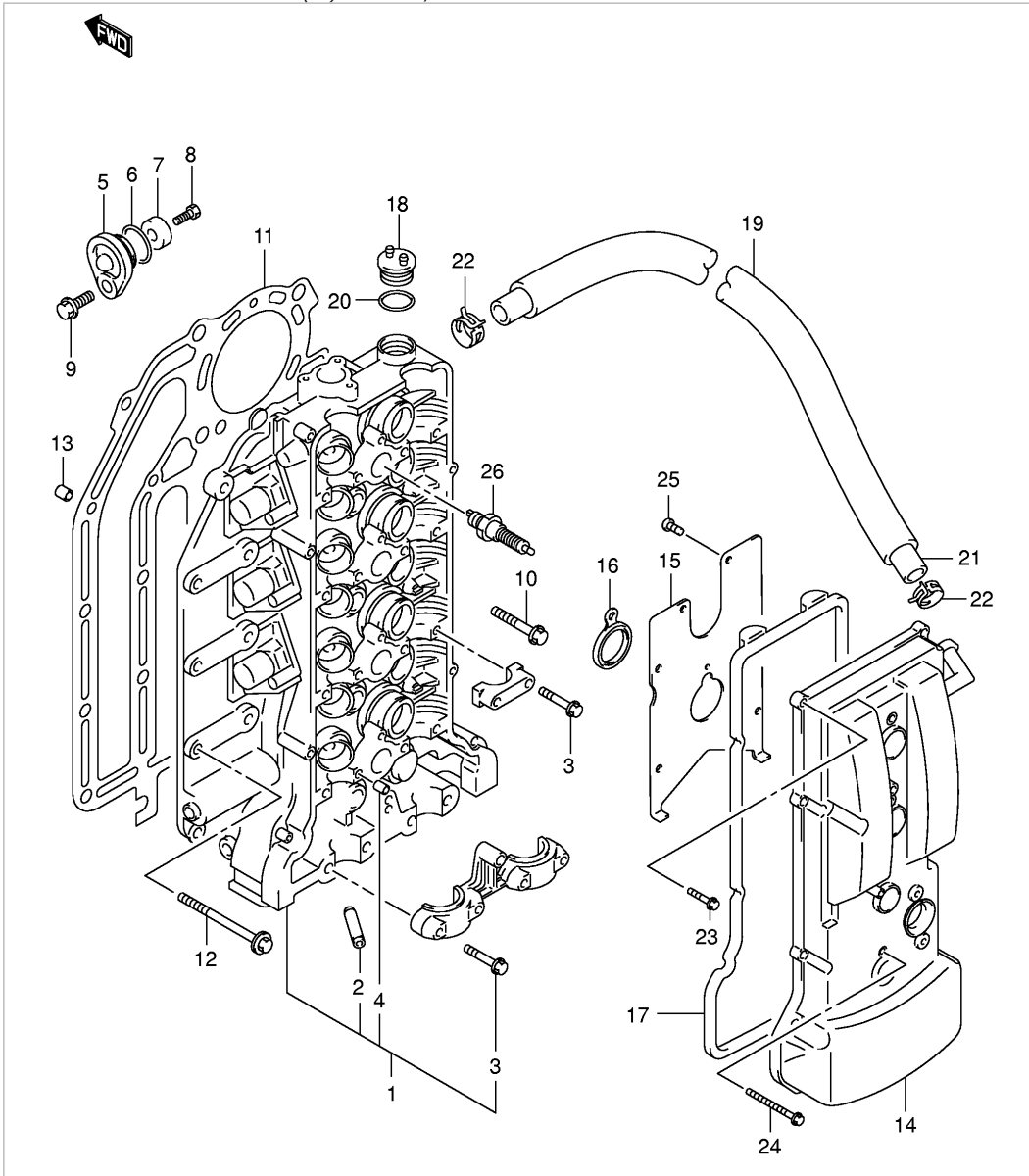
DF140T/140Z E1

- 3 -

PP005860.TIF DF140TLK11(E1) K11 2011 / * COLOR CHART *

DF140T/140Z E1	HY6 0EP.Y2D
DF140T/140Z E1	Y2D FLASU SILVER METALLIC
DF140T/140Z E1	0EP SHADOW BLACK METALLIC
DF140T/140Z E1	13L BRIGHT SILVER METALLIC
DF140T/140Z E1	5PK BLACK

DP000272.TIF DF140TLK11(E1) K11 2011 / CYLINDER HEAD

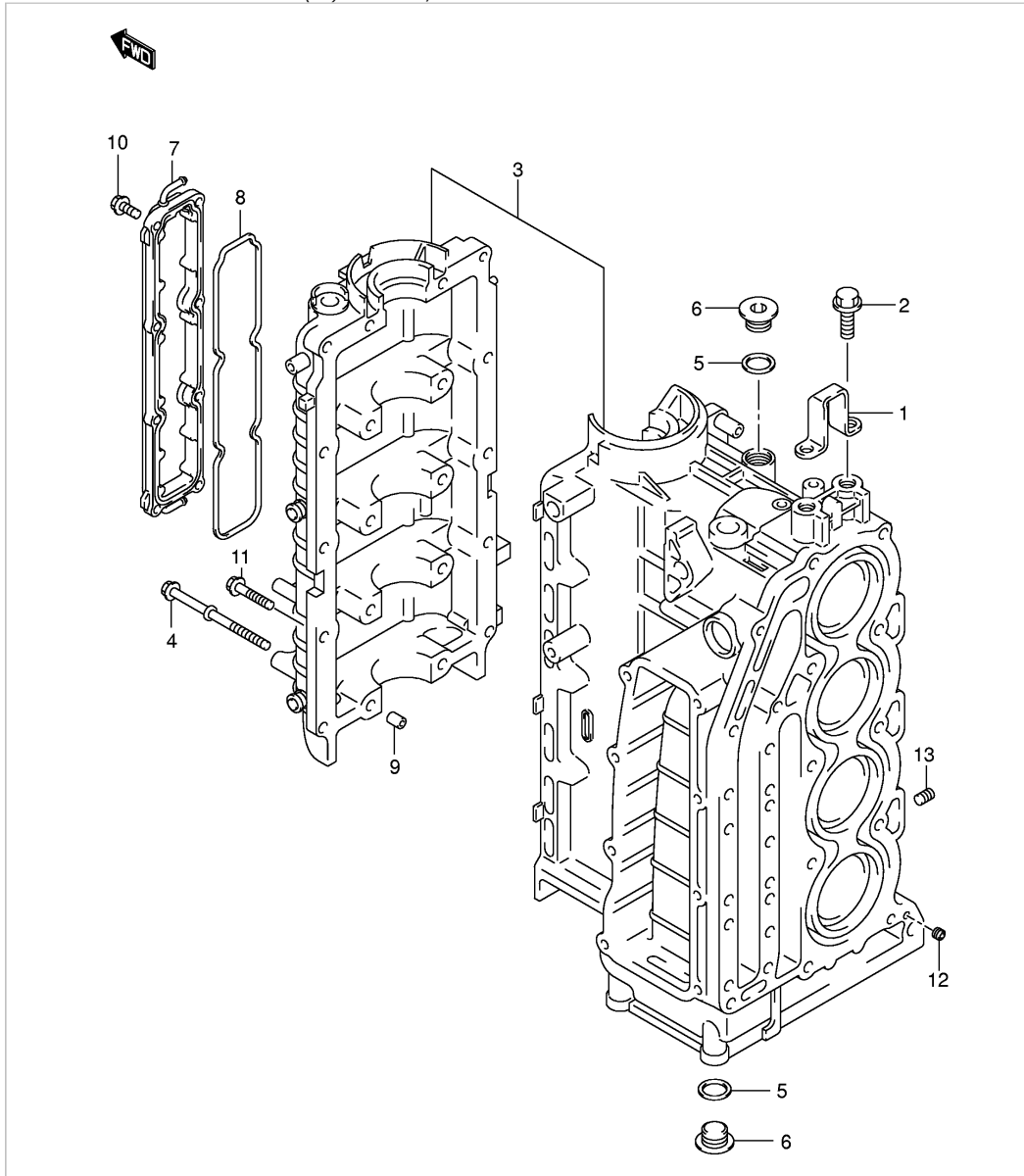


Part List

DP000272.TIF DF140TLK11(E1) K11 2011 / CYLINDER HEAD

REF NO	PART NO	DESCRIPTION	QTY	KIT	NOTES
1	11100-90J01-000	HEAD, CYLINDER	1		
1	11100-90J02-000	HEAD, CYLINDER	1		INC.NO.5~9, DF140T:421160~, DF140Z:421015~
1	11100-90J05-000	HEAD, CYLINDER	1		DF140T:422364~, DF140Z:421166~
1	11100-90J06-000	HEAD, CYLINDER	1		DF140T:110122~, DF140Z:110001~
2	11115-85FA1-001	GUIDE, VALVE	16	*	
3	11128-90J00-000	BOLT, CAM SHAFT HOUSING	21	*	
3	09103-06266-000	BOLT, CAMSHAFT HOUSING	21	*	DF140T:110122~, DF140Z:110001~
4	09206-08001-000	PIN	18	*	
5	11261-93J00-000	COVER, PROTECTION ANODE	2		DF140T:421160~, DF140Z:421015~
6	09280-22019-000	O RING	2		DF140T:421160~, DF140Z:421015~
7	55321-87J00-000	ANODE, PROTECTION	2		DF140T:421160~, DF140Z:421015~
8	09128-06021-000	BOLT, PROTECTION ANODE	2		DF140T:421160~, DF140Z:421015~
8	09103-06281-000	BOLT, PROTECTION ANODE	2		MODEL:06~
9	01550-08207-000	BOLT	2		DF140T:421160~, DF140Z:421015~
10	11117-89J00-000	BOLT, CYL HEAD	10		
11	11141-92J01-000	GASKET, CYL HEAD	1		
12	09116-08125-000	BOLT (8X52)	8		
13	04211-13189-000	PIN	2		
14	11170-90J00-000	COVER, CYL HEAD	1		
15	11173-90J00-000	PLATE, BREATHER	1		
16	11179-90J00-000	GASKET, SPARK PLUG HOLE	4		
17	11189-90J00-000	GASKET, CYL HEAD COVER	1		
18	11382-99E00-000	CAP, OIL FILLER	1		
19	18498-90J20-000	PROTECTOR, BREATHER HOSE	1		L:590
20	09280-26006-000	O RING (D:3.1 ID:26.4)	1		
21	09355-13207-00B	HOSE, BREATHER	1		L:2000->60
22	09401-20409-000	CLIP	2		
23	01547-06257-000	BOLT	11		
24	01547-06557-000	BOLT	4		
25	02112-0612A-000	SCREW	7		
26	09482-00427-000	SPARK PLUG (BKR6E)	4		

DP003562.TIF DF140TLK11(E1) K11 2011 / CYLINDER BLOCK



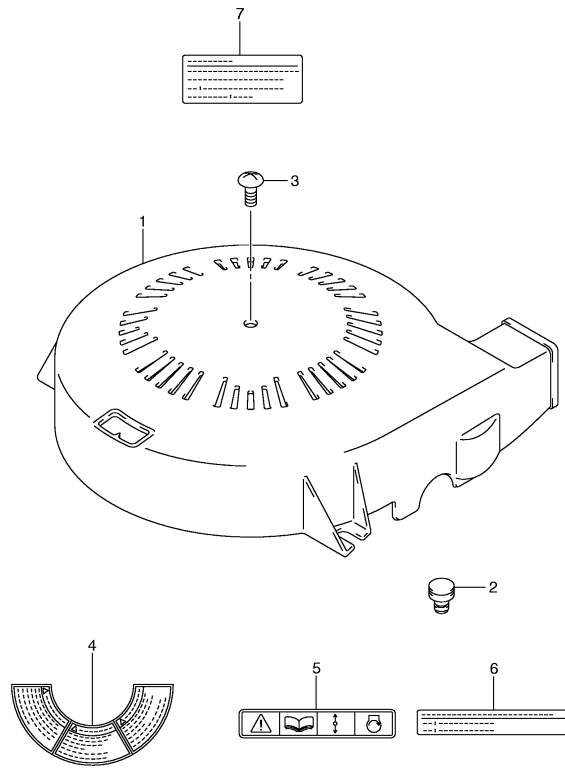
Part List

DP003562.TIF DF140TLK11(E1) K11 2011 / CYLINDER BLOCK

REF NO	PART NO	DESCRIPTION	QTY	KIT	NOTES
1	11291-90J10-000	HOOK, ENGINE	1		
2	01550-12307-000	BOLT	2		
3	11300-92J00-000	BLOCK, CYLINDER	1		
3	11300-92J10-000	BLOCK, CYLINDER	1		MODEL:04~06
3	11300-92J11-000	BLOCK, CYLINDER	1		DF140T:682149~, DF140Z:680234~
4	11117-90J01-000	BOLT, CRANKCASE	10	*	<-1117-90J00
5	11216-77E00-000	GASKET, OIL GALLERY PLUG	3	*	
6	09248-18011-000	PLUG, OIL GALLERY	3	*	
7	11330-90J00-000	COVER, CRKC WTR JKT	1	*	
8	11332-90J00-000	O RING, CRKC WTR JKT COVER	1	*	
9	09206-13019-000	PIN	5	*	
10	01550-06207-000	BOLT	8	*	
11	09116-08124-000	BOLT (8X43)	10	*	
12	11112-90J00-000	PLUG, OIL VENTURI	1	*	
13	09246-05006-000	PLUG	1		

DP005749.TIF DF140TLK11(E1) K11 2011 / RING GEAR COVER

FIG.3



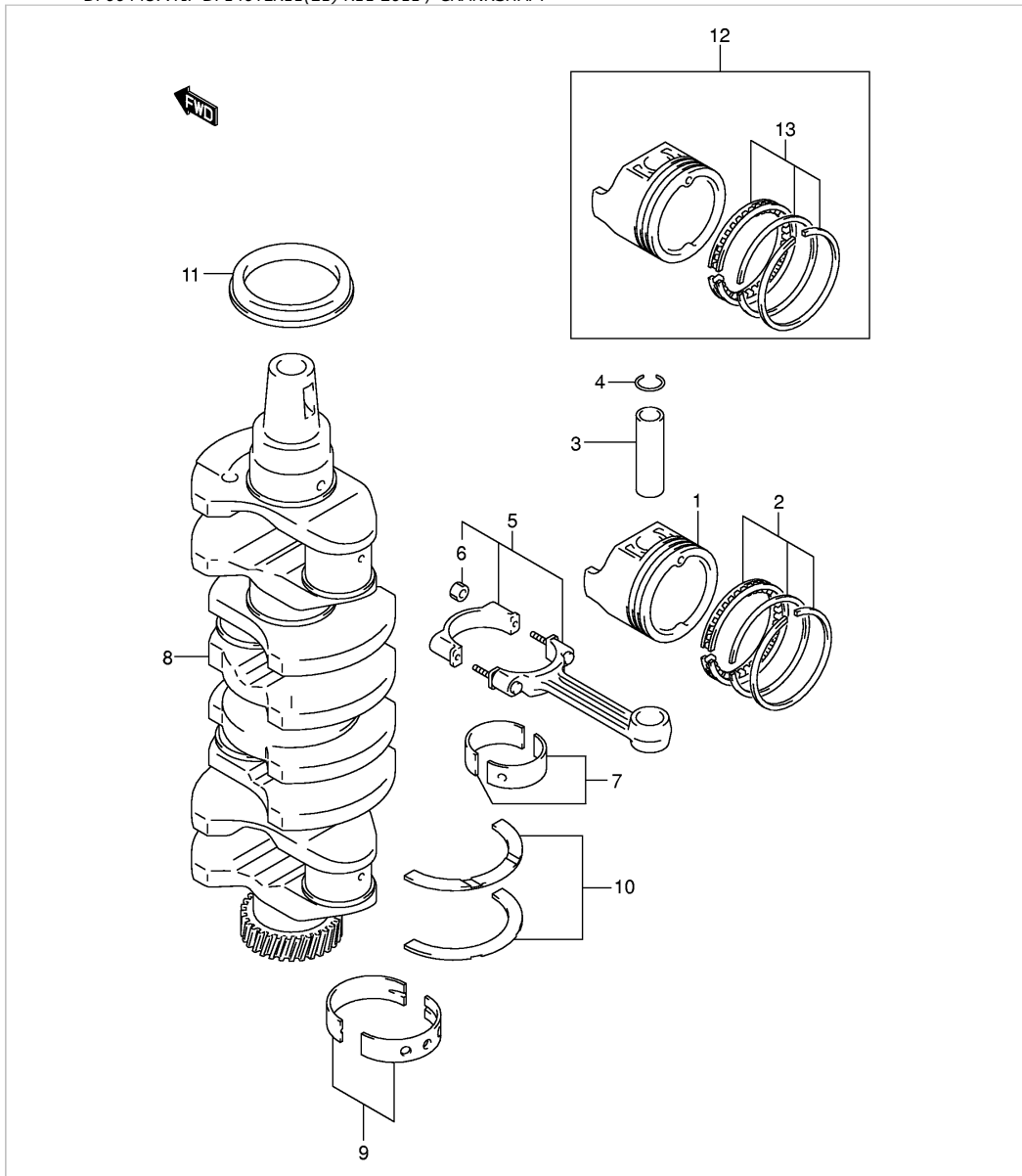
DF140T 140Z E01_003
RING GEAR COVER

Part List

DP005749.TIF DF140TLK11(E1) K11 2011 / RING GEAR COVER

REF NO	PART NO	DESCRIPTION	QTY	KIT	NOTES
1	11510-90J00-000	COVER, RING GEAR	1		
2	11512-99E00-000	CUSHION, RING GEAR COVER	2		
3	09125-06111-000	SCREW (6X18)	1		
4	61472-93E32-000	LABEL, MAG COVER	1		
4	61472-93E40-000	LABEL, MAG COVER	1		E1, DF140T:010534~, DF140Z:010061~
5	69711-93E10-000	LABEL, CAUTION	1		
6	61493-90J00-000	LABEL, CLEARANCE	1		MODEL:09~
7	61494-90J00-000	LABEL, OIL	1		MODEL:09~

DP004457.TIF DF140TLK11(E1) K11 2011 / CRANKSHAFT

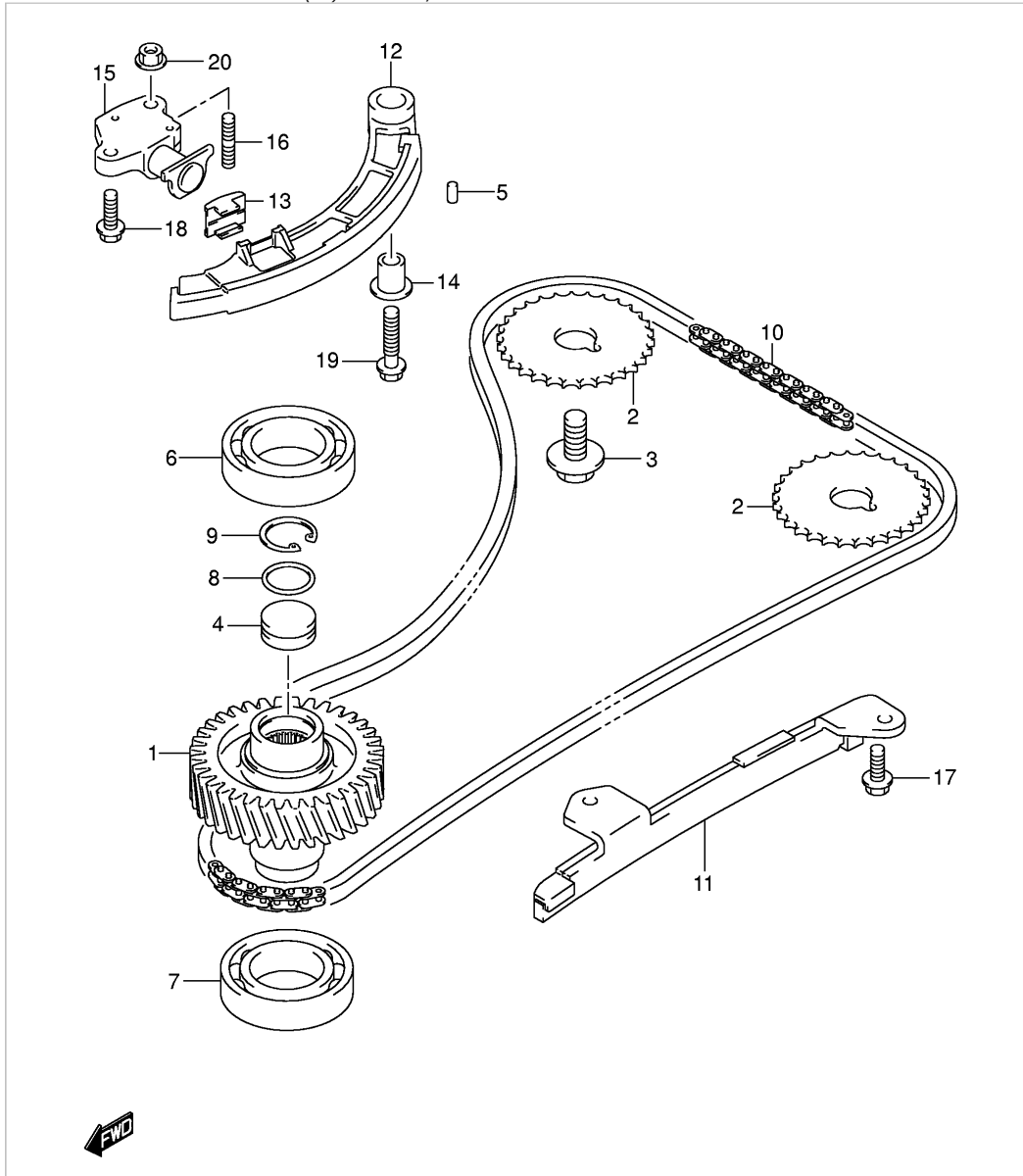


Part List

DP004457.TIF DF140TLK11(E1) K11 2011 / CRANKSHAFT

REF NO	PART NO	DESCRIPTION	QTY	KIT	NOTES
1	12111-92J00-000	PISTON	4		
2	12140-92J00-000	RING SET, PISTON	4		
2	12140-92J01-000	RING SET, PISTON	4		DF140T:511545~, DF140Z:510208~
3	12151-86FA0-000	PIN, PISTON	4		
4	09381-21002-000	CIRCLIP	8		
5	12160-92J00-000	CONNROD ASSY	4		
6	09159-08121-000	NUT	8	*	
7	12100-92841-0A0	BEARING SET, CONNROD	4		
7	12100-92840-025	BEARING SET, CONNROD (US:0.25)	4		OPT
8	12220-92J00-000	CRANKSHAFT	1		
9	12340-85FB3-0A0	BEARING SET, CRANKSHAFT	5		GREEN
9	12340-85FB3-0B0	BEARING SET, CRANKSHAFT	5		BLACK
9	12340-85FB3-0C0	BEARING SET, CRANKSHAFT	5		NON
9	12340-85FB3-0D0	BEARING SET, CRANKSHAFT	5		YELLOW
9	12340-85FB3-0E0	BEARING SET, CRANKSHAFT	5		BLUE
9	12300-85854-0AA	BEARING SET, CRANKSHAFT (US:0.25)	5		OPT
9	12300-85854-0BA	BEARING SET, CRANKSHAFT (US:0.25)	5		OPT
9	12300-85854-0CA	BEARING SET, CRANKSHAFT (US:0.25)	5		OPT
9	12300-85854-0DA	BEARING SET, CRANKSHAFT (US:0.25)	5		OPT
9	12300-85854-0EA	BEARING SET, CRANKSHAFT (US:0.25)	5		OPT
10	12300-85830-000	BEARING SET, CRANK THRUST	1		
10	12300-85830-012	BEARING SET, CRANK THRUST (OS:0.12)	1		OPT
11	09283-52004-000	SEAL, OIL	1		
12	12100-92J00-050	PISTON SET (OS:0.50)	4		OPT
12	12100-92J01-050	PISTON SET (OS:0.50)	4		DF140T:511545~, DF140Z:510208~
13	12140-92J00-050	RING SET, PISTON (OS:0.50)	4	*	OPT
13	12140-92J01-050	RING SET, PISTON (OS:0.50)	4	*	DF140T:511545~, DF140Z:510208~

DP002406.TIF DF140TLK11(E1) K11 2011 / TIMING CHAIN

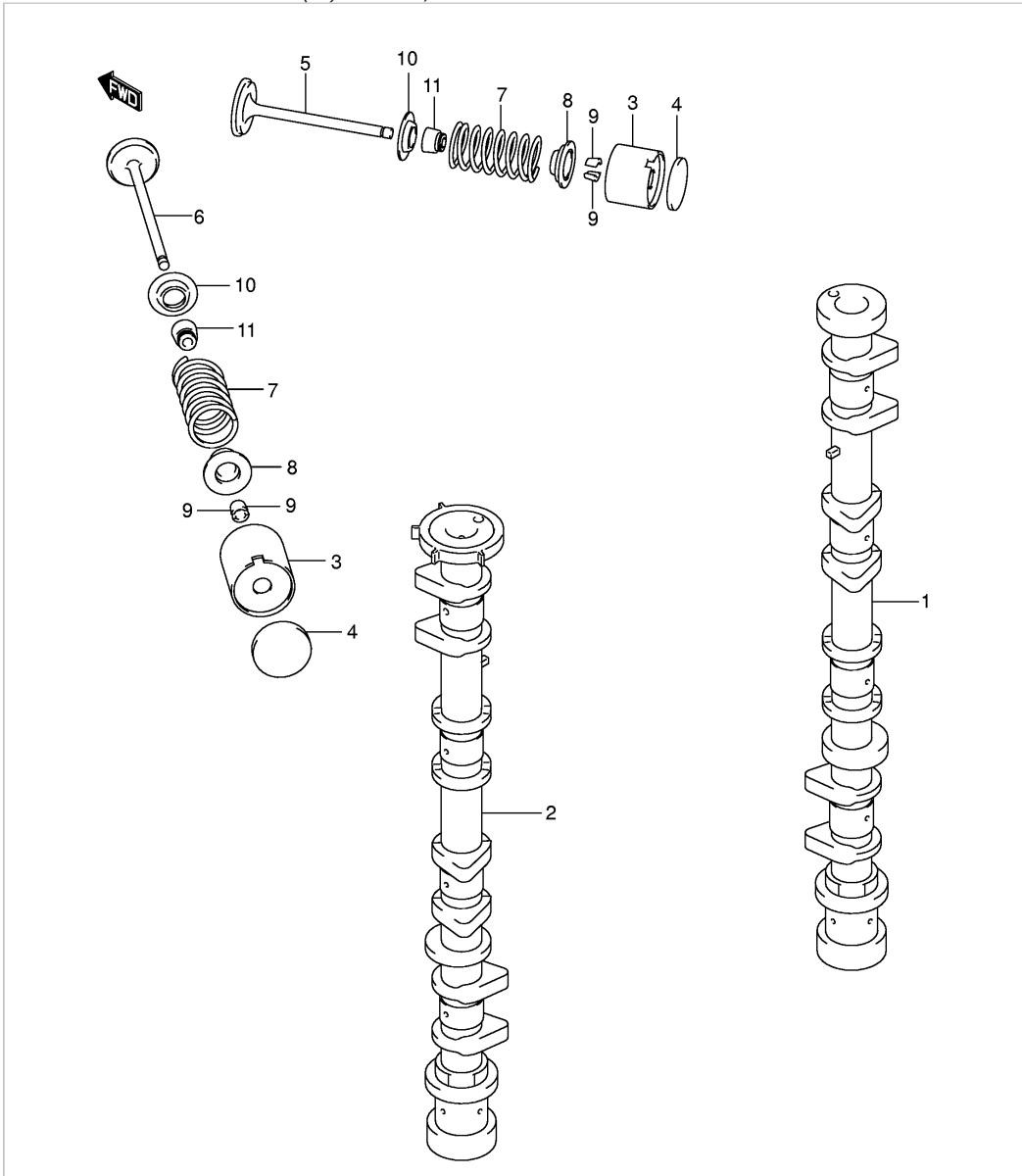


Part List

DP002406.TIF DF140TLK11(E1) K11 2011 / TIMING CHAIN

REF NO	PART NO	DESCRIPTION	QTY	KIT	NOTES
1	12732-90J00-000	GEAR, DRIVEN	1		
2	12741-90J01-000	SPROCKET, CAM SHAFT TIMING	2		
3	09103-12049-000	BOLT (12X25)	2		
4	12733-90J00-000	PLUG, DRIVEN GEAR	1		
5	04221-05109-000	PIN	2		
6	09262-35068-000	BEARING (35X62X14)	1		UPPER
7	09262-35069-000	BEARING (35X62X16)	1		LOWER
8	09280-22022-000	O RING (D:1.9 ID:21.8)	1		
9	08331-4126A-000	CIRCLIP	1		
10	12761-90J00-000	CHAIN, TIMING	1		
11	12771-90J00-000	GUIDE, TIMING CHAIN	1		
12	12810-90J00-000	TENSIONER, TIMING CHAIN	1		
13	12813-73G00-000	PAD, TIMING CHAIN TENSIONER	1	*	
14	12812-90J00-000	SPACER, TIMING CHAIN TENSIONER	1		
15	12831-90J00-000	ADJUSTER, TENSIONER	1		
15	12831-90J01-000	ADJUSTER, TENSIONER	1		DF140T:372389~, DF140Z:371083~
15	12831-90J02-000	ADJUSTER, TENSIONER	1		DF140T:511545~, DF140Z:510208~
16	01421-0616A-000	BOLT, STUD	1		
17	01550-0616A-000	BOLT	2		
18	01550-0620A-000	BOLT	1		
19	01550-0835A-000	BOLT	1		
20	08316-1006A-000	NUT	1		

DP004099.TIF DF140TLK11(E1) K11 2011 / CAMSHAFT

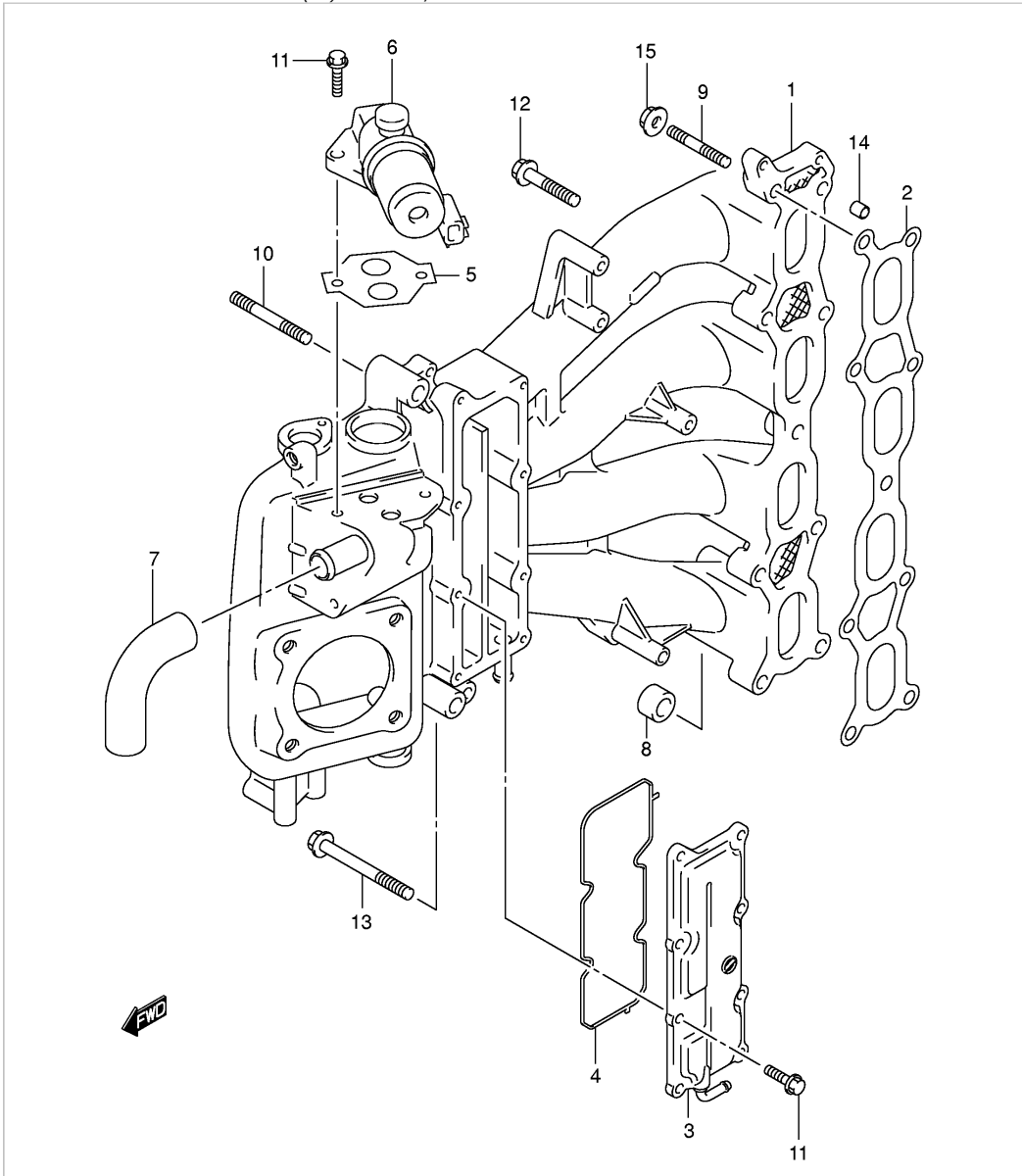


Part List

DP004099.TIF DF140TLK11(E1) K11 2011 / CAMSHAFT

REF NO	PART NO	DESCRIPTION	QTY	KIT	NOTES
1	12711-92J00-000	CAMSHAFT, INTAKE	1		
2	12720-92J00-000	CAMSHAFT, EXHAUST	1		
3	12891-69G00-000	TAPPET	16		
4	12892-69G10-218	SHIM, TAPPET	AR		
4	12892-69G10-220	SHIM, TAPPET	AR		
4	12892-69G10-223	SHIM, TAPPET	AR		
4	12892-69G10-225	SHIM, TAPPET	AR		
4	12892-69G10-228	SHIM, TAPPET	AR		
4	12892-69G10-230	SHIM, TAPPET	AR		
4	12892-69G10-233	SHIM, TAPPET	AR		
4	12892-69G10-235	SHIM, TAPPET	AR		
4	12892-69G10-238	SHIM, TAPPET	AR		
4	12892-69G10-240	SHIM, TAPPET	AR		
4	12892-69G10-243	SHIM, TAPPET	AR		
4	12892-69G10-245	SHIM, TAPPET	AR		
4	12892-69G10-248	SHIM, TAPPET	AR		
4	12892-69G10-250	SHIM, TAPPET	AR		
4	12892-69G10-253	SHIM, TAPPET	AR		
4	12892-69G10-255	SHIM, TAPPET	AR		
4	12892-69G10-258	SHIM, TAPPET	AR		
4	12892-69G10-260	SHIM, TAPPET	AR		
4	12892-69G10-263	SHIM, TAPPET	AR		
4	12892-69G10-265	SHIM, TAPPET	AR		
4	12892-69G10-268	SHIM, TAPPET	AR		
4	12892-69G10-270	SHIM, TAPPET	AR		
4	12892-69G10-273	SHIM, TAPPET	AR		
4	12892-69G10-275	SHIM, TAPPET	AR		
4	12892-69G10-278	SHIM, TAPPET	AR		
4	12892-69G10-280	SHIM, TAPPET	AR		
4	12892-69G10-283	SHIM, TAPPET	AR		
4	12892-69G10-285	SHIM, TAPPET	AR		
4	12892-69G10-288	SHIM, TAPPET	AR		
4	12892-69G10-290	SHIM, TAPPET	AR		
4	12892-69G10-293	SHIM, TAPPET	AR		
4	12892-69G10-295	SHIM, TAPPET	AR		
4	12892-69G10-298	SHIM, TAPPET	AR		
4	12892-69G10-300	SHIM, TAPPET	AR		
5	12911-86FA1-000	VALVE, INTAKE	8		
6	12915-86F50-000	VALVE, EXHAUST	8		DF140T,140Z, MODEL:02,03
6	12915-86FA1-000	VALVE, EXHAUST	8		DF140T,140Z, MODEL:04~
6	12915-86F50-000	VALVE, EXHAUST	8		DF140WT/WZ
7	12921-90J00-000	SPRING, VALVE	16		
8	12931-90J00-000	RETAINER, VALVE SPRING	16		
9	12932-85FA0-000	COTTER, VALVE	32		
10	12933-86510-000	SEAT, VALVE SPRING	16		
11	09289-06003-000	SEAL, VALVE STEM	16		

DP000224.TIF DF140TLK11(E1) K11 2011 / INTAKE MANIFOLD

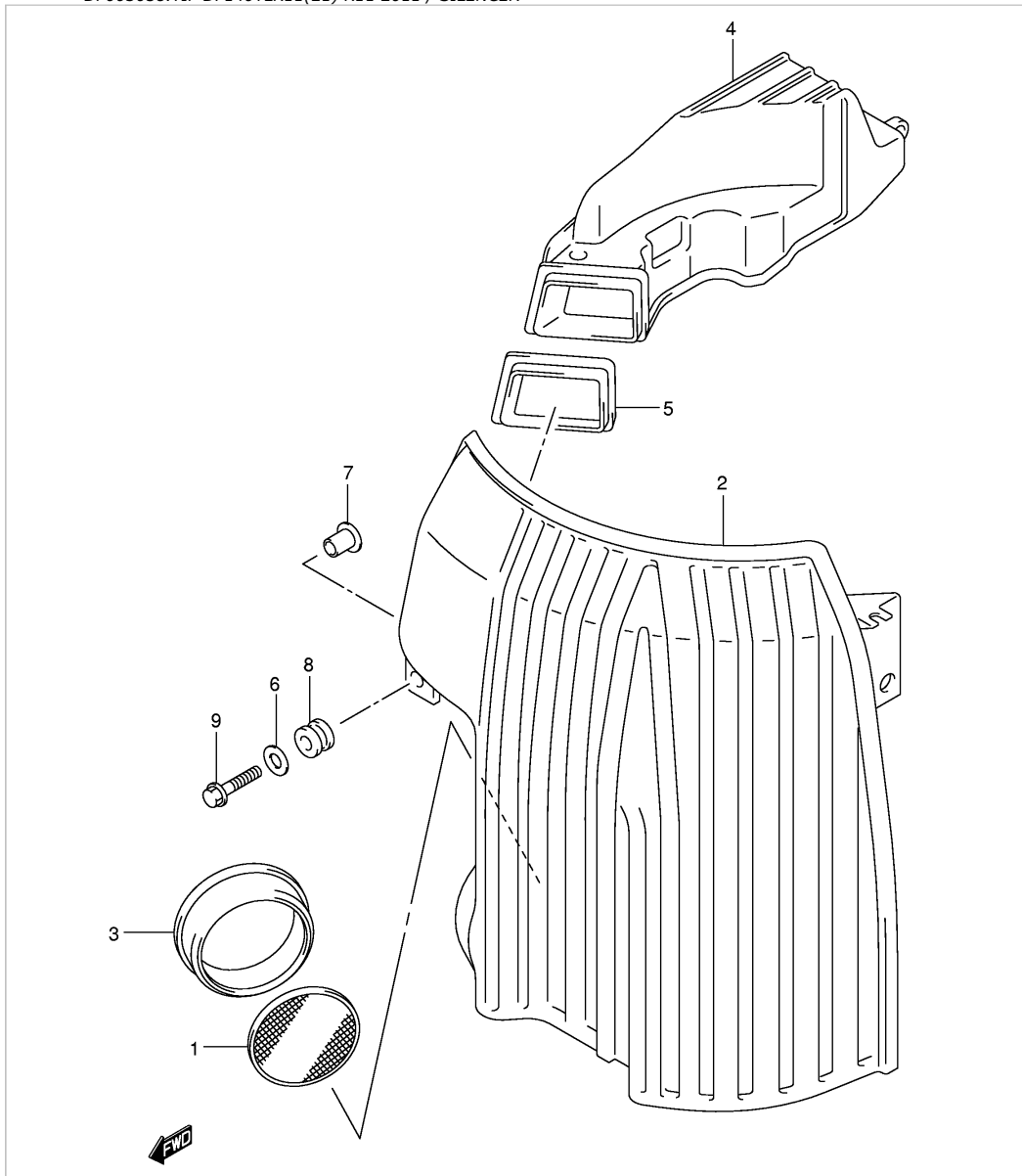


Part List

DP000224.TIF DF140TLK11(E1) K11 2011 / INTAKE MANIFOLD

REF NO	PART NO	DESCRIPTION	QTY	KIT	NOTES
1	13110-90J00-000	MANIFOLD, INTAKE	1		->3110-90J00, USED WITH 01550-08557(4)
1	13110-90J01-000	MANIFOLD, INTAKE	1		DF140T:254115~, DF140Z:251227~
1	13110-90J02-000	MANIFOLD, INTAKE	1		MODEL:05~
2	13119-90J00-000	GASKET, INTAKE MANIFOLD	1		
3	13140-90J00-000	COVER, WTR JKT	1		
4	13145-90J00-000	O RING, WTR JKT COVER	1		
5	18134-77E00-000	GASKET, IAC VALVE	1		
6	18137-77E00-000	VALVE, IAC	1		
7	18141-90J00-000	HOSE, IAC	1		
8	09329-12004-000	CUSHION, INTAKE MANIFOLD	1		
9	01421-08357-000	BOLT, STUD	1		
10	01421-08507-000	BOLT, STUD	1		
11	01550-06207-000	BOLT	10		
12	01550-08407-000	BOLT	8		
13	01550-08757-000	BOLT	1		
14	04211-11129-000	PIN	2		
15	08316-10087-000	NUT	2		

DP003058.TIF DF140TLK11(E1) K11 2011 / SILENCER



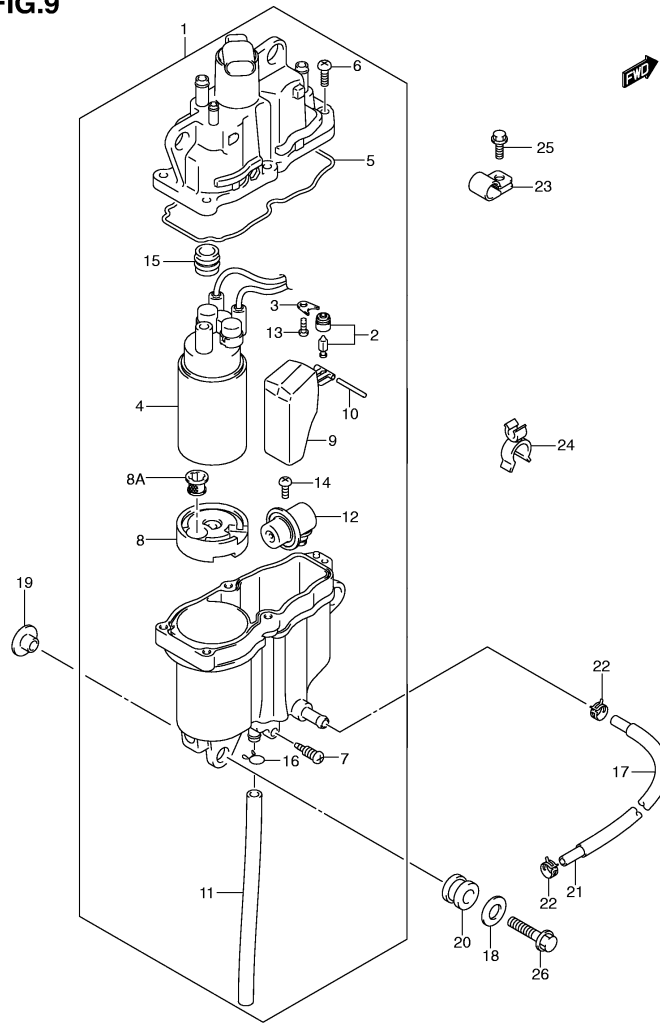
Part List

DP003058.TIF DF140TLK11(E1) K11 2011 / SILENCER

REF NO	PART NO	DESCRIPTION	QTY	KIT	NOTES
1	13710-99E00-000	ARRESTER, FLAME	1		
2	13810-90J00-000	SILENCER	1		
3	13813-90J00-000	HOLDER, FLAME ARRESTER	1		
4	13840-90J00-000	DUCT, SILENCER	1		
5	13851-90J00-000	GROMMET, SILENCER	1		
6	09160-06084-000	WASHER (6.5X18X1.6)	5		DF140T:~783131, DF140Z:~780427
7	09169-06075-000	WASHER	5		
8	09320-09039-000	CUSHION, SILENCER COVER	5		
9	01550-06307-000	BOLT	5		
9	09116-06215-000	BOLT (W/WASHER)	5		DF140T:783132~, DF140Z:780428~

DP005908.TIF DF140TLK11(E1) K11 2011 / FUEL VAPOR SEPARATOR (DF140T/Z)

FIG.9



DF140T 140Z E01_009
FUEL VAPOR SEPARATOR (DF140T/Z)

Part List

DP005908.TIF DF140TLK11(E1) K11 2011 / FUEL VAPOR SEPARATOR (DF140T/Z)

REF NO	PART NO	DESCRIPTION	QTY	KIT	NOTES
1	15600-90J00-000	SEPARATOR, FUEL VAPOR	1		
2	13370-99E00-000	VALVE, NEEDLE	1	*	
3	13373-39110-000	PLATE	1	*	
4	15200-90J00-000	PUMP, FUEL	1	*	
5	15626-90J00-000	SEAL	1	*	
6	15628-99E00-000	SCREW (L:15)	5	*	
7	15629-99E10-000	SCREW, DRAIN	1	*	
8	15641-90J00-000	SPACER	1	*	
8A	15642-90J00-000	FILTER	1	*	
9	15650-99E00-000	FLOAT	1	*	
10	15654-99E00-000	PIN	1	*	
11	15683-87J00-000	HOSE, DRAIN	1	*	
12	15760-87J00-000	REGULATOR	1	*	
13	02112-04083-000	SCREW	1	*	
14	02112-0510A-000	SCREW	1	*	
15	15647-93J00-000	BUSH	1	*	
16	13671-13F00-000	CLIP	1	*	
17	18498-90J00-000	PROTECTOR, EVAP HOSE (L:290)	1		L:290->40, <-8498-90J70
18	09160-06084-000	WASHER (6.5X18X1.6)	3		MODEL:02~05
19	09169-06075-000	WASHER	3		
20	09320-09039-000	CUSHION	3		
21	09352-50823-600	HOSE	1		L:600->40
22	09401-08412-000	CLIP	2		
23	09403-13408-000	CLAMP	1		
24	09408-00124-000	CLAMP	1		
25	01550-06127-000	BOLT	1		
26	01550-06257-000	BOLT	3		
26	09116-06202-000	BOLT (W/WASHER)	3		MODEL:06~

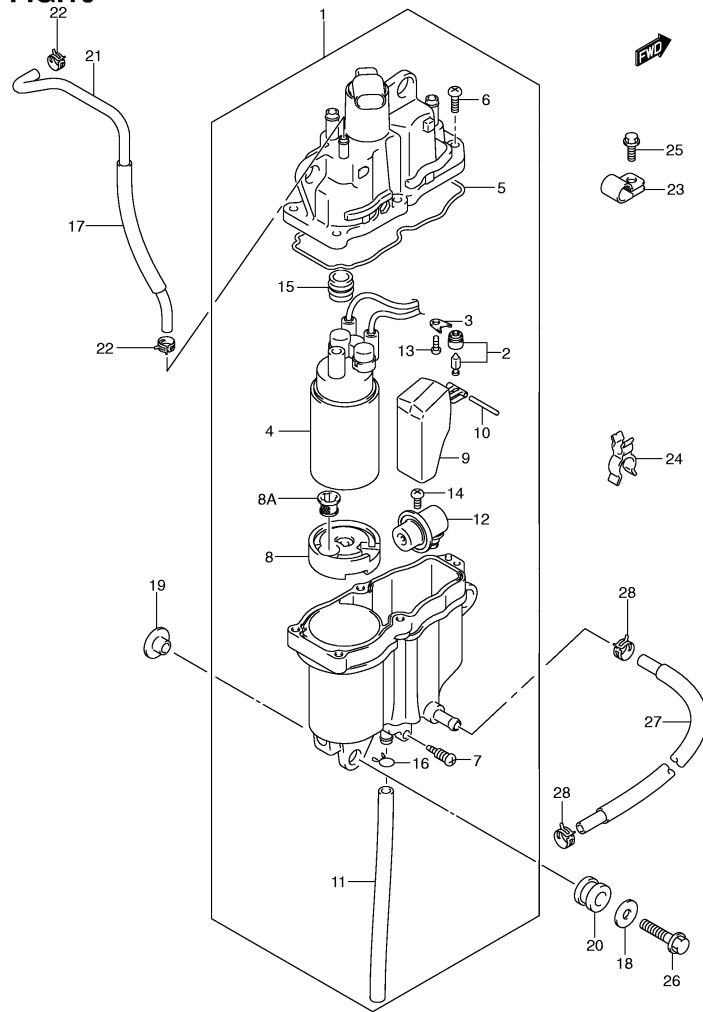
Page Notes

DP005908.TIF DF140TLK11(E1) K11 2011 / FUEL VAPOR SEPARATOR (DF140T/Z)

NOTE TEXT
OEM: REFER TO FIG.10(C- 3) FOR DF140WT/WZ

DP005914.TIF DF140TLK11(E1) K11 2011 / FUEL VAPOR SEPARATOR (DF140WT/WZ)

FIG.10



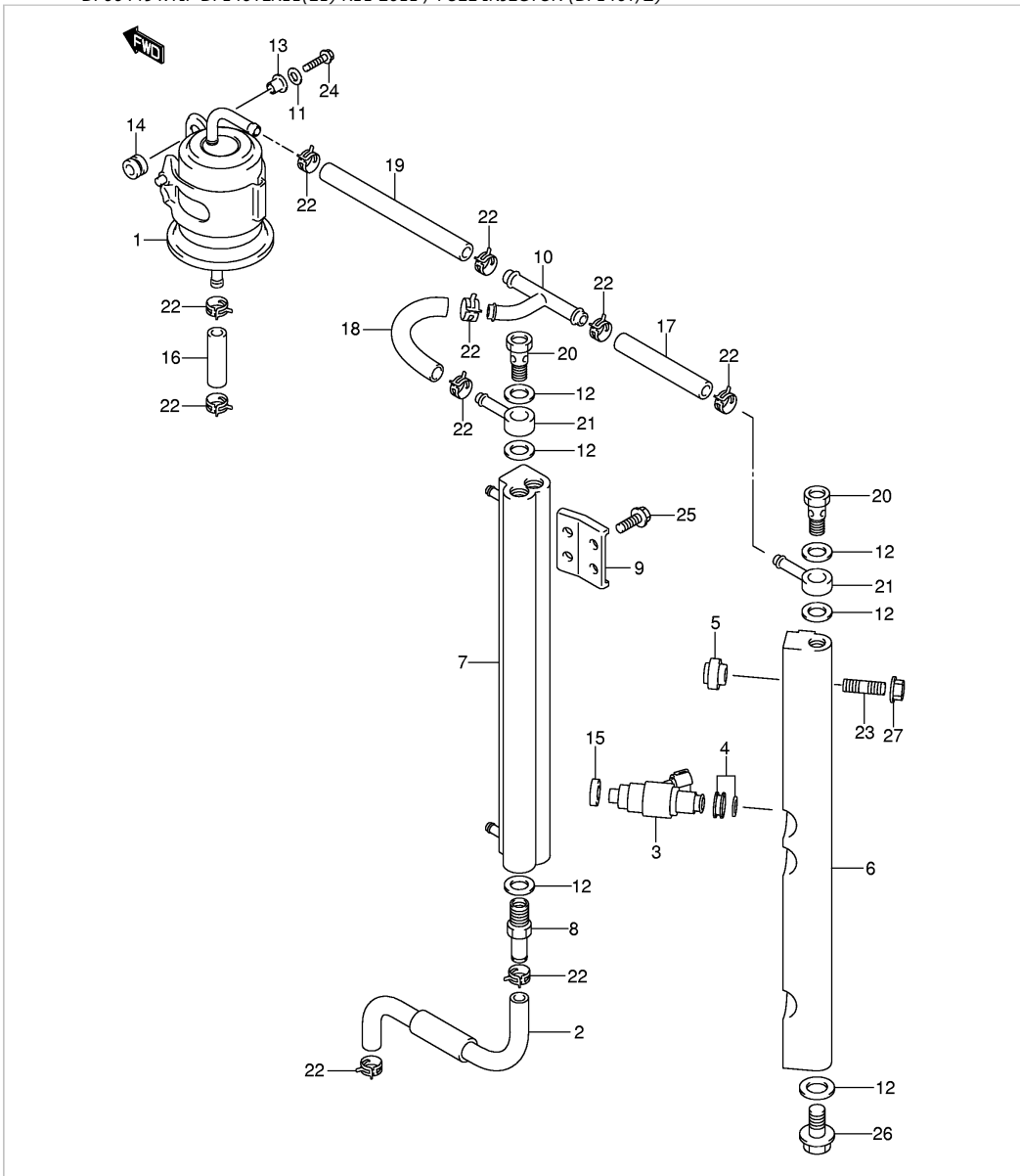
DF140T 140Z E01_010
 FUEL VAPOR SEPARATOR (DF140WT/WZ)

Part List

DP005914.TIF DF140TLK11(E1) K11 2011 / FUEL VAPOR SEPARATOR (DF140WT/WZ)

REF NO	PART NO	DESCRIPTION	QTY	KIT	NOTES
1	15600-90J10-000	SEPARATOR, FUEL VAPOR	1		
2	13370-99E10-000	VALVE, NEEDLE	1	*	
3	13373-99E10-000	PLATE	1	*	
4	15200-90J10-000	PUMP, FUEL	1	*	
5	15626-90J10-000	SEAL	1	*	
6	15628-99E00-000	SCREW (L:15)	5	*	
7	15629-99E10-000	SCREW, DRAIN	1	*	
8	15641-90J10-000	SPACER, FUEL PUMP	1	*	
8A	15642-90J00-000	FILTER, FUEL PUMP	1	*	
9	15650-99E00-000	FLOAT	1	*	
10	15654-99E00-000	PIN	1	*	
11	15683-87J00-000	HOSE, DRAIN	1	*	L:240->75
12	15760-87J00-000	REGULATOR	1	*	
13	13614-89J00-000	SCREW	1	*	
14	15631-99E10-000	SCREW, REGULATOR	1	*	
15	15647-93J10-000	BUSH	1	*	
16	13671-13F00-000	CLIP	1	*	
17	18498-90J00-000	PROTECTOR, EVAP HOSE (L:290)	1		L:290->40
18	09160-06084-000	WASHER (6.5X18X1.6)	3		MODEL:03~05
19	09169-06075-000	WASHER	3		
20	09320-09039-000	CUSHION	3		
21	09352-50823-600	HOSE, EVAPORATION (5.0X8.2X600)	1		L:600->40
22	09401-08412-000	CLIP	2		
23	09403-13408-000	CLAMP	1		
24	09408-00124-000	CLAMP	1		
25	01550-06127-000	BOLT	1		
26	01550-06257-000	BOLT	3		
26	09116-06202-000	BOLT (W/WASHER)	3		MODEL:06~
27	15680-90J01-000	HOSE, FUEL	1		
28	09401-11425-000	CLIP	2		

DP004494.TIF DF140TLK11(E1) K11 2011 / FUEL INJECTOR (DF140T/Z)



Part List

DP004494.TIF DF140TLK11(E1) K11 2011 / FUEL INJECTOR (DF140T/Z)

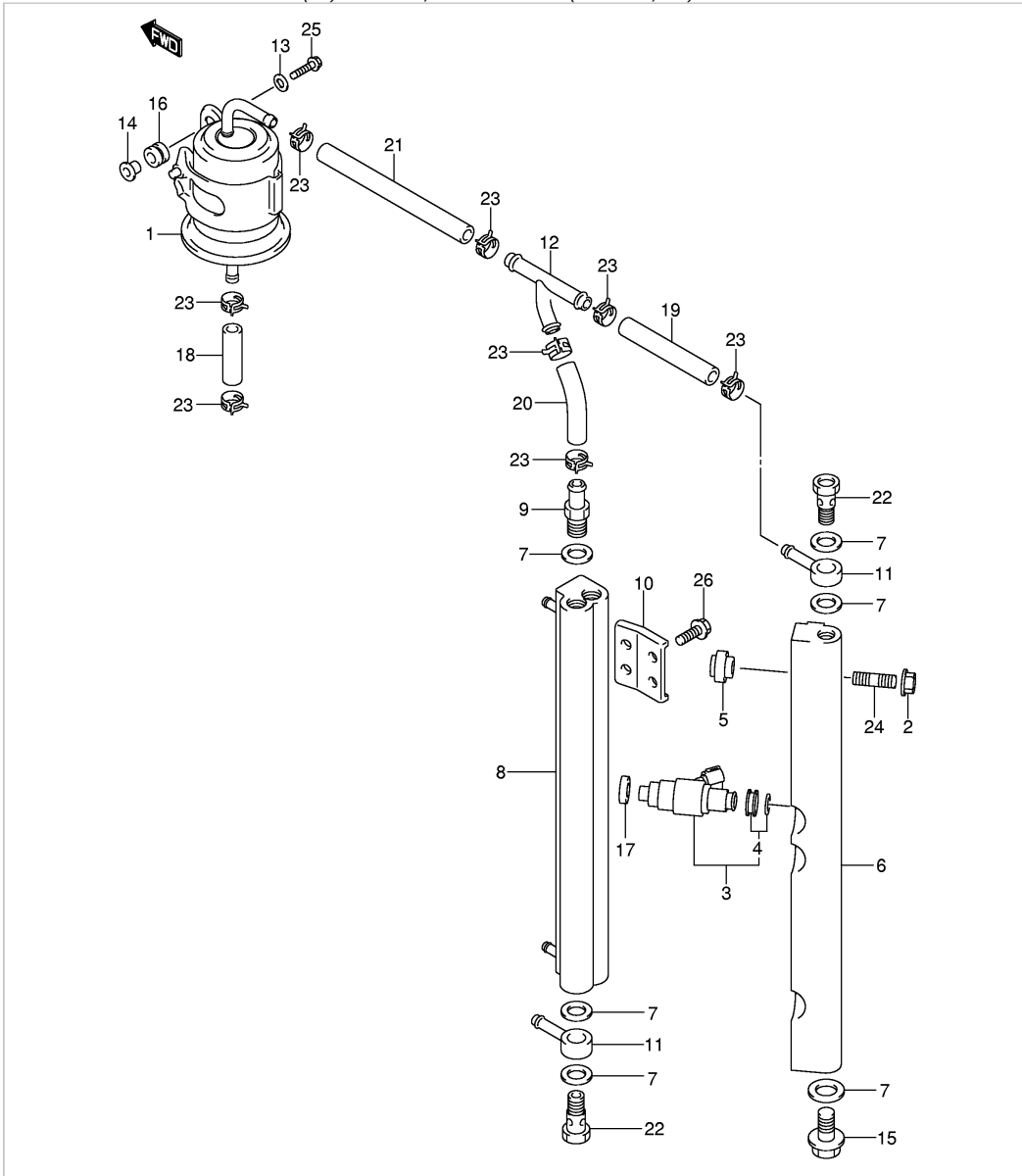
REF NO	PART NO	DESCRIPTION	QTY	KIT	NOTES
1	15440-90J00-000	FILTER, FUEL	1		
2	15680-90J01-000	HOSE, FUEL	1		
3	15710-65D00-000	INJECTOR, FUEL	4		
4	15716-65DT0-000	GROMMET SET	4	*	
5	15735-58B00-000	INSULATOR, DELIVERY PIPE	2		
6	15751-90J03-000	PIPE, DELIVERY	1		
7	15770-90J02-000	COOLER, FUEL	1		
8	15773-90J00-000	UNION, FUEL HOSE	1		
9	15775-90J00-000	BRACKET, FUEL COOLER	2		
10	15830-99E00-000	UNION, 3 WAY FUEL HOSE	1		
11	09160-06084-000	WASHER (6.5X18X1.6)	2		MODEL:02~05
12	09168-12013-000	GASKET	6		
13	09169-06062-000	WASHER	2		
14	09320-08501-000	CUSHION	2		
15	09320-08062-000	CUSHION	4		
16	09356-75137-600	HOSE (SEPARATOR TO FILTER)	1		L:600->0
16	09343-75001-600	HOSE (SEPARATOR TO FILTER)	1		DF140T:110001~, DF140Z:110001~
17	09356-75137-600	HOSE (3 WAY TO DLVY PIPE)	1		L:600->0
17	09343-75001-600	HOSE (3 WAY TO DLVY PIPE)	1		DF140T:110001~, DF140Z:110001~
18	09356-75137-600	HOSE (3 WAY TO COOLER)	1		L:600->0
18	09343-75001-600	HOSE (3 WAY TO COOLER)	1		DF140T:110001~, DF140Z:110001~
19	09356-75137-600	HOSE (FILTER TO 3 WAY)	1		L:600->10
19	09343-75001-600	HOSE (FILTER TO 3 WAY)	1		DF140T:110001~, DF140Z:110001~
20	09360-12008-000	UNION	2		
21	09363-08004-000	UNION	2		
22	09401-11425-000	CLIP	10		
23	01421-08357-000	STUD BOLT	2		
24	01500-06257-000	BOLT	2		
24	09116-06202-000	BOLT (W/WASHER)	2		MODEL:06~
25	01550-06167-000	BOLT	6		
26	01550-12167-000	BOLT	1		
27	08316-10087-000	NUT	2		

Page Notes

DP004494.TIF DF140TLK11(E1) K11 2011 / FUEL INJECTOR (DF140T/Z)

NOTE TEXT
OEM: REFER TO FIG.12(C- 6) FOR DF140WT/WZ

DP004137.TIF DF140TLK11(E1) K11 2011 / FUEL INJECTOR (DF140WT/WZ)



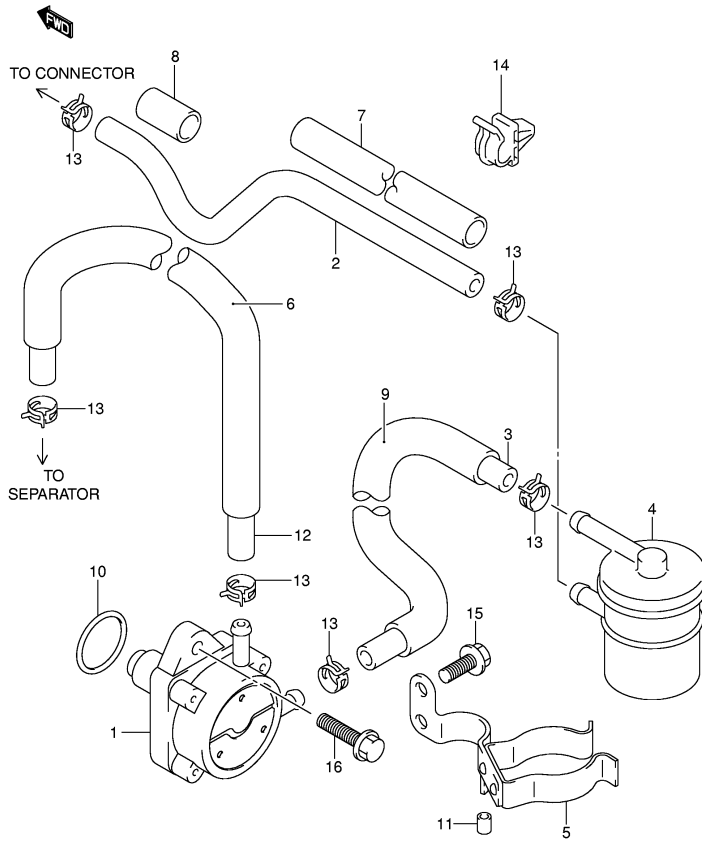
Part List

DP004137.TIF DF140TLK11(E1) K11 2011 / FUEL INJECTOR (DF140WT/WZ)

REF NO	PART NO	DESCRIPTION	QTY	KIT	NOTES
1	15440-90J10-000	FILTER, FUEL	1		
2	08316-10087-000	NUT	2		
3	15710-65D00-000	INJECTOR, FUEL	4		
4	15716-65DT0-000	GROMMET SET	4	*	
5	15735-58B00-000	INSULATOR, DELIVERY PIPE	2		
6	15751-90J03-000	PIPE, DELIVERY	1		
7	15762-90J00-000	GASKET, UNION	6		
8	15770-90J02-000	COOLER, FUEL	1		
9	15773-90J00-000	UNION, FUEL HOSE	1		
10	15775-90J00-000	BRACKET, FUEL COOLER	2		
11	15830-90J00-000	JOINT, FUEL MAIN	2		
12	15830-99E00-000	UNION, 3 WAY FUEL HOSE	1		
13	09160-06084-000	WASHER (6.5X18X1.6)	2		MODEL:03~05
14	09169-06062-000	WASHER	2		
15	09247-12013-000	PLUG, DELIVERY PIPE	1		
16	09320-08501-000	CUSHION	2		
17	09320-08062-000	CUSHION	4		
18	09356-75137-600	HOSE (SEPARATOR TO FILTER)	1		L:600->0
18	09343-75001-600	HOSE (SEPARATOR TO FILTER)	1		DF140T:110001~, DF140Z:110001~
19	09356-75137-600	HOSE (3 WAY TO DLVY PIPE)	1		L:600->0
19	09343-75001-600	HOSE (3 WAY TO DLVY PIPE)	1		DF140T:110001~, DF140Z:110001~
20	09356-75137-600	HOSE (3 WAY TO COOLER)	1		L:600->0
20	09343-75001-600	HOSE (3 WAY TO COOLER)	1		DF140T:110001~, DF140Z:110001~
21	09356-75137-600	HOSE (FILTER TO 3 WAY)	1		L:600->10
21	09343-75001-600	HOSE (FILTER TO 3 WAY)	1		DF140T:110001~, DF140Z:110001~
22	09360-12013-000	UNION	2		
23	09401-11425-000	CLIP	8		
24	01421-08357-000	BOLT, STUD	2		
25	01500-06257-000	BOLT	2		
25	09116-06202-000	BOLT (W/WASHER)	2		MODEL:06~
26	01550-06167-000	BOLT	6		

DP003976.TIF DF140TLK11(E1) K11 2011 / FUEL PUMP (DF140T/Z)

FIG.13



DF140T 140Z E01_013
FUEL PUMP (1)

Part List

DP003976.TIF DF140TLK11(E1) K11 2011 / FUEL PUMP (DF140T/Z)

REF NO	PART NO	DESCRIPTION	QTY	KIT	NOTES
1	15100-90J10-000	PUMP, FUEL	1		<-5100-90J00
2	15191-90J00-000	HOSE, FUEL (CONN TO FILTER)	1		
3	15192-90J00-000	HOSE, FUEL (FILTER TO PUMP)	1		
4	15410-87J10-000	FILTER, FUEL	1		
5	15420-90J01-000	BRACKET, FUEL FILTER	1		
5	15420-90J10-000	BRACKET, FUEL FILTER	1		MODEL:04~06
6	18498-99E10-000	PROTECTOR, FUEL HOSE (610)	1		L:610->50, <-8498-90J10
7	18498-99E10-000	PROTECTOR, FUEL HOSE (610)	1		L:610->10, <-8498-90J30
8	18498-99E10-000	PROTECTOR, FUEL HOSE (610)	1		L:610->60, <-8498-90J40
9	18498-99E10-000	PROTECTOR, FUEL HOSE (610)	1		L:610->30, <-8498-90J50
10	09280-26005-000	O RING	1		
11	09320-05016-000	CUSHION	1		
12	09355-70125-600	HOSE, FUEL (PUMP TO SEPARATOR)	1		L:600->30
13	09401-11407-000	CLIP	6		
14	09403-11314-000	CLAMP	1		
15	01550-06167-000	BOLT	2		
16	01550-06257-000	BOLT	2		

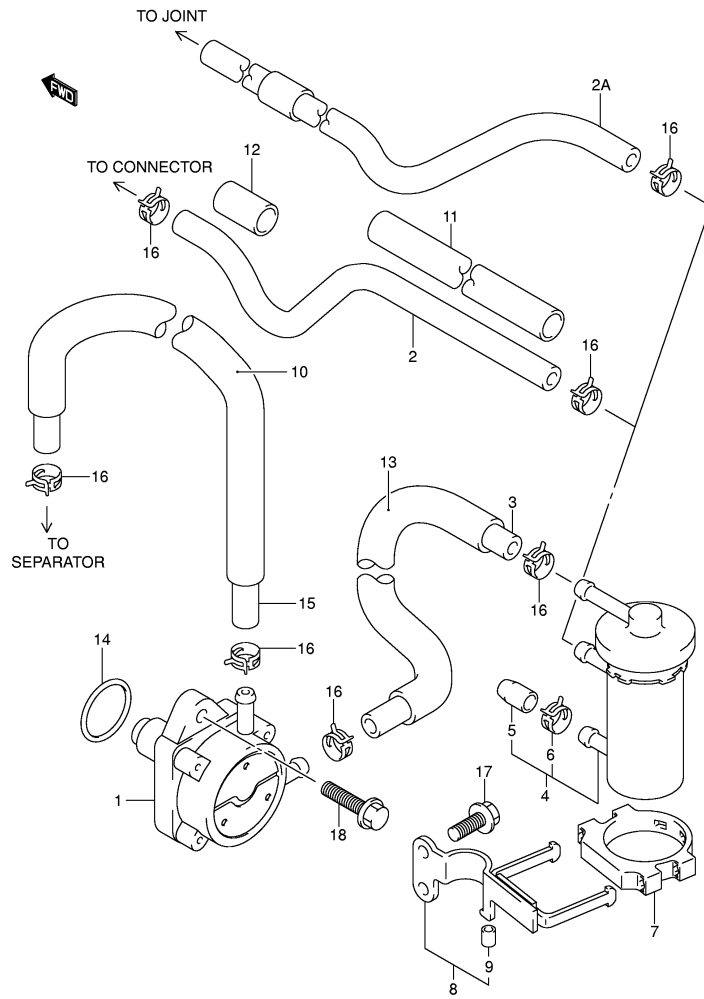
Page Notes

DP003976.TIF DF140TLK11(E1) K11 2011 / FUEL PUMP (DF140T/Z)

NOTE TEXT
OEM: REFER TO FIG.14(C- 8) FOR DF140T:682149%,DF140Z:680234%
OEM: REFER TO FIG.15(C- 9) FOR DF140WT:%682148,DF140WZ:%680233
OEM: REFER TO FIG.16(C-10) FOR DF140WT:682149%,DF140WZ:680234%

DP000385.TIF DF140TLK11(E1) K11 2011 / FUEL PUMP (DF140T:682149~,DF140Z:680234~)

FIG.14



DF140T 140Z E01_014
FUEL PUMP (2)

Part List

DP000385.TIF DF140TLK11(E1) K11 2011 / FUEL PUMP

(DF140T:682149~,DF140Z:680234~)

REF NO	PART NO	DESCRIPTION	QTY	KIT	NOTES
1	15100-90J1V-000	PUMP, FUEL	1		<-5100-90J00
2	15191-90J00-000	HOSE, FUEL (CONN TO FILTER)	1		
2A	15190-90J00-000	HOSE, FUEL (JOINT TO FILTER)	1		MODEL:07~09
2A	15190-90J20-000	HOSE, FUEL (JOINT TO FILTER)	1		MODEL:10
2A	15190-90J30-000	HOSE, FUEL (JOINT TO FILTER)	1		DF140T:110001~, DF140Z:110001~
3	15192-90J00-000	HOSE, FUEL (FILTER TO PUMP)	1		->5192-90800
3	15192-90J11-000	HOSE, FUEL (FILTER TO PUMP)	1		MODEL:10~
4	15410-87J30-000	FILTER, FUEL	1		
5	15419-87J00-000	CAP, FUEL FILTER	1	*	
6	09401-11423-000	CLIP, FILTER CAP	1	*	
7	15422-96J00-000	CLAMP, FUEL FILTER	1		
8	15420-90J30-000	BRACKET, FUEL FILTER	1		
9	09320-05016-000	CUSHION, BRACKET	1	*	
10	18498-99E10-000	PROTECTOR, FUEL HOSE (610)	1		L:610->50, <-8498-90J10
11	18498-99E10-000	PROTECTOR, FUEL HOSE (610)	1		L:610->10, <-8498-90J30
12	18498-99E10-000	PROTECTOR, FUEL HOSE (610)	1		L:610->60, <-8498-90J40
12	18498-99E10-000	PROTECTOR, FUEL HOSE (610)	1		L:610->80, MODEL:07~
13	18498-99E10-000	PROTECTOR, FUEL HOSE (610)	1		L:610->30, <-8498-90J50
14	09280-26005-000	O RING	1		
15	09355-70129-600	HOSE, FUEL (PUMP TO SEPARATOR)	1		L:600->40
15	09343-70503-600	HOSE, FUEL (PUMP TO SEPARATOR)	1		DF140T:110001~, DF140Z:110001~
16	09401-11423-000	CLIP	6		
16	09401-11423-000	CLIP	5		MODEL:07~
17	01550-06167-000	BOLT	2		
18	01550-06257-000	BOLT	2		

Page Notes

DP000385.TIF DF140TLK11(E1) K11 2011 / FUEL PUMP

(DF140T:682149~,DF140Z:680234~)

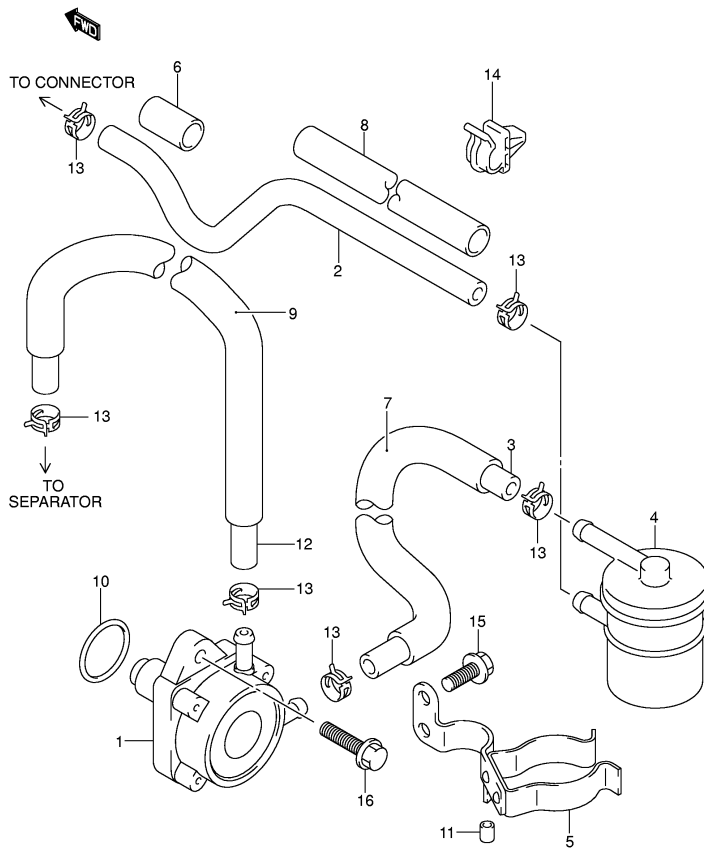
NOTE TEXT

OEM: REFER TO FIG.15(C- 9) FOR DF140WT:%682148,DF140WZ:%680233

OEM: REFER TO FIG.16(C-10) FOR DF140WT:682149%,DF140WZ:680234%

DP002129.TIF DF140TLK11(E1) K11 2011 / FUEL PUMP (DF140WT/WZ)

FIG.15



DF140T 140Z E01_015
FUEL PUMP (3)

Part List

DP002129.TIF DF140TLK11(E1) K11 2011 / FUEL PUMP (DF140WT/WZ)

REF NO	PART NO	DESCRIPTION	QTY	KIT	NOTES
1	15100-90J10-000	PUMP, FUEL	1		
2	15191-90J10-000	HOSE, FUEL (CONN TO FILTER)	1		
3	15192-90J10-000	HOSE, FUEL (FILTER TO PUMP)	1		
4	15410-87J20-000	FILTER, FUEL	1		
5	15420-90J01-000	BRACKET, FUEL FILTER	1		
5	15420-90J10-000	BRACKET, FUEL FILTER	1		MODEL:04~06
6	18498-99E10-000	PROTECTOR, FUEL HOSE	1		L:610->60
7	18498-99E10-000	PROTECTOR, FUEL HOSE	1		L:610->30
8	18498-99E10-000	PROTECTOR, FUEL HOSE	1		L:610->10
9	18498-99E10-000	PROTECTOR, FUEL HOSE	1		L:610->50
10	09280-26005-000	O RING (D:2.4,ID:26.2)	1		
11	09320-05016-000	CUSHION	1		
12	09355-70129-600	HOSE, FUEL (PUMP TO SEPARATOR)	1		L:600->40
13	09401-11407-000	CLIP	6		
14	09403-11314-000	CLAMP	1		
15	01550-06167-000	BOLT	2		
16	01550-06257-000	BOLT	2		

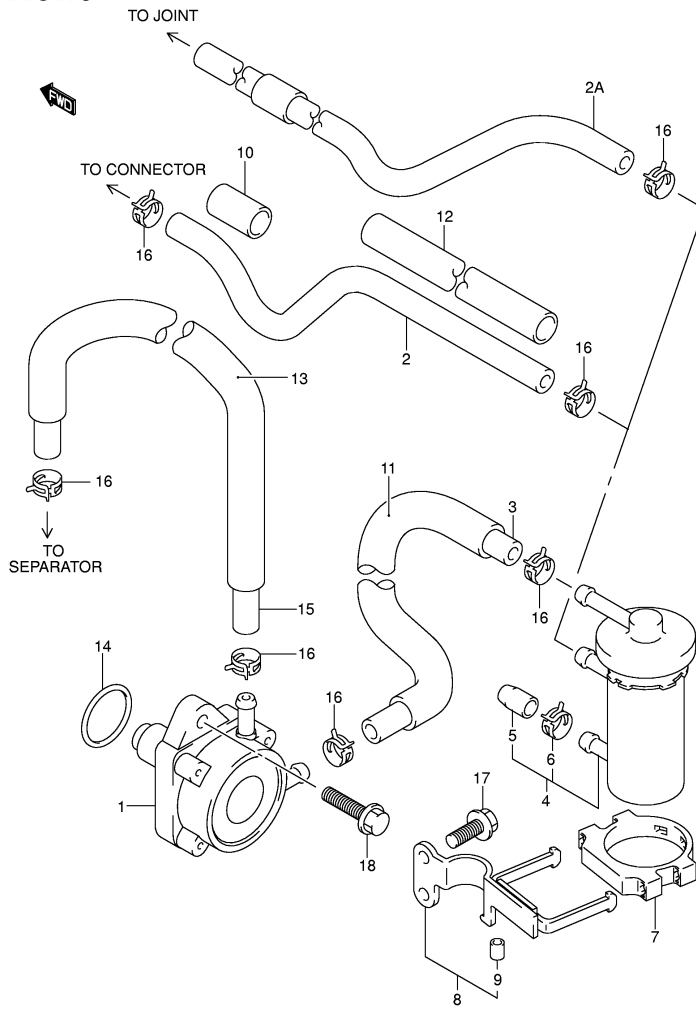
Page Notes

DP002129.TIF DF140TLK11(E1) K11 2011 / FUEL PUMP (DF140WT/WZ)

NOTE TEXT
OEM: REFER TO FIG.16(C-10) FOR DF140WT:682149%,DF140WZ:680234%

DP000954.TIF DF140TLK11(E1) K11 2011 / FUEL PUMP (DF140WT:682149~,DF140WZ:680234~)

FIG.16



DF140T 140Z E01_016
FUEL PUMP (4)

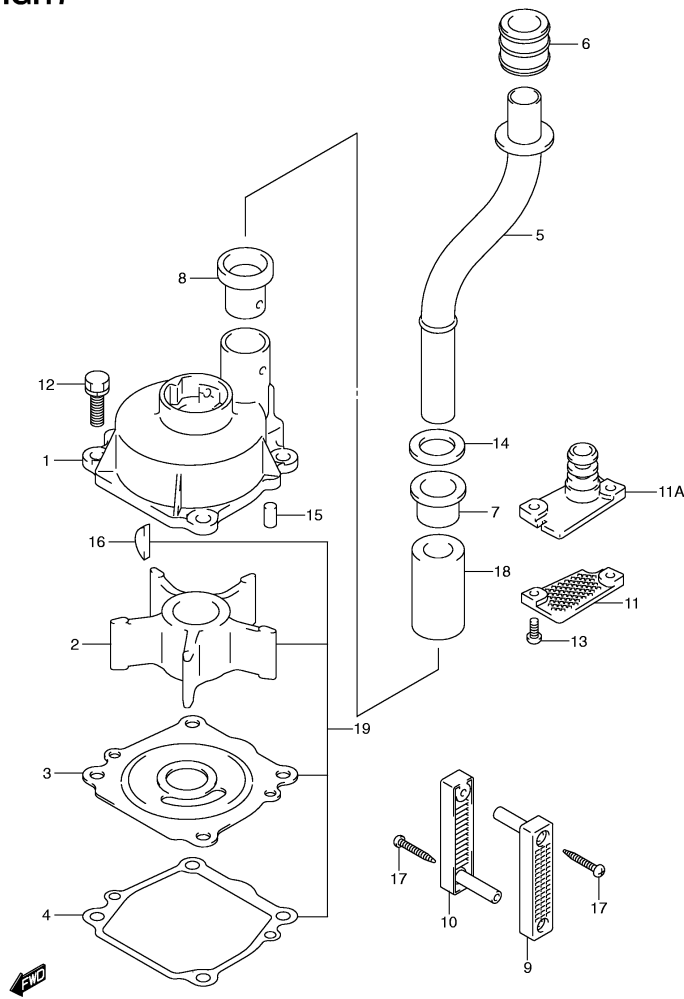
Part List

DP000954.TIF DF140TLK11(E1) K11 2011 / FUEL PUMP
(DF140WT:682149~,DF140WZ:680234~)

REF NO	PART NO	DESCRIPTION	QTY	KIT	NOTES
1	15100-90J1V-000	PUMP, FUEL	1		
2	15191-90J10-000	HOSE, FUEL (CONN TO FILTER)	1		
2A	15190-90J20-000	HOSE, FUEL	1		MODEL:07~
2A	15190-90J30-000	HOSE, FUEL (JOINT TO FILTER)	1		DF140T:110001~, DF140Z:110001~
3	15192-90J11-000	HOSE, FUEL (FILTER TO PUMP)	1		
4	15410-87J30-000	FILTER, FUEL	1		
5	15419-87J00-000	CAP, FUEL FILTER	1	*	
6	09401-11423-000	CLIP, FILTER CAP	1	*	
7	15422-96J00-000	CLAMP, FUEL FILTER	1		
8	15420-90J30-000	BRACKET, FUEL FILTER	1		
9	09320-05016-000	CUSHION, BRACKET	1	*	
10	18498-99E10-000	PROTECTOR, FUEL HOSE	1		L:610->60
10	18498-99E10-000	PROTECTOR, FUEL HOSE	1		L:610->80, MODEL:07~
11	18498-99E10-000	PROTECTOR, FUEL HOSE	1		L:610->30
12	18498-99E10-000	PROTECTOR, FUEL HOSE	1		L:610->10
13	18498-99E10-000	PROTECTOR, FUEL HOSE	1		L:610->50
14	09280-26005-000	O RING (D:2.4,ID:26.2)	1		
15	09355-70129-600	HOSE, FUEL (PUMP TO SEPARATOR)	1		L:600->40
15	09343-70503-600	HOSE, FUEL (PUMP TO SEPARATOR)	1		DF140T:110001~, DF140Z:110001~
16	09401-11423-000	CLIP	6		
16	09401-11423-000	CLIP	5		MODEL:07~
17	01550-06167-000	BOLT	2		
18	01550-06257-000	BOLT	2		

DP005903.TIF DF140TLK11(E1) K11 2011 / WATER PUMP (DF140T/Z)

FIG.17

DF140T 140Z E01_017
WATER PUMP (1)

Part List

DP005903.TIF DF140TLK11(E1) K11 2011 / WATER PUMP (DF140T/Z)

REF NO	PART NO	DESCRIPTION	QTY	KIT	NOTES
1	17411-90J00-000	CASE, WATER PUMP	1		->7400-90810, WATER PUMP CASE SET
2	17461-90J01-000	IMPELLER, WATER PUMP	1		
3	17471-87E01-000	PANEL, PUMP CASE UNDER	1		
3	17471-87E10-000	PANEL, PUMP CASE UNDER	1		OPT
4	17472-87E10-000	GASKET, PUMP CASE PANEL	1		
5	17560-90J01-000	TUBE, WATER (L)	1		
5	17560-90J11-000	TUBE, WATER (X)	1		
6	17562-90J00-000	BUSH, WATER TUBE UPPER	1		
7	17563-87D00-000	BUSH, WATER TUBE LOWER	1		
8	17564-87D00-000	BUSH, WATER PUMP CASE	1		
9	17631-90J00-000	FILTER, WATER PORT SIDE	1		
10	17632-90J00-000	FILTER, WATER STBD SIDE	1		
11	17635-87E00-000	FILTER, WATER SUB	1		
11A	17635-90J00-000	PLUG, SUB WATER TUBE	1		DF140T:376160~, DF140Z:371393~
12	09117-08057-000	BOLT (8X25)	4		
13	09125-05046-000	SCREW (5X12)	2		
14	09161-16008-000	WASHER (15.8X26X1.0)	1		
15	09202-06031-000	PIN, KNOCK	2		
16	09420-05009-000	KEY	1		
17	03112-04303-000	SCREW	2		
17	09132-04034-000	SCREW (4X18)	2		DF140T:371937~, DF140Z:371064~
18	17612-90J00-000	SPACER, WATER TUBE (X)	1		
19	17400-90J11-000	WATER PUMP REPAIR KIT	1		OPT

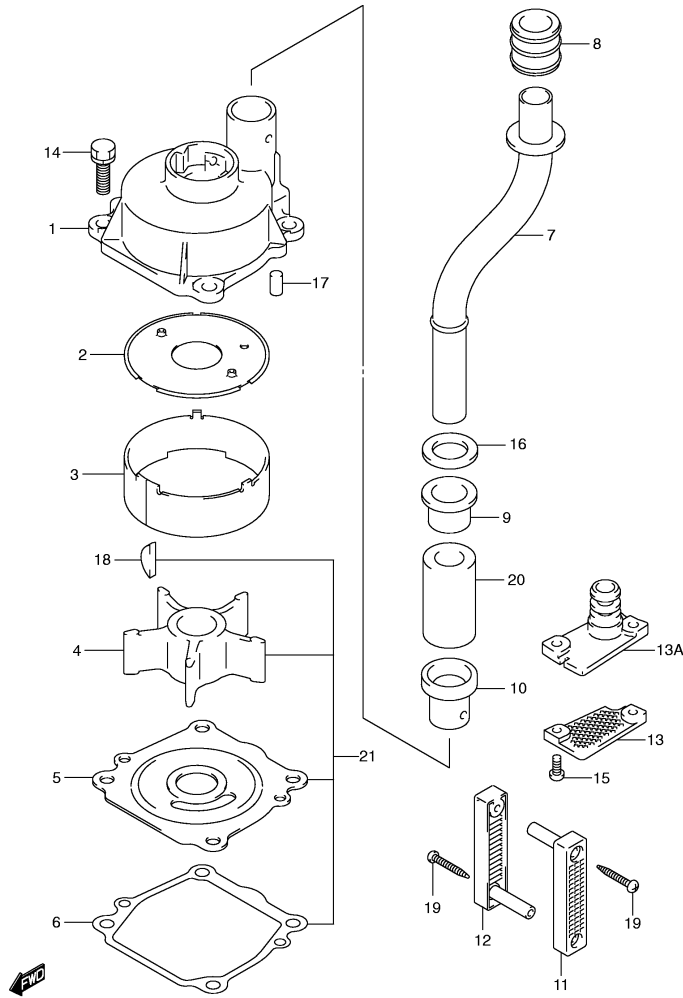
Page Notes

DP005903.TIF DF140TLK11(E1) K11 2011 / WATER PUMP (DF140T/Z)

NOTE TEXT
OEM: REFER TO FIG.18(D- 3) FOR DF140WT:%682148,DF140WZ:%680233
OEM: REFER TO FIG.19(D- 4) FOR DF140T/WT:682149%,DF140Z/WZ:680234%

DP005911.TIF DF140TLK11(E1) K11 2011 / WATER PUMP (DF140WT/WZ)

FIG.18



DF140T 140Z E01_018
WATER PUMP (2)

Part List

DP005911.TIF DF140TLK11(E1) K11 2011 / WATER PUMP (DF140WT/WZ)

REF NO	PART NO	DESCRIPTION	QTY	KIT	NOTES
1	17411-90J20-000	CASE, WATER PUMP	1		->7400-90820, WATER PUMP CASE SET
2	17412-90J01-000	PANEL, PUMP CASE UPPER	1		
3	17413-90J00-000	SLEEVE, WATER PUMP	1		
4	17461-90J01-000	IMPELLER, WATER PUMP	1		
5	17471-87E10-000	PANEL, PUMP CASE UNDER	1		
6	17472-87E10-000	GASKET, PUMP CASE PANEL	1		
7	17560-90J01-000	TUBE, WATER (L)	1		
7	17560-90J11-000	TUBE, WATER (X)	1		
8	17562-90J00-000	BUSH, WATER TUBE UPPER	1		
9	17563-87D00-000	BUSH, WATER TUBE LOWER	1		
10	17564-87D00-000	BUSH, WATER PUMP CASE	1		
11	17631-90J00-000	FILTER, WATER PORT SIDE	1		
12	17632-90J00-000	FILTER, WATER STBD SIDE	1		
13	17635-87E00-000	FILTER, WATER SUB	1		
13A	17635-90J00-000	PLUG, SUB WATER TUBE	1		DF140WT:376360~, DF140WZ
14	09117-08057-000	BOLT (8X25)	4		
15	09125-05046-000	SCREW (5X12)	2		
16	09161-16008-000	WASHER	1		
17	09202-06031-000	PIN, KNOCK	2		
18	09420-05009-000	KEY	1		
19	09132-04034-000	SCREW	2		
20	17612-90J00-000	SPACER, WATER TUBE (X)	1		
21	17400-90J11-000	WATER PUMP REPAIR KIT	1		OPT

Page Notes

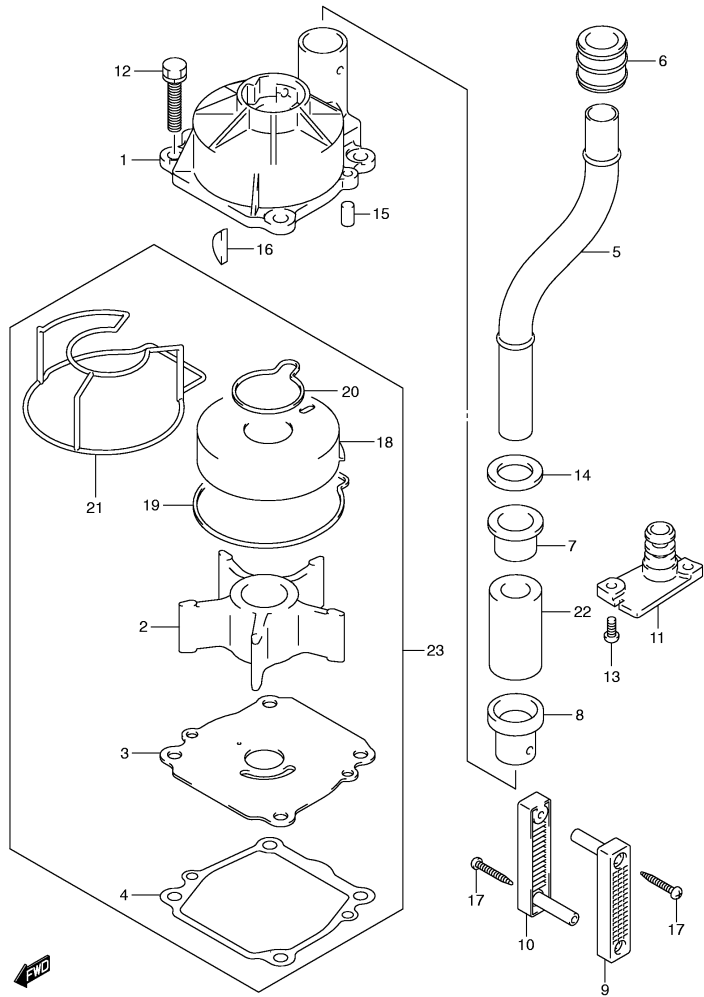
DP005911.TIF DF140TLK11(E1) K11 2011 / WATER PUMP (DF140WT/WZ)

NOTE TEXT

OEM: REFER TO FIG.19(D- 4) FOR DF140T/WT:682149%,DF140Z/WZ:680234%

DP005916.TIF DF140TLK11(E1) K11 2011 / WATER PUMP (DF140T/WT:682149~,DF140Z/WZ:680234~)

FIG.19



DF140T 140Z E01_019
WATER PUMP (3)

Part List

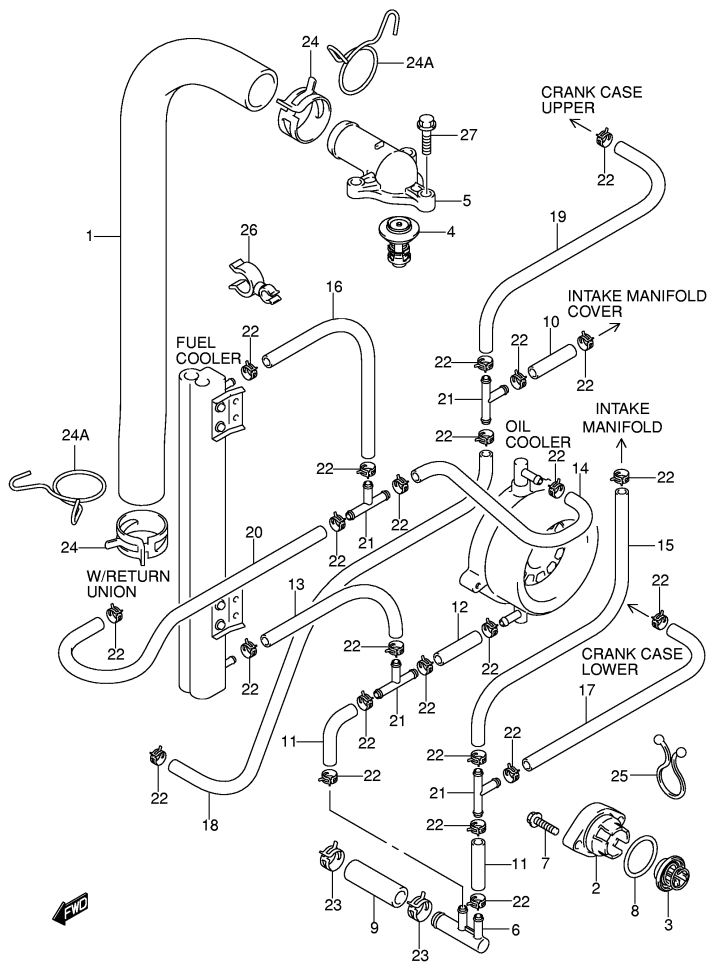
DP005916.TIF DF140TLK11(E1) K11 2011 / WATER PUMP

(DF140T/WT:682149~,DF140Z/WZ:680234~)

REF NO	PART NO	DESCRIPTION	QTY	KIT	NOTES
1	17411-92J00-000	CASE, WATER PUMP	1		DF140T:~983645, DF140Z:~980353, ->7410-92J00, USED WITH 17416-92J10
1	17410-92J00-000	CASE, WATER PUMP	1		DF140T:983646~, DF140Z:980354~
2	17461-90J01-000	IMPELLER, WATER PUMP	1		
3	17471-92J00-000	PANEL, PUMP CASE UNDER	1		
3	17471-92J10-000	PANEL, PUMP CASE UNDER	1		DF140WT/WZ
4	17472-87E10-000	GASKET, PUMP CASE PANEL	1		
5	17561-90J02-000	TUBE, WATER (L)	1		
5	17561-90J12-000	TUBE, WATER (X)	1		
6	17562-90J00-000	BUSH, WATER TUBE UPPER	1		
7	17563-87D00-000	BUSH, WATER TUBE LOWER	1		
8	17564-87D00-000	BUSH, WATER PUMP CASE	1		
9	17631-90J00-000	FILTER, WATER PORT SIDE	1		
10	17632-90J00-000	FILTER, WATER STBD SIDE	1		
11	17635-90J00-000	PLUG, SUB WATER TUBE	1		
12	09116-08131-000	BOLT (8X45)	4		
13	09125-05046-000	SCREW (5X12)	2		
14	09161-16008-000	WASHER (15.8X26X1.0)	1		
15	09202-06031-000	PIN, KNOCK	2		
16	09420-05009-000	KEY	1		
17	09132-04034-000	SCREW (4X18)	2		
18	17413-92J01-000	SLEEVE, WATER PUMP CASE	1		
18	17413-92J11-000	SLEEVE, WATER PUMP CASE	1		DF140WT/WZ
19	17416-92J00-000	SEALING, WATER PUMP CASE NO.1	1		DF140T:~983645, DF140Z:~980353
20	17417-92J00-000	SEALING, WATER PUMP CASE NO.2	1		DF140T:~983645, DF140Z:~980353
21	17416-92J10-000	SEALING, WATER PUMP CASE	1		DF140T:983646~, DF140Z:980354~
22	17612-90J00-000	SPACER, WATER TUBE (X)	1		
23	17400-92J00-000	WATER PUMP REPAIR KIT	1		OPT
23	17400-92J21-000	WATER PUMP REPAIR KIT	1		OPT, DF140T:983646~, DF140Z:980354~

DP004759.TIF DF140TLK11(E1) K11 2011 / THERMOSTAT

FIG.20



DF140T 140Z E01_020
THERMOSTAT

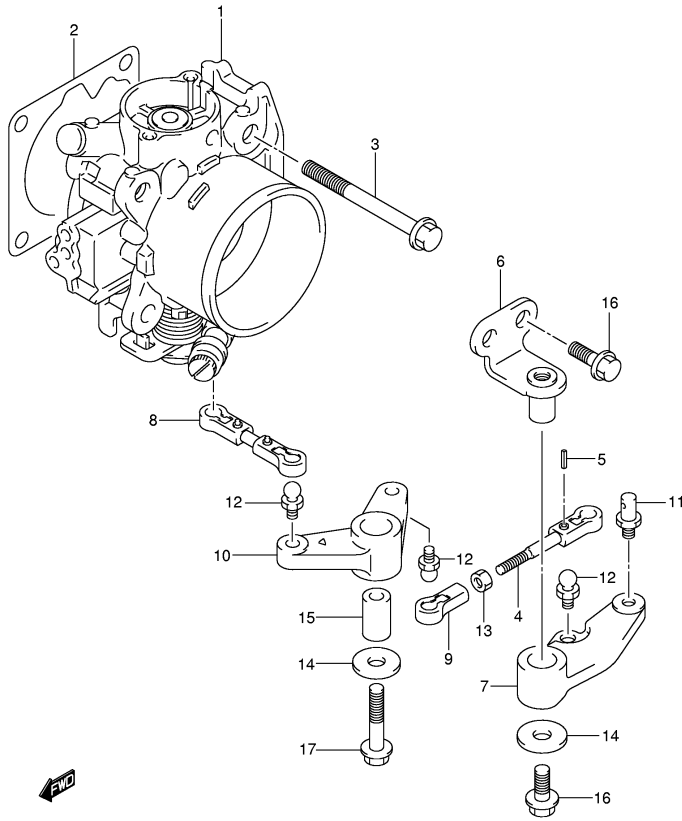
Part List

DP004759.TIF DF140TLK11(E1) K11 2011 / THERMOSTAT

REF NO	PART NO	DESCRIPTION	QTY	KIT	NOTES
1	11196-90J00-000	HOSE, WATER RETURN	1		
2	17611-90J00-0EP	COVER, WATER PRESS VALVE	1		
3	17660-90J00-000	VALVE, WATER PRESSURE	1		
4	17670-90J00-000	THERMOSTAT (60 \dot{I} \dot{I} \dot{I} ½C)	1		
4	17670-90J10-000	THERMOSTAT (71 \dot{I} \dot{I} \dot{I} ½C)	1		OPT
5	17681-90J01-000	COVER, THERMOSTAT	1		
6	17711-90J00-000	3 WAY, WATER HOSE	1		
7	09116-06121-000	BOLT (6X25)	2		
8	09280-26006-000	O RING (D:3.1,ID:26.4)	1		
9	09352-11153-600	HOSE (HOLDER TO 3 WAY)	1		L:600->0
10	09352-50903-600	HOSE (INMF COVER TO 3 WAY)	1		L:600->0
11	09352-50903-600	HOSE (3 WAY TO 3 WAY)	2		L:600->0
11	09352-50903-600	HOSE (3 WAY TO 3 WAY)	2		L:600->0, DF140T:682149~, DF140Z:680234~
12	09352-50903-600	HOSE (3 WAY TO OIL CLR)	1		L:600->0
13	09352-50903-600	HOSE (3 WAY TO FUEL CLR)	1		L:600->60
14	09352-50903-600	HOSE (OIL CLR TO 3 WAY)	1		L:600->60
15	09352-50903-600	HOSE (3 WAY TO INMF)	1		L:600->00
16	09352-50903-600	HOSE (FUEL CLR TO 3 WAY)	1		L:600->30
17	09352-50903-600	HOSE (3 WAY TO CRKC LOWER)	1		L:600->70
18	09352-50903-600	HOSE (3 WAY TO INDICATOR)	1		L:600->70
19	09352-50903-600	HOSE (CRKC UPPER TO 3 WAY)	1		L:600->50
20	09352-50903-600	HOSE (3 WAY TO HOLDER)	1		L:600->80
21	09367-06002-000	3 WAY, WATER HOSE	4		
22	09401-08413-000	CLIP	24		
23	09401-14409-000	CLIP	2		
24	09401-31407-000	CLIP	2		MODEL:02,05~
24A	09401-31201-000	CLIP	2		MODEL:03,04
25	09408-00024-000	CLIP	1		
26	09408-00069-000	CLIP	1		
27	01550-06257-000	BOLT	3		

DP000334.TIF DF140TLK11(E1) K11 2011 / THROTTLE BODY

FIG.21



DF140T 140Z E01_021
THROTTLE BODY

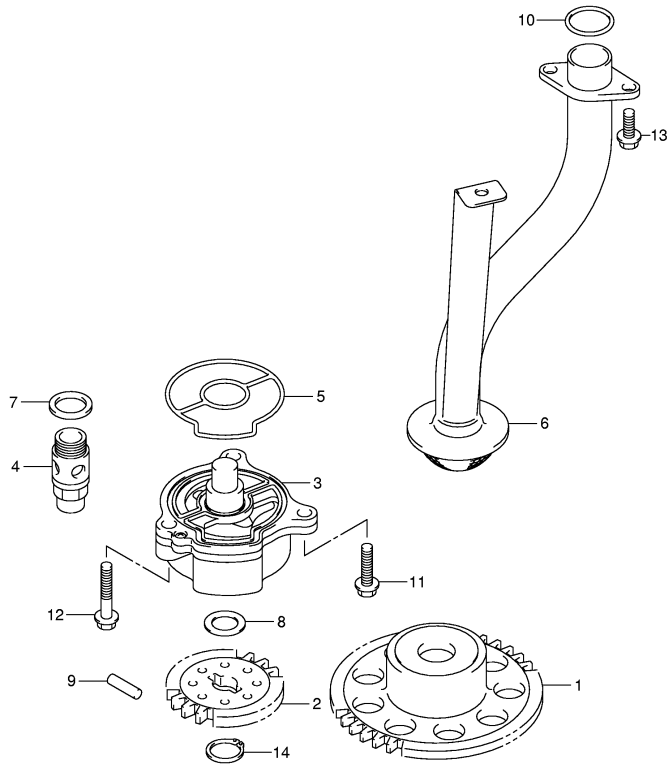
Part List

DP000334.TIF DF140TLK11(E1) K11 2011 / THROTTLE BODY

REF NO	PART NO	DESCRIPTION	QTY	KIT	NOTES
1	13300-90J00-000	BODY ASSY, THROTTLE	1		
2	13421-90J00-000	GASKET, THROTTLE BODY	1		
3	01550-08607-000	BOLT, THROTTLE BODY	4		
3	01550-08557-000	BOLT, THROTTLE BODY	4		DF140T:254115~, DF140Z:251227~
4	13510-90J00-000	ROD, THROTTLE	1		
5	09205-02006-000	PIN, SPRING	1	*	
6	19115-90J00-000	HOLDER, THROTTLE LEVER	1		
7	19121-90J00-000	LEVER, THROTTLE NO.1	1		
8	19130-90J00-000	ROD, THROTTLE NO.2	1		
8	19130-90J10-000	ROD, THROTTLE NO.2	1		DF140T:682149~, DF140Z:680234~
9	19131-95502-000	CONNECTOR, THROTTLE ROD	1		
10	19148-90J00-000	LEVER, THROTTLE	1		
11	67473-89J00-000	PIN, CONNECTOR	1		
12	09119-05010-000	PIVOT	3		
13	09140-05005-000	NUT	1		
14	09160-06046-000	WASHER (6.5X20X1.5)	2		
15	09180-06186-000	SPACER, THROTTLE LEVER NO.2	1		
16	01550-06167-000	BOLT	3		
17	01550-06357-000	BOLT	1		

DP000428.TIF DF140TLK11(E1) K11 2011 / OIL PUMP

FIG.22

DF140T 140Z E01_022
OIL PUMP

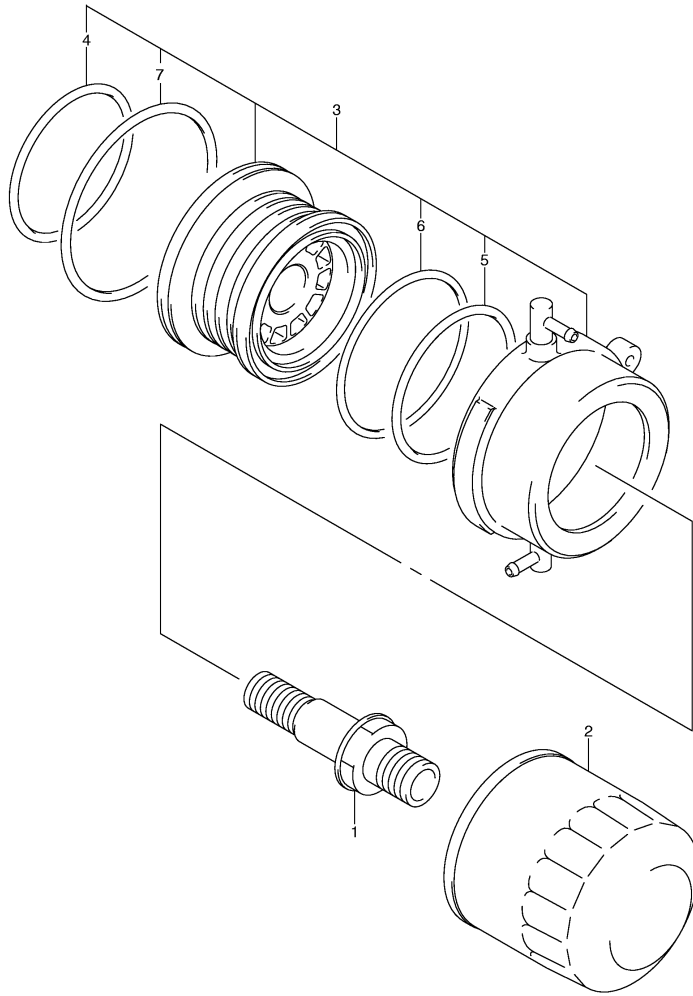
Part List

DP000428.TIF DF140TLK11(E1) K11 2011 / OIL PUMP

REF NO	PART NO	DESCRIPTION	QTY	KIT	NOTES
1	12632-92J00-000	GEAR, OIL PUMP DRIVE	1		->2630-92810, GEAR SET(DRIVE+DRIVEN)
1	12632-92J11-000	GEAR, OIL PUMP DRIVE	1		DF140T:425120~, DF140Z:421437~
2	16113-90J00-000	GEAR, OIL PUMP DRIVEN	1		->2630-92810, GEAR SET(DRIVE+DRIVEN)
2	16113-92J11-000	GEAR, OIL PUMP DRIVEN	1		DF140T:425120~, DF140Z:421437~
3	16400-90J00-000	PUMP ASSY, OIL	1		
4	16440-99E00-000	VALVE, OIL RELIEF	1		
5	16451-90J00-000	O RING, OIL PUMP	1		
6	16520-90J00-000	STRAINER, OIL PUMP	1		
7	09168-16002-000	GASKET (16X22X2.0)	1		
8	09181-12158-000	WASHER (12X20X0.5)	1		
9	09261-05006-000	PIN	1		
10	09280-22020-000	O RING (D:2.4,ID:21.8)	1		
10	09280-22020-000	O RING (D:2.4,ID:21.8)	2		DF140T:684376~, DF140Z:680510~
11	01547-06257-000	BOLT	1		
12	01547-06357-000	BOLT	2		
13	01550-0616A-000	BOLT	3		
14	08331-31126-000	CIRCLIP	1		

DP005428.TIF DF140TLK11(E1) K11 2011 / OIL FILTER

FIG.23



DF140T 140Z E01_023
OIL FILTER

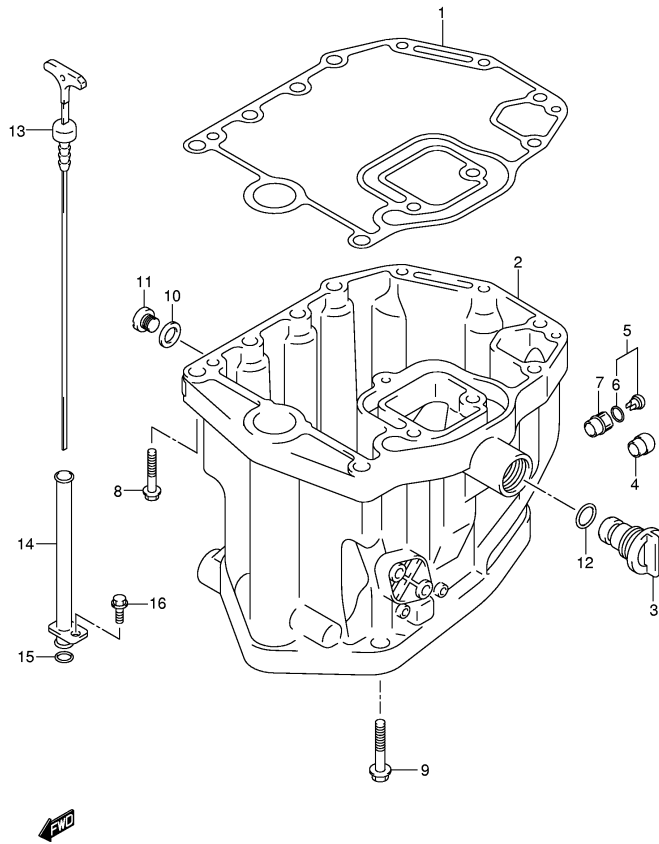
Part List

DP005428.TIF DF140TLK11(E1) K11 2011 / OIL FILTER

REF NO	PART NO	DESCRIPTION	QTY	KIT	NOTES
1	11241-54E00-000	STAND, OIL FILTER	1		
2	16510-92J00-000	FILTER, OIL	1		
3	16600-92J10-000	COOLER ASSY, OIL	1		
4	16621-73G00-000	GASKET, OIL COOLER	1	*	
5	09280-56005-000	O RING (D:3.53 ID:56.74)	1	*	
6	09280-60007-000	O RING (D:3.5 ID:59.6)	1	*	
7	09280-70002-000	O RING (D:3.1 ID:69.4)	1	*	

DP001493.TIF DF140TLK11(E1) K11 2011 / OIL PAN

FIG.24



DF140T 140Z E01_024
OIL PAN

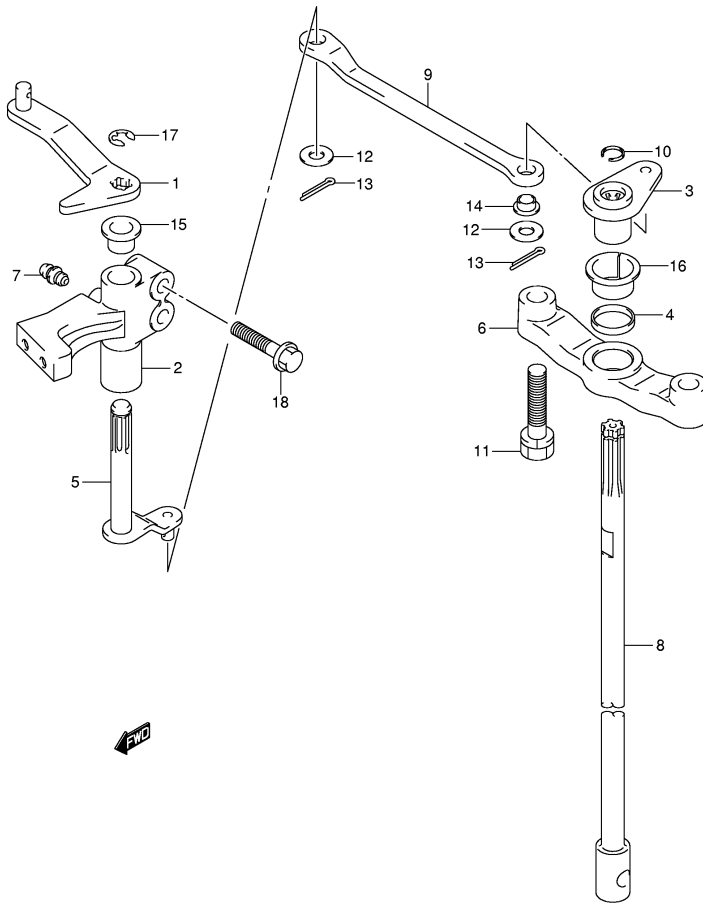
Part List

DP001493.TIF DF140TLK11(E1) K11 2011 / OIL PAN

REF NO	PART NO	DESCRIPTION	QTY	KIT	NOTES
1	11489-90J00-000	GASKET, OIL PAN	1		
2	11501-90J04-0EP	PAN, OIL	1		
3	17913-99E11-000	PLUG, WATER	1		
4	43112-99E00-000	PIPE, EXHAUST	1		
5	61150-99E00-000	COVER, WATER INDICATOR	1		
6	09280-09005-000	O RING (D:1.9,ID:8.6)	1	*	
7	61155-99E01-000	TUBE, WATER INDICATOR	1		
8	09116-08128-000	BOLT (8X40)	3		<-9116-08098
9	09116-10129-000	BOLT (10X160)	8		
10	09168-12012-000	GASKET (12.5X20X2.5)	1		
11	09248-12007-000	PLUG	1		
11	09248-12009-000	PLUG	1		MODEL:04~
12	09280-13005-000	O RING (D:3.5,ID:12.8)	1		
13	16910-90J00-000	GAUGE, OIL LEVEL	1		
14	16930-90J01-000	GUIDE, OIL LEVEL	1		
15	09280-09008-000	O RING (D:2.1,ID:8.8)	1		
16	01550-06127-000	BOLT	1		

DP000168.TIF DF140TLK11(E1) K11 2011 / CLUTCH SHAFT

FIG.25



DF140T 140Z E01_025
CLUTCH SHAFT (1)

Part List

DP000168.TIF DF140TLK11(E1) K11 2011 / CLUTCH SHAFT

REF NO	PART NO	DESCRIPTION	QTY	KIT	NOTES
1	21110-90J02-000	LEVER, CLUTCH	1		
2	21151-90J01-000	HOLDER, CLUTCH LEVER	1		
3	21210-90J01-000	SHAFT, CLUTCH	1		
4	21221-90J00-000	BUSH, CLUTCH SHAFT HOLDER	1		
5	21230-90J00-000	ARM, CLUTCH SHAFT	1		
6	21311-90J00-000	HOLDER, CLUTCH SHAFT	1		
7	22511-99010-000	NIPPLE, GREASE	1		
8	23111-90J01-000	ROD, CLUTCH (L)	1		
8	23111-90J11-000	ROD, CLUTCH (X)	1		
9	23115-90J00-000	LINK, CLUTCH LEVER	1		
10	23117-90J00-000	RING, CLUTCH ROD	1		
11	09117-08071-000	BOLT (8X35)	2		
12	09160-06094-000	WASHER (6.5X15X1.5)	2		
13	09204-01006-000	PIN, CLUTCH LEVER LINK	2		
14	09306-06004-000	BUSH, CLUTCH LEVER LINK	2		
15	09306-10001-000	BUSH, CLUTCH LEVER	2		
16	09306-16004-000	BUSH, CLUTCH SHAFT	1		
17	09383-08004-000	E RING	1		
18	01550-06307-000	BOLT	2		

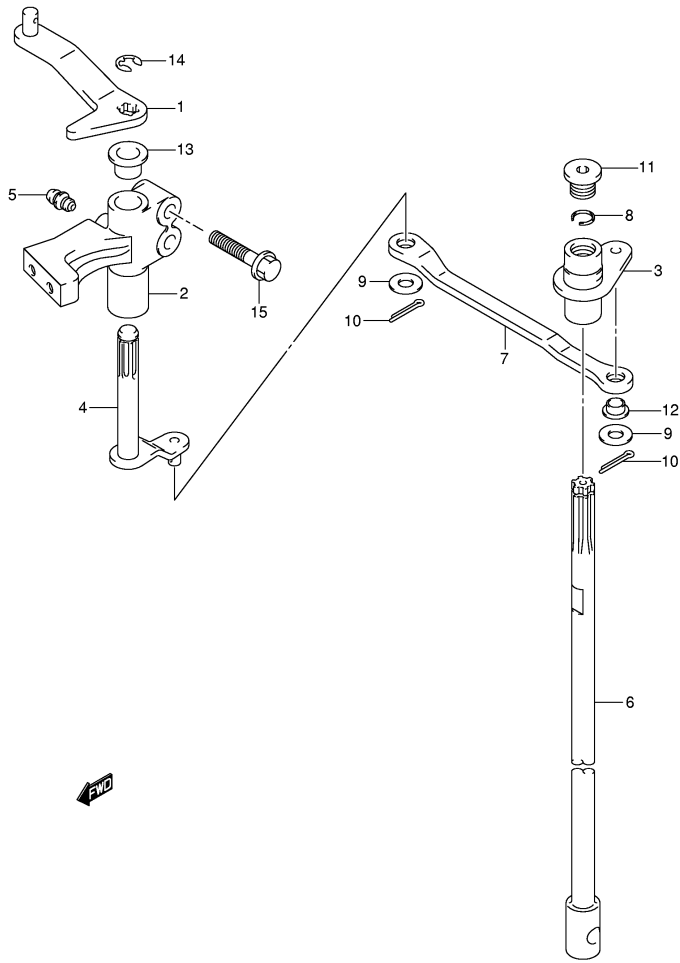
Page Notes

DP000168.TIF DF140TLK11(E1) K11 2011 / CLUTCH SHAFT

NOTE TEXT
OEM: REFER TO FIG.26(E- 3) FOR DF140T:375472%,DF140Z:371347%,
OEM: DF140WT:376072%,DF140WZ
OEM: REFER TO FIG.27(E- 4) FOR DF140T:682149%,DF140Z:680234%,
OEM: DF140WT:682149%,DF140WZ:680234%

DP001430.TIF DF140TLK11(E1) K11 2011 / CLUTCH SHAFT (*)

FIG.26



DF140T 140Z E01_026
CLUTCH SHAFT (2)

Part List

DP001430.TIF DF140TLK11(E1) K11 2011 / CLUTCH SHAFT (*)

REF NO	PART NO	DESCRIPTION	QTY	KIT	NOTES
1	21110-90J02-000	LEVER, CLUTCH	1		
2	21151-90J01-000	HOLDER, CLUTCH LEVER	1		
3	21210-90J10-000	SHAFT, CLUTCH	1		
4	21230-90J00-000	ARM, CLUTCH SHAFT	1		
5	22511-99010-000	NIPPLE, GREASE	1		
6	23111-90J01-000	ROD, CLUTCH (L)	1		
6	23111-90J11-000	ROD, CLUTCH (X)	1		
7	23115-90J10-000	LINK, CLUTCH LEVER	1		
8	23117-90J00-000	RING, CLUTCH ROD	1		
9	09160-06094-000	WASHER (6.5X15X1.5)	2		
10	09204-01006-000	PIN, CLUTCH LEVER LINK	2		
11	09248-12005-000	PLUG	1		
12	09306-06004-000	BUSH, CLUTCH LEVER LINK	2		
13	09306-10001-000	BUSH, CLUTCH LEVER	2		
14	09383-08004-000	E RING	1		
15	01550-06307-000	BOLT	2		

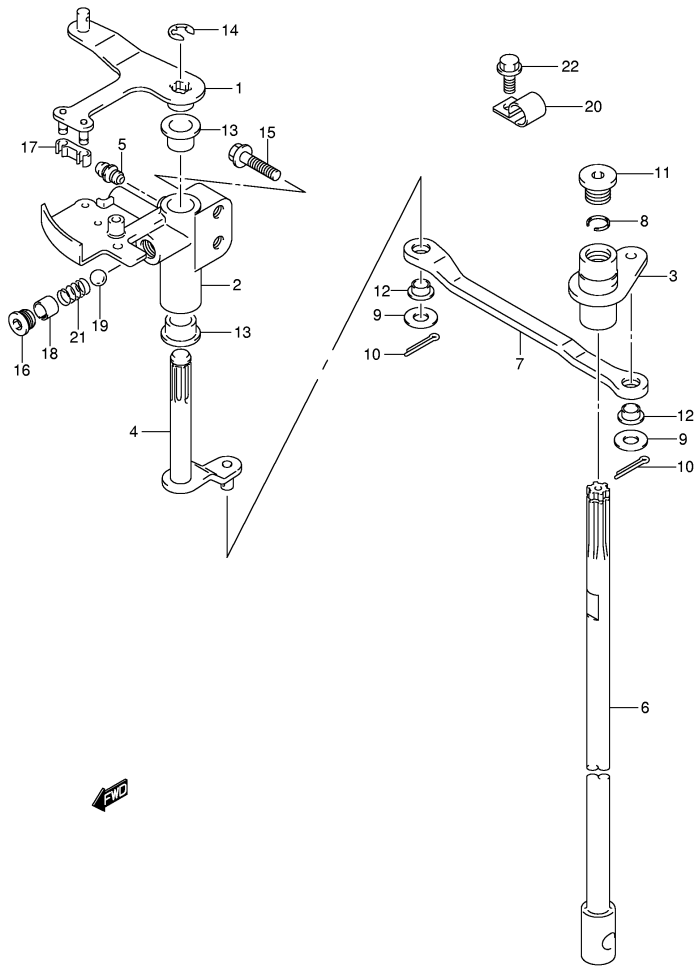
Page Notes

DP001430.TIF DF140TLK11(E1) K11 2011 / CLUTCH SHAFT (*)

NOTE TEXT
OEM: (*) : DF140T:375472%
OEM: DF140Z:371347%
OEM: DF140WT:376072%
OEM: DF140WZ
OEM: REFER TO FIG.27(E- 4) FOR DF140T:682149%,DF140Z:680234%,
OEM: DF140WT:682149%,DF140WZ:680234%

DP001062.TIF DF140TLK11(E1) K11 2011 / CLUTCH SHAFT (*)

FIG.27



DF140T 140Z E01_027
CLUTCH SHAFT (3)

Part List

DP001062.TIF DF140TLK11(E1) K11 2011 / CLUTCH SHAFT (*)

REF NO	PART NO	DESCRIPTION	QTY	KIT	NOTES
1	21110-92J00-000	LEVER, CLUTCH	1		
2	21151-92J00-000	HOLDER, CLUTCH LEVER	1		
3	21210-92J00-000	SHAFT, CLUTCH	1		
4	21230-92J00-000	ARM, CLUTCH SHAFT	1		
5	22511-99011-000	NIPPLE, GREASE	1		
6	23111-90J02-000	ROD, CLUTCH (L)	1		
6	23111-90J12-000	ROD, CLUTCH (X)	1		
7	23115-92J00-000	LINK, CLUTCH LEVER	1		
8	23117-90J00-000	RING, CLUTCH ROD	1		DF140T:~683302, DF140Z:~680414
9	09160-06094-000	WASHER (6.5X15X1.5)	2		
10	09204-01006-000	PIN, CLUTCH LEVER LINK	2		
11	09248-12005-000	PLUG	1		
12	09306-06004-000	BUSH, CLUTCH LEVER LINK	2		
13	09306-10001-000	BUSH, CLUTCH LEVER	2		
14	09383-08004-000	E RING	1		
15	01550-06307-000	BOLT	2		
16	11118-95J00-000	PLUG, NOTCH SPRING	1		
17	21131-93J00-000	BUSH, CLUTCH LEVER	1		
18	09205-10006-000	PIN, CLUTCH NOTCH SPRING	1		
19	09260-10005-000	BALL, CLUTCH NOTCH	1		
20	09403-13408-000	CLAMP, HOSE	1		
21	09440-07071-000	SPRING, CLUTCH NOTCH	1		
22	01550-06167-000	BOLT, HOSE CLAMP	1		

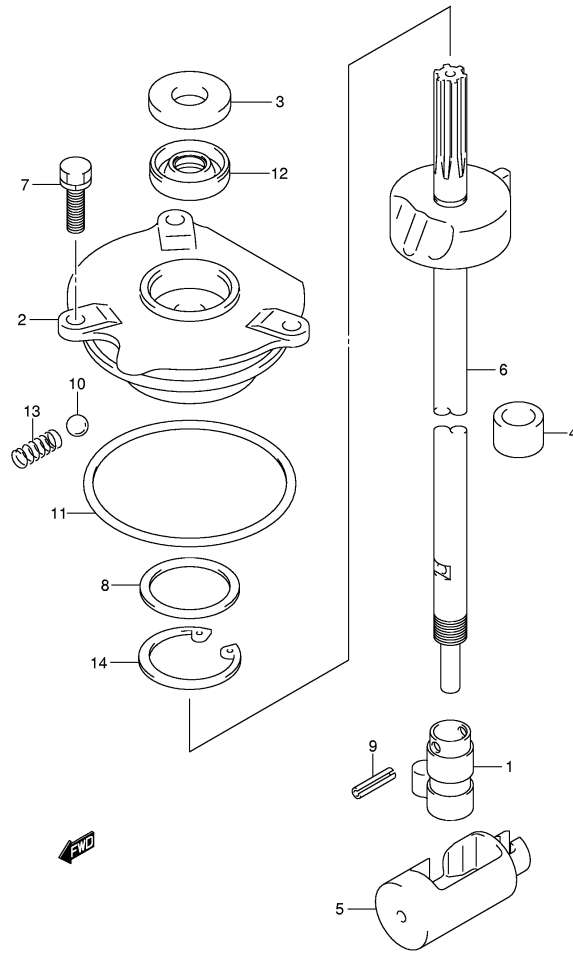
Page Notes

DP001062.TIF DF140TLK11(E1) K11 2011 / CLUTCH SHAFT (*)

NOTE TEXT
OEM: (*) : DF140T:682149%
OEM: DF140Z:680234%
OEM: DF140WT:682149%
OEM: DF140WZ:680234%

DP003541.TIF DF140TLK11(E1) K11 2011 / CLUTCH ROD (DF140T/WT)

FIG.28



DF140T 140Z E01_028
CLUTCH ROD (1)

Part List

DP003541.TIF DF140TLK11(E1) K11 2011 / CLUTCH ROD (DF140T/WT)

REF NO	PART NO	DESCRIPTION	QTY	KIT	NOTES
1	25131-90J01-000	YOKE, SHIFTER	1		
2	25141-90J03-000	HOUSING, SHIFT R50D GUIDE	1		
3	25222-90J00-000	COVER, SFT GUIDE HSG OIL SEAL	1		
4	25232-90J00-000	MAGNET, GEAR CASE	1		
5	25321-90J00-000	SLIDER, SHIFT HORIZONTAL	1		
6	25350-90J01-000	ROD, SHIFT ASSIST (L)	1		
6	25350-90J11-000	ROD, SHIFT ASSIST (X)	1		
7	09117-06031-000	BOLT (6X20)	3		
8	09160-30037-000	WASHER (30X38X1.9)	1		
9	09205-04014-000	PIN	1		
10	09260-10005-000	BALL	1		
11	09280-69001-000	O RING (D:3.1,ID:68.5)	1		
12	09283-10011-000	SEAL, DUST	1		
13	09440-07033-000	SPRING	1		
14	08331-41386-000	CIRCLIP	1		

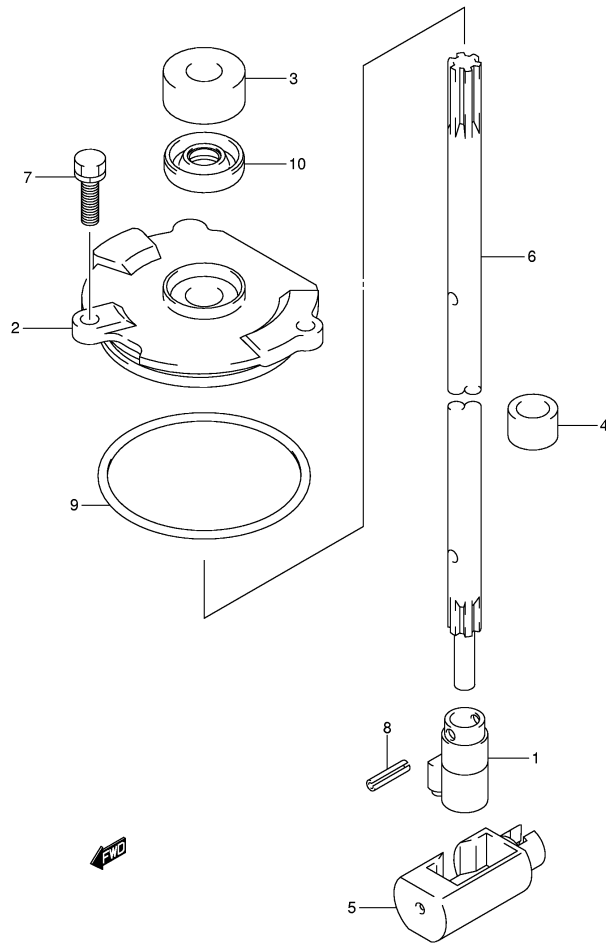
Page Notes

DP003541.TIF DF140TLK11(E1) K11 2011 / CLUTCH ROD (DF140T/WT)

NOTE TEXT
OEM: REFER TO FIG.29(E- 6) FOR DF140T/WZ:682149%
OEM: REFER TO FIG.30(E- 7) FOR DF140Z/WZ:%680233
OEM: REFER TO FIG.31(E- 8) FOR DF140Z/WZ:680234%

DP002567.TIF DF140TLK11(E1) K11 2011 / CLUTCH ROD (DF140T/WT:682149~)

FIG.29

DF140T 140Z E01_029
CLUTCH ROD (2)

Part List

DP002567.TIF DF140TLK11(E1) K11 2011 / CLUTCH ROD (DF140T/WT:682149~)

REF NO	PART NO	DESCRIPTION	QTY	KIT	NOTES
1	25131-92J00-000	YOKE, SHIFTER	1		
2	25141-92J00-000	HOUSING, SHIFT R50D GUIDE	1		
3	25222-92J00-000	COVER, SFT GUIDE HSG OIL SEAL	1		
4	25232-90J00-000	MAGNET, GEAR CASE	1		
5	25321-92J10-000	SLIDER, SHIFT HORIZONTAL	1		
6	25111-92J00-000	ROD ASSY, SHIFT (L)	1		
6	25111-92J10-000	ROD ASSY, SHIFT (X)	1		
7	29116-93J00-000	BOLT (6X20)	2		<-9116-06106
8	09205-04014-000	PIN	2		
9	09280-69001-000	O RING (D:3.1,ID:68.5)	1		
10	09283-10011-000	SEAL, DUST	1		

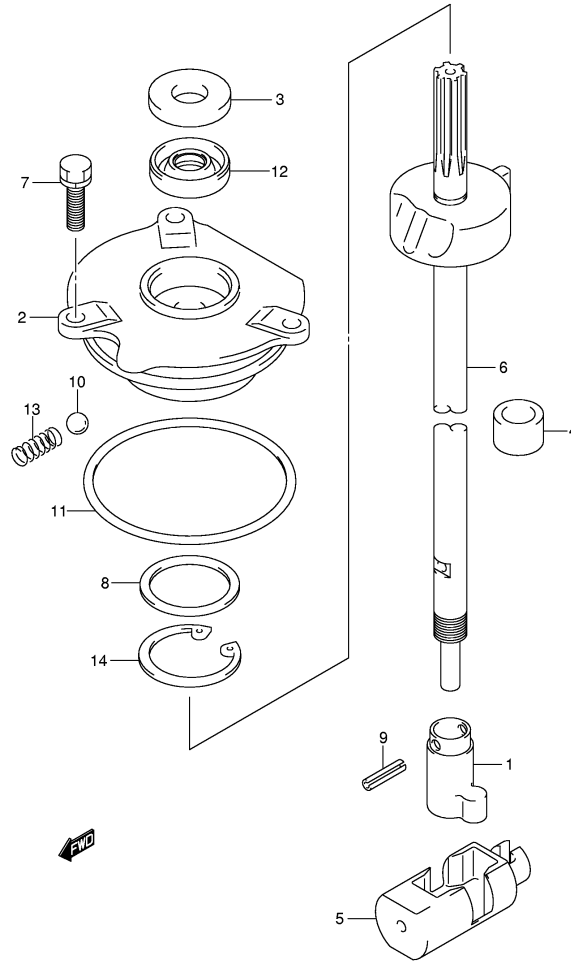
Page Notes

DP002567.TIF DF140TLK11(E1) K11 2011 / CLUTCH ROD (DF140T/WT:682149~)

NOTE TEXT
OEM: REFER TO FIG.30(E- 7) FOR DF140Z/WZ:%680233
OEM: REFER TO FIG.31(E- 8) FOR DF140Z/WZ:680234%

DP000050.TIF DF140TLK11(E1) K11 2011 / CLUTCH ROD (DF140Z/WZ)

FIG.30



DF140T 140Z E01_030
CLUTCH ROD (3)

Part List

DP000050.TIF DF140TLK11(E1) K11 2011 / CLUTCH ROD (DF140Z/WZ)

REF NO	PART NO	DESCRIPTION	QTY	KIT	NOTES
1	25131-90J01-000	YOKE, SHIFTER	1		
2	25141-90J03-000	HOUSING, SHIFT ROD GUIDE	1		
3	25222-90J00-000	COVER, SFT GUIDE HSG OIL SEAL	1		
4	25232-90J00-000	MAGNET, GEAR CASE	1		
5	25321-92J00-000	SLIDER, SHIFT HORIZONTAL	1		
6	25350-90J01-000	ROD, SHIFT ASSIST (L)	1		
6	25350-90J11-000	ROD, SHIFT ASSIST (X)	1		
7	09117-06031-000	BOLT (6X20)	3		
8	09160-30037-000	WASHER (30X38X1.9)	1		
9	09205-04014-000	PIN	1		
10	09260-10005-000	BALL	1		
11	09280-69001-000	O RING (D:3.1,ID:68.5)	1		
12	09283-10011-000	SEAL, DUST	1		
13	09440-07033-000	SPRING	1		
14	08331-41386-000	CIRCLIP	1		

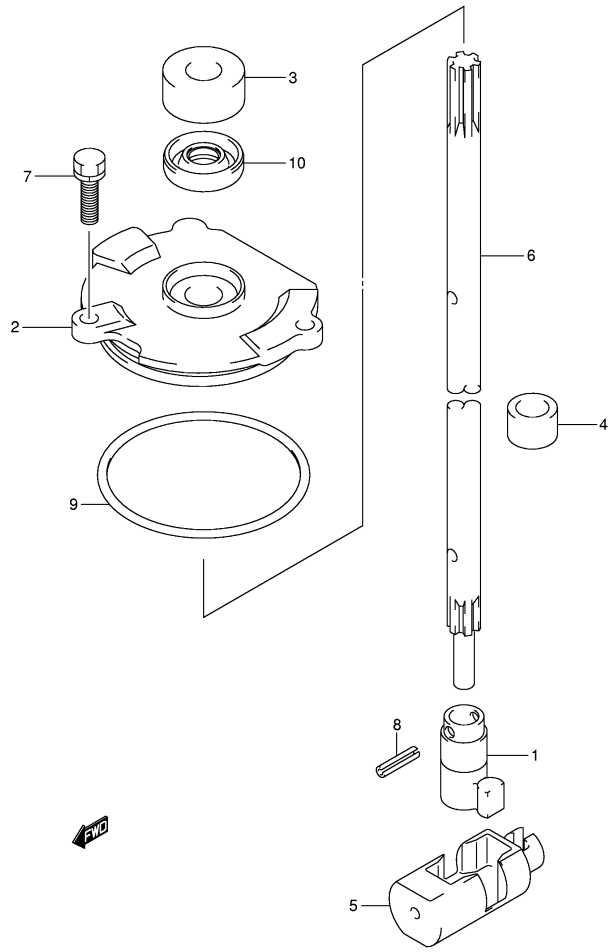
Page Notes

DP000050.TIF DF140TLK11(E1) K11 2011 / CLUTCH ROD (DF140Z/WZ)

NOTE TEXT
OEM: REFER TO FIG.31(E- 8) FOR DF140Z/WZ:680234%

DP002907.TIF DF140TLK11(E1) K11 2011 / CLUTCH ROD (DF140Z/WZ:680234~)

FIG.31



DF140T 140Z E01_031
CLUTCH ROD (4)

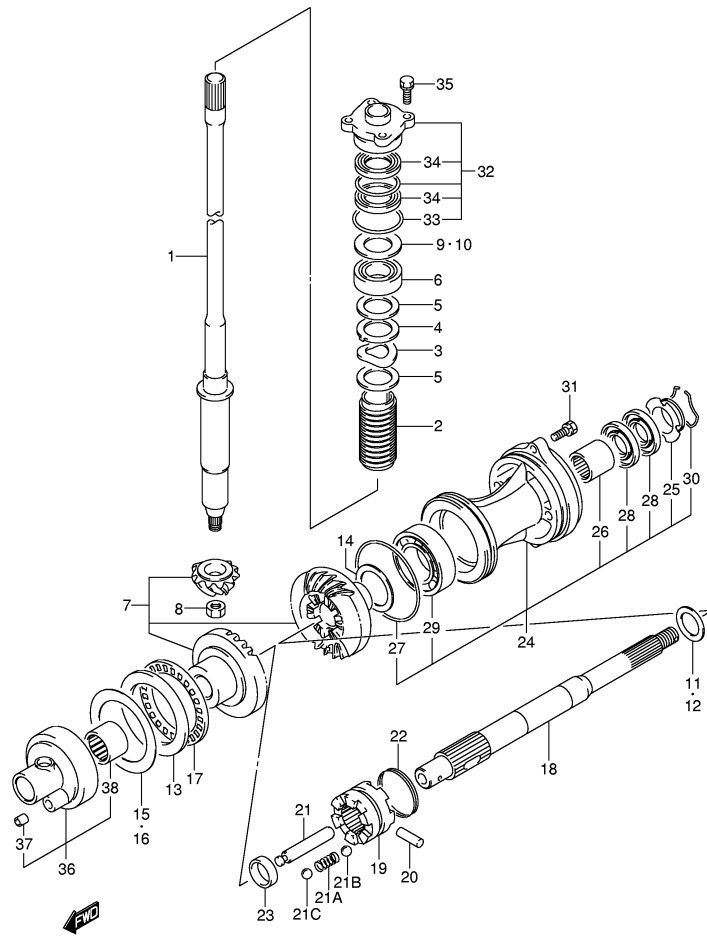
Part List

DP002907.TIF DF140TLK11(E1) K11 2011 / CLUTCH ROD (DF140Z/WZ:680234~)

REF NO	PART NO	DESCRIPTION	QTY	KIT	NOTES
1	25131-92J00-000	YOKE, SHIFTER	1		
2	25141-92J00-000	HOUSING, SHIFT ROD GUIDE	1		
3	25222-92J00-000	COVER, SFT GUIDE HSG OIL SEAL	1		
4	25232-90J00-000	MAGNET, GEAR CASE	1		
5	25321-92J20-000	SLIDER, SHIFT HORIZONTAL	1		
6	25111-92J00-000	ROD ASSY, SHIFT (L)	1		
6	25111-92J10-000	ROD ASSY, SHIFT (X)	1		
7	29116-93J00-000	BOLT (6X20)	2		<-9116-06106
8	09205-04014-000	PIN	2		
9	09280-69001-000	O RING (D:3.1,ID:68.5)	1		
10	09283-10011-000	SEAL, DUST	1		

DP005118.TIF DF140TLK11(E1) K11 2011 / TRANSMISSION (DF140T/WT)

FIG.32



DF140T 140Z E01_032
TRANSMISSION (1)-C

Part List

DP005118.TIF DF140TLK11(E1) K11 2011 / TRANSMISSION (DF140T/WT)

REF NO	PART NO	DESCRIPTION	QTY	KIT	NOTES
1	57110-90J20-000	SHAFT ASSY, DRIVE (L)	1		<-7110-90J00
1	57110-92J20-000	SHAFT ASSY, DRIVE (L)	1		MODEL:04~06
1	57110-92J41-000	SHAFT ASSY, DRIVE (L)	1		DF140T/WT:682149~
1	57110-90J30-000	SHAFT ASSY, DRIVE (X)	1		<-7110-90J10
1	57110-92J30-000	SHAFT ASSY, DRIVE (X)	1		MODEL:04~06
1	57110-92J51-000	SHAFT ASSY, DRIVE (X)	1		DF140T/WT:682149~
2	57133-90J01-000	COLLAR, DRIVE SHAFT	1		
3	09164-31001-000	WAVE WASHER	1		MODEL:02,03
4	09169-31001-000	WASHER	1		MODEL:02,03
5	09181-31001-000	WASHER (31X42X2.0)	2		MODEL:02,03
6	09265-25040-000	BEARING	1		
7	57300-92801-000	PINION/GEAR SET	1		
7	57300-92820-000	PINION/GEAR SET	1		DF140T/WT:682149~
7	57300-92840-000	PINION/GEAR SET	1		MODEL:07~
8	09140-14021-000	NUT	1		
8	09140-14024-000	NUT	1		MODEL:07~
9	57500-87873-000	SHIM SET, DRIVE SHAFT	1		
10	09181-40186-000	SHIM (T:0.50)	1	*	
10	09181-41002-000	SHIM (T:0.55)	1	*	
10	09181-41003-000	SHIM (T:0.60)	1	*	
10	09181-41004-000	SHIM (T:0.65)	1	*	
10	09181-41005-000	SHIM (T:0.70)	1	*	
10	09181-41006-000	SHIM (T:0.75)	1	*	
10	09181-40190-000	SHIM (T:0.80)	1	*	
10	09181-41008-000	SHIM (T:0.85)	1	*	
10	09181-41009-000	SHIM (T:0.90)	1	*	
10	09181-41010-000	SHIM (T:0.95)	1	*	
10	09181-40195-000	SHIM (T:1.00)	1	*	
10	09181-41012-000	SHIM (T:1.05)	1	*	
10	09181-41013-000	SHIM (T:1.10)	1	*	
10	09181-41014-000	SHIM (T:1.15)	1	*	
11	57500-87861-000	SHIM SET, PROP SHAFT REV	1		
12	08211-30382-000	WASHER (30X38X1.5)	1	*	
12	09160-30036-000	WASHER (30X38X1.7)	1	*	
12	09160-30037-000	WASHER (30X38X1.9)	1	*	
12	09160-30038-000	WASHER (30X38X2.1)	1	*	
12	09160-30039-000	WASHER (30X38X2.3)	1	*	
12	09160-30041-000	WASHER (30X38X2.4)	1	*	
12	09160-30042-000	WASHER (30X38X2.6)	1	*	
12	09160-30043-000	WASHER (30X38X2.7)	1	*	
12	09160-30044-000	WASHER (30X38X2.8)	1	*	
13	09160-70002-000	WASHER (70X95X5.25)	1		FWD GEAR
14	09181-45003-000	SHIM (45X56X1.0)	1		REV GEAR
14	09181-45004-000	SHIM (45X56X1.1)	1		REV GEAR
14	09181-45005-000	SHIM (45X56X1.2)	1		REV GEAR
14	09181-45006-000	SHIM (45X56X1.3)	1		REV GEAR
14	09181-45007-000	SHIM (45X56X1.4)	1		REV GEAR
14	09181-45008-000	SHIM (45X56X1.5)	1		REV GEAR
14	09181-45009-000	SHIM (45X56X1.6)	1		REV GEAR
15	57500-92813-000	SHIM SET, FWD GEAR	1		FWD GEAR
16	09181-70001-000	SHIM (70X95X0.7)	1	*	FWD GEAR
16	09181-70002-000	SHIM (70X95X0.8)	1	*	FWD GEAR
16	09181-70003-000	SHIM (70X95X0.9)	1	*	FWD GEAR
16	09181-70004-000	SHIM (70X95X1.0)	1	*	FWD GEAR
16	09181-70006-000	SHIM (70X95X0.6)	1	*	FWD GEAR
16	09181-70009-000	SHIM (70X95X0.65)	1	*	FWD GEAR
16	09181-70010-000	SHIM (70X95X0.75)	1	*	FWD GEAR
16	09181-70011-000	SHIM (70X95X0.85)	1	*	FWD GEAR
16	09181-70012-000	SHIM (70X95X0.95)	1	*	FWD GEAR
17	09269-70001-000	BEARING	1		
18	57610-92J00-000	SHAFT ASSY, PROPELLER	1		

18	57610-92J20-000	SHAFT ASSY, PROPELLER	1		DF140T/WT:682149~
19	57621-92J00-000	SHIFTER, CLUTCH DOG	1		
19	57621-92J10-000	SHIFTER, CLUTCH DOG	1		DF140T/WT:682149~
20	09202-07002-000	PIN	1		
21	57631-87E00-000	ROD, PUSH	1		
21	57631-92J00-000	ROD, PUSH	1		DF140T/WT:682149~
21A	09440-09040-000	SPRING, DETENT	1		DF140T/WT:682149~
21B	06111-07004-000	BALL, DENTENT NO.1	2		DF140T/WT:682149~
21C	06111-11004-000	BALL, DENTENT NO.2	2		DF140T/WT:682149~
22	09440-50002-000	SPRING	1		
22	09440-49004-000	SPRING	1		MODEL:03~
23	57616-90J00-000	SPACER, CLUTCH DOG FWD	1		
24	56120-92J01-0EP	HOUSING, PROP SFT BRG (BLACK)	1		
25	56123-92J00-000	WASHER, OIL SEAL PROTECTOR	1	*	
26	09263-30051-000	BEARING	1	*	
27	09280-97001-000	O RING (D:3.5,ID:95)	1	*	
28	09282-30007-000	OIL SEAL	2	*	
29	08113-62090-000	BEARING	1	*	
30	09387-52001-000	RING	1	*	
31	09117-08047-000	BOLT (8X30)	2		
32	56130-90J00-000	HOUSING	1		
33	09280-46004-000	O RING (D:3.5,ID:45.7)	1	*	
34	09282-24004-000	OIL SEAL	2	*	
35	09117-08057-000	BOLT (8X25)	4		
36	56140-92J00-000	HOUSING, FWD GEAR BRG	1		
37	09206-09012-000	PIN, KNOCK	2	*	
37	09206-09012-000	PIN, KNOCK	1	*	DF140T/WT:421378~
38	09263-50001-000	BEARING	1	*	

Page Notes

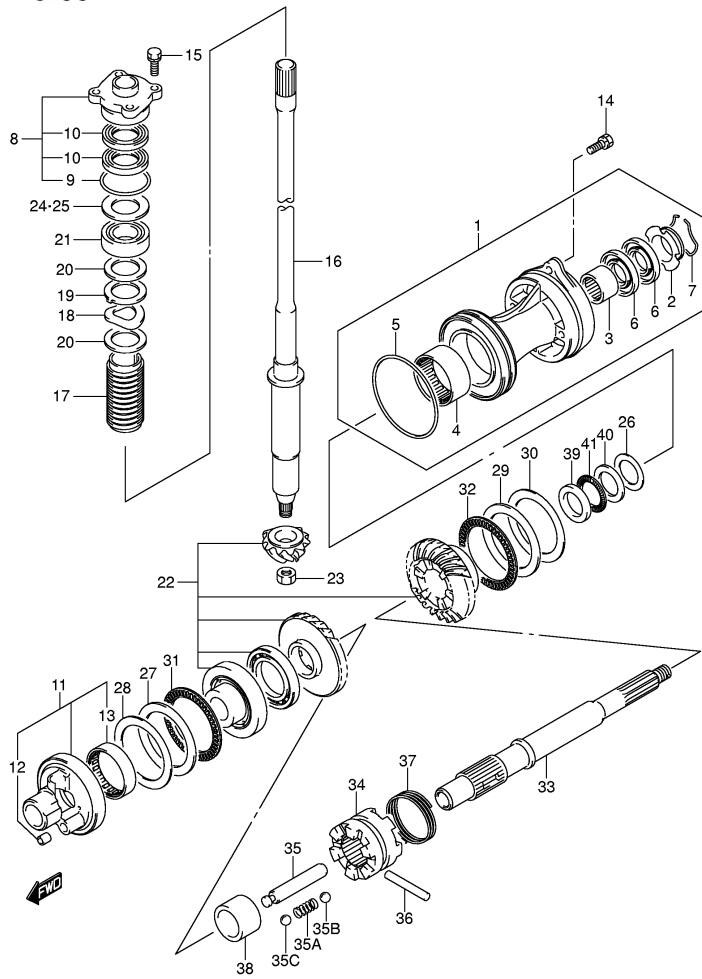
DP005118.TIF DF140TLK11(E1) K11 2011 / TRANSMISSION (DF140T/WT)

NOTE TEXT

OEM: REFER TO FIG.33(E-12) FOR DF140Z/WZ COUNTER ROTATION

DP001341.TIF DF140TLK11(E1) K11 2011 / TRANSMISSION (DF140Z/WZ COUNTER ROTATION)

FIG.33



DF140T 140Z E01_033
TRANSMISSION (2)

Part List

DP001341.TIF DF140TLK11(E1) K11 2011 / TRANSMISSION (DF140Z/WZ COUNTER

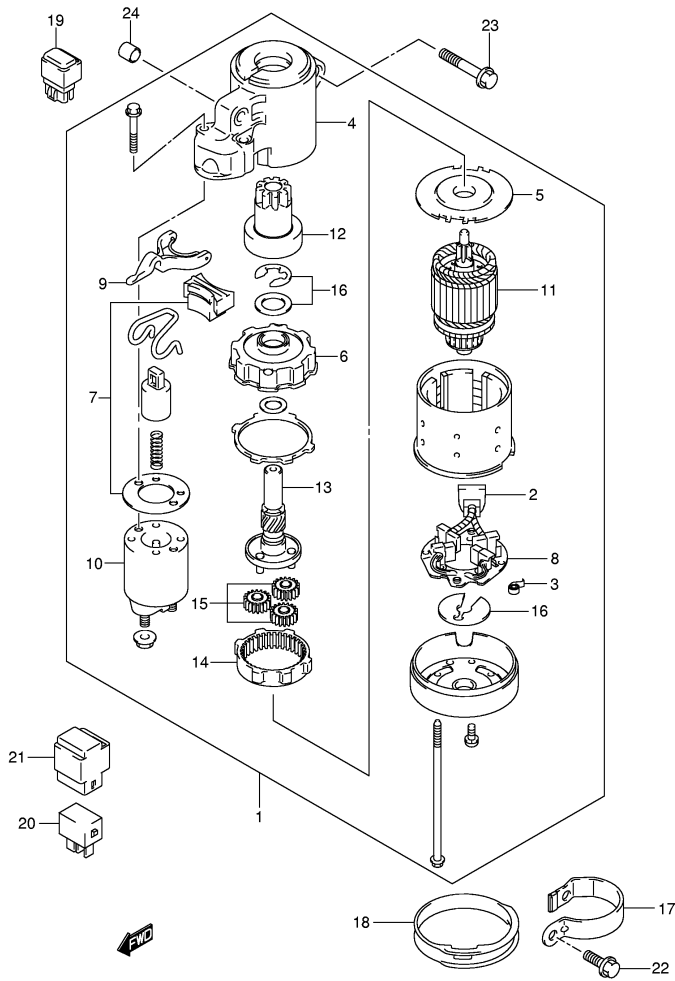
ROTATION)

REF NO	PART NO	DESCRIPTION	QTY	KIT	NOTES
1	56120-92J11-0EP	HOUSING, PROP SFT BRG (BLACK)	1		
1	56120-92J12-0EP	HOUSING, PROP SFT BRG (BLACK)	1		DF140Z:421023~, DF140WZ
2	56123-92J00-000	WASHER, OIL SEAL PROTECTOR	1	*	
3	09263-30051-000	BEARING (30X37X26)	1	*	
4	09263-50001-000	BEARING (50X62X25)	1	*	
5	09280-97001-000	O RING (D:3.5 ID:95)	1	*	
6	09282-30007-000	SEAL OIL	2	*	
7	09387-52001-000	RING, OIL SEAL	1	*	
8	56130-90J00-000	HOUSING, DRIVE SHAFT BRG	1		
9	09280-46004-000	O RING (D:3.5 ID:45.7)	1	*	
10	09282-24004-000	SEAL, OIL	2	*	
11	56140-92J10-000	HOUSING, REV GEAR BRG	1		
11	56140-92J30-000	HOUSING, REV GEAR BRG	1		DF140Z/WZ:680234~
12	09206-09012-000	PIN, KNOCK	2	*	
12	09206-09012-000	PIN, KNOCK	1	*	DF140Z:421026~, DF140WZ
13	09263-45004-000	BEARING (45X52X16)	1	*	
14	09117-08047-000	BOLT (8X30)	2		
15	09117-08057-000	BOLT (8X25)	4		
16	57110-90J20-000	SHAFT, DRIVE (L)	1		
16	57110-92J20-000	SHAFT, DRIVE (L)	1		MODEL:04~06
16	57110-92J41-000	SHAFT, DRIVE (L)	1		DF140Z/WZ:680234~
16	57110-90J30-000	SHAFT, DRIVE (X)	1		
16	57110-92J30-000	SHAFT, DRIVE (X)	1		MODEL:04~06
16	57110-92J51-000	SHAFT, DRIVE (X)	1		DF140Z/WZ:680234~
17	57133-90J01-000	COLLAR, DRIVE SHAFT	1		
18	09164-31001-000	WASHER, WAVE	1		MODEL:02,03
19	09169-31001-000	WASHER	1		MODEL:02,03
20	09181-31001-000	WASHER (31X46X2.0)	2		MODEL:02,03
21	09265-25040-000	BEARING	1		
22	57300-92810-000	PINION/GEAR SET	1		
22	57300-92830-000	PINION/GEAR SET	1		DF140Z/WZ:680234~
22	57300-92850-000	PINION/GEAR SET	1		MODEL:07~
23	09140-14024-000	NUT	1		
23	09140-14021-000	NUT	1		DF140Z:251009~, DF140WZ
23	09140-14024-000	NUT	1		MODEL:07~
24	57500-87873-000	SHIM SET, DRIVE SHAFT	1		
25	09181-40186-000	SHIM (41X52X0.50)	1	*	
25	09181-41002-000	SHIM (41X52X0.55)	1	*	
25	09181-41003-000	SHIM (41X52X0.60)	1	*	
25	09181-41004-000	SHIM (41X52X0.65)	1	*	
25	09181-41005-000	SHIM (41X52X0.70)	1	*	
25	09181-41006-000	SHIM (41X52X0.75)	1	*	
25	09181-40190-000	SHIM (41X52X0.80)	1	*	
25	09181-41008-000	SHIM (41X52X0.85)	1	*	
25	09181-41009-000	SHIM (41X52X0.90)	1	*	
25	09181-41010-000	SHIM (41X52X0.95)	1	*	
25	09181-40195-000	SHIM (41X52X1.00)	1	*	
25	09181-41012-000	SHIM (41X52X1.05)	1	*	
25	09181-41013-000	SHIM (41X52X1.10)	1	*	
25	09181-41014-000	SHIM (41X52X1.15)	1	*	
26	09160-35015-000	WASHER (35X46X0.6)	1		PROP SAFT REV
26	09160-35014-000	WASHER (35X46X0.7)	1		
26	09160-35013-000	WASHER (35X46X0.8)	1		
26	09160-35006-000	WASHER (35X46X0.9)	1		
26	09160-35008-000	WASHER (35X46X0.95)	1		
26	09160-35002-000	WASHER (35X46X1.0)	1		
26	09160-35009-000	WASHER (35X46X1.05)	1		
26	09160-35003-000	WASHER (35X46X1.1)	1		

26	09160-35010-000	WASHER (35X46X1.15)	1	
27	09160-60011-000	WASHER (60X85X3.0)	1	REV GEAR
28	09160-60008-000	WASHER (60X85X0.8)	1	
28	09160-60009-000	WASHER (60X85X0.9)	1	
28	09160-60003-000	WASHER (60X85X1.0)	1	
28	09160-60004-000	WASHER (60X85X1.1)	1	
28	09160-60005-000	WASHER (60X85X1.2)	1	
28	09160-60006-000	WASHER (60X85X1.3)	1	
28	09160-60007-000	WASHER (60X85X1.4)	1	
29	09160-70004-000	WASHER (70X95X3.7)	1	FWD GEAR
29	09160-70005-000	WASHER (70X95X2.0)	1	FWD GEAR, DF140Z:421023~, DF140WZ
30	09181-70006-000	SHIM (70X95X0.6)	1	
30	09181-70009-000	SHIM (70X95X0.65)	1	
30	09181-70001-000	SHIM (70X95X0.7)	1	
30	09181-70010-000	SHIM (70X95X0.75)	1	
30	09181-70002-000	SHIM (70X95X0.8)	1	
30	09181-70011-000	SHIM (70X95X0.85)	1	
30	09181-70003-000	SHIM (70X95X0.9)	1	
30	09181-70012-000	SHIM (70X95X0.95)	1	
30	09181-70004-000	SHIM (70X95X1.0)	1	
31	09269-60001-000	BEARING (60X85X3.0)	1	REV
32	09269-70001-000	BEARING (70X95X4.0)	1	FWD
33	57610-92J10-000	SHAFT, PROPELLER	1	
33	57610-92J30-000	SHAFT, PROPELLER	1	DF140Z/WZ:680234~
33	57610-92J31-000	SHAFT, PROPELLER	1	MODEL:08~
34	57621-92J00-000	SHIFTER, CLUTCH DOG	1	
34	57621-92J10-000	SHIFTER, CLUTCH DOG	1	DF140Z/WZ:680234~
35	57631-87E00-000	PIN, CONNECTOR	1	
35	57631-92J00-000	PIN, CONNECTOR	1	DF140Z/WZ:680234~
35A	09440-09040-000	SPRING, DETENT	1	DF140Z/WZ:680234~
35B	06111-07004-000	BALL, DETENT NO.1	2	DF140Z/WZ:680234~
35C	06111-11004-000	BALL, DETENT NO.2	2	DF140Z/WZ:680234~
36	09202-07002-000	PIN	1	
37	09440-50002-000	SPRING	1	
37	09440-49004-000	SPRING	1	MODEL:03~
38	57616-92J00-000	SPACER, CLUTCH DOG FWD	1	
39	09160-30055-000	WASHER (30X47X6.0)	1	PROP SAFT REV
40	09160-30056-000	WASHER (32X47X3.0)	1	PROP SAFT REV
41	09269-30014-000	BEARING (30X47X2.0)	1	PROP SAFT REV

DP000187.TIF DF140TLK11(E1) K11 2011 / STARTING MOTOR

FIG.34



DF140T 140Z E01_034
STARTING MOTOR

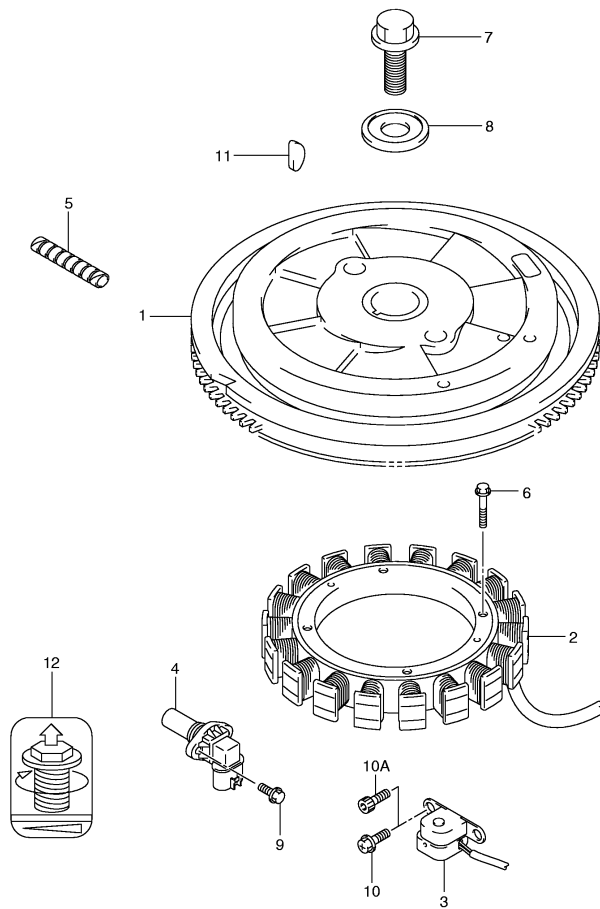
Part List

DP000187.TIF DF140TLK11(E1) K11 2011 / STARTING MOTOR

REF NO	PART NO	DESCRIPTION	QTY	KIT	NOTES
1	31100-90J01-000	STARTING MOTOR	1		
2	31131-90J01-000	BRUSH SET, PLUS	1	*	
3	31135-90J00-000	SPRING	4	*	
4	31151-90J00-000	CASE, GEAR	1	*	
5	31152-90J00-000	PLATE, CENTER	1	*	
6	31153-90J00-000	BRACKET, PLANET GEAR	1	*	
7	31171-90J00-000	COVER KIT, DUST	1	*	
8	31173-90J01-000	HOLDER, BRUSH	1	*	
9	31191-90J00-000	LEVER, SHIFT	1	*	
10	31220-90J00-000	SWITCH, MAGNET	1	*	
11	31310-90J00-000	ARMATURE	1	*	
12	31320-90J00-000	PINION	1	*	
13	31341-90J00-000	SHAFT, PINION	1	*	
14	31343-90J00-000	INTERNAL GEAR	1	*	
15	31344-90J00-000	GEAR, PLANETARY	3	*	
16	31360-90J00-000	WASHER SET	1	*	
17	31912-90J00-000	BAND, STARTING MOTOR	1		
18	31918-90J00-000	DAMPER, LOWER	1		
18	31918-90J10-000	DAMPER, LOWER	1		MODEL:06~
19	38910-92E00-000	RELAY, STARTING MOTOR	1		MODEL:02
20	38860-76F01-000	RELAY, STARTING MOTOR	1		MODEL:03~
21	38915-90J00-000	HOLDER, RELAY	1		MODEL:03~
22	01550-08207-000	BOLT	2		
23	01550-10507-000	BOLT	2		
24	04211-13149-000	PIN	2		

DP005763.TIF DF140TLK11(E1) K11 2011 / MAGNETO

FIG.35

DF140T 140Z E01_035
MAGNETO

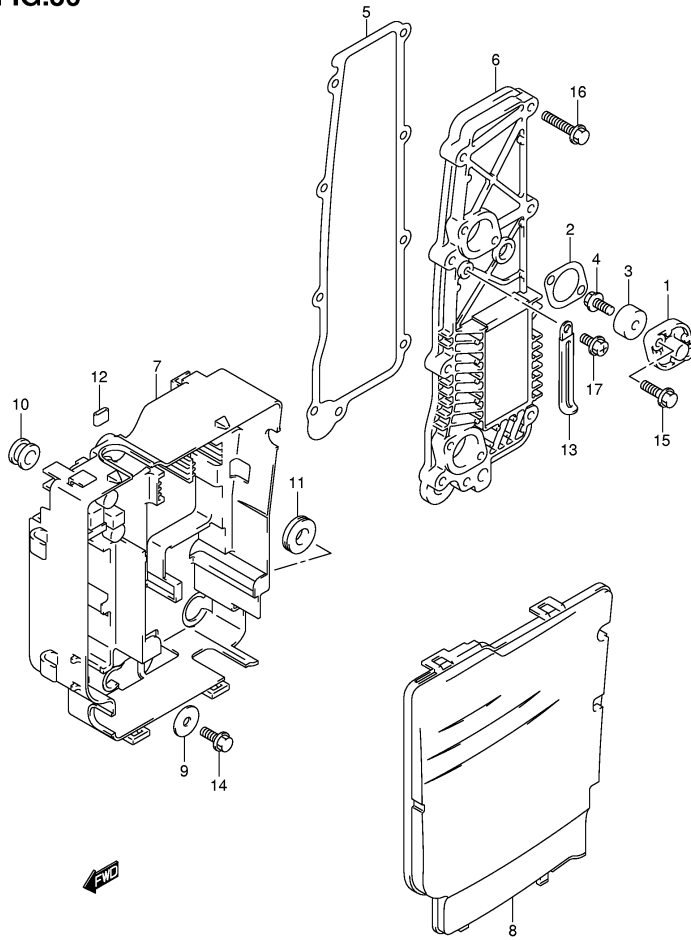
Part List

DP005763.TIF DF140TLK11(E1) K11 2011 / MAGNETO

REF NO	PART NO	DESCRIPTION	QTY	KIT	NOTES
1	32102-92J00-000	FLYWHEEL	1		
1	32102-92J10-000	FLYWHEEL	1		MODEL:03~, N/ROPE HOOK
2	32120-90J00-000	COIL, BATTERY CHARGING	1		
2	32120-90J10-000	COIL, BATTERY CHARGING	1		MODEL:03~05
2	32120-90J20-000	COIL, BATTERY CHARGING	1		MODEL:06~
3	32160-87J00-000	COIL, IGNITION TIMING	1		
3	32160-87J10-000	COIL, IGNITION TIMING	1		MODEL:03~09
3	32160-87L00-000	COIL, IGNITION TIMING	1		MODEL:10~
4	33220-76G02-000	SENSOR, CAM POSITION	1		
5	33833-91J00-000	TUBE	1		L:250->00, <-3833-95510
6	09103-06231-000	BOLT (6X35)	4		
7	09103-16003-000	BOLT (16X50)	1		
8	09160-16048-000	WASHER (16.5X60.5X7.0)	1		
9	01547-06167-000	BOLT	1		
10	02162-05167-000	SCREW	2		DF140T:~983167, DF140Z:~980303
10A	09106-05030-000	BOLT	2		DF140T:983168~, DF140Z:980304~
11	08341-31059-000	KEY, WOODRUFF	1		
12	32118-90J00-000	LABEL, MAG BOLT	1		

DP003239.TIF DF140TLK11(E1) K11 2011 / RECTIFIER

FIG.36



DF140T 140Z E01_036
RECTIFIER

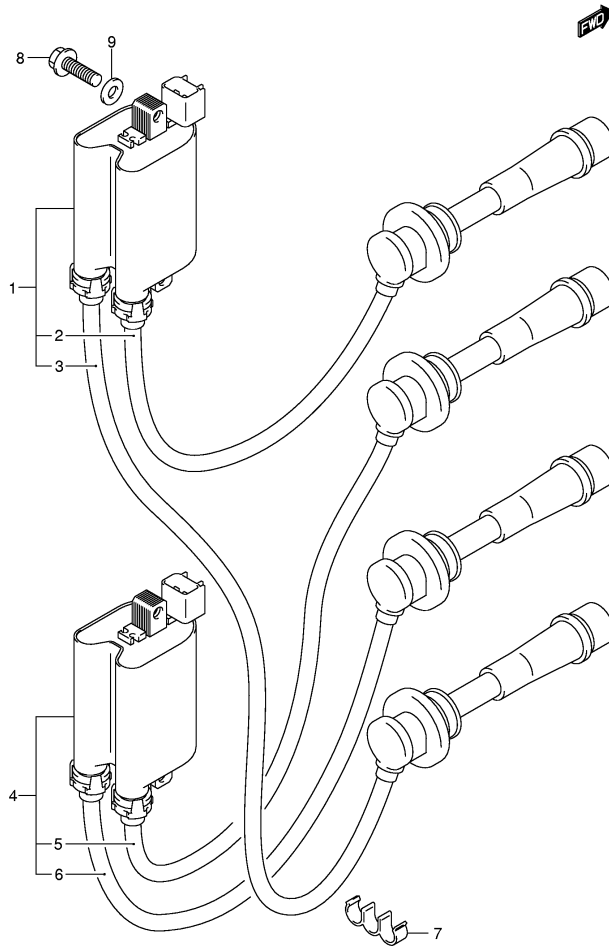
Part List

DP003239.TIF DF140TLK11(E1) K11 2011 / RECTIFIER

REF NO	PART NO	DESCRIPTION	QTY	KIT	NOTES
1	11261-87E10-0EP	COVER, PROTECTION ANODE (BLACK)	2		
1	11261-87E10-000	COVER, PROTECTION ANODE (BLACK)	2		MODEL:03~
2	11265-87E10-000	GASKET, PROTECTION COVER	2		
3	55321-87J00-000	ANODE, PROTECTION	2		
3	55321-87J10-000	ANODE (MAGNESIUM)	2		OPT
4	09128-06021-000	BOLT (6X14)	2		
4	09103-06281-000	BOLT (6X14)	2		MODEL:06~
5	14151-90J00-000	GASKET, RECTIFIER	1		
6	32800-90J00-000	RECTIFIER	1		
6	32800-90J10-000	RECTIFIER	1		MODEL:03
6	32800-90J20-000	RECTIFIER & REGULATOR	1		MODEL:04,05
6	32800-90J30-000	RECTIFIER & REGULATOR	1		MODEL:06~
7	32890-90J01-000	HOLDER, ELECTRIC PARTS	1		
8	32891-90J00-000	COVER, ELECTRIC PARTS HOLDER	1		
9	09160-06054-000	WASHER (6.5X22X1.6)	1		
10	09320-10008-000	CUSHION	2		
11	09320-12011-000	CUSHION	1		
12	09329-01007-000	CUSHION	1		
13	29404-93J10-000	CLAMP	1		<-9404-06432
14	01550-06167-000	BOLT	1		
15	01550-06207-000	BOLT	4		
16	01550-06307-000	BOLT	9		
17	02162-06127-000	BOLT	1		

DP005070.TIF DF140TLK11(E1) K11 2011 / IGNITION COIL

FIG.37



DF140T 140Z E01_037
IGNITION COIL-C

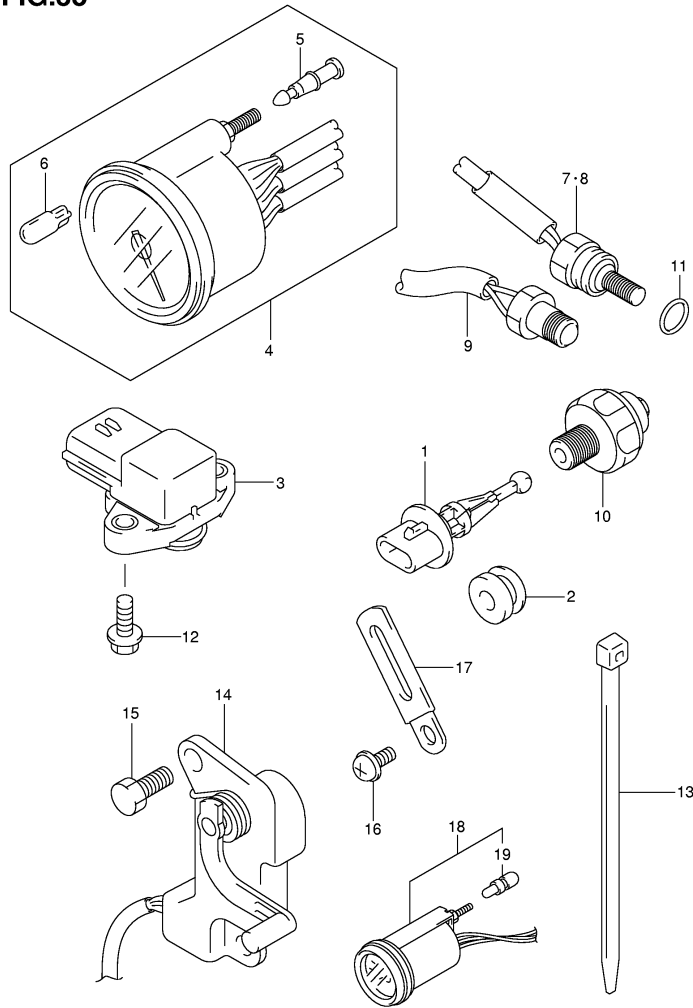
Part List

DP005070.TIF DF140TLK11(E1) K11 2011 / IGNITION COIL

REF NO	PART NO	DESCRIPTION	QTY	KIT	NOTES
1	33410-90J00-000	COIL ASSY, IGNITION	1		
2	33710-90J00-000	CORD, HIGH TENSION	1	*	NO.1
3	33740-90J00-000	CORD, HIGH TENSION	1	*	NO.4
4	33420-90J00-000	COIL ASSY, IGNITION	1		
5	33720-90J00-000	CORD, HIGH TENSION	1	*	NO.2
6	33730-90J00-000	CORD, HIGH TENSION	1	*	NO.3
7	09408-00035-000	CLAMP	2		
8	01550-06207-000	BOLT	4		
8	01550-06257-000	BOLT	4		MODEL:08~
9	08322-01067-000	WASHER	4		MODEL:08~

DP004658.TIF DF140TLK11(E1) K11 2011 / SENSOR

FIG.38

DF140T 140Z E01_038
SENSOR

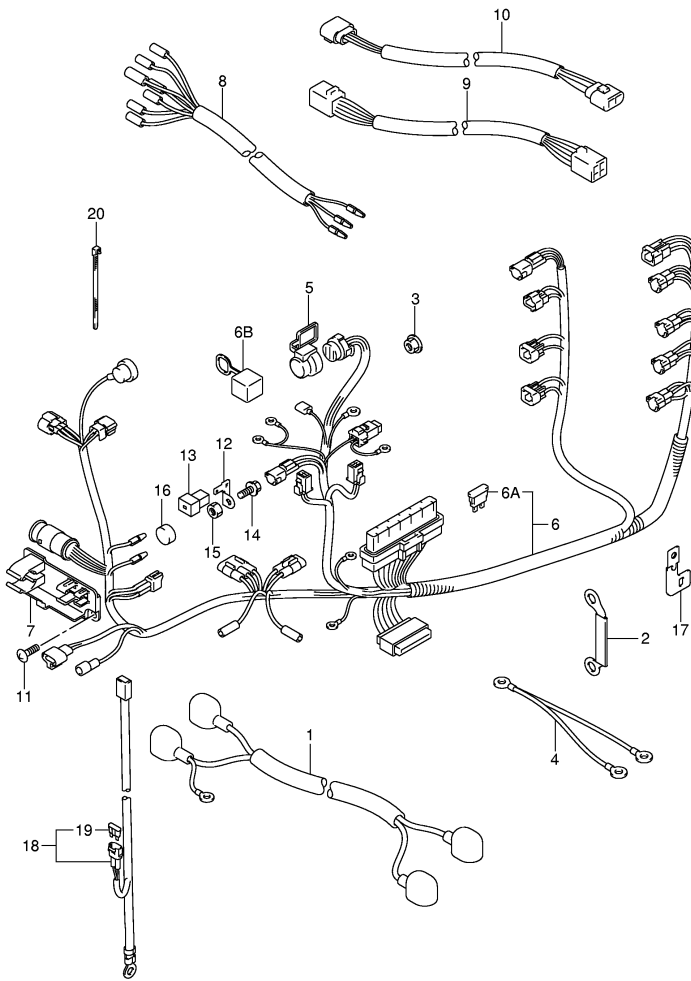
Part List

DP004658.TIF DF140TLK11(E1) K11 2011 / SENSOR

REF NO	PART NO	DESCRIPTION	QTY	KIT	NOTES
1	13650-52G00-000	SENSOR, INLET AIR TEMP	1		
2	13655-87J00-000	GROMMET, AIR TEMP SENSOR	1		
3	18590-72F21-000	SENSOR, PRESSURE	1		
3	18590-68H00-000	SENSOR, PRESSURE	1		MODEL:08~
4	34200-99E01-000	TACHOMETER	1		<-4200-99E00
4	34200-93J00-000	TACHOMETER ASSY	1		BLACK, DF140T:422364~, DF140Z:421166~, DF140WZ
4	34200-93J11-000	TACHOMETER ASSY	1		WHITE, DF140T:422364~, DF140Z:421166~, DF140WZ
5	36615-96300-000	TERMINAL, RESIN	4	*	
6	09471-12179-000	BULB	1	*	
6	09471-12077-000	BULB	1	*	FOR 34200-93J00, 34200-93J10
7	34830-87J10-000	SENSOR, EXHAUST TEMP	1		<-4830-87J00, MODEL:02,03
8	34830-87J10-000	SENSOR, TEMP	1		<-4830-87J00, MODEL:02,03
9	34830-87J20-000	SENSOR ASSY, EXHAUST TEMP	2		MODEL:04~
10	37820-99E01-000	SWITCH, OIL PRESSURE	1		
11	09280-09005-000	O RING (D:1.9 ID:8.6)	2		MODEL:02,03
12	02162-05207-000	SCREW	2		
13	09407-14403-000	CLAMP (L:125)	1		FOR TEMP SENSOR
13	09407-14407-000	CLAMP (L:145)	1		FOR TRIM SENDER
14	34801-99E04-000	SENDER ASSY, TRIM	1		
15	09100-06113-000	BOLT (6X16)	2		
16	09125-06063-000	SCREW (6X10)	1		
17	29404-93J10-000	CLAMP	1		<-9404-06432
18	34800-90J01-000	METER ASSY, TRIM	1		<-4800-90J00
18	34800-93J00-000	METER ASSY, TRIM	1		BLACK, DF140T:422364~, DF140Z:421166~, DF140WZ
18	34800-93J11-000	METER ASSY, TRIM	1		WHITE, DF140T:422364~, DF140Z:421166~, DF140WZ
19	09471-12180-000	BULB	1	*	
19	09471-12103-000	BULB	1	*	FOR 34200-93J00, 34200-93J10

DP005138.TIF DF140TLK11(E1) K11 2011 / HARNESS

FIG.39



DF140T 140Z E01_039
HARNESS-C

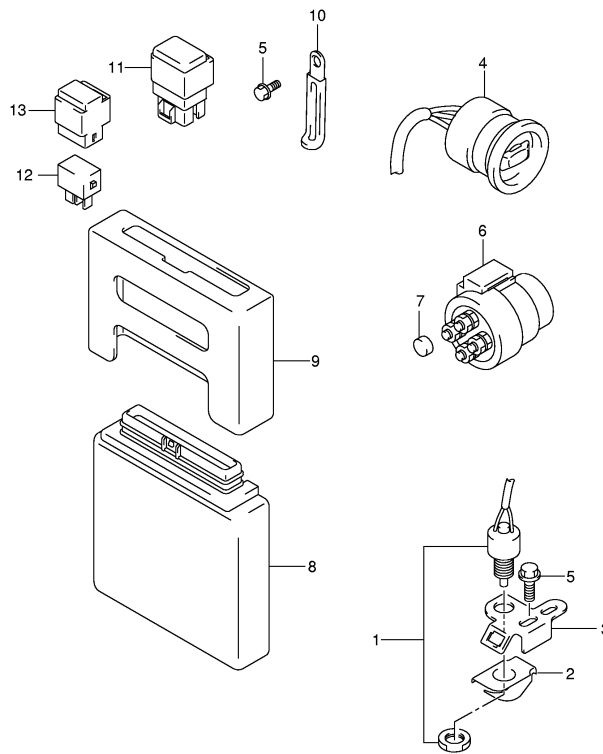
Part List

DP005138.TIF DF140TLK11(E1) K11 2011 / HARNESS

REF NO	PART NO	DESCRIPTION	QTY	KIT	NOTES
1	33810-90J10-000	CABLE, STARTER MOTOR	1		
2	33831-90J00-000	PLATE, PTT RELAY	1		MODEL:02,03
3	08316-10087-000	NUT	1		
4	33832-90J00-000	CABLE, TRIM RELAY GROUND	1		MODEL:02,03
5	33634-99E00-000	CAP, SERVICE CONNECTOR	1		MODEL:02~07
6	36610-90J00-000	HARNESS ASSY, WIRING	1		
6	36610-90J20-000	HARNESS ASSY, WIRING	1		MODEL:03
6	36610-90J30-000	HARNESS ASSY, WIRING	1		MODEL:04
6	36610-90J50-000	HARNESS ASSY, WIRING	1		MODEL:05~07, ->6610-90J60
6	36610-90J80-000	HARNESS, ASSY WIRING	1		MODEL:08~09, ->6610-90J91
6	36610-90J81-000	HARNESS, ASSY WIRING	1		MODEL:10~
6A	09481-30501-000	FUSE (30A)	1	*	
6B	33634-96J00-000	CAP, SERVICE CONNECTOR	1	*	MODEL:08~
7	36616-90J00-000	HOLDER, REMOCON CONNECTOR	1		
7	36616-90J10-000	HOLDER, REMOCON CONNECTOR	1		MODEL:05~
8	36630-92E00-000	WIRE, INSTRUMENT	1		MODEL:02~04
9	36682-90J00-000	WIRE, TRIM METER	1		MODEL:02~04
10	36682-92E00-000	WIRE, MONITOR GAUGE EXT	1		MODEL:02~04
11	02142-06167-000	SCREW	2		
12	36865-90J00-000	TERMINAL, MAIN FUSE	2		
13	09481-60401-000	FUSE, SLOW BLOW	2		
14	01570-06107-000	BOLT	2		
15	08310-00067-000	NUT	2		
16	09251-09002-000	CAP	2		
17	36617-90J00-000	BRACKET, JOINT CONNECTOR	1		MODEL:04~
18	36625-93J00-000	LEAD, BATTERY	1		L:3700 MODEL:05~
18	36625-93J10-000	LEAD, BATTERY	1		OPT, L:6500 MODEL:05~
19	09481-15501-000	FUSE (15A)	1	*	
20	09407-14407-000	CLAMP, BATTERY LEAD	2		MODEL:05~

DP004098.TIF DF140TLK11(E1) K11 2011 / PTT SWITCH & ENGINE CONTROL UNIT (MODEL:02,03)

FIG.40



DF140T 140Z E01_040
PTT SWITCH/ENGINE CONTROL UNIT (1)

Part List

DP004098.TIF DF140TLK11(E1) K11 2011 / PTT SWITCH & ENGINE CONTROL UNIT

(MODEL:02,03)

REF NO	PART NO	DESCRIPTION	QTY	KIT	NOTES
1	37721-99E00-000	SWITCH, NEUTRAL	1		MODEL:02
1	37721-99E10-000	SWITCH, NEUTRAL	1		MODEL:03
2	37725-95600-000	ACTUATOR, NEUTRAL SW	1		
3	37726-90J00-000	BRACKET, NEUTRAL SW	1		
4	37850-99E00-000	SWITCH, PTT	1		
5	01550-06167-000	BOLT	2		
6	38410-94552-000	RELAY, PTT	2		
7	09251-09002-000	CAP	1		
8	33920-92J00-000	UNIT, ENGINE CONTROL	1		
8	33920-92J10-000	UNIT, ENGINE CONTROL	1		DF140WT
9	33925-87J00-000	CUSHION, ENGINE CONTROL UNIT	1		
10	09404-06432-000	CLAMP	2		
11	38910-92E00-000	RELAY, ENGINE CONTROL UNIT	1		
12	38860-76F01-000	RELAY, ENGINE CONTROL UNIT	1		MODEL:03
13	38915-90J00-000	HOLDER, RELAY	1		MODEL:03

Page Notes

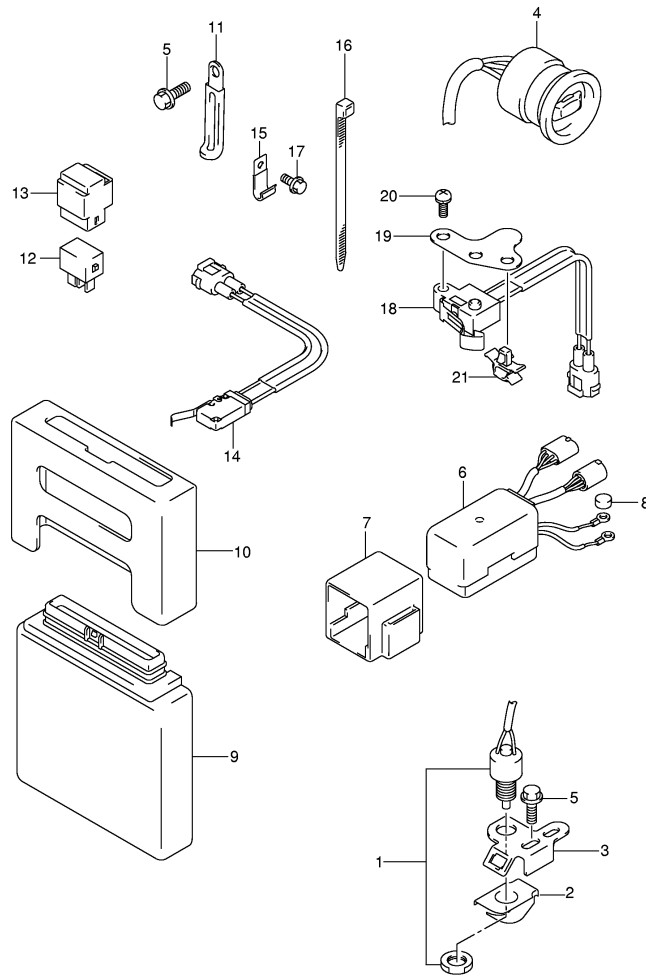
DP004098.TIF DF140TLK11(E1) K11 2011 / PTT SWITCH & ENGINE CONTROL UNIT

(MODEL:02,03)

NOTE TEXT
OEM: REFER TO FIG.35(E-10) FOR MODEL:04%

DP000129.TIF DF140TLK11(E1) K11 2011 / PTT SWITCH & ENGINE CONTROL UNIT (MODEL:04~)

FIG.41



DF140T 140Z E01_041
PTT SWITCH/ENGINE CONTROL UNIT (2)

Part List

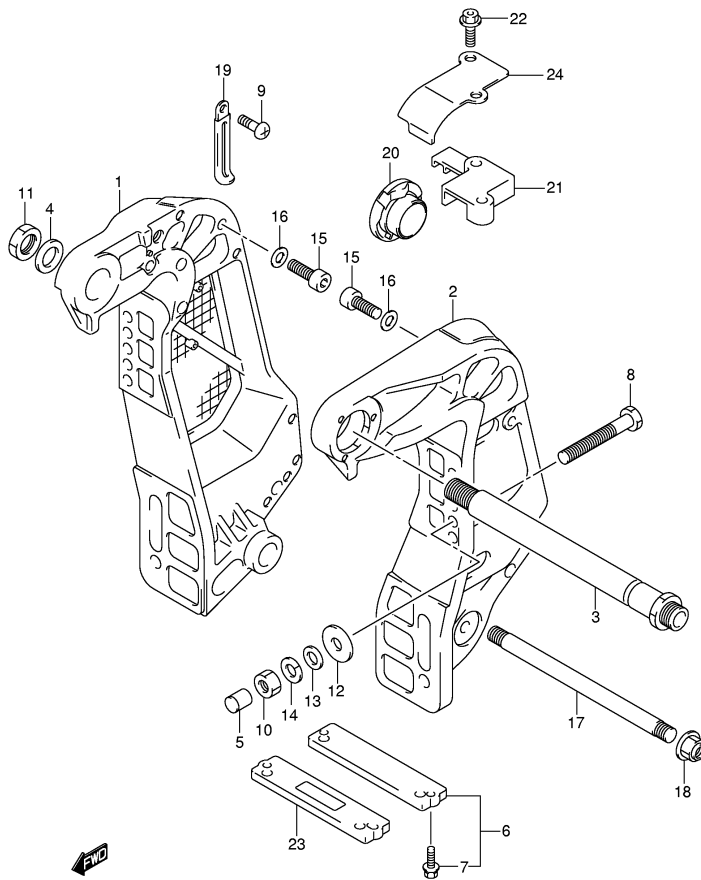
DP000129.TIF DF140TLK11(E1) K11 2011 / PTT SWITCH & ENGINE CONTROL UNIT

(MODEL:04~)

REF NO	PART NO	DESCRIPTION	QTY	KIT	NOTES
1	37721-99E10-000	SWITCH, NEUTRAL	1		DF140T:~682148, DF140Z:~680233
2	37725-95600-000	ACTUATOR, NEUTRAL SW	1		DF140T:~682148, DF140Z:~680233
3	37726-90J00-000	BRACKET, NEUTRAL SW	1		DF140T:~682148, DF140Z:~680233
4	37850-99E04-000	SWITCH, PTT	1		
5	01550-06167-000	BOLT	2		DF140T:~682148, DF140Z:~680233
6	38410-93J00-000	RELAY, PTT	1		
6	38410-93J11-000	RELAY, PTT	1		MODEL:06~
7	38415-93J00-000	HOLDER, PTT RELAY	1		
8	09251-09002-000	CAP	2		
9	33920-92J21-000	UNIT, ENGINE CONTROL	1		DF140T/Z
9	33920-92J42-000	UNIT, ENGINE CONTROL	1		DF140T/Z, MODEL:05~07
9	33920-92J44-000	UNIT, ENGINE CONTROL	1		DF140T/Z, MODEL:08~
9	33920-92J11-000	UNIT, ENGINE CONTROL	1		DF140WT
9	33920-92J52-000	UNIT, ENGINE CONTROL	1		DF140WT/WZ, MODEL:05~07
9	33920-92J54-000	UNIT, ENGINE CONTROL	1		DF140WT/WZ, MODEL:08~
10	33925-87J00-000	CUSHION, ENGINE CONTROL UNIT	1		
11	09404-06432-000	CLAMP	2		
12	38860-76F01-000	RELAY, ENGINE CONTROL UNIT	1		
13	38915-90J00-000	HOLDER, RELAY	1		
14	37722-93J00-000	SWITCH ASSY, TILT LIMIT	1		
14	37722-93J11-000	SWITCH ASSY, TILT LIMIT	1		DF140T:682149~, DF140Z:680234~
15	09403-09316-000	CLAMP, TILT LIMIT LEAD	1		DF140T:~682148, DF140Z:~680233
16	09407-14407-000	CLAMP, TILT LIMIT LEAD	1		
16	09407-14407-000	CLAMP, TILT LIMIT LEAD	2		DF140T:682149~, DF140Z:680234~
17	09103-06152-000	BOLT (6X12)	1		DF140T:~682148, DF140Z:~680233
18	37721-93J00-000	SWITCH ASSY, NEUTRAL	1		DF140T:682149~, DF140Z:680234~
19	37726-90J10-000	BRACKET, NEUTRAL SWITCH	1		DF140T:682149~, DF140Z:680234~
20	09137-04004-000	SCREW, NEUTRAL SWITCH	2		DF140T:682149~, DF140Z:680234~
21	09403-06316-000	CLAMP, NEUTRAL SW LEAD WIRE	1		DF140T:682149~, DF140Z:680234~

DP002600.TIF DF140TLK11(E1) K11 2011 / CLAMP BRACKET

FIG.42



DF140T 140Z E01_042
CLAMP BRACKET

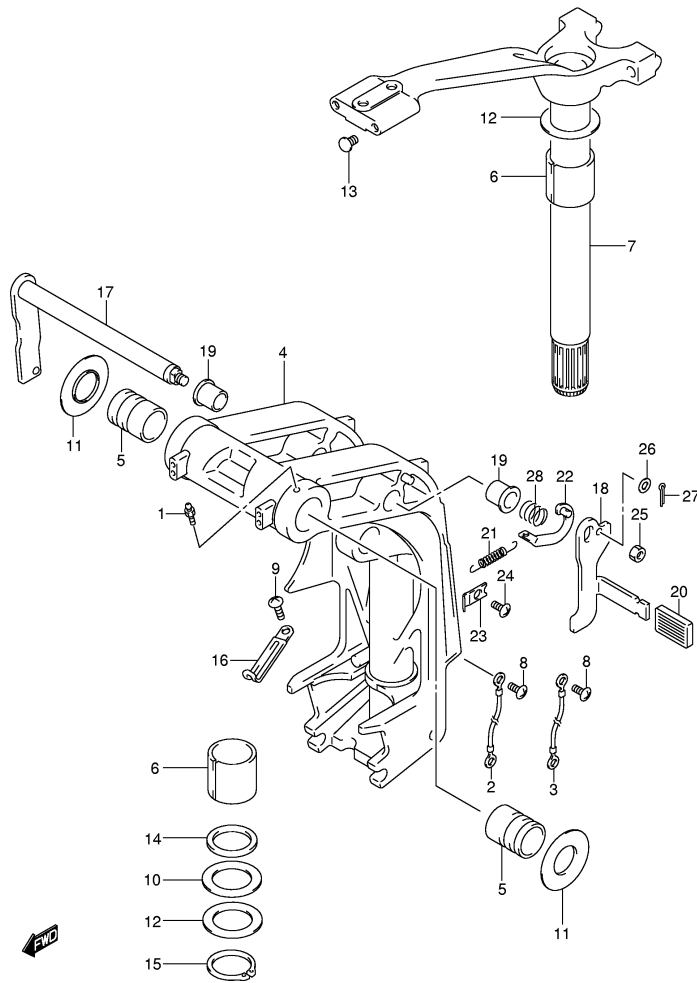
Part List

DP002600.TIF DF140TLK11(E1) K11 2011 / CLAMP BRACKET

REF NO	PART NO	DESCRIPTION	QTY	KIT	NOTES
1	41111-92J03-0EP	BRACKET, CLAMP STBD (BLACK)	1		
2	41121-92J04-0EP	BRACKET, CLAMP PORT (BLACK)	1		
3	41130-95541-000	SHAFT, CLAMP BRKT	1		<-1130-95540
3	41130-95542-000	SHAFT, CLAMP BRKT	1		MODEL:04,05
3	41130-95543-000	SHAFT, CLAMP BRKT	1		DF140T:513458~, DF140Z:510407~
3	41130-92J01-000	SHAFT, CLAMP BRKT	1		DF140T:682149~, DF140Z:680234~
4	41135-92J00-000	WASHER, CLAMP BRACKET SHAFT	1		
5	41153-94500-000	CAP, TRANSOM BOLT	4		
6	55320-94900-000	ZINC, PROTECTION	1		
7	09116-06121-000	BOLT (6X25)	2	*	
8	09100-12083-000	BOLT (12X150,PITCH:1.75)	4		->9100-12090, USED WITH 09159-12014
8	09100-12090-000	BOLT (12X150,PITCH:1.25)	4		DF140T:511173~, DF140Z:510166~
8	09100-12045-000	BOLT (12X115,PITCH:1.75)	1		OPT, ->9100-12091, USED WITH 09159-12014
8	09100-12091-000	BOLT (12X115,PITCH:1.25)	1		OPT, DF140T:511173~, DF140Z:510166~
9	09125-06063-000	SCREW (6X10)	1		
10	09140-12028-000	NUT (M12,PITCH:1.75)	4		
10	09159-12014-000	NUT (M12,PITCH:1.25)	4		DF140T:511173~, DF140Z:510166~
11	09159-22006-000	NUT	1		
12	09160-12044-000	WASHER (12.5X35X3.2)	4		
13	09160-12066-000	WASHER (12.5X22X2.5)	4		
13	09160-12110-000	WASHER (12.5X22X3.0)	4		DF140T:511173~, DF140Z:510166~
14	09162-12005-000	WASHER, LOCK (12.2X21.5X3.0)	4		DF140T:~511172, DF140Z:~510165
15	09106-10065-000	BOLT (10X20)	2		
16	29160-93J00-000	WASHER (10.5X19X2.0)	2		<-9160-10082
17	45421-87D01-000	PIN, TILT LOCK	1		
18	09159-14020-000	NUT	2		
19	29404-93J10-000	CLAMP	1		<-9404-06432
20	48140-93J00-000	CAM, TILT LIMIT SWITCH	1		MODEL:04~
21	48144-93J00-000	HOLDER, TILT LIMIT SWITCH	1		MODEL:04~
22	09103-06093-000	BOLT (6X20)	2		MODEL:04,05
22	09103-06278-000	BOLT (6X25)	2		DF140T:514980~, DF140Z:510527~
23	55321-94910-000	ANODE (MAGNESIUM)	1		OPT
24	48145-93J00-000	COVER, TILT LIMIT SWITCH	1		DF140T:514980~, DF140Z:510527~

DP001791.TIF DF140TLK11(E1) K11 2011 / SWIVEL BRACKET

FIG.43



DF140T 140Z E01_043
SWIVEL BRACKET

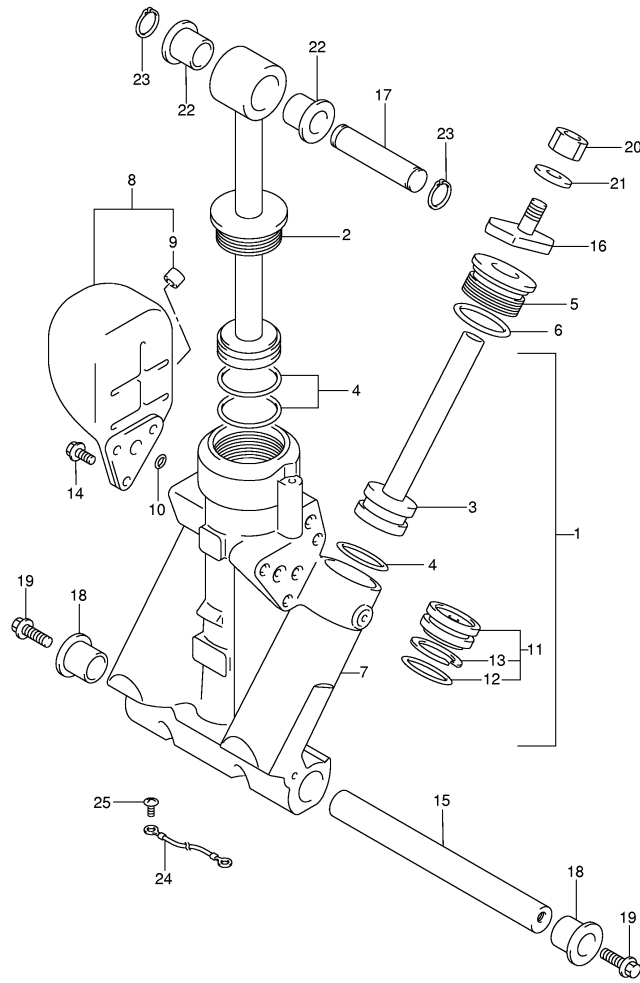
Part List

DP001791.TIF DF140TLK11(E1) K11 2011 / SWIVEL BRACKET

REF NO	PART NO	DESCRIPTION	QTY	KIT	NOTES
1	22511-99010-000	NIPPLE, GREASE	5		
1	22511-99011-000	NIPPLE, GREASE	4		DF140T:682149~, DF140Z:680234~
2	36894-95201-000	LEAD (CLAMP TO SWIVEL)	1		
3	36894-87D00-000	LEAD (SWIVEL TO MOUNT BRKT)	1		
4	43111-92J01-0EP	BRACKET, SWIVEL (BLACK)	1		TYPE:L
4	43111-92J20-0EP	BRACKET, SWIVEL (BLACK)	1		TYPE:L MODEL:04~06
4	43111-92J40-0EP	BRACKET, SWIVEL (BLACK)	1		TYPE:L, DF140T:682149~, DF140Z:680234~
4	43111-92J11-0EP	BRACKET, SWIVEL (BLACK)	1		TYPE:X
4	43111-92J30-0EP	BRACKET, SWIVEL (BLACK)	1		TYPE:X MODEL:04~06
4	43111-92J50-0EP	BRACKET, SWIVEL (BLACK)	1		TYPE:X, DF140T:682149~, DF140Z:680234~
5	43211-87D00-000	BUSH, CLAMP SHAFT SWIVEL	2		
5	43211-93J00-000	BUSH, CLAMP SHAFT SWIVEL	2		DF140T:682149~, DF140Z:680234~
6	43711-97E00-000	BUSH, STEERING	2		
7	43750-90J00-0EP	BRACKET, STEERING (BLACK)	1		TYPE:L
7	43750-90J22-0EP	BRACKET, STEERING (BLACK)	1		TYPE:L, DF140T:682149~, DF140Z:680234~
7	43750-90J11-0EP	BRACKET, STEERING (BLACK)	1		TYPE:X
7	43750-90J32-0EP	BRACKET, STEERING (BLACK)	1		TYPE:X, DF140T:682149~, DF140Z:680234~
8	29125-93J10-000	SCREW (5X8)	3		<-9125-05050
9	09125-06063-000	SCREW (6X10)	2		
10	09160-39001-000	WASHER (39.5X64X1.0)	2		
11	09169-28003-000	WASHER	2		
12	09181-39001-000	SHIM (39.5X64X0.3)	4		
13	09250-10001-000	PLUG	2		
14	09282-39001-000	SEAL, OIL	1		
15	09380-38003-000	CIRCLIP	1		
16	29404-93J10-000	CLAMP	2		<-9404-06432
17	41220-95E13-000	LEVER, TILT LOCK	1		
18	41221-95E40-000	LEVER, TILT LOCK PORT	1		
19	41224-95E01-000	BUSH, TILT STOPPER ROD	2		
20	41225-94400-000	RUBBER, TILT LOCK LEVER	1		
21	41228-90J00-000	SPRING, TILT LOCK LEVER	1		
22	41230-95E00-000	LINK, TILT LOCK LEVER	1		
23	41233-95E10-000	BRACKET, TILT LOCK SPRING	1		
24	09125-06063-000	SCREW (6X10)	1		
25	09140-10032-000	NUT	1		
26	09160-06082-000	WASHER (6.5X13X1.0)	1		
27	09204-01006-000	PIN, COTTER	1		
28	09440-19028-000	SPRING	1		

DP001507.TIF DF140TLK11(E1) K11 2011 / TRIM CYLINDER

FIG.44



DF140T 140Z E01_044
TRIM CYLINDER

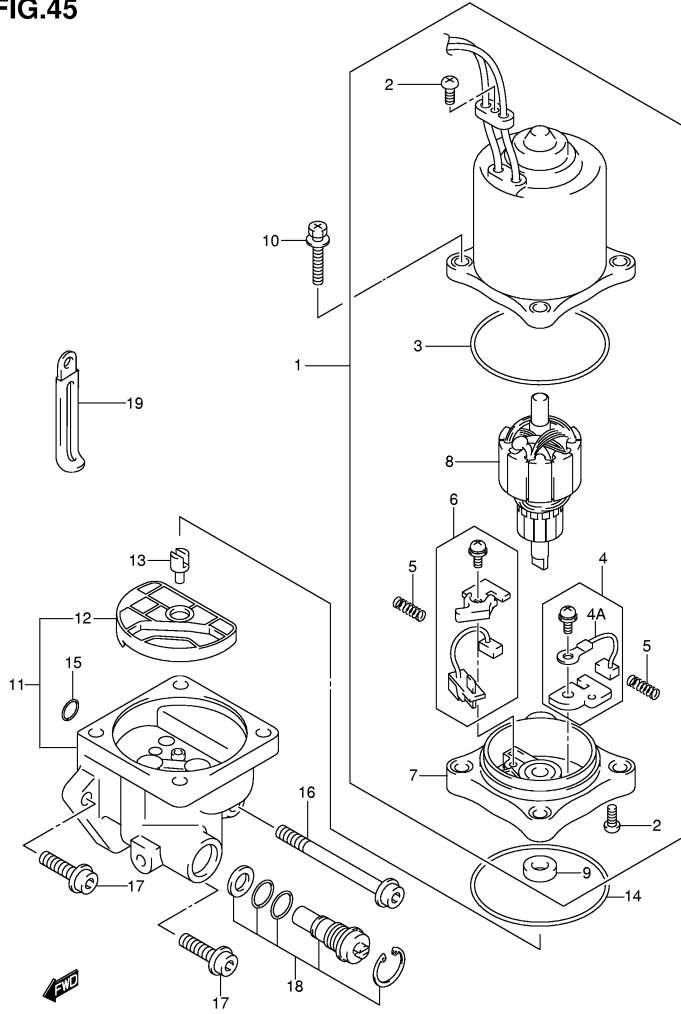
Part List

DP001507.TIF DF140TLK11(E1) K11 2011 / TRIM CYLINDER

REF NO	PART NO	DESCRIPTION	QTY	KIT	NOTES
1	48503-92J01-000	MANIFOLD SUB ASSY	1		
2	48401-92J00-000	PISTON ASSY	1	*	
2	48401-92J01-000	PISTON ASSY	1	*	DF140T:883609~, DF140Z:880275~
3	48601-94900-000	PISTON / RAM ASSY	2	*	
4	48627-95E00-000	O RING SET	3	*	
5	48630-92J00-000	HEAD, TRIM CYLINDER	2	*	
5	48630-96J01-000	HEAD, TRIM CYLINDER	2	*	DF140T:883609~, DF140Z:880275~
6	48633-94900-000	O RING	2	*	
7	48641-92J00-000	MANIFOLD, PTT	1	*	
7	48641-96J01-000	MANIFOLD, PTT	1	*	DF140T:883609~, DF140Z:880275~
8	48570-95E00-000	RESERVOIR	1	*	
9	48572-95E00-000	CAP	1	**	
10	48588-94900-000	O RING	3	*	
11	48650-94900-000	PISTON, FREE	2	*	
12	48405-87D00-000	O RING	2	**	
13	48615-97E00-000	RING SET, PISTON	2	**	
14	48861-92J00-000	BOLT, RESERVOIR	3	*	
15	48121-92J00-000	SHAFT, TILT CYL LOWER	1		
16	48311-94501-000	PAD, TRIM CYL RAM	2		
17	48321-87D03-000	SHAFT, TILT CYL UPPER	1		
18	48326-95E00-000	BUSH, TILT CYL LOWER	2		
19	09116-10131-000	BOLT (10X35)	2		
20	09140-08023-XC0	NUT	2		<-9140-08016
21	29162-93J10-000	LOCK WASHER (8.2X15.4X2.0)	2		<-9162-08007
22	09306-17001-000	BUSH	2		
23	09380-17009-000	CIRCLIP	2		UPPER
24	36894-87D00-000	LEAD	1		
25	09125-06063-000	SCREW (6X10)	1		

DP003268.TIF DF140TLK11(E1) K11 2011 / PTT MOTOR

FIG.45



DF140T 140Z E01_045
PTT MOTOR

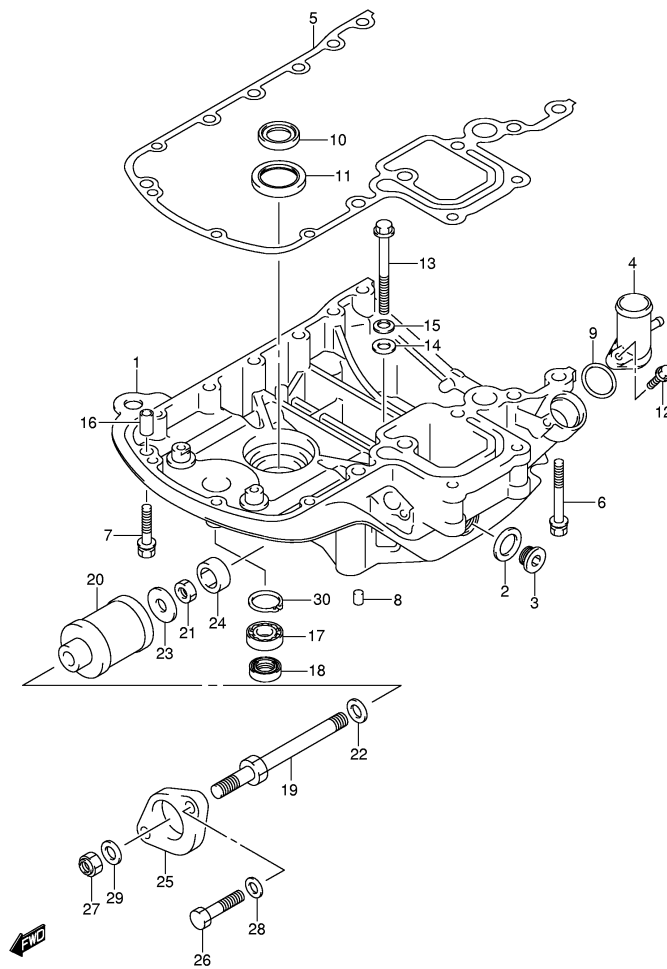
Part List

DP003268.TIF DF140TLK11(E1) K11 2011 / PTT MOTOR

REF NO	PART NO	DESCRIPTION	QTY	KIT	NOTES
1	38100-92J01-000	MOTOR ASSY, PTT	1		
1	38100-92J02-000	MOTOR ASSY, PTT	1		MODEL:03
1	38100-92J10-000	MOTOR ASSY, PTT	1		MODEL:04~
2	31111-94900-000	SCREW, YOKE	2	*	
3	31123-94900-000	O RING	1	*	
4	31133-90J00-000	BRUSH SET, PLUS	1	*	
4A	31133-94900-000	BRUSH	1	**	
5	31135-94900-000	SPRING	2	*	
6	31136-90J10-000	BREAKER	1	*	
7	31173-94900-000	HOLDER, BRUSH	1	*	
8	31311-94900-000	ARMATURE	1	*	
9	33799-97E00-000	OIL SEAL	1	*	
10	31281-92J00-000	BOLT	4		
11	48502-92J03-000	PUMP ASSY	1		
12	48582-95E01-000	FILTER	1	*	
13	48583-95E00-000	JOINT, DRIVE	1		
14	48585-95E00-000	O RING	1		
15	48588-94900-000	O RING SET	1		
16	48862-92J00-000	BOLT	1		
17	48862-92J10-000	BOLT	2		
18	48864-92J01-000	VALVE, MANUAL	1		
19	29404-93110-000	CLAMP	1		<-9404-06432

DP004735.TIF DF140TLK11(E1) K11 2011 / ENGINE HOLDER

FIG.46



DF140T 140Z E01_046
ENGINE HOLDER (1)

Part List

DP004735.TIF DF140TLK11(E1) K11 2011 / ENGINE HOLDER

REF NO	PART NO	DESCRIPTION	QTY	KIT	NOTES
1	51110-90810-0EP	HOLDER, ENGINE (BLACK)	1		INC.NO.2,3,10,11, FIG.5 NO.7, ->1110-90830-0EP, CONTENTS, SHAFT,CLUTCH, LINK,CLUTCH COVER, PLUG,CLUTCH SHAFT, HOLDER SET (51110-90820-0EP)
1	51110-90821-0EP	HOLDER SET, ENGINE (BLACK)	1		DF140T:375472~, DF140Z:371347~, DF140WT:376072~, DF140WZ, INC.NO.2,3,10,11,17,18,30, FIG.5 NO.7
1	51110-90822-0EP	HOLDER SET, ENGINE (BLACK)	1		DF140T:513458~, DF140Z:510407~, INC.NO.2,3,10,11,17,18,30, FIG.5 NO.7
2	09160-18031-000	GASKET (18.5X28X2.6)	1	*	
3	09248-18006-000	PLUG	1	*	
3	09248-18010-000	PLUG	1	*	DF140T:513458~, DF140Z:510407~
4	51115-90J00-000	UNION, WATER RETURN	1		
5	51211-90J10-000	GASKET, ENGINE HOLDER	1		<-1211-90J02
6	09116-08119-000	BOLT (8X70)	4		
7	09116-08128-000	BOLT (8X40)	4		<-9116-08098
8	09206-08001-000	PIN	2		
9	09280-26006-000	O RING (D:3.1,ID:26.4)	1		
10	09282-24003-000	SEAL, OIL	2		
11	09283-32044-000	SEAL, OIL	1		
12	01550-06257-000	BOLT	1		
13	01550-08903-000	BOLT	1		
14	09160-08053-000	WASHER (8.5X19X2.3)	1		
15	09164-08020-000	WASHER, WAVE (8.4X17X1.8)	1		
16	04211-11129-000	PIN	3		
17	09262-17019-000	BEARING, CLUTCH SHAFT	1		DF140T:375472~, DF140Z:371347~, DF140WT:376072~, DF140WZ
18	09289-18001-000	SEAL, CLUTCH SHAFT	1		DF140T:375472~, DF140Z:371347~, DF140WT:376072~, DF140WZ
19	54112-90J10-000	BOLT, UPPER MOUNT	2		<-4112-90J02
20	54130-90J31-000	MOUNT, UPPER	2		<-4130-90J20
21	09140-12029-000	NUT	2		
22	54113-90J00-000	WASHER (12.5X24X2.5)	2		<-9160-12099
23	09160-12110-000	WASHER (12.5X22X3.0)	2		<-9160-12101

24	54125-90J00-000	MOUNT, UPPER THRUST REVERSE	2	
25	54148-90J01-0EP	COVER, UPPER MOUNT (BLACK)	2	
26	09100-10157-000	BOLT (10X45)	4	
26	09116-10139-000	BOLT (W/WASHER)	4	MODEL:06
27	09159-12014-000	NUT	2	
28	09160-10082-000	WASHER (10.5X19X2.0)	4	MODEL02~05
29	09164-13007-000	WASHER (12.5X22X2.5)	2	
30	08331-41356-000	CIRCLIP	1	DF140T:510851~, DF140Z:510118~

Page Notes

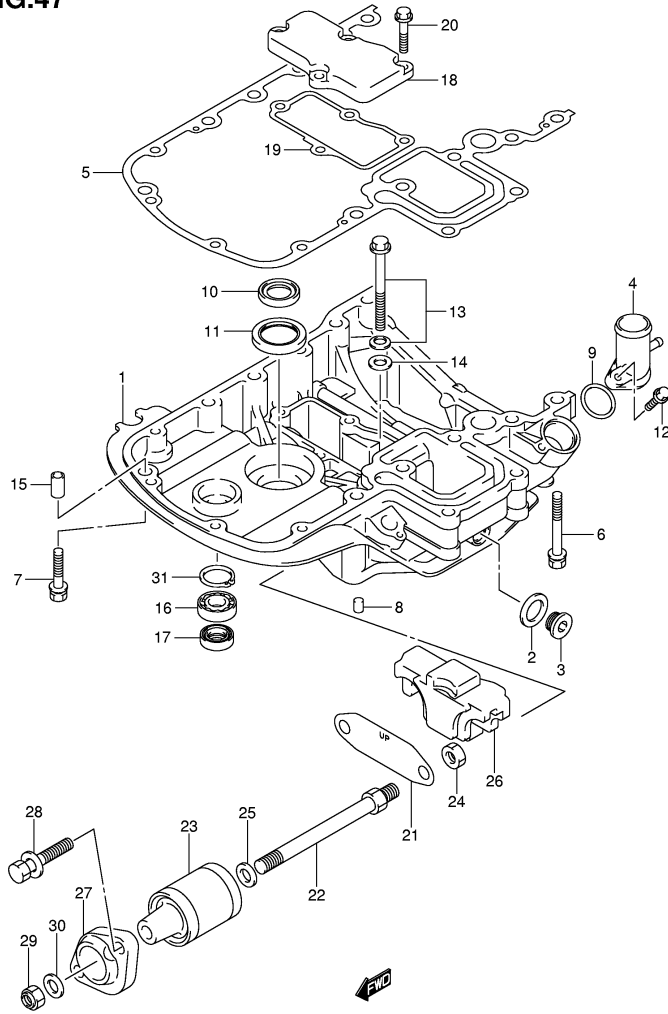
DP004735.TIF DF140TLK11(E1) K11 2011 / ENGINE HOLDER

NOTE TEXT

OEM: REFER TO FIG.47(G-10) FOR DF140T/WT:682149%,DF140Z/WZ:680234%

DP002921.TIF DF140TLK11(E1) K11 2011 / ENGINE HOLDER (DF140T/WT:682149~,DF140Z/WZ:680234~)

FIG.47



DF140T 140Z E01_047
ENGINE HOLDER (2)

Part List

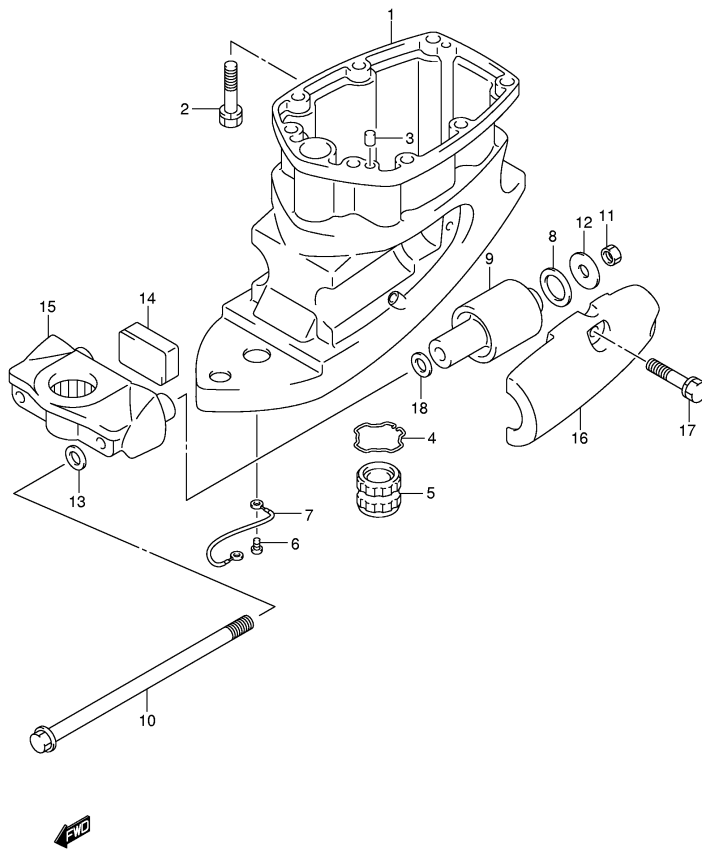
DP002921.TIF DF140TLK11(E1) K11 2011 / ENGINE HOLDER

(DF140T/WT:682149~,DF140Z/WZ:680234~)

REF NO	PART NO	DESCRIPTION	QTY	KIT	NOTES
1	51110-90840-0EP	HOLDER SET, ENGINE (BLACK)	1		INC.NO.2,3,10,11,16,17,31, FIG.5 NO.7
1	51110-90841-0EP	HOLDER SET, ENGINE (BLACK)	1		MODEL:07
1	51110-90842-0EP	HOLDER SET, ENGINE (BLACK)	1		MODEL:08~
2	09160-18031-000	GASKET (18.5X28X2.6)	1	*	~MODEL:07
3	09248-18010-000	PLUG	1	*	~MODEL:07
4	51115-90J00-000	UNION, WATER RETURN	1		
5	51211-90J21-000	GASKET, ENGINE HOLDER	1		
6	09116-08119-000	BOLT (8X70)	4		
7	09116-08128-000	BOLT (8X40)	4		
8	09206-08001-000	PIN	2		
9	09280-26006-000	O RING (D:3.1,ID:26.4)	1		
10	09282-24003-000	SEAL, OIL	2		
11	09283-32044-000	SEAL, OIL	1		
12	01550-06257-000	BOLT	1		
13	29117-93J10-000	BOLT (W/WASHER) (8X45)	1		<-9117-08038
14	09160-08059-000	WASHER (8.5X18X1.6)	1		
15	04211-11129-000	PIN	3		
16	09262-17019-000	BEARING, CLUTCH SHAFT	1		
17	09289-18001-000	SEAL, CLUTCH SHAFT	1		
18	51122-90J00-000	COVER, MOUNT CASE	1		
19	51123-90J01-000	GASKET, MOUNT CASE COVER	1		
20	01550-0825A-000	BOLT	4		
21	54123-90J00-000	PLATE, UPPER MOUNT	1		
22	54112-90J21-000	BOLT, UPPER MOUNT	2		
23	54130-90J40-000	MOUNT, UPPER	2		
24	09159-12014-000	NUT	2		
25	54114-90J01-000	WASHER (12.5X22X3)	2		
26	54125-90J10-000	MOUNT, UPPER THRUST	1		
27	54148-90J11-0EP	COVER, UPPER MOUNT (BLACK)	2		
28	09116-10139-000	BOLT (W/WASHER)(10X44)	4		
29	09159-12014-000	NUT	2		
30	09160-12110-000	WASHER (12.5X22X3)	2		
31	08331-41359-000	CIRCLIP	1		

DP001575.TIF DF140TLK11(E1) K11 2011 / DRIVE SHAFT HOUSING

FIG.48

DF140T 140Z E01_048
DRIVE SHAFT HOUSING

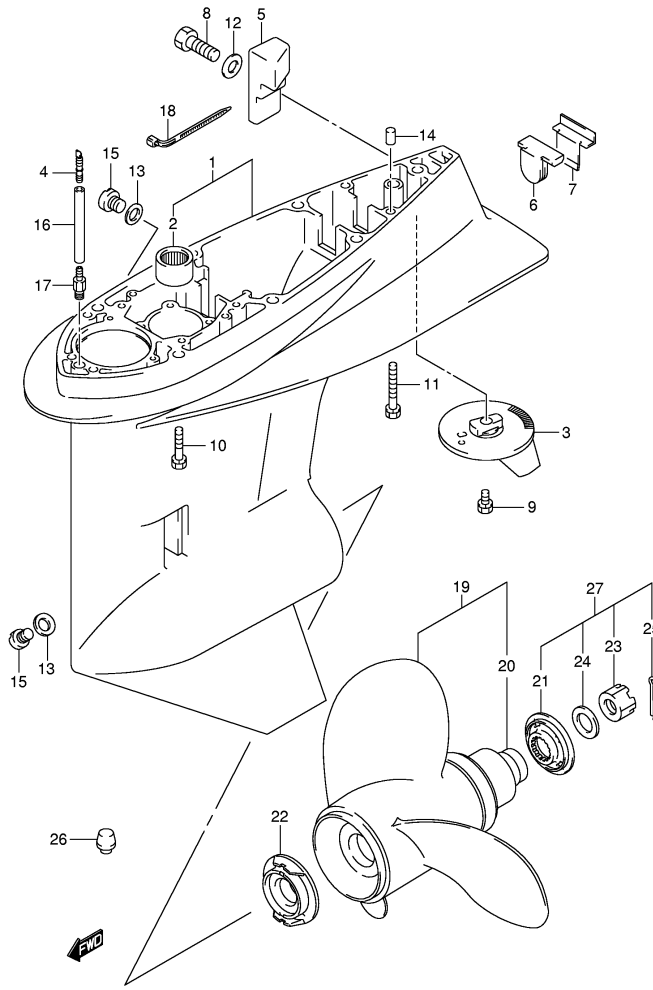
Part List

DP001575.TIF DF140TLK11(E1) K11 2011 / DRIVE SHAFT HOUSING

REF NO	PART NO	DESCRIPTION	QTY	KIT	NOTES
1	52111-90J02-0EP	HOUSING, DRIVE SHAFT (BLACK)	1		TYPE:L
1	52111-90J12-0EP	HOUSING, DRIVE SHAFT (BLACK)	1		TYPE:X
2	09117-10034-000	BOLT (10X45)	8		
2	09117-10058-000	BOLT (10X45)	8		MODEL:05~
3	09202-08006-000	PIN, KNOCK	2		
4	09387-45001-000	CIRCLIP	1		TYPE:X
5	57130-92J01-000	BUSH, DRIVE SHAFT	1		TYPE:X
6	09125-06063-000	SCREW (6X10)	2		
7	36895-87D01-000	LEAD	1		
7	36895-87D10-000	LEAD (SWIVEL TO HSG)	1		DF140T:682149~, DF140Z:680234~
8	54121-87D00-000	DAMPER, REVERSE STOPPER LOWER	2		
9	54160-90J20-000	MOUNT, LOWER	2		
10	54166-90J11-000	BOLT (12X231)	2		<-9100-12079
11	09159-12014-000	NUT	2		
12	09160-12112-000	WASHER (12X40X3.0)	2		<-9160-12065
13	54114-90J01-000	WASHER (12.5X22X3.0)	2		<-9160-12066
14	54151-90J00-000	MOUNT, LOWER THRUST	1		
15	54211-90J01-0EP	BRACKET, LOWER MOUNT (BLACK)	1		
16	54221-90J02-0EP	COVER, LOWER MOUNT (BLACK)	2		
17	09117-10034-000	BOLT (10X45)	6		
17	09117-10058-000	BOLT (10X45)	6		MODEL:05~
18	09160-12113-000	WASHER (12.5X30X2.5)	2		<-9160-12098

DP002826.TIF DF140TLK11(E1) K11 2011 / GEAR CASE (DF140T/WT)

FIG.49



DF140T 140Z E01_049
GEAR CASE (1)

Part List

DP002826.TIF DF140TLK11(E1) K11 2011 / GEAR CASE (DF140T/WT)

REF NO	PART NO	DESCRIPTION	QTY	KIT	NOTES
1	55110-90J15-0EP	CASE, GEAR (BLACK)	1		
2	09263-28016-000	BEARING, PINION	1	*	
3	55125-90J01-000	TAB, TRIM	1		
4	55127-87D00-000	UNION, SPEEDOMETER HOSE	1		
5	55321-90J01-000	ANODE, GEAR CASE	1		
6	55332-87D11-000	RUBBER, EXHAUST SEAL	1		
7	55333-87D10-000	PLATE, EXHAUST SEAL	1		
8	09100-06131-000	BOLT (6X12)	1		
9	09116-08137-000	BOLT, TRIM TAB (8X22)	1		<-9116-08103
10	09117-10038-000	BOLT (10X55)	6		
10	09116-10150-000	BOLT (10X55)	6		MODEL:04~
11	09117-10039-000	BOLT (10X80)	1		
12	09160-06085-000	WASHER (6.5X15X1.0)	1		
13	09168-10022-000	GASKET, DRAIN PLUG	2		
14	09202-08006-000	PIN	2		
15	09248-10008-000	PLUG, DRAIN	2		
16	09355-40805-00B	HOSE	1		TYPE:L, L:2000->40, L:2000->100 MODEL:08~
16	09355-40805-00B	HOSE	1		TYPE:X, L:2000->100
17	09362-09008-000	NIPPLE	1		
18	09407-14407-000	CLAMP	3		
19	58100-90J01-019	PROPELLER (3X14X17)	1		
19	58100-90J11-019	PROPELLER (3X14X19)	1		
19	58100-90J21-019	PROPELLER (3X14X21)	1		
19	58100-90J31-019	PROPELLER (3X14X23)	1		
19	58100-90J41-019	PROPELLER (3X13.5X15)	1		
19	58200-90J00-000	PROPELLER (3X14.25X18)	1		OPT SUS
19	58200-90J10-000	PROPELLER (3X14.25X20)	1		OPT SUS
19	58200-90J20-000	PROPELLER (3X14.25X22)	1		OPT SUS
19	58200-90J30-000	PROPELLER (3X14.25X24)	1		OPT SUS
20	58120-90J00-000	BUSH	1	*	
21	57633-90J02-000	SPACER, PROPELLER NUT	1		
22	57635-92J01-000	STOPPER, PROPELLER BUSH	1		<-7635-92J00
23	09141-18005-000	NUT	1		
24	09160-18028-000	WASHER	1		
25	09204-03003-000	PIN	1		
26	55116-87E00-000	PLUG	1		OPT
27	57630-90J00-000	KIT, PROPELLER NUT	1		OPT
28	25700-92J00-000	SEALING KIT, GEAR CASE	1		OPT NOT SHOWN

Page Notes

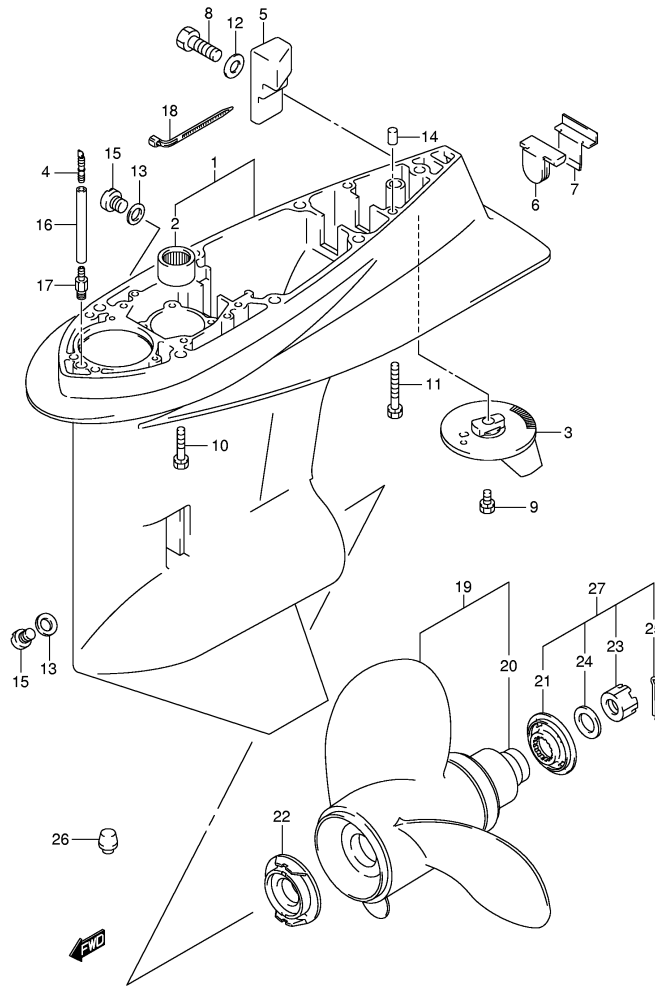
DP002826.TIF DF140TLK11(E1) K11 2011 / GEAR CASE (DF140T/WT)

NOTE TEXT

OEM: REFER TO FIG.50(G-14) FOR DF140Z/WZ COUNTER ROTATION

DP000325.TIF DF140TLK11(E1) K11 2011 / GEAR CASE (DF140Z/WZ COUNTER ROTATION)

FIG.50



DF140T 140Z E01_050
GEAR CASE (2)

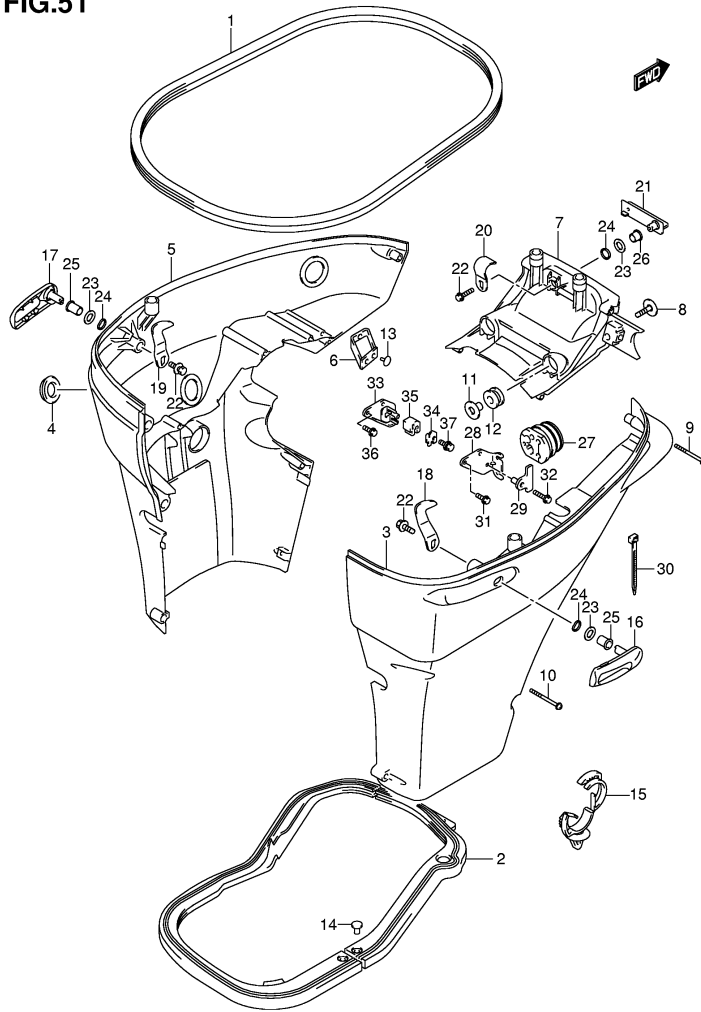
Part List

DP000325.TIF DF140TLK11(E1) K11 2011 / GEAR CASE (DF140Z/WZ COUNTER ROTATION)

REF NO	PART NO	DESCRIPTION	QTY	KIT	NOTES
1	55110-92J00-0EP	CASE, GEAR (BLACK)	1		
2	09263-28016-000	BEARING, PINION	1	*	
3	55125-92J00-000	TAB, TRIM	1		
4	55127-87D00-000	UNION, SPEEDOMETER HOSE	1		
5	55321-90J01-000	ANODE, GEAR CASE	1		
6	55332-87D11-000	RUBBER, EXHAUST SEAL	1		
7	55333-87D10-000	PLATE, EXHAUST SEAL	1		
8	09100-06131-000	BOLT (6X12)	1		
9	09116-08137-000	BOLT (8X22)	1		<-9116-08103
10	09117-10038-000	BOLT (10X55)	6		
10	09116-10150-000	BOLT (10X55)	6		MODEL:04~
11	09117-10039-000	BOLT (10X80)	1		
12	09160-06085-000	WASHER (6.5X15X1.0)	1		
13	09168-10022-000	GASKET (10X17X1.5)	2		
14	09202-08006-000	PIN	2		
15	09248-10008-000	PLUG, DRAIN	2		
16	09355-40805-00B	HOSE	1		TYPE:L, L:2000->40, L:2000->100 MODEL:08~
16	09355-40805-00B	HOSE	1		TYPE:X, L:2000->100
17	09362-09008-000	NIPPLE	1		
18	09407-14407-000	CLAMP	3		
19	58200-92J00-000	PROPELLER (3X14.25X18)	1		OPT SUS, COUNTER ROTATION
19	58200-92J10-000	PROPELLER (3X14.25X20)	1		OPT SUS, COUNTER ROTATION
19	58200-92J20-000	PROPELLER (3X14.25X22)	1		OPT SUS, COUNTER ROTATION
19	58200-92J30-000	PROPELLER (3X14.25X24)	1		OPT SUS, COUNTER ROTATION
20	58120-90J00-000	BUSH	1	*	
21	57633-90J02-000	SPACER, PROPELLER	1		
22	57635-92J01-000	STOPPER, PROPELLER BUSH	1		<-7635-92J00
23	09141-18005-000	NUT	1		
24	09160-18028-000	WASHER (18.5X31X1.0)	1		
25	09204-03003-000	COTTER PIN (L:25)	1		
26	55116-87E00-000	PLUG	1		OPT
27	57630-90J00-000	KIT, PROPELLER NUT	1		OPT
28	25700-92J00-000	SEALING KIT, GEAR CASE	1		OPT NOT SHOWN

DP001349.TIF DF140TLK11(E1) K11 2011 / SIDE COVER

FIG.51



DF140T 140Z E01_051
SIDE COVER

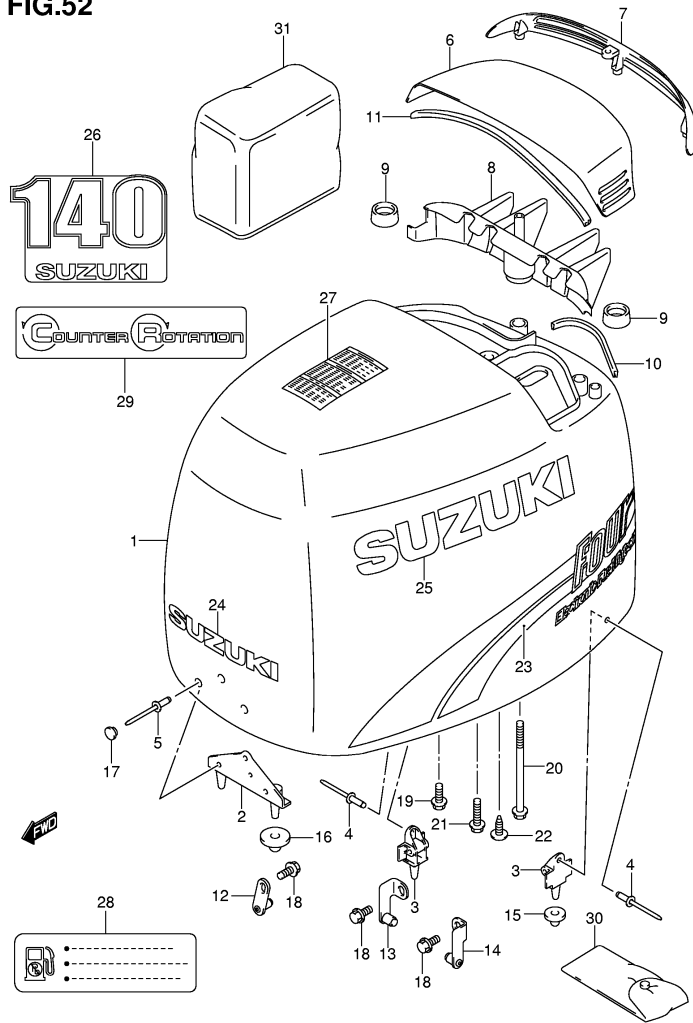
Part List

DP001349.TIF DF140TLK11(E1) K11 2011 / SIDE COVER

REF NO	PART NO	DESCRIPTION	QTY	KIT	NOTES
1	61112-90J00-000	RUBBER, SIDE COVER	1		
2	61134-90J01-000	SEAL, SIDE COVER	1		
2	61134-90J10-000	SEAL, SIDE COVER	1		MODEL:04~
3	61810-90J01-0EP	COVER, SIDE STBD (BLACK)	1		
4	61817-89J00-000	PLUG, SIDE COVER	1		
5	61820-90J01-0EP	COVER, SIDE PORT (BLACK)	1		
6	61827-90J00-000	HOLDER, SIDE COVER	1		
7	61831-90J01-0EP	PANEL, FRONT (BLACK)	1		->1831-90J02-0EP, USED WITH 09307-13006
7	61831-90J02-0EP	PANEL, FRONT (BLACK)	1		DF140T:421160~, DF140Z:421015~
7	61831-90J11-0EP	PANEL, FRONT (BLACK)	1		MODEL:07~
8	09118-08127-000	BOLT (8X40)	2		
9	09136-06148-000	SCREW (6X35)	7		
10	09136-06149-000	SCREW (6X55)	2		
11	09169-08039-000	WASHER	2		
12	09320-11013-000	CUSHION	2		
13	09321-08022-000	CUSHION	2		
14	09409-05302-5PK	PIN (BLACK)	2		
15	09403-20308-000	CLIP	1		
16	61633-90J01-0EP	LEVER, HOOK RR STBD (BLACK)	1		->1633-90J02-0EP, USED WITH 61637-90J02
16	61633-90J02-0EP	LEVER, HOOK REAR	1		DF140T:983426~, DF140Z:980324~
17	61634-90J01-0EP	LEVER, HOOK RR PORT (BLACK)	1		->1633-90J02-0EP, USED WITH 61638-90J02
17	61633-90J02-0EP	LEVER, HOOK REAR	1		DF140T:983426~, DF140Z:980324~
18	61637-90J00-000	HOOK, ENGINE COVER RR STBD	1		
18	61637-90J02-000	HOOK, ENGINE COVER RR STBD	1		DF140T:983426~, DF140Z:980324~
19	61638-90J00-000	HOOK, ENGINE COVER RR PORT	1		
19	61638-90J02-000	HOOK, ENGINE COVER RR PORT	1		DF140T:983426~, DF140Z:980324~
20	61641-87D00-000	HOOK, ENGINE COVER FR	1		
21	61645-90J01-0EP	LEVER, HOOK FR (BLACK)	1		
22	09116-06127-000	BOLT (6X12)	3		
23	09160-13014-000	WASHER (13.2X25X1.0)	3		
24	09164-14008-000	WASHER, WAVE	3		
25	09306-13008-000	BUSH	2		
26	09307-13003-000	BUSH	1		
26	09307-13006-000	BUSH	1		DF140T:421160~, DF140Z:421015~
27	61124-90J00-000	GROMMET, REMOCON CABLE	1		
27	61124-90J30-000	GROMMET, REMOCON CABLE	1		MODEL:07~
28	67341-90J01-000	HOLDER, REMOCON CABLE	1		MODEL:02, ->7300-90800
29	67343-90J01-000	STOPPER, REMOCON CABLE	1		MODEL:02
30	09407-25402-000	CLAMP	1		
31	01550-06167-000	BOLT	2		MODEL:02
32	01550-06257-000	BOLT	1		MODEL:02
33	67341-90J32-000	HOLDER, REMOCON CABLE	1		MODEL:03~
34	67343-90J20-000	STOPPER, REMOCON CABLE	1		MODEL:03~
35	67344-90J00-000	CUSHION, REMOCON CABLE HLD	1		MODEL:03~
36	01550-06167-000	BOLT	2		MODEL:03~
37	01580-08257-000	BOLT	1		MODEL:03~

DP004013.TIF DF140TLK11(E1) K11 2011 / ENGINE COVER (MODEL:02)

FIG.52



DF140T 140Z E01_052
ENGINE COVER (1)

Part List

DP004013.TIF DF140TLK11(E1) K11 2011 / ENGINE COVER (MODEL:02)

REF NO	PART NO	DESCRIPTION	QTY	KIT	NOTES
1	61400-92800-0EP	COVER SET, ENGINE (BLACK)	1		
2	61621-87D02-000	BRACKET, FASTENER FR	1	*	
3	61644-90J00-000	BRACKET, FASTENER RR	2	*	
4	09229-04028-000	RIVET	4	*	
5	09229-04046-000	RIVET	3	*	
6	61431-92J00-0EP	HANDLE, TILT UP (BLACK)	1	*	
7	61432-92J00-000	LOUVER, TILT UP HANDLE	1	*	
8	61433-92J00-000	COVER, AIR INTAKE INNER	1	*	
9	61438-92J00-000	CUSHION, AIR INTAKE INNER	2	*	
10	61439-90J00-000	SEAL, TILT UP HANDLE	1	*	
11	61439-92J00-000	SEAL, TILT UP HANDLE	1	*	
12	61610-90J21-000	FASTENER	1	*	
13	61680-90J00-000	FASTENER, REAR STBD	1	*	
14	61690-90J00-000	FASTENER, REAR PORT	1	*	
15	09329-10022-000	CUSHION	2	*	
16	09329-10023-000	CUSHION	2	*	
17	09250-12013-000	CAP	3	*	
18	01550-06127-000	BOLT	3	*	
19	01550-06167-000	BOLT	4	*	
20	01550-06957-000	BOLT	1	*	
21	29103-93J10-000	BOLT (6X20)	3	*	<-9103-06093
22	03542-06163-000	SCREW	3	*	
23	61443-90J00-000	STRIPE, ENGINE COVER STBD	1	*	
23	61453-90J00-000	STRIPE, ENGINE COVER PORT	1	*	
24	68111-47C10-Y2D	MARK, EMBLEM (SILVER)	1	*	
25	68681-19C00-Y2D	MARK, EMBLEM SIDE (SILVER)	2	*	
26	61435-92J00-000	MARK, EMBLEM REAR	1		
27	61458-99E31-000	LABEL, ENGINE COVER	1		
28	69716-99E13-000	LABEL, FUEL LIMITATION	1		
29	61469-87D00-HY6	MARK, COUNTER ROTATION	1		DF140Z
30	09800-81840-000	TOOL SET	1		
31	68110-87D01-000	COVER, WEATHER	1		OPT

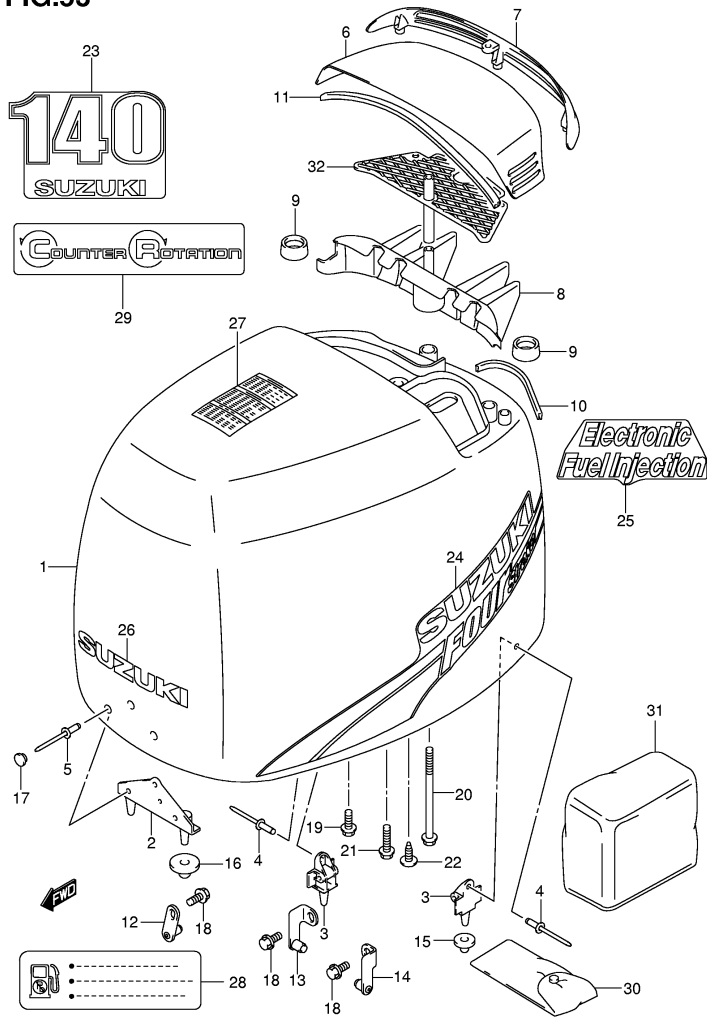
Page Notes

DP004013.TIF DF140TLK11(E1) K11 2011 / ENGINE COVER (MODEL:02)

NOTE TEXT
OEM: COLOR : HY6(BLACK/SILVER)
OEM: REFER TO FIG.53 (H- 5) FOR MODEL:03%09
OEM: REFER TO FIG.53A(H- 7) FOR MODEL:10%

DP001194.TIF DF140TLK11(E1) K11 2011 / ENGINE COVER (MODEL:03~09)

FIG.53



DF140T 140Z E01_053
ENGINE COVER (2)

Part List

DP001194.TIF DF140TLK11(E1) K11 2011 / ENGINE COVER (MODEL:03~09)

REF NO	PART NO	DESCRIPTION	QTY	KIT	NOTES
1	61410-92844-0EP	COVER SET, ENGINE (BLACK)	1		
2	61621-87D02-000	BRACKET, FASTENER FR	1	*	
3	61644-90J00-000	BRACKET, FASTENER RR	2	*	
4	09229-04028-000	RIVET	4	*	
4	09229-04025-000	RIVET	4	*	MODEL:05~09
5	09229-04046-000	RIVET	3	*	
6	61431-92J00-0EP	HANDLE, TILT UP (BLACK)	1	*	
6	61431-92J01-0EP	HANDLE, TILT UP (BLACK)	1	*	MODEL:08~09
7	61432-92J00-000	LOUVER, TILT UP HANDLE	1	*	
8	61433-92J00-000	COVER, AIR INTAKE INNER	1	*	
9	61438-92J00-000	CUSHION, AIR INTAKE INNER	2	*	
10	61439-90J00-000	SEAL, TILT UP HANDLE	1	*	
11	61439-92J00-000	SEAL, TILT UP HANDLE	1	*	
12	61610-90J22-000	FASTENER	1	*	
13	61680-90J00-000	FASTENER, REAR STBD	1	*	
14	61690-90J00-000	FASTENER, REAR PORT	1	*	
15	09329-10022-000	CUSHION	2	*	
16	09329-10023-000	CUSHION	2	*	
17	09250-12013-000	CAP	3	*	
18	01550-06127-000	BOLT	3	*	
19	01550-06167-000	BOLT	4	*	
20	01550-06957-000	BOLT	1	*	
21	29103-93J10-000	BOLT (6X20)	3	*	<-9103-06093
22	03542-06169-000	SCREW	3	*	
23	61435-92J11-000	MARK, EMBLEM REAR	1	*	
24	61443-90J11-000	STRIPE, ENGINE COVER STBD	1	*	
24	61453-90J11-000	STRIPE, ENGINE COVER PORT	1	*	
25	61446-87J01-000	DECAL, EFI	1	*	
26	68111-90J01-000	MARK, EMBLEM (SILVER)	1	*	<-8111-47C10-Y2D
27	61458-99E31-000	LABEL, ENGINE COVER	1		
28	69716-99E13-000	LABEL, FUEL LIMITATION	1		
29	61469-87D00-HY6	MARK, COUNTER ROTATION	1		DF140Z MODEL:03
30	09800-81840-000	TOOL SET	1		
31	68110-87D01-000	COVER, WEATHER	1		OPT
32	61580-92J00-000	PLATE, AIR INTAKE INNER	1		OPT

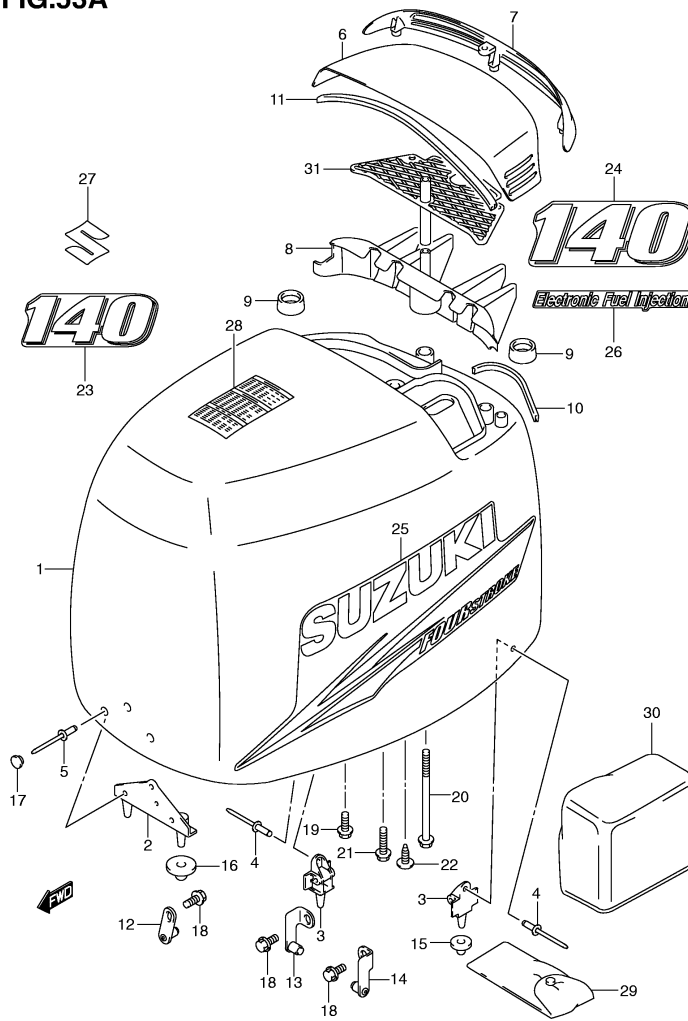
Page Notes

DP001194.TIF DF140TLK11(E1) K11 2011 / ENGINE COVER (MODEL:03~09)

NOTE TEXT
OEM: REFER TO FIG.53A(H- 7) FOR MODEL:10%

DP005787.TIF DF140TLK11(E1) K11 2011 / ENGINE COVER (MODEL:10~)

FIG.53A



DF140T 140Z E01_053A
ENGINE COVER (MODEL:10)

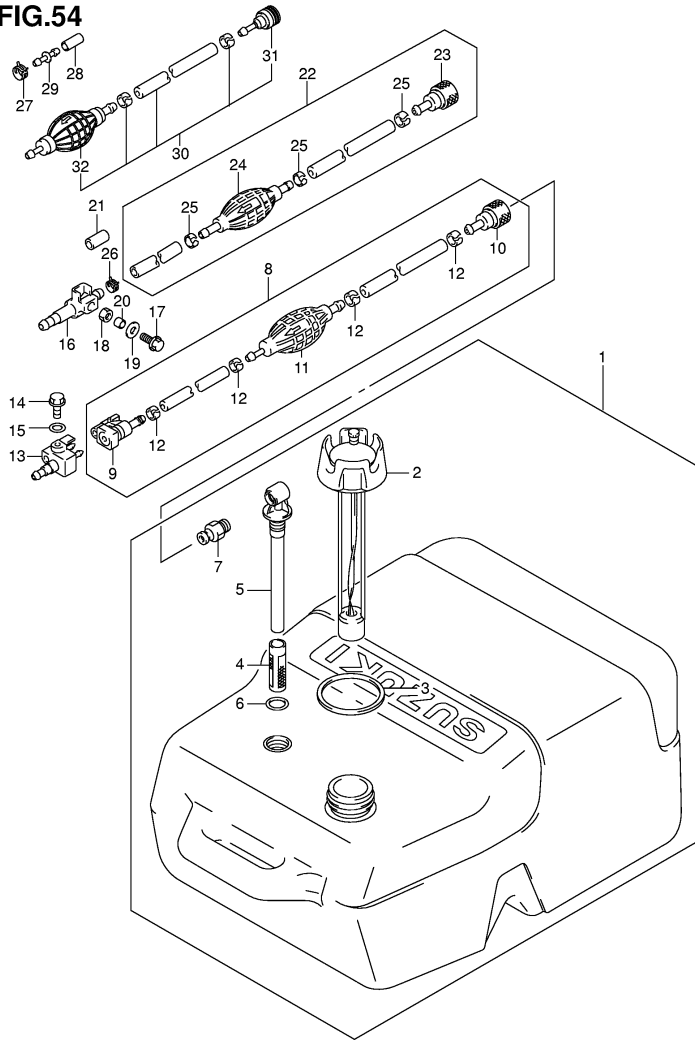
Part List

DP005787.TIF DF140TLK11(E1) K11 2011 / ENGINE COVER (MODEL:10~)

REF NO	PART NO	DESCRIPTION	QTY	KIT	NOTES
1	61410-92871-0EP	COVER SET, ENGINE (BLACK)	1		
2	61621-87D02-000	BRACKET, FASTENER FR	1	*	
3	61644-90J00-000	BRACKET, FASTENER RR	2	*	
4	09229-04025-000	RIVET	4	*	
5	09229-04046-000	RIVET	3	*	
6	61431-92J01-0EP	HANDLE, TILT UP (BLACK)	1	*	
7	61432-92J00-000	LOUVER, TILT UP HANDLE	1	*	
8	61433-92J00-000	COVER, AIR INTAKE INNER	1	*	
9	61438-92J00-000	CUSHION, AIR INTAKE INNER	2	*	
10	61439-90J00-000	SEAL, TILT UP HANDLE	1	*	
11	61439-92J00-000	SEAL, TILT UP HANDLE	1	*	
12	61610-90J22-000	FASTENER	1	*	
13	61680-90J00-000	FASTENER, REAR STBD	1	*	
14	61690-90J00-000	FASTENER, REAR PORT	1	*	
15	09329-10022-000	CUSHION	2	*	
16	09329-10023-000	CUSHION	2	*	
17	09250-12013-000	CAP	3	*	
18	01550-06127-000	BOLT	3	*	
19	01550-06167-000	BOLT	4	*	
20	01550-06957-000	BOLT	1	*	
21	29103-93J10-000	BOLT (6X20)	3	*	
22	03542-06169-000	SCREW	3	*	
23	61422-92J11-000	MARK, EMBLEM FRONT	1	*	
24	61435-92J21-000	MARK, EMBLEM REAR	1	*	
25	61443-90J41-000	STRIPE, ENGINE COVER STBD	1	*	
25	61453-90J41-000	STRIPE, ENGINE COVER PORT	1	*	
26	61446-87L10-000	DECAL, EFI	1	*	
27	68111-18G20-000	EMBLEM (S)	1	*	
28	61458-99E31-000	LABEL, ENGINE COVER	1		
28	61458-99E40-000	LABEL, ENGINE COVER	1		E1, DF140T:010534~, DF140Z:010061~
29	09800-81840-000	TOOL SET	1		
30	68110-87D01-000	COVER, WEATHER	1		OPT
31	61580-92J00-000	PLATE, AIR INTAKE INNER	1		OPT

DP002339.TIF DF140TLK11(E1) K11 2011 / FUEL TANK (PLASTIC)

FIG.54



DF140T 140Z E01_054
FUEL TANK (PLASTIC)

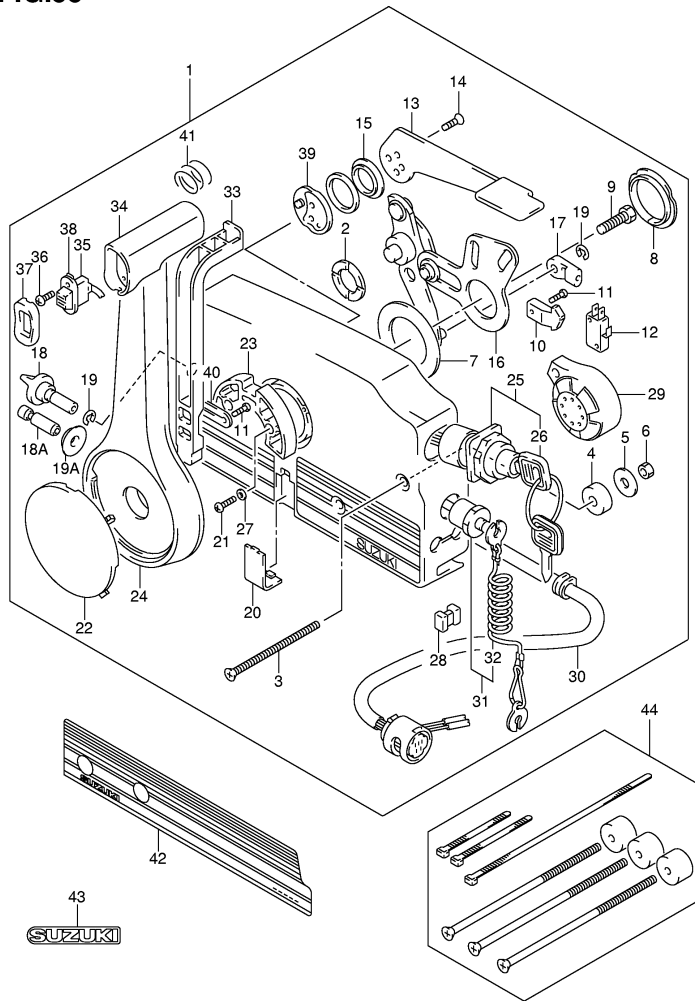
Part List

DP002339.TIF DF140TLK11(E1) K11 2011 / FUEL TANK (PLASTIC)

REF NO	PART NO	DESCRIPTION	QTY	KIT	NOTES
1	65000-95D01-000	TANK ASSY, FUEL (25L)	1		
2	65520-95D00-000	CAP ASSY, FUEL TANK	1	*	
3	65561-95D00-000	GASKET, TANK CAP	1	*	
4	65831-95D00-000	FILTER, OUTLET	1	*	
5	65890-95D00-000	OUTLET ASSY	1	*	
6	65892-95D00-000	O RING, FUEL OUTLET	1	*	
7	65740-95D01-000	PLUG, FUEL CONNECTOR	1	*	
8	65700-87113-000	HOSE, FUEL	1		N/FUEL TANK
9	65750-87111-000	SOCKET, FUEL HOSE	1	*	
10	65750-95500-000	SOCKET, FUEL HOSE	1	*	
11	65770-95505-000	PUMP, SQUEEZE	1	*	
12	65781-98500-000	CLIP	4	*	
13	65720-986B0-000	PLUG, FUEL CONNECTOR	1		MODEL:02
14	09103-06237-000	BOLT (6X12.5)	1		MODEL:02
15	09160-06085-000	WASHER	1		MODEL:02
16	65721-90J00-000	PLUG, FUEL CONNECTOR	1		MODEL:03~06
17	09103-06092-000	BOLT (6X15)	1		MODEL:03~06
18	09140-06020-000	NUT	1		MODEL:03~06
19	09160-06085-000	WASHER (6.5X15X1.0)	1		MODEL:03~06
20	09180-06334-000	SPACER	1		MODEL:03~06
21	09251-07003-000	CAP	1		MODEL:03~06
22	65700-90J02-000	HOSE ASSY, FUEL	1		MODEL:03~06
23	65750-95500-000	SOCKET	1	*	MODEL:03~06
24	65770-95505-000	PUMP, SQUEEZE	1	*	MODEL:03~06
25	65781-98500-000	CLIP	3	*	MODEL:03~06
26	17818-90J00-000	CLIP	1		MODEL:03~06
27	09401-11423-000	CLIP, FUEL HOSE	1		MODEL:07~
28	09251-07003-000	CAP, FUEL JOINT	1		MODEL:07~
29	09367-08001-000	JOINT, FUEL HOSE	1		MODEL:07~
30	65700-90J12-000	HOSE, FUEL (TANK TO ENGINE)	1		MODEL:07~
31	65750-95500-000	SOCKET, FUEL HOSE	1	*	MODEL:07~
32	65770-95505-000	PUMP, SQUEEZE	1	*	MODEL:07~

DP001730.TIF DF140TLK11(E1) K11 2011 / REMOTE CONTROL (MODEL:02,03)

FIG.55



DF140T 140Z E01_055
REMOTE CONTROL (1)

Part List

DP001730.TIF DF140TLK11(E1) K11 2011 / REMOTE CONTROL (MODEL:02,03)

REF NO	PART NO	DESCRIPTION	QTY	KIT	NOTES
1	67200-99E11-0EP	REMOTE CONTROL BOX (BLACK)	1		->7200-99E30-0EP
1	67200-99E30-0EP	REMOTE CONTROL BOX	1		MODEL:03
2	67232-95600-000	BUSH	1	*	
3	67296-95600-000	SCREW	3	*	
4	67294-95600-000	SPACER	3	*	
5	09160-06104-000	WASHER	3	*	
6	09140-06020-000	NUT	3	*	
7	67253-95600-000	WASHER	1	*	
8	67252-95600-000	BUSH	2	*	
9	09100-08232-000	BOLT (8X30)	1	*	
10	67238-87D00-000	GEAR, DRIVE	1	*	
11	67296-94300-000	SCREW	2	*	
12	37721-94600-000	SWITCH, NEUTRAL	1	*	
13	67241-99E00-000	LEVER, FREE THROTTLE	1	*	
14	09126-05003-000	SCREW (5X12)	2	*	
15	67243-95600-000	BUSH	1	*	
16	67220-95630-000	PLATE ASSY	1	*	
17	67275-95600-000	END, CABLE	2	*	
18	67223-95600-000	KNOB, BRAKE ADJUST	1	*	
18A	67223-99E00-000	KNOB, BRAKE ADJUST	1	*	FOR 67200-99E30-0EP
19	67292-94300-000	E RING	3	*	FOR 67200-99E11-0EP
19	67292-94300-000	E RING	2	*	FOR 67200-99E30-0EP
19A	09308-08001-000	GROMMET	1	*	FOR 67200-99E30-0EP
20	67267-95610-000	COVER, WIRE	1	*	
21	67296-95610-000	SCREW	7	*	
22	67257-95610-000	CAP, LEVER	1	*	
23	67256-95600-000	HOLDER, NEUTRAL LOCK	1	*	
24	67251-99E00-000	LEVER, HANDLE	1	*	
25	37110-92E02-000	SWITCH ASSY, IGNITION	1	*	
26	37141-92E00-000	KEY (11)	1	**	
26	37141-92E10-000	KEY (12)	1	**	
26	37141-92E20-000	KEY (13)	1	**	
26	37141-92E30-000	KEY (14)	1	**	
26	37141-92E40-000	KEY (15)	1	**	
26	37141-92E50-000	KEY (16)	1	**	
26	37141-92E60-000	KEY (17)	1	**	
26	37141-92E70-000	KEY (18)	1	**	
26	37141-92E80-000	KEY (19)	1	**	
26	37141-92E90-000	KEY (20)	1	**	
27	67297-95600-000	WASHER	2	*	
28	67273-95600-000	SPACER	1	*	
29	38500-92X50-000	BUZZER	1	*	FOR 67200-99E11-0EP
29	38500-92E10-000	BUZZER	1	*	FOR 67200-99E30-0EP
30	36620-92E10-000	WIRING HARNESS	1	*	
31	37820-92E00-000	SWITCH ASSY, EMERGENCY	1	*	
32	37823-92E00-000	PLATE	1	**	
33	67255-95600-000	ARM, NEUTRAL LOCK	1	*	
34	67261-95600-000	GRIP	1	*	
35	37860-94610-000	SWITCH, TRIM	1	*	
36	09139-02003-000	SCREW (2X6.0)	2	*	
37	67263-95600-000	CAP, GRIP	1	*	
38	37869-95590-000	CAP, TRIM SWITCH	1	*	
39	67245-95600-000	DRUM ASSY, FREE THROTTLE	1	*	
40	67258-87D00-000	BRACKET, NEUTRAL ARM	1	*	
41	67259-87D00-000	SPRING, NEUTRAL ARM	1	*	
42	67282-95610-000	DECAL, REMOCON BOX PORT	1		OPT
43	68165-16B00-13L	EMBLEM, SUZUKI (SILVER)	1		OPT
44	67140-95600-000	ATTACHMENT, TWIN REMOCON KIT	1		OPT

Page Notes

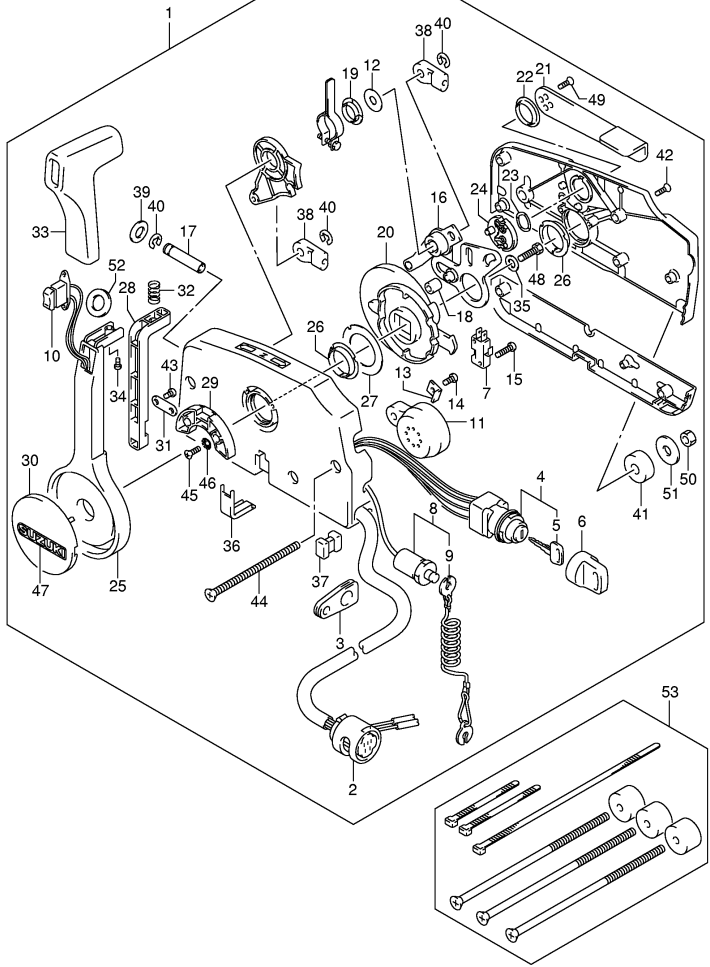
*DP001730.TIF DF140TLK11(E1) K11 2011 / REMOTE CONTROL (MODEL:02,03)***NOTE TEXT**

OEM: REFER TO FIG.56(H-11) FOR MODEL:04

OEM: REFER TO FIG.57(H-13) FOR MODEL:05%

DP000227.TIF DF140TLK11(E1) K11 2011 / REMOTE CONTROL (MODEL:04)

FIG.56



DF140T 140Z E01_056
REMOTE CONTROL (2)

Part List

DP000227.TIF DF140TLK11(E1) K11 2011 / REMOTE CONTROL (MODEL:04)

REF NO	PART NO	DESCRIPTION	QTY	KIT	NOTES
1	67200-99E50-000	REMOTE CONTROL ASSY	1		
2	36620-92E20-000	WIRE ASSY, EXTENSION	1	*	
3	36628-92E00-000	GROMMET, WIRE HARNESS	1	*	
4	37110-99E00-000	SWITCH ASSY, IGNITION	1	*	
5	37141-99E00-000	KEY (931)	1	**	
5	37141-99E10-000	KEY (932)	1	**	
5	37141-99E20-000	KEY (933)	1	**	
5	37141-99E30-000	KEY (934)	1	**	
5	37141-99E40-000	KEY (935)	1	**	
5	37141-99E50-000	KEY (936)	1	**	
5	37141-99E60-000	KEY (937)	1	**	
5	37141-99E70-000	KEY (938)	1	**	
5	37141-99E80-000	KEY (939)	1	**	
5	37141-99E90-000	KEY (940)	1	**	
5	37141-99EA0-000	KEY (941)	1	**	
5	37141-99EB0-000	KEY (942)	1	**	
6	37143-99E00-000	CAP, KEY	1	**	
7	37721-94600-000	SWITCH, NEUTRAL	1	*	
8	37820-92E00-000	SWITCH ASSY, EMERGENCY	1	*	
9	37823-92E00-000	PLATE	1	**	
10	37850-90J00-000	SWITCH ASSY, PTT	1	*	
11	38500-92E10-000	BUZZER	1	*	
12	67212-95600-000	WASHER	1	*	
13	67213-92E00-000	BRACKET, BUZZER	1	*	
14	67214-92E10-000	SCREW, BUZZER BRKT	1	*	
15	67216-94600-000	SCREW, NEUTRAL SW	2	*	
16	67220-95630-000	PLATE ASSY	1	*	
17	67223-99E10-000	KNOB, BRAKE ADJ	1	*	
18	67229-95600-000	ROLLER	1	*	
19	67232-95600-000	BUSH	1	*	
20	67238-87D00-000	GEAR, DRIVE	1	*	
21	67241-99E10-000	LEVER, FREE THROTTLE	1	*	
22	67243-95600-000	BUSH	1	*	
23	67244-95600-000	WASHER, WAVE	1	*	
24	67245-95600-000	DRUM, FREE THROTTLE	1	*	
25	67251-99E10-000	LEVER, HANDLE	1	*	
26	67252-95600-000	BUSH	2	*	
27	67253-95600-000	WASHER	1	*	
28	67255-99E00-000	ARM, LOCK	1	*	
29	67256-95600-000	HOLDER, NEUT LOCK	1	*	
30	67257-99E00-000	CAP, LEVER	1	*	
31	67258-99E00-000	BRACKET, LOCK ARM	1	*	
32	67259-87D00-000	SPRING, NEUTRAL ARM	1	*	
33	67261-99E00-000	GRIP	1	*	
34	67262-95600-000	SCREW	1	*	
35	67264-95600-000	WASHER	1	*	
36	67267-95610-000	COVER, WIRE	1	*	
37	67273-95600-000	SPACER	1	*	
38	67275-95600-000	END, CABLE	2	*	
39	67288-99E00-000	WASHER, BRAKE ADJ KNOB	1	*	
40	67292-94300-000	E RING	3	*	
41	67294-95600-000	SPACER	3	*	
42	67296-90J00-000	SCREW	5	*	
43	67296-94300-000	SCREW	2	*	
44	67296-95600-000	SCREW	3	*	
45	67296-95610-000	SCREW	2	*	
46	67297-95600-000	WASHER	2	*	
47	68165-16B00-13L	EMBLEM	1	*	
48	09100-08232-000	BOLT	1	*	
49	09126-05003-000	SCREW	2	*	
50	09140-06020-000	NUT	3	*	

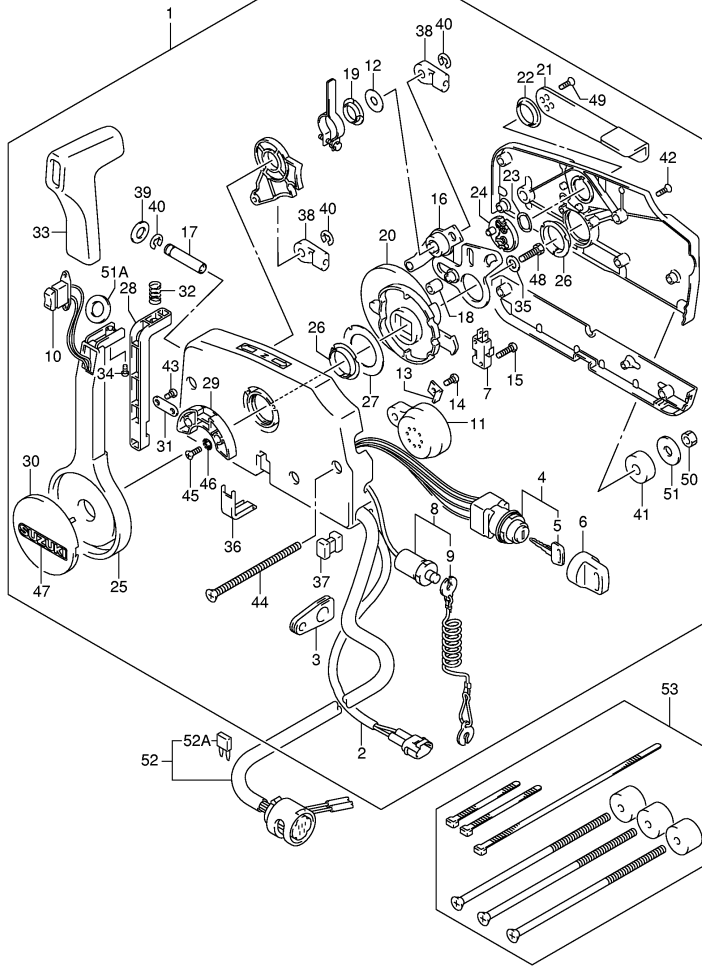
51	09160-06104-000	WASHER	3	*	
52	37859-90J00-000	SPACER	1	*	
53	67140-95600-000	ATTACHMENT, TWIN REMOCON KIT	1		OPT

Page Notes*DP000227.TIF DF140TLK11(E1) K11 2011 / REMOTE CONTROL (MODEL:04)***NOTE TEXT**

OEM: REFER TO FIG.57(H-13) FOR MODEL:05%

DP004541.TIF DF140TLK11(E1) K11 2011 / REMOTE CONTROL (MODEL:05~)

FIG.57



DF140T 140Z E01_057
REMOTE CONTROL (3)

Part List

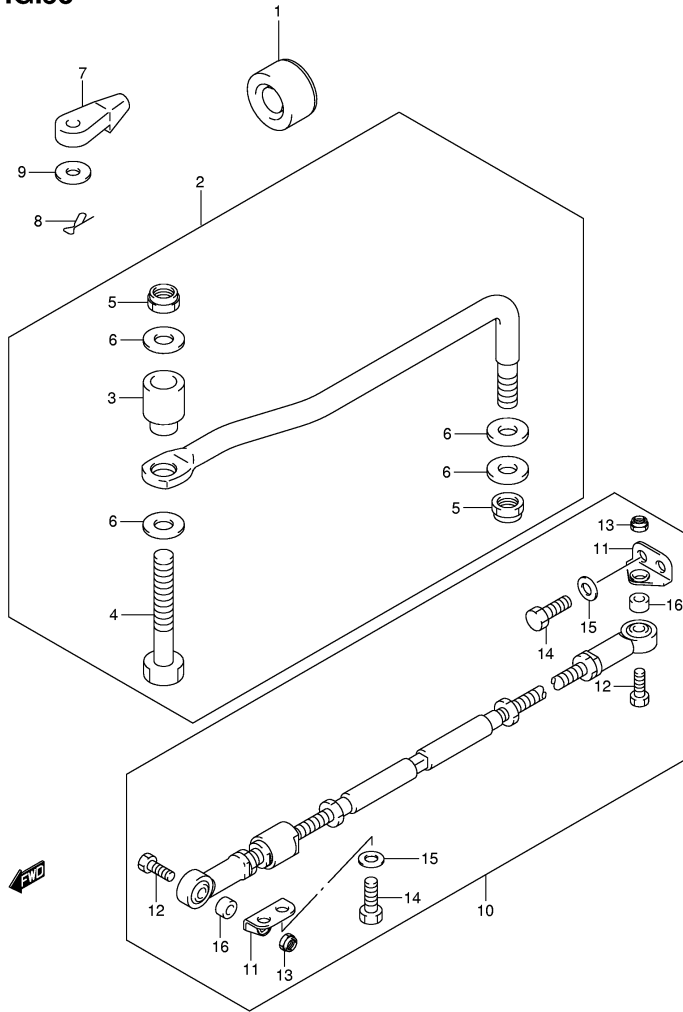
DP004541.TIF DF140TLK11(E1) K11 2011 / REMOTE CONTROL (MODEL:05~)

REF NO	PART NO	DESCRIPTION	QTY	KIT	NOTES
1	67200-93J03-000	REMOTE CONTROL ASSY	1		
2	36646-93J00-000	WIRE ASSY, PTT SW ADAPTER	1	*	
3	36628-92E00-000	GROMMET, WIRE HARNESS	1	*	
4	37110-93J00-000	SWITCH ASSY, IGNITION	1	*	
5	37141-99E00-000	KEY (931)	1	**	
5	37141-99E10-000	KEY (932)	1	**	
5	37141-99E20-000	KEY (933)	1	**	
5	37141-99E30-000	KEY (934)	1	**	
5	37141-99E40-000	KEY (935)	1	**	
5	37141-99E50-000	KEY (936)	1	**	
5	37141-99E60-000	KEY (937)	1	**	
5	37141-99E70-000	KEY (938)	1	**	
5	37141-99E80-000	KEY (939)	1	**	
5	37141-99E90-000	KEY (940)	1	**	
5	37141-99EA0-000	KEY (941)	1	**	
5	37141-99EB0-000	KEY (942)	1	**	
6	37143-99E00-000	CAP, KEY	1	**	
7	37721-93J90-000	SWITCH, NEUTRAL	1	*	
8	37820-93J03-000	SWITCH ASSY, EMERGENCY	1	*	
9	37823-92E01-000	PLATE	1	**	
10	37850-90J05-000	SWITCH ASSY, PTT	1	*	
11	38500-93J90-000	BUZZER	1	*	
12	67212-95600-000	WASHER	1	*	
13	67213-92E00-000	BRACKET, BUZZER	1	*	
14	09125-05042-000	SCREW, BUZZER BRKT	1	*	
15	67296-92E10-000	SCREW, NEUTRAL SW	2	*	
16	67220-95630-000	PLATE ASSY	1	*	
17	67223-99E10-000	KNOB, BRAKE ADJ	1	*	
18	67229-95600-000	ROLLER	1	*	
19	67232-95600-000	BUSH	1	*	
20	67238-87D00-000	GEAR, DRIVE	1	*	
21	67241-99E10-000	LEVER, FREE THROTTLE	1	*	
22	67243-95600-000	BUSH	1	*	
23	67244-95600-000	WASHER, WAVE	1	*	
24	67245-95600-000	DRUM, FREE THROTTLE	1	*	
25	67251-99E10-000	LEVER, HANDLE	1	*	
26	67252-95600-000	BUSH	2	*	
27	67253-95600-000	WASHER	1	*	
28	67255-99E00-000	ARM, LOCK	1	*	
29	67256-95600-000	HOLDER, NEUT LOCK	1	*	
30	67257-99E00-000	CAP, LEVER	1	*	
31	67258-99E00-000	BRACKET, LOCK ARM	1	*	
32	67259-87D00-000	SPRING, NEUTRAL ARM	1	*	
33	67261-99E00-000	GRIP	1	*	
34	67296-94310-000	SCREW	1	*	
35	67264-95600-000	WASHER	1	*	
36	67267-95610-000	COVER, WIRE	1	*	
37	67273-95600-000	SPACER	1	*	
38	67275-95600-000	END, CABLE	2	*	
39	67288-92E00-000	WASHER, BRAKE ADJ KNOB	1	*	
40	67292-94300-000	E RING	3	*	
41	67294-95600-000	SPACER	3	*	
42	67296-90J00-000	SCREW	5	*	
43	67296-94300-000	SCREW	2	*	
44	67296-95600-000	SCREW	3	*	
45	67296-95610-000	SCREW	2	*	
46	67297-95600-000	WASHER	2	*	
47	68165-16B00-13L	EMBLEM	1	*	
48	09100-08232-000	BOLT	1	*	
49	09126-05003-000	SCREW	2	*	

50	09140-06020-000	NUT	3	*	
51	09160-06104-000	WASHER	3	*	
51A	37859-90J00-000	SPACER	1	*	
52	36620-93J01-000	WIRE ASSY, REMOTE CONTROL	1		L:5000 MODEL:04~
52	36620-93J51-000	WIRE ASSY, REMOTE CONTROL	1		L:3500 MODEL:06~
52	36620-93J61-000	WIRE ASSY, REMOTE CONTROL	1		L:6500 MODEL:06~
52A	09481-10501-000	FUSE (10A)	1	*	
53	67140-95600-000	ATTACHMENT, TWIN REMOCON KIT	1		OPT

DP003378.TIF DF140TLK11(E1) K11 2011 / DRAG LINK

FIG.58



DF140T 140Z E01_058
DRAG LINK

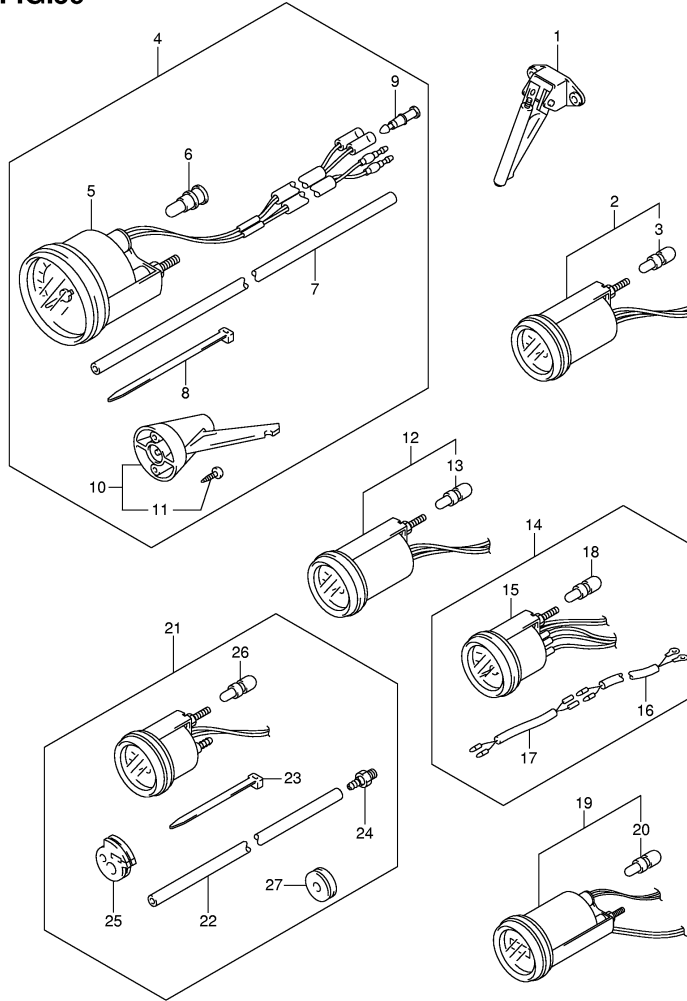
Part List

DP003378.TIF DF140TLK11(E1) K11 2011 / DRAG LINK

REF NO	PART NO	DESCRIPTION	QTY	KIT	NOTES
1	41161-94400-000	SEAL, STEERING CABLE	1		
2	67701-90J00-000	LINK, DRAG	1		
3	67721-99E00-000	SPACER	1	*	
4	67725-99E00-000	BOLT, DRAG LINK	1	*	
5	67726-99E00-000	NUT	2	*	
6	67728-99E00-000	WASHER	4	*	
7	67467-89J01-000	CONNECTOR, REMOCON CABLE	2		
8	09385-06012-000	CLIP	2		
9	09160-06055-000	WASHER (7X12X1.0)	2		
10	67600-90J00-000	KIT, TIE ROD	1		OPT
11	67631-90J00-000	BRACKET, TIE ROD	2	*	OPT
12	67725-99E10-000	BOLT	2	*	OPT
13	67726-99E00-000	NUT	2	*	OPT
14	09100-12081-000	BOLT	4	*	OPT
15	09160-12066-000	WASHER	4	*	OPT
16	09180-09022-000	SPACER	2	*	OPT

DP000601.TIF DF140TLK11(E1) K11 2011 / OPT:METER

FIG.59



DF140T 140Z E01_059
OPT:METER

Part List

DP000601.TIF DF140TLK11(E1) K11 2011 / OPT:METER

REF NO	PART NO	DESCRIPTION	QTY	KIT	NOTES
1	34190-87D00-000	SENDER ASSY, SPEEDOMETER	1		
2	34800-90J02-000	METER ASSY, TRIM	1		<-4800-90J00
3	09471-12180-000	BULB	1	*	
4	34102-92E00-000	SPEEDOMETER SET	1		MAX 130KM/H
4	34102-92E10-000	SPEEDOMETER SET	1		MAX 80KM/H
4	34102-92E20-000	SPEEDOMETER SET	1		MAX 45KNOTS
5	34100-92E00-000	SPEEDOMETER	1	*	MAX 130KM/H
5	34100-92E10-000	SPEEDOMETER	1	*	MAX 80KM/H
5	34100-92E20-000	SPEEDOMETER	1	*	MAX 45KNOTS
6	09471-12179-000	BULB	1	*	
7	34191-92E00-000	TUBE	1	*	
8	09407-14407-000	BAND	2	*	
9	36615-96300-000	TERMINAL, RESIN	2	*	
10	34190-95500-000	SENDER ASSY, SPEEDOMETER	1	*	
11	03112-06303-000	SCREW	2	*	
12	34600-92E00-000	METER, VOLTAGE	1		
13	09471-12180-000	BULB	1	*	
14	34300-92E01-000	GAUGE ASSY, FUEL	1		
15	34320-92E01-000	GAUGE, FUEL	1	*	
16	34310-92E00-000	LEAD, FUEL GAUGE	1	*	
17	34360-92E00-000	ADAPTER, FUEL GAUGE	1	*	
18	09471-12180-000	BULB	1	*	
19	34500-92E00-000	METER ASSY, HOUR	1		
20	09471-12180-000	BULB	1	*	
21	34650-92E00-000	GAUGE ASSY, WATER PRESSURE	1		30PSI
22	34191-92E00-000	TUBE	1	*	
23	09407-14407-000	BAND	1	*	
24	34652-92E00-000	UNION	1	*	
25	36658-95600-000	GROMMET	1	*	
26	09471-12180-000	BULB	1	*	
27	09320-08028-000	GROMMET	1	*	

Page Notes

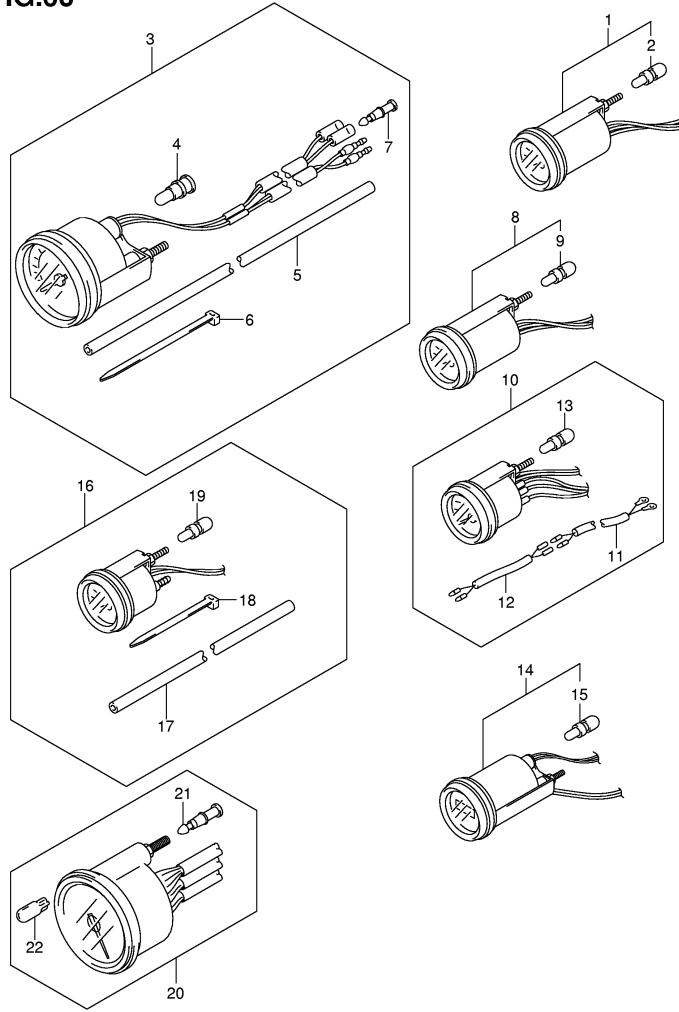
DP000601.TIF DF140TLK11(E1) K11 2011 / OPT:METER

NOTE TEXT

OEM: REFER TO FIG.60(I- 3) FOR MODEL:05%

DP000680.TIF DF140TLK11(E1) K11 2011 / OPT:METER (MODEL:05~)

FIG.60



DF140T 140Z E01_060
OPT:METER (MODEL:05,06)

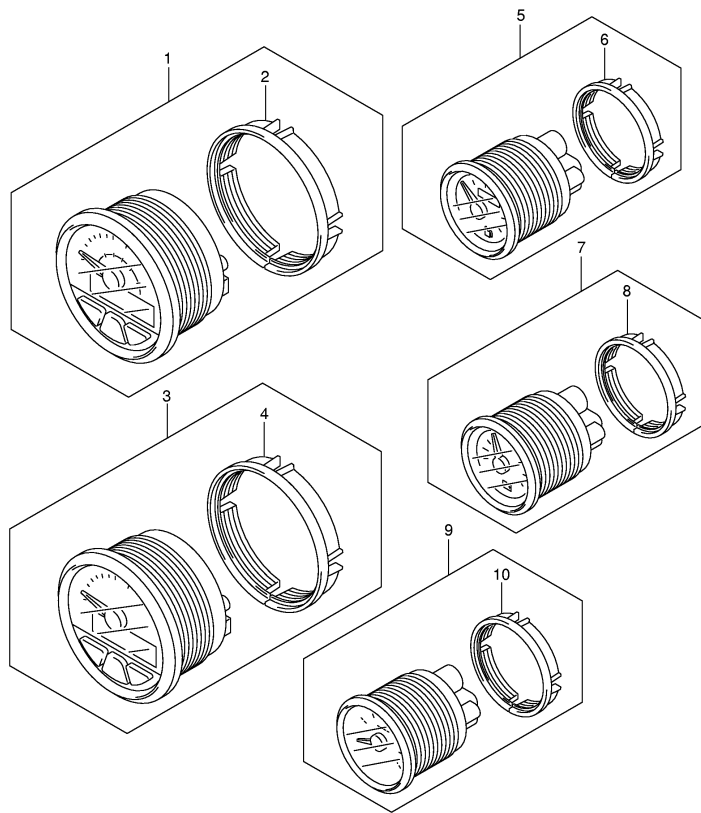
Part List

DP000680.TIF DF140TLK11(E1) K11 2011 / OPT:METER (MODEL:05~)

REF NO	PART NO	DESCRIPTION	QTY	KIT	NOTES
1	34800-93J00-000	METER ASSY, TRIM	1		BLACK
1	34800-93J11-000	METER ASSY, TRIM	1		WHITE
2	09471-12103-000	BULB	1	*	
3	34100-93J00-000	SPEEDOMETER ASSY	1		MAX 130KM/H BLACK
3	34100-93J11-000	SPEEDOMETER ASSY	1		MAX 130KM/H WHITE
3	34100-93J20-000	SPEEDOMETER ASSY	1		MAX 80KM/H BLACK
3	34100-93J31-000	SPEEDOMETER ASSY	1		MAX 80KM/H WHITE
3	34100-93J40-000	SPEEDOMETER ASSY	1		MAX 45KNOTS BLACK
3	34100-93J51-000	SPEEDOMETER ASSY	1		MAX 45KNOTS WHITE
3	34100-93J60-000	SPEEDOMETER ASSY	1		MAX 65KNOTS WHITE
4	09471-12028-000	BULB	1	*	
5	34191-92E00-000	TUBE	1	*	
6	09407-14407-000	BAND	2	*	
7	36615-96300-000	TERMINAL, RESIN	2	*	
8	34600-93J00-000	METER ASSY, VOLTAGE	1		BLACK
8	34600-93J11-000	METER ASSY, VOLTAGE	1		WHITE
9	09471-12103-000	BULB	1	*	
10	34300-93J00-000	GAUGE ASSY, FUEL	1		BLACK
10	34300-93J11-000	GAUGE ASSY, FUEL	1		WHITE
11	34310-92E00-000	LEAD, FUEL GAUGE	1	*	
12	34360-92E00-000	ADAPTER, FUEL GAUGE	1	*	
13	09471-12103-000	BULB	1	*	
14	34500-93J00-000	METER ASSY, HOUR	1		BLACK
14	34500-93J11-000	METER ASSY, HOUR	1		WHITE
15	09471-12103-000	BULB	1	*	
16	34650-93J20-000	GAUGE ASSY, WATER PRESSURE	1		15PSI BLACK
16	34650-93J31-000	GAUGE ASSY, WATER PRESSURE	1		15PSI WHITE
17	34191-92E00-000	TUBE	1	*	
18	09407-14407-000	BAND	2	*	
19	09471-12103-000	BULB	1	*	
20	34200-93J00-000	TACHOMETER ASSY, WITH MONITOR	1		BLACK
20	34200-93J11-000	TACHOMETER ASSY, WITH MONITOR	1		WHITE
21	36615-96300-000	TERMINAL, RESIN	4	*	
22	09471-12077-000	BULB	1	*	

DP005162.TIF DF140TLK11(E1) K11 2011 / OPT:METER (MODEL:08~)

FIG.61



DF140T 140Z E01_061
OPT:METER-C

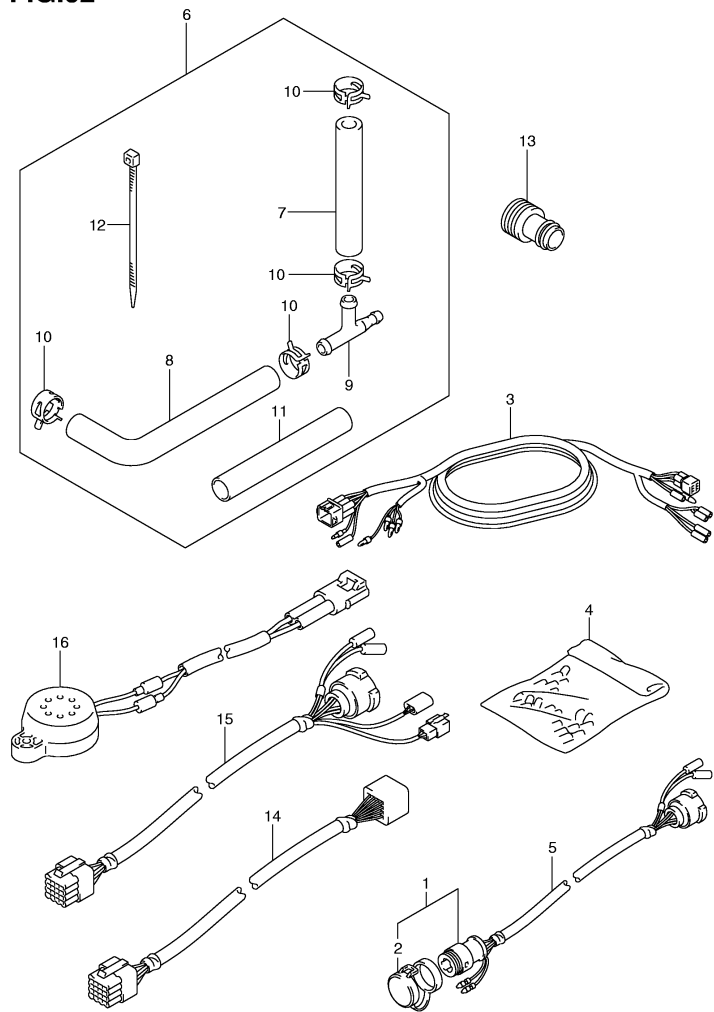
Part List

DP005162.TIF DF140TLK11(E1) K11 2011 / OPT:METER (MODEL:08~)

REF NO	PART NO	DESCRIPTION	QTY	KIT	NOTES
1	34100-98J01-000	SPEEDOMETER ASSY	1		MAX 130KM/H BLACK
1	34100-98J11-000	SPEEDOMETER ASSY	1		MAX 130KM/H WHITE
1	34100-98J21-000	SPEEDOMETER ASSY	1		MAX 80KM/H BLACK
1	34100-98J31-000	SPEEDOMETER ASSY	1		MAX 80KM/H WHITE
1	34100-98J41-000	SPEEDOMETER ASSY	1		MAX 60KNOTS WHITE
2	34112-98J00-000	NUT	1	*	
3	34200-98J03-000	TACHOMETER ASSY	1		BLACK
3	34200-98J13-000	TACHOMETER ASSY	1		WHITE
4	34112-98J00-000	NUT	1	*	
5	34300-98J00-000	GAUGE ASSY, FUEL	1		BLACK
5	34300-98J10-000	GAUGE ASSY, FUEL	1		WHITE
6	34815-98J00-000	NUT	1	*	
7	34600-98J00-000	METER ASSY, VOLTAGE	1		BLACK
7	34600-98J10-000	METER ASSY, VOLTAGE	1		WHITE
8	34815-98J00-000	NUT	1	*	
9	34800-98J00-000	METER ASSY, TRIM	1		BLACK
9	34800-98J10-000	METER ASSY, TRIM	1		WHITE
10	34815-98J00-000	NUT	1	*	

DP005768.TIF DF140TLK11(E1) K11 2011 / OPT:HARNESS

FIG.62



DF140T 140Z E01_062
OPT:HARNESS

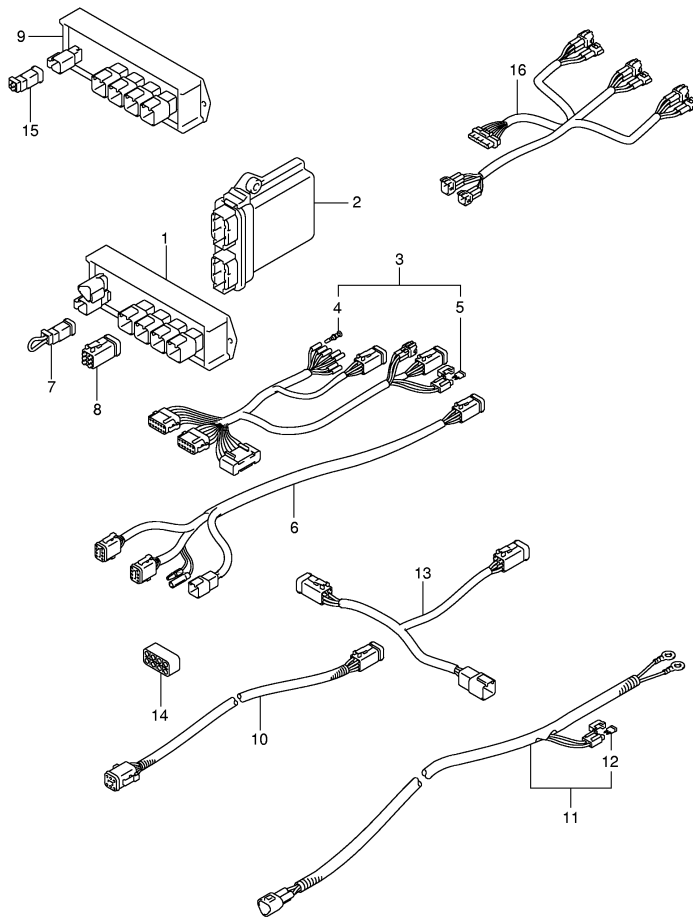
Part List

DP005768.TIF DF140TLK11(E1) K11 2011 / OPT:HARNESS

REF NO	PART NO	DESCRIPTION	QTY	KIT	NOTES
1	36620-87D20-000	HARNESS ASSY, EXTENSION (L)	1		L:5000 MODEL:02~04
1	36620-95302-000	HARNESS ASSY, EXTENSION (S)	1		L:2000 MODEL:02~04
2	36631-94300-000	CAP	1	*	
3	36660-94400-000	WIRE, SENDER EXTENSION (L)	1		L:6500 MODEL:02~04
3	36660-94480-000	WIRE, SENDER EXTENSION (S)	1		L:2000 MODEL:02~04
4	36990-87D00-000	TERMINAL & SLEEVE SET	1		
5	36620-92E00-000	WIRE, REMOCON EXT	1		MODEL:02~04
6	34660-90J02-000	WATER PRESS GAUGE SUB KIT	1		
7	09352-50903-600	HOSE	1	*	L:600->60
8	09352-50903-600	HOSE	1	*	L:600->10
9	09367-06006-000	3 WAY	1	*	
10	09401-08413-000	CLIP	4	*	
11	18498-99EA0-000	PROTECTOR (L:80)	1	*	NOT FOR DF140
12	09407-25402-000	CLAMP	1	*	NOT FOR DF140
13	17917-87L00-000	CONNECTOR, FLUSH WATER	1		
14	36620-93J10-000	WIRE ASSY, REMOCON EXTENSION	1		L:2000 MODEL:05~
14	36620-93J40-000	WIRE ASSY, REMOCON EXTENSION	1		L:3000 MODEL:05~
15	36620-93J20-000	WIRE ASSY, REMOCON ADAPTER	1		L:2000 MODEL:04
15	36620-93J30-000	WIRE ASSY, REMOCON ADAPTER	1		L:2000 MODEL:05~
16	38500-93J00-000	BUZZER ASSY, WARNING	1		MODEL:05~

DP005103.TIF DF140TLK11(E1) K11 2011 / OPT:HARNESS (MODEL:08~)

FIG.63



DF140T 140Z E01_063
OPT:HARNESS-C

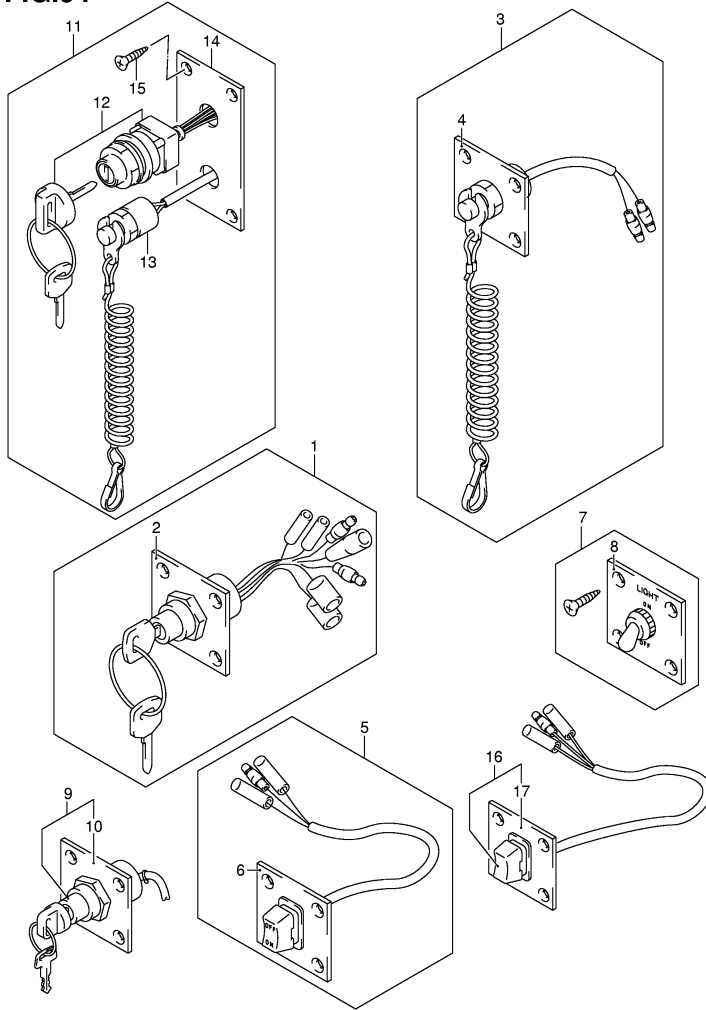
Part List

DP005103.TIF DF140TLK11(E1) K11 2011 / OPT:HARNESS (MODEL:08~)

REF NO	PART NO	DESCRIPTION	QTY	KIT	NOTES
1	34921-98J00-000	UNIT, ACTIVE HUB	1		
2	34922-98J02-000	UNIT, INTERFACE	1		
3	36661-98J00-000	HARNESS ASSY, INTERFACE UNIT	1		
4	36615-96300-000	TERMINAL, RESIN	7	*	
5	09481-05501-000	FUSE (5A)	1	*	
6	36664-98J00-000	HARNESS ASSY, 3" GAUGE	1		
7	36665-98J00-000	WIRE, JUMPER	1		
8	36666-98J10-000	CAP, 6 PIN CONNECTOR	1		
9	34921-98J10-000	UNIT, PASSIVE HUB	1		
10	36662-98J00-000	HARNESS ASSY, HUB S	1		L:1000
10	36662-98J10-000	HARNESS ASSY, HUB L	1		L:6500
11	36663-98J00-000	HARNESS ASSY, ACTIVE HUB PWR S	1		L:2500
11	36663-98J10-000	HARNESS ASSY, ACTIVE HUB PWR L	1		L:6000
12	09481-05501-000	FUSE (5A)	1	*	
13	36664-98J10-000	HARNESS ASSY, 2" GAUGE	1		
14	36666-98J00-000	CAP, 8 PIN CONNECTER	1		
15	36667-98J00-000	CAP, 2 PIN CONNECTER	1		
16	36661-93J00-000	ADAPTER, INTERFACE MODULE	1		

DP005134.TIF DF140TLK11(E1) K11 2011 / OPT:SWITCH (DF140T MODEL:02~04)

FIG.64



DF140T 140Z E01_064
OPT:SWITCH (1)-C

Part List

DP005134.TIF DF140TLK11(E1) K11 2011 / OPT:SWITCH (DF140T MODEL:02~04)

REF NO	PART NO	DESCRIPTION	QTY	KIT	NOTES
1	37100-92E00-000	IGNITION SWITCH SET	1		
2	37139-92E00-000	PANEL, IGNITION SW	1	*	
3	37803-92E00-000	EMERGENCY SWITCH SET	1		
3	37803-99E00-000	EMERGENCY SWITCH SET	1		MODEL:04
4	37825-92E00-000	PANEL, EMERGENCY SW	1	*	
4	37825-99E00-000	PANEL, EMERGENCY SW	1	*	FOR 37803-99E00
5	37805-92E00-000	PTT SWITCH SET	1		
6	37855-92E00-000	PANEL, PTT SW	1	*	
7	37210-92E00-000	LIGHTING SW SET	1		
8	37212-92E00-000	PANEL, LIGHTING SW	1	*	
9	37100-92E01-000	IGNITION SWITCH SET	1		
9	37100-99E00-000	IGNITION SWITCH SET	1		MODEL:04
10	37139-92E01-000	PANEL, IGNITION SWITCH	1	*	
10	37139-99E00-000	PANEL, IGNITION SWITCH	1	*	FOR 37100-99E00
11	37100-99E20-000	PANEL ASSY, ENGINE SW	1		MODEL:04
12	37110-93J00-000	SWITCH ASSY, IGNITION	1	*	
13	37820-92E00-000	SWITCH ASSY, EMERGENCY	1	*	
14	37139-99E20-000	PANEL	1	*	
15	03121-05163-000	SCREW	4	*	
16	37805-99E00-000	PANEL ASSY, PTT SW	1		MODEL:04
17	37855-99E00-000	PANEL	1	*	

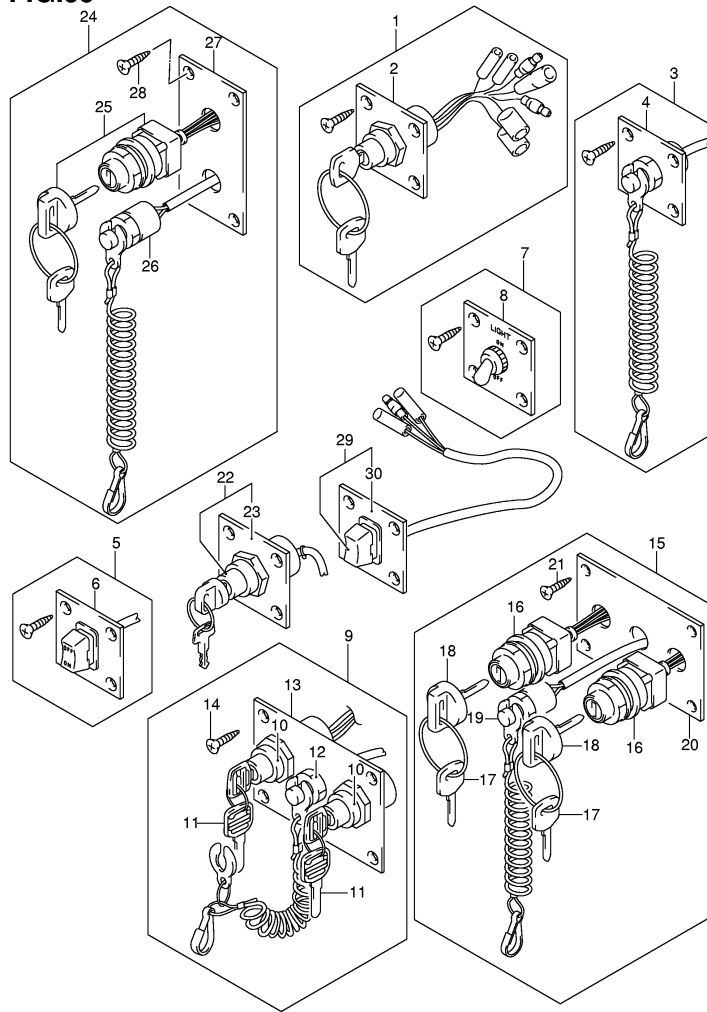
Page Notes

DP005134.TIF DF140TLK11(E1) K11 2011 / OPT:SWITCH (DF140T MODEL:02~04)

NOTE TEXT
OEM: REFER TO FIG.65(I- 8) FOR DF140Z COUNTER ROTATION MODEL:02%04
OEM: REFER TO FIG.66(I-10) FOR MODEL:05%

DP005187.TIF DF140TLK11(E1) K11 2011 / OPT:SWITCH (DF140Z COUNTER ROTATION MODEL:02~04)

FIG.65



DF140T 140Z E01_065
OPT:SWITCH (2)-C

Part List

DP005187.TIF DF140TLK11(E1) K11 2011 / OPT:SWITCH (DF140Z COUNTER ROTATION

MODEL:02~04)

REF NO	PART NO	DESCRIPTION	QTY	KIT	NOTES
1	37100-92E00-000	IGNITION SWITCH SET	1		->7100-92E01
2	37139-92E00-000	PANEL, IGNITION SW	1	*	
3	37803-92E00-000	EMERGENCY SWITCH SET	1		
3	37803-99E00-000	EMERGENCY SWITCH SET	1		MODEL:04
4	37825-92E00-000	PANEL, EMERGENCY SW	1	*	
4	37825-99E00-000	PANEL, EMERGENCY SW	1	*	FOR 37803-99E00
5	37805-92E00-000	PTT SWITCH SET	1		
6	37855-92E00-000	PANEL, PTT SW	1	*	
7	37210-92E00-000	LIGHTING SW SET	1		
8	37212-92E00-000	PANEL, LIGHTING SW	1	*	
9	37100-92E12-000	DUAL ENGINE SW SET	1		MODEL:02,03
10	37110-92E02-000	SWITCH ASSY, IGNITION	2	*	
11	37141-92E00-000	KEY (11)	2	**	
11	37141-92E10-000	KEY (12)	2	**	
11	37141-92E20-000	KEY (13)	2	**	
11	37141-92E30-000	KEY (14)	2	**	
11	37141-92E40-000	KEY (15)	2	**	
11	37141-92E50-000	KEY (16)	2	**	
11	37141-92E60-000	KEY (17)	2	**	
11	37141-92E70-000	KEY (18)	2	**	
11	37141-92E80-000	KEY (19)	2	**	
11	37141-92E90-000	KEY (20)	2	**	
12	37820-92E90-000	SWITCH ASSY, EMERGENCY	1	*	
13	37139-92E10-000	PANEL	1	*	
14	03121-05163-000	SCREW	4	*	
15	37100-92E13-000	DUAL ENGINE SW SET	1		
15	37100-99E10-000	DUAL ENGINE SW SET	1		MODEL:04
16	37110-99E00-000	SWITCH ASSY, IGNITION	2	*	
16	37110-93J00-000	SWITCH ASSY, IGNITION	2	*	FOR 37100-99E10
17	37141-99E00-000	KEY (931)	2	**	
17	37141-99E10-000	KEY (932)	2	**	
17	37141-99E20-000	KEY (933)	2	**	
17	37141-99E30-000	KEY (934)	2	**	
17	37141-99E40-000	KEY (935)	2	**	
17	37141-99E50-000	KEY (936)	2	**	
17	37141-99E60-000	KEY (937)	2	**	
17	37141-99E70-000	KEY (938)	2	**	
17	37141-99E80-000	KEY (939)	2	**	
17	37141-99E90-000	KEY (940)	2	**	
17	37141-99EA0-000	KEY (941)	2	**	
17	37141-99EB0-000	KEY (942)	2	**	
18	37143-99E00-000	CAP, KEY	2	**	
19	37820-92E90-000	SWITCH ASSY, EMERGENCY	1	*	
19	37820-93J90-000	SWITCH ASSY, EMERGENCY	1	*	FOR 37100-99E10
20	37139-92E11-000	PANEL	1	*	
20	37139-99E10-000	PANEL	1	*	FOR 37100-99E10
21	03121-05163-000	SCREW	4	*	
22	37100-92E01-000	IGNITION SWITCH SET	1		
22	37100-99E00-000	IGNITION SWITCH SET	1		MODEL:04
23	37139-92E01-000	PANEL, IGNITION SWITCH	1	*	
23	37139-99E00-000	PANEL, IGNITION SWITCH	1	*	FOR 37100-99E00
24	37100-99E20-000	PANEL ASSY, ENGINE SW	1		MODEL:04
25	37110-93J00-000	SWITCH ASSY, IGNITION	1	*	
26	37820-92E00-000	SWITCH ASSY, EMERGENCY	1	*	
27	37139-99E20-000	PANEL	1	*	
28	03121-05163-000	SCREW	4	*	
29	37805-99E00-000	PANEL ASSY, PTT SW	1		MODEL:04
30	37855-99E00-000	PANEL	1	*	

Page Notes

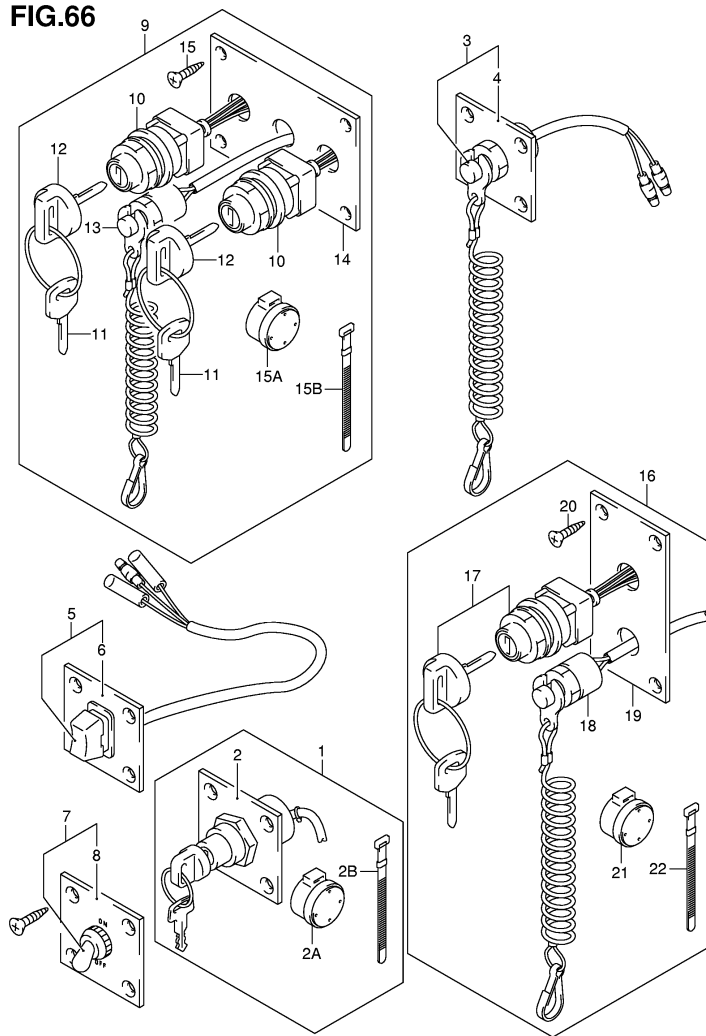
DP005187.TIF DF140TLK11(E1) K11 2011 / OPT:SWITCH (DF140Z COUNTER ROTATION

MODEL:02~04)

NOTE TEXT

OEM: REFER TO FIG.66(I-10) FOR MODEL:05%

DP005181.TIF DF140TLK11(E1) K11 2011 / OPT:SWITCH (MODEL:05~)



DF140T 140Z E01_066
OPT:SWITCH (3)-C

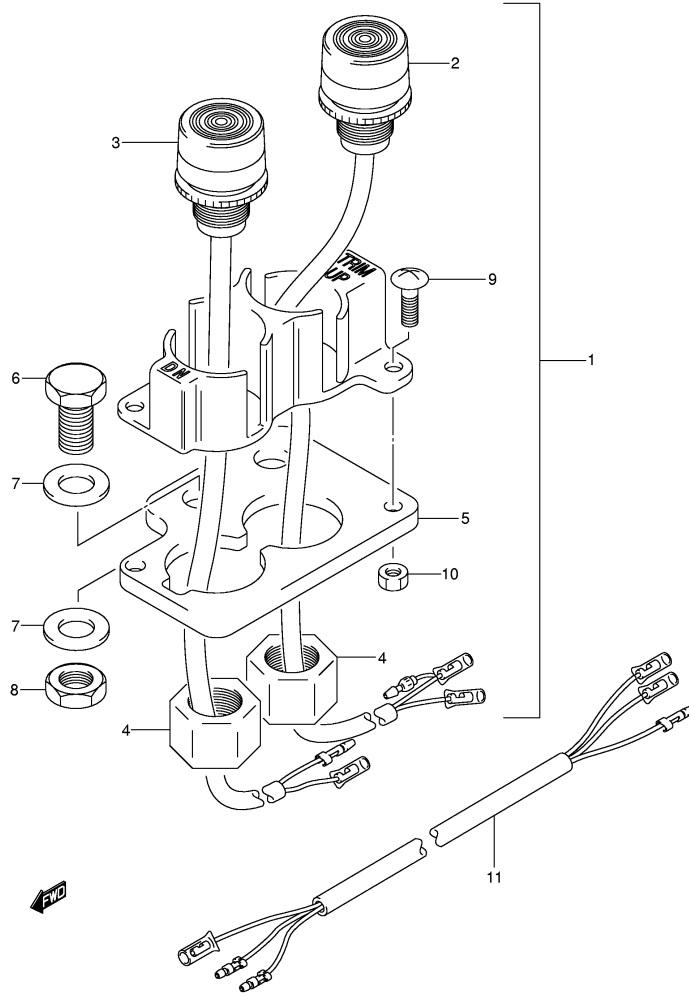
Part List

DP005181.TIF DF140TLK11(E1) K11 2011 / OPT:SWITCH (MODEL:05~)

REF NO	PART NO	DESCRIPTION	QTY	KIT	NOTES
1	37100-93J00-000	PANEL ASSY, IGNITION SW	1		
1	37100-96J00-000	PANEL ASSY, IGNITION SW	1		MODEL:06~
2	37139-99E00-000	PANEL, IGNITION SW	1	*	
2A	38500-93J90-000	BUZZER ASSY, WARNING	1	*	MODEL:06~
2B	09407-08401-000	CLAMP BUZZER	1	*	MODEL:06~
3	37803-93J03-000	PANEL ASSY, EMERGENCY SW	1		
4	37825-99E00-000	PANEL, EMERGENCY SW	1	*	
5	37805-93J00-000	PANEL ASSY, PTT SW	1		
6	37855-99E00-000	PANEL, PTT SW	1	*	
7	37210-93J00-000	PANEL ASSY, LIGHTING SW	1		
8	37212-93J00-000	PANEL, LIGHTING SW	1	*	
9	37100-93J10-000	PANEL ASSY, DUAL ENGINE SW	1		
9	37100-96J13-000	PANEL ASSY, DUAL ENGINE SW	1		MODEL:06~
10	37110-93J00-000	SWITCH ASSY, IGNITION	2	*	
11	37141-99E00-000	KEY (931)	2	**	
11	37141-99E10-000	KEY (932)	2	**	
11	37141-99E20-000	KEY (933)	2	**	
11	37141-99E30-000	KEY (934)	2	**	
11	37141-99E40-000	KEY (935)	2	**	
11	37141-99E50-000	KEY (936)	2	**	
11	37141-99E60-000	KEY (937)	2	**	
11	37141-99E70-000	KEY (938)	2	**	
11	37141-99E80-000	KEY (939)	2	**	
11	37141-99E90-000	KEY (940)	2	**	
11	37141-99EA0-000	KEY (941)	2	**	
11	37141-99EB0-000	KEY (942)	2	**	
12	37143-99E00-000	CAP, KEY	2	**	
13	37820-93J93-000	SWITCH ASSY, EMERGENCY	1	*	
14	37139-99E10-000	PANEL	1	*	
15	03121-0516A-000	SCREW	4	*	
15A	38500-93J90-000	BUZZER ASSY, WARNING	1	*	MODEL:06~
15B	09407-08401-000	CLAMP BUZZER	1	*	MODEL:06~
16	37100-93J20-000	PANEL ASSY, ENGINE SW	1		
16	37100-96J23-000	PANEL ASSY, ENGINE SW	1		MODEL:06~
17	37110-93J00-000	SWITCH ASSY, IGNITION	1	*	
18	37820-93J03-000	SWITCH ASSY, EMERGENCY	1	*	
19	37139-99E20-000	PANEL	1	*	
20	03121-0516A-000	SCREW	4	*	
21	38500-93J90-000	BUZZER ASSY, WARNING	1	*	MODEL:06~
22	09407-08401-000	CLAMP BUZZER	1	*	MODEL:06~

DP005096.TIF DF140TLK11(E1) K11 2011 / OPT : TRIM SWITCH (MODEL:02~04)

FIG.67



DF140T 140Z E01_067
OPT:TRIM SWITCH-C

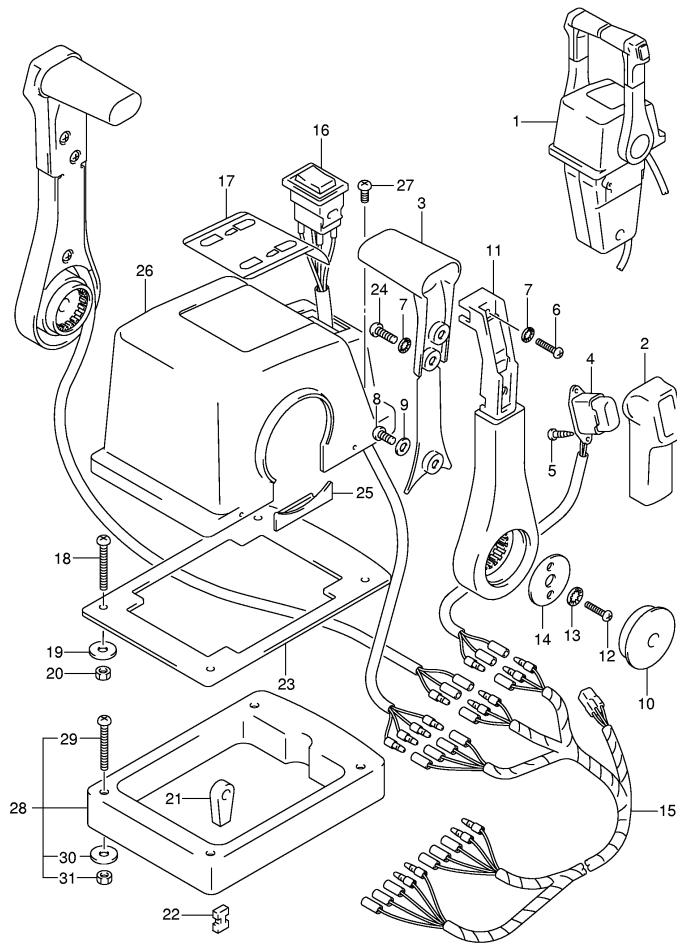
Part List

DP005096.TIF DF140TLK11(E1) K11 2011 / OPT : TRIM SWITCH (MODEL:02~04)

REF NO	PART NO	DESCRIPTION	QTY	KIT	NOTES
1	37850-87D03-000	SWITCH ASSY, TILT & TRIM	1		L:5000
2	37860-95324-000	SWITCH TRIM, UP	1	*	
3	37870-95324-000	SWITCH TRIM, DN	1	*	
4	09159-14014-000	NUT	2	*	
5	37852-95211-000	PLATE, TRIM SWITCH	1	*	
6	09100-08232-000	BOLT (8X30)	2	*	
7	09160-08082-000	WASHER (8.5X16X1.2)	4	*	
8	09140-08019-000	NUT	2	*	
9	02142-04127-000	SCREW	2	*	
10	08310-00047-000	NUT	2	*	
11	37862-95201-000	LEAD, TRIM SW EXTENSION	1		

DP005172.TIF DF140TLK11(E1) K11 2011 / OPT:TOP MOUNT DUAL (1)

FIG.68



DF140T 140Z E01_068
OPT:TOP MOUNT DUAL (1)-C

Part List

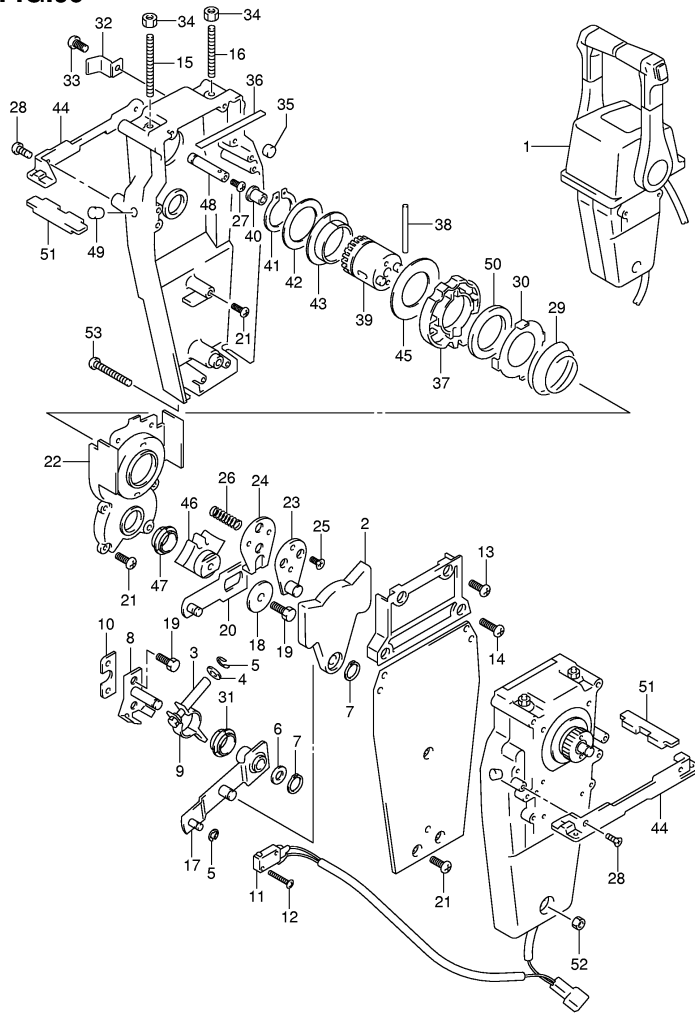
DP005172.TIF DF140TLK11(E1) K11 2011 / OPT:TOP MOUNT DUAL (1)

REF NO	PART NO	DESCRIPTION	QTY	KIT	NOTES
1	67200-92E13-000	REMOTE CONTROL ASSY	1		->7200-92E14
1	67200-92E14-000	REMOTE CONTROL ASSY	1		->7200-92E15
1	67200-92E15-000	REMOTE CONTROL ASSY	1		
1	67200-93J21-000	REMOTE CONTROL ASSY	1		MODEL:05, ->7200-93J22
1	67200-93J22-000	REMOTE CONTROL ASSY	1		MODEL:05~
2	67261-92E00-000	GRIP, NO.1	2	*	
2	67261-93J00-000	GRIP, NO.1	2	*	FOR 67200-92E14, 67200-92E15, 67200-93J21, 67200-93J22
3	67263-92E00-000	GRIP, NO.2	2	*	
3	67263-93J00-000	GRIP, NO.2	2	*	FOR 67200-92E14, 67200-92E15, 67200-93J21, 67200-93J22
4	37850-92E26-000	SWITCH ASSY, PTT	2	*	
4	37850-93J10-000	SWITCH ASSY, PTT	2	*	FOR 67200-92E14, 67200-92E15, 67200-93J21, 67200-93J22
5	67295-92E10-000	SCREW	4	*	
6	67296-88D10-000	SCREW	2	*	
7	67288-92E20-000	WASHER	6	*	
8	67296-92E70-000	SCREW	2	*	
9	67288-92E40-000	WASHER	2	*	
10	67257-92E00-000	CAP, LEVER	2	*	
11	67251-92E00-000	LEVER, HANDLE	2	*	
11	67251-93J00-000	LEVER, HANDLE	2	*	FOR 67200-92E14, 67200-92E15, 67200-93J21, 67200-93J22
12	67296-92E60-000	SCREW	4	*	
13	67288-92E30-000	WASHER	4	*	
14	67253-92E00-000	WASHER	2	*	
15	36890-92E10-000	WIRE HARNESS	1	*	
15	36890-93J10-000	WIRE HARNESS	1	*	FOR 67200-93J21, 67200-93J22
16	37220-92E00-000	SWITCH ASSY, MODE CHANGING	1	*	
17	67282-92E00-000	DECAL	1	*	
17	67282-93J00-000	DECAL	1	*	FOR 67200-92E14, 67200-92E15, 67200-93J21, 67200-93J22
18	67296-92E30-000	SCREW	4	*	
19	09160-05024-000	WASHER	4	*	
20	67287-92E00-000	NUT	4	*	
21	67275-95600-000	END, CABLE	4	*	
22	67273-95600-000	SPACER	2	*	
23	67273-92E10-000	GROMMET	1	*	
24	67295-92E00-000	SCREW	4	*	
25	67271-92E00-000	COVER	2	*	
26	67211-93J10-000	COVER	1	*	
27	67296-92E70-	SCREW	2	*	FOR 67200-92E15, 67200-93J22

	000				
28	67500-93J10-000	KIT, REMOCON SPACER TWIN	1		FOR 67200-92E14, 67200-92E15, 67200-93J21, 67200-93J22
29	09125-05135-000	SCREW	4	*	
30	09160-05029-000	WASHER	4	*	
31	09140-05005-000	NUT	4	*	

DP005154.TIF DF140TLK11(E1) K11 2011 / OPT:TOP MOUNT DUAL (2)

FIG.69



DF140T 140Z E01_069
OPT:TOP MOUNT DUAL (2)-C

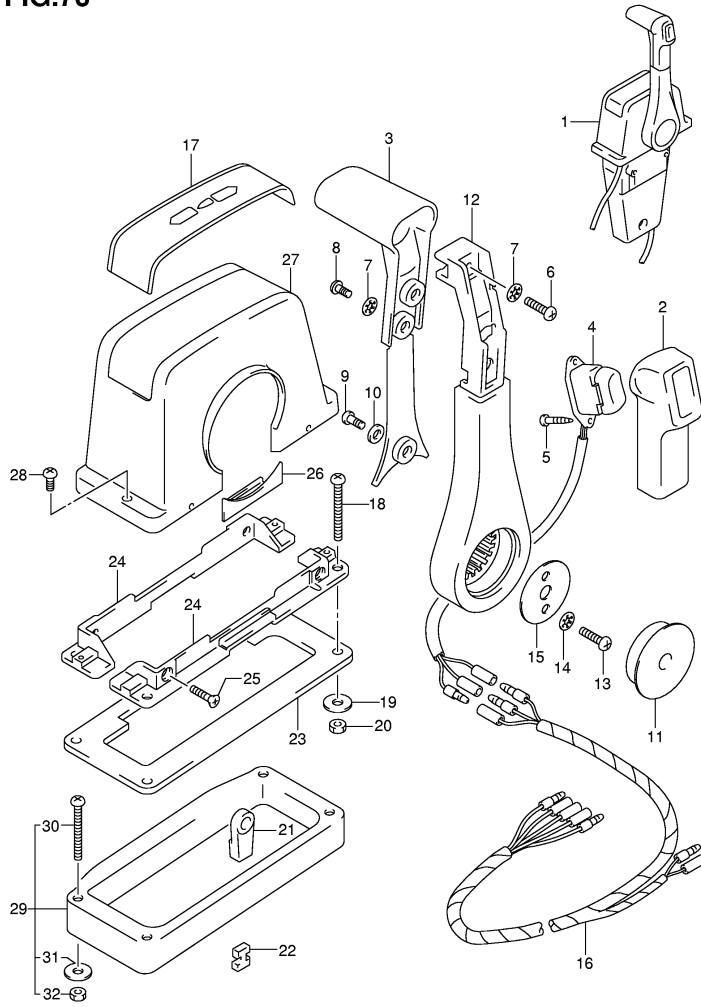
Part List

DP005154.TIF DF140TLK11(E1) K11 2011 / OPT:TOP MOUNT DUAL (2)

REF NO	PART NO	DESCRIPTION	QTY	KIT	NOTES
1	67200-92E13-000	REMOTE CONTROL ASSY, TWIN	1		->7200-92E14
1	67200-92E14-000	REMOTE CONTROL ASSY, TWIN	1		->7200-92E15
1	67200-92E15-000	REMOTE CONTROL ASSY, TWIN	1		
1	67200-93J21-000	REMOTE CONTROL ASSY, TWIN	1		MODEL:05, ->7200-93J22
1	67200-93J22-000	REMOTE CONTROL ASSY, TWIN	1		MODEL:05~
2	67222-92E00-000	DUAL PLATE	2	*	
3	67223-92E00-000	BRAKE ADJUST	2	*	
4	67288-92E00-000	WASHER	2	*	
5	67292-94300-000	E RING	8	*	
6	67288-92E10-000	WASHER	2	*	
7	67291-92E00-000	SNAP RING	4	*	
8	67221-92E00-000	SHIFT ASSY	2	*	
9	67224-92E00-000	BRAKE ARM ASSY	2	*	
10	67294-92E00-000	SPACER	2	*	
11	37721-92E10-000	SWITCH ASSY, N/R	1	*	
12	67296-92E10-000	SCREW	4	*	
13	67296-88D10-000	SCREW	4	*	
14	67296-92E20-000	SCREW	4	*	
15	67226-92E00-000	BOLT, STOPPER FRONT	2	*	
16	67226-92E10-000	BOLT, STOPPER RR	2	*	
17	67240-92E00-000	ARM ASSY, THROTTLE	2	*	
18	67228-92E00-000	WASHER	2	*	
19	67286-92E00-000	BOLT	6	*	
20	67230-92E00-000	ARM ASSY, SHIFT	2	*	
21	09125-05042-000	SCREW	16	*	5X10
22	67234-92E00-000	CASE, GEAR	2	*	
23	67245-92E00-000	LEVER ASSY, THROTTLE	2	*	
24	67227-92E00-000	STOPPER	2	*	
25	09126-06006-000	SCREW	4	*	
26	67225-92E00-000	SPRING	2	*	
27	09125-04004-000	SCREW	2	*	
28	67296-95610-000	SCREW	4	*	
29	67233-92E00-000	SPRING	2	*	
30	67235-92E00-000	PLATE, SHIFT LOCK	2	*	
31	67232-95620-000	BUSH	2	*	
32	67269-92E00-000	BRACKET	2	*	
33	67296-88D10-000	SCREW	2	*	
34	09140-06020-000	NUT	4	*	
35	67236-92E00-000	ROLLER	2	*	
36	67237-92E01-000	SPRING	12	*	
37	67238-92E00-000	GEAR, DRIVE	2	*	
38	67239-92E00-000	PIN	2	*	
39	67246-92E00-000	SHAFT, DRIVE	2	*	
40	67252-92E00-000	BUSH	2	*	
41	67291-92E10-000	SNAP RING	2	*	
42	67253-92E10-000	WASHER	2	*	
43	67252-92E10-000	BUSH	2	*	
44	67274-92E00-000	FLANGE	2	*	
45	67253-95600-000	WASHER	2	*	
46	67231-92E00-000	GEAR, SHIFT	2	*	
47	67232-95600-000	BUSH	2	*	
48	67241-92E00-000	ROD, FREE ACC	2	*	
49	67243-92E00-000	GROMMET	2	*	
50	67239-92E10-000	PLATE, SHIFT PIN	2	*	
51	67272-92E10-000	SEAL, FLANGE	2	*	
52	67287-92E10-000	NUT	1	*	
53	67296-92E80-000	SCREW	3	*	

DP005143.TIF DF140TLK11(E1) K11 2011 / OPT:TOP MOUNT SINGLE (1)(MODEL:05~)

FIG.70



DF140T 140Z E01_070
OPT:TOP MOUNT SINGLE (1)-C

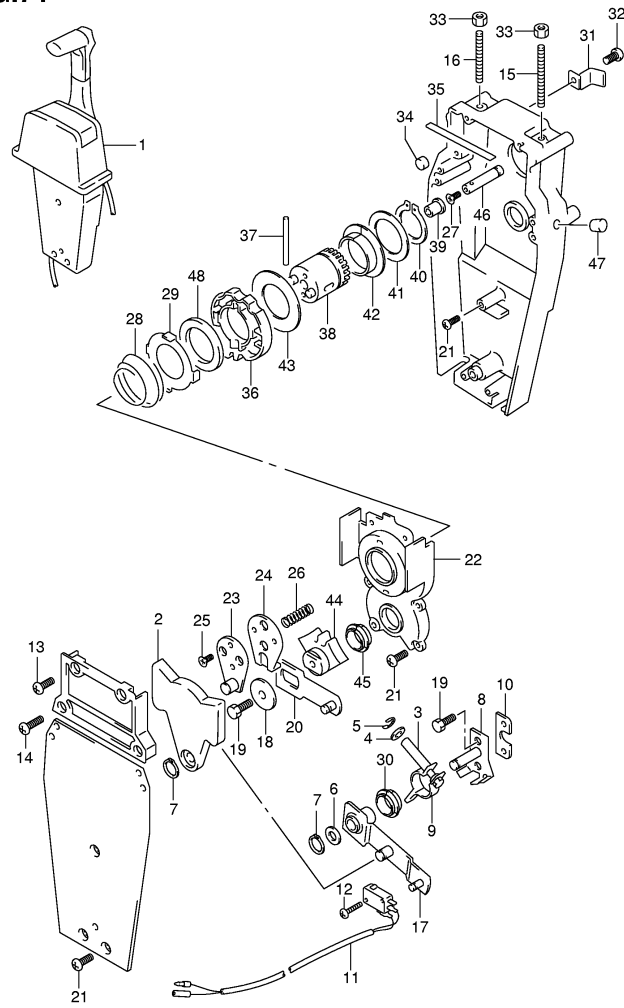
Part List

DP005143.TIF DF140TLK11(E1) K11 2011 / OPT:TOP MOUNT SINGLE (1)(MODEL:05~)

REF NO	PART NO	DESCRIPTION	QTY	KIT	NOTES
1	67200-93J12-000	REMOTE CONTROL ASSY	1		PUSH
2	67261-93J00-000	GRIP, NO.1	1	*	
3	67263-93J00-000	GRIP, NO.2	1	*	
4	37850-93J10-000	SWITCH ASSY, PTT	1	*	
5	67295-92E10-000	SCREW	2	*	
6	67296-88D10-000	SCREW	1	*	
7	67288-92E20-000	WASHER	3	*	
8	67295-92E00-000	SCREW	2	*	
9	67296-92E70-000	SCREW	1	*	
10	67288-92E40-000	WASHER	1	*	
11	67257-92E00-000	CAP, LEVER	1	*	
12	67251-93J00-000	LEVER, HANDLE	1	*	
13	67296-92E60-000	SCREW	2	*	
14	67288-92E30-000	WASHER	2	*	
15	67253-92E00-000	WASHER	1	*	
16	36890-93J00-000	WIRE HARNESS	1	*	
17	67281-93J00-000	DECAL	1	*	
18	67296-92E30-000	SCREW	4	*	
19	09160-05024-000	WASHER	4	*	
20	67287-92E00-000	NUT	4	*	
21	67275-95600-000	END, CABLE	2	*	
22	67273-95600-000	SPACER	1	*	
23	67273-92E00-000	GROMMET	1	*	
24	67274-92E00-000	FLANGE	2	*	
25	67296-95610-000	SCREW	4	*	
26	67271-92E00-000	COVER	1	*	
27	67211-93J00-000	COVER	1	*	
28	67296-92E70-000	SCREW	2	*	
29	67500-93J00-000	KIT, REMOCON SPACER SINGLE	1		
30	09125-05135-000	SCREW	4	*	
31	09160-05029-000	WASHER	4	*	
32	09140-05005-000	NUT	4	*	

DP005112.TIF DF140TLK11(E1) K11 2011 / OPT:TOP MOUNT SINGLE (2)(MODEL:05~)

FIG.71



DF140T 140Z E01_071
OPT:TOP MOUNT SINGLE (2)-C

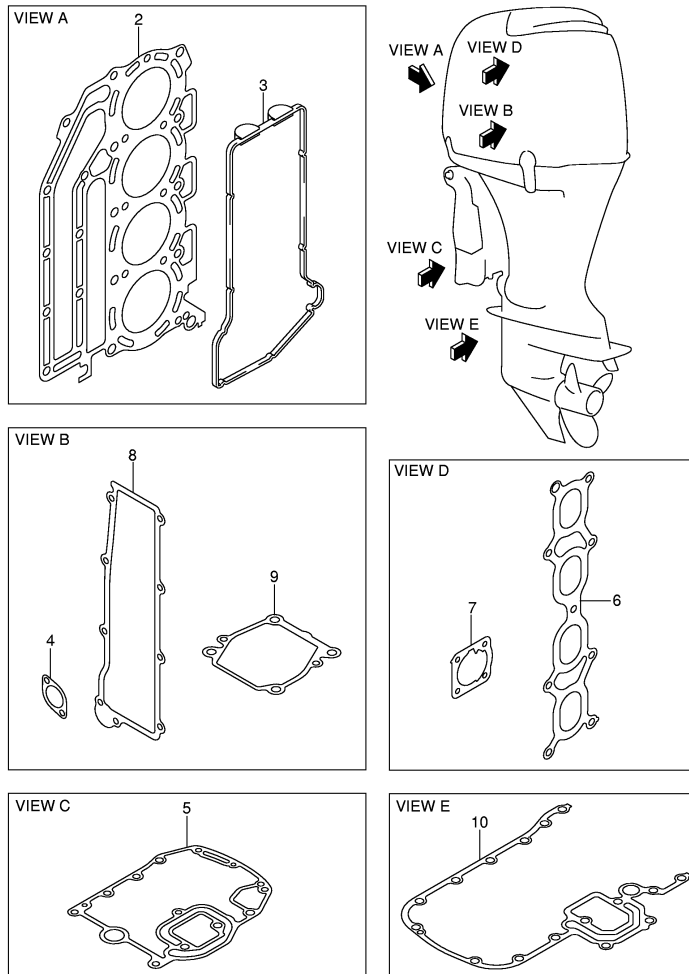
Part List

DP005112.TIF DF140TLK11(E1) K11 2011 / OPT:TOP MOUNT SINGLE (2)(MODEL:05~)

REF NO	PART NO	DESCRIPTION	QTY	KIT	NOTES
1	67200-93J12-000	REMOTE CONTROL ASSY	1		PUSH
2	67222-92E00-000	DUAL PLATE	1	*	
3	67223-92E00-000	BRAKE ADJUST	1	*	
4	67288-92E00-000	WASHER	1	*	
5	67292-94300-000	E RING	4	*	
6	67288-92E10-000	WASHER	1	*	
7	67291-92E00-000	SNAP RING	2	*	
8	67221-92E00-000	SHIFT ASSY	1	*	
9	67224-92E00-000	BRAKE ARM ASSY	1	*	
10	67294-92E00-000	SPACER	1	*	
11	37721-95500-000	SWITCH ASSY, N/R	1	*	
12	67296-92E10-000	SCREW (3X15)	2	*	
13	67296-88D10-000	SCREW (5X16)	2	*	
14	67296-92E20-000	SCREW (5X25)	2	*	
15	67226-92E00-000	BOLT, STOPPER FRONT	1	*	
16	67226-92E10-000	BOLT, STOPPER REAR	1	*	
17	67240-92E00-000	ARM ASSY, THROTTLE	1	*	
18	67228-92E00-000	WASHER	1	*	
19	67286-92E00-000	BOLT (6X18)	3	*	
20	67230-92E00-000	ARM ASSY, SHIFT	1	*	
21	09125-05042-000	SCREW (5X10)	9	*	
22	67234-92E00-000	CASE, GEAR	1	*	
23	67245-92E00-000	LEVER ASSY, THROTTLE	1	*	
24	67227-92E00-000	STOPPER	1	*	
25	09126-06006-000	SCREW (6X20)	2	*	
26	67225-92E00-000	SPRING	1	*	
27	09125-04004-000	SCREW (4X6)	1	*	
28	67233-92E00-000	SPRING	1	*	
29	67235-92E00-000	PLATE, SHIFT LOCK	1	*	
30	67232-95620-000	BUSH	1	*	
31	67269-92E00-000	BRACKET	1	*	
32	67296-88D10-000	SCREW	1	*	
33	09140-06020-000	NUT	2	*	
34	67236-92E00-000	ROLLER	1	*	
35	67237-92E01-000	SPRING	6	*	
36	67238-92E00-000	GEAR, DRIVE	1	*	
37	67239-92E00-000	PIN	1	*	
38	67246-92E00-000	SHIFT, DRIVE	1	*	
39	67252-92E00-000	BUSH	1	*	
40	67291-92E10-000	SNAP RING	1	*	
41	67253-92E10-000	WASHER	1	*	
42	67252-92E10-000	BUSH	1	*	
43	67253-95600-000	WASHER	1	*	
44	67231-92E00-000	GEAR, SHIFT	1	*	
45	67232-95600-000	BUSH	1	*	
46	67241-92E00-000	ROD, FREE ACC	1	*	
47	67243-92E00-000	GROMMET	1	*	
48	67239-92E10-000	PLATE, SHIFT PIN	1	*	

DP005095.TIF DF140TLK11(E1) K11 2011 / OPT:GASKET SET

FIG.72



DF140T 140Z E01_072
OPT:GASKET SET-C

Part List

DP005095.TIF DF140TLK11(E1) K11 2011 / OPT:GASKET SET

REF NO	PART NO	DESCRIPTION	QTY	KIT	NOTES
1	11400-92854-000	GASKET SET	1		
1	11400-92860-000	GASKET SET	1		DF140T:682149~, DF140Z:680234~
2	11141-92J01-000	GASKET, CYL HEAD	1	*	
3	11189-90J00-000	GASKET, CYL HEAD COVER	1	*	
4	11265-87E10-000	GASKET, PROTECTION ANODE	2	*	
5	11489-90J00-000	GASKET, OIL PAN	1	*	
6	13119-90J00-000	GASKET, INTAKE MANIFOLD	1	*	
7	13421-90J00-000	GASKET, THROTTLE BODY	1	*	
8	14151-90J00-000	GASKET, RECTIFIER	1	*	
9	17472-87E10-000	GASKET, PUMP CASE PANEL	1	*	
10	51211-90J10-000	GASKET, ENGINE HOLDER	1	*	
10	51211-90J21-000	GASKET, ENGINE HOLDER	1	*	DF140T:682149~, DF140Z:680234~
11	99011-92J00-051	MANUAL, OWNER'S	1		8 LANGUAGE MODEL:02, DRAWING NOT SHOWN
11	99011-90J02-051	MANUAL, OWNER'S	1		8 LANGUAGE MODEL:03
11	99011-90J03-051	MANUAL, OWNER'S	1		8 LANGUAGE MODEL:04
11	99011-90J04-051	MANUAL, OWNER'S	1		8 LANGUAGE MODEL:05
11	99011-90J05-051	MANUAL, OWNER'S	1		8 LANGUAGE MODEL:06
11	99011-92J00-04B	MANUAL, OWNER'S	1		5 LANGUAGE MODEL:02
11	99011-90J02-04B	MANUAL, OWNER'S	1		5 LANGUAGE MODEL:03
11	99011-90J03-04B	MANUAL, OWNER'S	1		5 LANGUAGE MODEL:04
11	99011-90J04-04B	MANUAL, OWNER'S	1		5 LANGUAGE MODEL:05
11	99011-90J05-04B	MANUAL, OWNER'S	1		5 LANGUAGE MODEL:06
11	99011-90J06-04B	MANUAL, OWNER'S	1		5 LANGUAGE MODEL:07
11	99011-90J07-059	MANUAL, OWNER'S	1		6 LANGUAGE MODEL:08
11	99011-90J08-059	MANUAL, OWNER'S	1		6 LANGUAGE MODEL:09
11	99011-90J09-059	MANUAL, OWNER'S	1		6 LANGUAGE MODEL:10
11	99011-90J11-059	MANUAL, OWNER'S	1		6 LANGUAGE, DF140T:110001~, DF140Z:110001~
11	99011-90J01-01H	MANUAL, OWNER'S	1		DUTCH MODEL:02
11	99011-90J02-01H	MANUAL, OWNER'S	1		DUTCH MODEL:03
11	99011-90J03-01H	MANUAL, OWNER'S	1		DUTCH MODEL:04
11	99011-90J04-01H	MANUAL, OWNER'S	1		DUTCH MODEL:05
11	99011-90J05-01T	MANUAL, OWNER'S	1		3 LANGUAGE MODEL:06
11	99011-90J06-054	MANUAL, OWNER'S	1		11 LANGUAGE MODEL:07
11	99011-90J07-054	MANUAL, OWNER'S	1		11 LANGUAGE MODEL:08
11	99011-90J08-054	MANUAL, OWNER'S	1		11 LANGUAGE MODEL:09
11	99011-90J12-054	MANUAL, OWNER'S	1		11 LANGUAGE MODEL:10
11	99011-90J11-054	MANUAL, OWNER'S	1		11 LANGUAGE, DF140T:110001~, DF140Z:110001~