

БОЛЬШОЙ СКЛАД ЗАПЧАСТЕЙ В САНКТ-ПЕТЕРБУРГЕ

Для лодочных моторов Suzuki в наличии все ходовые запчасти, сервисные наборы, расходные материалы, оригинальные аксессуары, оригинальные и не оригинальные гребные винты, “ноги”, тросы для установки на лодку и многое другое.

Найдите в каталоге коды необходимых запчастей

и отправьте их список на Email: parts-katalog@yandex.ru

мы пришлём информацию о цене и наличии

Возможен самовывоз со склада в Санкт-Петербурге

или отправка EMS по России

Наш сайт: www.partskatalog.ru

Контактный телефон: +7 (981) 121-46-93

Особое внимание, обратите на модификацию двигателя. Сверьте серийный номер и скачайте «правильный» каталог запчастей. Не путайте старые моторы серии «Т» и новые серии «А».

SUZUKI

PARTS CATALOGUE

DF200/225/250

DF200T/Z

DF225T/Z

DF250T/Z

DF250ST



OUTBOARD MOTOR

(for production start dec. 2011)

E03

2013-9

2ND EDITION

This part catalogue supersedes all the following part catalogue with immediate effect

Model of catalogue	Parts catalogue No.
DF200/225/250	9900B-45244

PREFACE

When it becomes necessary to replace parts on SUZUKI OUTBOARD MOTORS, always use SUZUKI GENUINE PARTS which have passed a strict inspection which guarantees quality and performance.

This parts catalogue covers the list of all service parts for SUZUKI DF200/225/250 production start Dec. 2011.

INSTRUCTIONS FOR QUOTING THE CATALOGUE

1. DIMENSIONS

Dimensions of the parts in this catalogue are indicated in unit millimeters.

2. ABBREVIATIONS

Abbreviations used in this catalogue are as follows:

AR	: As required	NT	: Number of teeth
ASSY	: Assembly	OPT	: Optional
E. NO.	: Engine number	OS	: Over size
F. NO.	: Frame number	STD	: Standard
D	: Diameter of material	T	: Thickness
ID	: Inside diameter	US	: Under size
OD	: Outside diameter	W	: Width
L	: Length	W/	: With
LH(PORT)	: Left hand side	L, X, XX	: Transom type
RH(STBD)	: Right hand side	SUS	: Stainless steel
~123456	: Up to E. NO. 25003F-123456	PTT	: Power trim and tilt
123456~	: From E. NO. 25003F-123456		

12 x 34 x 5.6..... Figures in the description column
| | | show the dimensions of parts.
ID OD T(or W, L)

→12345-56781 (Parts No.) : indicates that the parts number was changed to 12345-56781 and the new parts are interchangeable with the former ones but the former ones are not interchangeable with new ones.

←12345-56781 (Parts No.) : indicates that the former and new parts are interchangeable with each other and both are usable.

3. INNER PARTS OF ASSEMBLY

Part name with a dot (.) in front as shown in the description column indicates the component of the assembly also available individually.

4. MODIFICATION NOTICE

A parts bulletin will be sent to you on all occasions when changes in parts occur, including interchangeable modifications between new parts and old ones.

5. NOTE

5-1. There are some different parts from those of production models among spare parts for the administrative reasons and common use of them with other models.

5-2. In respect of rubber hoses and vinyl tubes, please be sure to use them by cutting off according to the length mentioned on parts catalogue or what is actually required on the vehicle.

5-3. Note that the drawings on the illustration page are for ready reference of spare parts number, not to be used as an assembly manual. When assembling, use "SUZUKI SERVICE MANUAL".

6. MODEL NAME AND ENGINE NUMBER

MODEL	DESTINATION	TYPE	TRANSOM	ENGINE No.
DF200T	E03	20002F	L, X	20002F-210001~
DF200Z	E03	20002Z	X	20002Z-210001~
DF225T	E03	22503F	X, XX	22503F-210001~
DF225Z	E03	22503Z	X, XX	22503Z-210001~
DF250T	E03	25003F	X, XX	25003F-210001~
DF250Z	E03	25003Z	X, XX	25003Z-210001~
DF250ST	E03	25004F	L	25004F-210001~

PREFACE

Quand il devient nécessaire de remplacer des pièces sur SUZUKI MOTEURS HORSBOARD toujours utiliser les PIÈCES D'ORIGINE SUZUKI qui ont été soumises à des contrôles de qualité sévères leur garantissant qualité et performance impeccables.

Ce catalogue de pièces détachées couvre la liste de toutes les pièces de rechange pour SUZUKI DF200/225/250 production start Dec. 2011.

1. DIMENSIONS

Les dimensions des pièces dans ce catalogue sont indiquées en unités de millimètres.

2. ABREVIATIONS

Les abréviations utilisées dans ce catalogue sont les suivantes:

AR	: Comme requis	NT	: Nombre de dents
ASSY	: Assemblage	OPT	: Sur option
E. NO.	: Numéro du moteur	OS	: Sur-dimensionné
F. NO.	: Numéro du chassis	T	: Epaisseur
ID	: Diamètre intérieur	US	: Sous-dimensionné
OD	: Diamètre extérieur	W	: Largeur
L	: Longueur		

LH(PORT) : Côté gauche

RH(STBD) : Côté droit

~123456 : Jusqu'à E. NO. 25003F-123456

123456~ : Depuis E. NO. 25003F-123456

12 x 34 x 5.6..... Les chiffres dans la colonne

| | | remarques montrent les dimensions

ID OD T(or W,L) des pièces comme suit.

-12345-56781 (N° de pièces) : indique que le numéro des pièces a été échangé en 12345-56781 et que les nouvelles pièces sont interchangeables avec les anciennes, mais que celles-ci ne sont pas interchangeables avec les nouvelles.

-12345-56781 (N° de pièces) : indique que les anciennes et nouvelles pièces sont interchangeables les unes avec les autres et sont utilisables chacune.

3. PIÈCES INTERNES DE L'ASSEMBLAGE

Les numéros de pièces qui comportent un point (.) avant la désignation de pièce détachée indique la pièce interne se rapportant à l'assemblage.

4. AVIS DE MODIFICATION

Un bulletin de pièces détachées vous sera envoyé à tout moment opportun quand des changements de pièces ont lieu, y compris les modifications de pièces interchangeables entre les nouvelles et anciennes pièces.

5. A NOTER

5-1. Il existe certaines pièces différentes de celles de rechange pour les modèles de production vu des raisons administratives et dont l'usage est commun avec celles d'autres modèles.

5-2. Concernant les durites en caoutchouc et les tuyaux en vinyle, ne pas manquer de les couper à la bonne longueur comme indiqué dans le catalogue des pièces détachées ou selon ce qui est utile pour le véhicule affecté.

5-3. Noter que les dessins à la page d'illustration servent à titre de référence pour les numéros de pièces détachées, et non pas comme référence pour l'assemblage. Pour cette dernière opération, se reporter au "MANUEL D'ENTRETIEN SUZUKI".

6. NOM DU MODELE / NUMERO DE SERIE DU MOTEUR

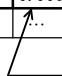
MODELE	DESTINATION	TYPE	HOUTEUR DE BARRE D'ARCADE	N° DELA MOTEUR
DF200T	E03	20002F	L, X	20002F-210001~
DF200Z	E03	20002Z	X	20002Z-210001~
DF225T	E03	22503F	X, XX	22503F-210001~
DF225Z	E03	22503Z	X, XX	22503Z-210001~
DF250T	E03	25003F	X, XX	25003F-210001~
DF250Z	E03	25003Z	X, XX	25003Z-210001~
DF250ST	E03	25004F	L	25004F-210001~

MILLIMETER → INCH CONVERSION CHART
 TABLEAU DE CONVERSION DE MILLIMETRES → POUCES

	0	1	2	3	4	5	6	7	8	9
00	.000	.039	.079	.118	.157	.197	.236	.276	.315	.354
10	.394	.433	.472	.512	.551	.591	.630	.669	.709	.748
20	.787	.827	.866	.906	.945	.984	1.024	1.063	1.102	1.142
30	1.181	1.220	1.260	1.299	1.339	1.378	1.417	1.457	1.496	1.535
40	1.575	1.614	1.654	1.693	1.732	1.772	1.811	1.850	1.890	1.929
50	1.969	2.008	2.047	2.087	2.126	2.165	2.205	2.214	2.283	2.323
60	2.362	2.402	2.441	2.480	2.520	2.559	2.598	2.638	2.677	2.717
70	2.756	2.795	2.835	2.874	2.913	2.953	2.992	3.031	3.071	3.110
80	3.150	3.189	3.228	3.268	3.307	3.346	3.386	3.425	3.465	3.504
90	3.543	3.583	3.622	3.661	3.701	3.740	3.780	3.819	3.858	3.898

How to read
 Mode de lecture

	0	1	2	3	4
00
10
20	0.906	...
30


 23 millimeters equal 0.906 in
 23 millimètres égalent 0.906 pouce

Contents are subject to change without notice or obligation.

Les matières traitées sont susceptibles d'être modifiées sans préavis obligation de notre part.

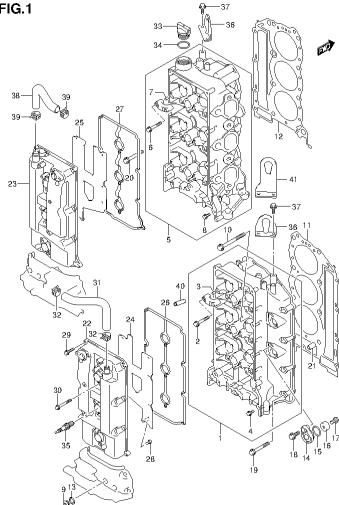
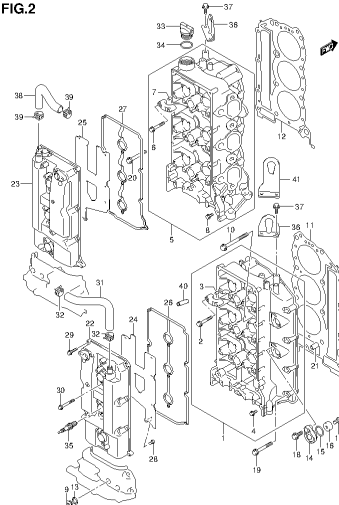
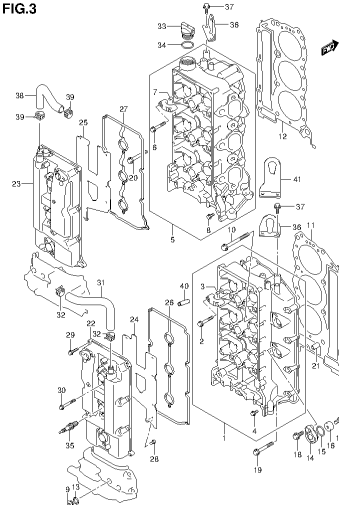
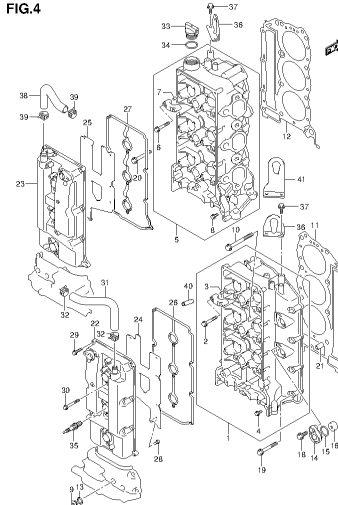
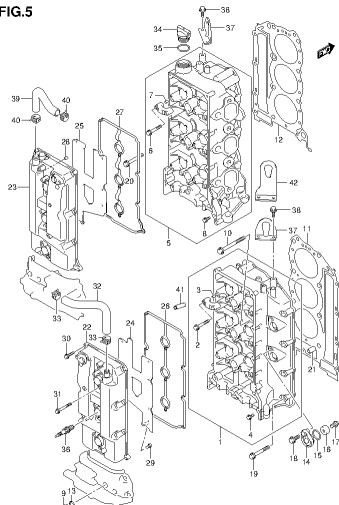
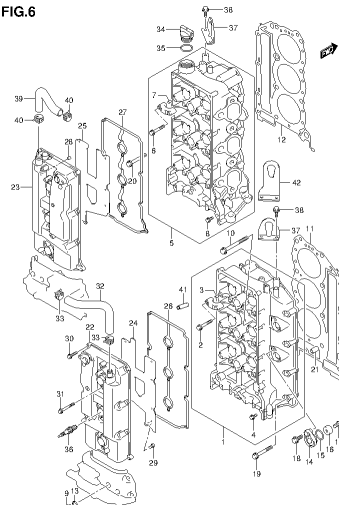
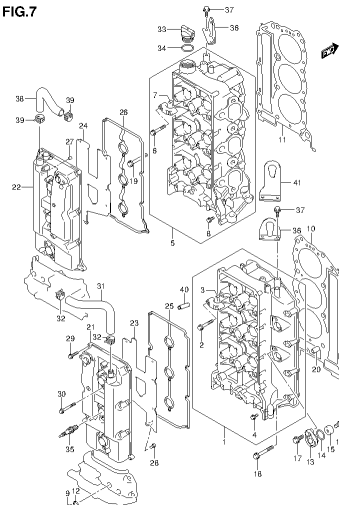
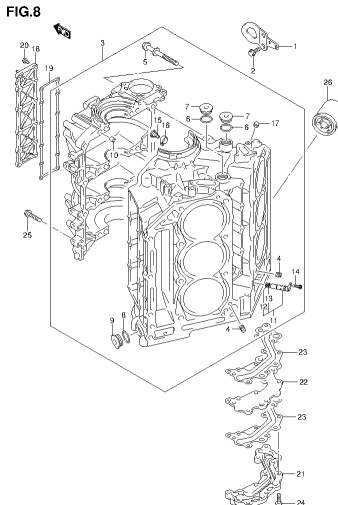
FIG.1DF250 E08 012_001
CYLINDER HEAD**FIG.2**DF250 E08 012_002
CYLINDER HEAD**FIG.3**DF250 E08 012_003
CYLINDER HEAD**FIG.4**DF250 E08 012_004
CYLINDER HEAD**FIG.5**DF250 E08 012_005
CYLINDER HEAD**FIG.6**DF250 E08 012_006
CYLINDER HEAD**FIG.7**DF250 E08 012_007
CYLINDER HEAD**FIG.8**DF250 E08 012_008
CYLINDER BLOCK

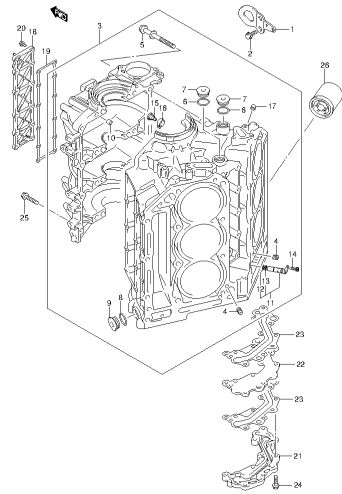
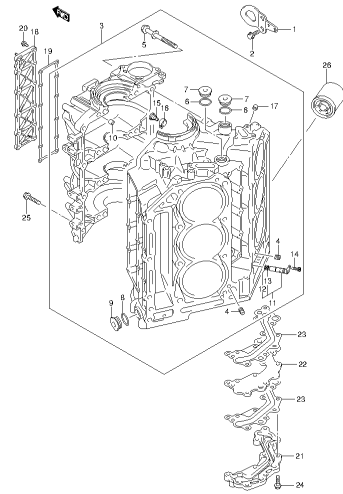
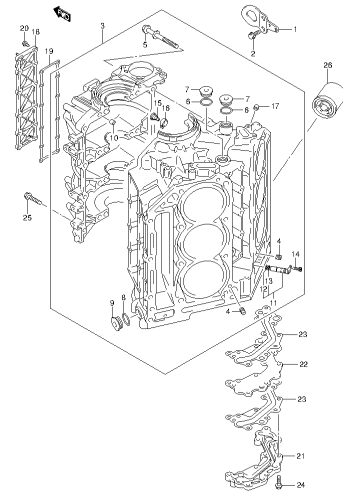
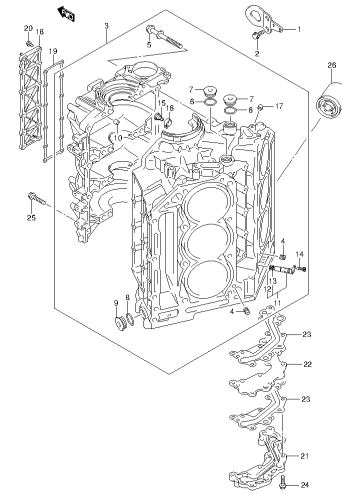
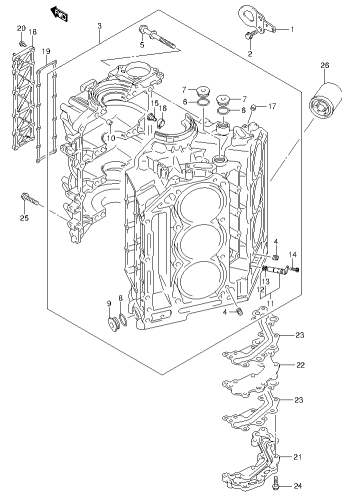
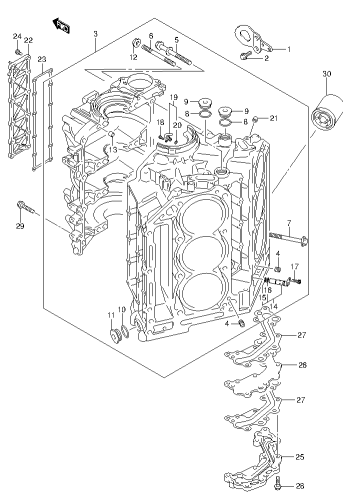
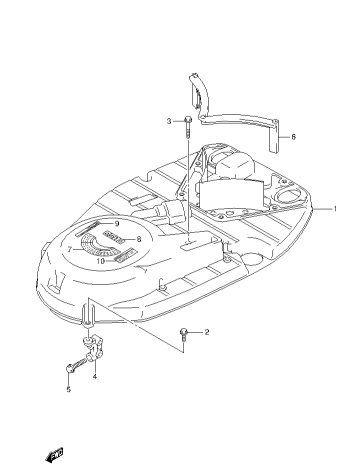
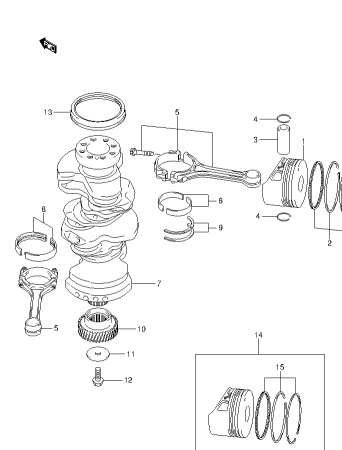
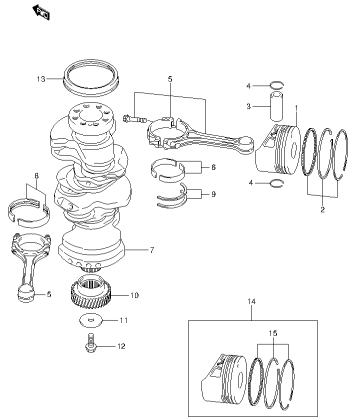
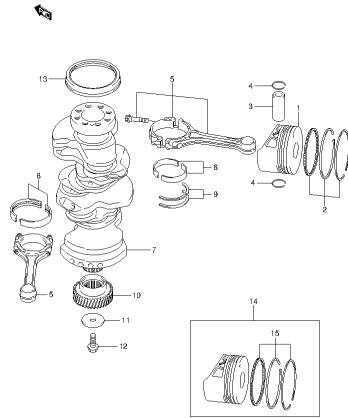
FIG.9DF250 E98 012_009
CYLINDER BLOCK**FIG.10**DF250 E98 012_010
CYLINDER BLOCK**FIG.11**DF250 E98 012_011
CYLINDER BLOCK**FIG.12**DF250 E98 012_012
CYLINDER BLOCK**FIG.13**DF250 E98 012_013
CYLINDER BLOCK**FIG.14**DF250 E98 012_014
CYLINDER BLOCK**FIG.15**DF250 E98 012_015
RING GEAR COVER**FIG.16**DF250 E98 012_016
CRANKSHAFT

FIG.17



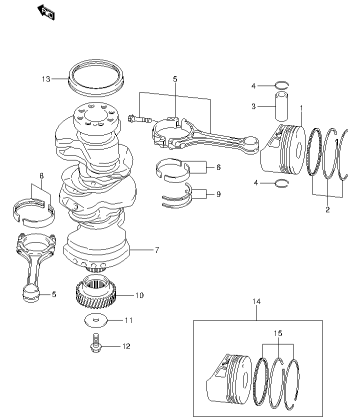
DF 250 E08 012_017
CRANKSHAFT

FIG.18



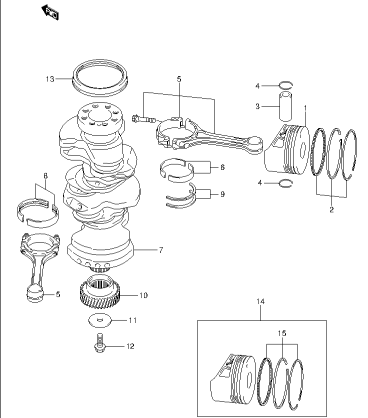
DF 250 E08 012_018
CRANKSHAFT

FIG.19



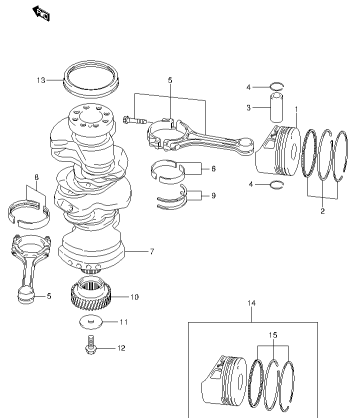
DF 250 E08 012_019
CRANKSHAFT

FIG.20



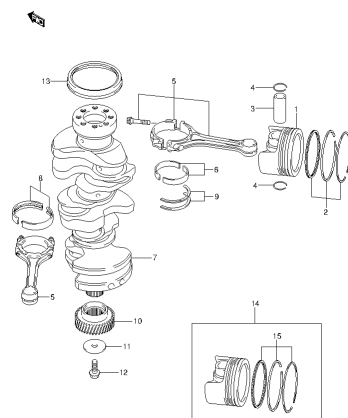
DF 250 E08 012_020
CRANKSHAFT

FIG.21



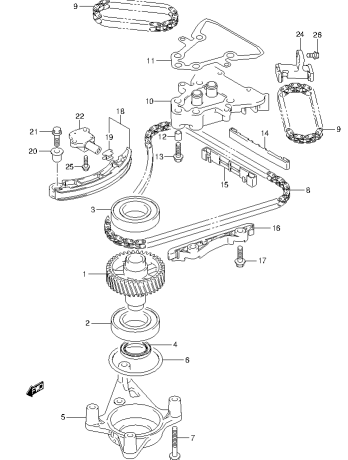
DF 250 E08 012_021
CRANKSHAFT

FIG.22



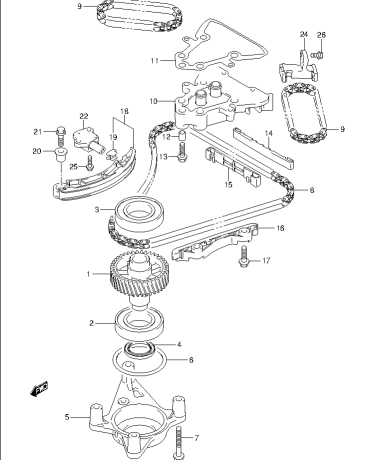
DF 250 E08 012_022
CRANKSHAFT

FIG.23



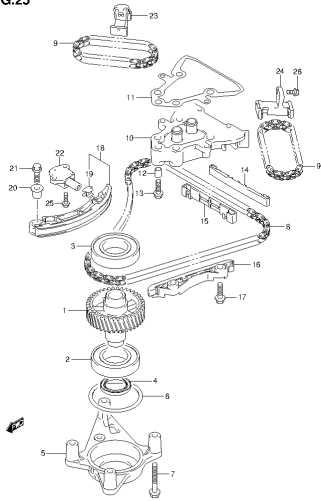
DF 250 E08 012_023
TIMING CHAIN

FIG.24



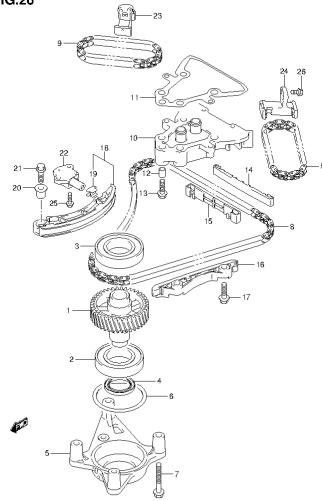
DF 250 E08 012_024
TIMING CHAIN

FIG.25



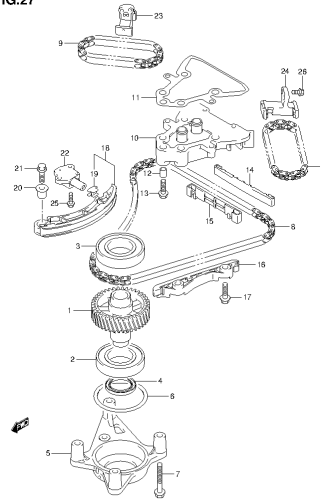
DF250 E08 012_025
TIMING CHAIN

FIG.26



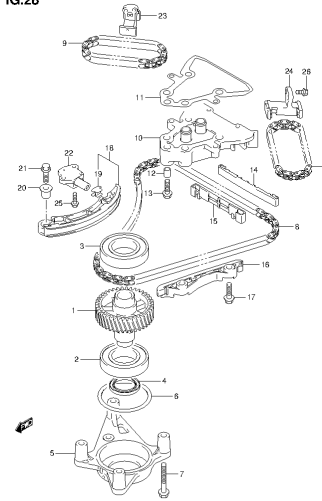
DF250 E08 012_026
TIMING CHAIN

FIG.27



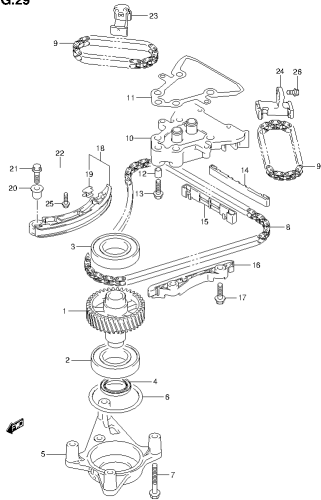
DF250 E08 012_027
TIMING CHAIN

FIG.28



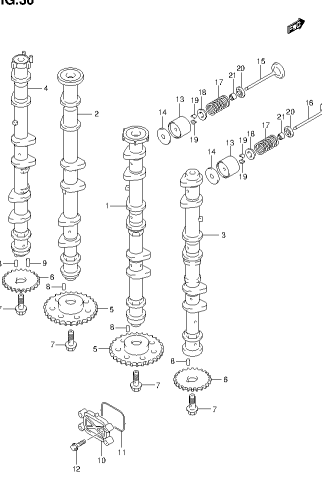
DF250 E08 012_028
TIMING CHAIN

FIG.29



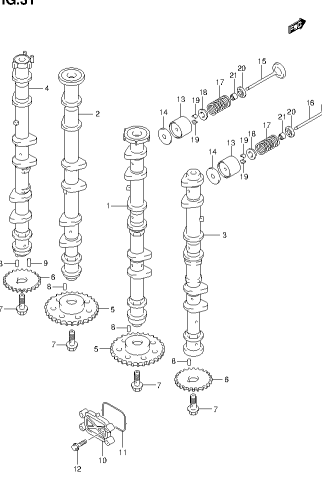
DF250 E08 012_029
TIMING CHAIN

FIG.30



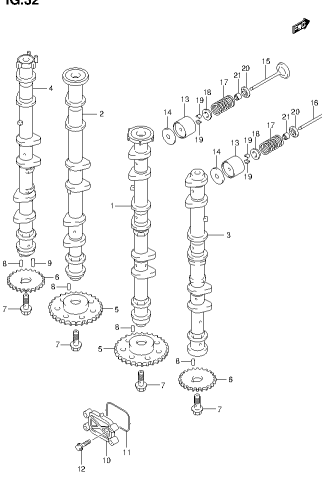
DF250 E08 012_030
CAMSHAFT

FIG.31

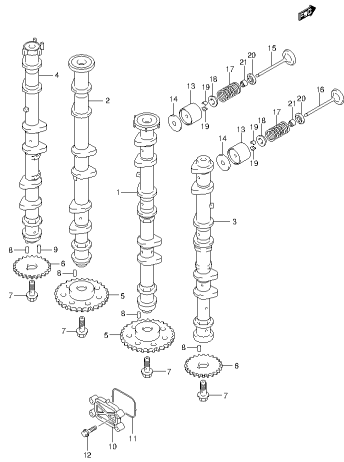


DF250 E08 012_031
CAMSHAFT

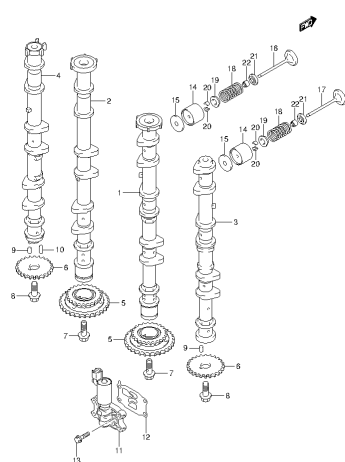
FIG.32



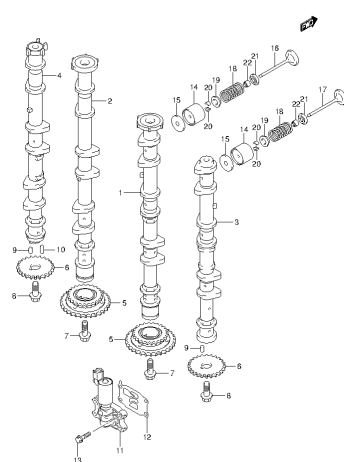
DF250 E08 012_032
CAMSHAFT

FIG.33

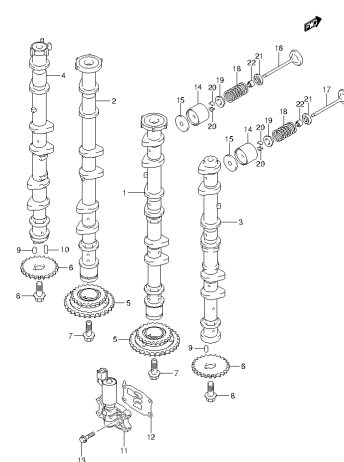
DF 250 E08 012_003
CAMSHF44T

FIG.34

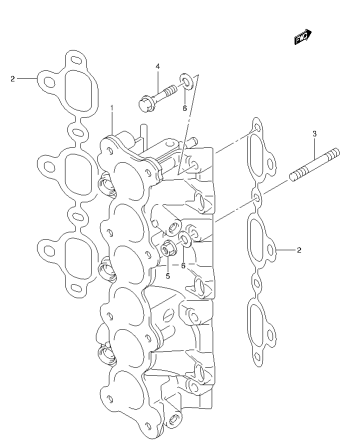
DF 250 E08 012_004
CAMSHF44T

FIG.35

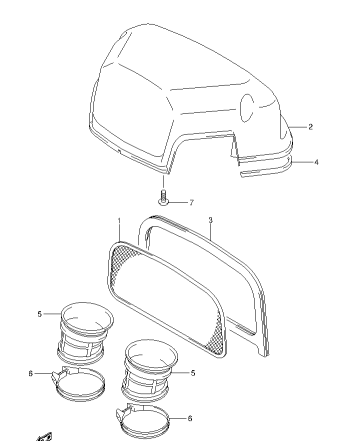
DF 250 E08 012_005
CAMSHF44T

FIG.36

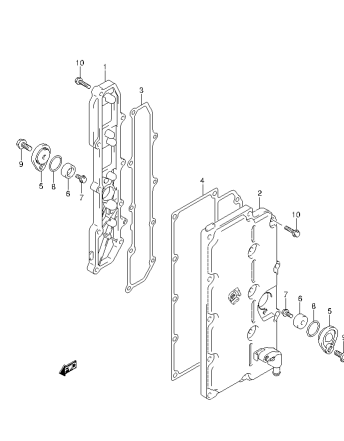
DF 250 E08 012_006
CAMSHF44T

FIG.37

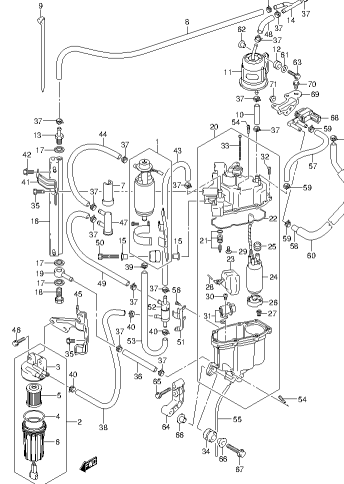
DF 250 E08 012_007
INTAKE MANIFOLD

FIG.38

DF 250 E08 012_008
SILENCER

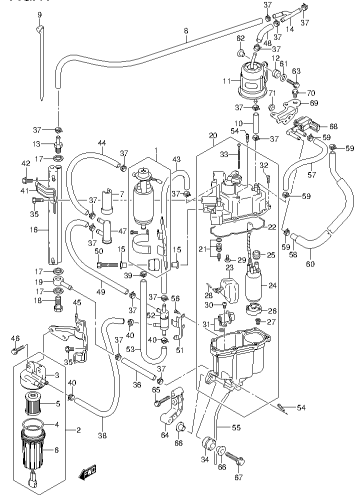
FIG.39

DF 250 E08 012_009
EXHAUST COVER

FIG.40

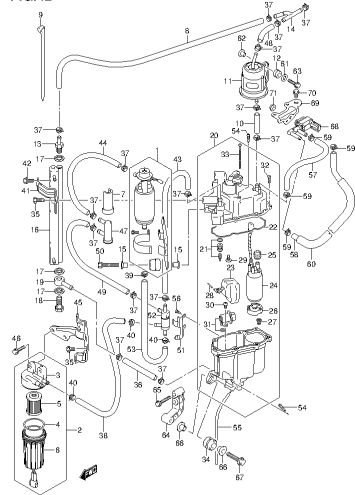
DF 250 E08 012_040
FUEL PUMP-FUEL VAPOR SEPARATOR

FIG.41



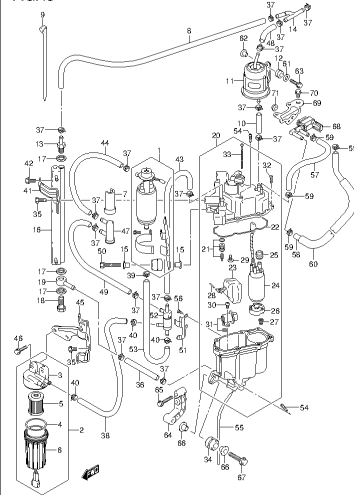
DF250 E03 012_041
FUEL PUMP/FUEL VAPOR SEPARATOR

FIG.42



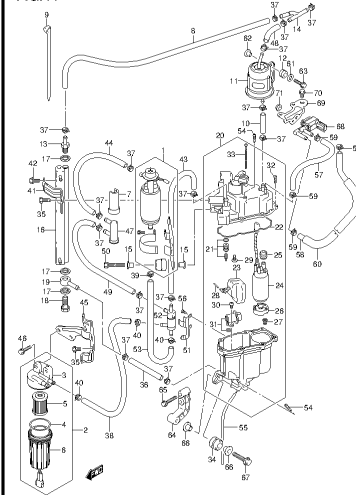
DF250 E03 012_042
FUEL PUMP/FUEL VAPOR SEPARATOR

FIG.43



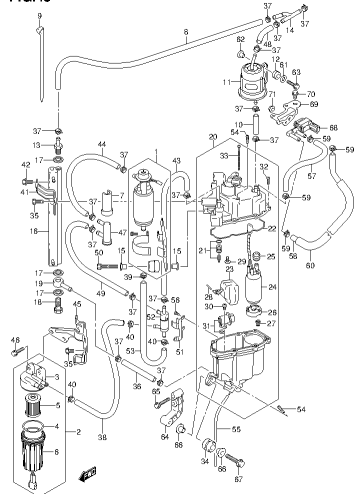
DF250 E03 012_043
FUEL PUMP/FUEL VAPOR SEPARATOR

FIG.44



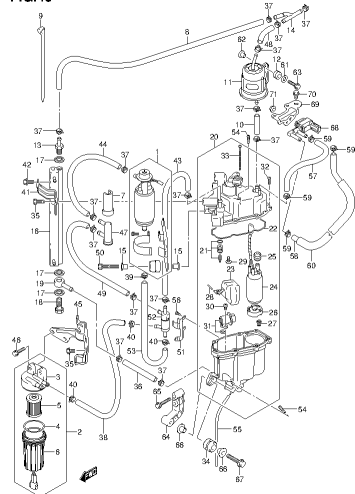
DF250 E03 012_044
FUEL PUMP/FUEL VAPOR SEPARATOR

FIG.45



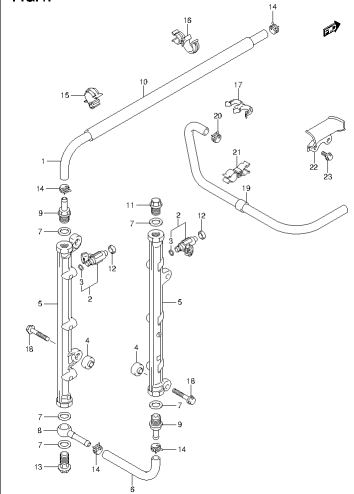
DF250 E03 012_045
FUEL PUMP/FUEL VAPOR SEPARATOR

FIG.46



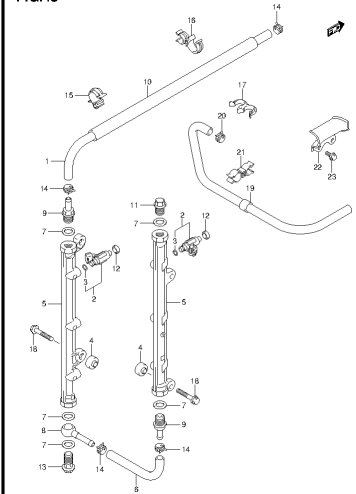
DF250 E03 012_046
FUEL PUMP/FUEL VAPOR SEPARATOR

FIG.47



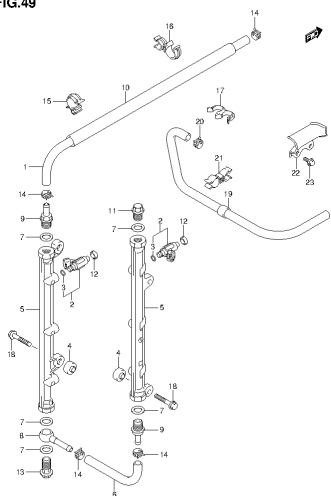
DF250 E03 012_047
FUEL INJECTOR

FIG.48



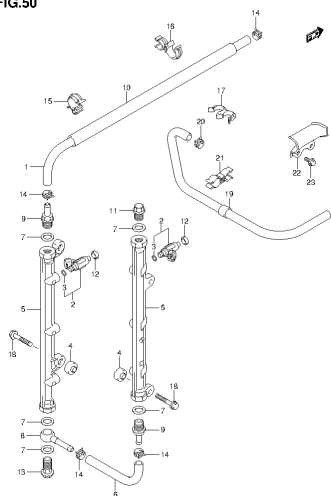
DF250 E03 012_048
FUEL INJECTOR

FIG.49



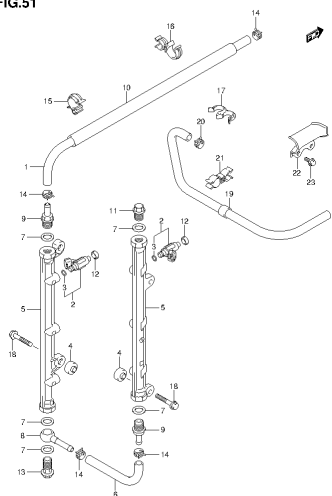
DF250 E08 012_049
FUEL INJECTOR

FIG.50



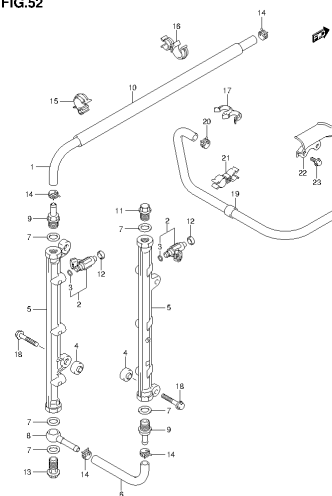
DF250 E08 012_050
FUEL INJECTOR

FIG.51



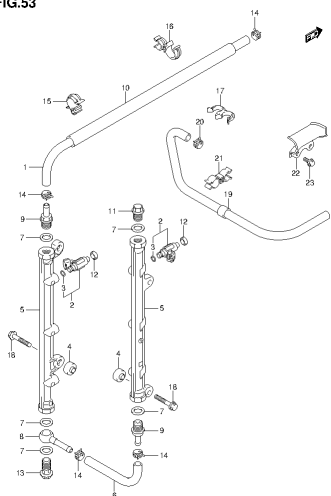
DF250 E08 012_051
FUEL INJECTOR

FIG.52



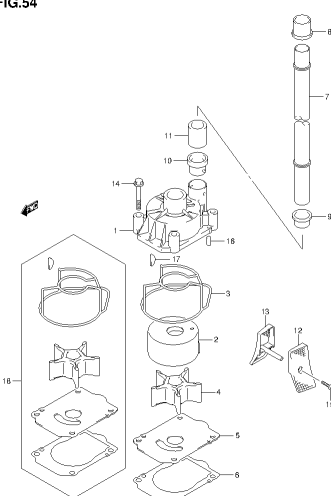
DF250 E08 012_052
FUEL INJECTOR

FIG.53



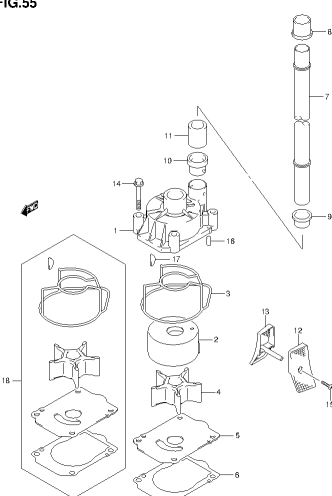
DF250 E08 012_053
FUEL INJECTOR

FIG.54



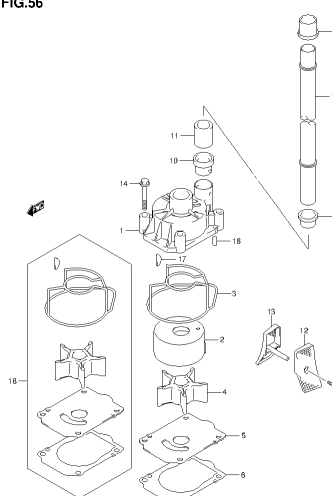
DF250 E08 012_054
WATER PUMP

FIG.55

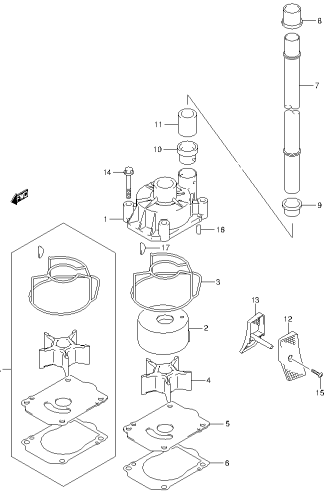


DF250 E08 012_055
WATER PUMP

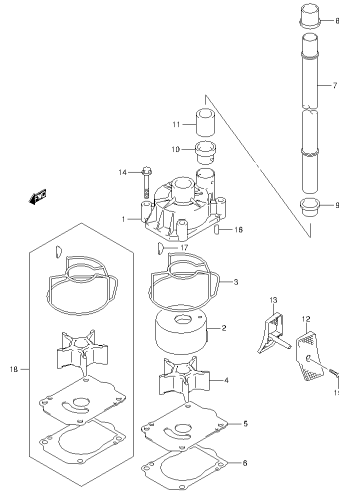
FIG.56



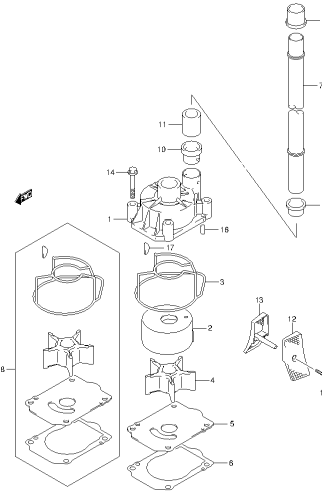
DF250 E08 012_056
WATER PUMP

FIG.57

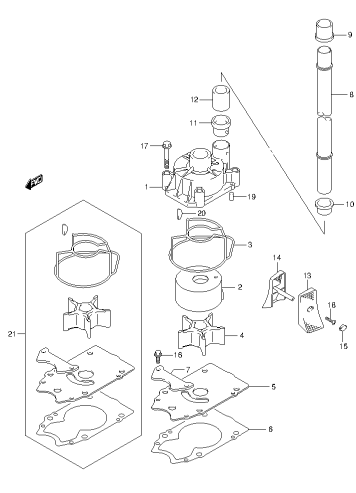
DF250 E03 012_057
WATER PUMP

FIG.58

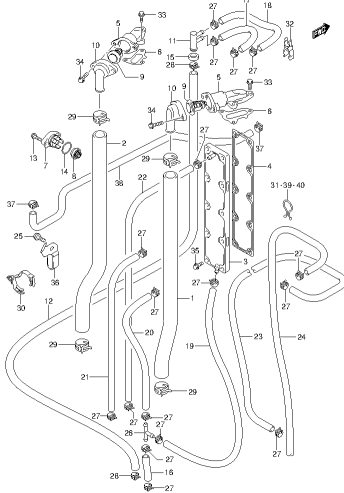
DF250 E03 012_058
WATER PUMP

FIG.59

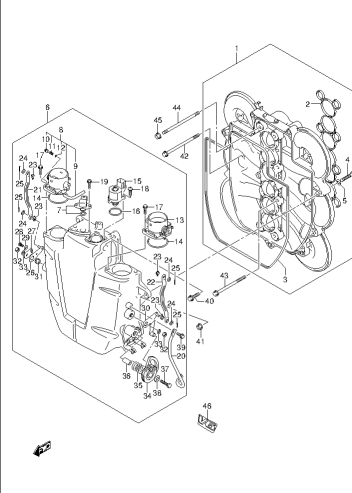
DF250 E03 012_059
WATER PUMP

FIG.60

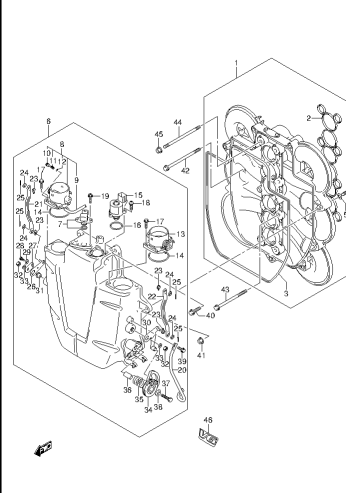
DF250 E03 012_060
WATER PUMP

FIG.61

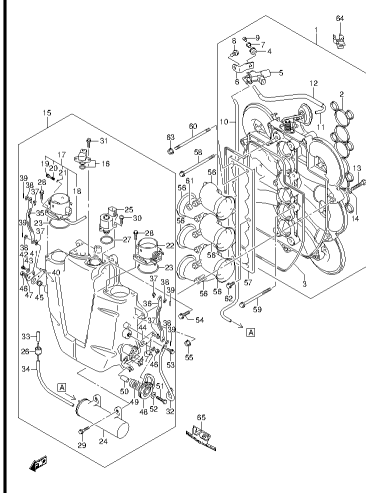
DF250 E03 012_081
THERMOSTAT

FIG.62

DF250 E03 012_082
THROTTLE BODY

FIG.63

DF250 E03 012_083
THROTTLE BODY

FIG.64

DF250 E03 012_084
THROTTLE BODY

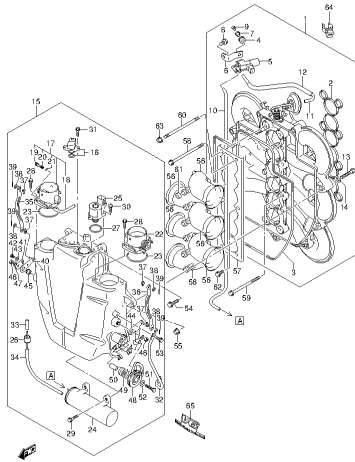
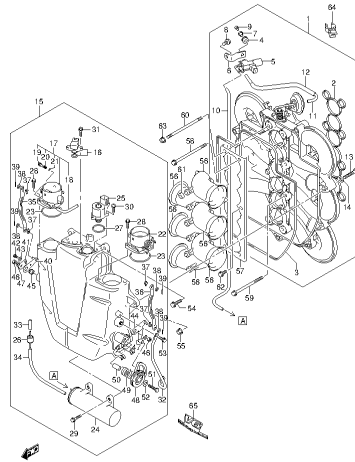
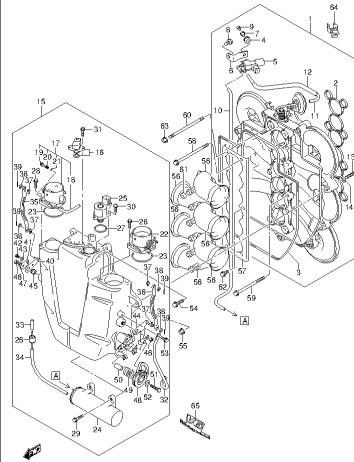
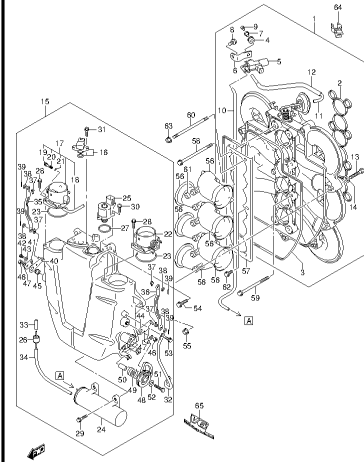
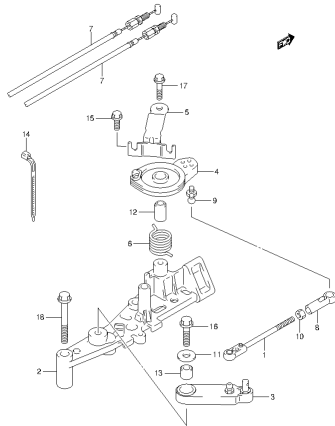
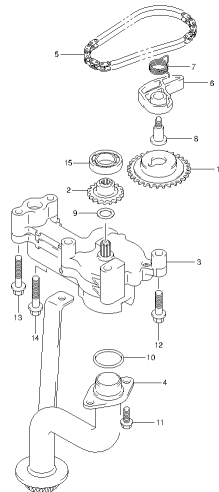
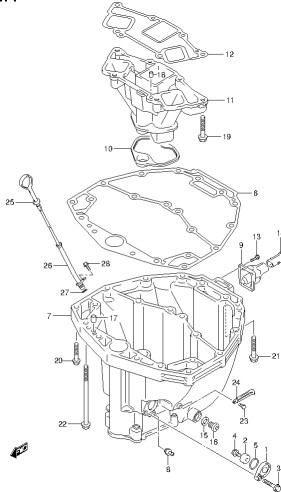
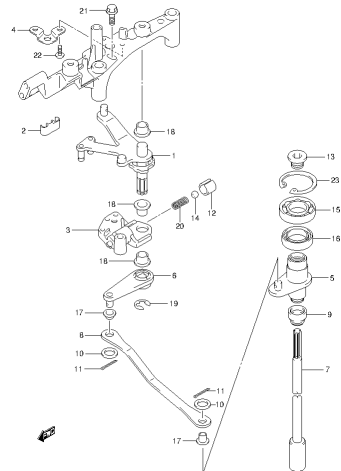
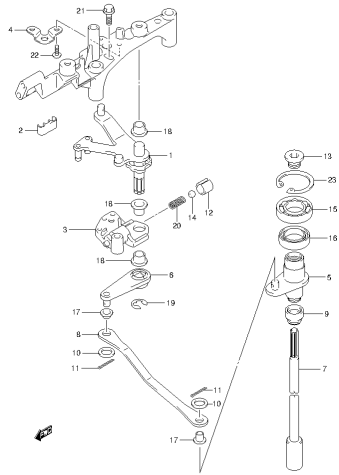
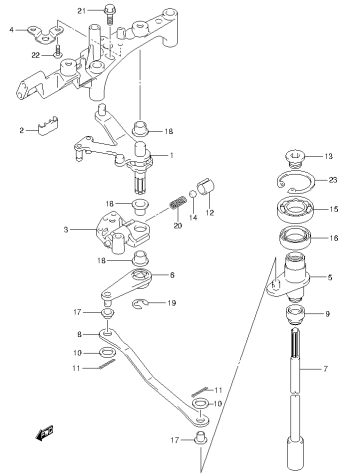
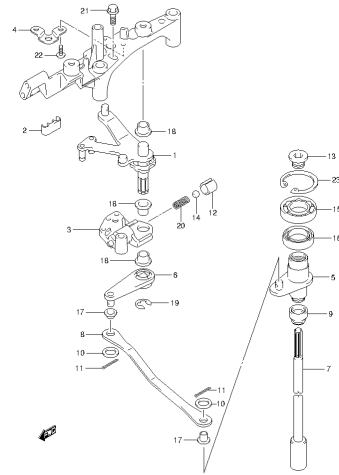
FIG.65DF250 E08 012_065
THROTTLE BODY**FIG.66**DF250 E08 012_068
THROTTLE BODY**FIG.67**DF250 E08 012_067
THROTTLE BODY**FIG.68**DF250 E08 012_068
THROTTLE BODY**FIG.69**DF250 E08 012_069
THROTTLE ROD**FIG.70**DF250 E08 012_070
OIL PUMP**FIG.71**DF250 E08 012_071
OIL PAN**FIG.72**DF250 E08 012_072
CLUTCH SHAFT

FIG.73

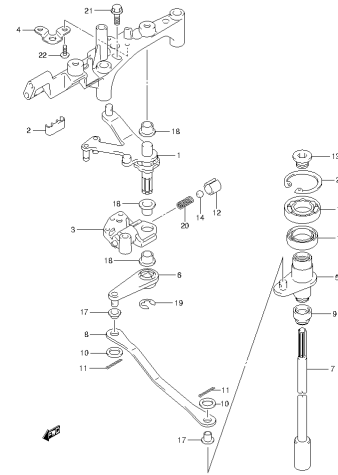
DF250 E09 012_073
CLUTCH SHAFT

FIG.74

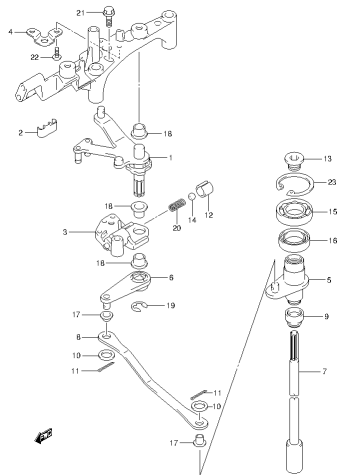
DF250 E09 012_074
CLUTCH SHAFT

FIG.75

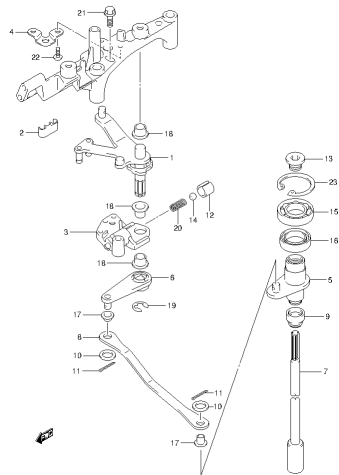
DF250 E09 012_075
CLUTCH SHAFT

FIG.76

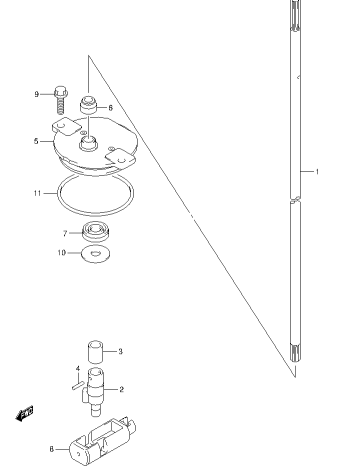
DF250 E09 012_076
CLUTCH SHAFT

FIG.77

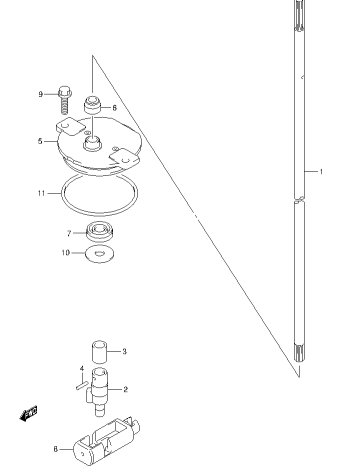
DF250 E09 012_077
CLUTCH SHAFT

FIG.78

DF250 E09 012_078
CLUTCH SHAFT

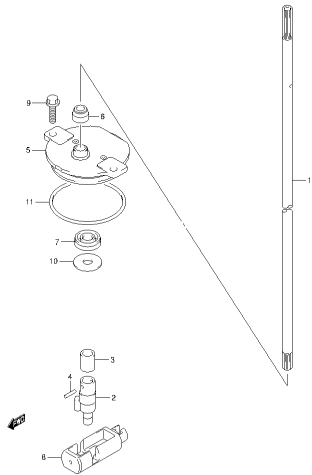
FIG.79

DF250 E09 012_079
CLUTCH RCD

FIG.80

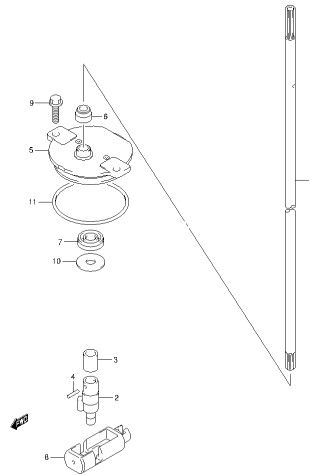
DF250 E09 012_080
CLUTCH RCD

FIG.81



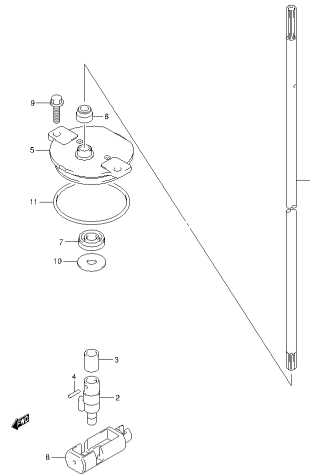
DF 250 E09 012_061
CLUTCH FORK

FIG.82



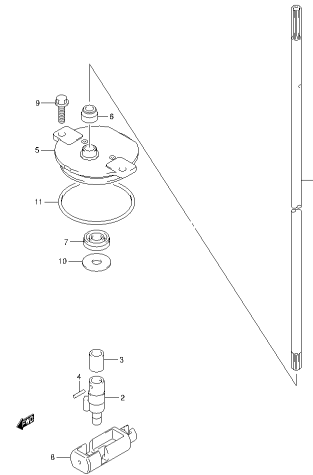
DF 250 E09 012_062
CLUTCH FORK

FIG.83



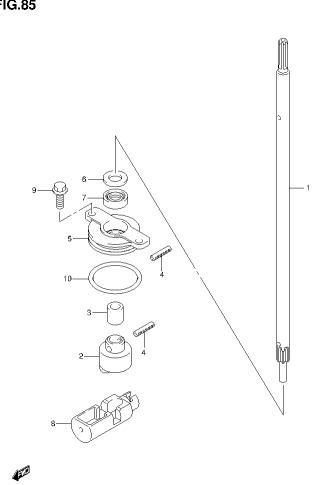
DF 250 E09 012_063
CLUTCH FORK

FIG.84



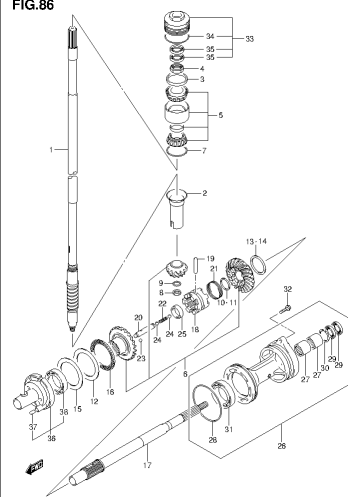
DF 250 E09 012_064
CLUTCH FORK

FIG.85



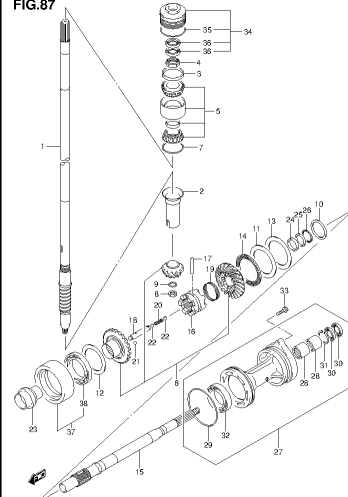
DF 250 E09 012_065
CLUTCH FORK

FIG.86



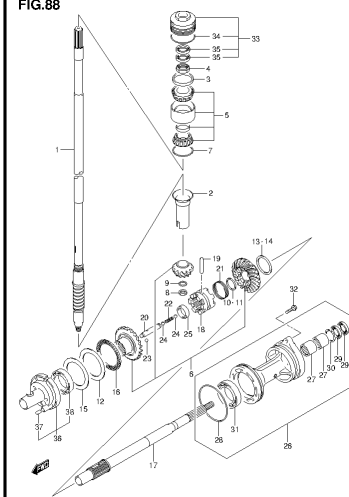
DF 250 E09 012_066
TRANSMISSION

FIG.87

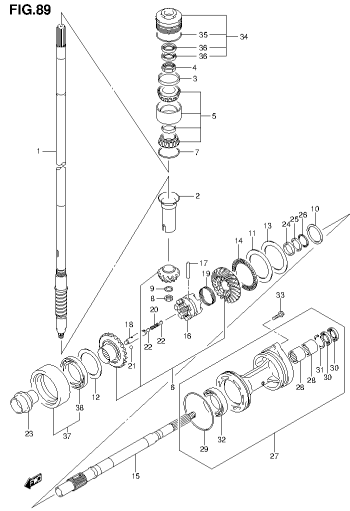


DF 250 E09 012_067
TRANSMISSION

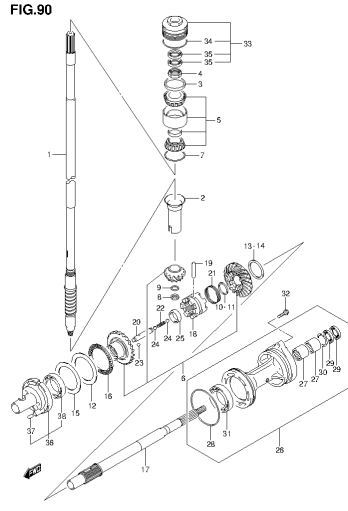
FIG.88



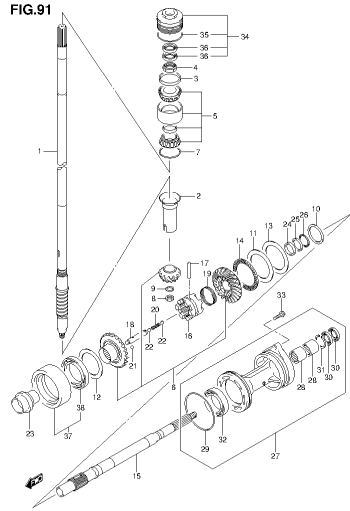
DF 250 E09 012_068
TRANSMISSION



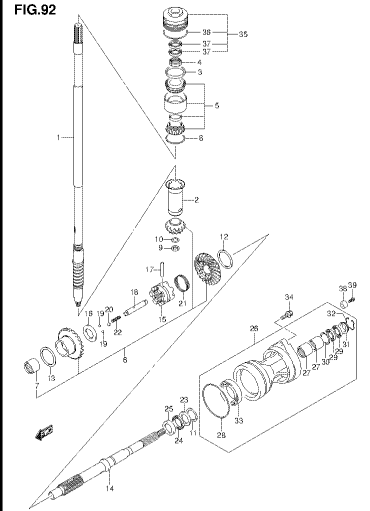
DF 250 E08 012_069
TRANSMISSION



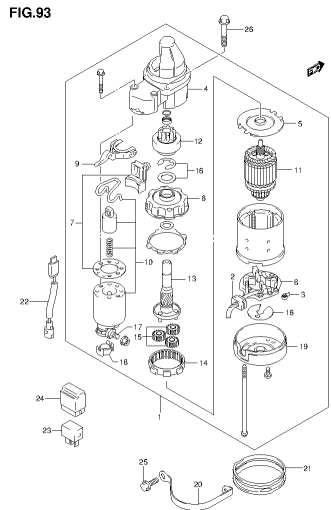
DF 250 E08 012_090
TRANSMISSION



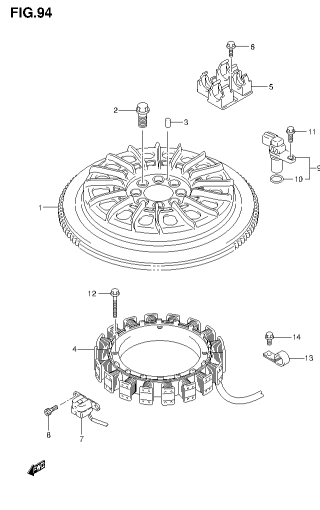
DF 250 E08 012_091
TRANSMISSION



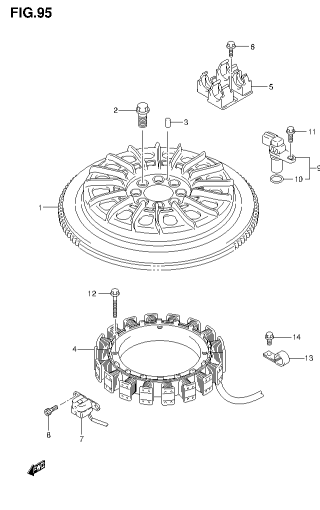
TRANSMISSION



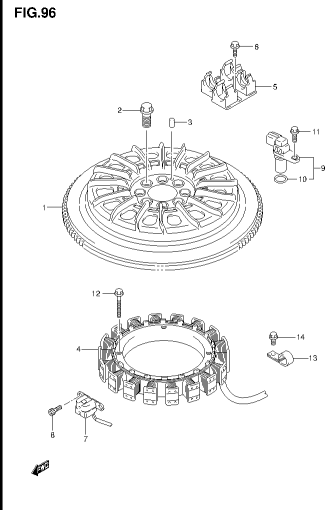
DF 250 E08 012_093
STARTING MOTOR



DF 250 E08 012_094
MAGNETO

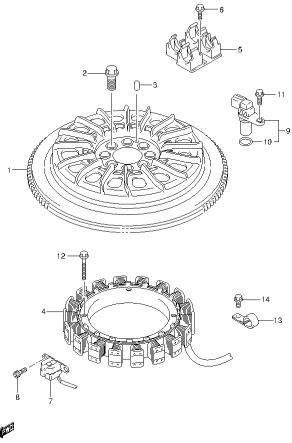


DF 250 E08 012_095
MAGNETO



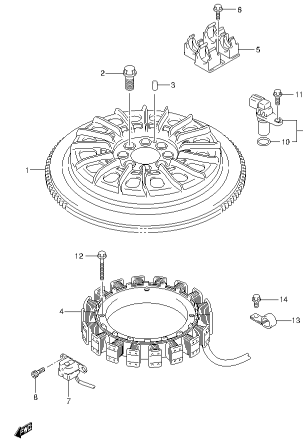
DF 250 E08 012_096
MAGNETO

FIG.97



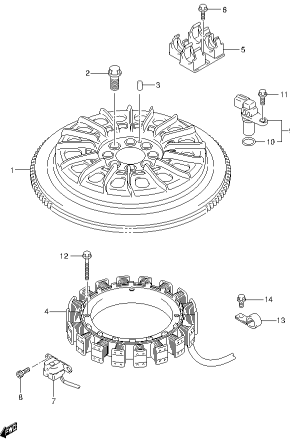
DF 250 E05 012_097
MAGNETO

FIG.98



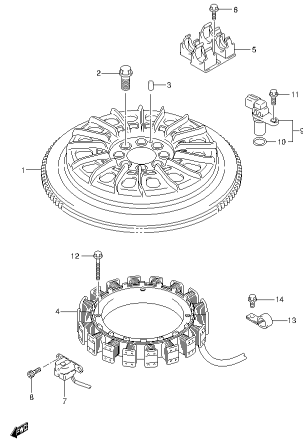
DF 250 E05 012_098
MAGNETO

FIG.99



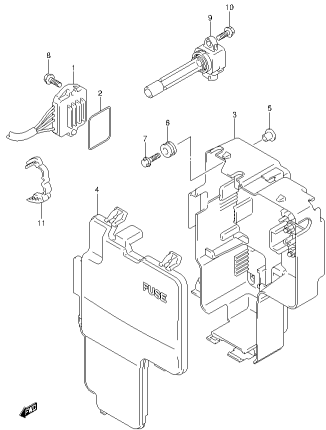
DF 250 E05 012_099
MAGNETO

FIG.100



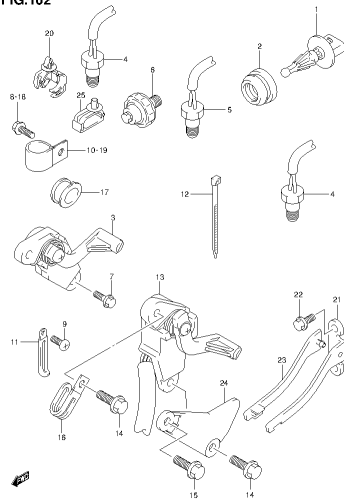
DF 250 E05 012_100
MAGNETO

FIG.101



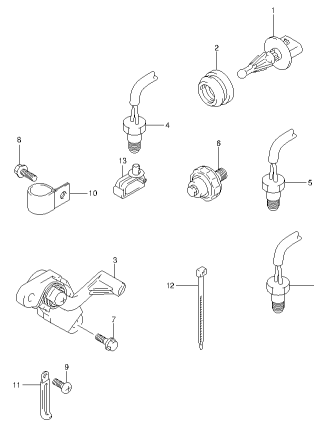
DF 250 E08 012_101
RECTIFIER/IGNITION COIL

FIG.102



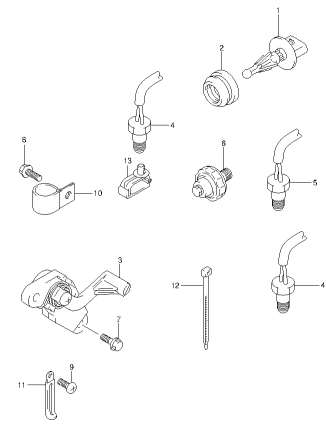
DF 250 E08 012_102
SENSOR

FIG.103



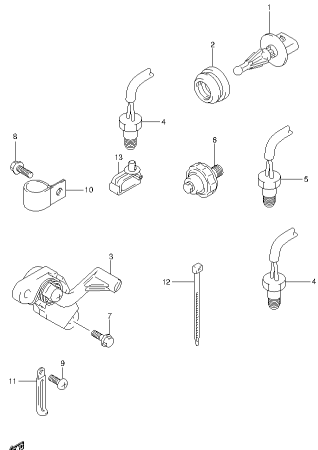
DF 250 E08 012_103
SENSOR

FIG.104



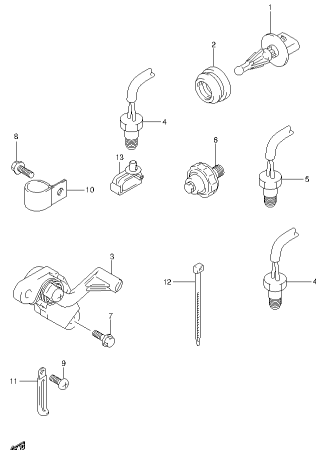
DF 250 E08 012_104
SENSOR

FIG.105



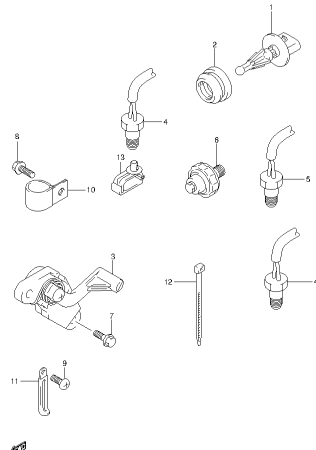
DF250 E09 012_105
SENSOR

FIG.106



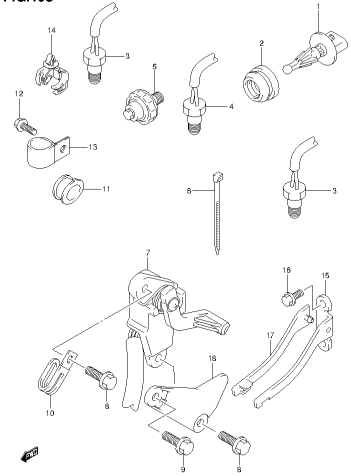
DF250 E09 012_106
SENSOR

FIG.107



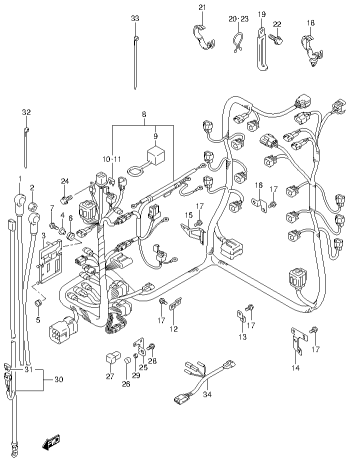
DF250 E09 012_107
SENSOR

FIG.108



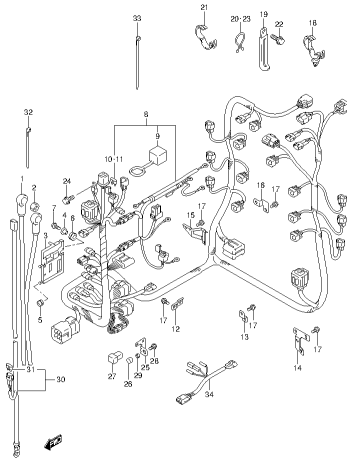
DF250 E09 012_108
SENSOR

FIG.109



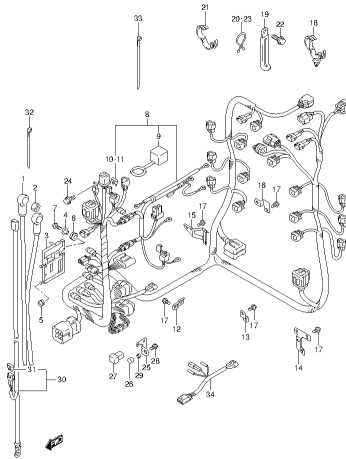
DF250 E09 012_109
HARNESS

FIG.110



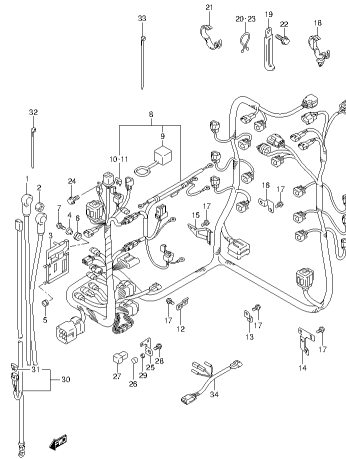
DF250 E09 012_110
HARNESS

FIG.111



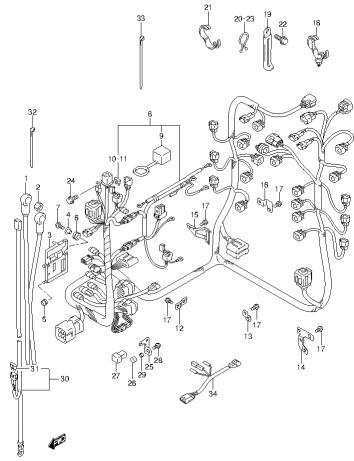
DF250 E09 012_111
HARNESS

FIG.112



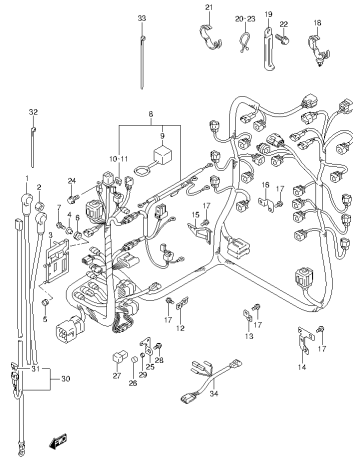
DF250 E09 012_112
HARNESS

FIG.113



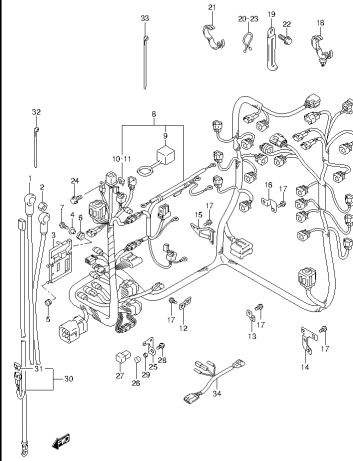
DF250 E09 012_113
HARNESS

FIG.114



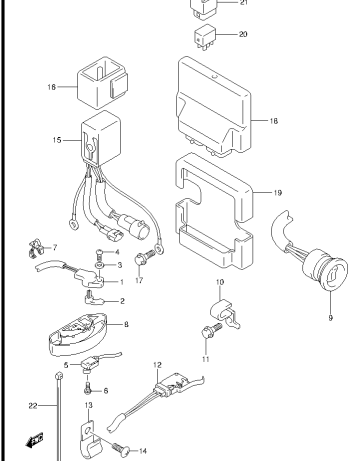
DF250 E09 012_114
HARNESS

FIG.115



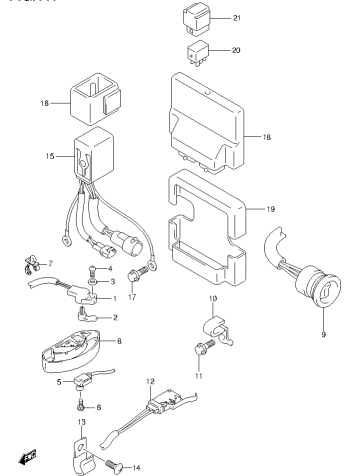
DF250 E09 012_115
HARNESS

FIG.116



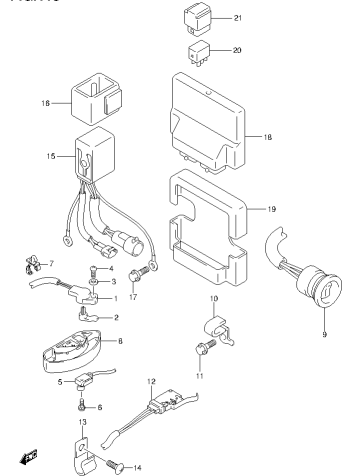
DF250 E09 012_116
PTT SWITCHENGINE CONTROL UNIT

FIG.117



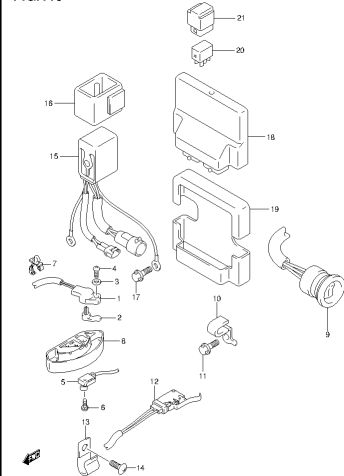
DF250 E09 012_117
PTT SWITCHENGINE CONTROL UNIT

FIG.118



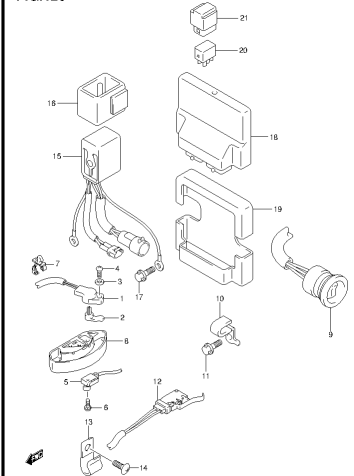
DF250 E09 012_118
PTT SWITCHENGINE CONTROL UNIT

FIG.119



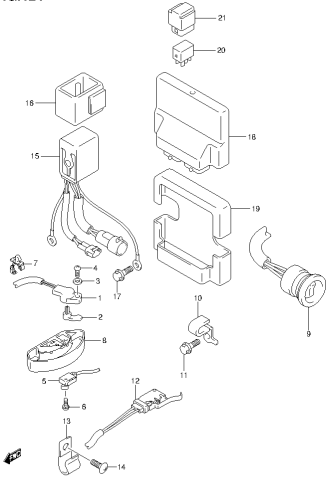
DF250 E09 012_119
PTT SWITCHENGINE CONTROL UNIT

FIG.120



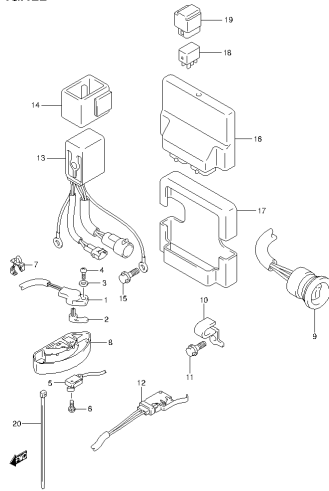
DF250 E09 012_120
PTT SWITCHENGINE CONTROL UNIT

FIG.121



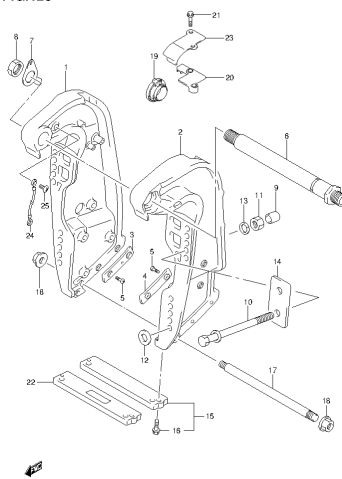
DF250 E09 012_121
PTT SWITCHENGINE CONTROL UNIT

FIG.122



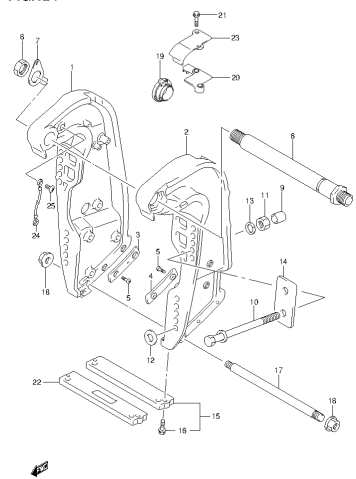
DF250 E09 012_122
PTT SWITCHENGINE CONTROL UNIT

FIG.123



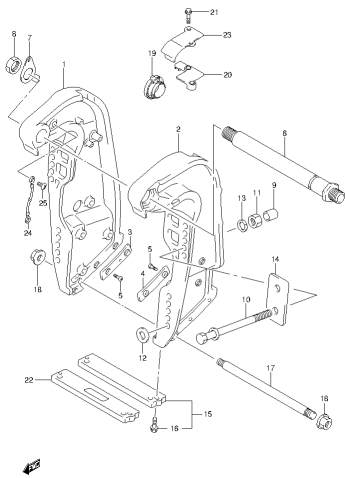
DF250 E09 012_123
CLAMP BRACKET

FIG.124



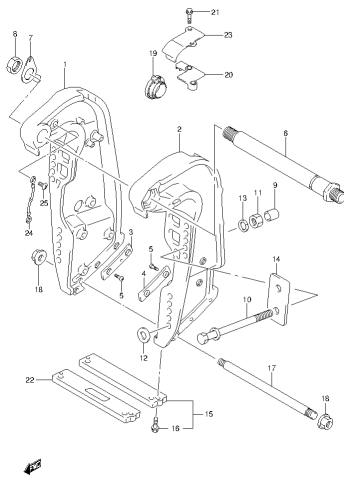
DF250 E09 012_124
CLAMP BRACKET

FIG.125



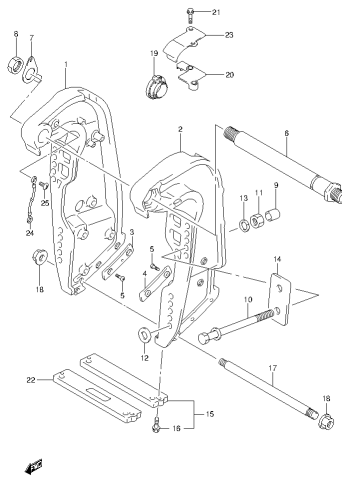
DF250 E09 012_125
CLAMP BRACKET

FIG.126



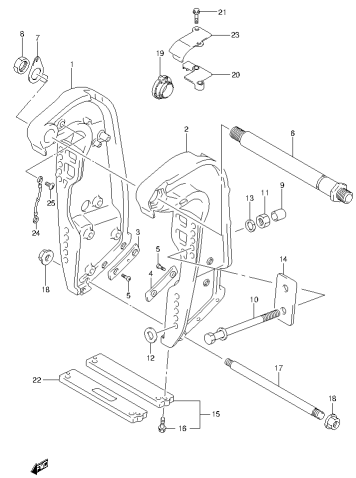
DF250 E09 012_126
CLAMP BRACKET

FIG.127



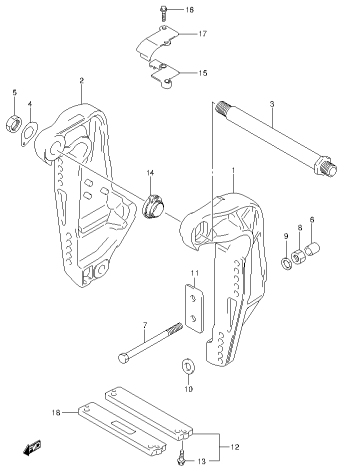
DF250 E09 012_127
CLAMP BRACKET

FIG.128



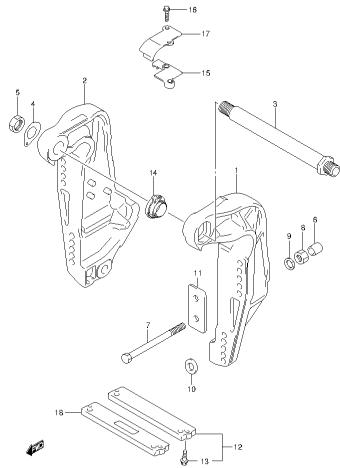
DF250 E09 012_128
CLAMP BRACKET

FIG.129



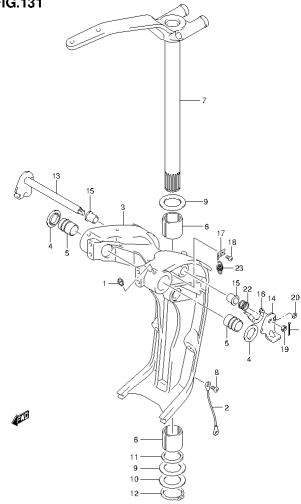
DF250 E08 012_129
CLAMP BRACKET

FIG.130



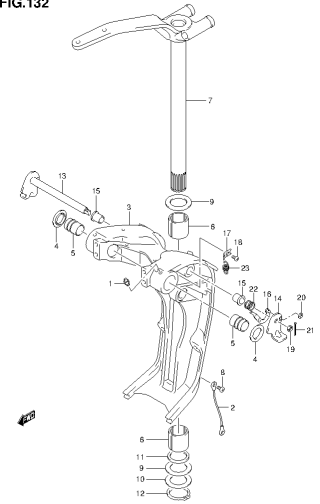
DF250 E08 012_130
CLAMP BRACKET

FIG.131



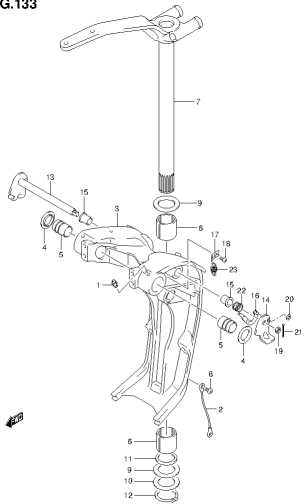
DF250 E08 012_131
SWIVEL BRACKET

FIG.132



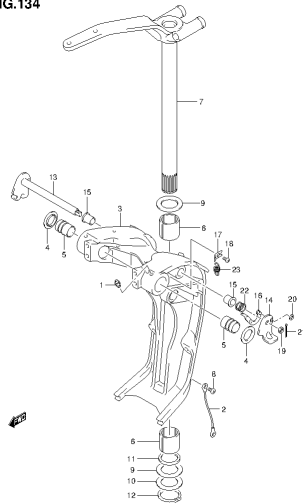
DF250 E08 012_132
SWIVEL BRACKET

FIG.133



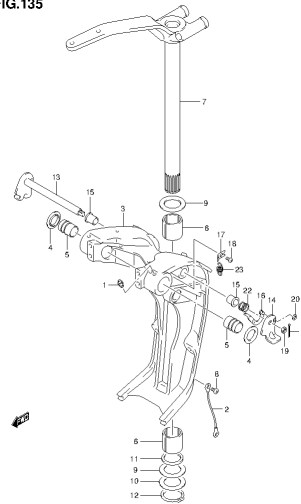
DF250 E08 012_133
SWIVEL BRACKET

FIG.134



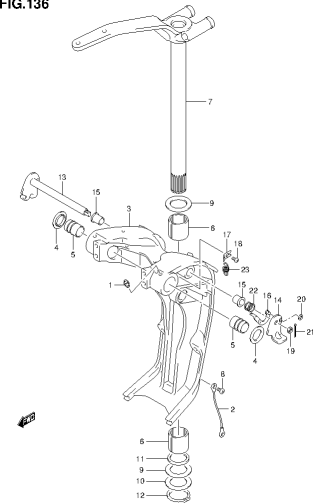
DF250 E08 012_134
SWIVEL BRACKET

FIG.135



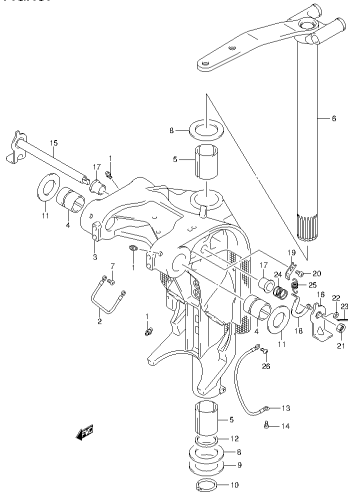
DF250 E08 012_135
SWIVEL BRACKET

FIG.136



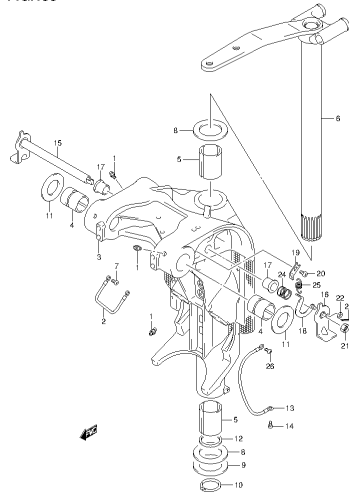
DF250 E08 012_136
SWIVEL BRACKET

FIG.137



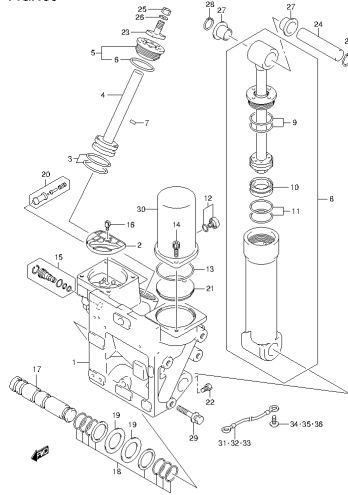
DF250 E08 012_137
SWIVEL BRACKET

FIG.138



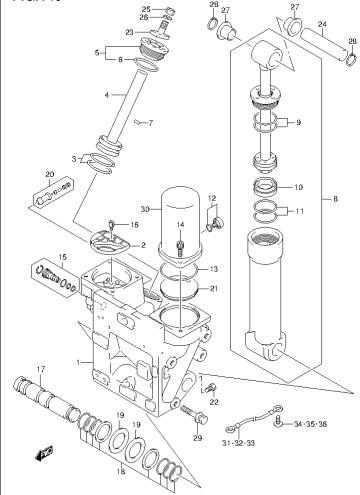
DF250 E08 012_138
SWIVEL BRACKET

FIG.139



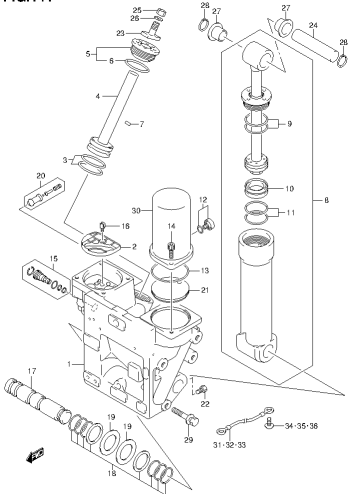
DF250 E08 012_139
TRIM CYLINDER

FIG.140



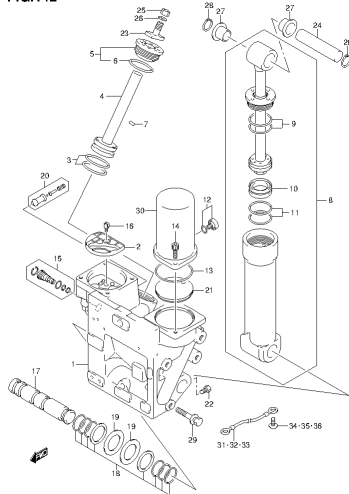
DF250 E08 012_140
TRIM CYLINDER

FIG.141



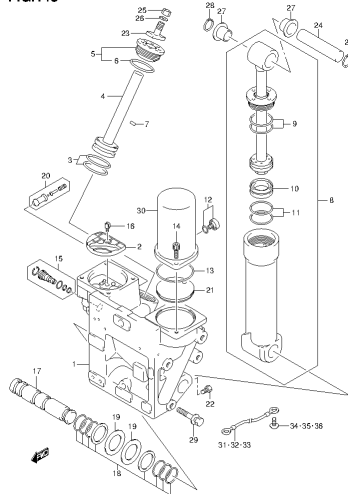
DF250 E08 012_141
TRIM CYLINDER

FIG.142



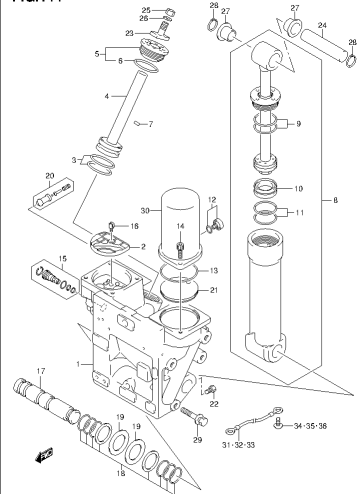
DF250 E08 012_142
TRIM CYLINDER

FIG.143



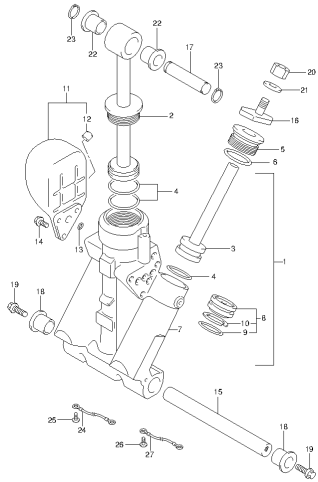
DF250 E08 012_143
TRIM CYLINDER

FIG.144



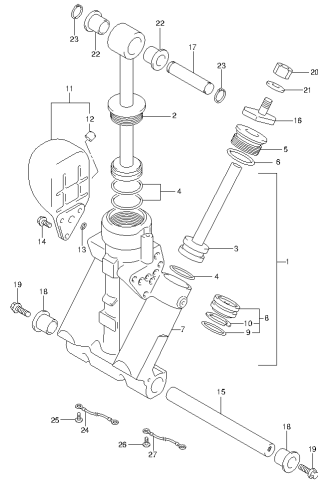
DF250 E08 012_144
TRIM CYLINDER

FIG.145



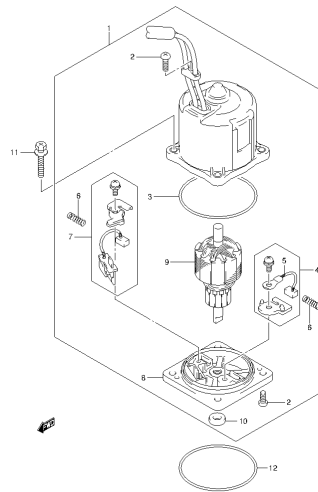
DF250 E09 012_145
TRIM CYLINDER

FIG.146



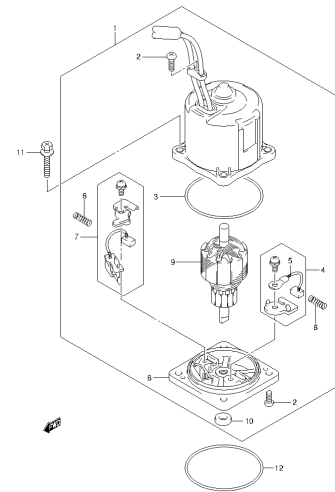
DF250 E09 012_146
TRIM CYLINDER

FIG.147



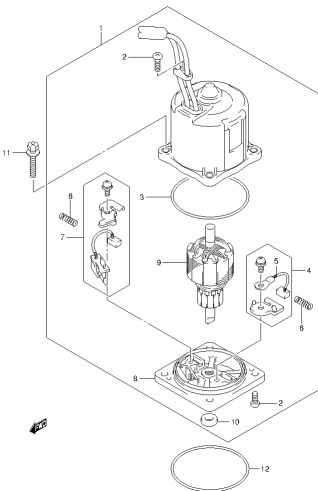
DF250 E09 012_147
PTT MOTOR

FIG.148



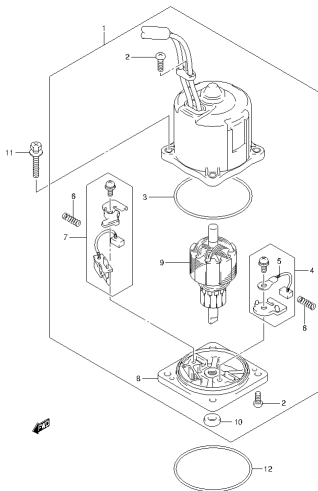
DF250 E09 012_148
PTT MOTOR

FIG.149



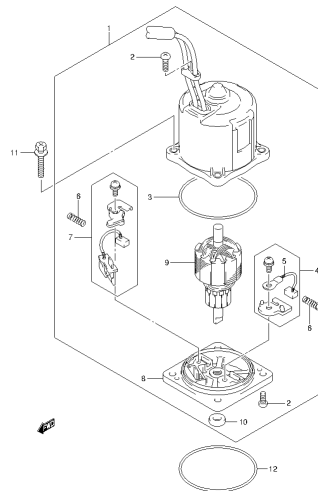
DF250 E09 012_149
PTT MOTOR

FIG.150



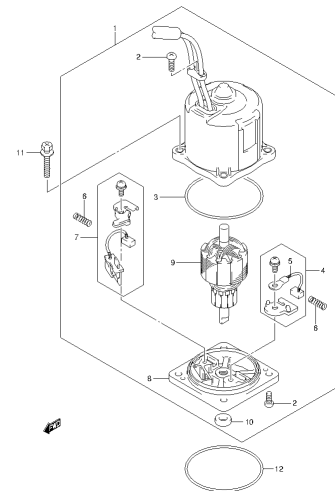
DF250 E09 012_150
PTT MOTOR

FIG.151



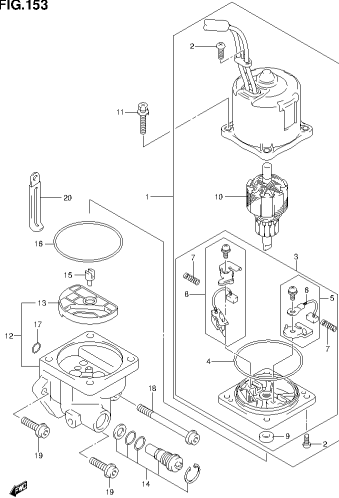
DF250 E09 012_151
PTT MOTOR

FIG.152



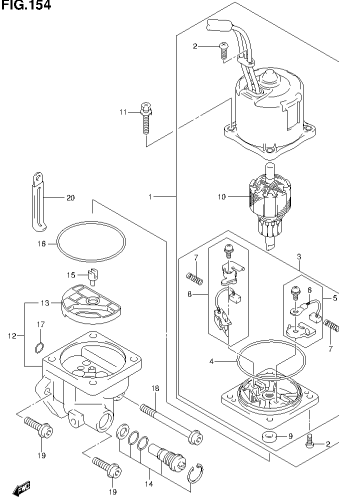
DF250 E09 012_152
PTT MOTOR

FIG.153



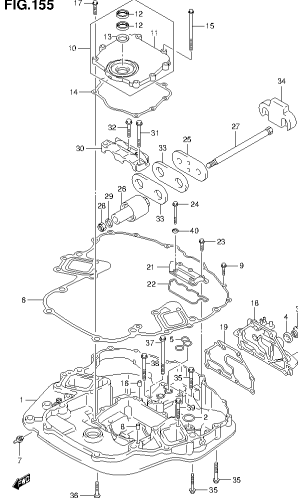
DF 250 E08 012_153
PTT MOTOR

FIG.154



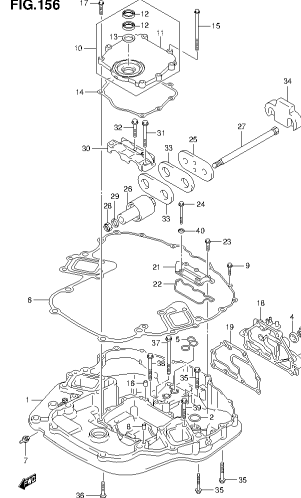
DF 250 E08 012_154
PTT MOTOR

FIG.155



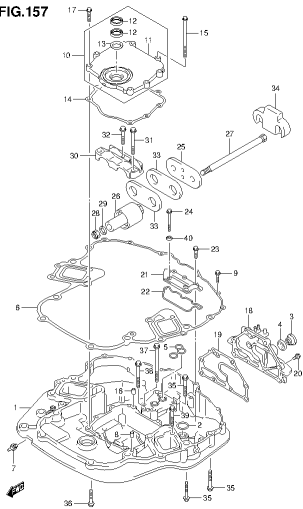
DF 250 E08 012_155
ENGINE HOLDER

FIG.156



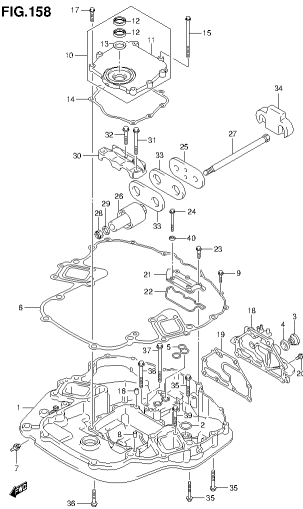
DF 250 E08 012_156
ENGINE HOLDER

FIG.157



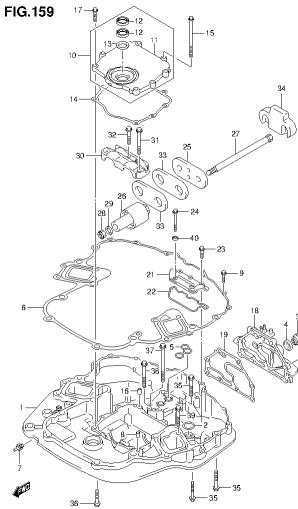
DF 250 E08 012_157
ENGINE HOLDER

FIG.158



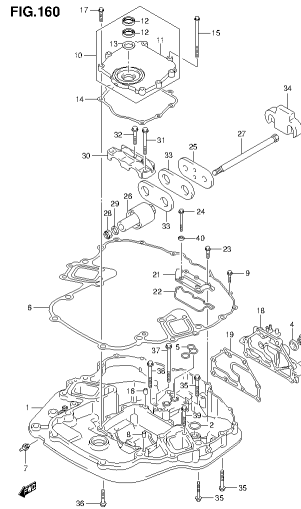
DF 250 E08 012_158
ENGINE HOLDER

FIG.159



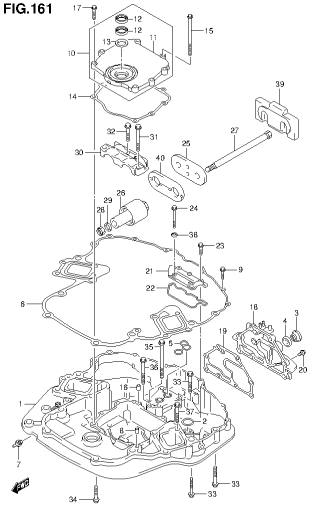
DF 250 E08 012_159
ENGINE HOLDER

FIG.160



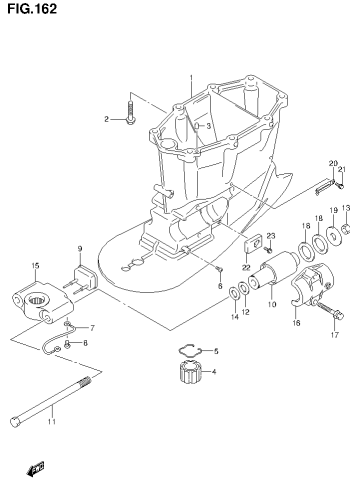
DF 250 E08 012_160
ENGINE HOLDER

FIG.161



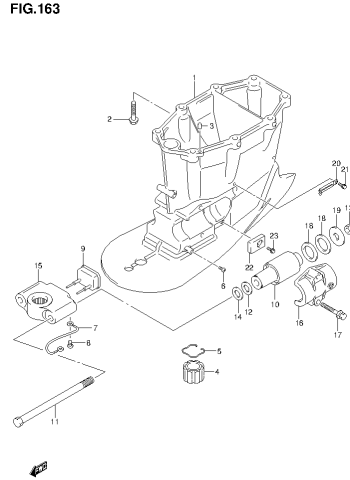
DF250 E09 012_161
ENGINE HOLDER

FIG.162



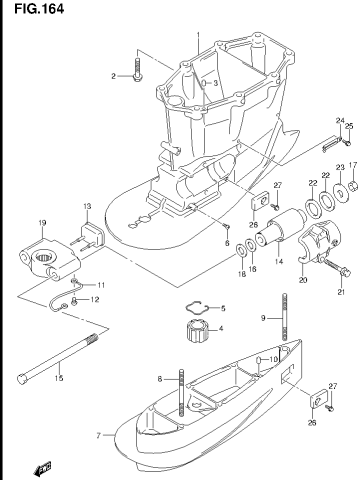
DF250 E09 012_162
DRIVE SHAFT HOUSING

FIG.163



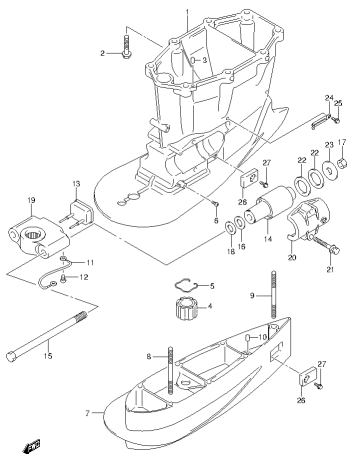
DF250 E09 012_163
DRIVE SHAFT HOUSING

FIG.164



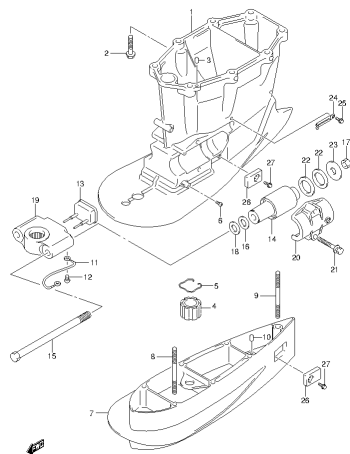
DF250 E09 012_164
DRIVE SHAFT HOUSING

FIG.165



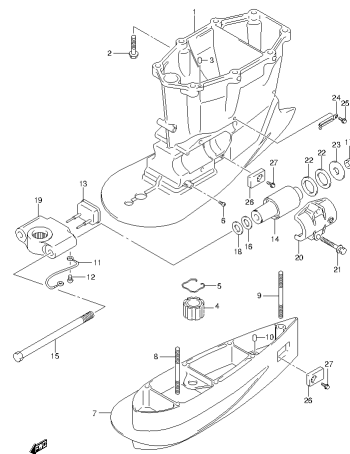
DF250 E09 012_165
DRIVE SHAFT HOUSING

FIG.166



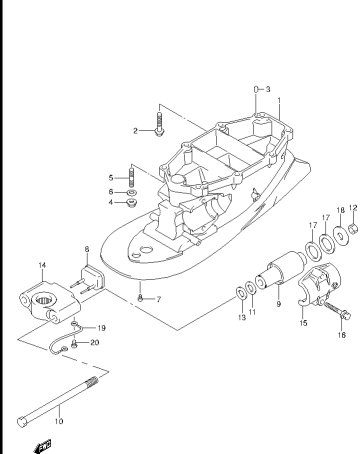
DF250 E09 012_166
DRIVE SHAFT HOUSING

FIG.167



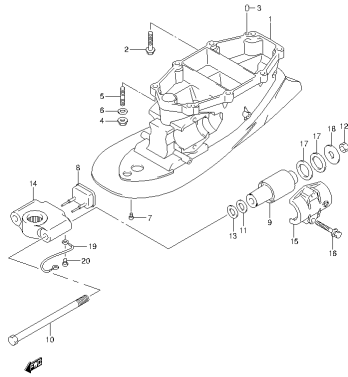
DF250 E09 012_167
DRIVE SHAFT HOUSING

FIG.168



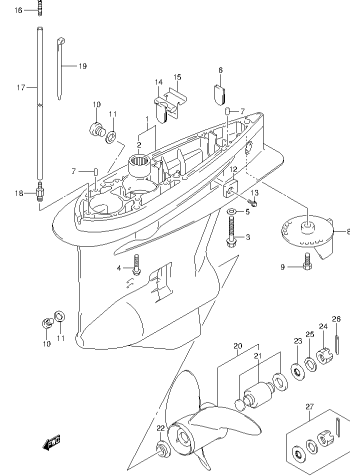
DF250 E09 012_168
DRIVE SHAFT HOUSING

FIG.169



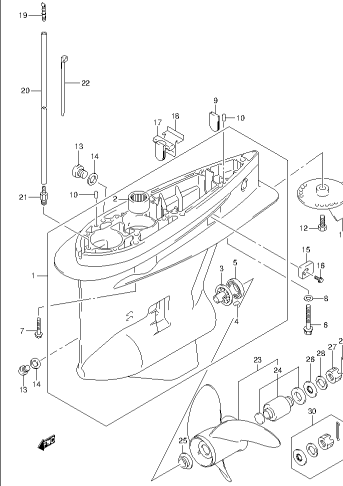
DF250 E08 012_169
DRIVE SHAFT HOUSING

FIG.170



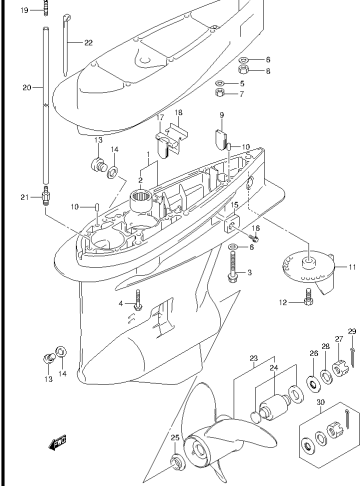
DF250 E08 012_170
GEAR CASE

FIG.171



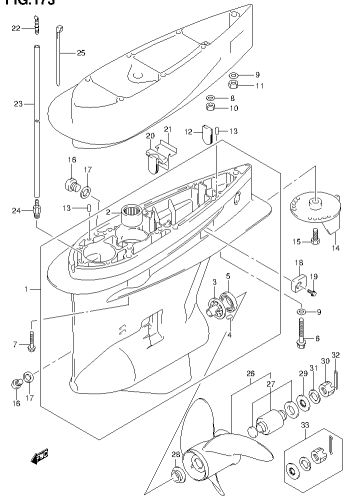
DF250 E08 012_171
GEAR CASE

FIG.172



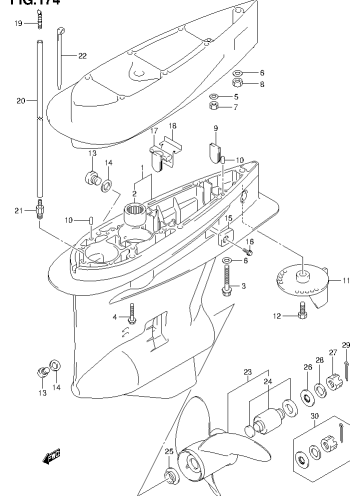
DF250 E08 012_172
GEAR CASE

FIG.173



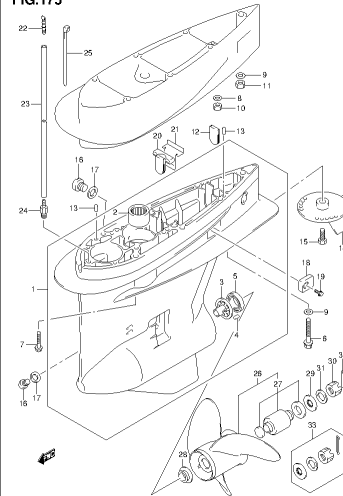
DF250 E08 012_173
GEAR CASE

FIG.174



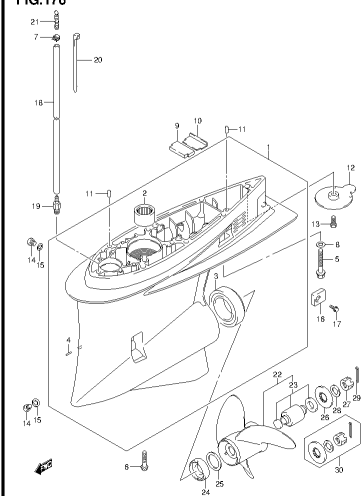
DF250 E08 012_174
GEAR CASE

FIG.175



DF250 E08 012_175
GEAR CASE

FIG.176



DF250 E08 012_176
GEAR CASE

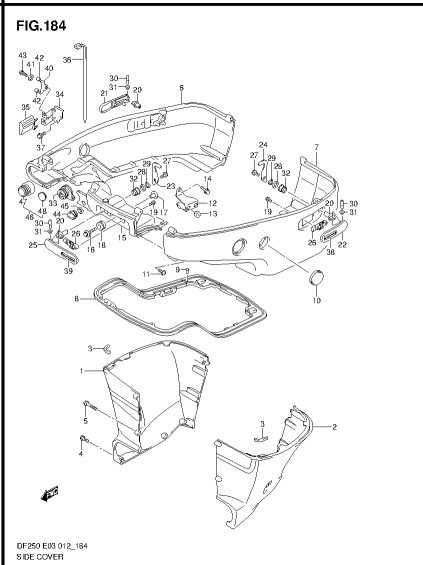
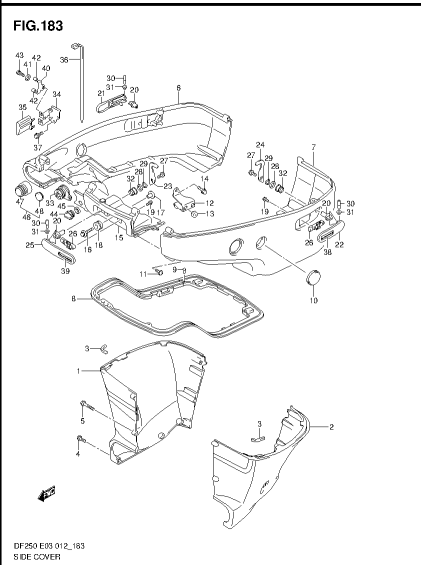
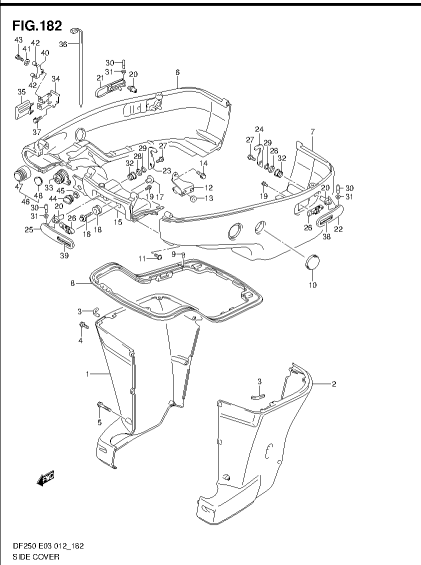
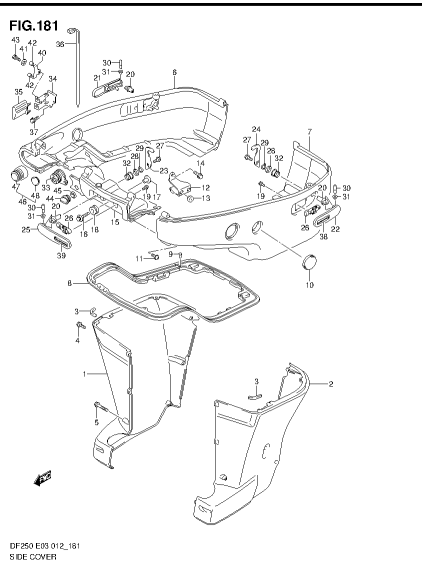
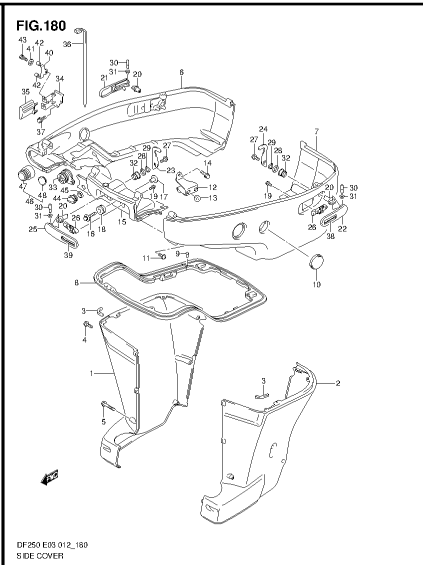
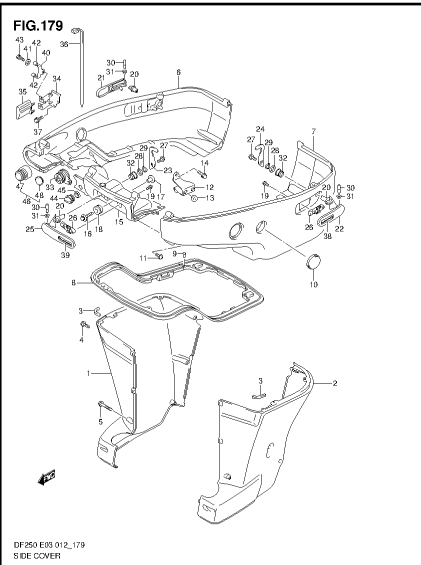
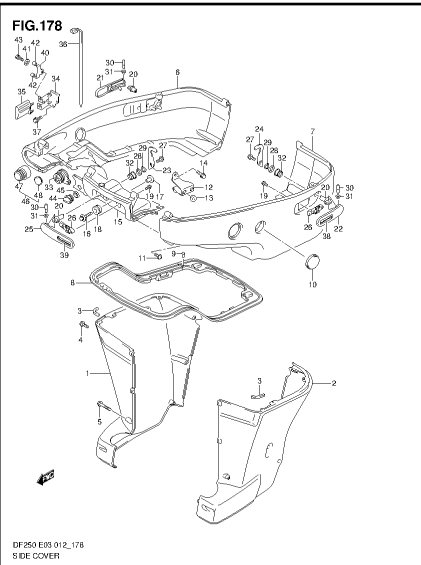
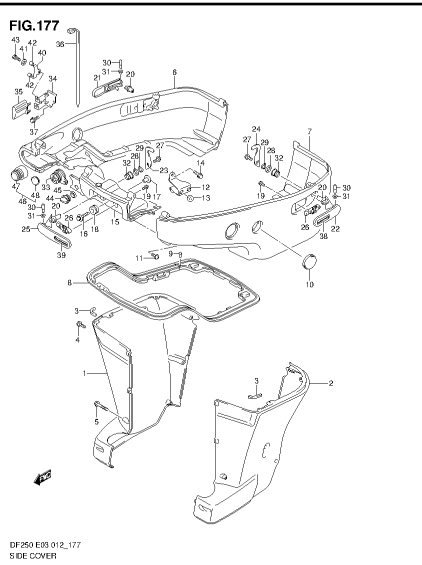
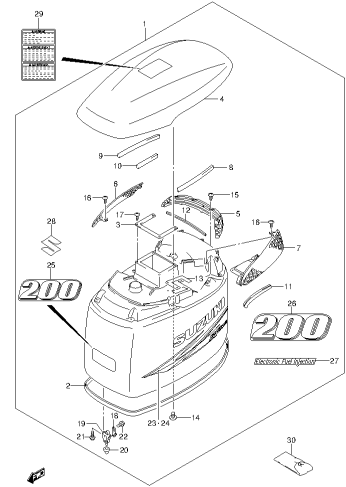
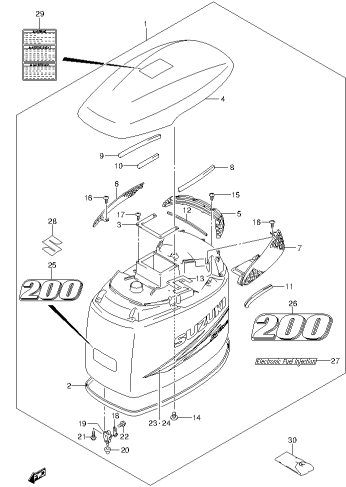


FIG.185



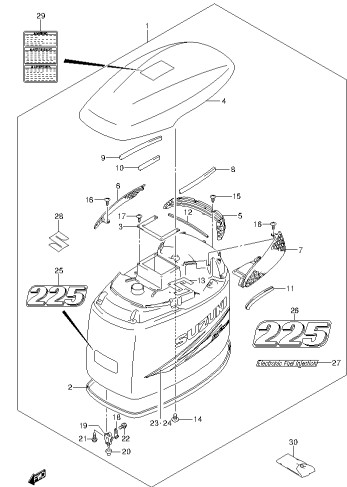
DF250 E03 012_185
ENGINE COVER

FIG.186



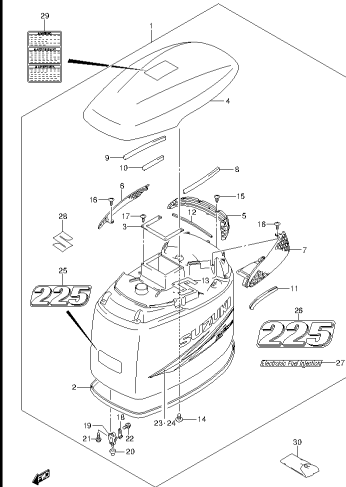
DF250 E03 012_186
ENGINE COVER

FIG.187



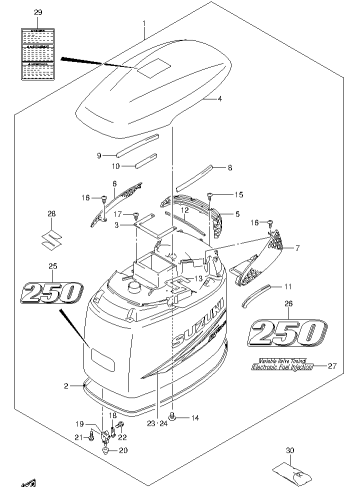
DF250 E03 012_187
ENGINE COVER

FIG.188



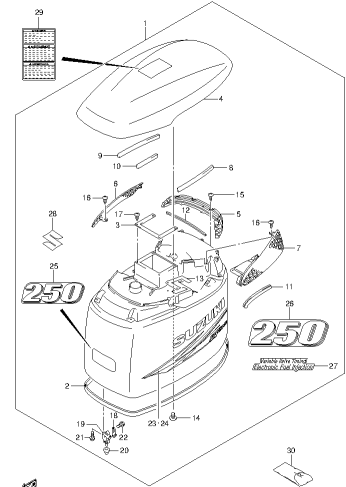
DF250 E03 012_188
ENGINE COVER

FIG.189



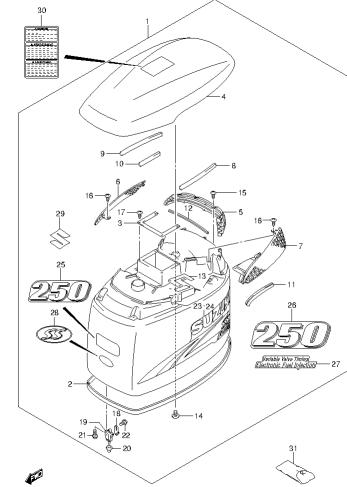
DF250 E03 012_189
ENGINE COVER

FIG.190



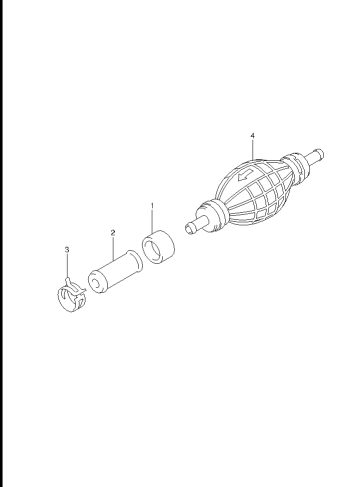
DF250 E03 012_190
ENGINE COVER

FIG.191



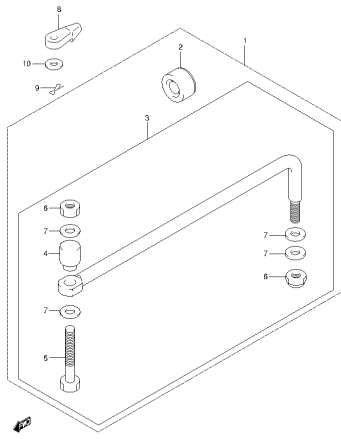
DF250 E03 012_191
ENGINE COVER

FIG.192



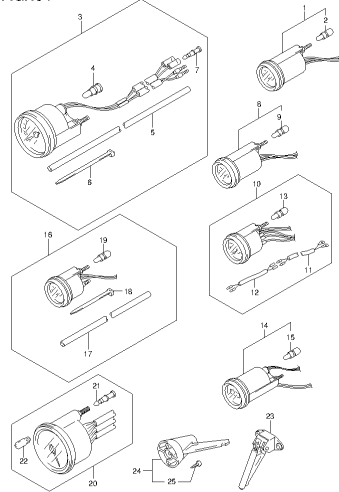
DF250 E03 012_192
FUEL HOSE

FIG.193



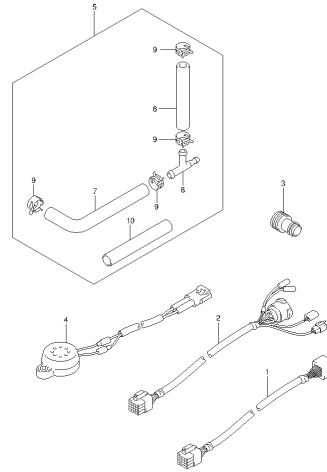
DF250 E08 012_193
DRAG LINK

FIG.194



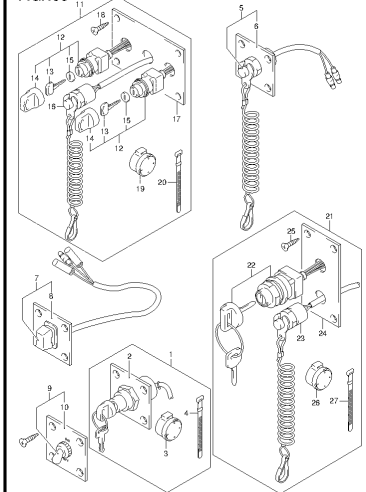
DF250 E08 012_194
OFT.METER

FIG.195



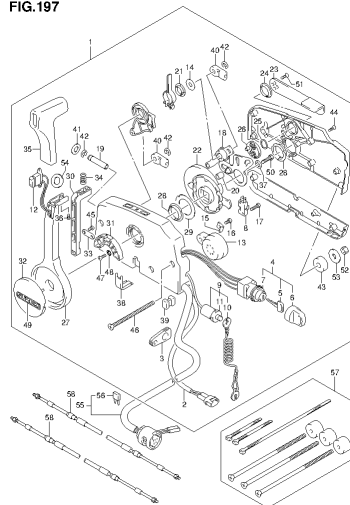
DF250 E08 012_195
OFT.HARNES

FIG.196



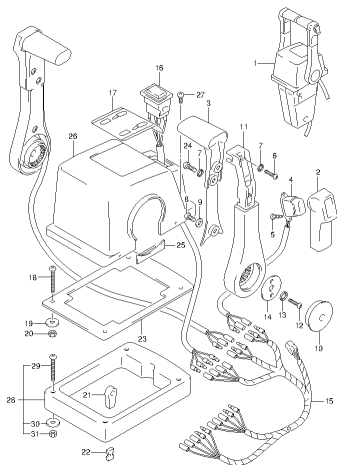
DF250 E08 012_196
OFT.SWITCH

FIG.197



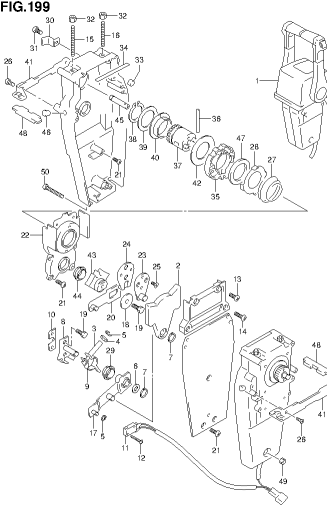
DF250 E08 012_197
OFT.REMOTE CONTROL

FIG.198



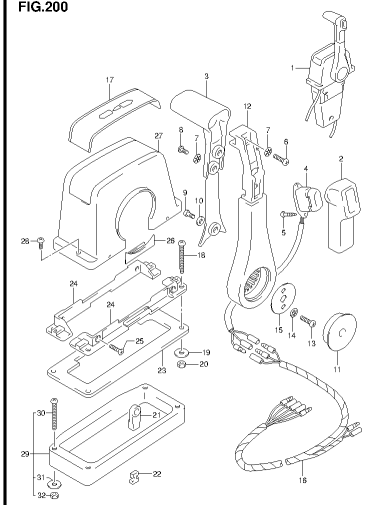
DF250 E08 012_198
OFT.REMOTE CONTROL ASSY DUAL (1)

FIG.199



DF250 E08 012_199
OFT.REMOTE CONTROL ASSY DUAL (2)

FIG.200



DF250 E08 012_200
OFT.REMOTE CONTROL ASSY SINGLE (1)

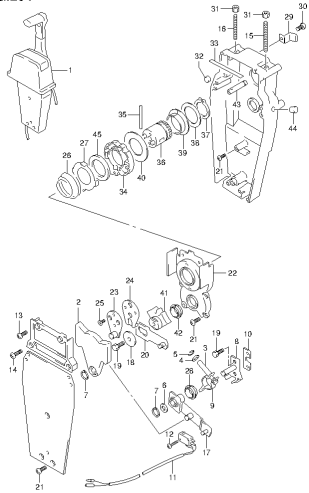
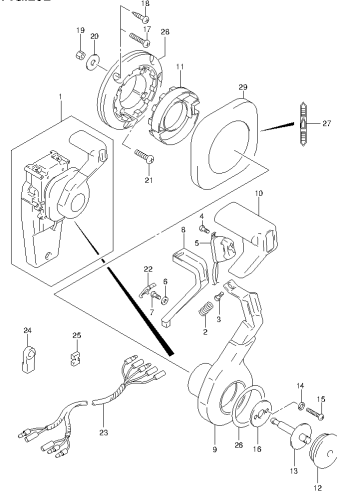
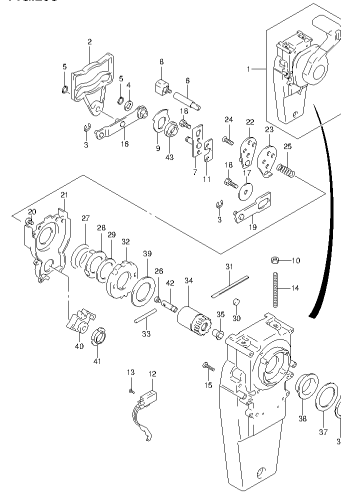
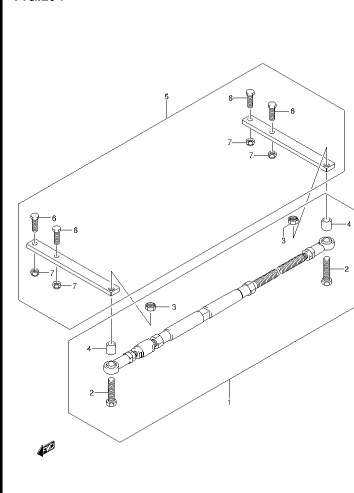
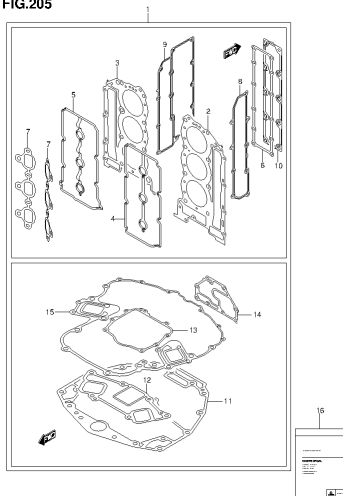
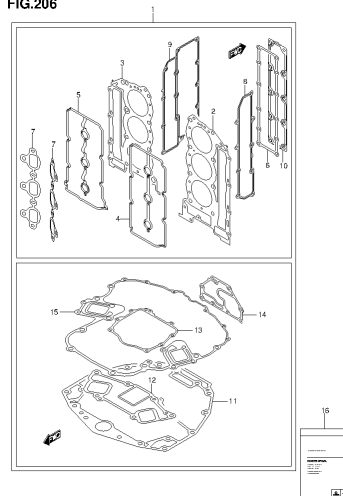
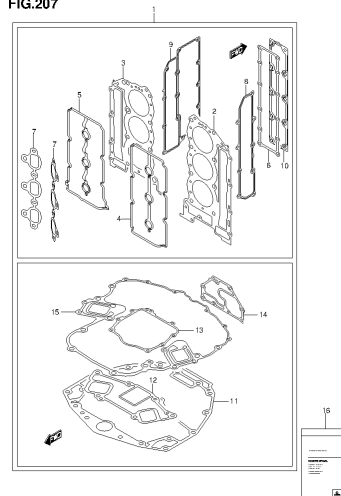
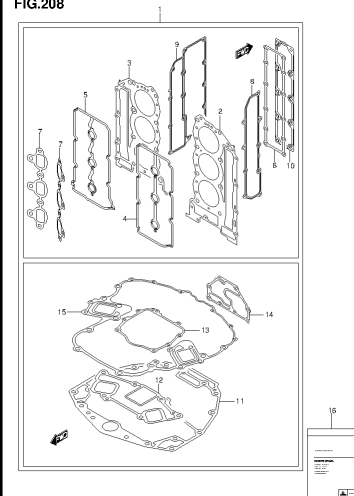
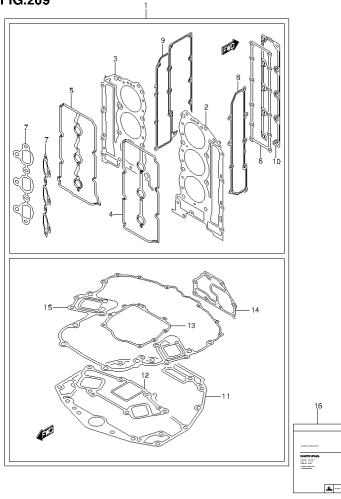
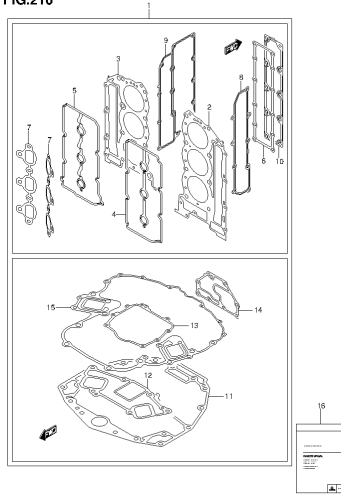
FIG.201DF250 E08 012_201
OPT.REMOTE CONTROL ASSY SINGLE (2)**FIG.202**DF250 E08 012_202
OPT.CONCEALED REMOCON (1)**FIG.203**DF250 E08 012_203
OPT.CONCEALED REMOCON (2)**FIG.204**DF250 E08 012_204
OPT.TIE ROD**FIG.205**DF250 E08 012_205
OPT.GASKET SET**FIG.206**DF250 E08 012_206
OPT.GASKET SET**FIG.207**DF250 E08 012_207
OPT.GASKET SET**FIG.208**DF250 E08 012_208
OPT.GASKET SET

FIG.209



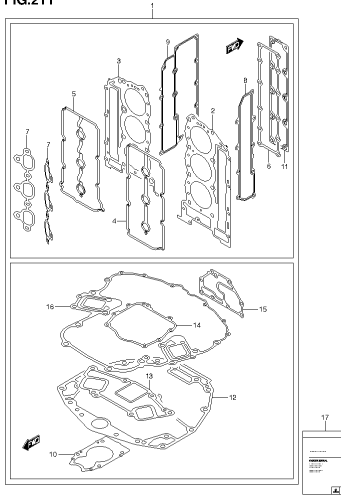
DF250 E86 012_209
O/FI GARNET SET

FIG.210



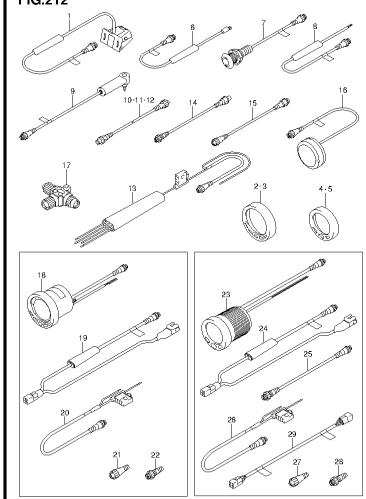
DF250 E86 012_210
O/FI GARNET SET

FIG.211



DF250 E86 012_211
O/FI GARNET SET

FIG.212



DF250 E86 012_212
O/FI LOWFRANCE GAUGE

FIG.1

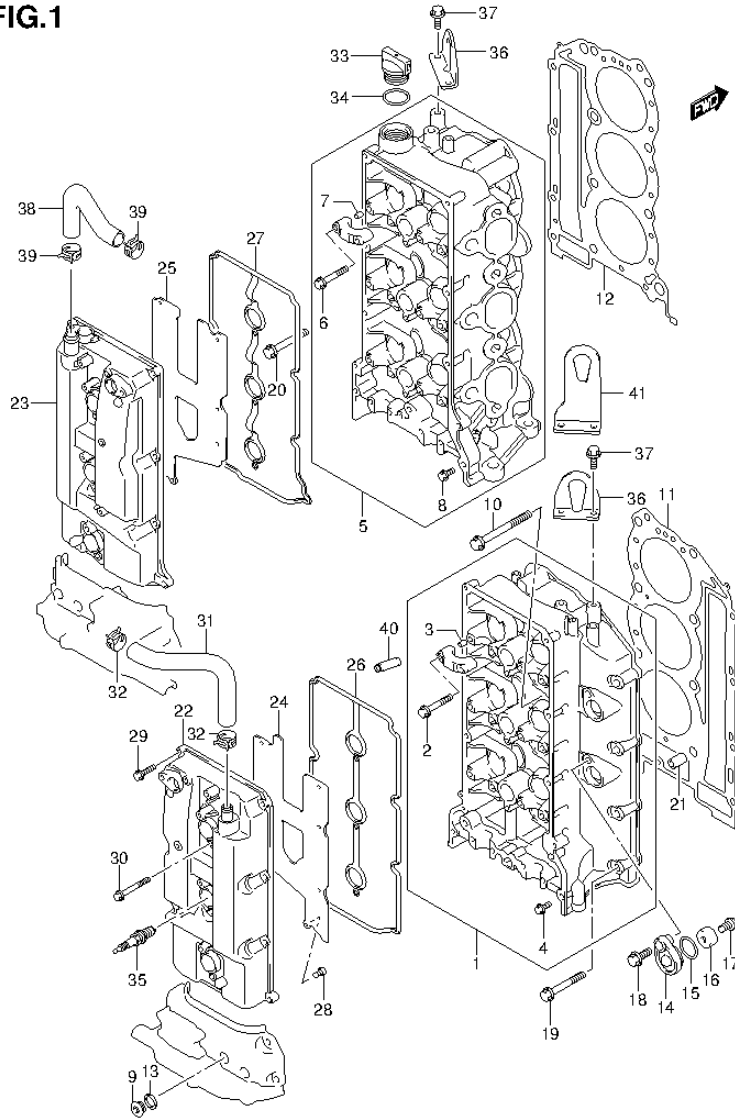


FIG.1 (1-B-2) CYLINDER HEAD (DF200T E03)

REF NO.	PART NO.	DESCRIPTION	Q'TY	REMARKS
1	11101-93J13	HEAD ASSY, CYLINDER STBD	1	
2	11128-90J00	.BOLT, CAM SHAFT HOUSING	16	
3	09206-08001	.PIN (8X11)	14	
4	01550-06207	.BOLT	4	
5	11103-93J13	HEAD ASSY, CYLINDER PORT	1	
6	11128-90J00	.BOLT, CAM SHAFT HOUSING	16	
7	09206-08001	.PIN (8X11)	14	
8	01550-06207	.BOLT	2	
9	11116-93J01	PLUG	4	
10	11119-93J00	BOLT	16	
11	11141-93J10	GASKET, CYL HEAD STBD	1	
12	11142-93J10	GASKET, CYL HEAD PORT	1	
13	09168-16009	GASKET (16X22X0.8)	4	
14	11261-93J00	COVER, PROTECTION ANODE	4	
15	09280-22019	O RING (D:1.9,ID:21.8)	4	
16	55321-87J00	ANODE, PROTECTION	4	
17	09103-06281	BOLT (6X14)	4	
18	01550-08207	BOLT	4	
19	01550-08607	BOLT	5	STBD
20	01550-08607	BOLT	4	PORT
21	09206-14004	PIN (14X11.4X23)	4	
22	11170-93J01	COVER, CYL HEAD STBD	1	
23	11180-93J02	COVER, CYLINDER HEAD PORT	1	
24	11173-93J00	PLATE, BREATHER STBD	1	
25	11183-93J00	PLATE, BREATHER PORT	1	
26	11179-93J00	GASKET, CYL HEAD COVER STBD	1	
27	11189-93J00	GASKET, CYL HEAD COVER PORT	1	
28	02112-0612A	SCREW	14	
29	01547-06257	BOLT	16	
30	01547-06507	BOLT	6	
31	11174-93J00	HOSE, BREATHER	1	
32	09401-18410	CLIP	2	
33	11382-93J00	CAP, OIL FILLER	1	

FIG.1

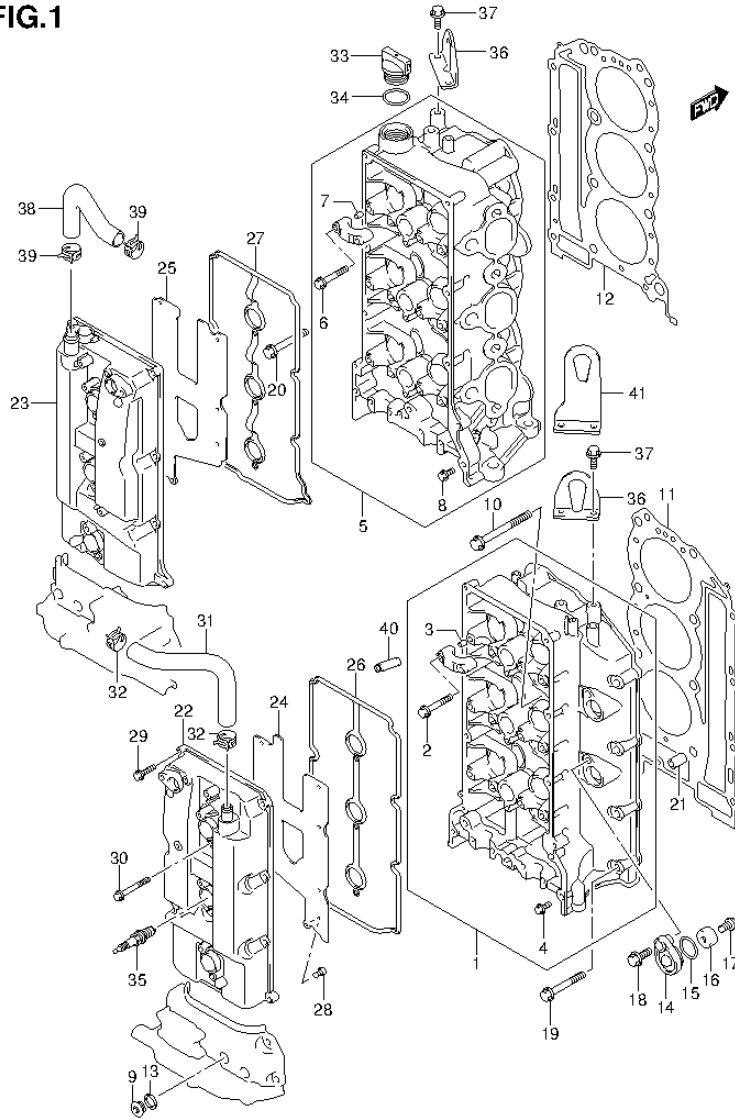


FIG.1 (1-B-3) CYLINDER HEAD (DF200T E03)

REF NO.	PART NO.	DESCRIPTION	Q'TY	REMARKS
34	09280-26006	O RING (D:3.1,ID:26.4)	1	
35	09482-00427	SPARK PLUG (NGK, BKR6E)	6	
36	11291-93J00	HOOK, ENGINE	2	
37	01550-08207	BOLT	4	
38	11184-93J00	HOSE, BREATHER	1	
39	09401-18410	CLIP	2	
40	11115-93J10-001	GUIDE, VALVE OS	24	OPT
41	11291-98J00	HOOK, ENGINE	1	OPT

FIG.2

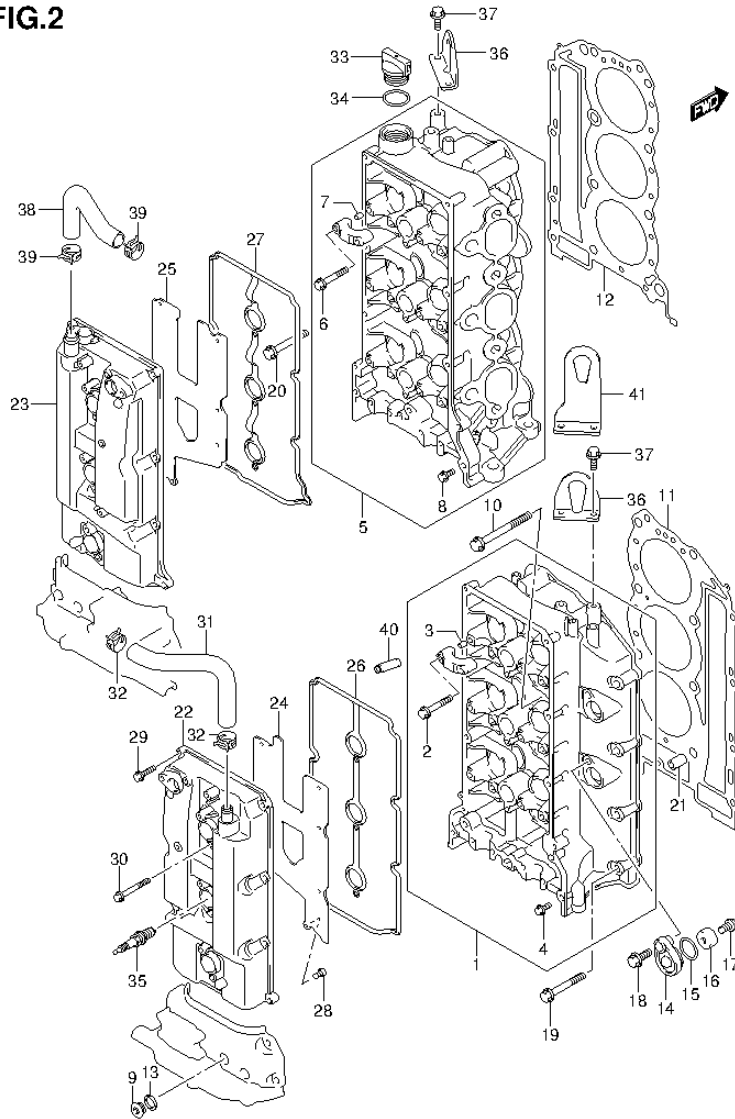


FIG.2 (1-B-4) CYLINDER HEAD (DF200Z E03)

REF NO.	PART NO.	DESCRIPTION	Q'TY	REMARKS
1	11101-93J13	HEAD ASSY, CYLINDER STBD	1	
2	11128-90J00	.BOLT, CAM SHAFT HOUSING	16	
3	09206-08001	.PIN (8X11)	14	
4	01550-06207	.BOLT	4	
5	11103-93J13	HEAD ASSY, CYLINDER PORT	1	
6	11128-90J00	.BOLT, CAM SHAFT HOUSING	16	
7	09206-08001	.PIN (8X11)	14	
8	01550-06207	.BOLT	2	
9	11116-93J01	PLUG	4	
10	11119-93J00	BOLT	16	
11	11141-93J10	GASKET, CYL HEAD STBD	1	
12	11142-93J10	GASKET, CYL HEAD PORT	1	
13	09168-16009	GASKET (16X22X0.8)	4	
14	11261-93J00	COVER, PROTECTION ANODE	4	
15	09280-22019	O RING (D:1.9,ID:21.8)	4	
16	55321-87J00	ANODE, PROTECTION	4	
17	09103-06281	BOLT (6X14)	4	
18	01550-08207	BOLT	4	
19	01550-08607	BOLT	5	STBD
20	01550-08607	BOLT	4	PORT
21	09206-14004	PIN (14X11.4X23)	4	
22	11170-93J01	COVER, CYL HEAD STBD	1	
23	11180-93J02	COVER, CYLINDER HEAD PORT	1	
24	11173-93J00	PLATE, BREATHER STBD	1	
25	11183-93J00	PLATE, BREATHER PORT	1	
26	11179-93J00	GASKET, CYL HEAD COVER STBD	1	
27	11189-93J00	GASKET, CYL HEAD COVER PORT	1	
28	02112-0612A	SCREW	14	
29	01547-06257	BOLT	16	
30	01547-06507	BOLT	6	
31	11174-93J00	HOSE, BREATHER	1	
32	09401-18410	CLIP	2	
33	11382-93J00	CAP, OIL FILLER	1	

FIG.2

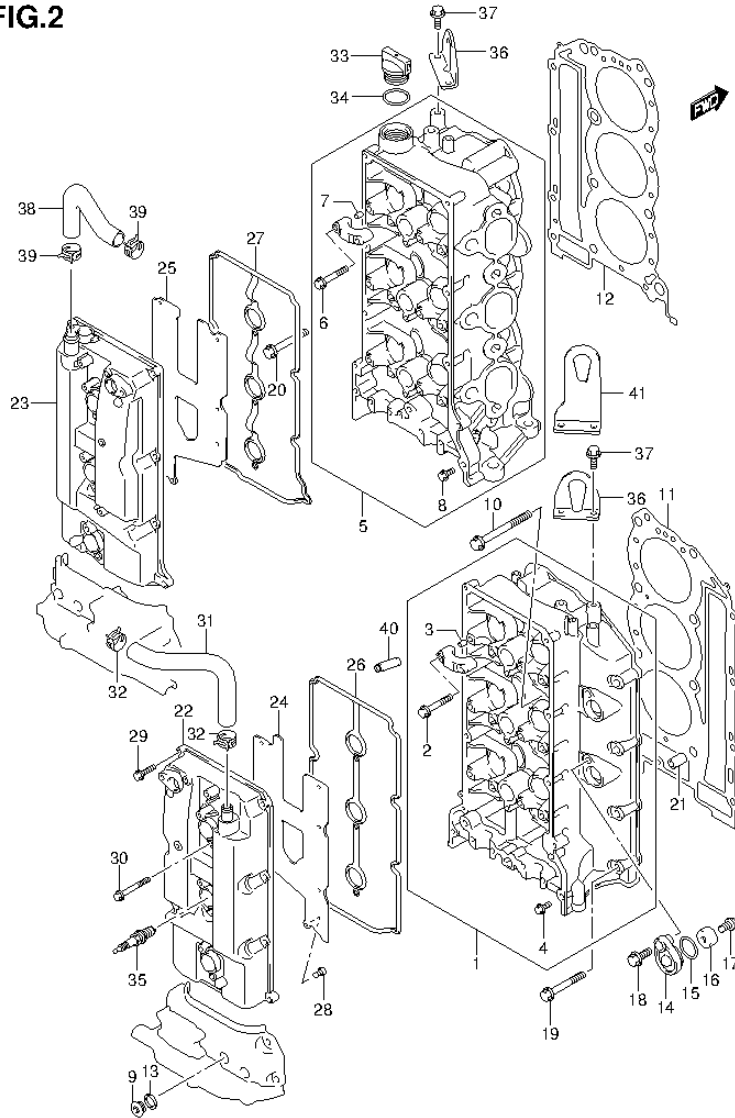


FIG.2 (1-B-5) CYLINDER HEAD (DF200Z E03)

REF NO.	PART NO.	DESCRIPTION	Q'TY	REMARKS
34	09280-26006	O RING (D:3.1,ID:26.4)	1	
35	09482-00427	SPARK PLUG (NGK, BKR6E)	6	
36	11291-93J00	HOOK, ENGINE	2	
37	01550-08207	BOLT	4	
38	11184-93J00	HOSE, BREATHER	1	
39	09401-18410	CLIP	2	
40	11115-93J10-001	GUIDE, VALVE OS	24	OPT
41	11291-98J00	HOOK, ENGINE	1	OPT

FIG.3

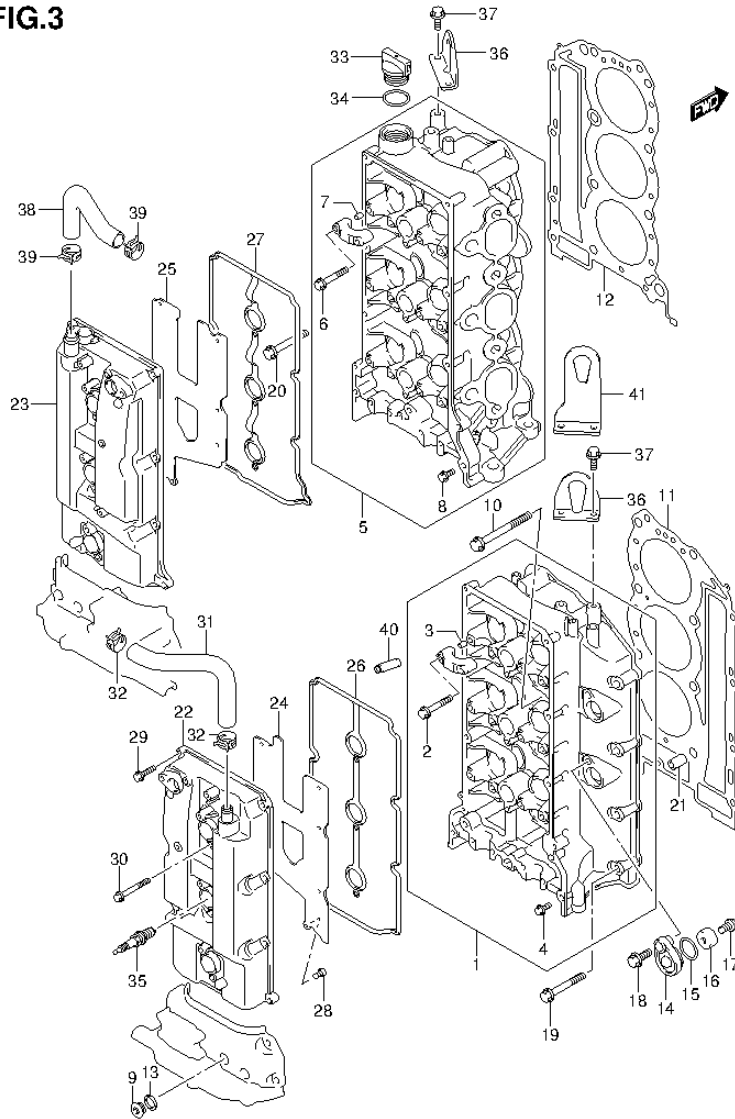


FIG.3 (1-B-6) CYLINDER HEAD (DF225T E03)

REF NO.	PART NO.	DESCRIPTION	Q'TY	REMARKS
1	11101-93J13	HEAD ASSY, CYLINDER STBD	1	
2	11128-90J00	.BOLT, CAM SHAFT HOUSING	16	
3	09206-08001	.PIN (8X11)	14	
4	01550-06207	.BOLT	4	
5	11103-93J13	HEAD ASSY, CYLINDER PORT	1	
6	11128-90J00	.BOLT, CAM SHAFT HOUSING	16	
7	09206-08001	.PIN (8X11)	14	
8	01550-06207	.BOLT	2	
9	11116-93J01	PLUG	4	
10	11119-93J00	BOLT	16	
11	11141-93J10	GASKET, CYL HEAD STBD	1	
12	11142-93J10	GASKET, CYL HEAD PORT	1	
13	09168-16009	GASKET (16X22X0.8)	4	
14	11261-93J00	COVER, PROTECTION ANODE	4	
15	09280-22019	O RING (D:1.9,ID:21.8)	4	
16	55321-87J00	ANODE, PROTECTION	4	
17	09103-06281	BOLT (6X14)	4	
18	01550-08207	BOLT	4	
19	01550-08607	BOLT	5	STBD
20	01550-08607	BOLT	4	PORT
21	09206-14004	PIN (14X11.4X23)	4	
22	11170-93J01	COVER, CYL HEAD STBD	1	
23	11180-93J02	COVER, CYLINDER HEAD PORT	1	
24	11173-93J00	PLATE, BREATHER STBD	1	
25	11183-93J00	PLATE, BREATHER PORT	1	
26	11179-93J00	GASKET, CYL HEAD COVER STBD	1	
27	11189-93J00	GASKET, CYL HEAD COVER PORT	1	
28	02112-0612A	SCREW	14	
29	01547-06257	BOLT	16	
30	01547-06507	BOLT	6	
31	11174-93J00	HOSE, BREATHER	1	
32	09401-18410	CLIP	2	
33	11382-93J00	CAP, OIL FILLER	1	

FIG.3

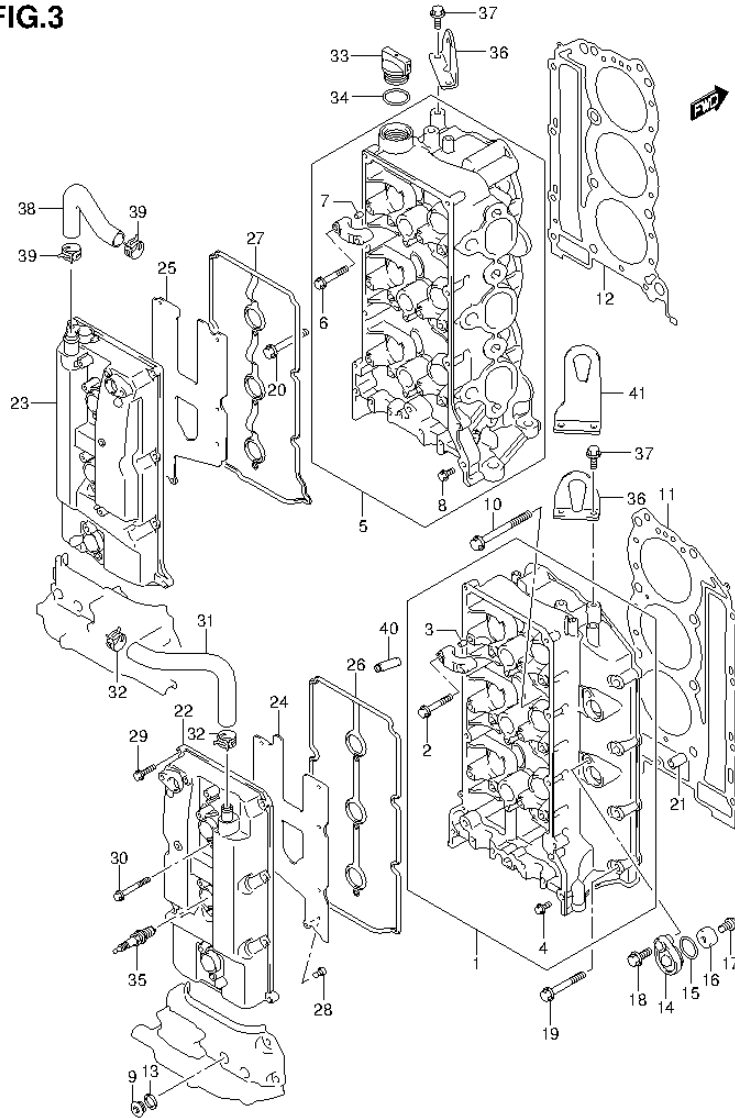


FIG.3 (1-B-7) CYLINDER HEAD (DF225T E03)

REF NO.	PART NO.	DESCRIPTION	Q'TY	REMARKS
34	09280-26006	O RING (D:3.1,ID:26.4)	1	
35	09482-00427	SPARK PLUG (NGK, BKR6E)	6	
36	11291-93J00	HOOK, ENGINE	2	
37	01550-08207	BOLT	4	
38	11184-93J00	HOSE, BREATHER	1	
39	09401-18410	CLIP	2	
40	11115-93J10-001	GUIDE, VALVE OS	24	OPT
41	11291-98J00	HOOK, ENGINE	1	OPT

FIG.4

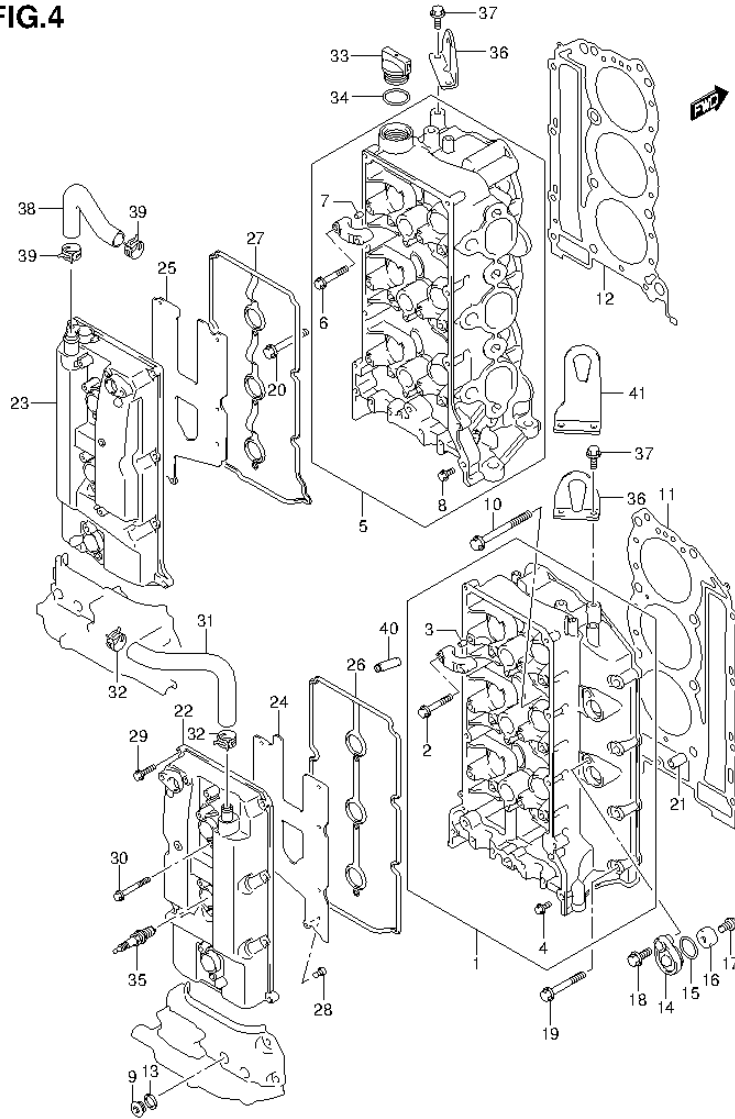


FIG.4 (1-B-8) CYLINDER HEAD (DF225Z E03)

REF NO.	PART NO.	DESCRIPTION	Q'TY	REMARKS
1	11101-93J13	HEAD ASSY, CYLINDER STBD	1	
2	11128-90J00	.BOLT, CAM SHAFT HOUSING	16	
3	09206-08001	.PIN (8X11)	14	
4	01550-06207	.BOLT	4	
5	11103-93J13	HEAD ASSY, CYLINDER PORT	1	
6	11128-90J00	.BOLT, CAM SHAFT HOUSING	16	
7	09206-08001	.PIN (8X11)	14	
8	01550-06207	.BOLT	2	
9	11116-93J01	PLUG	4	
10	11119-93J00	BOLT	16	
11	11141-93J10	GASKET, CYL HEAD STBD	1	
12	11142-93J10	GASKET, CYL HEAD PORT	1	
13	09168-16009	GASKET (16X22X0.8)	4	
14	11261-93J00	COVER, PROTECTION ANODE	4	
15	09280-22019	O RING (D:1.9,ID:21.8)	4	
16	55321-87J00	ANODE, PROTECTION	4	
17	09103-06281	BOLT (6X14)	4	
18	01550-08207	BOLT	4	
19	01550-08607	BOLT	5	STBD
20	01550-08607	BOLT	4	PORT
21	09206-14004	PIN (14X11.4X23)	4	
22	11170-93J01	COVER, CYL HEAD STBD	1	
23	11180-93J02	COVER, CYLINDER HEAD PORT	1	
24	11173-93J00	PLATE, BREATHER STBD	1	
25	11183-93J00	PLATE, BREATHER PORT	1	
26	11179-93J00	GASKET, CYL HEAD COVER STBD	1	
27	11189-93J00	GASKET, CYL HEAD COVER PORT	1	
28	02112-0612A	SCREW	14	
29	01547-06257	BOLT	16	
30	01547-06507	BOLT	6	
31	11174-93J00	HOSE, BREATHER	1	
32	09401-18410	CLIP	2	
33	11382-93J00	CAP, OIL FILLER	1	

FIG.4

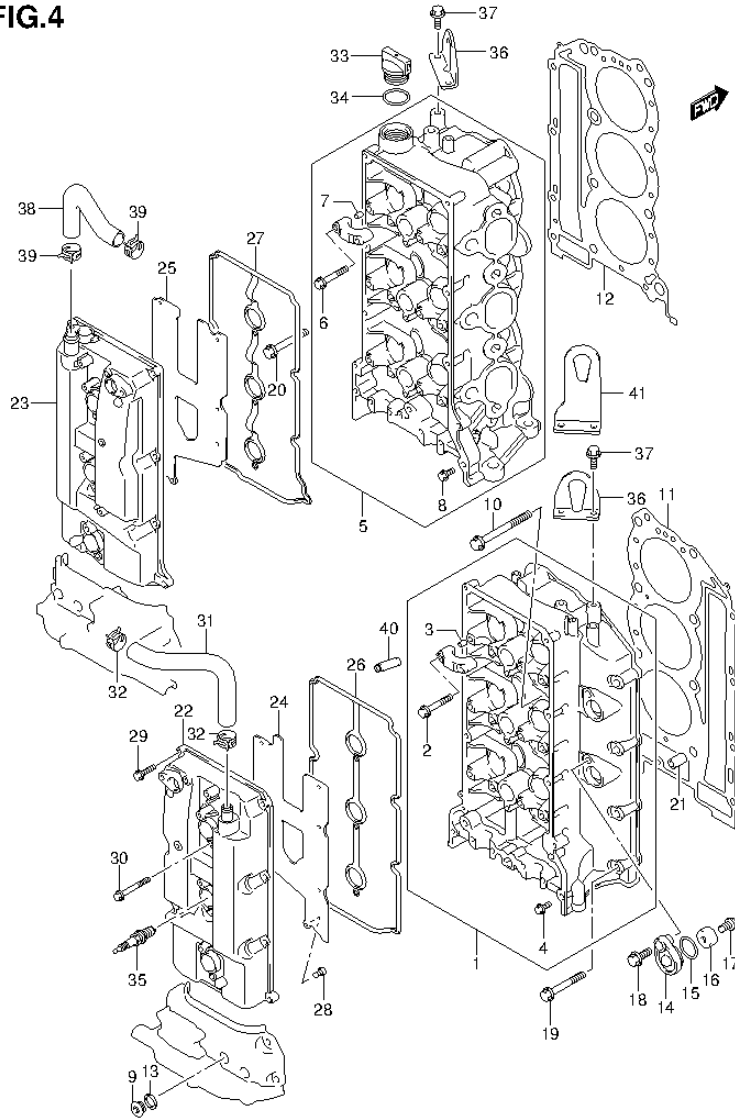


FIG.4 (1-B-9) CYLINDER HEAD (DF225Z E03)

REF NO.	PART NO.	DESCRIPTION	Q'TY	REMARKS
34	09280-26006	O RING (D:3.1,ID:26.4)	1	
35	09482-00427	SPARK PLUG (NGK, BKR6E)	6	
36	11291-93J00	HOOK, ENGINE	2	
37	01550-08207	BOLT	4	
38	11184-93J00	HOSE, BREATHER	1	
39	09401-18410	CLIP	2	
40	11115-93J10-001	GUIDE, VALVE OS	24	OPT
41	11291-98J00	HOOK, ENGINE	1	OPT

FIG.5

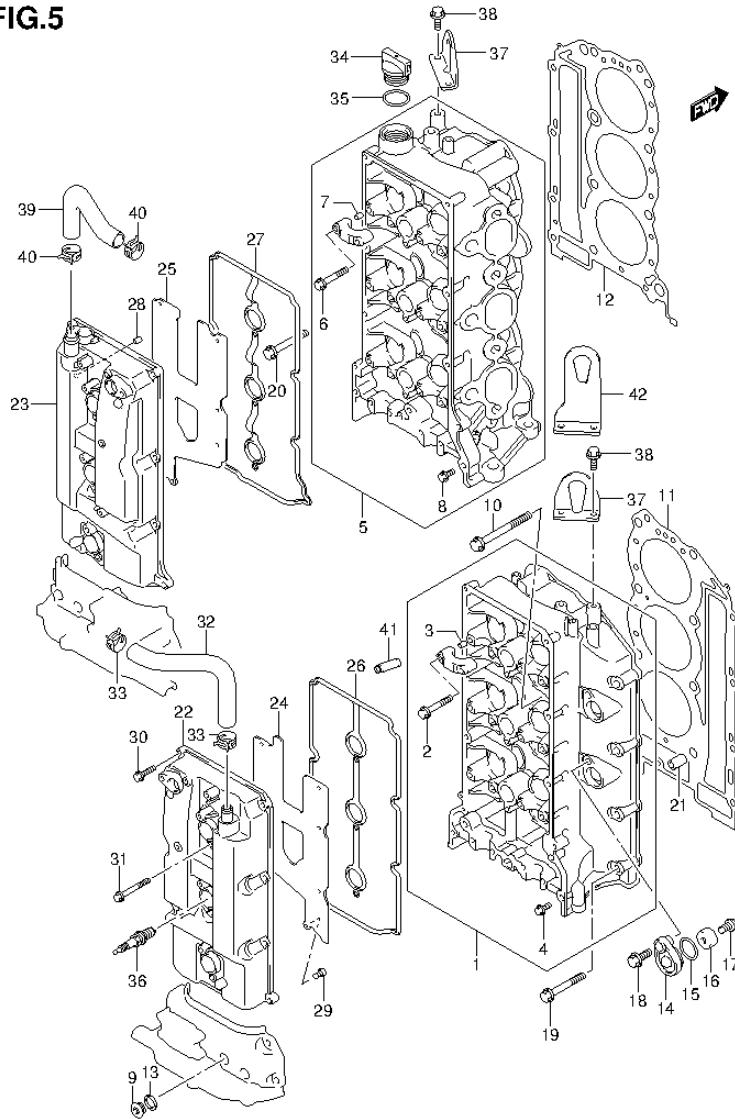


FIG.5 (1-B-10) CYLINDER HEAD (DF250T E03)

REF NO.	PART NO.	DESCRIPTION	Q'TY	REMARKS
1	11101-93J13	HEAD ASSY, CYLINDER STBD	1	
2	11128-90J00	.BOLT, CAM SHAFT HOUSING	16	
3	09206-08001	.PIN (8X11)	14	
4	01550-06207	.BOLT	4	
5	11103-93J13	HEAD ASSY, CYLINDER PORT	1	
6	11128-90J00	.BOLT, CAM SHAFT HOUSING	16	
7	09206-08001	.PIN (8X11)	14	
8	01550-06207	.BOLT	2	
9	11116-93J01	PLUG	4	
10	11119-93J00	BOLT	16	
11	11141-93J10	GASKET, CYL HEAD STBD	1	
12	11142-93J10	GASKET, CYL HEAD PORT	1	
13	09168-16009	GASKET (16X22X0.8)	4	
14	11261-93J00	COVER, PROTECTION ANODE	4	
15	09280-22019	O RING (D:1.9,ID:21.8)	4	
16	55321-87J00	ANODE, PROTECTION	4	
17	09103-06281	BOLT (6X14)	4	
18	01550-08207	BOLT	4	
19	01550-08607	BOLT	5	STBD
20	01550-08607	BOLT	4	PORT
21	09206-14004	PIN (14X11.4X23)	4	
22	11170-93J01	COVER, CYL HEAD STBD	1	
23	11180-93J22	COVER, CYLINDER HEAD PORT	1	
24	11173-93J00	PLATE, BREATHER STBD	1	
25	11183-93J00	PLATE, BREATHER PORT	1	
26	11179-93J00	GASKET, CYL HEAD COVER STBD	1	
27	11189-93J00	GASKET, CYL HEAD COVER PORT	1	
28	09206-08001	PIN (8X11)	1	
29	02112-0612A	SCREW	14	
30	01547-06257	BOLT	16	
31	01547-06507	BOLT	6	
32	11174-93J00	HOSE, BREATHER	1	
33	09401-18410	CLIP	2	

FIG.5

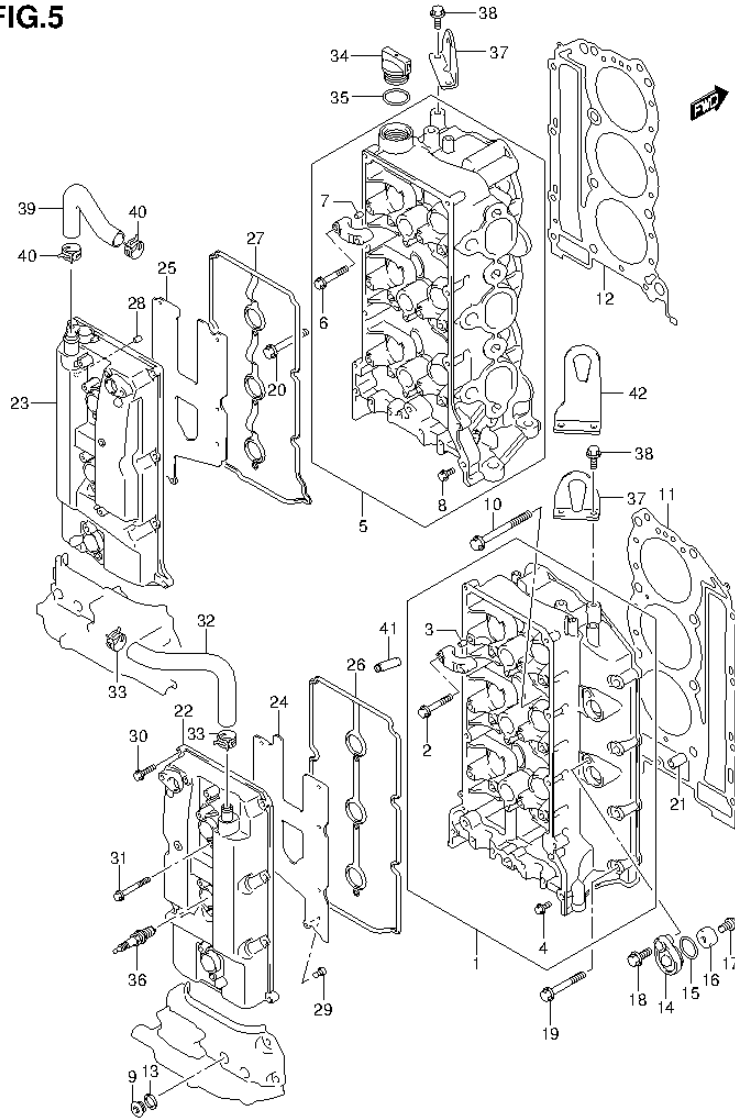


FIG.5 (1-B-11) CYLINDER HEAD (DF250T E03)

REF NO.	PART NO.	DESCRIPTION	Q'TY	REMARKS
34	11382-93J00	CAP, OIL FILLER	1	
35	09280-26006	O RING (D:3.1, ID:26.4)	1	
36	09482-00427	SPARK PLUG (NGK, BKR6E)	6	
37	11291-93J00	HOOK, ENGINE	2	
38	01550-08207	BOLT	4	
39	11184-93J00	HOSE, BREATHER	1	
40	09401-18410	CLIP	2	
41	11115-93J10-001	GUIDE, VALVE OS	24	OPT
42	11291-98J00	HOOK, ENGINE	1	OPT

FIG.6

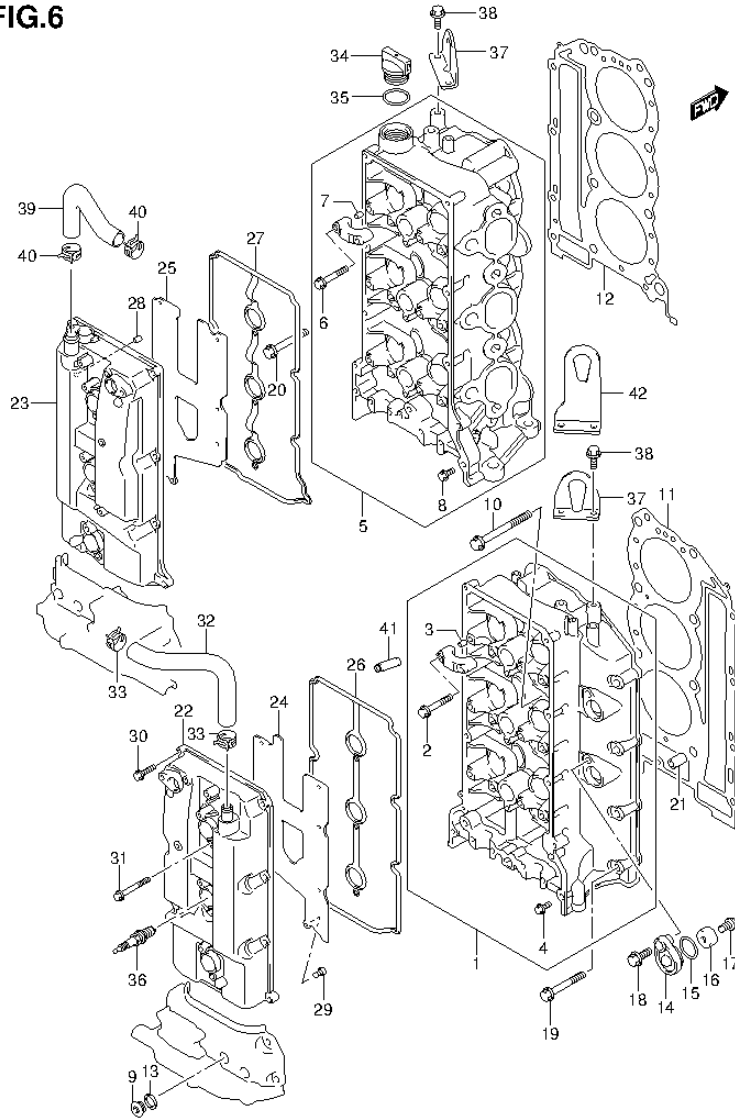


FIG.6 (1-B-12) CYLINDER HEAD (DF250Z E03)

REF NO.	PART NO.	DESCRIPTION	Q'TY	REMARKS
1	11101-93J13	HEAD ASSY, CYLINDER STBD	1	
2	11128-90J00	.BOLT, CAM SHAFT HOUSING	16	
3	09206-08001	.PIN (8X11)	14	
4	01550-06207	.BOLT	4	
5	11103-93J13	HEAD ASSY, CYLINDER PORT	1	
6	11128-90J00	.BOLT, CAM SHAFT HOUSING	16	
7	09206-08001	.PIN (8X11)	14	
8	01550-06207	.BOLT	2	
9	11116-93J01	PLUG	4	
10	11119-93J00	BOLT	16	
11	11141-93J10	GASKET, CYL HEAD STBD	1	
12	11142-93J10	GASKET, CYL HEAD PORT	1	
13	09168-16009	GASKET (16X22X0.8)	4	
14	11261-93J00	COVER, PROTECTION ANODE	4	
15	09280-22019	O RING (D:1.9,ID:21.8)	4	
16	55321-87J00	ANODE, PROTECTION	4	
17	09103-06281	BOLT (6X14)	4	
18	01550-08207	BOLT	4	
19	01550-08607	BOLT	5	STBD
20	01550-08607	BOLT	4	PORT
21	09206-14004	PIN (14X11.4X23)	4	
22	11170-93J01	COVER, CYL HEAD STBD	1	
23	11180-93J22	COVER, CYLINDER HEAD PORT	1	
24	11173-93J00	PLATE, BREATHER STBD	1	
25	11183-93J00	PLATE, BREATHER PORT	1	
26	11179-93J00	GASKET, CYL HEAD COVER STBD	1	
27	11189-93J00	GASKET, CYL HEAD COVER PORT	1	
28	09206-08001	PIN (8X11)	1	
29	02112-0612A	SCREW	14	
30	01547-06257	BOLT	16	
31	01547-06507	BOLT	6	
32	11174-93J00	HOSE, BREATHER	1	
33	09401-18410	CLIP	2	

FIG.6

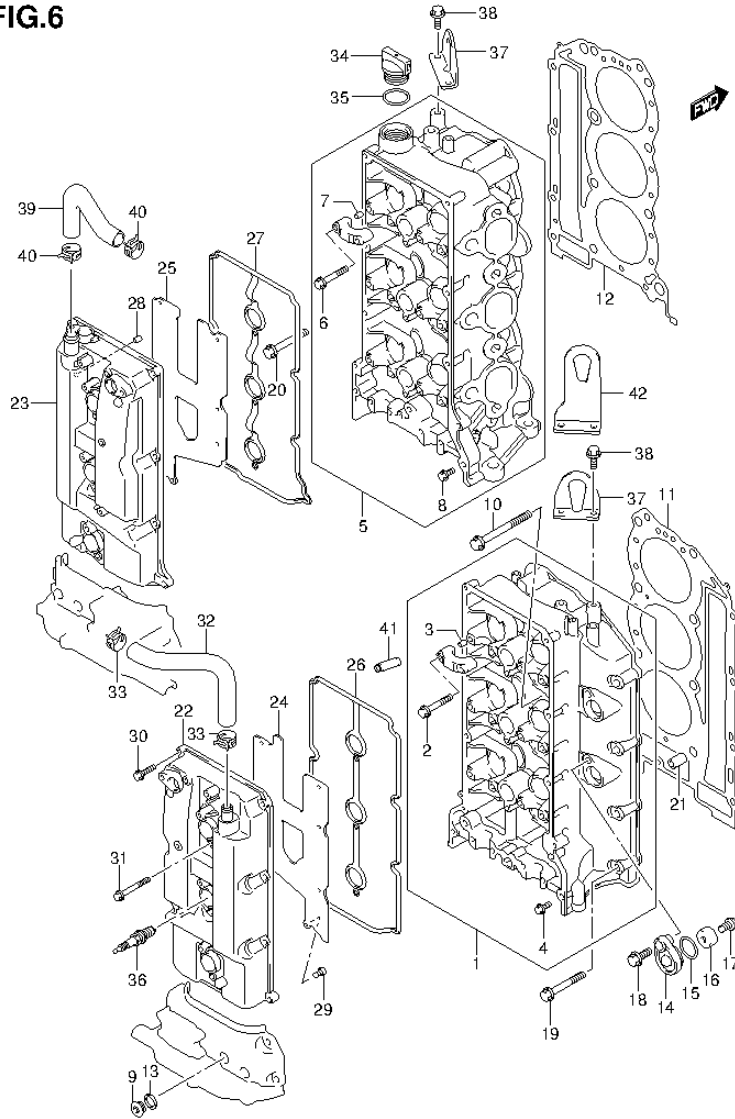


FIG.6 (1-B-13) CYLINDER HEAD (DF250Z E03)

REF NO.	PART NO.	DESCRIPTION	Q'TY	REMARKS
34	11382-93J00	CAP, OIL FILLER	1	
35	09280-26006	O RING (D:3.1, ID:26.4)	1	
36	09482-00427	SPARK PLUG (NGK, BKR6E)	6	
37	11291-93J00	HOOK, ENGINE	2	
38	01550-08207	BOLT	4	
39	11184-93J00	HOSE, BREATHER	1	
40	09401-18410	CLIP	2	
41	11115-93J10-001	GUIDE, VALVE OS	24	OPT
42	11291-98J00	HOOK, ENGINE	1	OPT

FIG.7

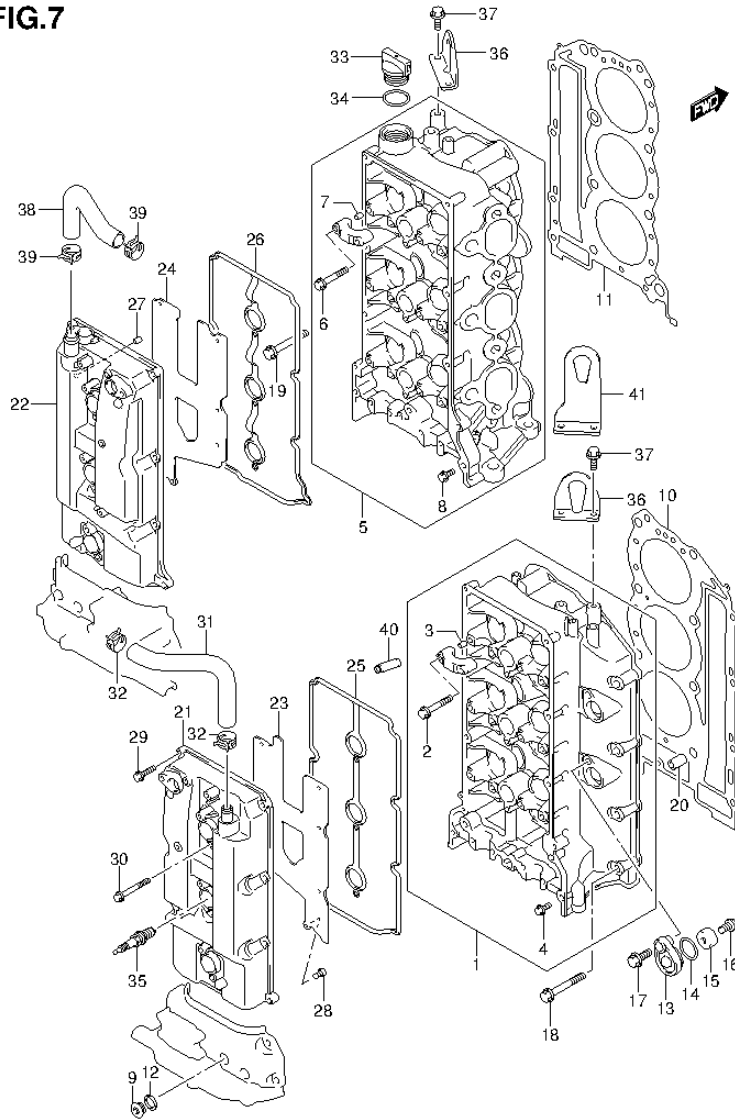


FIG.7 (1-B-14) CYLINDER HEAD (DF250ST E03)

REF NO.	PART NO.	DESCRIPTION	Q'TY	REMARKS
1	11101-98J03	HEAD ASSY, CYLINDER STBD	1	
2	11128-90J00	.BOLT, CAM SHAFT HOUSING	16	
3	09206-08001	.PIN (8X11)	14	
4	01550-06207	.BOLT	4	
5	11103-98J03	HEAD ASSY, CYLINDER PORT	1	
6	11128-90J00	.BOLT, CAM SHAFT HOUSING	16	
7	09206-08001	.PIN (8X11)	14	
8	01550-06207	.BOLT	2	
9	11116-93J01	PLUG	4	
10	11141-98J10	GASKET, CYL HEAD STBD	1	
11	11142-98J10	GASKET, CYL HEAD PORT	1	
12	09168-16009	GASKET (16X22X0.8)	4	
13	11261-93J00	COVER, PROTECTION ANODE	4	
14	09280-22019	O RING (D:1.9,ID:21.8)	4	
15	55321-87J00	ANODE, PROTECTION	4	
16	09103-06281	BOLT (6X14)	4	
17	01550-08207	BOLT	4	
18	01550-08607	BOLT	5	
19	01550-08607	BOLT	4	
20	09206-14004	PIN (14X11.4X23)	4	
21	11170-93J01	COVER, CYL HEAD STBD	1	
22	11180-93J22	COVER, CYLINDER HEAD PORT	1	
23	11173-93J00	PLATE, BREATHER STBD	1	
24	11183-93J00	PLATE, BREATHER PORT	1	
25	11179-93J00	GASKET, CYL HEAD COVER STBD	1	
26	11189-93J00	GASKET, CYL HEAD COVER PORT	1	
27	09206-08001	PIN (8X11)	1	
28	02112-0612A	SCREW	14	
29	01547-06257	BOLT	16	
30	01547-06507	BOLT	6	
31	11174-93J00	HOSE, BREATHER	1	
32	09401-18410	CLIP	2	
33	11382-93J00	CAP, OIL FILLER	1	

FIG.7

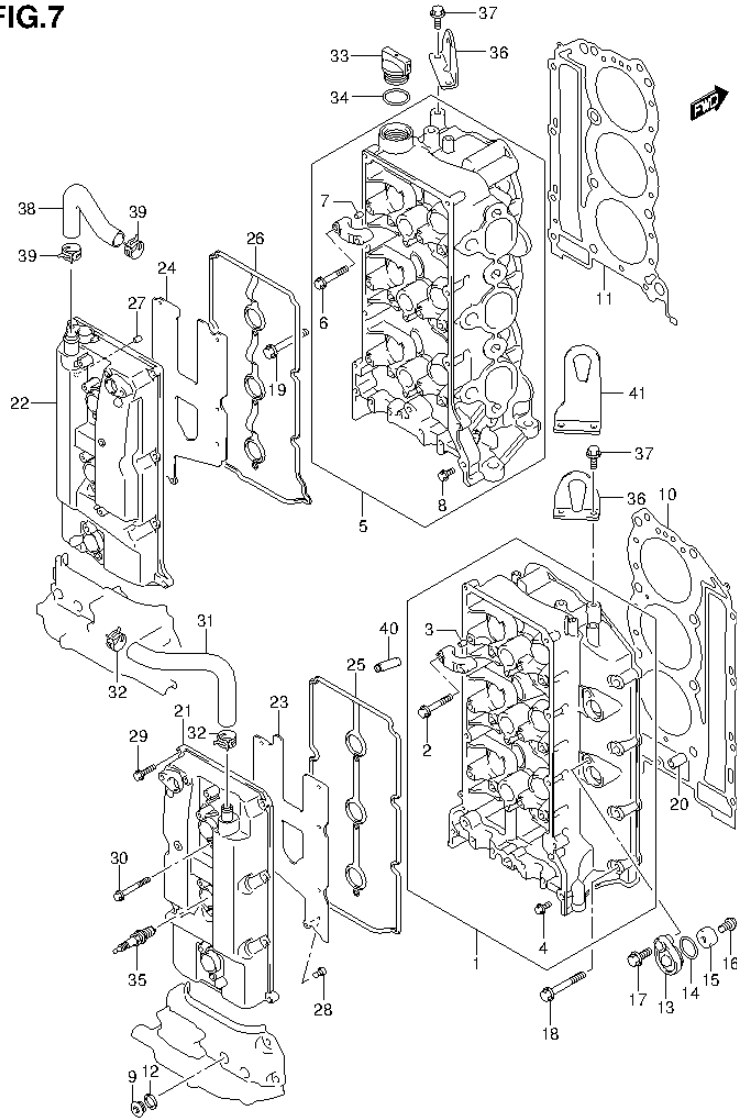


FIG.7 (1-B-15) CYLINDER HEAD (DF250ST E03)

REF NO.	PART NO.	DESCRIPTION	Q'TY	REMARKS
34	09280-26006	O RING (D:3.1,ID:26.4)	1	
35	09482-00427	SPARK PLUG (NGK, BKR6E)	6	
36	11291-93J00	HOOK, ENGINE	2	
37	01550-08207	BOLT	4	
38	11184-93J00	HOSE, BREATHER	1	
39	09401-18410	CLIP	2	
40	11115-93J10-001	GUIDE, VALVE OS	24	OPT
41	11291-98J00	HOOK, ENGINE	1	OPT

FIG.8

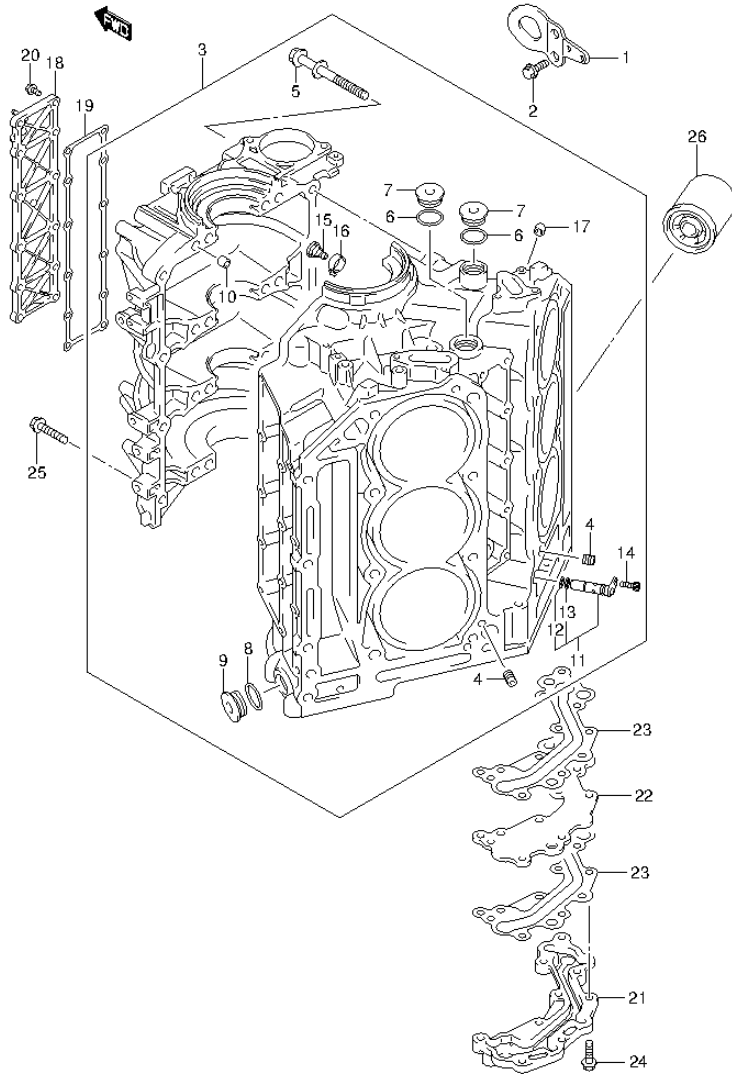


FIG.8 (1-C-2) CYLINDER BLOCK (DF200T E03)

REF NO.	PART NO.	DESCRIPTION	Q'TY	REMARKS
1	11293-98J00	HOOK, ENGINE	1	
2	01550-08207	BOLT	2	
3	11301-93J11	BLOCK SET, CYLINDER	1	
4	11112-93J00	.PLUG, OIL VENTURI	2	
5	11117-93J10	.BOLT, CRANKCASE	16	
6	11217-85FA0	.GASKET, M26 PLUG	3	
7	09248-26001	.PLUG (26X11)	3	
8	09160-18031	.WASHER (18.5X28X2.6)	2	
9	09248-18006	.PLUG (18X8)	2	
10	09206-13019	.PIN (10.4X13X16)	5	
11	16700-93J00	.VALVE, PISTON JET	1	
12	09280-10009	..O RING (D:1.3,ID:9.8)	1	
13	09280-10016	..O RING (D:1.9,ID:9.8)	1	
14	07130-0616A	.BOLT	1	
15	16712-93J00	.BOLT, PISTON COOLING JET	6	
16	16721-93J00	.JET, PISTON COOLING	6	
17	09246-05006	.PLUG	1	
18	11330-93J01	COVER, CRANKCASE WTR JKT	1	
19	11332-93J00	GASKET, WTR JKT COVER	1	
20	01550-06207	BOLT	12	
21	16430-93J00	COVER, OIL GALLERY	1	
22	16431-93J00	PLATE, OIL GALLERY	1	
23	16433-93J00	GASKET, OIL GALLERY	2	
24	01550-0835A	BOLT	9	
25	01550-08457	BOLT	8	
26	16510-96J00	FILTER ASSY, OIL	1	

FIG.9

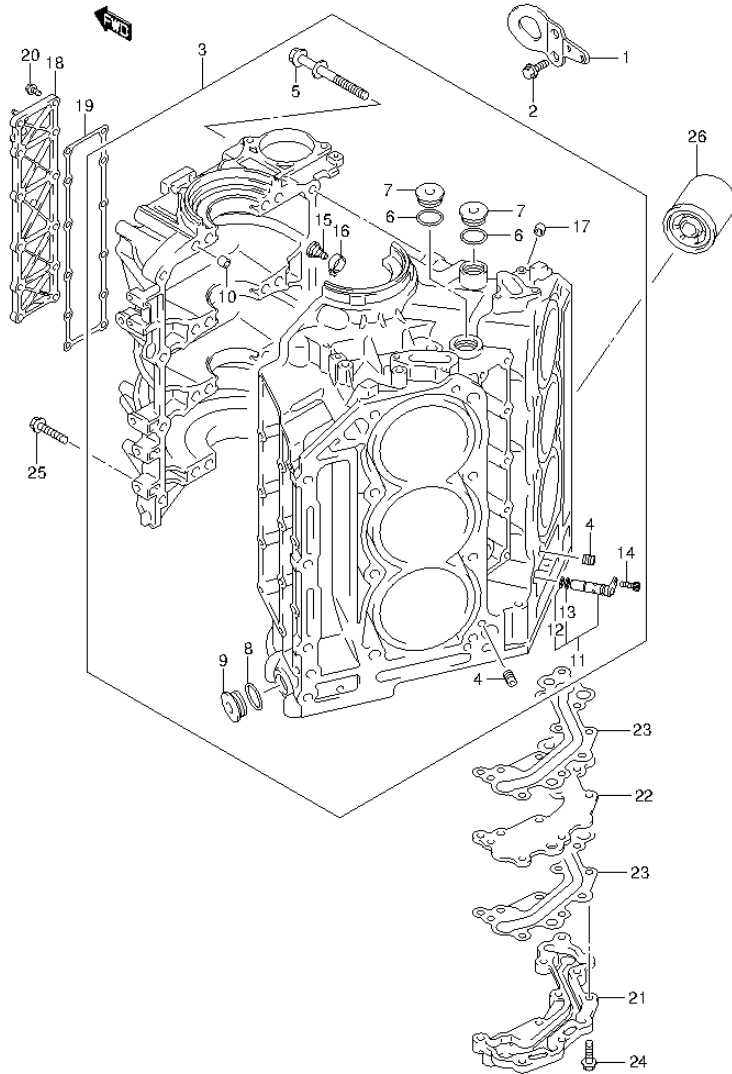


FIG.9 (1-C-3) CYLINDER BLOCK (DF200Z E03)

REF NO.	PART NO.	DESCRIPTION	Q'TY	REMARKS
1	11293-98J00	HOOK, ENGINE	1	
2	01550-08207	BOLT	2	
3	11301-93J11	BLOCK SET, CYLINDER	1	
4	11112-93J00	.PLUG, OIL VENTURI	2	
5	11117-93J10	.BOLT, CRANKCASE	16	
6	11217-85FA0	.GASKET, M26 PLUG	3	
7	09248-26001	.PLUG (26X11)	3	
8	09160-18031	.WASHER (18.5X28X2.6)	2	
9	09248-18006	.PLUG (18X8)	2	
10	09206-13019	.PIN (10.4X13X16)	5	
11	16700-93J00	.VALVE, PISTON JET	1	
12	09280-10009	..O RING (D:1.3,ID:9.8)	1	
13	09280-10016	..O RING (D:1.9,ID:9.8)	1	
14	07130-0616A	.BOLT	1	
15	16712-93J00	.BOLT, PISTON COOLING JET	6	
16	16721-93J00	.JET, PISTON COOLING	6	
17	09246-05006	.PLUG	1	
18	11330-93J01	COVER, CRANKCASE WTR JKT	1	
19	11332-93J00	GASKET, WTR JKT COVER	1	
20	01550-06207	BOLT	12	
21	16430-93J00	COVER, OIL GALLERY	1	
22	16431-93J00	PLATE, OIL GALLERY	1	
23	16433-93J00	GASKET, OIL GALLERY	2	
24	01550-0835A	BOLT	9	
25	01550-08457	BOLT	8	
26	16510-96J00	FILTER ASSY, OIL	1	

FIG.10

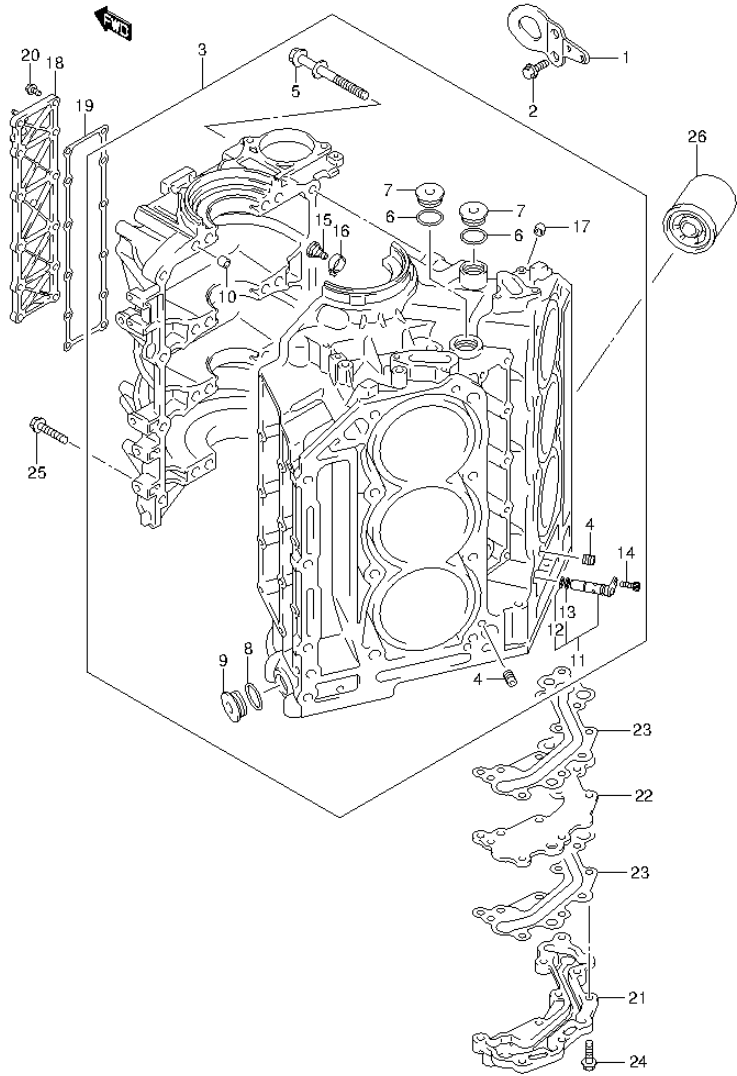


FIG.10 (1-C-4) CYLINDER BLOCK (DF225T E03)

REF NO.	PART NO.	DESCRIPTION	Q'TY	REMARKS
1	11293-98J00	HOOK, ENGINE	1	
2	01550-08207	BOLT	2	
3	11301-93J11	BLOCK SET, CYLINDER	1	
4	11112-93J00	.PLUG, OIL VENTURI	2	
5	11117-93J10	.BOLT, CRANKCASE	16	
6	11217-85FA0	.GASKET, M26 PLUG	3	
7	09248-26001	.PLUG (26X11)	3	
8	09160-18031	.WASHER (18.5X28X2.6)	2	
9	09248-18006	.PLUG (18X8)	2	
10	09206-13019	.PIN (10.4X13X16)	5	
11	16700-93J00	.VALVE, PISTON JET	1	
12	09280-10009	..O RING (D:1.3,ID:9.8)	1	
13	09280-10016	..O RING (D:1.9,ID:9.8)	1	
14	07130-0616A	.BOLT	1	
15	16712-93J00	.BOLT, PISTON COOLING JET	6	
16	16721-93J00	.JET, PISTON COOLING	6	
17	09246-05006	.PLUG	1	
18	11330-93J01	COVER, CRANKCASE WTR JKT	1	
19	11332-93J00	GASKET, WTR JKT COVER	1	
20	01550-06207	BOLT	12	
21	16430-93J00	COVER, OIL GALLERY	1	
22	16431-93J00	PLATE, OIL GALLERY	1	
23	16433-93J00	GASKET, OIL GALLERY	2	
24	01550-0835A	BOLT	9	
25	01550-08457	BOLT	8	
26	16510-96J00	FILTER ASSY, OIL	1	

FIG.11

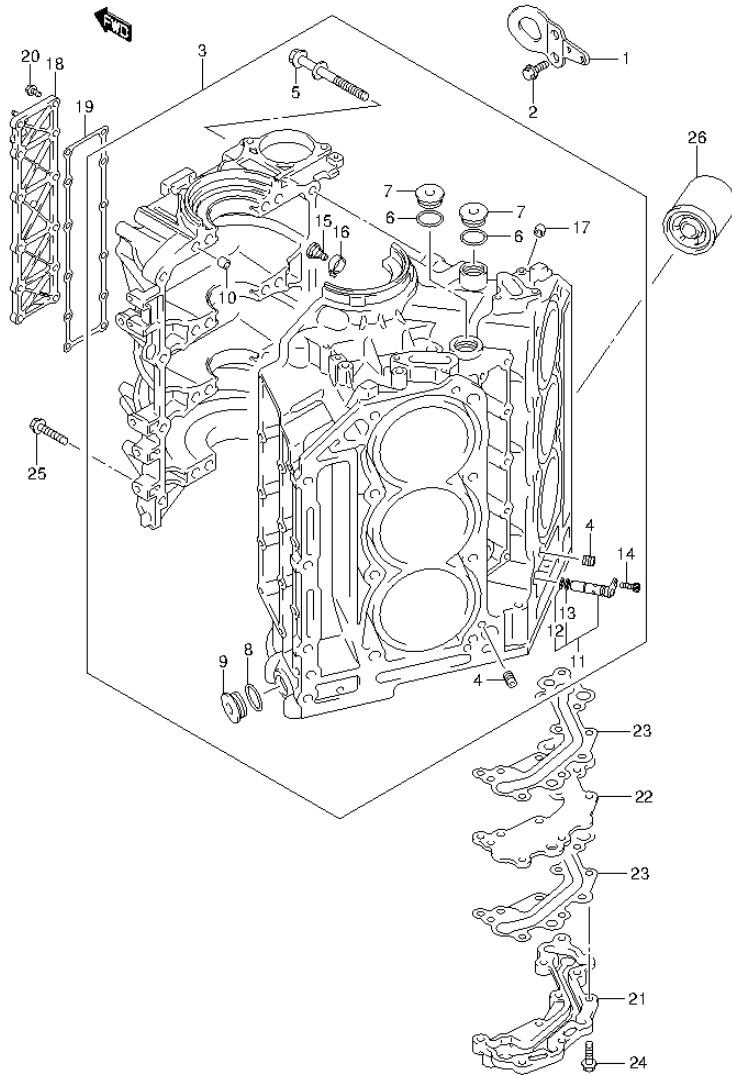


FIG.11 (1-C-5) CYLINDER BLOCK (DF225Z E03)

REF NO.	PART NO.	DESCRIPTION	Q'TY	REMARKS
1	11293-98J00	HOOK, ENGINE	1	
2	01550-08207	BOLT	2	
3	11301-93J11	BLOCK SET, CYLINDER	1	
4	11112-93J00	.PLUG, OIL VENTURI	2	
5	11117-93J10	.BOLT, CRANKCASE	16	
6	11217-85FA0	.GASKET, M26 PLUG	3	
7	09248-26001	.PLUG (26X11)	3	
8	09160-18031	.WASHER (18.5X28X2.6)	2	
9	09248-18006	.PLUG (18X8)	2	
10	09206-13019	.PIN (10.4X13X16)	5	
11	16700-93J00	.VALVE, PISTON JET	1	
12	09280-10009	..O RING (D:1.3,ID:9.8)	1	
13	09280-10016	..O RING (D:1.9,ID:9.8)	1	
14	07130-0616A	.BOLT	1	
15	16712-93J00	.BOLT, PISTON COOLING JET	6	
16	16721-93J00	.JET, PISTON COOLING	6	
17	09246-05006	.PLUG	1	
18	11330-93J01	COVER, CRANKCASE WTR JKT	1	
19	11332-93J00	GASKET, WTR JKT COVER	1	
20	01550-06207	BOLT	12	
21	16430-93J00	COVER, OIL GALLERY	1	
22	16431-93J00	PLATE, OIL GALLERY	1	
23	16433-93J00	GASKET, OIL GALLERY	2	
24	01550-0835A	BOLT	9	
25	01550-08457	BOLT	8	
26	16510-96J00	FILTER ASSY, OIL	1	

FIG.12

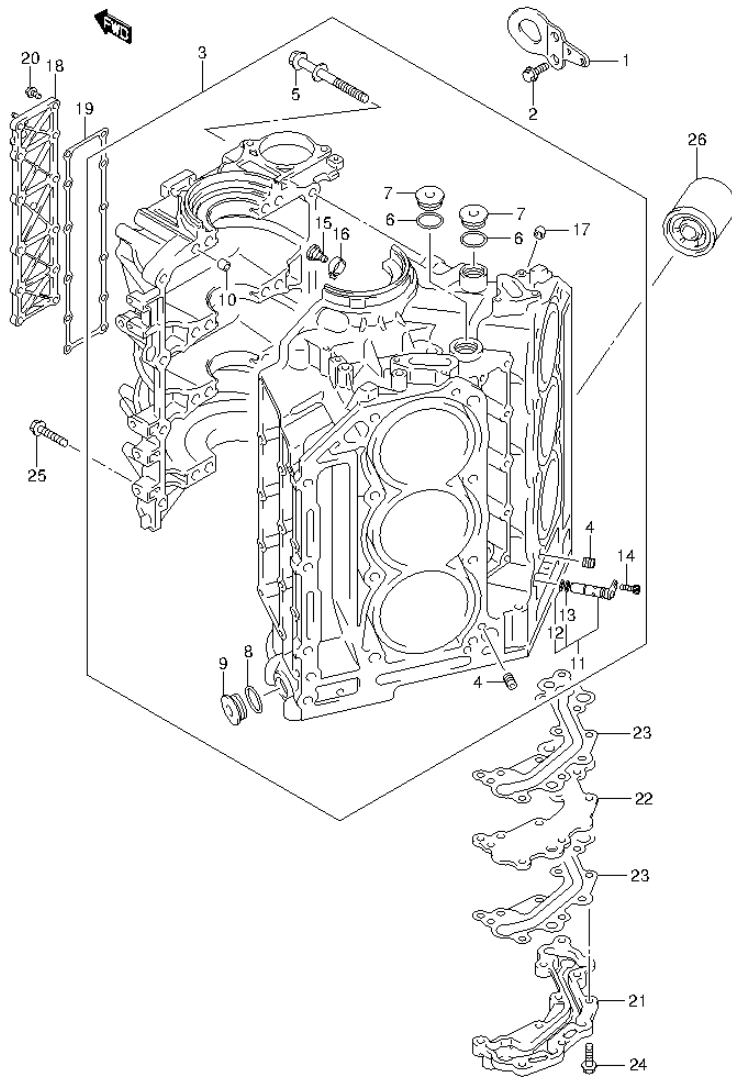


FIG.12 (1-C-6) CYLINDER BLOCK (DF250T E03)

REF NO.	PART NO.	DESCRIPTION	Q'TY	REMARKS
1	11293-98J00	HOOK, ENGINE	1	
2	01550-08207	BOLT	2	
3	11301-93J11	BLOCK SET, CYLINDER	1	
4	11112-93J00	.PLUG, OIL VENTURI	2	
5	11117-93J10	.BOLT, CRANKCASE	16	
6	11217-85FA0	.GASKET, M26 PLUG	3	
7	09248-26001	.PLUG (26X11)	3	
8	09160-18031	.WASHER (18.5X28X2.6)	2	
9	09248-18006	.PLUG (18X8)	2	
10	09206-13019	.PIN (10.4X13X16)	5	
11	16700-93J00	.VALVE, PISTON JET	1	
12	09280-10009	..O RING (D:1.3,ID:9.8)	1	
13	09280-10016	..O RING (D:1.9,ID:9.8)	1	
14	07130-0616A	.BOLT	1	
15	16712-93J00	.BOLT, PISTON COOLING JET	6	
16	16721-93J00	.JET, PISTON COOLING	6	
17	09246-05006	.PLUG	1	
18	11330-93J01	COVER, CRANKCASE WTR JKT	1	
19	11332-93J00	GASKET, WTR JKT COVER	1	
20	01550-06207	BOLT	12	
21	16430-93J00	COVER, OIL GALLERY	1	
22	16431-93J00	PLATE, OIL GALLERY	1	
23	16433-93J00	GASKET, OIL GALLERY	2	
24	01550-0835A	BOLT	9	
25	01550-08457	BOLT	8	
26	16510-96J00	FILTER ASSY, OIL	1	

FIG.13

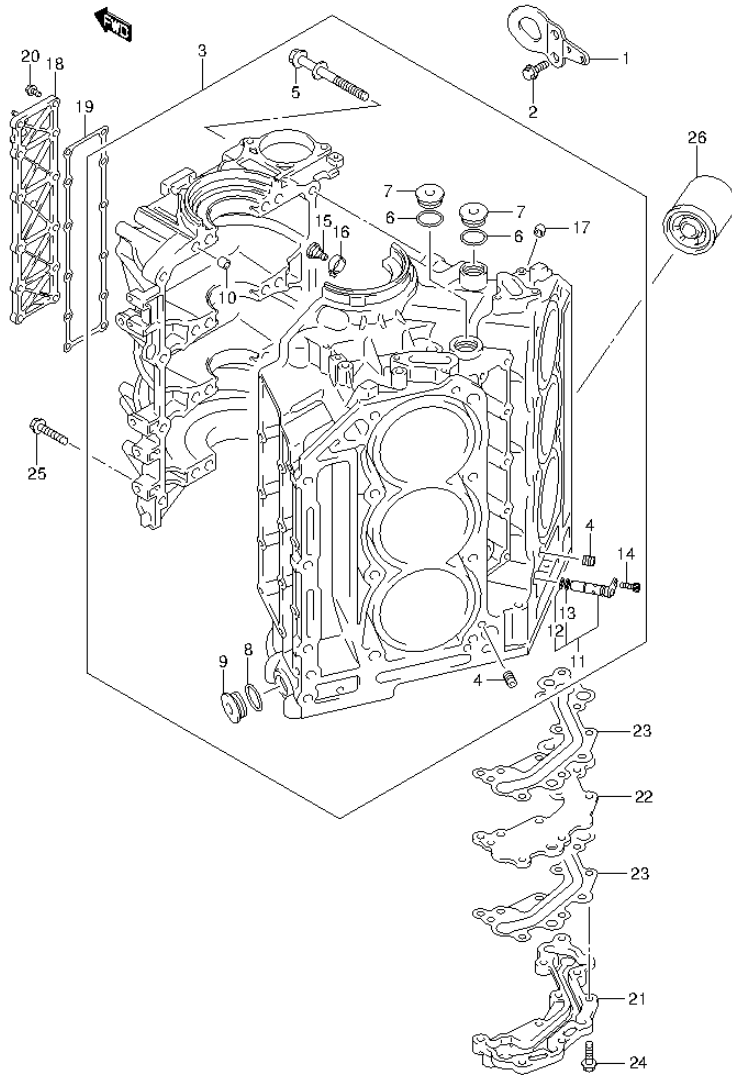


FIG.13 (1-C-7) CYLINDER BLOCK (DF250Z E03)

REF NO.	PART NO.	DESCRIPTION	Q'TY	REMARKS
1	11293-98J00	HOOK, ENGINE	1	
2	01550-08207	BOLT	2	
3	11301-93J11	BLOCK SET, CYLINDER	1	
4	11112-93J00	.PLUG, OIL VENTURI	2	
5	11117-93J10	.BOLT, CRANKCASE	16	
6	11217-85FA0	.GASKET, M26 PLUG	3	
7	09248-26001	.PLUG (26X11)	3	
8	09160-18031	.WASHER (18.5X28X2.6)	2	
9	09248-18006	.PLUG (18X8)	2	
10	09206-13019	.PIN (10.4X13X16)	5	
11	16700-93J00	.VALVE, PISTON JET	1	
12	09280-10009	..O RING (D:1.3,ID:9.8)	1	
13	09280-10016	..O RING (D:1.9,ID:9.8)	1	
14	07130-0616A	.BOLT	1	
15	16712-93J00	.BOLT, PISTON COOLING JET	6	
16	16721-93J00	.JET, PISTON COOLING	6	
17	09246-05006	.PLUG	1	
18	11330-93J01	COVER, CRANKCASE WTR JKT	1	
19	11332-93J00	GASKET, WTR JKT COVER	1	
20	01550-06207	BOLT	12	
21	16430-93J00	COVER, OIL GALLERY	1	
22	16431-93J00	PLATE, OIL GALLERY	1	
23	16433-93J00	GASKET, OIL GALLERY	2	
24	01550-0835A	BOLT	9	
25	01550-08457	BOLT	8	
26	16510-96J00	FILTER ASSY, OIL	1	

FIG.14

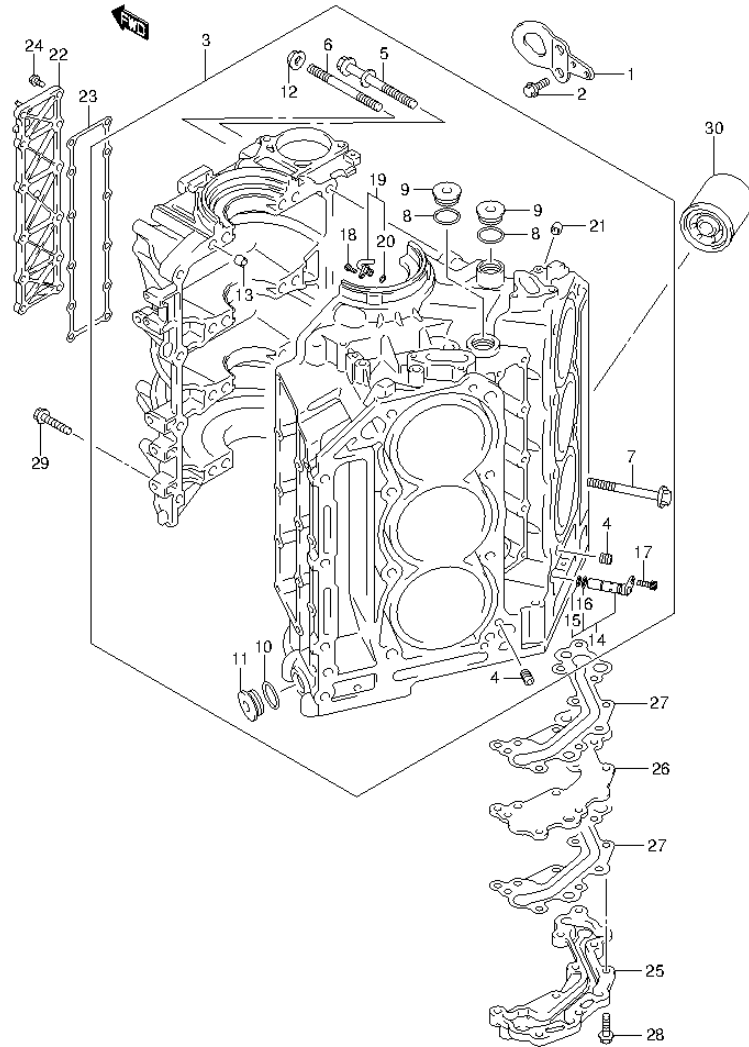


FIG.14 (1-C-8) CYLINDER BLOCK (DF250ST E03)

REF NO.	PART NO.	DESCRIPTION	Q'TY	REMARKS
1	11293-98J00	HOOK, ENGINE FRONT	1	
2	01550-08207	BOLT	2	
3	11301-98J03	BLOCK SET, CYLINDER	1	
4	11112-93J00	.PLUG, OIL VENTURI	2	
5	11117-93J10	.BOLT, CRANKCASE	12	
6	11117-98J10	.BOLT, CRANKCASE STUD	4	
7	11119-93J00	.BOLT, CYLINDER HEAD	16	
8	11217-85FA0	.GASKET, M26 PLUG	3	
9	09248-26001	.PLUG (26X11)	3	
10	09160-18031	.WASHER (18.5X28X2.6)	2	
11	09248-18006	.PLUG (18X8)	2	
12	09159-10116	.NUT	4	
13	09206-13019	.PIN (10.4X13X16)	5	
14	16700-93J00	.VALVE, PISTON JET	1	
15	09280-10009	.O RING (D:1.3,ID:9.8)	1	
16	09280-10016	.O RING (D:1.9,ID:9.8)	1	
17	07130-0616A	.BOLT	1	
18	07130-0510A	.BOLT	6	
19	11390-98J00	.JET, PISTON COOLING	6	
20	09280-06005	.O RING (D:1.9,ID:5.7)	6	
21	09246-05006	.PLUG	1	
22	11330-93J01	COVER, CRANKCASE WTR JKT	1	
23	11332-93J00	GASKET, CRANKCASE WTR JKT COV	1	
24	01550-06207	BOLT	12	
25	16430-93J00	COVER, OIL GALLERY	1	
26	16431-93J00	PLATE, OIL GALLERY	1	
27	16433-93J00	GASKET, OIL GALLERY	2	
28	01550-0835A	BOLT	9	
29	01550-08457	BOLT	8	
30	16510-96J00	FILTER ASSY, OIL	1	

FIG.15

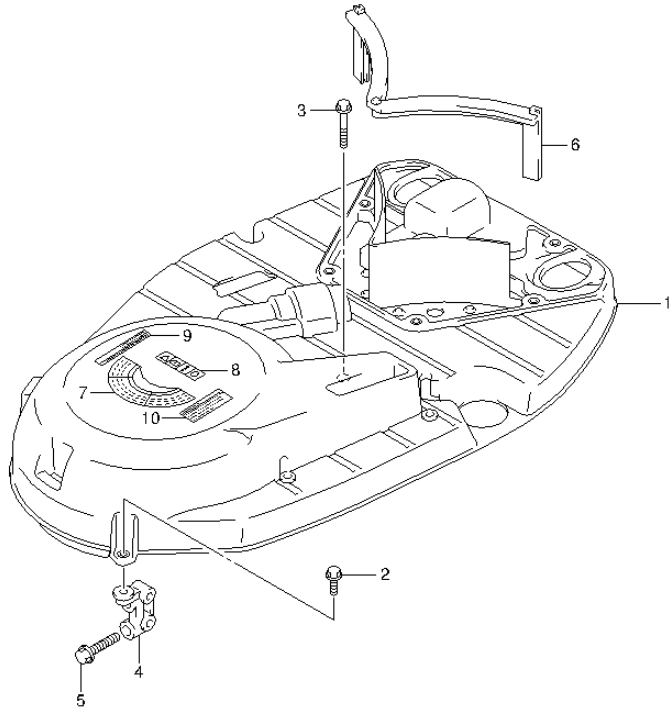


FIG.15 (1-C-9) RING GEAR COVER

REF NO.	PART NO.	DESCRIPTION	Q'TY	REMARKS
1	11510-93J03	COVER, RING GEAR	1	
2	01550-06207	BOLT	2	
3	01550-06407	BOLT	1	
4	11515-93J00	BRACE, RING GEAR COVER	1	
5	01550-08357	BOLT	2	
6	11516-93J00	FLAP, RING GEAR COVER	1	
7	61472-93E32	LABEL, MAG COVER	1	
8	69711-93E10	LABEL, CAUTION (S.I.G.P.)	1	
9	61493-93J00	LABEL, CLEARANCE	1	
10	61494-96J00	LABEL, OIL	1	

FIG.16

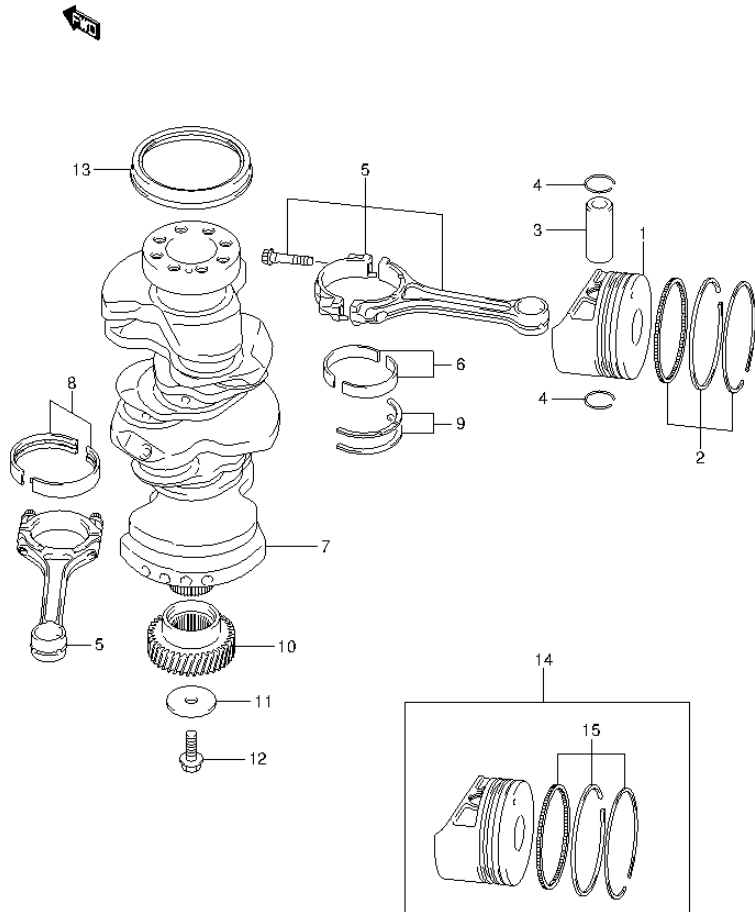


FIG.16 (1-C-10) CRANKSHAFT (DF200T E03)

REF NO.	PART NO.	DESCRIPTION	Q'TY	REMARKS
1	12111-93J02-0B0	PISTON	6	
2	12140-93J00	RING SET, PISTON	6	
3	12151-93J10	PIN, PISTON	6	
4	09381-22010	CIRCLIP	12	
5	12160-93J01	CONNROD ASSY	6	
6-1	12100-98810-0A0	BEARING SET, CONNROD (GREEN)	6	
6-2	12100-98810-025	BEARING SET, CONNROD (US:0.25)	6	OPT
7	12220-93J01	CRANKSHAFT	1	
8-1	12340-86FA2-0B0	BEARING SET, CRANKSHAFT (BLACK)	4	
8-2	12340-86FA2-0C0	BEARING SET, CRANKSHAFT (NON)	4	
8-3	12340-86FA2-0D0	BEARING SET, CRANKSHAFT (YELLOW)	4	
8-4	12340-86FA2-0E0	BEARING SET, CRANKSHAFT (BLUE)	4	
8-5	12340-86FA2-0F0	BEARING SET, CRANKSHAFT (PINK)	4	
8-6	12300-86812-0BA	BEARING SET, CRANKSHAFT (RED/BLACK)	4	OPT
8-7	12300-86812-0CA	BEARING SET, CRANKSHAFT (RED)	4	US:0.25 OPT
8-8	12300-86812-0DA	BEARING SET, CRANKSHAFT (RED/YELLOW)	4	US:0.25 OPT
8-9	12300-86812-0EA	BEARING SET, CRANKSHAFT (RED/BLUE)	4	US:0.25 OPT
8-10	12300-86812-0FA	BEARING SET, CRANKSHAFT (RED/PINK)	4	US:0.25 OPT
9-1	12300-85830	BEARING SET, CRANK THRUST	1	
9-2	12300-85830-012	BEARING SET, CRANK THRUST	1	OPT OS:0.25
10	12242-93J01	GEAR, DRIVE	1	
11	09160-10104	WASHER (10.5X50X3.2)	1	
12	01550-1025A	BOLT	1	
13	09283-91001	OIL SEAL (91X109X10)	1	
14	12100-93J00-050	PISTON SET (OS:0.50)	6	OPT
15	12140-93J00-050	.RING SET, PISTON (OS:0.50)	6	OPT

FIG.17

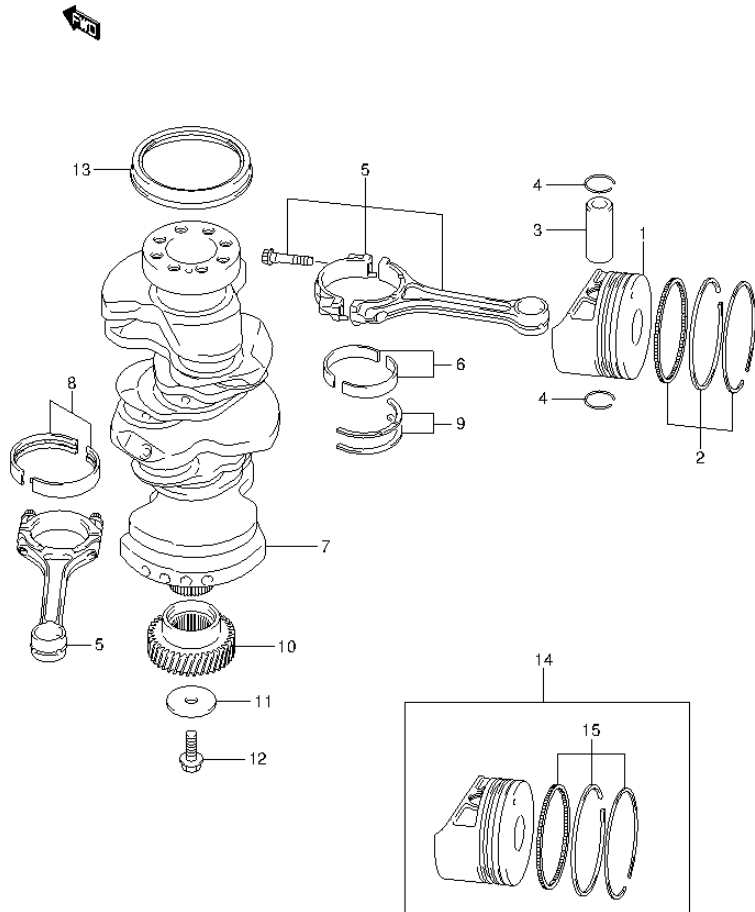


FIG.17 (1-C-11) CRANKSHAFT (DF200Z E03)

REF NO.	PART NO.	DESCRIPTION	Q'TY	REMARKS
1	12111-93J02-0B0	PISTON	6	
2	12140-93J00	RING SET, PISTON	6	
3	12151-93J10	PIN, PISTON	6	
4	09381-22010	CIRCLIP	12	
5	12160-93J01	CONNROD ASSY	6	
6-1	12100-98810-0A0	BEARING SET, CONNROD (GREEN)	6	
6-2	12100-98810-025	BEARING SET, CONNROD (US:0.25)	6	OPT
7	12220-93J01	CRANKSHAFT	1	
8-1	12340-86FA2-0B0	BEARING SET, CRANKSHAFT (BLACK)	4	
8-2	12340-86FA2-0C0	BEARING SET, CRANKSHAFT (NON)	4	
8-3	12340-86FA2-0D0	BEARING SET, CRANKSHAFT (YELLOW)	4	
8-4	12340-86FA2-0E0	BEARING SET, CRANKSHAFT (BLUE)	4	
8-5	12340-86FA2-0F0	BEARING SET, CRANKSHAFT (PINK)	4	
8-6	12300-86812-0BA	BEARING SET, CRANKSHAFT (RED/BLACK)	4	OPT
8-7	12300-86812-0CA	BEARING SET, CRANKSHAFT (RED)	4	US:0.25 OPT
8-8	12300-86812-0DA	BEARING SET, CRANKSHAFT (RED/YELLOW)	4	US:0.25 OPT
8-9	12300-86812-0EA	BEARING SET, CRANKSHAFT (RED/BLUE)	4	US:0.25 OPT
8-10	12300-86812-0FA	BEARING SET, CRANKSHAFT (RED/PINK)	4	US:0.25 OPT
9-1	12300-85830	BEARING SET, CRANK THRUST	1	
9-2	12300-85830-012	BEARING SET, CRANK THRUST	1	OPT OS:0.25
10	12242-93J01	GEAR, DRIVE	1	
11	09160-10104	WASHER (10.5X50X3.2)	1	
12	01550-1025A	BOLT	1	
13	09283-91001	OIL SEAL (91X109X10)	1	
14	12100-93J00-050	PISTON SET (OS:0.50)	6	OPT
15	12140-93J00-050	.RING SET, PISTON (OS:0.50)	6	OPT

FIG.18

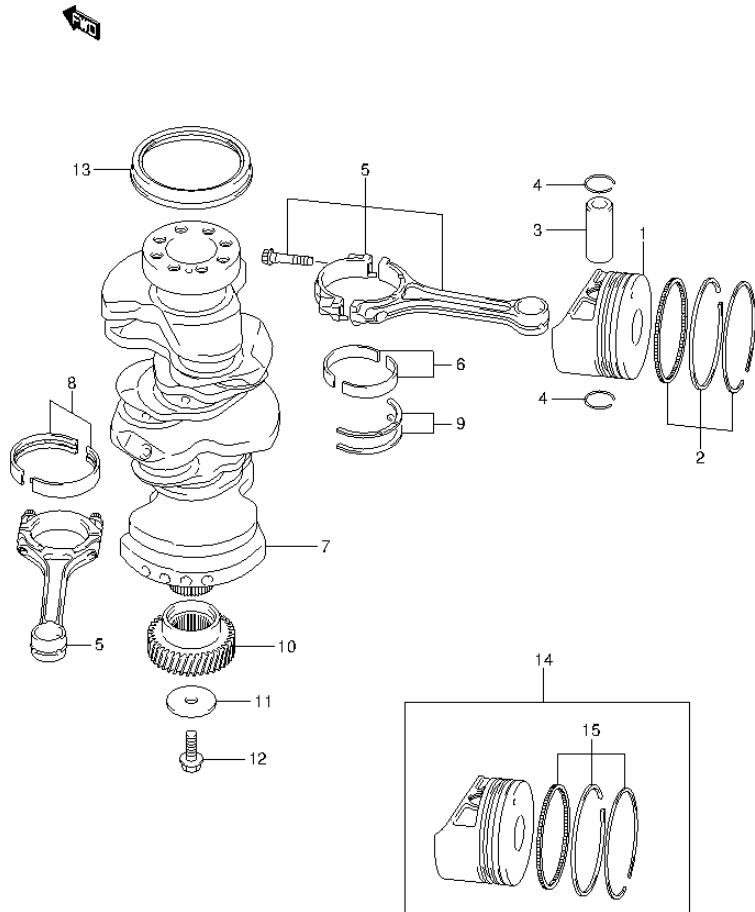


FIG.18 (1-C-12) CRANKSHAFT (DF225T E03)

REF NO.	PART NO.	DESCRIPTION	Q'TY	REMARKS
1	12111-93J02-0B0	PISTON	6	
2	12140-93J00	RING SET, PISTON	6	
3	12151-93J10	PIN, PISTON	6	
4	09381-22010	CIRCLIP	12	
5	12160-93J01	CONNROD ASSY	6	
6-1	12100-98810-0A0	BEARING SET, CONNROD (GREEN)	6	
6-2	12100-98810-025	BEARING SET, CONNROD (US:0.25)	6	OPT
7	12220-93J01	CRANKSHAFT	1	
8-1	12340-86FA2-0B0	BEARING SET, CRANKSHAFT (BLACK)	4	
8-2	12340-86FA2-0C0	BEARING SET, CRANKSHAFT (NON)	4	
8-3	12340-86FA2-0D0	BEARING SET, CRANKSHAFT (YELLOW)	4	
8-4	12340-86FA2-0E0	BEARING SET, CRANKSHAFT (BLUE)	4	
8-5	12340-86FA2-0F0	BEARING SET, CRANKSHAFT (PINK)	4	
8-6	12300-86812-0BA	BEARING SET, CRANKSHAFT (RED/BLACK)	4	OPT
8-7	12300-86812-0CA	BEARING SET, CRANKSHAFT (RED)	4	US:0.25
8-8	12300-86812-0DA	BEARING SET, CRANKSHAFT (RED/YELLOW)	4	OPT
8-9	12300-86812-0EA	BEARING SET, CRANKSHAFT (RED/BLUE)	4	US:0.25
8-10	12300-86812-0FA	BEARING SET, CRANKSHAFT (RED/PINK)	4	OPT
9-1	12300-85830	BEARING SET, CRANK THRUST	1	US:0.25
9-2	12300-85830-012	BEARING SET, CRANK THRUST	1	OPT
10	12242-93J01	GEAR, DRIVE	1	
11	09160-10104	WASHER (10.5X50X3.2)	1	
12	01550-1025A	BOLT	1	
13	09283-91001	OIL SEAL (91X109X10)	1	
14	12100-93J00-050	PISTON SET (OS:0.50)	6	OPT
15	12140-93J00-050	.RING SET, PISTON (OS:0.50)	6	OPT

FIG.19

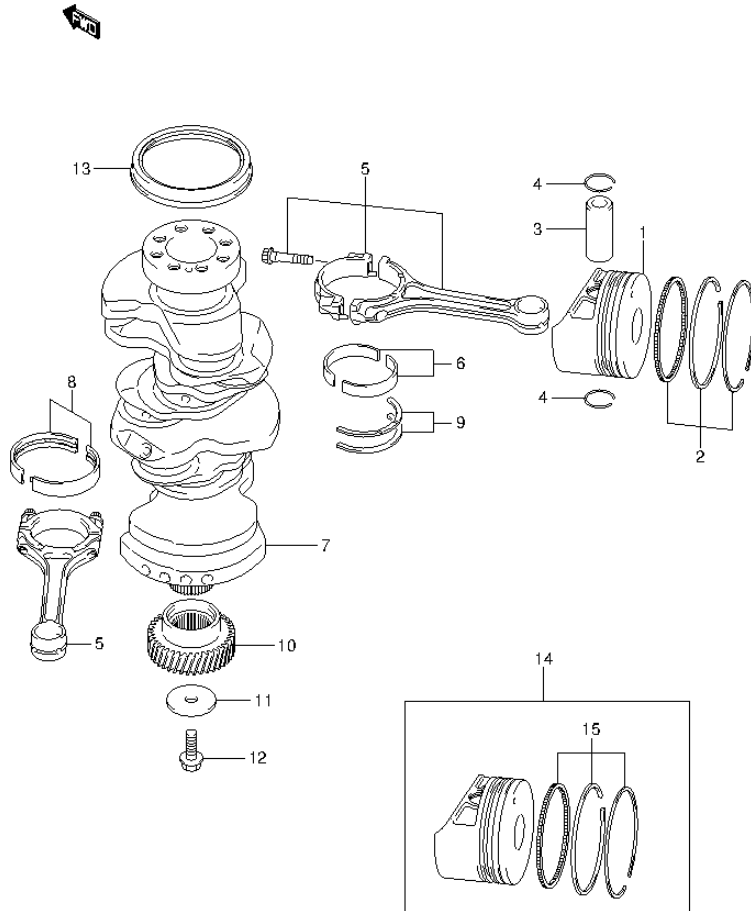


FIG.19 (1-C-13) CRANKSHAFT (DF225Z E03)

REF NO.	PART NO.	DESCRIPTION	Q'TY	REMARKS
1	12111-93J02-0B0	PISTON	6	
2	12140-93J00	RING SET, PISTON	6	
3	12151-93J10	PIN, PISTON	6	
4	09381-22010	CIRCLIP	12	
5	12160-93J01	CONNROD ASSY	6	
6-1	12100-98810-0A0	BEARING SET, CONNROD (GREEN)	6	
6-2	12100-98810-025	BEARING SET, CONNROD (US:0.25)	6	OPT
7	12220-93J01	CRANKSHAFT	1	
8-1	12340-86FA2-0B0	BEARING SET, CRANKSHAFT (BLACK)	4	
8-2	12340-86FA2-0C0	BEARING SET, CRANKSHAFT (NON)	4	
8-3	12340-86FA2-0D0	BEARING SET, CRANKSHAFT (YELLOW)	4	
8-4	12340-86FA2-0E0	BEARING SET, CRANKSHAFT (BLUE)	4	
8-5	12340-86FA2-0F0	BEARING SET, CRANKSHAFT (PINK)	4	
8-6	12300-86812-0BA	BEARING SET, CRANKSHAFT (RED/BLACK)	4	OPT
8-7	12300-86812-0CA	BEARING SET, CRANKSHAFT (RED)	4	US:0.25 OPT
8-8	12300-86812-0DA	BEARING SET, CRANKSHAFT (RED/YELLOW)	4	US:0.25 OPT
8-9	12300-86812-0EA	BEARING SET, CRANKSHAFT (RED/BLUE)	4	US:0.25 OPT
8-10	12300-86812-0FA	BEARING SET, CRANKSHAFT (RED/PINK)	4	US:0.25 OPT
9-1	12300-85830	BEARING SET, CRANK THRUST	1	
9-2	12300-85830-012	BEARING SET, CRANK THRUST	1	OPT OS:0.25
10	12242-93J01	GEAR, DRIVE	1	
11	09160-10104	WASHER (10.5X50X3.2)	1	
12	01550-1025A	BOLT	1	
13	09283-91001	OIL SEAL (91X109X10)	1	
14	12100-93J00-050	PISTON SET (OS:0.50)	6	OPT
15	12140-93J00-050	.RING SET, PISTON (OS:0.50)	6	OPT

FIG.20

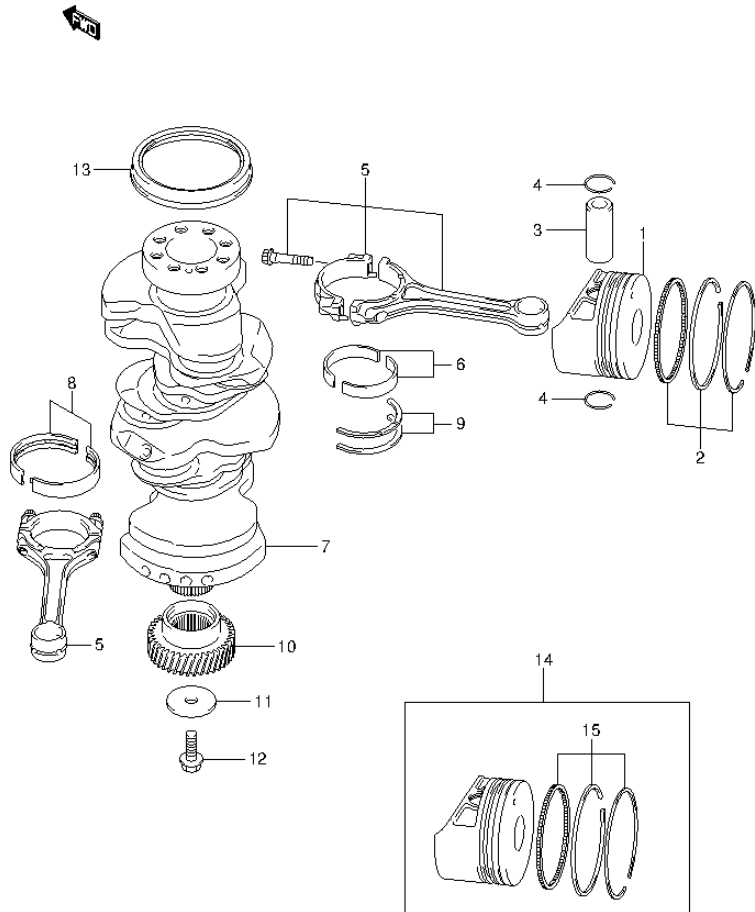


FIG.20 (1-C-14) CRANKSHAFT (DF250T E03)

REF NO.	PART NO.	DESCRIPTION	Q'TY	REMARKS
1	12111-93J02-0B0	PISTON	6	
2	12140-93J00	RING SET, PISTON	6	
3	12151-93J10	PIN, PISTON	6	
4	09381-22010	CIRCLIP	12	
5	12160-93J01	CONNROD ASSY	6	
6-1	12100-98810-0A0	BEARING SET, CONNROD (GREEN)	6	
6-2	12100-98810-025	BEARING SET, CONNROD (US:0.25)	6	OPT
7	12220-93J01	CRANKSHAFT	1	
8-1	12340-86FA2-0B0	BEARING SET, CRANKSHAFT (BLACK)	4	
8-2	12340-86FA2-0C0	BEARING SET, CRANKSHAFT (NON)	4	
8-3	12340-86FA2-0D0	BEARING SET, CRANKSHAFT (YELLOW)	4	
8-4	12340-86FA2-0E0	BEARING SET, CRANKSHAFT (BLUE)	4	
8-5	12340-86FA2-0F0	BEARING SET, CRANKSHAFT (PINK)	4	
8-6	12300-86812-0BA	BEARING SET, CRANKSHAFT (RED/BLACK)	4	OPT
8-7	12300-86812-0CA	BEARING SET, CRANKSHAFT (RED)	4	US:0.25 OPT
8-8	12300-86812-0DA	BEARING SET, CRANKSHAFT (RED/YELLOW)	4	US:0.25 OPT
8-9	12300-86812-0EA	BEARING SET, CRANKSHAFT (RED/BLUE)	4	US:0.25 OPT
8-10	12300-86812-0FA	BEARING SET, CRANKSHAFT (RED/PINK)	4	US:0.25 OPT
9-1	12300-85830	BEARING SET, CRANK THRUST	1	
9-2	12300-85830-012	BEARING SET, CRANK THRUST	1	OPT OS:0.25
10	12242-93J01	GEAR, DRIVE	1	
11	09160-10104	WASHER (10.5X50X3.2)	1	
12	01550-1025A	BOLT	1	
13	09283-91001	OIL SEAL (91X109X10)	1	
14	12100-93J00-050	PISTON SET (OS:0.50)	6	OPT
15	12140-93J00-050	.RING SET, PISTON (OS:0.50)	6	OPT

FIG.21

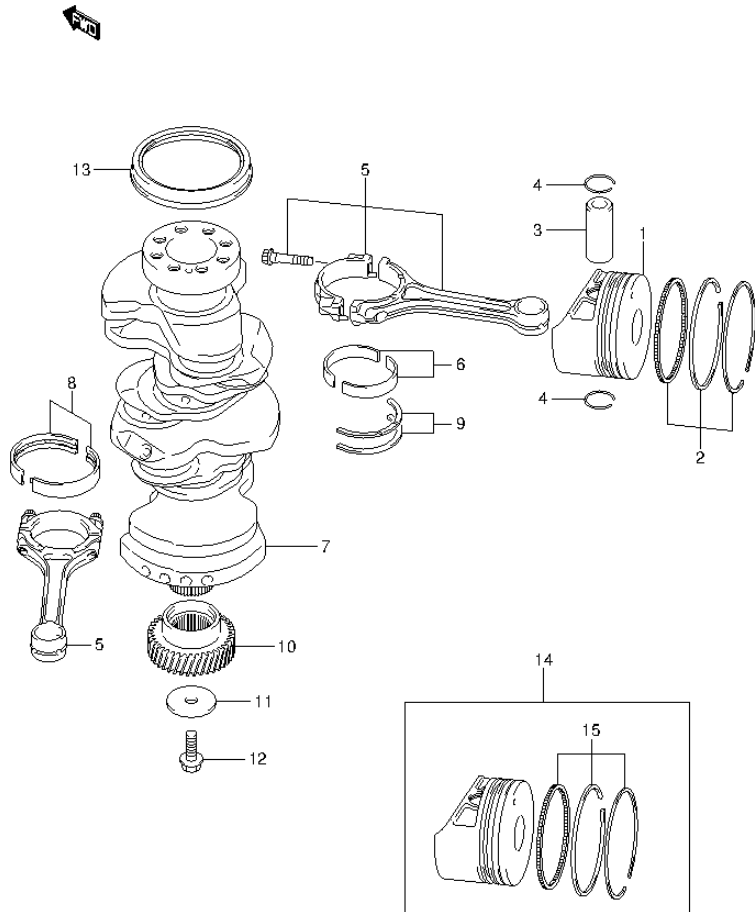


FIG.21 (1-C-15) CRANKSHAFT (DF250Z E03)

REF NO.	PART NO.	DESCRIPTION	Q'TY	REMARKS
1	12111-93J02-0B0	PISTON	6	
2	12140-93J00	RING SET, PISTON	6	
3	12151-93J10	PIN, PISTON	6	
4	09381-22010	CIRCLIP	12	
5	12160-93J01	CONNROD ASSY	6	
6-1	12100-98810-0A0	BEARING SET, CONNROD (GREEN)	6	
6-2	12100-98810-025	BEARING SET, CONNROD (US:0.25)	6	OPT
7	12220-93J01	CRANKSHAFT	1	
8-1	12340-86FA2-0B0	BEARING SET, CRANKSHAFT (BLACK)	4	
8-2	12340-86FA2-0C0	BEARING SET, CRANKSHAFT (NON)	4	
8-3	12340-86FA2-0D0	BEARING SET, CRANKSHAFT (YELLOW)	4	
8-4	12340-86FA2-0E0	BEARING SET, CRANKSHAFT (BLUE)	4	
8-5	12340-86FA2-0F0	BEARING SET, CRANKSHAFT (PINK)	4	
8-6	12300-86812-0BA	BEARING SET, CRANKSHAFT (RED/BLACK)	4	OPT
8-7	12300-86812-0CA	BEARING SET, CRANKSHAFT (RED)	4	US:0.25 OPT
8-8	12300-86812-0DA	BEARING SET, CRANKSHAFT (RED/YELLOW)	4	US:0.25 OPT
8-9	12300-86812-0EA	BEARING SET, CRANKSHAFT (RED/BLUE)	4	US:0.25 OPT
8-10	12300-86812-0FA	BEARING SET, CRANKSHAFT (RED/PINK)	4	US:0.25 OPT
9-1	12300-85830	BEARING SET, CRANK THRUST	1	
9-2	12300-85830-012	BEARING SET, CRANK THRUST	1	OPT OS:0.25
10	12242-93J01	GEAR, DRIVE	1	
11	09160-10104	WASHER (10.5X50X3.2)	1	
12	01550-1025A	BOLT	1	
13	09283-91001	OIL SEAL (91X109X10)	1	
14	12100-93J00-050	PISTON SET (OS:0.50)	6	OPT
15	12140-93J00-050	.RING SET, PISTON (OS:0.50)	6	OPT

FIG.22

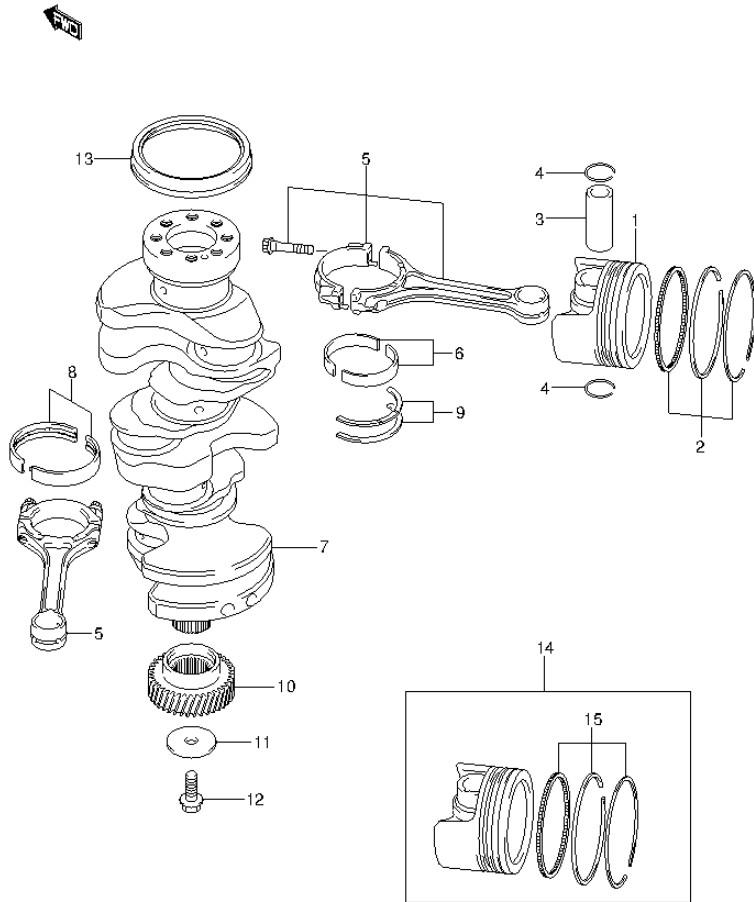


FIG.22 (1-D-2) CRANKSHAFT (DF250ST E03)

REF NO.	PART NO.	DESCRIPTION	Q'TY	REMARKS
1	12111-98J00-0B0	PISTON	6	
2	12140-98J00	RING SET, PISTON	6	
3	12151-02F00	PIN, PISTON	6	
4	09381-22010	CIRCLIP	12	
5	12160-98J00	CONNROD ASSY	6	
6-1	12100-98810-0A0	BEARING SET, CONNROD (GREEN)	6	
6-2	12100-98810-025	BEARING SET, CONNROD (US:0.25)	6	OPT
7	12220-98J00	CRANKSHAFT	1	
8-1	12340-98J00-0A0	BEARING SET, CRANKSHAFT (BLACK)	4	
8-2	12340-98J00-0B0	BEARING SET, CRANKSHAFT (NON)	4	
8-3	12340-98J00-0C0	BEARING SET, CRANKSHAFT (YELLOW)	4	
8-4	12340-98J00-0D0	BEARING SET, CRANKSHAFT (BULE)	4	
8-5	12340-98J00-0E0	BEARING SET, CRANKSHAFT (PINK)	4	
8-6	12300-98810-0AA	BEARING SET, CRANKSHAFT (RED/BLACK)	4	OPT
8-7	12300-98810-0BA	BEARING SET, CRANKSHAFT (RED)	4	US:0.25
8-8	12300-98810-0CA	BEARING SET, CRANKSHAFT (RED/YELLOW)	4	OPT
8-9	12300-98810-0DA	BEARING SET, CRANKSHAFT (RED/BLUE)	4	US:0.25
8-10	12300-98810-0EA	BEARING SET, CRANKSHAFT (RED/PINK)	4	OPT
9-1	12300-98821	BEARING SET, CRANK THRUST	1	
9-2	12300-98821-012	BEARING SET, CRANK THRUST	1	OPT
10	12242-98J00	GEAR, DRIVE	1	OS:0.12
11	09160-10104	WASHER (10.5X50X3.2)	1	
12	01550-1025A	BOLT	1	
13	09283-91001	OIL SEAL (91X109X10)	1	
14	12100-98J00-050	PISTON SET (OS:0.50)	6	OPT
15	12140-98J00-050	.RING SET, PISTON (OS:0.50)	6	OPT

FIG.23

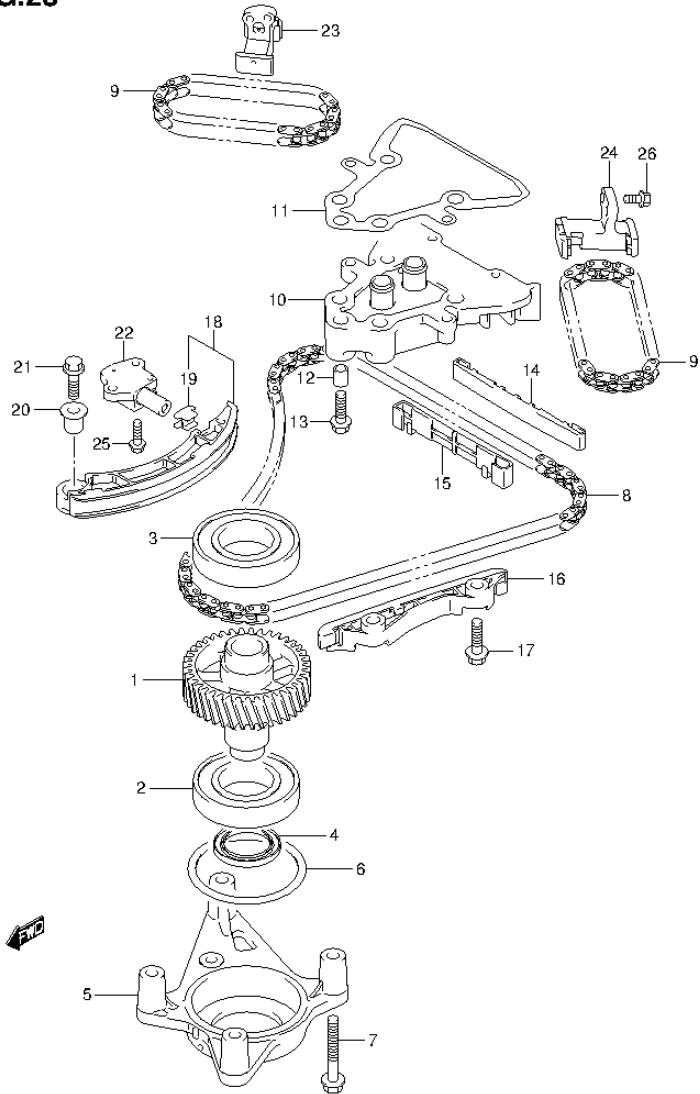


FIG.23 (1-D-3) TIMING CHAIN (DF200T E03)

REF NO.	PART NO.	DESCRIPTION	Q'TY	REMARKS
1	12730-93J01	GEAR, DRIVEN	1	
2	09262-40018	BEARING (40X80X18)	1	LOWER
3	08110-62080	BEARING	1	UPPER
4	09283-32044	OIL SEAL (32X47X6)	1	
5	12734-93J00	HOLDER, DRIVEN GEAR	1	
6	09280-70012	O RING (D:5.7,ID:69.6)	1	
7	01550-0855A	BOLT	4	
8	12761-93J00	CHAIN, TIMING 1ST	1	
9	12762-93J00	CHAIN, TIMING 2ND	2	
10	12770-93J00	BASE, TIMING CHAIN GUIDE NO.1	1	
11	12778-93J00	GASKET, GUIDE BASE	1	
12	04211-13149	PIN	2	
13	01550-0830A	BOLT	2	
14	12771-93J00	SHOE, TIMING CHAIN UPPER	1	
15	12775-93J00	SHOE, TIMING CHAIN LOWER	1	
16	12772-93J00	GUIDE, TIMING CHAIN NO.2	1	
17	01550-0830A	BOLT	2	
18	12810-93J00	TENSIONER ASSY, TIMING CHAIN	1	
19	12813-73G00	.PAD, TIMING CHAIN TENSIONER	1	
20	12812-90J00	SPACER, TIMING CHAIN TENSIONER	1	
21	01550-0830A	BOLT	1	
22	12831-93J01	ADJUSTER ASSY, TENSIONER	1	
23	12832-93J00	TENSIONER ASSY, STBD	1	
24	12833-93J00	TENSIONER ASSY, PORT	1	
25	01550-0620A	BOLT	2	
26	01550-0620A	BOLT	4	

FIG.24

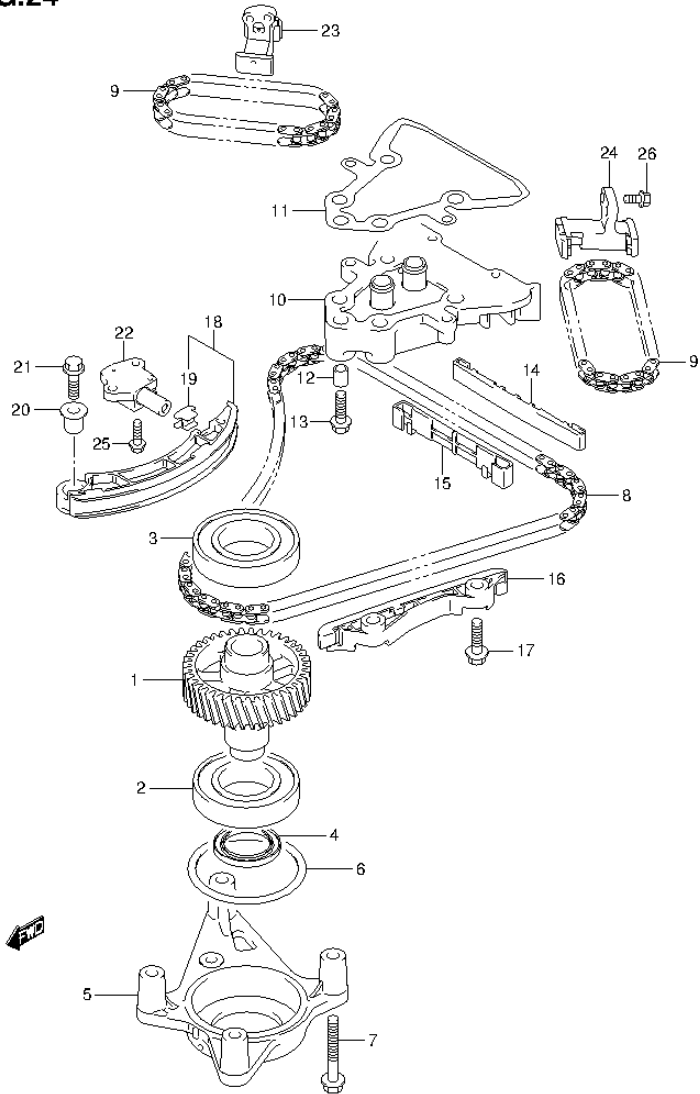


FIG.24 (1-D-4) TIMING CHAIN (DF200Z E03)

REF NO.	PART NO.	DESCRIPTION	Q'TY	REMARKS
1	12730-93J01	GEAR, DRIVEN	1	
2	09262-40018	BEARING (40X80X18)	1	LOWER
3	08110-62080	BEARING	1	UPPER
4	09283-32044	OIL SEAL (32X47X6)	1	
5	12734-93J00	HOLDER, DRIVEN GEAR	1	
6	09280-70012	O RING (D:5.7,ID:69.6)	1	
7	01550-0855A	BOLT	4	
8	12761-93J00	CHAIN, TIMING 1ST	1	
9	12762-93J00	CHAIN, TIMING 2ND	2	
10	12770-93J00	BASE, TIMING CHAIN GUIDE NO.1	1	
11	12778-93J00	GASKET, GUIDE BASE	1	
12	04211-13149	PIN	2	
13	01550-0830A	BOLT	2	
14	12771-93J00	SHOE, TIMING CHAIN UPPER	1	
15	12775-93J00	SHOE, TIMING CHAIN LOWER	1	
16	12772-93J00	GUIDE, TIMING CHAIN NO.2	1	
17	01550-0830A	BOLT	2	
18	12810-93J00	TENSIONER ASSY, TIMING CHAIN	1	
19	12813-73G00	.PAD, TIMING CHAIN TENSIONER	1	
20	12812-90J00	SPACER, TIMING CHAIN TENSIONER	1	
21	01550-0830A	BOLT	1	
22	12831-93J01	ADJUSTER ASSY, TENSIONER	1	
23	12832-93J00	TENSIONER ASSY, STBD	1	
24	12833-93J00	TENSIONER ASSY, PORT	1	
25	01550-0620A	BOLT	2	
26	01550-0620A	BOLT	4	

FIG.25

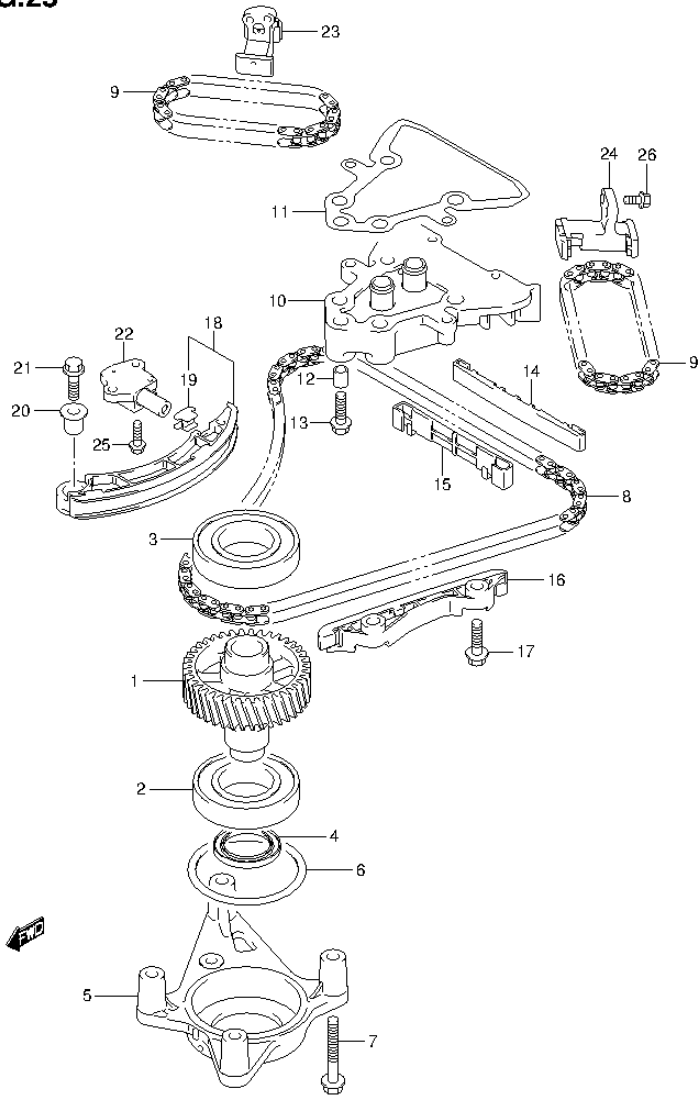


FIG.25 (1-D-5) TIMING CHAIN (DF225T E03)

REF NO.	PART NO.	DESCRIPTION	Q'TY	REMARKS
1	12730-93J01	GEAR, DRIVEN	1	
2	09262-40018	BEARING (40X80X18)	1	LOWER
3	08110-62080	BEARING	1	UPPER
4	09283-32044	OIL SEAL (32X47X6)	1	
5	12734-93J00	HOLDER, DRIVEN GEAR	1	
6	09280-70012	O RING (D:5.7,ID:69.6)	1	
7	01550-0855A	BOLT	4	
8	12761-93J00	CHAIN, TIMING 1ST	1	
9	12762-93J00	CHAIN, TIMING 2ND	2	
10	12770-93J00	BASE, TIMING CHAIN GUIDE NO.1	1	
11	12778-93J00	GASKET, GUIDE BASE	1	
12	04211-13149	PIN	2	
13	01550-0830A	BOLT	2	
14	12771-93J00	SHOE, TIMING CHAIN UPPER	1	
15	12775-93J00	SHOE, TIMING CHAIN LOWER	1	
16	12772-93J00	GUIDE, TIMING CHAIN NO.2	1	
17	01550-0830A	BOLT	2	
18	12810-93J00	TENSIONER ASSY, TIMING CHAIN	1	
19	12813-73G00	.PAD, TIMING CHAIN TENSIONER	1	
20	12812-90J00	SPACER, TIMING CHAIN TENSIONER	1	
21	01550-0830A	BOLT	1	
22	12831-93J01	ADJUSTER ASSY, TENSIONER	1	
23	12832-93J00	TENSIONER ASSY, STBD	1	
24	12833-93J00	TENSIONER ASSY, PORT	1	
25	01550-0620A	BOLT	2	
26	01550-0620A	BOLT	4	

FIG.26

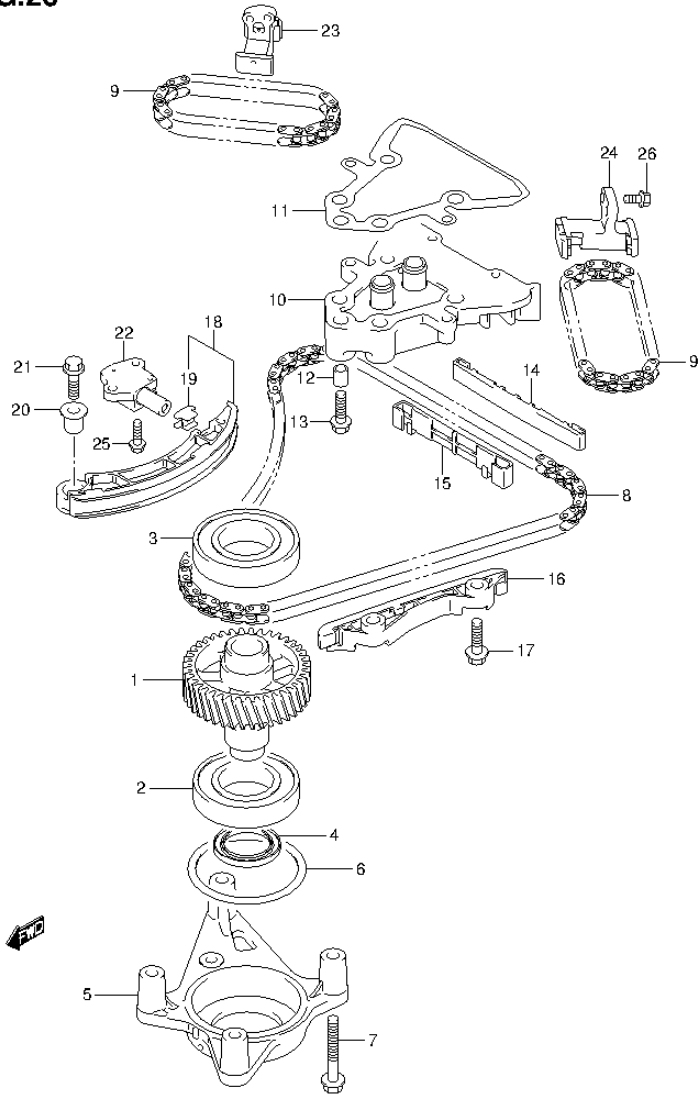


FIG.26 (1-D-6) TIMING CHAIN (DF225Z E03)

REF NO.	PART NO.	DESCRIPTION	Q'TY	REMARKS
1	12730-93J01	GEAR, DRIVEN	1	
2	09262-40018	BEARING (40X80X18)	1	LOWER
3	08110-62080	BEARING	1	UPPER
4	09283-32044	OIL SEAL (32X47X6)	1	
5	12734-93J00	HOLDER, DRIVEN GEAR	1	
6	09280-70012	O RING (D:5.7,ID:69.6)	1	
7	01550-0855A	BOLT	4	
8	12761-93J00	CHAIN, TIMING 1ST	1	
9	12762-93J00	CHAIN, TIMING 2ND	2	
10	12770-93J00	BASE, TIMING CHAIN GUIDE NO.1	1	
11	12778-93J00	GASKET, GUIDE BASE	1	
12	04211-13149	PIN	2	
13	01550-0830A	BOLT	2	
14	12771-93J00	SHOE, TIMING CHAIN UPPER	1	
15	12775-93J00	SHOE, TIMING CHAIN LOWER	1	
16	12772-93J00	GUIDE, TIMING CHAIN NO.2	1	
17	01550-0830A	BOLT	2	
18	12810-93J00	TENSIONER ASSY, TIMING CHAIN	1	
19	12813-73G00	.PAD, TIMING CHAIN TENSIONER	1	
20	12812-90J00	SPACER, TIMING CHAIN TENSIONER	1	
21	01550-0830A	BOLT	1	
22	12831-93J01	ADJUSTER ASSY, TENSIONER	1	
23	12832-93J00	TENSIONER ASSY, STBD	1	
24	12833-93J00	TENSIONER ASSY, PORT	1	
25	01550-0620A	BOLT	2	
26	01550-0620A	BOLT	4	

FIG.27

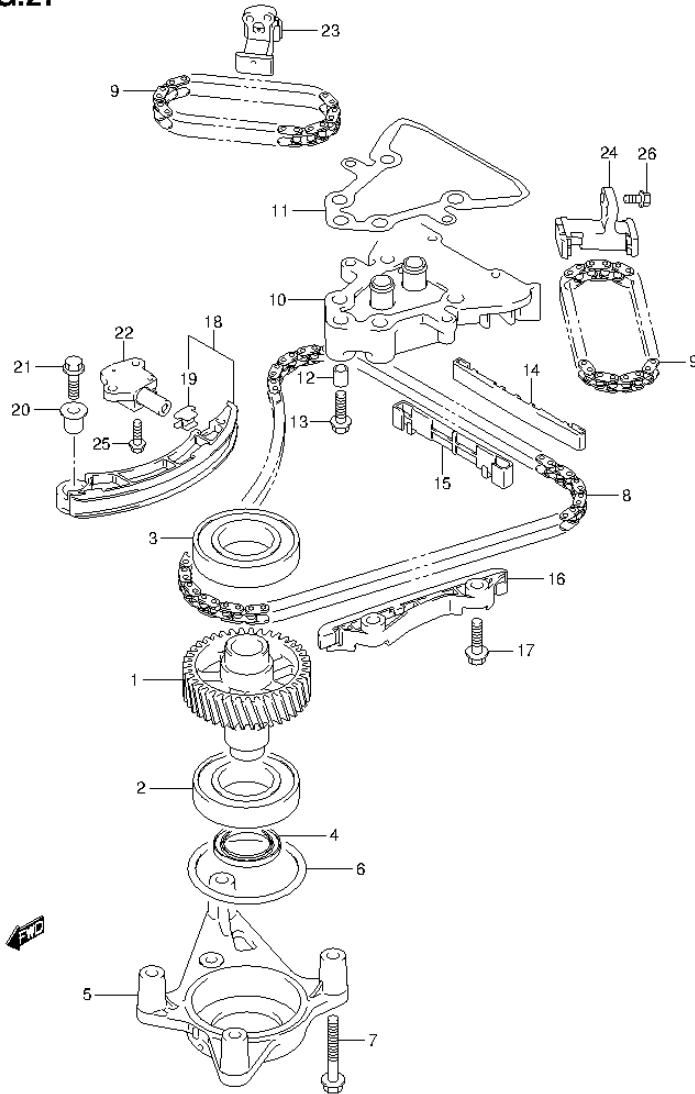


FIG.27 (1-D-7) TIMING CHAIN (DF250T E03)

REF NO.	PART NO.	DESCRIPTION	Q'TY	REMARKS
1	12730-93J01	GEAR, DRIVEN	1	
2	09262-40018	BEARING (40X80X18)	1	LOWER
3	08110-62080	BEARING	1	UPPER
4	09283-32044	OIL SEAL (32X47X6)	1	
5	12734-93J00	HOLDER, DRIVEN GEAR	1	
6	09280-70012	O RING (D:5.7,ID:69.6)	1	
7	01550-0855A	BOLT	4	
8	12761-93J00	CHAIN, TIMING 1ST	1	
9	12762-93J00	CHAIN, TIMING 2ND	2	
10	12770-93J00	BASE, TIMING CHAIN GUIDE NO.1	1	
11	12778-93J00	GASKET, GUIDE BASE	1	
12	04211-13149	PIN	2	
13	01550-0830A	BOLT	2	
14	12771-93J00	SHOE, TIMING CHAIN UPPER	1	
15	12775-93J00	SHOE, TIMING CHAIN LOWER	1	
16	12772-93J00	GUIDE, TIMING CHAIN NO.2	1	
17	01550-0830A	BOLT	2	
18	12810-93J00	TENSIONER ASSY, TIMING CHAIN	1	
19	12813-73G00	.PAD, TIMING CHAIN TENSIONER	1	
20	12812-90J00	SPACER, TIMING CHAIN TENSIONER	1	
21	01550-0830A	BOLT	1	
22	12831-93J01	ADJUSTER ASSY, TENSIONER	1	
23	12832-93J00	TENSIONER ASSY, STBD	1	
24	12833-93J00	TENSIONER ASSY, PORT	1	
25	01550-0620A	BOLT	2	
26	01550-0620A	BOLT	4	

FIG.28

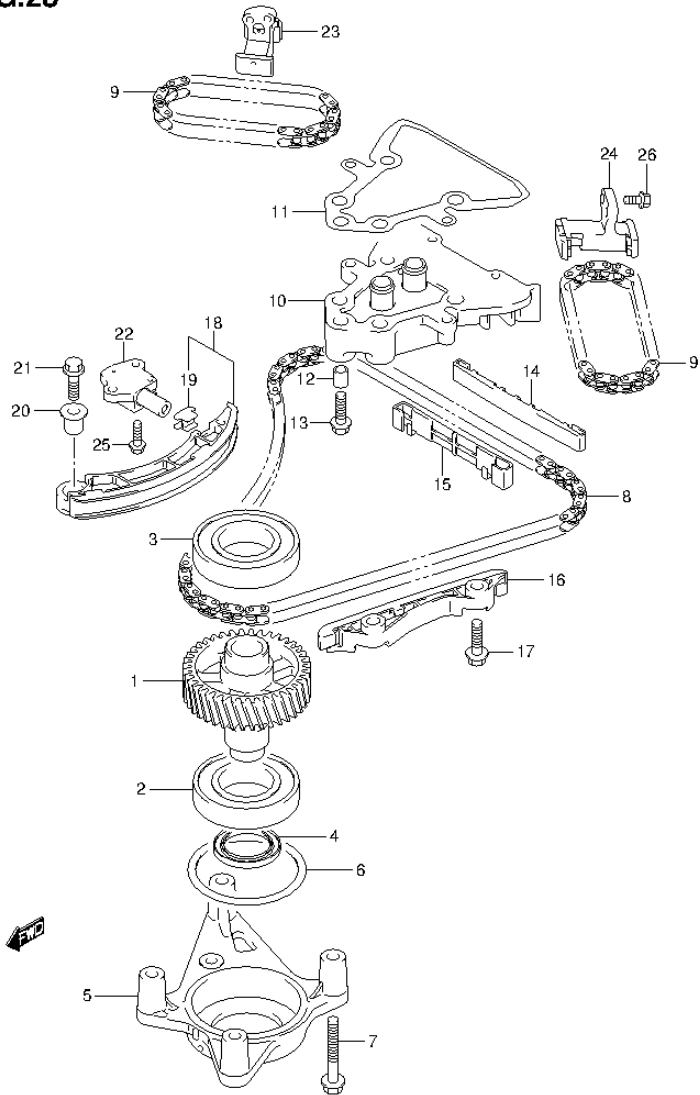


FIG.28 (1-D-8) TIMING CHAIN (DF250Z E03)

REF NO.	PART NO.	DESCRIPTION	Q'TY	REMARKS
1	12730-93J01	GEAR, DRIVEN	1	
2	09262-40018	BEARING (40X80X18)	1	LOWER
3	08110-62080	BEARING	1	UPPER
4	09283-32044	OIL SEAL (32X47X6)	1	
5	12734-93J00	HOLDER, DRIVEN GEAR	1	
6	09280-70012	O RING (D:5.7,ID:69.6)	1	
7	01550-0855A	BOLT	4	
8	12761-93J00	CHAIN, TIMING 1ST	1	
9	12762-93J00	CHAIN, TIMING 2ND	2	
10	12770-93J00	BASE, TIMING CHAIN GUIDE NO.1	1	
11	12778-93J00	GASKET, GUIDE BASE	1	
12	04211-13149	PIN	2	
13	01550-0830A	BOLT	2	
14	12771-93J00	SHOE, TIMING CHAIN UPPER	1	
15	12775-93J00	SHOE, TIMING CHAIN LOWER	1	
16	12772-93J00	GUIDE, TIMING CHAIN NO.2	1	
17	01550-0830A	BOLT	2	
18	12810-93J00	TENSIONER ASSY, TIMING CHAIN	1	
19	12813-73G00	.PAD, TIMING CHAIN TENSIONER	1	
20	12812-90J00	SPACER, TIMING CHAIN TENSIONER	1	
21	01550-0830A	BOLT	1	
22	12831-93J01	ADJUSTER ASSY, TENSIONER	1	
23	12832-93J00	TENSIONER ASSY, STBD	1	
24	12833-93J00	TENSIONER ASSY, PORT	1	
25	01550-0620A	BOLT	2	
26	01550-0620A	BOLT	4	

FIG.29

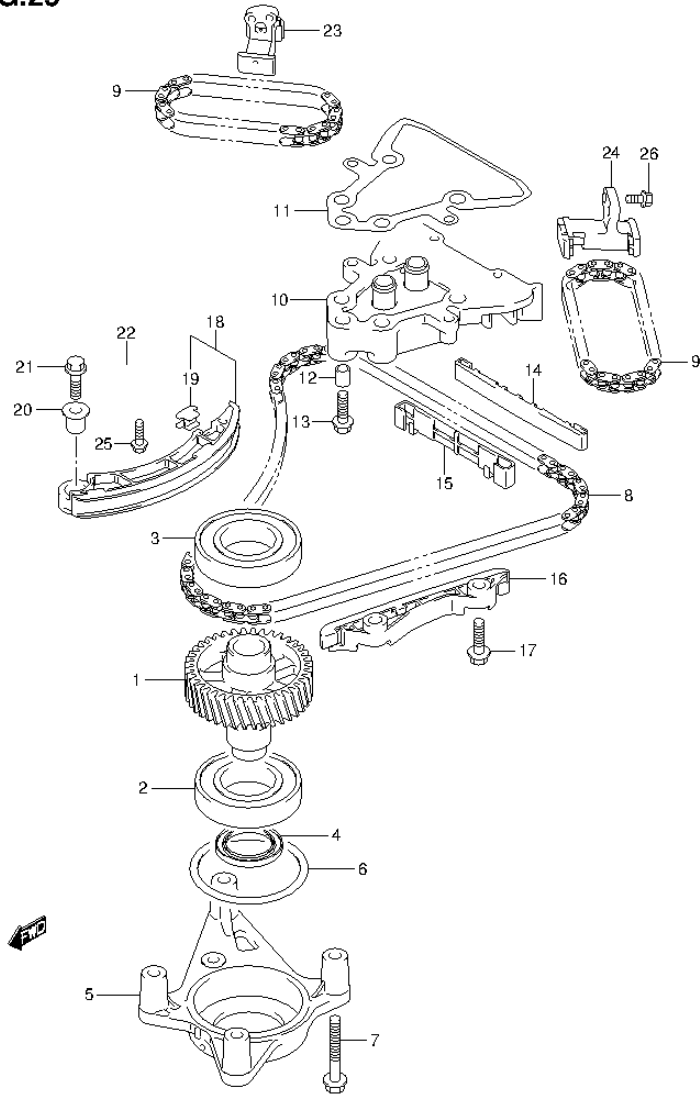


FIG.29 (1-D-9) TIMING CHAIN (DF250ST E03)

REF NO.	PART NO.	DESCRIPTION	Q'TY	REMARKS
1	12730-98J00	GEAR, DRIVEN	1	
2	09262-40018	BEARING (40X80X18)	1	LOWER
3	09262-40017	BEARING (40X80X18)	1	UPPER
4	09283-32044	OIL SEAL (32X47X6)	1	
5	12734-93J00	HOLDER, DRIVEN GEAR	1	
6	09280-70012	O RING (D:5.7,ID:69.6)	1	
7	01550-0855A	BOLT	4	
8	12761-93J00	CHAIN, TIMING 1ST	1	
9	12762-93J00	CHAIN, TIMING 2ND	2	
10	12770-93J00	BASE, TIMING CHAIN GUIDE NO.1	1	
11	12778-93J00	GASKET, GUIDE BASE	1	
12	04211-13149	PIN	2	
13	01550-0830A	BOLT	2	
14	12771-93J00	SHOE, TIMING CHAIN UPPER	1	
15	12775-93J00	SHOE, TIMING CHAIN LOWER	1	
16	12772-93J00	GUIDE, TIMING CHAIN NO.2	1	
17	01550-0830A	BOLT	2	
18	12810-93J00	TENSIONER ASSY, TIMING CHAIN	1	
19	12813-73G00	.PAD, TIMING CHAIN TENSIONER	1	
20	12812-90J00	SPACER, TIMING CHAIN TENSIONER	1	
21	01550-0830A	BOLT	1	
22	12831-93J01	ADJUSTER ASSY, TENSIONER	1	
23	12832-93J00	TENSIONER ASSY, STBD	1	
24	12833-93J00	TENSIONER ASSY, PORT	1	
25	01550-0620A	BOLT	2	
26	01550-0620A	BOLT	4	

FIG.30

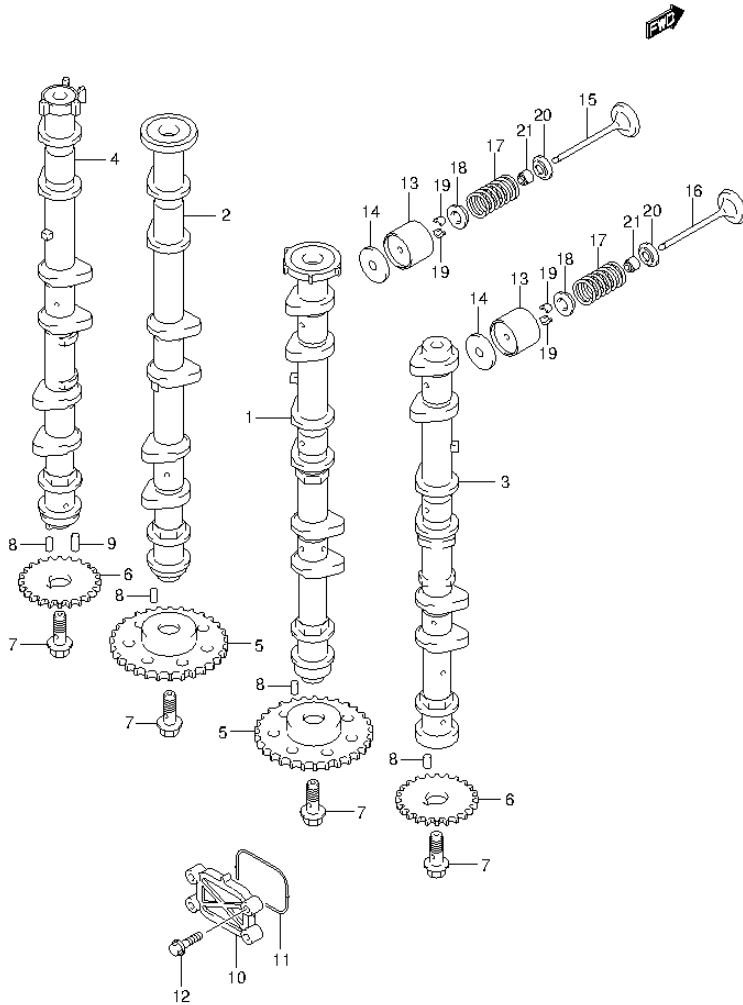


FIG.30 (1-D-10) CAMSHAFT (DF200T E03)

REF NO.	PART NO.	DESCRIPTION	Q'TY	REMARKS
1	12701-93J30	CAMSHAFT, INTAKE STBD	1	
2	12705-93J30	CAMSHAFT, INTAKE PORT	1	
3	12721-93J30	CAMSHAFT, EXH STBD	1	
4	12725-93J30	CAMSHAFT, EXH PORT	1	
5	12742-93J10	SPROCKET, INTAKE CAMSHAFT	2	
6	12748-93J00	SPROCKET, CAMSHAFT	4	
7	12749-93J00	BOLT, CAMSHAFT	4	
8	09202-05032	PIN (5X12)	3	
9	09261-05006	PIN (5X18)	1	
10	16551-93J00	PLATE, OIL CONTROL	2	
11	16559-93J00	GASKET, VALVE	2	
12	01550-06257	BOLT	8	
13	12891-93J00	TAPPET	24	
14-1	12892-93J00-218	SHIM, TAPPET	AR	
14-2	12892-93J00-220	SHIM, TAPPET	AR	
14-3	12892-93J00-223	SHIM, TAPPET	AR	
14-4	12892-93J00-225	SHIM, TAPPET	AR	
14-5	12892-93J00-228	SHIM, TAPPET	AR	
14-6	12892-93J00-230	SHIM, TAPPET	AR	
14-7	12892-93J00-233	SHIM, TAPPET	AR	
14-8	12892-93J00-235	SHIM, TAPPET	AR	
14-9	12892-93J00-238	SHIM, TAPPET	AR	
14-10	12892-93J00-240	SHIM, TAPPET	AR	
14-11	12892-93J00-243	SHIM, TAPPET	AR	
14-12	12892-93J00-245	SHIM, TAPPET	AR	
14-13	12892-93J00-248	SHIM, TAPPET	AR	
14-14	12892-93J00-250	SHIM, TAPPET	AR	
14-15	12892-93J00-253	SHIM, TAPPET	AR	
14-16	12892-93J00-255	SHIM, TAPPET	AR	
14-17	12892-93J00-258	SHIM, TAPPET	AR	
14-18	12892-93J00-260	SHIM, TAPPET	AR	
14-19	12892-93J00-263	SHIM, TAPPET	AR	
14-20	12892-93J00-265	SHIM, TAPPET	AR	
14-21	12892-93J00-268	SHIM, TAPPET	AR	

FIG.30

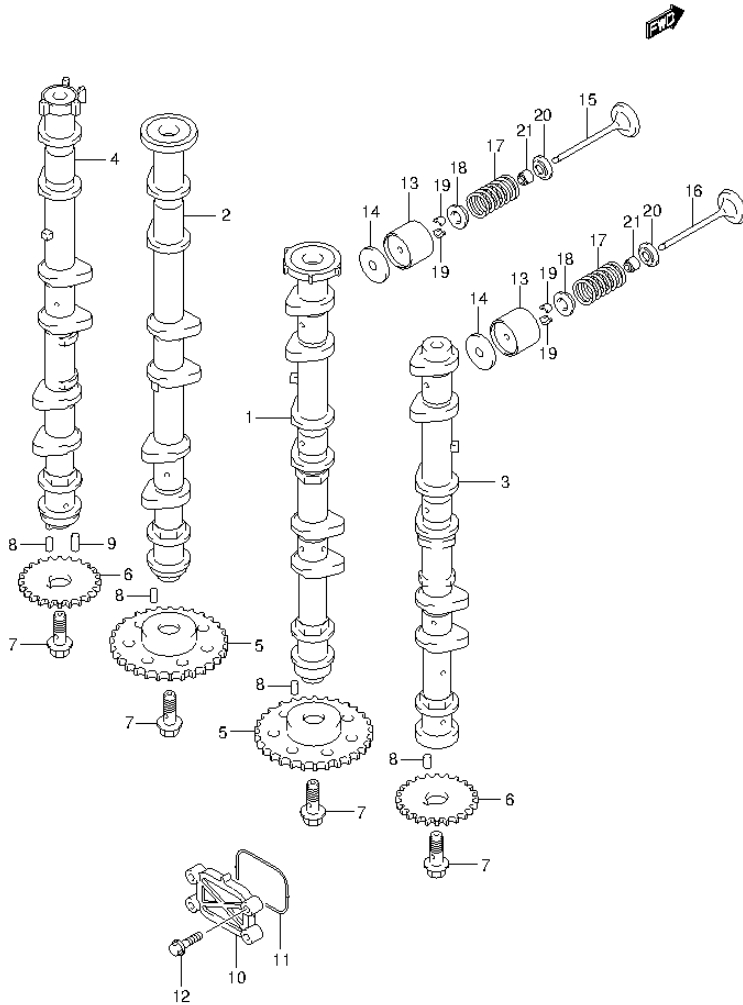


FIG.30 (1-D-11) CAMSHAFT (DF200T E03)

REF NO.	PART NO.	DESCRIPTION	Q'TY	REMARKS
14-22	12892-93J00-270	SHIM, TAPPET	AR	
14-23	12892-93J00-273	SHIM, TAPPET	AR	
14-24	12892-93J00-275	SHIM, TAPPET	AR	
14-25	12892-93J00-278	SHIM, TAPPET	AR	
14-26	12892-93J00-280	SHIM, TAPPET	AR	
14-27	12892-93J00-283	SHIM, TAPPET	AR	
14-28	12892-93J00-285	SHIM, TAPPET	AR	
14-29	12892-93J00-288	SHIM, TAPPET	AR	
14-30	12892-93J00-290	SHIM, TAPPET	AR	
14-31	12892-93J00-293	SHIM, TAPPET	AR	
14-32	12892-93J00-295	SHIM, TAPPET	AR	
14-33	12892-93J00-298	SHIM, TAPPET	AR	
14-34	12892-93J00-300	SHIM, TAPPET	AR	
15	12911-93J00	VALVE, INTAKE	12	
16	12915-93J10	VALVE, EXHAUST	12	
17	12921-93J10	SPRING, VALVE	24	
18	12931-78G00	RETAINER, VALVE SPRING	24	
19	12932-24400	COTTER, VALVE	48	
20	12933-69G10	SEAT, VALVE SPRING	24	
21	09289-05012	OIL SEAL (5.5X11.5X9.3)	24	

FIG.31

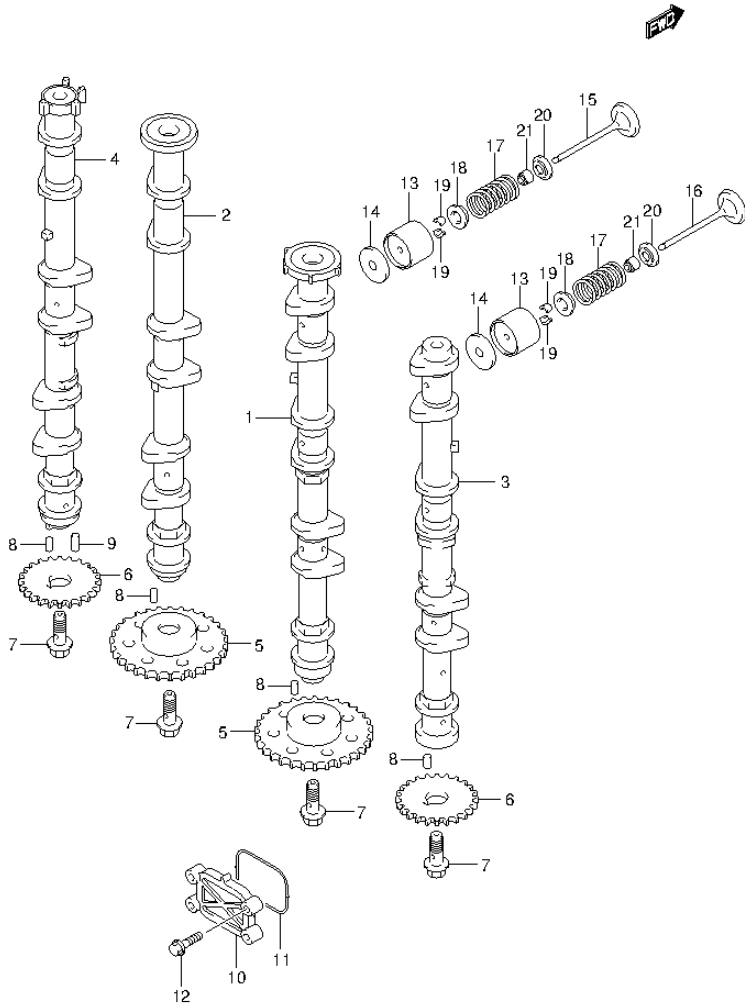


FIG.31 (1-D-12) CAMSHAFT (DF200Z E03)

REF NO.	PART NO.	DESCRIPTION	Q'TY	REMARKS
1	12701-93J30	CAMSHAFT, INTAKE STBD	1	
2	12705-93J30	CAMSHAFT, INTAKE PORT	1	
3	12721-93J30	CAMSHAFT, EXH STBD	1	
4	12725-93J30	CAMSHAFT, EXH PORT	1	
5	12742-93J10	SPROCKET, INTAKE CAMSHAFT	2	
6	12748-93J00	SPROCKET, CAMSHAFT	4	
7	12749-93J00	BOLT, CAMSHAFT	4	
8	09202-05032	PIN (5X12)	3	
9	09261-05006	PIN (5X18)	1	
10	16551-93J00	PLATE, OIL CONTROL	2	
11	16559-93J00	GASKET, VALVE	2	
12	01550-06257	BOLT	8	
13	12891-93J00	TAPPET	24	
14-1	12892-93J00-218	SHIM, TAPPET	AR	
14-2	12892-93J00-220	SHIM, TAPPET	AR	
14-3	12892-93J00-223	SHIM, TAPPET	AR	
14-4	12892-93J00-225	SHIM, TAPPET	AR	
14-5	12892-93J00-228	SHIM, TAPPET	AR	
14-6	12892-93J00-230	SHIM, TAPPET	AR	
14-7	12892-93J00-233	SHIM, TAPPET	AR	
14-8	12892-93J00-235	SHIM, TAPPET	AR	
14-9	12892-93J00-238	SHIM, TAPPET	AR	
14-10	12892-93J00-240	SHIM, TAPPET	AR	
14-11	12892-93J00-243	SHIM, TAPPET	AR	
14-12	12892-93J00-245	SHIM, TAPPET	AR	
14-13	12892-93J00-248	SHIM, TAPPET	AR	
14-14	12892-93J00-250	SHIM, TAPPET	AR	
14-15	12892-93J00-253	SHIM, TAPPET	AR	
14-16	12892-93J00-255	SHIM, TAPPET	AR	
14-17	12892-93J00-258	SHIM, TAPPET	AR	
14-18	12892-93J00-260	SHIM, TAPPET	AR	
14-19	12892-93J00-263	SHIM, TAPPET	AR	
14-20	12892-93J00-265	SHIM, TAPPET	AR	
14-21	12892-93J00-268	SHIM, TAPPET	AR	

FIG.31

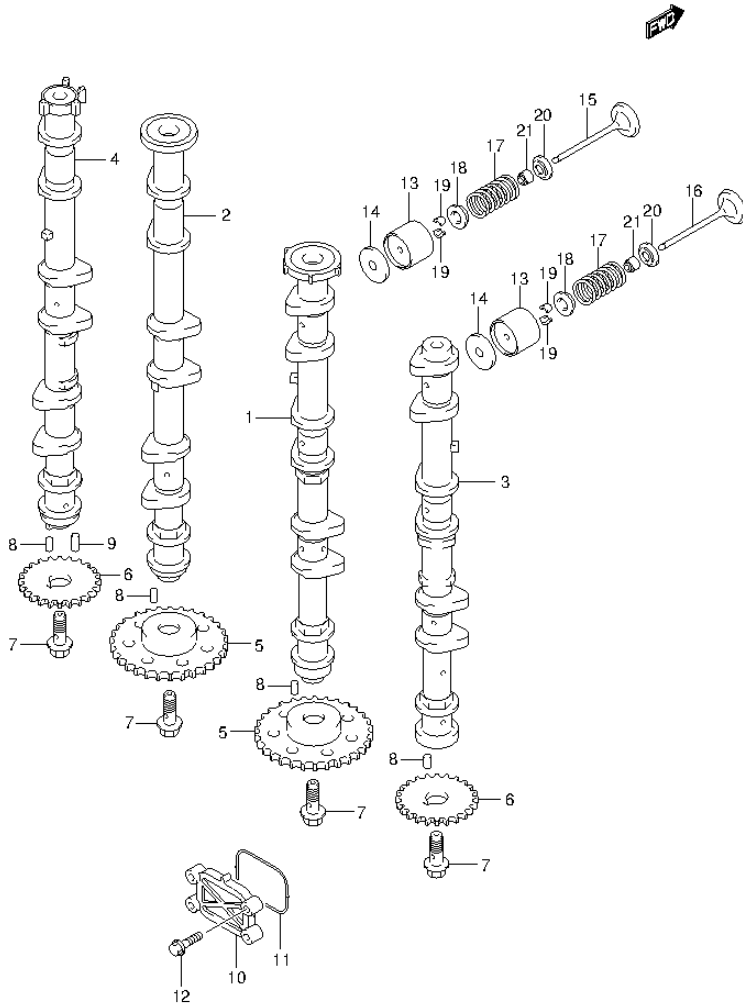


FIG.31 (1-D-13) CAMSHAFT (DF200Z E03)

REF NO.	PART NO.	DESCRIPTION	Q'TY	REMARKS
14-22	12892-93J00-270	SHIM, TAPPET	AR	
14-23	12892-93J00-273	SHIM, TAPPET	AR	
14-24	12892-93J00-275	SHIM, TAPPET	AR	
14-25	12892-93J00-278	SHIM, TAPPET	AR	
14-26	12892-93J00-280	SHIM, TAPPET	AR	
14-27	12892-93J00-283	SHIM, TAPPET	AR	
14-28	12892-93J00-285	SHIM, TAPPET	AR	
14-29	12892-93J00-288	SHIM, TAPPET	AR	
14-30	12892-93J00-290	SHIM, TAPPET	AR	
14-31	12892-93J00-293	SHIM, TAPPET	AR	
14-32	12892-93J00-295	SHIM, TAPPET	AR	
14-33	12892-93J00-298	SHIM, TAPPET	AR	
14-34	12892-93J00-300	SHIM, TAPPET	AR	
15	12911-93J00	VALVE, INTAKE	12	
16	12915-93J10	VALVE, EXHAUST	12	
17	12921-93J10	SPRING, VALVE	24	
18	12931-78G00	RETAINER, VALVE SPRING	24	
19	12932-24400	COTTER, VALVE	48	
20	12933-69G10	SEAT, VALVE SPRING	24	
21	09289-05012	OIL SEAL (5.5X11.5X9.3)	24	

FIG.32

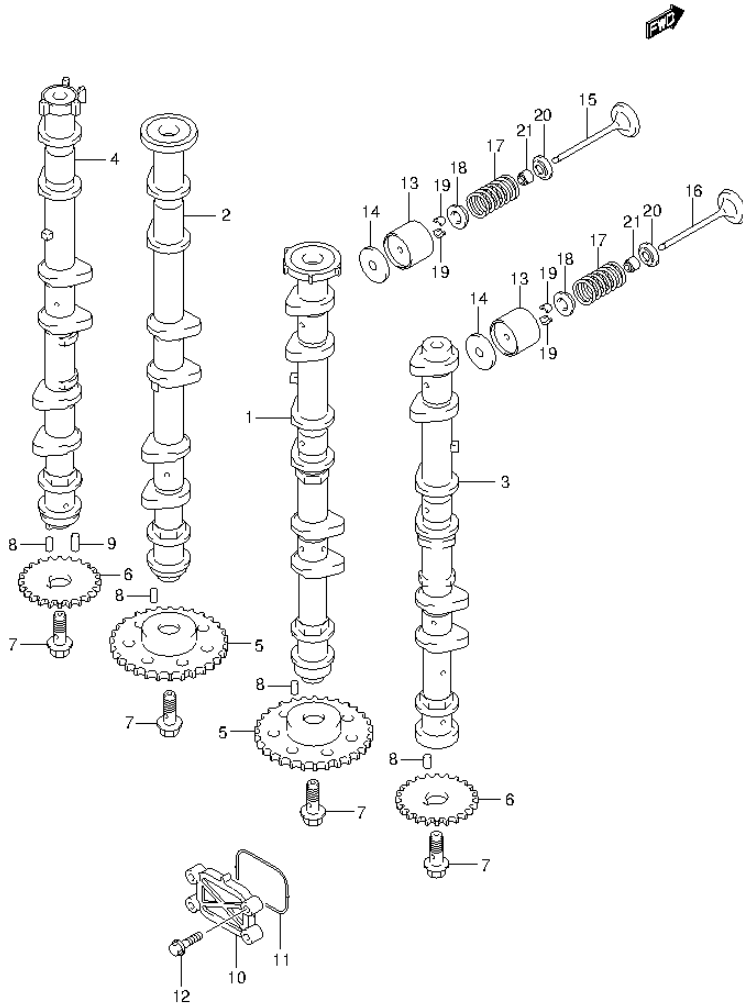


FIG.32 (1-D-14) CAMSHAFT (DF225T E03)

REF NO.	PART NO.	DESCRIPTION	Q'TY	REMARKS
1	12701-93J40	CAMSHAFT, INTAKE STBD	1	
2	12705-93J40	CAMSHAFT, INTAKE PORT	1	
3	12721-93J30	CAMSHAFT, EXH STBD	1	
4	12725-93J30	CAMSHAFT, EXH PORT	1	
5	12742-93J10	SPROCKET, INTAKE CAMSHAFT	2	
6	12748-93J00	SPROCKET, CAMSHAFT	4	
7	12749-93J00	BOLT, CAMSHAFT	4	
8	09202-05032	PIN (5X12)	3	
9	09261-05006	PIN (5X18)	1	
10	16551-93J00	PLATE, OIL CONTROL	2	
11	16559-93J00	GASKET, VALVE	2	
12	01550-06257	BOLT	8	
13	12891-93J00	TAPPET	24	
14-1	12892-93J00-218	SHIM, TAPPET	AR	
14-2	12892-93J00-220	SHIM, TAPPET	AR	
14-3	12892-93J00-223	SHIM, TAPPET	AR	
14-4	12892-93J00-225	SHIM, TAPPET	AR	
14-5	12892-93J00-228	SHIM, TAPPET	AR	
14-6	12892-93J00-230	SHIM, TAPPET	AR	
14-7	12892-93J00-233	SHIM, TAPPET	AR	
14-8	12892-93J00-235	SHIM, TAPPET	AR	
14-9	12892-93J00-238	SHIM, TAPPET	AR	
14-10	12892-93J00-240	SHIM, TAPPET	AR	
14-11	12892-93J00-243	SHIM, TAPPET	AR	
14-12	12892-93J00-245	SHIM, TAPPET	AR	
14-13	12892-93J00-248	SHIM, TAPPET	AR	
14-14	12892-93J00-250	SHIM, TAPPET	AR	
14-15	12892-93J00-253	SHIM, TAPPET	AR	
14-16	12892-93J00-255	SHIM, TAPPET	AR	
14-17	12892-93J00-258	SHIM, TAPPET	AR	
14-18	12892-93J00-260	SHIM, TAPPET	AR	
14-19	12892-93J00-263	SHIM, TAPPET	AR	
14-20	12892-93J00-265	SHIM, TAPPET	AR	
14-21	12892-93J00-268	SHIM, TAPPET	AR	

FIG.32

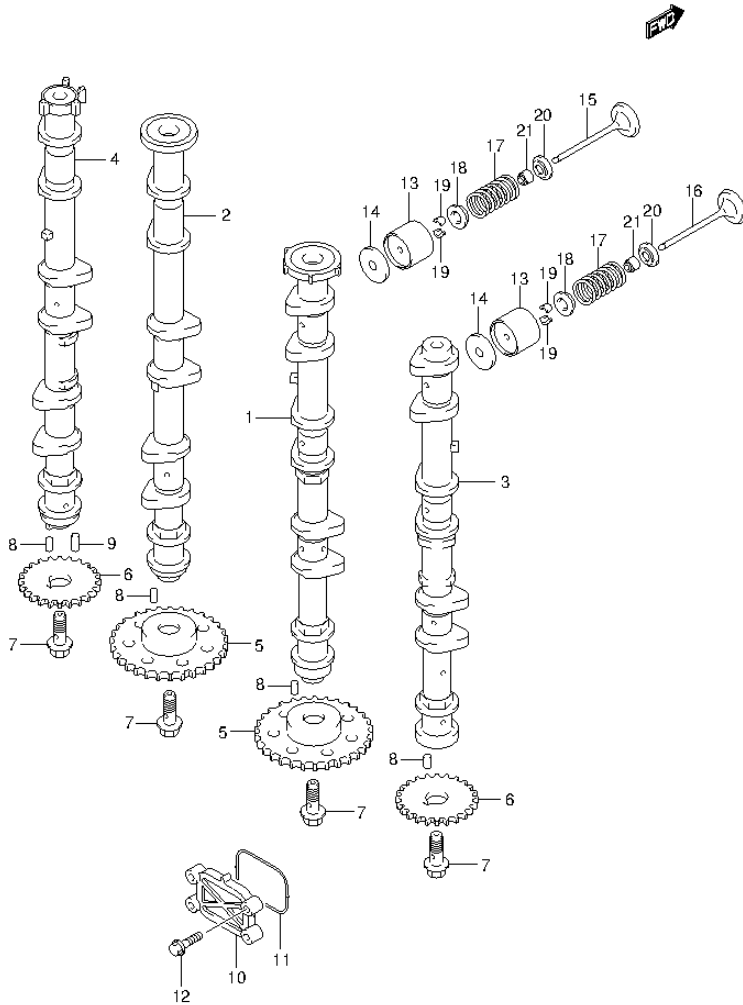


FIG.32 (1-D-15) CAMSHAFT (DF225T E03)

REF NO.	PART NO.	DESCRIPTION	Q'TY	REMARKS
14-22	12892-93J00-270	SHIM, TAPPET	AR	
14-23	12892-93J00-273	SHIM, TAPPET	AR	
14-24	12892-93J00-275	SHIM, TAPPET	AR	
14-25	12892-93J00-278	SHIM, TAPPET	AR	
14-26	12892-93J00-280	SHIM, TAPPET	AR	
14-27	12892-93J00-283	SHIM, TAPPET	AR	
14-28	12892-93J00-285	SHIM, TAPPET	AR	
14-29	12892-93J00-288	SHIM, TAPPET	AR	
14-30	12892-93J00-290	SHIM, TAPPET	AR	
14-31	12892-93J00-293	SHIM, TAPPET	AR	
14-32	12892-93J00-295	SHIM, TAPPET	AR	
14-33	12892-93J00-298	SHIM, TAPPET	AR	
14-34	12892-93J00-300	SHIM, TAPPET	AR	
15	12911-93J00	VALVE, INTAKE	12	
16	12915-93J10	VALVE, EXHAUST	12	
17	12921-93J10	SPRING, VALVE	24	
18	12931-78G00	RETAINER, VALVE SPRING	24	
19	12932-24400	COTTER, VALVE	48	
20	12933-69G10	SEAT, VALVE SPRING	24	
21	09289-05012	OIL SEAL (5.5X11.5X9.3)	24	

FIG.33

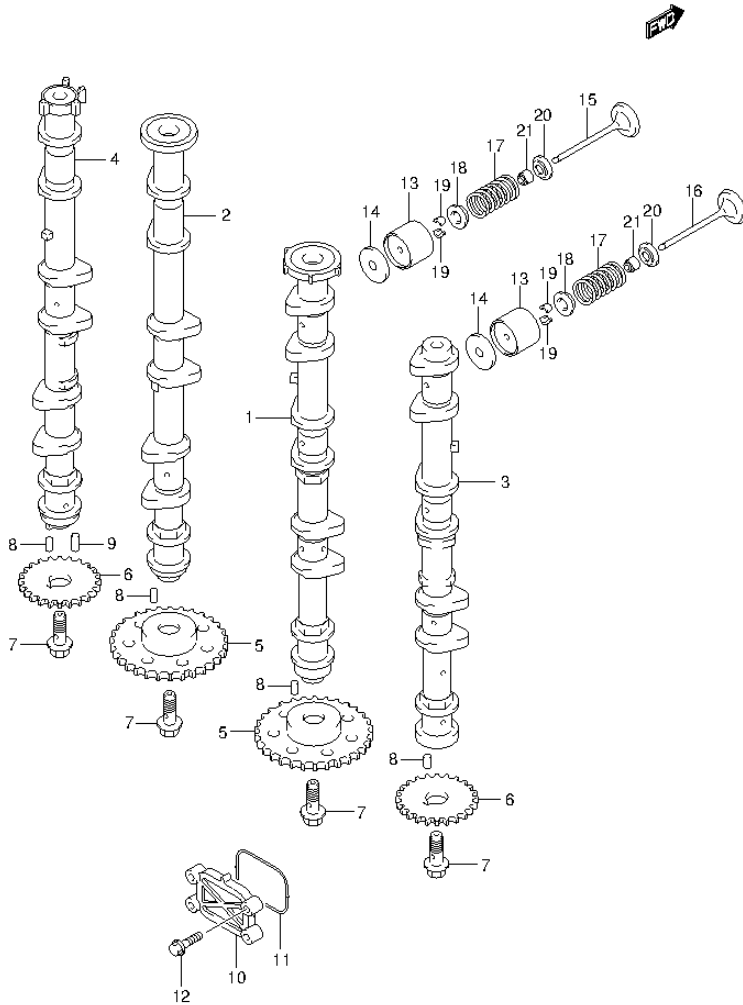


FIG.33 (1-E-2) CAMSHAFT (DF225Z E03)

REF NO.	PART NO.	DESCRIPTION	Q'TY	REMARKS
1	12701-93J40	CAMSHAFT, INTAKE STBD	1	
2	12705-93J40	CAMSHAFT, INTAKE PORT	1	
3	12721-93J30	CAMSHAFT, EXH STBD	1	
4	12725-93J30	CAMSHAFT, EXH PORT	1	
5	12742-93J10	SPROCKET, INTAKE CAMSHAFT	2	
6	12748-93J00	SPROCKET, CAMSHAFT	4	
7	12749-93J00	BOLT, CAMSHAFT	4	
8	09202-05032	PIN (5X12)	3	
9	09261-05006	PIN (5X18)	1	
10	16551-93J00	PLATE, OIL CONTROL	2	
11	16559-93J00	GASKET, VALVE	2	
12	01550-06257	BOLT	8	
13	12891-93J00	TAPPET	24	
14-1	12892-93J00-218	SHIM, TAPPET	AR	
14-2	12892-93J00-220	SHIM, TAPPET	AR	
14-3	12892-93J00-223	SHIM, TAPPET	AR	
14-4	12892-93J00-225	SHIM, TAPPET	AR	
14-5	12892-93J00-228	SHIM, TAPPET	AR	
14-6	12892-93J00-230	SHIM, TAPPET	AR	
14-7	12892-93J00-233	SHIM, TAPPET	AR	
14-8	12892-93J00-235	SHIM, TAPPET	AR	
14-9	12892-93J00-238	SHIM, TAPPET	AR	
14-10	12892-93J00-240	SHIM, TAPPET	AR	
14-11	12892-93J00-243	SHIM, TAPPET	AR	
14-12	12892-93J00-245	SHIM, TAPPET	AR	
14-13	12892-93J00-248	SHIM, TAPPET	AR	
14-14	12892-93J00-250	SHIM, TAPPET	AR	
14-15	12892-93J00-253	SHIM, TAPPET	AR	
14-16	12892-93J00-255	SHIM, TAPPET	AR	
14-17	12892-93J00-258	SHIM, TAPPET	AR	
14-18	12892-93J00-260	SHIM, TAPPET	AR	
14-19	12892-93J00-263	SHIM, TAPPET	AR	
14-20	12892-93J00-265	SHIM, TAPPET	AR	
14-21	12892-93J00-268	SHIM, TAPPET	AR	

FIG.33

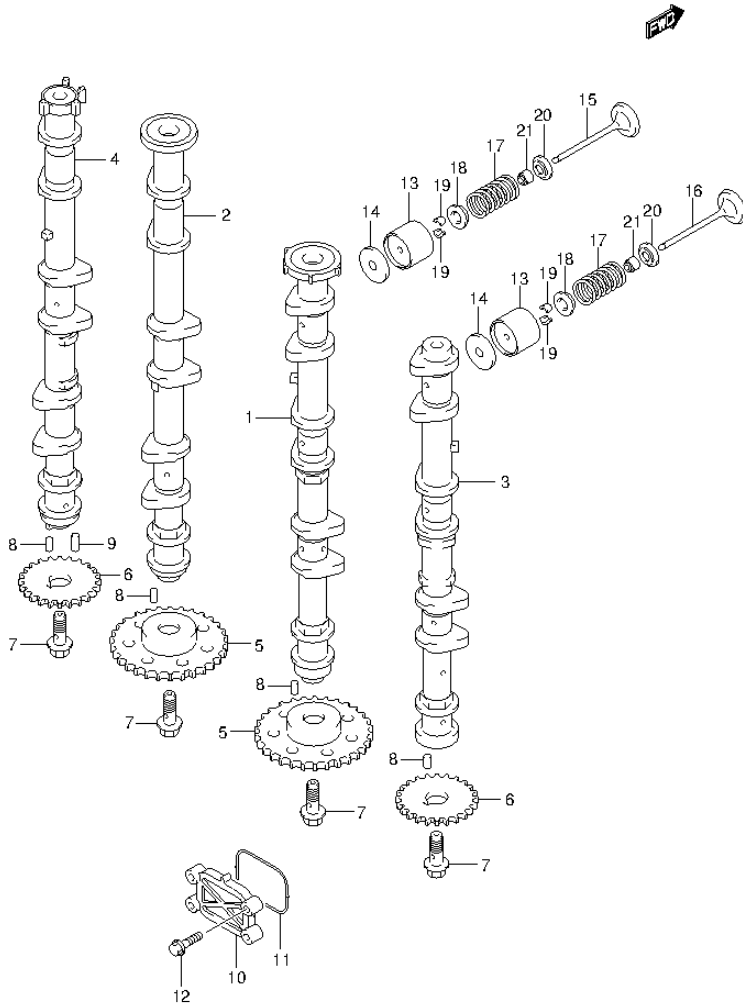


FIG.33 (1-E-3) CAMSHAFT (DF225Z E03)

REF NO.	PART NO.	DESCRIPTION	Q'TY	REMARKS
14-22	12892-93J00-270	SHIM, TAPPET	AR	
14-23	12892-93J00-273	SHIM, TAPPET	AR	
14-24	12892-93J00-275	SHIM, TAPPET	AR	
14-25	12892-93J00-278	SHIM, TAPPET	AR	
14-26	12892-93J00-280	SHIM, TAPPET	AR	
14-27	12892-93J00-283	SHIM, TAPPET	AR	
14-28	12892-93J00-285	SHIM, TAPPET	AR	
14-29	12892-93J00-288	SHIM, TAPPET	AR	
14-30	12892-93J00-290	SHIM, TAPPET	AR	
14-31	12892-93J00-293	SHIM, TAPPET	AR	
14-32	12892-93J00-295	SHIM, TAPPET	AR	
14-33	12892-93J00-298	SHIM, TAPPET	AR	
14-34	12892-93J00-300	SHIM, TAPPET	AR	
15	12911-93J00	VALVE, INTAKE	12	
16	12915-93J10	VALVE, EXHAUST	12	
17	12921-93J10	SPRING, VALVE	24	
18	12931-78G00	RETAINER, VALVE SPRING	24	
19	12932-24400	COTTER, VALVE	48	
20	12933-69G10	SEAT, VALVE SPRING	24	
21	09289-05012	OIL SEAL (5.5X11.5X9.3)	24	

FIG.34

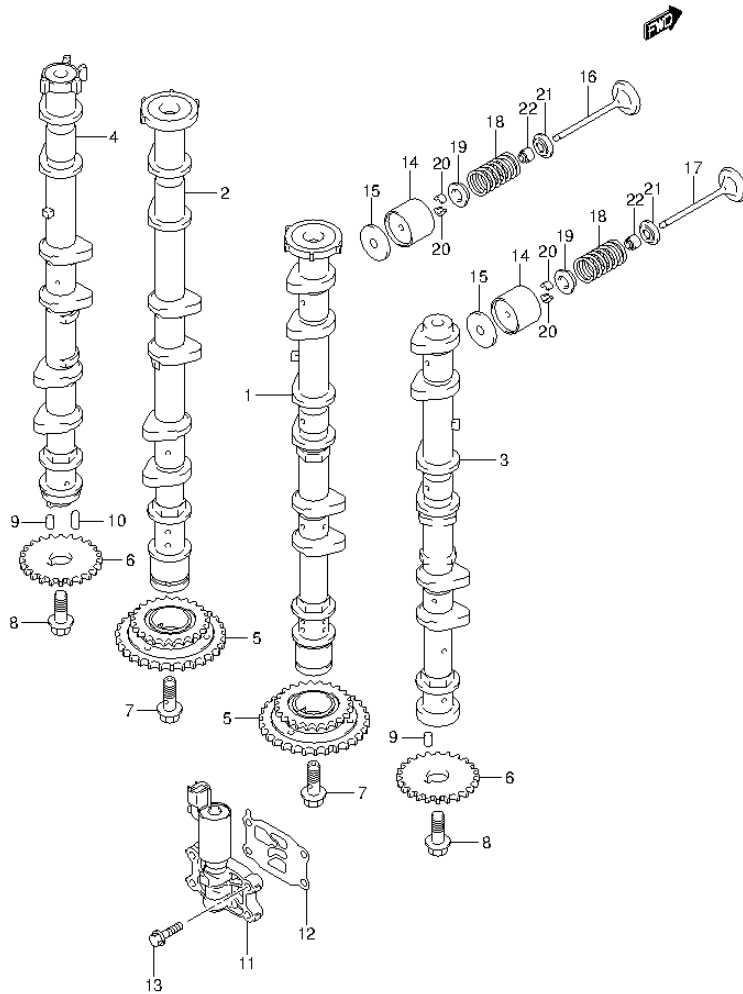


FIG.34 (1-E-4) CAMSHAFT (DF250T E03)

REF NO.	PART NO.	DESCRIPTION	Q'TY	REMARKS
1	12701-93J50	CAMSHAFT, INTAKE STBD	1	
2	12705-93J50	CAMSHAFT, INTAKE PORT	1	
3	12721-93J50	CAMSHAFT, EXH STBD	1	
4	12729-93J50	CAMSHAFT, EXH PORT	1	
5	12740-93J00	SPROCKET ASSY, CAM TIMING	2	
6	12748-93J00	SPROCKET, EXH CAMSHAFT	2	
7	12753-93J00	BOLT, INTAKE CAMSHAFT	2	
8	12749-93J00	BOLT, CAMSHAFT EXHAUST	2	
9	09202-05032	PIN (5X12)	3	
10	09261-05006	PIN (5X18)	1	
11	16550-93J00	VALVE, OIL CONTROL	2	
12	16555-93J00	GASKET, VALVE	2	
13	01550-06257	BOLT	8	
14	12891-93J00	TAPPET	24	
15-1	12892-93J00-218	SHIM, TAPPET	AR	
15-2	12892-93J00-220	SHIM, TAPPET	AR	
15-3	12892-93J00-223	SHIM, TAPPET	AR	
15-4	12892-93J00-225	SHIM, TAPPET	AR	
15-5	12892-93J00-228	SHIM, TAPPET	AR	
15-6	12892-93J00-230	SHIM, TAPPET	AR	
15-7	12892-93J00-233	SHIM, TAPPET	AR	
15-8	12892-93J00-235	SHIM, TAPPET	AR	
15-9	12892-93J00-238	SHIM, TAPPET	AR	
15-10	12892-93J00-240	SHIM, TAPPET	AR	
15-11	12892-93J00-243	SHIM, TAPPET	AR	
15-12	12892-93J00-245	SHIM, TAPPET	AR	
15-13	12892-93J00-248	SHIM, TAPPET	AR	
15-14	12892-93J00-250	SHIM, TAPPET	AR	
15-15	12892-93J00-253	SHIM, TAPPET	AR	
15-16	12892-93J00-255	SHIM, TAPPET	AR	
15-17	12892-93J00-258	SHIM, TAPPET	AR	
15-18	12892-93J00-260	SHIM, TAPPET	AR	
15-19	12892-93J00-263	SHIM, TAPPET	AR	
15-20	12892-93J00-265	SHIM, TAPPET	AR	

FIG.34

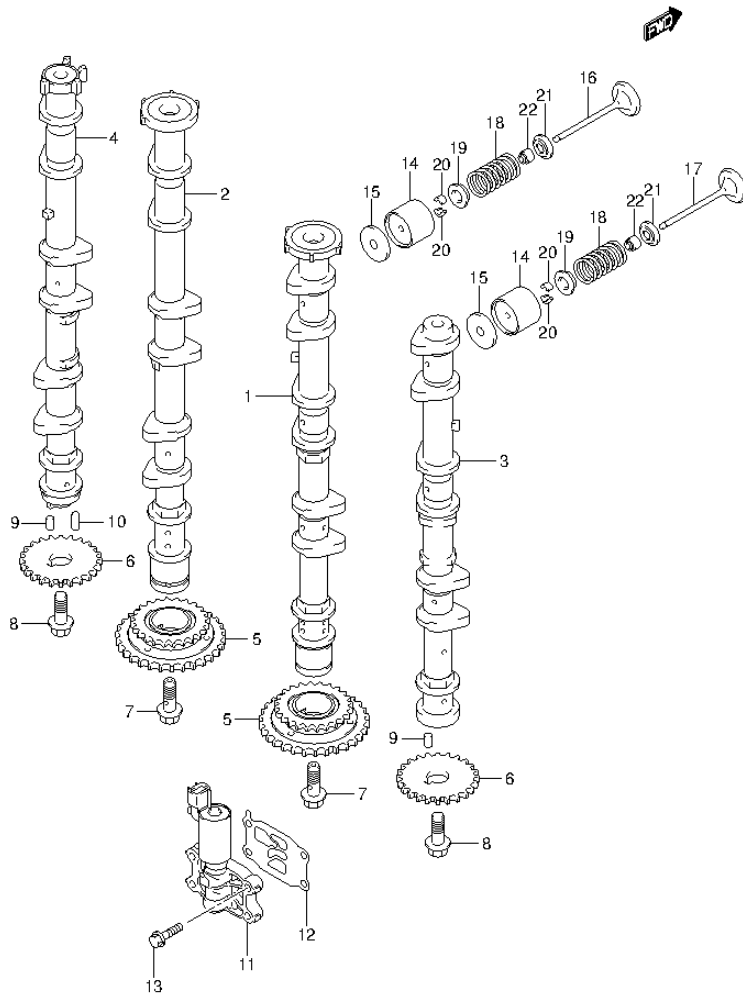


FIG.34 (1-E-5) CAMSHAFT (DF250T E03)

REF NO.	PART NO.	DESCRIPTION	Q'TY	REMARKS
15-21	12892-93J00-268	SHIM, TAPPET	AR	
15-22	12892-93J00-270	SHIM, TAPPET	AR	
15-23	12892-93J00-273	SHIM, TAPPET	AR	
15-24	12892-93J00-275	SHIM, TAPPET	AR	
15-25	12892-93J00-278	SHIM, TAPPET	AR	
15-26	12892-93J00-280	SHIM, TAPPET	AR	
15-27	12892-93J00-283	SHIM, TAPPET	AR	
15-28	12892-93J00-285	SHIM, TAPPET	AR	
15-29	12892-93J00-288	SHIM, TAPPET	AR	
15-30	12892-93J00-290	SHIM, TAPPET	AR	
15-31	12892-93J00-293	SHIM, TAPPET	AR	
15-32	12892-93J00-295	SHIM, TAPPET	AR	
15-33	12892-93J00-298	SHIM, TAPPET	AR	
15-34	12892-93J00-300	SHIM, TAPPET	AR	
16	12911-93J00	VALVE, INTAKE	12	
17	12915-93J10	VALVE, EXHAUST	12	
18	12921-93J10	SPRING, VALVE	24	
19	12931-78G00	RETAINER, VALVE SPRING	24	
20	12932-24400	COTTER, VALVE	48	
21	12933-69G10	SEAT, VALVE SPRING	24	
22	09289-05012	OIL SEAL (5.5X11.5X9.3)	24	

FIG.35

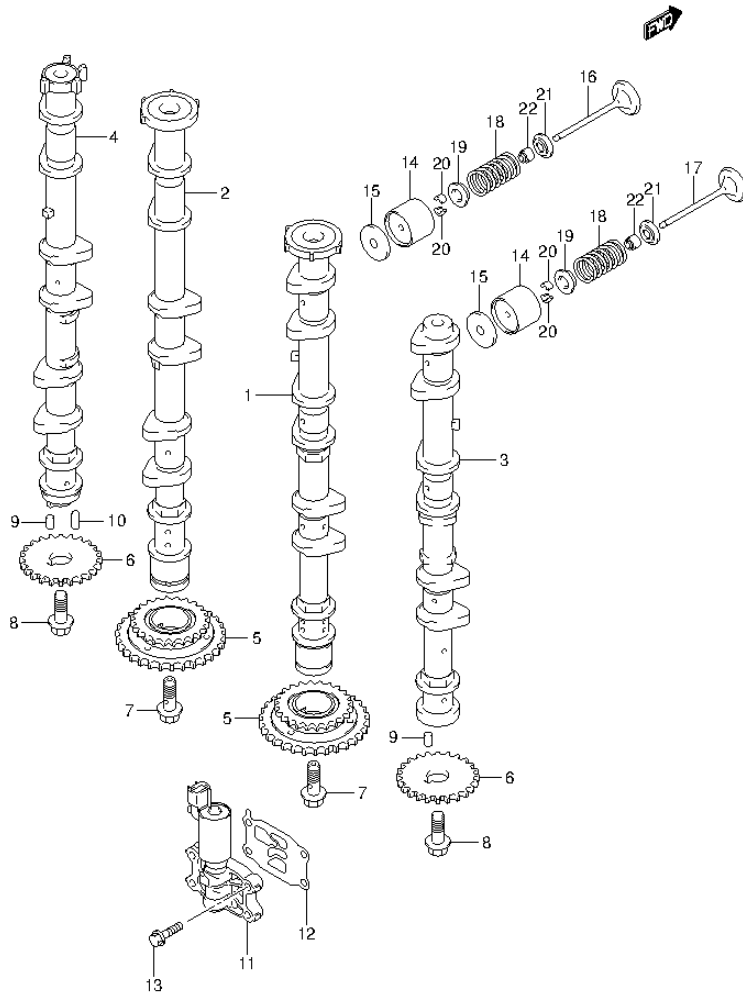


FIG.35 (1-E-6) CAMSHAFT (DF250Z E03)

REF NO.	PART NO.	DESCRIPTION	Q'TY	REMARKS
1	12701-93J50	CAMSHAFT, INTAKE STBD	1	
2	12705-93J50	CAMSHAFT, INTAKE PORT	1	
3	12721-93J50	CAMSHAFT, EXH STBD	1	
4	12729-93J50	CAMSHAFT, EXH PORT	1	
5	12740-93J00	SPROCKET ASSY, CAM TIMING	2	
6	12748-93J00	SPROCKET, EXH CAMSHAFT	2	
7	12753-93J00	BOLT, INTAKE CAMSHAFT	2	
8	12749-93J00	BOLT, CAMSHAFT EXHAUST	2	
9	09202-05032	PIN (5X12)	3	
10	09261-05006	PIN (5X18)	1	
11	16550-93J00	VALVE, OIL CONTROL	2	
12	16555-93J00	GASKET, VALVE	2	
13	01550-06257	BOLT	8	
14	12891-93J00	TAPPET	24	
15-1	12892-93J00-218	SHIM, TAPPET	AR	
15-2	12892-93J00-220	SHIM, TAPPET	AR	
15-3	12892-93J00-223	SHIM, TAPPET	AR	
15-4	12892-93J00-225	SHIM, TAPPET	AR	
15-5	12892-93J00-228	SHIM, TAPPET	AR	
15-6	12892-93J00-230	SHIM, TAPPET	AR	
15-7	12892-93J00-233	SHIM, TAPPET	AR	
15-8	12892-93J00-235	SHIM, TAPPET	AR	
15-9	12892-93J00-238	SHIM, TAPPET	AR	
15-10	12892-93J00-240	SHIM, TAPPET	AR	
15-11	12892-93J00-243	SHIM, TAPPET	AR	
15-12	12892-93J00-245	SHIM, TAPPET	AR	
15-13	12892-93J00-248	SHIM, TAPPET	AR	
15-14	12892-93J00-250	SHIM, TAPPET	AR	
15-15	12892-93J00-253	SHIM, TAPPET	AR	
15-16	12892-93J00-255	SHIM, TAPPET	AR	
15-17	12892-93J00-258	SHIM, TAPPET	AR	
15-18	12892-93J00-260	SHIM, TAPPET	AR	
15-19	12892-93J00-263	SHIM, TAPPET	AR	
15-20	12892-93J00-265	SHIM, TAPPET	AR	

FIG.35

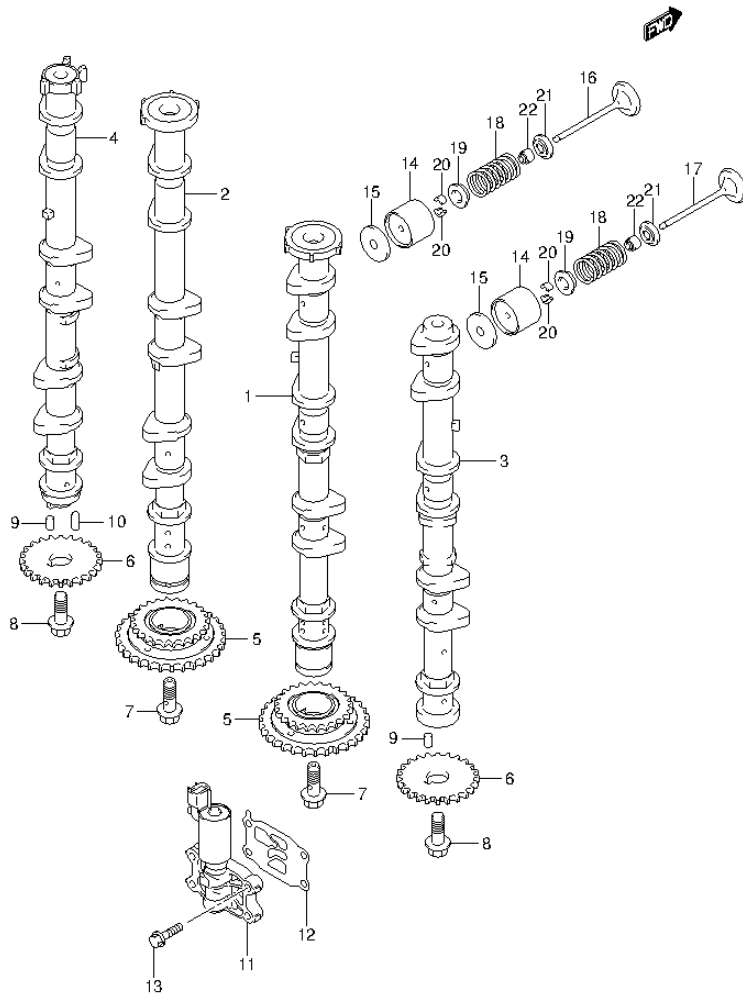


FIG.35 (1-E-7) CAMSHAFT (DF250Z E03)

REF NO.	PART NO.	DESCRIPTION	Q'TY	REMARKS
15-21	12892-93J00-268	SHIM, TAPPET	AR	
15-22	12892-93J00-270	SHIM, TAPPET	AR	
15-23	12892-93J00-273	SHIM, TAPPET	AR	
15-24	12892-93J00-275	SHIM, TAPPET	AR	
15-25	12892-93J00-278	SHIM, TAPPET	AR	
15-26	12892-93J00-280	SHIM, TAPPET	AR	
15-27	12892-93J00-283	SHIM, TAPPET	AR	
15-28	12892-93J00-285	SHIM, TAPPET	AR	
15-29	12892-93J00-288	SHIM, TAPPET	AR	
15-30	12892-93J00-290	SHIM, TAPPET	AR	
15-31	12892-93J00-293	SHIM, TAPPET	AR	
15-32	12892-93J00-295	SHIM, TAPPET	AR	
15-33	12892-93J00-298	SHIM, TAPPET	AR	
15-34	12892-93J00-300	SHIM, TAPPET	AR	
16	12911-93J00	VALVE, INTAKE	12	
17	12915-93J10	VALVE, EXHAUST	12	
18	12921-93J10	SPRING, VALVE	24	
19	12931-78G00	RETAINER, VALVE SPRING	24	
20	12932-24400	COTTER, VALVE	48	
21	12933-69G10	SEAT, VALVE SPRING	24	
22	09289-05012	OIL SEAL (5.5X11.5X9.3)	24	

FIG.36

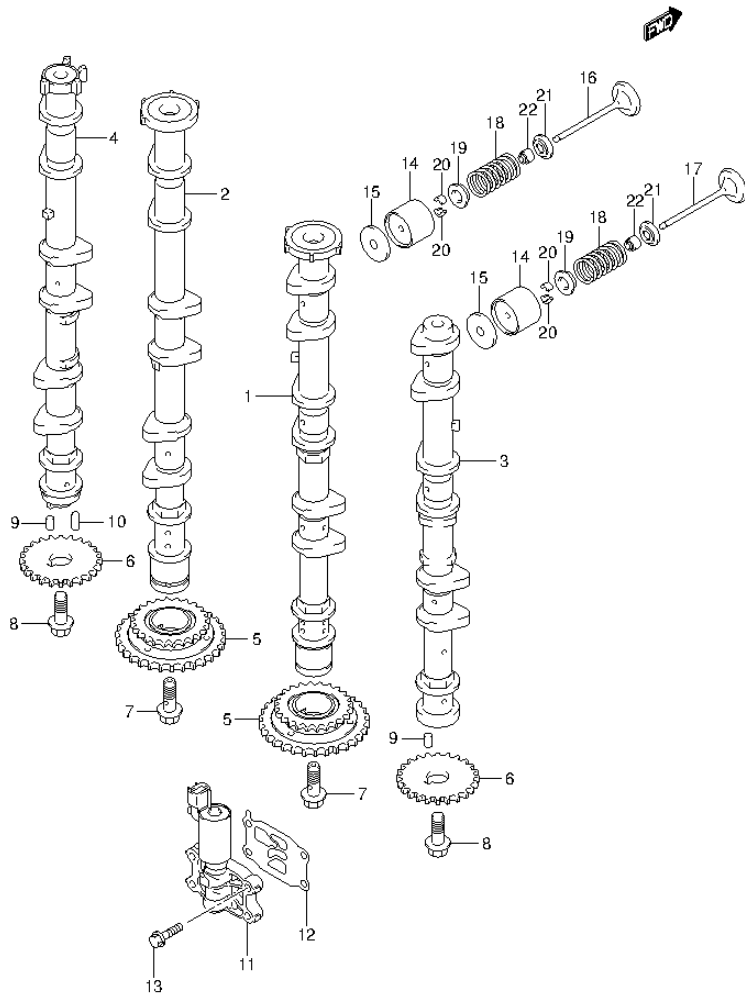


FIG.36 (1-E-8) CAMSHAFT (DF250ST E03)

REF NO.	PART NO.	DESCRIPTION	Q'TY	REMARKS
1	12701-98J10	CAMSHAFT, INTAKE STBD	1	
2	12705-98J10	CAMSHAFT, INTAKE PORT	1	
3	12721-98J10	CAMSHAFT, EXH STBD	1	
4	12729-98J10	CAMSHAFT, EXH PORT	1	
5	12740-93J00	SPROCKET ASSY, CAM TIMING	2	
6	12748-93J00	SPROCKET, EXH CAMSHAFT	2	
7	12753-93J00	BOLT, INTAKE CAMSHAFT	2	
8	12749-93J00	BOLT, CAMSHAFT EXHAUST	2	
9	09202-05032	PIN (5X12)	3	
10	09261-05006	PIN (5X18)	1	
11	16550-93J00	VALVE, OIL CONTROL	2	
12	16555-93J00	GASKET, VALVE	2	
13	01550-06257	BOLT	8	
14	12891-93J00	TAPPET	24	
15-1	12892-93J00-218	SHIM, TAPPET	AR	
15-2	12892-93J00-220	SHIM, TAPPET	AR	
15-3	12892-93J00-223	SHIM, TAPPET	AR	
15-4	12892-93J00-225	SHIM, TAPPET	AR	
15-5	12892-93J00-228	SHIM, TAPPET	AR	
15-6	12892-93J00-230	SHIM, TAPPET	AR	
15-7	12892-93J00-233	SHIM, TAPPET	AR	
15-8	12892-93J00-235	SHIM, TAPPET	AR	
15-9	12892-93J00-238	SHIM, TAPPET	AR	
15-10	12892-93J00-240	SHIM, TAPPET	AR	
15-11	12892-93J00-243	SHIM, TAPPET	AR	
15-12	12892-93J00-245	SHIM, TAPPET	AR	
15-13	12892-93J00-248	SHIM, TAPPET	AR	
15-14	12892-93J00-250	SHIM, TAPPET	AR	
15-15	12892-93J00-253	SHIM, TAPPET	AR	
15-16	12892-93J00-255	SHIM, TAPPET	AR	
15-17	12892-93J00-258	SHIM, TAPPET	AR	
15-18	12892-93J00-260	SHIM, TAPPET	AR	
15-19	12892-93J00-263	SHIM, TAPPET	AR	
15-20	12892-93J00-265	SHIM, TAPPET	AR	

FIG.36

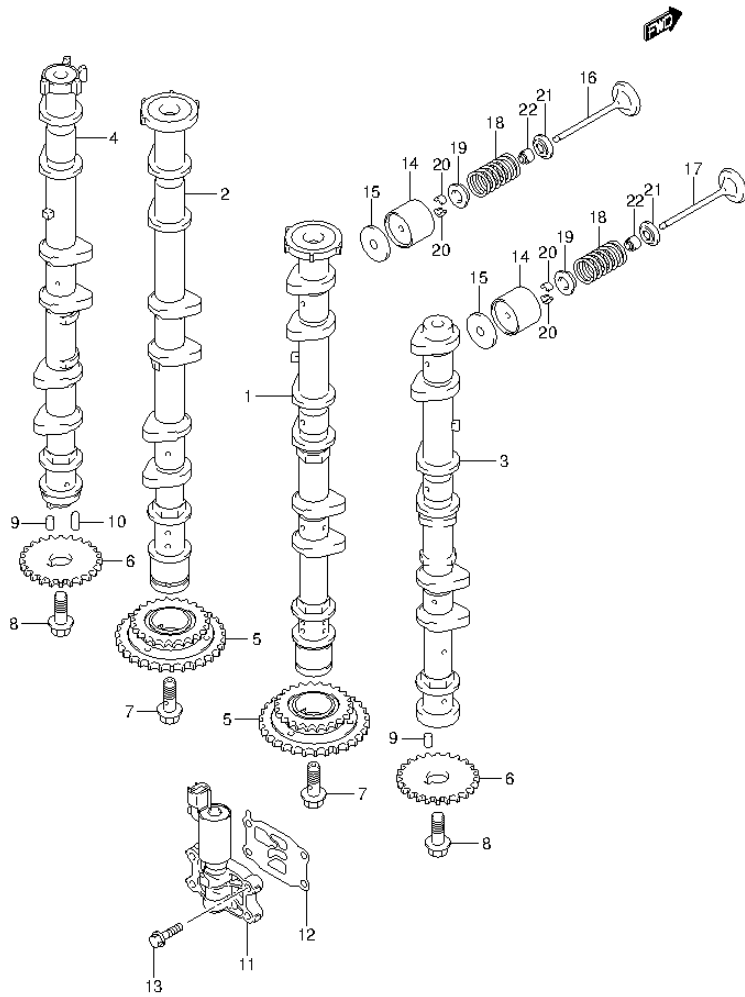


FIG.36 (1-E-9) CAMSHAFT (DF250ST E03)

REF NO.	PART NO.	DESCRIPTION	Q'TY	REMARKS
15-21	12892-93J00-268	SHIM, TAPPET	AR	
15-22	12892-93J00-270	SHIM, TAPPET	AR	
15-23	12892-93J00-273	SHIM, TAPPET	AR	
15-24	12892-93J00-275	SHIM, TAPPET	AR	
15-25	12892-93J00-278	SHIM, TAPPET	AR	
15-26	12892-93J00-280	SHIM, TAPPET	AR	
15-27	12892-93J00-283	SHIM, TAPPET	AR	
15-28	12892-93J00-285	SHIM, TAPPET	AR	
15-29	12892-93J00-288	SHIM, TAPPET	AR	
15-30	12892-93J00-290	SHIM, TAPPET	AR	
15-31	12892-93J00-293	SHIM, TAPPET	AR	
15-32	12892-93J00-295	SHIM, TAPPET	AR	
15-33	12892-93J00-298	SHIM, TAPPET	AR	
15-34	12892-93J00-300	SHIM, TAPPET	AR	
16	12911-98J00	VALVE, INTAKE	12	
17	12915-93J10	VALVE, EXHAUST	12	
18	12921-93J10	SPRING, VALVE	24	
19	12931-78G00	RETAINER, VALVE SPRING	24	
20	12932-24400	COTTER, VALVE	48	
21	12933-69G10	SEAT, VALVE SPRING	24	
22	09289-05012	OIL SEAL (5.5X11.5X9.3)	24	

FIG.37

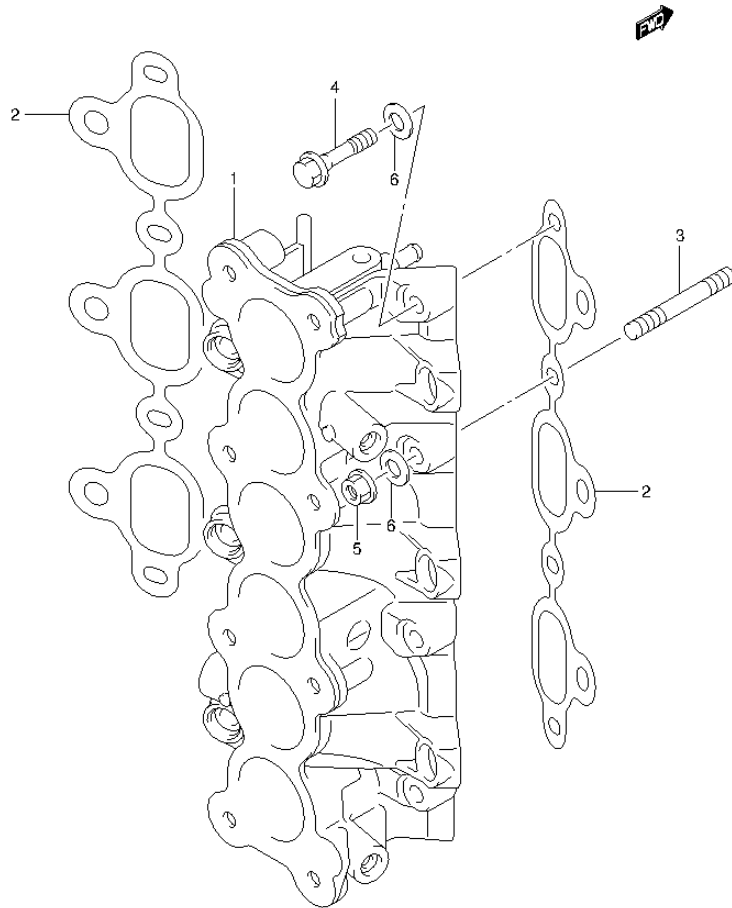


FIG.37 (1-E-10) INTAKE MANIFOLD

REF NO.	PART NO.	DESCRIPTION	Q'TY	REMARKS
1	13110-93J00	MANIFOLD, INTAKE	1	
2	13119-93J00	GASKET, INTAKE MANIFOLD	2	
3	09108-08282	STUD BOLT	4	
4	09103-08437	BOLT (8X65)	4	
5	09159-08136	NUT	4	
6	09160-08016	WASHER (8.5X20X2)	8	

FIG.38

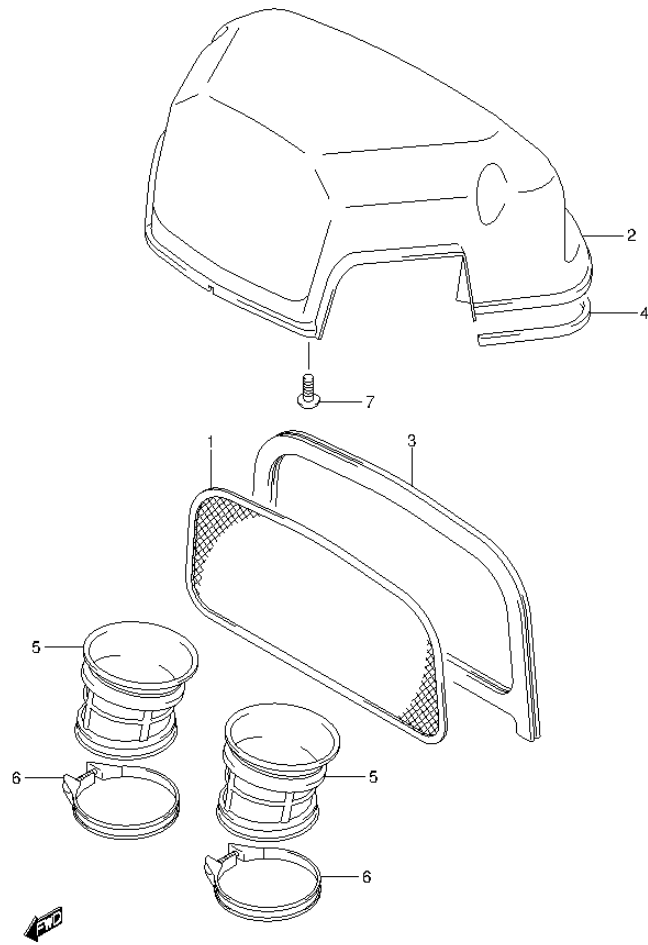


FIG.38 (1-E-11) SILENCER

REF NO.	PART NO.	DESCRIPTION	Q'TY	REMARKS
1	13710-93J00	ARRESTER, FLAME	1	
2	13811-93J01	SILENCER, UPPER COVER	1	
3	13813-93J00	HOLDER, FLAME ARRESTER	1	
4	13851-93J01	SEAL, SILENCER	1	
5	13881-93J00	TUBE, OUTLET	2	
6	17895-93J00	CLAMP	2	
7	02142-06207	SCREW	6	

FIG.39

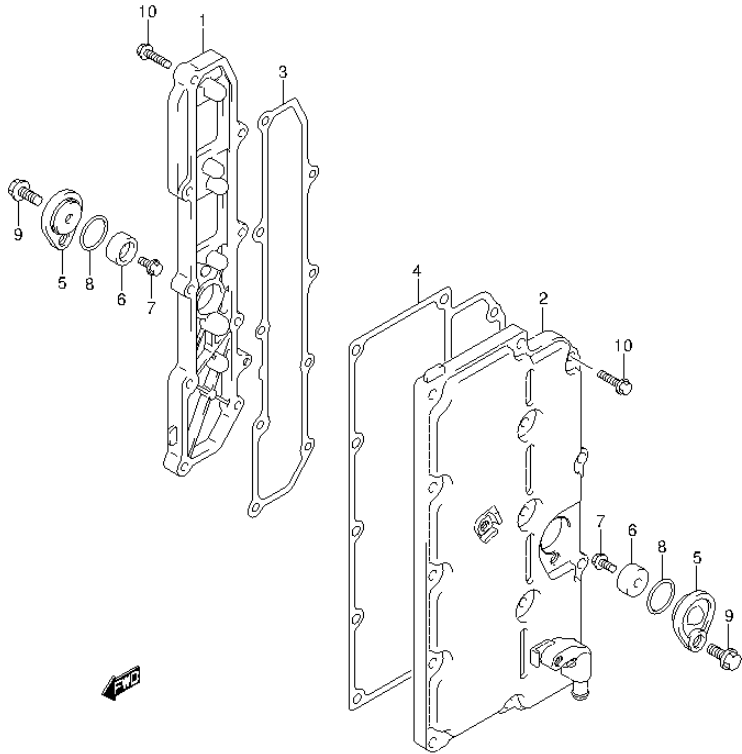


FIG.39 (1-E-12) EXHAUST COVER

REF NO.	PART NO.	DESCRIPTION	Q'TY	REMARKS
1	14141-93J01	COVER, EXHAUST STBD	1	
2	14140-98J01	COVER, EXHAUST PORT	1	
3	14151-93J00	GASKET, EXHAUST COVER STBD	1	
4	14152-93J00	GASKET, EXHAUST COVER PORT	1	
5	11261-93J00	COVER, PROTECTION ANODE	2	
6	55321-87J00	ANODE, PROTECTION	2	
7	09103-06281	BOLT (6X14)	2	
8	09280-22019	O RING (D:1.9,ID:21.8)	2	
9	01550-08207	BOLT	2	
10	01550-06257	BOLT	23	

FIG.40

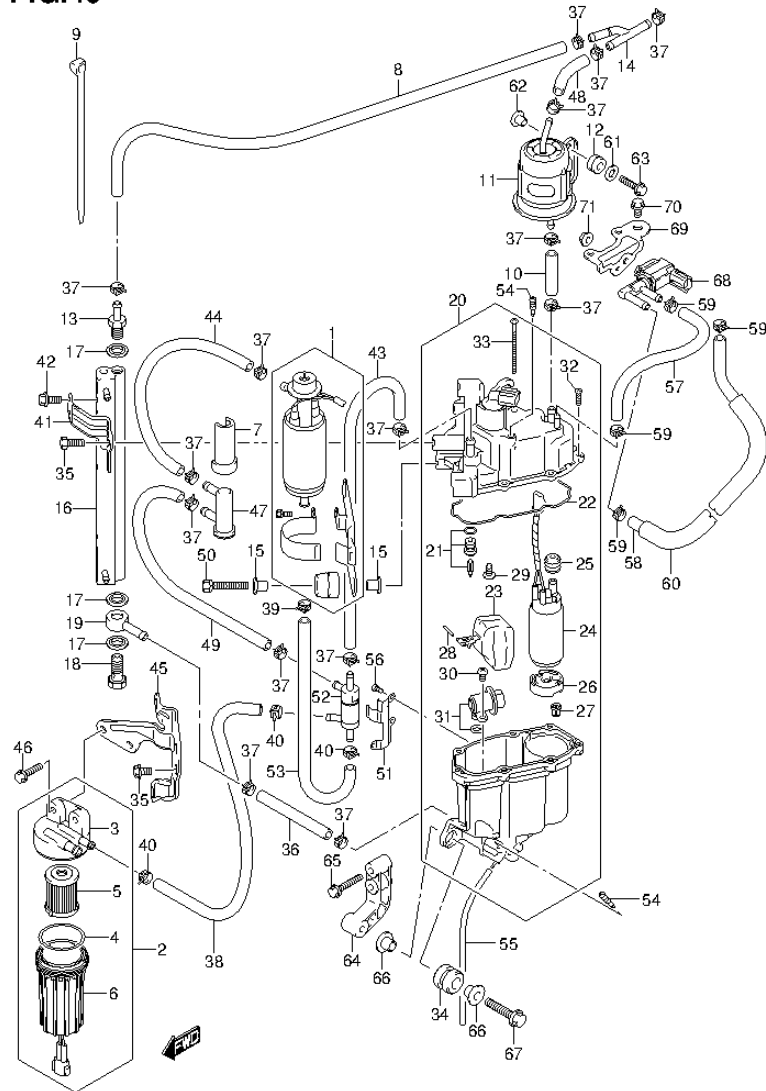


FIG.40 (1-E-13) FUEL PUMP/FUEL VAPOR SEPARATOR (DF200T E03)

REF NO.	PART NO.	DESCRIPTION	Q'TY	REMARKS
1	15100-94900	PUMP ASSY, FUEL (L)	1	
2	15410-93J10	FILTER, FUEL (L)	1	
3	15411-93J10	.CAP, FILTER	1	
4	15415-93J10	.SEAL, NO.1	1	
5	15412-93J10	.FILTER ASSY, FUEL	1	
6	15413-93J10	.CASE ASSY, FILTER	1	
7	15644-93J00	COVER, FUEL FILTER	3	
8	15633-93J20	HOSE, FUEL (H)	1	
9	15646-93J00	CLAMP, FUEL FILTER	1	
10	09343-75001-600	HOSE (7.5X13.5X600)	1	L:600->65
11	15440-93J00	FILTER, FUEL (EPI)	1	
12	09320-08501	CUSHION	2	
13	15773-90J00	UNION, FUEL HOSE (H)	1	
14	15830-93J00	UNION, 3 WAY	1	
15	09169-06062	WASHER	4	
16	15770-93J00	COOLER, FUEL	1	
17	09168-12013	GASKET (11.8X22X1.2)	3	
18	09360-12008	UNION	1	
19	09363-08004	UNION	1	
20	15600-93J01	SEPARATOR ASSY, FUEL VAPOR	1	
21	13370-93J00	.VALVE ASSY, NEEDLE	1	
22	15626-93J00	.GASKET, SEPARATOR	1	
23	15650-93J00	.FLOAT ASSY	1	
24	15200-93J01	.PUMP ASSY, FUEL (H)	1	
25	15647-93J00	.BUSH, FUEL PUMP	1	
26	15641-90J00	.SPACER, FUEL PUMP	1	
27	15642-90J00	.FILTER, FUEL PUMP	1	
28	15654-99E00	.PIN, FLOAT	1	
29	02142-0408B	.SCREW	1	
30	02112-05107	.SCREW	1	
31	15760-93J00	.REGULATOR, FUEL PRESSURE	1	
32	15628-99E00	.SCREW	6	
33	15627-93J00	.SCREW	1	
34	09320-12072	CUSHION	3	

FIG.40

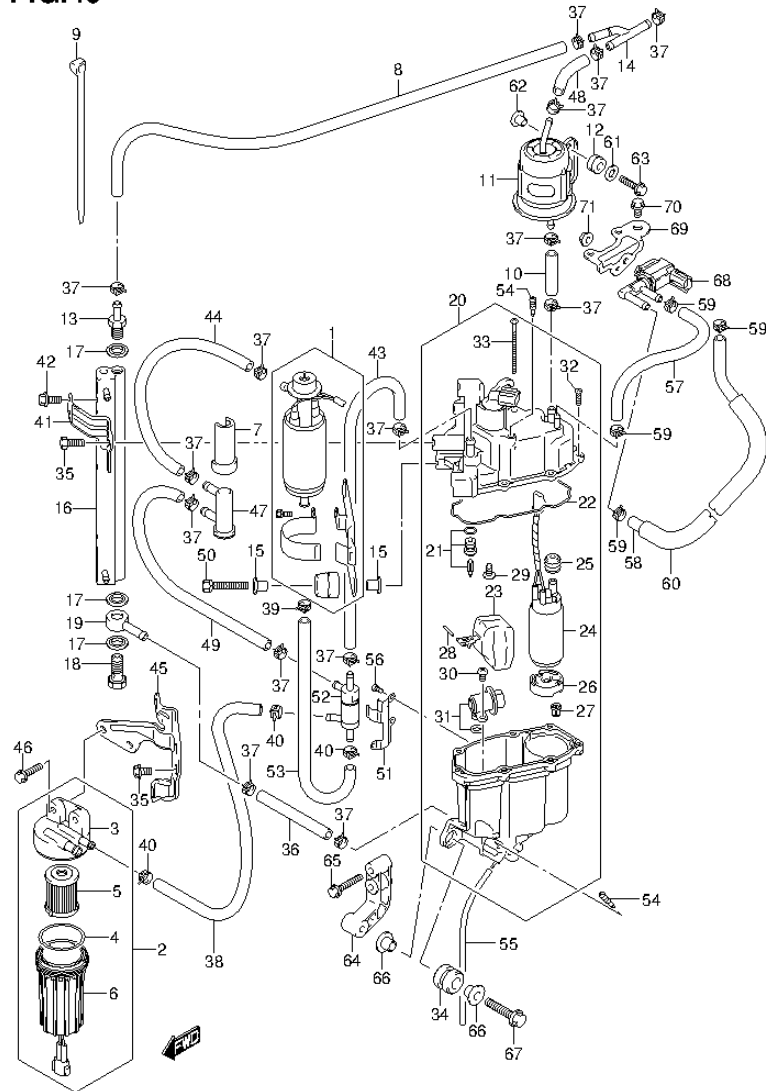
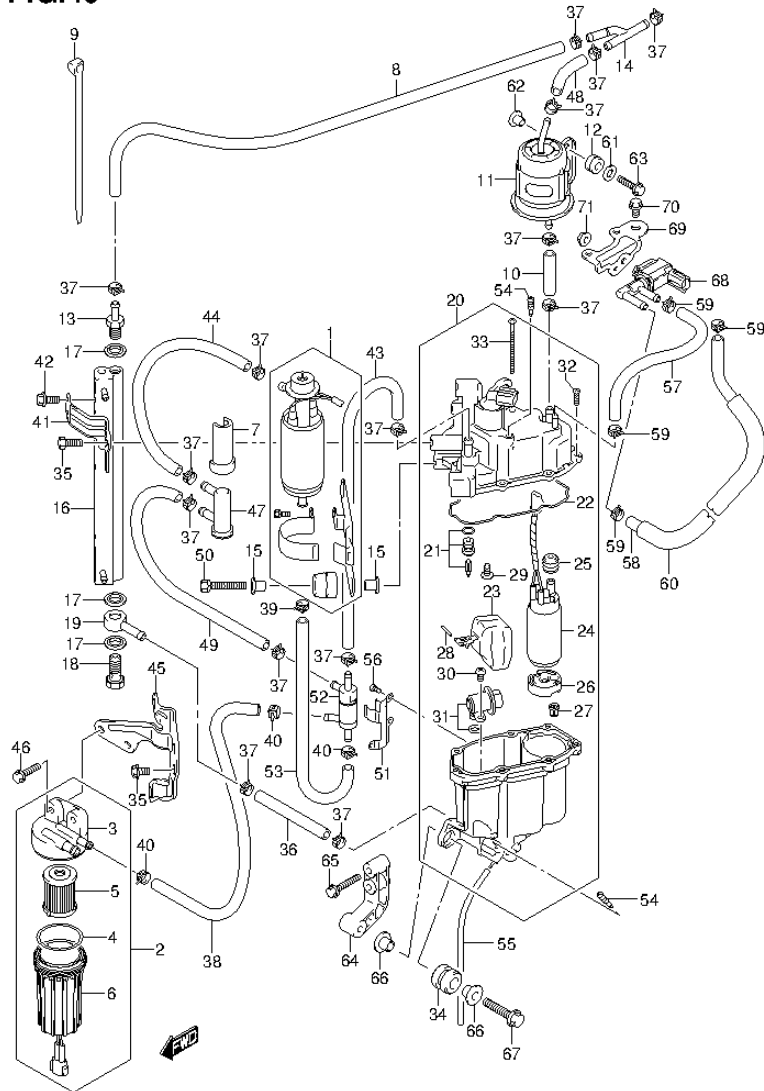


FIG.40 (1-E-14) FUEL PUMP/FUEL VAPOR SEPARATOR (DF200T E03)

REF NO.	PART NO.	DESCRIPTION	Q'TY	REMARKS
35	15675-93J00	BOLT, COOLER BRACKET	3	
36	09343-75001-600	HOSE (7.5X13.5X600)	1	L:600->50
37	09401-11414	CLIP (ID:11.5)	14	
38	15636-98J20	HOSE, FUEL (L)	1	
39	15686-93J00	CLIP	1	
40	15685-93J00	CLIP	3	
41	15672-93J00	BRACKET, FUEL COOLER	1	
42	01500-06167	BOLT	4	
43	15635-93J20	HOSE, FUEL (H)	1	
44	15632-93J20	HOSE, FUEL (H)	1	
45	15673-98J00	BRACKET, FUEL FILTER	1	
46	01550-06257	BOLT	2	
47	15643-93J00	FILTER, FUEL (L)	1	
48	09343-75001-600	HOSE (7.5X13.5X600)	1	L:600->60
49	15634-93J20	HOSE, FUEL (H)	1	
50	01570-06357	BOLT	2	
51	15674-93J00	BRACKET, CHECK VALVE	1	
52	15645-93J00	VALVE, CHECK	1	
53	15637-93J20	HOSE, FUEL (L)	1	
54	15629-99E10	SCREW, DRAIN	2	
55	15683-87J00	HOSE, DRAIN	1	
56	02112-0406B	SCREW	3	
57	09352-50823-600	HOSE (5X8.2X600)	1	L:600->220
58	09352-50823-600	HOSE (5X8.2X600)	1	L:600->550
59	09401-08412	CLIP	4	
60	18498-87JC0	PROTECTOR, EVAP HOSE (L:450)	1	
61	09160-06084	WASHER (6.5X18X1.6)	2	
62	09169-06062	WASHER	2	
63	01500-06257	BOLT	2	
64	15671-93J00	BRACKET, VAPOR SEPARATOR	1	
65	01550-06357	BOLT	2	
66	09169-08042	WASHER	6	
67	01550-08407	BOLT	3	
68	18117-52G10	VALVE ASSY, EVAP PURGE	1	

FIG.40



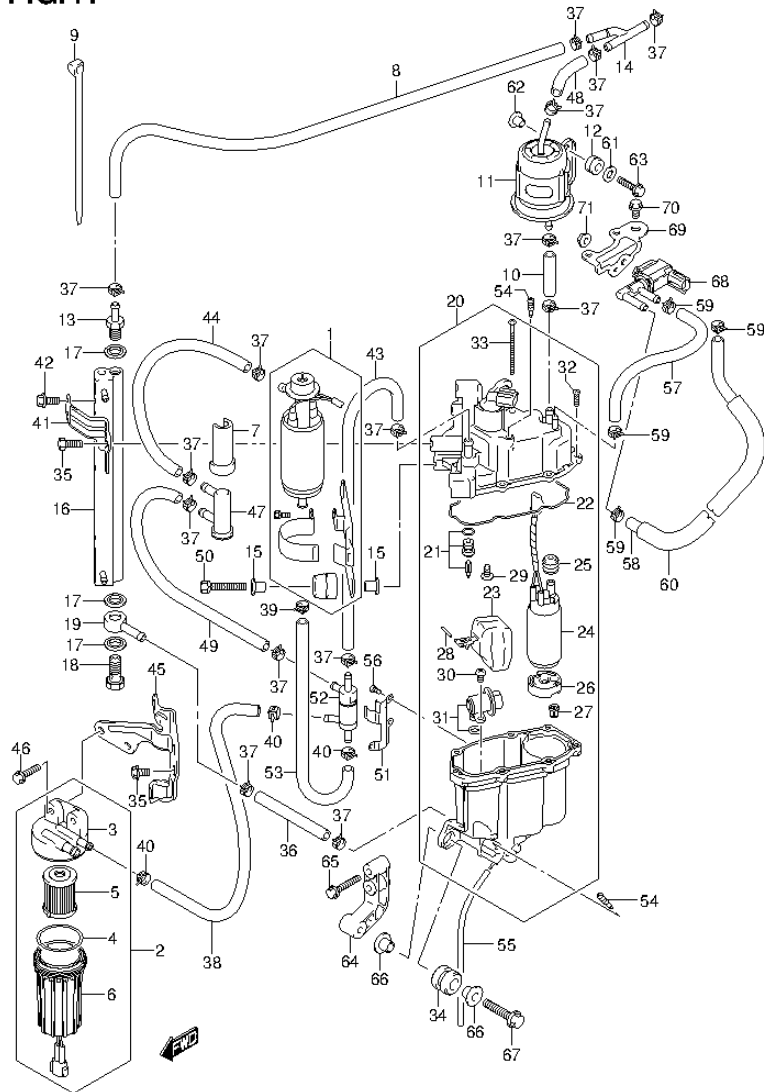
DF250 E03 012_040
FUEL PUMP/FUEL VAPOR SEPARATOR

FIG.40 (1-E-15) FUEL PUMP/FUEL VAPOR SEPARATOR (DF200T E03)

REF NO.	PART NO.	DESCRIPTION	Q'TY	REMARKS
69	18417-93J00	BRACKET, PURGE VALVE	1	
70	01550-06127	BOLT	2	
71	08316-10067	NUT	1	

DF250 E03 012

FIG.41



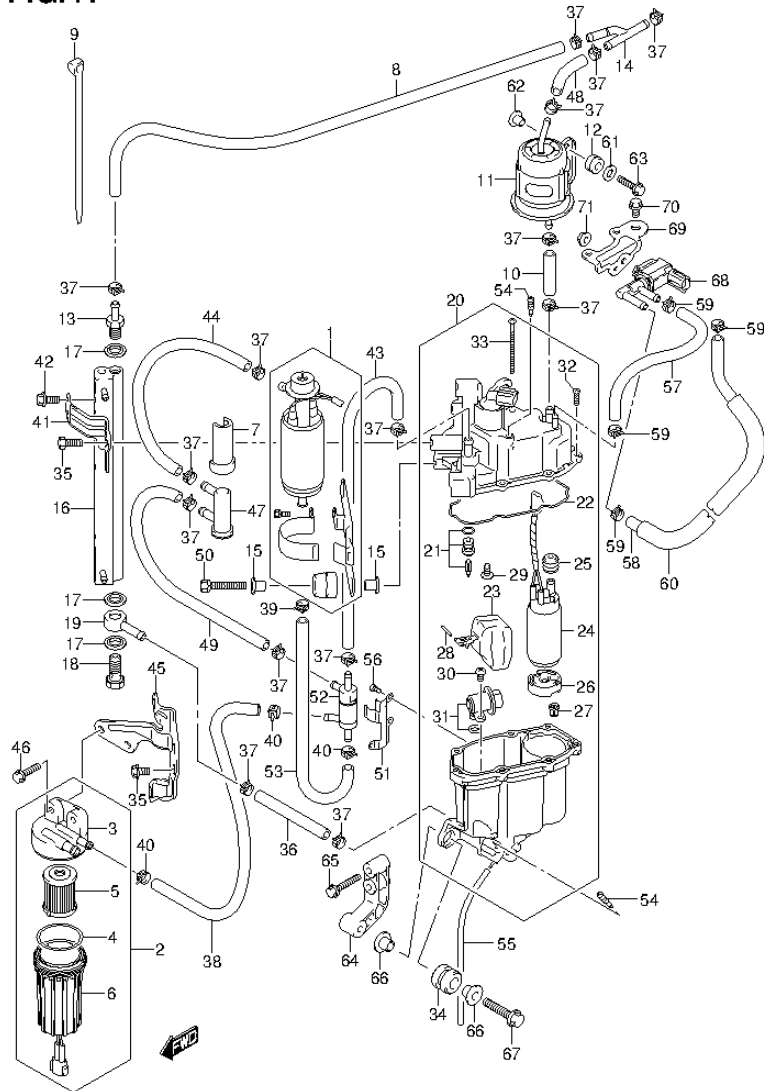
DF250 E03 012_041
FUEL PUMP/FUEL VAPOR SEPARATOR

FIG.41 (1-F-2) FUEL PUMP/FUEL VAPOR SEPARATOR (DF200Z E03)

REF NO.	PART NO.	DESCRIPTION	Q'TY	REMARKS
1	15100-94900	PUMP ASSY, FUEL (L)	1	
2	15410-93J10	FILTER, FUEL (L)	1	
3	15411-93J10	.CAP, FILTER	1	
4	15415-93J10	.SEAL, NO.1	1	
5	15412-93J10	.FILTER ASSY, FUEL	1	
6	15413-93J10	.CASE ASSY, FILTER	1	
7	15644-93J00	COVER, FUEL FILTER	3	
8	15633-93J20	HOSE, FUEL (H)	1	
9	15646-93J00	CLAMP, FUEL FILTER	1	
10	09343-75001-600	HOSE (7.5X13.5X600)	1	L:600->65
11	15440-93J00	FILTER, FUEL (EPI)	1	
12	09320-08501	CUSHION	2	
13	15773-90J00	UNION, FUEL HOSE (H)	1	
14	15830-93J00	UNION, 3 WAY	1	
15	09169-06062	WASHER	4	
16	15770-93J00	COOLER, FUEL	1	
17	09168-12013	GASKET (11.8X22X1.2)	3	
18	09360-12008	UNION	1	
19	09363-08004	UNION	1	
20	15600-93J01	SEPARATOR ASSY, FUEL VAPOR	1	
21	13370-93J00	.VALVE ASSY, NEEDLE	1	
22	15626-93J00	.GASKET, SEPARATOR	1	
23	15650-93J00	.FLOAT ASSY	1	
24	15200-93J01	.PUMP ASSY, FUEL (H)	1	
25	15647-93J00	.BUSH, FUEL PUMP	1	
26	15641-90J00	.SPACER, FUEL PUMP	1	
27	15642-90J00	.FILTER, FUEL PUMP	1	
28	15654-99E00	.PIN, FLOAT	1	
29	02142-0408B	.SCREW	1	
30	02112-05107	.SCREW	1	
31	15760-93J00	.REGULATOR, FUEL PRESSURE	1	
32	15628-99E00	.SCREW	6	
33	15627-93J00	.SCREW	1	
34	09320-12072	CUSHION	3	

DF250 E03 012

FIG.41



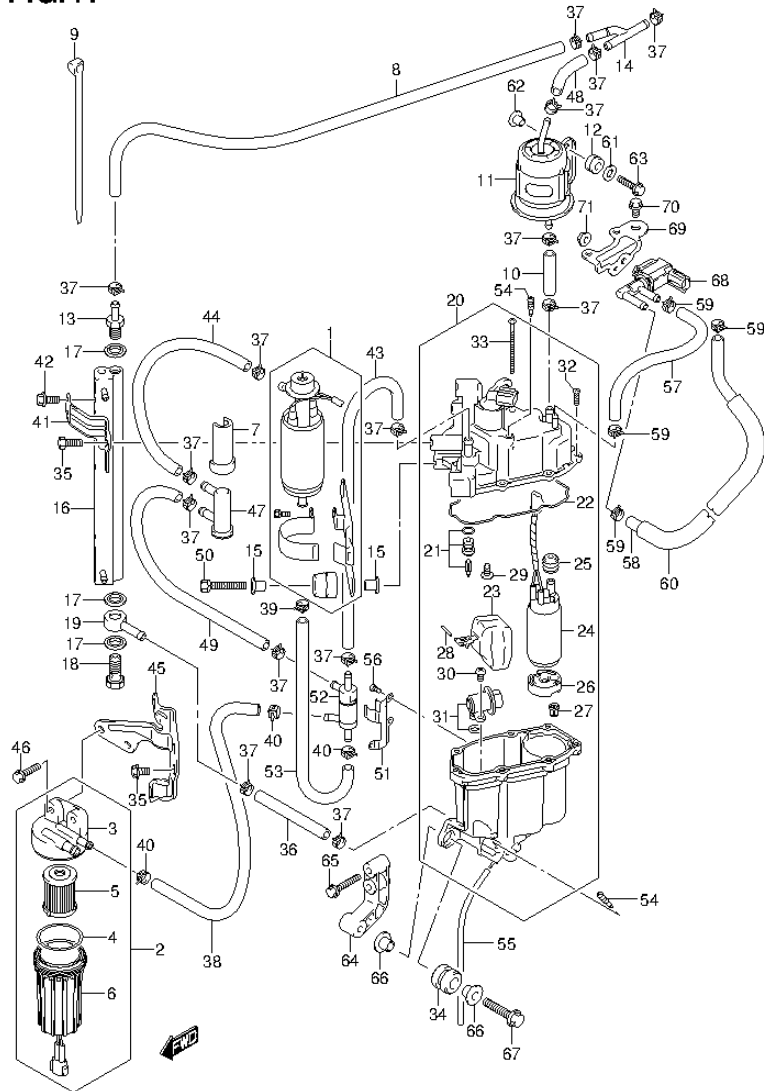
DF250 E03 012_041
FUEL PUMP/FUEL VAPOR SEPARATOR

FIG.41 (1-F-3) FUEL PUMP/FUEL VAPOR SEPARATOR (DF200Z E03)

REF NO.	PART NO.	DESCRIPTION	Q'TY	REMARKS
35	15675-93J00	BOLT, COOLER BRACKET	3	
36	09343-75001-600	HOSE (7.5X13.5X600)	1	L:600->50
37	09401-11414	CLIP (ID:11.5)	14	
38	15636-98J20	HOSE, FUEL (L)	1	
39	15686-93J00	CLIP	1	
40	15685-93J00	CLIP	3	
41	15672-93J00	BRACKET, FUEL COOLER	1	
42	01500-06167	BOLT	4	
43	15635-93J20	HOSE, FUEL (H)	1	
44	15632-93J20	HOSE, FUEL (H)	1	
45	15673-98J00	BRACKET, FUEL FILTER	1	
46	01550-06257	BOLT	2	
47	15643-93J00	FILTER, FUEL (L)	1	
48	09343-75001-600	HOSE (7.5X13.5X600)	1	L:600->60
49	15634-93J20	HOSE, FUEL (H)	1	
50	01570-06357	BOLT	2	
51	15674-93J00	BRACKET, CHECK VALVE	1	
52	15645-93J00	VALVE, CHECK	1	
53	15637-93J20	HOSE, FUEL (L)	1	
54	15629-99E10	SCREW, DRAIN	2	
55	15683-87J00	HOSE, DRAIN	1	
56	02112-0406B	SCREW	3	
57	09352-50823-600	HOSE (5X8.2X600)	1	L:600->220
58	09352-50823-600	HOSE (5X8.2X600)	1	L:600->550
59	09401-08412	CLIP	4	
60	18498-87JC0	PROTECTOR, EVAP HOSE (L:450)	1	
61	09160-06084	WASHER (6.5X18X1.6)	2	
62	09169-06062	WASHER	2	
63	01500-06257	BOLT	2	
64	15671-93J00	BRACKET, VAPOR SEPARATOR	1	
65	01550-06357	BOLT	2	
66	09169-08042	WASHER	6	
67	01550-08407	BOLT	3	
68	18117-52G10	VALVE ASSY, EVAP PURGE	1	

DF250 E03 012

FIG.41



DF250 E03 012_041
FUEL PUMP/FUEL VAPOR SEPARATOR

FIG.41 (1-F-4) FUEL PUMP/FUEL VAPOR SEPARATOR (DF200Z E03)

REF NO.	PART NO.	DESCRIPTION	Q'TY	REMARKS
69	18417-93J00	BRACKET, PURGE VALVE	1	
70	01550-06127	BOLT	2	
71	08316-10067	NUT	1	

DF250 E03 012

FIG.42

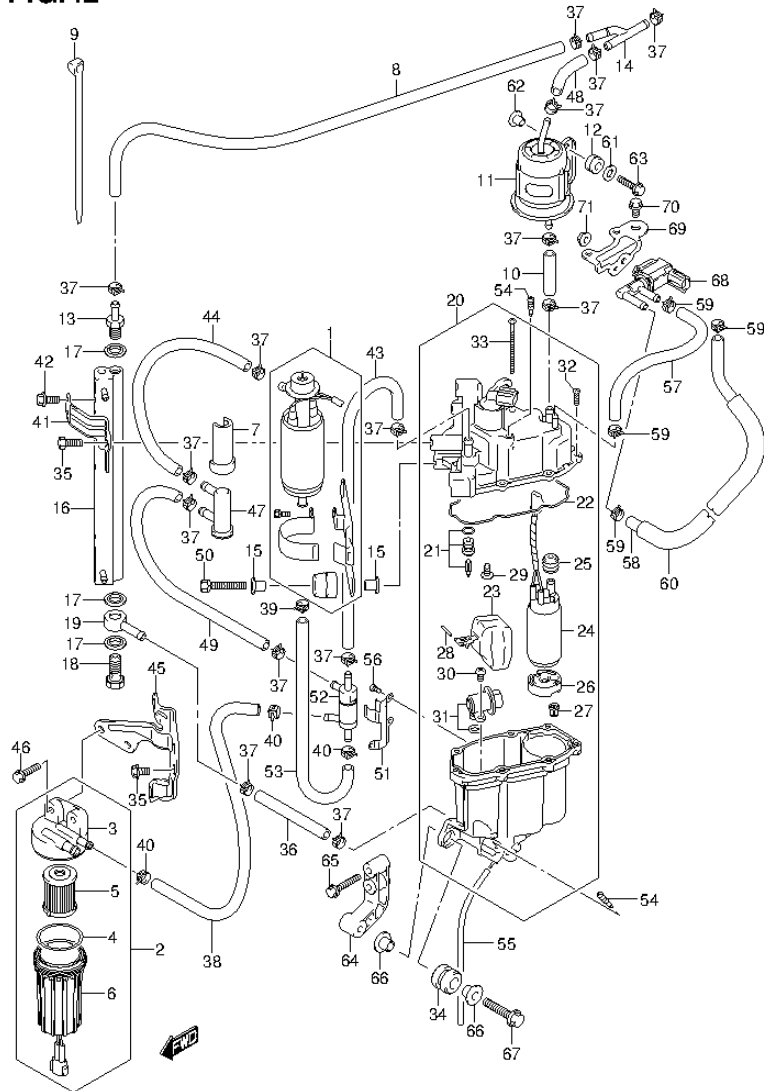
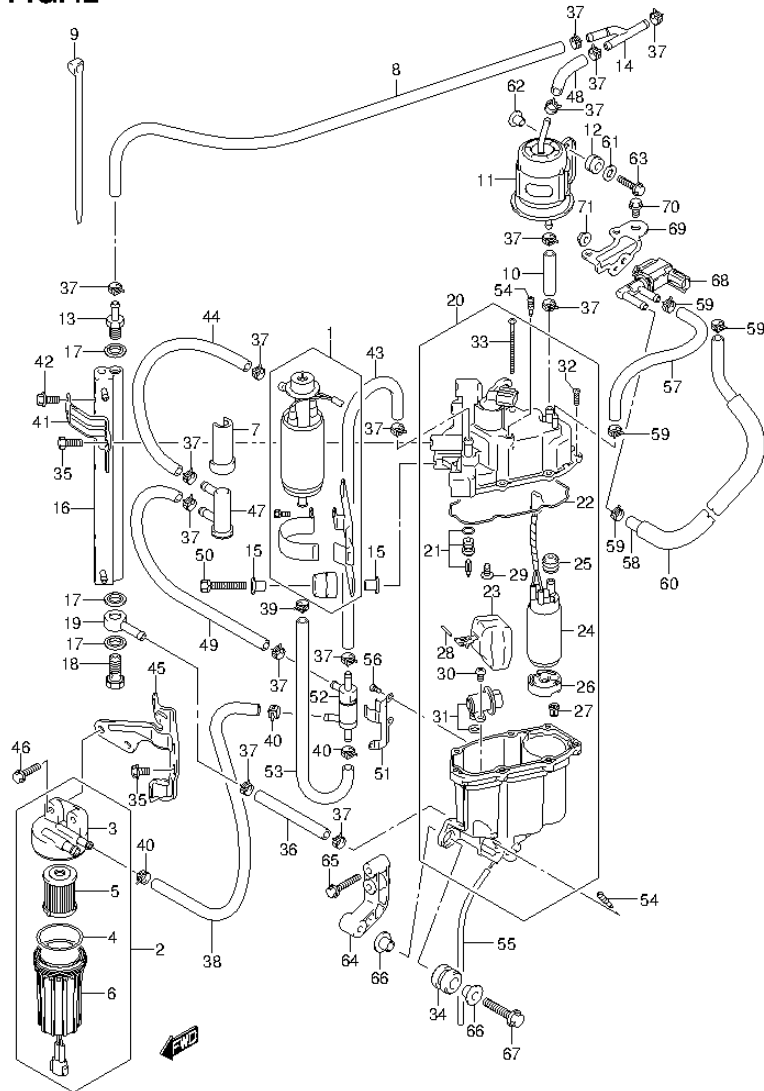


FIG.42 (1-F-5) FUEL PUMP/FUEL VAPOR SEPARATOR (DF225T E03)

REF NO.	PART NO.	DESCRIPTION	Q'TY	REMARKS
1	15100-94900	PUMP ASSY, FUEL (L)	1	
2	15410-93J10	FILTER, FUEL (L)	1	
3	15411-93J10	.CAP, FILTER	1	
4	15415-93J10	.SEAL, NO.1	1	
5	15412-93J10	.FILTER ASSY, FUEL	1	
6	15413-93J10	.CASE ASSY, FILTER	1	
7	15644-93J00	COVER, FUEL FILTER	3	
8	15633-93J20	HOSE, FUEL (H)	1	
9	15646-93J00	CLAMP, FUEL FILTER	1	
10	09343-75001-600	HOSE (7.5X13.5X600)	1	L:600->65
11	15440-93J00	FILTER, FUEL (EPI)	1	
12	09320-08501	CUSHION	2	
13	15773-90J00	UNION, FUEL HOSE (H)	1	
14	15830-93J00	UNION, 3 WAY	1	
15	09169-06062	WASHER	4	
16	15770-93J00	COOLER, FUEL	1	
17	09168-12013	GASKET (11.8X22X1.2)	3	
18	09360-12008	UNION	1	
19	09363-08004	UNION	1	
20	15600-93J01	SEPARATOR ASSY, FUEL VAPOR	1	
21	13370-93J00	.VALVE ASSY, NEEDLE	1	
22	15626-93J00	.GASKET, SEPARATOR	1	
23	15650-93J00	.FLOAT ASSY	1	
24	15200-93J01	.PUMP ASSY, FUEL (H)	1	
25	15647-93J00	.BUSH, FUEL PUMP	1	
26	15641-90J00	.SPACER, FUEL PUMP	1	
27	15642-90J00	.FILTER, FUEL PUMP	1	
28	15654-99E00	.PIN, FLOAT	1	
29	02142-0408B	.SCREW	1	
30	02112-05107	.SCREW	1	
31	15760-93J00	.REGULATOR, FUEL PRESSURE	1	
32	15628-99E00	.SCREW	6	
33	15627-93J00	.SCREW	1	
34	09320-12072	CUSHION	3	

FIG.42



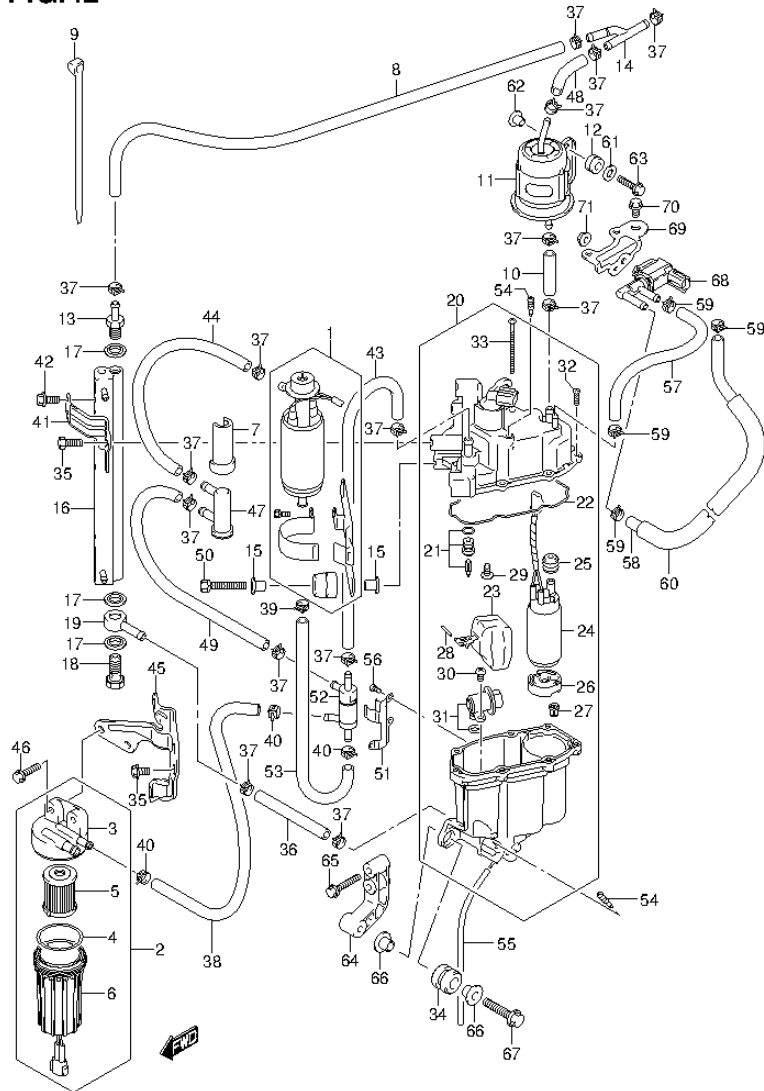
DF250 E03 012_042
FUEL PUMP/FUEL VAPOR SEPARATOR

FIG.42 (1-F-6) FUEL PUMP/FUEL VAPOR SEPARATOR (DF225T E03)

REF NO.	PART NO.	DESCRIPTION	Q'TY	REMARKS
35	15675-93J00	BOLT, COOLER BRACKET	3	
36	09343-75001-600	HOSE (7.5X13.5X600)	1	L:600->50
37	09401-11414	CLIP (ID:11.5)	14	
38	15636-98J20	HOSE, FUEL (L)	1	
39	15686-93J00	CLIP	1	
40	15685-93J00	CLIP	3	
41	15672-93J00	BRACKET, FUEL COOLER	1	
42	01500-06167	BOLT	4	
43	15635-93J20	HOSE, FUEL (H)	1	
44	15632-93J20	HOSE, FUEL (H)	1	
45	15673-98J00	BRACKET, FUEL FILTER	1	
46	01550-06257	BOLT	2	
47	15643-93J00	FILTER, FUEL (L)	1	
48	09343-75001-600	HOSE (7.5X13.5X600)	1	L:600->60
49	15634-93J20	HOSE, FUEL (H)	1	
50	01570-06357	BOLT	2	
51	15674-93J00	BRACKET, CHECK VALVE	1	
52	15645-93J00	VALVE, CHECK	1	
53	15637-93J20	HOSE, FUEL (L)	1	
54	15629-99E10	SCREW, DRAIN	2	
55	15683-87J00	HOSE, DRAIN	1	
56	02112-0406B	SCREW	3	
57	09352-50823-600	HOSE (5X8.2X600)	1	L:600->220
58	09352-50823-600	HOSE (5X8.2X600)	1	L:600->550
59	09401-08412	CLIP	4	
60	18498-87JC0	PROTECTOR, EVAP HOSE (L:450)	1	
61	09160-06084	WASHER (6.5X18X1.6)	2	
62	09169-06062	WASHER	2	
63	01500-06257	BOLT	2	
64	15671-93J00	BRACKET, VAPOR SEPARATOR	1	
65	01550-06357	BOLT	2	
66	09169-08042	WASHER	6	
67	01550-08407	BOLT	3	
68	18117-52G10	VALVE ASSY, EVAP PURGE	1	

DF250 E03 012

FIG.42



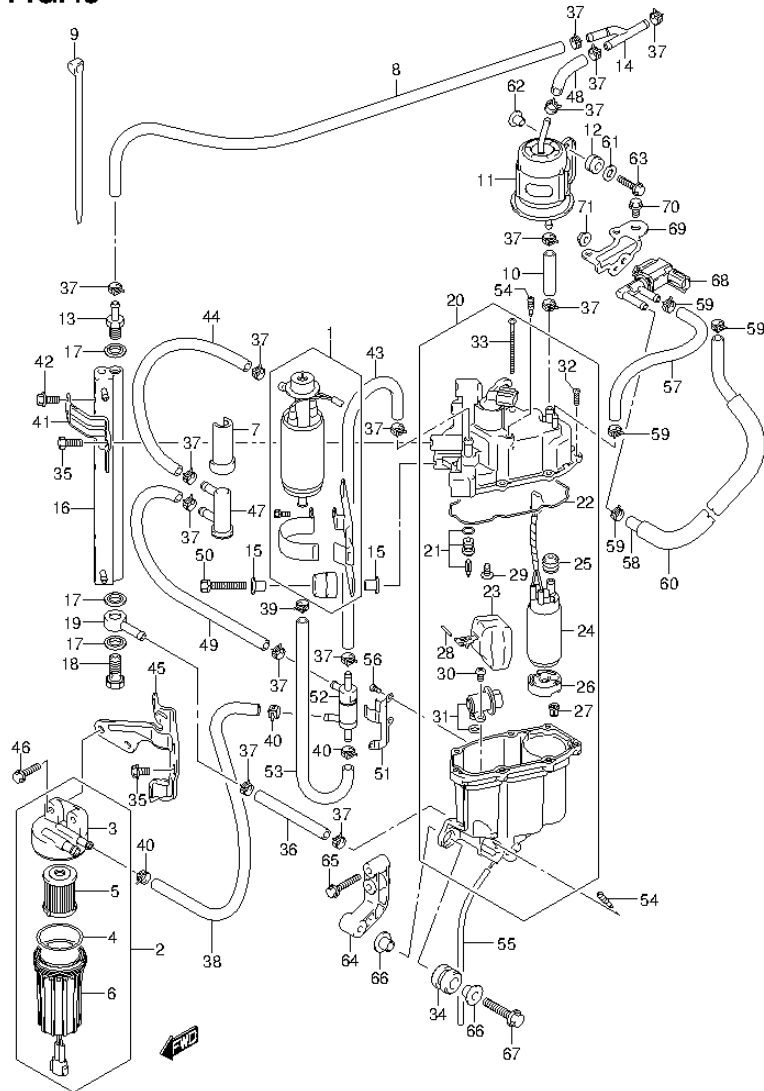
DF250 E03 012_042
FUEL PUMP/FUEL VAPOR SEPARATOR

FIG.42 (1-F-7) FUEL PUMP/FUEL VAPOR SEPARATOR (DF225T E03)

REF NO.	PART NO.	DESCRIPTION	Q'TY	REMARKS
69	18417-93J00	BRACKET, PURGE VALVE	1	
70	01550-06127	BOLT	2	
71	08316-10067	NUT	1	

DF250 E03 012

FIG.43



DF250 E03 012_043
FUEL PUMP/FUEL VAPOR SEPARATOR

FIG.43 (1-F-8) FUEL PUMP/FUEL VAPOR SEPARATOR (DF225Z E03)

REF NO.	PART NO.	DESCRIPTION	Q'TY	REMARKS
1	15100-94900	PUMP ASSY, FUEL (L)	1	
2	15410-93J10	FILTER, FUEL (L)	1	
3	15411-93J10	.CAP, FILTER	1	
4	15415-93J10	.SEAL, NO.1	1	
5	15412-93J10	.FILTER ASSY, FUEL	1	
6	15413-93J10	.CASE ASSY, FILTER	1	
7	15644-93J00	COVER, FUEL FILTER	3	
8	15633-93J20	HOSE, FUEL (H)	1	
9	15646-93J00	CLAMP, FUEL FILTER	1	
10	09343-75001-600	HOSE (7.5X13.5X600)	1	L:600->65
11	15440-93J00	FILTER, FUEL (EPI)	1	
12	09320-08501	CUSHION	2	
13	15773-90J00	UNION, FUEL HOSE (H)	1	
14	15830-93J00	UNION, 3 WAY	1	
15	09169-06062	WASHER	4	
16	15770-93J00	COOLER, FUEL	1	
17	09168-12013	GASKET (11.8X22X1.2)	3	
18	09360-12008	UNION	1	
19	09363-08004	UNION	1	
20	15600-93J01	SEPARATOR ASSY, FUEL VAPOR	1	
21	13370-93J00	.VALVE ASSY, NEEDLE	1	
22	15626-93J00	.GASKET, SEPARATOR	1	
23	15650-93J00	.FLOAT ASSY	1	
24	15200-93J01	.PUMP ASSY, FUEL (H)	1	
25	15647-93J00	.BUSH, FUEL PUMP	1	
26	15641-90J00	.SPACER, FUEL PUMP	1	
27	15642-90J00	.FILTER, FUEL PUMP	1	
28	15654-99E00	.PIN, FLOAT	1	
29	02142-0408B	.SCREW	1	
30	02112-05107	.SCREW	1	
31	15760-93J00	.REGULATOR, FUEL PRESSURE	1	
32	15628-99E00	.SCREW	6	
33	15627-93J00	.SCREW	1	
34	09320-12072	CUSHION	3	

DF250 E03 012

FIG.43

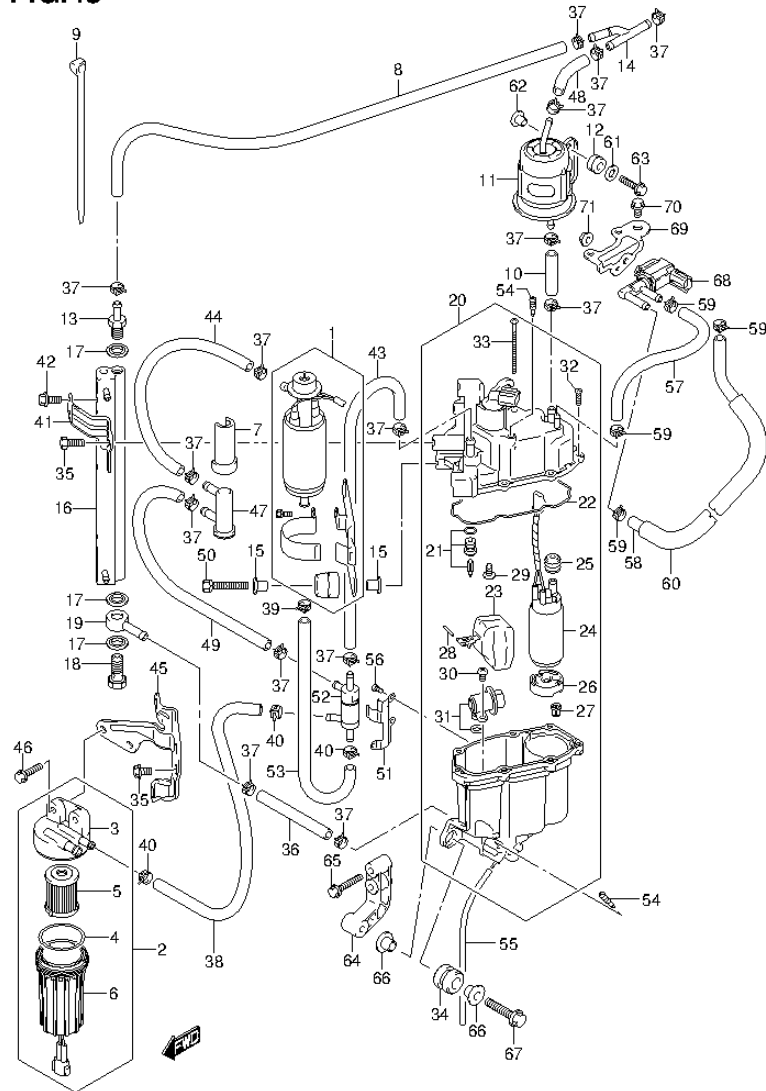
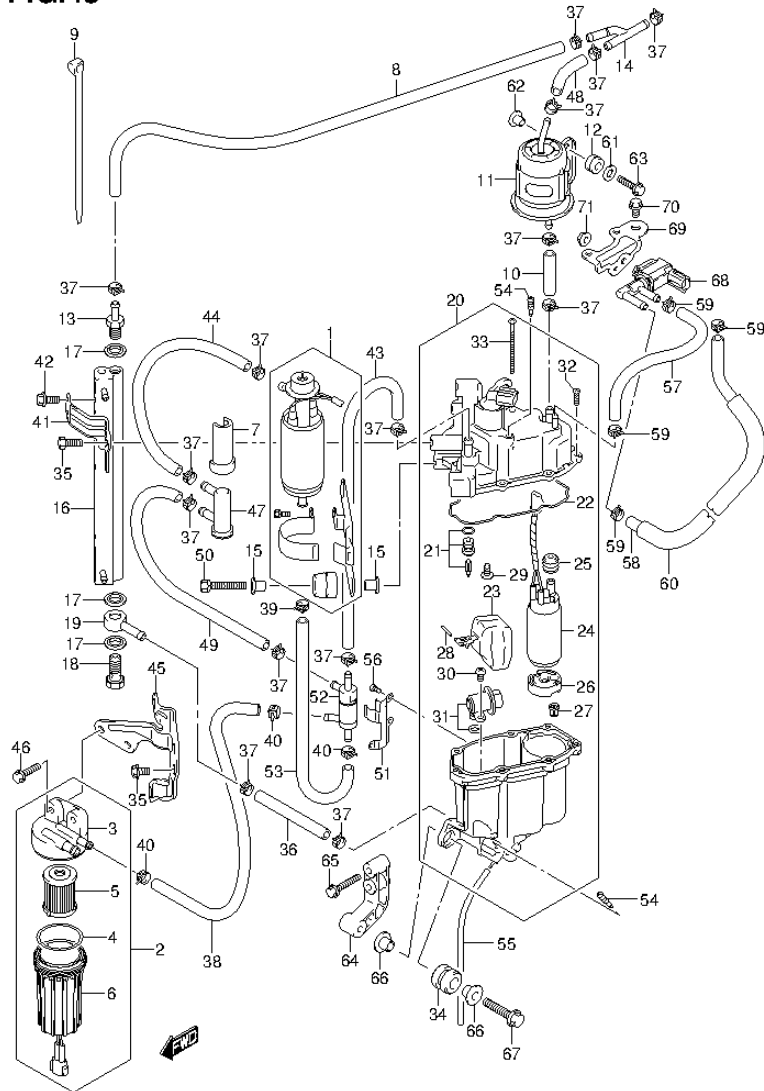


FIG.43 (1-F-9) FUEL PUMP/FUEL VAPOR SEPARATOR (DF225Z E03)

REF NO.	PART NO.	DESCRIPTION	Q'TY	REMARKS
35	15675-93J00	BOLT, COOLER BRACKET	3	
36	09343-75001-600	HOSE (7.5X13.5X600)	1	L:600->50
37	09401-11414	CLIP (ID:11.5)	14	
38	15636-98J20	HOSE, FUEL (L)	1	
39	15686-93J00	CLIP	1	
40	15685-93J00	CLIP	3	
41	15672-93J00	BRACKET, FUEL COOLER	1	
42	01500-06167	BOLT	4	
43	15635-93J20	HOSE, FUEL (H)	1	
44	15632-93J20	HOSE, FUEL (H)	1	
45	15673-98J00	BRACKET, FUEL FILTER	1	
46	01550-06257	BOLT	2	
47	15643-93J00	FILTER, FUEL (L)	1	
48	09343-75001-600	HOSE (7.5X13.5X600)	1	L:600->60
49	15634-93J20	HOSE, FUEL (H)	1	
50	01570-06357	BOLT	2	
51	15674-93J00	BRACKET, CHECK VALVE	1	
52	15645-93J00	VALVE, CHECK	1	
53	15637-93J20	HOSE, FUEL (L)	1	
54	15629-99E10	SCREW, DRAIN	2	
55	15683-87J00	HOSE, DRAIN	1	
56	02112-0406B	SCREW	3	
57	09352-50823-600	HOSE (5X8.2X600)	1	L:600->220
58	09352-50823-600	HOSE (5X8.2X600)	1	L:600->550
59	09401-08412	CLIP	4	
60	18498-87JC0	PROTECTOR, EVAP HOSE (L:450)	1	
61	09160-06084	WASHER (6.5X18X1.6)	2	
62	09169-06062	WASHER	2	
63	01500-06257	BOLT	2	
64	15671-93J00	BRACKET, VAPOR SEPARATOR	1	
65	01550-06357	BOLT	2	
66	09169-08042	WASHER	6	
67	01550-08407	BOLT	3	
68	18117-52G10	VALVE ASSY, EVAP PURGE	1	

FIG.43



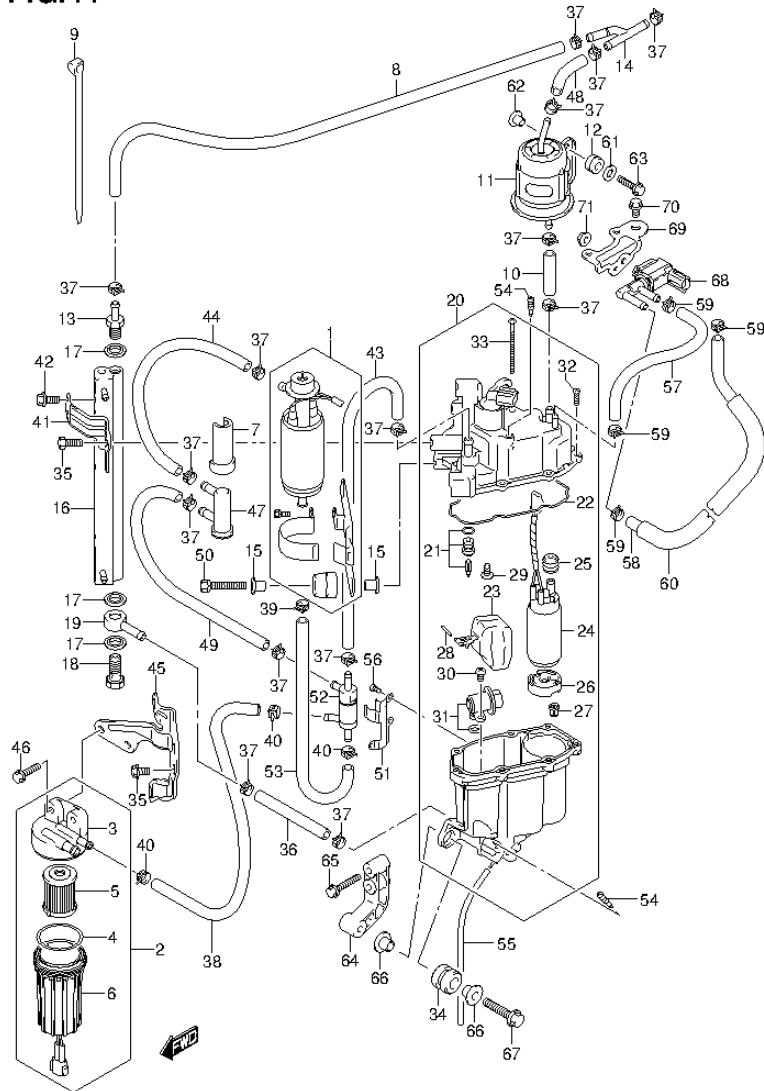
DF250 E03 012_043
FUEL PUMP/FUEL VAPOR SEPARATOR

FIG.43 (1-F-10) FUEL PUMP/FUEL VAPOR SEPARATOR (DF225Z E03)

REF NO.	PART NO.	DESCRIPTION	Q'TY	REMARKS
69	18417-93J00	BRACKET, PURGE VALVE	1	
70	01550-06127	BOLT	2	
71	08316-10067	NUT	1	

DF250 E03 012

FIG.44



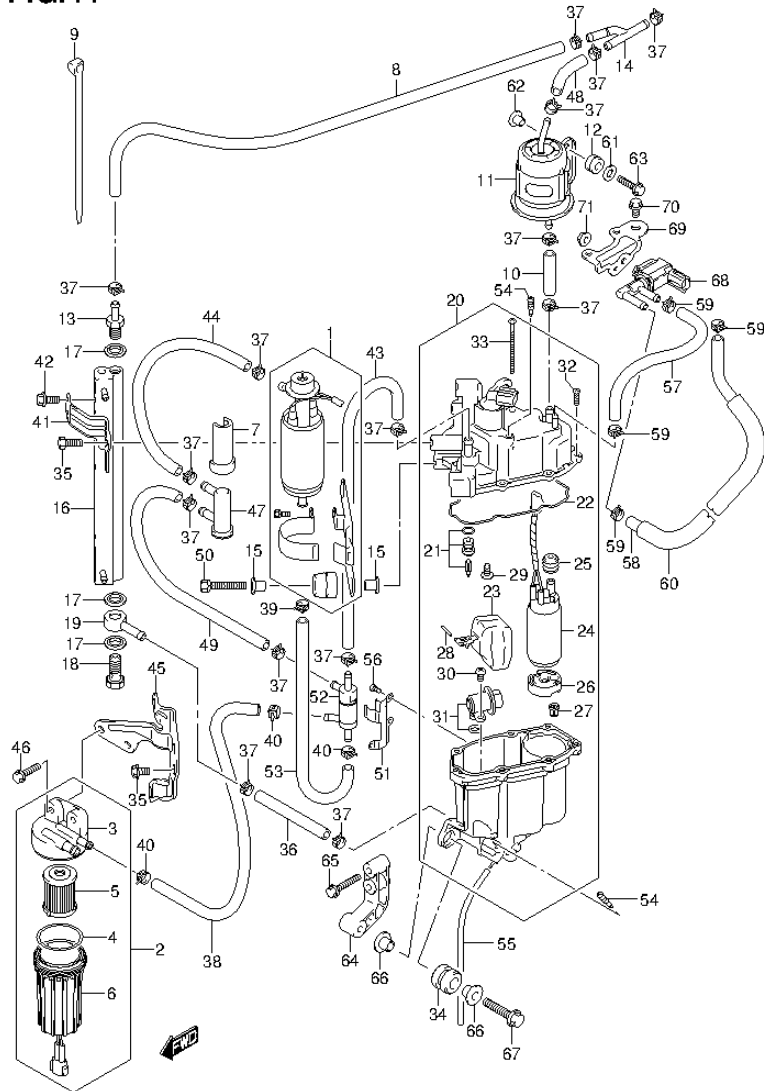
DF250 E03 012_044
FUEL PUMP/FUEL VAPOR SEPARATOR

FIG.44 (1-F-11) FUEL PUMP/FUEL VAPOR SEPARATOR (DF250T E03)

REF NO.	PART NO.	DESCRIPTION	Q'TY	REMARKS
1	15100-94900	PUMP ASSY, FUEL (L)	1	
2	15410-93J10	FILTER, FUEL (L)	1	
3	15411-93J10	.CAP, FILTER	1	
4	15415-93J10	.SEAL, NO.1	1	
5	15412-93J10	.FILTER ASSY, FUEL	1	
6	15413-93J10	.CASE ASSY, FILTER	1	
7	15644-93J00	COVER, FUEL FILTER	3	
8	15633-93J20	HOSE, FUEL (H)	1	
9	15646-93J00	CLAMP, FUEL FILTER	1	
10	09343-75001-600	HOSE (7.5X13.5X600)	1	L:600->65
11	15440-93J00	FILTER, FUEL (EPI)	1	
12	09320-08501	CUSHION	2	
13	15773-90J00	UNION, FUEL HOSE (H)	1	
14	15830-93J00	UNION, 3 WAY	1	
15	09169-06062	WASHER	4	
16	15770-93J00	COOLER, FUEL	1	
17	09168-12013	GASKET (11.8X22X1.2)	3	
18	09360-12008	UNION	1	
19	09363-08004	UNION	1	
20	15600-93J01	SEPARATOR ASSY, FUEL VAPOR	1	
21	13370-93J00	.VALVE ASSY, NEEDLE	1	
22	15626-93J00	.GASKET, SEPARATOR	1	
23	15650-93J00	.FLOAT ASSY	1	
24	15200-93J01	.PUMP ASSY, FUEL (H)	1	
25	15647-93J00	.BUSH, FUEL PUMP	1	
26	15641-90J00	.SPACER, FUEL PUMP	1	
27	15642-90J00	.FILTER, FUEL PUMP	1	
28	15654-99E00	.PIN, FLOAT	1	
29	02142-0408B	.SCREW	1	
30	02112-05107	.SCREW	1	
31	15760-93J00	.REGULATOR, FUEL PRESSURE	1	
32	15628-99E00	.SCREW	6	
33	15627-93J00	.SCREW	1	
34	09320-12072	CUSHION	3	

DF250 E03 012

FIG.44



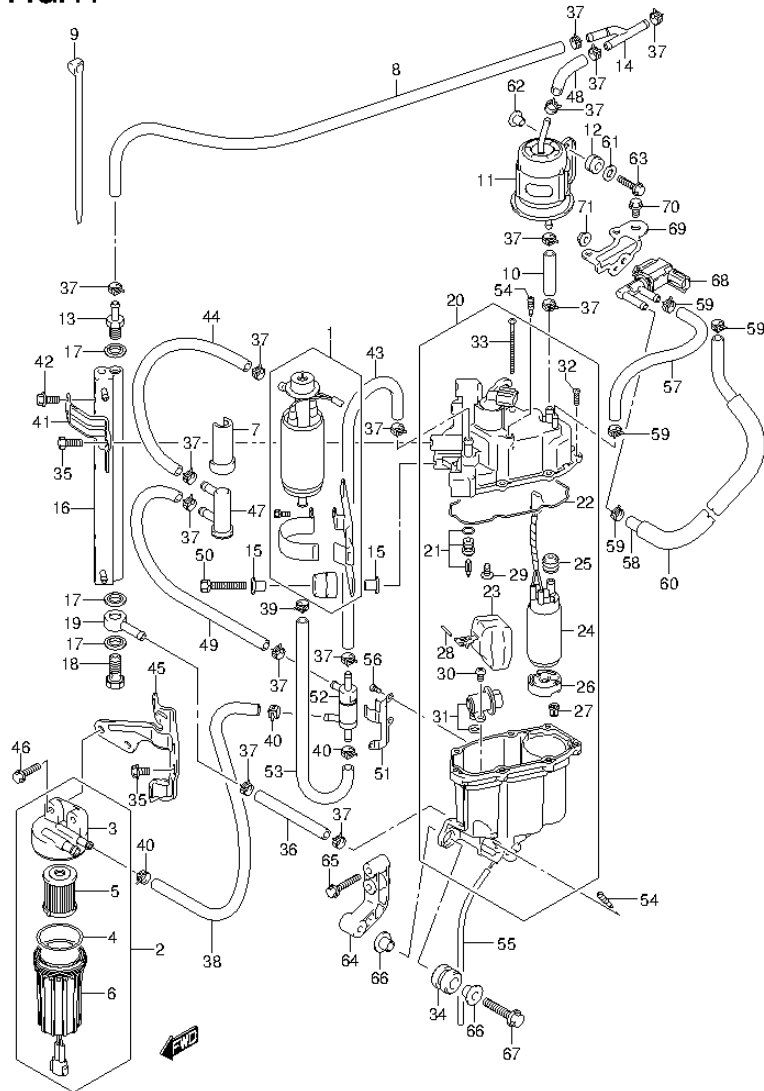
DF250 E03 012_044
FUEL PUMP/FUEL VAPOR SEPARATOR

FIG.44 (1-F-12) FUEL PUMP/FUEL VAPOR SEPARATOR (DF250T E03)

REF NO.	PART NO.	DESCRIPTION	Q'TY	REMARKS
35	15675-93J00	BOLT, COOLER BRACKET	3	
36	09343-75001-600	HOSE (7.5X13.5X600)	1	L:600->50
37	09401-11414	CLIP (ID:11.5)	14	
38	15636-98J20	HOSE, FUEL (L)	1	
39	15686-93J00	CLIP	1	
40	15685-93J00	CLIP	3	
41	15672-93J00	BRACKET, FUEL COOLER	1	
42	01500-06167	BOLT	4	
43	15635-93J20	HOSE, FUEL (H)	1	
44	15632-93J20	HOSE, FUEL (H)	1	
45	15673-98J00	BRACKET, FUEL FILTER	1	
46	01550-06257	BOLT	2	
47	15643-93J00	FILTER, FUEL (L)	1	
48	09343-75001-600	HOSE (7.5X13.5X600)	1	L:600->60
49	15634-93J20	HOSE, FUEL (H)	1	
50	01570-06357	BOLT	2	
51	15674-93J00	BRACKET, CHECK VALVE	1	
52	15645-93J00	VALVE, CHECK	1	
53	15637-93J20	HOSE, FUEL (L)	1	
54	15629-99E10	SCREW, DRAIN	2	
55	15683-87J00	HOSE, DRAIN	1	
56	02112-0406B	SCREW	3	
57	09352-50823-600	HOSE (5X8.2X600)	1	L:600->220
58	09352-50823-600	HOSE (5X8.2X600)	1	L:600->550
59	09401-08412	CLIP	4	
60	18498-87JC0	PROTECTOR, EVAP HOSE (L:450)	1	
61	09160-06084	WASHER (6.5X18X1.6)	2	
62	09169-06062	WASHER	2	
63	01500-06257	BOLT	2	
64	15671-93J00	BRACKET, VAPOR SEPARATOR	1	
65	01550-06357	BOLT	2	
66	09169-08042	WASHER	6	
67	01550-08407	BOLT	3	
68	18117-52G10	VALVE ASSY, EVAP PURGE	1	

DF250 E03 012

FIG.44



DF250 E03 012_044
FUEL PUMP/FUEL VAPOR SEPARATOR

FIG.44 (1-F-13) FUEL PUMP/FUEL VAPOR SEPARATOR (DF250T E03)

REF NO.	PART NO.	DESCRIPTION	Q'TY	REMARKS
69	18417-93J00	BRACKET, PURGE VALVE	1	
70	01550-06127	BOLT	2	
71	08316-10067	NUT	1	

DF250 E03 012

FIG.45

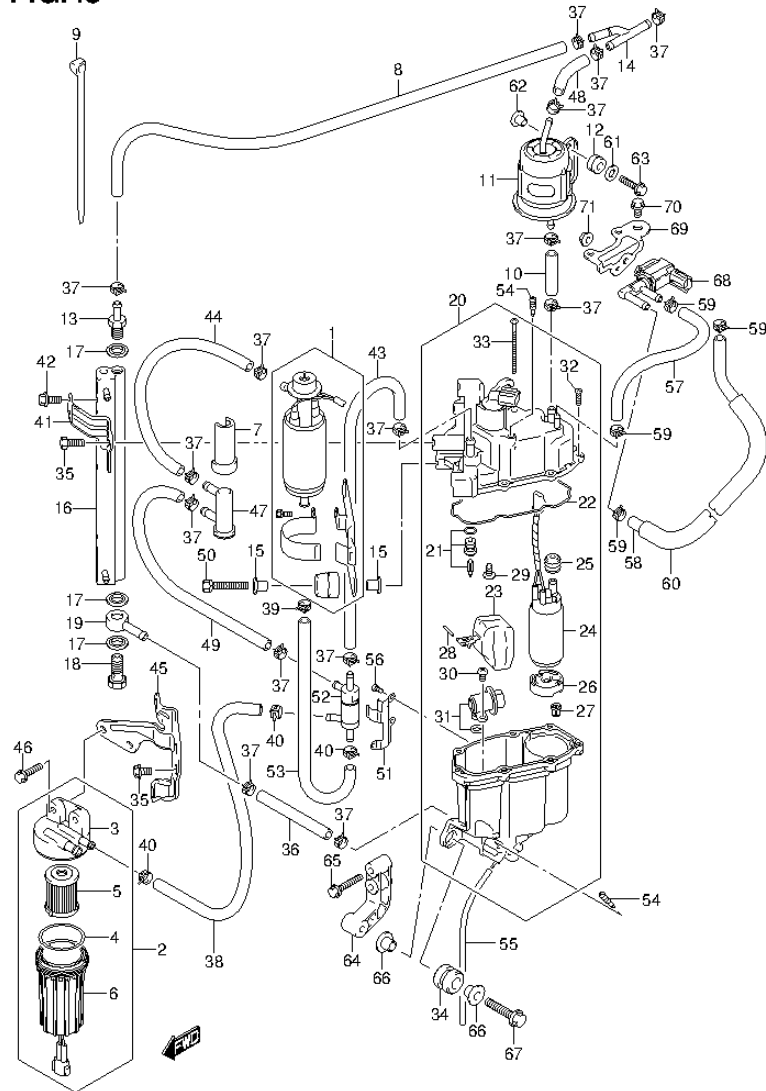


FIG.45 (1-F-14) FUEL PUMP/FUEL VAPOR SEPARATOR (DF250Z E03)

REF NO.	PART NO.	DESCRIPTION	Q'TY	REMARKS
1	15100-94900	PUMP ASSY, FUEL (L)	1	
2	15410-93J10	FILTER, FUEL (L)	1	
3	15411-93J10	.CAP, FILTER	1	
4	15415-93J10	.SEAL, NO.1	1	
5	15412-93J10	.FILTER ASSY, FUEL	1	
6	15413-93J10	.CASE ASSY, FILTER	1	
7	15644-93J00	COVER, FUEL FILTER	3	
8	15633-93J20	HOSE, FUEL (H)	1	
9	15646-93J00	CLAMP, FUEL FILTER	1	
10	09343-75001-600	HOSE (7.5X13.5X600)	1	L:600->65
11	15440-93J00	FILTER, FUEL (EPI)	1	
12	09320-08501	CUSHION	2	
13	15773-90J00	UNION, FUEL HOSE (H)	1	
14	15830-93J00	UNION, 3 WAY	1	
15	09169-06062	WASHER	4	
16	15770-93J00	COOLER, FUEL	1	
17	09168-12013	GASKET (11.8X22X1.2)	3	
18	09360-12008	UNION	1	
19	09363-08004	UNION	1	
20	15600-93J01	SEPARATOR ASSY, FUEL VAPOR	1	
21	13370-93J00	.VALVE ASSY, NEEDLE	1	
22	15626-93J00	.GASKET, SEPARATOR	1	
23	15650-93J00	.FLOAT ASSY	1	
24	15200-93J01	.PUMP ASSY, FUEL (H)	1	
25	15647-93J00	.BUSH, FUEL PUMP	1	
26	15641-90J00	.SPACER, FUEL PUMP	1	
27	15642-90J00	.FILTER, FUEL PUMP	1	
28	15654-99E00	.PIN, FLOAT	1	
29	02142-0408B	.SCREW	1	
30	02112-05107	.SCREW	1	
31	15760-93J00	.REGULATOR, FUEL PRESSURE	1	
32	15628-99E00	.SCREW	6	
33	15627-93J00	.SCREW	1	
34	09320-12072	CUSHION	3	

FIG.45

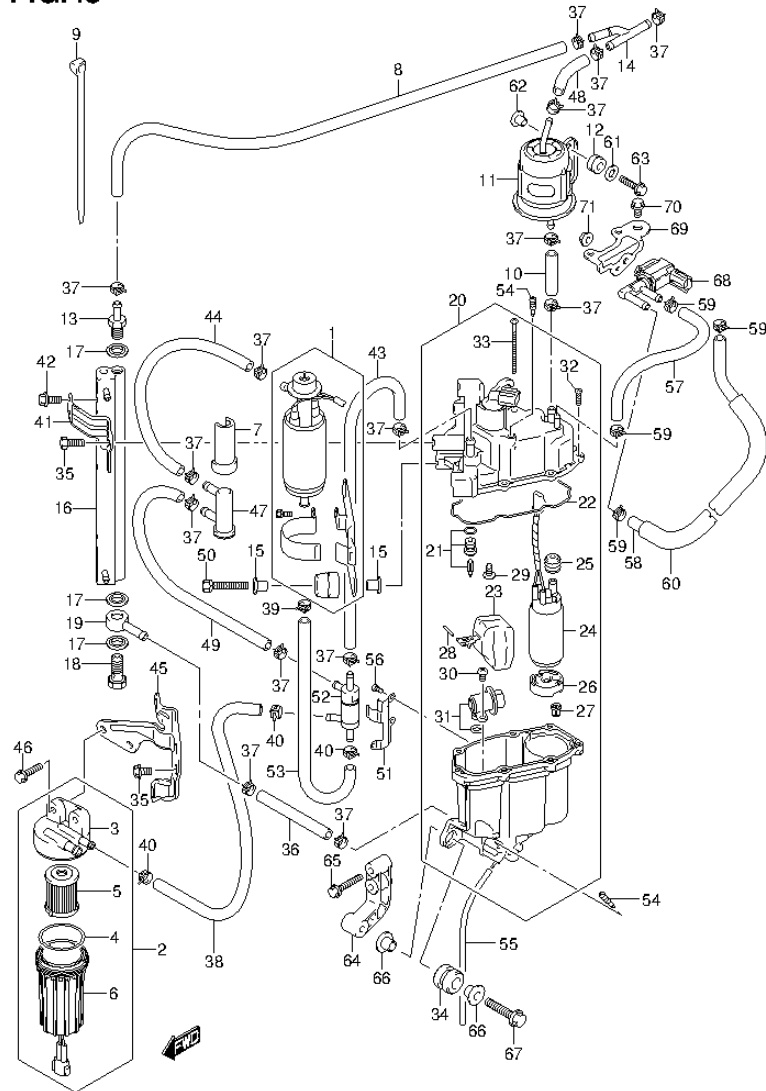
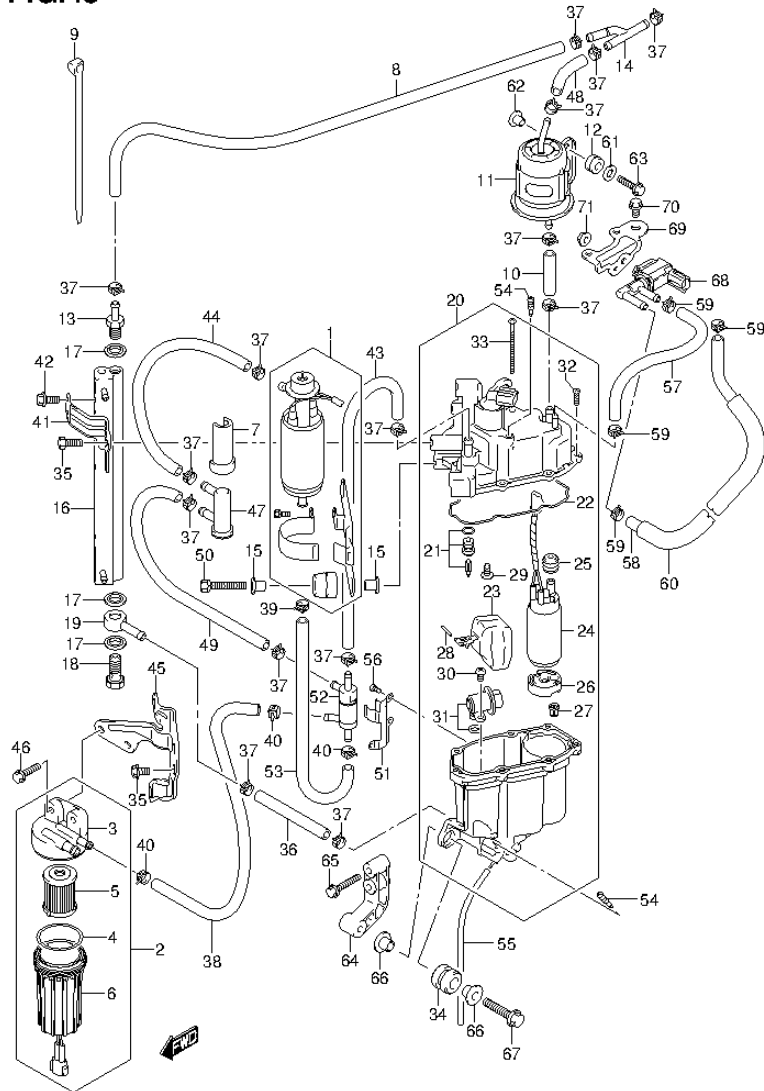


FIG.45 (1-F-15) FUEL PUMP/FUEL VAPOR SEPARATOR (DF250Z E03)

REF NO.	PART NO.	DESCRIPTION	Q'TY	REMARKS
35	15675-93J00	BOLT, COOLER BRACKET	3	
36	09343-75001-600	HOSE (7.5X13.5X600)	1	L:600->50
37	09401-11414	CLIP (ID:11.5)	14	
38	15636-98J20	HOSE, FUEL (L)	1	
39	15686-93J00	CLIP	1	
40	15685-93J00	CLIP	3	
41	15672-93J00	BRACKET, FUEL COOLER	1	
42	01500-06167	BOLT	4	
43	15635-93J20	HOSE, FUEL (H)	1	
44	15632-93J20	HOSE, FUEL (H)	1	
45	15673-98J00	BRACKET, FUEL FILTER	1	
46	01550-06257	BOLT	2	
47	15643-93J00	FILTER, FUEL (L)	1	
48	09343-75001-600	HOSE (7.5X13.5X600)	1	L:600->60
49	15634-93J20	HOSE, FUEL (H)	1	
50	01570-06357	BOLT	2	
51	15674-93J00	BRACKET, CHECK VALVE	1	
52	15645-93J00	VALVE, CHECK	1	
53	15637-93J20	HOSE, FUEL (L)	1	
54	15629-99E10	SCREW, DRAIN	2	
55	15683-87J00	HOSE, DRAIN	1	
56	02112-0406B	SCREW	3	
57	09352-50823-600	HOSE (5X8.2X600)	1	L:600->220
58	09352-50823-600	HOSE (5X8.2X600)	1	L:600->550
59	09401-08412	CLIP	4	
60	18498-87JC0	PROTECTOR, EVAP HOSE (L:450)	1	
61	09160-06084	WASHER (6.5X18X1.6)	2	
62	09169-06062	WASHER	2	
63	01500-06257	BOLT	2	
64	15671-93J00	BRACKET, VAPOR SEPARATOR	1	
65	01550-06357	BOLT	2	
66	09169-08042	WASHER	6	
67	01550-08407	BOLT	3	
68	18117-52G10	VALVE ASSY, EVAP PURGE	1	

FIG.45



DF250 E03 012_045
FUEL PUMP/FUEL VAPOR SEPARATOR

FIG.45 (1-G-2) FUEL PUMP/FUEL VAPOR SEPARATOR (DF250Z E03)

REF NO.	PART NO.	DESCRIPTION	Q'TY	REMARKS
69	18417-93J00	BRACKET, PURGE VALVE	1	
70	01550-06127	BOLT	2	
71	08316-10067	NUT	1	

DF250 E03 012

FIG.46

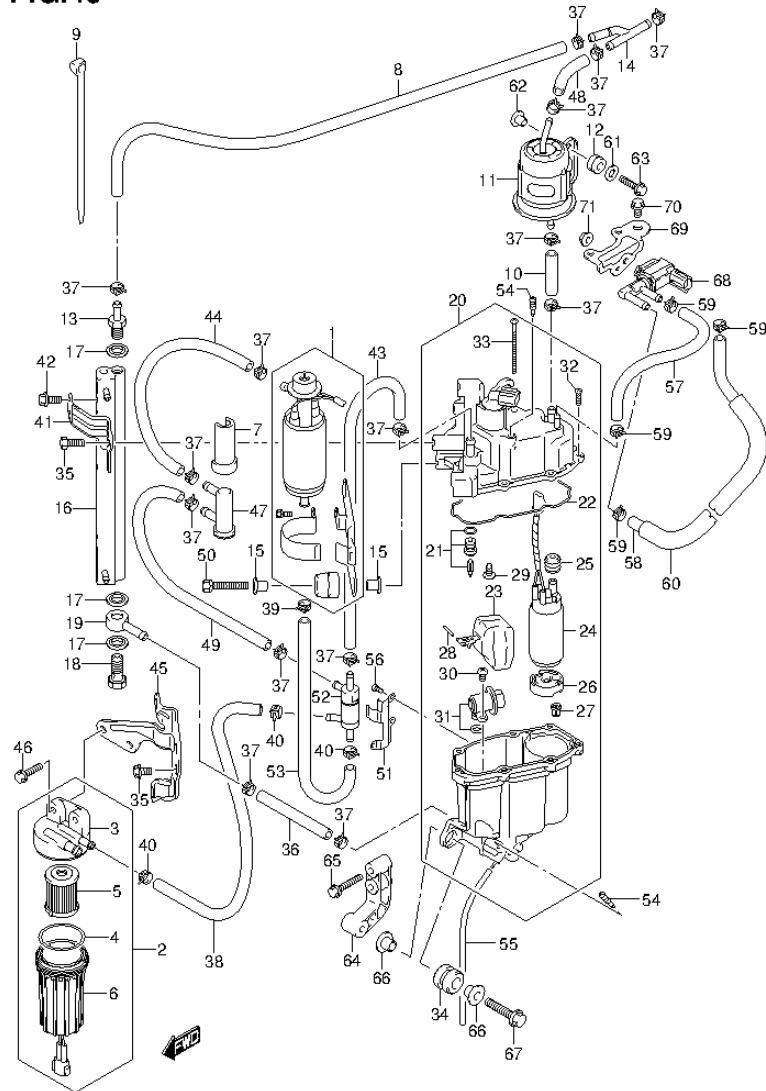


FIG.46 (1-G-3) FUEL PUMP/FUEL VAPOR SEPARATOR (DF250ST E03)

REF NO.	PART NO.	DESCRIPTION	Q'TY	REMARKS
1	15100-94900	PUMP ASSY, FUEL (L)	1	
2	15410-93J10	FILTER, FUEL (L)	1	
3	15411-93J10	.CAP, FILTER	1	
4	15415-93J10	.SEAL, NO.1	1	
5	15412-93J10	.FILTER ASSY, FUEL	1	
6	15413-93J10	.CASE ASSY, FILTER	1	
7	15644-93J00	COVER, FUEL FILTER	3	
8	15633-93J20	HOSE, FUEL (H)	1	
9	15646-93J00	CLAMP, FUEL FILTER	1	
10	09343-75001-600	HOSE (7.5X13.5X600)	1	L:600->65
11	15440-93J00	FILTER, FUEL (EPI)	1	
12	09320-08501	CUSHION	2	
13	15773-90J00	UNION, FUEL HOSE (H)	1	
14	15830-93J00	UNION, 3 WAY	1	
15	09169-06062	WASHER	4	
16	15770-93J00	COOLER, FUEL	1	
17	09168-12013	GASKET (11.8X22X1.2)	3	
18	09360-12008	UNION	1	
19	09363-08004	UNION	1	
20	15600-98J00	SEPARATOR ASSY, FUEL VAPOR	1	
21	13370-93J00	.VALVE ASSY, NEEDLE	1	
22	15626-93J00	.GASKET, SEPARATOR	1	
23	15650-93J00	.FLOAT ASSY	1	
24	15200-98J00	.PUMP ASSY, FUEL (H)	1	
25	15647-93J00	.BUSH, FUEL PUMP	1	
26	15641-90J00	.SPACER, FUEL PUMP	1	
27	15642-90J00	.FILTER, FUEL PUMP	1	
28	15654-99E00	.PIN, FLOAT	1	
29	02142-0408B	.SCREW	1	
30	02112-05107	.SCREW	1	
31	15760-93J00	.REGULATOR, FUEL PRESSURE	1	
32	15628-99E00	.SCREW	6	
33	15627-93J00	.SCREW	1	
34	09320-12072	CUSHION	3	

FIG.46

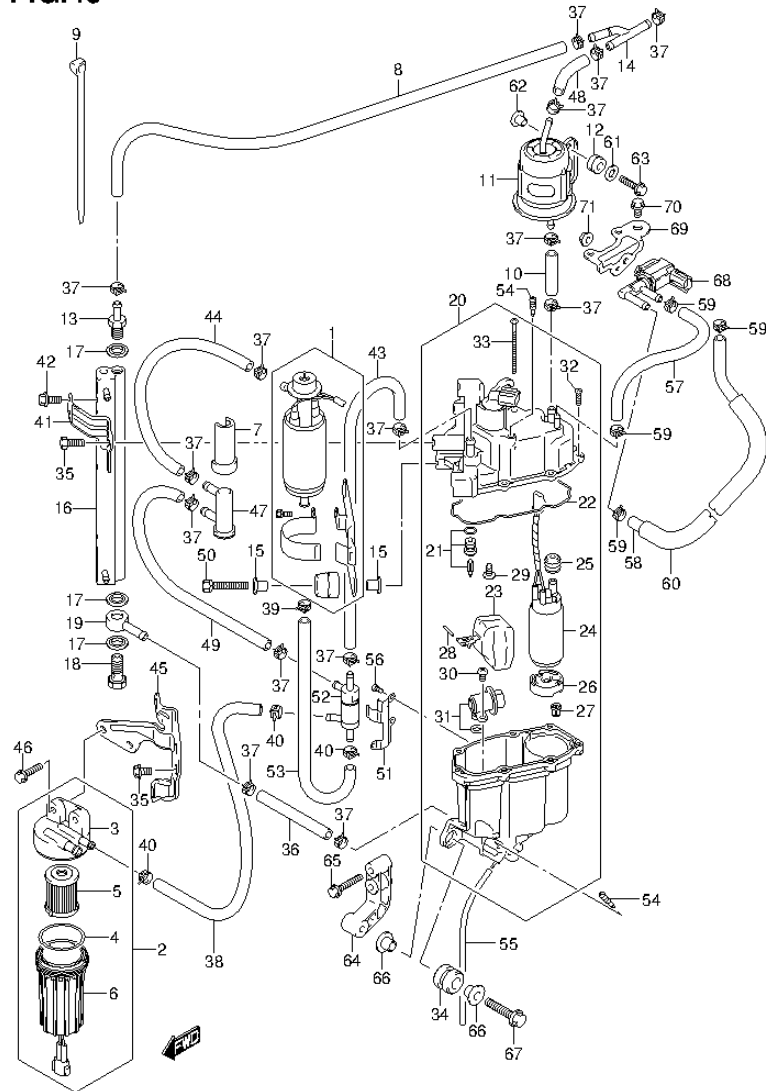
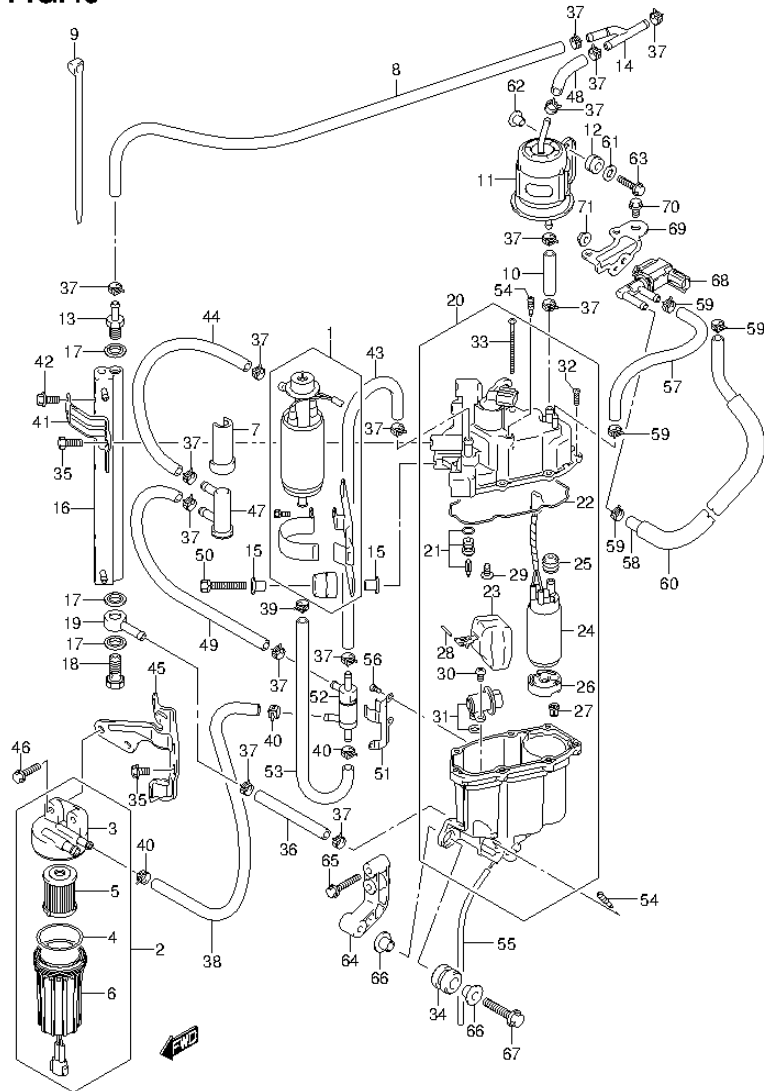


FIG.46 (1-G-4) FUEL PUMP/FUEL VAPOR SEPARATOR (DF250ST E03)

REF NO.	PART NO.	DESCRIPTION	Q'TY	REMARKS
35	15675-93J00	BOLT, COOLER BRACKET	3	
36	09343-75001-600	HOSE (7.5X13.5X600)	1	L:600->50
37	09401-11414	CLIP (ID:11.5)	14	
38	15636-98J20	HOSE, FUEL (L)	1	
39	15686-93J00	CLIP	1	
40	15685-93J00	CLIP	3	
41	15672-93J00	BRACKET, FUEL COOLER	1	
42	01500-06167	BOLT	4	
43	15635-93J20	HOSE, FUEL (H)	1	
44	15632-93J20	HOSE, FUEL (H)	1	
45	15673-98J00	BRACKET, FUEL FILTER	1	
46	01550-06257	BOLT	2	
47	15643-93J00	FILTER, FUEL (L)	1	
48	09343-75001-600	HOSE (7.5X13.5X600)	1	L:600->60
49	15634-93J20	HOSE, FUEL (H)	1	
50	01570-06357	BOLT	2	
51	15674-93J00	BRACKET, CHECK VALVE	1	
52	15645-93J00	VALVE, CHECK	1	
53	15637-93J20	HOSE, FUEL (L)	1	
54	15629-99E10	SCREW, DRAIN	2	
55	15683-87J00	HOSE, DRAIN	1	
56	02112-0406B	SCREW	3	
57	09352-50823-600	HOSE (5X8.2X600)	1	L:600->220
58	09352-50823-600	HOSE (5X8.2X600)	1	L:600->550
59	09401-08412	CLIP	4	
60	18498-87JC0	PROTECTOR, EVAP HOSE (L:450)	1	
61	09160-06084	WASHER (6.5X18X1.6)	2	
62	09169-06062	WASHER	2	
63	01500-06257	BOLT	2	
64	15671-93J00	BRACKET, VAPOR SEPARATOR	1	
65	01550-06357	BOLT	2	
66	09169-08042	WASHER	6	
67	01550-08407	BOLT	3	
68	18117-52G10	VALVE ASSY, EVAP PURGE	1	

FIG.46



DF250 E03 012_046
FUEL PUMP/FUEL VAPOR SEPARATOR

FIG.46 (1-G-5) FUEL PUMP/FUEL VAPOR SEPARATOR (DF250ST E03)

REF NO.	PART NO.	DESCRIPTION	Q'TY	REMARKS
69	18417-93J00	BRACKET, PURGE VALVE	1	
70	01550-06127	BOLT	2	
71	08316-10067	NUT	1	

DF250 E03 012

FIG.47

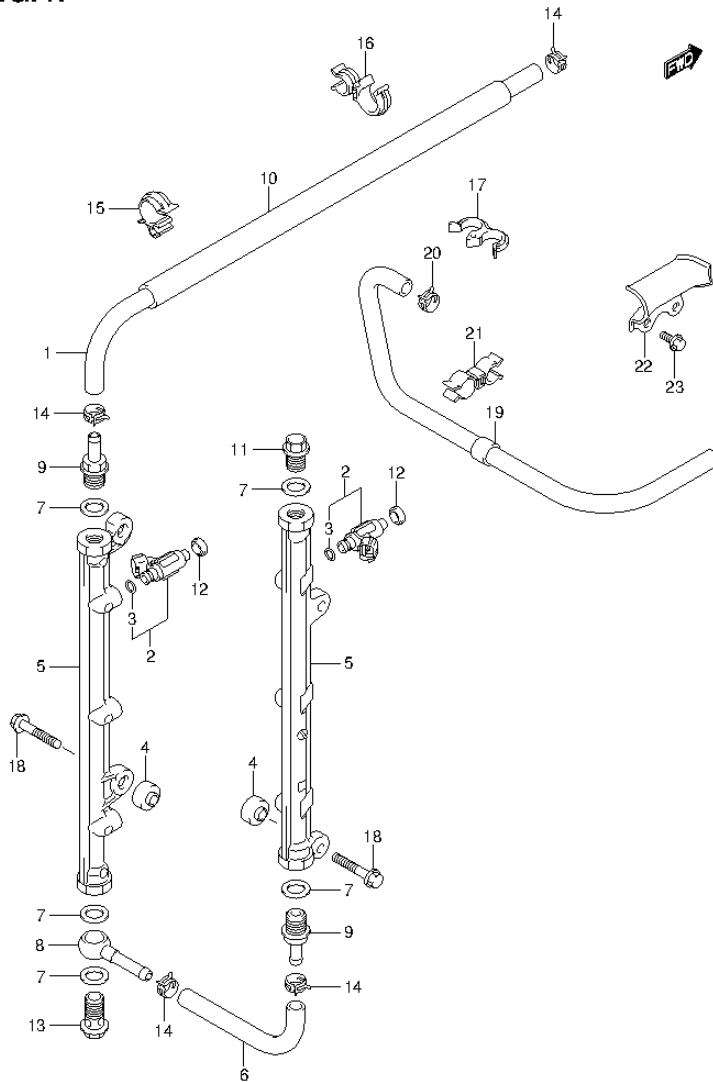


FIG.47 (1-G-6) FUEL INJECTOR (DF200T E03)

REF NO.	PART NO.	DESCRIPTION	Q'TY	REMARKS
1	15681-93J01	HOSE, FUEL (3WAY TO DLVY PIPE)	1	
2	15710-93J00	INJECTOR ASSY, FUEL	6	
3	15717-16G00	.O RING	6	
4	15735-58B00	INSULATOR, DELIVERY PIPE	4	
5	15751-93J00	PIPE, DELIVERY	2	
6	15756-93J01	HOSE, FUEL (DLVY TO DLVY)	1	
7	15762-93J00	GASKET, DELIVERY PIPE	5	
8	15830-77EA0	UNION, DELIVERY PIPE	1	
9	15831-93J00	UNION, DELIVERY PIPE	2	
10	18498-93J00	PROTECTOR, FUEL HOSE (L:340)	1	
11	09247-14041	PLUG (14X14)	1	
12	09320-08062	CUSHION	6	
13	09360-14009	UNION	1	
14	09401-11425	CLIP	4	
15	09403-16307	CLAMP	1	
16	09408-00105	CLAMP	1	
17	09408-00155	CLAMP	1	
18	01550-08407	BOLT	4	
19	15680-93J21	HOSE, FUEL (PUMP TO FILTER)	1	
20	09401-13423	CLIP	1	
21	09408-00135	CLIP	2	
22	15684-98J00	GUIDE, FUEL HOSE	1	
23	01550-06107	BOLT	2	

FIG.48

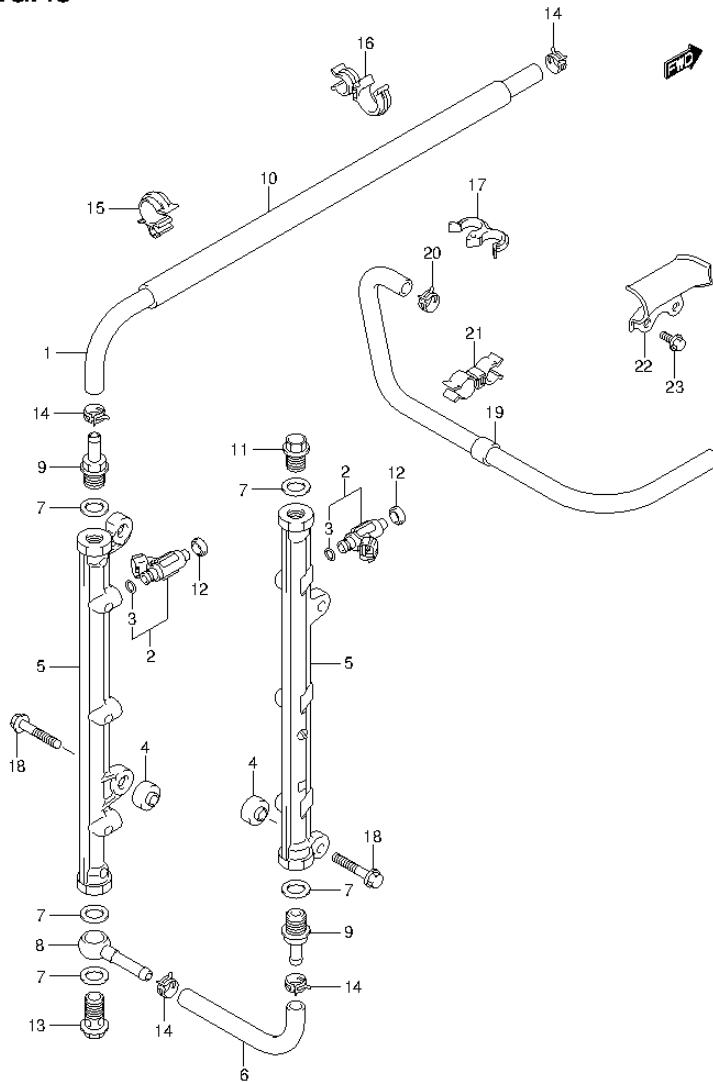


FIG.48 (1-G-7) FUEL INJECTOR (DF200Z E03)

REF NO.	PART NO.	DESCRIPTION	Q'TY	REMARKS
1	15681-93J01	HOSE, FUEL (3WAY TO DLVY PIPE)	1	
2	15710-93J00	INJECTOR ASSY, FUEL	6	
3	15717-16G00	.O RING	6	
4	15735-58B00	INSULATOR, DELIVERY PIPE	4	
5	15751-93J00	PIPE, DELIVERY	2	
6	15756-93J01	HOSE, FUEL (DLVY TO DLVY)	1	
7	15762-93J00	GASKET, DELIVERY PIPE	5	
8	15830-77EA0	UNION, DELIVERY PIPE	1	
9	15831-93J00	UNION, DELIVERY PIPE	2	
10	18498-93J00	PROTECTOR, FUEL HOSE (L:340)	1	
11	09247-14041	PLUG (14X14)	1	
12	09320-08062	CUSHION	6	
13	09360-14009	UNION	1	
14	09401-11425	CLIP	4	
15	09403-16307	CLAMP	1	
16	09408-00105	CLAMP	1	
17	09408-00155	CLAMP	1	
18	01550-08407	BOLT	4	
19	15680-93J21	HOSE, FUEL (PUMP TO FILTER)	1	
20	09401-13423	CLIP	1	
21	09408-00135	CLIP	2	
22	15684-98J00	GUIDE, FUEL HOSE	1	
23	01550-06107	BOLT	2	

FIG.49

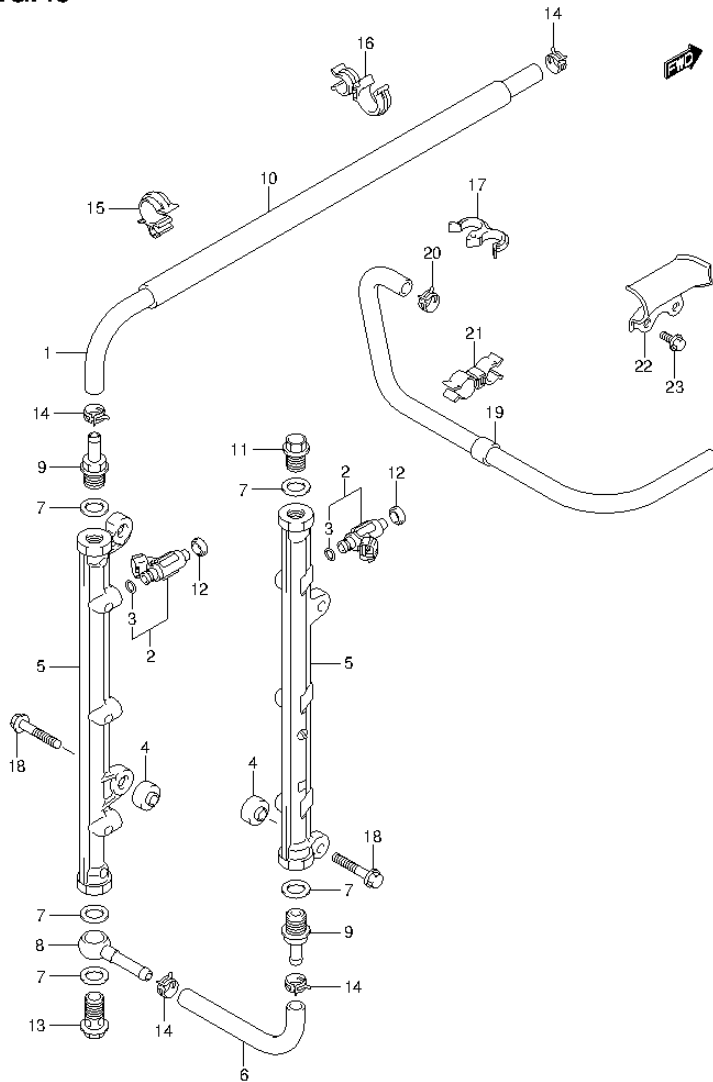


FIG.49 (1-G-8) FUEL INJECTOR (DF225T E03)

REF NO.	PART NO.	DESCRIPTION	Q'TY	REMARKS
1	15681-93J01	HOSE, FUEL (3WAY TO DLVY PIPE)	1	
2	15710-93J00	INJECTOR ASSY, FUEL	6	
3	15717-16G00	.O RING	6	
4	15735-58B00	INSULATOR, DELIVERY PIPE	4	
5	15751-93J00	PIPE, DELIVERY	2	
6	15756-93J01	HOSE, FUEL (DLVY TO DLVY)	1	
7	15762-93J00	GASKET, DELIVERY PIPE	5	
8	15830-77EA0	UNION, DELIVERY PIPE	1	
9	15831-93J00	UNION, DELIVERY PIPE	2	
10	18498-93J00	PROTECTOR, FUEL HOSE (L:340)	1	
11	09247-14041	PLUG (14X14)	1	
12	09320-08062	CUSHION	6	
13	09360-14009	UNION	1	
14	09401-11425	CLIP	4	
15	09403-16307	CLAMP	1	
16	09408-00105	CLAMP	1	
17	09408-00155	CLAMP	1	
18	01550-08407	BOLT	4	
19	15680-93J21	HOSE, FUEL (PUMP TO FILTER)	1	
20	09401-13423	CLIP	1	
21	09408-00135	CLIP	2	
22	15684-98J00	GUIDE, FUEL HOSE	1	
23	01550-06107	BOLT	2	

FIG.50

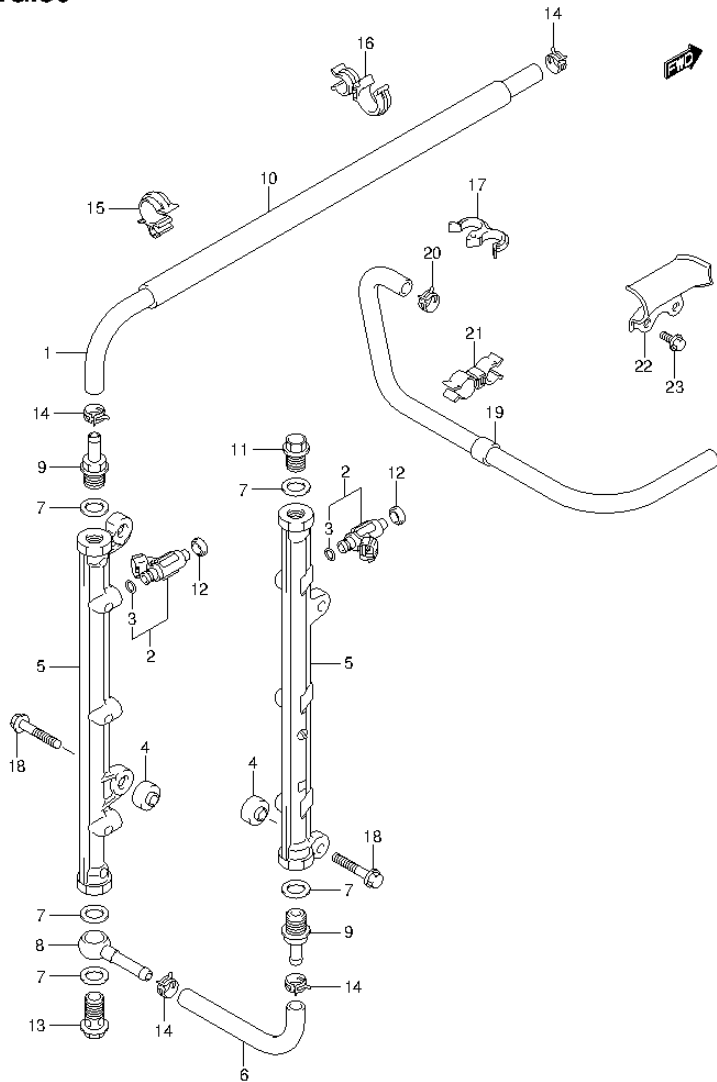


FIG.50 (1-G-9) FUEL INJECTOR (DF225Z E03)

REF NO.	PART NO.	DESCRIPTION	Q'TY	REMARKS
1	15681-93J01	HOSE, FUEL (3WAY TO DLVY PIPE)	1	
2	15710-93J00	INJECTOR ASSY, FUEL	6	
3	15717-16G00	.O RING	6	
4	15735-58B00	INSULATOR, DELIVERY PIPE	4	
5	15751-93J00	PIPE, DELIVERY	2	
6	15756-93J01	HOSE, FUEL (DLVY TO DLVY)	1	
7	15762-93J00	GASKET, DELIVERY PIPE	5	
8	15830-77EA0	UNION, DELIVERY PIPE	1	
9	15831-93J00	UNION, DELIVERY PIPE	2	
10	18498-93J00	PROTECTOR, FUEL HOSE (L:340)	1	
11	09247-14041	PLUG (14X14)	1	
12	09320-08062	CUSHION	6	
13	09360-14009	UNION	1	
14	09401-11425	CLIP	4	
15	09403-16307	CLAMP	1	
16	09408-00105	CLAMP	1	
17	09408-00155	CLAMP	1	
18	01550-08407	BOLT	4	
19	15680-93J21	HOSE, FUEL (PUMP TO FILTER)	1	
20	09401-13423	CLIP	1	
21	09408-00135	CLIP	2	
22	15684-98J00	GUIDE, FUEL HOSE	1	
23	01550-06107	BOLT	2	

FIG.51

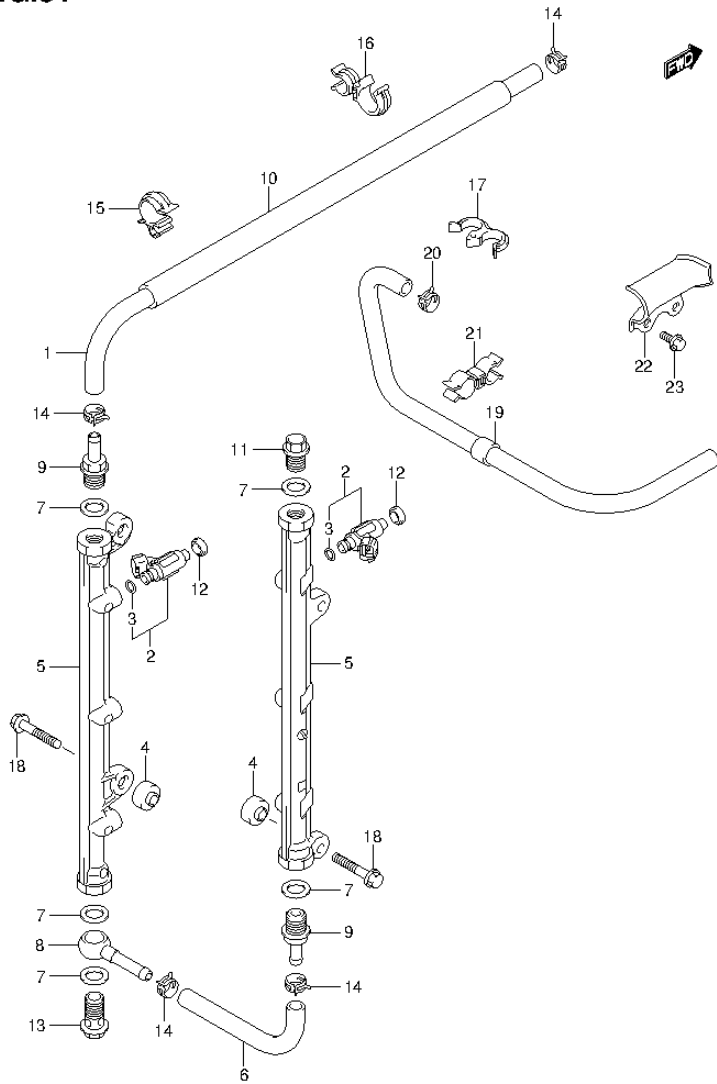


FIG.51 (1-G-10) FUEL INJECTOR (DF250T E03)

REF NO.	PART NO.	DESCRIPTION	Q'TY	REMARKS
1	15681-93J01	HOSE, FUEL (3WAY TO DLVY PIPE)	1	
2	15710-93J00	INJECTOR ASSY, FUEL	6	
3	15717-16G00	.O RING	6	
4	15735-58B00	INSULATOR, DELIVERY PIPE	4	
5	15751-93J00	PIPE, DELIVERY	2	
6	15756-93J01	HOSE, FUEL (DLVY TO DLVY)	1	
7	15762-93J00	GASKET, DELIVERY PIPE	5	
8	15830-77EA0	UNION, DELIVERY PIPE	1	
9	15831-93J00	UNION, DELIVERY PIPE	2	
10	18498-93J00	PROTECTOR, FUEL HOSE (L:340)	1	
11	09247-14041	PLUG (14X14)	1	
12	09320-08062	CUSHION	6	
13	09360-14009	UNION	1	
14	09401-11425	CLIP	4	
15	09403-16307	CLAMP	1	
16	09408-00105	CLAMP	1	
17	09408-00155	CLAMP	1	
18	01550-08407	BOLT	4	
19	15680-93J21	HOSE, FUEL (PUMP TO FILTER)	1	
20	09401-13423	CLIP	1	
21	09408-00135	CLIP	2	
22	15684-98J00	GUIDE, FUEL HOSE	1	
23	01550-06107	BOLT	2	

FIG.52

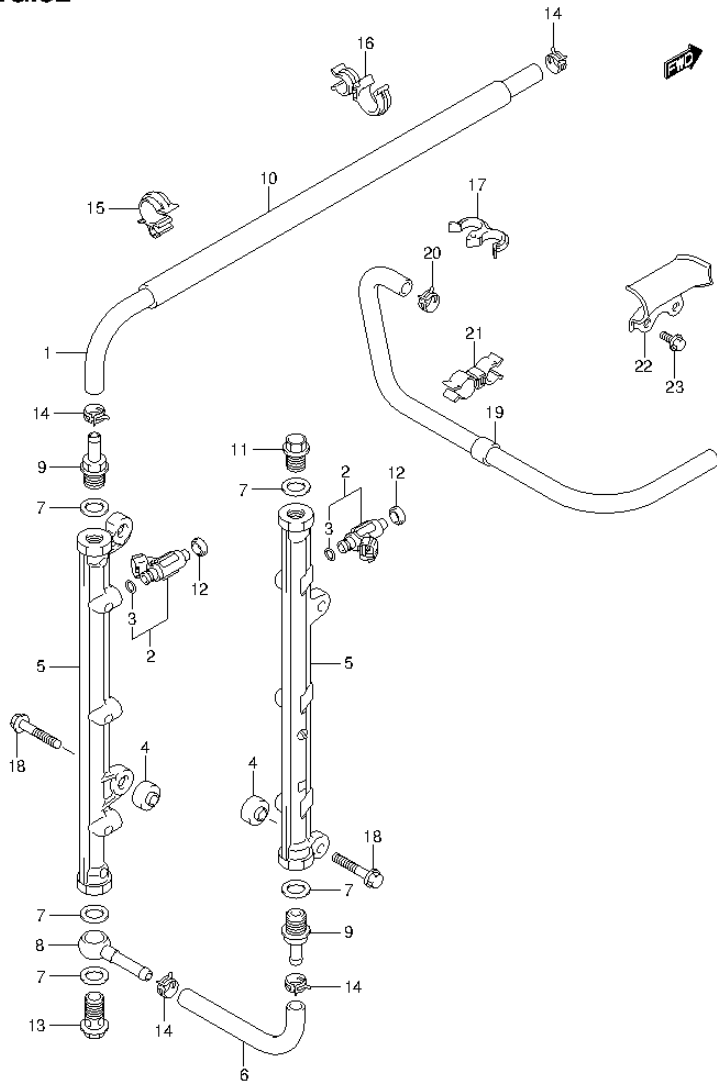


FIG.52 (1-G-11) FUEL INJECTOR (DF250Z E03)

REF NO.	PART NO.	DESCRIPTION	Q'TY	REMARKS
1	15681-93J01	HOSE, FUEL (3WAY TO DLVY PIPE)	1	
2	15710-93J00	INJECTOR ASSY, FUEL	6	
3	15717-16G00	.O RING	6	
4	15735-58B00	INSULATOR, DELIVERY PIPE	4	
5	15751-93J00	PIPE, DELIVERY	2	
6	15756-93J01	HOSE, FUEL (DLVY TO DLVY)	1	
7	15762-93J00	GASKET, DELIVERY PIPE	5	
8	15830-77EA0	UNION, DELIVERY PIPE	1	
9	15831-93J00	UNION, DELIVERY PIPE	2	
10	18498-93J00	PROTECTOR, FUEL HOSE (L:340)	1	
11	09247-14041	PLUG (14X14)	1	
12	09320-08062	CUSHION	6	
13	09360-14009	UNION	1	
14	09401-11425	CLIP	4	
15	09403-16307	CLAMP	1	
16	09408-00105	CLAMP	1	
17	09408-00155	CLAMP	1	
18	01550-08407	BOLT	4	
19	15680-93J21	HOSE, FUEL (PUMP TO FILTER)	1	
20	09401-13423	CLIP	1	
21	09408-00135	CLIP	2	
22	15684-98J00	GUIDE, FUEL HOSE	1	
23	01550-06107	BOLT	2	

FIG.53

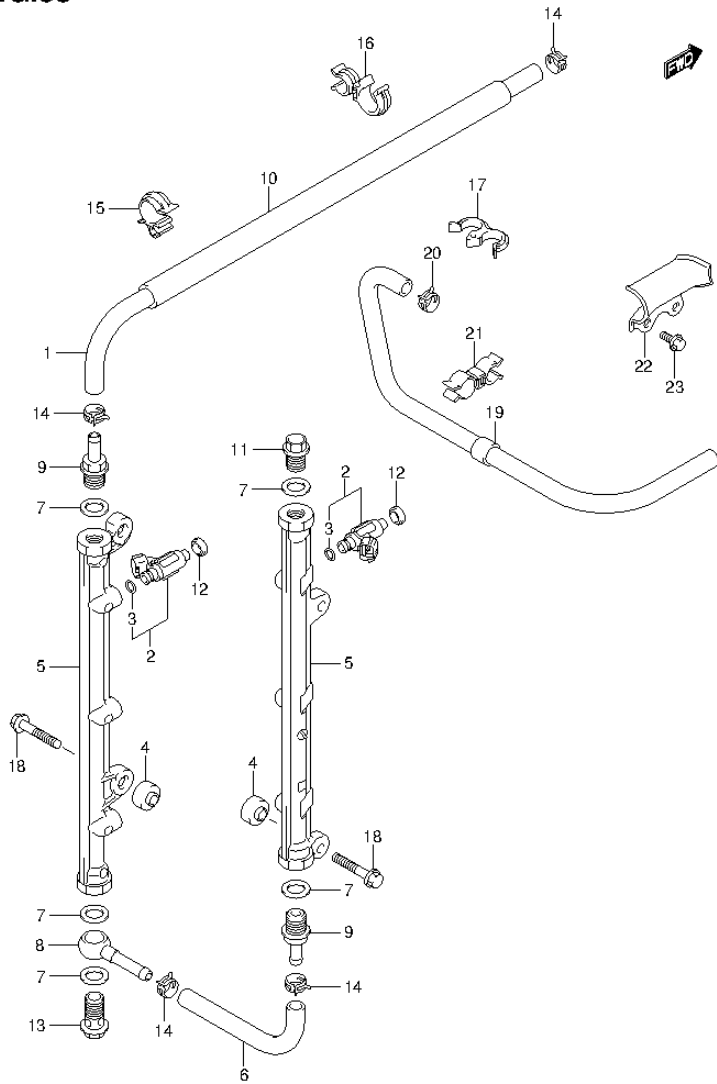


FIG.53 (1-G-12) FUEL INJECTOR (DF250ST E03)

REF NO.	PART NO.	DESCRIPTION	Q'TY	REMARKS
1	15681-93J01	HOSE, FUEL (3WAY TO DLVY PIPE)	1	
2	15710-96J00	INJECTOR ASSY, FUEL	6	
3	15717-16G00	.O RING	6	
4	15735-58B00	INSULATOR, DELIVERY PIPE	4	
5	15751-93J00	PIPE, DELIVERY	2	
6	15756-93J01	HOSE, FUEL (DLVY TO DLVY)	1	
7	15762-93J00	GASKET, DELIVERY PIPE	5	
8	15830-77EA0	UNION, DELIVERY PIPE	1	
9	15831-93J00	UNION, DELIVERY PIPE	2	
10	18498-93J00	PROTECTOR, FUEL HOSE (L:340)	1	
11	09247-14041	PLUG (14X14)	1	
12	09320-08062	CUSHION	6	
13	09360-14009	UNION	1	
14	09401-11425	CLIP	4	
15	09403-16307	CLAMP	1	
16	09408-00105	CLAMP	1	
17	09408-00155	CLAMP	1	
18	01550-08407	BOLT	4	
19	15680-93J21	HOSE, FUEL (PUMP TO FILTER)	1	
20	09401-13423	CLIP	1	
21	09408-00135	CLIP	2	
22	15684-98J00	GUIDE, FUEL HOSE	1	
23	01550-06107	BOLT	2	

FIG.54

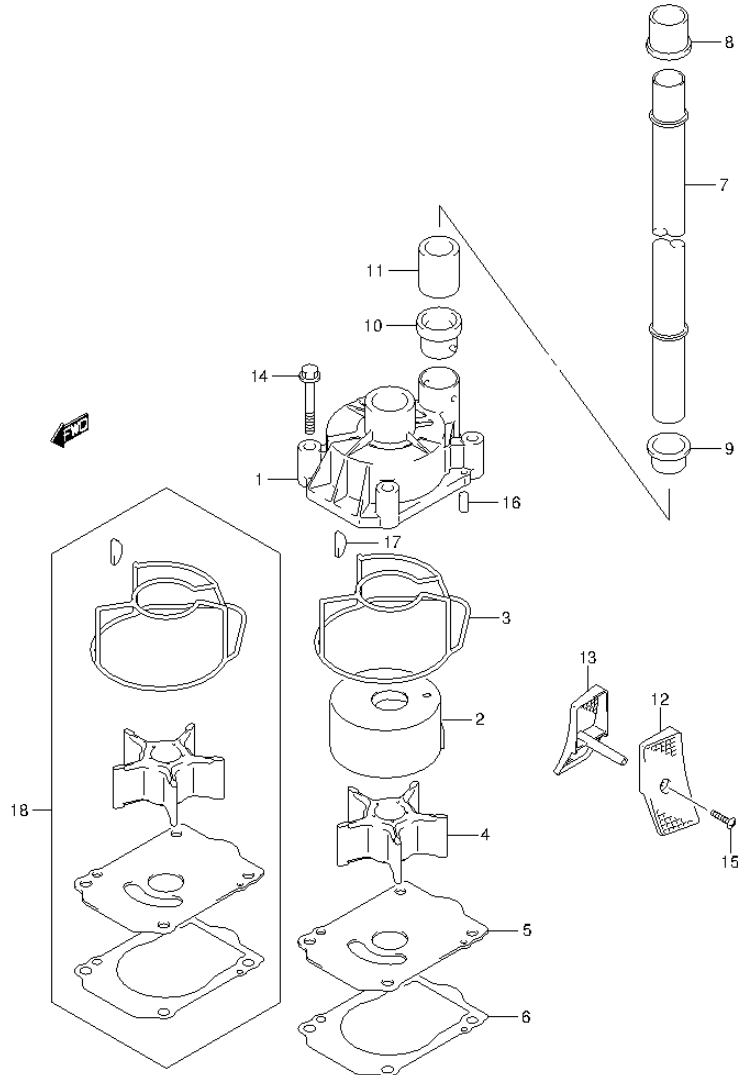


FIG.54 (1-G-13) WATER PUMP (DF200T E03)

REF NO.	PART NO.	DESCRIPTION	Q'TY	REMARKS
1	17410-93J01	CASE, WATER PUMP	1	
2	17413-93J02	SLEEVE, CASE	1	
3	17416-93J00	SEALING, CASE	1	
4	17461-93J00	IMPELLER, WATER PUMP	1	
5	17471-93J02	PANEL, PUMP CASE UNDER	1	
6	17472-93J00	GASKET, PUMP CASE PANEL	1	
7-1	17561-93J03	TUBE, WATER (X)	1	W/TRANSOM(X)
7-2	17561-93J21	TUBE, WATER (L)	1	W/TRANSOM(L)
8	17562-93J00	BUSH, WATER TUBE UPPER	1	
9	17563-93J00	BUSH, WATER TUBE LOWER	1	
10	17564-93J00	BUSH, WATER PUMP CASE	1	
11	17612-93J00	SPACER, WATER TUBE	1	
12-1	17631-93J20	FILTER, WATER PORT SIDE	1	
12-2	17631-93J30	FILTER, WATER PORT SIDE	1	OPT
13-1	17632-93J20	FILTER, WATER STBD SIDE	1	
13-2	17632-93J30	FILTER, WATER STBD SIDE	1	OPT
14	09116-08131	BOLT (8X45)	4	
15	09132-04034	SCREW (4X18)	1	
16	09202-06031	PIN (6X12)	2	
17	09420-05009	KEY	1	
18	17400-93J02	WATER PUMP REPAIR KIT	1	OPT

FIG.55

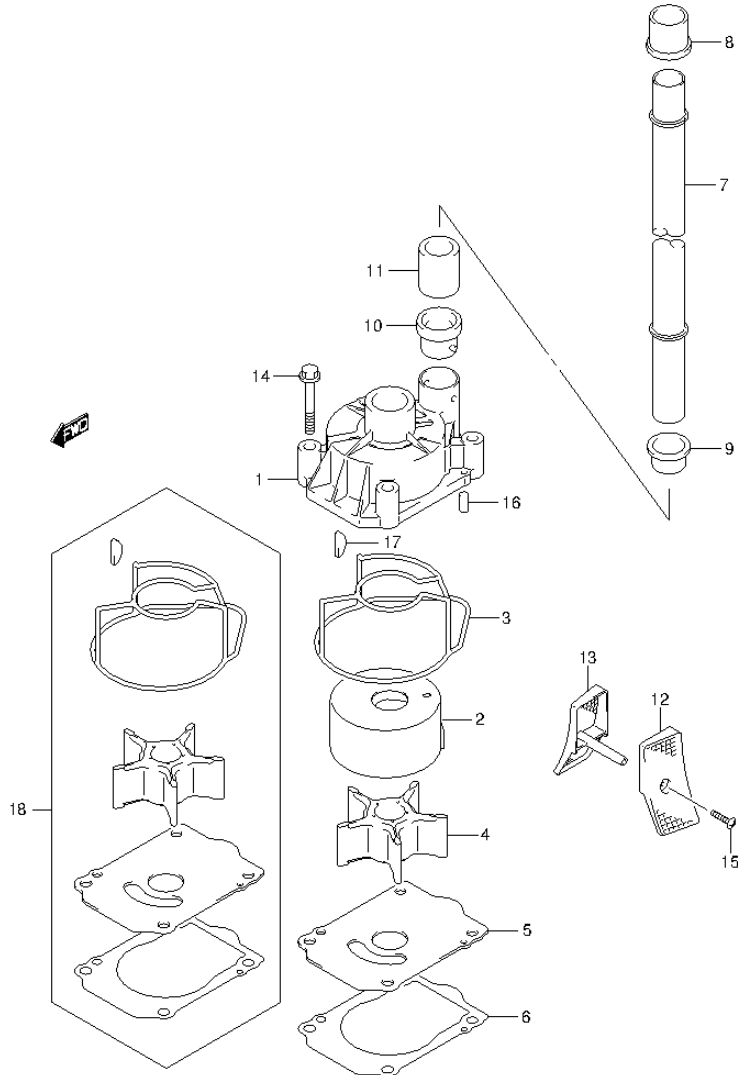


FIG.55 (1-G-14) WATER PUMP (DF200Z E03)

REF NO.	PART NO.	DESCRIPTION	Q'TY	REMARKS
1	17410-93J01	CASE, WATER PUMP	1	
2	17413-93J02	SLEEVE, CASE	1	
3	17416-93J00	SEALING, CASE	1	
4	17461-93J00	IMPELLER, WATER PUMP	1	
5	17471-93J02	PANEL, PUMP CASE UNDER	1	
6	17472-93J00	GASKET, PUMP CASE PANEL	1	
7	17561-93J03	TUBE, WATER (X)	1	
8	17562-93J00	BUSH, WATER TUBE UPPER	1	
9	17563-93J00	BUSH, WATER TUBE LOWER	1	
10	17564-93J00	BUSH, WATER PUMP CASE	1	
11	17612-93J00	SPACER, WATER TUBE	1	
12-1	17631-93J20	FILTER, WATER PORT SIDE	1	
12-2	17631-93J30	FILTER, WATER PORT SIDE	1	OPT
13-1	17632-93J20	FILTER, WATER STBD SIDE	1	
13-2	17632-93J30	FILTER, WATER STBD SIDE	1	OPT
14	09116-08131	BOLT (8X45)	4	
15	09132-04034	SCREW (4X18)	1	
16	09202-06031	PIN (6X12)	2	
17	09420-05009	KEY	1	
18	17400-93J02	WATER PUMP REPAIR KIT	1	OPT

FIG.56

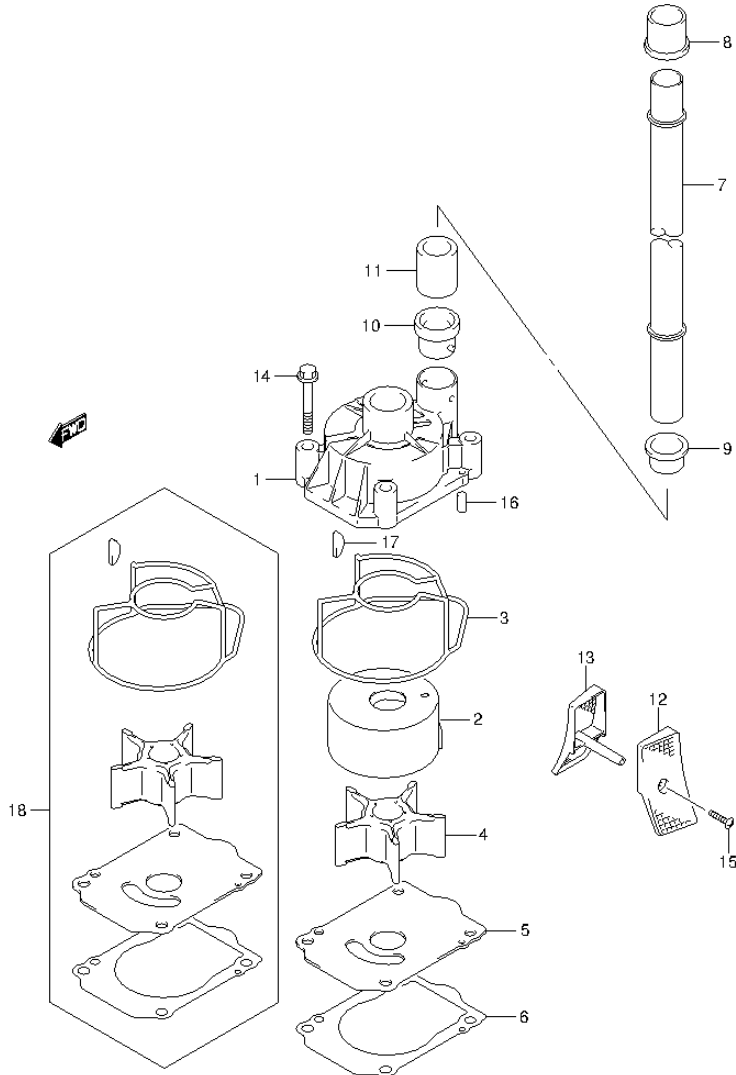


FIG.56 (1-G-15) WATER PUMP (DF225T E03)

REF NO.	PART NO.	DESCRIPTION	Q'TY	REMARKS
1	17410-93J01	CASE, WATER PUMP	1	
2	17413-93J02	SLEEVE, CASE	1	
3	17416-93J00	SEALING, CASE	1	
4	17461-93J00	IMPELLER, WATER PUMP	1	
5	17471-93J02	PANEL, PUMP CASE UNDER	1	
6	17472-93J00	GASKET, PUMP CASE PANEL	1	
7-1	17561-93J03	TUBE, WATER (X)	1	W/TRANSOM(X)
7-2	17561-93J13	TUBE, WATER (XX)	1	W/TRANSOM(XX)
8	17562-93J00	BUSH, WATER TUBE UPPER	1	
9	17563-93J00	BUSH, WATER TUBE LOWER	1	
10	17564-93J00	BUSH, WATER PUMP CASE	1	
11	17612-93J00	SPACER, WATER TUBE	1	
12-1	17631-93J20	FILTER, WATER PORT SIDE	1	
12-2	17631-93J30	FILTER, WATER PORT SIDE	1	OPT
13-1	17632-93J20	FILTER, WATER STBD SIDE	1	
13-2	17632-93J30	FILTER, WATER STBD SIDE	1	OPT
14	09116-08131	BOLT (8X45)	4	
15	09132-04034	SCREW (4X18)	1	
16	09202-06031	PIN (6X12)	2	
17	09420-05009	KEY	1	
18	17400-93J02	WATER PUMP REPAIR KIT	1	OPT

FIG.57

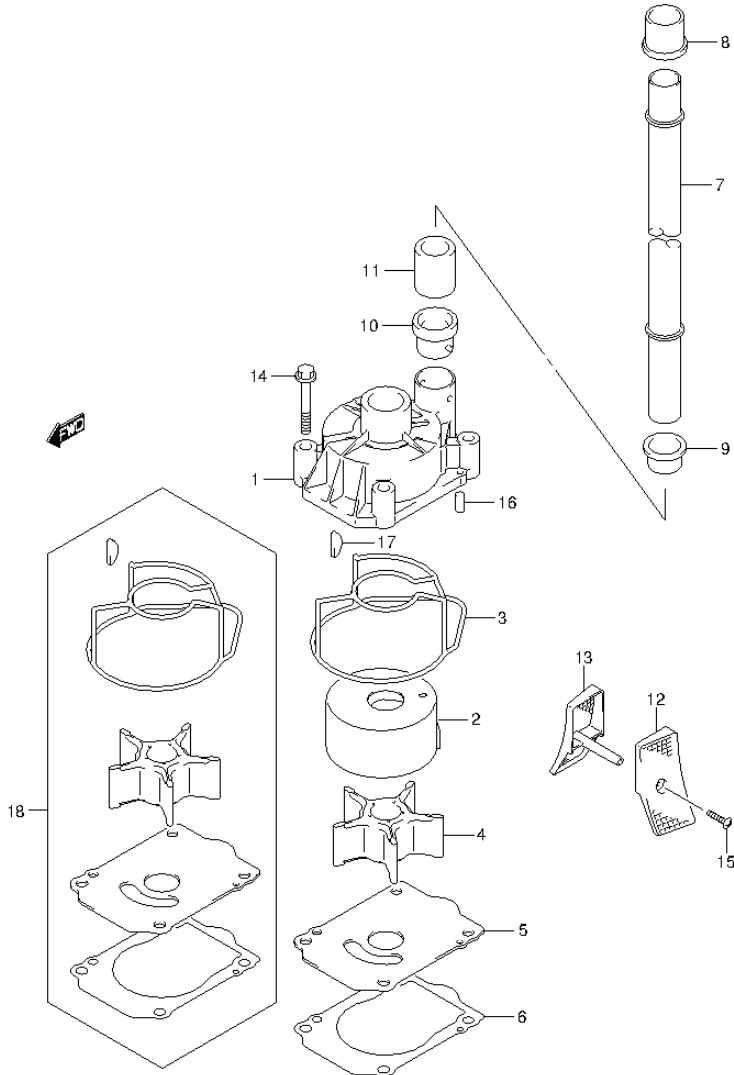


FIG.57 (1-H-2) WATER PUMP (DF225Z E03)

REF NO.	PART NO.	DESCRIPTION	Q'TY	REMARKS
1	17410-93J01	CASE, WATER PUMP	1	
2	17413-93J02	SLEEVE, CASE	1	
3	17416-93J00	SEALING, CASE	1	
4	17461-93J00	IMPELLER, WATER PUMP	1	
5	17471-93J02	PANEL, PUMP CASE UNDER	1	
6	17472-93J00	GASKET, PUMP CASE PANEL	1	
7-1	17561-93J03	TUBE, WATER (X)	1	W/TRANSOM(X)
7-2	17561-93J13	TUBE, WATER (XX)	1	W/TRANSOM(XX)
8	17562-93J00	BUSH, WATER TUBE UPPER	1	
9	17563-93J00	BUSH, WATER TUBE LOWER	1	
10	17564-93J00	BUSH, WATER PUMP CASE	1	
11	17612-93J00	SPACER, WATER TUBE	1	
12-1	17631-93J20	FILTER, WATER PORT SIDE	1	
12-2	17631-93J30	FILTER, WATER PORT SIDE	1	OPT
13-1	17632-93J20	FILTER, WATER STBD SIDE	1	
13-2	17632-93J30	FILTER, WATER STBD SIDE	1	OPT
14	09116-08131	BOLT (8X45)	4	
15	09132-04034	SCREW (4X18)	1	
16	09202-06031	PIN (6X12)	2	
17	09420-05009	KEY	1	
18	17400-93J02	WATER PUMP REPAIR KIT	1	OPT

FIG.58

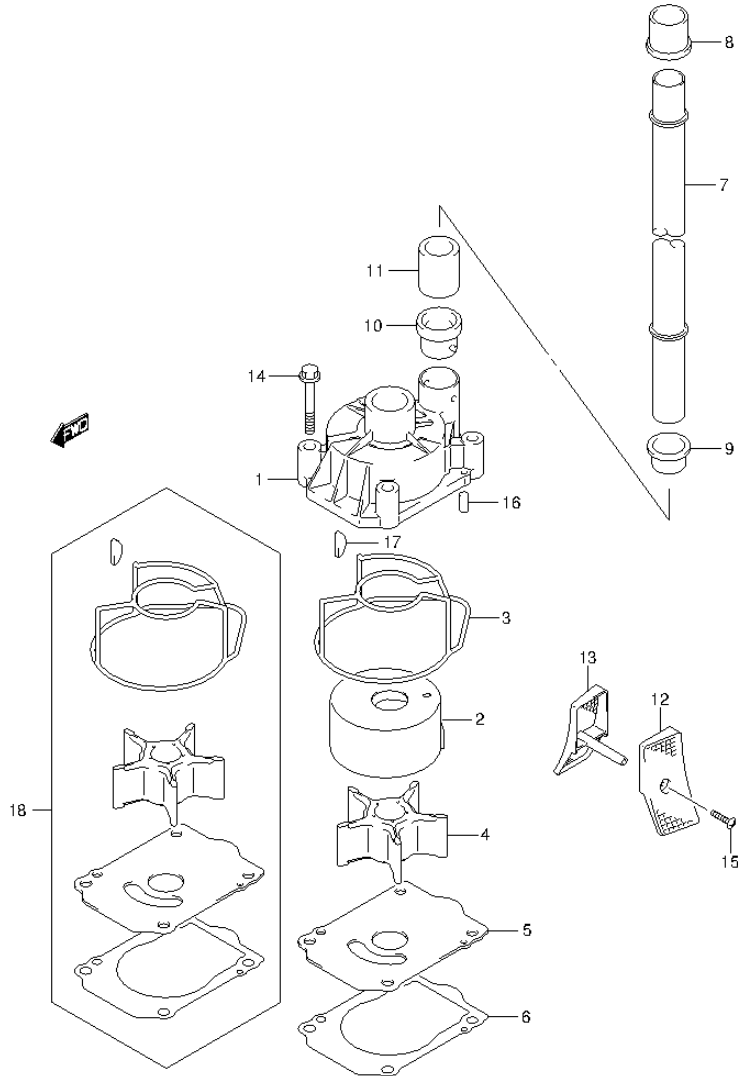


FIG.58 (1-H-3) WATER PUMP (DF250T E03)

REF NO.	PART NO.	DESCRIPTION	Q'TY	REMARKS
1	17410-93J01	CASE, WATER PUMP	1	
2	17413-93J02	SLEEVE, CASE	1	
3	17416-93J00	SEALING, CASE	1	
4	17461-93J00	IMPELLER, WATER PUMP	1	
5	17471-93J02	PANEL, PUMP CASE UNDER	1	
6	17472-93J00	GASKET, PUMP CASE PANEL	1	
7-1	17561-93J03	TUBE, WATER (X)	1	W/TRANSOM(X)
7-2	17561-93J13	TUBE, WATER (XX)	1	W/TRANSOM(XX)
8	17562-93J00	BUSH, WATER TUBE UPPER	1	
9	17563-93J00	BUSH, WATER TUBE LOWER	1	
10	17564-93J00	BUSH, WATER PUMP CASE	1	
11	17612-93J00	SPACER, WATER TUBE	1	
12-1	17631-93J20	FILTER, WATER PORT SIDE	1	
12-2	17631-93J30	FILTER, WATER PORT SIDE	1	OPT
13-1	17632-93J20	FILTER, WATER STBD SIDE	1	
13-2	17632-93J30	FILTER, WATER STBD SIDE	1	OPT
14	09116-08131	BOLT (8X45)	4	
15	09132-04034	SCREW (4X18)	1	
16	09202-06031	PIN (6X12)	2	
17	09420-05009	KEY	1	
18	17400-93J02	WATER PUMP REPAIR KIT	1	OPT

FIG.59

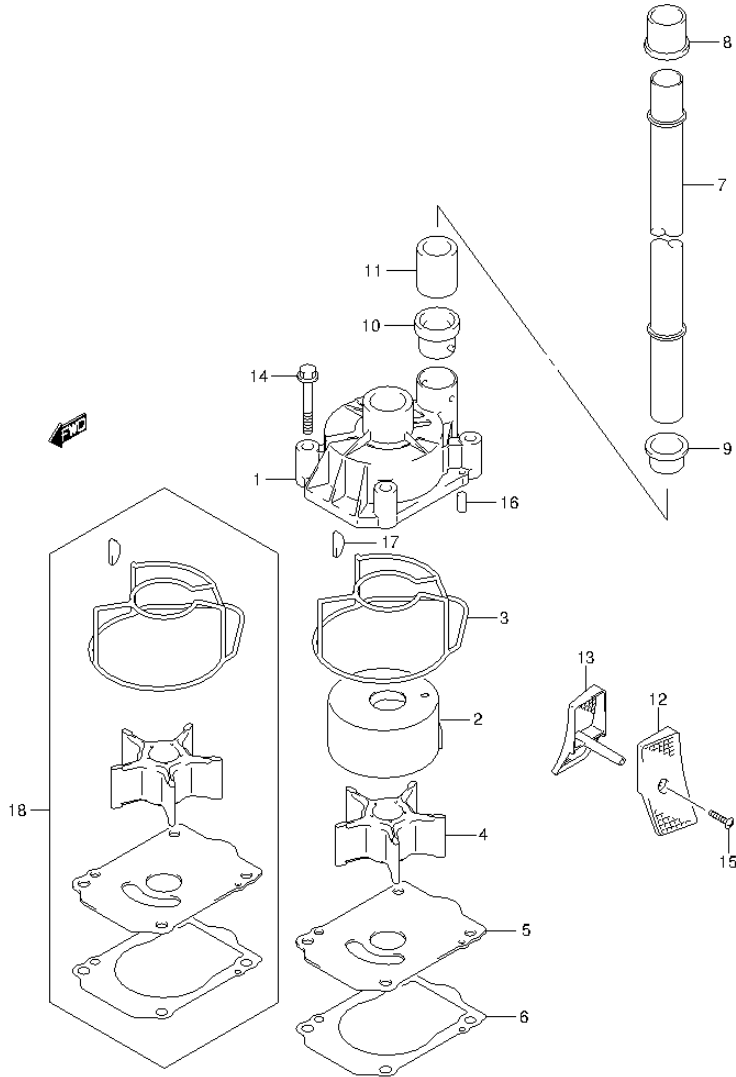
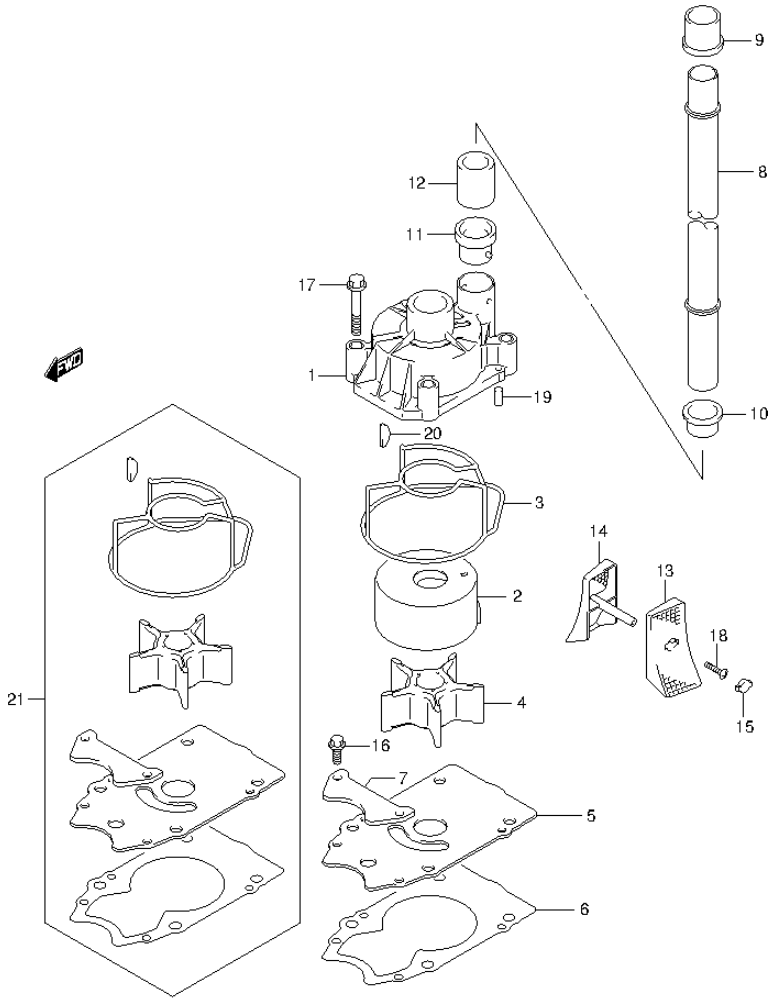


FIG.59 (1-H-4) WATER PUMP (DF250Z E03)

REF NO.	PART NO.	DESCRIPTION	Q'TY	REMARKS
1	17410-93J01	CASE, WATER PUMP	1	
2	17413-93J02	SLEEVE, CASE	1	
3	17416-93J00	SEALING, CASE	1	
4	17461-93J00	IMPELLER, WATER PUMP	1	
5	17471-93J02	PANEL, PUMP CASE UNDER	1	
6	17472-93J00	GASKET, PUMP CASE PANEL	1	
7-1	17561-93J03	TUBE, WATER (X)	1	W/TRANSOM(X)
7-2	17561-93J13	TUBE, WATER (XX)	1	W/TRANSOM(XX)
8	17562-93J00	BUSH, WATER TUBE UPPER	1	
9	17563-93J00	BUSH, WATER TUBE LOWER	1	
10	17564-93J00	BUSH, WATER PUMP CASE	1	
11	17612-93J00	SPACER, WATER TUBE	1	
12-1	17631-93J20	FILTER, WATER PORT SIDE	1	
12-2	17631-93J30	FILTER, WATER PORT SIDE	1	OPT
13-1	17632-93J20	FILTER, WATER STBD SIDE	1	
13-2	17632-93J30	FILTER, WATER STBD SIDE	1	OPT
14	09116-08131	BOLT (8X45)	4	
15	09132-04034	SCREW (4X18)	1	
16	09202-06031	PIN (6X12)	2	
17	09420-05009	KEY	1	
18	17400-93J02	WATER PUMP REPAIR KIT	1	OPT

FIG.60

FIG.60 (1-H-5) WATER PUMP (DF250ST E03)



REF NO.	PART NO.	DESCRIPTION	Q'TY	REMARKS
1	17410-93J01	CASE, WATER PUMP	1	
2	17413-93J02	SLEEVE, CASE	1	
3	17416-93J00	SEALING, CASE	1	
4	17461-93J00	IMPELLER, WATER PUMP	1	
5	17471-98J01	PANEL, PUMP CASE UNDER	1	
6	17472-98J00	GASKET, PUMP CASE PANEL	1	
7	17473-98J00	PANEL, WATER PUMP NO.2	1	
8	17561-93J21	TUBE, WATER (L)	1	
9	17562-93J00	BUSH, WATER TUBE UPPER	1	
10	17563-93J00	BUSH, WATER TUBE LOWER	1	
11	17564-93J00	BUSH, WATER PUMP CASE	1	
12	17612-93J00	SPACER, WATER TUBE	1	
13	17631-98J10	FILTER, WATER PORT SIDE	1	
14	17632-98J10	FILTER, WATER STBD SIDE	1	
15	17633-98J00	COVER, WATER FILTER	1	
16	29116-93J00	BOLT, PUMP CASE PANEL	2	
17	09116-08131	BOLT (8X45)	4	
18	09132-04034	SCREW (4X18)	1	
19	09202-06031	PIN (6X12)	2	
20	09420-05009	KEY	1	
21	17400-98J01	WATER PUMP REPAIR KIT	1	OPT

FIG.61

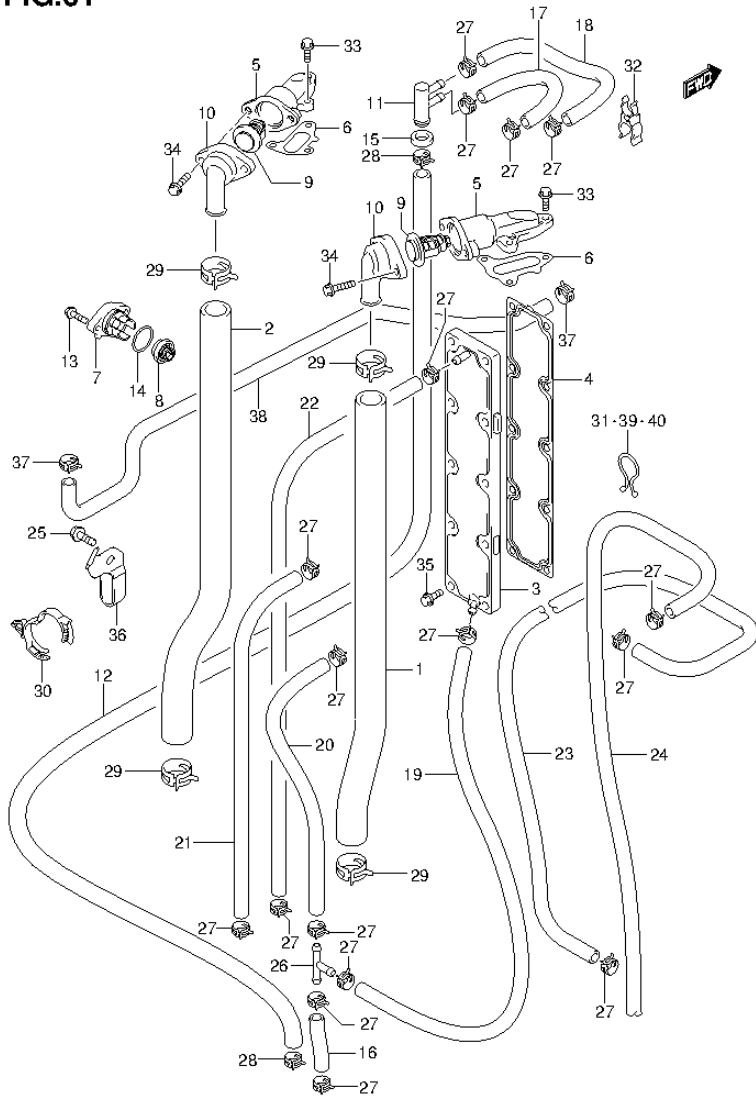


FIG.61 (1-H-6) THERMOSTAT

REF NO.	PART NO.	DESCRIPTION	Q'TY	REMARKS
1	11196-93J00	HOSE, WATER RETURN STBD	1	
2	11197-93J00	HOSE, WATER RETURN PORT	1	
3	11270-93J00	PLATE, CYL BLOCK WTR JKT	1	
4	11272-93J00	GASKET, CYL BLOCK PLATE	1	
5	17581-93J00	PIPE, OUTLET	2	
6	17582-93J00	GASKET, OUTLET PIPE	2	
7	17611-90J00-0EP	COVER, WATER PRESS VALVE (BLACK)	1	
8	17660-99E01	VALVE, WATER PRESSURE	1	
9-1	17670-90J00	THERMOSTAT (60C)	2	
9-2	17670-90J10	THERMOSTAT (71C)	1	OPT
10	17681-93J00	COVER, THERMOSTAT	2	
11	17711-90J00	3 WAY, WATER HOSE	1	
12	17712-93J00	HOSE (3 WAY TO E/H COV)	1	
13	09116-06121	BOLT (6X25)	2	
14	09280-26006	O RING (D:3.1,ID:26.4)	1	
15	09320-12014	CUSHION	1	
16	09352-50903-600	HOSE (5X9X600)	1	L:600->60
17	09352-50903-600	HOSE (5X9X600)	1	L:600->120
18	09352-50903-600	HOSE (5X9X600)	1	L:600->190
19	09352-50903-600	HOSE (5X9X600)	1	L:600->300
20	09352-50903-600	HOSE (5X9X600)	1	L:600->330
21	09352-50903-600	HOSE (5X9X600)	1	
22	09352-50903-600	HOSE (5X9X600)	1	
23	09352-50903-00B	HOSE (5X9X2000)	1	L:2000->850
24	09352-50903-00B	HOSE (5X9X2000)	1	L:2000->1010
25	01550-08127	BOLT	1	
26	09367-06002	JOINT, 3 WAY	1	
27	09401-08413	CLIP	18	
28	09401-14409	CLIP	2	
29	09401-25406	CLIP	4	
30	09403-25304	CLAMP	1	
31	09408-00008	CLIP (ID:20)	1	
32	09408-00056	CLIP	1	

FIG.61

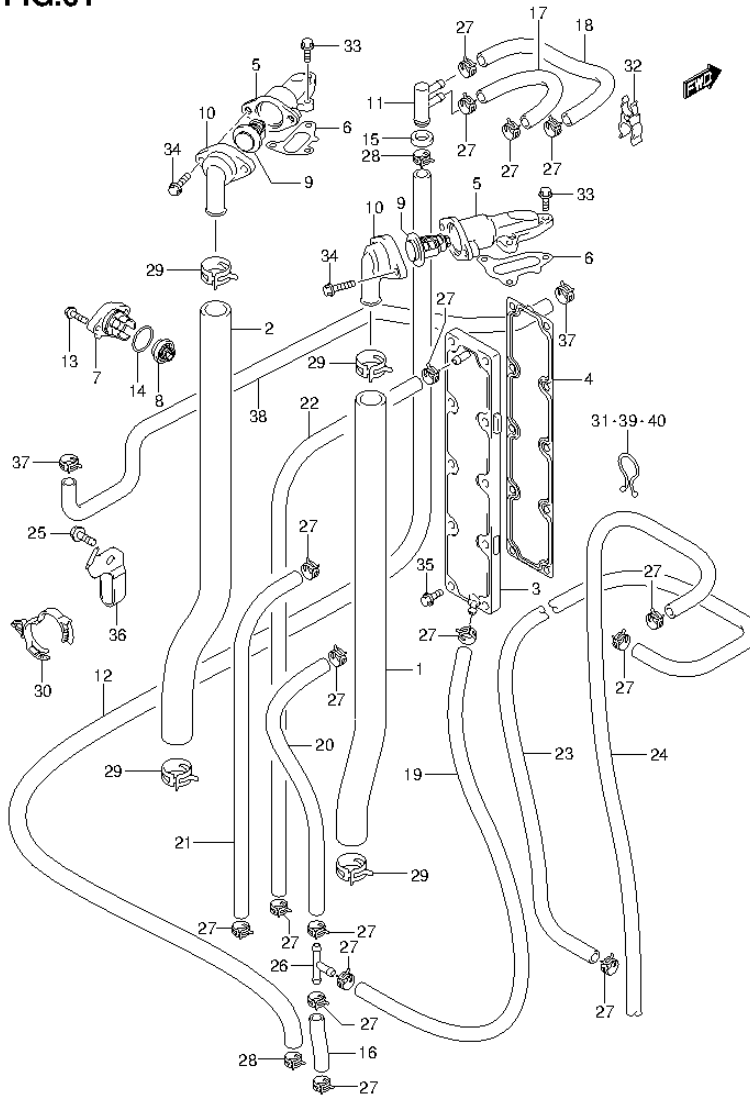


FIG.61 (1-H-7) THERMOSTAT

REF NO.	PART NO.	DESCRIPTION	Q'TY	REMARKS
33	01550-06207	BOLT	6	
34	01550-06207	BOLT	4	
35	01550-06257	BOLT	10	
36	17713-98J00	HOLDER, WATER HOSE	1	
37	09401-15414	CLIP	2	
38	17915-98J01	HOSE, WATER FLUSH	1	
39	09408-00024	CLIP (ID:23)	1	
40	09408-00021	CLIP (ID:16)	1	

FIG.62

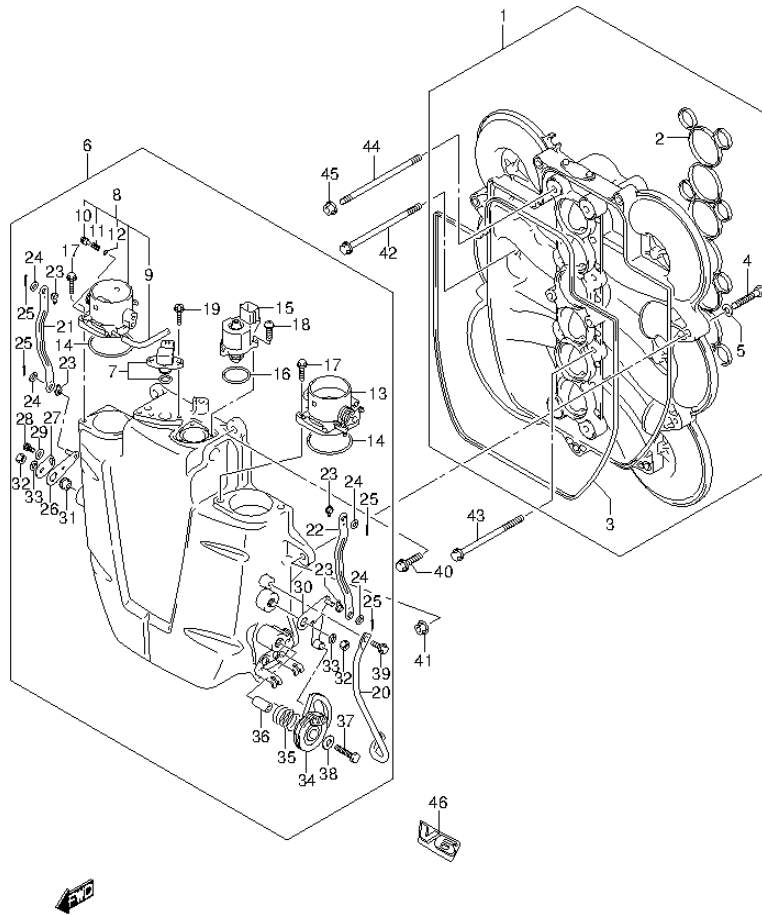


FIG.62 (1-H-8) THROTTLE BODY (DF200T E03)

REF NO.	PART NO.	DESCRIPTION	Q'TY	REMARKS
1	13130-93J30	COLLECTOR	1	
2	13139-93J00	.GASKET, COLLECTOR	1	
3	13147-93J00	.GASKET, COLLECTOR COVER	1	
4	13138-93J00	.BOLT, COLLECTOR	2	
5	08322-01087	.WASHER	2	
6	13140-93J13	COVER, COLLECTOR	1	
7	18590-68H00	.SENSOR, MAP	1	
8	13310-93J01	.BODY ASSY, THROTTLE NO.1	1	
9	13312-93J00	..HOSE, BYPASS AIR	1	
10	13279-10G00	..SCREW, BYPASS AIR	1	
11	13355-93J00	..SPRING, BYPASS AIR	1	
12	13295-10G00	..O RING, BYPASS AIR SCREW	1	
13	13320-93J00	BODY ASSY, THROTTLE NO.2	1	
14	13421-93J00	.GASKET, THROTTLE BODY	2	
15	18137-93J00	.VALVE, IAC	1	
16	09280-29006	.O RING (D:2, ID:29.5)	1	
17	01547-06257	.BOLT	4	
18	02112-3416B	.SCREW	3	
19	02162-0520B	.SCREW	2	
20	13144-93J00	.GUARD, THROTTLE DRUM	1	
21	13583-93J00	.ARM, LINK	1	
22	13583-93J00	.ARM, LINK	1	
23	13555-93J00	.GROMMET, LINK	4	
24	13537-93J00	.WASHER, LINK	4	
25	09204-01004	.PIN	4	
26	13553-93J00	.LEVER, NO.1	1	
27	13554-93J00	.LEVER, NO.2	1	
28	02112-35087	.SCREW	1	
29	09160-05043	.WASHER (5.5X16X1.2)	1	
30	13521-93J00	.LEVER, LINK	1	
31	13514-93J00	.SPACER, LINK SHAFT	1	
32	13599-93J00	.NUT, LINK SHAFT	2	
33	13538-93J00	.WASHER, LINK SHAFT SPRING	2	
34	13541-93J00	.CAM THROTTLE	1	

FIG.62

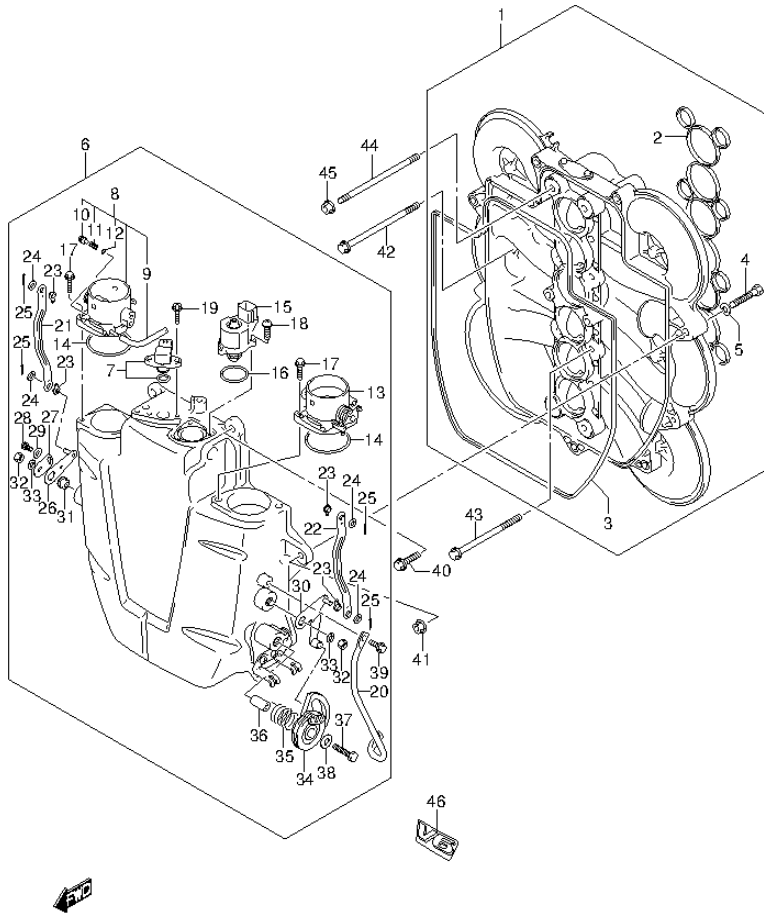


FIG.62 (1-H-9) THROTTLE BODY (DF200T E03)

REF NO.	PART NO.	DESCRIPTION	Q'TY	REMARKS
35	13542-93J00	.SPRING, THROTTLE CAM	1	
36	13543-93J00	.SPACER, THROTTLE CAM	1	
37	01500-06307	.BOLT	1	
38	09160-06036	.WASHER (6.5X18X1.5)	1	
39	01550-06167	.BOLT	2	
40	01550-08307	BOLT	7	
41	08316-10087	NUT	2	
42	09103-08182	BOLT (8X125)	2	
43	09103-08134	BOLT (8X110)	4	
44	09108-08267	STUD BOLT	2	
45	08316-1008A	NUT	2	
46	61436-93J00	MARK, EMBLEM V6	1	

FIG.63

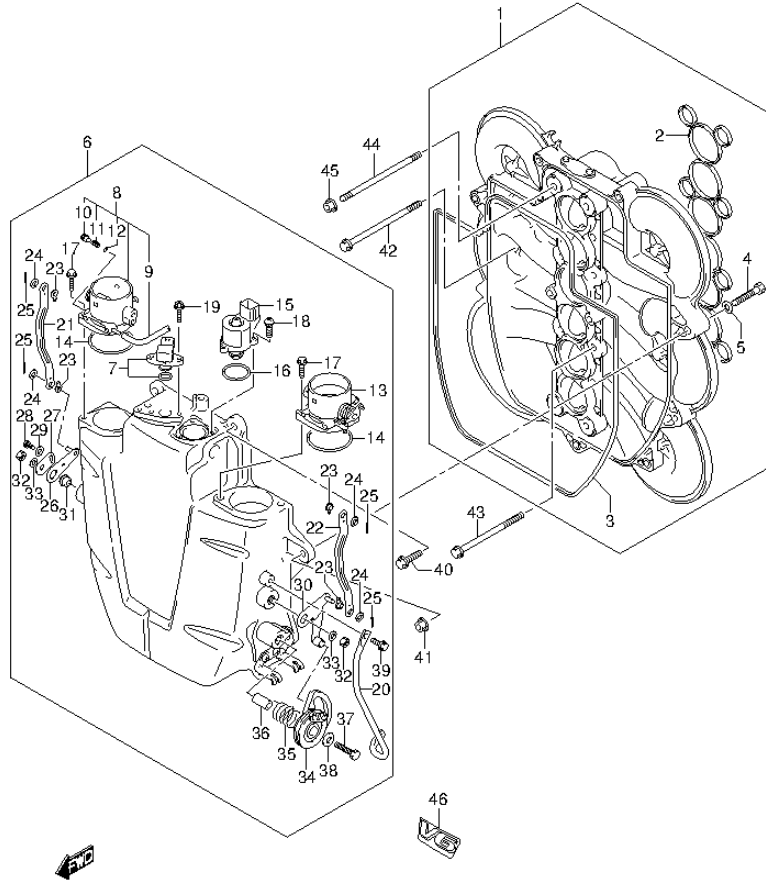


FIG.63 (1-H-10) THROTTLE BODY (DF200Z E03)

REF NO.	PART NO.	DESCRIPTION	Q'TY	REMARKS
1	13130-93J30	COLLECTOR	1	
2	13139-93J00	.GASKET, COLLECTOR	1	
3	13147-93J00	.GASKET, COLLECTOR COVER	1	
4	13138-93J00	.BOLT, COLLECTOR	2	
5	08322-01087	.WASHER	2	
6	13140-93J13	COVER, COLLECTOR	1	
7	18590-68H00	.SENSOR, MAP	1	
8	13310-93J01	.BODY ASSY, THROTTLE NO.1	1	
9	13312-93J00	..HOSE, BYPASS AIR	1	
10	13279-10G00	..SCREW, BYPASS AIR	1	
11	13355-93J00	..SPRING, BYPASS AIR	1	
12	13295-10G00	..O RING, BYPASS AIR SCREW	1	
13	13320-93J00	BODY ASSY, THROTTLE NO.2	1	
14	13421-93J00	.GASKET, THROTTLE BODY	2	
15	18137-93J00	.VALVE, IAC	1	
16	09280-29006	.O RING (D:2, ID:29.5)	1	
17	01547-06257	.BOLT	4	
18	02112-3416B	.SCREW	3	
19	02162-0520B	.SCREW	2	
20	13144-93J00	.GUARD, THROTTLE DRUM	1	
21	13583-93J00	.ARM, LINK	1	
22	13583-93J00	.ARM, LINK	1	
23	13555-93J00	.GROMMET, LINK	4	
24	13537-93J00	.WASHER, LINK	4	
25	09204-01004	.PIN	4	
26	13553-93J00	.LEVER, NO.1	1	
27	13554-93J00	.LEVER, NO.2	1	
28	02112-35087	.SCREW	1	
29	09160-05043	.WASHER (5.5X16X1.2)	1	
30	13521-93J00	.LEVER, LINK	1	
31	13514-93J00	.SPACER, LINK SHAFT	1	
32	13599-93J00	.NUT, LINK SHAFT	2	
33	13538-93J00	.WASHER, LINK SHAFT SPRING	2	
34	13541-93J00	.CAM THROTTLE	1	

FIG.63

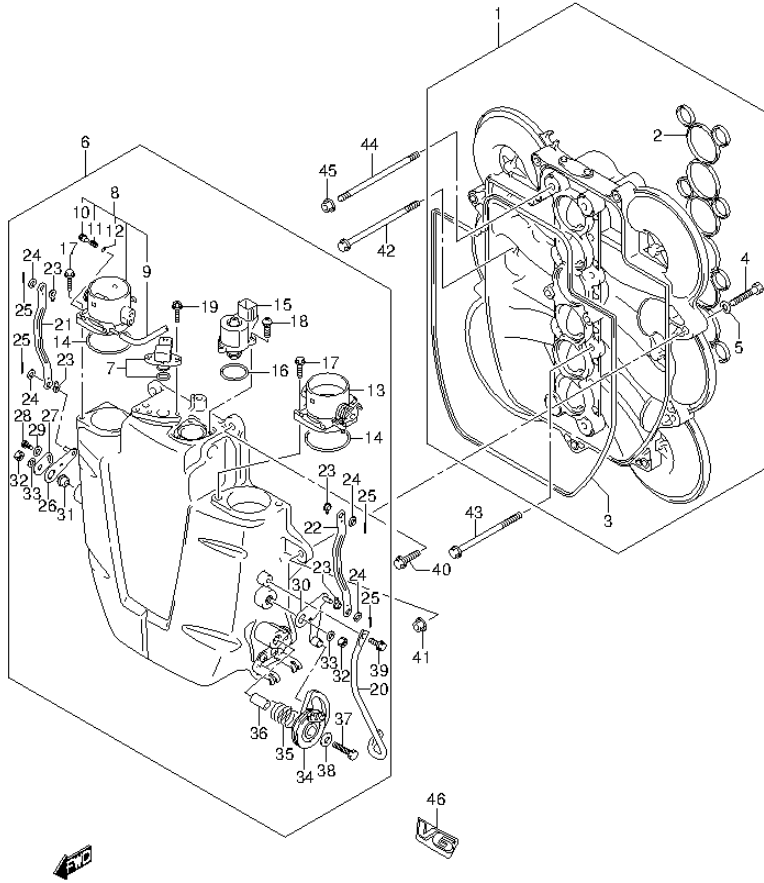


FIG.63 (1-H-11) THROTTLE BODY (DF200Z E03)

REF NO.	PART NO.	DESCRIPTION	Q'TY	REMARKS
35	13542-93J00	.SPRING, THROTTLE CAM	1	
36	13543-93J00	.SPACER, THROTTLE CAM	1	
37	01500-06307	.BOLT	1	
38	09160-06036	.WASHER (6.5X18X1.5)	1	
39	01550-06167	.BOLT	2	
40	01550-08307	BOLT	7	
41	08316-10087	NUT	2	
42	09103-08182	BOLT (8X125)	2	
43	09103-08134	BOLT (8X110)	4	
44	09108-08267	STUD BOLT	2	
45	08316-1008A	NUT	2	
46	61436-93J00	MARK, EMBLEM V6	1	

FIG.64

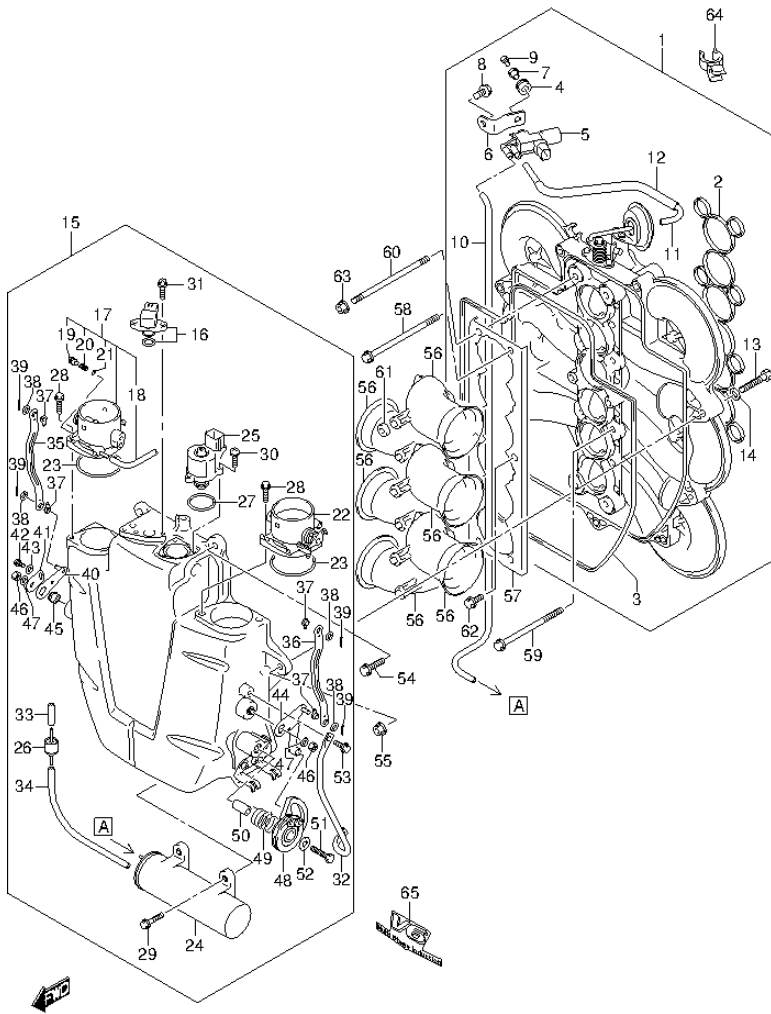


FIG.64 (1-H-12) THROTTLE BODY (DF225T E03)

REF NO.	PART NO.	DESCRIPTION	Q'TY	REMARKS
1	13130-93J21	COLLECTOR	1	
2	13139-93J00	.GASKET, COLLECTOR	1	
3	13147-93J00	.GASKET, COLLECTOR COVER	1	
4	18116-93J00	.CUSHION, VACUUM VALVE	1	
5	18117-93J00	.VALVE, VACUUM SWITCHING	1	
6	18119-93J00	.BRACKET, VACUUM VALVE	1	
7	09169-05018	.WASHER	1	
8	01550-08167	.BOLT	1	
9	02112-0512A	.SCREW	1	
10	09355-35754-00B	.HOSE (3.5X7.5X2000)	1	L:2000->610
11	09355-35754-601	.HOSE (3.5X7.5X601)	1	L:600->160
12	18498-90J00	.PROTECTOR	1	L:290->140
13	13138-93J00	.BOLT, COLLECTOR	2	
14	08322-01087	.WASHER	2	
15	13140-93J03	COVER, COLLECTOR	1	
16	18590-68H00	.SENSOR, MAP	1	
17	13310-93J01	.BODY ASSY, THROTTLE NO.1	1	
18	13312-93J00	..HOSE, BYPASS AIR	1	
19	13279-10G00	..SCREW, BYPASS AIR	1	
20	13355-93J00	..SPRING, BYPASS AIR	1	
21	13295-10G00	..O RING, BYPASS AIR SCREW	1	
22	13320-93J00	.BODY ASSY, THROTTLE NO.2	1	
23	13421-93J00	.GASKET, THROTTLE BODY	2	
24	13730-93J00	.CHAMBER, VACUUM	1	
25	18137-93J00	.VALVE, IAC	1	
26	95569-78040	.VALVE, CHECK	1	
27	09280-29006	.O RING (D:2, ID:29.5)	1	
28	01547-06257	.BOLT	4	
29	01550-06307	.BOLT	2	
30	02112-3416B	.SCREW	3	
31	02162-0520B	.SCREW	2	
32	13144-93J00	.GUARD, THROTTLE DRUM	1	
33	09355-35754-601	.HOSE (3.5X7.5X601)	1	L:600->30
34	09355-35754-601	.HOSE (3.5X7.5X601)	1	L:600->165

FIG.64

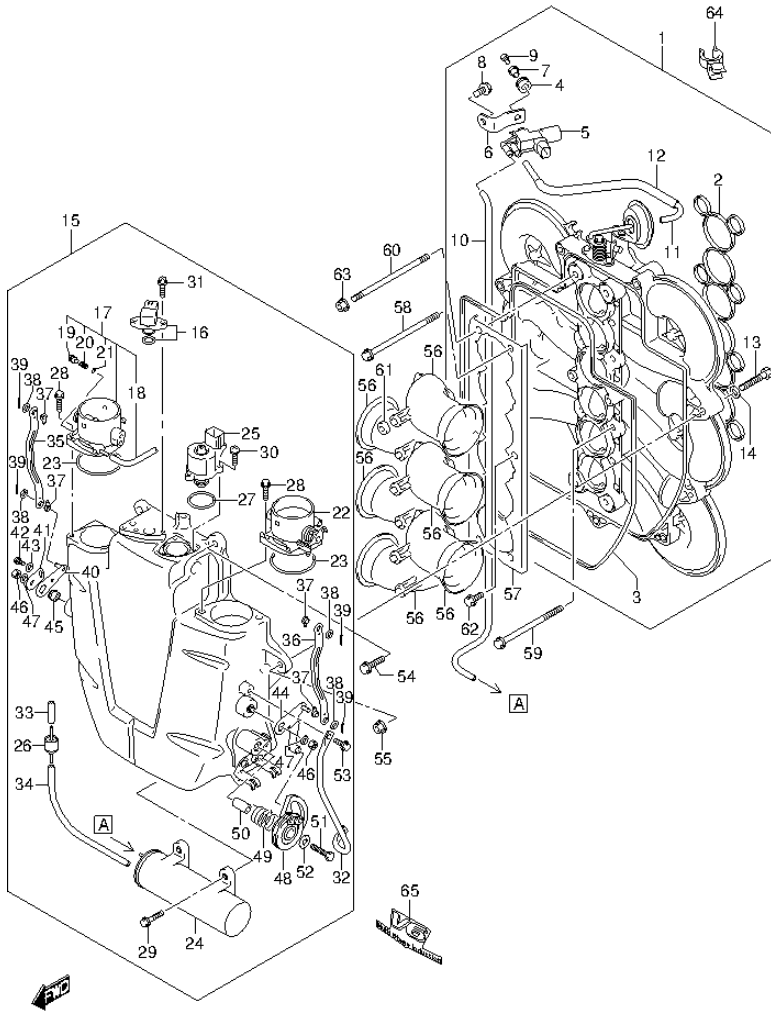


FIG.64 (1-H-13) THROTTLE BODY (DF225T E03)

REF NO.	PART NO.	DESCRIPTION	Q'TY	REMARKS
35	13583-93J00	.ARM, LINK	1	
36	13583-93J00	.ARM, LINK	1	
37	13555-93J00	.GROMMET, LINK	4	
38	13537-93J00	.WASHER, LINK	4	
39	09204-01004	.PIN	4	
40	13553-93J00	.LEVER, NO.1	1	
41	13554-93J00	.LEVER, NO.2	1	
42	02112-35087	.SCREW	1	
43	09160-05043	.WASHER (5.5X16X1.2)	1	
44	13521-93J00	.LEVER, LINK	1	
45	13514-93J00	.SPACER, LINK SHAFT	1	
46	13599-93J00	.NUT, LINK SHAFT	2	
47	13538-93J00	.WASHER, LINK SHAFT SPRING	2	
48	13541-93J00	.CAM THROTTLE	1	
49	13542-93J00	.SPRING, THROTTLE CAM	1	
50	13543-93J00	.SPACER, THROTTLE CAM	1	
51	01500-06307	.BOLT	2	
52	09160-06036	.WASHER (6.5X18X1.5)	1	
53	01550-06167	.BOLT	2	
54	01550-08307	BOLT	7	
55	08316-10087	NUT	2	
56	13132-93J00	FUNNEL, COLLECTOR	6	
57	13133-93J00	BRACKET, COLLECTOR FUNNEL	1	
58	09103-08182	BOLT (8X125)	2	
59	09103-08134	BOLT (8X110)	4	
60	09108-08267	STUD BOLT	2	
61	09329-06002	CUSHION	6	
62	01550-0820A	BOLT	2	
63	08316-1008A	NUT	2	
64	09408-00060	CLIP	1	
65	61436-93J10	MARK, EMBLEM V6 (MSI)	1	

FIG.65

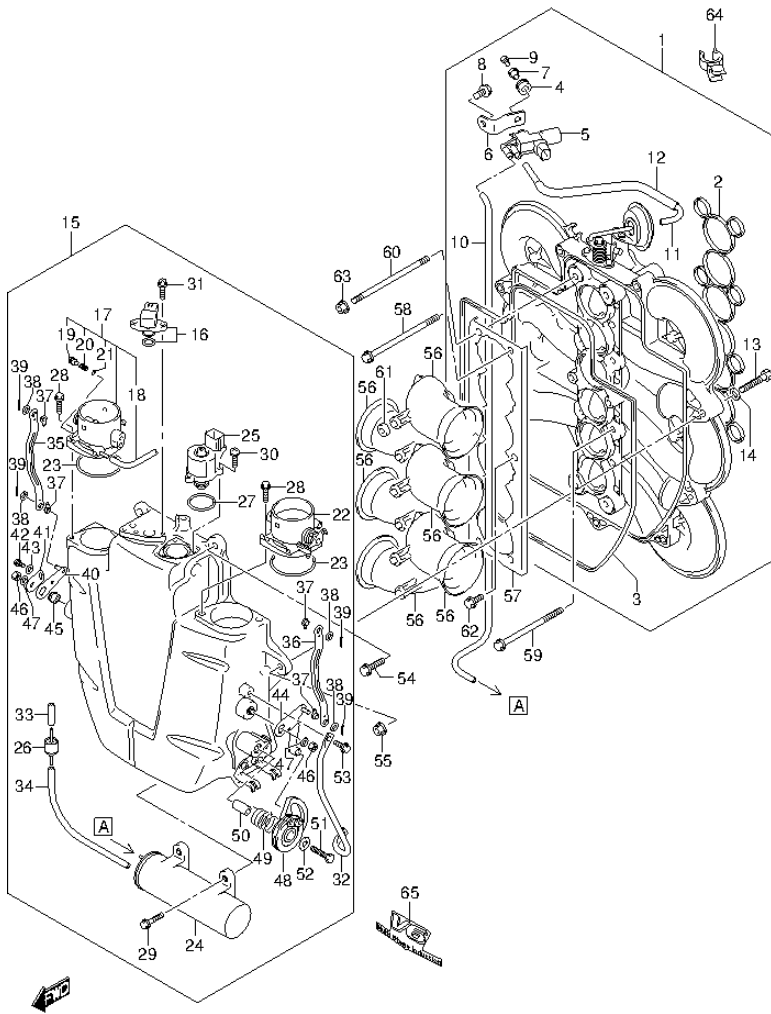


FIG.65 (1-H-14) THROTTLE BODY (DF225Z E03)

REF NO.	PART NO.	DESCRIPTION	Q'TY	REMARKS
1	13130-93J21	COLLECTOR	1	
2	13139-93J00	.GASKET, COLLECTOR	1	
3	13147-93J00	.GASKET, COLLECTOR COVER	1	
4	18116-93J00	.CUSHION, VACUUM VALVE	1	
5	18117-93J00	.VALVE, VACUUM SWITCHING	1	
6	18119-93J00	.BRACKET, VACUUM VALVE	1	
7	09169-05018	.WASHER	1	
8	01550-08167	.BOLT	1	
9	02112-0512A	.SCREW	1	
10	09355-35754-00B	.HOSE (3.5X7.5X2000)	1	L:2000->610
11	09355-35754-601	.HOSE (3.5X7.5X601)	1	L:600->160
12	18498-90J00	.PROTECTOR	1	L:290->140
13	13138-93J00	.BOLT, COLLECTOR	2	
14	08322-01087	.WASHER	2	
15	13140-93J03	COVER, COLLECTOR	1	
16	18590-68H00	.SENSOR, MAP	1	
17	13310-93J01	.BODY ASSY, THROTTLE NO.1	1	
18	13312-93J00	..HOSE, BYPASS AIR	1	
19	13279-10G00	..SCREW, BYPASS AIR	1	
20	13355-93J00	..SPRING, BYPASS AIR	1	
21	13295-10G00	..O RING, BYPASS AIR SCREW	1	
22	13320-93J00	.BODY ASSY, THROTTLE NO.2	1	
23	13421-93J00	.GASKET, THROTTLE BODY	2	
24	13730-93J00	.CHAMBER, VACUUM	1	
25	18137-93J00	.VALVE, IAC	1	
26	95569-78040	.VALVE, CHECK	1	
27	09280-29006	.O RING (D:2, ID:29.5)	1	
28	01547-06257	.BOLT	4	
29	01550-06307	.BOLT	2	
30	02112-3416B	.SCREW	3	
31	02162-0520B	.SCREW	2	
32	13144-93J00	.GUARD, THROTTLE DRUM	1	
33	09355-35754-601	.HOSE (3.5X7.5X601)	1	L:600->30
34	09355-35754-601	.HOSE (3.5X7.5X601)	1	L:600->165

FIG.65

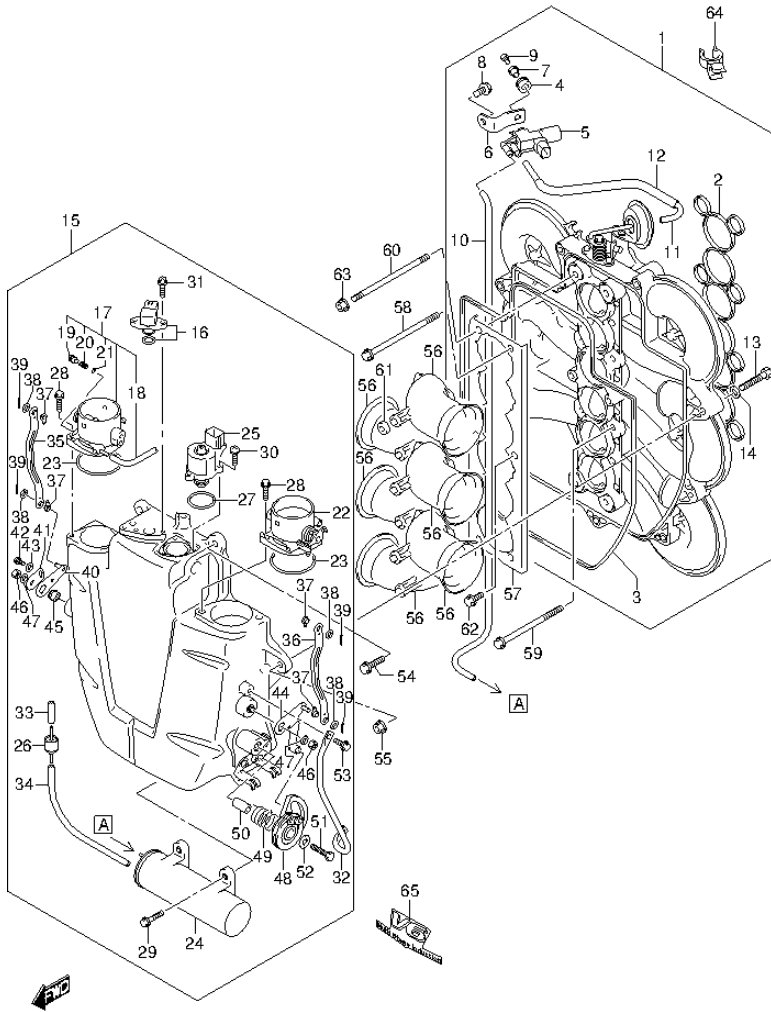


FIG.65 (1-H-15) THROTTLE BODY (DF225Z E03)

REF NO.	PART NO.	DESCRIPTION	Q'TY	REMARKS
35	13583-93J00	.ARM, LINK	1	
36	13583-93J00	.ARM, LINK	1	
37	13555-93J00	.GROMMET, LINK	4	
38	13537-93J00	.WASHER, LINK	4	
39	09204-01004	.PIN	4	
40	13553-93J00	.LEVER, NO.1	1	
41	13554-93J00	.LEVER, NO.2	1	
42	02112-35087	.SCREW	1	
43	09160-05043	.WASHER (5.5X16X1.2)	1	
44	13521-93J00	.LEVER, LINK	1	
45	13514-93J00	.SPACER, LINK SHAFT	1	
46	13599-93J00	.NUT, LINK SHAFT	2	
47	13538-93J00	.WASHER, LINK SHAFT SPRING	2	
48	13541-93J00	.CAM THROTTLE	1	
49	13542-93J00	.SPRING, THROTTLE CAM	1	
50	13543-93J00	.SPACER, THROTTLE CAM	1	
51	01500-06307	.BOLT	2	
52	09160-06036	.WASHER (6.5X18X1.5)	1	
53	01550-06167	.BOLT	2	
54	01550-08307	BOLT	7	
55	08316-10087	NUT	2	
56	13132-93J00	FUNNEL, COLLECTOR	6	
57	13133-93J00	BRACKET, COLLECTOR FUNNEL	1	
58	09103-08182	BOLT (8X125)	2	
59	09103-08134	BOLT (8X110)	4	
60	09108-08267	STUD BOLT	2	
61	09329-06002	CUSHION	6	
62	01550-0820A	BOLT	2	
63	08316-1008A	NUT	2	
64	09408-00060	CLIP	1	
65	61436-93J10	MARK, EMBLEM V6 (MSI)	1	

FIG.66

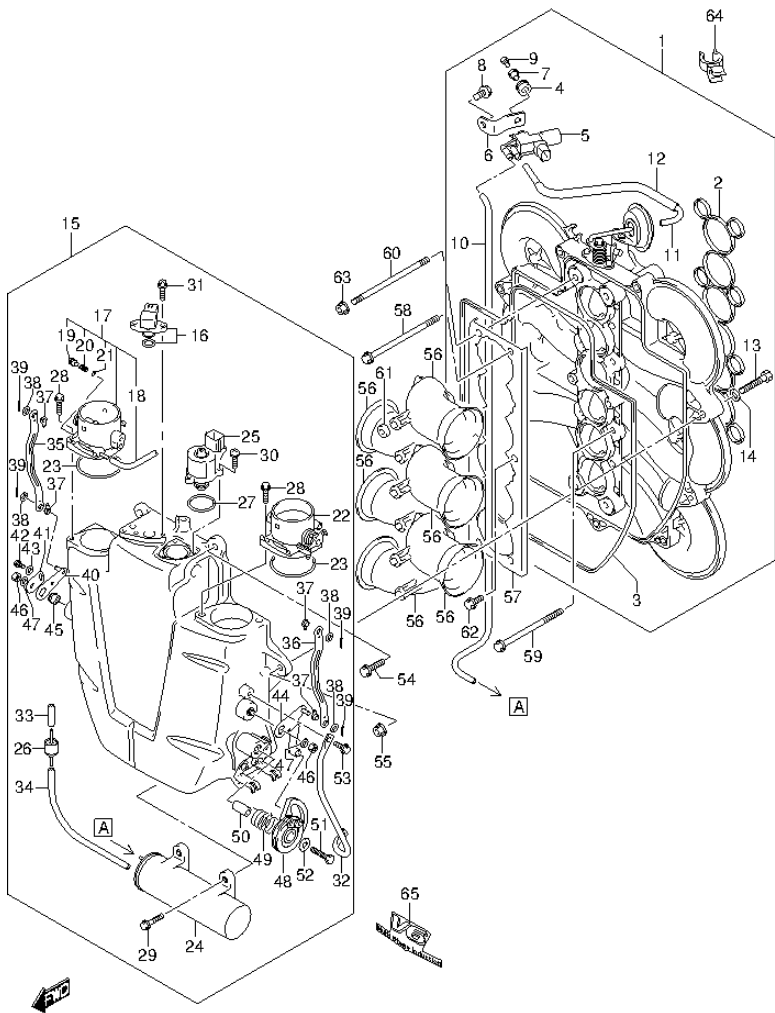


FIG.66 (1-1-2) THROTTLE BODY (DF250T E03)

REF NO.	PART NO.	DESCRIPTION	Q'TY	REMARKS
1	13130-93J21	COLLECTOR	1	
2	13139-93J00	.GASKET, COLLECTOR	1	
3	13147-93J00	.GASKET, COLLECTOR COVER	1	
4	18116-93J00	.CUSHION, VACUUM VALVE	1	
5	18117-93J00	.VALVE, VACUUM SWITCHING	1	
6	18119-93J00	.BRACKET, VACUUM VALVE	1	
7	09169-05018	.WASHER	1	
8	01550-08167	.BOLT	1	
9	02112-0512A	.SCREW	1	
10	09355-35754-00B	.HOSE (3.5X7.5X2000)	1	L:2000->610
11	09355-35754-601	.HOSE (3.5X7.5X601)	1	L:600->160
12	18498-90J00	.PROTECTOR	1	L:290->140
13	13138-93J00	.BOLT, COLLECTOR	2	
14	08322-01087	.WASHER	2	
15	13140-93J03	COVER, COLLECTOR	1	
16	18590-68H00	.SENSOR, MAP	1	
17	13310-93J01	.BODY ASSY, THROTTLE NO.1	1	
18	13312-93J00	..HOSE, BYPASS AIR	1	
19	13279-10G00	..SCREW, BYPASS AIR	1	
20	13355-93J00	..SPRING, BYPASS AIR	1	
21	13295-10G00	..O RING, BYPASS AIR SCREW	1	
22	13320-93J00	.BODY ASSY, THROTTLE NO.2	1	
23	13421-93J00	.GASKET, THROTTLE BODY	2	
24	13730-93J00	.CHAMBER, VACUUM	1	
25	18137-93J00	.VALVE, IAC	1	
26	95569-78040	.VALVE, CHECK	1	
27	09280-29006	.O RING (D:2, ID:29.5)	1	
28	01547-06257	.BOLT	4	
29	01550-06307	.BOLT	2	
30	02112-3416B	.SCREW	3	
31	02162-0520B	.SCREW	2	
32	13144-93J00	.GUARD, THROTTLE DRUM	1	
33	09355-35754-601	.HOSE (3.5X7.5X601)	1	L:600->30
34	09355-35754-601	.HOSE (3.5X7.5X601)	1	L:600->165

FIG.66

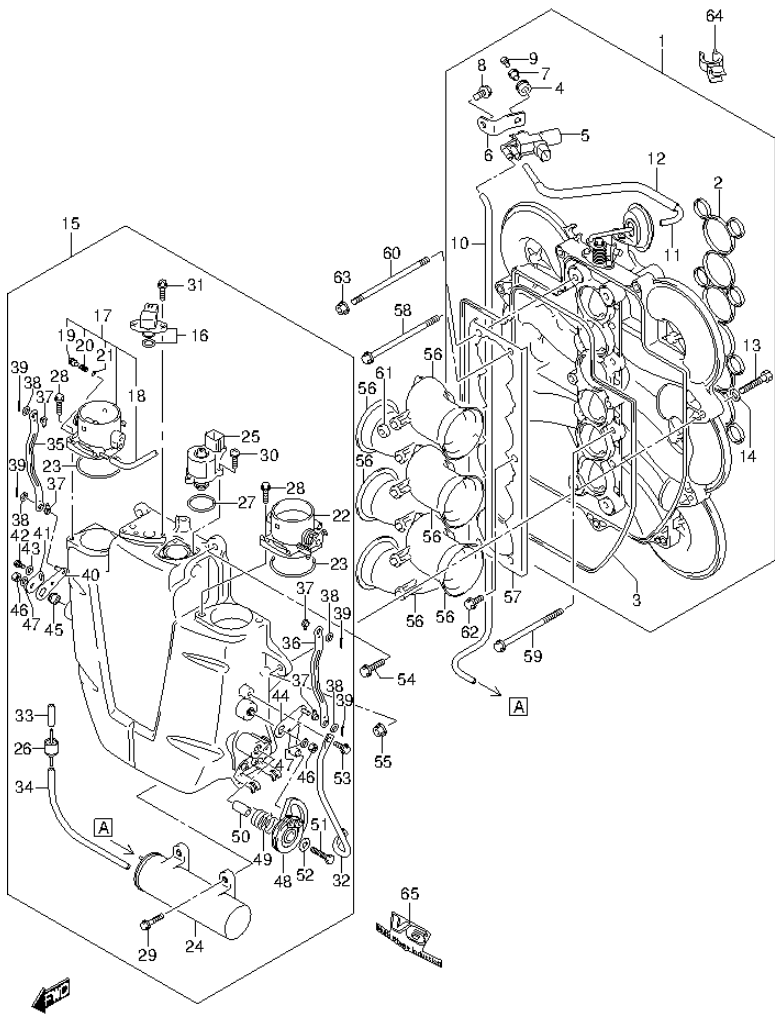


FIG.66 (1-I-3) THROTTLE BODY (DF250T E03)

REF NO.	PART NO.	DESCRIPTION	Q'TY	REMARKS
35	13583-93J00	.ARM, LINK	1	
36	13583-93J00	.ARM, LINK	1	
37	13555-93J00	.GROMMET, LINK	4	
38	13537-93J00	.WASHER, LINK	4	
39	09204-01004	.PIN	4	
40	13553-93J00	.LEVER, NO.1	1	
41	13554-93J00	.LEVER, NO.2	1	
42	02112-35087	.SCREW	1	
43	09160-05043	.WASHER (5.5X16X1.2)	1	
44	13521-93J00	.LEVER, LINK	1	
45	13514-93J00	.SPACER, LINK SHAFT	1	
46	13599-93J00	.NUT, LINK SHAFT	2	
47	13538-93J00	.WASHER, LINK SHAFT SPRING	2	
48	13541-93J00	.CAM THROTTLE	1	
49	13542-93J00	.SPRING, THROTTLE CAM	1	
50	13543-93J00	.SPACER, THROTTLE CAM	1	
51	01500-06307	.BOLT	2	
52	09160-06036	.WASHER (6.5X18X1.5)	1	
53	01550-06167	.BOLT	2	
54	01550-08307	BOLT	7	
55	08316-10087	NUT	2	
56	13132-93J00	FUNNEL, COLLECTOR	6	
57	13133-93J00	BRACKET, COLLECTOR FUNNEL	1	
58	09103-08182	BOLT (8X125)	2	
59	09103-08134	BOLT (8X110)	4	
60	09108-08267	STUD BOLT	2	
61	09329-06002	CUSHION	6	
62	01550-0820A	BOLT	2	
63	08316-1008A	NUT	2	
64	09408-00060	CLIP	1	
65	61436-93J10	MARK, EMBLEM V6 (MSI)	1	

FIG.67

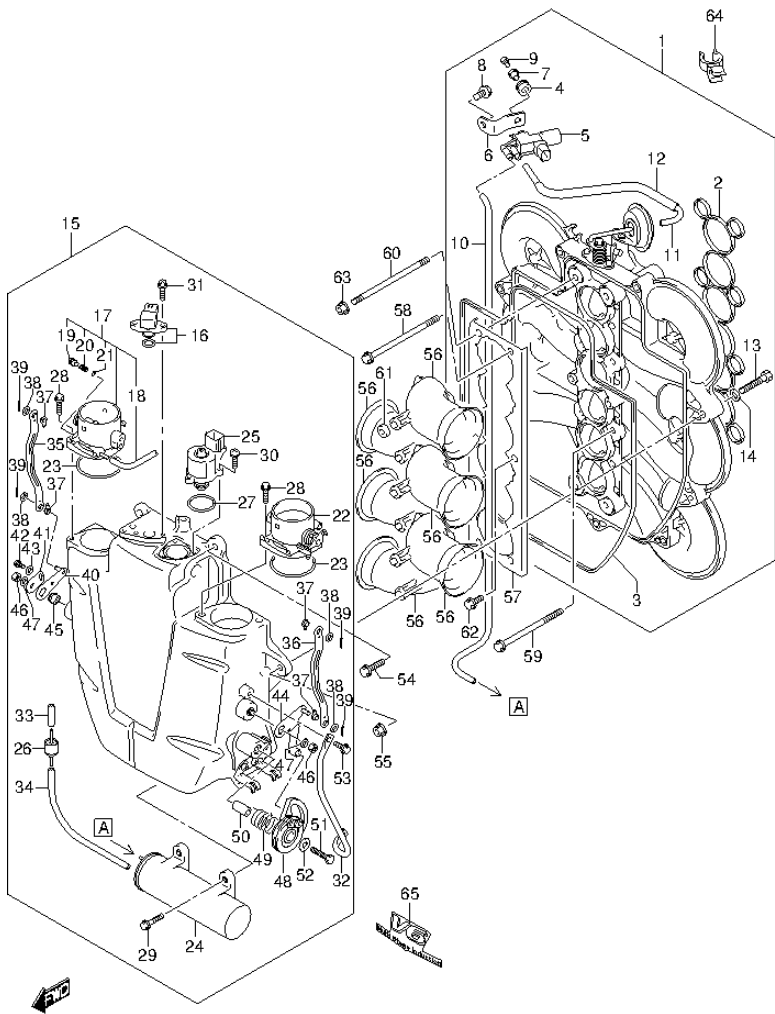


FIG.67 (1-1-4) THROTTLE BODY (DF250Z E03)

REF NO.	PART NO.	DESCRIPTION	Q'TY	REMARKS
1	13130-93J21	COLLECTOR	1	
2	13139-93J00	.GASKET, COLLECTOR	1	
3	13147-93J00	.GASKET, COLLECTOR COVER	1	
4	18116-93J00	.CUSHION, VACUUM VALVE	1	
5	18117-93J00	.VALVE, VACUUM SWITCHING	1	
6	18119-93J00	.BRACKET, VACUUM VALVE	1	
7	09169-05018	.WASHER	1	
8	01550-08167	.BOLT	1	
9	02112-0512A	.SCREW	1	
10	09355-35754-00B	.HOSE (3.5X7.5X2000)	1	L:2000->610
11	09355-35754-601	.HOSE (3.5X7.5X601)	1	L:600->160
12	18498-90J00	.PROTECTOR	1	L:290->140
13	13138-93J00	.BOLT, COLLECTOR	2	
14	08322-01087	.WASHER	2	
15	13140-93J03	COVER, COLLECTOR	1	
16	18590-68H00	.SENSOR, MAP	1	
17	13310-93J01	.BODY ASSY, THROTTLE NO.1	1	
18	13312-93J00	..HOSE, BYPASS AIR	1	
19	13279-10G00	..SCREW, BYPASS AIR	1	
20	13355-93J00	..SPRING, BYPASS AIR	1	
21	13295-10G00	..O RING, BYPASS AIR SCREW	1	
22	13320-93J00	.BODY ASSY, THROTTLE NO.2	1	
23	13421-93J00	.GASKET, THROTTLE BODY	2	
24	13730-93J00	.CHAMBER, VACUUM	1	
25	18137-93J00	.VALVE, IAC	1	
26	95569-78040	.VALVE, CHECK	1	
27	09280-29006	.O RING (D:2, ID:29.5)	1	
28	01547-06257	.BOLT	4	
29	01550-06307	.BOLT	2	
30	02112-3416B	.SCREW	3	
31	02162-0520B	.SCREW	2	
32	13144-93J00	.GUARD, THROTTLE DRUM	1	
33	09355-35754-601	.HOSE (3.5X7.5X601)	1	L:600->30
34	09355-35754-601	.HOSE (3.5X7.5X601)	1	L:600->165

FIG.67

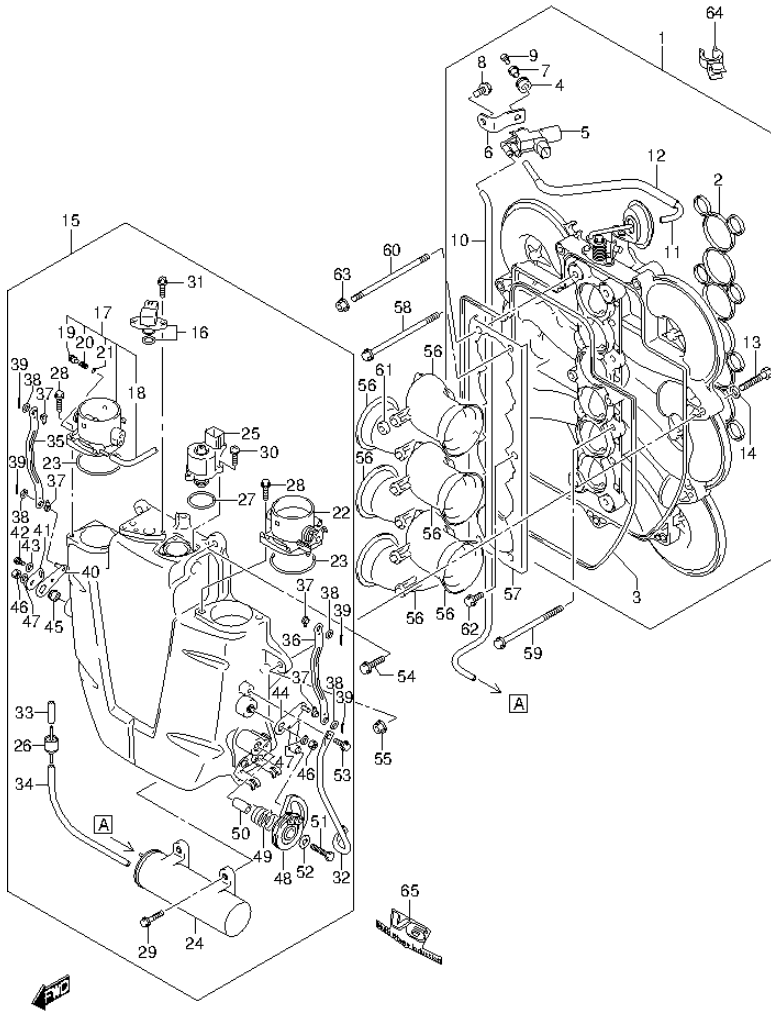


FIG.67 (1-1-5) THROTTLE BODY (DF250Z E03)

REF NO.	PART NO.	DESCRIPTION	Q'TY	REMARKS
35	13583-93J00	.ARM, LINK	1	
36	13583-93J00	.ARM, LINK	1	
37	13555-93J00	.GROMMET, LINK	4	
38	13537-93J00	.WASHER, LINK	4	
39	09204-01004	.PIN	4	
40	13553-93J00	.LEVER, NO.1	1	
41	13554-93J00	.LEVER, NO.2	1	
42	02112-35087	.SCREW	1	
43	09160-05043	.WASHER (5.5X16X1.2)	1	
44	13521-93J00	.LEVER, LINK	1	
45	13514-93J00	.SPACER, LINK SHAFT	1	
46	13599-93J00	.NUT, LINK SHAFT	2	
47	13538-93J00	.WASHER, LINK SHAFT SPRING	2	
48	13541-93J00	.CAM THROTTLE	1	
49	13542-93J00	.SPRING, THROTTLE CAM	1	
50	13543-93J00	.SPACER, THROTTLE CAM	1	
51	01500-06307	.BOLT	2	
52	09160-06036	.WASHER (6.5X18X1.5)	1	
53	01550-06167	.BOLT	2	
54	01550-08307	BOLT	7	
55	08316-10087	NUT	2	
56	13132-93J00	FUNNEL, COLLECTOR	6	
57	13133-93J00	BRACKET, COLLECTOR FUNNEL	1	
58	09103-08182	BOLT (8X125)	2	
59	09103-08134	BOLT (8X110)	4	
60	09108-08267	STUD BOLT	2	
61	09329-06002	CUSHION	6	
62	01550-0820A	BOLT	2	
63	08316-1008A	NUT	2	
64	09408-00060	CLIP	1	
65	61436-93J10	MARK, EMBLEM V6 (MSI)	1	

FIG.68

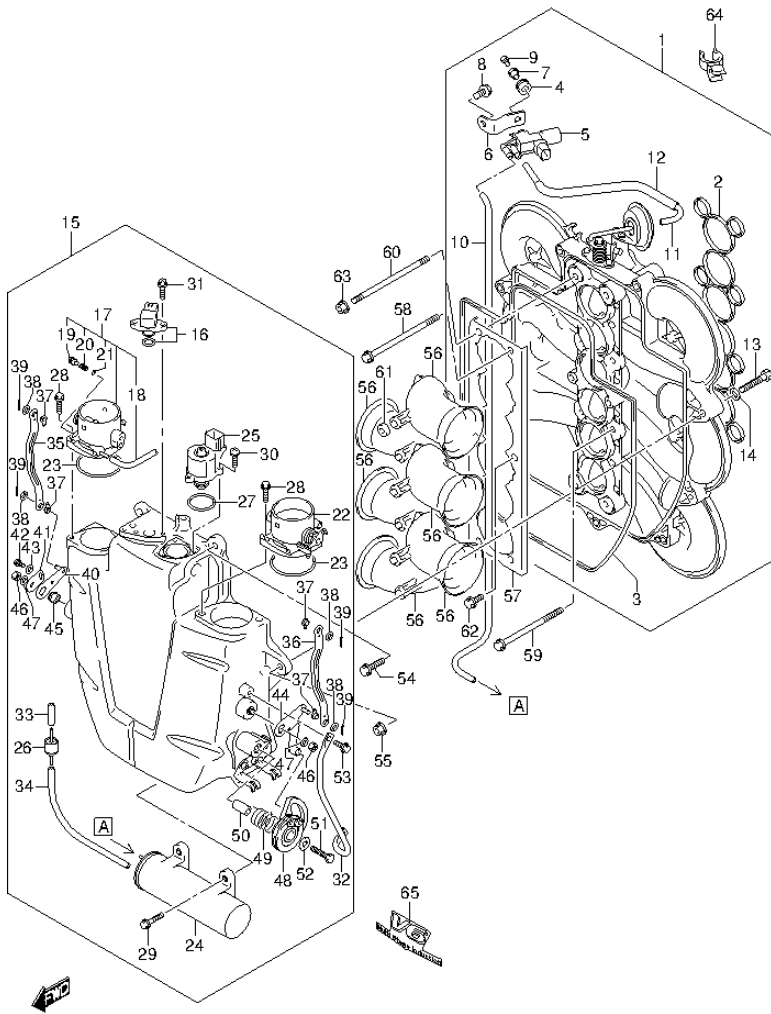


FIG.68 (1-1-6) THROTTLE BODY (DF250ST E03)

REF NO.	PART NO.	DESCRIPTION	Q'TY	REMARKS
1	13130-93J21	COLLECTOR	1	
2	13139-93J00	.GASKET, COLLECTOR	1	
3	13147-93J00	.GASKET, COLLECTOR COVER	1	
4	18116-93J00	.CUSHION, VACUUM VALVE	1	
5	18117-93J00	.VALVE, VACUUM SWITCHING	1	
6	18119-93J00	.BRACKET, VACUUM VALVE	1	
7	09169-05018	.WASHER	1	
8	01550-08167	.BOLT	1	
9	02112-0512A	.SCREW	1	
10	09355-35754-00B	.HOSE (3.5X7.5X2000)	1	L:2000->610
11	09355-35754-601	.HOSE (3.5X7.5X601)	1	L:600->160
12	18498-90J00	.PROTECTOR	1	L:290->140
13	13138-93J00	.BOLT, COLLECTOR	2	
14	08322-01087	.WASHER	2	
15	13140-93J03	COVER, COLLECTOR	1	
16	18590-68H00	.SENSOR, MAP	1	
17	13310-93J01	.BODY ASSY, THROTTLE NO.1	1	
18	13312-93J00	..HOSE, BYPASS AIR	1	
19	13279-10G00	..SCREW, BYPASS AIR	1	
20	13355-93J00	..SPRING, BYPASS AIR	1	
21	13295-10G00	..O RING, BYPASS AIR SCREW	1	
22	13320-93J00	.BODY ASSY, THROTTLE NO.2	1	
23	13421-93J00	.GASKET, THROTTLE BODY	2	
24	13730-93J00	.CHAMBER, VACUUM	1	
25	18137-93J00	.VALVE, IAC	1	
26	95569-78040	.VALVE, CHECK	1	
27	09280-29006	.O RING (D:2, ID:29.5)	1	
28	01547-06257	.BOLT	4	
29	01550-06307	.BOLT	2	
30	02112-3416B	.SCREW	3	
31	02162-0520B	.SCREW	2	
32	13144-93J00	.GUARD, THROTTLE DRUM	1	
33	09355-35754-601	.HOSE (3.5X7.5X601)	1	L:600->30
34	09355-35754-601	.HOSE (3.5X7.5X601)	1	L:600->165

FIG.68

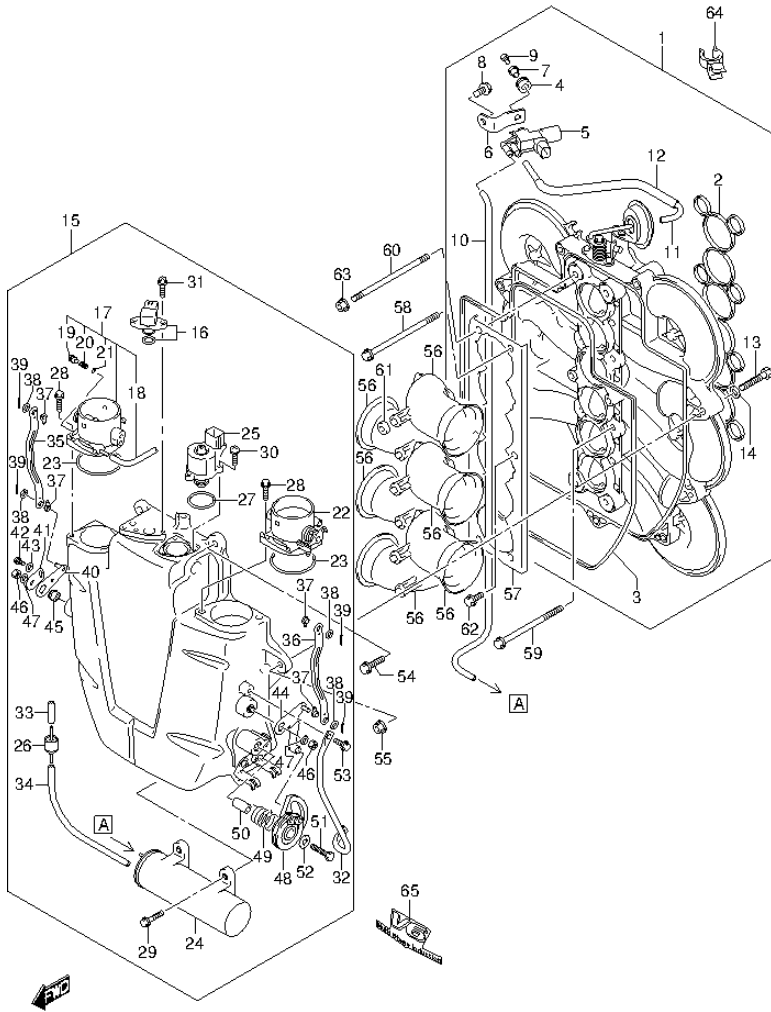


FIG.68 (1-I-7) THROTTLE BODY (DF250ST E03)

REF NO.	PART NO.	DESCRIPTION	Q'TY	REMARKS
35	13583-93J00	.ARM, LINK	1	
36	13583-93J00	.ARM, LINK	1	
37	13555-93J00	.GROMMET, LINK	4	
38	13537-93J00	.WASHER, LINK	4	
39	09204-01004	.PIN	4	
40	13553-93J00	.LEVER, NO.1	1	
41	13554-93J00	.LEVER, NO.2	1	
42	02112-35087	.SCREW	1	
43	09160-05043	.WASHER (5.5X16X1.2)	1	
44	13521-93J00	.LEVER, LINK	1	
45	13514-93J00	.SPACER, LINK SHAFT	1	
46	13599-93J00	.NUT, LINK SHAFT	2	
47	13538-93J00	.WASHER, LINK SHAFT SPRING	2	
48	13541-93J00	.CAM THROTTLE	1	
49	13542-93J00	.SPRING, THROTTLE CAM	1	
50	13543-93J00	.SPACER, THROTTLE CAM	1	
51	01500-06307	.BOLT	2	
52	09160-06036	.WASHER (6.5X18X1.5)	1	
53	01550-06167	.BOLT	2	
54	01550-08307	BOLT	7	
55	08316-10087	NUT	2	
56	13132-93J00	FUNNEL, COLLECTOR	6	
57	13133-93J00	BRACKET, COLLECTOR FUNNEL	1	
58	09103-08182	BOLT (8X125)	2	
59	09103-08134	BOLT (8X110)	4	
60	09108-08267	STUD BOLT	2	
61	09329-06002	CUSHION	6	
62	01550-0820A	BOLT	2	
63	08316-1008A	NUT	2	
64	09408-00060	CLIP	1	
65	61436-93J10	MARK, EMBLEM V6 (MSI)	1	

FIG.69

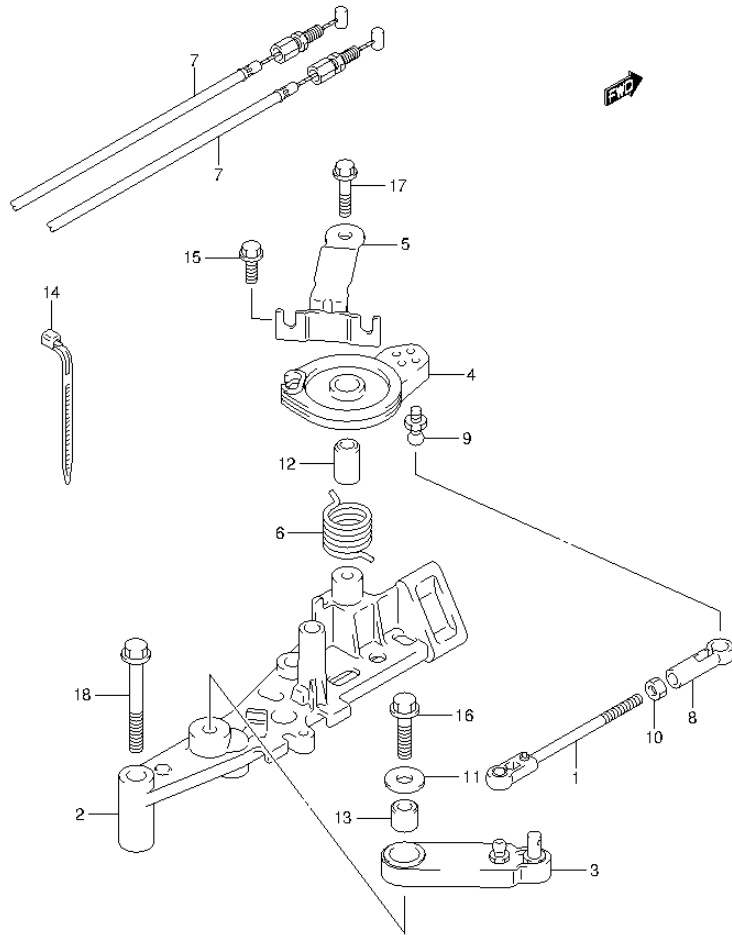


FIG.69 (1-I-8) THROTTLE ROD

REF NO.	PART NO.	DESCRIPTION	Q'TY	REMARKS
1	13510-93J00	ROD, THROTTLE NO.1	1	
2	19115-93J01	HOLDER, THROTTLE LEVER	1	
3	19121-93J02	LEVER, THROTTLE NO.1	1	
4	19148-93J00	DRUM, THROTTLE	1	
5	19184-93J00	BRACKET, THROTTLE CABLE	1	
6	19185-93J00	SPRING, THROTTLE LEVER	1	
7	63610-93J00	CABLE, THROTTLE	2	
8	67463-95200	CONNECTOR, THROTTLE ROD	1	
9	09119-06047	PIVOT	1	
10	09140-05005	NUT	1	
11	09160-06066	WASHER (6.5X20X1.6)	1	
12	09180-06186	SPACER (6.2X12.6X21)	1	
13	09180-06230	SPACER (6.2X12.6X12.5)	1	
14	09407-11401	CLAMP (L:95)	1	
15	01550-06167	BOLT	1	
16	01550-06257	BOLT	1	
17	01550-06357	BOLT	1	
18	01550-08607	BOLT	2	

FIG.70

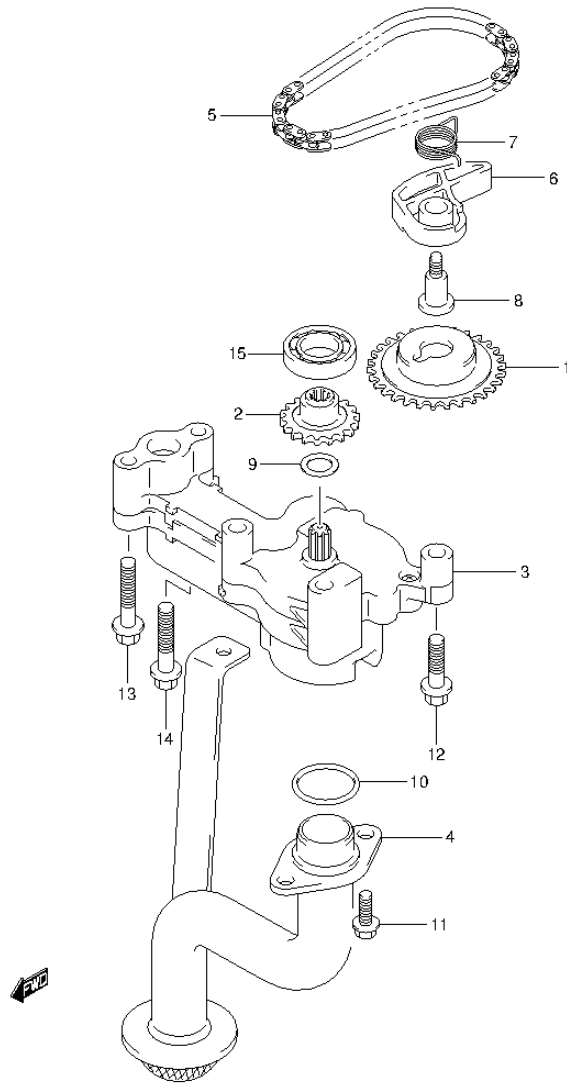


FIG.70 (1-I-9) OIL PUMP

REF NO.	PART NO.	DESCRIPTION	Q'TY	REMARKS
1	12632-93J11	SPROCKET, OIL PUMP DRIVE	1	
2	16113-93J10	SPROCKET, OIL PUMP DRIVEN	1	
3	16400-93J02	PUMP ASSY, OIL	1	
4	16520-93J00	STRAINER, OIL PUMP	1	
5	16760-93J00	CHAIN, OIL PUMP DRIVE	1	
6	16781-93J00	TENSIONER, OIL PUMP CHAIN	1	
7	16782-93J00	SPRING, OIL PUMP TENSIONER	1	
8	16783-93J01	BOLT, OIL PUMP TENSIONER	1	
9	09181-12158	SHIM (12X20X0.5)	1	
10	09280-22020	O RING (D:2.4,ID:21.8)	2	
11	01550-0616A	BOLT	3	
12	01550-0845A	BOLT	1	
13	01550-0865A	BOLT	3	
14	01550-0885A	BOLT	1	
15	08110-60020	BEARING	1	

FIG.71

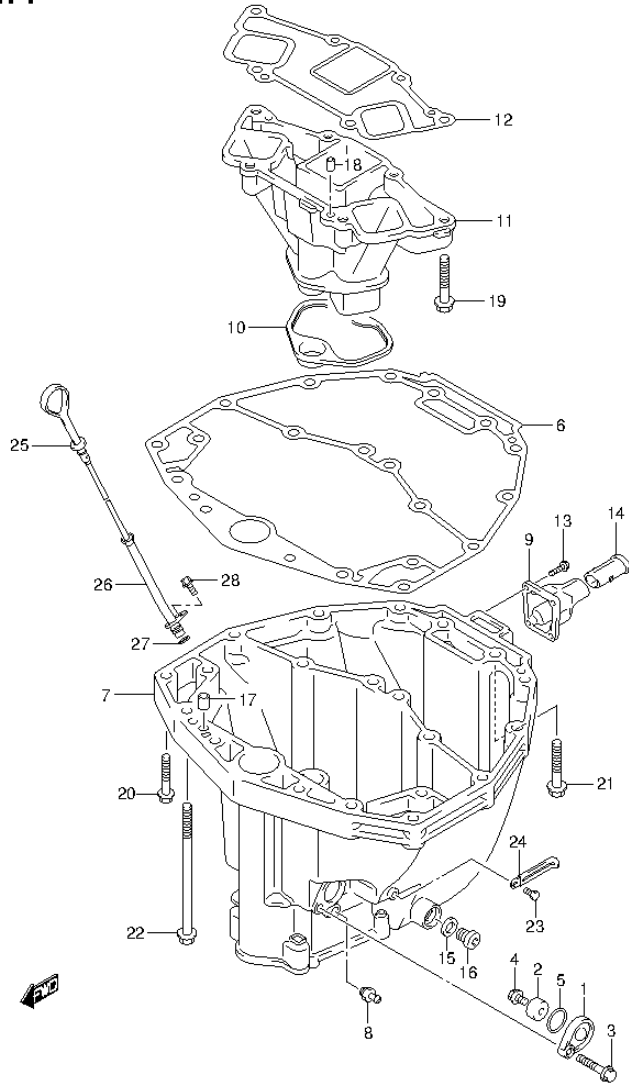


FIG.71 (1-I-10) OIL PAN

REF NO.	PART NO.	DESCRIPTION	Q'TY	REMARKS
1	11261-93J00-0EP	COVER, PROTECTION ANODE (BLACK)	1	
2-1	55321-87J00	ANODE, PROTECTION	1	
2-2	55321-87J10	ANODE (MAGNESIUM)	1	OPT
3	29103-93J30	BOLT, ANODE COVER	1	
4	09103-06281	BOLT (6X14)	1	
5	09280-22019	O RING (D:1.9,ID:21.8)	1	
6	11489-93J00	GASKET, OIL PAN	1	
7	11501-93J02-0EP	PAN, OIL (BLACK)	1	
8	11591-93J10	UNION, OIL PAN	1	
9	11541-93J00-0EP	PIPE, EXHAUST (BLACK)	1	
10	14154-93J01	SEAL, EXHAUST TUBE	1	
11	14211-93J00	TUBE, EXHAUST	1	
12	14212-93J00	GASKET, EXHAUST TUBE	1	
13	29116-93J00	BOLT, EXHAUST PIPE	4	
14	11435-93J00	PIPE, EXHAUST RELEASE	1	
15	09168-12012	GASKET (12.5X20X2.5)	1	
16	09248-12009	PLUG (12X18.65)	1	
17	09202-08006	PIN (8X12)	2	
18	09202-08006	PIN (8X12)	2	
19	01550-1050A	BOLT	4	
20	09116-08128	BOLT (8X40)	10	
21	09116-10175	BOLT (10X50)	2	
22	09116-10146	BOLT (10X195)	4	
23	29103-93J00	BOLT, SPEEDOMETER HOSE CLAMP	1	
24	29404-93J10	CLAMP, SPEEDOMETER HOSE	1	
25	16910-93J00	GAUGE, OIL LEVEL	1	
26	16930-93J00	GUIDE, OIL LEVEL GAUGE	1	
27	09280-09008	O RING (D:2.1,ID:8.8)	1	
28	01550-06127	BOLT	1	

FIG.72

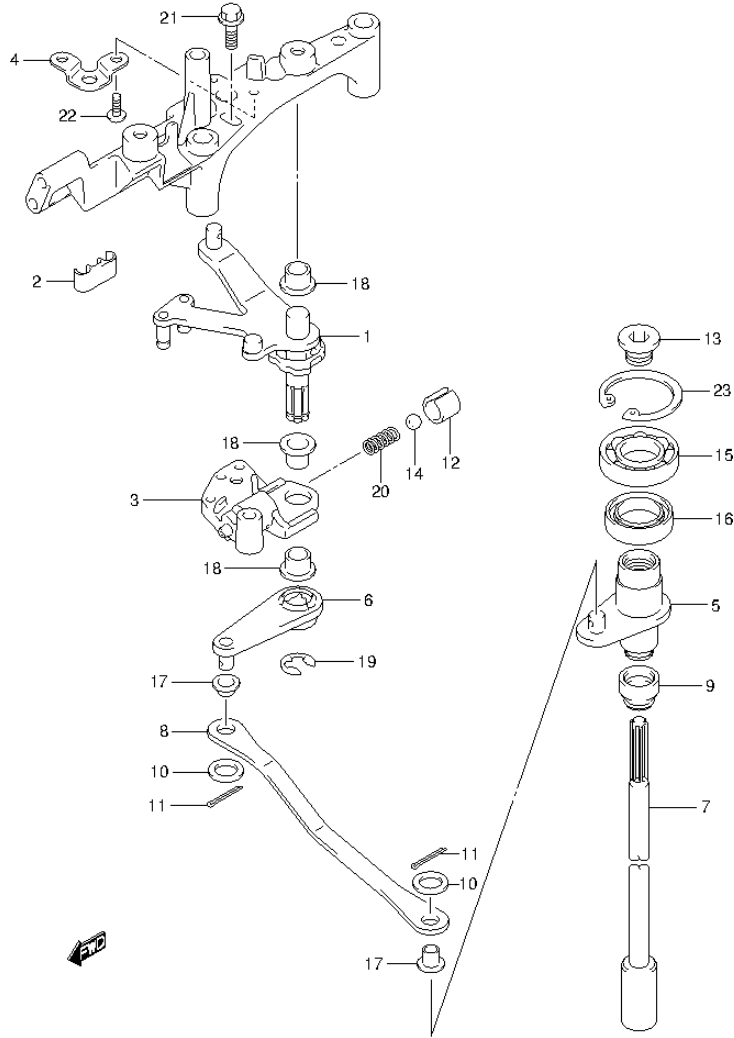


FIG.72 (1-1-11) CLUTCH SHAFT (DF200T E03)

REF NO.	PART NO.	DESCRIPTION	Q'TY	REMARKS
1	21100-93J01	LEVER, CLUTCH	1	
2	21131-93J00	BUSH, CLUTCH LEVER	1	
3	21151-93J00	HOLDER, CLUTCH LEVER	1	
4	21155-93J00	PLATE, SHIFT LEVER	1	
5	21210-93J01	SHAFT, CLUTCH	1	
6	21230-93J01	ARM, CLUTCH SHAFT	1	
7-1	23111-93J00	ROD, CLUTCH (UL)	1	W/TRANSOM(X)
7-2	23111-93J10	ROD, CLUTCH (L)	1	W/TRANSOM(L)
8	23115-93J00	LINK, CLUTCH LEVER	1	
9	25223-94400	COVER, CLUTCH ROD	1	
10	09160-06094	WASHER (6.5X15X1.5)	2	
11	09204-01006	PIN	2	
12	09205-10006	SPRING PIN (10.2X10)	1	
13	09248-12011	PLUG (12X9)	1	
14	09260-10005	BALL	1	
15	09262-17019	BEARING (17X35X8)	1	
16	09289-18001	OIL SEAL (18X30X8)	1	
17	09306-06004	BUSH	2	
18	09306-10001	BUSH	3	
19	09383-08004	E RING	1	
20	09440-07051	SPRING	1	
21	01550-06207	BOLT	1	
22	02142-05107	SCREW	2	
23	08331-41359	CIRCLIP	1	

FIG.73

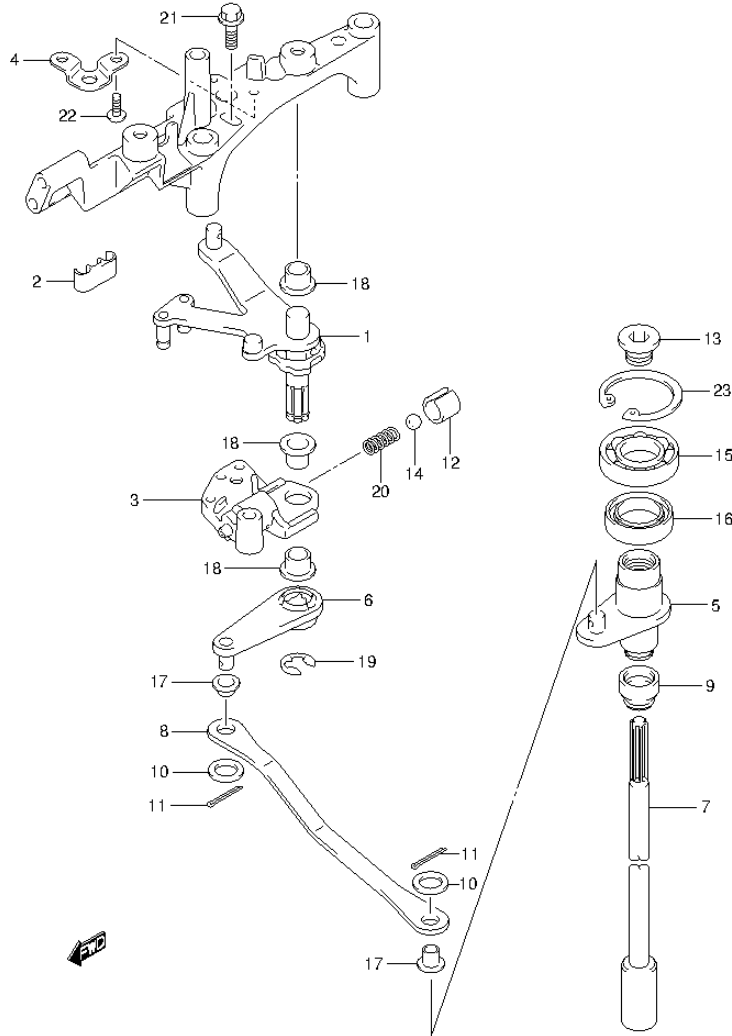


FIG.73 (1-12) CLUTCH SHAFT (DF200Z E03)

REF NO.	PART NO.	DESCRIPTION	Q'TY	REMARKS
1	21100-93J01	LEVER, CLUTCH	1	
2	21131-93J00	BUSH, CLUTCH LEVER	1	
3	21151-93J00	HOLDER, CLUTCH LEVER	1	
4	21155-93J00	PLATE, SHIFT LEVER	1	
5	21210-93J01	SHAFT, CLUTCH	1	
6	21230-93J01	ARM, CLUTCH SHAFT	1	
7	23111-93J00	ROD, CLUTCH (UL)	1	
8	23115-93J00	LINK, CLUTCH LEVER	1	
9	25223-94400	COVER, CLUTCH ROD	1	
10	09160-06094	WASHER (6.5X15X1.5)	2	
11	09204-01006	PIN	2	
12	09205-10006	SPRING PIN (10.2X10)	1	
13	09248-12011	PLUG (12X9)	1	
14	09260-10005	BALL	1	
15	09262-17019	BEARING (17X35X8)	1	
16	09289-18001	OIL SEAL (18X30X8)	1	
17	09306-06004	BUSH	2	
18	09306-10001	BUSH	3	
19	09383-08004	E RING	1	
20	09440-07051	SPRING	1	
21	01550-06207	BOLT	1	
22	02142-05107	SCREW	2	
23	08331-41359	CIRCLIP	1	

FIG.74

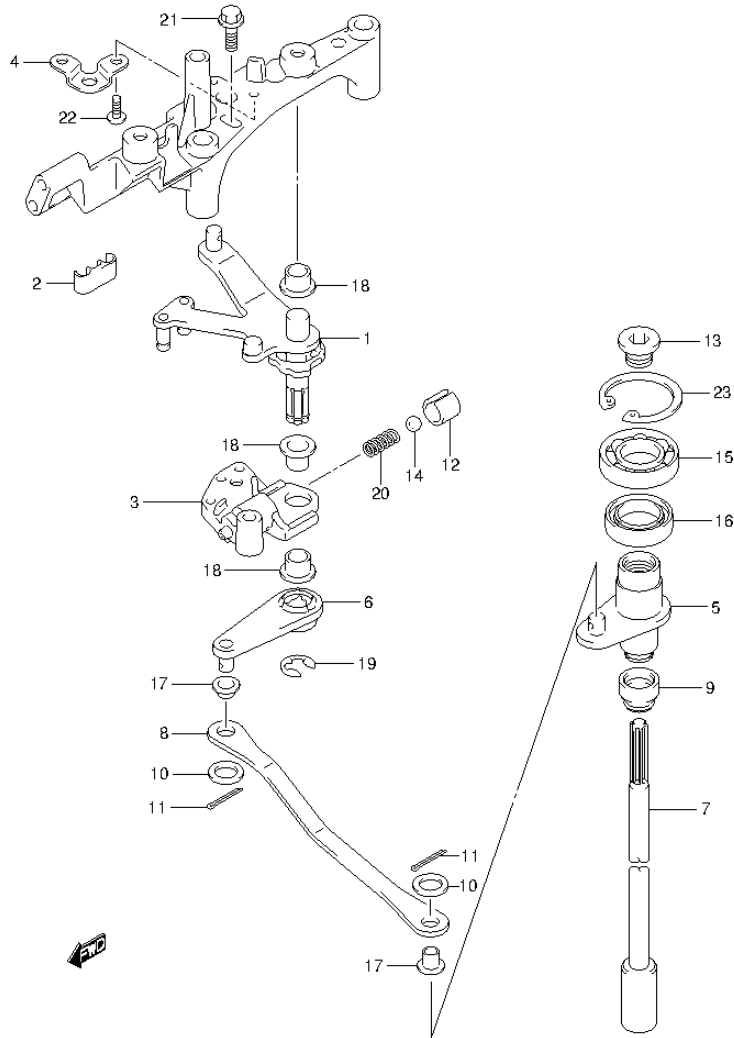


FIG.74 (1-I-13) CLUTCH SHAFT (DF225T E03)

REF NO.	PART NO.	DESCRIPTION	Q'TY	REMARKS
1	21100-93J01	LEVER, CLUTCH	1	
2	21131-93J00	BUSH, CLUTCH LEVER	1	
3	21151-93J00	HOLDER, CLUTCH LEVER	1	
4	21155-93J00	PLATE, SHIFT LEVER	1	
5	21210-93J01	SHAFT, CLUTCH	1	
6	21230-93J01	ARM, CLUTCH SHAFT	1	
7	23111-93J00	ROD, CLUTCH (UL)	1	W/TRANSOM(X,XX)
8	23115-93J00	LINK, CLUTCH LEVER	1	
9	25223-94400	COVER, CLUTCH ROD	1	
10	09160-06094	WASHER (6.5X15X1.5)	2	
11	09204-01006	PIN	2	
12	09205-10006	SPRING PIN (10.2X10)	1	
13	09248-12011	PLUG (12X9)	1	
14	09260-10005	BALL	1	
15	09262-17019	BEARING (17X35X8)	1	
16	09289-18001	OIL SEAL (18X30X8)	1	
17	09306-06004	BUSH	2	
18	09306-10001	BUSH	3	
19	09383-08004	E RING	1	
20	09440-07051	SPRING	1	
21	01550-06207	BOLT	1	
22	02142-05107	SCREW	2	
23	08331-41359	CIRCLIP	1	

FIG.75

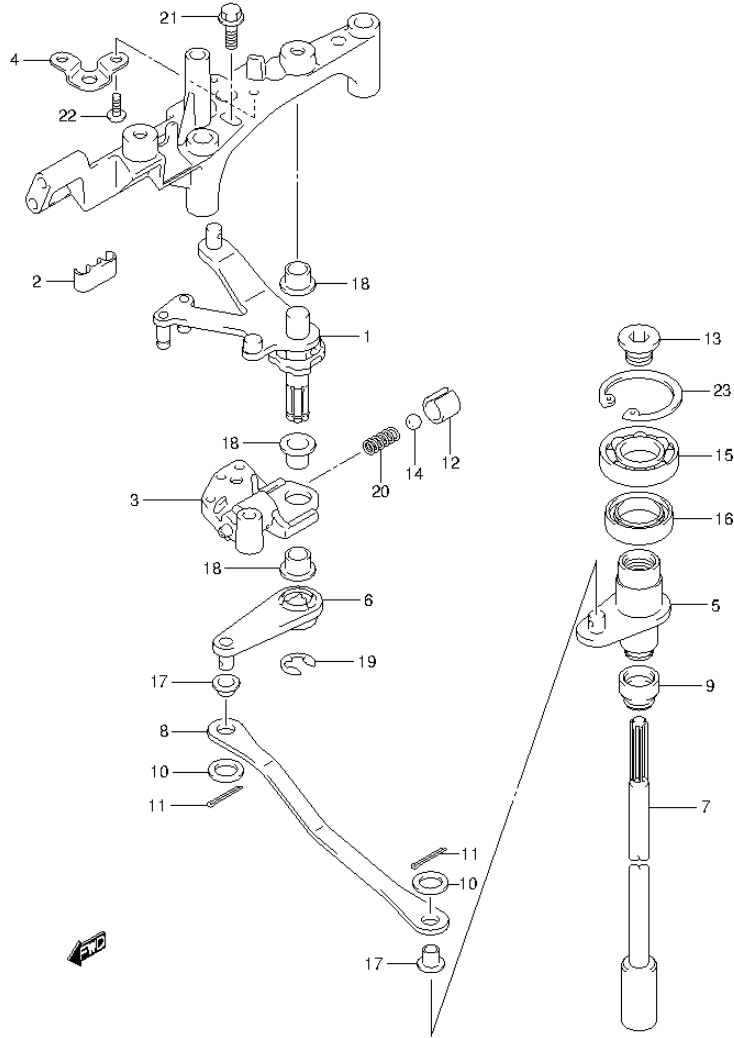


FIG.75 (1-1-14) CLUTCH SHAFT (DF225Z E03)

REF NO.	PART NO.	DESCRIPTION	Q'TY	REMARKS
1	21100-93J01	LEVER, CLUTCH	1	
2	21131-93J00	BUSH, CLUTCH LEVER	1	
3	21151-93J00	HOLDER, CLUTCH LEVER	1	
4	21155-93J00	PLATE, SHIFT LEVER	1	
5	21210-93J01	SHAFT, CLUTCH	1	
6	21230-93J01	ARM, CLUTCH SHAFT	1	
7	23111-93J00	ROD, CLUTCH (UL)	1	W/TRANSOM(X,XX)
8	23115-93J00	LINK, CLUTCH LEVER	1	
9	25223-94400	COVER, CLUTCH ROD	1	
10	09160-06094	WASHER (6.5X15X1.5)	2	
11	09204-01006	PIN	2	
12	09205-10006	SPRING PIN (10.2X10)	1	
13	09248-12011	PLUG (12X9)	1	
14	09260-10005	BALL	1	
15	09262-17019	BEARING (17X35X8)	1	
16	09289-18001	OIL SEAL (18X30X8)	1	
17	09306-06004	BUSH	2	
18	09306-10001	BUSH	3	
19	09383-08004	E RING	1	
20	09440-07051	SPRING	1	
21	01550-06207	BOLT	1	
22	02142-05107	SCREW	2	
23	08331-41359	CIRCLIP	1	

FIG.76

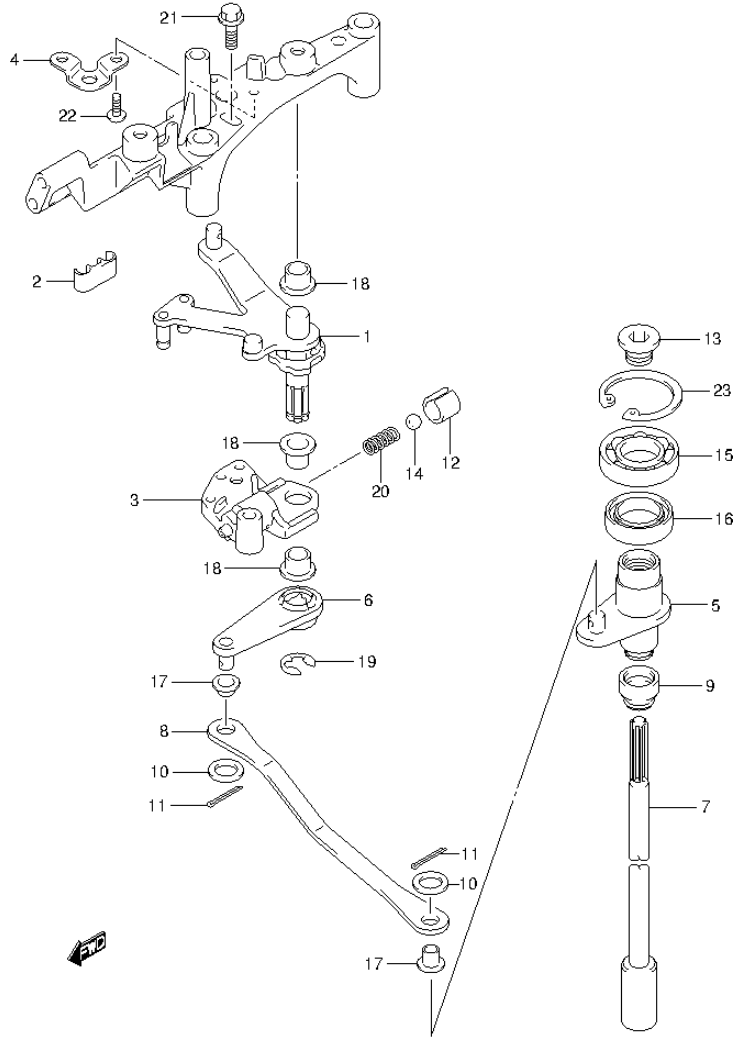


FIG.76 (1-15) CLUTCH SHAFT (DF250T E03)

REF NO.	PART NO.	DESCRIPTION	Q'TY	REMARKS
1	21100-93J01	LEVER, CLUTCH	1	
2	21131-93J00	BUSH, CLUTCH LEVER	1	
3	21151-93J00	HOLDER, CLUTCH LEVER	1	
4	21155-93J00	PLATE, SHIFT LEVER	1	
5	21210-93J01	SHAFT, CLUTCH	1	
6	21230-93J01	ARM, CLUTCH SHAFT	1	
7	23111-93J00	ROD, CLUTCH (UL)	1	W/TRANSOM(X,XX)
8	23115-93J00	LINK, CLUTCH LEVER	1	
9	25223-94400	COVER, CLUTCH ROD	1	
10	09160-06094	WASHER (6.5X15X1.5)	2	
11	09204-01006	PIN	2	
12	09205-10006	SPRING PIN (10.2X10)	1	
13	09248-12011	PLUG (12X9)	1	
14	09260-10005	BALL	1	
15	09262-17019	BEARING (17X35X8)	1	
16	09289-18001	OIL SEAL (18X30X8)	1	
17	09306-06004	BUSH	2	
18	09306-10001	BUSH	3	
19	09383-08004	E RING	1	
20	09440-07051	SPRING	1	
21	01550-06207	BOLT	1	
22	02142-05107	SCREW	2	
23	08331-41359	CIRCLIP	1	

FIG.77

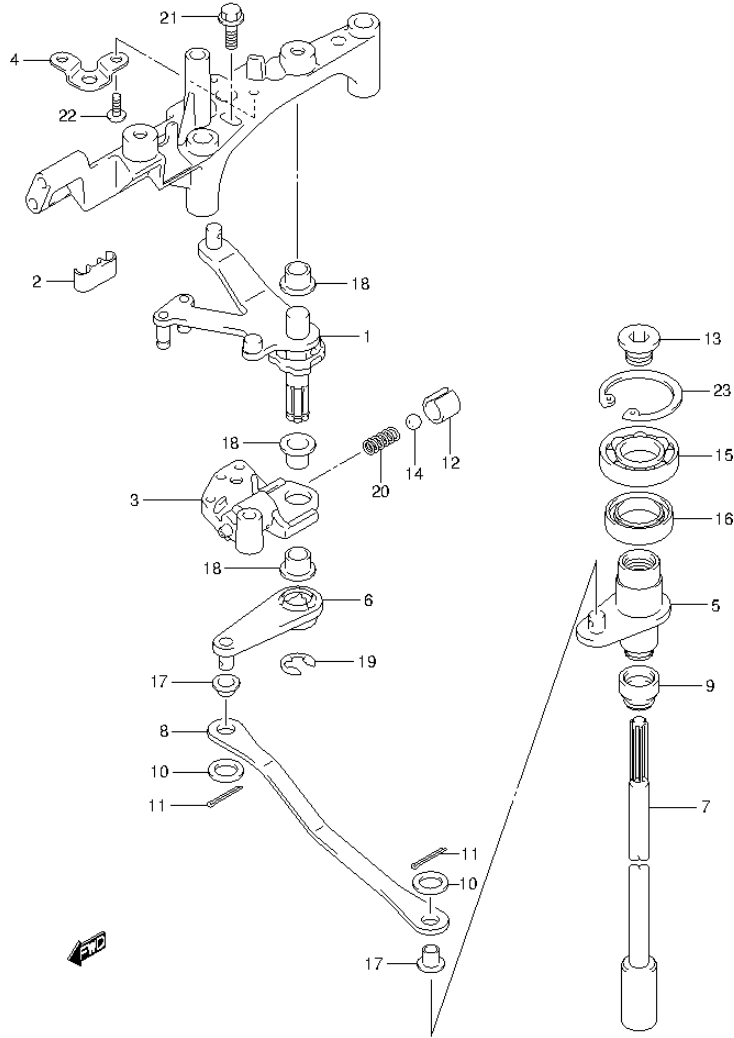


FIG.77 (1-J-2) CLUTCH SHAFT (DF250Z E03)

REF NO.	PART NO.	DESCRIPTION	Q'TY	REMARKS
1	21100-93J01	LEVER, CLUTCH	1	
2	21131-93J00	BUSH, CLUTCH LEVER	1	
3	21151-93J00	HOLDER, CLUTCH LEVER	1	
4	21155-93J00	PLATE, SHIFT LEVER	1	
5	21210-93J01	SHAFT, CLUTCH	1	
6	21230-93J01	ARM, CLUTCH SHAFT	1	
7	23111-93J00	ROD, CLUTCH (UL)	1	W/TRANSOM(X,XX)
8	23115-93J00	LINK, CLUTCH LEVER	1	
9	25223-94400	COVER, CLUTCH ROD	1	
10	09160-06094	WASHER (6.5X15X1.5)	2	
11	09204-01006	PIN	2	
12	09205-10006	SPRING PIN (10.2X10)	1	
13	09248-12011	PLUG (12X9)	1	
14	09260-10005	BALL	1	
15	09262-17019	BEARING (17X35X8)	1	
16	09289-18001	OIL SEAL (18X30X8)	1	
17	09306-06004	BUSH	2	
18	09306-10001	BUSH	3	
19	09383-08004	E RING	1	
20	09440-07051	SPRING	1	
21	01550-06207	BOLT	1	
22	02142-05107	SCREW	2	
23	08331-41359	CIRCLIP	1	

FIG.78

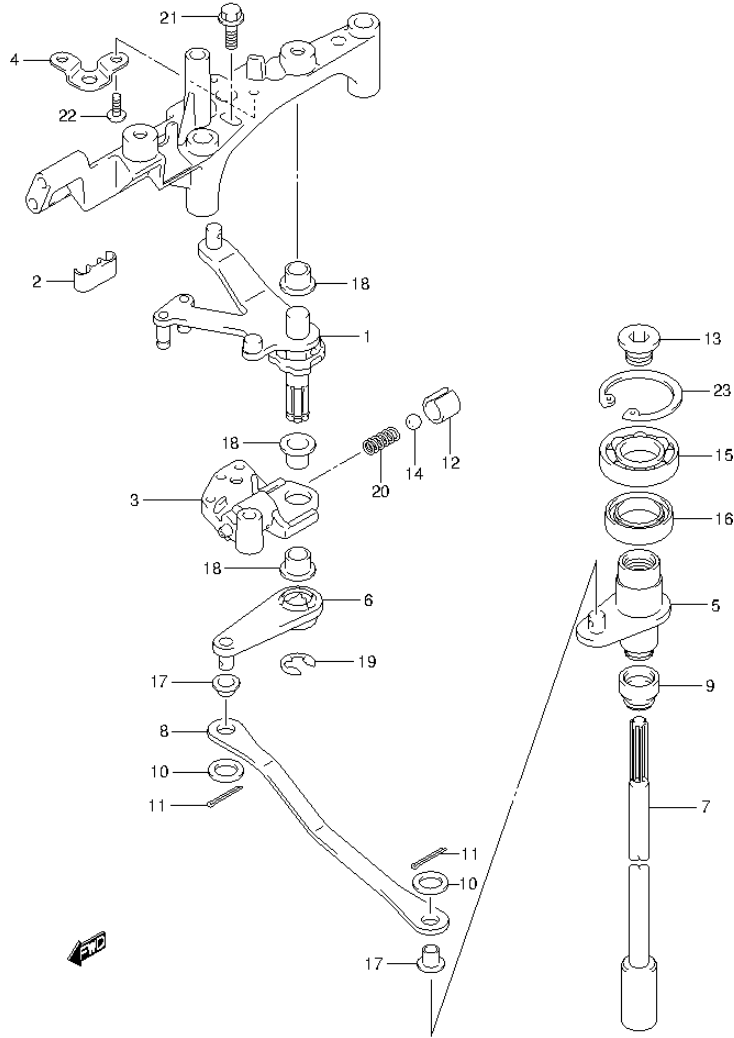


FIG.78 (1-J-3) CLUTCH SHAFT (DF250ST E03)

REF NO.	PART NO.	DESCRIPTION	Q'TY	REMARKS
1	21100-93J01	LEVER, CLUTCH	1	
2	21131-93J00	BUSH, CLUTCH LEVER	1	
3	21151-93J00	HOLDER, CLUTCH LEVER	1	
4	21155-93J00	PLATE, SHIFT LEVER	1	
5	21210-93J01	SHAFT, CLUTCH	1	
6	21230-93J01	ARM, CLUTCH SHAFT	1	
7	23111-93J10	ROD, CLUTCH (L)	1	
8	23115-93J00	LINK, CLUTCH LEVER	1	
9	25223-94400	COVER, CLUTCH ROD	1	
10	09160-06094	WASHER (6.5X15X1.5)	2	
11	09204-01006	PIN	2	
12	09205-10006	SPRING PIN (10.2X10)	1	
13	09248-12011	PLUG (12X9)	1	
14	09260-10005	BALL	1	
15	09262-17019	BEARING (17X35X8)	1	
16	09289-18001	OIL SEAL (18X30X8)	1	
17	09306-06004	BUSH	2	
18	09306-10001	BUSH	3	
19	09383-08004	E RING	1	
20	09440-07051	SPRING	1	
21	01550-06207	BOLT	1	
22	02142-05107	SCREW	2	
23	08331-41359	CIRCLIP	1	

FIG.79

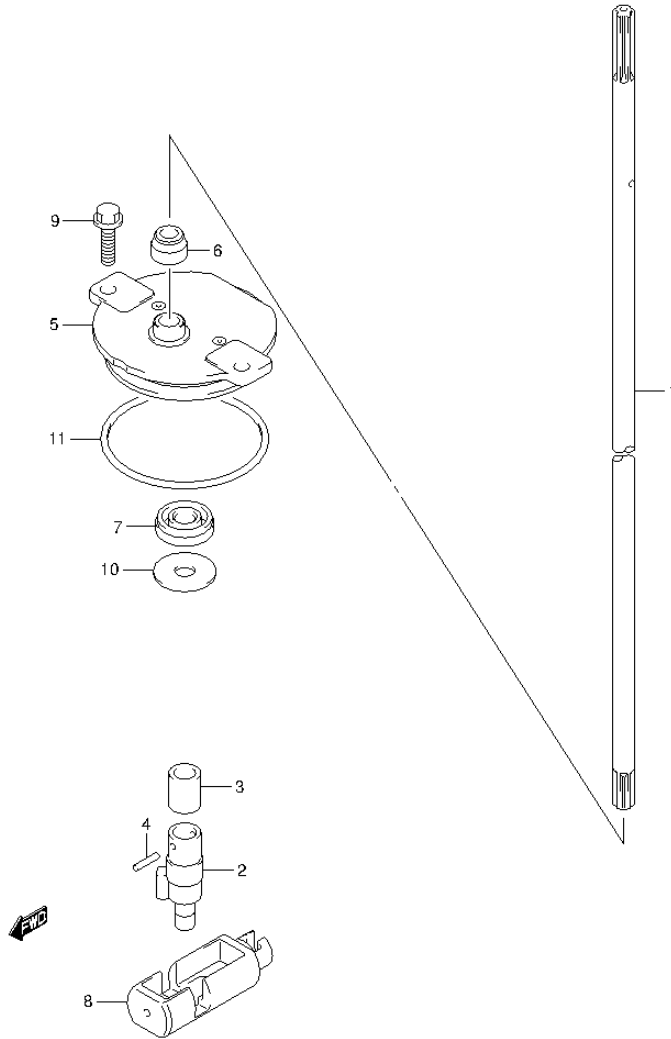


FIG.79 (1-J-4) CLUTCH ROD (DF200T E03)

REF NO.	PART NO.	DESCRIPTION	Q'TY	REMARKS
1	25111-93J00	ROD, SHIFT ASSIST (UL)	1	W/TRANSOM(L,X)
2	25131-93J00	YOKE, SHIFTER	1	
3	25232-96302	MAGNET, GEAR CASE	1	
4	09205-02006	SPRING PIN (2X12)	2	
5	25141-93J00	HOUSING, SHIFT ROD GUIDE	1	
6	25223-94400	COVER, CLUTCH ROD	1	
7	09282-08005	OIL SEAL (8X22X7)	1	
8	25321-93J00	SLIDER, SHIFT HORIZONTAL	1	
9	29116-93J00	BOLT, SHIFT ROD HOUSING	2	
10	09160-08151	WASHER (8.5X26X1.6)	1	
11	09280-60007	O RING (D;3.5,ID:59.6)	1	

FIG.80

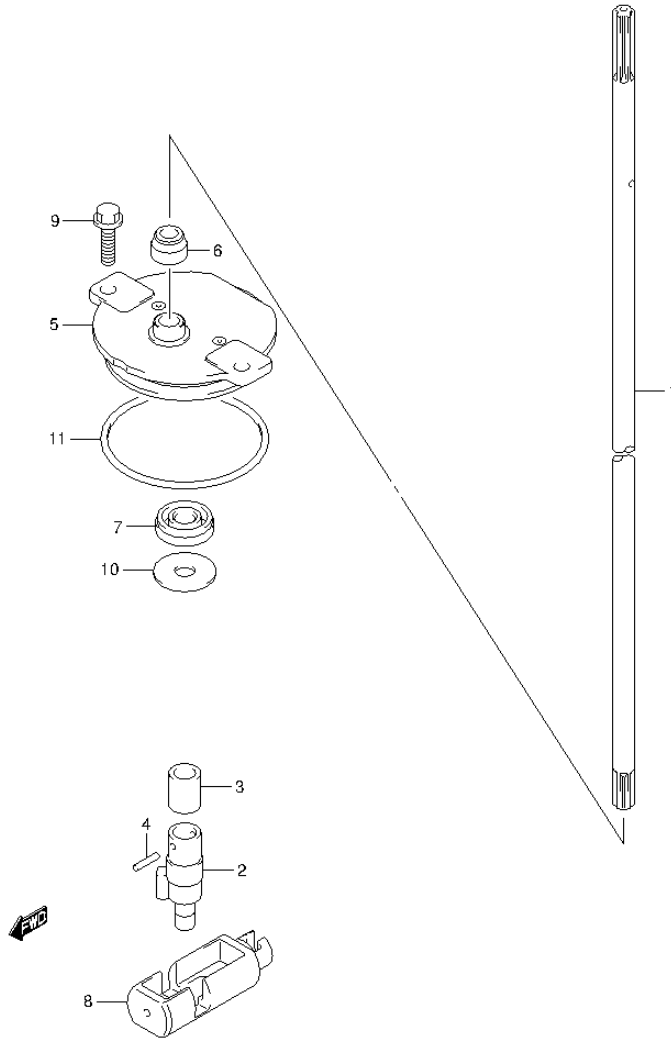


FIG.80 (1-J-5) CLUTCH ROD (DF200Z E03)

REF NO.	PART NO.	DESCRIPTION	Q'TY	REMARKS
1	25111-93J00	ROD, SHIFT ASSIST (UL)	1	
2	25131-93J00	YOKE, SHIFTER	1	
3	25232-96302	MAGNET, GEAR CASE	1	
4	09205-02006	SPRING PIN (2X12)	2	
5	25141-93J00	HOUSING, SHIFT ROD GUIDE	1	
6	25223-94400	COVER, CLUTCH ROD	1	
7	09282-08005	OIL SEAL (8X22X7)	1	
8	25321-93J00	SLIDER, SHIFT HORIZONTAL	1	
9	29116-93J00	BOLT, SHIFT ROD HOUSING	2	
10	09160-08151	WASHER (8.5X26X1.6)	1	
11	09280-60007	O RING (D;3.5,ID:59.6)	1	

FIG.81

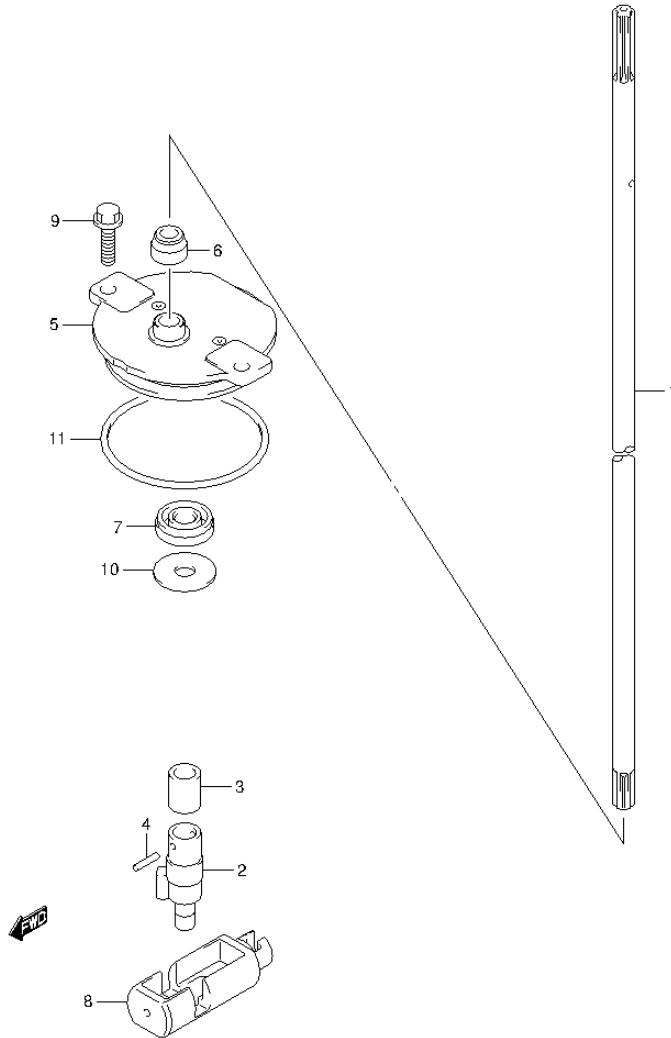


FIG.81 (1-J-6) CLUTCH ROD (DF225T E03)

REF NO.	PART NO.	DESCRIPTION	Q'TY	REMARKS
1-1	25111-93J00	ROD, SHIFT ASSIST (UL)	1	W/TRANSOM(X)
1-2	25111-93J10	ROD, SHIFT ASSIST (XX)	1	W/TRANSOM(XX)
2	25131-93J00	YOKE, SHIFTER	1	
3	25232-96302	MAGNET, GEAR CASE	1	
4	09205-02006	SPRING PIN (2X12)	2	
5	25141-93J00	HOUSING, SHIFT ROD GUIDE	1	
6	25223-94400	COVER, CLUTCH ROD	1	
7	09282-08005	OIL SEAL (8X22X7)	1	
8	25321-93J00	SLIDER, SHIFT HORIZONTAL	1	
9	29116-93J00	BOLT, SHIFT ROD HOUSING	2	
10	09160-08151	WASHER (8.5X26X1.6)	1	
11	09280-60007	O RING (D:3.5,ID:59.6)	1	

FIG.82

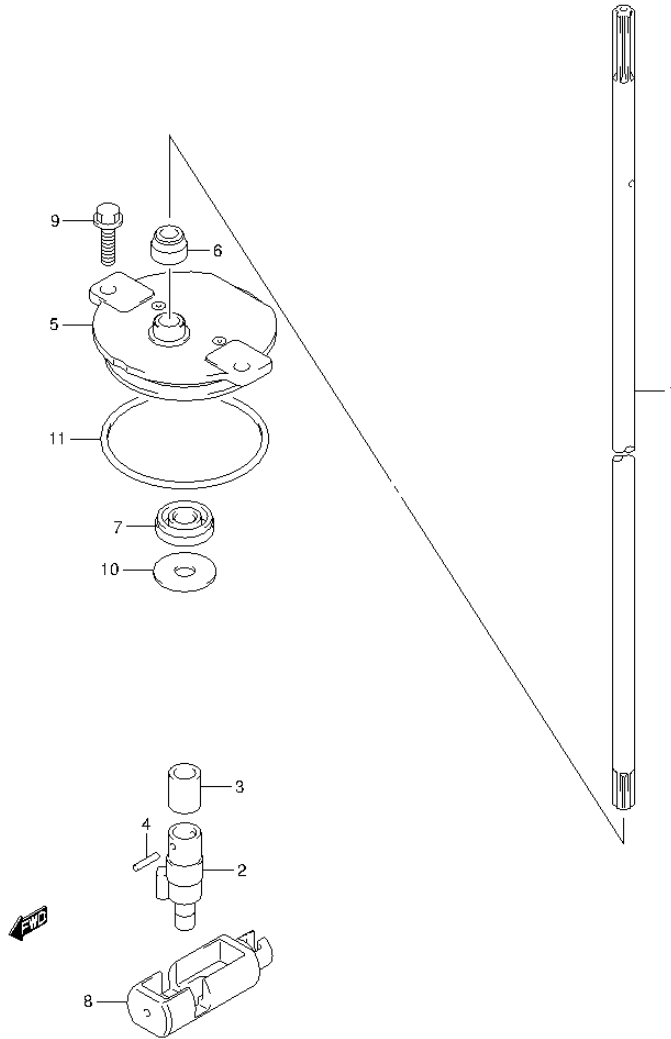


FIG.82 (1-J-7) CLUTCH ROD (DF225Z E03)

REF NO.	PART NO.	DESCRIPTION	Q'TY	REMARKS
1-1	25111-93J00	ROD, SHIFT ASSIST (UL)	1	W/TRANSOM(X)
1-2	25111-93J10	ROD, SHIFT ASSIST (XX)	1	W/TRANSOM(XX)
2	25131-93J00	YOKE, SHIFTER	1	
3	25232-96302	MAGNET, GEAR CASE	1	
4	09205-02006	SPRING PIN (2X12)	2	
5	25141-93J00	HOUSING, SHIFT ROD GUIDE	1	
6	25223-94400	COVER, CLUTCH ROD	1	
7	09282-08005	OIL SEAL (8X22X7)	1	
8	25321-93J00	SLIDER, SHIFT HORIZONTAL	1	
9	29116-93J00	BOLT, SHIFT ROD HOUSING	2	
10	09160-08151	WASHER (8.5X26X1.6)	1	
11	09280-60007	O RING (D:3.5,ID:59.6)	1	

FIG.83

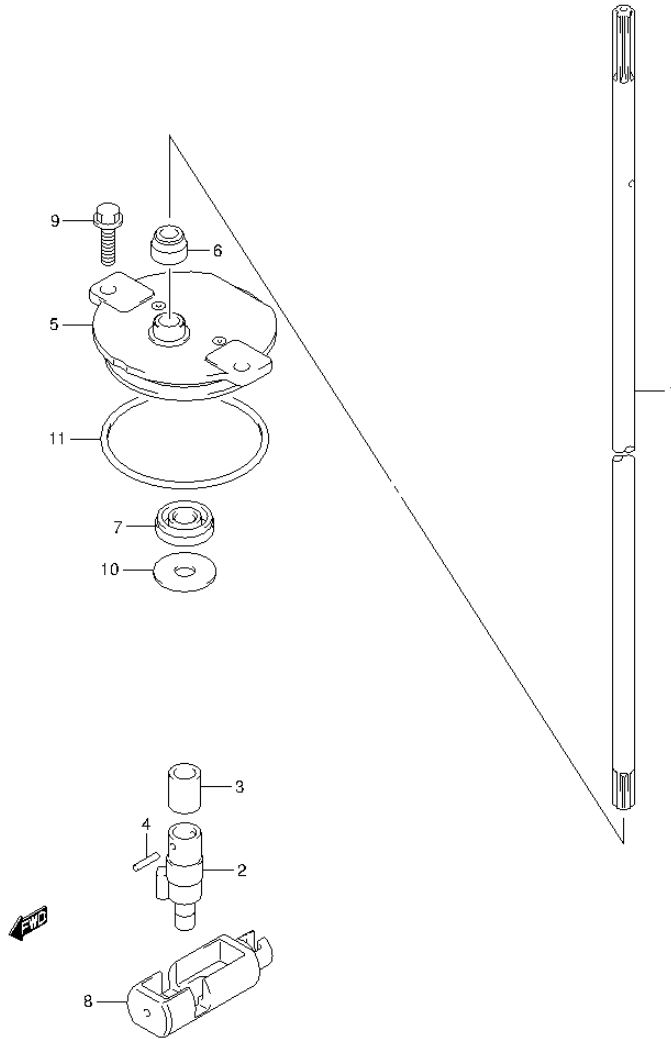


FIG.83 (1-J-8) CLUTCH ROD (DF250T E03)

REF NO.	PART NO.	DESCRIPTION	Q'TY	REMARKS
1-1	25111-93J00	ROD, SHIFT ASSIST (UL)	1	W/TRANSOM(X)
1-2	25111-93J10	ROD, SHIFT ASSIST (XX)	1	W/TRANSOM(XX)
2	25131-93J00	YOKE, SHIFTER	1	
3	25232-96302	MAGNET, GEAR CASE	1	
4	09205-02006	SPRING PIN (2X12)	2	
5	25141-93J00	HOUSING, SHIFT ROD GUIDE	1	
6	25223-94400	COVER, CLUTCH ROD	1	
7	09282-08005	OIL SEAL (8X22X7)	1	
8	25321-93J00	SLIDER, SHIFT HORIZONTAL	1	
9	29116-93J00	BOLT, SHIFT ROD HOUSING	2	
10	09160-08151	WASHER (8.5X26X1.6)	1	
11	09280-60007	O RING (D:3.5,ID:59.6)	1	

FIG.84

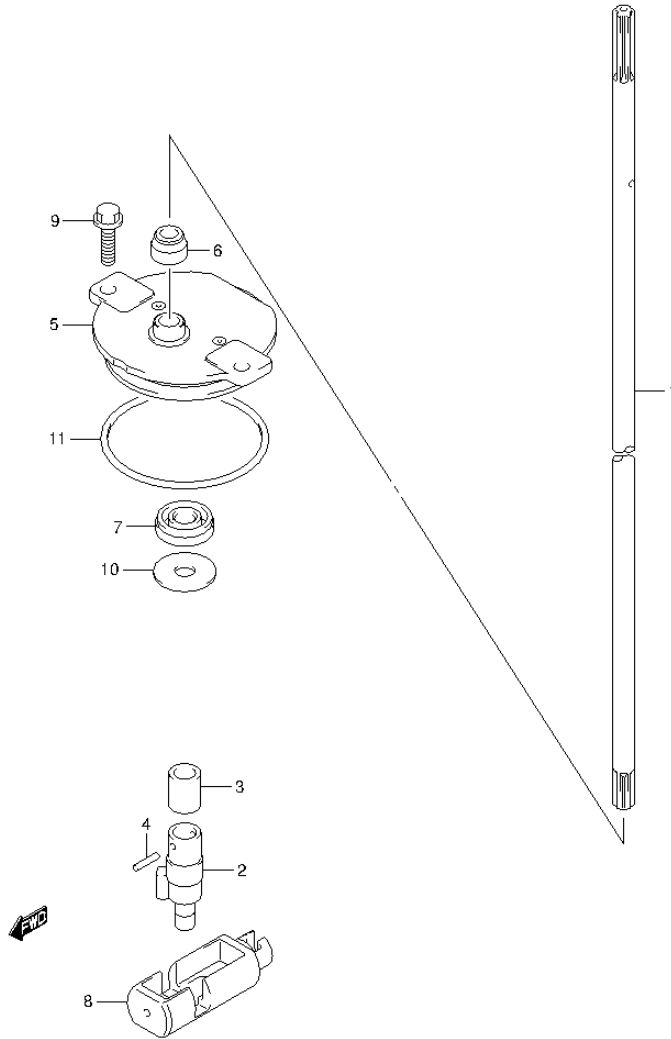


FIG.84 (1-J-9) CLUTCH ROD (DF250Z E03)

REF NO.	PART NO.	DESCRIPTION	Q'TY	REMARKS
1-1	25111-93J00	ROD, SHIFT ASSIST (UL)	1	W/TRANSOM(X)
1-2	25111-93J10	ROD, SHIFT ASSIST (XX)	1	W/TRANSOM(XX)
2	25131-93J00	YOKE, SHIFTER	1	
3	25232-96302	MAGNET, GEAR CASE	1	
4	09205-02006	SPRING PIN (2X12)	2	
5	25141-93J00	HOUSING, SHIFT ROD GUIDE	1	
6	25223-94400	COVER, CLUTCH ROD	1	
7	09282-08005	OIL SEAL (8X22X7)	1	
8	25321-93J00	SLIDER, SHIFT HORIZONTAL	1	
9	29116-93J00	BOLT, SHIFT ROD HOUSING	2	
10	09160-08151	WASHER (8.5X26X1.6)	1	
11	09280-60007	O RING (D:3.5, ID:59.6)	1	

FIG.85

FIG.85 (1-J-10) CLUTCH ROD (DF250ST E03)

REF NO.	PART NO.	DESCRIPTION	Q'TY	REMARKS
1	25111-98J00	ROD, SHIFT (X)	1	
2	25131-98J00	YOKE, SHIFTER	1	
3	25232-90J00	MAGNET, GEAR CASE	1	
4	09205-04002	SPRING PIN (4X20)	2	
5	25141-98J00	HOUSING, SHIFT ROD GUIDE	1	
6	25222-90J00	COVER, CLUTCH ROD	1	
7	09283-10011	OIL SEAL (10X22X8)	1	
8	25321-98J00	SLIDER, SHIFT HORIZONTAL	1	
9	29116-93J00	BOLT, SHIFT ROD HOUSING	2	
10	09280-40016	O RING (D:3.5,ID:39.7)	1	

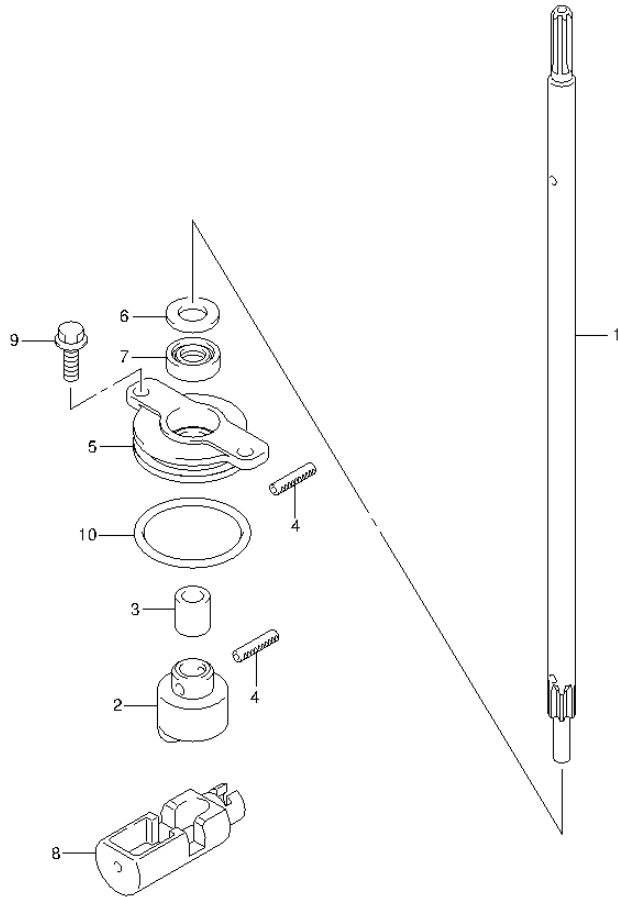


FIG.86

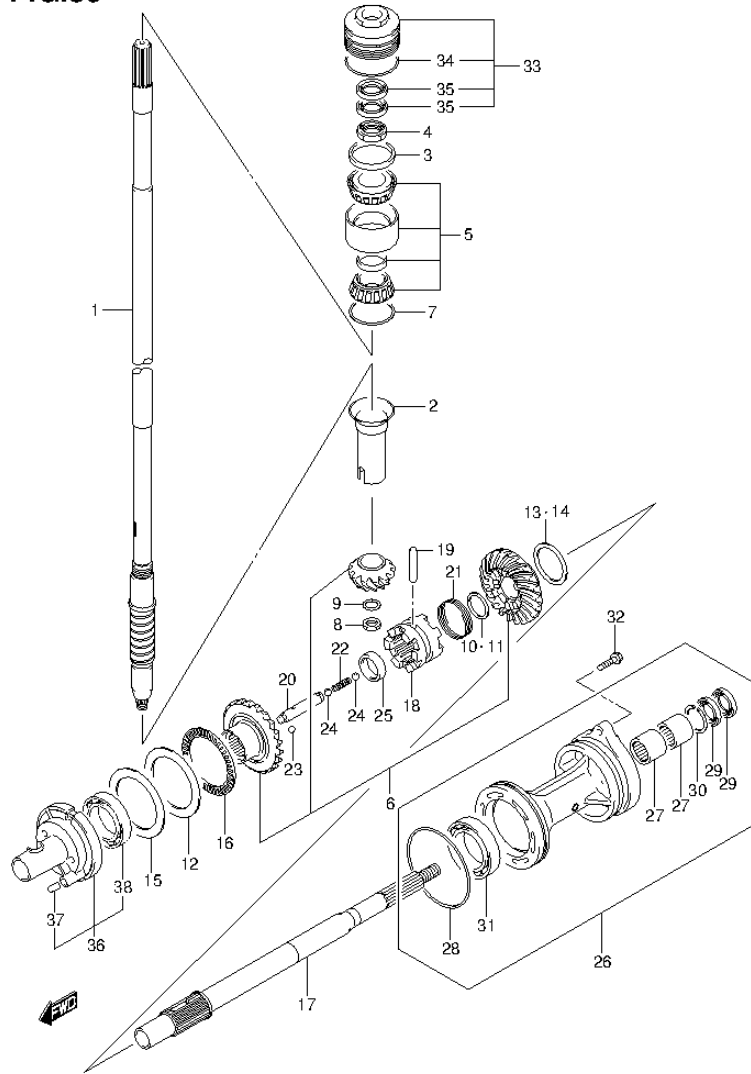


FIG.86 (1-J-11) TRANSMISSION (DF250T E03)

REF NO.	PART NO.	DESCRIPTION	Q'TY	REMARKS
1-1	57110-93J00	SHAFT, DRIVE (X)	1	W/TRANSOM(X)
1-2	57110-96J20	SHAFT, DRIVE (L)	1	W/TRANSOM(L)
2	57133-93J00	COLLAR, DRIVE SHAFT	1	
3	57134-93J00	SPACER, DRIVE SHAFT BEARING	1	
4	09159-28003	NUT	1	
5	09269-32001	BEARING (32X66X49)	1	
6	57300-93841	PINION/GEAR SET	1	
7-1	09181-60004	SHIM (60X66X0.45)	1	
7-2	09181-60005	SHIM (60X66X0.5)	1	
7-3	09181-60006	SHIM (60X66X0.55)	1	
7-4	09181-60007	SHIM (60X66X0.6)	1	
7-5	09181-60008	SHIM (60X66X0.65)	1	
7-6	09181-60009	SHIM (60X66X0.7)	1	
7-7	09181-60010	SHIM (60X66X0.75)	1	
7-8	09181-60011	SHIM (60X66X0.8)	1	
7-9	09181-60012	SHIM (60X66X0.85)	1	
7-10	09181-60013	SHIM (60X66X0.9)	1	
8	09140-16021	NUT	1	
9	08221-16256	WASHER	1	
10	57500-87861	SHIM SET, PROP SHAFT REV	1	
11-1	08211-30382	.WASHER (30X38X1.5)	1	
11-2	09160-30036	.WASHER (30X38X1.7)	1	
11-3	09160-30037	.WASHER (30X38X1.9)	1	
11-4	09160-30038	.WASHER (30X38X2.1)	1	
11-5	08211-30384	.WASHER (30X38X2.2)	1	
11-6	09160-30039	.WASHER (30X38X2.3)	1	
11-7	09160-30041	.WASHER (30X38X2.4)	1	
11-8	08211-30385	.WASHER (30X38X2.5)	1	
11-9	09160-30042	.WASHER (30X38X2.6)	1	
11-10	09160-30043	.WASHER (30X38X2.7)	1	
11-11	09160-30044	.WASHER (30X38X2.8)	1	
12	09160-75002	WASHER (75X100X2)	1	FWD GEAR
13	57500-87852	SHIM SET, REV GEAR	1	
14-1	09181-50013	.SHIM (50X62X1)	1	REV GEAR

FIG.86

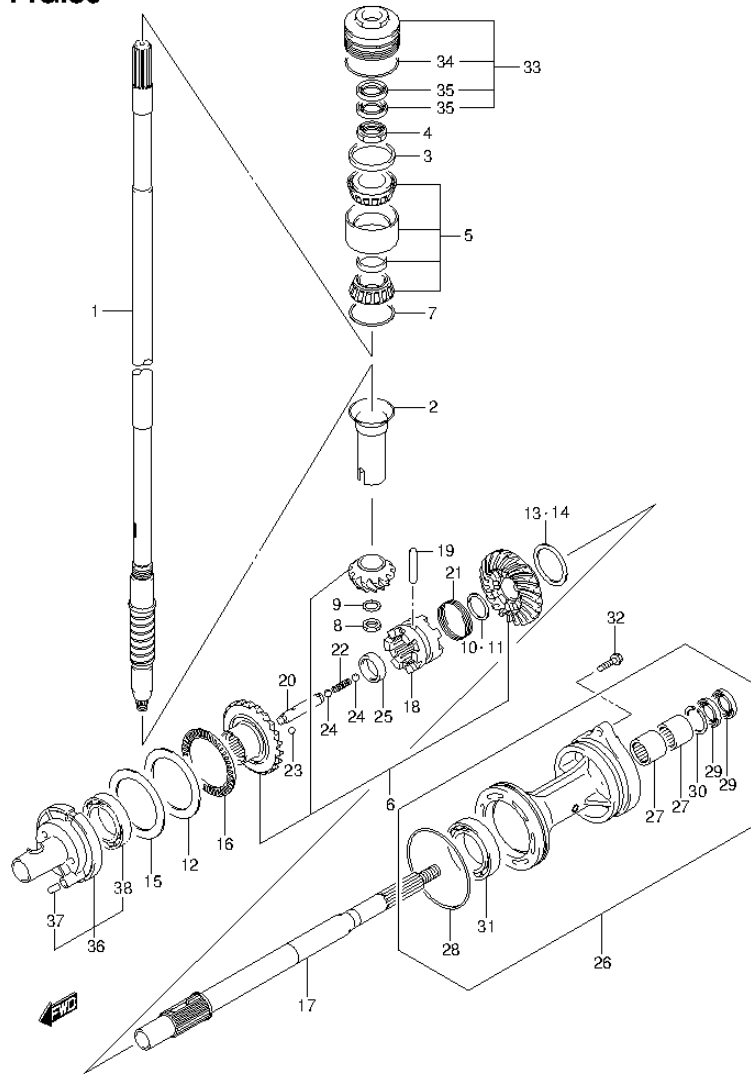


FIG.86 (1-J-12) TRANSMISSION (DF200T E03)

REF NO.	PART NO.	DESCRIPTION	Q'TY	REMARKS
14-2	09181-50012	.SHIM (50X62X1.1)	1	REV GEAR
14-3	09181-50005	.SHIM (50X62X1.2)	1	REV GEAR
14-4	09181-50006	.SHIM (50X62X1.3)	1	REV GEAR
14-5	09181-50007	.SHIM (50X62X1.4)	1	REV GEAR
14-6	09181-50008	.SHIM (50X62X1.5)	1	REV GEAR
14-7	09181-50009	.SHIM (50X62X1.6)	1	REV GEAR
14-8	09181-50010	.SHIM (50X62X1.7)	1	REV GEAR
15-1	09181-75018	SHIM (75X100X0.5)	1	FWD GEAR
15-2	09181-75019	SHIM (75X100X0.55)	1	FWD GEAR
15-3	09181-75012	SHIM (75X100X0.6)	1	FWD GEAR
15-4	09181-75013	SHIM (75X100X0.65)	1	FWD GEAR
15-5	09181-75008	SHIM (75X100X0.7)	1	FWD GEAR
15-6	09181-75014	SHIM (75X100X0.75)	1	FWD GEAR
15-7	09181-75009	SHIM (75X100X0.8)	1	FWD GEAR
15-8	09181-75015	SHIM (75X100X0.85)	1	FWD GEAR
15-9	09181-75010	SHIM (75X100X0.9)	1	FWD GEAR
15-10	09181-75016	SHIM (75X100X0.95)	1	FWD GEAR
15-11	09181-75011	SHIM (75X100X1)	1	FWD GEAR
16	09269-75002	BEARING (75X100X4)	1	
17	57610-93J00	SHAFT, PROPELLER	1	
18	57621-93J10	SHIFTER, CLUTCH DOG	1	
19	09202-08007	PIN (8X49)	1	
20	57631-93J00	PIN, CONNECTOR	1	
21	09440-52003	SPRING	1	
22	09440-09040	SPRING	1	
23	06111-07004	BALL	2	
24	06111-11004	BALL	2	
25	09180-25082	SPACER (25X36.5X9.5)	1	
26	56120-93J03-0EP	HOUSING, PROP SFT BRG (BLACK)	1	
27	09263-30023	.BEARING (30X40X25)	2	
28	09280-00040	.O RING (D:3.1,ID:104.4)	1	
29	09282-30006	.OIL SEAL (30X45X6)	2	
30	09381-40003	.CIRCLIP	1	
31	08113-60100	.BEARING	1	

FIG.86

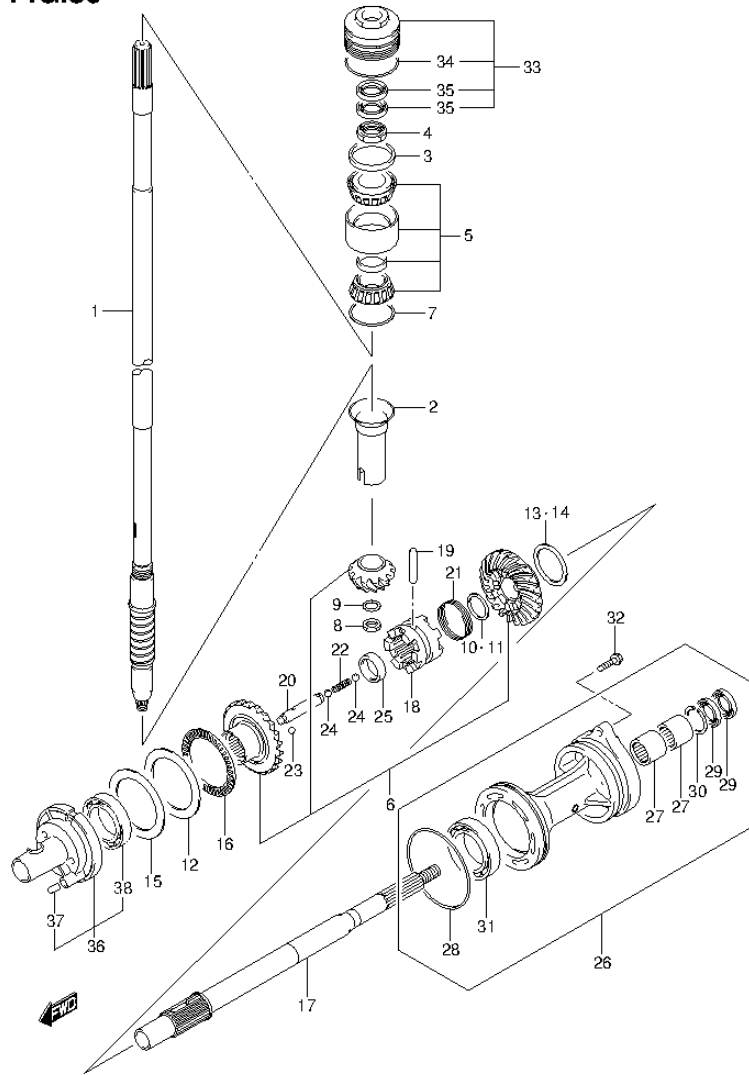


FIG.86 (1-J-13) TRANSMISSION (DF200T E03)

REF NO.	PART NO.	DESCRIPTION	Q'TY	REMARKS
32	09116-08158	BOLT (8X35)	2	
33	56130-93J01	HOUSING, DRIVE SHAFT BRG	1	
34	09280-66004	.O RING (D:3.1,ID:65.4)	1	
35	09282-24004	.OIL SEAL (24X40X7)	2	
36	56140-93J01	HOUSING, FWD GEAR BRG	1	
37	04221-08129	.PIN	1	
38	09263-50009	.BEARING (50X65X25)	1	

FIG.87

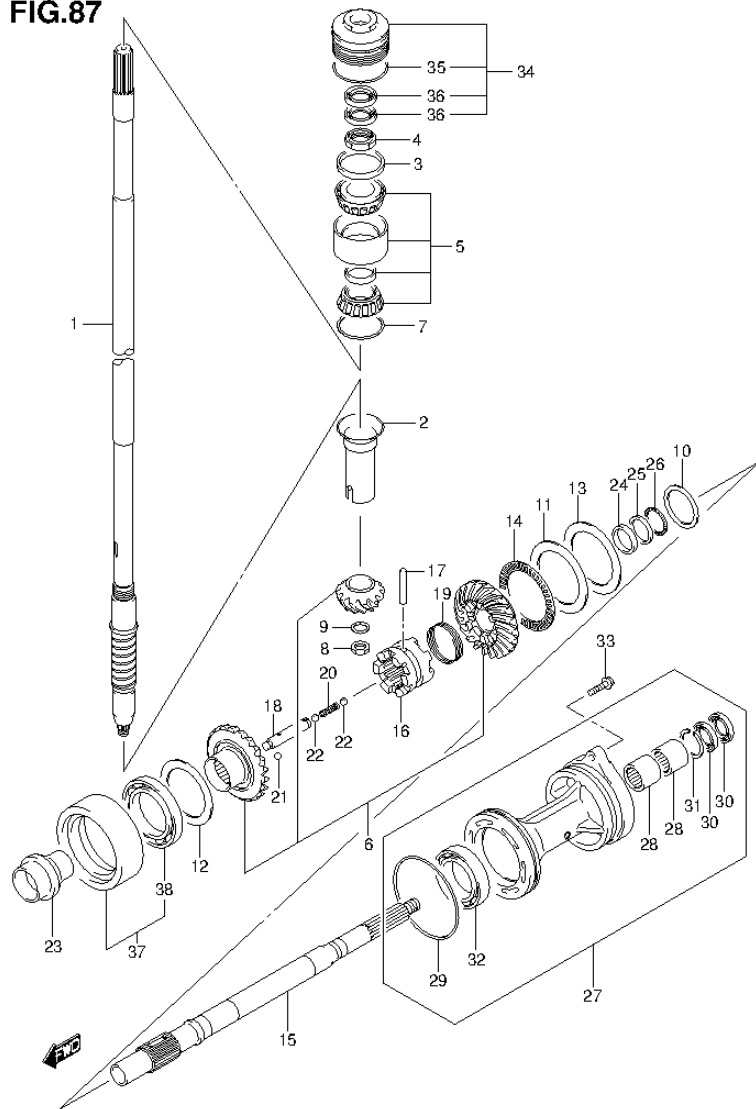
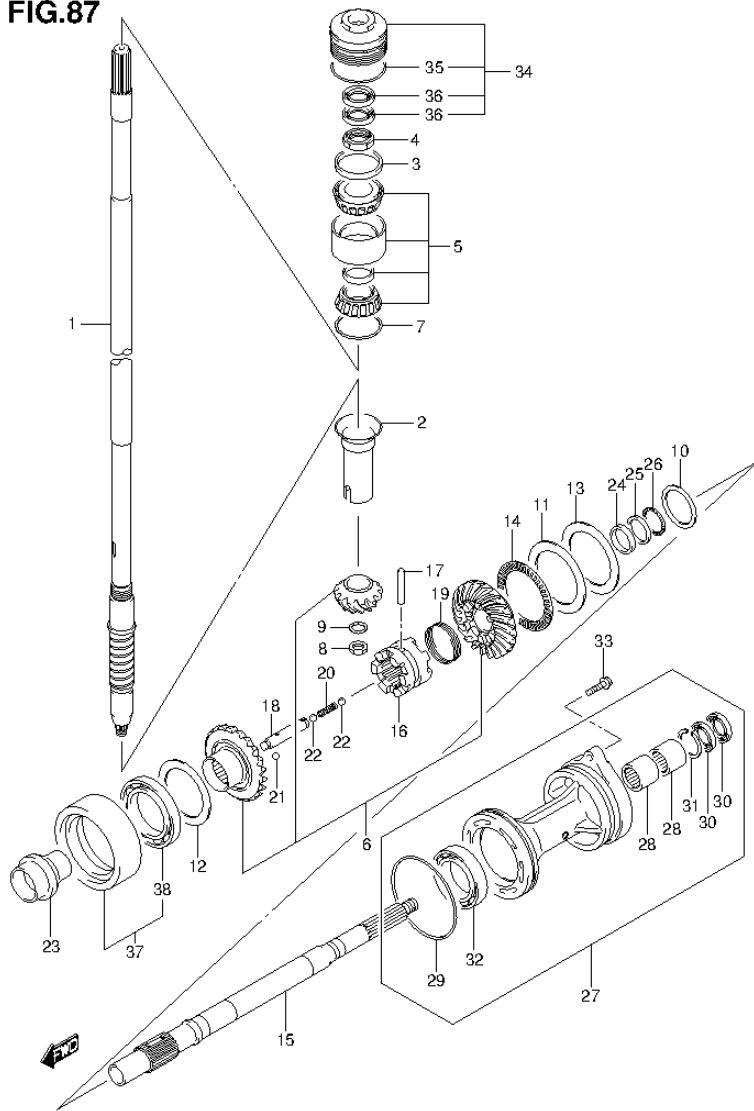


FIG.87 (1-J-14) TRANSMISSION (DF200Z E03)

REF NO.	PART NO.	DESCRIPTION	Q'TY	REMARKS
1	57110-93J00	SHAFT, DRIVE (X)	1	
2	57133-93J00	COLLAR, DRIVE SHAFT	1	
3	57134-93J00	SPACER, DRIVE SHAFT BEARING	1	
4	09159-28003	NUT	1	
5	09269-32001	BEARING (32X66X49)	1	
6	57300-93852	PINION/GEAR SET	1	
7-1	09181-60004	SHIM (60X66X0.45)	1	
7-2	09181-60005	SHIM (60X66X0.5)	1	
7-3	09181-60006	SHIM (60X66X0.55)	1	
7-4	09181-60007	SHIM (60X66X0.6)	1	
7-5	09181-60008	SHIM (60X66X0.65)	1	
7-6	09181-60009	SHIM (60X66X0.7)	1	
7-7	09181-60010	SHIM (60X66X0.75)	1	
7-8	09181-60011	SHIM (60X66X0.8)	1	
7-9	09181-60012	SHIM (60X66X0.85)	1	
7-10	09181-60013	SHIM (60X66X0.9)	1	
8	09140-16021	NUT	1	
9	08221-16256	WASHER	1	
10-1	09160-35015	WASHER (35X46X0.6)	1	
10-2	09160-35013	WASHER (35X46X0.8)	1	
10-3	09160-35010	WASHER (35X46X1.15)	1	
10-4	09160-35004	WASHER (35X46X1.2)	1	
10-5	09160-35006	WASHER (35X46X0.9)	1	
10-6	09160-35002	WASHER (35X46X1)	1	
10-7	09160-35008	WASHER (35X46X0.95)	1	
10-8	09160-35003	WASHER (35X46X1.1)	1	
10-9	09160-35009	WASHER (35X46X1.05)	1	
11	09160-75002	WASHER (75X100X2)	1	FWD GEAR
12-1	09181-60004	SHIM (60X66X0.45)	1	REV GEAR
12-2	09181-60005	SHIM (60X66X0.5)	1	REV GEAR
12-3	09181-60006	SHIM (60X66X0.55)	1	REV GEAR
12-4	09181-60007	SHIM (60X66X0.6)	1	REV GEAR
12-5	09181-60008	SHIM (60X66X0.65)	1	REV GEAR
12-6	09181-60009	SHIM (60X66X0.7)	1	REV GEAR

FIG.87



DF250 E03 012_087
TRANSMISSION

FIG.87 (1-J-15) TRANSMISSION (DF200Z E03)

REF NO.	PART NO.	DESCRIPTION	Q'TY	REMARKS
12-7	09181-60010	SHIM (60X66X0.75)	1	REV GEAR
12-8	09181-60011	SHIM (60X66X0.8)	1	REV GEAR
12-9	09181-60012	SHIM (60X66X0.85)	1	REV GEAR
12-10	09181-60013	SHIM (60X66X0.9)	1	REV GEAR
13-1	09181-75018	SHIM (75X100X0.5)	1	FWD GEAR
13-2	09181-75019	SHIM (75X100X0.55)	1	FWD GEAR
13-3	09181-75012	SHIM (75X100X0.6)	1	FWD GEAR
13-4	09181-75013	SHIM (75X100X0.65)	1	FWD GEAR
13-5	09181-75008	SHIM (75X100X0.7)	1	FWD GEAR
13-6	09181-75014	SHIM (75X100X0.75)	1	FWD GEAR
13-7	09181-75009	SHIM (75X100X0.8)	1	FWD GEAR
13-8	09181-75015	SHIM (75X100X0.85)	1	FWD GEAR
13-9	09181-75010	SHIM (75X100X0.9)	1	FWD GEAR
13-10	09181-75016	SHIM (75X100X0.95)	1	FWD GEAR
13-11	09181-75011	SHIM (75X100X1)	1	FWD GEAR
14	09269-75002	BEARING (75X100X4)	1	FWD GEAR
15	57610-93J20	SHAFT, PROPELLER	1	
16	57621-93J20	SHIFTER, CLUTCH DOG	1	
17	09202-08007	PIN (8X49)	1	
18	57631-93J00	PIN, CONNECTOR	1	
19	09440-52003	SPRING	1	
20	09440-09040	SPRING	1	
21	06111-07004	BALL	2	
22	06111-11004	BALL	2	
23	57622-93J00	SPACER, FWD THRUST	1	
24	09160-30055	WASHER (30X47X6)	1	
25	09160-30056	WASHER (32X47X3)	1	
26	09269-30014	BEARING (30X47X2)	1	
27	56120-93J13-0EP	HOUSING, PROP SFT BRG (BLACK)	1	
28	09263-30023	BEARING (30X40X25)	2	
29	09280-00040	.O RING (D:3.1,ID:104.4)	1	
30	09282-30006	.OIL SEAL (30X45X6)	2	
31	09381-40003	.CIRCLIP	1	
32	09263-50009	BEARING (50X65X25)	1	

DF250 E03 012

FIG.87

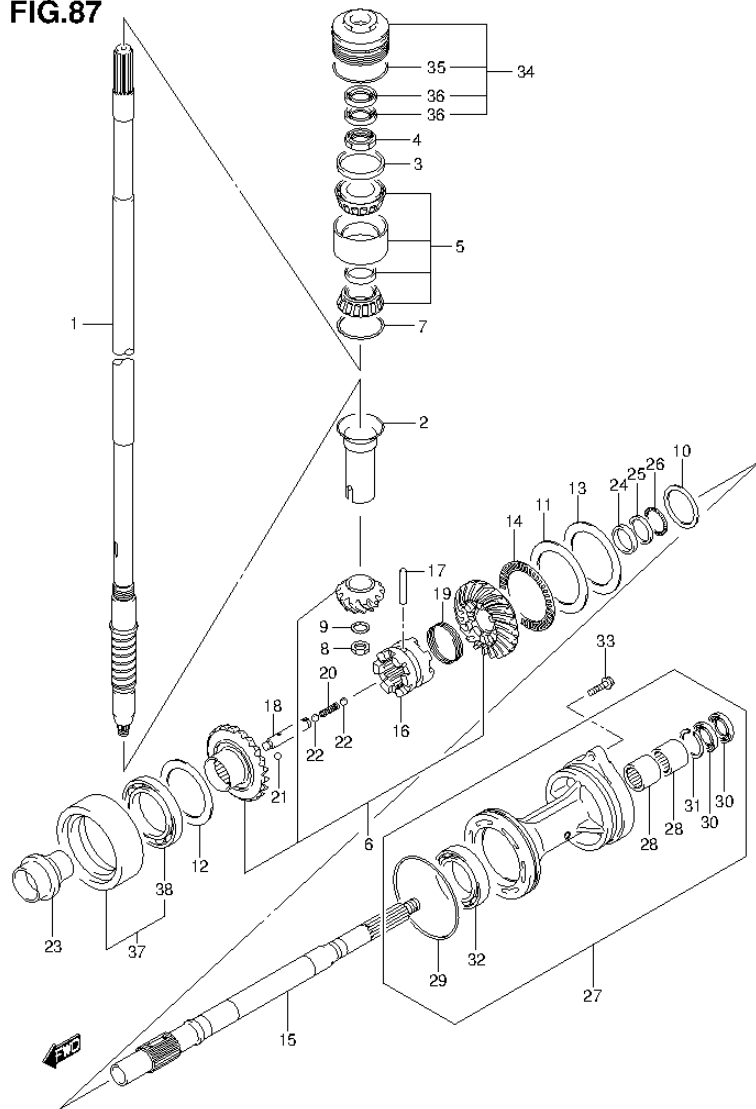


FIG.87 (1-K-2) TRANSMISSION (DF200Z E03)

REF NO.	PART NO.	DESCRIPTION	Q'TY	REMARKS
33	09116-08158	BOLT (8X35)	2	
34	56130-93J01	HOUSING, DRIVE SHAFT BRG	1	
35	09280-66004	.O RING (D:3.1,ID:65.4)	1	
36	09282-24004	.OIL SEAL (24X40X7)	2	
37	56140-93J10	HOUSING, REV GEAR BRG	1	
38	09262-60002	.BEARING (60X85X13)	1	

FIG.88

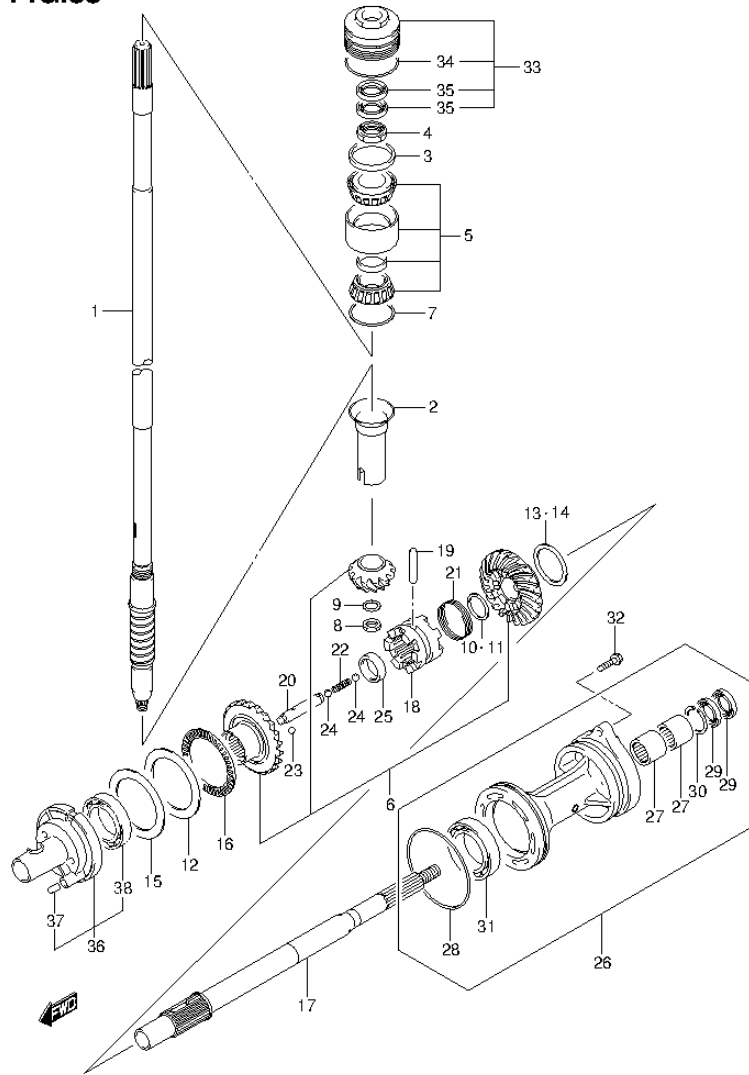


FIG.88 (1-K-3) TRANSMISSION (DF225T E03)

REF NO.	PART NO.	DESCRIPTION	Q'TY	REMARKS
1-1	57110-93J00	SHAFT, DRIVE (X)	1	W/TRANSOM(X)
1-2	57110-93J10	SHAFT, DRIVE (XX)	1	W/TRANSOM(XX)
2	57133-93J00	COLLAR, DRIVE SHAFT	1	
3	57134-93J00	SPACER, DRIVE SHAFT BEARING	1	
4	09159-28003	NUT	1	
5	09269-32001	BEARING (32X66X49)	1	
6	57300-93841	PINION/GEAR SET	1	
7-1	09181-60004	SHIM (60X66X0.45)	1	
7-2	09181-60005	SHIM (60X66X0.5)	1	
7-3	09181-60006	SHIM (60X66X0.55)	1	
7-4	09181-60007	SHIM (60X66X0.6)	1	
7-5	09181-60008	SHIM (60X66X0.65)	1	
7-6	09181-60009	SHIM (60X66X0.7)	1	
7-7	09181-60010	SHIM (60X66X0.75)	1	
7-8	09181-60011	SHIM (60X66X0.8)	1	
7-9	09181-60012	SHIM (60X66X0.85)	1	
7-10	09181-60013	SHIM (60X66X0.9)	1	
8	09140-16021	NUT	1	
9	08221-16256	WASHER	1	
10	57500-87861	SHIM SET, PROP SHAFT REV	1	
11-1	08211-30382	.WASHER (30X38X1.5)	1	
11-2	09160-30036	.WASHER (30X38X1.7)	1	
11-3	09160-30037	.WASHER (30X38X1.9)	1	
11-4	09160-30038	.WASHER (30X38X2.1)	1	
11-5	08211-30384	.WASHER (30X38X2.2)	1	
11-6	09160-30039	.WASHER (30X38X2.3)	1	
11-7	09160-30041	.WASHER (30X38X2.4)	1	
11-8	08211-30385	.WASHER (30X38X2.5)	1	
11-9	09160-30042	.WASHER (30X38X2.6)	1	
11-10	09160-30043	.WASHER (30X38X2.7)	1	
11-11	09160-30044	.WASHER (30X38X2.8)	1	
12	09160-75002	WASHER (75X100X2)	1	FWD GEAR
13	57500-87852	SHIM SET, REV GEAR	1	
14-1	09181-50013	.SHIM (50X62X1)	1	REV GEAR

FIG.88

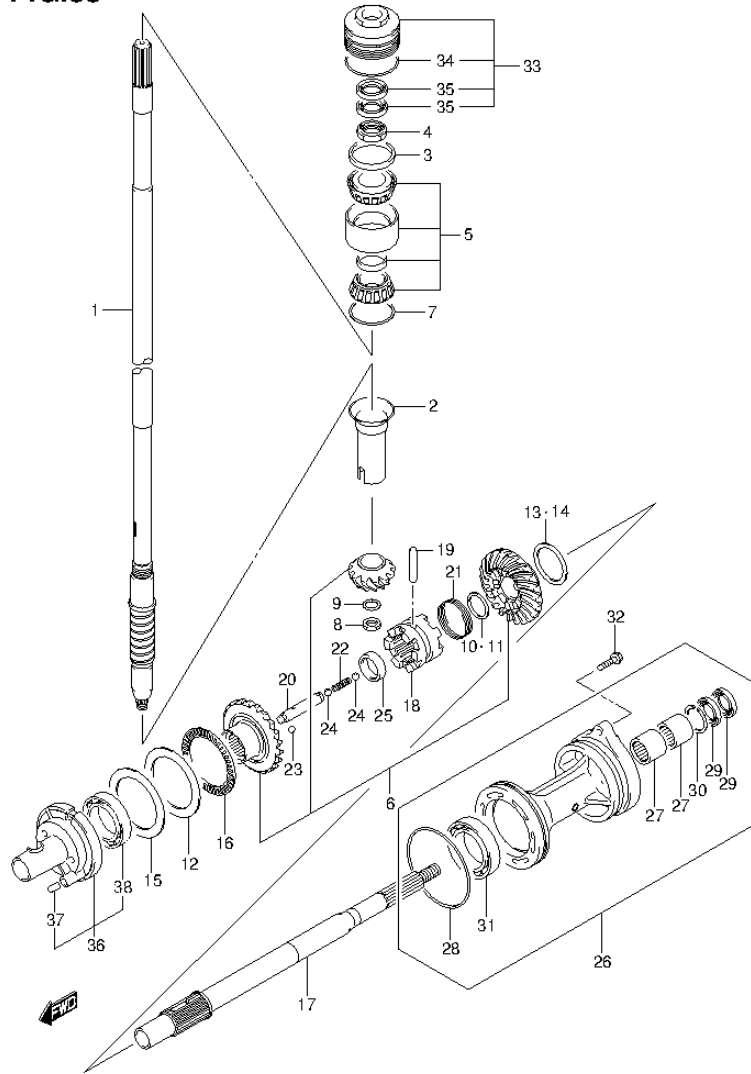


FIG.88 (1-K-4) TRANSMISSION (DF225T E03)

REF NO.	PART NO.	DESCRIPTION	Q'TY	REMARKS
14-2	09181-50012	.SHIM (50X62X1.1)	1	REV GEAR
14-3	09181-50005	.SHIM (50X62X1.2)	1	REV GEAR
14-4	09181-50006	.SHIM (50X62X1.3)	1	REV GEAR
14-5	09181-50007	.SHIM (50X62X1.4)	1	REV GEAR
14-6	09181-50008	.SHIM (50X62X1.5)	1	REV GEAR
14-7	09181-50009	.SHIM (50X62X1.6)	1	REV GEAR
14-8	09181-50010	.SHIM (50X62X1.7)	1	REV GEAR
15-1	09181-75018	SHIM (75X100X0.5)	1	FWD GEAR
15-2	09181-75019	SHIM (75X100X0.55)	1	FWD GEAR
15-3	09181-75012	SHIM (75X100X0.6)	1	FWD GEAR
15-4	09181-75013	SHIM (75X100X0.65)	1	FWD GEAR
15-5	09181-75008	SHIM (75X100X0.7)	1	FWD GEAR
15-6	09181-75014	SHIM (75X100X0.75)	1	FWD GEAR
15-7	09181-75009	SHIM (75X100X0.8)	1	FWD GEAR
15-8	09181-75015	SHIM (75X100X0.85)	1	FWD GEAR
15-9	09181-75010	SHIM (75X100X0.9)	1	FWD GEAR
15-10	09181-75016	SHIM (75X100X0.95)	1	FWD GEAR
15-11	09181-75011	SHIM (75X100X1)	1	FWD GEAR
16	09269-75002	BEARING (75X100X4)	1	
17	57610-93J00	SHAFT, PROPELLER	1	
18	57621-93J10	SHIFTER, CLUTCH DOG	1	
19	09202-08007	PIN (8X49)	1	
20	57631-93J00	PIN, CONNECTOR	1	
21	09440-52003	SPRING	1	
22	09440-09040	SPRING	1	
23	06111-07004	BALL	2	
24	06111-11004	BALL	2	
25	09180-25082	SPACER (25X36.5X9.5)	1	
26	56120-93J03-0EP	HOUSING, PROP SFT BRG (BLACK)	1	
27	09263-30023	.BEARING (30X40X25)	2	
28	09280-00040	.O RING (D:3.1,ID:104.4)	1	
29	09282-30006	.OIL SEAL (30X45X6)	2	
30	09381-40003	.CIRCLIP	1	
31	08113-60100	.BEARING	1	

FIG.88

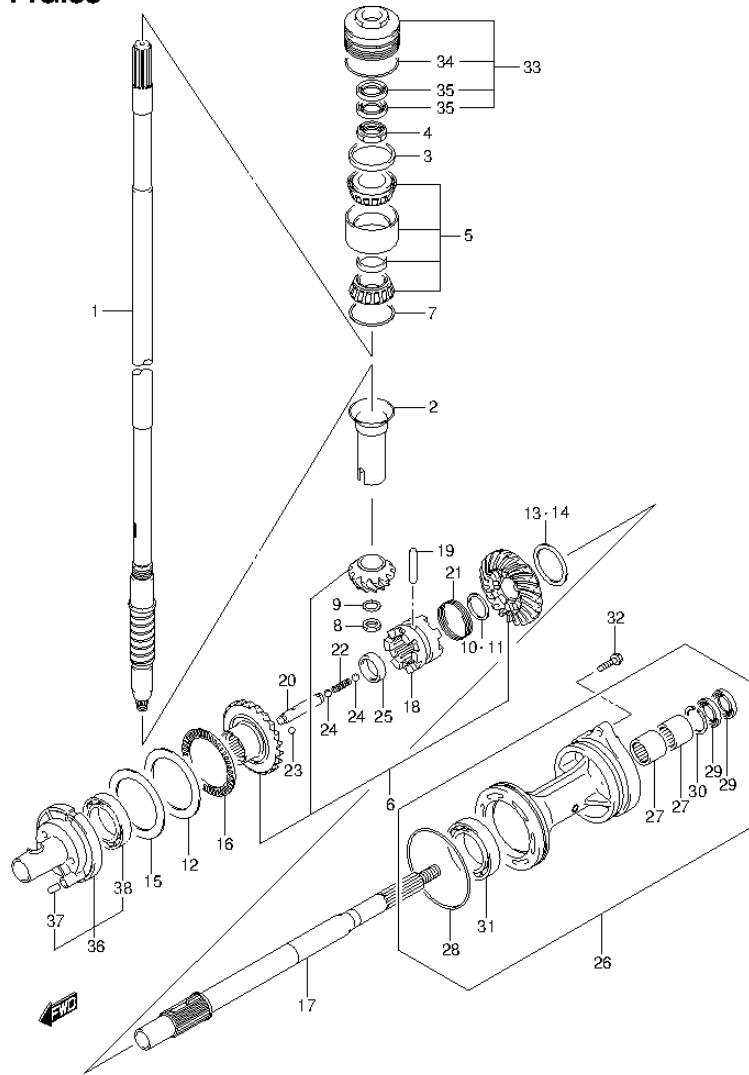


FIG.88 (1-K-5) TRANSMISSION (DF225T E03)

REF NO.	PART NO.	DESCRIPTION	Q'TY	REMARKS
32	09116-08158	BOLT (8X35)	2	
33	56130-93J01	HOUSING, DRIVE SHAFT BRG	1	
34	09280-66004	.O RING (D:3.1,ID:65.4)	1	
35	09282-24004	.OIL SEAL (24X40X7)	2	
36	56140-93J01	HOUSING, FWD GEAR BRG	1	
37	04221-08129	.PIN	1	
38	09263-50009	.BEARING (50X65X25)	1	

FIG.89

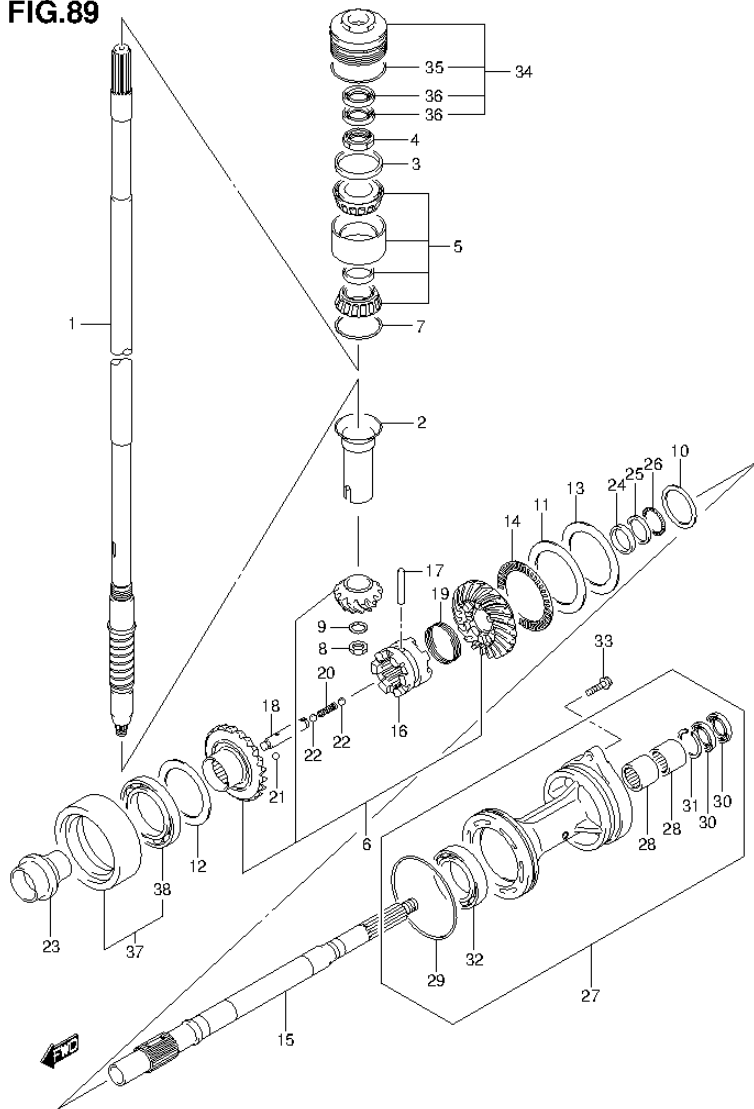


FIG.89 (1-K-6) TRANSMISSION (DF225Z E03)

REF NO.	PART NO.	DESCRIPTION	Q'TY	REMARKS
1-1	57110-93J00	SHAFT, DRIVE (X)	1	W/TRANSOM(X)
1-2	57110-93J10	SHAFT, DRIVE (XX)	1	W/TRANSOM(XX)
2	57133-93J00	COLLAR, DRIVE SHAFT	1	
3	57134-93J00	SPACER, DRIVE SHAFT BEARING	1	
4	09159-28003	NUT	1	
5	09269-32001	BEARING (32X66X49)	1	
6	57300-93852	PINION/GEAR SET	1	
7-1	09181-60004	SHIM (60X66X0.45)	1	
7-2	09181-60005	SHIM (60X66X0.5)	1	
7-3	09181-60006	SHIM (60X66X0.55)	1	
7-4	09181-60007	SHIM (60X66X0.6)	1	
7-5	09181-60008	SHIM (60X66X0.65)	1	
7-6	09181-60009	SHIM (60X66X0.7)	1	
7-7	09181-60010	SHIM (60X66X0.75)	1	
7-8	09181-60011	SHIM (60X66X0.8)	1	
7-9	09181-60012	SHIM (60X66X0.85)	1	
7-10	09181-60013	SHIM (60X66X0.9)	1	
8	09140-16021	NUT	1	
9	08221-16256	WASHER	1	
10-1	09160-35015	WASHER (35X46X0.6)	1	
10-2	09160-35013	WASHER (35X46X0.8)	1	
10-3	09160-35010	WASHER (35X46X1.15)	1	
10-4	09160-35004	WASHER (35X46X1.2)	1	
10-5	09160-35006	WASHER (35X46X0.9)	1	
10-6	09160-35002	WASHER (35X46X1)	1	
10-7	09160-35008	WASHER (35X46X0.95)	1	
10-8	09160-35003	WASHER (35X46X1.1)	1	
10-9	09160-35009	WASHER (35X46X1.05)	1	
11	09160-75002	WASHER (75X100X2)	1	FWD GEAR
12-1	09181-60004	SHIM (60X66X0.45)	1	REV GEAR
12-2	09181-60005	SHIM (60X66X0.5)	1	REV GEAR
12-3	09181-60006	SHIM (60X66X0.55)	1	REV GEAR
12-4	09181-60007	SHIM (60X66X0.6)	1	REV GEAR
12-5	09181-60008	SHIM (60X66X0.65)	1	REV GEAR

FIG.89

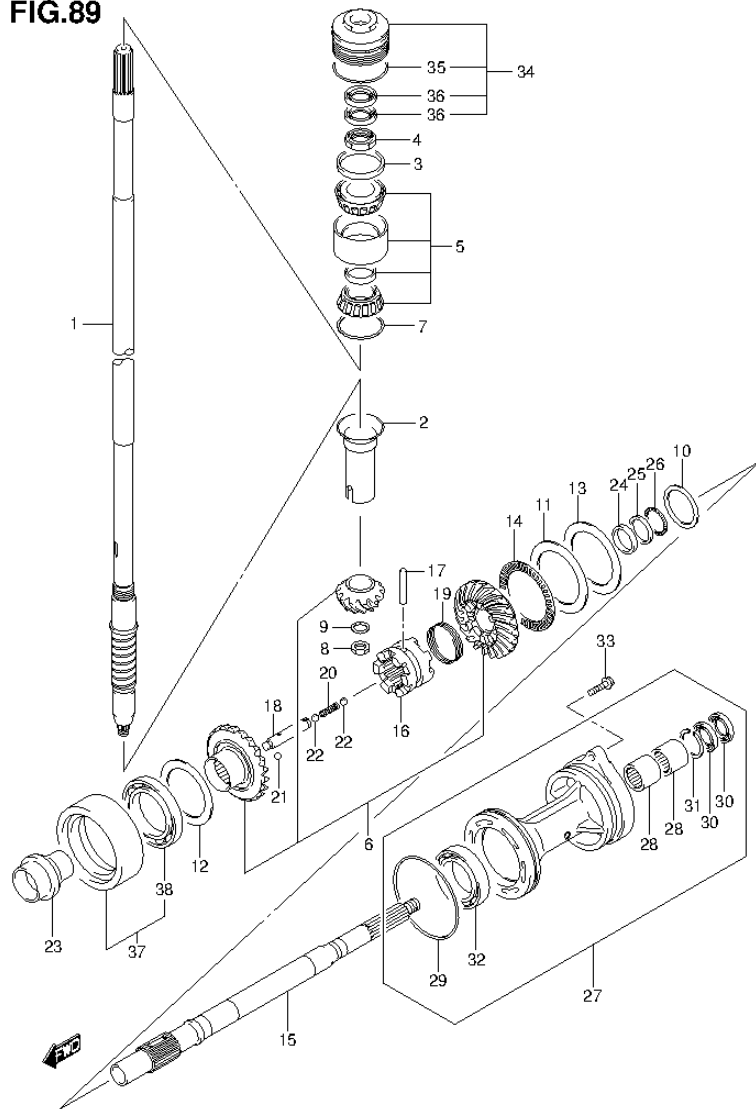


FIG.89 (1-K-7) TRANSMISSION (DF225Z E03)

REF NO.	PART NO.	DESCRIPTION	Q'TY	REMARKS
12-6	09181-60009	SHIM (60X66X0.7)	1	REV GEAR
12-7	09181-60010	SHIM (60X66X0.75)	1	REV GEAR
12-8	09181-60011	SHIM (60X66X0.8)	1	REV GEAR
12-9	09181-60012	SHIM (60X66X0.85)	1	REV GEAR
12-10	09181-60013	SHIM (60X66X0.9)	1	REV GEAR
13-1	09181-75018	SHIM (75X100X0.5)	1	FWD GEAR
13-2	09181-75019	SHIM (75X100X0.55)	1	FWD GEAR
13-3	09181-75012	SHIM (75X100X0.6)	1	FWD GEAR
13-4	09181-75013	SHIM (75X100X0.65)	1	FWD GEAR
13-5	09181-75008	SHIM (75X100X0.7)	1	FWD GEAR
13-6	09181-75014	SHIM (75X100X0.75)	1	FWD GEAR
13-7	09181-75009	SHIM (75X100X0.8)	1	FWD GEAR
13-8	09181-75015	SHIM (75X100X0.85)	1	FWD GEAR
13-9	09181-75010	SHIM (75X100X0.9)	1	FWD GEAR
13-10	09181-75016	SHIM (75X100X0.95)	1	FWD GEAR
13-11	09181-75011	SHIM (75X100X1)	1	FWD GEAR
14	09269-75002	BEARING (75X100X4)	1	FWD GEAR
15	57610-93J20	SHAFT, PROPELLER	1	
16	57621-93J20	SHIFTER, CLUTCH DOG	1	
17	09202-08007	PIN (8X49)	1	
18	57631-93J00	PIN, CONNECTOR	1	
19	09440-52003	SPRING	1	
20	09440-09040	SPRING	1	
21	06111-07004	BALL	2	
22	06111-11004	BALL	2	
23	57622-93J00	SPACER, FWD THRUST	1	
24	09160-30055	WASHER (30X47X6)	1	
25	09160-30056	WASHER (32X47X3)	1	
26	09269-30014	BEARING (30X47X2)	1	
27	56120-93J13-0EP	HOUSING, PROP SFT BRG (BLACK)	1	
28	09263-30023	.BEARING (30X40X25)	2	
29	09280-00040	.O RING (D:3.1,ID:104.4)	1	
30	09282-30006	.OIL SEAL (30X45X6)	2	
31	09381-40003	.CIRCLIP	1	

FIG.89

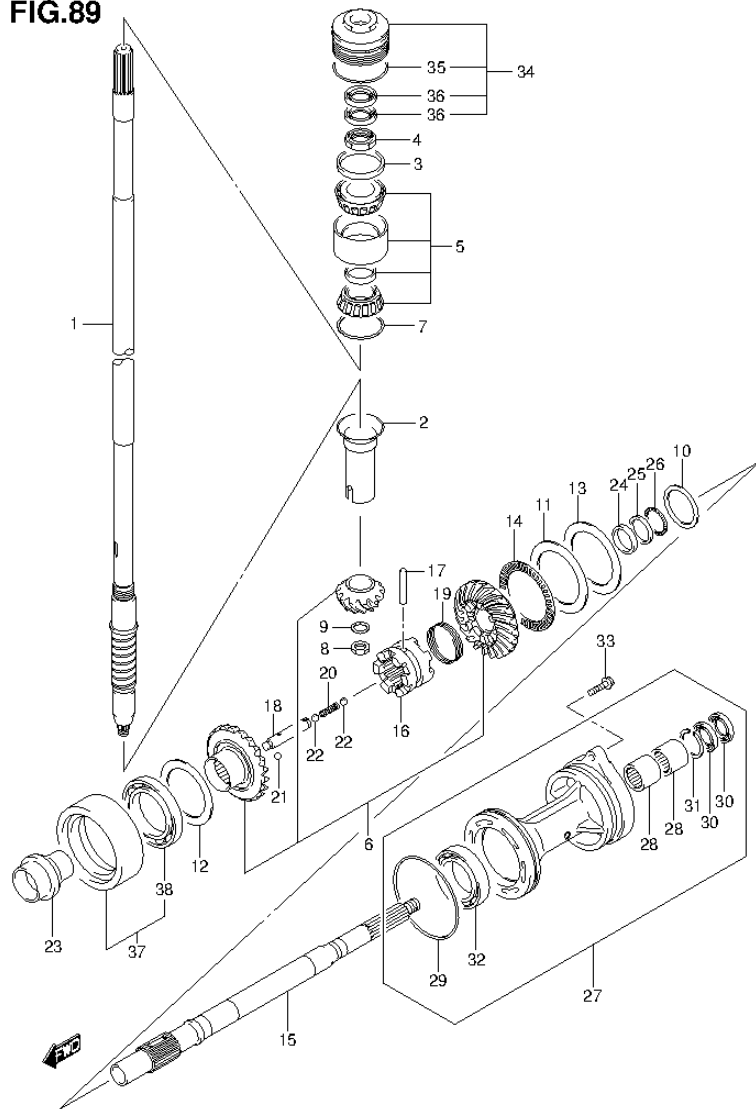


FIG.89 (1-K-8) TRANSMISSION (DF225Z E03)

REF NO.	PART NO.	DESCRIPTION	Q'TY	REMARKS
32	09263-50009	.BEARING (50X65X25)	1	
33	09116-08158	BOLT (8X35)	2	
34	56130-93J01	HOUSING, DRIVE SHAFT BRG	1	
35	09280-66004	.O RING (D:3.1,ID:65.4)	1	
36	09282-24004	.OIL SEAL (24X40X7)	2	
37	56140-93J10	HOUSING, REV GEAR BRG	1	
38	09262-60002	.BEARING (60X85X13)	1	

FIG.90

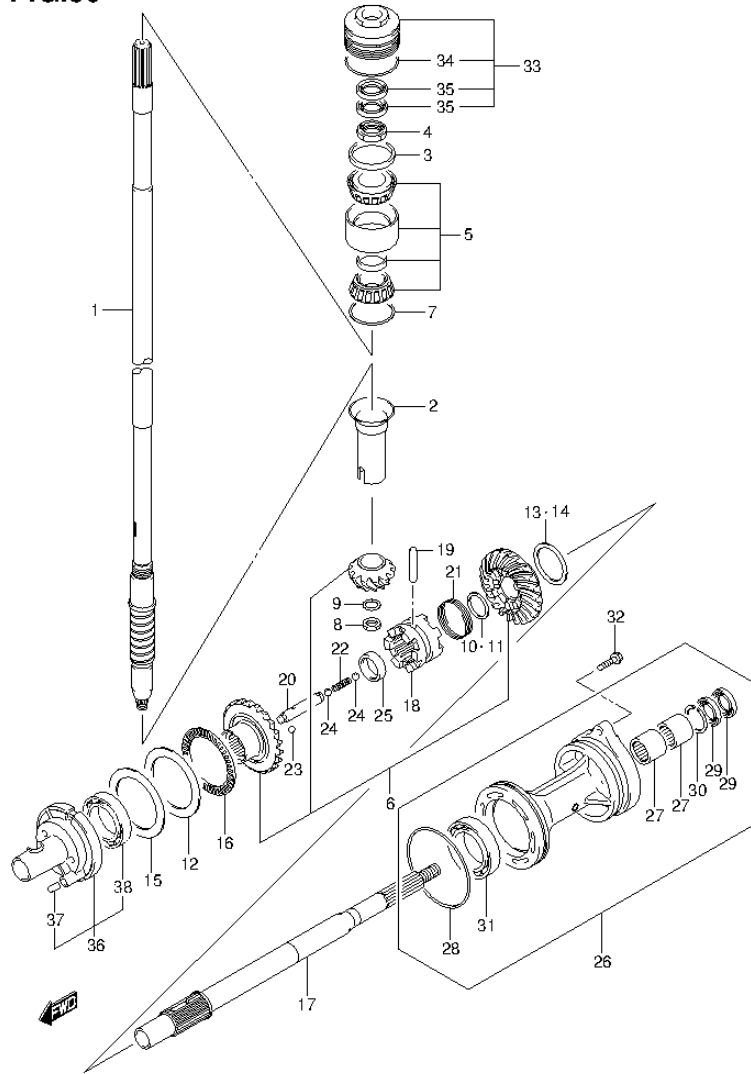


FIG.90 (1-K-9) TRANSMISSION (DF250T E03)

REF NO.	PART NO.	DESCRIPTION	Q'TY	REMARKS
1-1	57110-93J00	SHAFT, DRIVE (X)	1	W/TRANSOM(X)
1-2	57110-93J10	SHAFT, DRIVE (XX)	1	W/TRANSOM(XX)
2	57133-93J00	COLLAR, DRIVE SHAFT	1	
3	57134-93J00	SPACER, DRIVE SHAFT BEARING	1	
4	09159-28003	NUT	1	
5	09269-32001	BEARING (32X66X49)	1	
6	57300-93841	PINION/GEAR SET	1	
7-1	09181-60004	SHIM (60X66X0.45)	1	
7-2	09181-60005	SHIM (60X66X0.5)	1	
7-3	09181-60006	SHIM (60X66X0.55)	1	
7-4	09181-60007	SHIM (60X66X0.6)	1	
7-5	09181-60008	SHIM (60X66X0.65)	1	
7-6	09181-60009	SHIM (60X66X0.7)	1	
7-7	09181-60010	SHIM (60X66X0.75)	1	
7-8	09181-60011	SHIM (60X66X0.8)	1	
7-9	09181-60012	SHIM (60X66X0.85)	1	
7-10	09181-60013	SHIM (60X66X0.9)	1	
8	09140-16021	NUT	1	
9	08221-16256	WASHER	1	
10	57500-87861	SHIM SET, PROP SHAFT REV	1	
11-1	08211-30382	.WASHER (30X38X1.5)	1	
11-2	09160-30036	.WASHER (30X38X1.7)	1	
11-3	09160-30037	.WASHER (30X38X1.9)	1	
11-4	09160-30038	.WASHER (30X38X2.1)	1	
11-5	08211-30384	.WASHER (30X38X2.2)	1	
11-6	09160-30039	.WASHER (30X38X2.3)	1	
11-7	09160-30041	.WASHER (30X38X2.4)	1	
11-8	08211-30385	.WASHER (30X38X2.5)	1	
11-9	09160-30042	.WASHER (30X38X2.6)	1	
11-10	09160-30043	.WASHER (30X38X2.7)	1	
11-11	09160-30044	.WASHER (30X38X2.8)	1	
12	09160-75002	WASHER (75X100X2)	1	FWD GEAR
13	57500-87852	SHIM SET, REV GEAR	1	
14-1	09181-50013	.SHIM (50X62X1)	1	REV GEAR

FIG.90

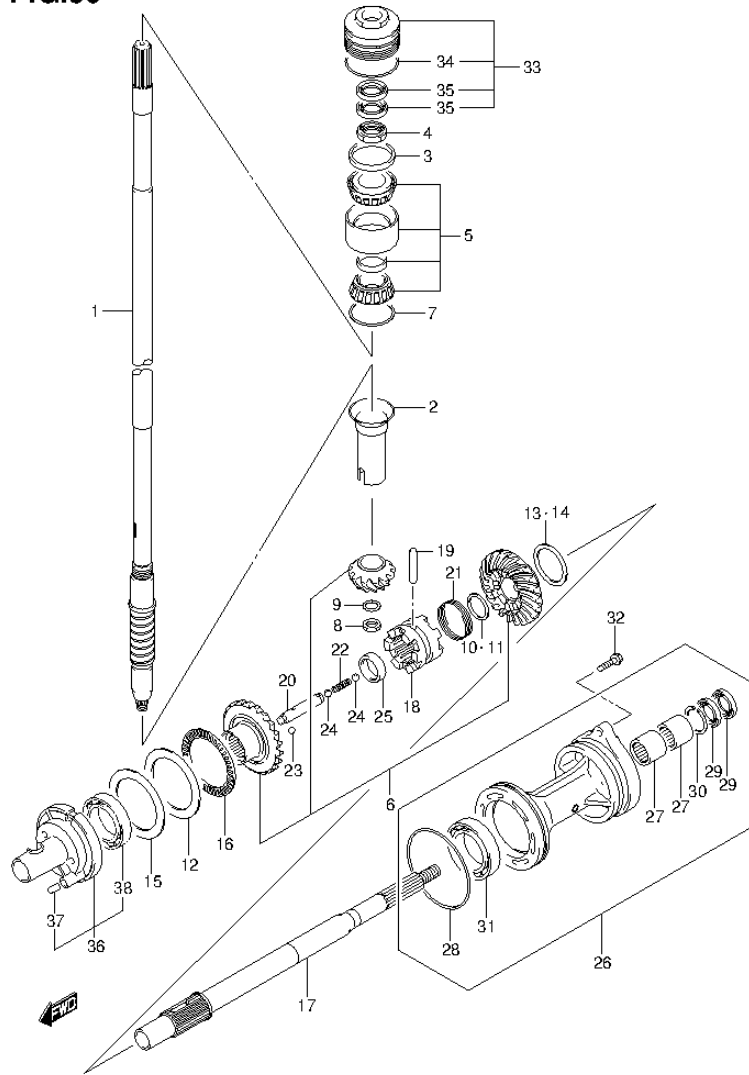


FIG.90 (1-K-10) TRANSMISSION (DF250T E03)

REF NO.	PART NO.	DESCRIPTION	Q'TY	REMARKS
14-2	09181-50012	.SHIM (50X62X1.1)	1	REV GEAR
14-3	09181-50005	.SHIM (50X62X1.2)	1	REV GEAR
14-4	09181-50006	.SHIM (50X62X1.3)	1	REV GEAR
14-5	09181-50007	.SHIM (50X62X1.4)	1	REV GEAR
14-6	09181-50008	.SHIM (50X62X1.5)	1	REV GEAR
14-7	09181-50009	.SHIM (50X62X1.6)	1	REV GEAR
14-8	09181-50010	.SHIM (50X62X1.7)	1	REV GEAR
15-1	09181-75018	SHIM (75X100X0.5)	1	FWD GEAR
15-2	09181-75019	SHIM (75X100X0.55)	1	FWD GEAR
15-3	09181-75012	SHIM (75X100X0.6)	1	FWD GEAR
15-4	09181-75013	SHIM (75X100X0.65)	1	FWD GEAR
15-5	09181-75008	SHIM (75X100X0.7)	1	FWD GEAR
15-6	09181-75014	SHIM (75X100X0.75)	1	FWD GEAR
15-7	09181-75009	SHIM (75X100X0.8)	1	FWD GEAR
15-8	09181-75015	SHIM (75X100X0.85)	1	FWD GEAR
15-9	09181-75010	SHIM (75X100X0.9)	1	FWD GEAR
15-10	09181-75016	SHIM (75X100X0.95)	1	FWD GEAR
15-11	09181-75011	SHIM (75X100X1)	1	FWD GEAR
16	09269-75002	BEARING (75X100X4)	1	
17	57610-93J00	SHAFT, PROPELLER	1	
18	57621-93J10	SHIFTER, CLUTCH DOG	1	
19	09202-08007	PIN (8X49)	1	
20	57631-93J00	PIN, CONNECTOR	1	
21	09440-52003	SPRING	1	
22	09440-09040	SPRING	1	
23	06111-07004	BALL	2	
24	06111-11004	BALL	2	
25	09180-25082	SPACER (25X36.5X9.5)	1	
26	56120-93J03-0EP	HOUSING, PROP SFT BRG (BLACK)	1	
27	09263-30023	.BEARING (30X40X25)	2	
28	09280-00040	.O RING (D:3.1,ID:104.4)	1	
29	09282-30006	.OIL SEAL (30X45X6)	2	
30	09381-40003	.CIRCLIP	1	
31	08113-60100	.BEARING	1	

FIG.90

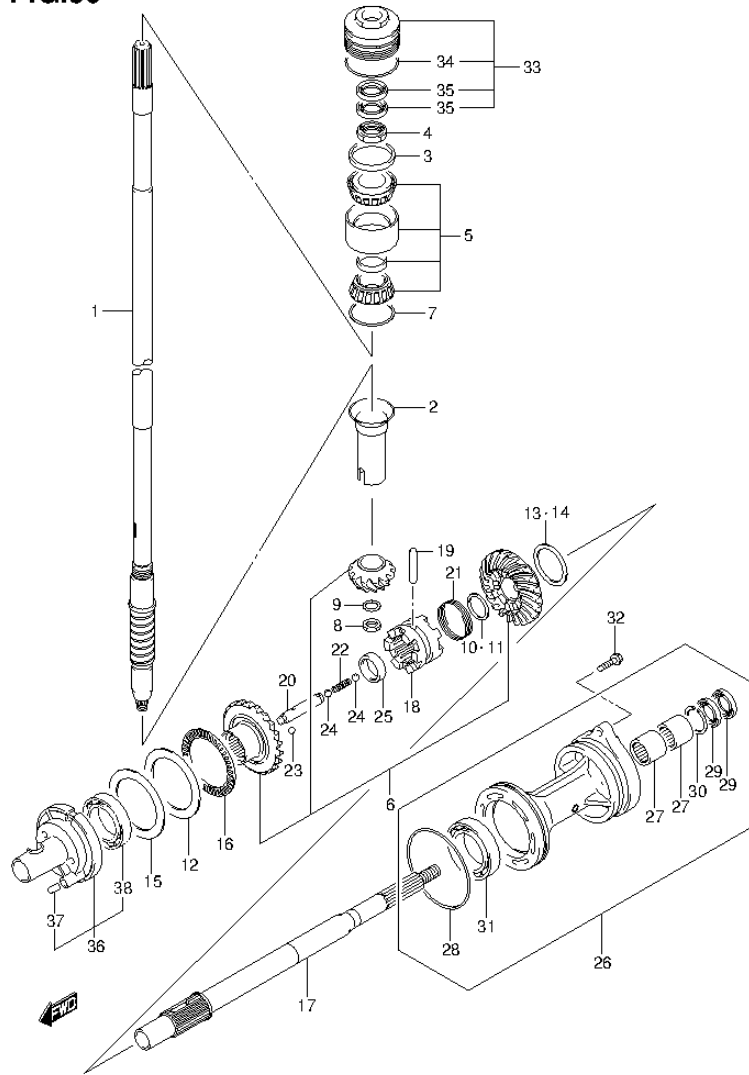
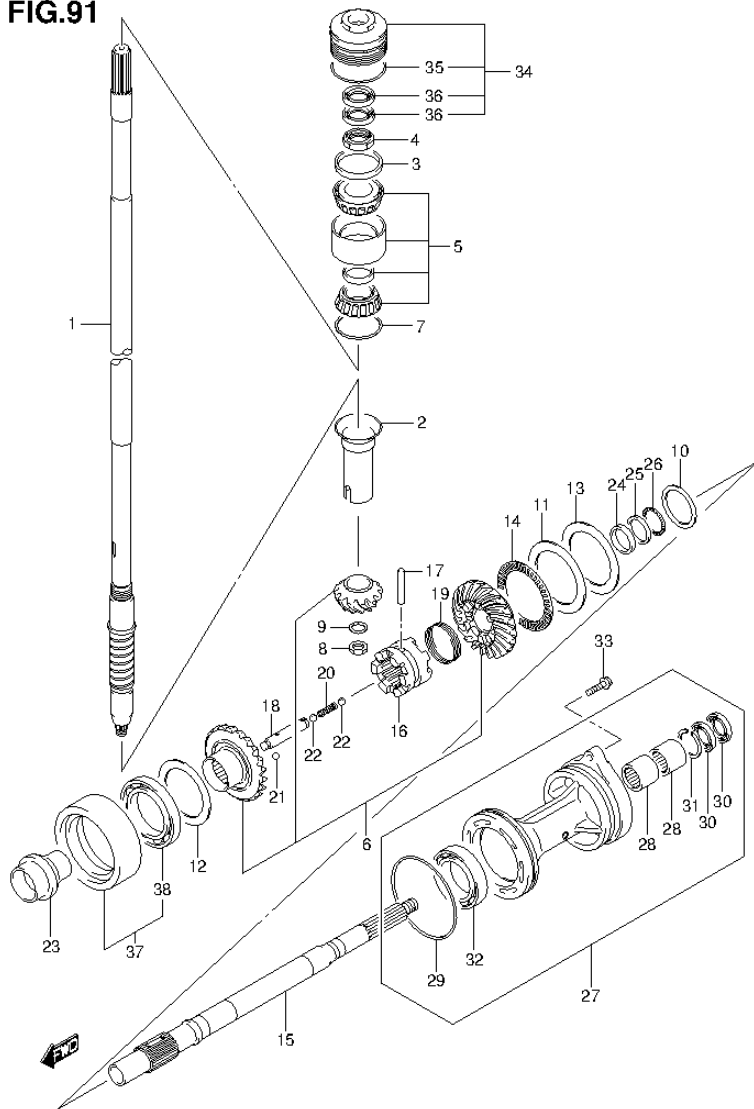


FIG.90 (1-K-11) TRANSMISSION (DF250T E03)

REF NO.	PART NO.	DESCRIPTION	Q'TY	REMARKS
32	09116-08158	BOLT (8X35)	2	
33	56130-93J01	HOUSING, DRIVE SHAFT BRG	1	
34	09280-66004	.O RING (D:3.1,ID:65.4)	1	
35	09282-24004	.OIL SEAL (24X40X7)	2	
36	56140-93J01	HOUSING, FWD GEAR BRG	1	
37	04221-08129	.PIN	1	
38	09263-50009	.BEARING (50X65X25)	1	

FIG.91



DF250 E03 012_091
TRANSMISSION

FIG.91 (1-K-12) TRANSMISSION (DF250Z E03)

REF NO.	PART NO.	DESCRIPTION	Q'TY	REMARKS
1-1	57110-93J00	SHAFT, DRIVE (X)	1	W/TRANSOM(X)
1-2	57110-93J10	SHAFT, DRIVE (XX)	1	W/TRANSOM(XX)
2	57133-93J00	COLLAR, DRIVE SHAFT	1	
3	57134-93J00	SPACER, DRIVE SHAFT BEARING	1	
4	09159-28003	NUT	1	
5	09269-32001	BEARING (32X66X49)	1	
6	57300-93852	PINION/GEAR SET	1	
7-1	09181-60004	SHIM (60X66X0.45)	1	
7-2	09181-60005	SHIM (60X66X0.5)	1	
7-3	09181-60006	SHIM (60X66X0.55)	1	
7-4	09181-60007	SHIM (60X66X0.6)	1	
7-5	09181-60008	SHIM (60X66X0.65)	1	
7-6	09181-60009	SHIM (60X66X0.7)	1	
7-7	09181-60010	SHIM (60X66X0.75)	1	
7-8	09181-60011	SHIM (60X66X0.8)	1	
7-9	09181-60012	SHIM (60X66X0.85)	1	
7-10	09181-60013	SHIM (60X66X0.9)	1	
8	09140-16021	NUT	1	
9	08221-16256	WASHER	1	
10-1	09160-35015	WASHER (35X46X0.6)	1	
10-2	09160-35013	WASHER (35X46X0.8)	1	
10-3	09160-35010	WASHER (35X46X1.15)	1	
10-4	09160-35004	WASHER (35X46X1.2)	1	
10-5	09160-35006	WASHER (35X46X0.9)	1	
10-6	09160-35002	WASHER (35X46X1)	1	
10-7	09160-35008	WASHER (35X46X0.95)	1	
10-8	09160-35003	WASHER (35X46X1.1)	1	
10-9	09160-35009	WASHER (35X46X1.05)	1	
11	09160-75002	WASHER (75X100X2)	1	FWD GEAR
12-1	09181-60004	SHIM (60X66X0.45)	1	REV GEAR
12-2	09181-60005	SHIM (60X66X0.5)	1	REV GEAR
12-3	09181-60006	SHIM (60X66X0.55)	1	REV GEAR
12-4	09181-60007	SHIM (60X66X0.6)	1	REV GEAR
12-5	09181-60008	SHIM (60X66X0.65)	1	REV GEAR

DF250 E03 012

FIG.91

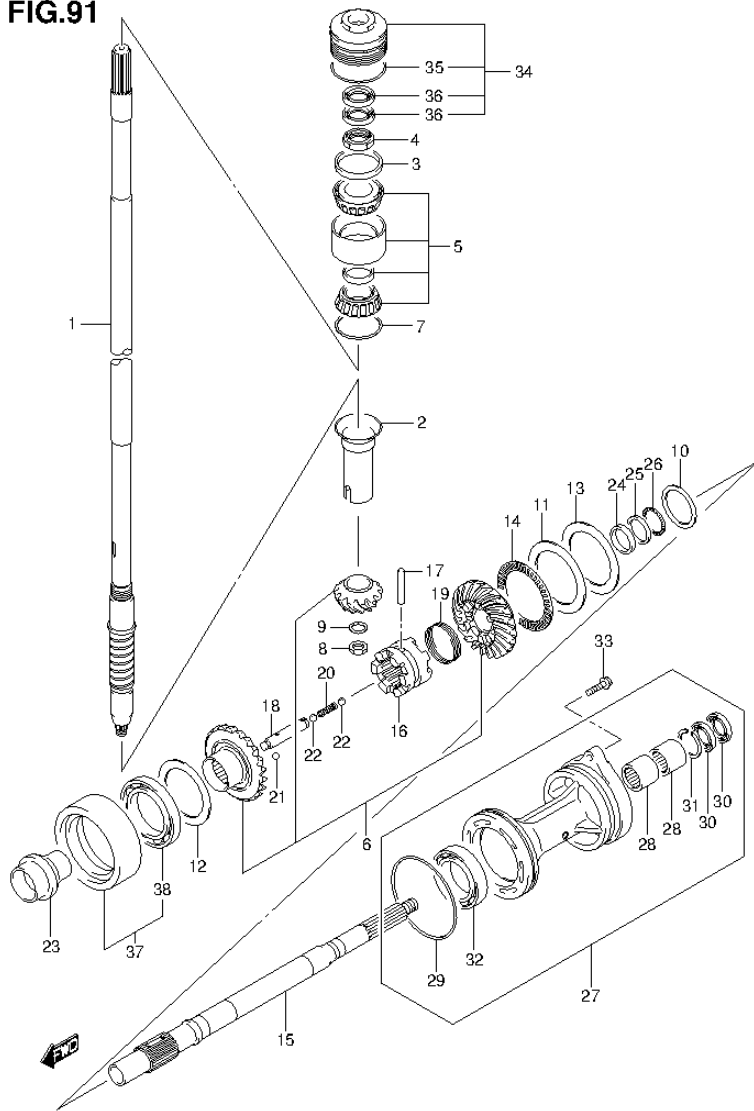


FIG.91 (1-K-13) TRANSMISSION (DF250Z E03)

REF NO.	PART NO.	DESCRIPTION	Q'TY	REMARKS
12-6	09181-60009	SHIM (60X66X0.7)	1	REV GEAR
12-7	09181-60010	SHIM (60X66X0.75)	1	REV GEAR
12-8	09181-60011	SHIM (60X66X0.8)	1	REV GEAR
12-9	09181-60012	SHIM (60X66X0.85)	1	REV GEAR
12-10	09181-60013	SHIM (60X66X0.9)	1	REV GEAR
13-1	09181-75018	SHIM (75X100X0.5)	1	FWD GEAR
13-2	09181-75019	SHIM (75X100X0.55)	1	FWD GEAR
13-3	09181-75012	SHIM (75X100X0.6)	1	FWD GEAR
13-4	09181-75013	SHIM (75X100X0.65)	1	FWD GEAR
13-5	09181-75008	SHIM (75X100X0.7)	1	FWD GEAR
13-6	09181-75014	SHIM (75X100X0.75)	1	FWD GEAR
13-7	09181-75009	SHIM (75X100X0.8)	1	FWD GEAR
13-8	09181-75015	SHIM (75X100X0.85)	1	FWD GEAR
13-9	09181-75010	SHIM (75X100X0.9)	1	FWD GEAR
13-10	09181-75016	SHIM (75X100X0.95)	1	FWD GEAR
13-11	09181-75011	SHIM (75X100X1)	1	FWD GEAR
14	09269-75002	BEARING (75X100X4)	1	FWD GEAR
15	57610-93J20	SHAFT, PROPELLER	1	
16	57621-93J20	SHIFTER, CLUTCH DOG	1	
17	09202-08007	PIN (8X49)	1	
18	57631-93J00	PIN, CONNECTOR	1	
19	09440-52003	SPRING	1	
20	09440-09040	SPRING	1	
21	06111-07004	BALL	2	
22	06111-11004	BALL	2	
23	57622-93J00	SPACER, FWD THRUST	1	
24	09160-30055	WASHER (30X47X6)	1	
25	09160-30056	WASHER (32X47X3)	1	
26	09269-30014	BEARING (30X47X2)	1	
27	56120-93J13-0EP	HOUSING, PROP SFT BRG (BLACK)	1	
28	09263-30023	.BEARING (30X40X25)	2	
29	09280-00040	.O RING (D:3.1,ID:104.4)	1	
30	09282-30006	.OIL SEAL (30X45X6)	2	
31	09381-40003	.CIRCLIP	1	

FIG.91

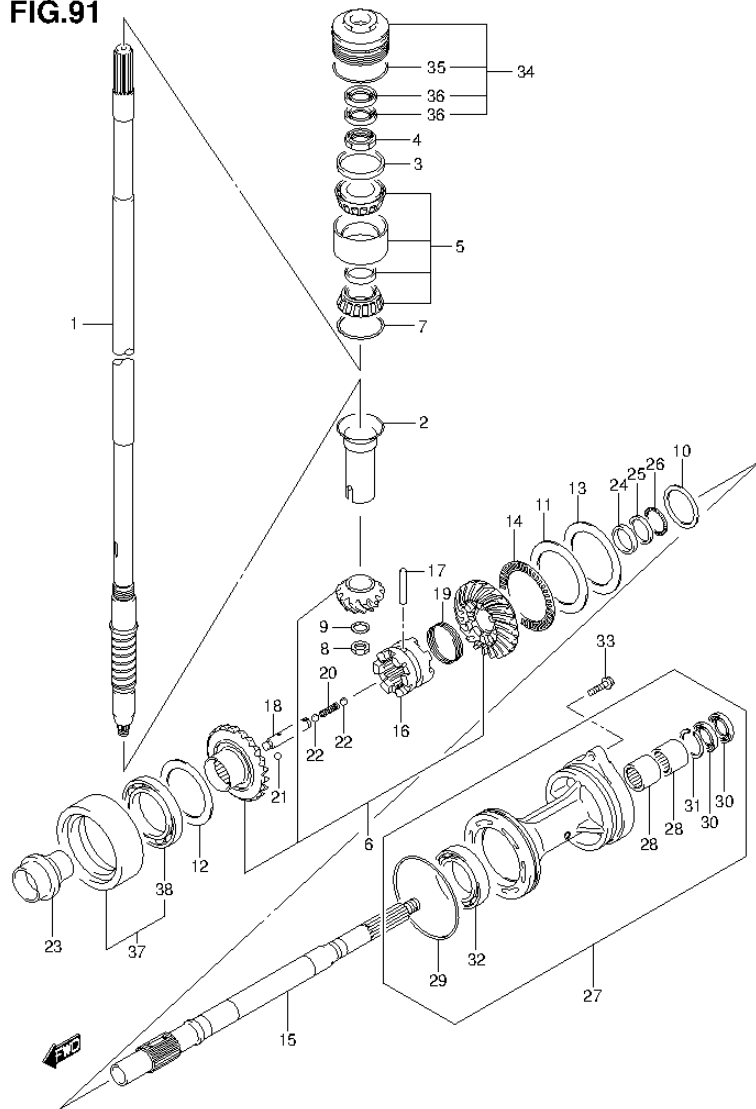


FIG.91 (1-K-14) TRANSMISSION (DF250Z E03)

REF NO.	PART NO.	DESCRIPTION	Q'TY	REMARKS
32	09263-50009	.BEARING (50X65X25)	1	
33	09116-08158	BOLT (8X35)	2	
34	56130-93J01	HOUSING, DRIVE SHAFT BRG	1	
35	09280-66004	.O RING (D:3.1,ID:65.4)	1	
36	09282-24004	.OIL SEAL (24X40X7)	2	
37	56140-93J10	HOUSING, REV GEAR BRG	1	
38	09262-60002	.BEARING (60X85X13)	1	

FIG.92

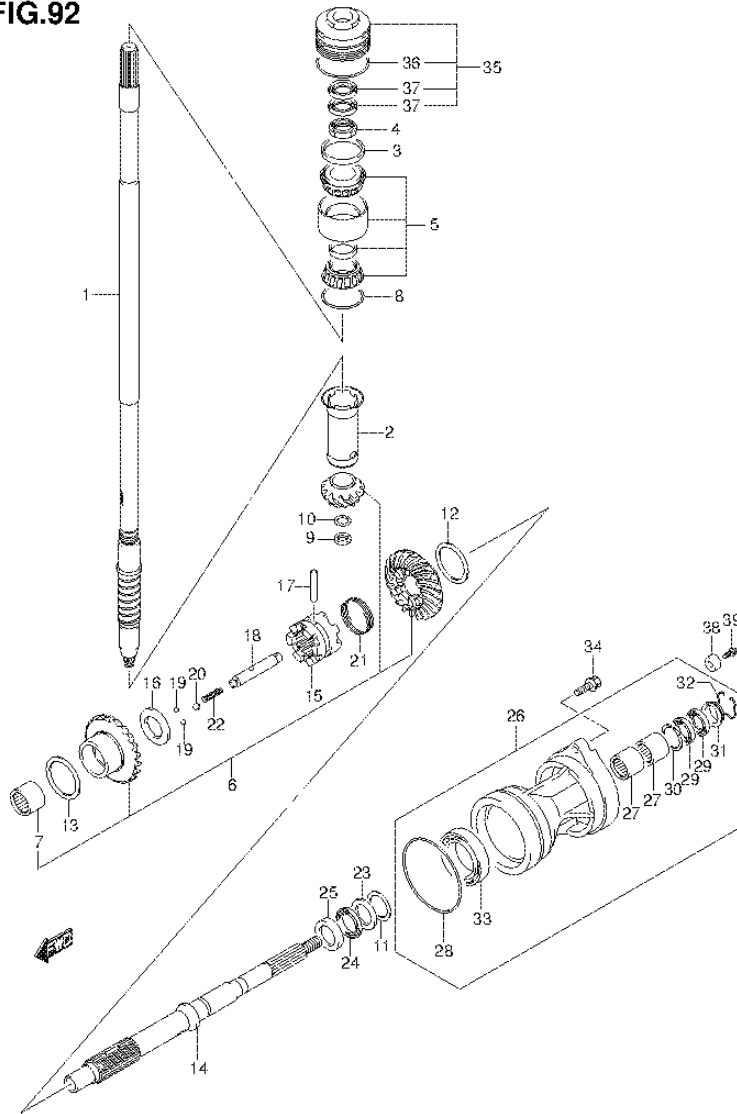


FIG.92 (1-K-15) TRANSMISSION (DF250ST E03)

REF NO.	PART NO.	DESCRIPTION	Q'TY	REMARKS
1	57110-98J21	SHAFT, DRIVE (L)	1	
2	57133-98J00	COLLAR, DRIVE SHAFT	1	
3	57134-93J00	SPACER, DRIVE SHAFT BEARING	1	
4	09159-28003	NUT	1	
5	09269-32001	BEARING (32X66X49)	1	
6	57300-98880	PINION/GEAR SET	1	
7	09263-25067	.BEARING (25X32X26)	1	
8-1	09181-60004	SHIM (60X66X0.45)	1	
8-2	09181-60005	SHIM (60X66X0.5)	1	
8-3	09181-60006	SHIM (60X66X0.55)	1	
8-4	09181-60007	SHIM (60X66X0.6)	1	
8-5	09181-60008	SHIM (60X66X0.65)	1	
8-6	09181-60009	SHIM (60X66X0.7)	1	
8-7	09181-60010	SHIM (60X66X0.75)	1	
8-8	09181-60011	SHIM (60X66X0.8)	1	
8-9	09181-60012	SHIM (60X66X0.85)	1	
8-10	09181-60013	SHIM (60X66X0.9)	1	
9	09140-16026	NUT	1	
10	08221-16256	WASHER	1	
11-1	09160-35015	WASHER (35X46X0.6)	1	PROP SHAFT REV
11-2	09160-35014	WASHER (35X46X0.7)	1	
11-3	09160-35013	WASHER (35X46X0.8)	1	
11-4	09160-35006	WASHER (35X46X0.9)	1	
11-5	09160-35008	WASHER (35X46X0.95)	1	
11-6	09160-35002	WASHER (35X46X1)	1	
11-7	09160-35009	WASHER (35X46X1.05)	1	
11-8	09160-35003	WASHER (35X46X1.1)	1	
11-9	09160-35010	WASHER (35X46X1.15)	1	
12-1	09181-50020	SHIM (50X65X0.45)	1	REV GEAR
12-2	09181-50021	SHIM (50X65X0.5)	1	
12-3	09181-50022	SHIM (50X65X0.55)	1	
12-4	09181-50023	SHIM (50X65X0.6)	1	
12-5	09181-50024	SHIM (50X65X0.65)	1	
12-6	09181-50025	SHIM (50X65X0.7)	1	

FIG.92

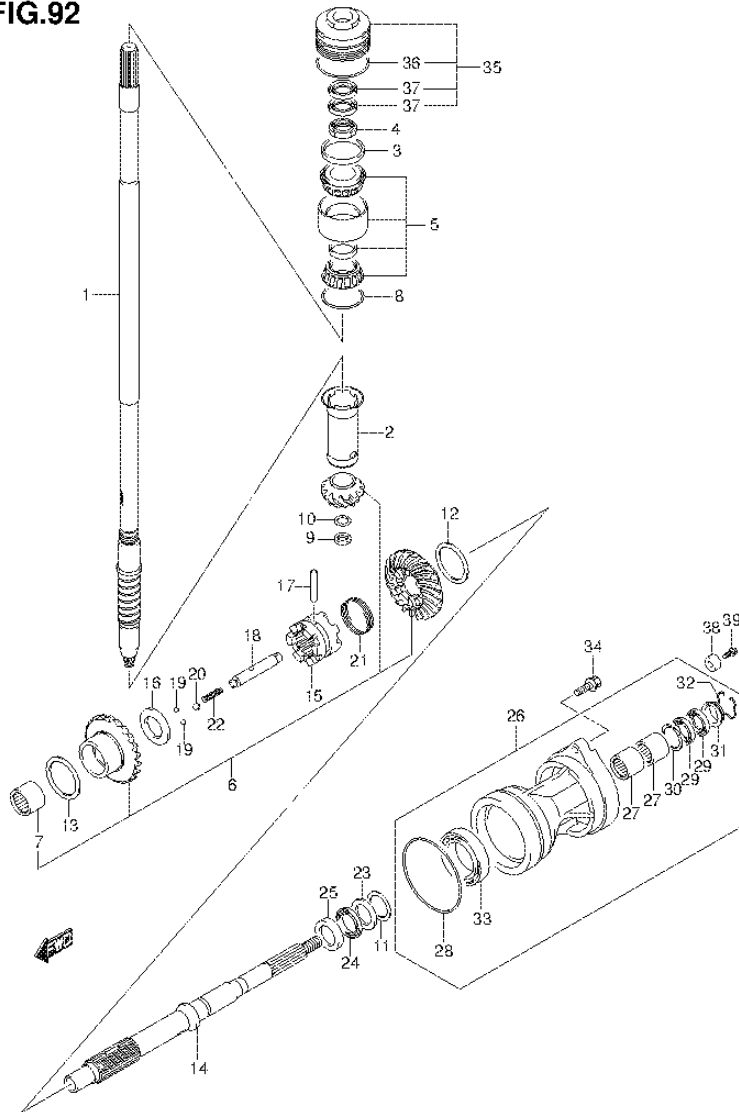


FIG.92 (1-L-2) TRANSMISSION (DF250ST E03)

REF NO.	PART NO.	DESCRIPTION	Q'TY	REMARKS
12-7	09181-50026	SHIM (50X65X0.75)	1	
12-8	09181-50027	SHIM (50X65X0.8)	1	
12-9	09181-50028	SHIM (50X65X0.85)	1	
12-10	09181-50029	SHIM (50X65X0.95)	1	
13-1	09181-50020	SHIM (50X65X0.45)	1	FWD GEAR
13-2	09181-50021	SHIM (50X65X0.5)	1	
13-3	09181-50022	SHIM (50X65X0.55)	1	
13-4	09181-50023	SHIM (50X65X0.6)	1	
13-5	09181-50024	SHIM (50X65X0.65)	1	
13-6	09181-50025	SHIM (50X65X0.7)	1	
13-7	09181-50026	SHIM (50X65X0.75)	1	
13-8	09181-50027	SHIM (50X65X0.8)	1	
13-9	09181-50028	SHIM (50X65X0.85)	1	
13-10	09181-50029	SHIM (50X65X0.95)	1	
14	57610-98J20	SHAFT, PROPELLER	1	
15	57621-98J10	SHIFTER, CLUTCH DOG	1	
16	09160-25080	WASHER (25X38X1)	1	
17	09202-08011	PIN (8X53)	1	
18	57631-98J10	PIN, CONNECTOR	1	
19	06111-07004	BALL	2	
20	06111-11004	BALL	2	
21	09440-56001	SPRING	1	
22	09440-09040	SPRING	1	
23	09160-30056	WASHER (32X47X3)	1	
24	09269-30014	BEARING (30X47X2)	1	
25	09160-30055	WASHER (30X47X6)	1	
26	56120-98J00-0EP	HOUSING, PROP SFT BRG (BLACK)	1	
27	09263-30023	.BEARING (30X40X25)	2	
28	09280-00040	.O RING (D:3.1, ID:104.4)	1	
29	09282-30006	.OIL SEAL (30X45X6)	2	
30	09381-40003	.CIRCLIP	1	
31	56123-93J00	.PROTECTOR, OIL SEAL	1	
32	09387-45001	.RING	1	
33	08113-62100	.BEARING	1	

FIG.92

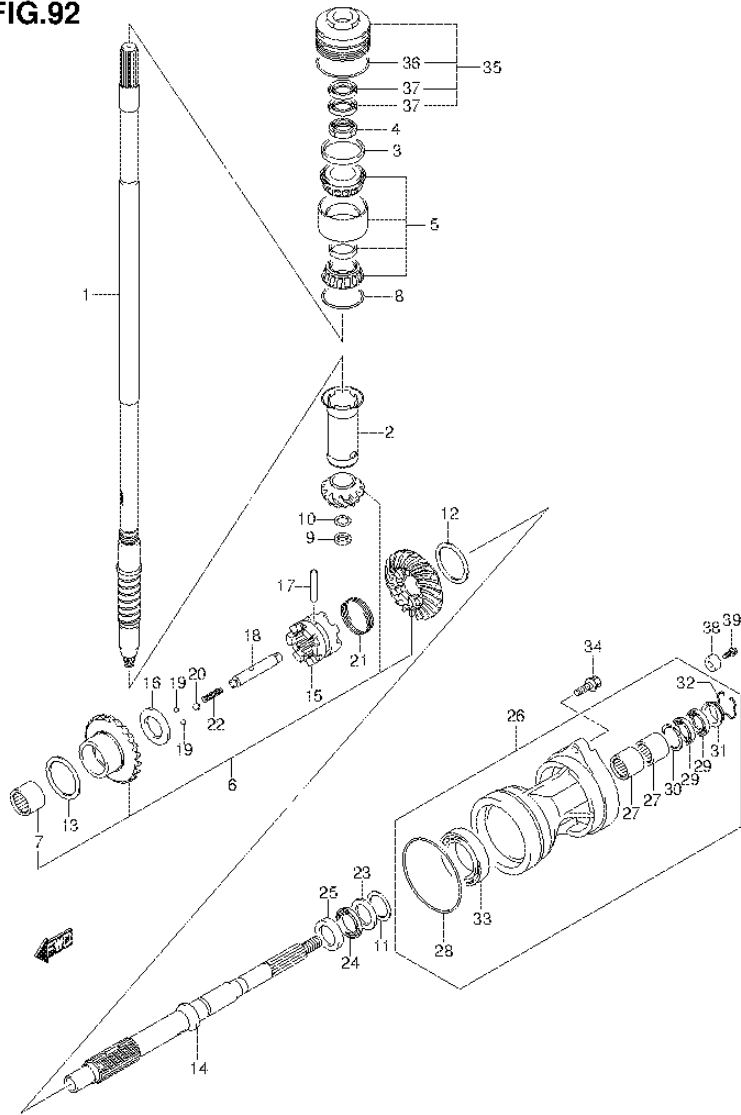


FIG.92 (1-L-3) TRANSMISSION (DF250ST E03)

REF NO.	PART NO.	DESCRIPTION	Q'TY	REMARKS
34	09116-10177	BOLT (10X35)	2	
35	56130-93J01	HOUSING, DRIVE SHAFT BRG	1	
36	09280-66004	.O RING (D:3.1,ID:65.4)	1	
37	09282-24004	.OIL SEAL (24X40X7)	2	
38	55321-87J00	ANODE, PROTECTION	1	
39	09103-06281	BOLT (6X14)	1	

FIG.93

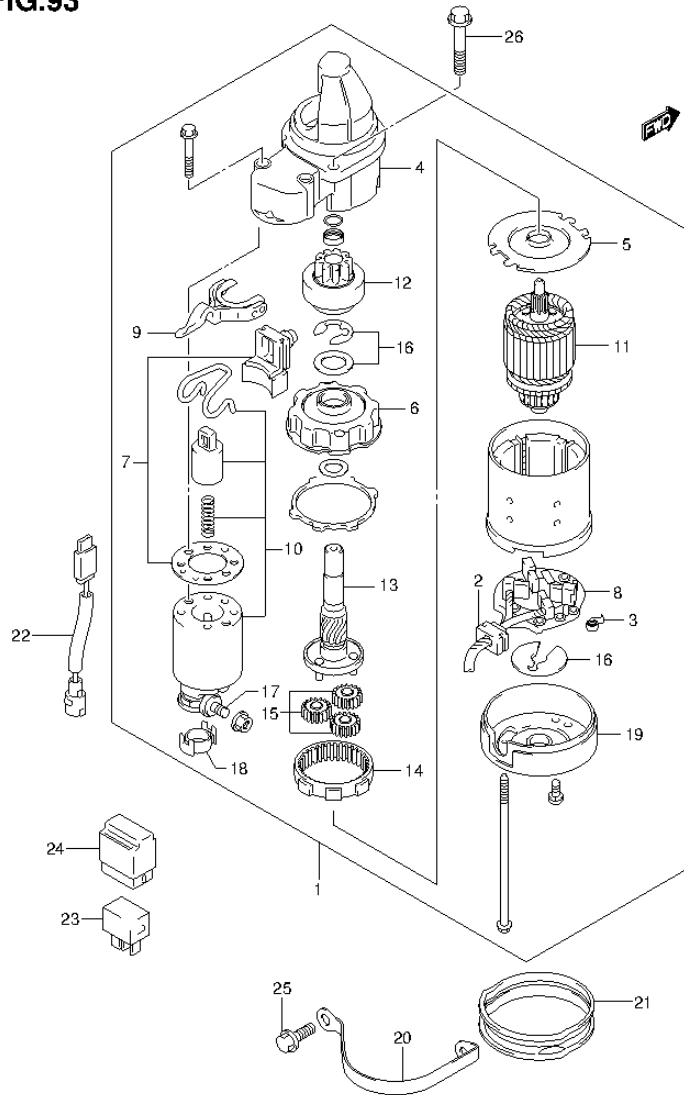


FIG.93 (1-L-4) STARTING MOTOR

REF NO.	PART NO.	DESCRIPTION	Q'TY	REMARKS
1	31100-96J01	STARTING MOTOR	1	
2	31131-90J01	.BRUSH SET, PLUS	1	
3	31135-90J00	.SPRING	4	
4	31151-94J00	.CASE, GEAR	1	
5	31152-90J00	.PLATE, CENTER	1	
6	31153-90J00	.BRACKET, PLANET GEAR	1	
7	31171-96J00	.COVER KIT, DUST	1	
8	31173-90J01	.HOLDER, BRUSH	1	
9	31191-96J00	.LEVER, SHIFT	1	
10	31220-94J00	.SWITCH, MAGNET	1	
11	31310-90J00	.ARMATURE	1	
12	31320-93J00	.PINION	1	
13	31341-93J00	.SHAFT, PINION	1	
14	31343-90J00	.INTERNAL GEAR	1	
15	31344-90J00	.GEAR, PLANETARY	3	
16	31360-93J01	.WASHER SET	1	
17	31913-93J00	.TERMINAL	1	
18	31914-93J00	.CAP, TERMINAL	1	
19	31170-90J00	.COVER ASSY, REAR	1	
20	31912-93J01	BAND, STARTING MOTOR	1	
21	31918-90J10	DAMPER, LOWER	1	
22	36645-93J00	LEAD WIRE	1	
23	38860-76F01	RELAY, STARTING MOTOR	1	
24	38915-90J00	HOLDER, RELAY	1	
25	01550-08207	BOLT	2	LOWER
26	01550-08307	BOLT	2	UPPER

FIG.94

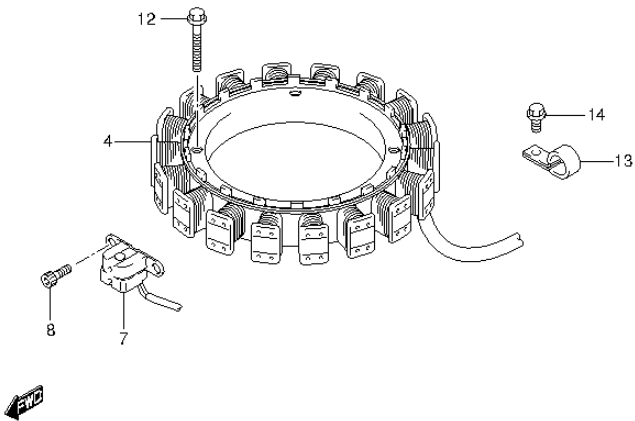
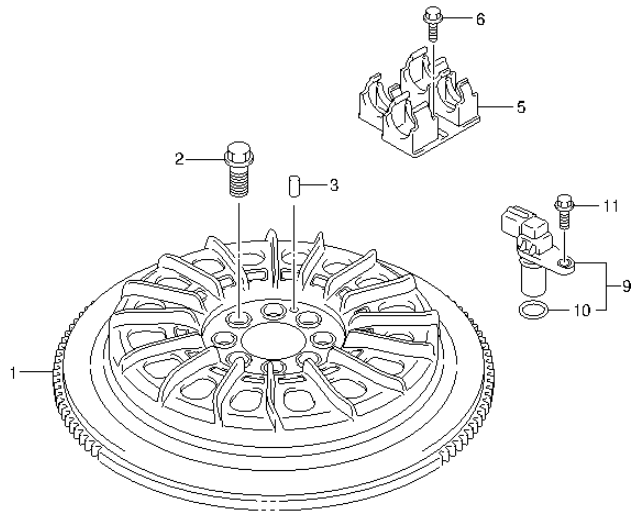


FIG.94 (1-L-5) MAGNETO (DF200T E03)

REF NO.	PART NO.	DESCRIPTION	Q'TY	REMARKS
1	32102-93J02	FLYWHEEL	1	
2	09103-12071	BOLT (12X26)	8	
3	09202-06031	PIN (6X12)	1	
4	32120-93J00	COIL, BATTERY CHARGING	1	
5	32131-93J00	HOLDER, STATOR CONNECTING	1	
6	01550-06167	BOLT	2	
7	32160-88L00	COIL, IGNITION TIMING	1	
8	09106-05030	BOLT (5X10)	2	
9	33220-69J00	SENSOR, CAM POSITION	1	
10	33221-42F00	.O RING	1	
11	01550-06167	BOLT	1	
12	09103-06231	BOLT (6X35)	4	
13	09403-13408	CLAMP	2	
14	01550-06127	BOLT	2	

FIG.95

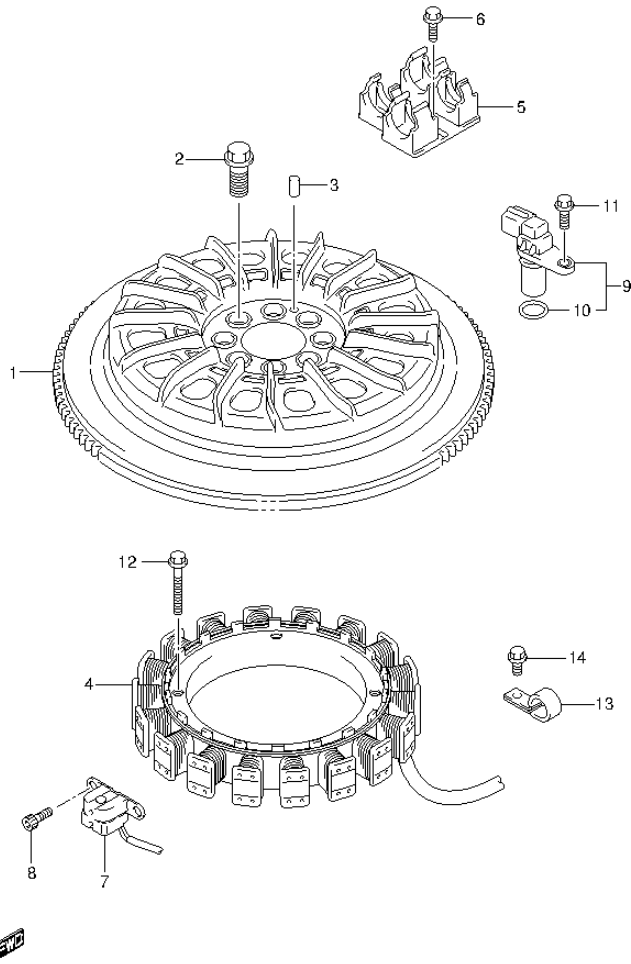


FIG.95 (1-L-6) MAGNETO (DF200Z E03)

REF NO.	PART NO.	DESCRIPTION	Q'TY	REMARKS
1	32102-93J02	FLYWHEEL	1	
2	09103-12071	BOLT (12X26)	8	
3	09202-06031	PIN (6X12)	1	
4	32120-93J00	COIL, BATTERY CHARGING	1	
5	32131-93J00	HOLDER, STATOR CONNECTING	1	
6	01550-06167	BOLT	2	
7	32160-88L00	COIL, IGNITION TIMING	1	
8	09106-05030	BOLT (5X10)	2	
9	33220-69J00	SENSOR, CAM POSITION	1	
10	33221-42F00	.O RING	1	
11	01550-06167	BOLT	1	
12	09103-06231	BOLT (6X35)	4	
13	09403-13408	CLAMP	2	
14	01550-06127	BOLT	2	

FIG.96

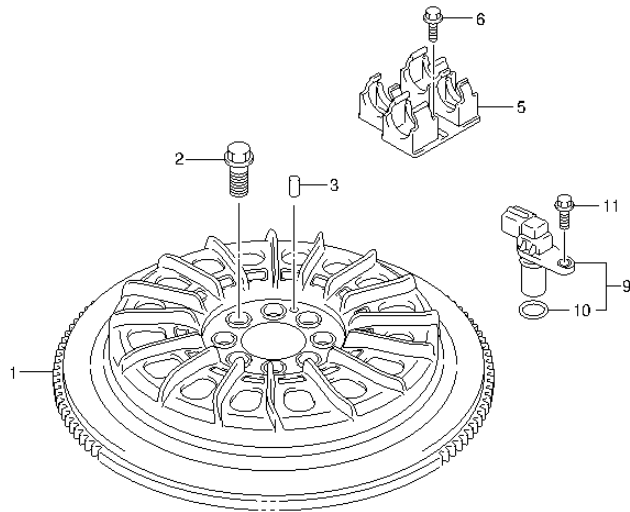


FIG.96 (1-L-7) MAGNETO (DF225T E03)

REF NO.	PART NO.	DESCRIPTION	Q'TY	REMARKS
1	32102-93J02	FLYWHEEL	1	
2	09103-12071	BOLT (12X26)	8	
3	09202-06031	PIN (6X12)	1	
4	32120-93J00	COIL, BATTERY CHARGING	1	
5	32131-93J00	HOLDER, STATOR CONNECTING	1	
6	01550-06167	BOLT	2	
7	32160-88L00	COIL, IGNITION TIMING	1	
8	09106-05030	BOLT (5X10)	2	
9	33220-69J00	SENSOR, CAM POSITION	1	
10	33221-42F00	.O RING	1	
11	01550-06167	BOLT	1	
12	09103-06231	BOLT (6X35)	4	
13	09403-13408	CLAMP	2	
14	01550-06127	BOLT	2	

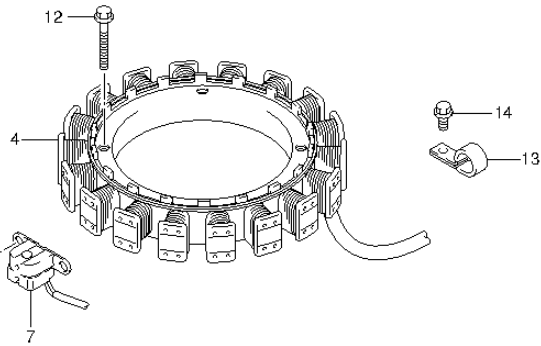


FIG.97

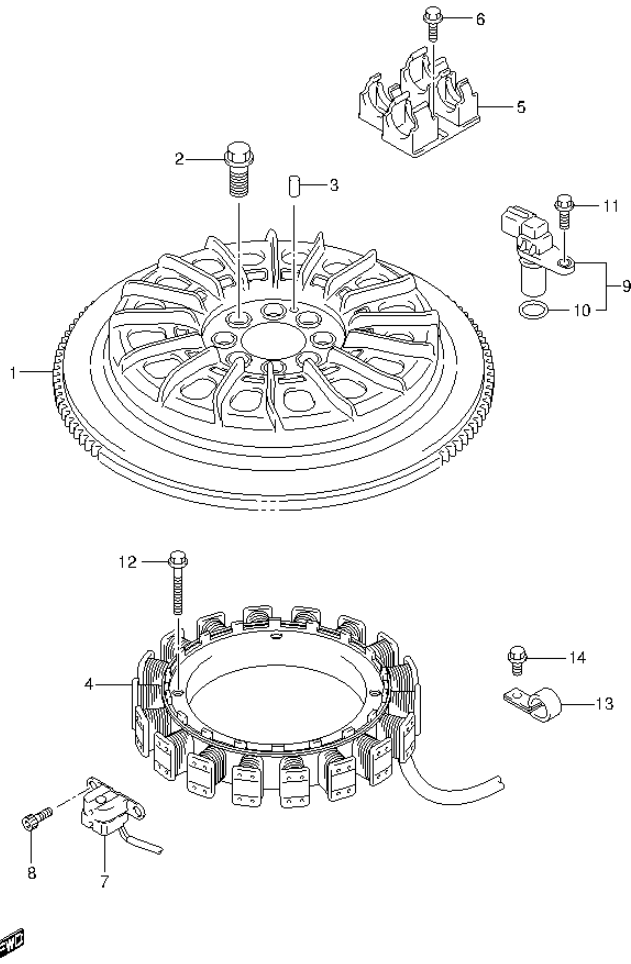


FIG.97 (1-L-8) MAGNETO (DF225Z E03)

REF NO.	PART NO.	DESCRIPTION	Q'TY	REMARKS
1	32102-93J02	FLYWHEEL	1	
2	09103-12071	BOLT (12X26)	8	
3	09202-06031	PIN (6X12)	1	
4	32120-93J00	COIL, BATTERY CHARGING	1	
5	32131-93J00	HOLDER, STATOR CONNECTING	1	
6	01550-06167	BOLT	2	
7	32160-88L00	COIL, IGNITION TIMING	1	
8	09106-05030	BOLT (5X10)	2	
9	33220-69J00	SENSOR, CAM POSITION	1	
10	33221-42F00	.O RING	1	
11	01550-06167	BOLT	1	
12	09103-06231	BOLT (6X35)	4	
13	09403-13408	CLAMP	2	
14	01550-06127	BOLT	2	

FIG.98

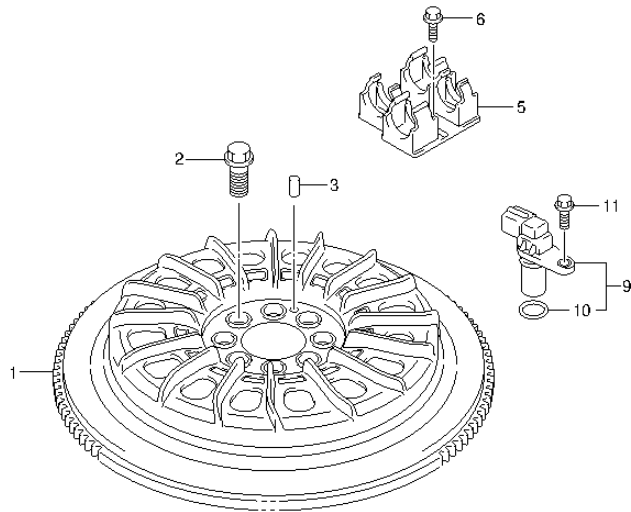


FIG.98 (1-L-9) MAGNETO (DF250T E03)

REF NO.	PART NO.	DESCRIPTION	Q'TY	REMARKS
1	32102-93J02	FLYWHEEL	1	
2	09103-12071	BOLT (12X26)	8	
3	09202-06031	PIN (6X12)	1	
4	32120-93J00	COIL, BATTERY CHARGING	1	
5	32131-93J00	HOLDER, STATOR CONNECTING	1	
6	01550-06167	BOLT	2	
7	32160-88L00	COIL, IGNITION TIMING	1	
8	09106-05030	BOLT (5X10)	2	
9	33220-69J00	SENSOR, CAM POSITION	3	
10	33221-42F00	O RING	3	
11	01550-06167	BOLT	3	
12	09103-06231	BOLT (6X35)	4	
13	09403-13408	CLAMP	2	
14	01550-06127	BOLT	2	

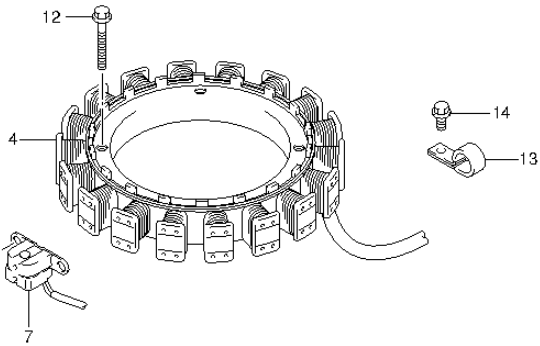


FIG.99

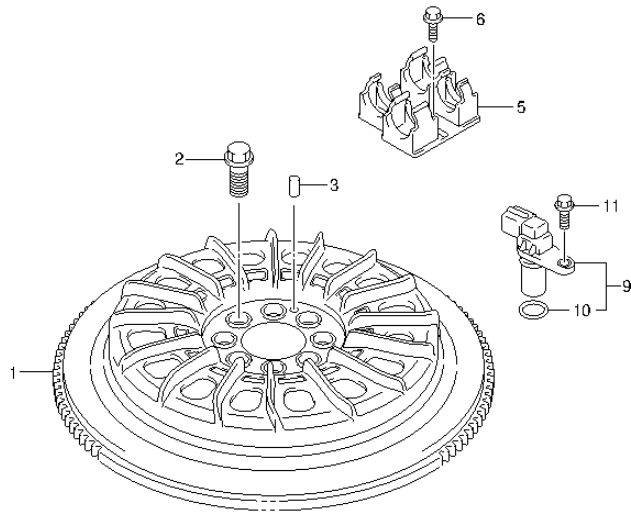


FIG.99 (1-L-10) MAGNETO (DF250Z E03)

REF NO.	PART NO.	DESCRIPTION	Q'TY	REMARKS
1	32102-93J02	FLYWHEEL	1	
2	09103-12071	BOLT (12X26)	8	
3	09202-06031	PIN (6X12)	1	
4	32120-93J00	COIL, BATTERY CHARGING	1	
5	32131-93J00	HOLDER, STATOR CONNECTING	1	
6	01550-06167	BOLT	2	
7	32160-88L00	COIL, IGNITION TIMING	1	
8	09106-05030	BOLT (5X10)	2	
9	33220-69J00	SENSOR, CAM POSITION	3	
10	33221-42F00	.O RING	3	
11	01550-06167	BOLT	3	
12	09103-06231	BOLT (6X35)	4	
13	09403-13408	CLAMP	2	
14	01550-06127	BOLT	2	

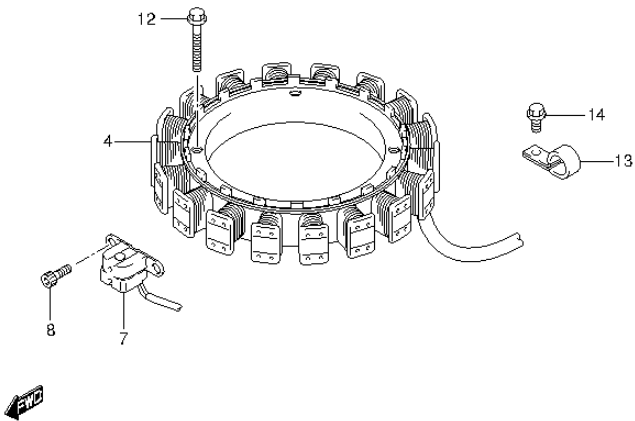


FIG.100

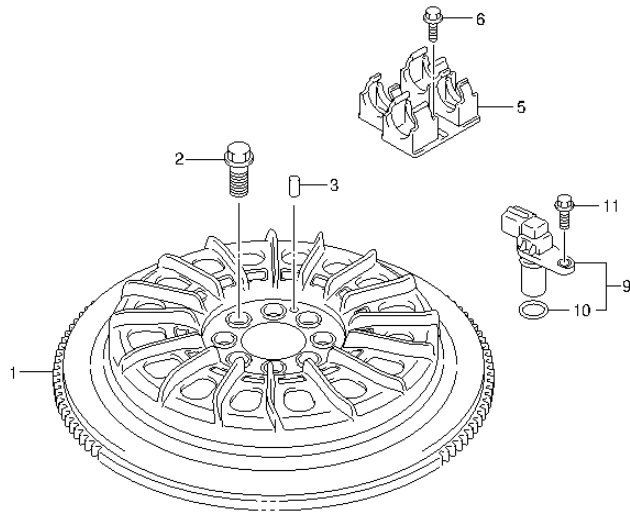


FIG.100 (1-L-11) MAGNETO (DF250ST E03)

REF NO.	PART NO.	DESCRIPTION	Q'TY	REMARKS
1	32102-93J02	FLYWHEEL	1	
2	09103-12071	BOLT (12X26)	8	
3	09202-06031	PIN (6X12)	1	
4	32120-93J00	COIL, BATTERY CHARGING	1	
5	32131-93J00	HOLDER, STATOR CONNECTING	1	
6	01550-06167	BOLT	2	
7	32160-88L00	COIL, IGNITION TIMING	1	
8	09106-05030	BOLT (5X10)	2	
9	33220-69J00	SENSOR, CAM POSITION	3	
10	33221-42F00	O RING	3	
11	01550-06167	BOLT	3	
12	09103-06231	BOLT (6X35)	4	
13	09403-13408	CLAMP	2	
14	01550-06127	BOLT	2	

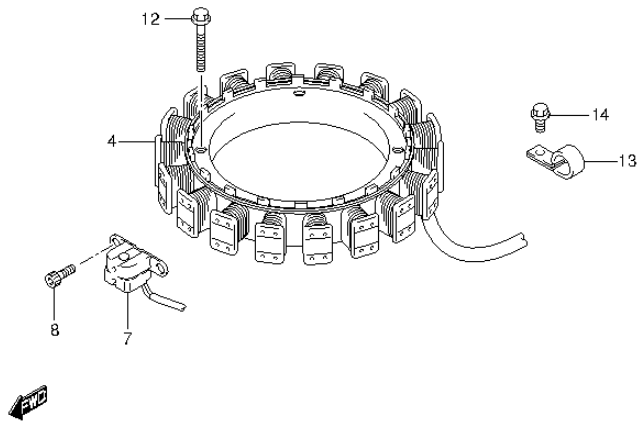


FIG.101

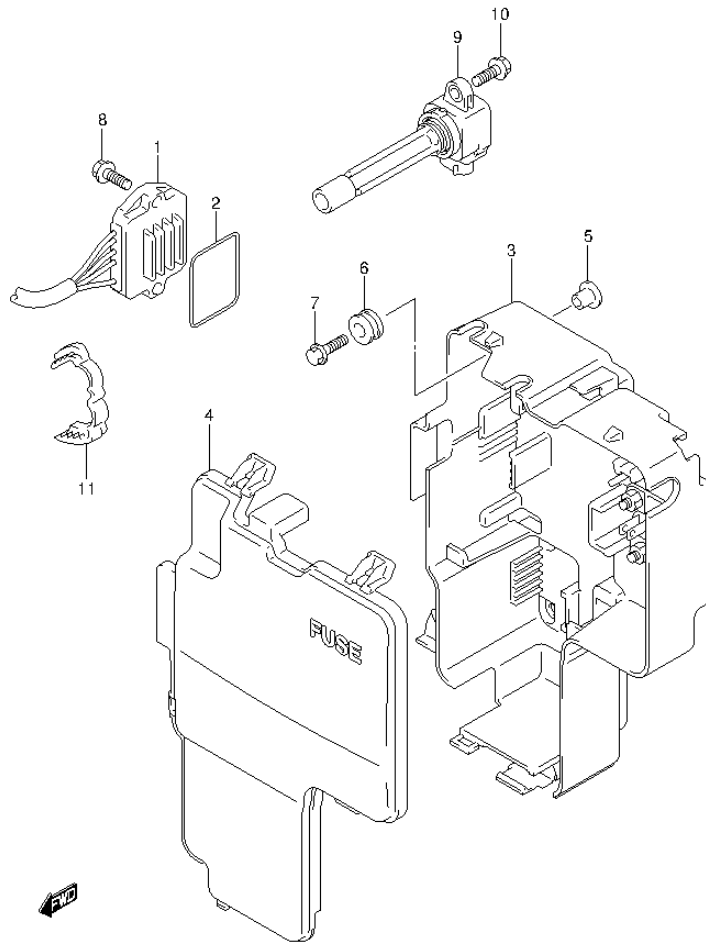


FIG.101 (1-L-12) RECTIFIER/IGNITION COIL

REF NO.	PART NO.	DESCRIPTION	Q'TY	REMARKS
1	32800-93J03	RECTIFIER & REGULATOR	2	
2	32805-93J00	O RING, RECTIFIER & REGULATOR	2	
3	32890-93J01	HOLDER, ELECTRIC PARTS	1	
4	32891-93J00	COVER, ELECTRIC PARTS HOLDER	1	
5	09169-06062	WASHER	4	
6	09320-09016	CUSHION	4	
7	09116-06202	BOLT (6X25)	1	
8	01550-06257	BOLT	4	
9	33410-93J00	COIL ASSY, IGNITION	6	
10	01550-06207	BOLT	6	
11	09408-00184	CLAMP	1	

FIG.102

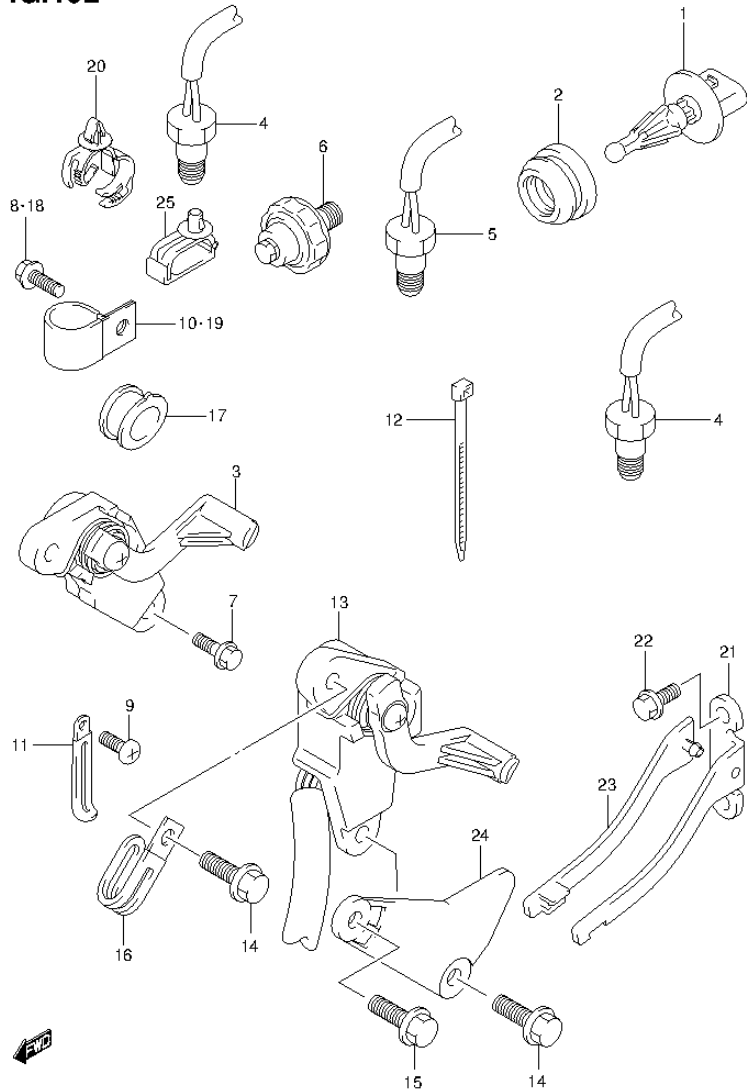


FIG.102 (1-L-13) SENSOR (DF200T E03)

REF NO.	PART NO.	DESCRIPTION	Q'TY	REMARKS
1	13650-52G00	SENSOR, INLET AIR TEMP	1	
2	13655-87J00	GROMMET, AIR TEMP SENSOR	1	
3	34801-93J03	SENDER ASSY, TRIM	1	W/TRANSOM(X)
4	34830-87J20	SENSOR ASSY, EXHAUST TEMP	2	
5	34830-87J20	SENSOR ASSY, CYLINDER TEMP	1	
6	37820-99E01	SWITCH ASSY, OIL PRESSURE	1	
7	09100-06113	BOLT (6X16)	2	W/TRANSOM(X)
8	29103-93J00	BOLT, TRIM SENDER CLAMP	1	W/TRANSOM(X)
9	09125-06063	SCREW (6X10)	1	W/TRANSOM(X)
10	09403-19409	CLAMP	1	W/TRANSOM(X)
11	29404-93J10	CLAMP, TRIM SENDER	1	W/TRANSOM(X)
12	09407-14407	CLAMP (L:145)	2	
13	34801-99E04	SENDER ASSY, TRIM	1	W/TRANSOM(L)
14	09103-06093	BOLT (6X20)	2	W/TRANSOM(L)
15	09103-06093	BOLT (6X20)	1	W/TRANSOM(L)
16	29404-93J20	CLAMP, TRIM SENDER LEAD	1	W/TRANSOM(L)
17	34813-93J00	PROTECTOR, LEAD WIRE	1	W/TRANSOM(L)
18	09103-06152	BOLT (6X12)	1	W/TRANSOM(L)
19	09403-19409	CLAMP	1	W/TRANSOM(L)
20	09403-20308	CLAMP	1	W/TRANSOM(L)
21	43117-96J00	CAM, TRIM SENDER	1	W/TRANSOM(L)
22	09116-05010	BOLT (5X12)	2	W/TRANSOM(L)
23	43118-96J00	PLATE, TRIM SENDER CAM	1	W/TRANSOM(L)
24	41118-96J00	PLATE, TRIM SENDER	1	W/TRANSOM(L)
25	09403-07340	CLAMP	1	W/TRANSOM(X)

FIG.103

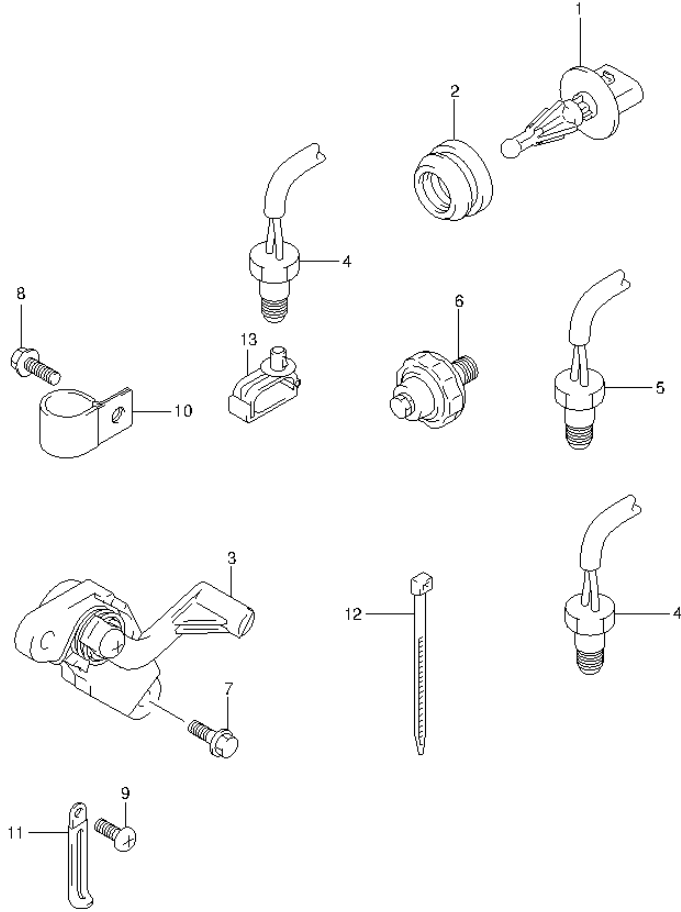


FIG.103 (1-L-14) SENSOR (DF200Z E03)

REF NO.	PART NO.	DESCRIPTION	Q'TY	REMARKS
1	13650-52G00	SENSOR, INLET AIR TEMP	1	
2	13655-87J00	GROMMET, AIR TEMP SENSOR	1	
3	34801-93J03	SENDER ASSY, TRIM	1	
4	34830-87J20	SENSOR ASSY, EXHAUST TEMP	2	
5	34830-87J20	SENSOR ASSY, CYLINDER TEMP	1	
6	37820-99E01	SWITCH ASSY, OIL PRESSURE	1	
7	09100-06113	BOLT (6X16)	2	
8	29103-93J00	BOLT, TRIM SENDER CLAMP	1	
9	09125-06063	SCREW (6X10)	1	
10	09403-19409	CLAMP	1	
11	29404-93J10	CLAMP, TRIM SENDER	1	
12	09407-14407	CLAMP (L:145)	2	
13	09403-07340	CLAMP	1	



FIG.104

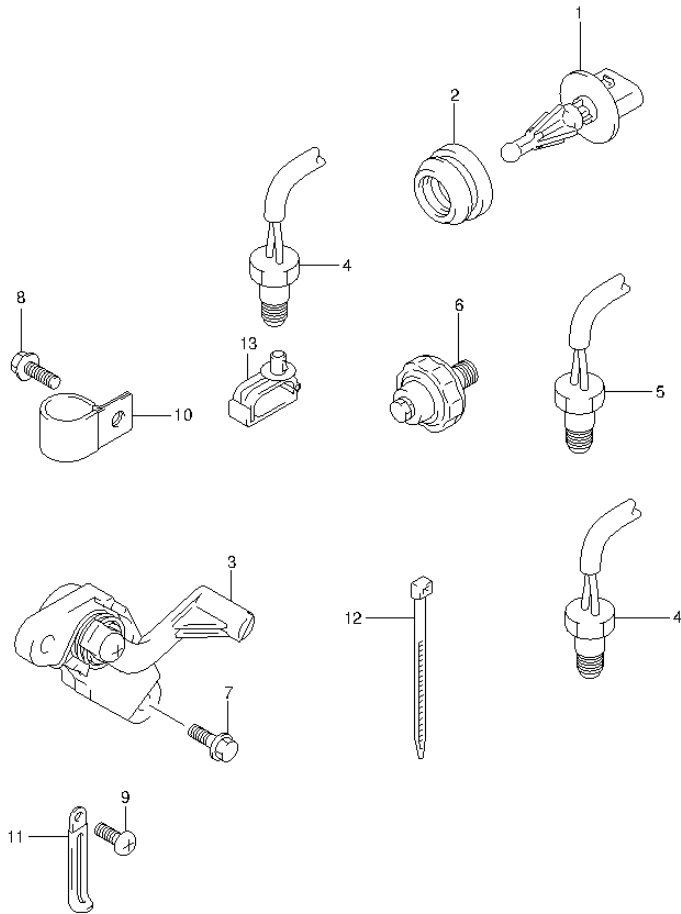


FIG.104 (1-L-15) SENSOR (DF225T E03)

REF NO.	PART NO.	DESCRIPTION	Q'TY	REMARKS
1	13650-52G00	SENSOR, INLET AIR TEMP	1	
2	13655-87J00	GROMMET, AIR TEMP SENSOR	1	
3	34801-93J03	SENDER ASSY, TRIM	1	W/TRANSOM(X,XX)
4	34830-87J20	SENSOR ASSY, EXHAUST TEMP	2	
5	34830-87J20	SENSOR ASSY, CYLINDER TEMP	1	
6	37820-99E01	SWITCH ASSY, OIL PRESSURE	1	
7	09100-06113	BOLT (6X16)	2	W/TRANSOM(X,XX)
8	29103-93J00	BOLT, TRIM SENDER CLAMP	1	W/TRANSOM(X,XX)
9	09125-06063	SCREW (6X10)	1	W/TRANSOM(X,XX)
10	09403-19409	CLAMP	1	W/TRANSOM(X,XX)
11	29404-93J10	CLAMP, TRIM SENDER	1	W/TRANSOM(X,XX)
12	09407-14407	CLAMP (L:145)	2	
13	09403-07340	CLAMP	1	W/TRANSOM(X,XX)



FIG.105

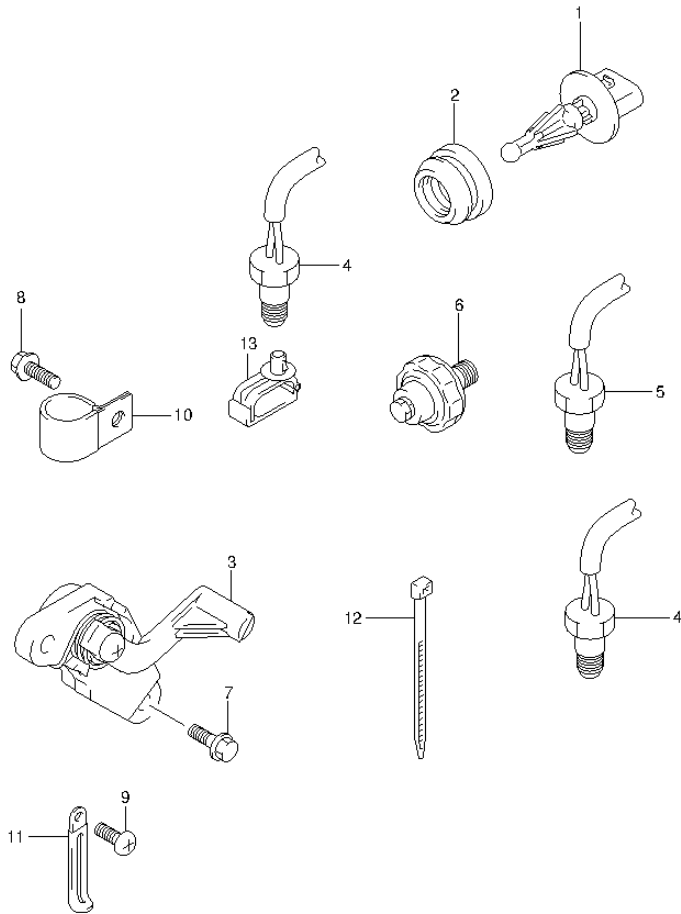


FIG.105 (2-B-2) SENSOR (DF225Z E03)

REF NO.	PART NO.	DESCRIPTION	Q'TY	REMARKS
1	13650-52G00	SENSOR, INLET AIR TEMP	1	
2	13655-87J00	GROMMET, AIR TEMP SENSOR	1	
3	34801-93J03	SENDER ASSY, TRIM	1	W/TRANSOM(X,XX)
4	34830-87J20	SENSOR ASSY, EXHAUST TEMP	2	
5	34830-87J20	SENSOR ASSY, CYLINDER TEMP	1	
6	37820-99E01	SWITCH ASSY, OIL PRESSURE	1	
7	09100-06113	BOLT (6X16)	2	W/TRANSOM(X,XX)
8	29103-93J00	BOLT, TRIM SENDER CLAMP	1	W/TRANSOM(X,XX)
9	09125-06063	SCREW (6X10)	1	W/TRANSOM(X,XX)
10	09403-19409	CLAMP	1	W/TRANSOM(X,XX)
11	29404-93J10	CLAMP, TRIM SENDER	1	W/TRANSOM(X,XX)
12	09407-14407	CLAMP (L:145)	2	
13	09403-07340	CLAMP	1	W/TRANSOM(X,XX)



FIG.106

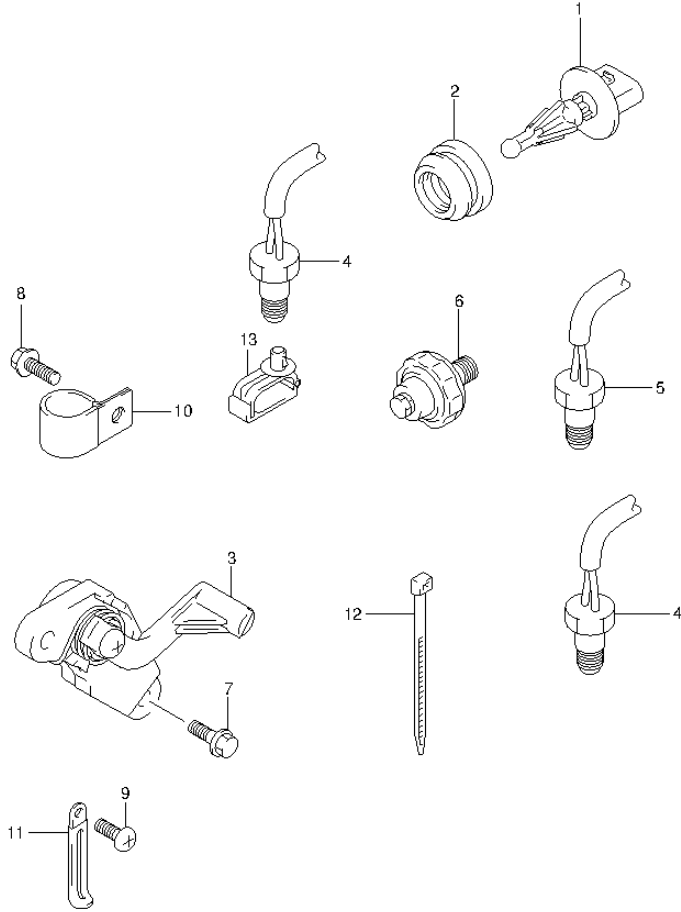


FIG.106 (2-B-3) SENSOR (DF250T E03)

REF NO.	PART NO.	DESCRIPTION	Q'TY	REMARKS
1	13650-52G00	SENSOR, INLET AIR TEMP	1	
2	13655-87J00	GROMMET, AIR TEMP SENSOR	1	
3	34801-93J03	SENDER ASSY, TRIM	1	W/TRANSOM(X,XX)
4	34830-87J20	SENSOR ASSY, EXHAUST TEMP	2	
5	34830-87J20	SENSOR ASSY, CYLINDER TEMP	1	
6	37820-99E01	SWITCH ASSY, OIL PRESSURE	1	
7	09100-06113	BOLT (6X16)	2	W/TRANSOM(X,XX)
8	29103-93J00	BOLT, TRIM SENDER CLAMP	1	W/TRANSOM(X,XX)
9	09125-06063	SCREW (6X10)	1	W/TRANSOM(X,XX)
10	09403-19409	CLAMP	1	W/TRANSOM(X,XX)
11	29404-93J10	CLAMP, TRIM SENDER	1	W/TRANSOM(X,XX)
12	09407-14407	CLAMP (L:145)	2	
13	09403-07340	CLAMP	1	W/TRANSOM(X,XX)



FIG.107

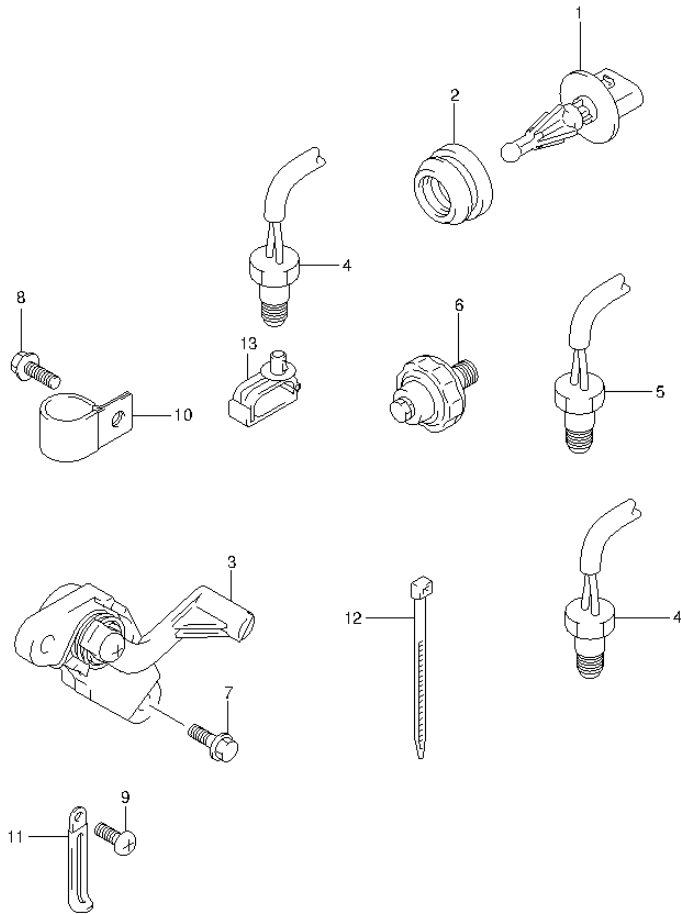


FIG.107 (2-B-4) SENSOR (DF250Z E03)

REF NO.	PART NO.	DESCRIPTION	Q'TY	REMARKS
1	13650-52G00	SENSOR, INLET AIR TEMP	1	
2	13655-87J00	GROMMET, AIR TEMP SENSOR	1	
3	34801-93J03	SENDER ASSY, TRIM	1	W/TRANSOM(X,XX)
4	34830-87J20	SENSOR ASSY, EXHAUST TEMP	2	
5	34830-87J20	SENSOR ASSY, CYLINDER TEMP	1	
6	37820-99E01	SWITCH ASSY, OIL PRESSURE	1	
7	09100-06113	BOLT (6X16)	2	W/TRANSOM(X,XX)
8	29103-93J00	BOLT, TRIM SENDER CLAMP	1	W/TRANSOM(X,XX)
9	09125-06063	SCREW (6X10)	1	W/TRANSOM(X,XX)
10	09403-19409	CLAMP	1	W/TRANSOM(X,XX)
11	29404-93J10	CLAMP, TRIM SENDER	1	W/TRANSOM(X,XX)
12	09407-14407	CLAMP (L:145)	2	
13	09403-07340	CLAMP	1	W/TRANSOM(X,XX)



FIG.108

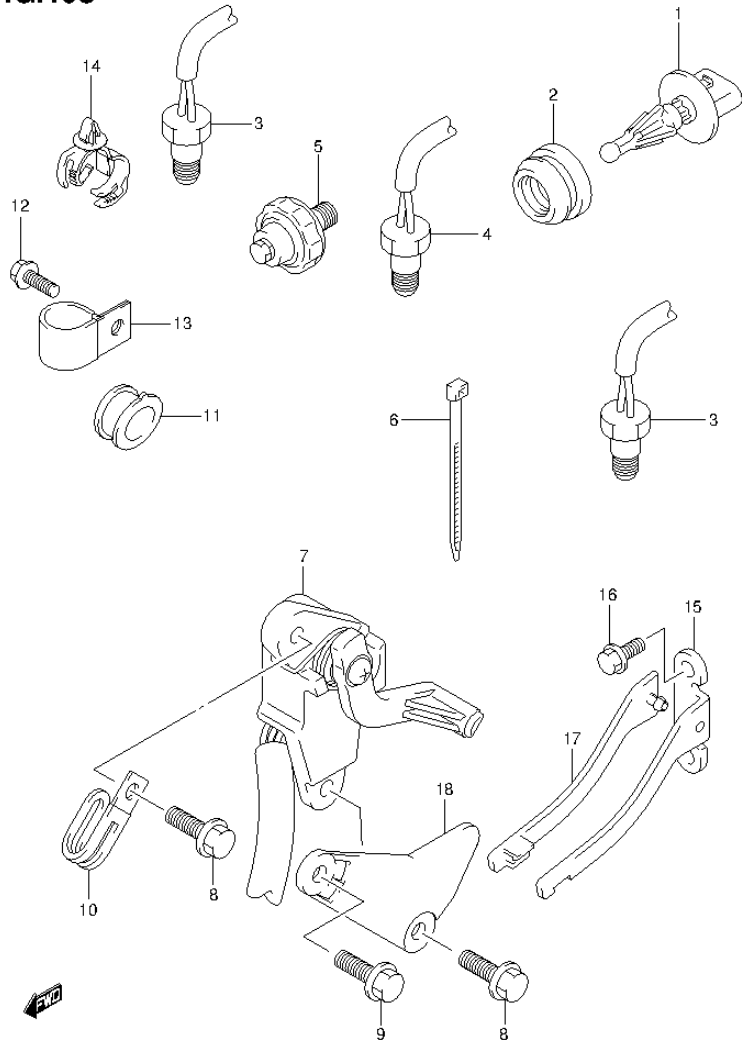


FIG.108 (2-B-5) SENSOR (DF250ST E03)

REF NO.	PART NO.	DESCRIPTION	Q'TY	REMARKS
1	13650-52G00	SENSOR, INLET AIR TEMP	1	
2	13655-87J00	GROMMET, AIR TEMP SENSOR	1	
3	34830-87J20	SENSOR ASSY, EXHAUST TEMP	2	
4	34830-87J20	SENSOR ASSY, CYLINDER TEMP	1	
5	37820-99E01	SWITCH ASSY, OIL PRESSURE	1	
6	09407-14407	CLAMP (L:145)	2	
7	34801-99E04	SENDER ASSY, TRIM	1	
8	09103-06093	BOLT (6X20)	2	
9	09103-06093	BOLT (6X20)	1	
10	29404-93J20	CLAMP, TRIM SENDER LEAD	1	
11	34813-93J00	PROTECTOR, LEAD WIRE	1	
12	09103-06152	BOLT (6X12)	1	
13	09403-19409	CLAMP	1	
14	09403-20308	CLAMP	1	
15	43117-96J00	CAM, TRIM SENDER	1	
16	09116-05010	BOLT (5X12)	2	
17	43118-96J00	PLATE, TRIM SENDER CAM	1	
18	41118-96J00	PLATE, TRIM SENDER	1	

FIG.109

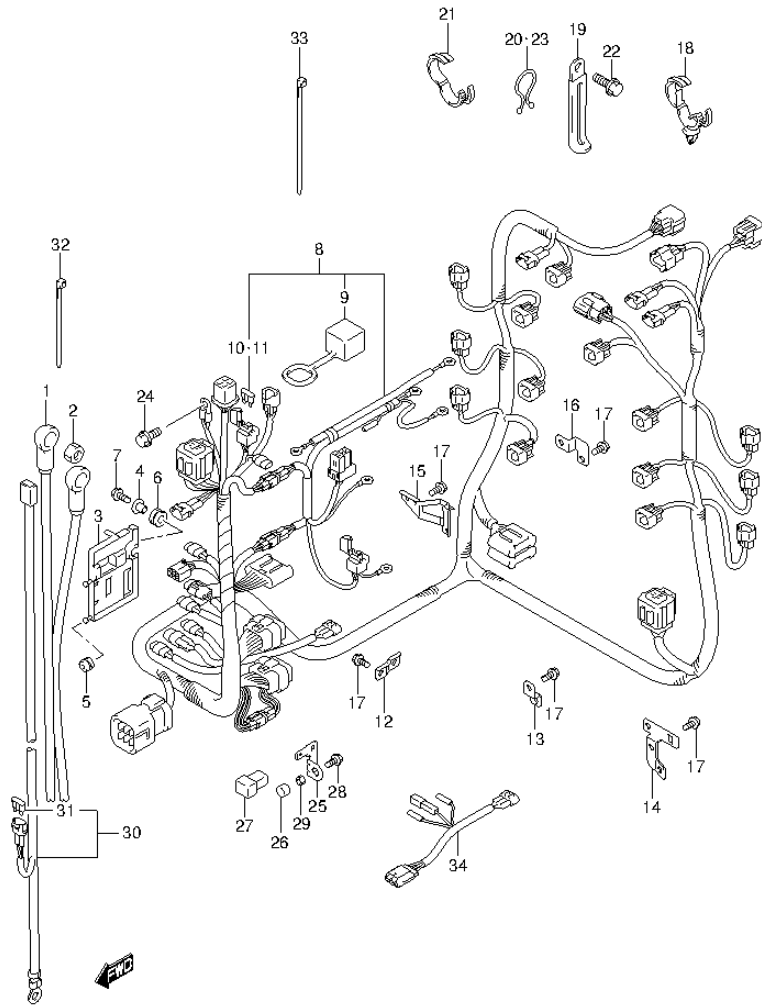


FIG.109 (2-B-6) HARNESS (DF200T E03)

REF NO.	PART NO.	DESCRIPTION	Q'TY	REMARKS
1	33810-93J01	CABLE, STARTER MOTOR	1	L:4000
2	08316-10087	NUT	1	
3	36616-93J01	HOLDER, CONNECTOR	1	
4	09169-06062	WASHER	1	
5	09320-04009	BUSH	2	
6	09320-09016	CUSHION	1	
7	01550-06257	BOLT	1	
8	36610-93JN1	HARNESS ASSY, WIRING	1	
9	33634-96J00	.CAP, SERVICE CONNECTOR	1	
10	09481-15501	.FUSE (15A)	1	
11	09481-30501	.FUSE (30A)	1	
12	36617-93J00	BRACKET, HARNESS	3	
13	36617-93J10	BRACKET, HARNESS	4	
14	36617-93J20	BRACKET, HARNESS	1	
15	36617-93J30	BRACKET, HARNESS	1	
16	36617-93J40	BRACKET, HARNESS	1	
17	01550-06127	BOLT	11	
18	09403-20308	CLAMP	1	
19	29404-93J10	CLAMP, HARNESS	1	
20	09408-00008	CLIP (ID:20)	1	
21	09408-00184	CLAMP	3	
22	01550-06127	BOLT	1	
23	09408-00008	CLIP (ID:20)	1	
24	01550-06127	BOLT	1	
25	36865-90J00	TERMINAL, MAIN FUSE	2	
26	09251-09002	CAP	2	
27	09481-60401	FUSE (60A)	2	
28	01570-06127	BOLT	2	
29	08310-00067	NUT	2	
30-1	36625-93J10	LEAD, BATTERY	1	OPT L:6500
30-2	36625-93J00	LEAD, BATTERY	1	
31	09481-15501	.FUSE (15A)	1	
32	09407-10404	CLAMP (L:100)	2	

FIG.109

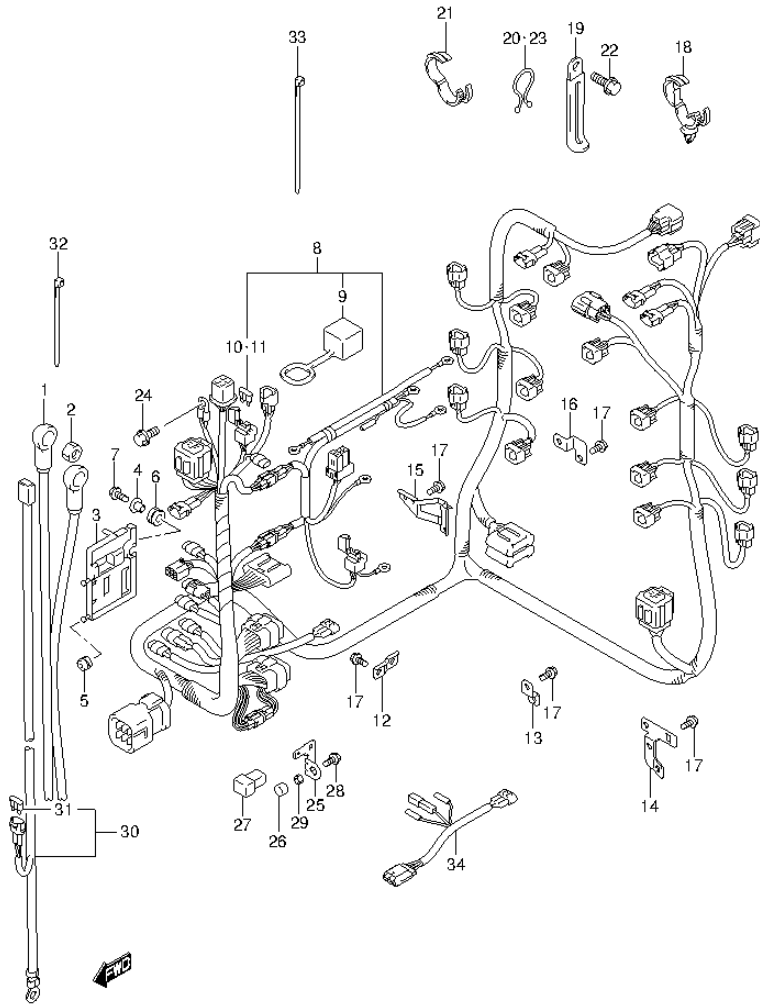


FIG.109 (2-B-7) HARNESS (DF200T E03)

REF NO.	PART NO.	DESCRIPTION	Q'TY	REMARKS
33	09407-14407	CLAMP (L:145)	1	
34	36647-93J00	LEAD, BATTERY	1	OPT

FIG.110

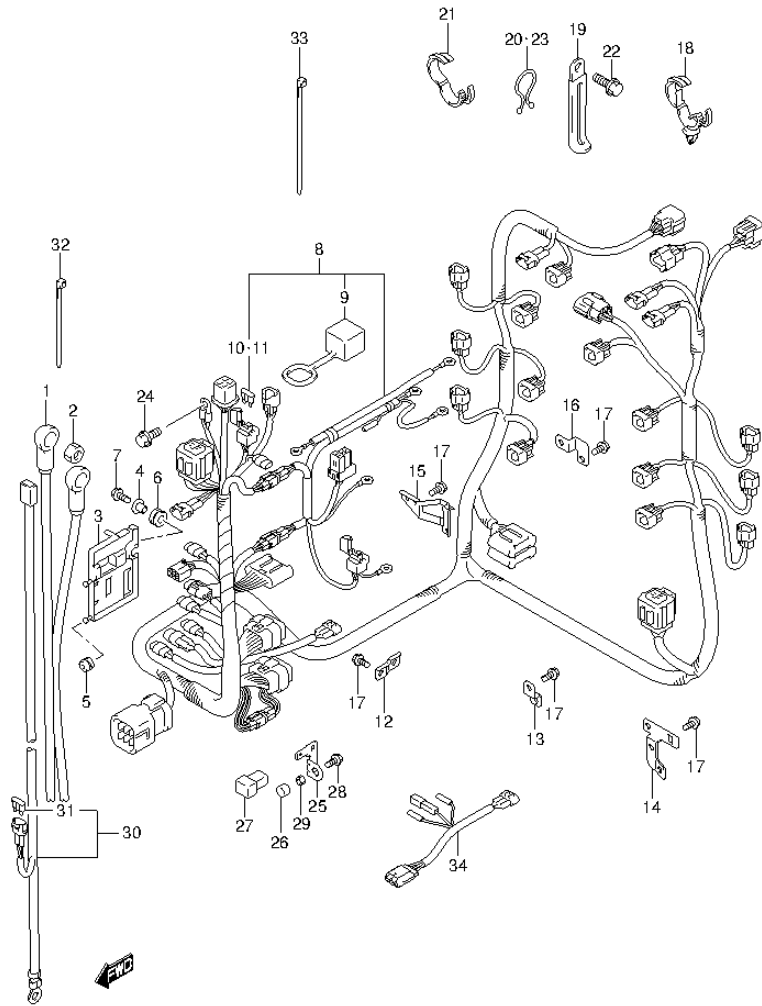


FIG.110 (2-B-8) HARNESS (DF200Z E03)

REF NO.	PART NO.	DESCRIPTION	Q'TY	REMARKS
1	33810-93J01	CABLE, STARTER MOTOR	1	L:4000
2	08316-10087	NUT	1	
3	36616-93J01	HOLDER, CONNECTOR	1	
4	09169-06062	WASHER	1	
5	09320-04009	BUSH	2	
6	09320-09016	CUSHION	1	
7	01550-06257	BOLT	1	
8	36610-93JN1	HARNESS ASSY, WIRING	1	
9	33634-96J00	.CAP, SERVICE CONNECTOR	1	
10	09481-15501	.FUSE (15A)	1	
11	09481-30501	.FUSE (30A)	1	
12	36617-93J00	BRACKET, HARNESS	3	
13	36617-93J10	BRACKET, HARNESS	4	
14	36617-93J20	BRACKET, HARNESS	1	
15	36617-93J30	BRACKET, HARNESS	1	
16	36617-93J40	BRACKET, HARNESS	1	
17	01550-06127	BOLT	11	
18	09403-20308	CLAMP	1	
19	29404-93J10	CLAMP, HARNESS	1	
20	09408-00008	CLIP (ID:20)	1	
21	09408-00184	CLAMP	3	
22	01550-06127	BOLT	1	
23	09408-00008	CLIP (ID:20)	1	
24	01550-06127	BOLT	1	
25	36865-90J00	TERMINAL, MAIN FUSE	2	
26	09251-09002	CAP	2	
27	09481-60401	FUSE (60A)	2	
28	01570-06127	BOLT	2	
29	08310-00067	NUT	2	
30-1	36625-93J10	LEAD, BATTERY	1	OPT L:6500
30-2	36625-93J00	LEAD, BATTERY	1	
31	09481-15501	.FUSE (15A)	1	
32	09407-10404	CLAMP (L:100)	2	

FIG.110

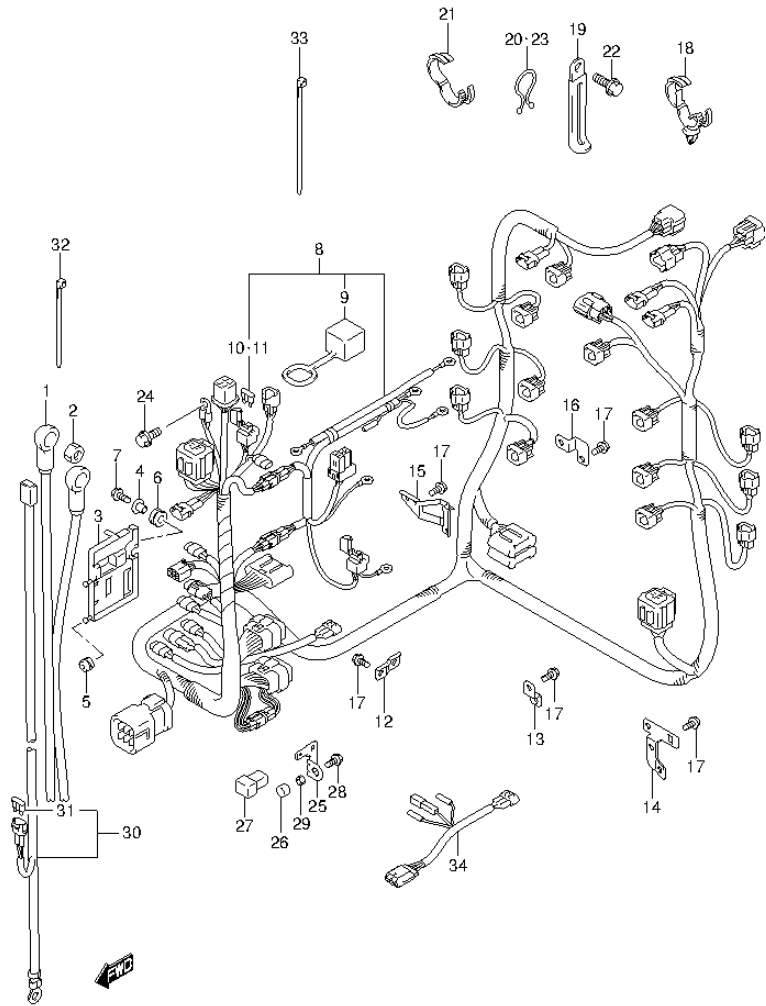


FIG.110 (2-B-9) HARNESS (DF200Z E03)

REF NO.	PART NO.	DESCRIPTION	Q'TY	REMARKS
33	09407-14407	CLAMP (L:145)	1	
34	36647-93J00	LEAD, BATTERY	1	OPT

FIG.111

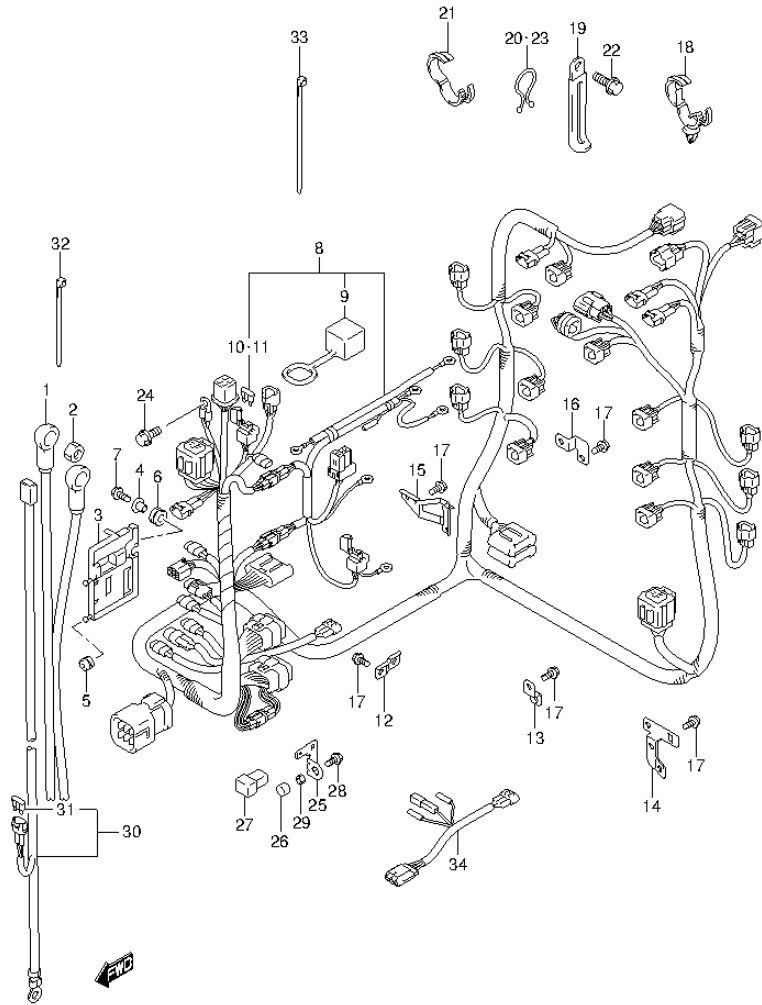


FIG.111 (2-B-10) HARNESS (DF225T E03)

REF NO.	PART NO.	DESCRIPTION	Q'TY	REMARKS
1	33810-93J01	CABLE, STARTER MOTOR	1	L:4000
2	08316-10087	NUT	1	
3	36616-93J01	HOLDER, CONNECTOR	1	
4	09169-06062	WASHER	1	
5	09320-04009	BUSH	2	
6	09320-09016	CUSHION	1	
7	01550-06257	BOLT	1	
8	36610-93JP1	HARNESS ASSY, WIRING	1	
9	33634-96J00	.CAP, SERVICE CONNECTOR	1	
10	09481-15501	.FUSE (15A)	1	
11	09481-30501	.FUSE (30A)	1	
12	36617-93J00	BRACKET, HARNESS	3	
13	36617-93J10	BRACKET, HARNESS	4	
14	36617-93J20	BRACKET, HARNESS	1	
15	36617-93J30	BRACKET, HARNESS	1	
16	36617-93J40	BRACKET, HARNESS	1	
17	01550-06127	BOLT	11	
18	09403-20308	CLAMP	1	
19	29404-93J10	CLAMP, HARNESS	1	
20	09408-00008	CLIP (ID:20)	1	
21	09408-00184	CLAMP	3	
22	01550-06127	BOLT	1	
23	09408-00008	CLIP (ID:20)	1	
24	01550-06127	BOLT	1	
25	36865-90J00	TERMINAL, MAIN FUSE	2	
26	09251-09002	CAP	2	
27	09481-60401	FUSE (60A)	2	
28	01570-06127	BOLT	2	
29	08310-00067	NUT	2	
30-1	36625-93J10	LEAD, BATTERY	1	OPT L:6500
30-2	36625-93J00	LEAD, BATTERY	1	
31	09481-15501	.FUSE (15A)	1	
32	09407-10404	CLAMP (L:100)	2	

FIG.111

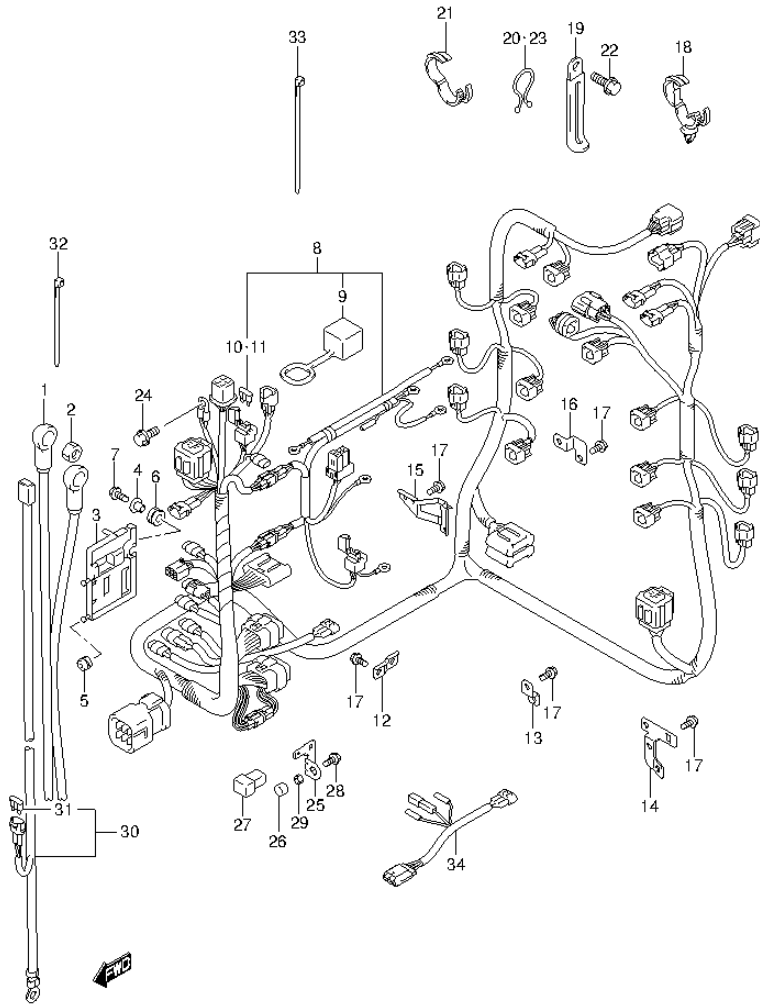


FIG.111 (2-B-11) HARNESS (DF225T E03)

REF NO.	PART NO.	DESCRIPTION	Q'TY	REMARKS
33	09407-14407	CLAMP (L:145)	1	
34	36647-93J00	LEAD, BATTERY	1	OPT

FIG.112

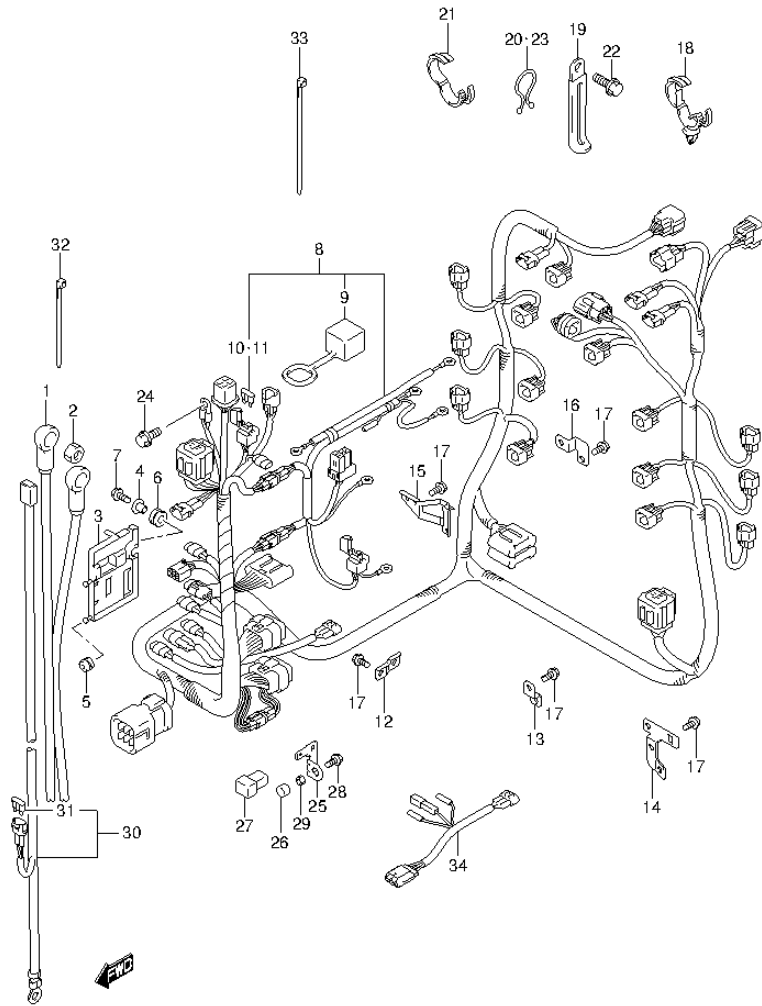


FIG.112 (2-B-12) HARNESS (DF225Z E03)

REF NO.	PART NO.	DESCRIPTION	Q'TY	REMARKS
1	33810-93J01	CABLE, STARTER MOTOR	1	L:4000
2	08316-10087	NUT	1	
3	36616-93J01	HOLDER, CONNECTOR	1	
4	09169-06062	WASHER	1	
5	09320-04009	BUSH	2	
6	09320-09016	CUSHION	1	
7	01550-06257	BOLT	1	
8	36610-93JP1	HARNESS ASSY, WIRING	1	
9	33634-96J00	.CAP, SERVICE CONNECTOR	1	
10	09481-15501	.FUSE (15A)	1	
11	09481-30501	.FUSE (30A)	1	
12	36617-93J00	BRACKET, HARNESS	3	
13	36617-93J10	BRACKET, HARNESS	4	
14	36617-93J20	BRACKET, HARNESS	1	
15	36617-93J30	BRACKET, HARNESS	1	
16	36617-93J40	BRACKET, HARNESS	1	
17	01550-06127	BOLT	11	
18	09403-20308	CLAMP	1	
19	29404-93J10	CLAMP, HARNESS	1	
20	09408-00008	CLIP (ID:20)	1	
21	09408-00184	CLAMP	3	
22	01550-06127	BOLT	1	
23	09408-00008	CLIP (ID:20)	1	
24	01550-06127	BOLT	1	
25	36865-90J00	TERMINAL, MAIN FUSE	2	
26	09251-09002	CAP	2	
27	09481-60401	FUSE (60A)	2	
28	01570-06127	BOLT	2	
29	08310-00067	NUT	2	
30-1	36625-93J10	LEAD, BATTERY	1	OPT L:6500
30-2	36625-93J00	LEAD, BATTERY	1	
31	09481-15501	.FUSE (15A)	1	
32	09407-10404	CLAMP (L:100)	2	

FIG.112

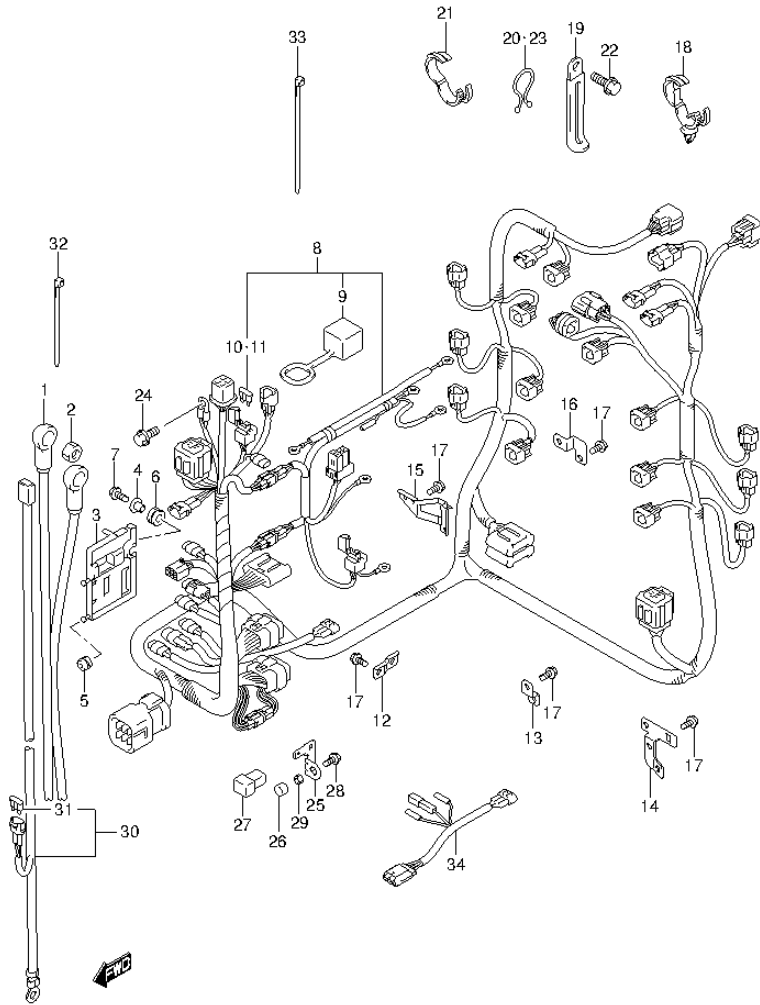


FIG.112 (2-B-13) HARNESS (DF225Z E03)

REF NO.	PART NO.	DESCRIPTION	Q'TY	REMARKS
33	09407-14407	CLAMP (L:145)	1	
34	36647-93J00	LEAD, BATTERY	1	OPT

FIG.113

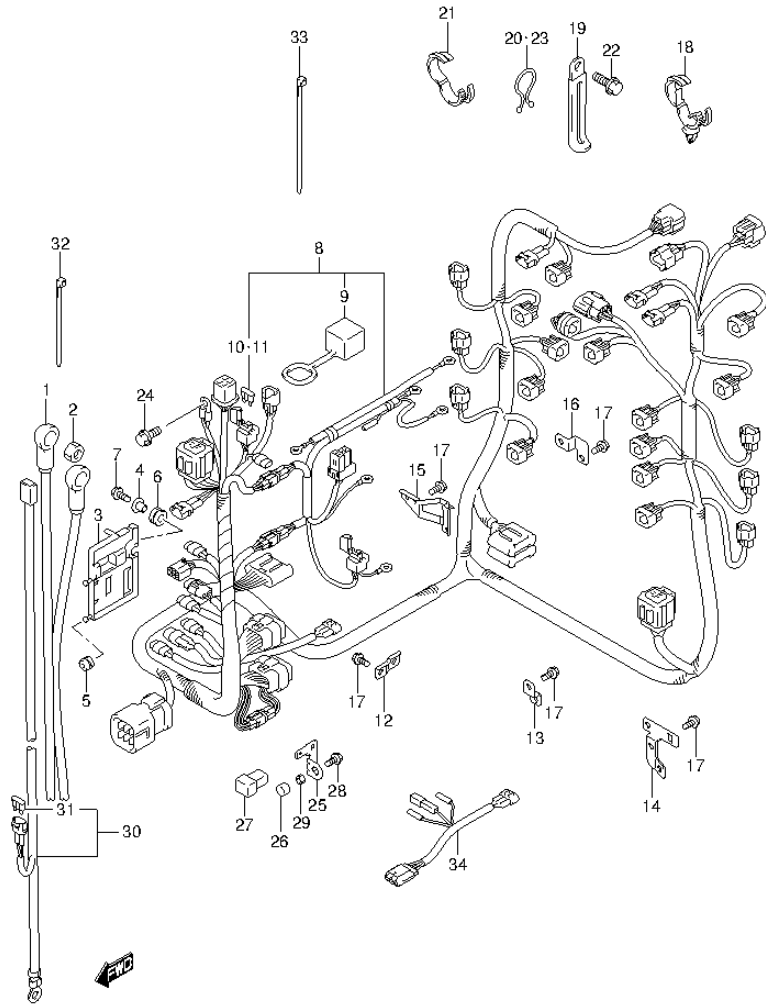


FIG.113 (2-B-14) HARNESS (DF250T E03)

REF NO.	PART NO.	DESCRIPTION	Q'TY	REMARKS
1	33810-93J01	CABLE, STARTER MOTOR	1	L:4000
2	08316-10087	NUT	1	
3	36616-93J01	HOLDER, CONNECTOR	1	
4	09169-06062	WASHER	1	
5	09320-04009	BUSH	2	
6	09320-09016	CUSHION	1	
7	01550-06257	BOLT	1	
8	36610-93JR1	HARNESS ASSY, WIRING	1	
9	33634-96J00	.CAP, SERVICE CONNECTOR	1	
10	09481-15501	.FUSE (15A)	1	
11	09481-30501	.FUSE (30A)	1	
12	36617-93J00	BRACKET, HARNESS	3	
13	36617-93J10	BRACKET, HARNESS	4	
14	36617-93J20	BRACKET, HARNESS	1	
15	36617-93J30	BRACKET, HARNESS	1	
16	36617-93J40	BRACKET, HARNESS	1	
17	01550-06127	BOLT	11	
18	09403-20308	CLAMP	1	
19	29404-93J10	CLAMP, HARNESS	1	
20	09408-00008	CLIP (ID:20)	1	
21	09408-00184	CLAMP	3	
22	01550-06127	BOLT	1	
23	09408-00008	CLIP (ID:20)	1	
24	01550-06127	BOLT	1	
25	36865-90J00	TERMINAL, MAIN FUSE	2	
26	09251-09002	CAP	2	
27	09481-60401	FUSE (60A)	2	
28	01570-06127	BOLT	2	
29	08310-00067	NUT	2	
30-1	36625-93J10	LEAD, BATTERY	1	OPT L:6500
30-2	36625-93J00	LEAD, BATTERY	1	
31	09481-15501	.FUSE (15A)	1	
32	09407-10404	CLAMP (L:100)	2	

FIG.113

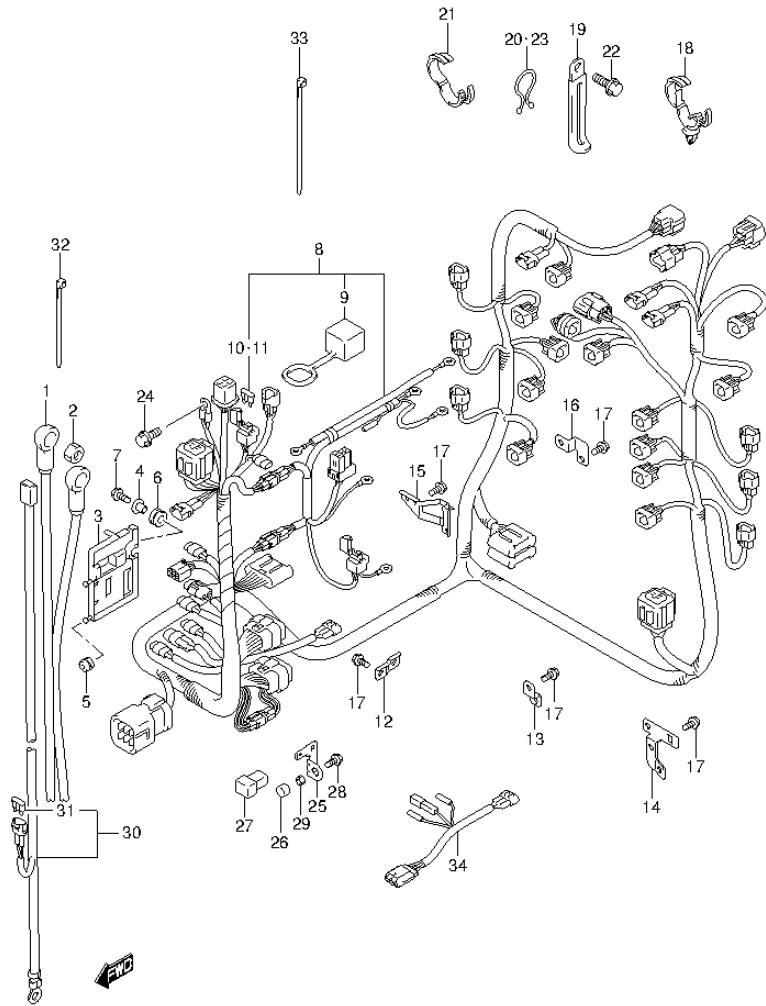


FIG.113 (2-B-15) HARNESS (DF250T E03)

REF NO.	PART NO.	DESCRIPTION	Q'TY	REMARKS
33	09407-14407	CLAMP (L:145)	1	
34	36647-93J00	LEAD, BATTERY	1	OPT

FIG.114

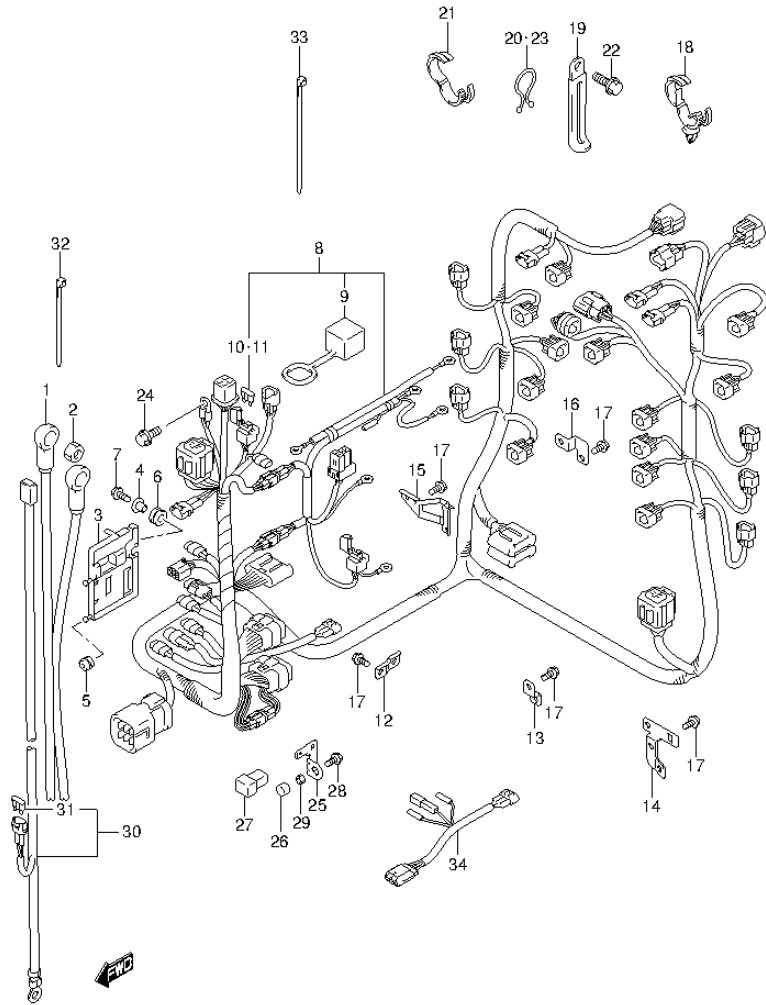


FIG.114 (2-C-2) HARNESS (DF250Z E03)

REF NO.	PART NO.	DESCRIPTION	Q'TY	REMARKS
1	33810-93J01	CABLE, STARTER MOTOR	1	L:4000
2	08316-10087	NUT	1	
3	36616-93J01	HOLDER, CONNECTOR	1	
4	09169-06062	WASHER	1	
5	09320-04009	BUSH	2	
6	09320-09016	CUSHION	1	
7	01550-06257	BOLT	1	
8	36610-93JR1	HARNESS ASSY, WIRING	1	
9	33634-96J00	.CAP, SERVICE CONNECTOR	1	
10	09481-15501	.FUSE (15A)	1	
11	09481-30501	.FUSE (30A)	1	
12	36617-93J00	BRACKET, HARNESS	3	
13	36617-93J10	BRACKET, HARNESS	4	
14	36617-93J20	BRACKET, HARNESS	1	
15	36617-93J30	BRACKET, HARNESS	1	
16	36617-93J40	BRACKET, HARNESS	1	
17	01550-06127	BOLT	11	
18	09403-20308	CLAMP	1	
19	29404-93J10	CLAMP, HARNESS	1	
20	09408-00008	CLIP (ID:20)	1	
21	09408-00184	CLAMP	3	
22	01550-06127	BOLT	1	
23	09408-00008	CLIP (ID:20)	1	
24	01550-06127	BOLT	1	
25	36865-90J00	TERMINAL, MAIN FUSE	2	
26	09251-09002	CAP	2	
27	09481-60401	FUSE (60A)	2	
28	01570-06127	BOLT	2	
29	08310-00067	NUT	2	
30-1	36625-93J10	LEAD, BATTERY	1	OPT L:6500
30-2	36625-93J00	LEAD, BATTERY	1	
31	09481-15501	.FUSE (15A)	1	
32	09407-10404	CLAMP (L:100)	2	

FIG.114

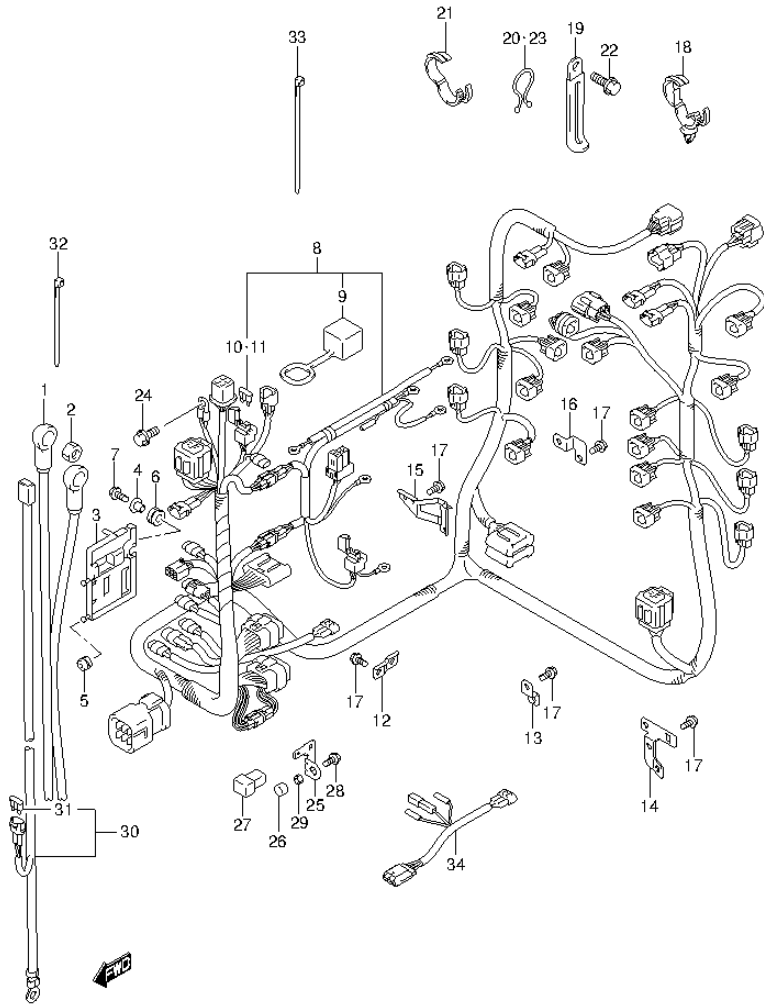


FIG.114 (2-C-3) HARNESS (DF250Z E03)

REF NO.	PART NO.	DESCRIPTION	Q'TY	REMARKS
33	09407-14407	CLAMP (L:145)	1	
34	36647-93J00	LEAD, BATTERY	1	OPT

FIG.115

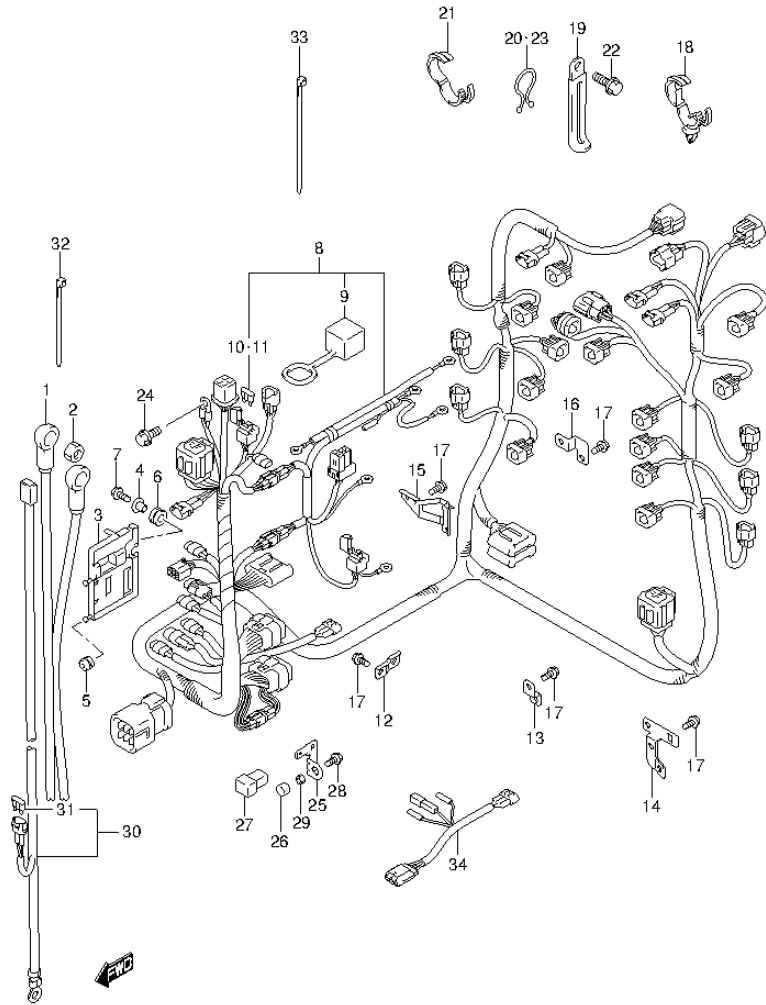


FIG.115 (2-C-4) HARNESS (DF250ST E03)

REF NO.	PART NO.	DESCRIPTION	Q'TY	REMARKS
1	33810-93J01	CABLE, STARTER MOTOR	1	L:4000
2	08316-10087	NUT	1	
3	36616-93J01	HOLDER, CONNECTOR	1	
4	09169-06062	WASHER	1	
5	09320-04009	BUSH	2	
6	09320-09016	CUSHION	1	
7	01550-06257	BOLT	1	
8	36610-93JM1	HARNESS ASSY, WIRING	1	
9	33634-96J00	.CAP, SERVICE CONNECTOR	1	
10	09481-15501	.FUSE (15A)	1	
11	09481-30501	.FUSE (30A)	1	
12	36617-93J00	BRACKET, HARNESS	3	
13	36617-93J10	BRACKET, HARNESS	6	
14	36617-93J20	BRACKET, HARNESS	1	
15	36617-93J30	BRACKET, HARNESS	1	
16	36617-93J40	BRACKET, HARNESS	1	
17	01550-06127	BOLT	13	
18	09403-20308	CLAMP	1	
19	29404-93J10	CLAMP, HARNESS	1	
20	09408-00008	CLIP (ID:20)	1	
21	09408-00184	CLAMP	3	
22	01550-06127	BOLT	1	
23	09408-00008	CLIP (ID:20)	1	
24	01550-06127	BOLT	1	
25	36865-90J00	TERMINAL, MAIN FUSE	2	
26	09251-09002	CAP	2	
27	09481-60401	FUSE (60A)	2	
28	01570-06127	BOLT	2	
29	08310-00067	NUT	2	
30-1	36625-93J10	LEAD, BATTERY	1	OPT L:6500
30-2	36625-93J00	LEAD, BATTERY	1	
31	09481-15501	.FUSE (15A)	1	
32	09407-10404	CLAMP (L:100)	2	

FIG.115

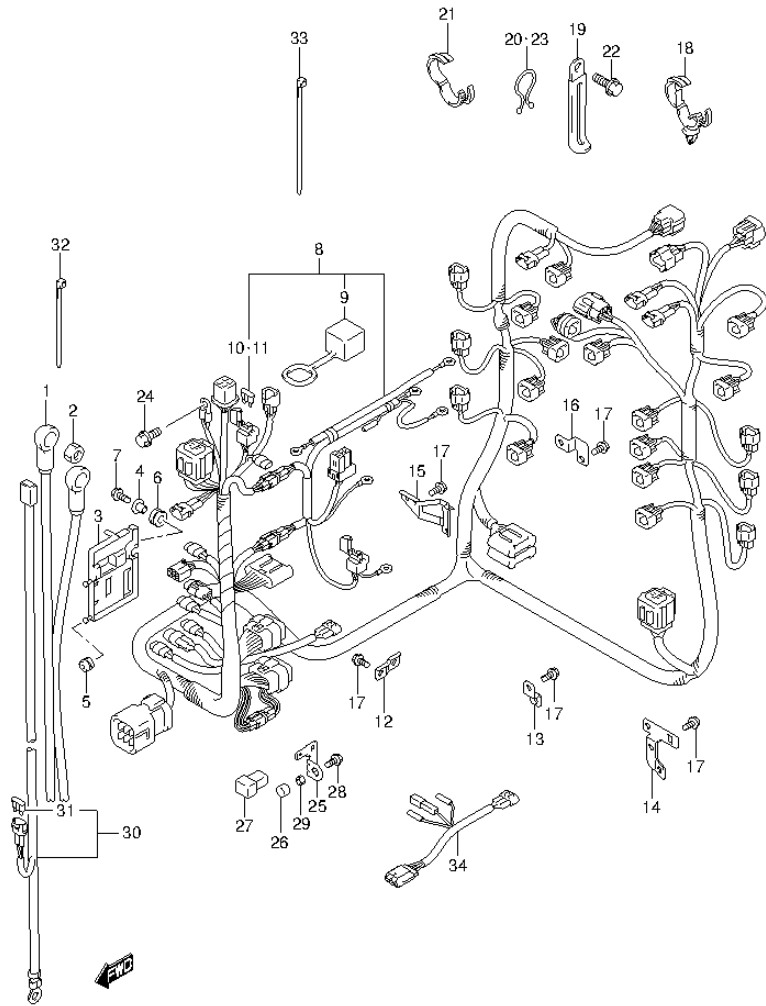


FIG.115 (2-C-5) HARNESS (DF250ST E03)

REF NO.	PART NO.	DESCRIPTION	Q'TY	REMARKS
33	09407-14407	CLAMP (L:145)	1	
34	36647-93J00	LEAD, BATTERY	1	OPT

FIG.116

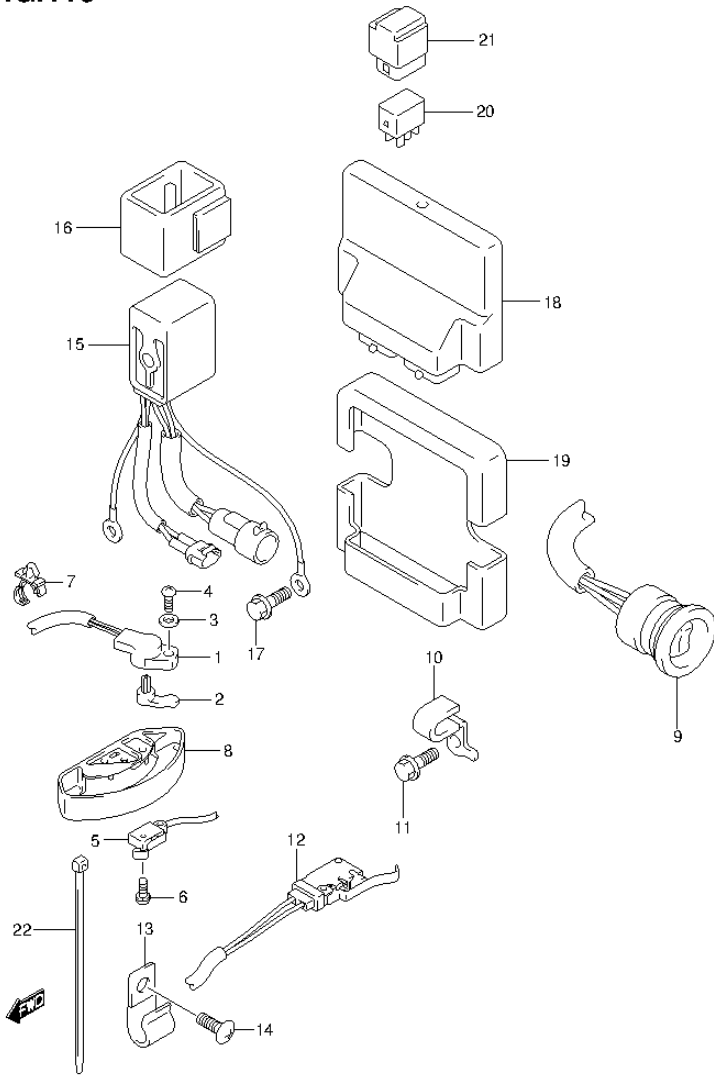


FIG.116 (2-C-6) PTT SWITCH/ENGINE CONTROL UNIT (DF200T E03)

REF NO.	PART NO.	DESCRIPTION	Q'TY	REMARKS
1	13580-93J02	SENSOR ASSY, SHIFT POSITION	1	
2	37729-93J00	LEVER, SHIFT SENSOR	1	
3	09160-05029	WASHER (5.5X12X0.8)	1	
4	02112-35167	SCREW	1	
5	37721-93J00	SWITCH ASSY, NEUTRAL	1	
6	09137-04004	SCREW (4X16)	2	
7	09403-12412	CLAMP	1	
8	37725-93J11	COVER, SWITCH ASSY	1	
9	37850-99E04	SWITCH ASSY, PTT	1	
10	09403-11315	CLAMP	1	
11	01550-06127	BOLT	1	
12	37722-93J11	SWITCH ASSY, TILT LIMIT	1	
13	09403-09316	CLAMP	1	W/TRANSOM(X)
14	29125-93J00	SCREW, TILT LIMIT CLAMP (6X12)	1	W/TRANSOM(X)
15	38410-93J12	RELAY, PTT	1	
16	38415-93J00	HOLDER, PTT RELAY	1	
17	01550-06127	BOLT	1	
18	33920-93JJ0	UNIT, ENGINE CONTROL	1	
19	33925-93J00	CUSHION, ENGINE CONTROL UNIT	1	
20	38860-76F01	RELAY, ENGINE CONTROL UNIT	1	
21	38915-90J00	HOLDER, RELAY	1	
22	09407-14407	CLAMP (L:145)	1	W/TRANSOM(L)

FIG.117

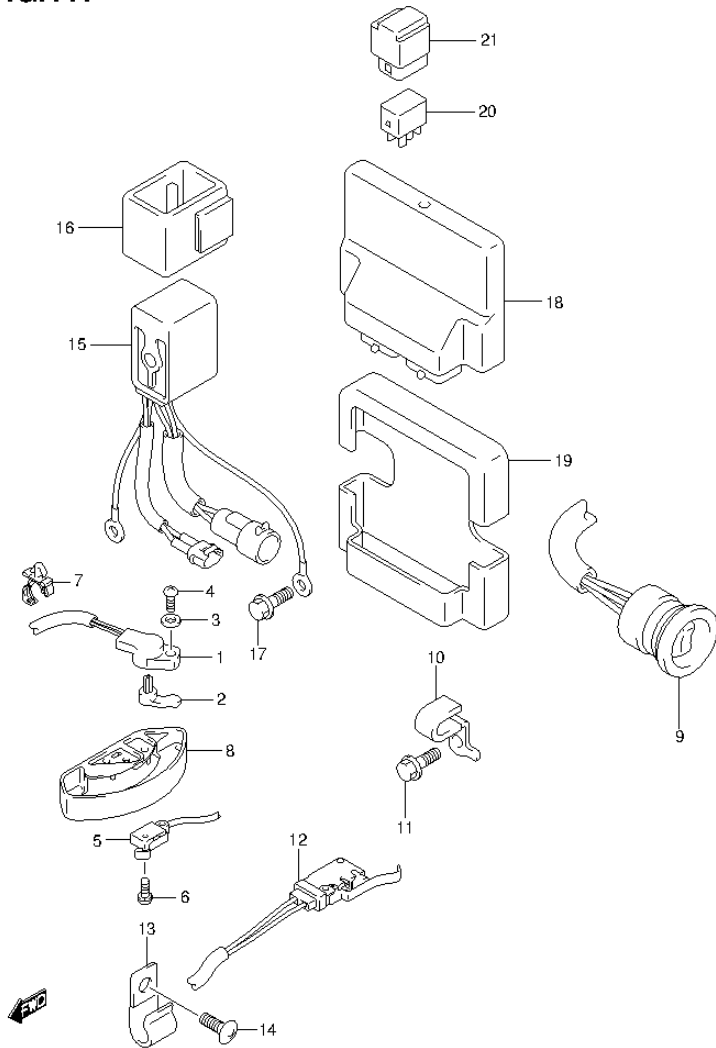


FIG.117 (2-C-7) PTT SWITCH/ENGINE CONTROL UNIT (DF200Z E03)

REF NO.	PART NO.	DESCRIPTION	Q'TY	REMARKS
1	13580-93J02	SENSOR ASSY, SHIFT POSITION	1	
2	37729-93J00	LEVER, SHIFT SENSOR	1	
3	09160-05029	WASHER (5.5X12X0.8)	1	
4	02112-35167	SCREW	1	
5	37721-93J00	SWITCH ASSY, NEUTRAL	1	
6	09137-04004	SCREW (4X16)	2	
7	09403-12412	CLAMP	1	
8	37725-93J11	COVER, SWITCH ASSY	1	
9	37850-99E04	SWITCH ASSY, PTT	1	
10	09403-11315	CLAMP	1	
11	01550-06127	BOLT	1	
12	37722-93J11	SWITCH ASSY, TILT LIMIT	1	
13	09403-09316	CLAMP	1	
14	29125-93J00	SCREW, TILT LIMIT CLAMP (6X12)	1	
15	38410-93J12	RELAY, PTT	1	
16	38415-93J00	HOLDER, PTT RELAY	1	
17	01550-06127	BOLT	1	
18	33920-93JJ0	UNIT, ENGINE CONTROL	1	
19	33925-93J00	CUSHION, ENGINE CONTROL UNIT	1	
20	38860-76F01	RELAY, ENGINE CONTROL UNIT	1	
21	38915-90J00	HOLDER, RELAY	1	

FIG.118

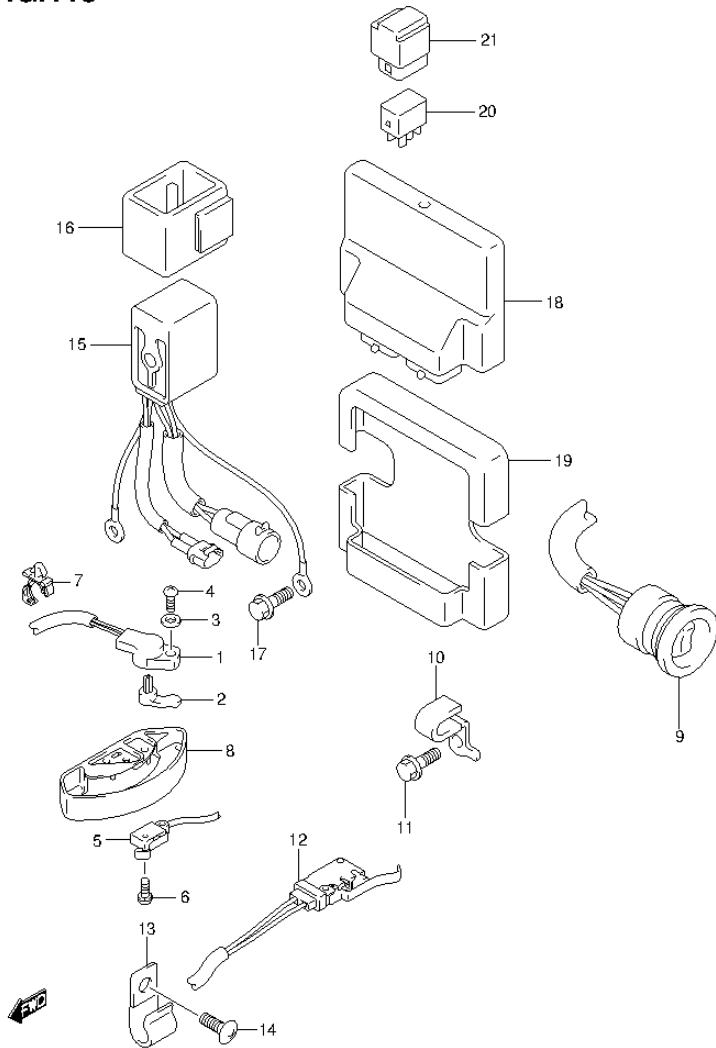


FIG.118 (2-C-8) PTT SWITCH/ENGINE CONTROL UNIT (DF225T E03)

REF NO.	PART NO.	DESCRIPTION	Q'TY	REMARKS
1	13580-93J02	SENSOR ASSY, SHIFT POSITION	1	
2	37729-93J00	LEVER, SHIFT SENSOR	1	
3	09160-05029	WASHER (5.5X12X0.8)	1	
4	02112-35167	SCREW	1	
5	37721-93J00	SWITCH ASSY, NEUTRAL	1	
6	09137-04004	SCREW (4X16)	2	
7	09403-12412	CLAMP	1	
8	37725-93J11	COVER, SWITCH ASSY	1	
9	37850-99E04	SWITCH ASSY, PTT	1	
10	09403-11315	CLAMP	1	
11	01550-06127	BOLT	1	
12	37722-93J11	SWITCH ASSY, TILT LIMIT	1	
13	09403-09316	CLAMP	1	W/TRANSOM(X.XX)
14	29125-93J00	SCREW, TILT LIMIT CLAMP (6X12)	1	W/TRANSOM(X.XX)
15	38410-93J12	RELAY, PTT	1	
16	38415-93J00	HOLDER, PTT RELAY	1	
17	01550-06127	BOLT	1	
18	33920-93JJ0	UNIT, ENGINE CONTROL	1	
19	33925-93J00	CUSHION, ENGINE CONTROL UNIT	1	
20	38860-76F01	RELAY, ENGINE CONTROL UNIT	1	
21	38915-90J00	HOLDER, RELAY	1	

FIG.119

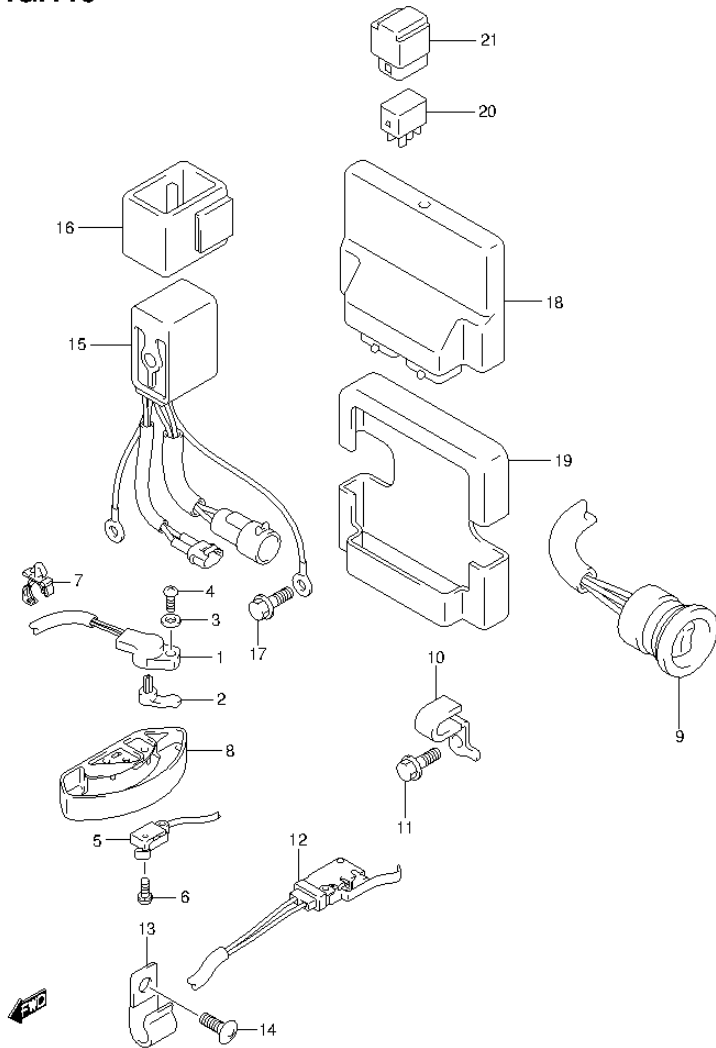


FIG.119 (2-C-9) PTT SWITCH/ENGINE CONTROL UNIT (DF225Z E03)

REF NO.	PART NO.	DESCRIPTION	Q'TY	REMARKS
1	13580-93J02	SENSOR ASSY, SHIFT POSITION	1	
2	37729-93J00	LEVER, SHIFT SENSOR	1	
3	09160-05029	WASHER (5.5X12X0.8)	1	
4	02112-35167	SCREW	1	
5	37721-93J00	SWITCH ASSY, NEUTRAL	1	
6	09137-04004	SCREW (4X16)	2	
7	09403-12412	CLAMP	1	
8	37725-93J11	COVER, SWITCH ASSY	1	
9	37850-99E04	SWITCH ASSY, PTT	1	
10	09403-11315	CLAMP	1	
11	01550-06127	BOLT	1	
12	37722-93J11	SWITCH ASSY, TILT LIMIT	1	
13	09403-09316	CLAMP	1	W/TRANSOM(X.XX)
14	29125-93J00	SCREW, TILT LIMIT CLAMP (6X12)	1	W/TRANSOM(X.XX)
15	38410-93J12	RELAY, PTT	1	
16	38415-93J00	HOLDER, PTT RELAY	1	
17	01550-06127	BOLT	1	
18	33920-93JJ0	UNIT, ENGINE CONTROL	1	
19	33925-93J00	CUSHION, ENGINE CONTROL UNIT	1	
20	38860-76F01	RELAY, ENGINE CONTROL UNIT	1	
21	38915-90J00	HOLDER, RELAY	1	

FIG.120

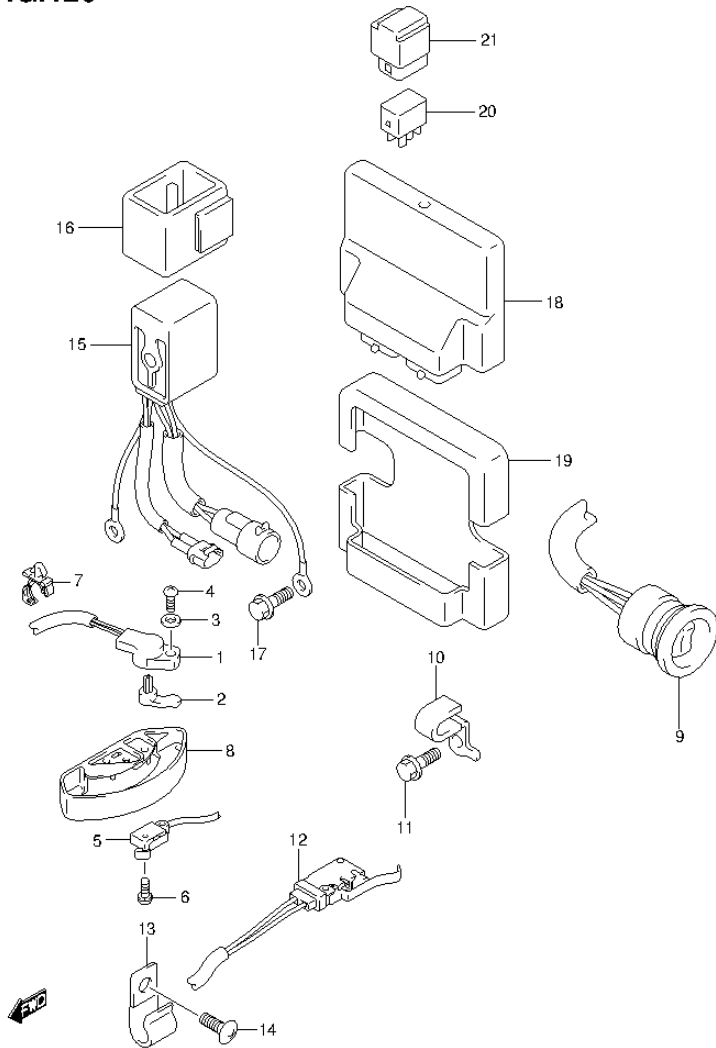


FIG.120 (2-C-10) PTT SWITCH/ENGINE CONTROL UNIT (DF250T E03)

REF NO.	PART NO.	DESCRIPTION	Q'TY	REMARKS
1	13580-93J02	SENSOR ASSY, SHIFT POSITION	1	
2	37729-93J00	LEVER, SHIFT SENSOR	1	
3	09160-05029	WASHER (5.5X12X0.8)	1	
4	02112-35167	SCREW	1	
5	37721-93J00	SWITCH ASSY, NEUTRAL	1	
6	09137-04004	SCREW (4X16)	2	
7	09403-12412	CLAMP	1	
8	37725-93J11	COVER, SWITCH ASSY	1	
9	37850-99E04	SWITCH ASSY, PTT	1	
10	09403-11315	CLAMP	1	
11	01550-06127	BOLT	1	
12	37722-93J11	SWITCH ASSY, TILT LIMIT	1	
13	09403-09316	CLAMP	1	W/TRANSOM(X.XX)
14	29125-93J00	SCREW, TILT LIMIT CLAMP (6X12)	1	W/TRANSOM(X.XX)
15	38410-93J12	RELAY, PTT	1	
16	38415-93J00	HOLDER, PTT RELAY	1	
17	01550-06127	BOLT	1	
18	33920-93JJ0	UNIT, ENGINE CONTROL	1	
19	33925-93J00	CUSHION, ENGINE CONTROL UNIT	1	
20	38860-76F01	RELAY, ENGINE CONTROL UNIT	1	
21	38915-90J00	HOLDER, RELAY	1	

FIG.121

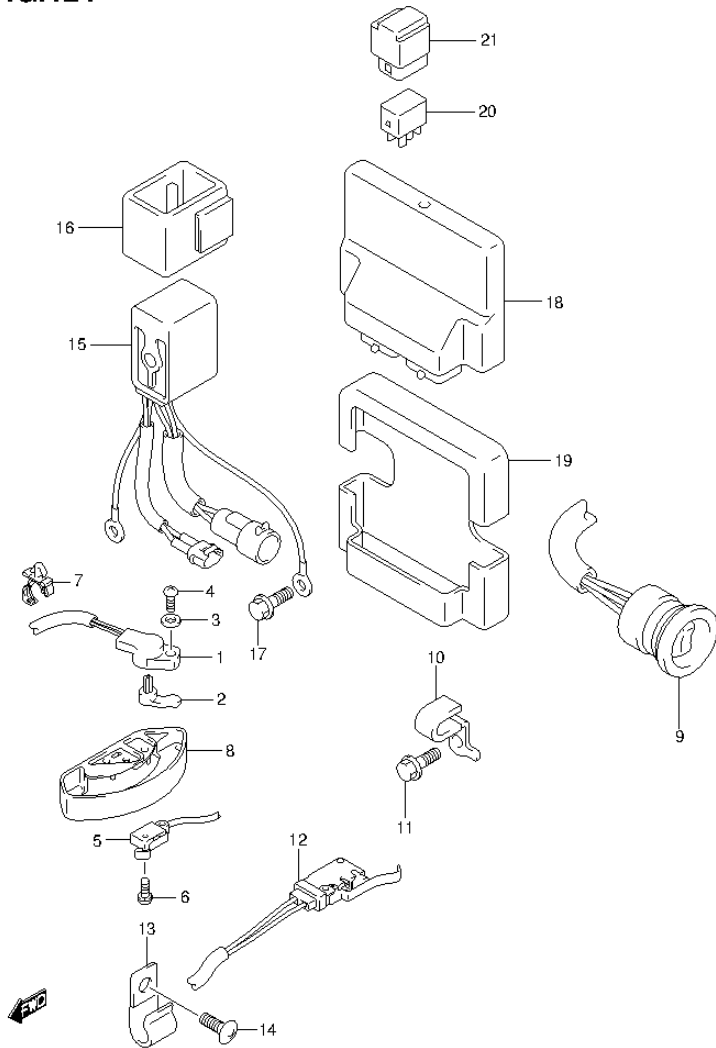


FIG.121 (2-C-11) PTT SWITCH/ENGINE CONTROL UNIT (DF250Z E03)

REF NO.	PART NO.	DESCRIPTION	Q'TY	REMARKS
1	13580-93J02	SENSOR ASSY, SHIFT POSITION	1	
2	37729-93J00	LEVER, SHIFT SENSOR	1	
3	09160-05029	WASHER (5.5X12X0.8)	1	
4	02112-35167	SCREW	1	
5	37721-93J00	SWITCH ASSY, NEUTRAL	1	
6	09137-04004	SCREW (4X16)	2	
7	09403-12412	CLAMP	1	
8	37725-93J11	COVER, SWITCH ASSY	1	
9	37850-99E04	SWITCH ASSY, PTT	1	
10	09403-11315	CLAMP	1	
11	01550-06127	BOLT	1	
12	37722-93J11	SWITCH ASSY, TILT LIMIT	1	
13	09403-09316	CLAMP	1	W/TRANSOM(X.XX)
14	29125-93J00	SCREW, TILT LIMIT CLAMP (6X12)	1	W/TRANSOM(X.XX)
15	38410-93J12	RELAY, PTT	1	
16	38415-93J00	HOLDER, PTT RELAY	1	
17	01550-06127	BOLT	1	
18	33920-93JJ0	UNIT, ENGINE CONTROL	1	
19	33925-93J00	CUSHION, ENGINE CONTROL UNIT	1	
20	38860-76F01	RELAY, ENGINE CONTROL UNIT	1	
21	38915-90J00	HOLDER, RELAY	1	

FIG.122

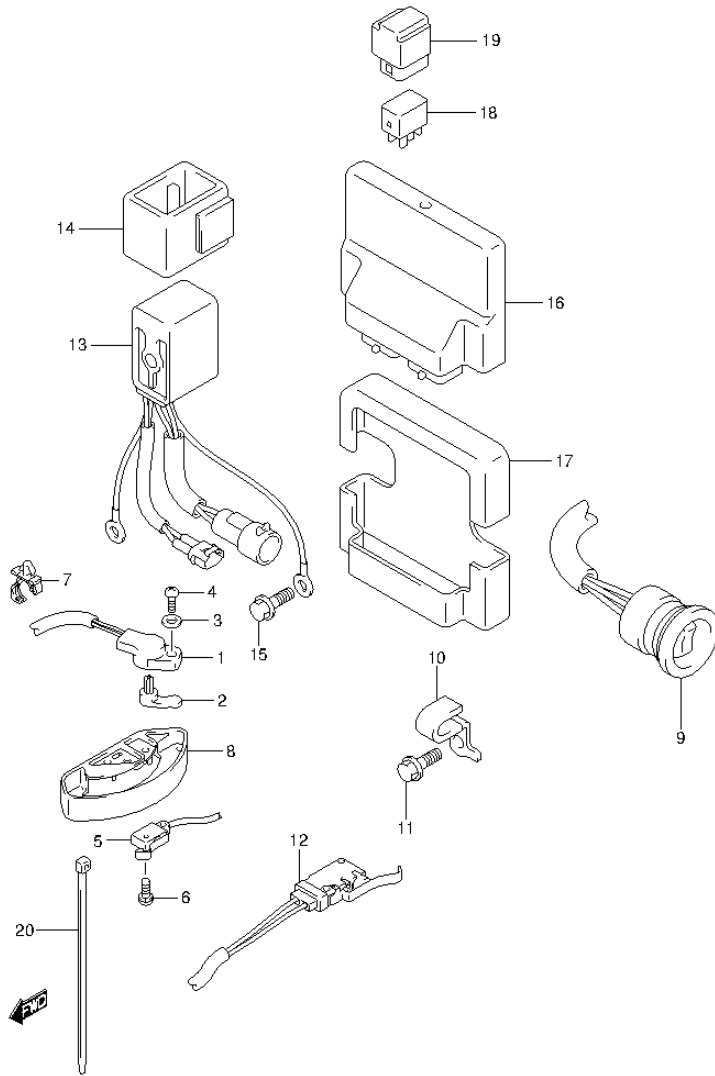


FIG.122 (2-C-12) PTT SWITCH/ENGINE CONTROL UNIT (DF250ST E03)

REF NO.	PART NO.	DESCRIPTION	Q'TY	REMARKS
1	13580-93J02	SENSOR ASSY, SHIFT POSITION	1	
2	37729-93J00	LEVER, SHIFT SENSOR	1	
3	09160-05029	WASHER (5.5X12X0.8)	1	
4	02112-35167	SCREW	1	
5	37721-93J00	SWITCH ASSY, NEUTRAL	1	
6	09137-04004	SCREW (4X16)	2	
7	09403-12412	CLAMP	1	
8	37725-93J11	COVER, SWITCH ASSY	1	
9	37850-99E04	SWITCH ASSY, PTT	1	
10	09403-11315	CLAMP	1	
11	01550-06127	BOLT	1	
12	37722-93J11	SWITCH ASSY, TILT LIMIT	1	
13	38410-93J12	RELAY, PTT	1	
14	38415-93J00	HOLDER, PTT RELAY	1	
15	01550-06127	BOLT	1	
16	33920-93JH0	UNIT, ENGINE CONTROL	1	
17	33925-93J00	CUSHION, ENGINE CONTROL UNIT	1	
18	38860-76F01	RELAY, ENGINE CONTROL UNIT	1	
19	38915-90J00	HOLDER, RELAY	1	
20	09407-14407	CLAMP (L:145)	1	

FIG.123

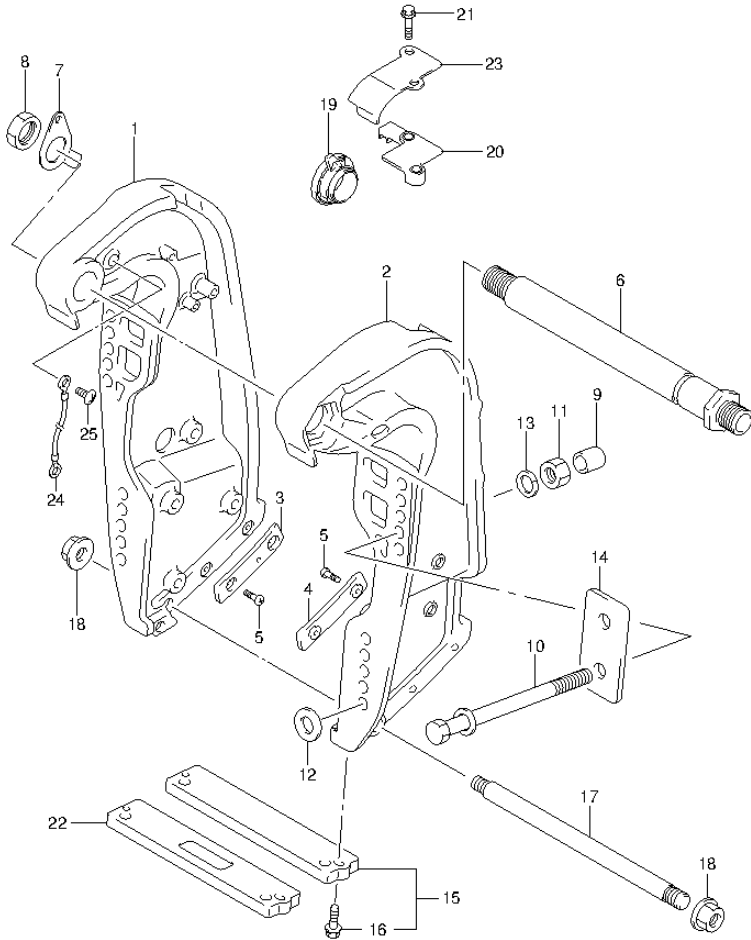


FIG.123 (2-C-13) CLAMP BRACKET TRANSOM(X) (DF200T E03)

REF NO.	PART NO.	DESCRIPTION	Q'TY	REMARKS
1	41111-93J14-0EP	BRACKET, CLAMP STBD (BLACK)	1	
2	41121-93J06-0EP	BRACKET, CLAMP PORT (BLACK)	1	
3	41117-93J01	PLATE, CLAMP BRKT LOWER STBD	1	
4	41122-93J01	PLATE, CLAMP BRKT LOWER PORT	1	
5	09125-06063	SCREW (6X10)	4	
6	41130-93J12	SHAFT, CLAMP BRKT	1	
7	41135-93J11	WASHER, CLAMP BRACKET SHAFT	1	
8	09159-22006	NUT	1	
9	41153-93J00	CAP, TRANSOM BOLT	6	
10-1	09100-12092	BOLT (12X75)	1	OPT
10-2	09100-12086	BOLT (12X150)	6	
10-3	09100-12085	BOLT (12.7X115)	1	OPT
11	09159-12062	NUT	6	
12	09160-13017	WASHER (13.2X45X5)	4	
13	09160-13016	WASHER (13.2X26X3)	6	
14	41155-93J02	PLATE, TRANSOM	2	
15	55320-94900	ZINC SET, PROTECTION	1	
16	09116-06121	.BOLT (6X25)	2	
17	45421-87D02	PIN, TILT LOCK	1	
18	09159-14020	NUT	2	
19	48140-93J01	CAM, TILT LIMIT SWITCH	1	
20	48144-93J00	HOLDER, TILT LIMIT SWITCH	1	
21	09103-06278	BOLT (6X25)	2	
22	55321-94910	ANODE (MAGNESIUM)	1	OPT
23	48145-93J00	COVER, TILT LIMIT SWITCH	1	
24	36894-87D00	LEAD (CLAMP TO SWIVEL)	1	
25	09125-06063	SCREW (6X10)	2	

FIG.124

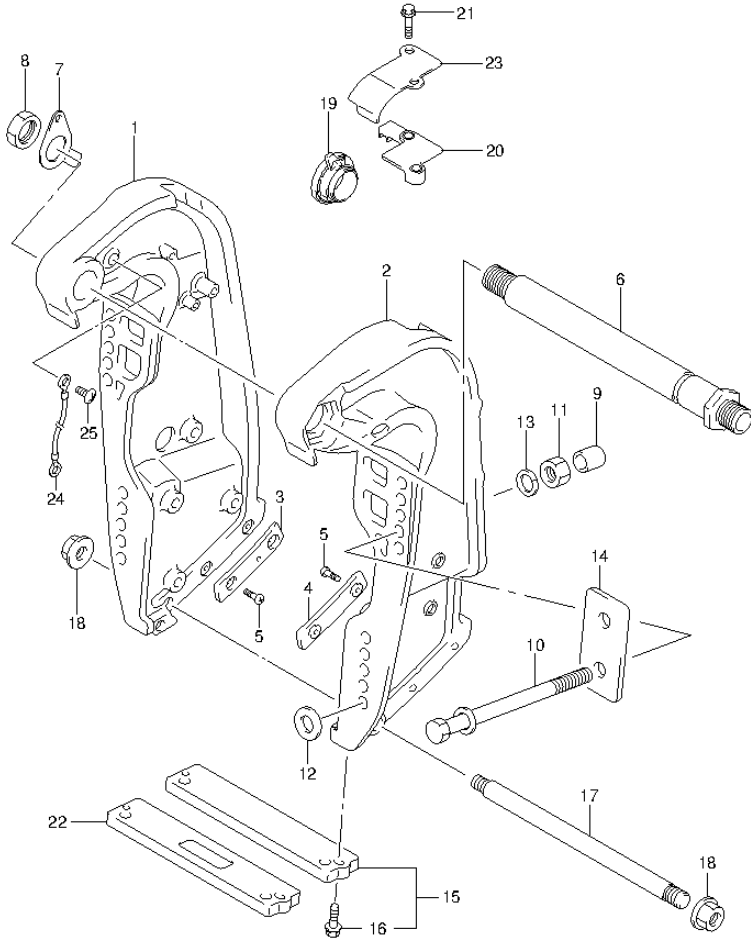


FIG.124 (2-C-14) CLAMP BRACKET TRANSOM(X) (DF200Z E03)

REF NO.	PART NO.	DESCRIPTION	Q'TY	REMARKS
1	41111-93J14-0EP	BRACKET, CLAMP STBD (BLACK)	1	
2	41121-93J06-0EP	BRACKET, CLAMP PORT (BLACK)	1	
3	41117-93J01	PLATE, CLAMP BRKT LOWER STBD	1	
4	41122-93J01	PLATE, CLAMP BRKT LOWER PORT	1	
5	09125-06063	SCREW (6X10)	4	
6	41130-93J12	SHAFT, CLAMP BRKT	1	
7	41135-93J11	WASHER, CLAMP BRACKET SHAFT	1	
8	09159-22006	NUT	1	
9	41153-93J00	CAP, TRANSOM BOLT	6	
10-1	09100-12092	BOLT (12X75)	1	OPT
10-2	09100-12086	BOLT (12X150)	6	
10-3	09100-12085	BOLT (12.7X115)	1	OPT
11	09159-12062	NUT	6	
12	09160-13017	WASHER (13.2X45X5)	4	
13	09160-13016	WASHER (13.2X26X3)	6	
14	41155-93J02	PLATE, TRANSOM	2	
15	55320-94900	ZINC SET, PROTECTION	1	
16	09116-06121	.BOLT (6X25)	2	
17	45421-87D02	PIN, TILT LOCK	1	
18	09159-14020	NUT	2	
19	48140-93J01	CAM, TILT LIMIT SWITCH	1	
20	48144-93J00	HOLDER, TILT LIMIT SWITCH	1	
21	09103-06278	BOLT (6X25)	2	
22	55321-94910	ANODE (MAGNESIUM)	1	OPT
23	48145-93J00	COVER, TILT LIMIT SWITCH	1	
24	36894-87D00	LEAD (CLAMP TO SWIVEL)	1	
25	09125-06063	SCREW (6X10)	2	

FIG.125

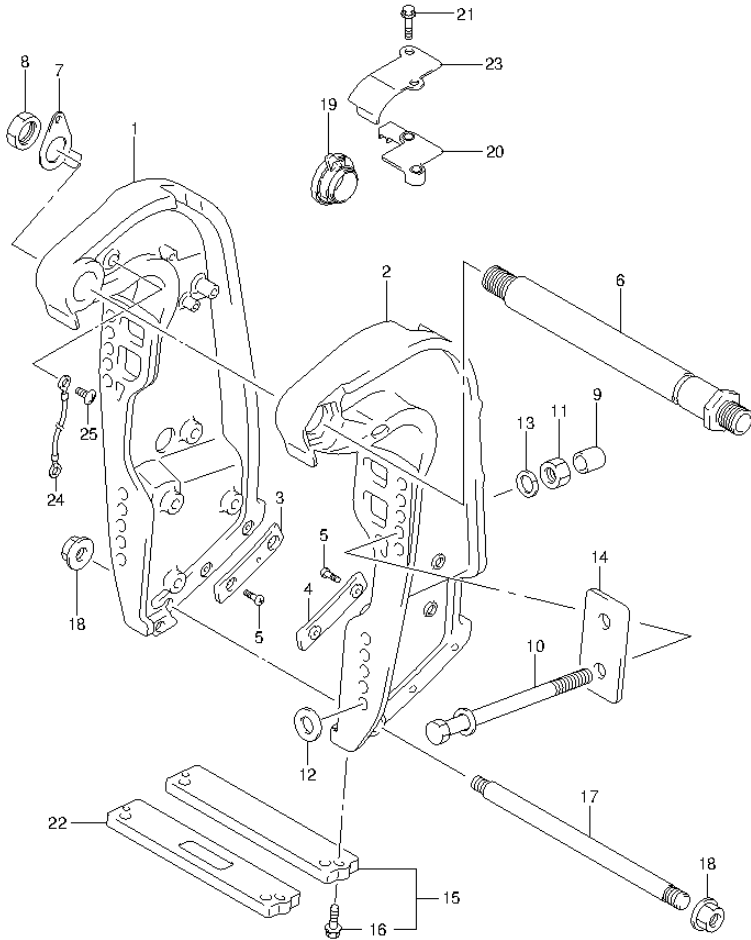


FIG.125 (2-C-15) CLAMP BRACKET TRANSOM(X,XX) (DF225T E03)

REF NO.	PART NO.	DESCRIPTION	Q'TY	REMARKS
1	41111-93J14-0EP	BRACKET, CLAMP STBD (BLACK)	1	
2	41121-93J06-0EP	BRACKET, CLAMP PORT (BLACK)	1	
3	41117-93J01	PLATE, CLAMP BRKT LOWER STBD	1	
4	41122-93J01	PLATE, CLAMP BRKT LOWER PORT	1	
5	09125-06063	SCREW (6X10)	4	
6	41130-93J12	SHAFT, CLAMP BRKT	1	
7	41135-93J11	WASHER, CLAMP BRACKET SHAFT	1	
8	09159-22006	NUT	1	
9	41153-93J00	CAP, TRANSOM BOLT	6	
10-1	09100-12092	BOLT (12X75)	1	OPT
10-2	09100-12086	BOLT (12X150)	6	
10-3	09100-12085	BOLT (12.7X115)	1	OPT
11	09159-12062	NUT	6	
12	09160-13017	WASHER (13.2X45X5)	4	
13	09160-13016	WASHER (13.2X26X3)	6	
14	41155-93J02	PLATE, TRANSOM	2	
15	55320-94900	ZINC SET, PROTECTION	1	
16	09116-06121	.BOLT (6X25)	2	
17	45421-87D02	PIN, TILT LOCK	1	
18	09159-14020	NUT	2	
19	48140-93J01	CAM, TILT LIMIT SWITCH	1	
20	48144-93J00	HOLDER, TILT LIMIT SWITCH	1	
21	09103-06278	BOLT (6X25)	2	
22	55321-94910	ANODE (MAGNESIUM)	1	OPT
23	48145-93J00	COVER, TILT LIMIT SWITCH	1	
24	36894-87D00	LEAD (CLAMP TO SWIVEL)	1	
25	09125-06063	SCREW (6X10)	2	

FIG.126

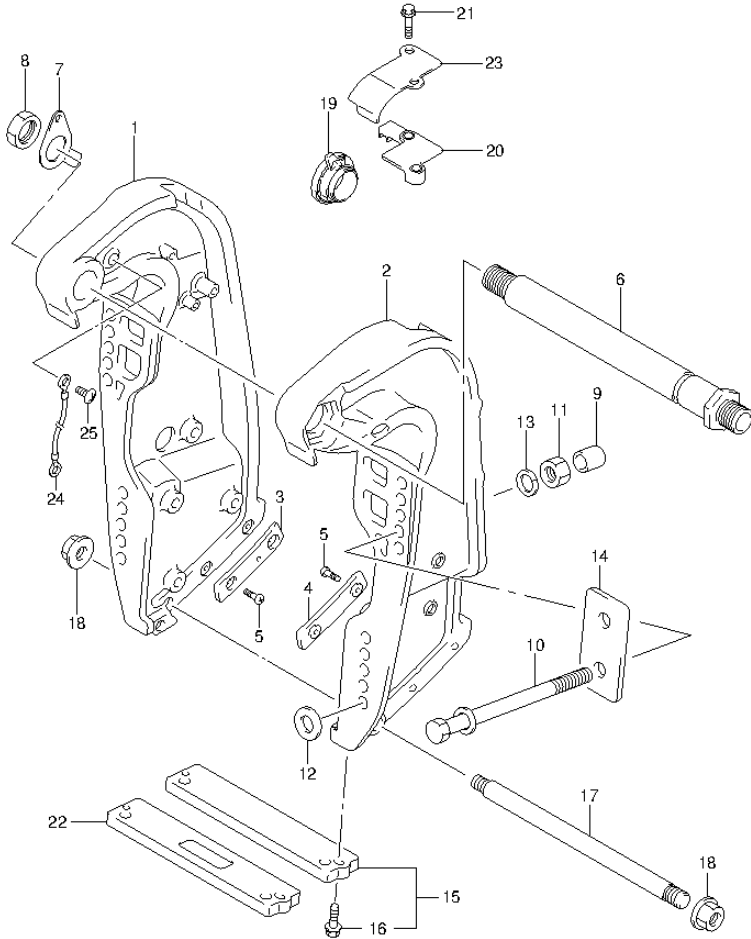


FIG.126 (2-D-2) CLAMP BRACKET TRANSOM(X,XX) (DF225Z E03)

REF NO.	PART NO.	DESCRIPTION	Q'TY	REMARKS
1	41111-93J14-0EP	BRACKET, CLAMP STBD (BLACK)	1	
2	41121-93J06-0EP	BRACKET, CLAMP PORT (BLACK)	1	
3	41117-93J01	PLATE, CLAMP BRKT LOWER STBD	1	
4	41122-93J01	PLATE, CLAMP BRKT LOWER PORT	1	
5	09125-06063	SCREW (6X10)	4	
6	41130-93J12	SHAFT, CLAMP BRKT	1	
7	41135-93J11	WASHER, CLAMP BRACKET SHAFT	1	
8	09159-22006	NUT	1	
9	41153-93J00	CAP, TRANSOM BOLT	6	
10-1	09100-12092	BOLT (12X75)	1	OPT
10-2	09100-12086	BOLT (12X150)	6	
10-3	09100-12085	BOLT (12.7X115)	1	OPT
11	09159-12062	NUT	6	
12	09160-13017	WASHER (13.2X45X5)	4	
13	09160-13016	WASHER (13.2X26X3)	6	
14	41155-93J02	PLATE, TRANSOM	2	
15	55320-94900	ZINC SET, PROTECTION	1	
16	09116-06121	.BOLT (6X25)	2	
17	45421-87D02	PIN, TILT LOCK	1	
18	09159-14020	NUT	2	
19	48140-93J01	CAM, TILT LIMIT SWITCH	1	
20	48144-93J00	HOLDER, TILT LIMIT SWITCH	1	
21	09103-06278	BOLT (6X25)	2	
22	55321-94910	ANODE (MAGNESIUM)	1	OPT
23	48145-93J00	COVER, TILT LIMIT SWITCH	1	
24	36894-87D00	LEAD (CLAMP TO SWIVEL)	1	
25	09125-06063	SCREW (6X10)	2	

FIG.127

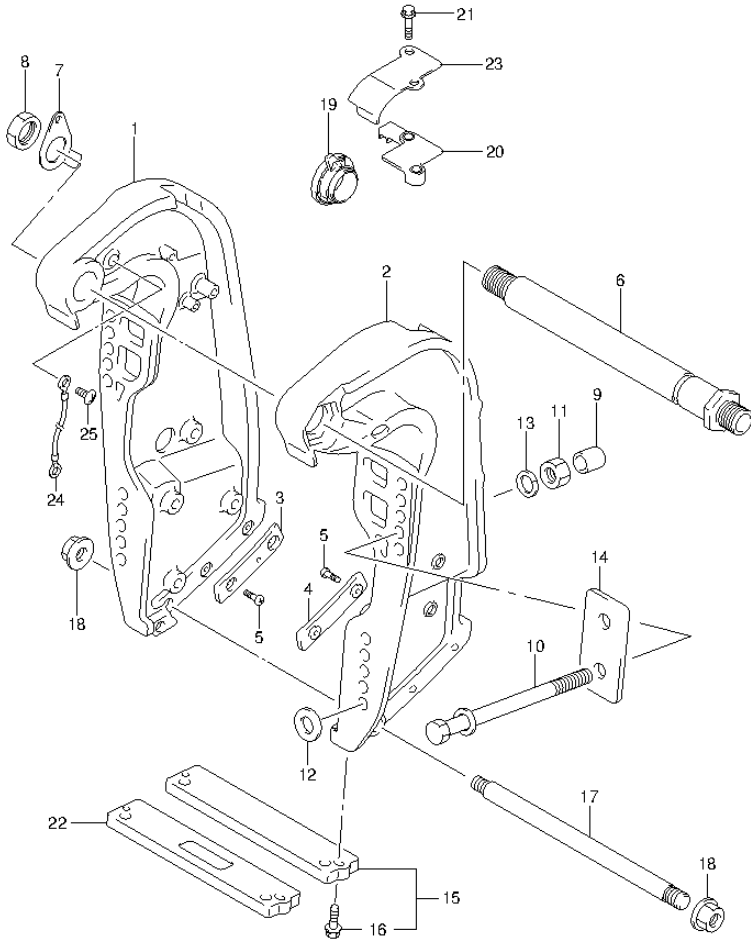


FIG.127 (2-D-3) CLAMP BRACKET TRANSOM(X,XX) (DF250T E03)

REF NO.	PART NO.	DESCRIPTION	Q'TY	REMARKS
1	41111-93J14-0EP	BRACKET, CLAMP STBD (BLACK)	1	
2	41121-93J06-0EP	BRACKET, CLAMP PORT (BLACK)	1	
3	41117-93J01	PLATE, CLAMP BRKT LOWER STBD	1	
4	41122-93J01	PLATE, CLAMP BRKT LOWER PORT	1	
5	09125-06063	SCREW (6X10)	4	
6	41130-93J12	SHAFT, CLAMP BRKT	1	
7	41135-93J11	WASHER, CLAMP BRACKET SHAFT	1	
8	09159-22006	NUT	1	
9	41153-93J00	CAP, TRANSOM BOLT	6	
10-1	09100-12092	BOLT (12X75)	1	OPT
10-2	09100-12086	BOLT (12X150)	6	
10-3	09100-12085	BOLT (12.7X115)	1	OPT
11	09159-12062	NUT	6	
12	09160-13017	WASHER (13.2X45X5)	4	
13	09160-13016	WASHER (13.2X26X3)	6	
14	41155-93J02	PLATE, TRANSOM	2	
15	55320-94900	ZINC SET, PROTECTION	1	
16	09116-06121	.BOLT (6X25)	2	
17	45421-87D02	PIN, TILT LOCK	1	
18	09159-14020	NUT	2	
19	48140-93J01	CAM, TILT LIMIT SWITCH	1	
20	48144-93J00	HOLDER, TILT LIMIT SWITCH	1	
21	09103-06278	BOLT (6X25)	2	
22	55321-94910	ANODE (MAGNESIUM)	1	OPT
23	48145-93J00	COVER, TILT LIMIT SWITCH	1	
24	36894-87D00	LEAD (CLAMP TO SWIVEL)	1	
25	09125-06063	SCREW (6X10)	2	

FIG.128

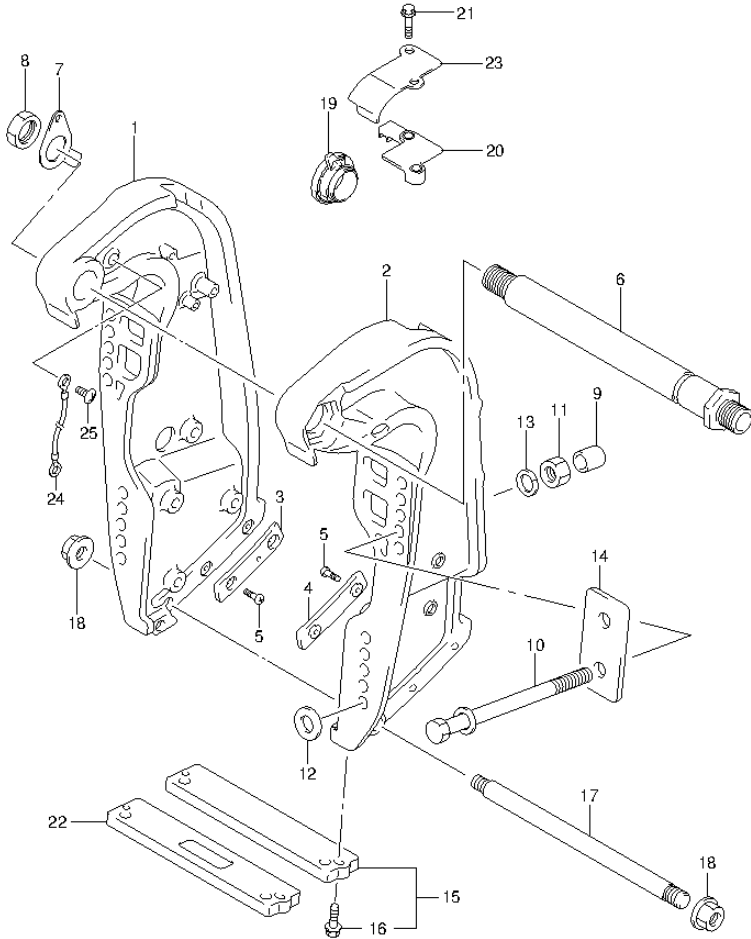


FIG.128 (2-D-4) CLAMP BRACKET TRANSOM(X,XX) (DF250Z E03)

REF NO.	PART NO.	DESCRIPTION	Q'TY	REMARKS
1	41111-93J14-0EP	BRACKET, CLAMP STBD (BLACK)	1	
2	41121-93J06-0EP	BRACKET, CLAMP PORT (BLACK)	1	
3	41117-93J01	PLATE, CLAMP BRKT LOWER STBD	1	
4	41122-93J01	PLATE, CLAMP BRKT LOWER PORT	1	
5	09125-06063	SCREW (6X10)	4	
6	41130-93J12	SHAFT, CLAMP BRKT	1	
7	41135-93J11	WASHER, CLAMP BRACKET SHAFT	1	
8	09159-22006	NUT	1	
9	41153-93J00	CAP, TRANSOM BOLT	6	
10-1	09100-12092	BOLT (12X75)	1	OPT
10-2	09100-12086	BOLT (12X150)	6	
10-3	09100-12085	BOLT (12.7X115)	1	OPT
11	09159-12062	NUT	6	
12	09160-13017	WASHER (13.2X45X5)	4	
13	09160-13016	WASHER (13.2X26X3)	6	
14	41155-93J02	PLATE, TRANSOM	2	
15	55320-94900	ZINC SET, PROTECTION	1	
16	09116-06121	.BOLT (6X25)	2	
17	45421-87D02	PIN, TILT LOCK	1	
18	09159-14020	NUT	2	
19	48140-93J01	CAM, TILT LIMIT SWITCH	1	
20	48144-93J00	HOLDER, TILT LIMIT SWITCH	1	
21	09103-06278	BOLT (6X25)	2	
22	55321-94910	ANODE (MAGNESIUM)	1	OPT
23	48145-93J00	COVER, TILT LIMIT SWITCH	1	
24	36894-87D00	LEAD (CLAMP TO SWIVEL)	1	
25	09125-06063	SCREW (6X10)	2	

FIG.129

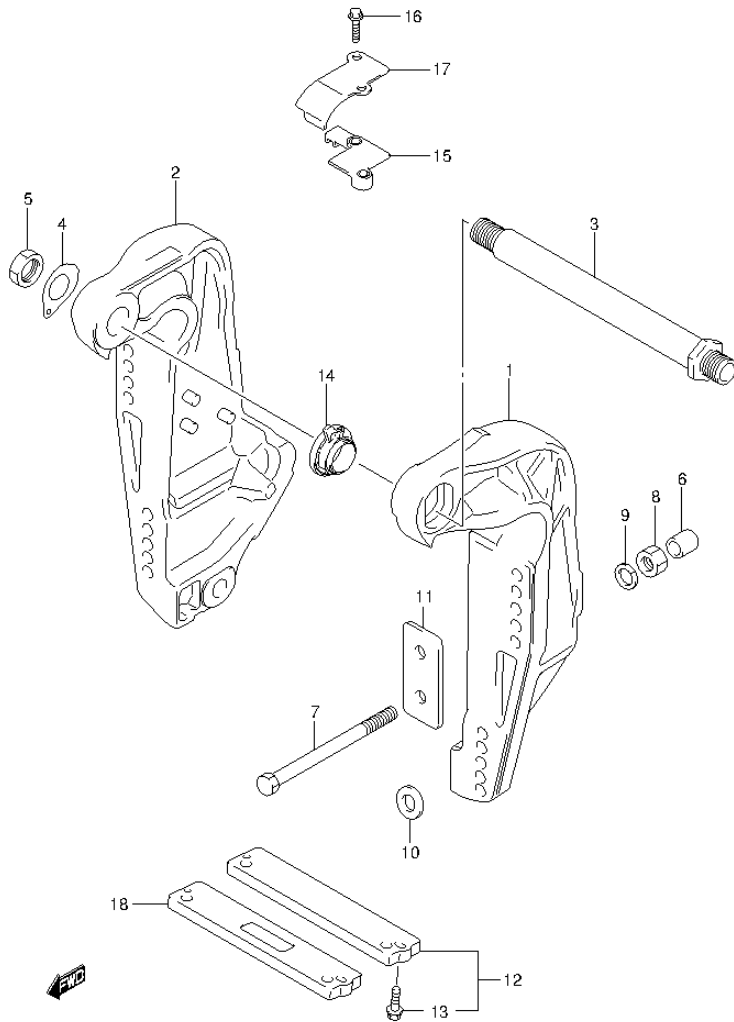


FIG.129 (2-D-5) CLAMP BRACKET TRANSOM(L) (DF200T E03)

REF NO.	PART NO.	DESCRIPTION	Q'TY	REMARKS
1	41111-96J21-0EP	BRACKET, CLAMP STBD (BLACK)	1	
2	41121-96J12-0EP	BRACKET, CLAMP PORT (BLACK)	1	
3	41130-92J03	SHAFT, CLAMP BRKT	1	
4	41135-92J00	WASHER, CLAMP BRACKET SHAFT	1	
5	09159-22006	NUT	1	
6	41153-93J00	CAP, TRANSOM BOLT	6	
7-1	09100-12086	BOLT (12X150)	6	
7-2	09100-12085	BOLT (12.7X115)	1	OPT
7-3	09100-12092	BOLT (12X75)	1	OPT
8	09159-12062	NUT	6	
9	09160-13016	WASHER (13.2X26X3)	6	
10	09160-13017	WASHER (13.2X45X5)	4	
11	41155-93J02	PLATE, TRANSOM	2	
12	55320-94900	ZINC SET, PROTECTION	1	
13	09116-06121	.BOLT (6X25)	2	
14	48140-93J01	CAM, TILT LIMIT SWITCH	1	
15	48144-93J00	HOLDER, TILT LIMIT SWITCH	1	
16	09103-06278	BOLT (6X25)	2	
17	48145-93J00	COVER, TILT LIMIT SWITCH	1	
18	55321-94910	ANODE (MAGNESIUM)	1	OPT

FIG.130

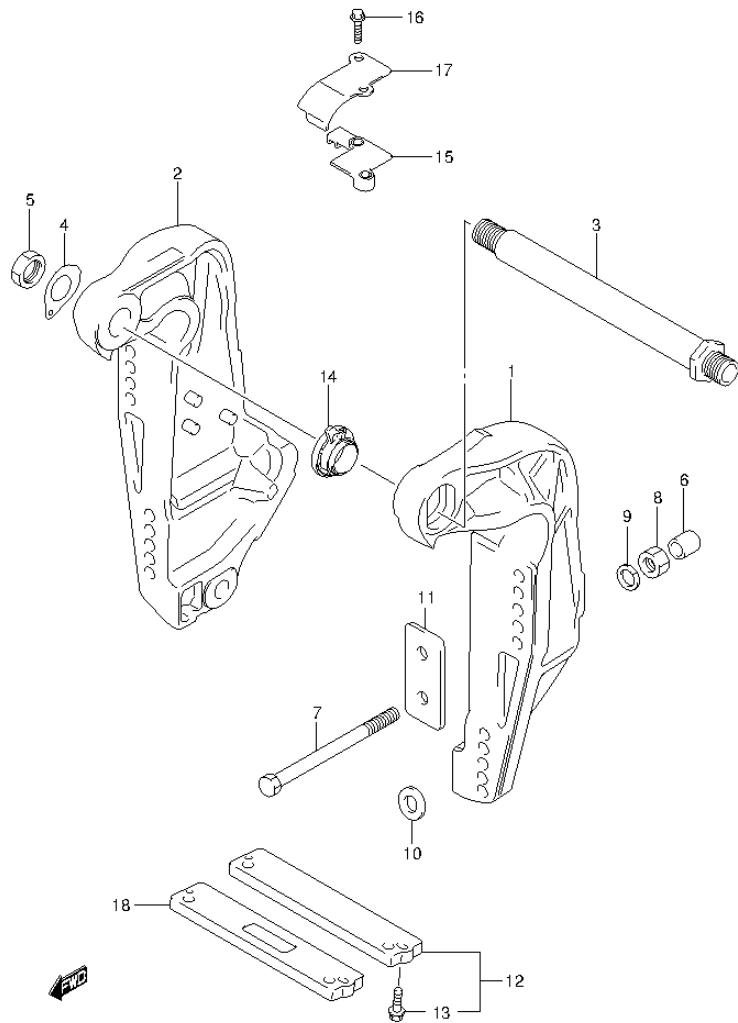


FIG.130 (2-D-6) CLAMP BRACKET TRANSOM(L) (DF250ST E03)

REF NO.	PART NO.	DESCRIPTION	Q'TY	REMARKS
1	41111-96J21-0EP	BRACKET, CLAMP STBD (BLACK)	1	
2	41121-96J12-0EP	BRACKET, CLAMP PORT (BLACK)	1	
3	41130-92J03	SHAFT, CLAMP BRKT	1	
4	41135-92J00	WASHER, CLAMP BRACKET SHAFT	1	
5	09159-22006	NUT	1	
6	41153-93J00	CAP, TRANSOM BOLT	6	
7-1	09100-12086	BOLT (12X150)	6	
7-2	09100-12085	BOLT (12.7X115)	1	OPT
7-3	09100-12092	BOLT (12X75)	1	OPT
8	09159-12062	NUT	6	
9	09160-13016	WASHER (13.2X26X3)	6	
10	09160-13017	WASHER (13.2X45X5)	4	
11	41155-93J02	PLATE, TRANSOM	2	
12	55320-94900	ZINC SET, PROTECTION	1	
13	09116-06121	.BOLT (6X25)	2	
14	48140-93J01	CAM, TILT LIMIT SWITCH	1	
15	48144-93J00	HOLDER, TILT LIMIT SWITCH	1	
16	09103-06278	BOLT (6X25)	2	
17	48145-93J00	COVER, TILT LIMIT SWITCH	1	
18	55321-94910	ANODE (MAGNESIUM)	1	OPT

FIG.131

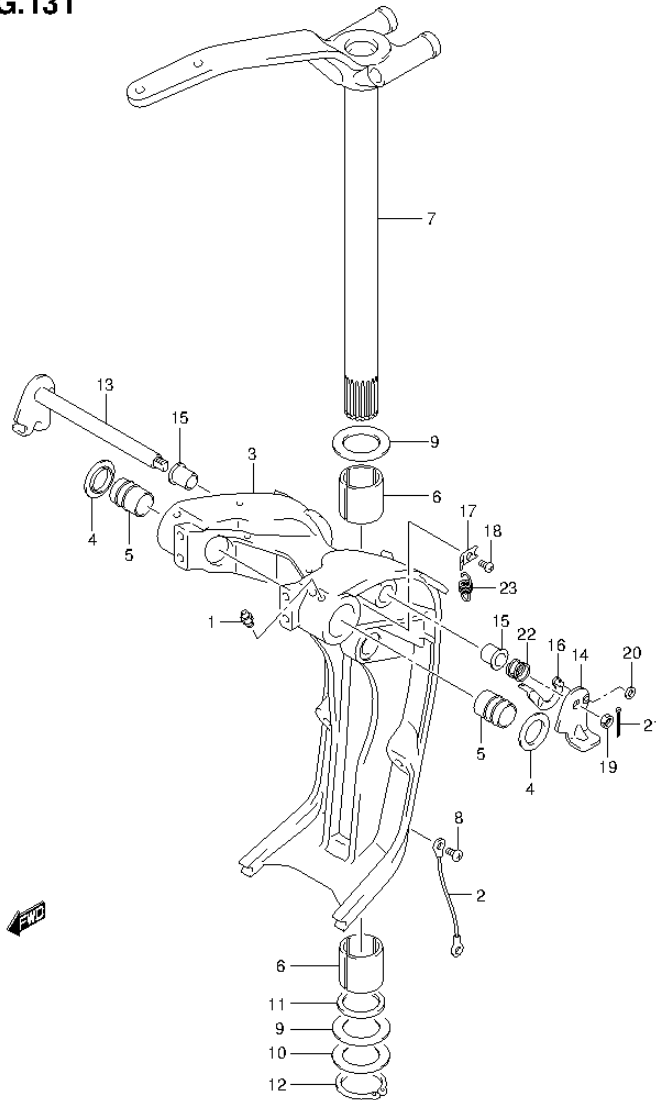


FIG.131 (2-D-7) SWIVEL BRACKET TRANSOM(X) (DF200T E03)

REF NO.	PART NO.	DESCRIPTION	Q'TY	REMARKS
1	22511-99011	NIPPLE, GREASE SWIVEL BRKT	4	
2	36894-87D00	LEAD (SWIVEL TO MOUNT BRKT)	1	
3	43111-93J23-0EP	BRACKET, SWIVEL (BLACK)	1	
4	43114-93J00	WASHER, SWIVEL TO CLAMP BRKT	2	
5	43211-93J00	BUSH, CLAMP SHAFT SWIVEL	2	
6	43711-97E01	BUSH, STEERING	2	
7	43750-93J02-0EP	BRACKET, STEERING (BLACK)	1	
8	09125-06063	SCREW (6X10)	1	
9	09160-39001	WASHER (39.5X64X1)	2	
10	09181-39001	SHIM (39.5X64X0.3)	AR	
11	09282-39001	OIL SEAL (39X51X5)	1	
12	09380-38003	CIRCLIP	1	
13	41220-93J11	LEVER, TILT LOCK	1	
14	41234-93J11	LEVER, TILT LOCK PORT	1	
15	41224-95E01	BUSH, TILT STOPPER ROD	2	
16	41230-96J00	LINK, TILT LOCK LEVER	1	
17	41233-95E10	BRACKET, TILT LOCK SPRING	1	
18	09125-06063	SCREW (6X10)	1	
19	09140-10032	NUT	1	
20	09160-06082	WASHER (6.5X13X1.0)	1	
21	09204-01006	PIN	1	
22	09440-19028	SPRING	1	
23	09443-10043	SPRING	1	

FIG.132

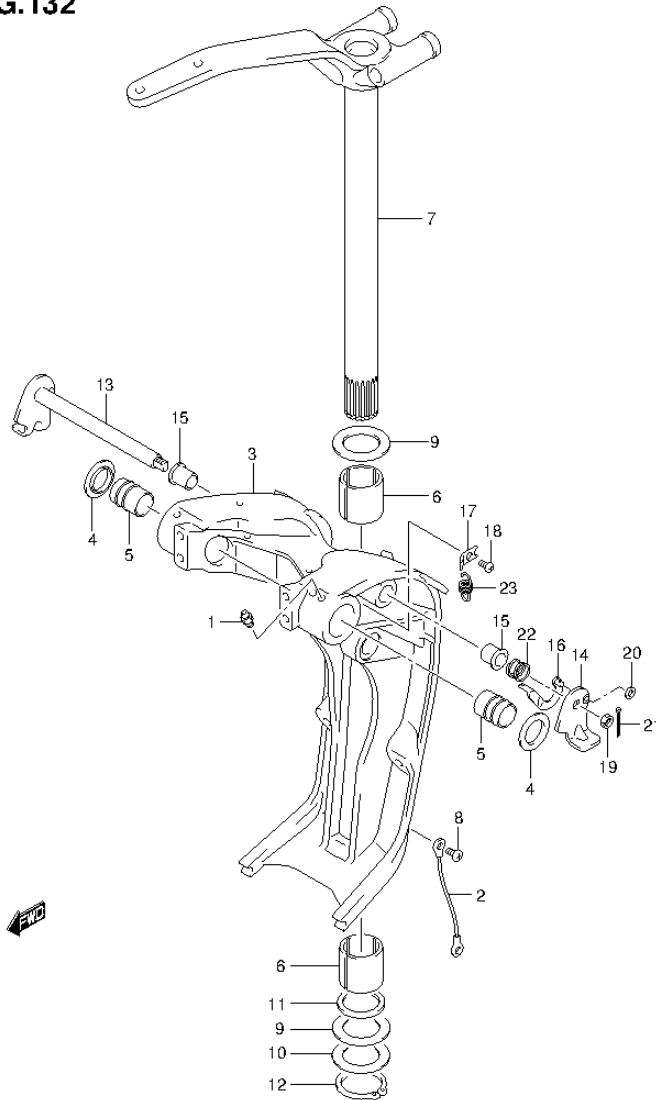


FIG.132 (2-D-8) SWIVEL BRACKET TRANSOM(X) (DF200Z E03)

REF NO.	PART NO.	DESCRIPTION	Q'TY	REMARKS
1	22511-99011	NIPPLE, GREASE SWIVEL BRKT	4	
2	36894-87D00	LEAD (SWIVEL TO MOUNT BRKT)	1	
3	43111-93J23-0EP	BRACKET, SWIVEL (BLACK)	1	
4	43114-93J00	WASHER, SWIVEL TO CLAMP BRKT	2	
5	43211-93J00	BUSH, CLAMP SHAFT SWIVEL	2	
6	43711-97E01	BUSH, STEERING	2	
7	43750-93J02-0EP	BRACKET, STEERING (BLACK)	1	
8	09125-06063	SCREW (6X10)	1	
9	09160-39001	WASHER (39.5X64X1)	2	
10	09181-39001	SHIM (39.5X64X0.3)	AR	
11	09282-39001	OIL SEAL (39X51X5)	1	
12	09380-38003	CIRCLIP	1	
13	41220-93J11	LEVER, TILT LOCK	1	
14	41234-93J11	LEVER, TILT LOCK PORT	1	
15	41224-95E01	BUSH, TILT STOPPER ROD	2	
16	41230-96J00	LINK, TILT LOCK LEVER	1	
17	41233-95E10	BRACKET, TILT LOCK SPRING	1	
18	09125-06063	SCREW (6X10)	1	
19	09140-10032	NUT	1	
20	09160-06082	WASHER (6.5X13X1.0)	1	
21	09204-01006	PIN	1	
22	09440-19028	SPRING	1	
23	09443-10043	SPRING	1	

FIG.133

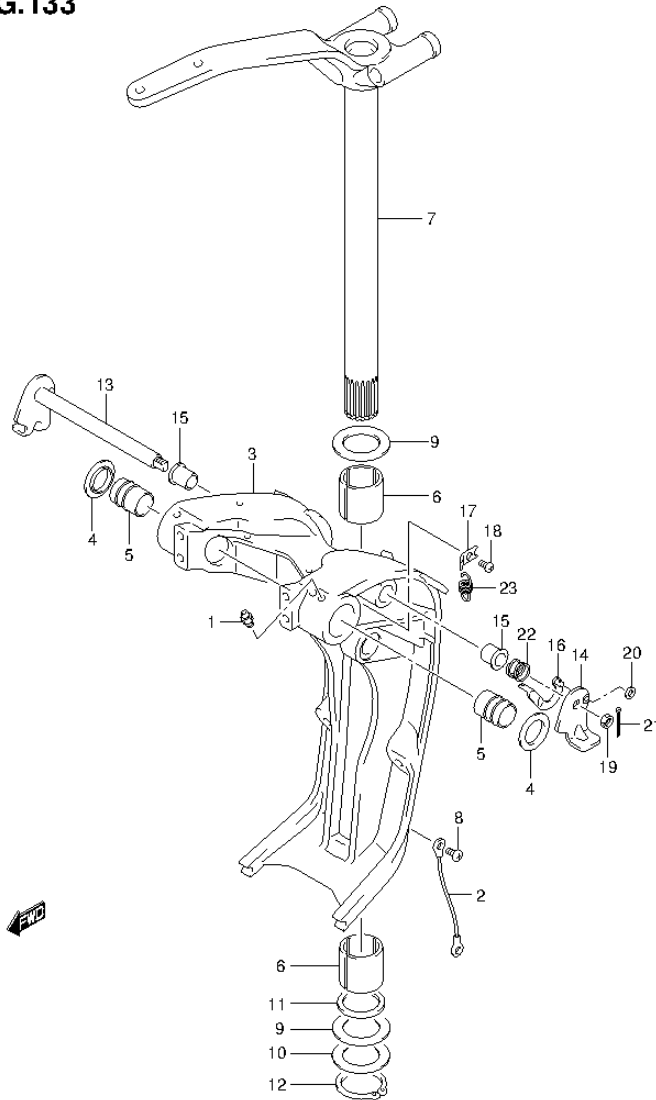


FIG.133 (2-D-9) SWIVEL BRACKET TRANSOM(X,XX) (DF225T E03)

REF NO.	PART NO.	DESCRIPTION	Q'TY	REMARKS
1	22511-99011	NIPPLE, GREASE SWIVEL BRKT	4	
2	36894-87D00	LEAD (SWIVEL TO MOUNT BRKT)	1	
3	43111-93J23-0EP	BRACKET, SWIVEL (BLACK)	1	
4	43114-93J00	WASHER, SWIVEL TO CLAMP BRKT	2	
5	43211-93J00	BUSH, CLAMP SHAFT SWIVEL	2	
6	43711-97E01	BUSH, STEERING	2	
7	43750-93J02-0EP	BRACKET, STEERING (BLACK)	1	
8	09125-06063	SCREW (6X10)	1	
9	09160-39001	WASHER (39.5X64X1)	2	
10	09181-39001	SHIM (39.5X64X0.3)	AR	
11	09282-39001	OIL SEAL (39X51X5)	1	
12	09380-38003	CIRCLIP	1	
13	41220-93J11	LEVER, TILT LOCK	1	
14	41234-93J11	LEVER, TILT LOCK PORT	1	
15	41224-95E01	BUSH, TILT STOPPER ROD	2	
16	41230-96J00	LINK, TILT LOCK LEVER	1	
17	41233-95E10	BRACKET, TILT LOCK SPRING	1	
18	09125-06063	SCREW (6X10)	1	
19	09140-10032	NUT	1	
20	09160-06082	WASHER (6.5X13X1.0)	1	
21	09204-01006	PIN	1	
22	09440-19028	SPRING	1	
23	09443-10043	SPRING	1	

FIG.134

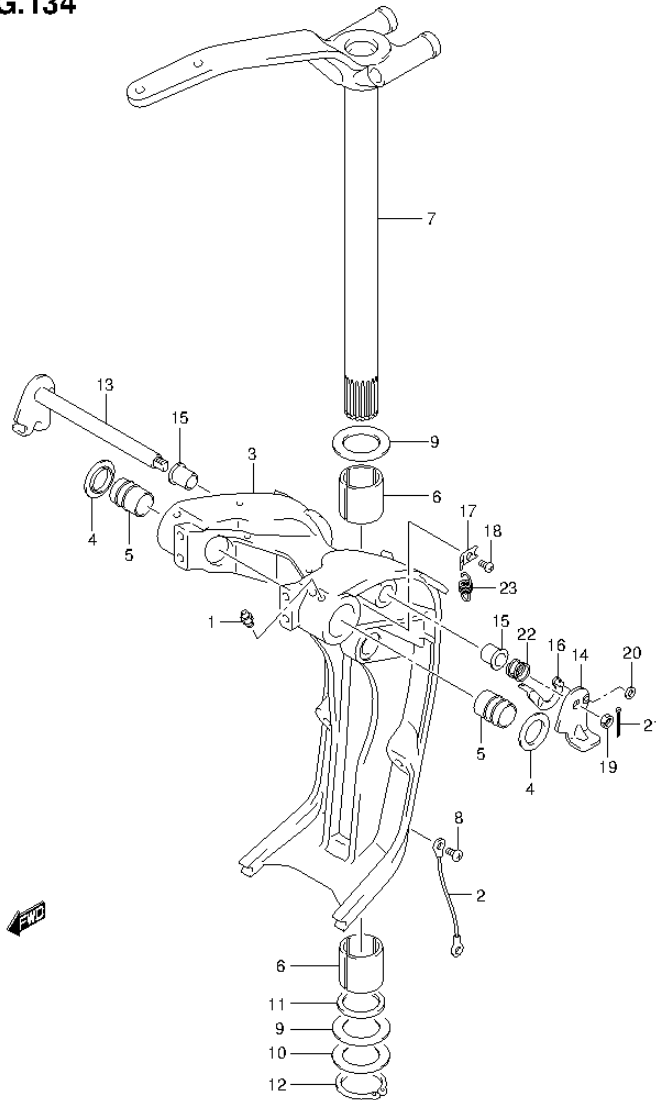


FIG.134 (2-D-10) SWIVEL BRACKET TRANSOM(X,XX) (DF225Z E03)

REF NO.	PART NO.	DESCRIPTION	Q'TY	REMARKS
1	22511-99011	NIPPLE, GREASE SWIVEL BRKT	4	
2	36894-87D00	LEAD (SWIVEL TO MOUNT BRKT)	1	
3	43111-93J23-0EP	BRACKET, SWIVEL (BLACK)	1	
4	43114-93J00	WASHER, SWIVEL TO CLAMP BRKT	2	
5	43211-93J00	BUSH, CLAMP SHAFT SWIVEL	2	
6	43711-97E01	BUSH, STEERING	2	
7	43750-93J02-0EP	BRACKET, STEERING (BLACK)	1	
8	09125-06063	SCREW (6X10)	1	
9	09160-39001	WASHER (39.5X64X1)	2	
10	09181-39001	SHIM (39.5X64X0.3)	AR	
11	09282-39001	OIL SEAL (39X51X5)	1	
12	09380-38003	CIRCLIP	1	
13	41220-93J11	LEVER, TILT LOCK	1	
14	41234-93J11	LEVER, TILT LOCK PORT	1	
15	41224-95E01	BUSH, TILT STOPPER ROD	2	
16	41230-96J00	LINK, TILT LOCK LEVER	1	
17	41233-95E10	BRACKET, TILT LOCK SPRING	1	
18	09125-06063	SCREW (6X10)	1	
19	09140-10032	NUT	1	
20	09160-06082	WASHER (6.5X13X1.0)	1	
21	09204-01006	PIN	1	
22	09440-19028	SPRING	1	
23	09443-10043	SPRING	1	

FIG.135

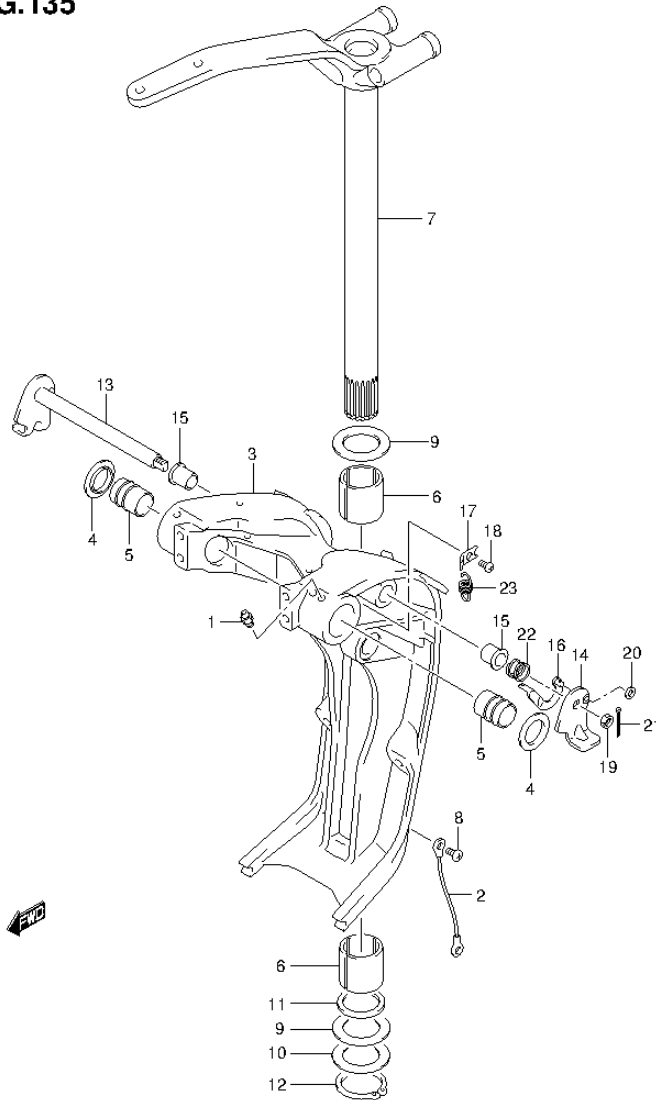


FIG.135 (2-D-11) SWIVEL BRACKET TRANSOM(X,XX) (DF250T E03)

REF NO.	PART NO.	DESCRIPTION	Q'TY	REMARKS
1	22511-99011	NIPPLE, GREASE SWIVEL BRKT	4	
2	36894-87D00	LEAD (SWIVEL TO MOUNT BRKT)	1	
3	43111-93J23-0EP	BRACKET, SWIVEL (BLACK)	1	
4	43114-93J00	WASHER, SWIVEL TO CLAMP BRKT	2	
5	43211-93J00	BUSH, CLAMP SHAFT SWIVEL	2	
6	43711-97E01	BUSH, STEERING	2	
7	43750-93J02-0EP	BRACKET, STEERING (BLACK)	1	
8	09125-06063	SCREW (6X10)	1	
9	09160-39001	WASHER (39.5X64X1)	2	
10	09181-39001	SHIM (39.5X64X0.3)	AR	
11	09282-39001	OIL SEAL (39X51X5)	1	
12	09380-38003	CIRCLIP	1	
13	41220-93J11	LEVER, TILT LOCK	1	
14	41234-93J11	LEVER, TILT LOCK PORT	1	
15	41224-95E01	BUSH, TILT STOPPER ROD	2	
16	41230-96J00	LINK, TILT LOCK LEVER	1	
17	41233-95E10	BRACKET, TILT LOCK SPRING	1	
18	09125-06063	SCREW (6X10)	1	
19	09140-10032	NUT	1	
20	09160-06082	WASHER (6.5X13X1.0)	1	
21	09204-01006	PIN	1	
22	09440-19028	SPRING	1	
23	09443-10043	SPRING	1	

FIG.136

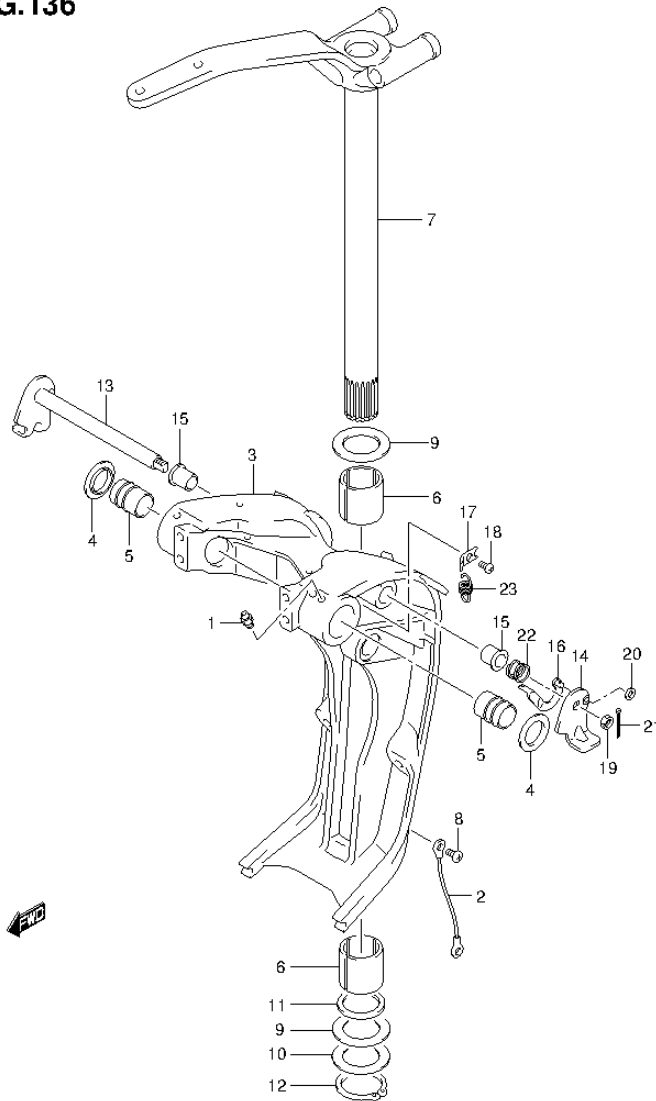
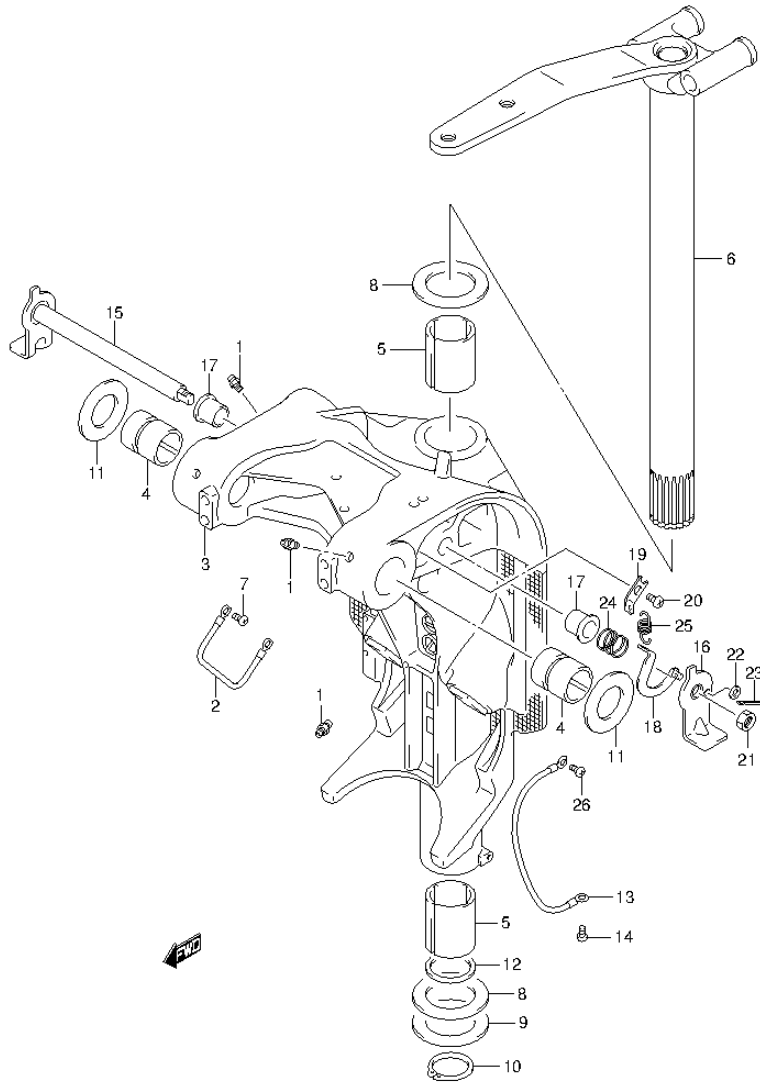


FIG.136 (2-D-12) SWIVEL BRACKET TRANSOM(X,XX) (DF250Z E03)

REF NO.	PART NO.	DESCRIPTION	Q'TY	REMARKS
1	22511-99011	NIPPLE, GREASE SWIVEL BRKT	4	
2	36894-87D00	LEAD (SWIVEL TO MOUNT BRKT)	1	
3	43111-93J23-0EP	BRACKET, SWIVEL (BLACK)	1	
4	43114-93J00	WASHER, SWIVEL TO CLAMP BRKT	2	
5	43211-93J00	BUSH, CLAMP SHAFT SWIVEL	2	
6	43711-97E01	BUSH, STEERING	2	
7	43750-93J02-0EP	BRACKET, STEERING (BLACK)	1	
8	09125-06063	SCREW (6X10)	1	
9	09160-39001	WASHER (39.5X64X1)	2	
10	09181-39001	SHIM (39.5X64X0.3)	AR	
11	09282-39001	OIL SEAL (39X51X5)	1	
12	09380-38003	CIRCLIP	1	
13	41220-93J11	LEVER, TILT LOCK	1	
14	41234-93J11	LEVER, TILT LOCK PORT	1	
15	41224-95E01	BUSH, TILT STOPPER ROD	2	
16	41230-96J00	LINK, TILT LOCK LEVER	1	
17	41233-95E10	BRACKET, TILT LOCK SPRING	1	
18	09125-06063	SCREW (6X10)	1	
19	09140-10032	NUT	1	
20	09160-06082	WASHER (6.5X13X1.0)	1	
21	09204-01006	PIN	1	
22	09440-19028	SPRING	1	
23	09443-10043	SPRING	1	

FIG.137

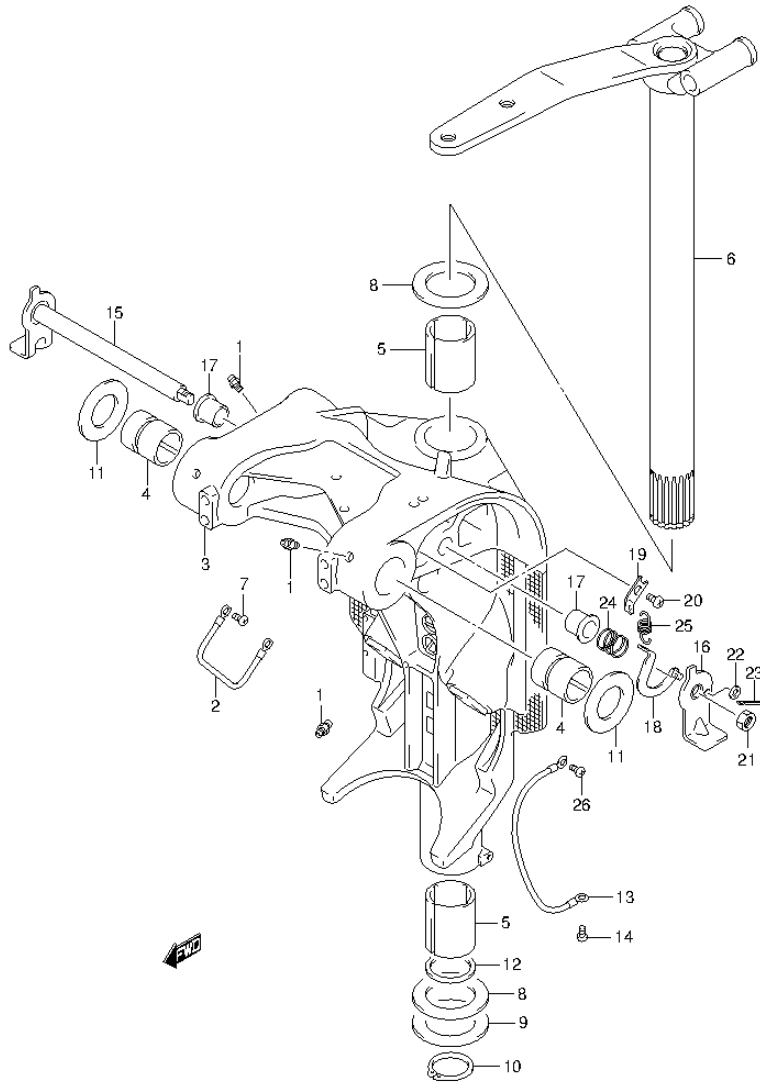
FIG.137 (2-D-13) SWIVEL BRACKET TRANSOM(L) (DF200T E03)



REF NO.	PART NO.	DESCRIPTION	Q'TY	REMARKS
1	22511-99011	NIPPLE, GREASE	4	
2	36894-87D00	LEAD (SWIVEL TO CLAMP)	1	
3	43111-96J20-0EP	BRACKET, SWIVEL (L) (BLACK)	1	
4	43211-93J00	BUSH, CLAMP SHAFT SWIVEL	2	
5	43711-97E01	BUSH, STEERING	2	
6	43750-96J02-0EP	BRACKET, STEERING (L)(BLACK)	1	
7	09125-06063	SCREW (6X10)	2	
8	09160-39001	WASHER (39.5X64X1)	2	
9	09181-39001	SHIM (39.5X64X0.3)	4	
10	09380-38003	CIRCLIP	1	
11	09169-28003	WASHER	2	
12	09282-39001	OIL SEAL (39X51X5)	1	
13	36895-87D10	LEAD (SWIVEL TO HSG)	1	
14	09125-06063	SCREW (6X10)	1	
15	41220-96J10	LEVER, TILT LOCK	1	
16	41234-96J10	LEVER, TILT LOCK PORT	1	
17	41224-95E01	BUSH, TILT STOPPER ROD	2	
18	41230-96J00	LINK, TILT LOCK LEVER	1	
19	41233-95E10	BRACKET, TILT LOCK SPRING	1	
20	09125-06063	SCREW (6X10)	1	
21	09140-10032	NUT	1	
22	09160-06082	WASHER (6.5X13X1.0)	1	
23	09204-01006	PIN	1	
24	09440-19028	SPRING	1	
25	09443-10043	SPRING	1	
26	09125-06063	SCREW (6X10)	1	

FIG.138

FIG.138 (2-D-14) SWIVEL BRACKET TRANSOM(L) (DF250ST E03)



REF NO.	PART NO.	DESCRIPTION	Q'TY	REMARKS
1	22511-99011	NIPPLE, GREASE	4	
2	36894-87D00	LEAD (SWIVEL TO MOUNT BRKT)	1	
3	43111-96J20-0EP	BRACKET, SWIVEL (L) (BLACK)	1	
4	43211-93J00	BUSH, CLAMP SHAFT SWIVEL	2	
5	43711-97E01	BUSH, STEERING	2	
6	43750-96J02-0EP	BRACKET, STEERING (L)(BLACK)	1	
7	09125-06063	SCREW (6X10)	2	
8	09160-39001	WASHER (39.5X64X1)	2	
9	09181-39001	SHIM (39.5X64X0.3)	4	
10	09380-38003	CIRCLIP	1	
11	09169-28003	WASHER	2	
12	09282-39001	OIL SEAL (39X51X5)	1	
13	36895-87D10	LEAD (SWIVEL TO HSG)	1	
14	09125-06063	SCREW (6X10)	1	
15	41220-96J10	LEVER, TILT LOCK	1	
16	41234-96J10	LEVER, TILT LOCK PORT	1	
17	41224-95E01	BUSH, TILT STOPPER ROD	2	
18	41230-96J00	LINK, TILT LOCK LEVER	1	
19	41233-95E10	BRACKET, TILT LOCK SPRING	1	
20	09125-06063	SCREW (6X10)	1	
21	09140-10032	NUT	1	
22	09160-06082	WASHER (6.5X13X1.0)	1	
23	09204-01006	PIN	1	
24	09440-19028	SPRING	1	
25	09443-10043	SPRING	1	
26	09125-06063	SCREW (6X10)	1	

FIG.139

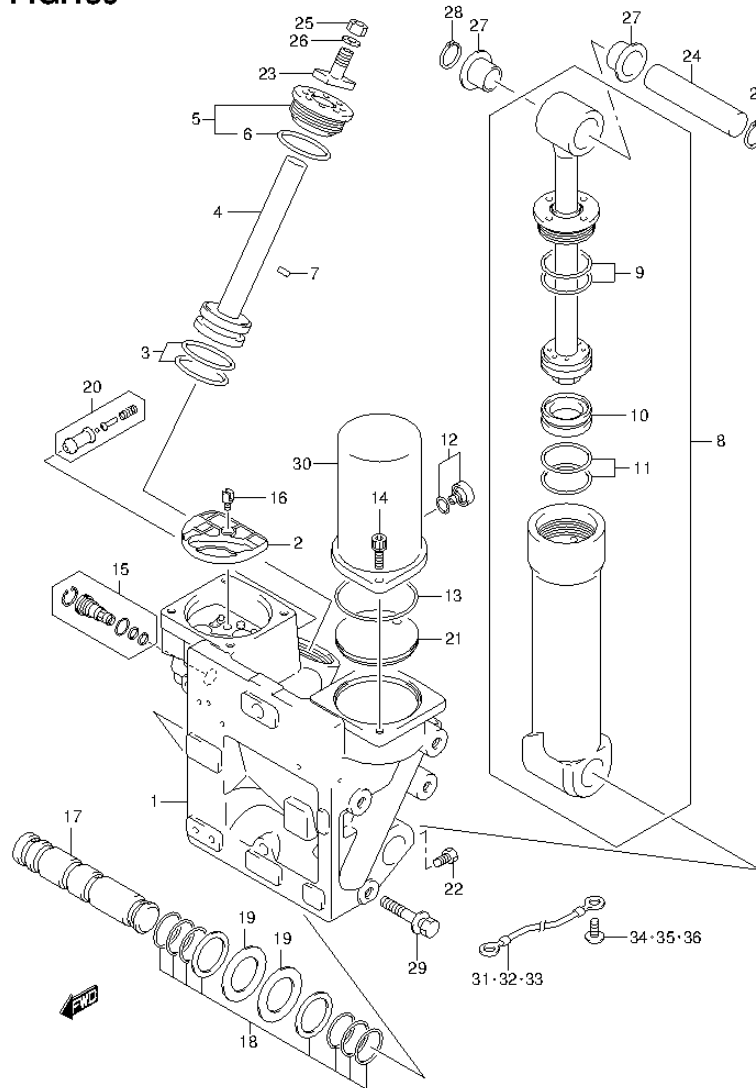


FIG.139 (2-D-15) TRIM CYLINDER TRANSOM(X) (DF200T E03)

REF NO.	PART NO.	DESCRIPTION	Q'TY	REMARKS
1	48500-93J05	MANIFOLD ASSY	1	
2	48582-95E01	.FILTER	1	
3	48605-93J00	.O RING SET	2	
4	48610-93J01	.PISTON / RAM	2	
5	48630-98J01	.ROD GUIDE	2	
6	48633-93J00	..O RING	2	
7	48691-93J00	.CHECK VALVE	1	
8	48400-93J06	CYLINDER ASSY	1	
9	48405-93J00	.O RING SET	1	
10	48650-93J00	.PISTON, FREE	1	
11	48627-93J00	.O RING SET	1	
12	48572-87J10	PLUG	1	
13	48585-95E00	O RING	1	
14	48862-87J20	BOLT, RESERVOIR	2	
15	48864-93J01	MANUAL VALVE	1	
16	48583-95E00	JOINT, DRIVE	1	
17	48121-93J13	SHAFT	1	
18	48125-93J00	O RING SET	1	
19	48126-93J00	WASHER, TILT CYL TO MANIF	2	
20	48320-93J00	VALVE SET, UP BLOW	1	
21	48573-93J00	COVER	1	
22	48128-93J11	BOLT	1	
23	48311-96J10	PAD, TRIM CYL RAM	2	
24	48321-93J00	SHAFT, TILT CYL UPPER	1	
25	29141-93J20	NUT, TRIM CYL RAM	2	
26	09162-10005	LOCK WASHER (10.2X18.4X2.5)	2	
27	09306-24001	BUSH	2	
28	09380-21002	CIRCLIP	2	
29	09116-10175	BOLT (10X50)	8	
30	48571-93J00	RESERVOIR TANK	1	
31	36894-87D00	LEAD, PTT TO ANODE	1	
32	36895-87D01	LEAD, PTT TO ANODE	1	
33	36895-87D01	LEAD, PTT TO ANODE	1	
34	09125-06063	SCREW (6X10)	1	

FIG.140

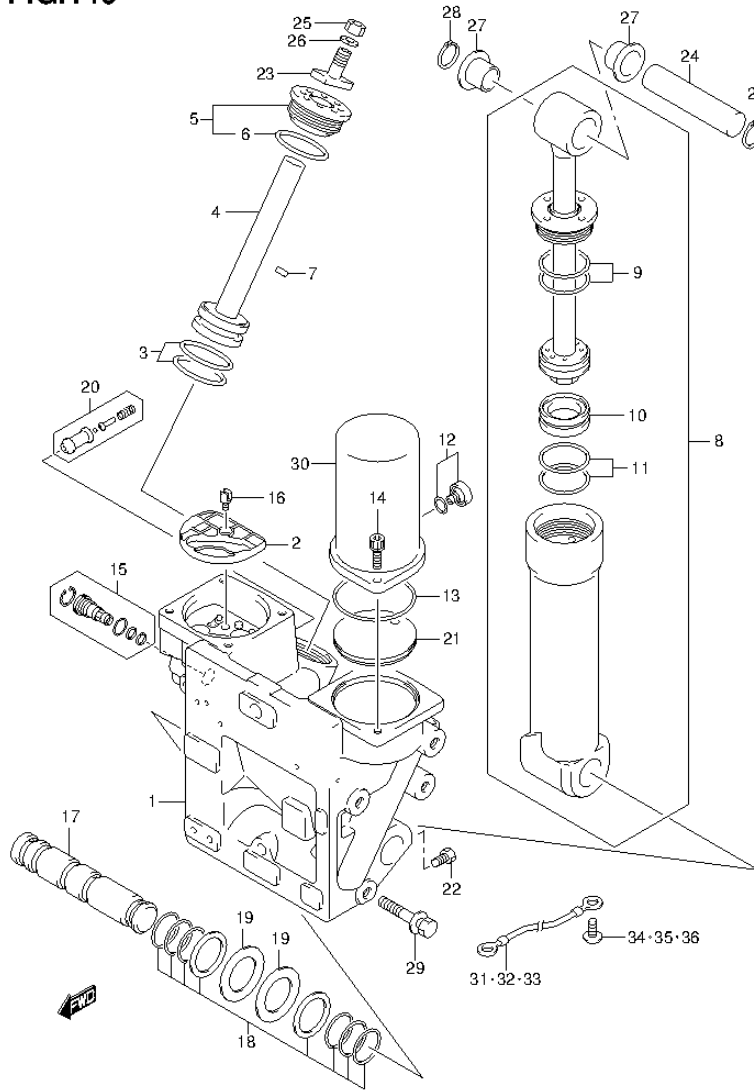
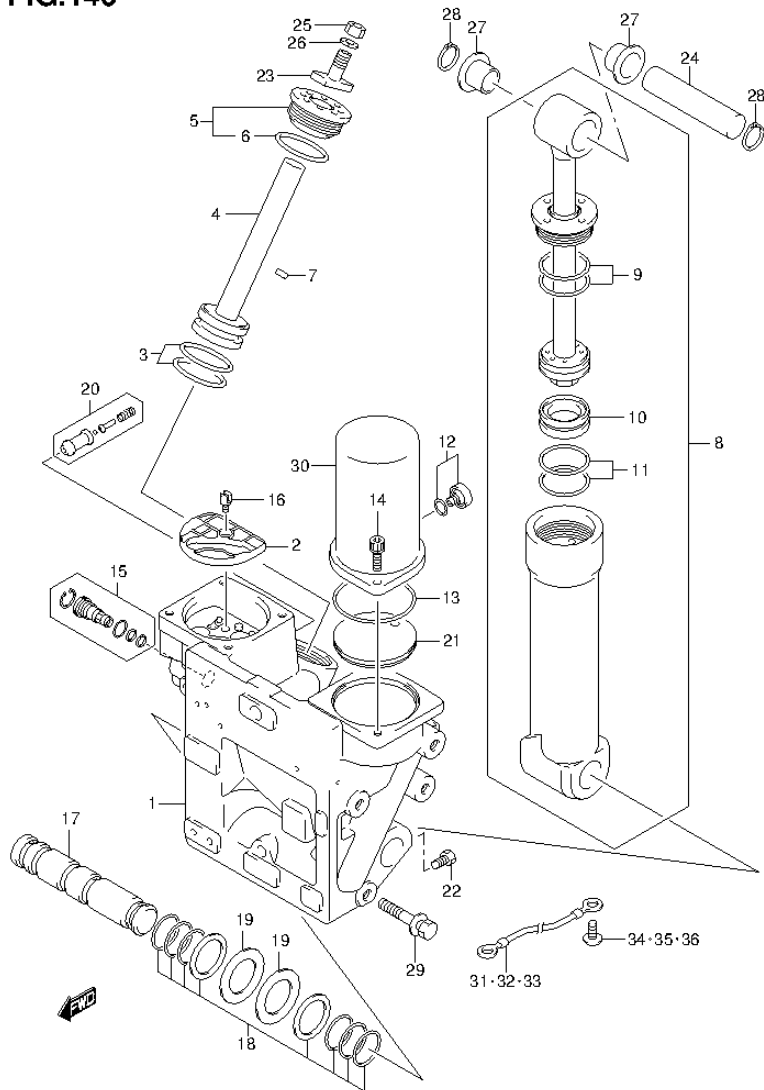


FIG.140 (2-E-3) TRIM CYLINDER TRANSOM(X) (DF200Z E03)

REF NO.	PART NO.	DESCRIPTION	Q'TY	REMARKS
1	48500-93J05	MANIFOLD ASSY	1	
2	48582-95E01	.FILTER	1	
3	48605-93J00	.O RING SET	2	
4	48610-93J01	.PISTON / RAM	2	
5	48630-98J01	.ROD GUIDE	2	
6	48633-93J00	..O RING	2	
7	48691-93J00	.CHECK VALVE	1	
8	48400-93J06	CYLINDER ASSY	1	
9	48405-93J00	.O RING SET	1	
10	48650-93J00	.PISTON, FREE	1	
11	48627-93J00	.O RING SET	1	
12	48572-87J10	PLUG	1	
13	48585-95E00	O RING	1	
14	48862-87J20	BOLT, RESERVOIR	2	
15	48864-93J01	MANUAL VALVE	1	
16	48583-95E00	JOINT, DRIVE	1	
17	48121-93J13	SHAFT	1	
18	48125-93J00	O RING SET	1	
19	48126-93J00	WASHER, TILT CYL TO MANIF	2	
20	48320-93J00	VALVE SET, UP BLOW	1	
21	48573-93J00	COVER	1	
22	48128-93J11	BOLT	1	
23	48311-96J10	PAD, TRIM CYL RAM	2	
24	48321-93J00	SHAFT, TILT CYL UPPER	1	
25	29141-93J20	NUT, TRIM CYL RAM	2	
26	09162-10005	LOCK WASHER (10.2X18.4X2.5)	2	
27	09306-24001	BUSH	2	
28	09380-21002	CIRCLIP	2	
29	09116-10175	BOLT (10X50)	8	
30	48571-93J00	RESERVOIR TANK	1	
31	36894-87D00	LEAD, PTT TO ANODE	1	
32	36895-87D01	LEAD, PTT TO ANODE	1	
33	36895-87D01	LEAD, PTT TO ANODE	1	
34	09125-06063	SCREW (6X10)	1	

FIG.140



DF250 E03 012_140
TRIM CYLINDER

FIG.140 (2-E-4) TRIM CYLINDER TRANSOM(X) (DF200Z E03)

REF NO.	PART NO.	DESCRIPTION	Q'TY	REMARKS
35	09125-06063	SCREW (6X10)	1	
36	09125-06063	SCREW (6X10)	1	

DF250 E03 012

FIG.141

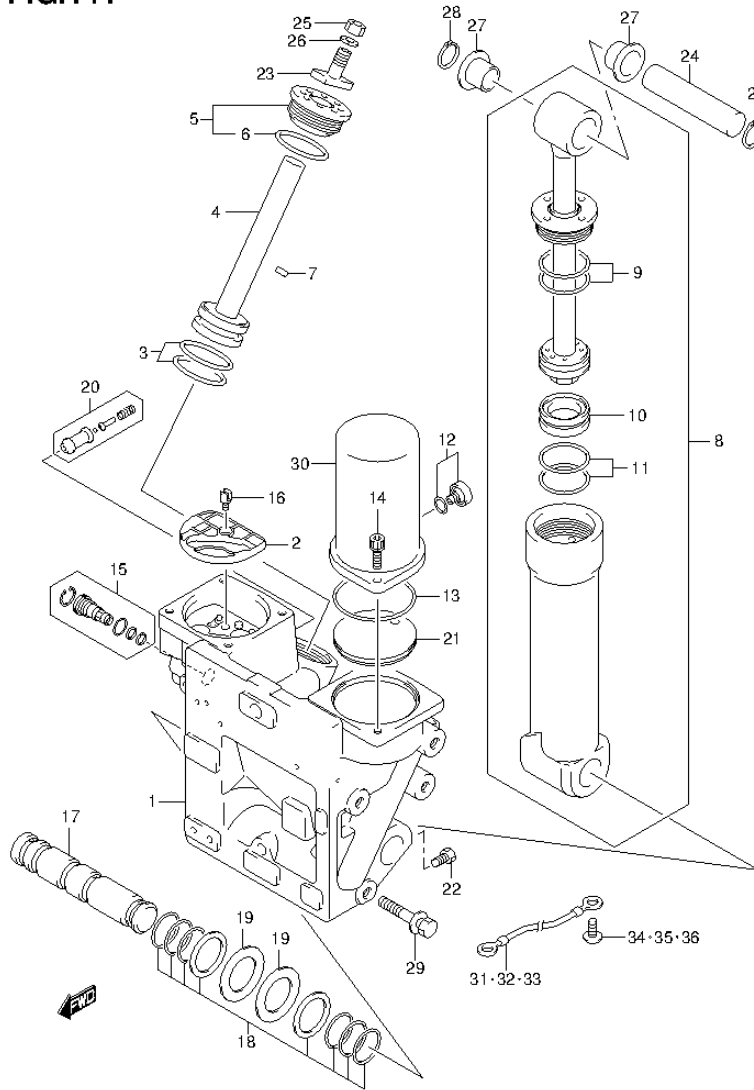


FIG.141 (2-E-5) TRIM CYLINDER TRANSOM(X,XX) (DF225T E03)

REF NO.	PART NO.	DESCRIPTION	Q'TY	REMARKS
1	48500-93J05	MANIFOLD ASSY	1	
2	48582-95E01	.FILTER	1	
3	48605-93J00	.O RING SET	2	
4	48610-93J01	.PISTON / RAM	2	
5	48630-98J01	.ROD GUIDE	2	
6	48633-93J00	..O RING	2	
7	48691-93J00	.CHECK VALVE	1	
8	48400-93J06	CYLINDER ASSY	1	
9	48405-93J00	.O RING SET	1	
10	48650-93J00	.PISTON, FREE	1	
11	48627-93J00	.O RING SET	1	
12	48572-87J10	PLUG	1	
13	48585-95E00	O RING	1	
14	48862-87J20	BOLT, RESERVOIR	2	
15	48864-93J01	MANUAL VALVE	1	
16	48583-95E00	JOINT, DRIVE	1	
17	48121-93J13	SHAFT	1	
18	48125-93J00	O RING SET	1	
19	48126-93J00	WASHER, TILT CYL TO MANIF	2	
20	48320-93J00	VALVE SET, UP BLOW	1	
21	48573-93J00	COVER	1	
22	48128-93J11	BOLT	1	
23	48311-96J10	PAD, TRIM CYL RAM	2	
24	48321-93J00	SHAFT, TILT CYL UPPER	1	
25	29141-93J20	NUT, TRIM CYL RAM	2	
26	09162-10005	LOCK WASHER (10.2X18.4X2.5)	2	
27	09306-24001	BUSH	2	
28	09380-21002	CIRCLIP	2	
29	09116-10175	BOLT (10X50)	8	
30	48571-93J00	RESERVOIR TANK	1	
31	36894-87D00	LEAD, PTT TO ANODE	1	
32	36895-87D01	LEAD, PTT TO ANODE	1	
33	36895-87D01	LEAD, PTT TO ANODE	1	
34	09125-06063	SCREW (6X10)	1	

FIG.141

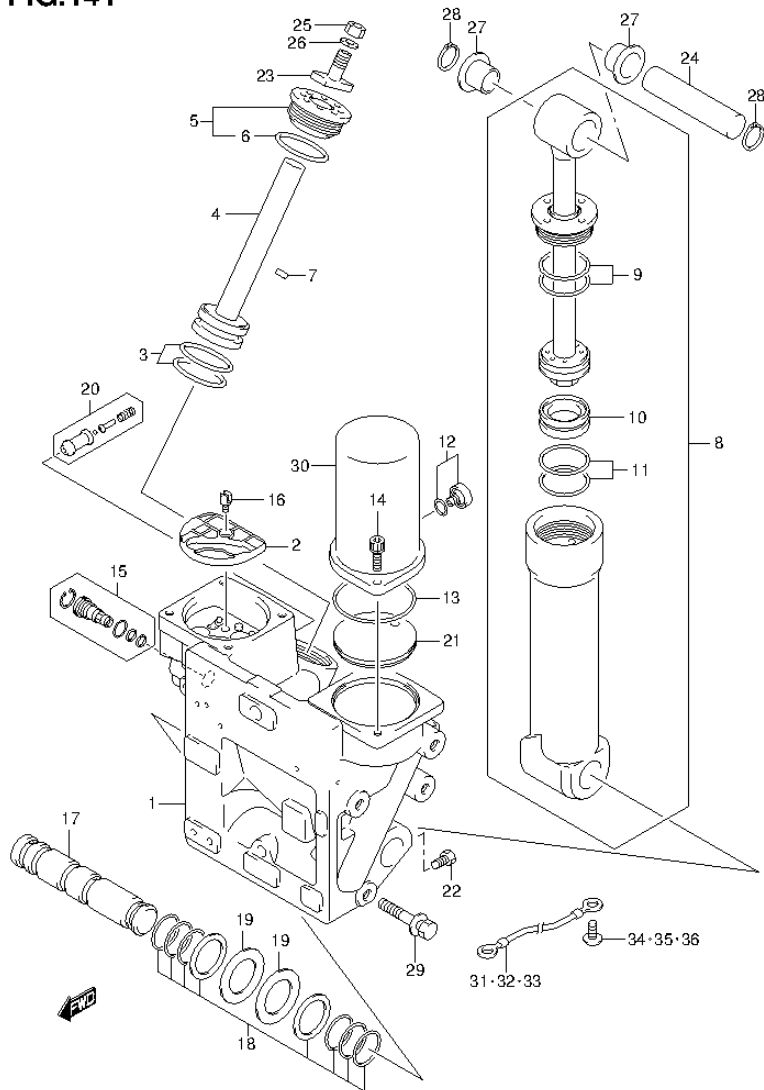


FIG.141 (2-E-6) TRIM CYLINDER TRANSOM(X,XX) (DF225T E03)

REF NO.	PART NO.	DESCRIPTION	Q'TY	REMARKS
35	09125-06063	SCREW (6X10)	1	
36	09125-06063	SCREW (6X10)	1	

FIG.142

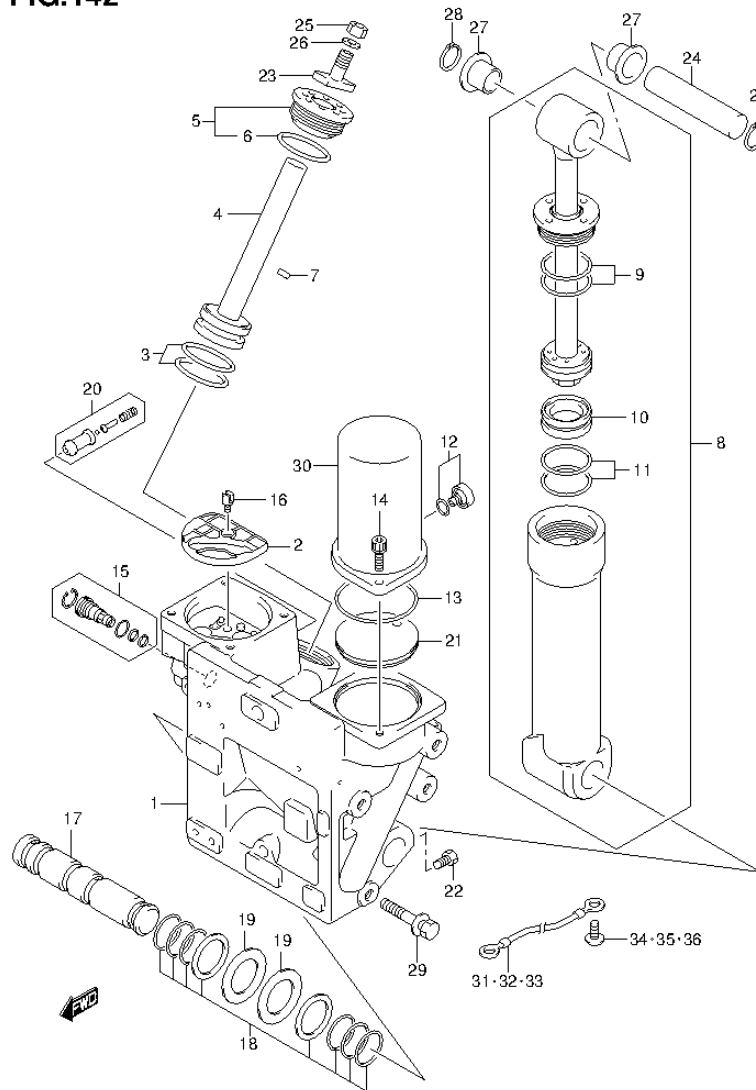


FIG.142 (2-E-7) TRIM CYLINDER TRANSOM(X,XX) (DF225Z E03)

REF NO.	PART NO.	DESCRIPTION	Q'TY	REMARKS
1	48500-93J05	MANIFOLD ASSY	1	
2	48582-95E01	.FILTER	1	
3	48605-93J00	.O RING SET	2	
4	48610-93J01	.PISTON / RAM	2	
5	48630-98J01	.ROD GUIDE	2	
6	48633-93J00	..O RING	2	
7	48691-93J00	.CHECK VALVE	1	
8	48400-93J06	CYLINDER ASSY	1	
9	48405-93J00	.O RING SET	1	
10	48650-93J00	.PISTON, FREE	1	
11	48627-93J00	.O RING SET	1	
12	48572-87J10	PLUG	1	
13	48585-95E00	O RING	1	
14	48862-87J20	BOLT, RESERVOIR	2	
15	48864-93J01	MANUAL VALVE	1	
16	48583-95E00	JOINT, DRIVE	1	
17	48121-93J13	SHAFT	1	
18	48125-93J00	O RING SET	1	
19	48126-93J00	WASHER, TILT CYL TO MANIF	2	
20	48320-93J00	VALVE SET, UP BLOW	1	
21	48573-93J00	COVER	1	
22	48128-93J11	BOLT	1	
23	48311-96J10	PAD, TRIM CYL RAM	2	
24	48321-93J00	SHAFT, TILT CYL UPPER	1	
25	29141-93J20	NUT, TRIM CYL RAM	2	
26	09162-10005	LOCK WASHER (10.2X18.4X2.5)	2	
27	09306-24001	BUSH	2	
28	09380-21002	CIRCLIP	2	
29	09116-10175	BOLT (10X50)	8	
30	48571-93J00	RESERVOIR TANK	1	
31	36894-87D00	LEAD, PTT TO ANODE	1	
32	36895-87D01	LEAD, PTT TO ANODE	1	
33	36895-87D01	LEAD, PTT TO ANODE	1	
34	09125-06063	SCREW (6X10)	1	

FIG.142

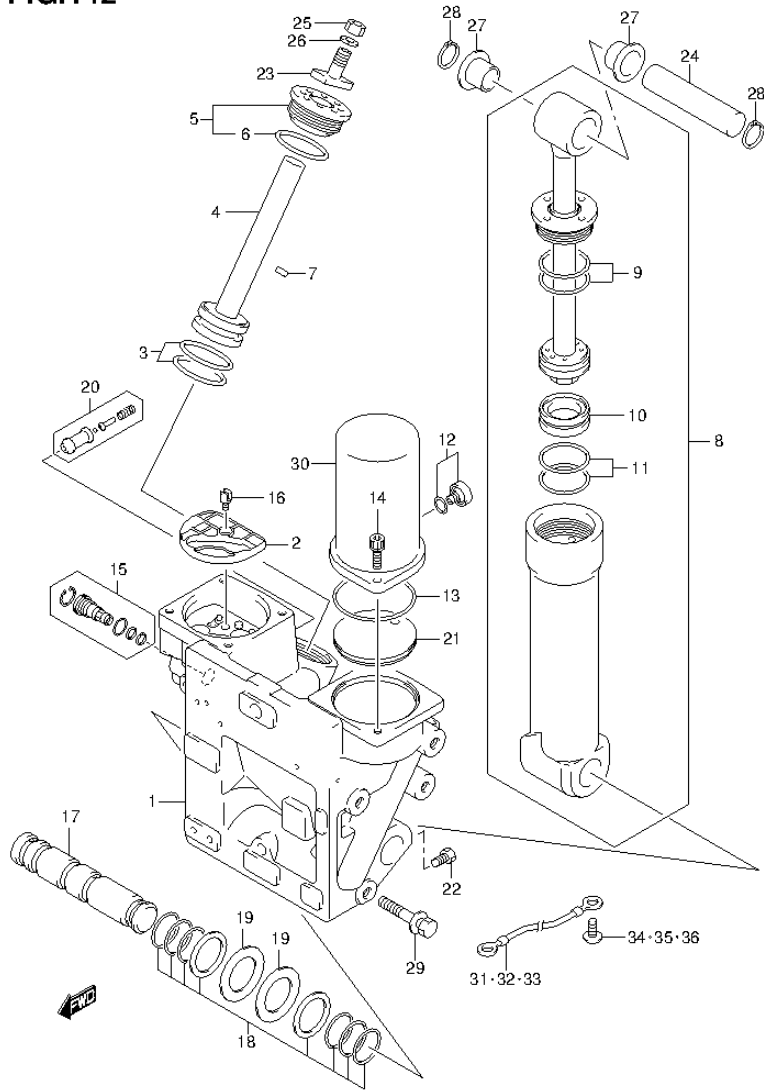


FIG.142 (2-E-8) TRIM CYLINDER TRANSOM(X,XX) (DF225Z E03)

REF NO.	PART NO.	DESCRIPTION	Q'TY	REMARKS
35	09125-06063	SCREW (6X10)	1	
36	09125-06063	SCREW (6X10)	1	

FIG.143

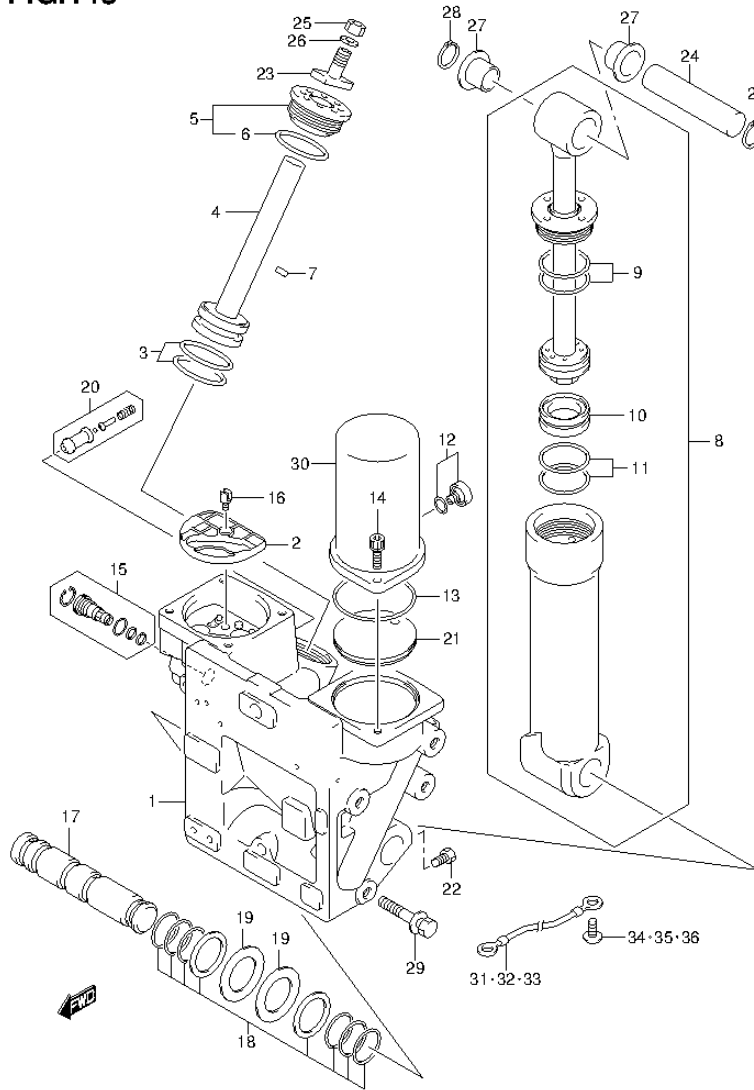


FIG.143 (2-E-9) TRIM CYLINDER TRANSOM(X,XX) (DF250T E03)

REF NO.	PART NO.	DESCRIPTION	Q'TY	REMARKS
1	48500-93J05	MANIFOLD ASSY	1	
2	48582-95E01	.FILTER	1	
3	48605-93J00	.O RING SET	2	
4	48610-93J01	.PISTON / RAM	2	
5	48630-98J01	.ROD GUIDE	2	
6	48633-93J00	..O RING	2	
7	48691-93J00	.CHECK VALVE	1	
8	48400-93J06	CYLINDER ASSY	1	
9	48405-93J00	.O RING SET	1	
10	48650-93J00	.PISTON, FREE	1	
11	48627-93J00	.O RING SET	1	
12	48572-87J10	PLUG	1	
13	48585-95E00	O RING	1	
14	48862-87J20	BOLT, RESERVOIR	2	
15	48864-93J01	MANUAL VALVE	1	
16	48583-95E00	JOINT, DRIVE	1	
17	48121-93J13	SHAFT	1	
18	48125-93J00	O RING SET	1	
19	48126-93J00	WASHER, TILT CYL TO MANIF	2	
20	48320-93J00	VALVE SET, UP BLOW	1	
21	48573-93J00	COVER	1	
22	48128-93J11	BOLT	1	
23	48311-96J10	PAD, TRIM CYL RAM	2	
24	48321-93J00	SHAFT, TILT CYL UPPER	1	
25	29141-93J20	NUT, TRIM CYL RAM	2	
26	09162-10005	LOCK WASHER (10.2X18.4X2.5)	2	
27	09306-24001	BUSH	2	
28	09380-21002	CIRCLIP	2	
29	09116-10175	BOLT (10X50)	8	
30	48571-93J00	RESERVOIR TANK	1	
31	36894-87D00	LEAD, PTT TO ANODE	1	
32	36895-87D01	LEAD, PTT TO ANODE	1	
33	36895-87D01	LEAD, PTT TO ANODE	1	
34	09125-06063	SCREW (6X10)	1	

FIG.143

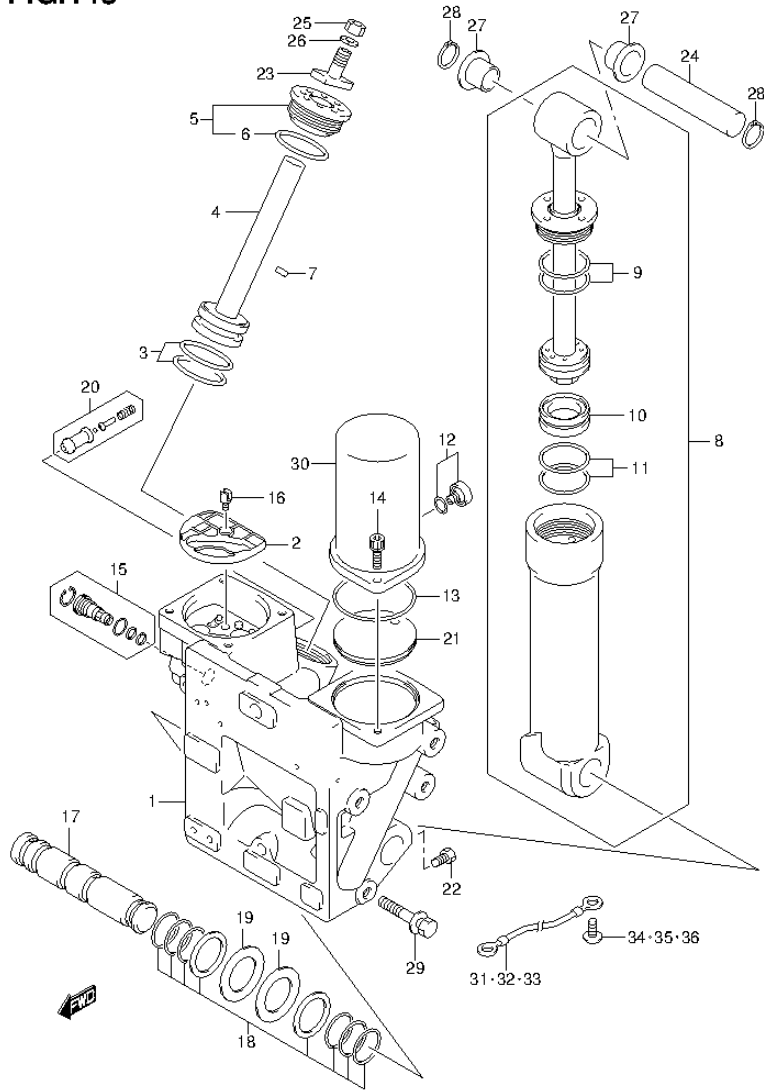


FIG.143 (2-E-10) TRIM CYLINDER TRANSOM(X,XX) (DF250T E03)

REF NO.	PART NO.	DESCRIPTION	Q'TY	REMARKS
35	09125-06063	SCREW (6X10)	1	
36	09125-06063	SCREW (6X10)	1	

FIG.144

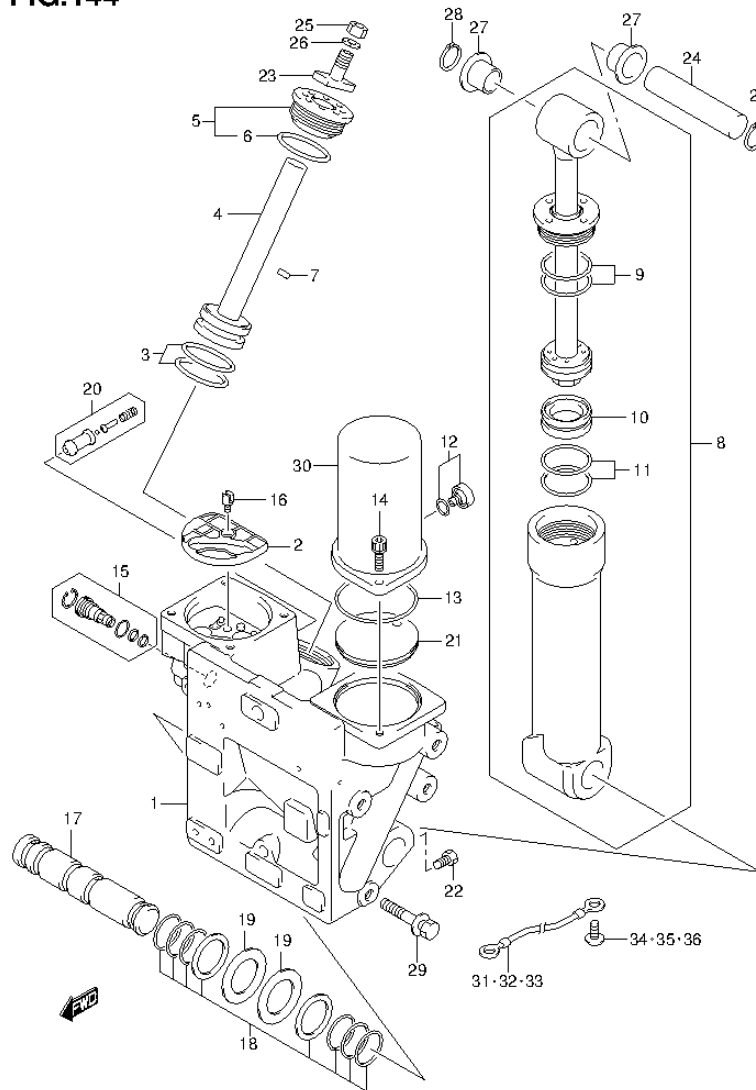
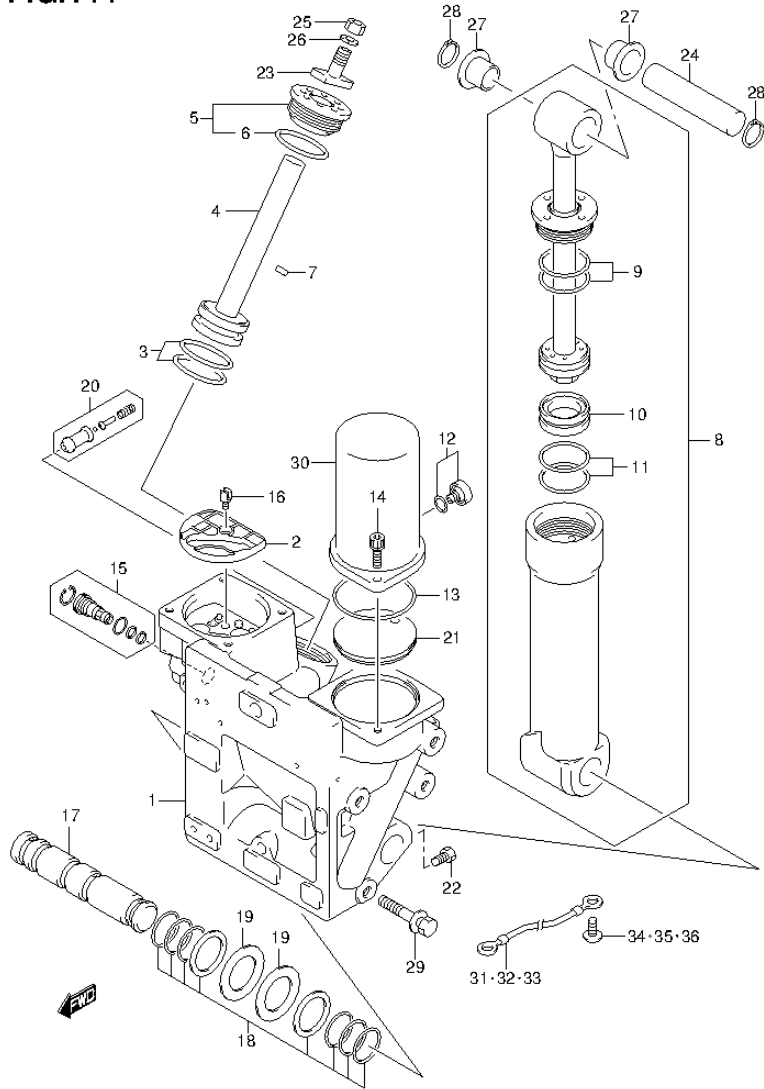


FIG.144 (2-E-11) TRIM CYLINDER TRANSOM(X,XX) (DF250Z E03)

REF NO.	PART NO.	DESCRIPTION	Q'TY	REMARKS
1	48500-93J05	MANIFOLD ASSY	1	
2	48582-95E01	.FILTER	1	
3	48605-93J00	.O RING SET	2	
4	48610-93J01	.PISTON / RAM	2	
5	48630-98J01	.ROD GUIDE	2	
6	48633-93J00	..O RING	2	
7	48691-93J00	.CHECK VALVE	1	
8	48400-93J06	CYLINDER ASSY	1	
9	48405-93J00	.O RING SET	1	
10	48650-93J00	.PISTON, FREE	1	
11	48627-93J00	.O RING SET	1	
12	48572-87J10	PLUG	1	
13	48585-95E00	O RING	1	
14	48862-87J20	BOLT, RESERVOIR	2	
15	48864-93J01	MANUAL VALVE	1	
16	48583-95E00	JOINT, DRIVE	1	
17	48121-93J13	SHAFT	1	
18	48125-93J00	O RING SET	1	
19	48126-93J00	WASHER, TILT CYL TO MANIF	2	
20	48320-93J00	VALVE SET, UP BLOW	1	
21	48573-93J00	COVER	1	
22	48128-93J11	BOLT	1	
23	48311-96J10	PAD, TRIM CYL RAM	2	
24	48321-93J00	SHAFT, TILT CYL UPPER	1	
25	29141-93J20	NUT, TRIM CYL RAM	2	
26	09162-10005	LOCK WASHER (10.2X18.4X2.5)	2	
27	09306-24001	BUSH	2	
28	09380-21002	CIRCLIP	2	
29	09116-10175	BOLT (10X50)	8	
30	48571-93J00	RESERVOIR TANK	1	
31	36894-87D00	LEAD, PTT TO ANODE	1	
32	36895-87D01	LEAD, PTT TO ANODE	1	
33	36895-87D01	LEAD, PTT TO ANODE	1	
34	09125-06063	SCREW (6X10)	1	

FIG.144



DF250 E03 012_144
TRIM CYLINDER

FIG.144 (2-E-12) TRIM CYLINDER TRANSOM(X,XX) (DF250Z E03)

REF NO.	PART NO.	DESCRIPTION	Q'TY	REMARKS
35	09125-06063	SCREW (6X10)	1	
36	09125-06063	SCREW (6X10)	1	

DF250 E03 012

FIG.145

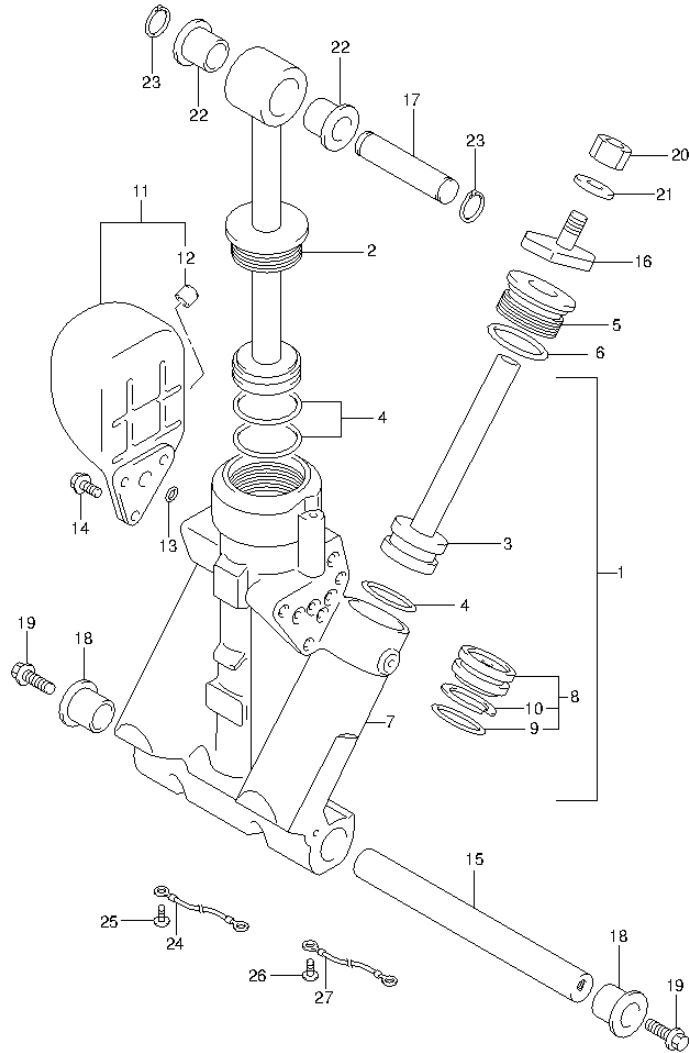


FIG.145 (2-E-13) TRIM CYLINDER TRANSOM(L) (DF200T E03)

REF NO.	PART NO.	DESCRIPTION	Q'TY	REMARKS
1	48503-93J12	MANIFOLD SUB ASSY	1	
2	48401-93J10	.PISTON ASSY	1	
3	48601-94900	.PISTON / RAM ASSY	2	
4	48627-95E00	.O RING SET	3	
5	48630-96J02	.HEAD, TRIM CYLINDER	2	
6	48633-94900	.O RING SET (2PCS)	2	
7	48641-96J02	.MANIFOLD, PTT	1	
8	48650-94900	.PISTON, FREE	1	
9	48405-87D00	..O RING	1	
10	48615-97E00	..RING SET, PISTON	1	
11	48570-95E01	RESERVOIR	1	
12	48572-95E00	.CAP	1	
13	48588-94900	O RING SET (6PCS)	1	
14	48861-92J01	BOLT, RESERVOIR	3	
15	48121-92J00	SHAFT, TILT CYL LOWER	1	
16	48311-96J10	PAD, TRIM CYL RAM	2	
17	48321-87D03	SHAFT, TILT CYL UPPER	1	
18	48326-95E00	BUSH, TILT CYL LOWER	2	
19	09116-10174	BOLT (10X35)	2	
20	29141-93J20	NUT, TRIM CYL RAM (M10)	2	
21	09162-10005	LOCK WASHER (10.2X18.4X2.5)	2	
22	09306-17001	BUSH	2	
23	09380-17009	CIRCLIP	2	
24	36894-87D00	LEAD, PTT TO ANODE	1	
25	09125-06063	SCREW (6X10)	1	
26	09125-05050	SCREW (5X8)	1	
27	36895-87D10	LEAD, PTT TO ANODE L	1	

FIG.146

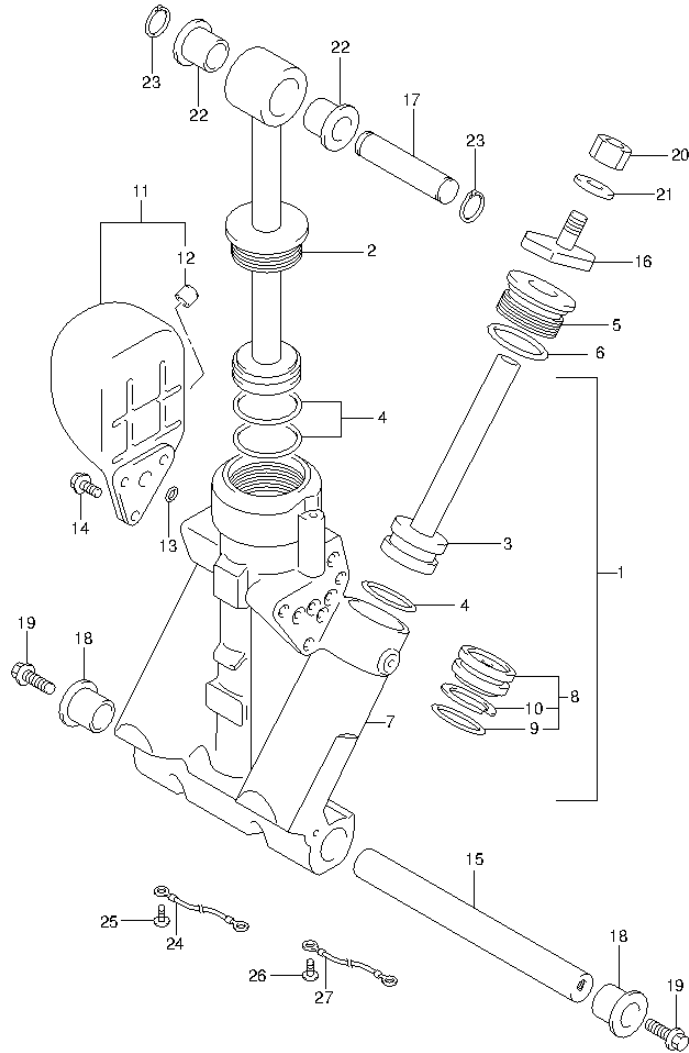


FIG.146 (2-E-14) TRIM CYLINDER TRANSOM(L) (DF250ST E03)

REF NO.	PART NO.	DESCRIPTION	Q'TY	REMARKS
1	48503-93J12	MANIFOLD SUB ASSY	1	
2	48401-93J10	.PISTON ASSY	1	
3	48601-94900	.PISTON / RAM ASSY	2	
4	48627-95E00	.O RING SET	3	
5	48630-96J02	.HEAD, TRIM CYLINDER	2	
6	48633-94900	.O RING SET (2PCS)	2	
7	48641-96J02	.MANIFOLD, PTT	1	
8	48650-94900	.PISTON, FREE	1	
9	48405-87D00	..O RING	1	
10	48615-97E00	..RING SET, PISTON	1	
11	48570-95E01	RESERVOIR	1	
12	48572-95E00	.CAP	1	
13	48588-94900	O RING SET (6PCS)	1	
14	48861-92J01	BOLT, RESERVOIR	3	
15	48121-92J00	SHAFT, TILT CYL LOWER	1	
16	48311-96J10	PAD, TRIM CYL RAM	2	
17	48321-87D03	SHAFT, TILT CYL UPPER	1	
18	48326-95E00	BUSH, TILT CYL LOWER	2	
19	09116-10174	BOLT (10X35)	2	
20	29141-93J20	NUT, TRIM CYL RAM (M10)	2	
21	09162-10005	LOCK WASHER (10.2X18.4X2.5)	2	
22	09306-17001	BUSH	2	
23	09380-17009	CIRCLIP	2	
24	36894-87D00	LEAD, PTT TO ANODE	1	
25	09125-06063	SCREW (6X10)	1	
26	09125-05050	SCREW (5X8)	1	
27	36895-87D10	LEAD, PTT TO ANODE L	1	

FIG.147

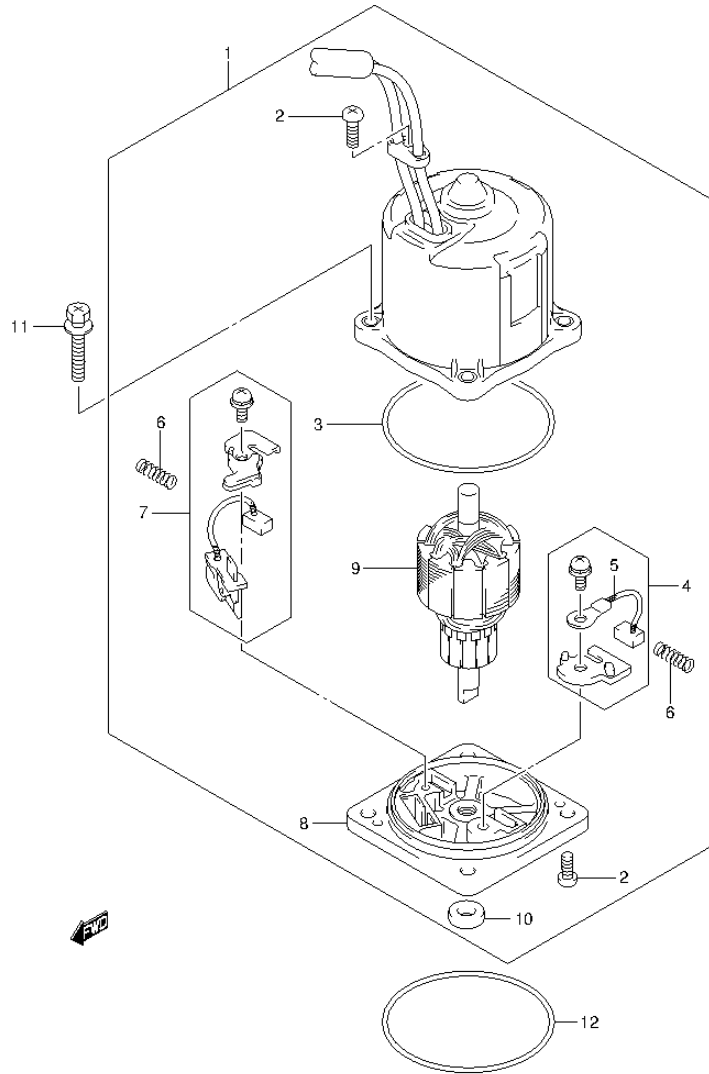


FIG.147 (2-E-15) PTT MOTOR TRANSOM(X) (DF200T E03)

REF NO.	PART NO.	DESCRIPTION	Q'TY	REMARKS
1	38100-93J03	MOTOR ASSY, PTT	1	
2	31111-94900	.SCREW, YOKE	3	
3	31123-94910	.O RING	1	
4	31133-90J00	.BRUSH SET, PLUS	1	
5	31133-94900	.BRUSH	1	
6	31135-94900	.SPRING	2	
7	31136-90J10	.BREAKER	1	
8	31173-94910	.HOLDER, BRUSH	1	
9	31311-93J00	.ARMATURE	1	
10	33799-97E00	.OIL SEAL	1	
11	31281-92J10	BOLT	4	
12	48585-95E00	O RING	1	

FIG.148

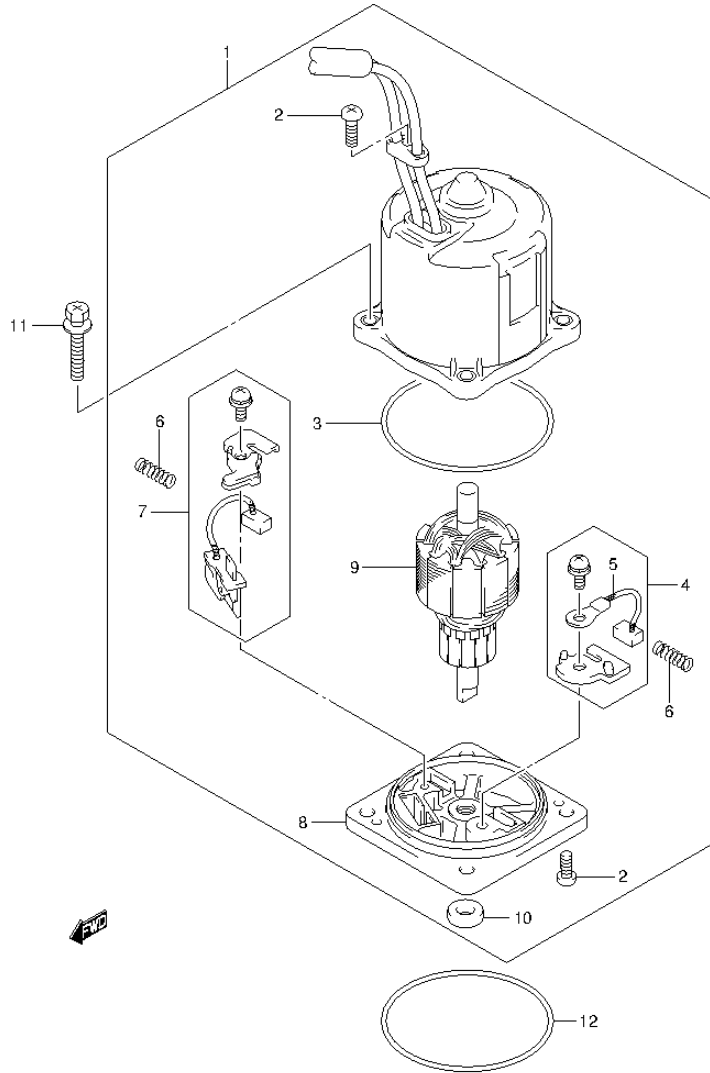


FIG.148 (2-F-2) PTT MOTOR TRANSOM(X) (DF200Z E03)

REF NO.	PART NO.	DESCRIPTION	Q'TY	REMARKS
1	38100-93J03	MOTOR ASSY, PTT	1	
2	31111-94900	.SCREW, YOKE	3	
3	31123-94910	.O RING	1	
4	31133-90J00	.BRUSH SET, PLUS	1	
5	31133-94900	.BRUSH	1	
6	31135-94900	.SPRING	2	
7	31136-90J10	.BREAKER	1	
8	31173-94910	.HOLDER, BRUSH	1	
9	31311-93J00	.ARMATURE	1	
10	33799-97E00	.OIL SEAL	1	
11	31281-92J10	BOLT	4	
12	48585-95E00	O RING	1	

FIG.149

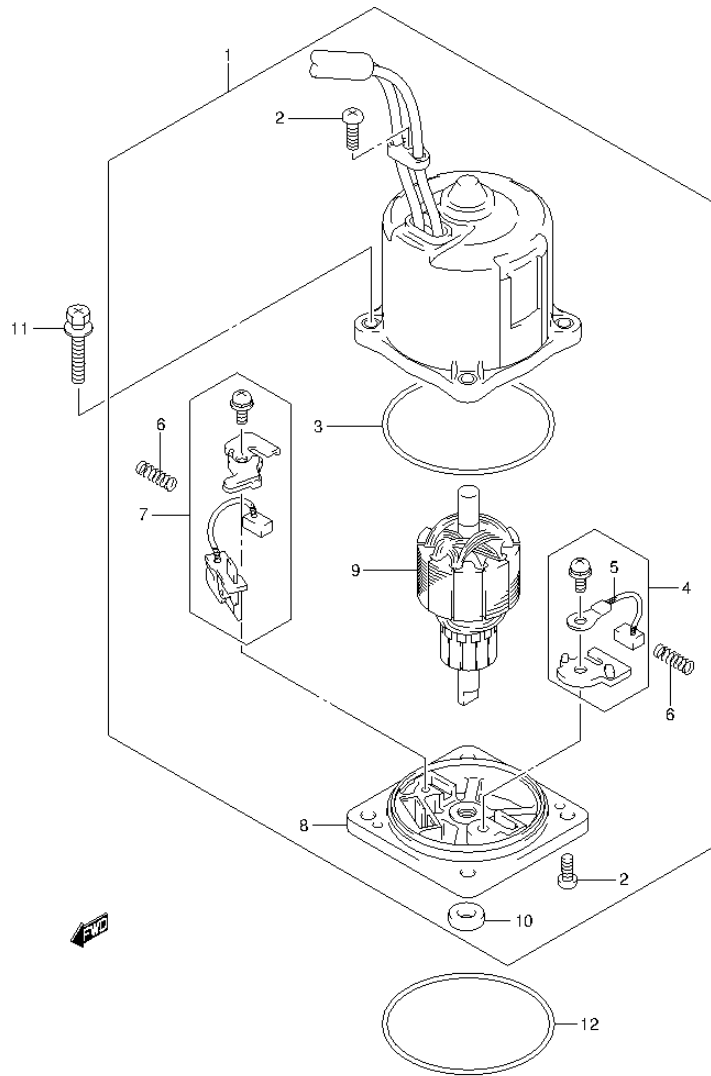


FIG.149 (2-F-3) PTT MOTOR TRANSOM(X,XX) (DF225T E03)

REF NO.	PART NO.	DESCRIPTION	Q'TY	REMARKS
1	38100-93J03	MOTOR ASSY, PTT	1	
2	31111-94900	.SCREW, YOKE	3	
3	31123-94910	.O RING	1	
4	31133-90J00	.BRUSH SET, PLUS	1	
5	31133-94900	.BRUSH	1	
6	31135-94900	.SPRING	2	
7	31136-90J10	.BREAKER	1	
8	31173-94910	.HOLDER, BRUSH	1	
9	31311-93J00	.ARMATURE	1	
10	33799-97E00	.OIL SEAL	1	
11	31281-92J10	BOLT	4	
12	48585-95E00	O RING	1	

FIG.150

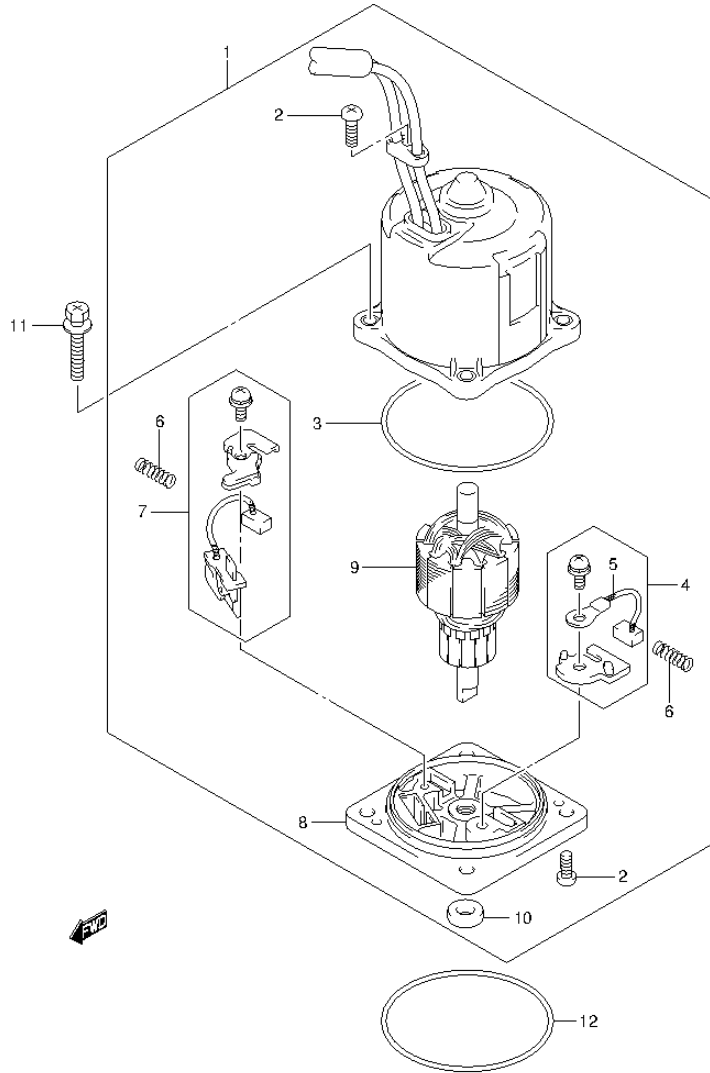


FIG.150 (2-F-4) PTT MOTOR TRANSOM(X,XX) (DF225Z E03)

REF NO.	PART NO.	DESCRIPTION	Q'TY	REMARKS
1	38100-93J03	MOTOR ASSY, PTT	1	
2	31111-94900	.SCREW, YOKE	3	
3	31123-94910	.O RING	1	
4	31133-90J00	.BRUSH SET, PLUS	1	
5	31133-94900	.BRUSH	1	
6	31135-94900	.SPRING	2	
7	31136-90J10	.BREAKER	1	
8	31173-94910	.HOLDER, BRUSH	1	
9	31311-93J00	.ARMATURE	1	
10	33799-97E00	.OIL SEAL	1	
11	31281-92J10	BOLT	4	
12	48585-95E00	O RING	1	

FIG.151

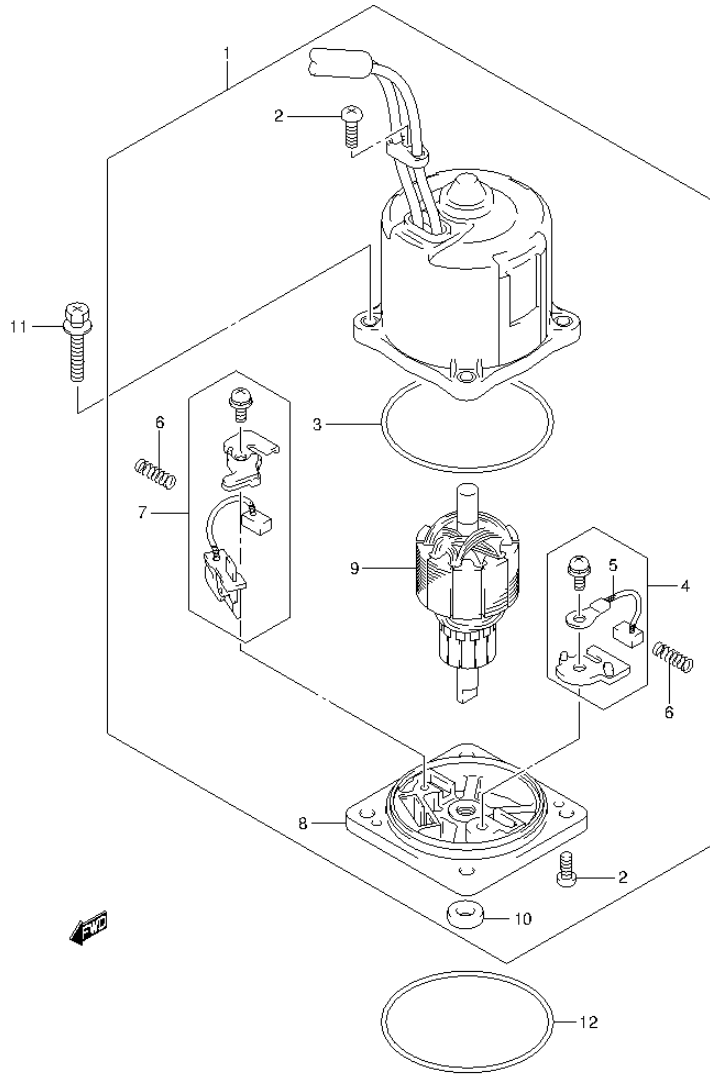


FIG.151 (2-F-5) PTT MOTOR TRANSOM(X,XX) (DF250T E03)

REF NO.	PART NO.	DESCRIPTION	Q'TY	REMARKS
1	38100-93J03	MOTOR ASSY, PTT	1	
2	31111-94900	.SCREW, YOKE	3	
3	31123-94910	.O RING	1	
4	31133-90J00	.BRUSH SET, PLUS	1	
5	31133-94900	.BRUSH	1	
6	31135-94900	.SPRING	2	
7	31136-90J10	.BREAKER	1	
8	31173-94910	.HOLDER, BRUSH	1	
9	31311-93J00	.ARMATURE	1	
10	33799-97E00	.OIL SEAL	1	
11	31281-92J10	BOLT	4	
12	48585-95E00	O RING	1	

FIG.152

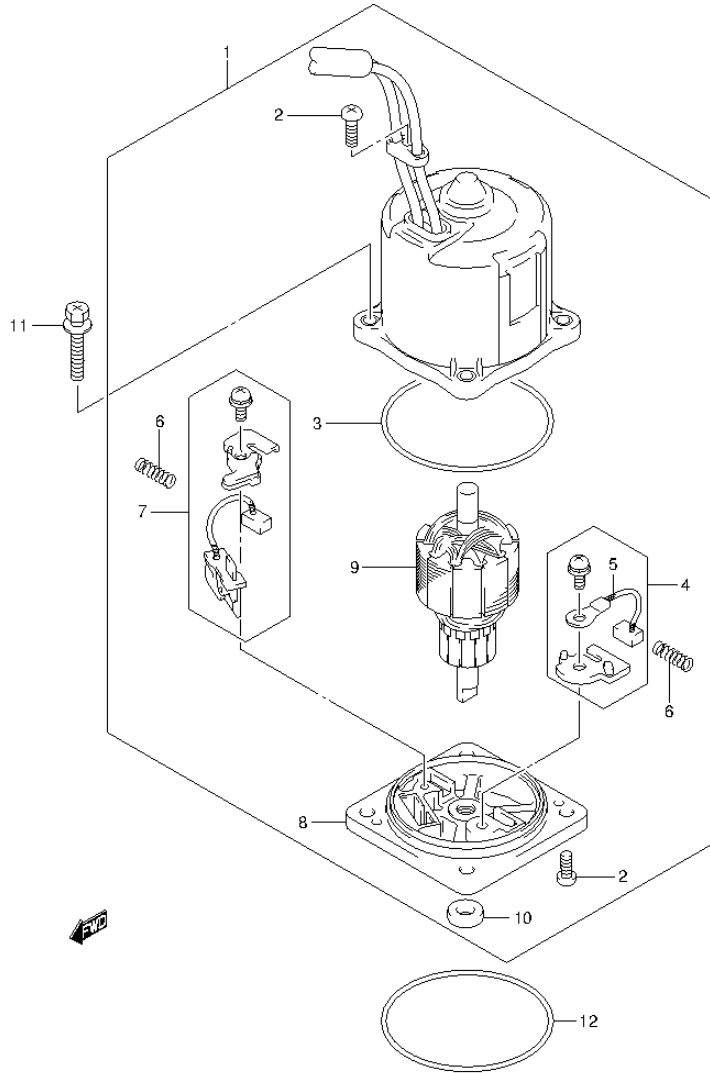


FIG.152 (2-F-6) PTT MOTOR TRANSOM(X,XX) (DF250Z E03)

REF NO.	PART NO.	DESCRIPTION	Q'TY	REMARKS
1	38100-93J03	MOTOR ASSY, PTT	1	
2	31111-94900	.SCREW, YOKE	3	
3	31123-94910	.O RING	1	
4	31133-90J00	.BRUSH SET, PLUS	1	
5	31133-94900	.BRUSH	1	
6	31135-94900	.SPRING	2	
7	31136-90J10	.BREAKER	1	
8	31173-94910	.HOLDER, BRUSH	1	
9	31311-93J00	.ARMATURE	1	
10	33799-97E00	.OIL SEAL	1	
11	31281-92J10	BOLT	4	
12	48585-95E00	O RING	1	

FIG.153

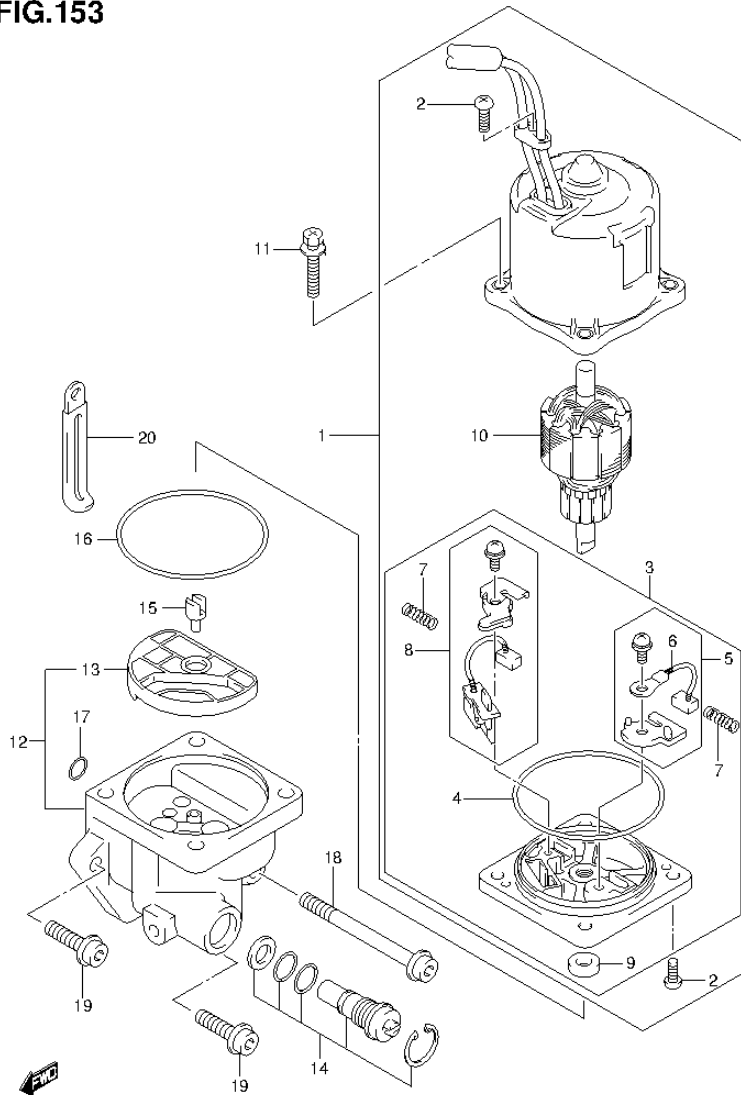


FIG.153 (2-F-7) PTT MOTOR TRANSOM(L) (DF200T E03)

REF NO.	PART NO.	DESCRIPTION	Q'TY	REMARKS
1	38100-93J11	MOTOR ASSY, PTT	1	
2	31111-94900	.SCREW, YOKE	3	
3	31173-94910	.HOLDER, BRUSH	1	
4	31123-94910	..O RING	1	
5	31133-90J00	..BRUSH SET, PLUS	1	
6	31133-94900	...BRUSH	1	
7	31135-94900	..SPRING	2	
8	31136-90J10	..BREAKER	1	
9	33799-97E00	..OIL SEAL	1	
10	31311-94900	..ARMATURE	1	
11	31281-92J10	BOLT	4	
12	48502-93J14	PUMP ASSY	1	
13	48582-95E01	.FILTER	1	
14	48864-96J10	.VALVE, MANUAL	1	
15	48583-95E00	JOINT, DRIVE	1	
16	48585-95E00	O RING	1	
17	48588-94900	O RING SET (6PCS)	1	
18	48862-92J20	BOLT	1	
19	48862-92J30	BOLT	2	
20	29404-93J10	CLAMP	1	

FIG.154

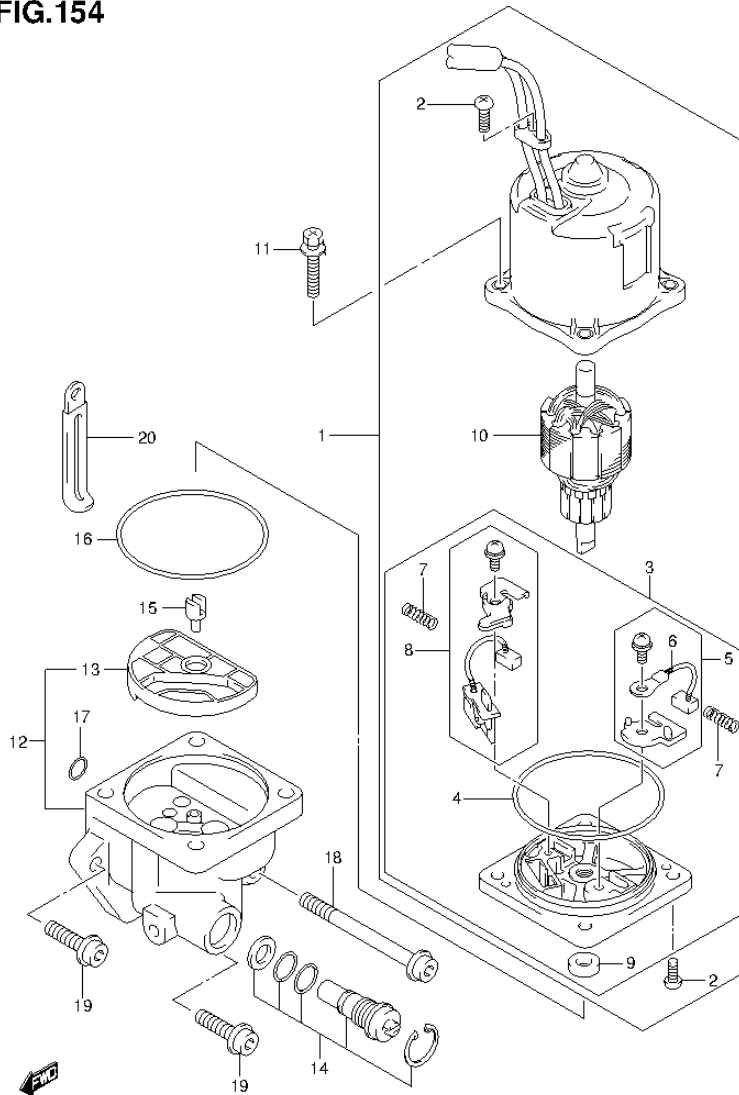


FIG.154 (2-F-8) PTT MOTOR TRANSOM(L) (DF250ST E03)

REF NO.	PART NO.	DESCRIPTION	Q'TY	REMARKS
1	38100-93J11	MOTOR ASSY, PTT	1	
2	31111-94900	.SCREW, YOKE	3	
3	31173-94910	.HOLDER, BRUSH	1	
4	31123-94910	..O RING	1	
5	31133-90J00	..BRUSH SET, PLUS	1	
6	31133-94900	...BRUSH	1	
7	31135-94900	..SPRING	2	
8	31136-90J10	..BREAKER	1	
9	33799-97E00	..OIL SEAL	1	
10	31311-94900	..ARMATURE	1	
11	31281-92J10	BOLT	4	
12	48502-93J14	PUMP ASSY	1	
13	48582-95E01	..FILTER	1	
14	48864-96J10	..VALVE, MANUAL	1	
15	48583-95E00	JOINT, DRIVE	1	
16	48585-95E00	O RING	1	
17	48588-94900	O RING SET (6PCS)	1	
18	48862-92J20	BOLT	1	
19	48862-92J30	BOLT	2	
20	29404-93J10	CLAMP	1	

FIG.155

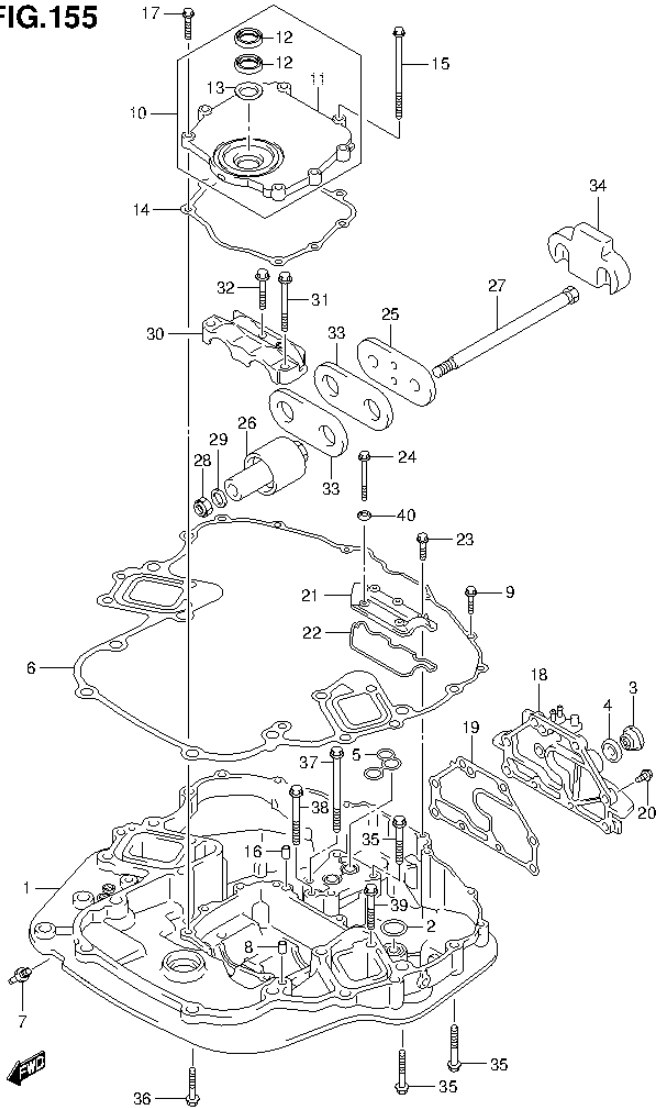


FIG.155 (2-F-9) ENGINE HOLDER (DF200T E03)

REF NO.	PART NO.	DESCRIPTION	Q'TY	REMARKS
1	51111-93J03-0EP	HOLDER, ENGINE (BLACK)	1	
2	16519-93J00	SEAL, ENGINE HOLDER OIL	1	
3	17913-93J00	PLUG, WATER	1	
4	17914-93J00	GASKET, WATER PLUG	1	
5	51116-93J00	SEAL, WATER RETURN	1	
6	51211-93J00	GASKET, ENGINE HOLDER	1	
7	61155-93J20	UNION, WATER INDICATOR	1	
8	09206-08001	PIN (8X11)	2	
9	01550-08307	BOLT	6	
10	51120-93J00	COVER, ASSY MOUNT OIL SEAL	1	
11	51122-93J02	.COVER, MOUNT OIL SEAL	1	
12	51124-93J00	.OIL SEAL	2	
13	51125-93J00	.SCRAPER	1	
14	51123-93J00	GASKET, MOUNT OIL SEAL COVER	1	
15	09103-08109	BOLT (8X120)	2	
16	09206-08001	PIN (8X11)	2	
17	01550-0830A	BOLT	6	
18-1	51140-98J00-0EP	COVER, ENGINE HOLDER (BLACK)	1	W/TRANSOM(X)
18-2	51140-93J10-0EP	COVER, ENGINE HOLDER (L) (BLACK)	1	W/TRANSOM(L)
19	51142-93J00	GASKET, ENGINE HOLDER COV	1	
20	09116-08122	BOLT (8X30)	8	
21	51151-93J00	COVER, ENGINE HOLDER UPPER	1	
22	51152-93J00	SEAL, ENGINE HOLDER UPPER COV	1	
23	01550-08307	BOLT	3	
24	01550-08607	BOLT	2	
25	54123-93J02	PLATE, UPPER MOUNT	1	
26	54130-93J01	MOUNT, UPPER	2	
27	09100-14004	BOLT (14X220)	2	
28	09159-14026	NUT	2	
29	09160-15051	WASHER (15X24X3)	2	
30	54137-93J02	COVER, UPPER MOUNT	1	
31	09116-10135	BOLT (10X95)	2	
32	09116-10175	BOLT (10X50)	1	

FIG.155

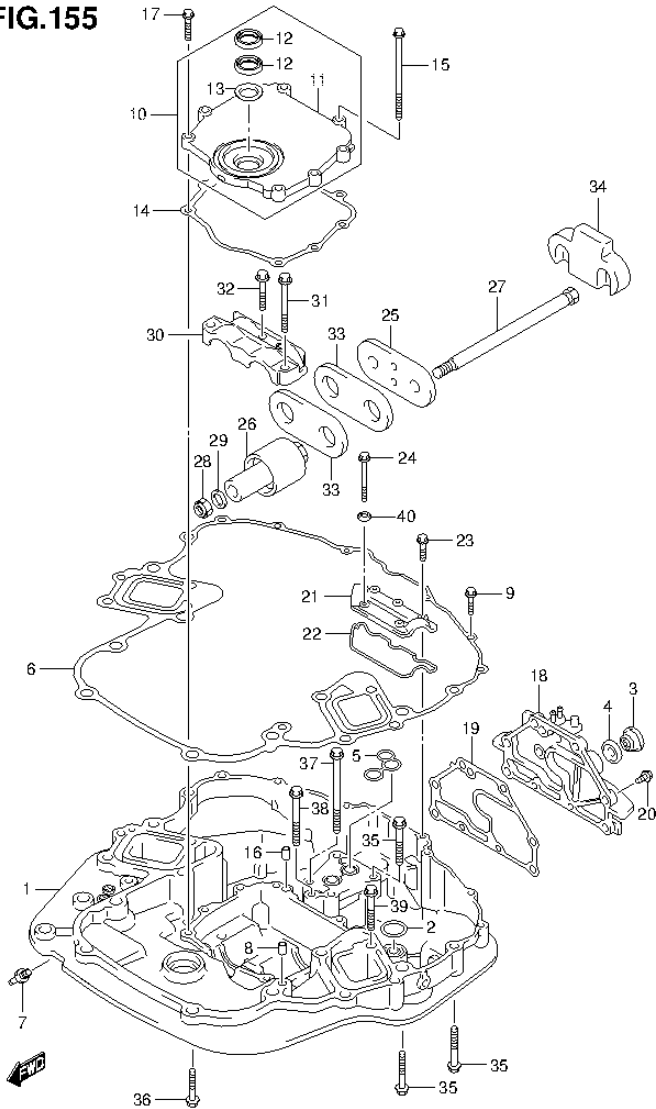


FIG.155 (2-F-10) ENGINE HOLDER (DF200T E03)

REF NO.	PART NO.	DESCRIPTION	Q'TY	REMARKS
33	54121-98J00	STOPPER, UPPER THRUST	2	
34	54125-93J00	MOUNT, UPPER THRUST REVERSE	1	
35	09116-10137	BOLT (10X70)	6	
36	09116-10175	BOLT (10X50)	4	
37	09116-10146	BOLT (10X195)	2	
38	09116-10134	BOLT (10X115)	1	
39	09116-08126	BOLT (8X65)	4	
40	09169-08038	WASHER (8.3X15X3)	2	

FIG.156

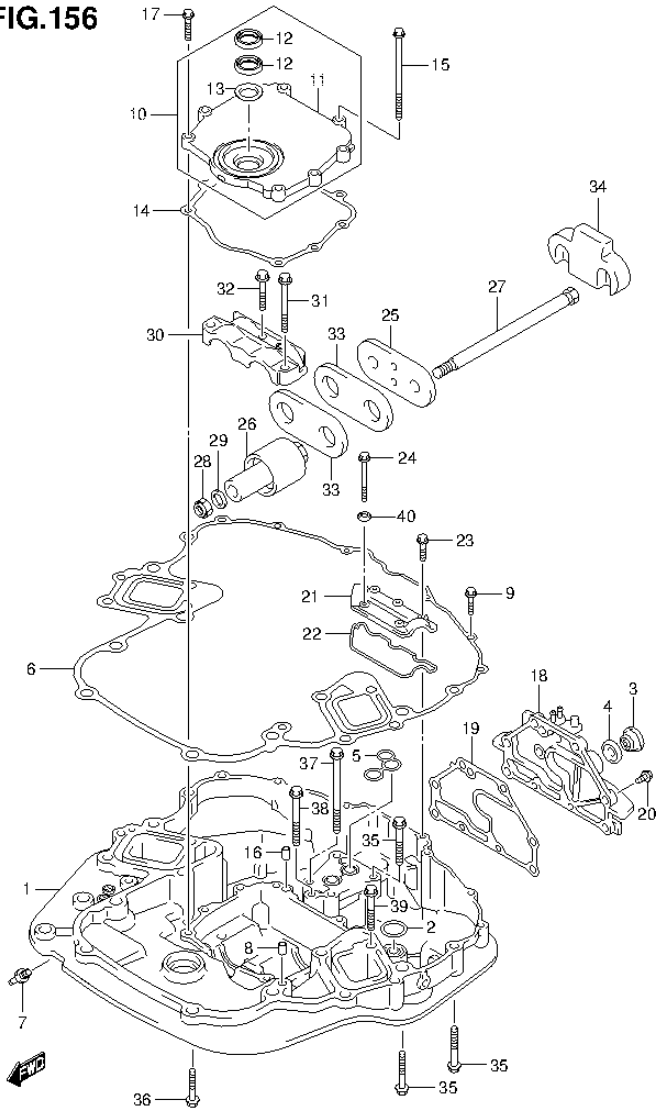


FIG.156 (2-F-11) ENGINE HOLDER (DF200Z E03)

REF NO.	PART NO.	DESCRIPTION	Q'TY	REMARKS
1	51111-93J03-0EP	HOLDER, ENGINE (BLACK)	1	
2	16519-93J00	SEAL, ENGINE HOLDER OIL	1	
3	17913-93J00	PLUG, WATER	1	
4	17914-93J00	GASKET, WATER PLUG	1	
5	51116-93J00	SEAL, WATER RETURN	1	
6	51211-93J00	GASKET, ENGINE HOLDER	1	
7	61155-93J20	UNION, WATER INDICATOR	1	
8	09206-08001	PIN (8X11)	2	
9	01550-08307	BOLT	6	
10	51120-93J00	COVER, ASSY MOUNT OIL SEAL	1	
11	51122-93J02	.COVER, MOUNT OIL SEAL	1	
12	51124-93J00	.OIL SEAL	2	
13	51125-93J00	.SCRAPER	1	
14	51123-93J00	GASKET, MOUNT OIL SEAL COVER	1	
15	09103-08109	BOLT (8X120)	2	
16	09206-08001	PIN (8X11)	2	
17	01550-0830A	BOLT	6	
18	51140-98J00-0EP	COVER, ENGINE HOLDER (BLACK)	1	W/TRANSOM(X)
19	51142-93J00	GASKET, ENGINE HOLDER COV	1	
20	09116-08122	BOLT (8X30)	8	
21	51151-93J00	COVER, ENGINE HOLDER UPPER	1	
22	51152-93J00	SEAL, ENGINE HOLDER UPPER COV	1	
23	01550-08307	BOLT	3	
24	01550-08607	BOLT	2	
25	54123-93J02	PLATE, UPPER MOUNT	1	
26	54130-93J01	MOUNT, UPPER	2	
27	09100-14004	BOLT (14X220)	2	
28	09159-14026	NUT	2	
29	09160-15051	WASHER (15X24X3)	2	
30	54137-93J02	COVER, UPPER MOUNT	1	
31	09116-10135	BOLT (10X95)	2	
32	09116-10175	BOLT (10X50)	1	
33	54121-98J00	STOPPER, UPPER THRUST	2	
34	54125-93J00	MOUNT, UPPER THRUST REVERSE	1	

FIG.156

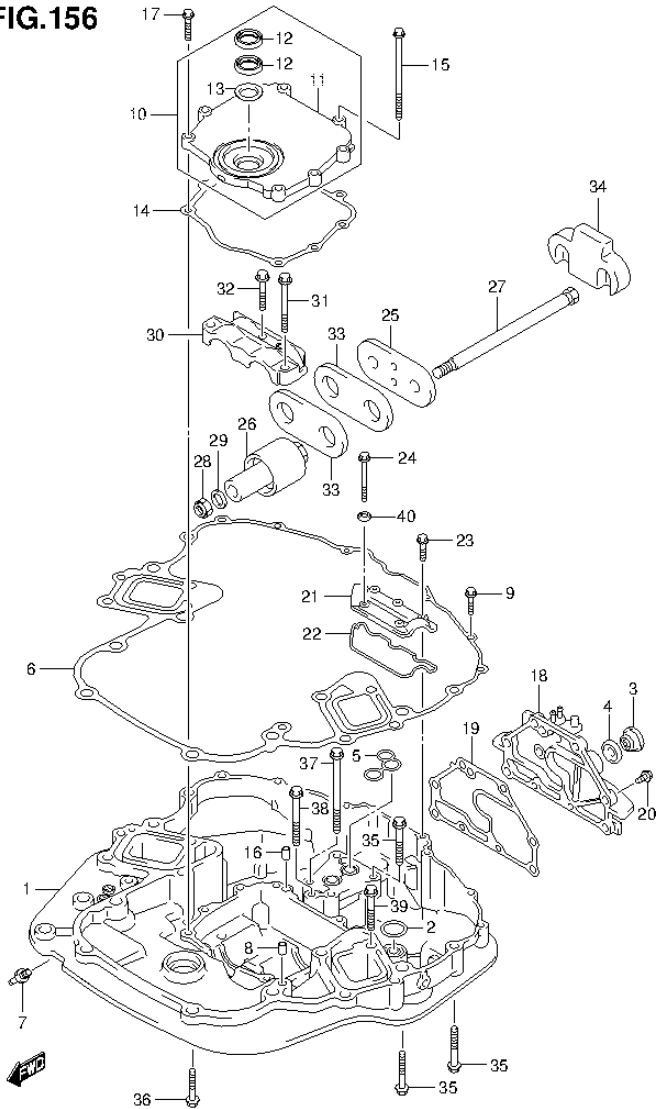


FIG.156 (2-F-12) ENGINE HOLDER (DF200Z E03)

REF NO.	PART NO.	DESCRIPTION	Q'TY	REMARKS
35	09116-10137	BOLT (10X70)	6	
36	09116-10175	BOLT (10X50)	4	
37	09116-10146	BOLT (10X195)	2	
38	09116-10134	BOLT (10X115)	1	
39	09116-08126	BOLT (8X65)	4	
40	09169-08038	WASHER (8.3X15X3)	2	

FIG.157

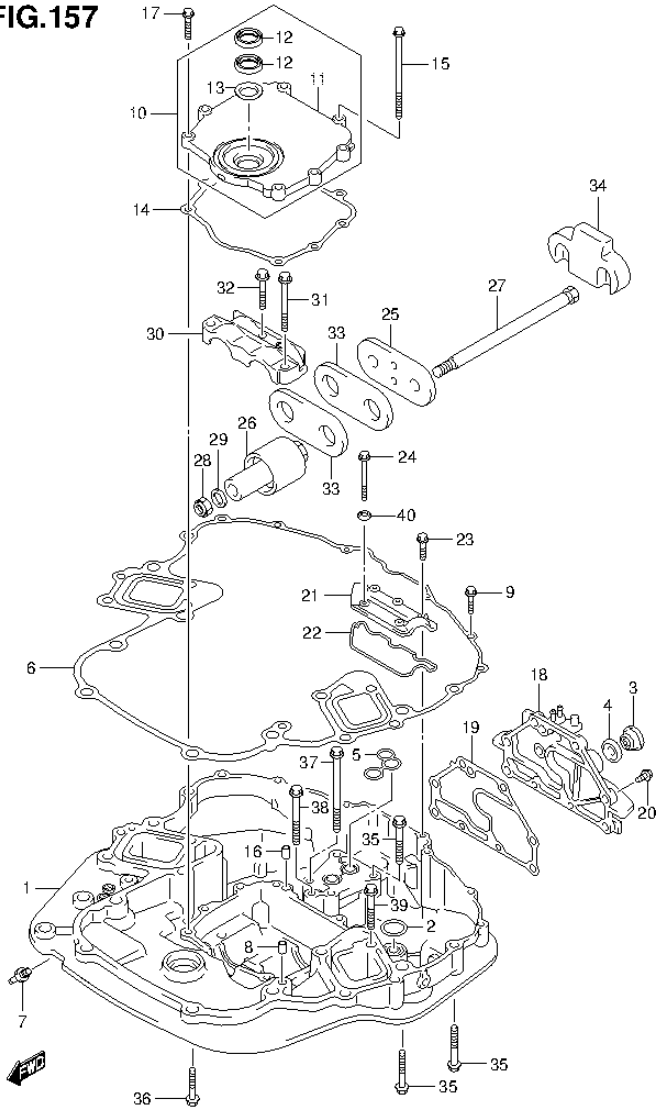


FIG.157 (2-F-13) ENGINE HOLDER (DF225T E03)

REF NO.	PART NO.	DESCRIPTION	Q'TY	REMARKS
1	51111-93J03-0EP	HOLDER, ENGINE (BLACK)	1	
2	16519-93J00	SEAL, ENGINE HOLDER OIL	1	
3	17913-93J00	PLUG, WATER	1	
4	17914-93J00	GASKET, WATER PLUG	1	
5	51116-93J00	SEAL, WATER RETURN	1	
6	51211-93J00	GASKET, ENGINE HOLDER	1	
7	61155-93J20	UNION, WATER INDICATOR	1	
8	09206-08001	PIN (8X11)	2	
9	01550-08307	BOLT	6	
10	51120-93J00	COVER, ASSY MOUNT OIL SEAL	1	
11	51122-93J02	.COVER, MOUNT OIL SEAL	1	
12	51124-93J00	.OIL SEAL	2	
13	51125-93J00	.SCRAPER	1	
14	51123-93J00	GASKET, MOUNT OIL SEAL COVER	1	
15	09103-08109	BOLT (8X120)	2	
16	09206-08001	PIN (8X11)	2	
17	01550-0830A	BOLT	6	
18	51140-98J00-0EP	COVER, ENGINE HOLDER (BLACK)	1	W/TRANSOM(X,XX)
19	51142-93J00	GASKET, ENGINE HOLDER COV	1	
20	09116-08122	BOLT (8X30)	8	
21	51151-93J00	COVER, ENGINE HOLDER UPPER	1	
22	51152-93J00	SEAL, ENGINE HOLDER UPPER COV	1	
23	01550-08307	BOLT	3	
24	01550-08607	BOLT	2	
25	54123-93J02	PLATE, UPPER MOUNT	1	
26	54130-93J01	MOUNT, UPPER	2	
27	09100-14004	BOLT (14X220)	2	
28	09159-14026	NUT	2	
29	09160-15051	WASHER (15X24X3)	2	
30	54137-93J02	COVER, UPPER MOUNT	1	
31	09116-10135	BOLT (10X95)	2	
32	09116-10175	BOLT (10X50)	1	
33	54121-98J00	STOPPER, UPPER THRUST	2	
34	54125-93J00	MOUNT, UPPER THRUST REVERSE	1	

FIG.157

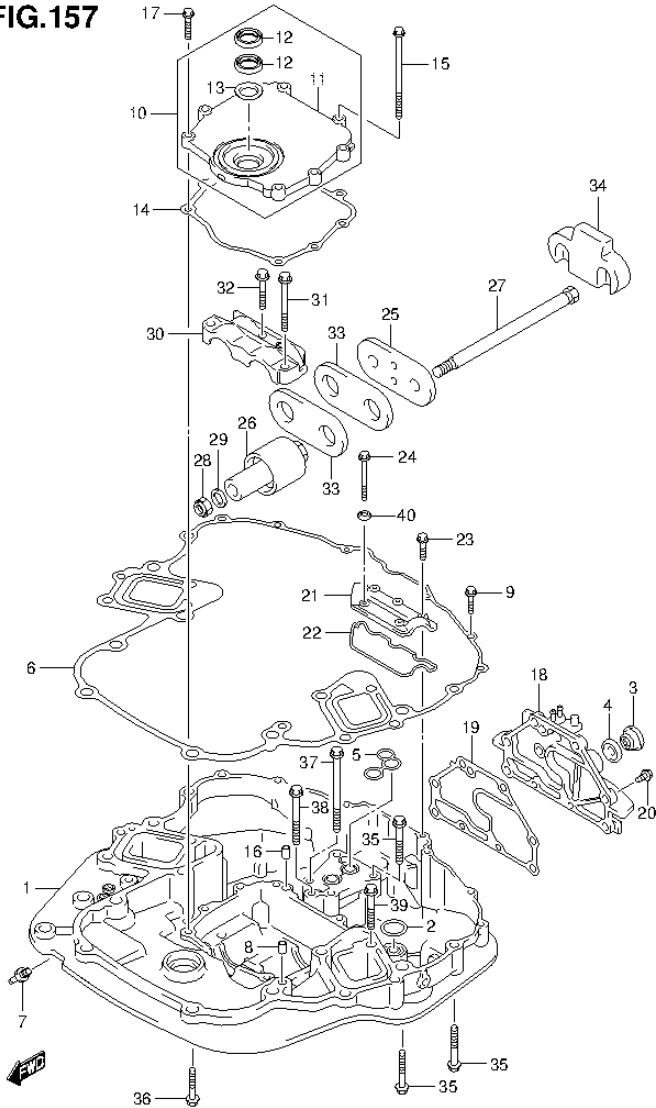


FIG.157 (2-F-14) ENGINE HOLDER (DF225T E03)

REF NO.	PART NO.	DESCRIPTION	Q'TY	REMARKS
35	09116-10137	BOLT (10X70)	6	
36	09116-10175	BOLT (10X50)	4	
37	09116-10146	BOLT (10X195)	2	
38	09116-10134	BOLT (10X115)	1	
39	09116-08126	BOLT (8X65)	4	
40	09169-08038	WASHER (8.3X15X3)	2	

FIG.158

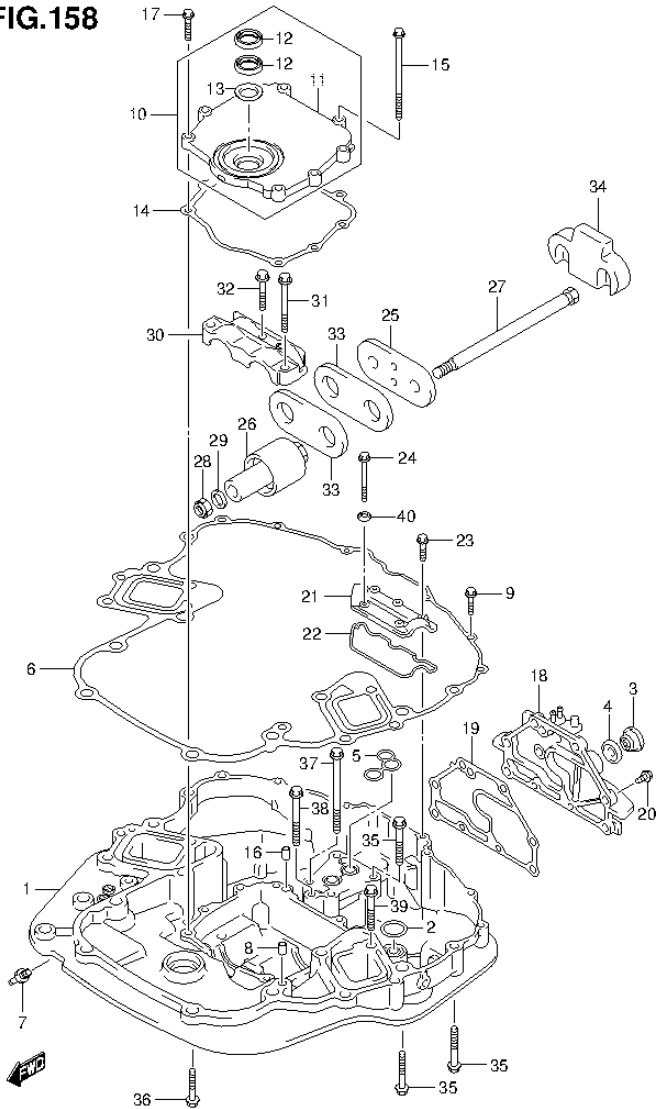


FIG.158 (2-F-15) ENGINE HOLDER (DF225Z E03)

REF NO.	PART NO.	DESCRIPTION	Q'TY	REMARKS
1	51111-93J03-0EP	HOLDER, ENGINE (BLACK)	1	
2	16519-93J00	SEAL, ENGINE HOLDER OIL	1	
3	17913-93J00	PLUG, WATER	1	
4	17914-93J00	GASKET, WATER PLUG	1	
5	51116-93J00	SEAL, WATER RETURN	1	
6	51211-93J00	GASKET, ENGINE HOLDER	1	
7	61155-93J20	UNION, WATER INDICATOR	1	
8	09206-08001	PIN (8X11)	2	
9	01550-08307	BOLT	6	
10	51120-93J00	COVER, ASSY MOUNT OIL SEAL	1	
11	51122-93J02	.COVER, MOUNT OIL SEAL	1	
12	51124-93J00	.OIL SEAL	2	
13	51125-93J00	.SCRAPER	1	
14	51123-93J00	GASKET, MOUNT OIL SEAL COVER	1	
15	09103-08109	BOLT (8X120)	2	
16	09206-08001	PIN (8X11)	2	
17	01550-0830A	BOLT	6	
18	51140-98J00-0EP	COVER, ENGINE HOLDER (BLACK)	1	W/TRANSOM(X,XX)
19	51142-93J00	GASKET, ENGINE HOLDER COV	1	
20	09116-08122	BOLT (8X30)	8	
21	51151-93J00	COVER, ENGINE HOLDER UPPER	1	
22	51152-93J00	SEAL, ENGINE HOLDER UPPER COV	1	
23	01550-08307	BOLT	3	
24	01550-08607	BOLT	2	
25	54123-93J02	PLATE, UPPER MOUNT	1	
26	54130-93J01	MOUNT, UPPER	2	
27	09100-14004	BOLT (14X220)	2	
28	09159-14026	NUT	2	
29	09160-15051	WASHER (15X24X3)	2	
30	54137-93J02	COVER, UPPER MOUNT	1	
31	09116-10135	BOLT (10X95)	2	
32	09116-10175	BOLT (10X50)	1	
33	54121-98J00	STOPPER, UPPER THRUST	2	
34	54125-93J00	MOUNT, UPPER THRUST REVERSE	1	

FIG.158

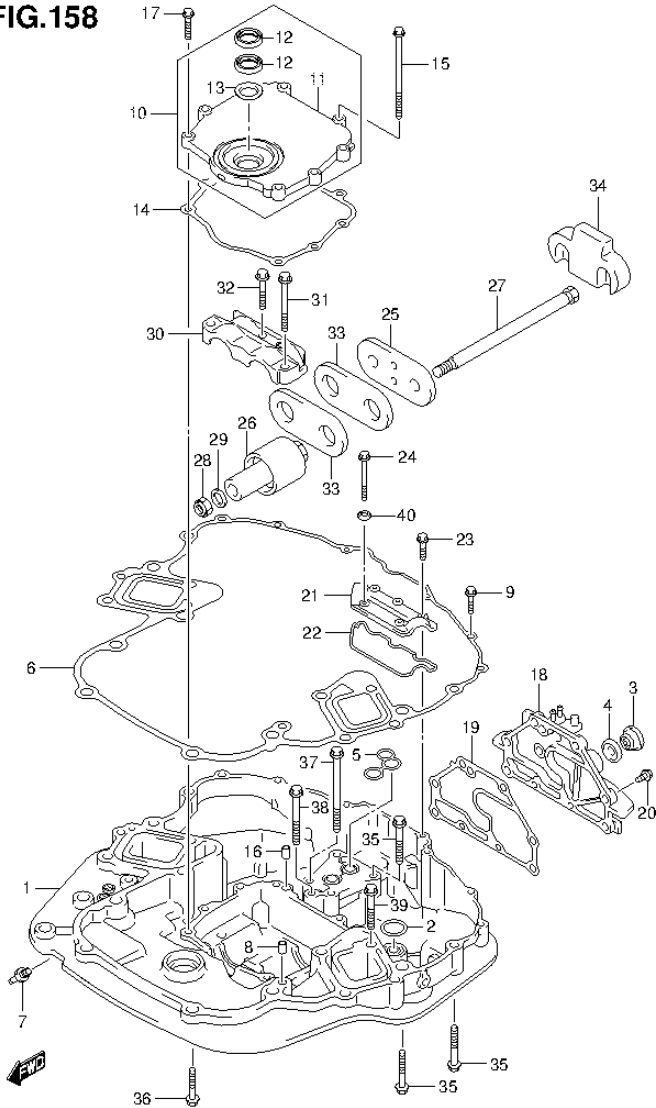


FIG.158 (2-G-2) ENGINE HOLDER (DF225Z E03)

REF NO.	PART NO.	DESCRIPTION	Q'TY	REMARKS
35	09116-10137	BOLT (10X70)	6	
36	09116-10175	BOLT (10X50)	4	
37	09116-10146	BOLT (10X195)	2	
38	09116-10134	BOLT (10X115)	1	
39	09116-08126	BOLT (8X65)	4	
40	09169-08038	WASHER (8.3X15X3)	2	

FIG.159

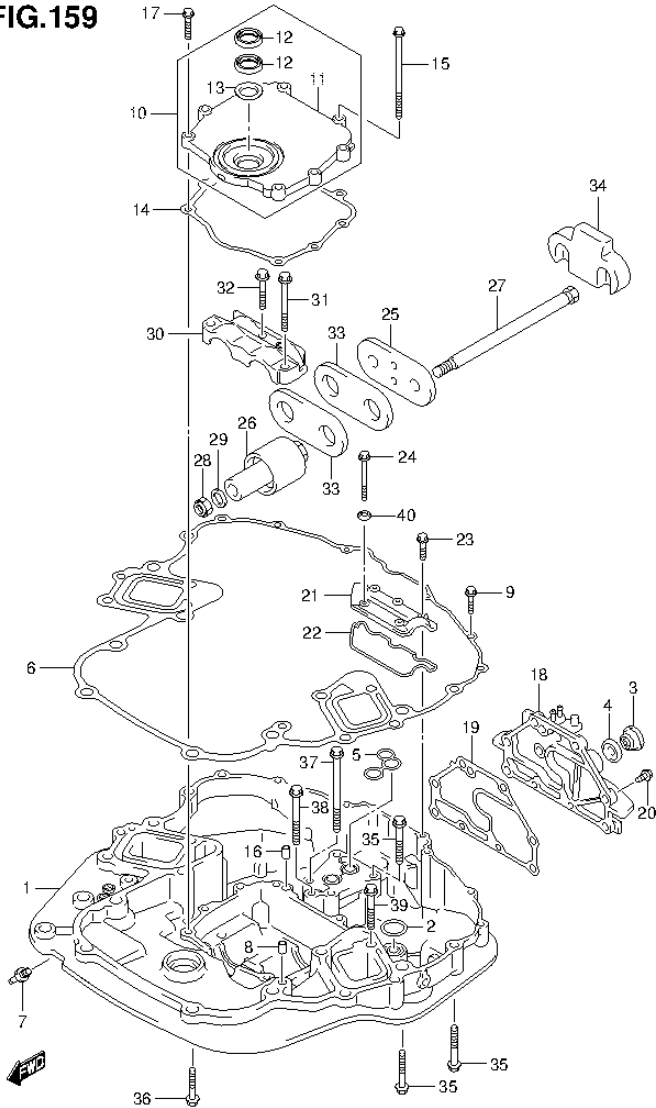


FIG.159 (2-G-3) ENGINE HOLDER (DF250T E03)

REF NO.	PART NO.	DESCRIPTION	Q'TY	REMARKS
1	51111-93J03-0EP	HOLDER, ENGINE (BLACK)	1	
2	16519-93J00	SEAL, ENGINE HOLDER OIL	1	
3	17913-93J00	PLUG, WATER	1	
4	17914-93J00	GASKET, WATER PLUG	1	
5	51116-93J00	SEAL, WATER RETURN	1	
6	51211-93J00	GASKET, ENGINE HOLDER	1	
7	61155-93J20	UNION, WATER INDICATOR	1	
8	09206-08001	PIN (8X11)	2	
9	01550-08307	BOLT	6	
10	51120-93J00	COVER, ASSY MOUNT OIL SEAL	1	
11	51122-93J02	.COVER, MOUNT OIL SEAL	1	
12	51124-93J00	.OIL SEAL	2	
13	51125-93J00	.SCRAPER	1	
14	51123-93J00	GASKET, MOUNT OIL SEAL COVER	1	
15	09103-08109	BOLT (8X120)	2	
16	09206-08001	PIN (8X11)	2	
17	01550-0830A	BOLT	6	
18	51140-98J00-0EP	COVER, ENGINE HOLDER (BLACK)	1	W/TRANSOM(X,XX)
19	51142-93J00	GASKET, ENGINE HOLDER COV	1	
20	09116-08122	BOLT (8X30)	8	
21	51151-93J00	COVER, ENGINE HOLDER UPPER	1	
22	51152-93J00	SEAL, ENGINE HOLDER UPPER COV	1	
23	01550-08307	BOLT	3	
24	01550-08607	BOLT	2	
25	54123-93J02	PLATE, UPPER MOUNT	1	
26	54130-93J01	MOUNT, UPPER	2	
27	09100-14004	BOLT (14X220)	2	
28	09159-14026	NUT	2	
29	09160-15051	WASHER (15X24X3)	2	
30	54137-93J02	COVER, UPPER MOUNT	1	
31	09116-10135	BOLT (10X95)	2	
32	09116-10175	BOLT (10X50)	1	
33	54121-98J00	STOPPER, UPPER THRUST	2	
34	54125-93J00	MOUNT, UPPER THRUST REVERSE	1	

FIG.159

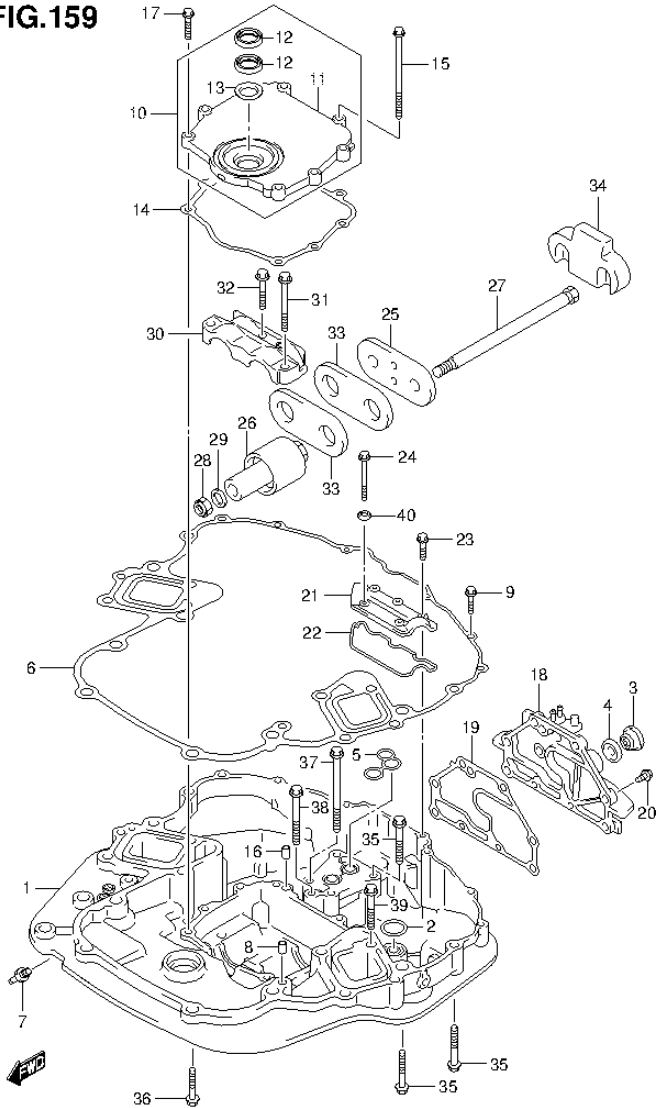


FIG.159 (2-G-4) ENGINE HOLDER (DF250T E03)

REF NO.	PART NO.	DESCRIPTION	Q'TY	REMARKS
35	09116-10137	BOLT (10X70)	6	
36	09116-10175	BOLT (10X50)	4	
37	09116-10146	BOLT (10X195)	2	
38	09116-10134	BOLT (10X115)	1	
39	09116-08126	BOLT (8X65)	4	
40	09169-08038	WASHER (8.3X15X3)	2	

FIG.160

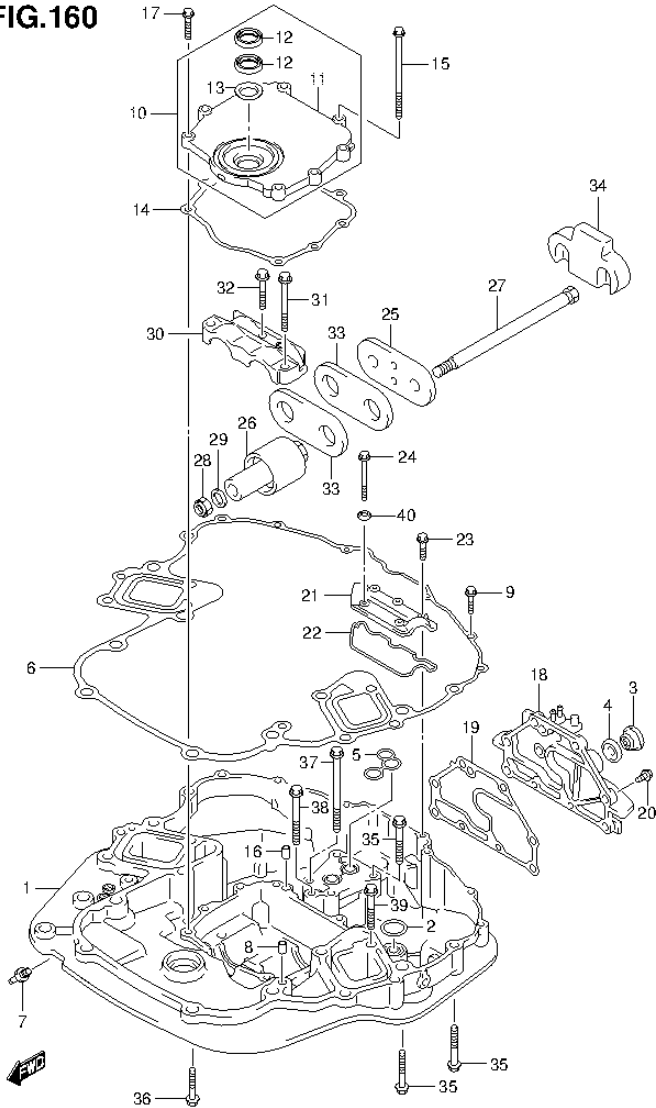


FIG.160 (2-G-5) ENGINE HOLDER (DF250Z E03)

REF NO.	PART NO.	DESCRIPTION	Q'TY	REMARKS
1	51111-93J03-0EP	HOLDER, ENGINE (BLACK)	1	
2	16519-93J00	SEAL, ENGINE HOLDER OIL	1	
3	17913-93J00	PLUG, WATER	1	
4	17914-93J00	GASKET, WATER PLUG	1	
5	51116-93J00	SEAL, WATER RETURN	1	
6	51211-93J00	GASKET, ENGINE HOLDER	1	
7	61155-93J20	UNION, WATER INDICATOR	1	
8	09206-08001	PIN (8X11)	2	
9	01550-08307	BOLT	6	
10	51120-93J00	COVER, ASSY MOUNT OIL SEAL	1	
11	51122-93J02	.COVER, MOUNT OIL SEAL	1	
12	51124-93J00	.OIL SEAL	2	
13	51125-93J00	.SCRAPER	1	
14	51123-93J00	GASKET, MOUNT OIL SEAL COVER	1	
15	09103-08109	BOLT (8X120)	2	
16	09206-08001	PIN (8X11)	2	
17	01550-0830A	BOLT	6	
18	51140-98J00-0EP	COVER, ENGINE HOLDER (BLACK)	1	W/TRANSOM(X,XX)
19	51142-93J00	GASKET, ENGINE HOLDER COV	1	
20	09116-08122	BOLT (8X30)	8	
21	51151-93J00	COVER, ENGINE HOLDER UPPER	1	
22	51152-93J00	SEAL, ENGINE HOLDER UPPER COV	1	
23	01550-08307	BOLT	3	
24	01550-08607	BOLT	2	
25	54123-93J02	PLATE, UPPER MOUNT	1	
26	54130-93J01	MOUNT, UPPER	2	
27	09100-14004	BOLT (14X220)	2	
28	09159-14026	NUT	2	
29	09160-15051	WASHER (15X24X3)	2	
30	54137-93J02	COVER, UPPER MOUNT	1	
31	09116-10135	BOLT (10X95)	2	
32	09116-10175	BOLT (10X50)	1	
33	54121-98J00	STOPPER, UPPER THRUST	2	
34	54125-93J00	MOUNT, UPPER THRUST REVERSE	1	

FIG.160

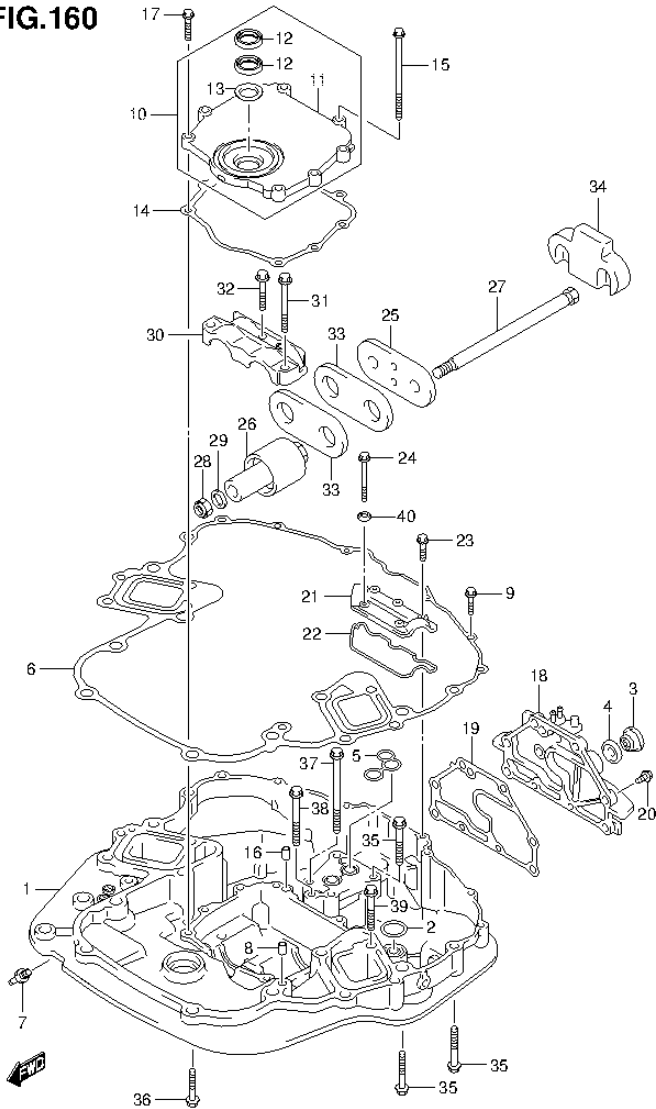


FIG.160 (2-G-6) ENGINE HOLDER (DF250Z E03)

REF NO.	PART NO.	DESCRIPTION	Q'TY	REMARKS
35	09116-10137	BOLT (10X70)	6	
36	09116-10175	BOLT (10X50)	4	
37	09116-10146	BOLT (10X195)	2	
38	09116-10134	BOLT (10X115)	1	
39	09116-08126	BOLT (8X65)	4	
40	09169-08038	WASHER (8.3X15X3)	2	

FIG.161

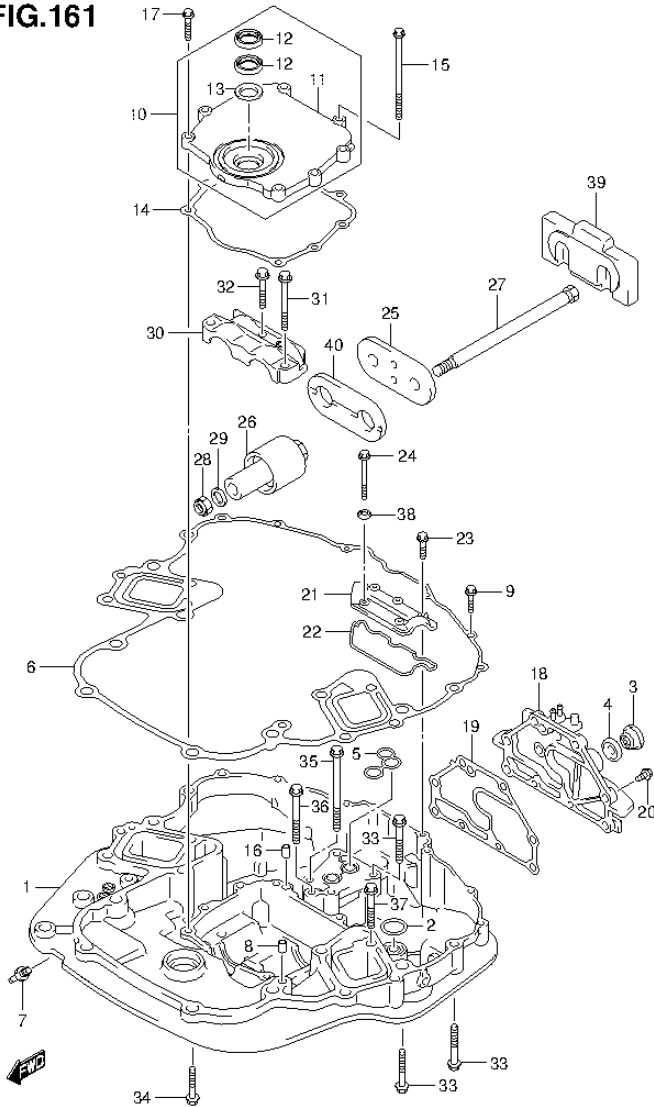


FIG.161 (2-G-7) ENGINE HOLDER (DF250ST E03)

REF NO.	PART NO.	DESCRIPTION	Q'TY	REMARKS
1	51111-93J03-0EP	HOLDER, ENGINE (BLACK)	1	
2	16519-93J00	SEAL, ENGINE HOLDER OIL	1	
3	17913-93J00	PLUG, WATER	1	
4	17914-93J00	GASKET, WATER PLUG	1	
5	51116-93J00	SEAL, WATER RETURN	1	
6	51211-93J00	GASKET, ENGINE HOLDER	1	
7	61155-93J20	UNION, WATER INDICATOR	1	
8	09206-08001	PIN (8X11)	2	
9	01550-08307	BOLT	6	
10	51120-93J00	COVER, ASSY MOUNT OIL SEAL	1	
11	51122-93J02	.COVER, MOUNT OIL SEAL	1	
12	51124-93J00	.OIL SEAL	2	
13	51125-93J00	.SCRAPER	1	
14	51123-93J00	GASKET, MOUNT OIL SEAL COVER	1	
15	09103-08109	BOLT (8X120)	2	
16	09206-08001	PIN (8X11)	2	
17	01550-0830A	BOLT	6	
18	51140-93J10-0EP	COVER, ENGINE HOLDER (L) (BLACK)	1	
19	51142-93J00	GASKET, ENGINE HOLDER COV	1	
20	09116-08122	BOLT (8X30)	8	
21	51151-93J00	COVER, ENGINE HOLDER UPPER	1	
22	51152-93J00	SEAL, ENGINE HOLDER UPPER COV	1	
23	01550-08307	BOLT	3	
24	01550-08607	BOLT	2	
25	54123-93J02	PLATE, UPPER MOUNT	1	
26	54130-93J01	MOUNT, UPPER	2	
27	09100-14004	BOLT (14X220)	2	
28	09159-14026	NUT	2	
29	09160-15051	WASHER (15X24X3)	2	
30	54137-93J02	COVER, UPPER MOUNT	1	
31	09116-10135	BOLT (10X95)	2	
32	09116-10175	BOLT (10X50)	1	
33	09116-10137	BOLT (10X70)	6	

FIG.161

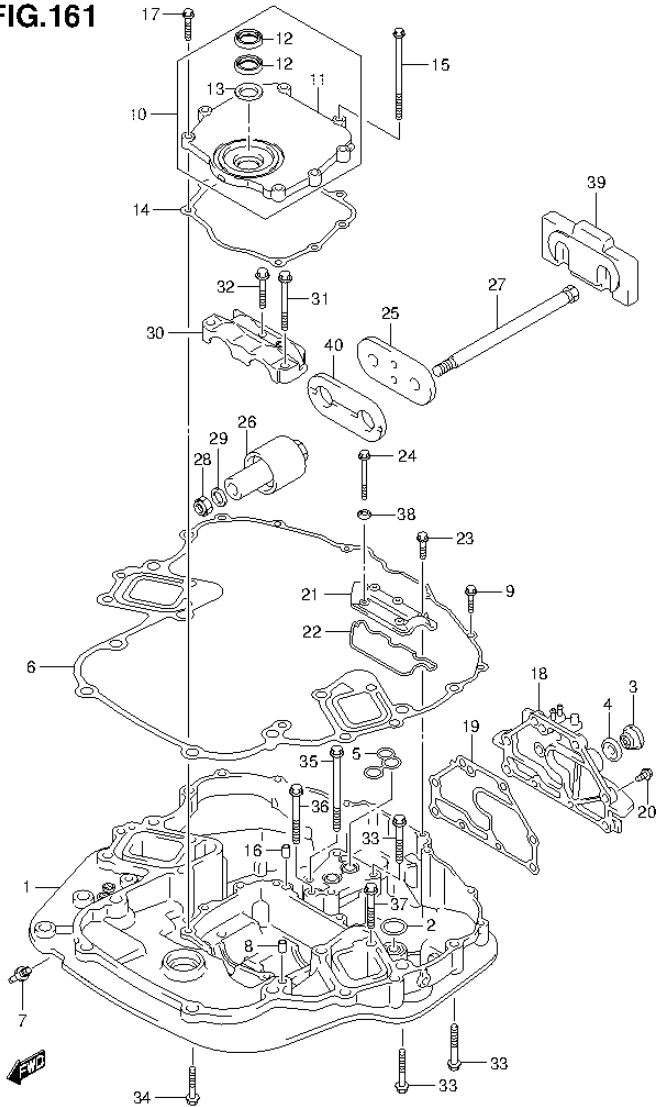


FIG.161 (2-G-8) ENGINE HOLDER (DF250ST E03)

REF NO.	PART NO.	DESCRIPTION	Q'TY	REMARKS
34	09116-10175	BOLT (10X50)	4	
35	09116-10146	BOLT (10X195)	2	
36	09116-10134	BOLT (10X115)	1	
37	09116-08126	BOLT (8X65)	4	
38	09169-08038	WASHER (8.3X15X3)	2	
39	54140-98J00	MOUNT, UPPER THRUST REVERSE	1	
40	54121-93J20	STOPPER, UPPER THRUST	1	

FIG.162

FIG.162 (2-G-9) DRIVE SHAFT HOUSING TRANSOM(X) (DF200T E03)

REF NO.	PART NO.	DESCRIPTION	Q'TY	REMARKS
1	52111-93J11-0EP	HOUSING, DRIVE SHAFT (BLACK)	1	
2	09116-10176	BOLT (10X44)	8	
3	09202-08006	PIN (8X12)	2	
4	57130-87D10	BUSH, DRIVE SHAFT	1	
5	09387-38002	RING	1	
6	09125-06063	SCREW (6X10)	1	
7	36894-87D00	LEAD, MT BRKT TO HSG	1	
8	09125-06063	SCREW (6X10)	1	
9	54151-93J00	MOUNT, LOWER THRUST	1	
10	54160-93J01	MOUNT, LOWER	2	
11	09100-14004	BOLT (14X220)	2	
12	09160-16050	WASHER (16X32X3)	2	
13	09159-14026	NUT	2	
14	09160-16050	WASHER (16X32X3)	2	
15	54211-93J00-0EP	BRACKET, LOWER MOUNT (BLACK)	1	
16	54221-93J00-0EP	COVER, LOWER MOUNT (BLACK)	2	
17	09116-10175	BOLT (10X50)	4	
18	54165-98J00	DAMPER, REVERSE STOPPER LOWER	4	
19	09160-14066	WASHER (14X50X4)	2	
20	29404-93J10	CLAMP, SPEEDOMETER HOSE	1	
21	29103-93J00	BOLT, CLAMP (6X12)	1	
22	55321-93J00	ANODE, PROTECTION	1	
23	09116-06094	BOLT (6X15)	1	

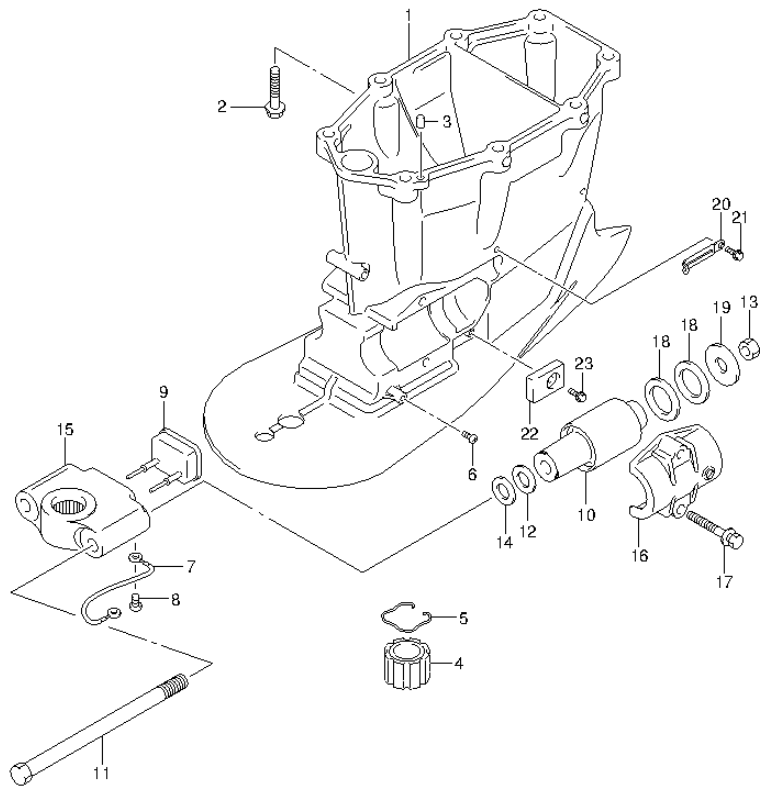


FIG.163

FIG.163 (2-G-10) DRIVE SHAFT HOUSING TRANSOM(X) (DF200Z E03)

REF NO.	PART NO.	DESCRIPTION	Q'TY	REMARKS
1	52111-93J11-0EP	HOUSING, DRIVE SHAFT (BLACK)	1	
2	09116-10176	BOLT (10X44)	8	
3	09202-08006	PIN (8X12)	2	
4	57130-87D10	BUSH, DRIVE SHAFT	1	
5	09387-38002	RING	1	
6	09125-06063	SCREW (6X10)	1	
7	36894-87D00	LEAD, MT BRKT TO HSG	1	
8	09125-06063	SCREW (6X10)	1	
9	54151-93J00	MOUNT, LOWER THRUST	1	
10	54160-93J01	MOUNT, LOWER	2	
11	09100-14004	BOLT (14X220)	2	
12	09160-16050	WASHER (16X32X3)	2	
13	09159-14026	NUT	2	
14	09160-16050	WASHER (16X32X3)	2	
15	54211-93J00-0EP	BRACKET, LOWER MOUNT (BLACK)	1	
16	54221-93J00-0EP	COVER, LOWER MOUNT (BLACK)	2	
17	09116-10175	BOLT (10X50)	4	
18	54165-98J00	DAMPER, REVERSE STOPPER LOWER	4	
19	09160-14066	WASHER (14X50X4)	2	
20	29404-93J10	CLAMP, SPEEDOMETER HOSE	1	
21	29103-93J00	BOLT, CLAMP (6X12)	1	
22	55321-93J00	ANODE, PROTECTION	1	
23	09116-06094	BOLT (6X15)	1	

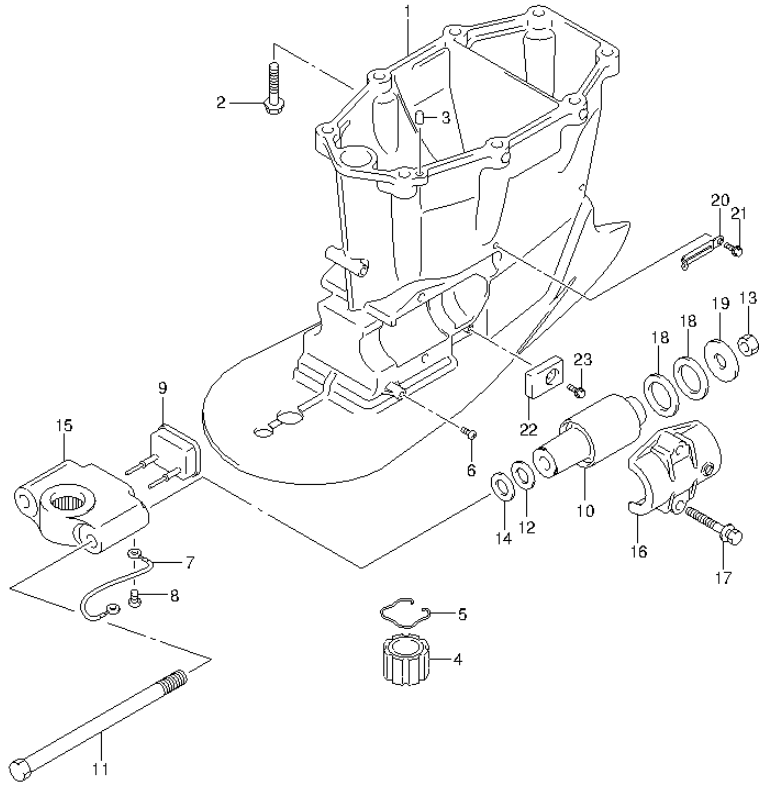


FIG.164

FIG.164 (2-G-11) DRIVE SHAFT HOUSING TRANSOM(X,XX) (DF225T E03)

REF NO.	PART NO.	DESCRIPTION	Q'TY	REMARKS
1	52111-93J11-0EP	HOUSING, DRIVE SHAFT (BLACK)	1	
2	09116-10176	BOLT (10X44)	8	
3	09202-08006	PIN (8X12)	2	
4	57130-87D10	BUSH, DRIVE SHAFT	1	
5	09387-38002	RING	1	
6	09125-06063	SCREW (6X10)	1	
7	52131-93J00-0EP	CASE, EXTENSION (BLACK)	1	W/TRANSOM(XX)
8	09108-10115	STUD BOLT	6	W/TRANSOM(XX)
9	09108-12013	STUD BOLT	1	W/TRANSOM(XX)
10	09202-08006	PIN (8X12)	2	W/TRANSOM(XX)
11	36894-87D00	LEAD, MT BRKT TO HSG	1	
12	09125-06063	SCREW (6X10)	1	
13	54151-93J00	MOUNT, LOWER THRUST	1	
14	54160-93J01	MOUNT, LOWER	2	
15	09100-14004	BOLT (14X220)	2	
16	09160-16050	WASHER (16X32X3)	2	
17	09159-14026	NUT	2	
18	09160-16050	WASHER (16X32X3)	2	
19	54211-93J00-0EP	BRACKET, LOWER MOUNT (BLACK)	1	
20	54221-93J00-0EP	COVER, LOWER MOUNT (BLACK)	2	
21	09116-10175	BOLT (10X50)	4	
22	54165-98J00	DAMPER, REVERSE STOPPER LOWER	4	
23	09160-14066	WASHER (14X50X4)	2	
24	29404-93J10	CLAMP, SPEEDOMETER HOSE	1	
25	29103-93J00	BOLT, CLAMP (6X12)	1	
26-1	55321-93J00	ANODE, PROTECTION	1	W/TRANSOM(X)
26-2	55321-93J00	ANODE, PROTECTION	2	W/TRANSOM(XX)
27-1	09116-06094	BOLT (6X15)	1	W/TRANSOM(X)
27-2	09116-06094	BOLT (6X15)	2	W/TRANSOM(XX)

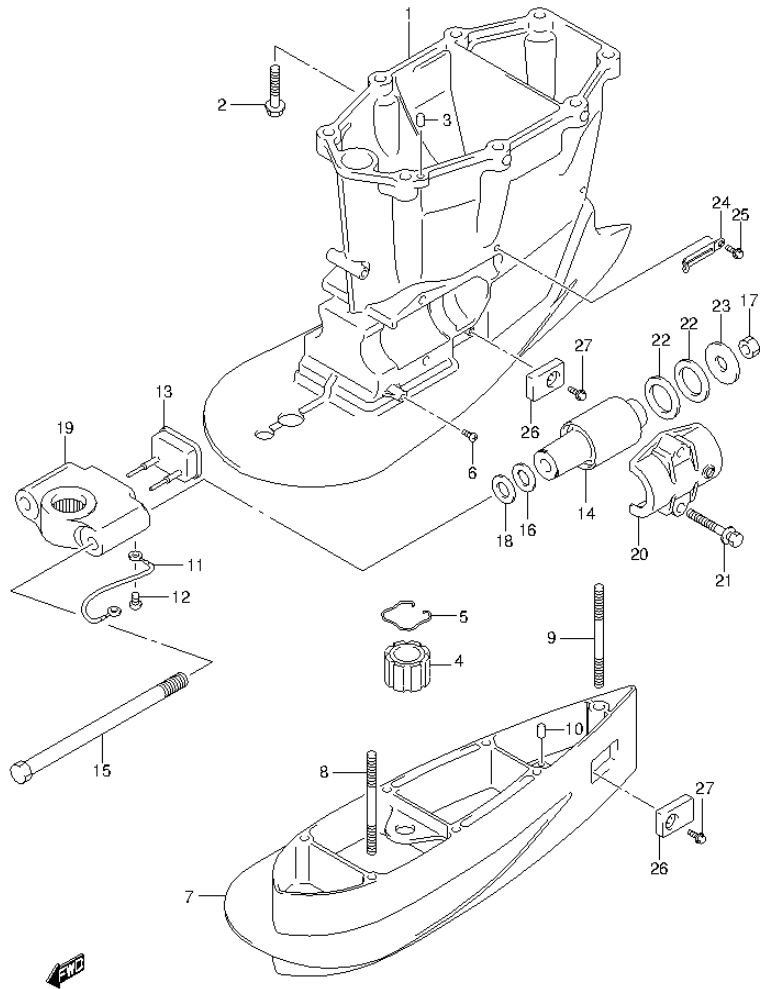


FIG.165

FIG.165 (2-G-12) DRIVE SHAFT HOUSING TRANSOM(X,XX) (DF225Z E03)

REF NO.	PART NO.	DESCRIPTION	Q'TY	REMARKS
1	52111-93J11-0EP	HOUSING, DRIVE SHAFT (BLACK)	1	
2	09116-10176	BOLT (10X44)	8	
3	09202-08006	PIN (8X12)	2	
4	57130-87D10	BUSH, DRIVE SHAFT	1	
5	09387-38002	RING	1	
6	09125-06063	SCREW (6X10)	1	
7	52131-93J00-0EP	CASE, EXTENSION (BLACK)	1	W/TRANSOM(XX)
8	09108-10115	STUD BOLT	6	W/TRANSOM(XX)
9	09108-12013	STUD BOLT	1	W/TRANSOM(XX)
10	09202-08006	PIN (8X12)	2	W/TRANSOM(XX)
11	36894-87D00	LEAD, MT BRKT TO HSG	1	
12	09125-06063	SCREW (6X10)	1	
13	54151-93J00	MOUNT, LOWER THRUST	1	
14	54160-93J01	MOUNT, LOWER	2	
15	09100-14004	BOLT (14X220)	2	
16	09160-16050	WASHER (16X32X3)	2	
17	09159-14026	NUT	2	
18	09160-16050	WASHER (16X32X3)	2	
19	54211-93J00-0EP	BRACKET, LOWER MOUNT (BLACK)	1	
20	54221-93J00-0EP	COVER, LOWER MOUNT (BLACK)	2	
21	09116-10175	BOLT (10X50)	4	
22	54165-98J00	DAMPER, REVERSE STOPPER LOWER	4	
23	09160-14066	WASHER (14X50X4)	2	
24	29404-93J10	CLAMP, SPEEDOMETER HOSE	1	
25	29103-93J00	BOLT, CLAMP (6X12)	1	
26-1	55321-93J00	ANODE, PROTECTION	1	W/TRANSOM(X)
26-2	55321-93J00	ANODE, PROTECTION	2	W/TRANSOM(XX)
27-1	09116-06094	BOLT (6X15)	1	W/TRANSOM(X)
27-2	09116-06094	BOLT (6X15)	2	W/TRANSOM(XX)

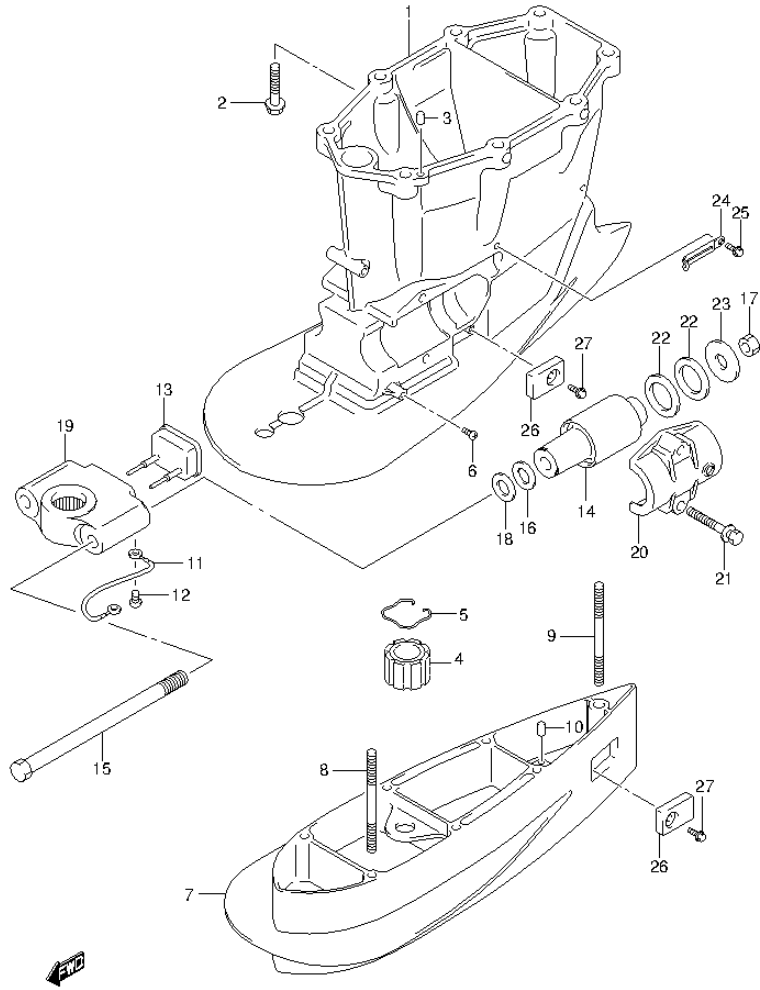


FIG.166

FIG.166 (2-G-13) DRIVE SHAFT HOUSING TRANSOM(X,XX) (DF250T E03)

REF NO.	PART NO.	DESCRIPTION	Q'TY	REMARKS
1	52111-93J11-0EP	HOUSING, DRIVE SHAFT (BLACK)	1	
2	09116-10176	BOLT (10X44)	8	
3	09202-08006	PIN (8X12)	2	
4	57130-87D10	BUSH, DRIVE SHAFT	1	
5	09387-38002	RING	1	
6	09125-06063	SCREW (6X10)	1	
7	52131-93J00-0EP	CASE, EXTENSION (BLACK)	1	W/TRANSOM(XX)
8	09108-10115	STUD BOLT	6	W/TRANSOM(XX)
9	09108-12013	STUD BOLT	1	W/TRANSOM(XX)
10	09202-08006	PIN (8X12)	2	W/TRANSOM(XX)
11	36894-87D00	LEAD, MT BRKT TO HSG	1	
12	09125-06063	SCREW (6X10)	1	
13	54151-93J00	MOUNT, LOWER THRUST	1	
14	54160-93J01	MOUNT, LOWER	2	
15	09100-14004	BOLT (14X220)	2	
16	09160-16050	WASHER (16X32X3)	2	
17	09159-14026	NUT	2	
18	09160-16050	WASHER (16X32X3)	2	
19	54211-93J00-0EP	BRACKET, LOWER MOUNT (BLACK)	1	
20	54221-93J00-0EP	COVER, LOWER MOUNT (BLACK)	2	
21	09116-10175	BOLT (10X50)	4	
22	54165-98J00	DAMPER, REVERSE STOPPER LOWER	4	
23	09160-14066	WASHER (14X50X4)	2	
24	29404-93J10	CLAMP, SPEEDOMETER HOSE	1	
25	29103-93J00	BOLT, CLAMP (6X12)	1	
26-1	55321-93J00	ANODE, PROTECTION	1	W/TRANSOM(X)
26-2	55321-93J00	ANODE, PROTECTION	2	W/TRANSOM(XX)
27-1	09116-06094	BOLT (6X15)	1	W/TRANSOM(X)
27-2	09116-06094	BOLT (6X15)	2	W/TRANSOM(XX)

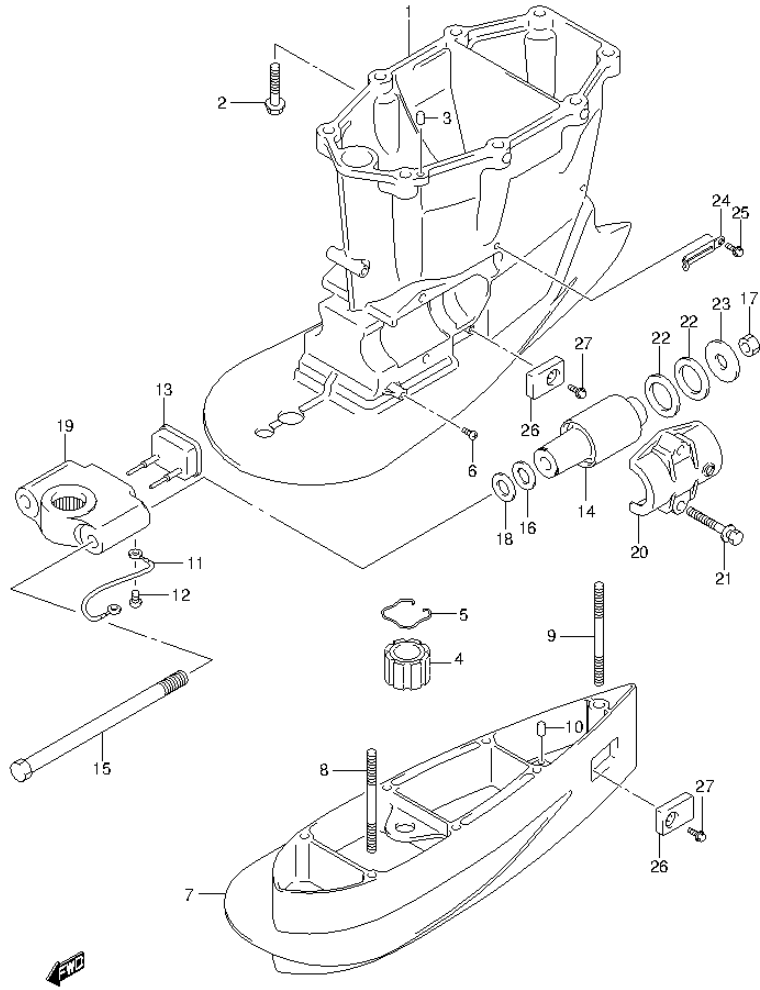


FIG.167

FIG.167 (2-G-14) DRIVE SHAFT HOUSING TRANSOM(X,XX) (DF250Z E03)

REF NO.	PART NO.	DESCRIPTION	Q'TY	REMARKS
1	52111-93J11-0EP	HOUSING, DRIVE SHAFT (BLACK)	1	
2	09116-10176	BOLT (10X44)	8	
3	09202-08006	PIN (8X12)	2	
4	57130-87D10	BUSH, DRIVE SHAFT	1	
5	09387-38002	RING	1	
6	09125-06063	SCREW (6X10)	1	
7	52131-93J00-0EP	CASE, EXTENSION (BLACK)	1	W/TRANSOM(XX)
8	09108-10115	STUD BOLT	6	W/TRANSOM(XX)
9	09108-12013	STUD BOLT	1	W/TRANSOM(XX)
10	09202-08006	PIN (8X12)	2	W/TRANSOM(XX)
11	36894-87D00	LEAD, MT BRKT TO HSG	1	
12	09125-06063	SCREW (6X10)	1	
13	54151-93J00	MOUNT, LOWER THRUST	1	
14	54160-93J01	MOUNT, LOWER	2	
15	09100-14004	BOLT (14X220)	2	
16	09160-16050	WASHER (16X32X3)	2	
17	09159-14026	NUT	2	
18	09160-16050	WASHER (16X32X3)	2	
19	54211-93J00-0EP	BRACKET, LOWER MOUNT (BLACK)	1	
20	54221-93J00-0EP	COVER, LOWER MOUNT (BLACK)	2	
21	09116-10175	BOLT (10X50)	4	
22	54165-98J00	DAMPER, REVERSE STOPPER LOWER	4	
23	09160-14066	WASHER (14X50X4)	2	
24	29404-93J10	CLAMP, SPEEDOMETER HOSE	1	
25	29103-93J00	BOLT, CLAMP (6X12)	1	
26-1	55321-93J00	ANODE, PROTECTION	1	W/TRANSOM(X)
26-2	55321-93J00	ANODE, PROTECTION	2	W/TRANSOM(XX)
27-1	09116-06094	BOLT (6X15)	1	W/TRANSOM(X)
27-2	09116-06094	BOLT (6X15)	2	W/TRANSOM(XX)

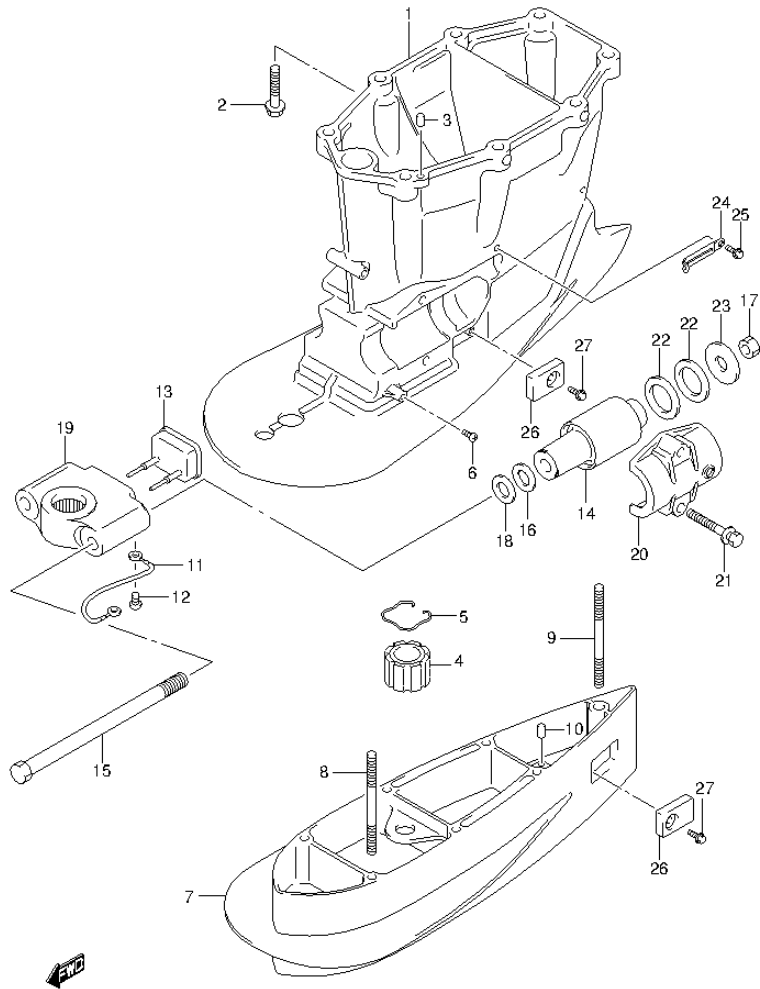


FIG.168

FIG.168 (2-G-15) DRIVE SHAFT HOUSING TRANSOM(L) (DF200T E03)

REF NO.	PART NO.	DESCRIPTION	Q'TY	REMARKS
1	52111-93J20-0EP	HOUSING, DRIVE SHAFT (BLACK)	1	
2	09116-10176	BOLT (10X44)	6	
3	09202-08006	PIN (8X12)	2	
4	29141-93J20	NUT, DRIVE SHAFT HSG STUD	2	
5	09108-10150	STUD BOLT	2	
6	09160-10141	WASHER (10.5X19X2)	2	
7	09125-06063	SCREW (6X10)	1	
8	54151-93J00	MOUNT, LOWER THRUST	1	
9	54160-93J01	MOUNT, LOWER	2	
10	09100-14004	BOLT (14X220)	2	
11	09160-16050	WASHER (16X32X3)	2	
12	09159-14026	NUT	2	
13	09160-16050	WASHER (16X32X3)	2	
14	54211-93J00-0EP	BRACKET, LOWER MOUNT (BLACK)	1	
15	54221-93J00-0EP	COVER, LOWER MOUNT (BLACK)	2	
16	09116-10175	BOLT (10X50)	4	
17	54165-98J00	DAMPER, REVERSE STOPPER LOWER	4	
18	09160-14066	WASHER (14X50X4)	2	
19	36894-87D00	LEAD (MOUNT BRKT TO HSG)	1	
20	09125-06063	SCREW (6X10)	1	

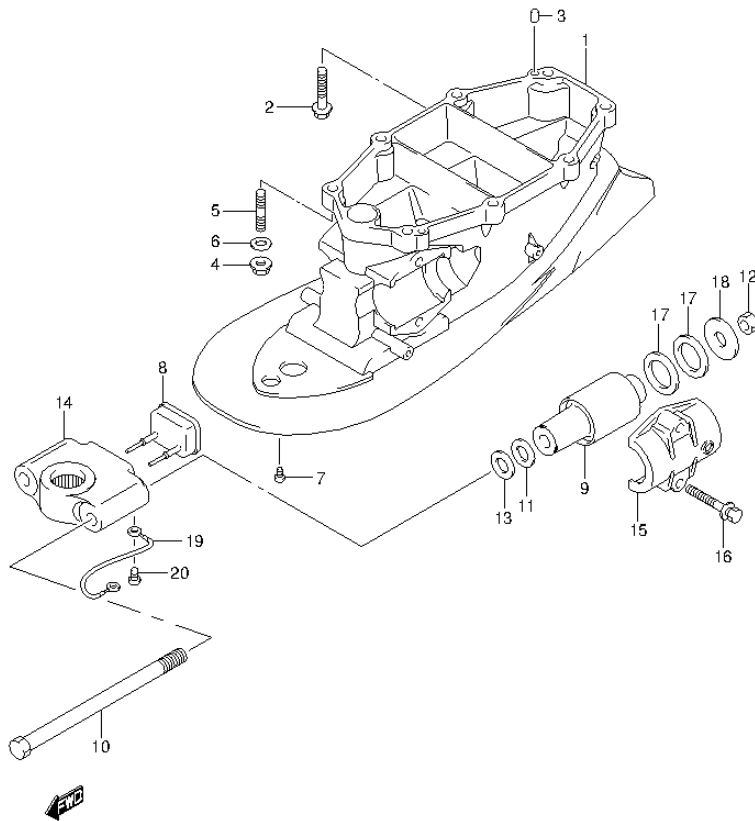


FIG.169

FIG.169 (2-H-2) DRIVE SHAFT HOUSING TRANSOM(L) (DF250ST E03)

REF NO.	PART NO.	DESCRIPTION	Q'TY	REMARKS
1	52111-93J20-0EP	HOUSING, DRIVE SHAFT (BLACK)	1	
2	09116-10176	BOLT (10X44)	6	
3	09202-08006	PIN (8X12)	2	
4	29141-93J20	NUT, DRIVE SHAFT HSG STUD	2	
5	09108-10150	STUD BOLT	2	
6	09160-10141	WASHER (10.5X19X2)	2	
7	09125-06063	SCREW (6X10)	1	
8	54150-98J00	MOUNT, LOWER THRUST	1	
9	54160-98J00	MOUNT, LOWER	2	
10	09100-14004	BOLT (14X220)	2	
11	09160-16050	WASHER (16X32X3)	2	
12	09159-14026	NUT	2	
13	09160-16050	WASHER (16X32X3)	2	
14	54211-93J00-0EP	BRACKET, LOWER MOUNT (BLACK)	1	
15	54221-93J00-0EP	COVER, LOWER MOUNT (BLACK)	2	
16	09116-10175	BOLT (10X50)	4	
17	54165-98J00	DAMPER, REVERSE STOPPER LOWER	4	
18	09160-14066	WASHER (14X50X4)	2	
19	36894-87D00	LEAD (MOUNT BRKT TO HSG)	1	
20	09125-06063	SCREW (6X10)	1	

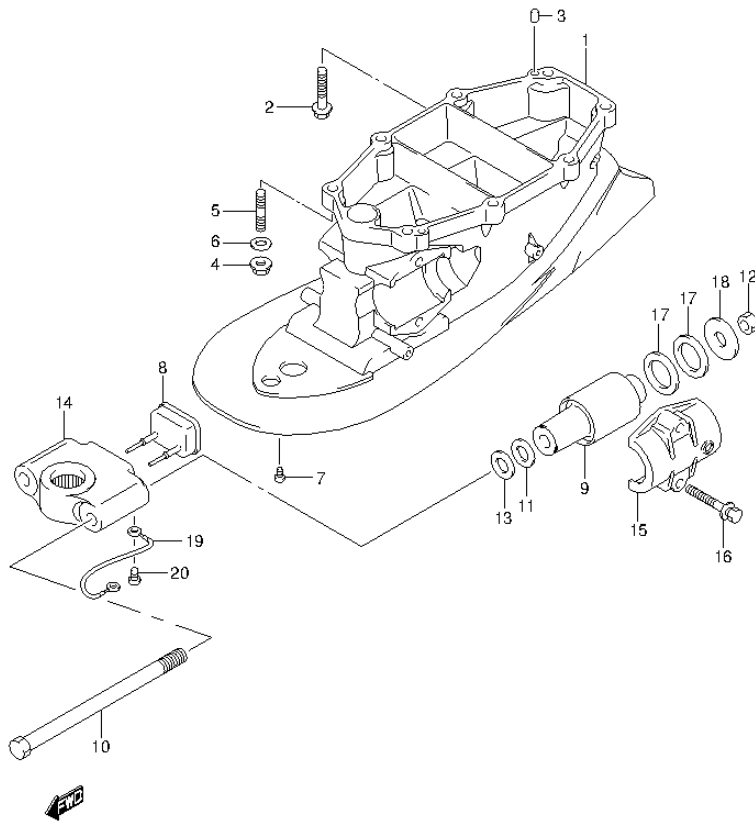


FIG.170

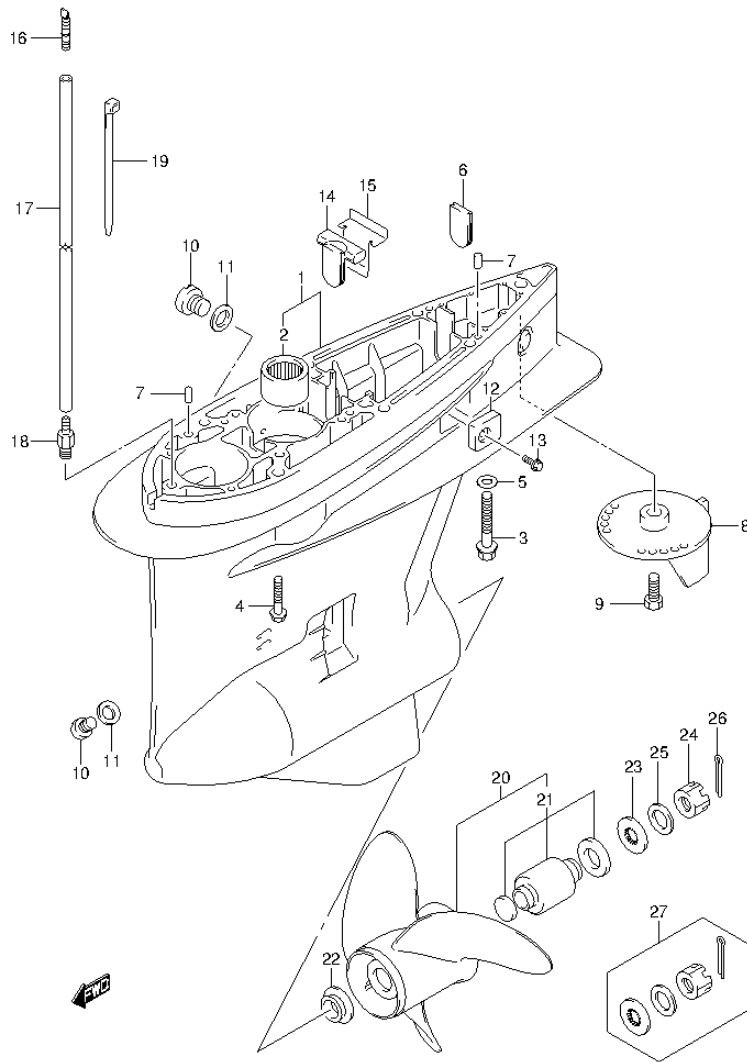


FIG.170 (2-H-3) GEAR CASE (DF200T E03)

REF NO.	PART NO.	DESCRIPTION	Q'TY	REMARKS
1	55110-93J20-0EP	CASE, GEAR (BLACK)	1	
2	09263-32017	.BEARING (32X48X30)	1	
3	09100-12052	BOLT (12X70)	1	W/TRANSOM(L,X)
4	09116-10150	BOLT (10X55)	6	W/TRANSOM(L,X)
5	09160-12066	WASHER (12.5X22X2.5)	1	
6	17566-87D11	GROMMET, GEAR CASE	1	
7	09202-08006	PIN (8X12)	2	
8	55125-98J00-0EP	TAB, TRIM (BLACK)	1	
9	09116-08137	BOLT (8X22)	1	
10	55128-93J10	PLUG, DRAIN	3	
11	09168-10034	GASKET (9.5X16.5X2)	3	
12	55321-93J00	ANODE, PROTECTION	2	
13	09116-06094	BOLT (6X15)	2	
14	55332-87D11	RUBBER, EXHAUST SEAL	1	
15	55333-87D10	PLATE, EXHAUST SEAL	1	
16	55127-87D00	UNION, SPEEDOMETER HOSE	1	
17	09355-40805-00B	HOSE (4X8X2000)	1	L:2000->1700
18	09362-09008	UNION	1	
19	09407-10404	CLAMP (L:100)	2	
20-1	58200-93L00	PROPELLER (3X16X17)	1	OPT
20-2	58200-93L10	PROPELLER (3X16X18.5)	1	OPT
20-3	58200-93L20	PROPELLER (3X16X20)	1	OPT
20-4	58200-93L30	PROPELLER (3X16X21.5)	1	OPT
20-5	58200-93L40	PROPELLER (3X16X23)	1	OPT
20-6	58200-93L50	PROPELLER (3X16X24.5)	1	OPT
20-7	58200-93L60	PROPELLER (3X16X26)	1	OPT
20-8	58200-93L70	PROPELLER (3X16X27.5)	1	OPT
20-9	58200-96J00	PROPELLER (3X15.5X17)	1	OPT
20-10	58200-96J10	PROPELLER (3X15.25X19)	1	OPT
20-11	58200-96J20	PROPELLER (3X14.75X21)	1	OPT
20-12	58200-96J30	PROPELLER (3X14.75X23)	1	OPT
20-13	58200-96J40	PROPELLER (3X14.5X25)	1	OPT
20-14	58200-96J50	PROPELLER (3X14.5X27)	1	OPT
21	58105-93J10	.BUSH SET, PROPELLER	1	OPT

FIG.170

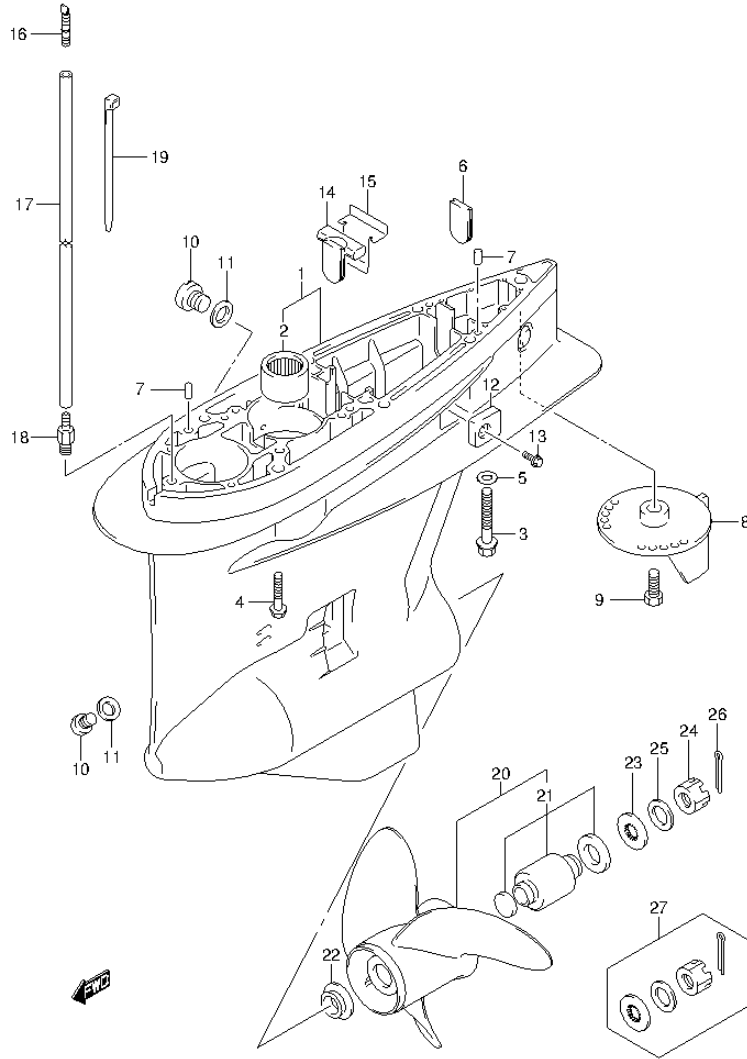


FIG.170 (2-H-4) GEAR CASE (DF200T E03)

REF NO.	PART NO.	DESCRIPTION	Q'TY	REMARKS
22	57632-93L00	STOPPER, PROPELLER BUSH	1	
23	57633-87D30	SPACER, PROPELLER NUT	1	
24	09141-18005	NUT	1	
25	09160-18028	WASHER (18.5X31X1)	1	
26	09204-03003	COTTER PIN	1	
27	57630-92E00	KIT, PROPELLER NUT	1	OPT
28	25700-93J00	KIT, GEAR CASE SEALING	1	OPT NOT ILLUSTRATED

FIG.171

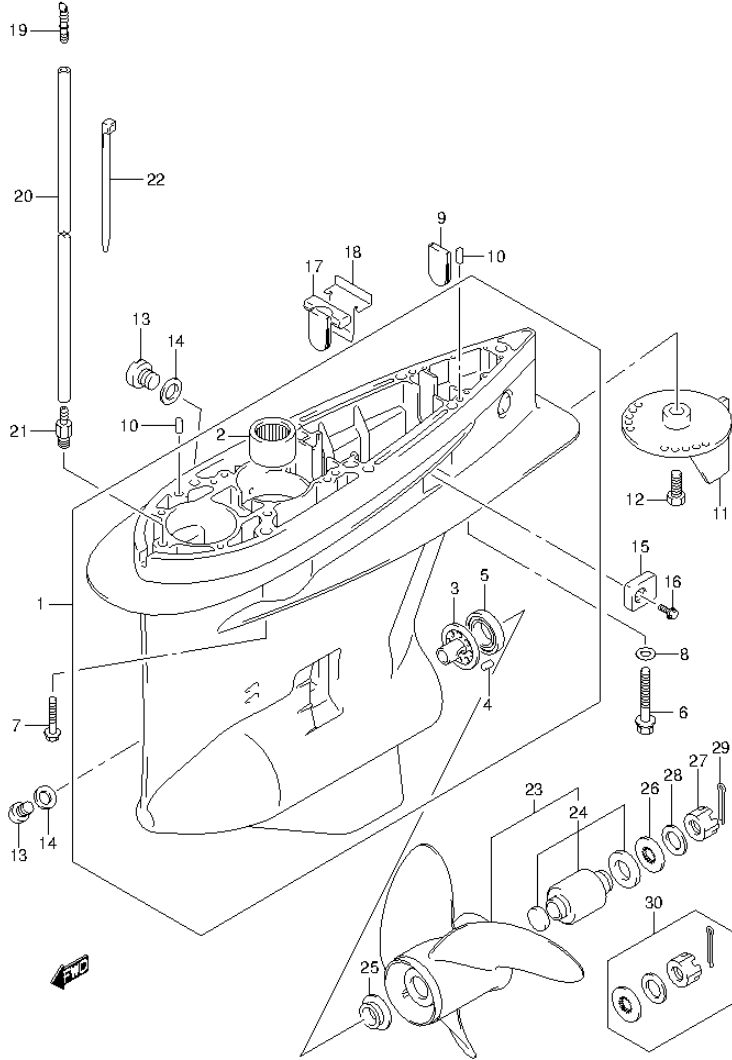


FIG.171 (2-H-5) GEAR CASE (DF200Z E03)

REF NO.	PART NO.	DESCRIPTION	Q'TY	REMARKS
1	55110-93J30-0EP	CASE, GEAR (BLACK)	1	
2	09263-32017	.BEARING (32X48X30)	1	
3	56145-93J00	.HOUSING, SHIFT CAM	1	
4	04221-08129	.PIN	1	
5	09265-50002	.BEARING (50X90X21.75)	1	
6	09100-12052	BOLT (12X70)	1	
7	09116-10150	BOLT (10X55)	6	
8	09160-12066	WASHER (12.5X22X2.5)	1	
9	17566-87D11	GROMMET, GEAR CASE	1	
10	09202-08006	PIN (8X12)	2	
11	55125-98J00-0EP	TAB, TRIM (BLACK)	1	
12	09116-08137	BOLT (8X22)	1	
13	55128-93J10	PLUG, DRAIN	3	
14	09168-10034	GASKET (9.5X16.5X2)	3	
15	55321-93J00	ANODE, PROTECTION	2	
16	09116-06094	BOLT (6X15)	2	
17	55332-87D11	RUBBER, EXHAUST SEAL	1	
18	55333-87D10	PLATE, EXHAUST SEAL	1	
19	55127-87D00	UNION, SPEEDOMETER HOSE	1	
20	09355-40805-00B	HOSE (4X8X2000)	1	L:2000->1700
21	09362-09008	UNION	1	
22	09407-10404	CLAMP (L:100)	2	
23-1	58200-93LA0	PROPELLER (3X16X18.5)	1	OPT
23-2	58200-93LB0	PROPELLER (3X16X20)	1	OPT
23-3	58200-93LC0	PROPELLER (3X16X21.5)	1	OPT
23-4	58200-93LD0	PROPELLER (3X16X23)	1	OPT
23-5	58200-93LE0	PROPELLER (3X16X17)	1	OPT
23-6	58200-93LF0	PROPELLER (3X16X24.5)	1	OPT
23-7	58200-93LG0	PROPELLER (3X16X26)	1	OPT
23-8	58200-96JA0	PROPELLER (3X15.5X17)	1	OPT
23-9	58200-96JB0	PROPELLER (3X15.25X19)	1	OPT
23-10	58200-96JC0	PROPELLER (3X14.75X21)	1	OPT
23-11	58200-96JD0	PROPELLER (3X14.75X23)	1	OPT
23-12	58200-96JE0	PROPELLER (3X14.5X25)	1	OPT

FIG.171

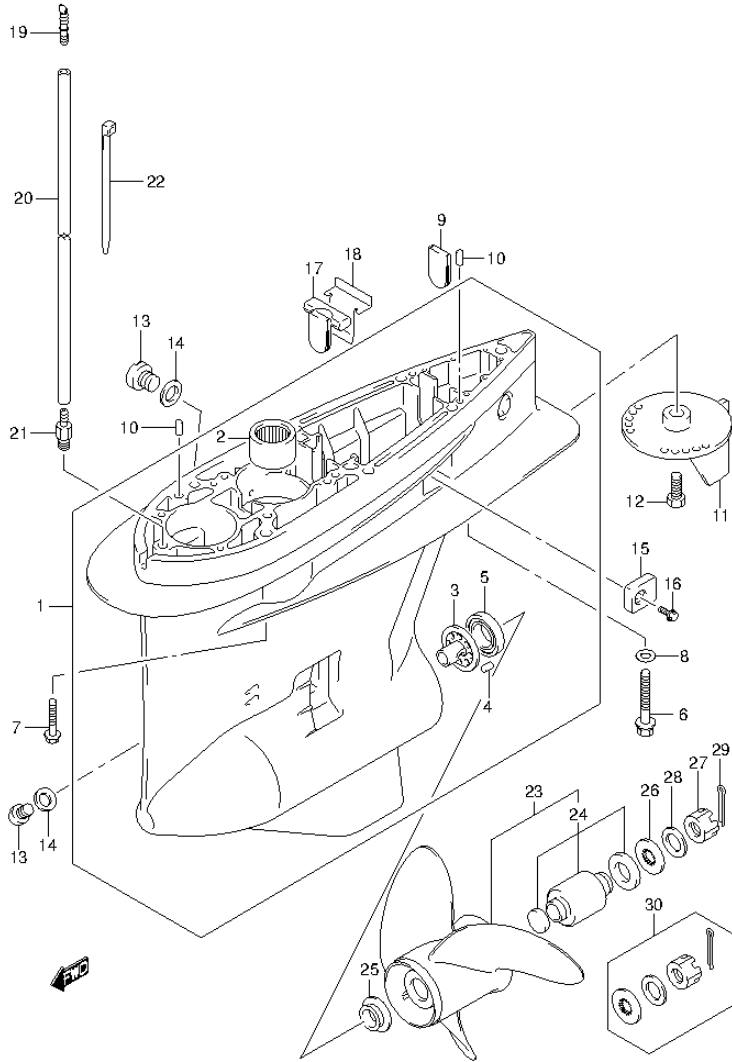


FIG.171 (2-H-6) GEAR CASE (DF200Z E03)

REF NO.	PART NO.	DESCRIPTION	Q'TY	REMARKS
23-13	58200-96JF0	PROPELLER (3X14.5X27)	1	OPT
24	58105-93J10	.BUSH SET, PROPELLER	1	OPT
25	57632-93L00	STOPPER, PROPELLER BUSH	1	
26	57633-87D30	SPACER, PROPELLER NUT	1	
27	09141-18005	NUT	1	
28	09160-18028	WASHER (18.5X31X1)	1	
29	09204-03003	COTTER PIN	1	
30	57630-92E00	KIT, PROPELLER NUT	1	OPT
31	25700-93J00	KIT, GEAR CASE SEALING	1	OPT NOT ILLUSTRATED

FIG.172

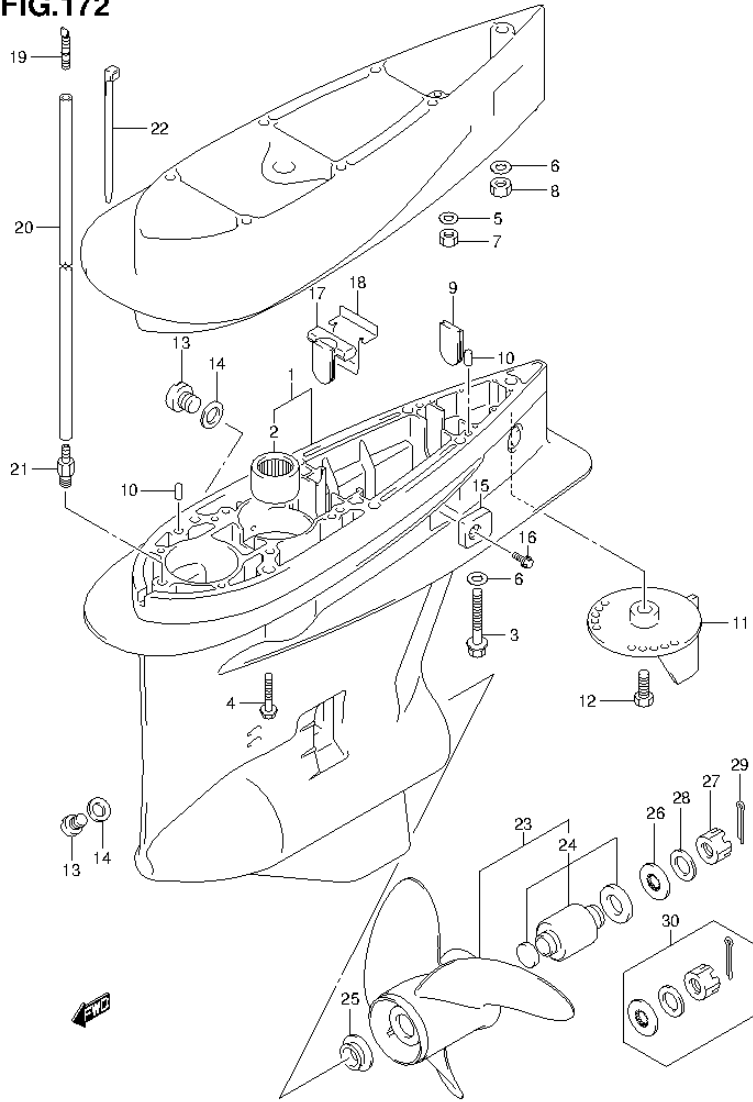


FIG.172 (2-H-7) GEAR CASE (DF225T E03)

REF NO.	PART NO.	DESCRIPTION	Q'TY	REMARKS
1	55110-93J20-0EP	CASE, GEAR (BLACK)	1	
2	09263-32017	.BEARING (32X48X30)	1	
3	09100-12052	BOLT (12X70)	1	W/TRANSOM(X)
4	09116-10150	BOLT (10X55)	6	W/TRANSOM(X)
5	09160-10141	WASHER (10.5X19X2)	6	W/TRANSOM(XX)
6	09160-12066	WASHER (12.5X22X2.5)	1	
7	29141-93J20	NUT, EXTENSION BOLT NO.1	6	W/TRANSOM(XX)
8	09159-12014	NUT	1	W/TRANSOM(XX)
9	17566-87D11	GROMMET, GEAR CASE	1	
10	09202-08006	PIN (8X12)	2	
11	55125-98J00-0EP	TAB, TRIM (BLACK)	1	
12	09116-08137	BOLT (8X22)	1	
13	55128-93J10	PLUG, DRAIN	3	
14	09168-10034	GASKET (9.5X16.5X2)	3	
15	55321-93J00	ANODE, PROTECTION	2	
16	09116-06094	BOLT (6X15)	2	
17	55332-87D11	RUBBER, EXHAUST SEAL	1	
18	55333-87D10	PLATE, EXHAUST SEAL	1	
19	55127-87D00	UNION, SPEEDOMETER HOSE	1	
20	09355-40805-00B	HOSE (4X8X2000)	1	L:2000->1700
21	09362-09008	UNION	1	
22	09407-10404	CLAMP (L:100)	2	
23-1	58200-93L00	PROPELLER (3X16X17)	1	OPT
23-2	58200-93L10	PROPELLER (3X16X18.5)	1	OPT
23-3	58200-93L20	PROPELLER (3X16X20)	1	OPT
23-4	58200-93L30	PROPELLER (3X16X21.5)	1	OPT
23-5	58200-93L40	PROPELLER (3X16X23)	1	OPT
23-6	58200-93L50	PROPELLER (3X16X24.5)	1	OPT
23-7	58200-93L60	PROPELLER (3X16X26)	1	OPT
23-8	58200-93L70	PROPELLER (3X16X27.5)	1	OPT
23-9	58200-96J00	PROPELLER (3X15.5X17)	1	OPT
23-10	58200-96J10	PROPELLER (3X15.25X19)	1	OPT
23-11	58200-96J20	PROPELLER (3X14.75X21)	1	OPT
23-12	58200-96J30	PROPELLER (3X14.75X23)	1	OPT

FIG.172

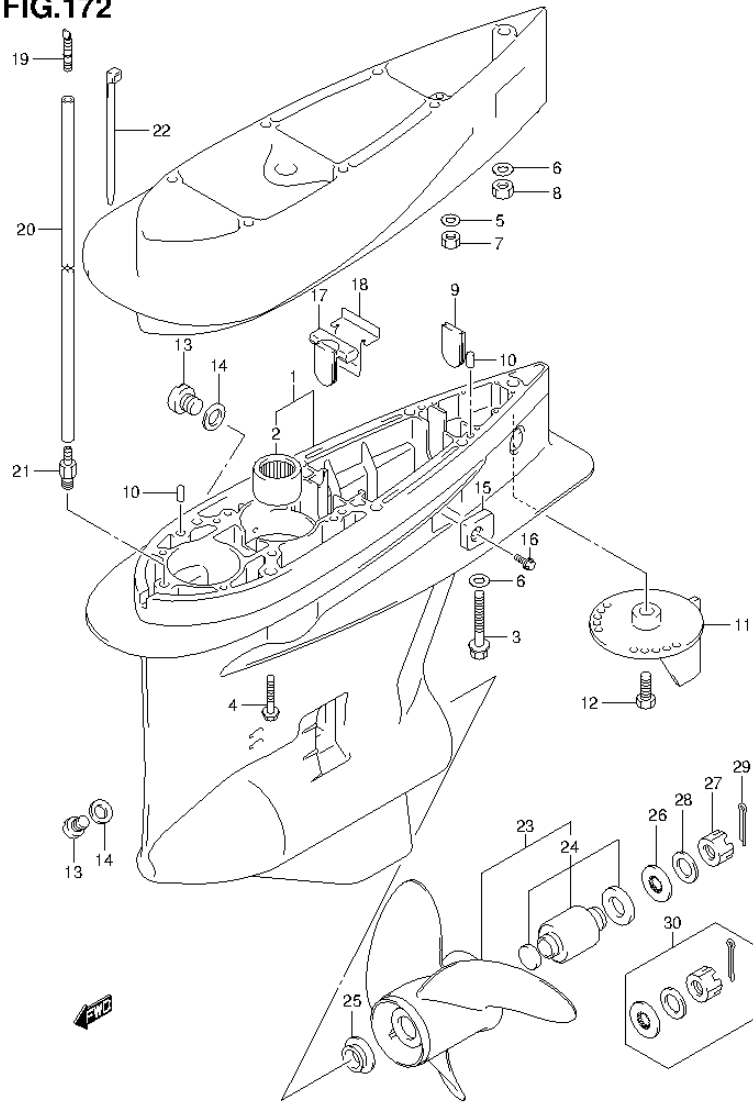


FIG.172 (2-H-8) GEAR CASE (DF225T E03)

REF NO.	PART NO.	DESCRIPTION	Q'TY	REMARKS
23-13	58200-96J40	PROPELLER (3X14.5X25)	1	OPT
23-14	58200-96J50	PROPELLER (3X14.5X27)	1	OPT
24	58105-93J10	.BUSH SET, PROPELLER	1	OPT
25	57632-93L00	STOPPER, PROPELLER BUSH	1	
26	57633-87D30	SPACER, PROPELLER NUT	1	
27	09141-18005	NUT	1	
28	09160-18028	WASHER (18.5X31X1)	1	
29	09204-03003	COTTER PIN	1	
30	57630-92E00	KIT, PROPELLER NUT	1	OPT
31	25700-93J00	KIT, GEAR CASE SEALING	1	OPT NOT ILLUSTRATED

FIG.173

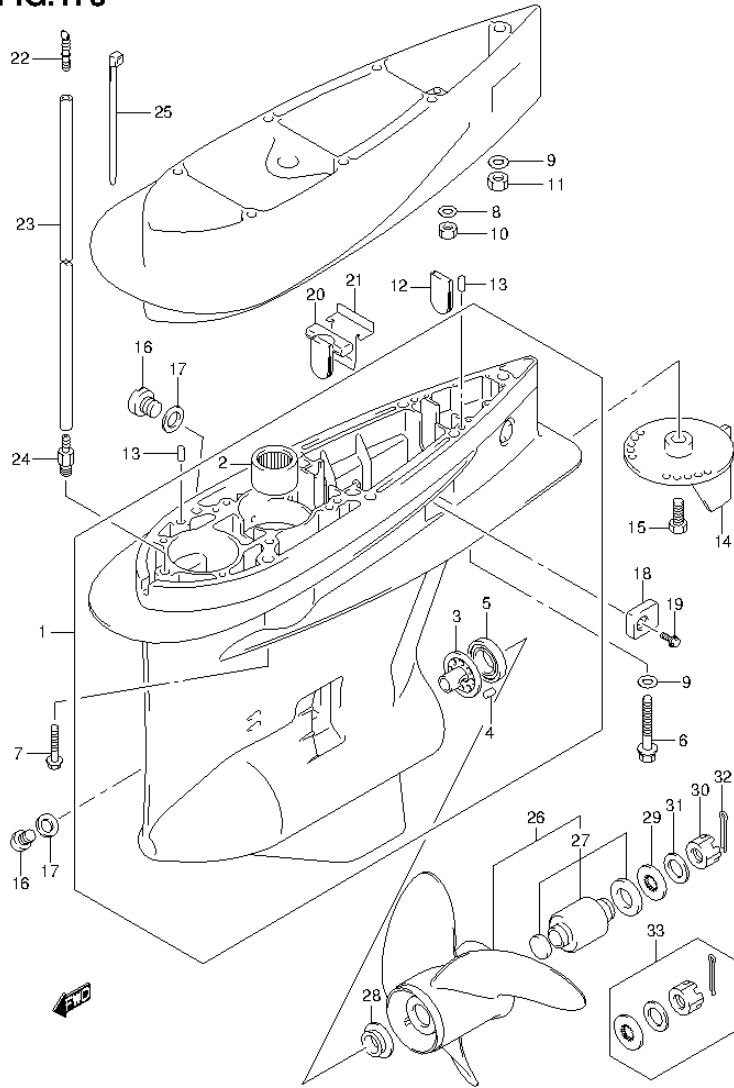


FIG.173 (2-H-9) GEAR CASE (DF225Z E03)

REF NO.	PART NO.	DESCRIPTION	Q'TY	REMARKS
1	55110-93J30-0EP	CASE, GEAR (BLACK)	1	
2	09263-32017	.BEARING (32X48X30)	1	
3	56145-93J00	.HOUSING, SHIFT CAM	1	
4	04221-08129	.PIN	1	
5	09265-50002	.BEARING (50X90X21.75)	1	
6	09100-12052	BOLT (12X70)	1	W/TRANSOM(X)
7	09116-10150	BOLT (10X55)	6	W/TRANSOM(X)
8	09160-10141	WASHER (10.5X19X2)	6	W/TRANSOM(XX)
9	09160-12066	WASHER (12.5X22X2.5)	1	
10	29141-93J20	NUT, EXTENSION BOLT NO.1	6	W/TRANSOM(XX)
11	09159-12014	NUT	1	W/TRANSOM(XX)
12	17566-87D11	GROMMET, GEAR CASE	1	
13	09202-08006	PIN (8X12)	2	
14	55125-98J00-0EP	TAB, TRIM (BLACK)	1	
15	09116-08137	BOLT (8X22)	1	
16	55128-93J10	PLUG, DRAIN	3	
17	09168-10034	GASKET (9.5X16.5X2)	3	
18	55321-93J00	ANODE, PROTECTION	2	
19	09116-06094	BOLT (6X15)	2	
20	55332-87D11	RUBBER, EXHAUST SEAL	1	
21	55333-87D10	PLATE, EXHAUST SEAL	1	
22	55127-87D00	UNION, SPEEDOMETER HOSE	1	
23	09355-40805-00B	HOSE (4X8X2000)	1	L:2000->1700
24	09362-09008	UNION	1	
25	09407-10404	CLAMP (L:100)	2	
26-1	58200-93LA0	PROPELLER (3X16X18.5)	1	OPT
26-2	58200-93LB0	PROPELLER (3X16X20)	1	OPT
26-3	58200-93LC0	PROPELLER (3X16X21.5)	1	OPT
26-4	58200-93LD0	PROPELLER (3X16X23)	1	OPT
26-5	58200-93LE0	PROPELLER (3X16X17)	1	OPT
26-6	58200-93LF0	PROPELLER (3X16X24.5)	1	OPT
26-7	58200-93LG0	PROPELLER (3X16X26)	1	OPT
26-8	58200-96JA0	PROPELLER (3X15.5X17)	1	OPT
26-9	58200-96JB0	PROPELLER (3X15.25X19)	1	OPT

FIG.173

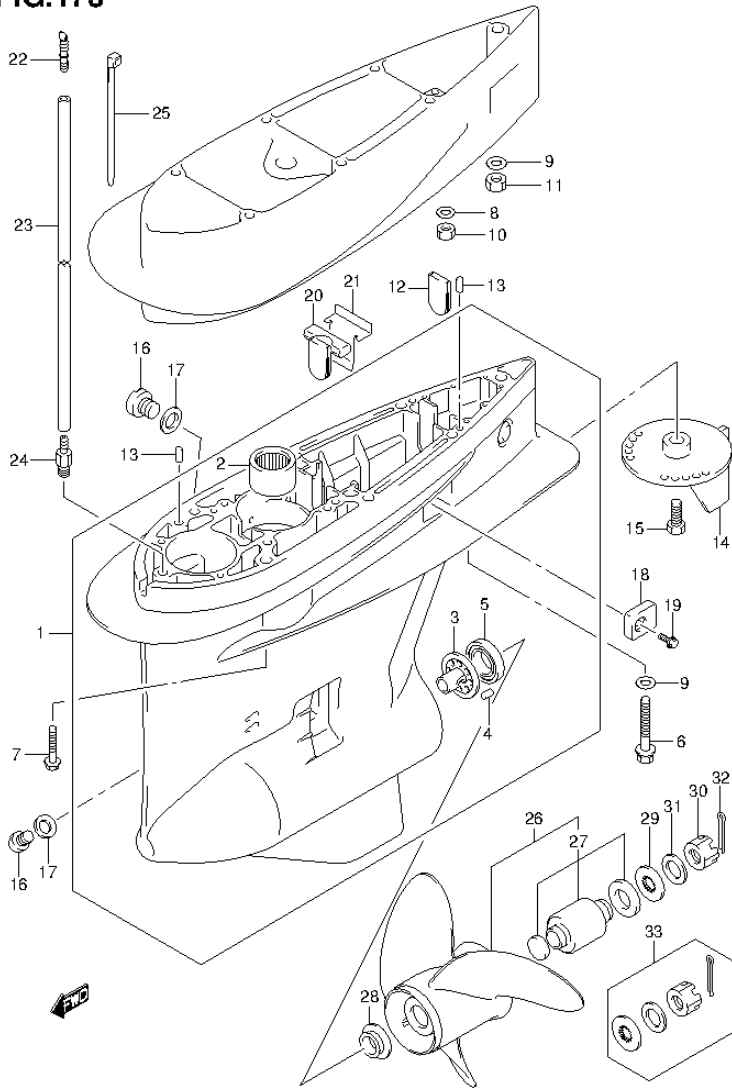


FIG.173 (2-H-10) GEAR CASE (DF225Z E03)

REF NO.	PART NO.	DESCRIPTION	Q'TY	REMARKS
26-10	58200-96JC0	PROPELLER (3X14.75X21)	1	OPT
26-11	58200-96JD0	PROPELLER (3X14.75X23)	1	OPT
26-12	58200-96JE0	PROPELLER (3X14.5X25)	1	OPT
26-13	58200-96JF0	PROPELLER (3X14.5X27)	1	OPT
27	58105-93J10	.BUSH SET, PROPELLER	1	OPT
28	57632-93L00	STOPPER, PROPELLER BUSH	1	
29	57633-87D30	SPACER, PROPELLER NUT	1	
30	09141-18005	NUT	1	
31	09160-18028	WASHER (18.5X31X1)	1	
32	09204-03003	PIN, COTTER	1	
33	57630-92E00	KIT, PROPELLER NUT	1	OPT
34	25700-93J00	KIT, GEAR CASE SEALING	1	OPT
				NOT ILLUSTRATED

FIG.174

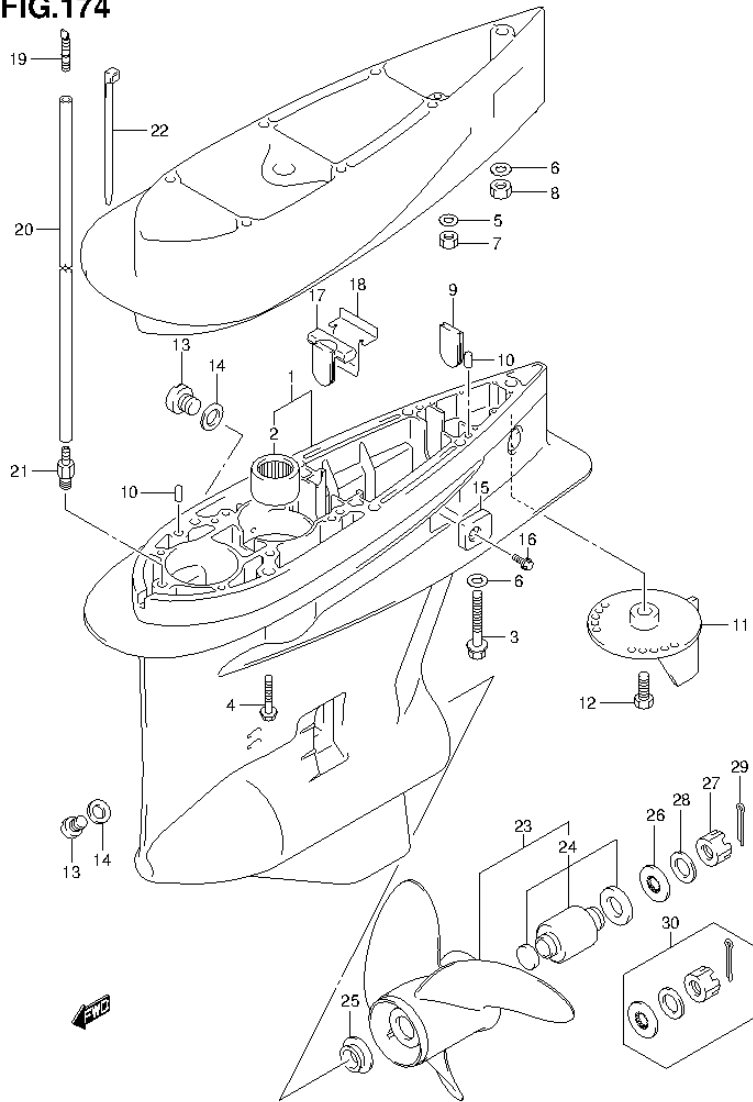


FIG.174 (2-H-11) GEAR CASE (DF250T E03)

REF NO.	PART NO.	DESCRIPTION	Q'TY	REMARKS
1	55110-93J20-0EP	CASE, GEAR (BLACK)	1	
2	09263-32017	.BEARING (32X48X30)	1	
3	09100-12052	BOLT (12X70)	1	W/TRANSOM(X)
4	09116-10150	BOLT (10X55)	6	W/TRANSOM(X)
5	09160-10141	WASHER (10.5X19X2)	6	W/TRANSOM(XX)
6	09160-12066	WASHER (12.5X22X2.5)	1	
7	29141-93J20	NUT, EXTENSION BOLT NO.1	6	W/TRANSOM(XX)
8	09159-12014	NUT	1	W/TRANSOM(XX)
9	17566-87D11	GROMMET, GEAR CASE	1	
10	09202-08006	PIN (8X12)	2	
11	55125-98J00-0EP	TAB, TRIM (BLACK)	1	
12	09116-08137	BOLT (8X22)	1	
13	55128-93J10	PLUG, DRAIN	3	
14	09168-10034	GASKET (9.5X16.5X2)	3	
15	55321-93J00	ANODE, PROTECTION	2	
16	09116-06094	BOLT (6X15)	2	
17	55332-87D11	RUBBER, EXHAUST SEAL	1	
18	55333-87D10	PLATE, EXHAUST SEAL	1	
19	55127-87D00	UNION, SPEEDOMETER HOSE	1	
20	09355-40805-00B	HOSE (4X8X2000)	1	L:2000->1700
21	09362-09008	UNION	1	
22	09407-10404	CLAMP (L:100)	2	
23-1	58200-93L00	PROPELLER (3X16X17)	1	OPT
23-2	58200-93L10	PROPELLER (3X16X18.5)	1	OPT
23-3	58200-93L20	PROPELLER (3X16X20)	1	OPT
23-4	58200-93L30	PROPELLER (3X16X21.5)	1	OPT
23-5	58200-93L40	PROPELLER (3X16X23)	1	OPT
23-6	58200-93L50	PROPELLER (3X16X24.5)	1	OPT
23-7	58200-93L60	PROPELLER (3X16X26)	1	OPT
23-8	58200-93L70	PROPELLER (3X16X27.5)	1	OPT
23-9	58200-96J00	PROPELLER (3X15.5X17)	1	OPT
23-10	58200-96J10	PROPELLER (3X15.25X19)	1	OPT
23-11	58200-96J20	PROPELLER (3X14.75X21)	1	OPT
23-12	58200-96J30	PROPELLER (3X14.75X23)	1	OPT

FIG.174

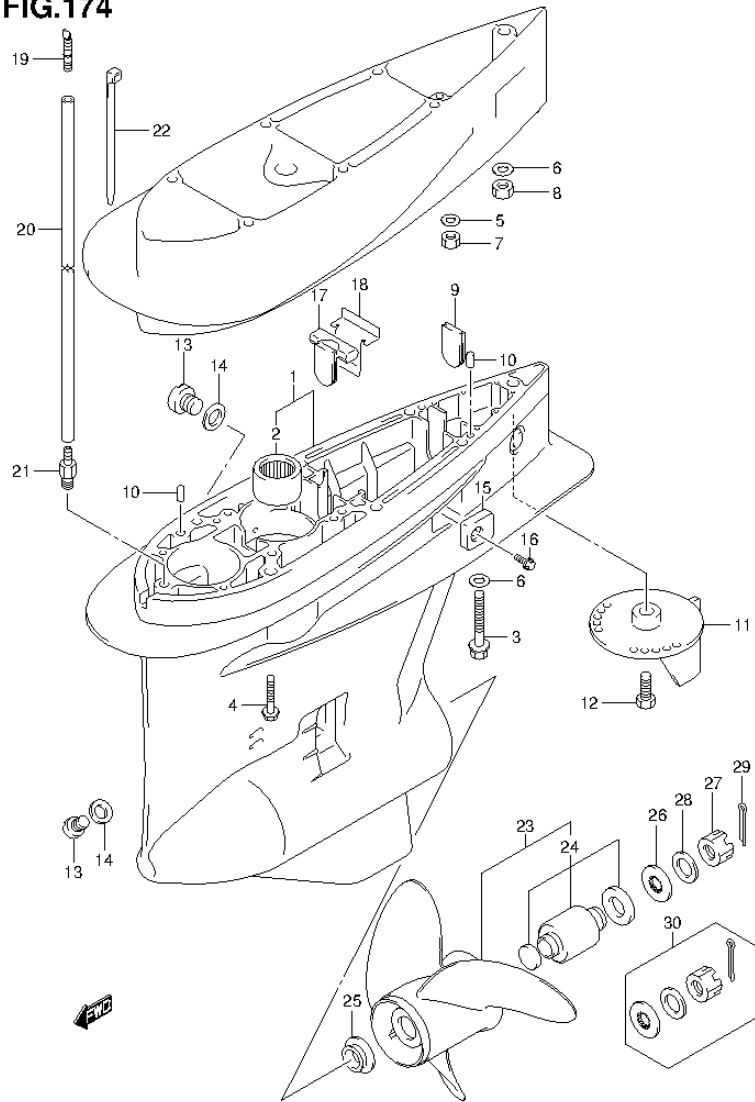


FIG.174 (2-H-12) GEAR CASE (DF250T E03)

REF NO.	PART NO.	DESCRIPTION	Q'TY	REMARKS
23-13	58200-96J40	PROPELLER (3X14.5X25)	1	OPT
23-14	58200-96J50	PROPELLER (3X14.5X27)	1	OPT
24	58105-93J10	.BUSH SET, PROPELLER	1	OPT
25	57632-93L00	STOPPER, PROPELLER BUSH	1	
26	57633-87D30	SPACER, PROPELLER NUT	1	
27	09141-18005	NUT	1	
28	09160-18028	WASHER (18.5X31X1)	1	
29	09204-03003	COTTER PIN	1	
30	57630-92E00	KIT, PROPELLER NUT	1	OPT
31	25700-93J00	KIT, GEAR CASE SEALING	1	OPT

NOT ILLUSTRATED

FIG.175

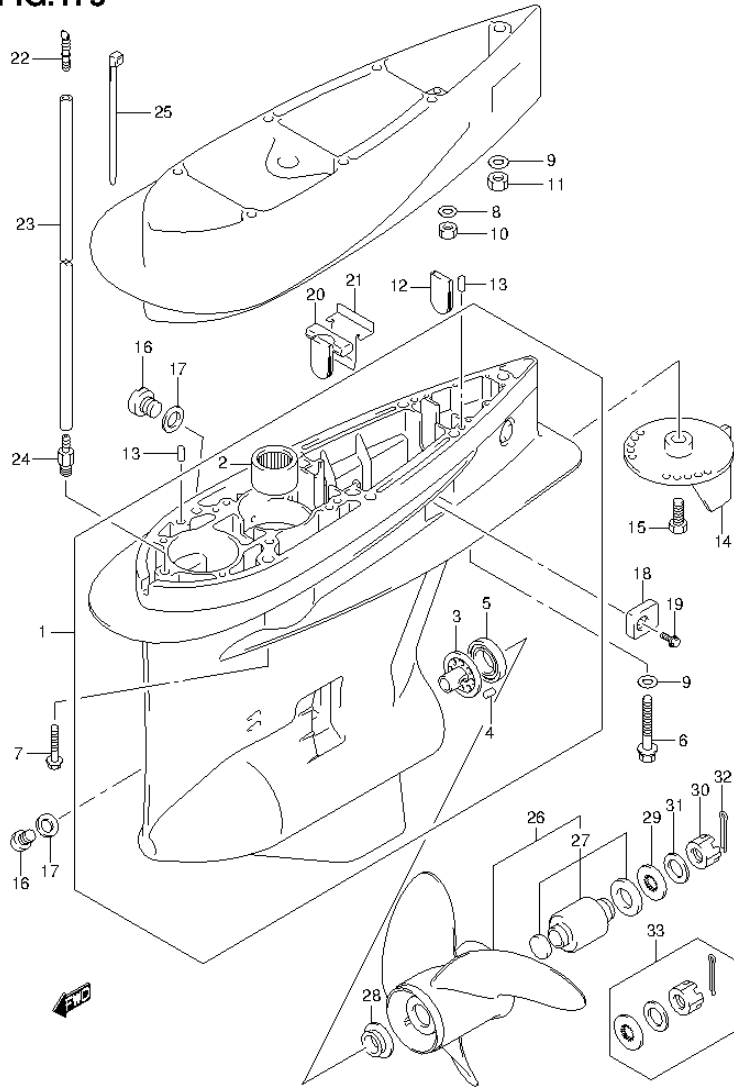


FIG.175 (2-H-13) GEAR CASE (DF250Z E03)

REF NO.	PART NO.	DESCRIPTION	Q'TY	REMARKS
1	55110-93J30-0EP	CASE, GEAR (BLACK)	1	
2	09263-32017	.BEARING (32X48X30)	1	
3	56145-93J00	.HOUSING, SHIFT CAM	1	
4	04221-08129	.PIN	1	
5	09265-50002	.BEARING (50X90X21.75)	1	
6	09100-12052	BOLT (12X70)	1	W/TRANSOM(X)
7	09116-10150	BOLT (10X55)	6	W/TRANSOM(X)
8	09160-10141	WASHER (10.5X19X2)	6	W/TRANSOM(XX)
9	09160-12066	WASHER (12.5X22X2.5)	1	
10	29141-93J20	NUT, EXTENSION BOLT NO.1	6	W/TRANSOM(XX)
11	09159-12014	NUT	1	W/TRANSOM(XX)
12	17566-87D11	GROMMET, GEAR CASE	1	
13	09202-08006	PIN (8X12)	2	
14	55125-98J00-0EP	TAB, TRIM (BLACK)	1	
15	09116-08137	BOLT (8X22)	1	
16	55128-93J10	PLUG, DRAIN	3	
17	09168-10034	GASKET (9.5X16.5X2)	3	
18	55321-93J00	ANODE, PROTECTION	2	
19	09116-06094	BOLT (6X15)	2	
20	55332-87D11	RUBBER, EXHAUST SEAL	1	
21	55333-87D10	PLATE, EXHAUST SEAL	1	
22	55127-87D00	UNION, SPEEDOMETER HOSE	1	
23	09355-40805-00B	HOSE (4X8X2000)	1	L:2000->1700
24	09362-09008	UNION	1	
25	09407-10404	CLAMP (L:100)	2	
26-1	58200-93LA0	PROPELLER (3X16X18.5)	1	OPT
26-2	58200-93LB0	PROPELLER (3X16X20)	1	OPT
26-3	58200-93LC0	PROPELLER (3X16X21.5)	1	OPT
26-4	58200-93LD0	PROPELLER (3X16X23)	1	OPT
26-5	58200-93LE0	PROPELLER (3X16X17)	1	OPT
26-6	58200-93LF0	PROPELLER (3X16X24.5)	1	OPT
26-7	58200-93LG0	PROPELLER (3X16X26)	1	OPT
26-8	58200-96JA0	PROPELLER (3X15.5X17)	1	OPT
26-9	58200-96JB0	PROPELLER (3X15.25X19)	1	OPT

FIG.175

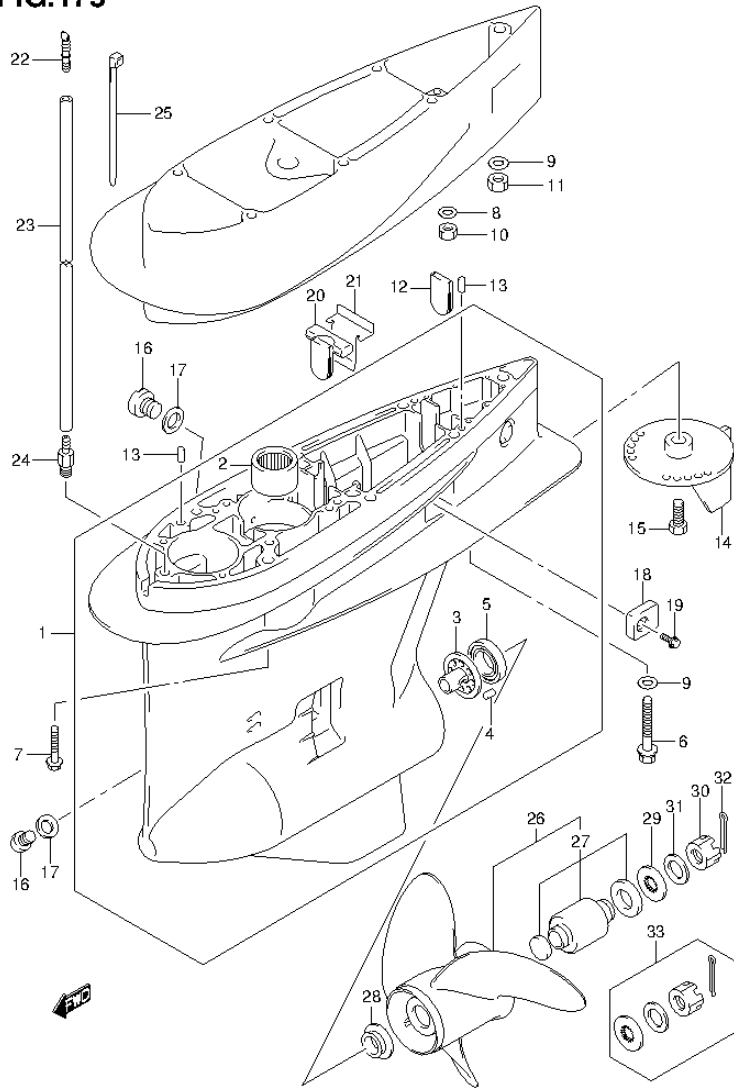


FIG.175 (2-H-14) GEAR CASE (DF250Z E03)

REF NO.	PART NO.	DESCRIPTION	Q'TY	REMARKS
26-10	58200-96JC0	PROPELLER (3X14.75X21)	1	OPT
26-11	58200-96JD0	PROPELLER (3X14.75X23)	1	OPT
26-12	58200-96JE0	PROPELLER (3X14.5X25)	1	OPT
26-13	58200-96JF0	PROPELLER (3X14.5X27)	1	OPT
27	58105-93J10	.BUSH SET, PROPELLER	1	OPT
28	57632-93L00	STOPPER, PROPELLER BUSH	1	
29	57633-87D30	SPACER, PROPELLER NUT	1	
30	09141-18005	NUT	1	
31	09160-18028	WASHER (18.5X31X1)	1	
32	09204-03003	COTTER PIN	1	
33	57630-92E00	KIT, PROPELLER NUT	1	OPT
34	25700-93J00	KIT, GEAR CASE SEALING	1	OPT
				NOT ILLUSTRATED

FIG.176

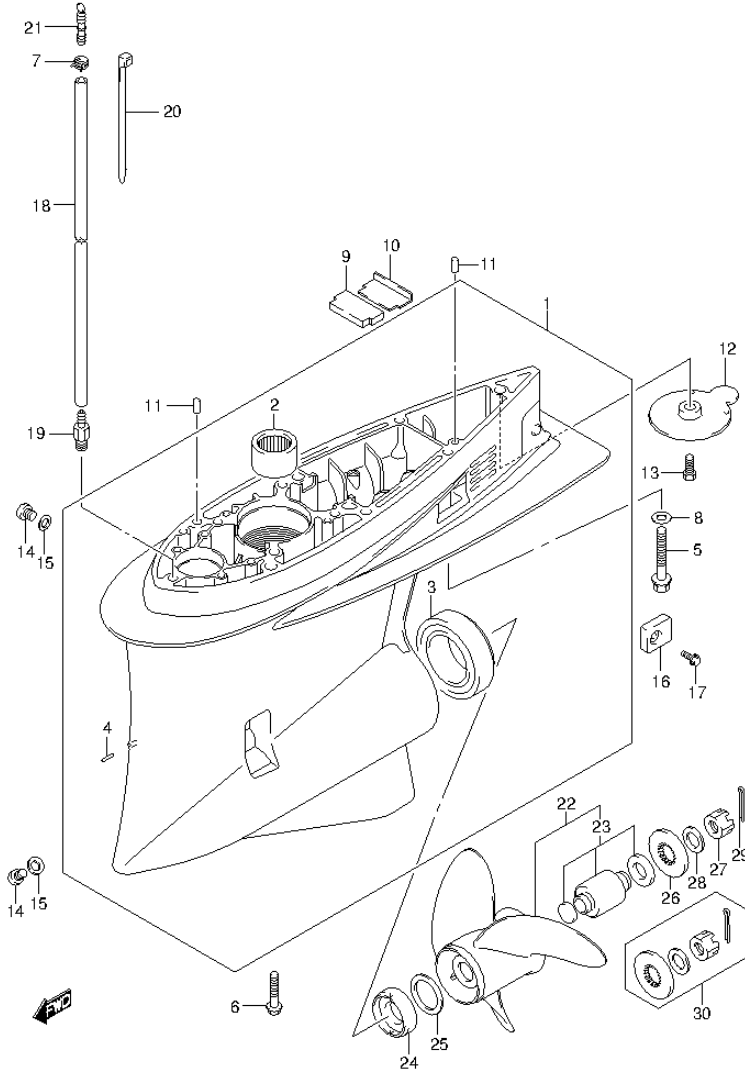


FIG.176 (2-H-15) GEAR CASE (DF250ST E03)

REF NO.	PART NO.	DESCRIPTION	Q'TY	REMARKS
1	55110-98J01-0EP	CASE, GEAR (BLACK)	1	
2	09263-36004	.BEARING (36X51X32)	1	
3	09265-50001	.BEARING (50X90X32)	1	
4	09206-03001	.BUSHING	1	
5	09100-12052	BOLT (12X70)	1	
6	09116-10150	BOLT (10X55)	6	
7	09401-08412	CLIP	1	
8	09160-12066	WASHER (12.5X22X2.5)	1	
9	55332-98J00	RUBBER, EXHAUST SEAL	1	
10	55333-98J00	PLATE, EXHAUST SEAL	1	
11	09202-08006	PIN (8X12)	2	
12	55125-98J10	TAB, TRIM	1	
13	09116-08137	BOLT (8X22)	1	
14	55128-93J10	PLUG, DRAIN	2	
15	09168-10034	GASKET (9.5X16.5X2)	2	
16	55321-93J00	ANODE, PROTECTION	2	
17	09116-06094	BOLT (6X15)	2	
18	09355-40805-00B	HOSE (4X8X2000)	1	L:2000->1700
19	09362-09008	UNION	1	
20	09407-10404	CLAMP (L:100)	2	
21	55127-87D00	UNION, SPEEDOMETER HOSE	1	
22-1	58200-93L00	PROPELLER (3X16X17)	1	OPT
22-2	58200-93L10	PROPELLER (3X16X18.5)	1	OPT
22-3	58200-93L20	PROPELLER (3X16X20)	1	OPT
22-4	58200-93L30	PROPELLER (3X16X21.5)	1	OPT
22-5	58200-93L40	PROPELLER (3X16X23)	1	OPT
22-6	58200-93L50	PROPELLER (3X16X24.5)	1	OPT
22-7	58200-93L60	PROPELLER (3X16X26)	1	OPT
22-8	58200-93L70	PROPELLER (3X16X27.5)	1	OPT
22-9	58200-96J00	PROPELLER (3X15.5X17)	1	OPT
22-10	58200-96J10	PROPELLER (3X15.25X19)	1	OPT
22-11	58200-96J20	PROPELLER (3X14.75X21)	1	OPT
22-12	58200-96J30	PROPELLER (3X14.75X23)	1	OPT
22-13	58200-96J40	PROPELLER (3X14.5X25)	1	OPT

FIG.176

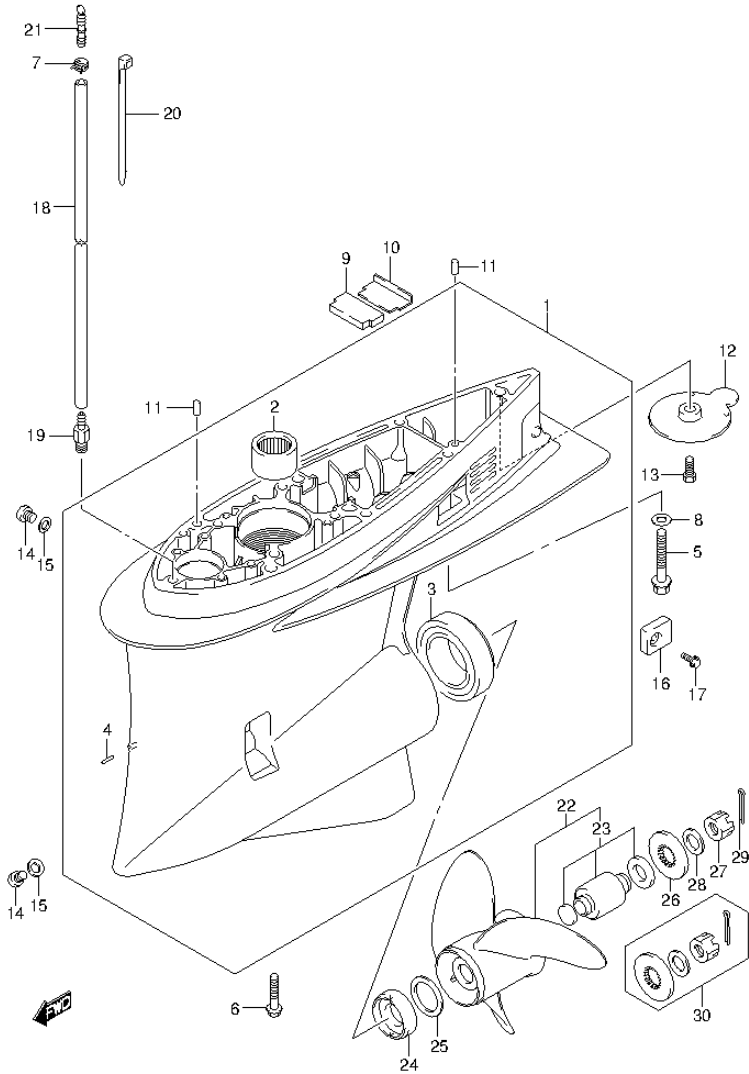


FIG.176 (2-I-2) GEAR CASE (DF250ST E03)

REF NO.	PART NO.	DESCRIPTION	Q'TY	REMARKS
22-14	58200-96J50	PROPELLER (3X14.5X27)	1	OPT
23	58105-93J10	.BUSH SET, PROPELLER	1	OPT
24	57632-93J21	STOPPER, PROPELLER BUSH	1	
25	09160-37006	WASHER (37X55X1)	1	
26	57633-87D30	SPACER, PROPELLER NUT	1	
27	09141-18005	NUT	1	
28	09160-18028	WASHER (18.5X31X1)	1	
29	09204-03003	COTTER PIN	1	
30	57630-92E00	KIT, PROPELLER NUT	1	OPT
31	25700-98J00	KIT, GEAR CASE SEALING	1	OPT NOT ILLUSTRATED

FIG.177

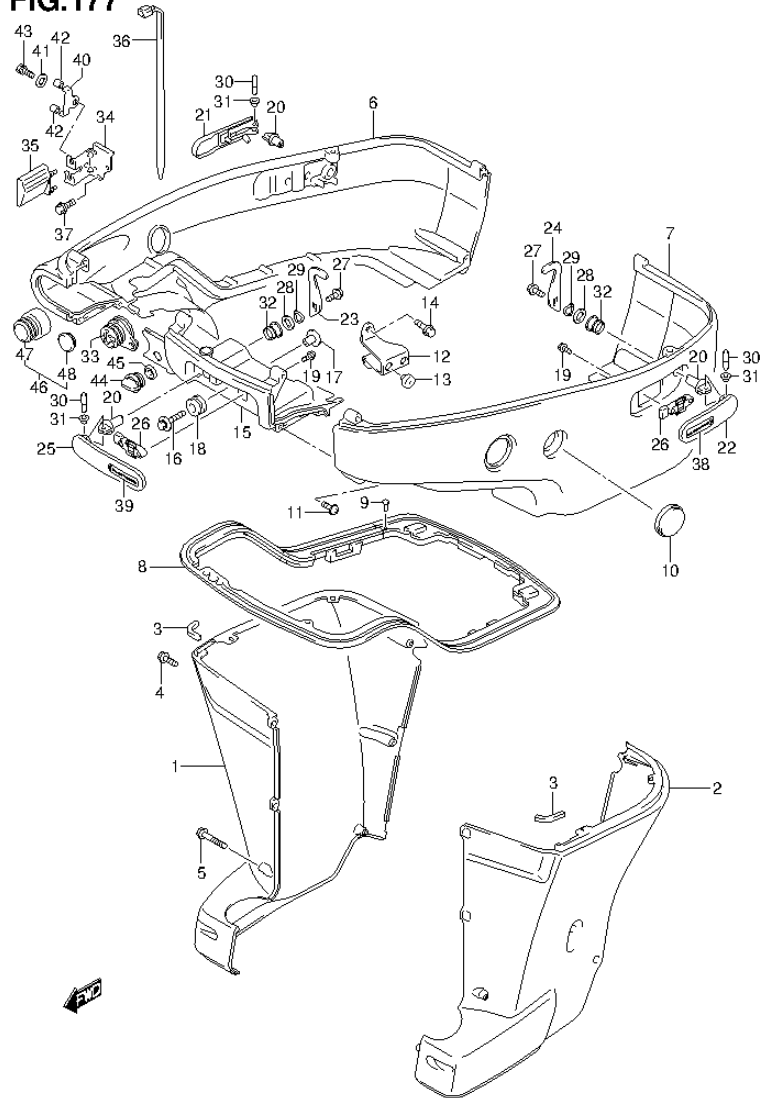


FIG.177 (2-I-3) SIDE COVER TRANSOM(X) (DF200T E03)

REF NO.	PART NO.	DESCRIPTION	Q'TY	REMARKS
1	61131-93J01-0EP	COVER, OIL PAN STBD (BLACK)	1	
2	61141-93J01-0EP	COVER, OIL PAN PORT (BLACK)	1	
3	61137-93J00	CUSHION, OIL PAN COV UPPER	2	
4	09139-06135	SCREW (6X17)	5	
5	09139-06136	SCREW (6X65)	3	
6	61811-93J40-0EP	COVER, SIDE STBD (BLACK)	1	
7	61821-93J10-0EP	COVER, SIDE PORT (BLACK)	1	
8	61134-93J20	SEAL, SIDE COVER	1	
9	09409-05302-5PK	CLIP (BLACK)	2	
10	61817-93J00	PLUG, SIDE COVER	2	
11	09136-06148	SCREW (6X35)	8	
12	61827-93J02	HOLDER, SIDE COVER	1	
13	09321-10030	CUSHION	2	
14	01550-08207	BOLT	2	
15	61831-93J13-0EP	PANEL, FRONT (BLACK)	1	
16	09118-08127	BOLT (8X40)	2	
17	09169-08039	WASHER	2	
18	09320-11013	CUSHION	2	
19	01550-05107	BOLT	6	
20	61632-93J00	SHAFT, ENGINE COVER HOOK	3	
21	61633-93J00-0EP	LEVER, HOOK RR STBD (BLACK)	1	
22	61634-93J00-0EP	LEVER, HOOK RR PORT (BLACK)	1	
23	61641-93J10	HOOK, ENGINE COVER (REAR STBD/FRONT)	2	
24	61641-93J20	HOOK, ENGINE COVER (REAR PORT)	1	
25	61645-93J01-0EP	LEVER, HOOK FR (BLACK)	1	
26	61673-93J01	LATCH, HOOK LEVER	3	
27	09116-06127	BOLT (6X12)	3	
28	09160-13014	WASHER (13.2X25X1)	3	
29	09164-14008	WASHER	3	
30	09202-04022	PIN	3	
31	09306-04005	BUSH	6	
32	09306-13007	BUSH	3	
33	61124-93J40	GROMMET, REMOCON CABLE	1	

FIG.177

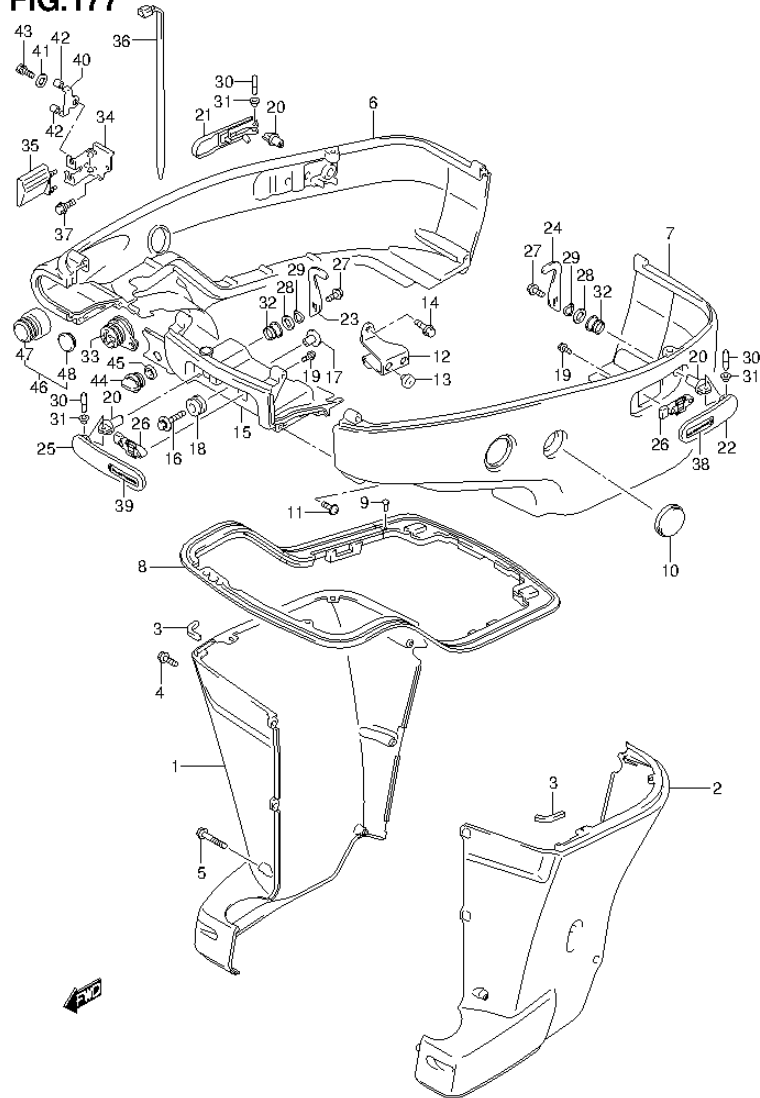


FIG.177 (2-I-4) SIDE COVER TRANSOM(X) (DF200T E03)

REF NO.	PART NO.	DESCRIPTION	Q'TY	REMARKS
34	67341-93J20	HOLDER, REMOCON CABLE	1	
35	67345-93J00	PROTECTOR, R/CON CABLE HOLDER	1	
36	09407-25402	CLAMP (L:248)	1	
37	01550-06167	BOLT	2	
38	61639-93J00	LABEL, HOOK LEVER (REAR PORT)	1	
39	61649-93J00	LABEL, HOOK LEVER (REAR STBD / FRONT)	2	
40	67343-93J20	STOPPER, REMOCON CABLE	1	
41	09160-06047	WASHER (6.5X20X2)	1	
42	09352-70103-600	HOSE (7X10.2X600)	2	L:600->14
43	01570-06107	BOLT	1	
44	17913-93J00	PLUG, WATER	1	
45	17914-93J00	GASKET, WATER PLUG	1	
46	67300-93J00	KIT, HOSE ADAPTER	1	OPT
47	67361-93J00	.ADAPTER, HOSE	1	OPT
48	09250-21003	.PLUG (OD:28)	1	OPT

FIG.178

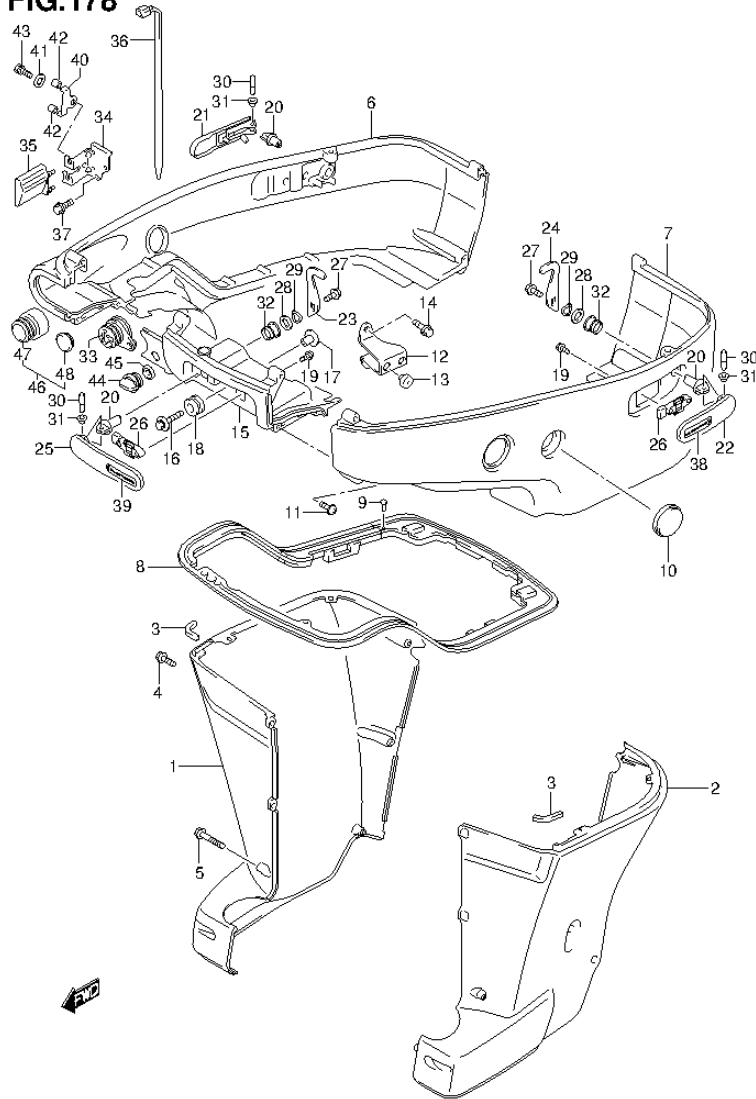


FIG.178 (2-I-5) SIDE COVER TRANSOM(X) (DF200Z E03)

REF NO.	PART NO.	DESCRIPTION	Q'TY	REMARKS
1	61131-93J01-0EP	COVER, OIL PAN STBD (BLACK)	1	
2	61141-93J01-0EP	COVER, OIL PAN PORT (BLACK)	1	
3	61137-93J00	CUSHION, OIL PAN COV UPPER	2	
4	09139-06135	SCREW (6X17)	5	
5	09139-06136	SCREW (6X65)	3	
6	61811-93J40-0EP	COVER, SIDE STBD (BLACK)	1	
7	61821-93J10-0EP	COVER, SIDE PORT (BLACK)	1	
8	61134-93J20	SEAL, SIDE COVER	1	
9	09409-05302-5PK	CLIP (BLACK)	2	
10	61817-93J00	PLUG, SIDE COVER	2	
11	09136-06148	SCREW (6X35)	8	
12	61827-93J02	HOLDER, SIDE COVER	1	
13	09321-10030	CUSHION	2	
14	01550-08207	BOLT	2	
15	61831-93J13-0EP	PANEL, FRONT (BLACK)	1	
16	09118-08127	BOLT (8X40)	2	
17	09169-08039	WASHER	2	
18	09320-11013	CUSHION	2	
19	01550-05107	BOLT	6	
20	61632-93J00	SHAFT, ENGINE COVER HOOK	3	
21	61633-93J00-0EP	LEVER, HOOK RR STBD (BLACK)	1	
22	61634-93J00-0EP	LEVER, HOOK RR PORT (BLACK)	1	
23	61641-93J10	HOOK, ENGINE COVER (REAR STBD/FRONT)	2	
24	61641-93J20	HOOK, ENGINE COVER (REAR PORT)	1	
25	61645-93J01-0EP	LEVER, HOOK FR (BLACK)	1	
26	61673-93J01	LATCH, HOOK LEVER	3	
27	09116-06127	BOLT (6X12)	3	
28	09160-13014	WASHER (13.2X25X1)	3	
29	09164-14008	WASHER	3	
30	09202-04022	PIN	3	
31	09306-04005	BUSH	6	
32	09306-13007	BUSH	3	
33	61124-93J40	GROMMET, REMOCON CABLE	1	

FIG.178

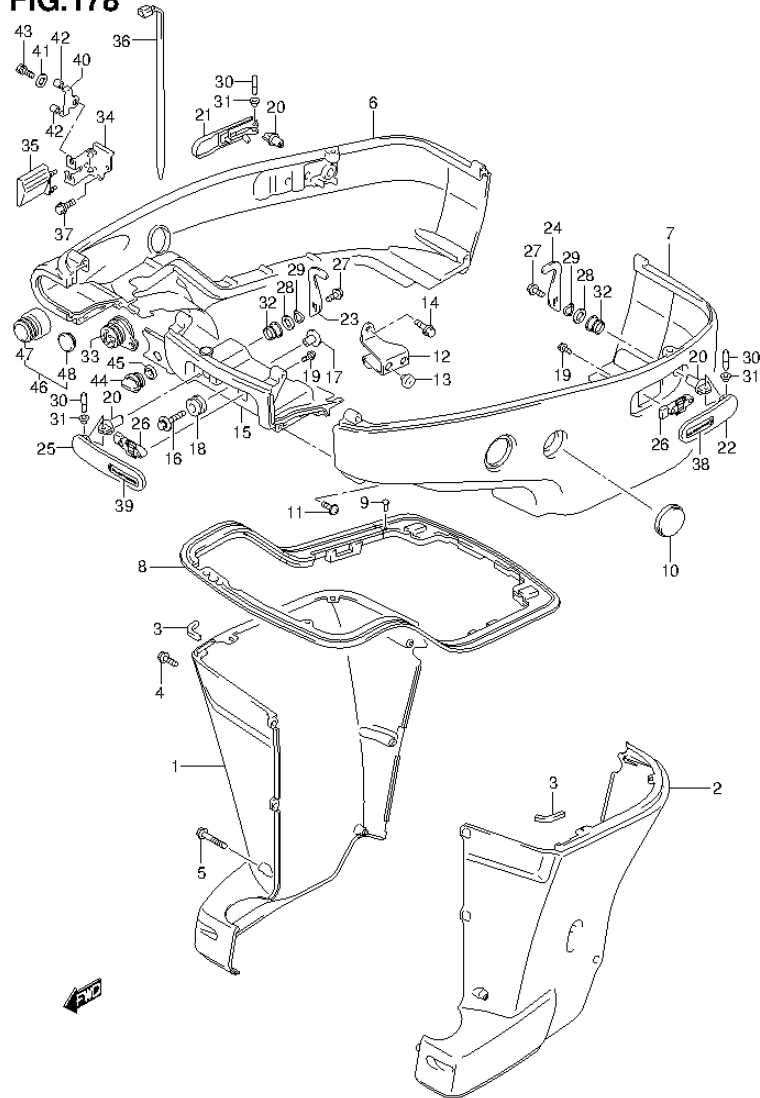


FIG.178 (2-I-6) SIDE COVER TRANSOM(X) (DF200Z E03)

REF NO.	PART NO.	DESCRIPTION	Q'TY	REMARKS
34	67341-93J20	HOLDER, REMOCON CABLE	1	
35	67345-93J00	PROTECTOR, R/CON CABLE HOLDER	1	
36	09407-25402	CLAMP (L:248)	1	
37	01550-06167	BOLT	2	
38	61639-93J00	LABEL, HOOK LEVER (REAR PORT)	1	
39	61649-93J00	LABEL, HOOK LEVER (REAR STBD / FRONT)	2	
40	67343-93J20	STOPPER, REMOCON CABLE	1	
41	09160-06047	WASHER (6.5X20X2)	1	
42	09352-70103-600	HOSE (7X10.2X600)	2	L:600->14
43	01570-06107	BOLT	1	
44	17913-93J00	PLUG, WATER	1	
45	17914-93J00	GASKET, WATER PLUG	1	
46	67300-93J00	KIT, HOSE ADAPTER	1	OPT
47	67361-93J00	.ADAPTER, HOSE	1	OPT
48	09250-21003	.PLUG (OD:28)	1	OPT

FIG.179

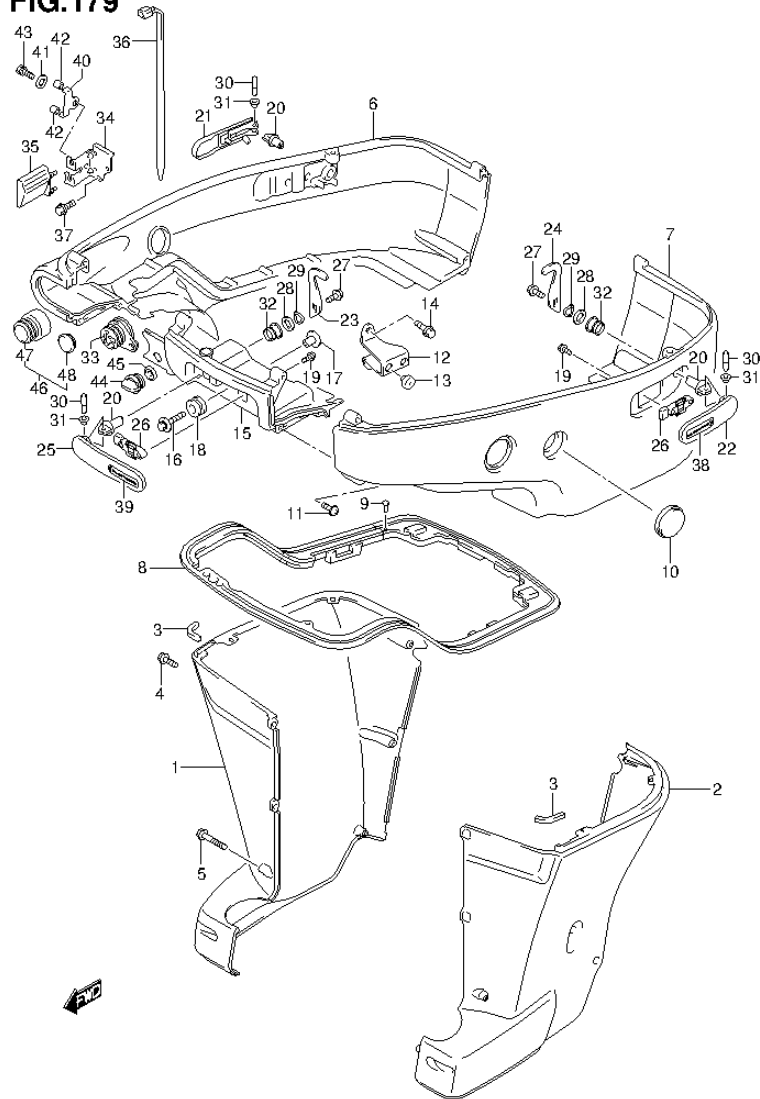


FIG.179 (2-I-7) SIDE COVER TRANSOM(X,XX) (DF225T E03)

REF NO.	PART NO.	DESCRIPTION	Q'TY	REMARKS
1	61131-93J01-0EP	COVER, OIL PAN STBD (BLACK)	1	
2	61141-93J01-0EP	COVER, OIL PAN PORT (BLACK)	1	
3	61137-93J00	CUSHION, OIL PAN COV UPPER	2	
4	09139-06135	SCREW (6X17)	5	
5	09139-06136	SCREW (6X65)	3	
6	61811-93J40-0EP	COVER, SIDE STBD (BLACK)	1	
7	61821-93J10-0EP	COVER, SIDE PORT (BLACK)	1	
8	61134-93J20	SEAL, SIDE COVER	1	
9	09409-05302-5PK	CLIP (BLACK)	2	
10	61817-93J00	PLUG, SIDE COVER	2	
11	09136-06148	SCREW (6X35)	8	
12	61827-93J02	HOLDER, SIDE COVER	1	
13	09321-10030	CUSHION	2	
14	01550-08207	BOLT	2	
15	61831-93J13-0EP	PANEL, FRONT (BLACK)	1	
16	09118-08127	BOLT (8X40)	2	
17	09169-08039	WASHER	2	
18	09320-11013	CUSHION	2	
19	01550-05107	BOLT	6	
20	61632-93J00	SHAFT, ENGINE COVER HOOK	3	
21	61633-93J00-0EP	LEVER, HOOK RR STBD (BLACK)	1	
22	61634-93J00-0EP	LEVER, HOOK RR PORT (BLACK)	1	
23	61641-93J10	HOOK, ENGINE COVER (REAR STBD/FRONT)	2	
24	61641-93J20	HOOK, ENGINE COVER (REAR PORT)	1	
25	61645-93J01-0EP	LEVER, HOOK FR (BLACK)	1	
26	61673-93J01	LATCH, HOOK LEVER	3	
27	09116-06127	BOLT (6X12)	3	
28	09160-13014	WASHER (13.2X25X1)	3	
29	09164-14008	WASHER	3	
30	09202-04022	PIN	3	
31	09306-04005	BUSH	6	
32	09306-13007	BUSH	3	
33	61124-93J40	GROMMET, REMOCON CABLE	1	

FIG.179

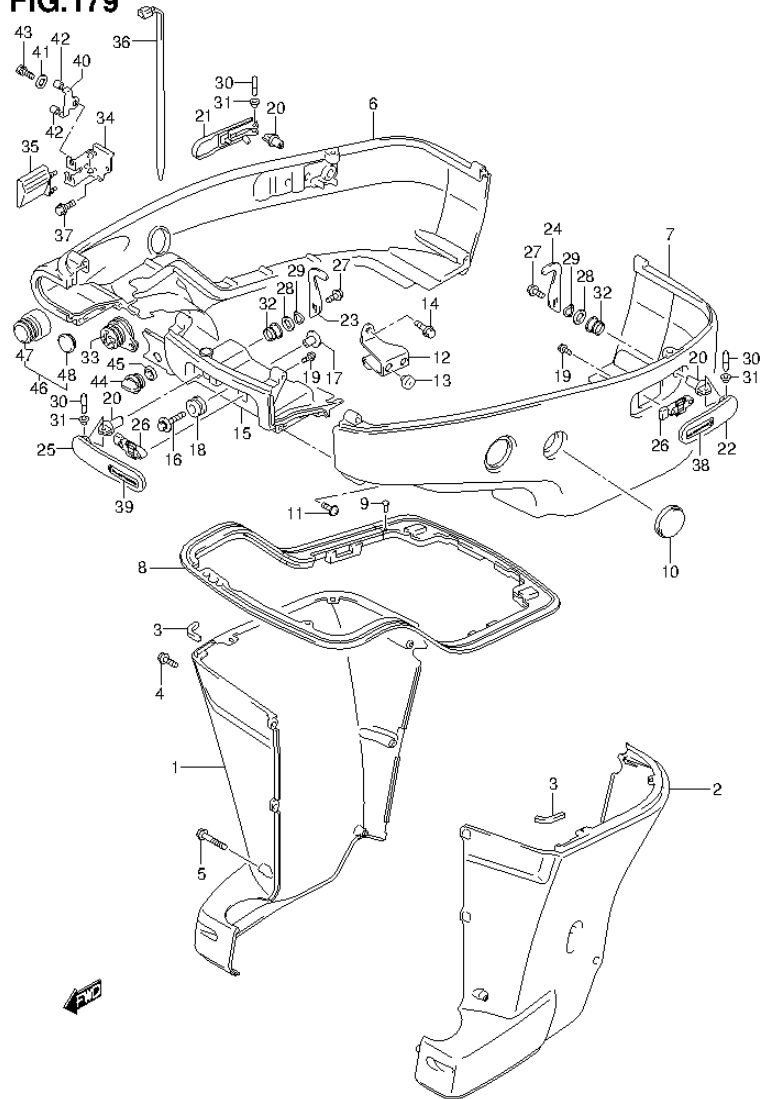


FIG.179 (2-I-8) SIDE COVER TRANSOM(X,XX) (DF25T E03)

REF NO.	PART NO.	DESCRIPTION	Q'TY	REMARKS
34	67341-93J20	HOLDER, REMOCON CABLE	1	
35	67345-93J00	PROTECTOR, R/CON CABLE HOLDER	1	
36	09407-25402	CLAMP (L:248)	1	
37	01550-06167	BOLT	2	
38	61639-93J00	LABEL, HOOK LEVER (REAR PORT)	1	
39	61649-93J00	LABEL, HOOK LEVER (REAR STBD / FRONT)	2	
40	67343-93J20	STOPPER, REMOCON CABLE	1	
41	09160-06047	WASHER (6.5X20X2)	1	
42	09352-70103-600	HOSE (7X10.2X600)	2	L:600->14
43	01570-06107	BOLT	1	
44	17913-93J00	PLUG, WATER	1	
45	17914-93J00	GASKET, WATER PLUG	1	
46	67300-93J00	KIT, HOSE ADAPTER	1	OPT
47	67361-93J00	.ADAPTER, HOSE	1	OPT
48	09250-21003	.PLUG (OD:28)	1	OPT

FIG.180

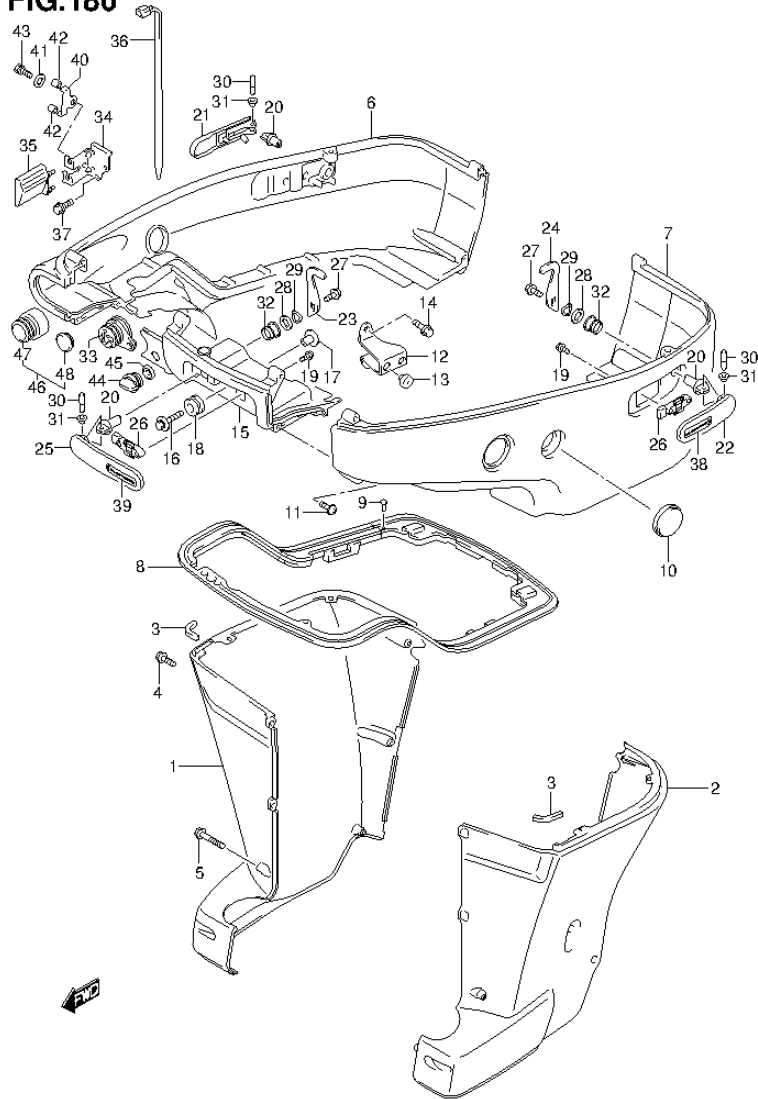


FIG.180 (2-I-9) SIDE COVER TRANSOM(X,XX) (DF225Z E03)

REF NO.	PART NO.	DESCRIPTION	Q'TY	REMARKS
1	61131-93J01-0EP	COVER, OIL PAN STBD (BLACK)	1	
2	61141-93J01-0EP	COVER, OIL PAN PORT (BLACK)	1	
3	61137-93J00	CUSHION, OIL PAN COV UPPER	2	
4	09139-06135	SCREW (6X17)	5	
5	09139-06136	SCREW (6X65)	3	
6	61811-93J40-0EP	COVER, SIDE STBD (BLACK)	1	
7	61821-93J10-0EP	COVER, SIDE PORT (BLACK)	1	
8	61134-93J20	SEAL, SIDE COVER	1	
9	09409-05302-5PK	CLIP (BLACK)	2	
10	61817-93J00	PLUG, SIDE COVER	2	
11	09136-06148	SCREW (6X35)	8	
12	61827-93J02	HOLDER, SIDE COVER	1	
13	09321-10030	CUSHION	2	
14	01550-08207	BOLT	2	
15	61831-93J13-0EP	PANEL, FRONT (BLACK)	1	
16	09118-08127	BOLT (8X40)	2	
17	09169-08039	WASHER	2	
18	09320-11013	CUSHION	2	
19	01550-05107	BOLT	6	
20	61632-93J00	SHAFT, ENGINE COVER HOOK	3	
21	61633-93J00-0EP	LEVER, HOOK RR STBD (BLACK)	1	
22	61634-93J00-0EP	LEVER, HOOK RR PORT (BLACK)	1	
23	61641-93J10	HOOK, ENGINE COVER (REAR STBD/FRONT)	2	
24	61641-93J20	HOOK, ENGINE COVER (REAR PORT)	1	
25	61645-93J01-0EP	LEVER, HOOK FR (BLACK)	1	
26	61673-93J01	LATCH, HOOK LEVER	3	
27	09116-06127	BOLT (6X12)	3	
28	09160-13014	WASHER (13.2X25X1)	3	
29	09164-14008	WASHER	3	
30	09202-04022	PIN	3	
31	09306-04005	BUSH	6	
32	09306-13007	BUSH	3	
33	61124-93J40	GROMMET, REMOCON CABLE	1	

FIG.180

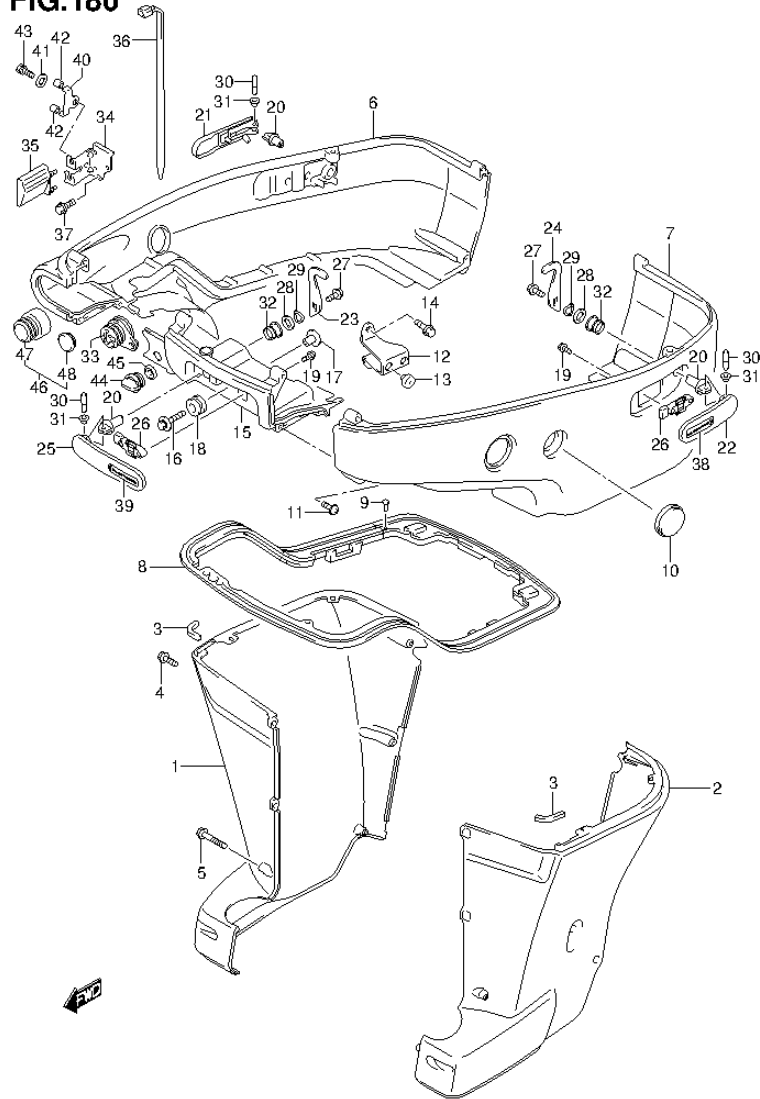


FIG.180 (2-I-10) SIDE COVER TRANSOM(X,XX) (DF225Z E03)

REF NO.	PART NO.	DESCRIPTION	Q'TY	REMARKS
34	67341-93J20	HOLDER, REMOCON CABLE	1	
35	67345-93J00	PROTECTOR, R/CON CABLE HOLDER	1	
36	09407-25402	CLAMP (L:248)	1	
37	01550-06167	BOLT	2	
38	61639-93J00	LABEL, HOOK LEVER (REAR PORT)	1	
39	61649-93J00	LABEL, HOOK LEVER (REAR STBD / FRONT)	2	
40	67343-93J20	STOPPER, REMOCON CABLE	1	
41	09160-06047	WASHER (6.5X20X2)	1	
42	09352-70103-600	HOSE (7X10.2X600)	2	L:600->14
43	01570-06107	BOLT	1	
44	17913-93J00	PLUG, WATER	1	
45	17914-93J00	GASKET, WATER PLUG	1	
46	67300-93J00	KIT, HOSE ADAPTER	1	OPT
47	67361-93J00	.ADAPTER, HOSE	1	OPT
48	09250-21003	.PLUG (OD:28)	1	OPT

FIG.181

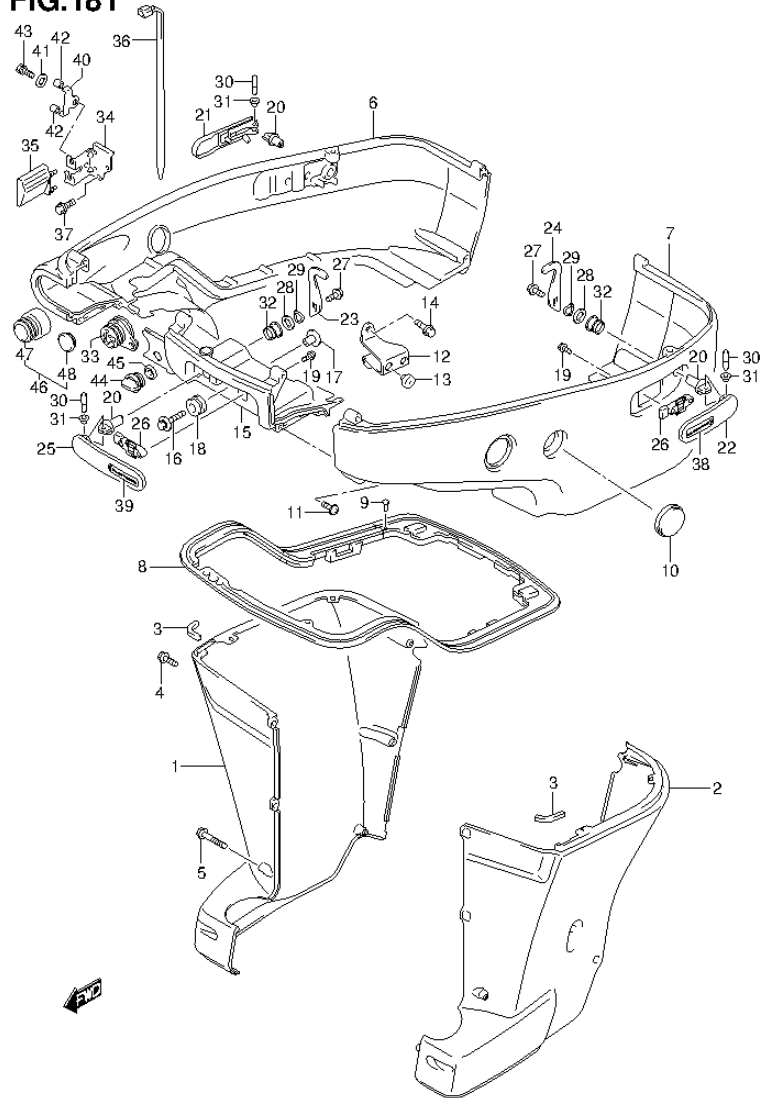


FIG.181 (2-I-11) SIDE COVER TRANSOM(X,XX) (DF250T E03)

REF NO.	PART NO.	DESCRIPTION	Q'TY	REMARKS
1	61131-93J01-0EP	COVER, OIL PAN STBD (BLACK)	1	
2	61141-93J01-0EP	COVER, OIL PAN PORT (BLACK)	1	
3	61137-93J00	CUSHION, OIL PAN COV UPPER	2	
4	09139-06135	SCREW (6X17)	5	
5	09139-06136	SCREW (6X65)	3	
6	61811-93J40-0EP	COVER, SIDE STBD (BLACK)	1	
7	61821-93J10-0EP	COVER, SIDE PORT (BLACK)	1	
8	61134-93J20	SEAL, SIDE COVER	1	
9	09409-05302-5PK	CLIP (BLACK)	2	
10	61817-93J00	PLUG, SIDE COVER	2	
11	09136-06148	SCREW (6X35)	8	
12	61827-93J02	HOLDER, SIDE COVER	1	
13	09321-10030	CUSHION	2	
14	01550-08207	BOLT	2	
15	61831-93J13-0EP	PANEL, FRONT (BLACK)	1	
16	09118-08127	BOLT (8X40)	2	
17	09169-08039	WASHER	2	
18	09320-11013	CUSHION	2	
19	01550-05107	BOLT	6	
20	61632-93J00	SHAFT, ENGINE COVER HOOK	3	
21	61633-93J00-0EP	LEVER, HOOK RR STBD (BLACK)	1	
22	61634-93J00-0EP	LEVER, HOOK RR PORT (BLACK)	1	
23	61641-93J10	HOOK, ENGINE COVER (REAR STBD/FRONT)	2	
24	61641-93J20	HOOK, ENGINE COVER (REAR PORT)	1	
25	61645-93J01-0EP	LEVER, HOOK FR (BLACK)	1	
26	61673-93J01	LATCH, HOOK LEVER	3	
27	09116-06127	BOLT (6X12)	3	
28	09160-13014	WASHER (13.2X25X1)	3	
29	09164-14008	WASHER	3	
30	09202-04022	PIN	3	
31	09306-04005	BUSH	6	
32	09306-13007	BUSH	3	
33	61124-93J40	GROMMET, REMOCON CABLE	1	

FIG.181

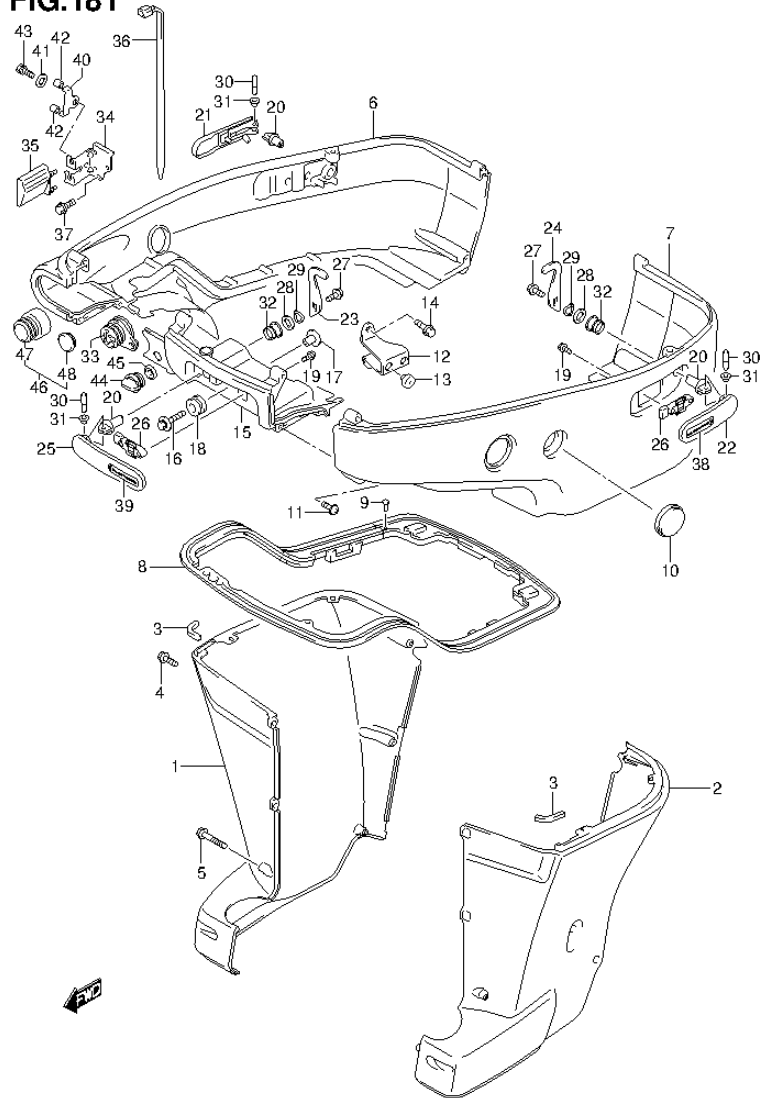


FIG.181 (2-I-12) SIDE COVER TRANSOM(X,XX) (DF250T E03)

REF NO.	PART NO.	DESCRIPTION	Q'TY	REMARKS
34	67341-93J20	HOLDER, REMOCON CABLE	1	
35	67345-93J00	PROTECTOR, R/CON CABLE HOLDER	1	
36	09407-25402	CLAMP (L:248)	1	
37	01550-06167	BOLT	2	
38	61639-93J00	LABEL, HOOK LEVER (REAR PORT)	1	
39	61649-93J00	LABEL, HOOK LEVER (REAR STBD / FRONT)	2	
40	67343-93J20	STOPPER, REMOCON CABLE	1	
41	09160-06047	WASHER (6.5X20X2)	1	
42	09352-70103-600	HOSE (7X10.2X600)	2	L:600->14
43	01570-06107	BOLT	1	
44	17913-93J00	PLUG, WATER	1	
45	17914-93J00	GASKET, WATER PLUG	1	
46	67300-93J00	KIT, HOSE ADAPTER	1	OPT
47	67361-93J00	.ADAPTER, HOSE	1	OPT
48	09250-21003	.PLUG (OD:28)	1	OPT

FIG.182

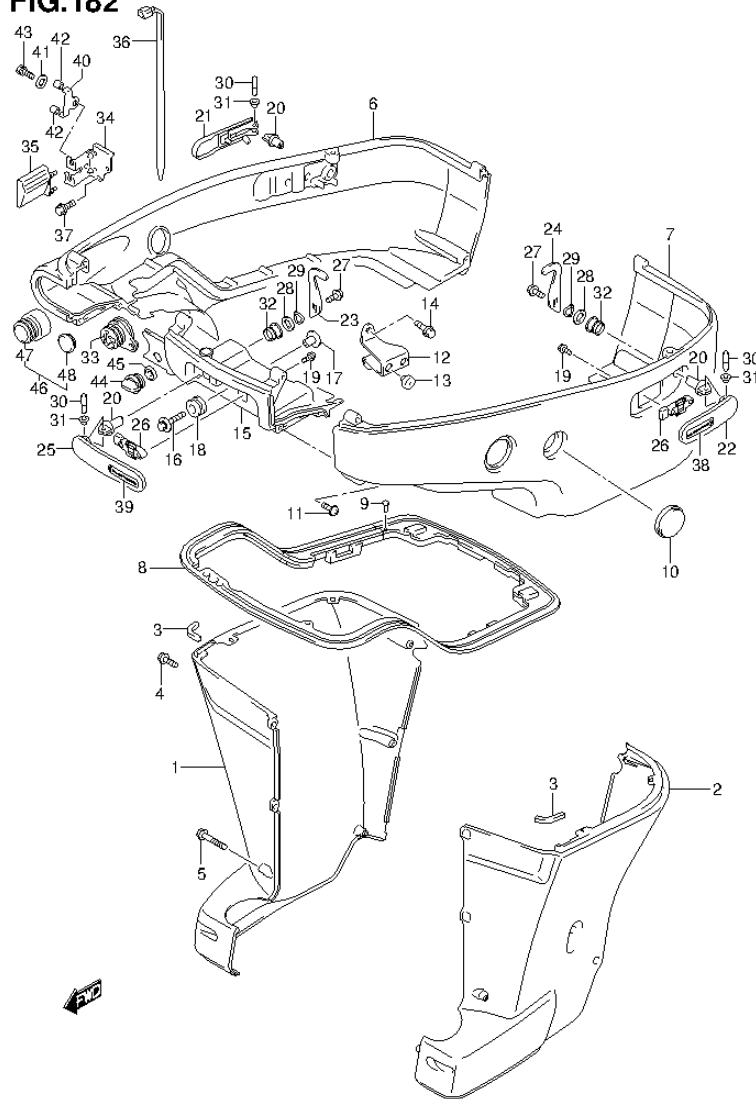


FIG.182 (2-I-13) SIDE COVER TRANSOM(X,XX) (DF250Z E03)

REF NO.	PART NO.	DESCRIPTION	Q'TY	REMARKS
1	61131-93J01-0EP	COVER, OIL PAN STBD (BLACK)	1	
2	61141-93J01-0EP	COVER, OIL PAN PORT (BLACK)	1	
3	61137-93J00	CUSHION, OIL PAN COV UPPER	2	
4	09139-06135	SCREW (6X17)	5	
5	09139-06136	SCREW (6X65)	3	
6	61811-93J40-0EP	COVER, SIDE STBD (BLACK)	1	
7	61821-93J10-0EP	COVER, SIDE PORT (BLACK)	1	
8	61134-93J20	SEAL, SIDE COVER	1	
9	09409-05302-5PK	CLIP (BLACK)	2	
10	61817-93J00	PLUG, SIDE COVER	2	
11	09136-06148	SCREW (6X35)	8	
12	61827-93J02	HOLDER, SIDE COVER	1	
13	09321-10030	CUSHION	2	
14	01550-08207	BOLT	2	
15	61831-93J13-0EP	PANEL, FRONT (BLACK)	1	
16	09118-08127	BOLT (8X40)	2	
17	09169-08039	WASHER	2	
18	09320-11013	CUSHION	2	
19	01550-05107	BOLT	6	
20	61632-93J00	SHAFT, ENGINE COVER HOOK	3	
21	61633-93J00-0EP	LEVER, HOOK RR STBD (BLACK)	1	
22	61634-93J00-0EP	LEVER, HOOK RR PORT (BLACK)	1	
23	61641-93J10	HOOK, ENGINE COVER (REAR STBD/FRONT)	2	
24	61641-93J20	HOOK, ENGINE COVER (REAR PORT)	1	
25	61645-93J01-0EP	LEVER, HOOK FR (BLACK)	1	
26	61673-93J01	LATCH, HOOK LEVER	3	
27	09116-06127	BOLT (6X12)	3	
28	09160-13014	WASHER (13.2X25X1)	3	
29	09164-14008	WASHER	3	
30	09202-04022	PIN	3	
31	09306-04005	BUSH	6	
32	09306-13007	BUSH	3	
33	61124-93J40	GROMMET, REMOCON CABLE	1	

FIG.182

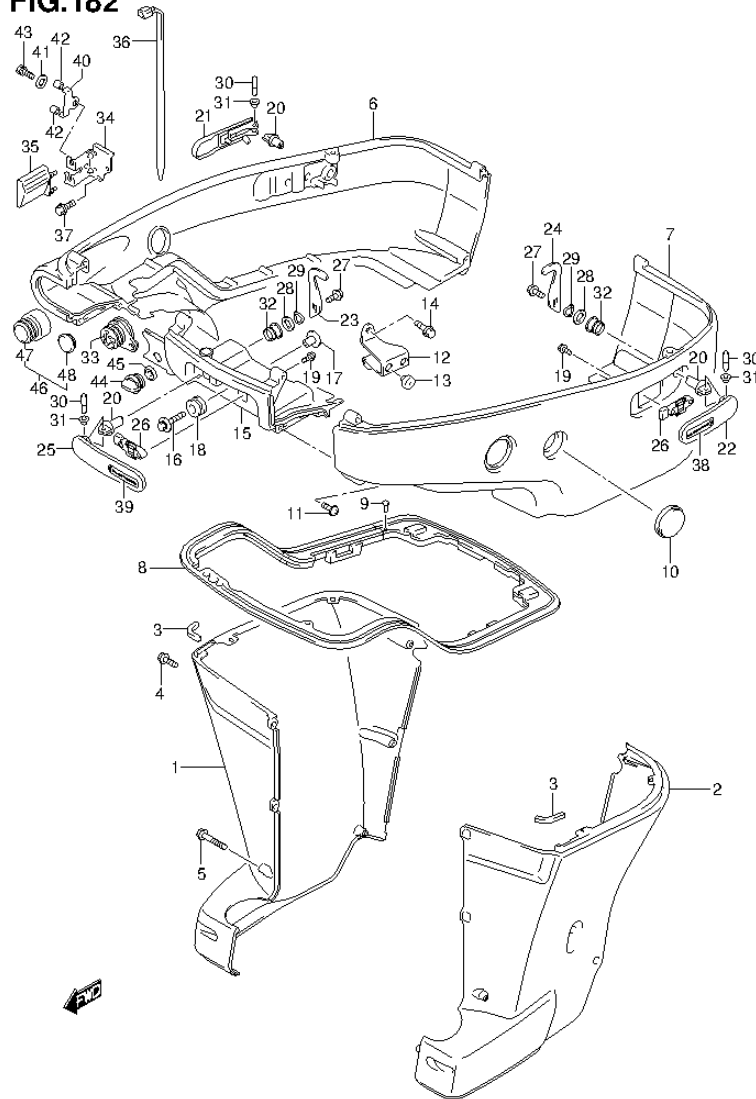


FIG.182 (2-I-14) SIDE COVER TRANSOM(X,XX) (DF250Z E03)

REF NO.	PART NO.	DESCRIPTION	Q'TY	REMARKS
34	67341-93J20	HOLDER, REMOCON CABLE	1	
35	67345-93J00	PROTECTOR, R/CON CABLE HOLDER	1	
36	09407-25402	CLAMP (L:248)	1	
37	01550-06167	BOLT	2	
38	61639-93J00	LABEL, HOOK LEVER (REAR PORT)	1	
39	61649-93J00	LABEL, HOOK LEVER (REAR STBD / FRONT)	2	
40	67343-93J20	STOPPER, REMOCON CABLE	1	
41	09160-06047	WASHER (6.5X20X2)	1	
42	09352-70103-600	HOSE (7X10.2X600)	2	L:600->14
43	01570-06107	BOLT	1	
44	17913-93J00	PLUG, WATER	1	
45	17914-93J00	GASKET, WATER PLUG	1	
46	67300-93J00	KIT, HOSE ADAPTER	1	OPT
47	67361-93J00	.ADAPTER, HOSE	1	OPT
48	09250-21003	.PLUG (OD:28)	1	OPT

FIG.183

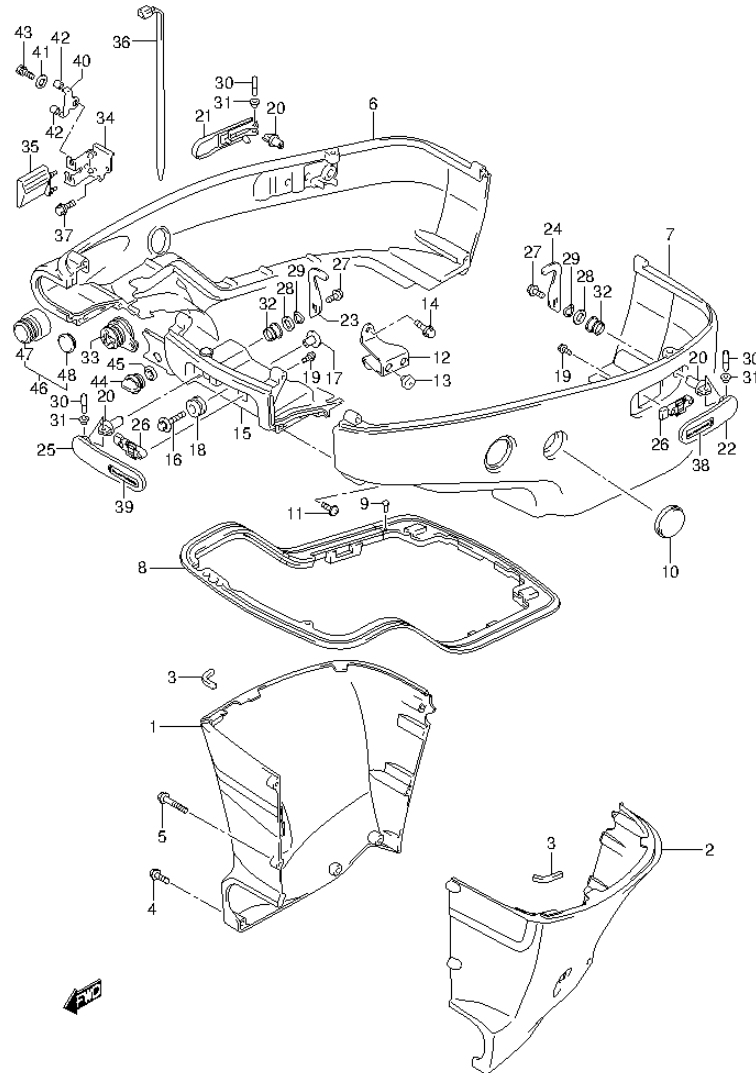


FIG.183 (2-I-15) SIDE COVER TRANSOM(L) (DF200T E03)

REF NO.	PART NO.	DESCRIPTION	Q'TY	REMARKS
1	61131-93J20-0EP	COVER, OIL PAN STBD (BLACK)	1	
2	61141-93J20-0EP	COVER, OIL PAN PORT (BLACK)	1	
3	61137-93J00	CUSHION, OIL PAN COV UPPER	2	
4	09136-06161	SCREW (6X17)	8	
5	09136-06148	SCREW (6X35)	3	
6	61811-93J30-0EP	COVER, SIDE STBD (BLACK)	1	
7	61821-93J10-0EP	COVER, SIDE PORT (BLACK)	1	
8	61134-93J20	SEAL, SIDE COVER	1	
9	09409-05302-5PK	CLIP (BLACK)	2	
10	61817-93J00	PLUG, SIDE COVER	2	
11	09136-06148	SCREW (6X35)	8	
12	61827-93J02	HOLDER, SIDE COVER	1	
13	09321-10030	CUSHION	2	
14	01550-08207	BOLT	2	
15	61831-93J13-0EP	PANEL, FRONT (BLACK)	1	
16	09118-08127	BOLT (8X40)	2	
17	09169-08039	WASHER	2	
18	09320-11013	CUSHION	2	
19	01550-05107	BOLT	6	
20	61632-93J00	SHAFT, ENGINE COVER HOOK	3	
21	61633-93J00-0EP	LEVER, HOOK RR STBD (BLACK)	1	
22	61634-93J00-0EP	LEVER, HOOK RR PORT (BLACK)	1	
23	61641-93J10	HOOK, ENGINE COVER (REAR STBD/FRONT)	2	
24	61641-93J20	HOOK, ENGINE COVER (REAR PORT)	1	
25	61645-93J01-0EP	LEVER, HOOK FR (BLACK)	1	
26	61673-93J01	LATCH, HOOK LEVER	3	
27	09116-06127	BOLT (6X12)	3	
28	09160-13014	WASHER (13.2X25X1)	3	
29	09164-14008	WASHER	3	
30	09202-04022	PIN	3	
31	09306-04005	BUSH	6	
32	09306-13007	BUSH	3	
33	61124-93J40	GROMMET, REMOCON CABLE	1	

FIG.183

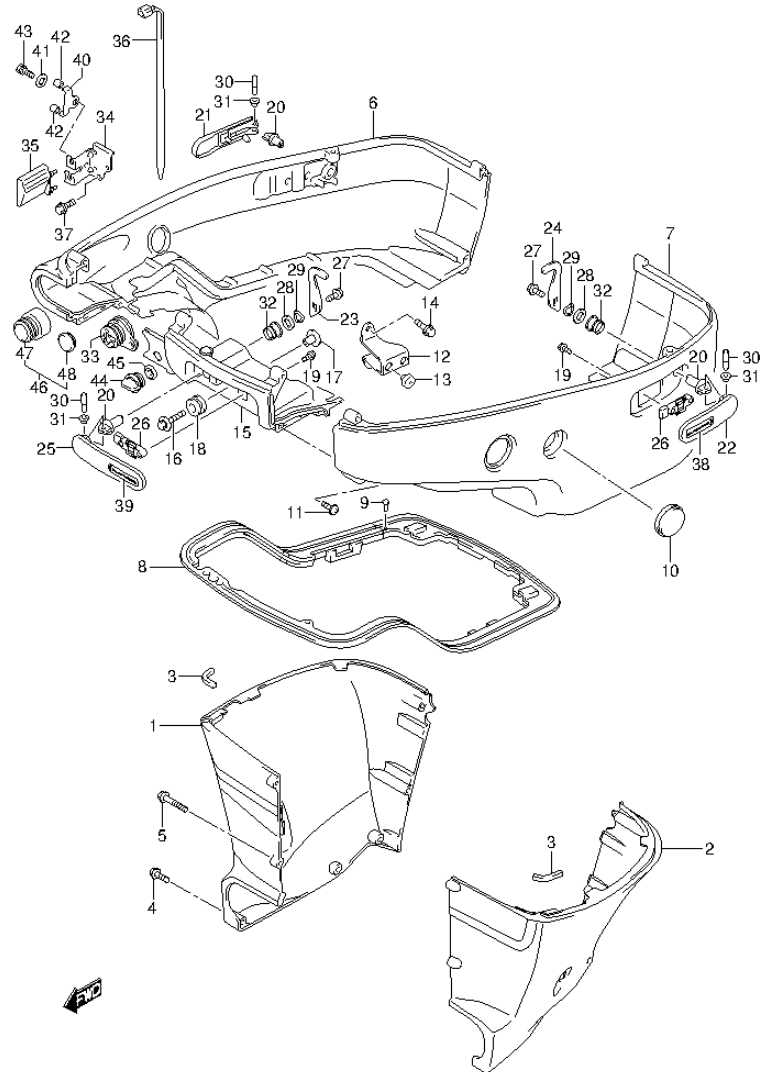


FIG.183 (2-J-2) SIDE COVER TRANSOM(L) (DF200T E03)

REF NO.	PART NO.	DESCRIPTION	Q'TY	REMARKS
34	67341-93J20	HOLDER, REMOCON CABLE	1	
35	67345-93J00	PROTECTOR, R/CON CABLE HOLDER	1	
36	09407-25402	CLAMP (L:248)	1	
37	01550-06167	BOLT	2	
38	61639-93J00	LABEL, HOOK LEVER (REAR PORT)	1	
39	61649-93J00	LABEL, HOOK LEVER (REAR STBD / FRONT)	2	
40	67343-93J20	STOPPER, REMOCON CABLE	1	
41	09160-06047	WASHER (6.5X20X2)	1	
42	09352-70103-600	HOSE (7X10.2X600)	2	L:600->14
43	01570-06107	BOLT	1	
44	17913-93J00	PLUG, WATER	1	
45	17914-93J00	GASKET, WATER PLUG	1	
46	67300-93J00	KIT, HOSE ADAPTER	1	OPT
47	67361-93J00	.ADAPTER, HOSE	1	OPT
48	09250-21003	.PLUG (OD:28)	1	OPT

FIG.184

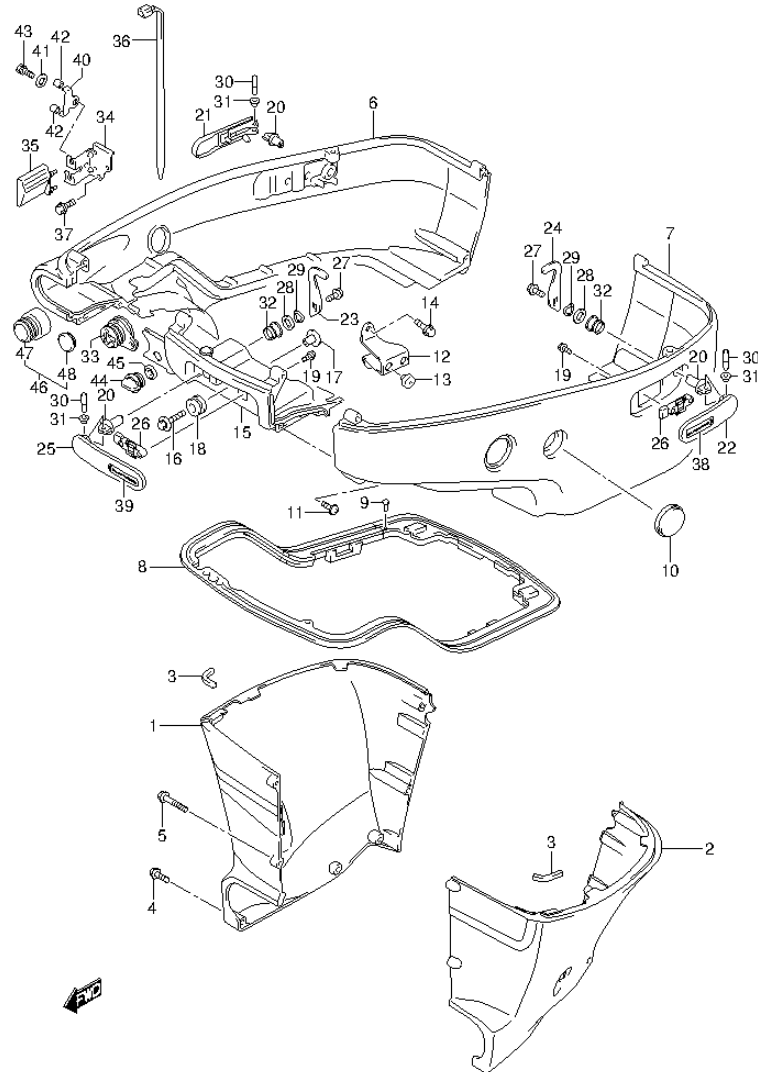


FIG.184 (2-J-3) SIDE COVER TRANSOM(L) (DF250ST E03)

REF NO.	PART NO.	DESCRIPTION	Q'TY	REMARKS
1	61131-93J20-0EP	COVER, OIL PAN STBD (BLACK)	1	
2	61141-93J20-0EP	COVER, OIL PAN PORT (BLACK)	1	
3	61137-93J00	CUSHION, OIL PAN COV UPPER	2	
4	09136-06161	SCREW (6X17)	8	
5	09136-06148	SCREW (6X35)	3	
6	61811-93J30-0EP	COVER, SIDE STBD (BLACK)	1	
7	61821-93J10-0EP	COVER, SIDE PORT (BLACK)	1	
8	61134-93J20	SEAL, SIDE COVER	1	
9	09409-05302-5PK	CLIP (BLACK)	2	
10	61817-93J00	PLUG, SIDE COVER	2	
11	09136-06148	SCREW (6X35)	8	
12	61827-93J02	HOLDER, SIDE COVER	1	
13	09321-10030	CUSHION	2	
14	01550-08207	BOLT	2	
15	61831-93J13-0EP	PANEL, FRONT (BLACK)	1	
16	09118-08127	BOLT (8X40)	2	
17	09169-08039	WASHER	2	
18	09320-11013	CUSHION	2	
19	01550-05107	BOLT	6	
20	61632-93J00	SHAFT, ENGINE COVER HOOK	3	
21	61633-93J00-0EP	LEVER, HOOK RR STBD (BLACK)	1	
22	61634-93J00-0EP	LEVER, HOOK RR PORT (BLACK)	1	
23	61641-93J10	HOOK, ENGINE COVER (REAR STBD/FRONT)	2	
24	61641-93J20	HOOK, ENGINE COVER (REAR PORT)	1	
25	61645-93J01-0EP	LEVER, HOOK FR (BLACK)	1	
26	61673-93J01	LATCH, HOOK LEVER	3	
27	09116-06127	BOLT (6X12)	3	
28	09160-13014	WASHER (13.2X25X1)	3	
29	09164-14008	WASHER	3	
30	09202-04022	PIN	3	
31	09306-04005	BUSH	6	
32	09306-13007	BUSH	3	
33	61124-93J40	GROMMET, REMOCON CABLE	1	

FIG.184

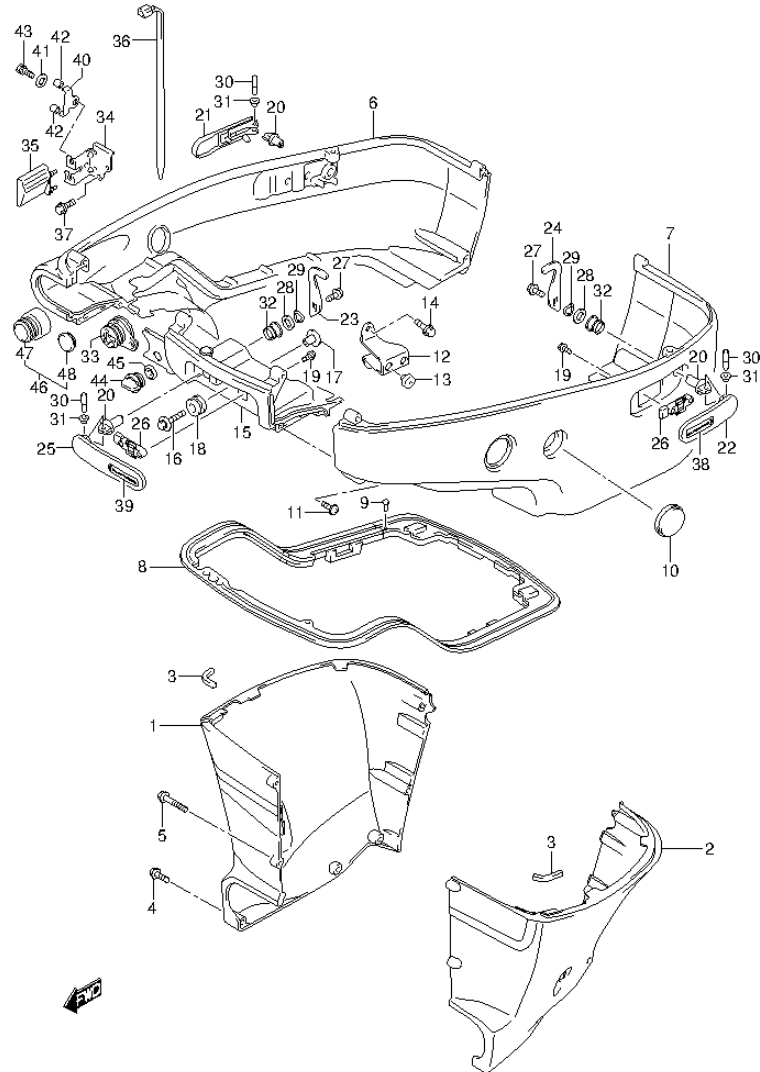


FIG.184 (2-J-4) SIDE COVER TRANSOM(L) (DF250ST E03)

REF NO.	PART NO.	DESCRIPTION	Q'TY	REMARKS
34	67341-93J20	HOLDER, REMOCON CABLE	1	
35	67345-93J00	PROTECTOR, R/CON CABLE HOLDER	1	
36	09407-25402	CLAMP (L:248)	1	
37	01550-06167	BOLT	2	
38	61639-93J00	LABEL, HOOK LEVER (REAR PORT)	1	
39	61649-93J00	LABEL, HOOK LEVER (REAR STBD / FRONT)	2	
40	67343-93J20	STOPPER, REMOCON CABLE	1	
41	09160-06047	WASHER (6.5X20X2)	1	
42	09352-70103-600	HOSE (7X10.2X600)	2	L:600->14
43	01570-06107	BOLT	1	
44	17913-93J00	PLUG, WATER	1	
45	17914-93J00	GASKET, WATER PLUG	1	
46	67300-93J00	KIT, HOSE ADAPTER	1	OPT
47	67361-93J00	.ADAPTER, HOSE	1	OPT
48	09250-21003	.PLUG (OD:28)	1	OPT

FIG.185

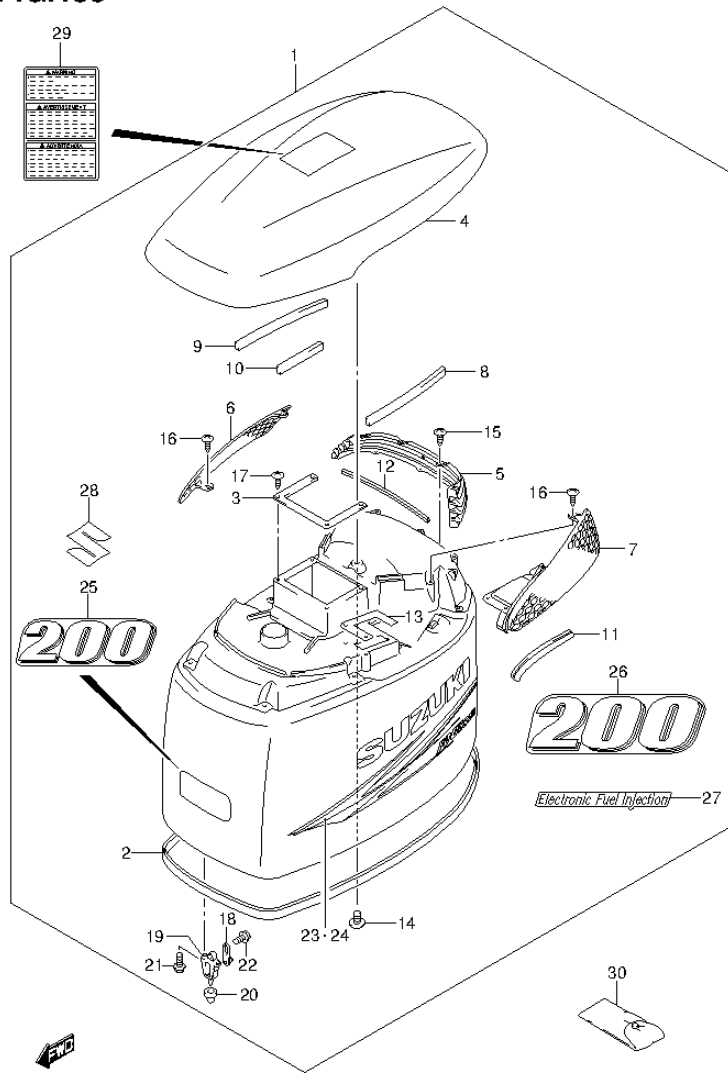


FIG.185 (2-J-5) ENGINE COVER (DF200T E03)

REF NO.	PART NO.	DESCRIPTION	Q'TY	REMARKS
1	61420-93835-0EP	COVER SET, ENGINE (BLACK)	1	
2	61112-93J20	.RUBBER, ENG COVER	1	
3	61416-93J00	.GUARD, AIR INTAKE	1	
4	61431-93J03-0EP	.HANDLE, TILT UP (BLACK)	1	
5	61432-93J01	.LOUVER, TILT UP HANDLE	1	
6	61433-93J01	.COVER, AIR INTK INNER STBD	1	
7	61434-93J01	.COVER, AIR INTK INNER PORT	1	
8	61438-93J00	.TAPE, TILT UP HANDLE (L:250)	1	
9	61438-93J00	.TAPE, TILT UP HANDLE (L:250)	1	L:250->190
10	61438-93J00	.TAPE, TILT UP HANDLE (L:250)	1	L:250->106
11	61439-93J20	.SEAL, TILT UP HANDLE PORT	1	
12	61439-93J40	.SEAL, TILT UP HANDLE RR	1	
13	61476-93J00	.SEAL, AIR VENT	1	
14	03542-05169	.SCREW	8	
15	03542-05169	.SCREW	4	
16	03542-05169	.SCREW	5	
17	03542-05169	.SCREW	4	
18	61610-93J00	.FASTENER	3	
19	61621-93J00	.BRACKET, FASTENER	3	
20	09329-10022	.CUSHION	3	
21	01547-06167	.BOLT	6	
22	01550-06127	.BOLT	3	
23	61443-93J32	.STRIPE, ENGINE COVER STBD	1	
24	61453-93J32	.STRIPE, ENGINE COVER PORT	1	
25	61422-93J52	.MARK, EMBLEM FRONT (200)	1	
26	61435-93J32	.MARK, EMBLEM REAR (200)	1	
27	61446-87L12	.DECAL, EFI	1	
28	68111-96J00	.EMBLEM (S)	1	
29	61458-99E31	LABEL, ENGINE COVER	1	
30	09800-81834	TOOL SET	1	

FIG.186

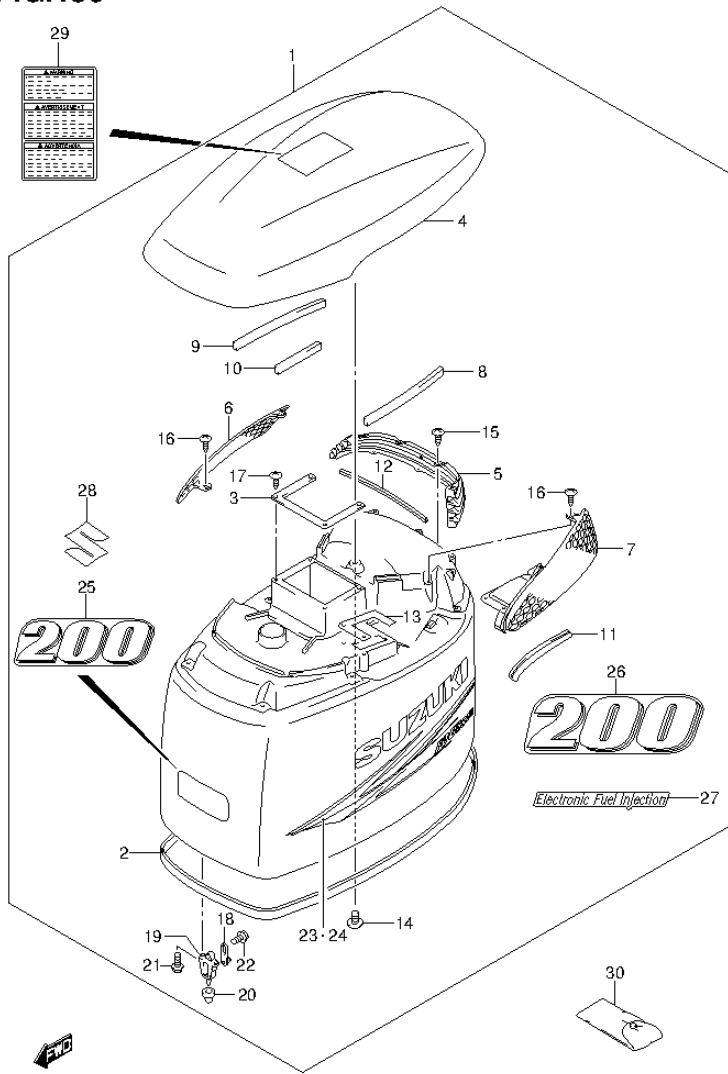


FIG.186 (2-J-6) ENGINE COVER (DF200Z E03)

REF NO.	PART NO.	DESCRIPTION	Q'TY	REMARKS
1	61420-93835-0EP	COVER SET, ENGINE (BLACK)	1	
2	61112-93J20	.RUBBER, ENG COVER	1	
3	61416-93J00	.GUARD, AIR INTAKE	1	
4	61431-93J03-0EP	.HANDLE, TILT UP (BLACK)	1	
5	61432-93J01	.LOUVER, TILT UP HANDLE	1	
6	61433-93J01	.COVER, AIR INTK INNER STBD	1	
7	61434-93J01	.COVER, AIR INTK INNER PORT	1	
8	61438-93J00	.TAPE, TILT UP HANDLE (L:250)	1	
9	61438-93J00	.TAPE, TILT UP HANDLE (L:250)	1	L:250->190
10	61438-93J00	.TAPE, TILT UP HANDLE (L:250)	1	L:250->106
11	61439-93J20	.SEAL, TILT UP HANDLE PORT	1	
12	61439-93J40	.SEAL, TILT UP HANDLE RR	1	
13	61476-93J00	.SEAL, AIR VENT	1	
14	03542-05169	.SCREW	8	
15	03542-05169	.SCREW	4	
16	03542-05169	.SCREW	5	
17	03542-05169	.SCREW	4	
18	61610-93J00	.FASTENER	3	
19	61621-93J00	.BRACKET, FASTENER	3	
20	09329-10022	.CUSHION	3	
21	01547-06167	.BOLT	6	
22	01550-06127	.BOLT	3	
23	61443-93J32	.STRIPE, ENGINE COVER STBD	1	
24	61453-93J32	.STRIPE, ENGINE COVER PORT	1	
25	61422-93J52	.MARK, EMBLEM FRONT (200)	1	
26	61435-93J32	.MARK, EMBLEM REAR (200)	1	
27	61446-87L12	.DECAL, EFI	1	
28	68111-96J00	.EMBLEM (S)	1	
29	61458-99E31	LABEL, ENGINE COVER	1	
30	09800-81834	TOOL SET	1	

FIG.187

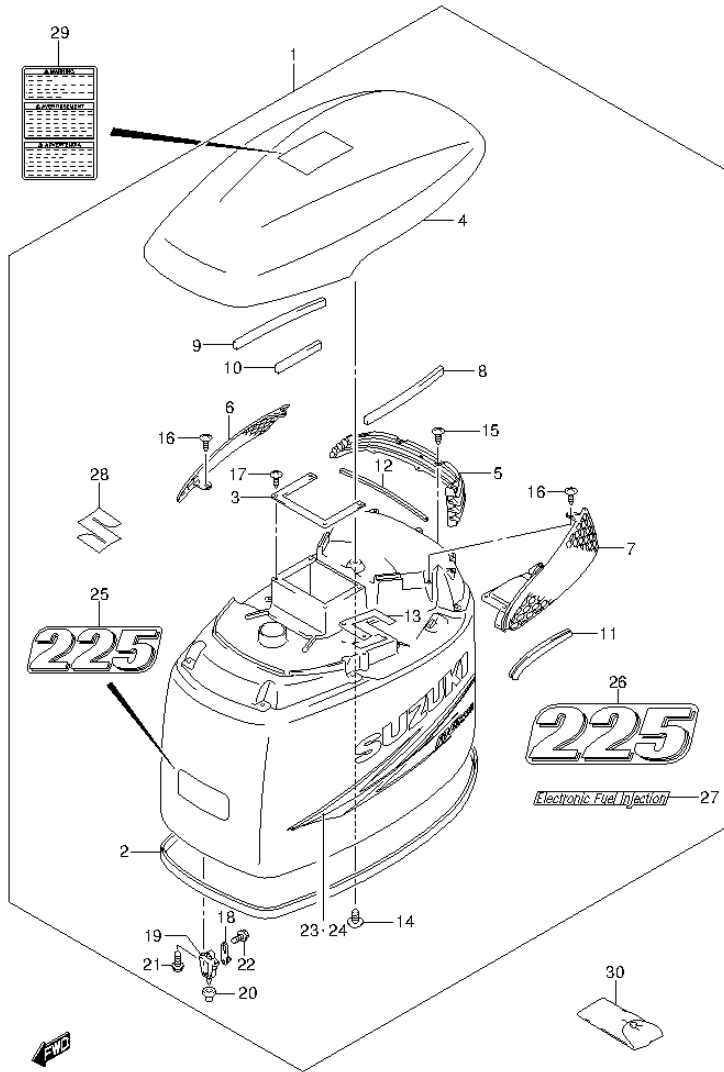


FIG.187 (2-J-7) ENGINE COVER (DF225T E03)

REF NO.	PART NO.	DESCRIPTION	Q'TY	REMARKS
1	61420-93845-0EP	COVER SET, ENGINE (BLACK)	1	
2	61112-93J20	.RUBBER, ENG COVER	1	
3	61416-93J00	.GUARD, AIR INTAKE	1	
4	61431-93J03-0EP	.HANDLE, TILT UP (BLACK)	1	
5	61432-93J01	.LOUVER, TILT UP HANDLE	1	
6	61433-93J01	.COVER, AIR INTK INNER STBD	1	
7	61434-93J01	.COVER, AIR INTK INNER PORT	1	
8	61438-93J00	.TAPE, TILT UP HANDLE (L:250)	1	
9	61438-93J00	.TAPE, TILT UP HANDLE (L:250)	1	L:250->190
10	61438-93J00	.TAPE, TILT UP HANDLE (L:250)	1	L:250->106
11	61439-93J20	.SEAL, TILT UP HANDLE PORT	1	
12	61439-93J40	.SEAL, TILT UP HANDLE RR	1	
13	61476-93J00	.SEAL, AIR VENT	1	
14	03542-05169	.SCREW	8	
15	03542-05169	.SCREW	4	
16	03542-05169	.SCREW	5	
17	03542-05169	.SCREW	4	
18	61610-93J00	.FASTENER	3	
19	61621-93J00	.BRACKET, FASTENER	3	
20	09329-10022	.CUSHION	3	
21	01547-06167	.BOLT	6	
22	01550-06127	.BOLT	3	
23	61443-93J32	.STRIPE, ENGINE COVER STBD	1	
24	61453-93J32	.STRIPE, ENGINE COVER PORT	1	
25	61422-93J62	.MARK, EMBLEM FRONT (225)	1	
26	61435-93J42	.MARK, EMBLEM REAR (225)	1	
27	61446-87L12	.DECAL, EFI	1	
28	68111-96J00	.EMBLEM (S)	1	
29	61458-99E31	LABEL, ENGINE COVER	1	
30	09800-81834	TOOL SET	1	

FIG.188

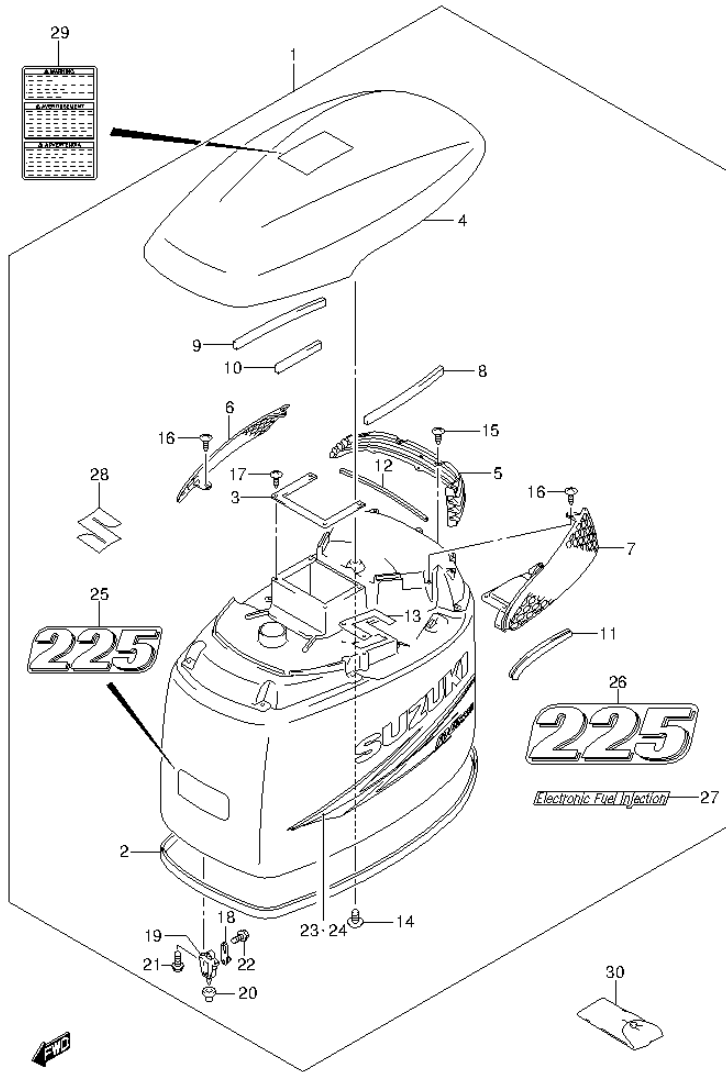


FIG.188 (2-J-8) ENGINE COVER (DF225Z E03)

REF NO.	PART NO.	DESCRIPTION	Q'TY	REMARKS
1	61420-93845-0EP	COVER SET, ENGINE (BLACK)	1	
2	61112-93J20	.RUBBER, ENG COVER	1	
3	61416-93J00	.GUARD, AIR INTAKE	1	
4	61431-93J03-0EP	.HANDLE, TILT UP (BLACK)	1	
5	61432-93J01	.LOUVER, TILT UP HANDLE	1	
6	61433-93J01	.COVER, AIR INTK INNER STBD	1	
7	61434-93J01	.COVER, AIR INTK INNER PORT	1	
8	61438-93J00	.TAPE, TILT UP HANDLE (L:250)	1	
9	61438-93J00	.TAPE, TILT UP HANDLE (L:250)	1	L:250->190
10	61438-93J00	.TAPE, TILT UP HANDLE (L:250)	1	L:250->106
11	61439-93J20	.SEAL, TILT UP HANDLE PORT	1	
12	61439-93J40	.SEAL, TILT UP HANDLE RR	1	
13	61476-93J00	.SEAL, AIR VENT	1	
14	03542-05169	.SCREW	8	
15	03542-05169	.SCREW	4	
16	03542-05169	.SCREW	5	
17	03542-05169	.SCREW	4	
18	61610-93J00	.FASTENER	3	
19	61621-93J00	.BRACKET, FASTENER	3	
20	09329-10022	.CUSHION	3	
21	01547-06167	.BOLT	6	
22	01550-06127	.BOLT	3	
23	61443-93J32	.STRIPE, ENGINE COVER STBD	1	
24	61453-93J32	.STRIPE, ENGINE COVER PORT	1	
25	61422-93J62	.MARK, EMBLEM FRONT (225)	1	
26	61435-93J42	.MARK, EMBLEM REAR (225)	1	
27	61446-87L12	.DECAL, EFI	1	
28	68111-96J00	.EMBLEM (S)	1	
29	61458-99E31	LABEL, ENGINE COVER	1	
30	09800-81834	TOOL SET	1	

FIG.189

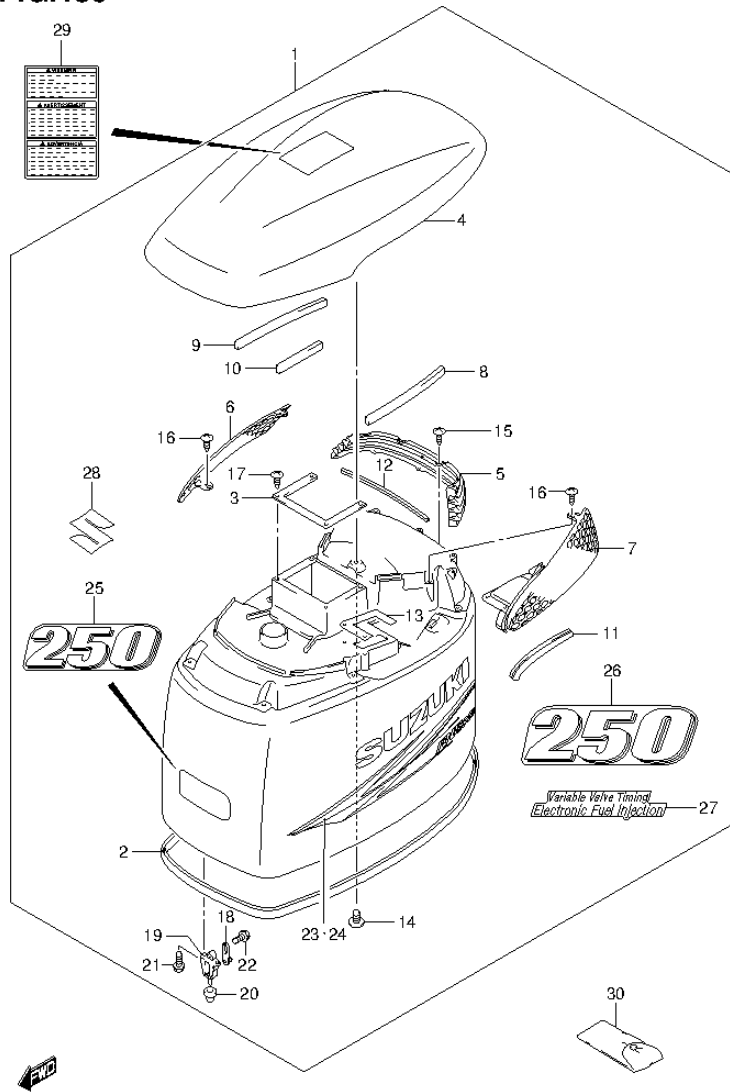


FIG.189 (2-J-9) ENGINE COVER (DF250T E03)

REF NO.	PART NO.	DESCRIPTION	Q'TY	REMARKS
1	61420-93854-0EP	COVER SET, ENGINE (BLACK)	1	
2	61112-93J20	.RUBBER, ENG COVER	1	
3	61416-93J00	.GUARD, AIR INTAKE	1	
4	61431-93J03-0EP	.HANDLE, TILT UP (BLACK)	1	
5	61432-93J01	.LOUVER, TILT UP HANDLE	1	
6	61433-93J01	.COVER, AIR INTK INNER STBD	1	
7	61434-93J01	.COVER, AIR INTK INNER PORT	1	
8	61438-93J00	.TAPE, TILT UP HANDLE (L:250)	1	
9	61438-93J00	.TAPE, TILT UP HANDLE (L:250)	1	L:250->190
10	61438-93J00	.TAPE, TILT UP HANDLE (L:250)	1	L:250->106
11	61439-93J20	.SEAL, TILT UP HANDLE PORT	1	
12	61439-93J40	.SEAL, TILT UP HANDLE RR	1	
13	61476-93J00	.SEAL, AIR VENT	1	
14	03542-05169	.SCREW	8	
15	03542-05169	.SCREW	4	
16	03542-05169	.SCREW	5	
17	03542-05169	.SCREW	4	
18	61610-93J00	.FASTENER	3	
19	61621-93J00	.BRACKET, FASTENER	3	
20	09329-10022	.CUSHION	3	
21	01547-06167	.BOLT	6	
22	01550-06127	.BOLT	3	
23	61443-93J32	.STRIPE, ENGINE COVER STBD	1	
24	61453-93J32	.STRIPE, ENGINE COVER PORT	1	
25	61422-93J72	.MARK, EMBLEM FRONT (250)	1	
26	61435-93J52	.MARK, EMBLEM REAR (250)	1	
27	61446-93J32	.DECAL, EFI & VVT	1	
28	68111-96J00	.EMBLEM (S)	1	
29	61458-99E31	LABEL, ENGINE COVER	1	
30	09800-81834	TOOL SET	1	

FIG.190

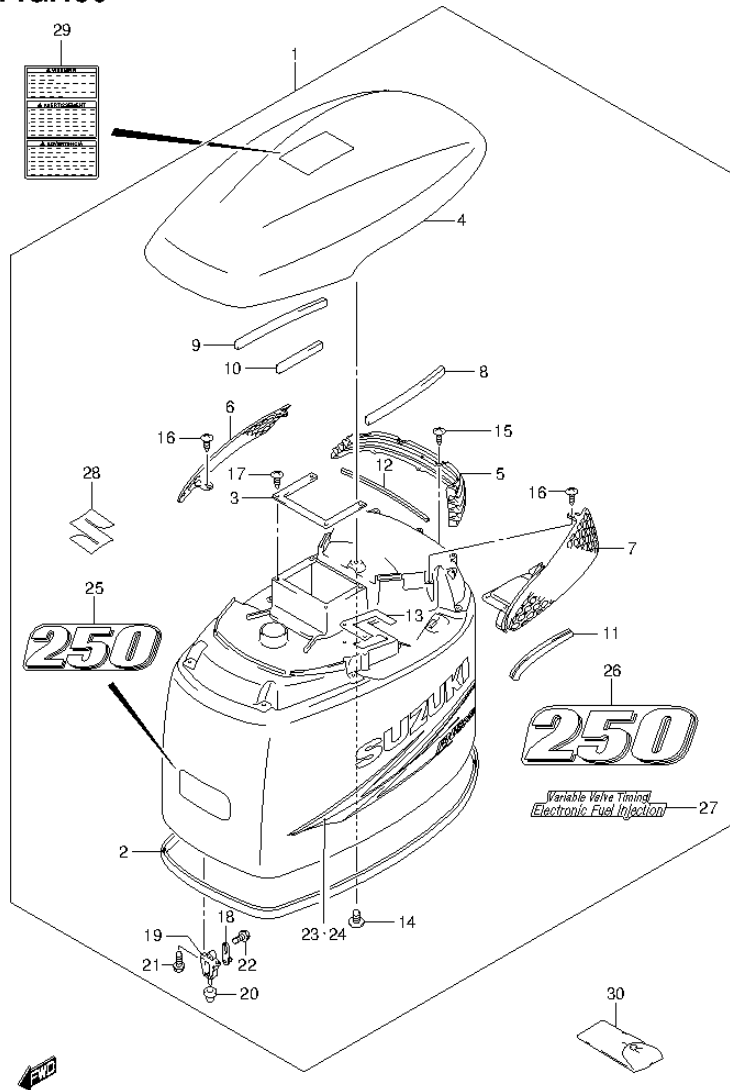


FIG.190 (2-J-10) ENGINE COVER (DF250Z E03)

REF NO.	PART NO.	DESCRIPTION	Q'TY	REMARKS
1	61420-93854-0EP	COVER SET, ENGINE (BLACK)	1	
2	61112-93J20	.RUBBER, ENG COVER	1	
3	61416-93J00	.GUARD, AIR INTAKE	1	
4	61431-93J03-0EP	.HANDLE, TILT UP (BLACK)	1	
5	61432-93J01	.LOUVER, TILT UP HANDLE	1	
6	61433-93J01	.COVER, AIR INTK INNER STBD	1	
7	61434-93J01	.COVER, AIR INTK INNER PORT	1	
8	61438-93J00	.TAPE, TILT UP HANDLE (L:250)	1	
9	61438-93J00	.TAPE, TILT UP HANDLE (L:250)	1	L:250->190
10	61438-93J00	.TAPE, TILT UP HANDLE (L:250)	1	L:250->106
11	61439-93J20	.SEAL, TILT UP HANDLE PORT	1	
12	61439-93J40	.SEAL, TILT UP HANDLE RR	1	
13	61476-93J00	.SEAL, AIR VENT	1	
14	03542-05169	.SCREW	8	
15	03542-05169	.SCREW	4	
16	03542-05169	.SCREW	5	
17	03542-05169	.SCREW	4	
18	61610-93J00	.FASTENER	3	
19	61621-93J00	.BRACKET, FASTENER	3	
20	09329-10022	.CUSHION	3	
21	01547-06167	.BOLT	6	
22	01550-06127	.BOLT	3	
23	61443-93J32	.STRIPE, ENGINE COVER STBD	1	
24	61453-93J32	.STRIPE, ENGINE COVER PORT	1	
25	61422-93J72	.MARK, EMBLEM FRONT (250)	1	
26	61435-93J52	.MARK, EMBLEM REAR (250)	1	
27	61446-93J32	.DECAL, EFI & VVT	1	
28	68111-96J00	.EMBLEM (S)	1	
29	61458-99E31	LABEL, ENGINE COVER	1	
30	09800-81834	TOOL SET	1	

FIG.191

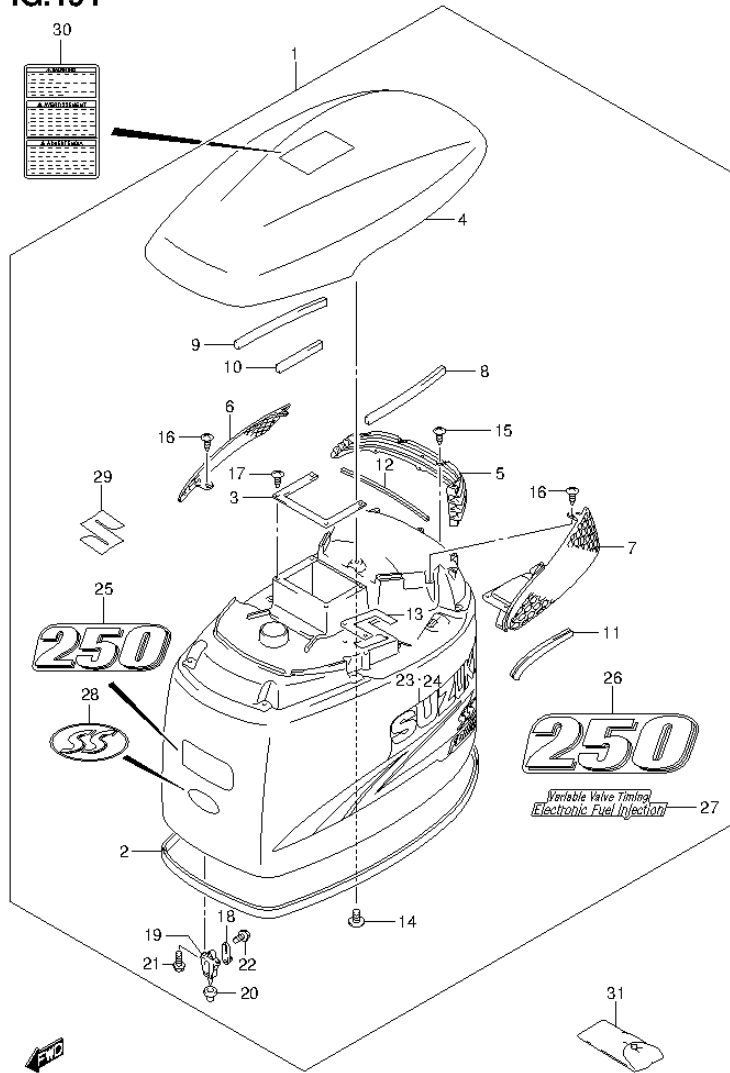


FIG.191 (2-J-11) ENGINE COVER (DF250ST E03)

REF NO.	PART NO.	DESCRIPTION	Q'TY	REMARKS
1	61420-93824-0EP	COVER SET, ENGINE (BLACK)	1	
2	61112-93J20	.RUBBER, ENG COVER	1	
3	61416-93J00	.GUARD, AIR INTAKE	1	
4	61431-93J03-0EP	.HANDLE, TILT UP (BLACK)	1	
5	61432-93J01	.LOUVER, TILT UP HANDLE	1	
6	61433-93J01	.COVER, AIR INTK INNER STBD	1	
7	61434-93J01	.COVER, AIR INTK INNER PORT	1	
8	61438-93J00	.TAPE, TILT UP HANDLE (L:250)	1	
9	61438-93J00	.TAPE, TILT UP HANDLE (L:250)	1	L:250->190
10	61438-93J00	.TAPE, TILT UP HANDLE (L:250)	1	L:250->106
11	61439-93J20	.SEAL, TILT UP HANDLE PORT	1	
12	61439-93J40	.SEAL, TILT UP HANDLE RR	1	
13	61476-93J00	.SEAL, AIR VENT	1	
14	03542-05169	.SCREW	8	
15	03542-05169	.SCREW	4	
16	03542-05169	.SCREW	5	
17	03542-05169	.SCREW	4	
18	61610-93J00	.FASTENER	3	
19	61621-93J00	.BRACKET, FASTENER	3	
20	09329-10022	.CUSHION	3	
21	01547-06167	.BOLT	6	
22	01550-06127	.BOLT	3	
23	61443-93J20	.STRIPE, ENGINE COVER STBD	1	
24	61453-93J20	.STRIPE, ENGINE COVER PORT	1	
25	61422-93J72	.MARK, EMBLEM FRONT (250)	1	
26	61435-93J52	.MARK, EMBLEM REAR (250)	1	
27	61446-93J32	.DECAL, EFI & VVT	1	
28	61424-93J00	.MARK, EMBLEM (SS)	1	
29	68111-96J00	.EMBLEM (S)	1	
30	61458-99E31	LABEL, ENGINE COVER	1	
31	09800-81834	TOOL SET	1	

FIG.192

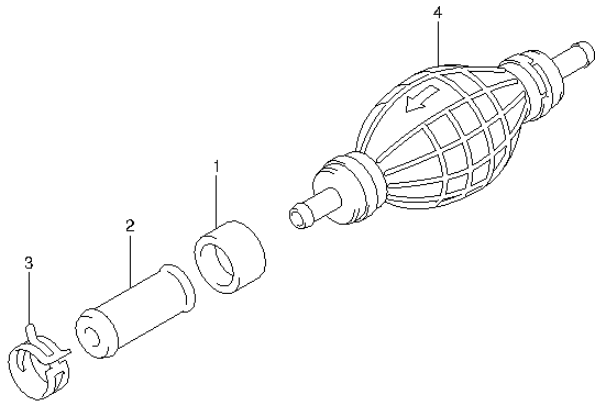


FIG.192 (2-J-12) FUEL HOSE

REF NO.	PART NO.	DESCRIPTION	Q'TY	REMARKS
1	09251-09002	CAP	1	
2	09367-10001	JOINT	1	
3	09401-13423	CLIP	1	
4	65770-93J02	PUMP, SQUEEZE	1	

FIG.193

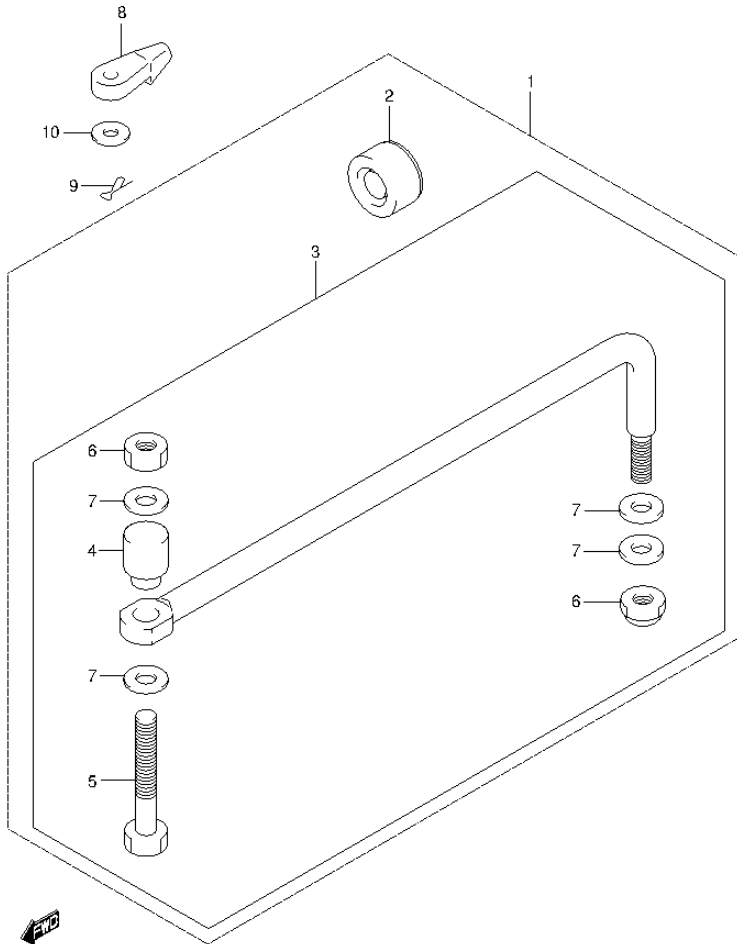


FIG.193 (2-J-13) DRAG LINK

REF NO.	PART NO.	DESCRIPTION	Q'TY	REMARKS
1	67700-93J00	LINK SET, DRAG	1	OPT
2	41161-94400	..SEAL, STEERING CABLE	1	OPT
3	67701-87J11	..LINK ASSY, DRAG	1	OPT
4	67721-87J00	..SPACER	1	OPT
5	67725-99E00	..BOLT, DRAG LINK	1	OPT
6	67726-99E00	..NUT	2	OPT
7	67728-99E00	..WASHER	4	OPT
8	67467-89J01	CONNECTOR, REMOCON CABLE	2	
9	09385-06012	CLIP	2	
10	09160-06055	WASHER (7X12X1)	2	

FIG.194

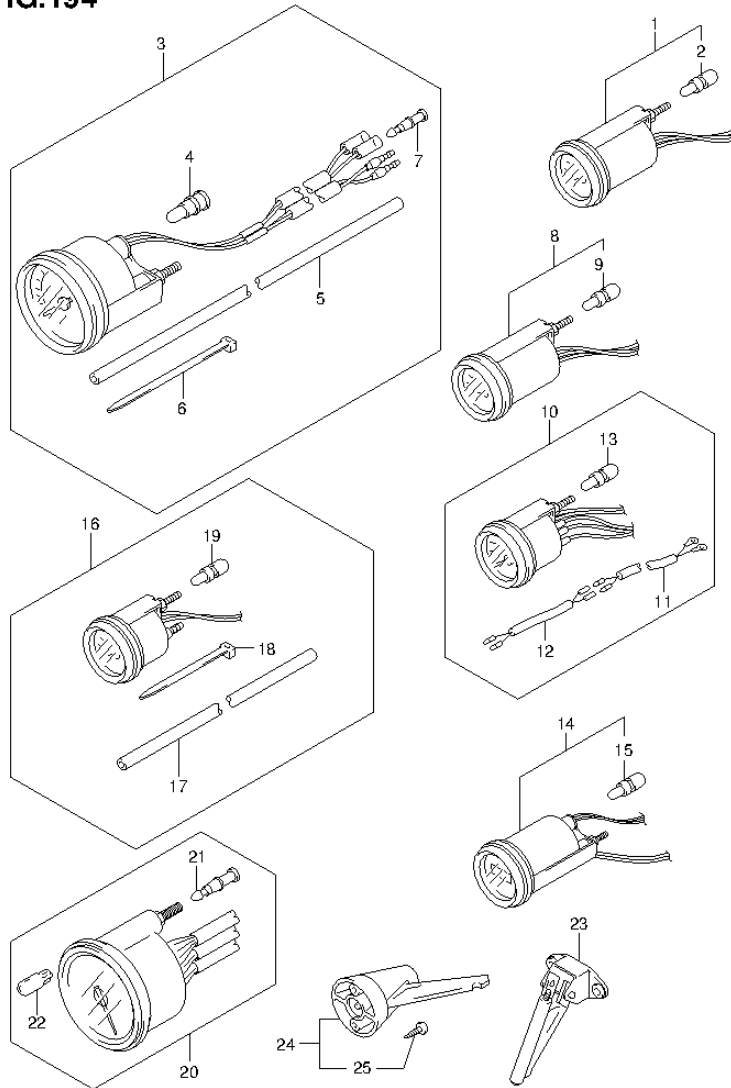


FIG.194 (2-J-14) OPT:METER

REF NO.	PART NO.	DESCRIPTION	Q'TY	REMARKS
1-1	34800-93J00	METER ASSY, TRIM	1	BLACK
1-2	34800-93J11	METER ASSY, TRIM	1	WHITE
2	09471-12103	.BULB (12V, 3.4W)	1	
3-1	34100-93J00	SPEEDOMETER ASSY	1	MAX 130KM/H BLACK
3-2	34100-93J11	SPEEDOMETER ASSY	1	MAX 130KM/H WHITE
3-3	34100-93J20	SPEEDOMETER ASSY	1	MAX 80KM/H BLACK
3-4	34100-93J31	SPEEDOMETER ASSY	1	MAX 80KM/H WHITE
3-5	34100-93J40	SPEEDOMETER ASSY	1	MAX 45KNOTS BLACK
3-6	34100-93J51	SPEEDOMETER ASSY	1	MAX 45KNOTS WHITE
3-7	34100-93J60	SPEEDOMETER ASSY	1	MAX 65KNOTS WHITE
4	09471-12028	.BULB (12V, 3.4W)	1	
5	34191-92E00	.TUBE	1	
6	09407-14407	.CLAMP (L:145)	2	
7	36615-96300	.TERMINAL, RESIN	2	
8-1	34600-93J00	METER ASSY, VOLTAGE	1	BLACK
8-2	34600-93J11	METER ASSY, VOLTAGE	1	WHITE
9	09471-12103	.BULB (12V, 3.4W)	1	
10-1	34300-93J00	GAUGE ASSY, FUEL	1	BLACK
10-2	34300-93J11	GAUGE ASSY, FUEL	1	WHITE
11	34310-92E00	.LEAD, FUEL GAUGE	1	
12	34360-92E00	.ADAPTER, FUEL GAUGE	1	
13	09471-12103	.BULB (12V, 3.4W)	1	
14-1	34500-93J00	METER ASSY, HOUR	1	BLACK
14-2	34500-93J11	METER ASSY, HOUR	1	WHITE
15	09471-12103	.BULB (12V, 3.4W)	1	
16-1	34650-93J20	GAUGE ASSY, WATER PRESSURE	1	15PSI BLACK
16-2	34650-93J31	GAUGE ASSY, WATER PRESSURE	1	15PSI WHITE
17	34191-92E00	.TUBE	1	
18	09407-14407	.CLAMP (L:145)	2	
19	09471-12103	.BULB (12V, 3.4W)	1	
20-1	34200-93J00	TACHOMETER ASSY, WITH MONITOR	1	BLACK
20-2	34200-93J11	TACHOMETER ASSY, WITH MONITOR	1	WHITE
21	36615-96300	.TERMINAL, RESIN	4	
22	09471-12077	.BULB (12V, 1.7W)	1	

FIG.194

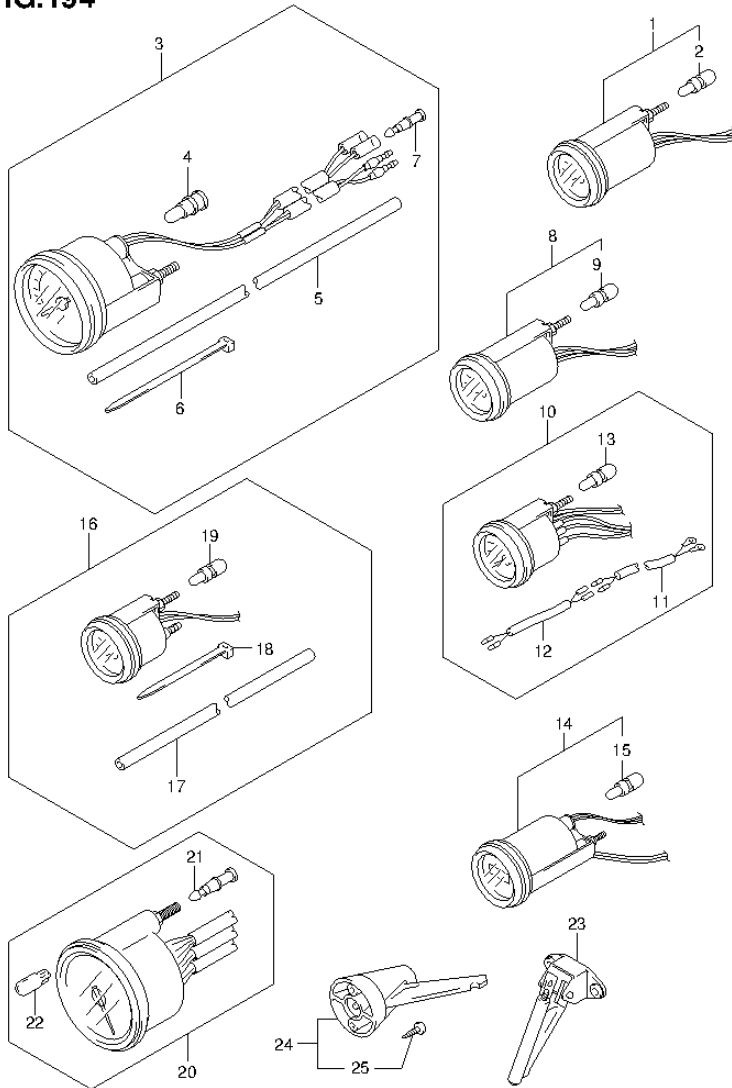


FIG.194 (2-J-15) OPT:METER

REF NO.	PART NO.	DESCRIPTION	Q'TY	REMARKS
23	34190-87D00	SENDER ASSY, SPEEDOMETER	1	
24	34190-95500	SENDER ASSY, SPEEDOMETER	1	
25	03112-06303	.SCREW	2	

FIG.195

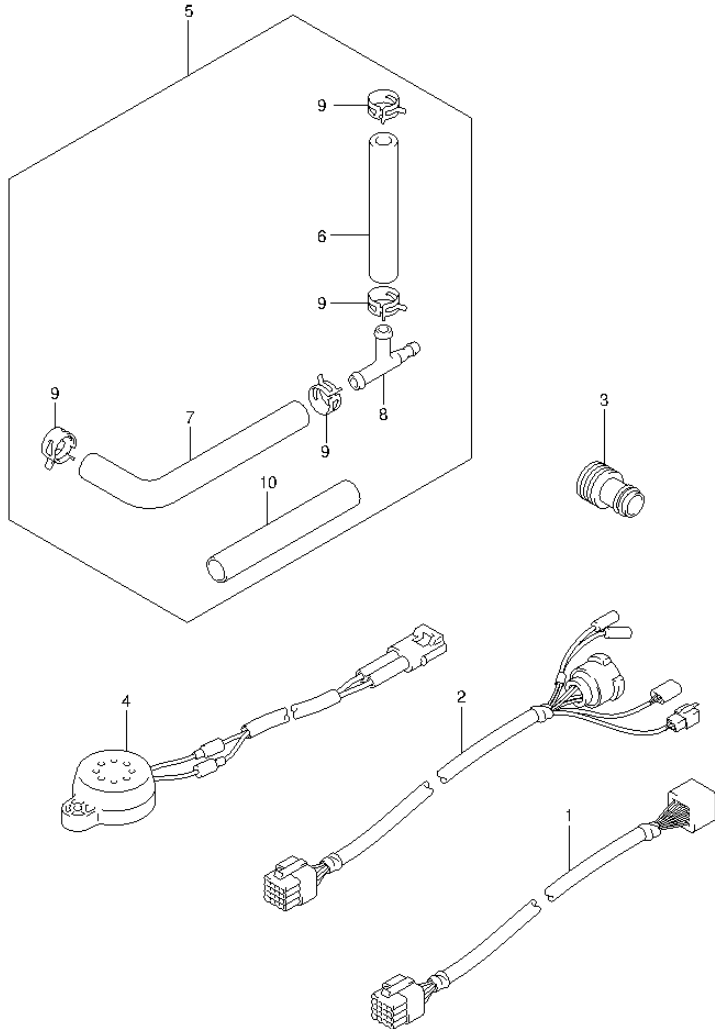


FIG.195 (2-K-2) OPT:HARNESS

REF NO.	PART NO.	DESCRIPTION	Q'TY	REMARKS
1-1	36620-93J10	WIRE ASSY, REMOCON EXTENSION	1	L:2000
1-2	36620-93J40	WIRE ASSY, REMOCON EXTENSION	1	L:3000
2	36620-93J30	WIRE ASSY, REMOCON ADAPTER NO.2	1	
3	17917-87L00	CONNECTOR, FLUSH WATER	1	
4	38500-93J00	BUZZER ASSY, WARNING	1	
5	34660-93J00	KIT, WATER PRESS GAUGE	1	
6	09352-50903-600	.HOSE (5X9X600)	1	L:600->110
7	09352-50903-00B	.HOSE (5X9X2000)	1	L:2000->750
8	09367-06006	.3 WAY	1	
9	09401-08413	.CLIP	4	
10	18498-87JC0	.PROTECTOR	1	L:450->390

FIG.196

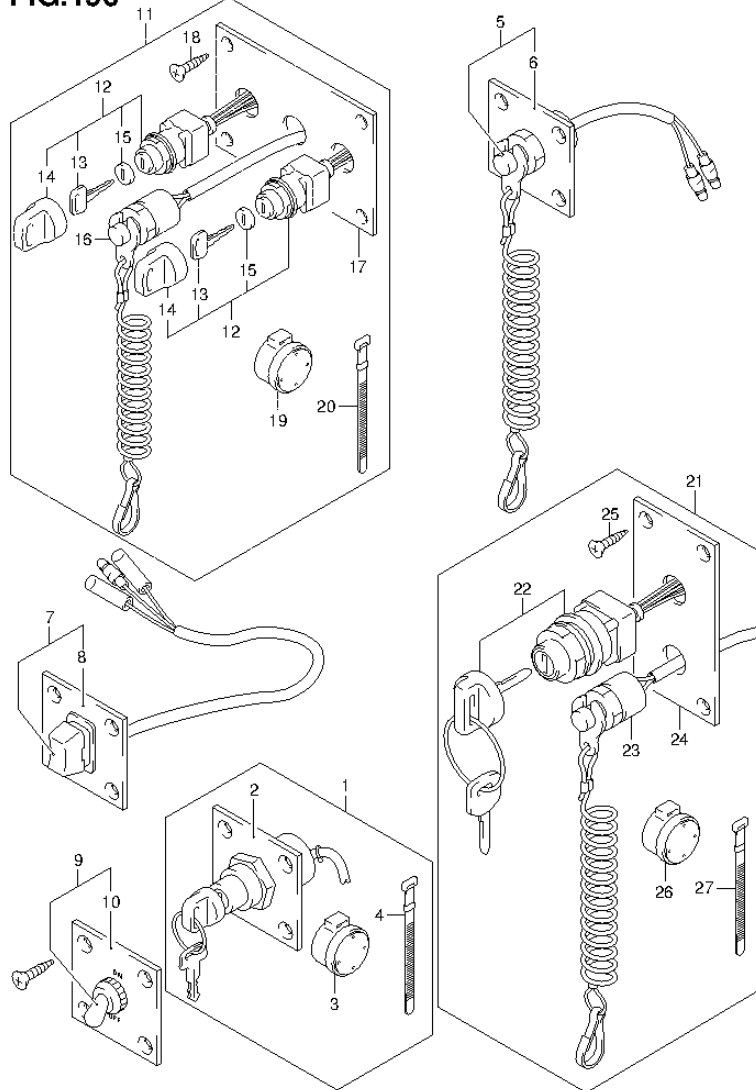


FIG.196 (2-K-3) OPT:SWITCH

REF NO.	PART NO.	DESCRIPTION	Q'TY	REMARKS
1	37100-96J00	PANEL ASSY, IGNITION SW	1	
2	37139-99E00	.PANEL, IGNITION SW	1	
3	38500-93J90	.BUZZER ASSY, WARNING	1	
4	09407-08401	.CLAMP (L:80)	1	
5	37803-93J03	PANEL ASSY, EMERGENCY SW	1	
6	37825-99E00	.PANEL, EMERGENCY SW	1	
7	37805-93J00	PANEL ASSY, PTT SW	1	
8	37855-99E00	.PANEL, PTT SW	1	
9	37210-93J00	PANEL ASSY, LIGHTING SW	1	
10	37212-93J00	.PANEL, LIGHTING SW	1	
11	37100-96J13	PANEL ASSY, DUAL ENGINE SW	1	
12	37110-93J01	.SWITCH ASSY, IGNITION	2	
13-1	37141-99E00	..KEY (931)	4	
13-2	37141-99E10	..KEY (932)	4	
13-3	37141-99E20	..KEY (933)	4	
13-4	37141-99E30	..KEY (934)	4	
13-5	37141-99E40	..KEY (935)	4	
13-6	37141-99E50	..KEY (936)	4	
13-7	37141-99E60	..KEY (937)	4	
13-8	37141-99E70	..KEY (938)	4	
13-9	37141-99E80	..KEY (939)	4	
13-10	37141-99E90	..KEY (940)	4	
13-11	37141-99EA0	..KEY (941)	4	
13-12	37141-99EB0	..KEY (942)	4	
14	37143-99E00	..CAP, KEY	2	
15	37149-93J00	..CAP CYLINDER BODY	2	
16	37820-93J93	.SWITCH ASSY, EMERGENCY	1	
17	37139-99E10	.PANEL	1	
18	03121-0516A	.SCREW	4	
19	38500-93J90	.BUZZER ASSY, WARNING	1	
20	09407-08401	.CLAMP (L:80)	1	
21	37100-96J23	PANEL ASSY, ENGINE SW	1	
22	37110-93J01	.SWITCH ASSY, IGNITION	1	
23	37820-93J03	.SWITCH ASSY, EMERGENCY	1	

FIG.196

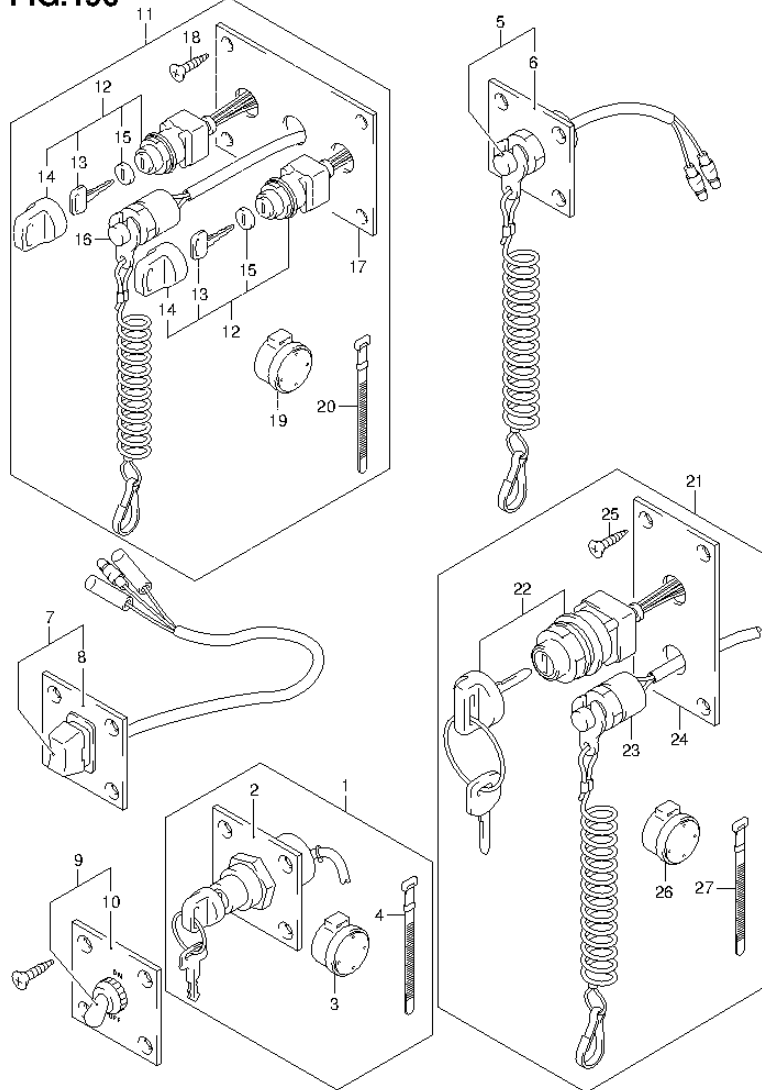


FIG.196 (2-K-4) OPT:SWITCH

REF NO.	PART NO.	DESCRIPTION	Q'TY	REMARKS
24	37139-99E20	.PANEL	1	
25	03121-0516A	.SCREW	4	
26	38500-93J90	.BUZZER ASSY, WARNING	1	
27	09407-08401	.CLAMP (L:80)	1	

FIG.197

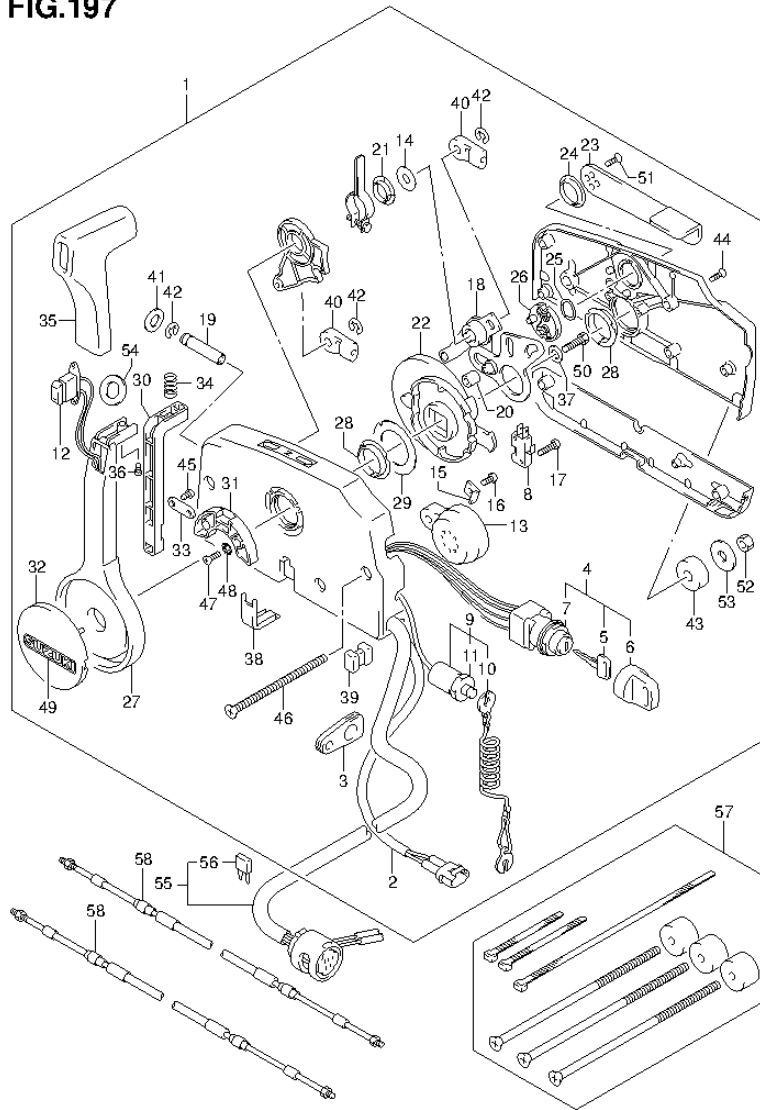
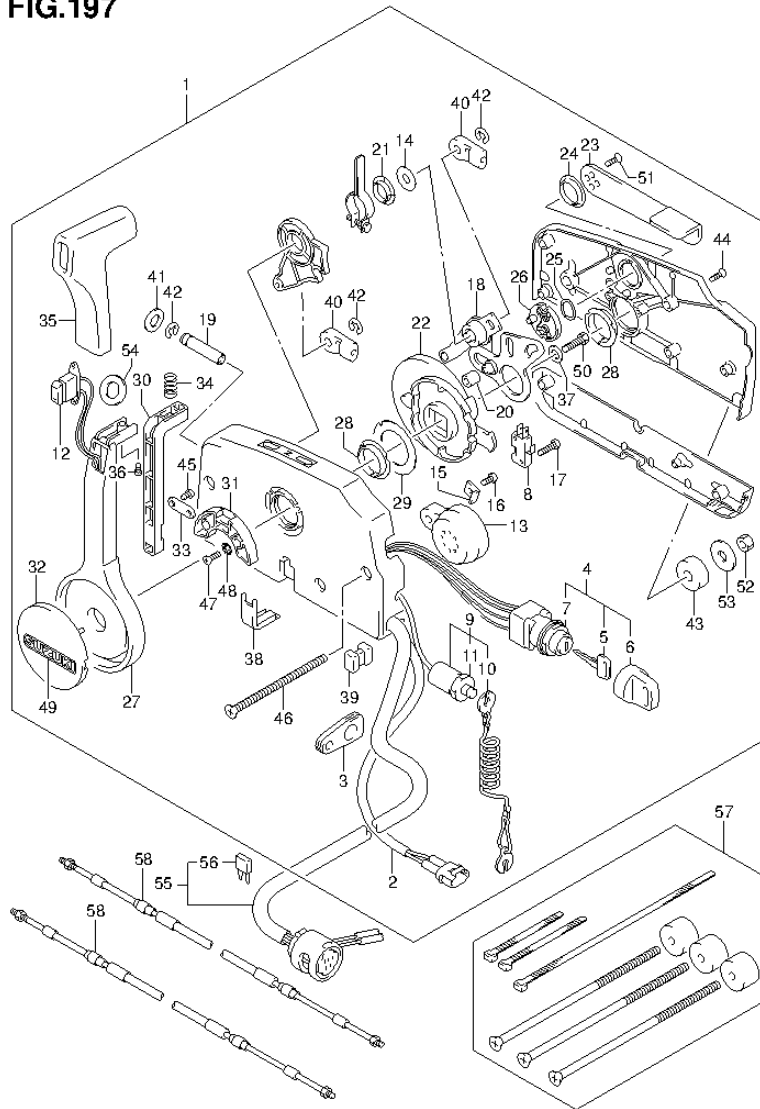


FIG.197 (2-K-5) OPT:REMOTE CONTROL

REF NO.	PART NO.	DESCRIPTION	Q'TY	REMARKS
1	67200-93J06	REMOTE CONTROL ASSY	1	
2	36646-93J01	..WIRE ASSY, PTT SW ADAPTER	1	
3	36628-92E00	..GROMMET, WIRE HARNESS	1	
4	37110-93J11	..SWITCH ASSY, IGNITION	1	
5-1	37141-99E00	..KEY (931)	2	
5-2	37141-99E10	..KEY (932)	2	
5-3	37141-99E20	..KEY (933)	2	
5-4	37141-99E30	..KEY (934)	2	
5-5	37141-99E40	..KEY (935)	2	
5-6	37141-99E50	..KEY (936)	2	
5-7	37141-99E60	..KEY (937)	2	
5-8	37141-99E70	..KEY (938)	2	
5-9	37141-99E80	..KEY (939)	2	
5-10	37141-99E90	..KEY (940)	2	
5-11	37141-99EA0	..KEY (941)	2	
5-12	37141-99EB0	..KEY (942)	2	
6	37143-99E00	..CAP, KEY	2	
7	37149-93J00	..CAP CYLINDER BODY	1	
8	37721-93J91	..SWITCH, NEUTRAL	1	
9	37820-93J03	..SWITCH ASSY, EMERGENCY	1	
10	..PLATE	1		
11	37826-92E00	..NUT	1	
12	37850-90J05	..SWITCH ASSY, PTT	1	
13	38500-93J90	..BUZZER	1	
14	67212-95600	..WASHER	1	
15	67213-92E00	..BRACKET, BUZZER	1	
16	09125-05042	..SCREW (5X10)	1	
17	67296-92E11	..SCREW, NEUTRAL SW	2	
18	67220-95630	..PLATE ASSY	1	
19	67223-99E10	..KNOB, BRAKE ADJ	1	
20	67229-95600	..ROLLER	1	
21	67232-95600	..BUSH	1	
22	67238-87D00	..GEAR, DRIVE	1	
23	67241-99E10	..LEVER, FREE THROTTLE	1	

FIG.197



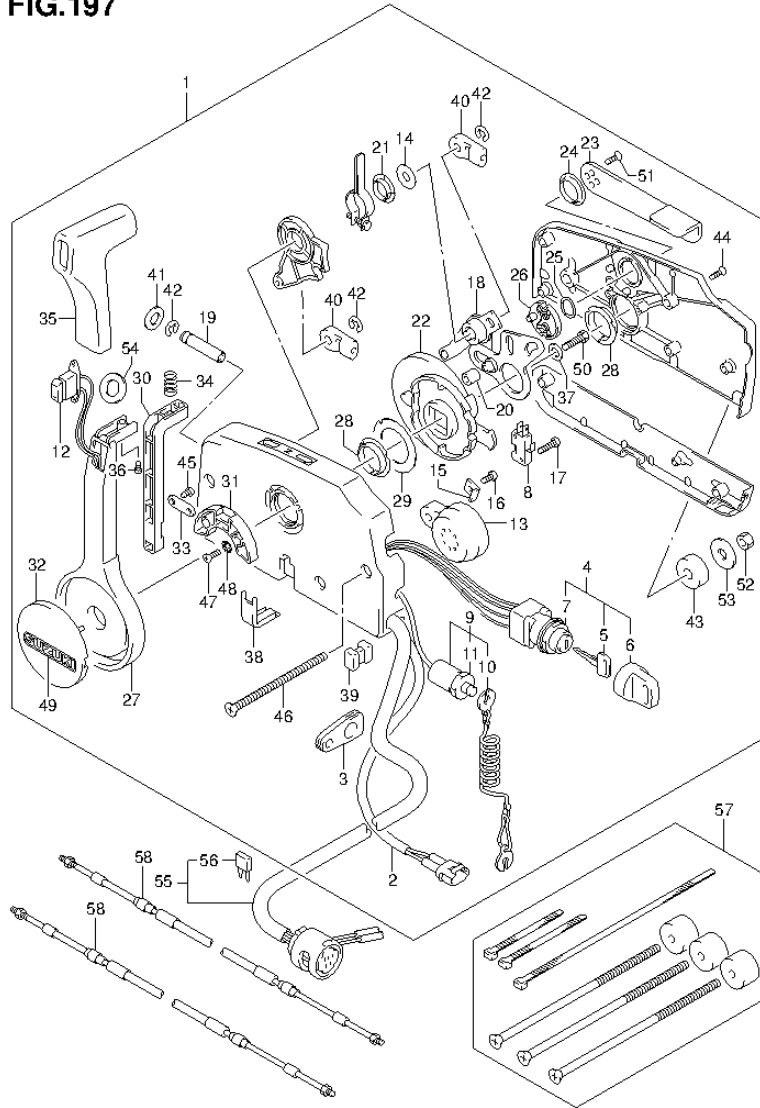
DF250 E03 012_197
OPT:REMOTE CONTROL

FIG.197 (2-K-6) OPT:REMOTE CONTROL

REF NO.	PART NO.	DESCRIPTION	Q'TY	REMARKS
24	67243-95600	.BUSH	1	
25	67244-95600	.WASHER, WAVE	1	
26	67245-95600	.DRUM, FREE THROTTLE	1	
27	67251-99E10	.LEVER, HANDLE	1	
28	67252-95600	.BUSH	2	
29	67253-95600	.WASHER	1	
30	67255-99E00	.ARM, LOCK	1	
31	67256-95600	.HOLDER, NEUT LOCK	1	
32	67257-99E00	.CAP, LEVER	1	
33	67258-99E00	.BRACKET, LOCK ARM	1	
34	67259-87D00	.SPRING, NEUTRAL ARM	1	
35	67261-99E00	.GRIP	1	
36	67296-94310	.SCREW	1	
37	67264-95600	.WASHER	1	
38	67267-93J00	.COVER, WIRE	1	
39	67273-95600	.SPACER	1	
40	67275-95600	.END, CABLE	2	
41	67288-92E00	.WASHER, BRAKE ADJ KNOB	1	
42	67292-94300	E RING	3	
43	67294-95600	.SPACER	3	
44	67296-90J00	.SCREW	5	
45	67296-94300	.SCREW	2	
46	67296-95600	.SCREW	3	
47	67296-95610	.SCREW	2	
48	67297-95600	.WASHER	2	
49	68165-16B00-13L	.EMBLEM (SILVER)	1	
50	09100-08232	.BOLT (8X30)	1	
51	09126-05003	.SCREW (5X12)	2	
52	09140-06020	.NUT	3	
53	09160-06104	.WASHER (6.5X24X2)	3	
54	37859-90J00	.SPACER	1	
55-1	36620-93J02	WIRE ASSY, REMOTE CONTROL	1	L:5000
55-2	36620-93J52	WIRE ASSY, REMOTE CONTROL	1	L:3500
55-3	36620-93J62	WIRE ASSY, REMOTE CONTROL	1	L:6500

DF250 E03 012

FIG.197



DF250 E03 012_197
OPT:REMOTE CONTROL

FIG.197 (2-K-7) OPT:REMOTE CONTROL

REF NO.	PART NO.	DESCRIPTION	Q'TY	REMARKS
56	09481-10501	.FUSE (10A)	1	
57	67140-95600	ATTACHMENT, TWIN REMOCON KIT	1	
58-1	67320-93J00	CABLE, REMOCON 8F (2.4M)	2	
58-2	67320-93J10	CABLE, REMOCON 10F (3.1M)	2	
58-3	67320-93J20	CABLE, REMOCON 12F (3.7M)	2	
58-4	67320-93J30	CABLE, REMOCON 14F (4.2M)	2	
58-5	67320-93J40	CABLE, REMOCON 16F (4.8M)	2	
58-6	67320-93J50	CABLE, REMOCON 18F (5.4M)	2	
58-7	67320-93J60	CABLE, REMOCON 20F (6.0M)	2	
58-8	67320-93J70	CABLE, REMOCON 22F (6.7M)	2	
58-9	67320-93J80	CABLE, REMOCON 24F (7.3M)	2	

DF250 E03 012

FIG.198

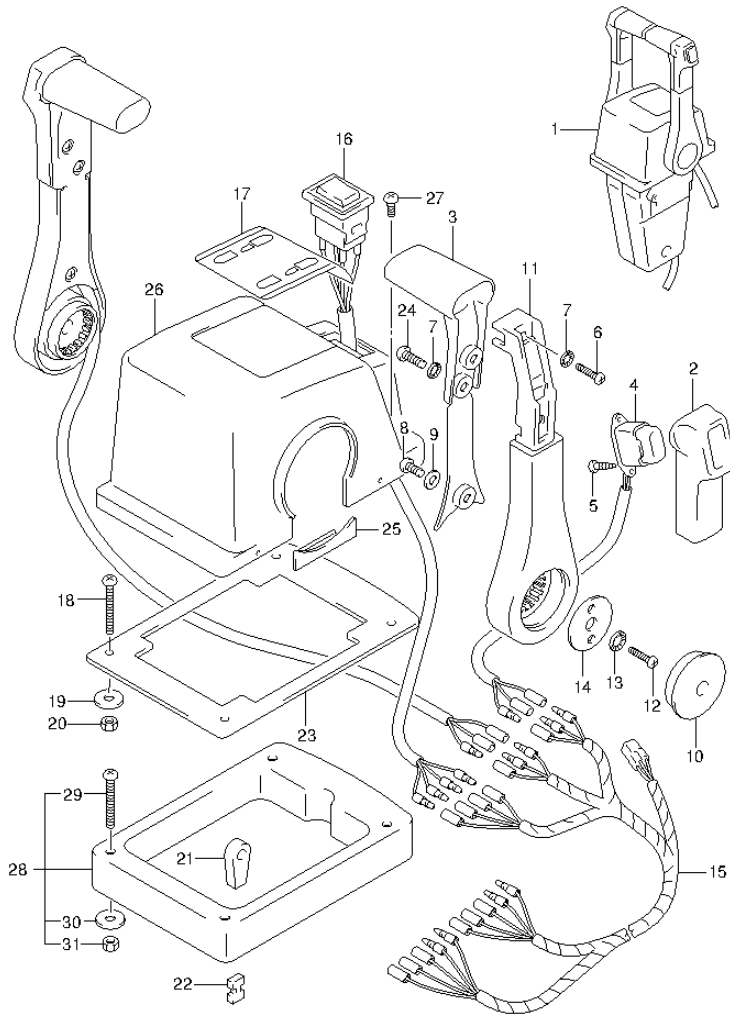


FIG.198 (2-K-8) OPT:REMOTE CONTROL ASSY DUAL (1)

REF NO.	PART NO.	DESCRIPTION	Q'TY	REMARKS
1	67200-93J23	REMOTE CONTROL ASSY	1	
2	67261-93J00	.GRIP, NO.1	2	
3	67263-93J00	.GRIP, NO.2	2	
4	37850-93J10	.SWITCH ASSY, PTT	2	
5	67295-92E10	.SCREW	4	
6	67296-88D10	.SCREW	2	
7	67288-92E20	.WASHER	6	
8	67296-92E70	.SCREW	2	
9	67288-92E40	.WASHER	2	
10	67257-92E00	.CAP, LEVER	2	
11	67251-93J00	.LEVER, HANDLE	2	
12	67296-92E60	.SCREW	4	
13	67288-92E30	.WASHER	4	
14	67253-92E00	.WASHER	2	
15	36890-93J10	.WIRE HARNESS	1	
16	37220-92E00	.SWITCH ASSY, MODE CHANGING	1	
17	67282-93J00	.DECAL	1	
18	67296-92E30	.SCREW	4	
19	09160-05024	.WASHER (5.5X16X1.5)	4	
20	67287-92E00	.NUT	4	
21	67275-95600	.END, CABLE	4	
22	67273-95600	.SPACER	2	
23	67273-92E10	.GROMMET	1	
24	67295-92E00	.SCREW	4	
25	67271-92E00	.COVER	2	
26	67211-93J10	.COVER	1	
27	67296-92E70	.SCREW	2	
28	67500-93J10	KIT, REMOCON SPACER TWIN	1	
29	09125-05135	.SCREW (5X65)	4	
30	09160-05029	.WASHER (5.5X12X0.8)	4	
31	09140-05005	.NUT	4	

FIG.199

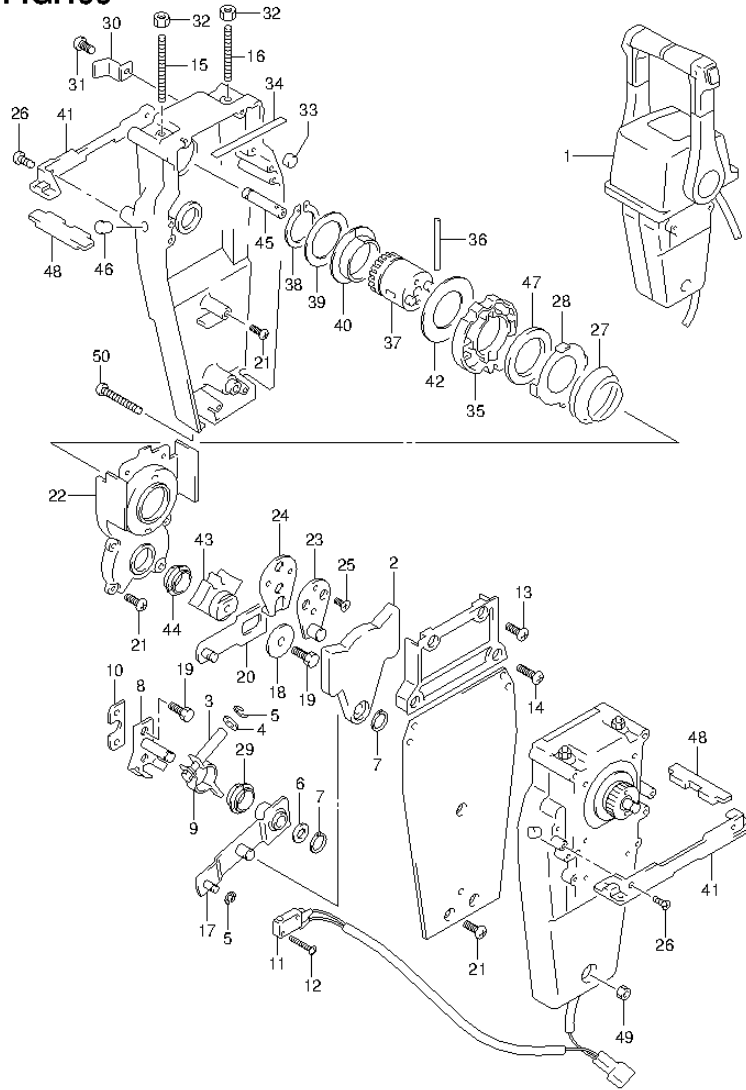


FIG.199 (2-K-9) OPT:REMOTE CONTROL ASSY DUAL (2)

REF NO.	PART NO.	DESCRIPTION	Q'TY	REMARKS
1	67200-93J23	REMOTE CONTROL ASSY	1	
2	67222-92E00	.DUAL PLATE	2	
3	67223-92E00	.BRAKE ADJUST	2	
4	67288-92E00	.WASHER	2	
5	67292-94300	.E RING	8	
6	67288-92E10	.WASHER	2	
7	67291-92E00	.SNAP RING	4	
8	67221-92E00	.SHIFT ASSY	2	
9	67224-92E00	.BRAKE ARM ASSY	2	
10	67294-92E00	.SPACER	2	
11	37721-92E10	.SWITCH ASSY, N/R	1	
12	67296-92E11	.SCREW	4	
13	67296-88D10	.SCREW	4	
14	67296-92E20	.SCREW	4	
15	67226-92E00	.BOLT, STOPPER FRONT	2	
16	67226-92E10	.BOLT, STOPPER RR	2	
17	67240-92E00	.ARM ASSY, THROTTLE	2	
18	67228-92E00	.WASHER	2	
19	67286-92E00	.BOLT	6	
20	67230-92E00	.ARM ASSY, SHIFT	2	
21	09125-05042	.SCREW (5X10)	16	
22	67234-92E00	.CASE, GEAR	2	
23	67245-92E00	.LEVER ASSY, THROTTLE	2	
24	67227-92E00	.STOPPER	2	
25	09126-06006	.SCREW (6X20)	4	
26	67296-95610	.SCREW	4	
27	67233-92E00	.SPRING	2	
28	67235-92E00	.PLATE, SHIFT LOCK	2	
29	67232-95620	.BUSH	2	
30	67269-92E00	.BRACKET	2	
31	67296-88D10	.SCREW	2	
32	09140-06020	.NUT	4	
33	67236-92E00	.ROLLER	2	
34	67237-92E01	.SPRING	12	

FIG.199

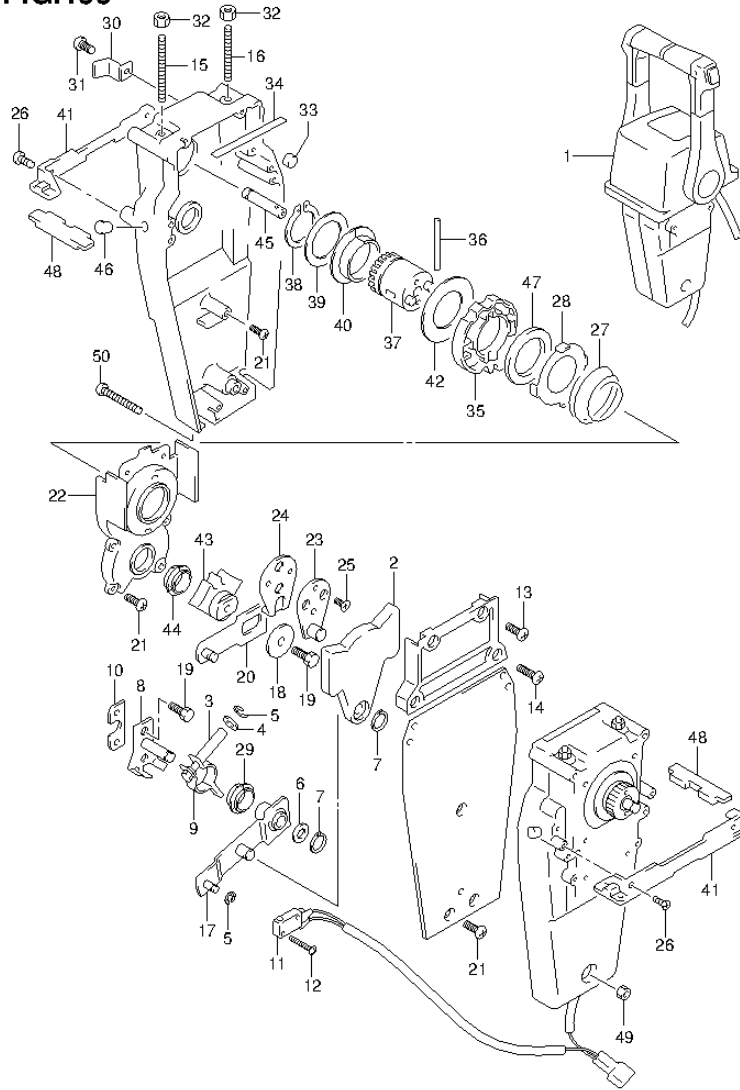


FIG.199 (2-K-10) OPT:REMOTE CONTROL ASSY DUAL (2)

REF NO.	PART NO.	DESCRIPTION	Q'TY	REMARKS
35	67238-92E00	.GEAR, DRIVE	2	
36	67239-92E00	.PIN	2	
37	67246-92E00	.SHAFT, DRIVE	2	
38	67291-92E10	.SNAP RING	2	
39	67253-92E10	.WASHER	2	
40	67252-92E10	.BUSH	2	
41	67274-92E00	.FLANGE	2	
42	67253-95600	.WASHER	2	
43	67231-92E00	.GEAR, SHIFT	2	
44	67232-95600	.BUSH	2	
45	67241-92E10	.ROD, FREE ACC	2	
46	67243-92E00	.GROMMET	2	
47	67239-92E10	.PLATE, SHIFT PIN	2	
48	67272-92E10	.SEAL, FLANGE	2	
49	67287-92E10	.NUT	1	
50	67296-92E80	.SCREW	3	

FIG.200

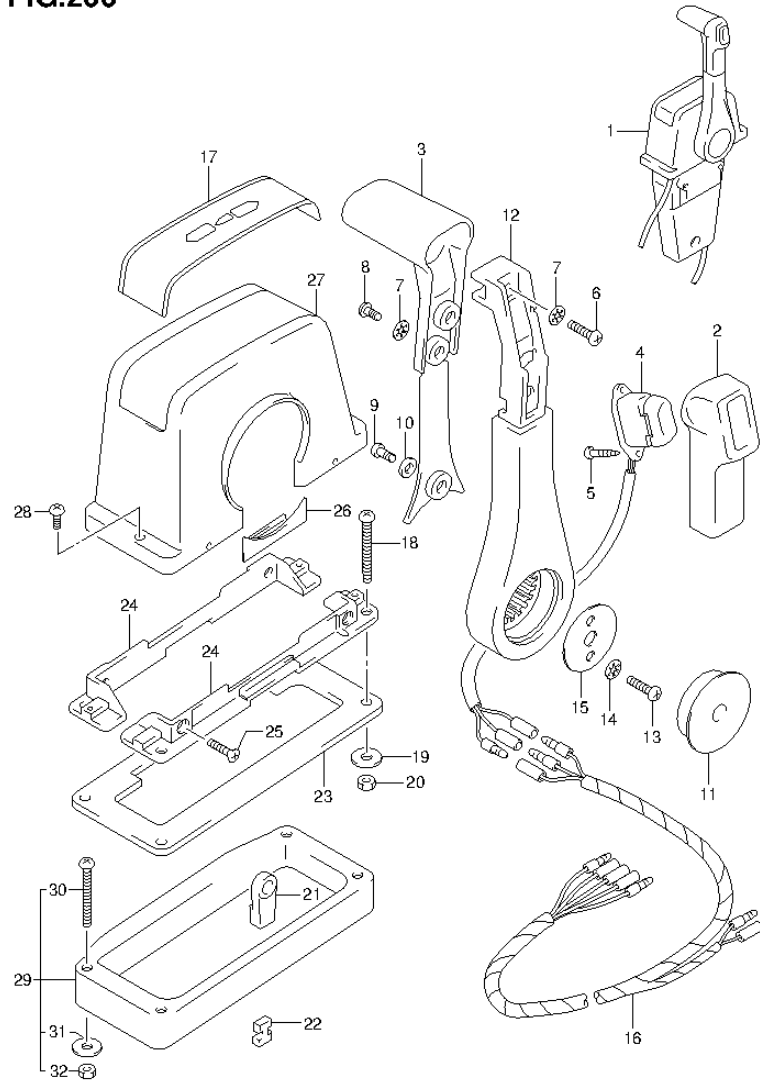


FIG.200 (2-K-11) OPT:REMOTE CONTROL ASSY SINGLE (1)

REF NO.	PART NO.	DESCRIPTION	Q'TY	REMARKS
1	67200-93J13	REMOTE CONTROL ASSY	1	
2	67261-93J00	.GRIP, NO.1	1	
3	67263-93J00	.GRIP, NO.2	1	
4	37850-93J10	.SWITCH ASSY, PTT	1	
5	67295-92E10	.SCREW	2	
6	67296-88D10	.SCREW	1	
7	67288-92E20	.WASHER	3	
8	67295-92E00	.SCREW	2	
9	67296-92E70	.SCREW	1	
10	67288-92E40	.WASHER	1	
11	67257-92E00	.CAP, LEVER	1	
12	67251-93J00	.LEVER, HANDLE	1	
13	67296-92E60	.SCREW	2	
14	67288-92E30	.WASHER	2	
15	67253-92E00	.WASHER	1	
16	36890-93J00	.WIRE HARNESS	1	
17	67281-93J00	.DECAL	1	
18	67296-92E30	.SCREW	4	
19	09160-05024	.WASHER (5.5X16X1.5)	4	
20	67287-92E00	.NUT	4	
21	67275-95600	.END, CABLE	2	
22	67273-95600	.SPACER	1	
23	67273-92E00	.GROMMET	1	
24	67274-92E00	.FLANGE	2	
25	67296-95610	.SCREW	4	
26	67271-92E00	.COVER	1	
27	67211-93J00	.COVER	1	
28	67296-92E70	.SCREW	2	
29	67500-93J00	KIT, REMOCON SPACER SINGLE	1	
30	09125-05135	.SCREW (5X65)	4	
31	09160-05029	.WASHER (5.5X12X0.8)	4	
32	09140-05005	.NUT	4	

FIG.201

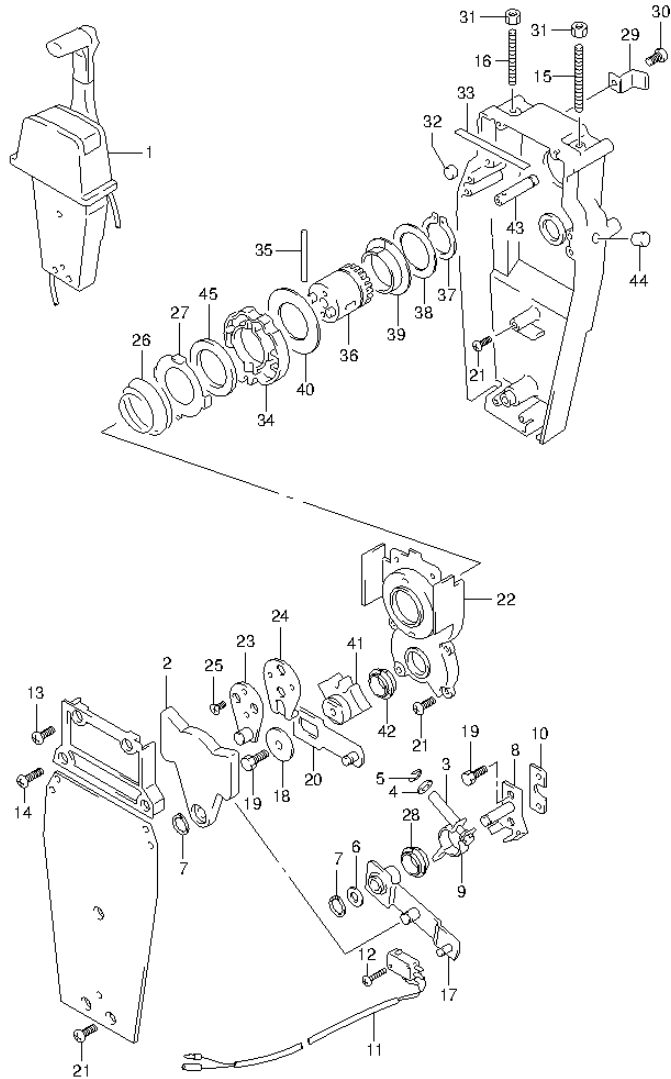


FIG.201 (2-K-12) OPT:REMOTE CONTROL ASSY SINGLE (2)

REF NO.	PART NO.	DESCRIPTION	Q'TY	REMARKS
1	67200-93J13	REMOTE CONTROL ASSY	1	
2	67222-92E00	.DUAL PLATE	1	
3	67223-92E00	.BRAKE ADJUST	1	
4	67288-92E00	.WASHER	1	
5	67292-94300	.E RING	4	
6	67288-92E10	.WASHER	1	
7	67291-92E00	.SNAP RING	2	
8	67221-92E00	.SHIFT ASSY	1	
9	67224-92E00	.BRAKE ARM ASSY	1	
10	67294-92E00	.SPACER	1	
11	37721-95500	.SWITCH ASSY, NEUTRAL	1	
12	67296-92E11	.SCREW (3X15)	2	
13	67296-88D10	.SCREW (5X16)	2	
14	67296-92E20	.SCREW (5X25)	2	
15	67226-92E00	.BOLT, STOPPER FRONT	1	
16	67226-92E10	.BOLT, STOPPER REAR	1	
17	67240-92E00	.ARM ASSY, THROTTLE	1	
18	67228-92E00	.WASHER	1	
19	67286-92E00	.BOLT (6X18)	3	
20	67230-92E00	.ARM ASSY, SHIFT	1	
21	09125-05042	.SCREW (5X10)	9	
22	67234-92E00	.CASE, GEAR	1	
23	67245-92E00	.LEVER ASSY, THROTTLE	1	
24	67227-92E00	.STOPPER	1	
25	09126-06006	.SCREW (6X20)	2	
26	67233-92E00	.SPRING	1	
27	67235-92E00	.PLATE, SHIFT LOCK	1	
28	67232-95620	.BUSH	1	
29	67269-92E00	.BRACKET	1	
30	67296-88D10	.SCREW	1	
31	09140-06020	.NUT	2	
32	67236-92E00	.ROLLER	1	
33	67237-92E01	.SPRING	6	
34	67238-92E00	.GEAR, DRIVE	1	

FIG.201

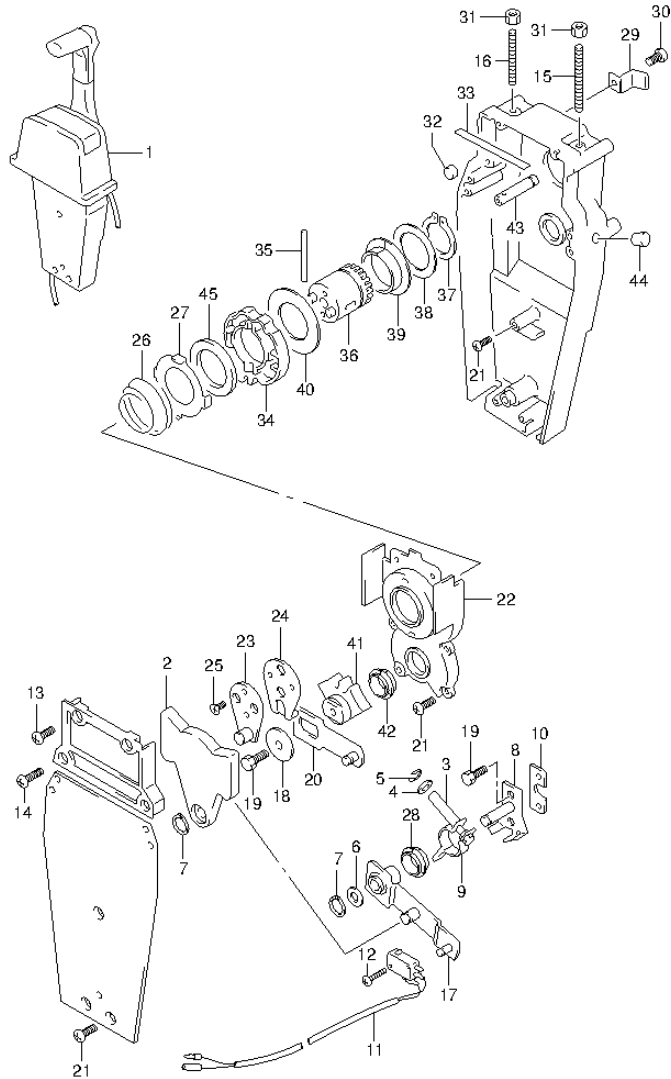


FIG.201 (2-K-13) OPT:REMOTE CONTROL ASSY SINGLE (2)

REF NO.	PART NO.	DESCRIPTION	Q'TY	REMARKS
35	67239-92E00	.PIN	1	
36	67246-92E00	.SHIFT, DRIVE	1	
37	67291-92E10	.SNAP RING	1	
38	67253-92E10	.WASHER	1	
39	67252-92E10	.BUSH	1	
40	67253-95600	.WASHER	1	
41	67231-92E00	.GEAR, SHIFT	1	
42	67232-95600	.BUSH	1	
43	67241-92E10	.ROD, FREE ACC	1	
44	67243-92E00	.CAP, HOLE	1	
45	67239-92E10	.PLATE, SHIFT PIN	1	

FIG.202

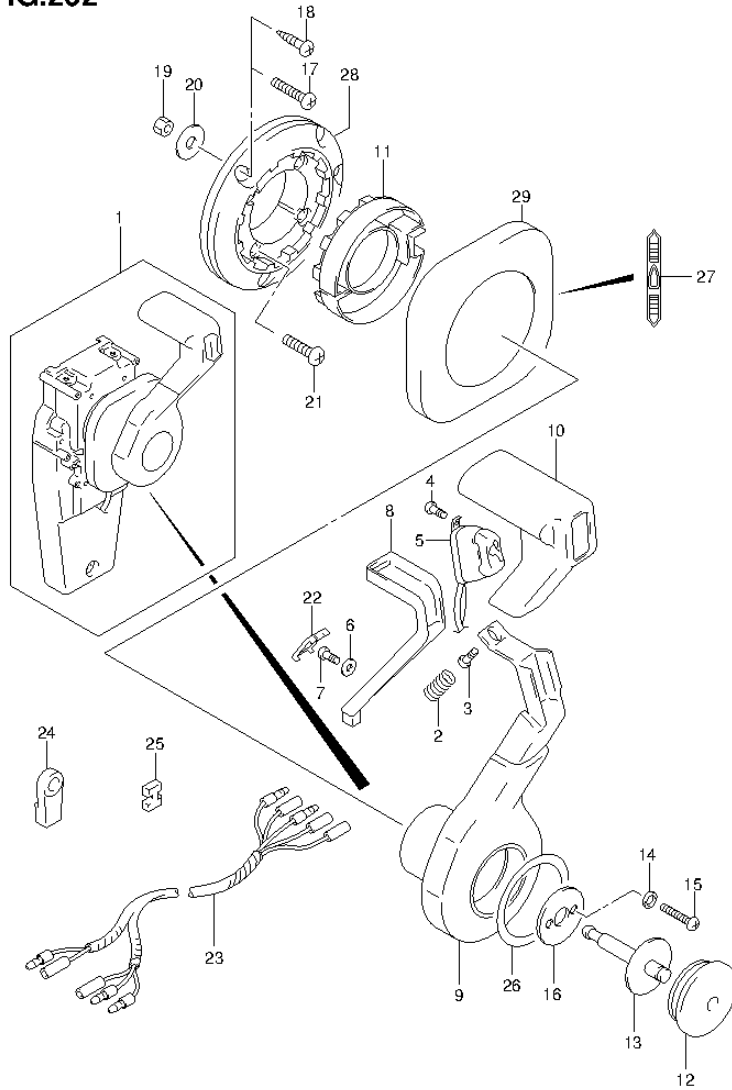


FIG.202 (2-K-14) OPT:CONCEALED REMOCON (1)

REF NO.	PART NO.	DESCRIPTION	Q'TY	REMARKS
1	67200-93J32	REMOTE CONTROL ASSY	1	
2	67298-92E50	.SPRING	1	
3	67296-94310	.SCREW	1	
4	67295-92E10	.SCREW (3X12)	2	
5	37850-92E26	.SWITCH ASSY, PTT	1	
6	67288-92E60	.WASHER	1	
7	09125-04021	.SCREW (4X20)	1	
8	67255-92E50	.ARM, NEUTRAL LOCK	1	
9	67251-92E50	.LEVER	1	
10	67261-92E50	.GRIP	1	
11	67256-92E50	.HOLDER, NEUTRAL LOCK	1	
12	67257-92E00	.CAP, LEVER	1	
13	67242-92E50	.SHAFT, FREE ACC	1	
14	67288-92E20	.WASHER	6	
15	67296-88D10	.SCREW (5X16)	4	
16	67288-92E70	.WASHER	1	
17	67296-88D20	.SCREW (6X35)	3	
18	67295-92E50	.SCREW (6X30)	3	
19	67287-92E50	.NUT	3	
20	09160-06104	.WASHER (6.5X24X2)	3	
21	67296-88D30	.SCREW (5X30)	4	
22	67254-92E50	.COVER, LOCK ARM	1	
23	36890-93J00	.WIRING ASSY	1	
24	67275-95600	.ENG CABLE	2	
25	67273-95600	.SPACER	1	
26	67283-92E50	.DECAL, LEVER	1	
27	67284-92E50	.DECAL, CLUTCH	1	
28	67274-92E50	.BASE	1	
29	67211-92E50	.COVER	1	

FIG.203

FIG.203 (2-K-15) OPT:CONCEALED REMOCON (2)

REF NO.	PART NO.	DESCRIPTION	Q'TY	REMARKS
1	67200-93J32	REMOTE CONTROL ASSY	1	
2	67222-92E50	.DUEL PLATE	1	
3	67292-94300	.E RING	3	
4	67288-92E10	.WASHER	1	
5	67291-92E00	.SNAP RING	2	
6	67223-92E50	.BRAKE ADJUST	1	
7	67221-92E50	.HOLDER ASSY	1	
8	67224-92E50	.BRAKE SHOE ASSY	1	
9	67225-92E50	.DISK, BRAKE	1	
10	09140-06020	.NUT	2	
11	67294-92E00	.SPACER	1	
12	37721-95500	.SWITCH ASSY, NEUTRAL	1	
13	67296-92E11	.SCREW (3X15)	2	
14	67226-92E10	.BOLT, STOPPER (REAR)	2	
15	67296-92E20	.SCREW (5X25)	2	
16	67240-92E50	ARM ASSY, THROTTLE	1	
17	67228-92E00	.WASHER	1	
18	67286-92E00	.BOLT (6X18)	3	
19	67230-92E00	ARM ASSY, SHIFT	1	
20	09125-05042	.SCREW (5X10)	11	
21	67234-92E00	.GEAR CASE	1	
22	67245-92E00	LEVER ASSY, THROTTLE	1	
23	67227-92E00	.STOPPER	1	
24	67296-88D10	.SCREW (6X20)	2	
25	67225-92E00	.SPRING	1	
26	09125-04004	.SCREW (4X6)	1	
27	67233-92E00	.SPRING	1	
28	67235-92E00	.PLATE, SHIFT LOCK	1	
29	67239-92E10	.PLATE, SHIFT PIN	1	
30	67236-92E00	.ROLLER	1	
31	67237-92E01	.SPRING	5	
32	67238-92E50	.GEAR, DRIVE	1	
33	67239-92E00	.PIN	1	
34	67246-92E50	.SHAFT, DRIVE	1	

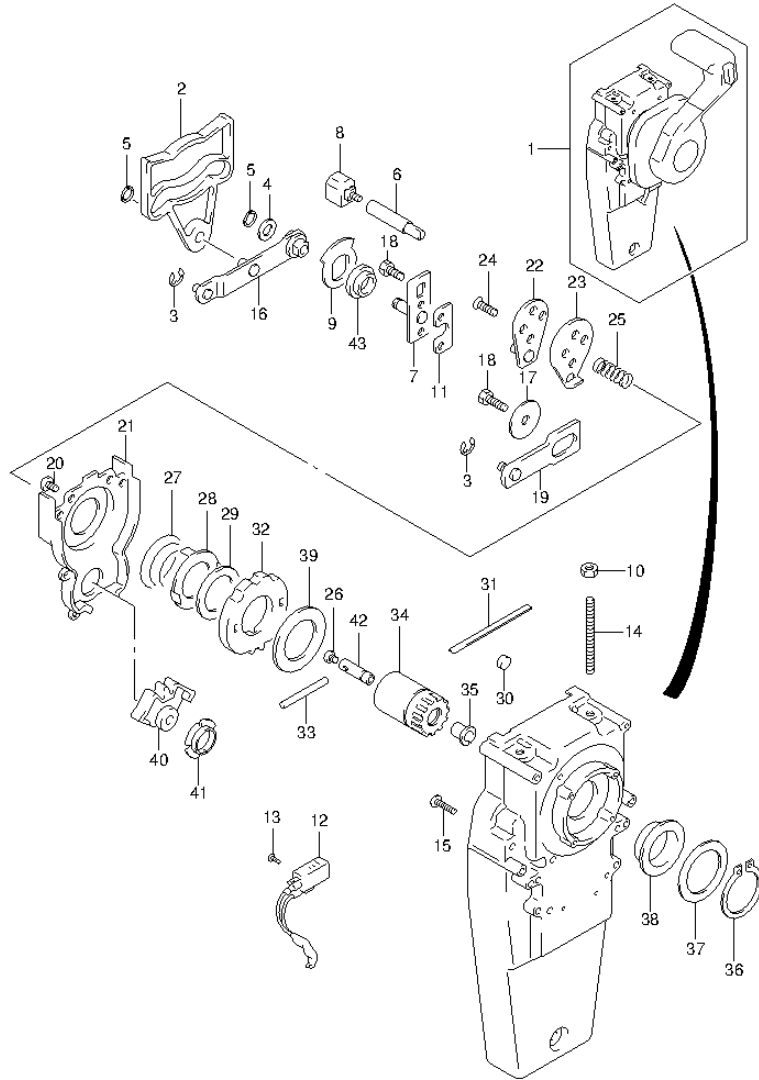


FIG.203

FIG.203 (2-L-2) OPT:CONCEALED REMOCON (2)

REF NO.	PART NO.	DESCRIPTION	Q'TY	REMARKS
35	67252-92E00	.BUSH	1	
36	67291-92E10	.SNAP RING	1	
37	67253-92E10	.WASHER	1	
38	67252-92E10	.BUSH	1	
39	67253-95600	.WASHER	1	
40	67231-92E00	.GEAR, SHIFT	1	
41	67232-95600	.BUSH	1	
42	67241-92E50	.ROD, FREE ACC	1	
43	67232-92E50	.BUSH	1	

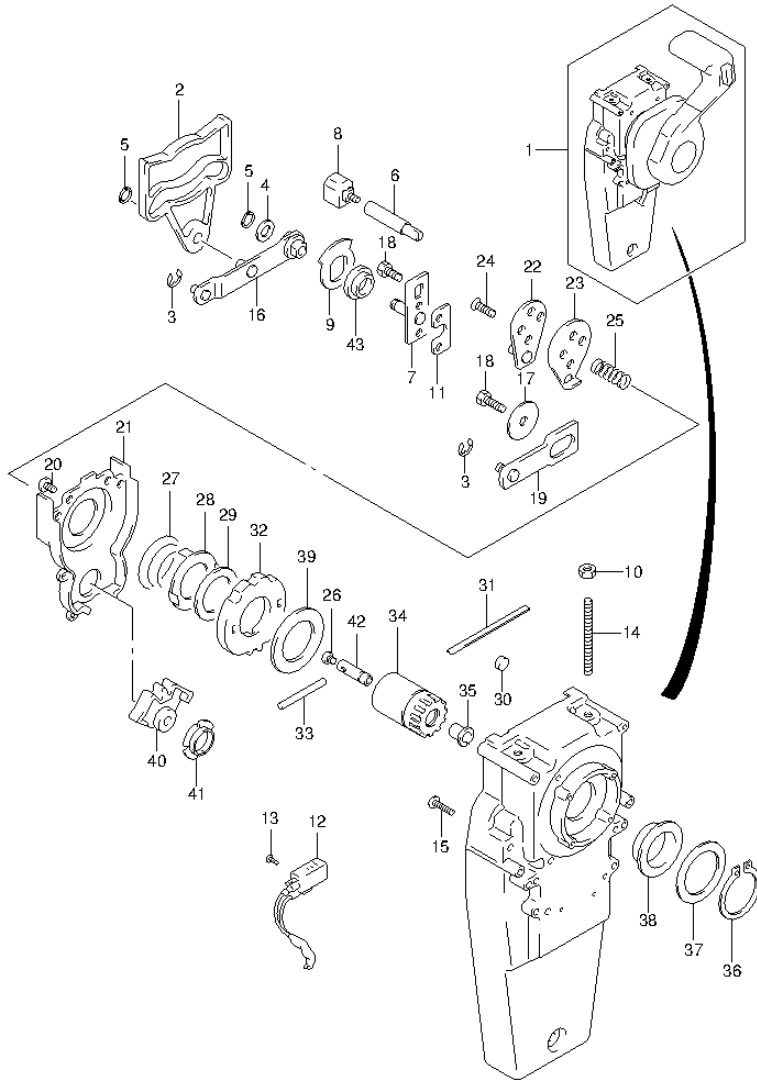


FIG.204

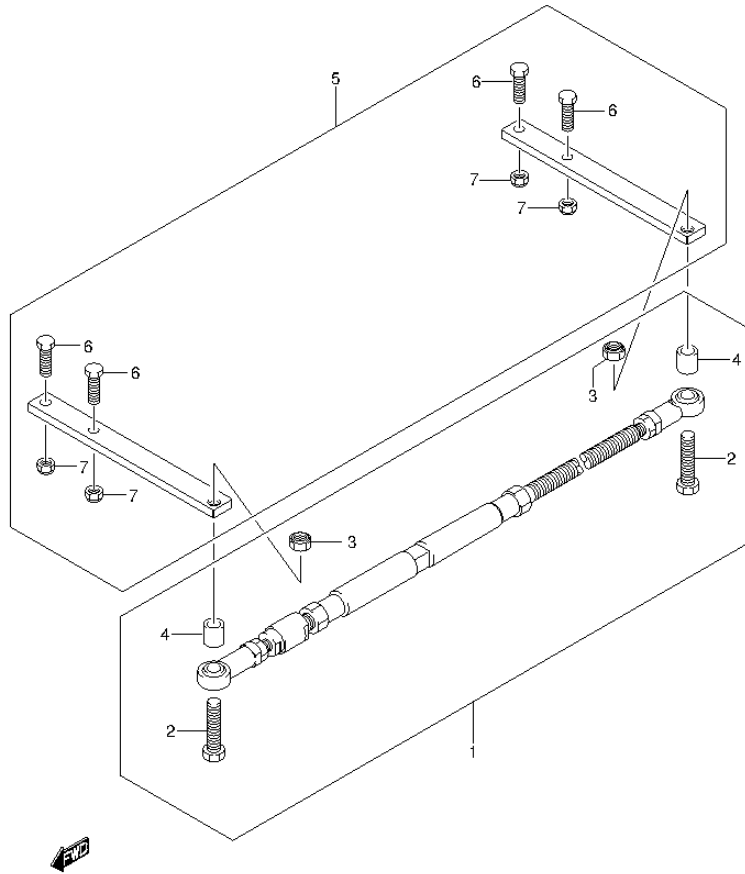


FIG.204 (2-L-3) OPT:TIE ROD

REF NO.	PART NO.	DESCRIPTION	Q'TY	REMARKS
1	67600-93J00	KIT, TIE ROD	1	
2	67725-93J00	.BOLT	2	
3	67726-93J00	.NUT	2	
4	67721-93J00	.SPACER	2	
5	67630-93J00	KIT, STEERING EXTENSION	1	
6	67725-93E00	.BOLT	4	
7	67726-99E00	.NUT	4	

FIG.205

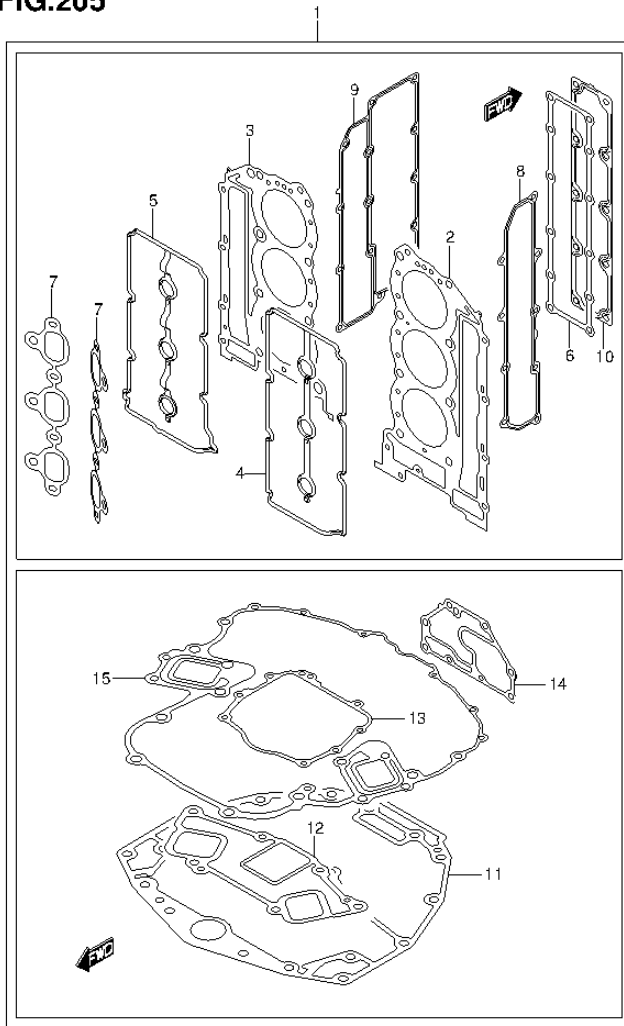


FIG.205 (2-L-4) OPT:GASKET SET (DF200T E03)

REF NO.	PART NO.	DESCRIPTION	Q'TY	REMARKS
1	11410-93871	GASKET SET	1	
2	11141-93J10	.GASKET, CYL HEAD STBD	1	
3	11142-93J10	.GASKET, CYL HEAD PORT	1	
4	11179-93J00	.GASKET, CYL HEAD COVER STBD	1	
5	11189-93J00	.GASKET, CYL HEAD COVER PORT	1	
6	11332-93J00	.GASKET, CRANKCASE WTR JKT COV	1	
7	13119-93J00	.GASKET, INTAKE MANIFOLD	2	
8	14151-93J00	.GASKET, EXH COVER STUD	1	
9	14152-93J00	.GASKET, EXH COVER PORT	1	
10	11272-93J00	.GASKET, CYL BLOCK PLATE	1	
11	11489-93J00	.GASKET, OIL PAN	1	
12	14212-93J00	.GASKET, EXHAUST TUBE	1	
13	51123-93J00	.GASKET, MOUNT OIL SEAL COVER	1	
14	51142-93J00	.GASKET, ENGINE HOLDER COVER	1	
15	51211-93J00	.GASKET, ENGINE HOLDER	1	
16-1	99011-93J20-054	MANUAL, OWNER'S	1	
16-2	99011-93J20-03B	MANUAL, OWNER'S	1	



FIG.206

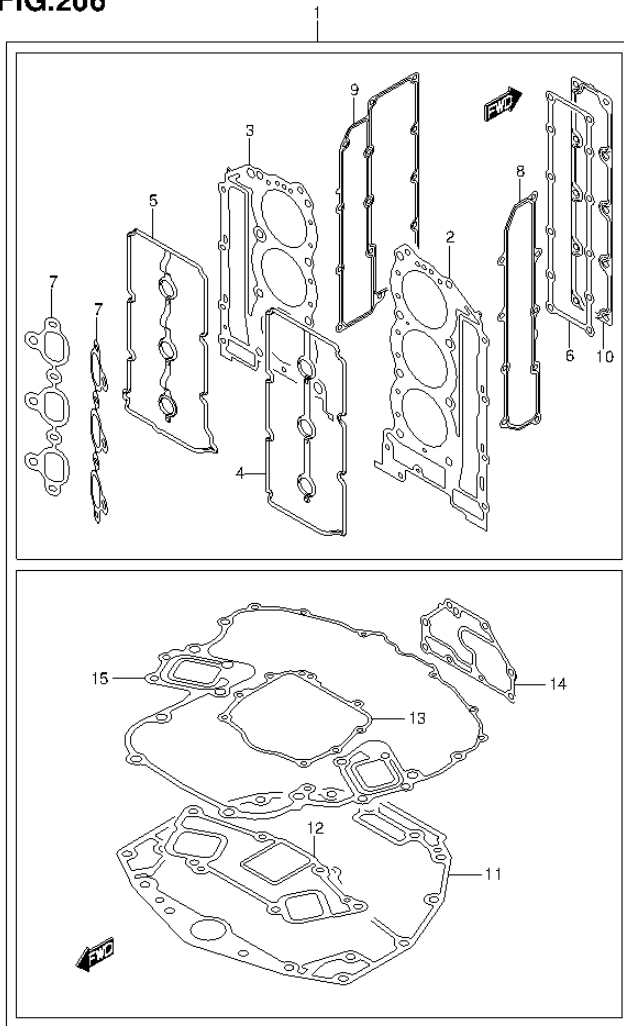


FIG.206 (2-L-5) OPT:GASKET SET (DF200Z E03)

REF NO.	PART NO.	DESCRIPTION	Q'TY	REMARKS
1	11410-93871	GASKET SET	1	
2	11141-93J10	.GASKET, CYL HEAD STBD	1	
3	11142-93J10	.GASKET, CYL HEAD PORT	1	
4	11179-93J00	.GASKET, CYL HEAD COVER STBD	1	
5	11189-93J00	.GASKET, CYL HEAD COVER PORT	1	
6	11332-93J00	.GASKET, CRANKCASE WTR JKT COV	1	
7	13119-93J00	.GASKET, INTAKE MANIFOLD	2	
8	14151-93J00	.GASKET, EXH COVER STUD	1	
9	14152-93J00	.GASKET, EXH COVER PORT	1	
10	11272-93J00	.GASKET, CYL BLOCK PLATE	1	
11	11489-93J00	.GASKET, OIL PAN	1	
12	14212-93J00	.GASKET, EXHAUST TUBE	1	
13	51123-93J00	.GASKET, MOUNT OIL SEAL COVER	1	
14	51142-93J00	.GASKET, ENGINE HOLDER COVER	1	
15	51211-93J00	.GASKET, ENGINE HOLDER	1	
16-1	99011-93J20-054	MANUAL, OWNER'S	1	
16-2	99011-93J20-03B	MANUAL, OWNER'S	1	

FIG.207

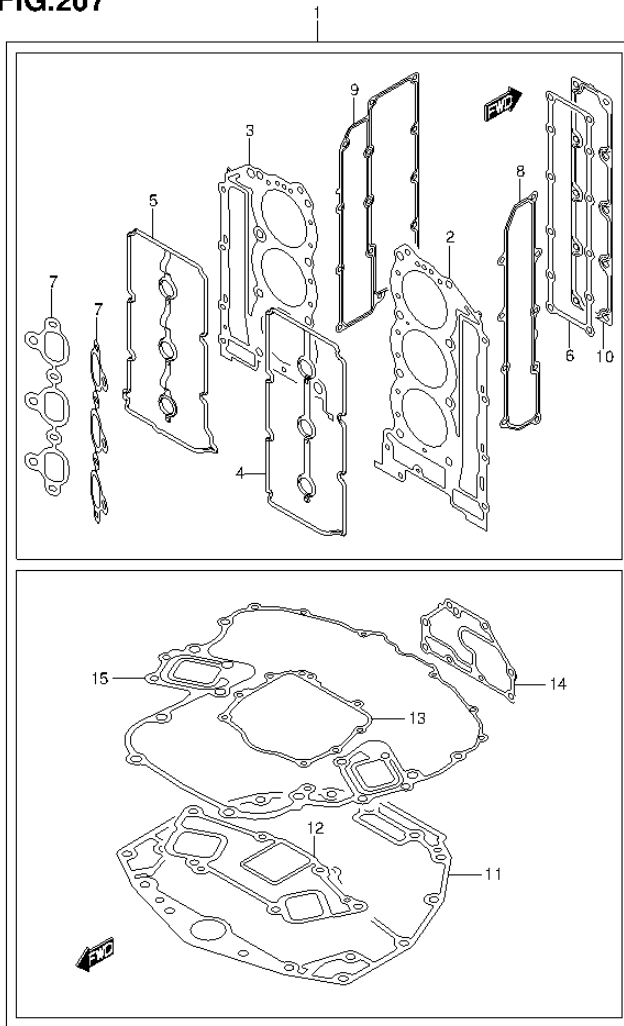


FIG.207 (2-L-6) OPT:GASKET SET (DF225T E03)

REF NO.	PART NO.	DESCRIPTION	Q'TY	REMARKS
1	11410-93871	GASKET SET	1	
2	11141-93J10	.GASKET, CYL HEAD STBD	1	
3	11142-93J10	.GASKET, CYL HEAD PORT	1	
4	11179-93J00	.GASKET, CYL HEAD COVER STBD	1	
5	11189-93J00	.GASKET, CYL HEAD COVER PORT	1	
6	11332-93J00	.GASKET, CRANKCASE WTR JKT COV	1	
7	13119-93J00	.GASKET, INTAKE MANIFOLD	2	
8	14151-93J00	.GASKET, EXH COVER STUD	1	
9	14152-93J00	.GASKET, EXH COVER PORT	1	
10	11272-93J00	.GASKET, CYL BLOCK PLATE	1	
11	11489-93J00	.GASKET, OIL PAN	1	
12	14212-93J00	.GASKET, EXHAUST TUBE	1	
13	51123-93J00	.GASKET, MOUNT OIL SEAL COVER	1	
14	51142-93J00	.GASKET, ENGINE HOLDER COVER	1	
15	51211-93J00	.GASKET, ENGINE HOLDER	1	
16-1	99011-93J20-054	MANUAL, OWNER'S	1	
16-2	99011-93J20-03B	MANUAL, OWNER'S	1	

16



FIG.208

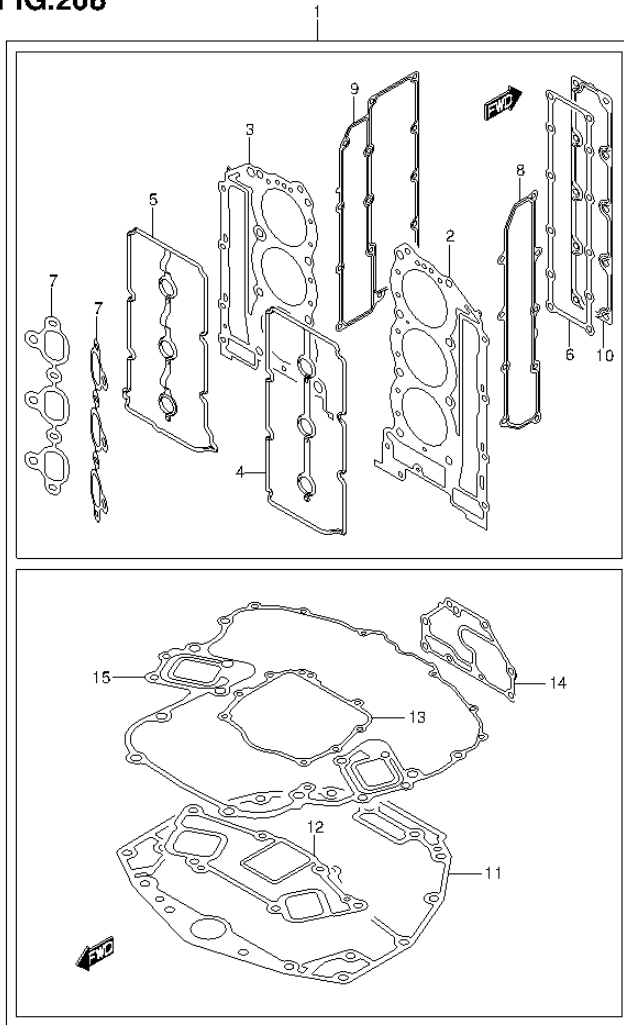


FIG.208 (2-L-7) OPT:GASKET SET (DF225Z E03)

REF NO.	PART NO.	DESCRIPTION	Q'TY	REMARKS
1	11410-93871	GASKET SET	1	
2	11141-93J10	.GASKET, CYL HEAD STBD	1	
3	11142-93J10	.GASKET, CYL HEAD PORT	1	
4	11179-93J00	.GASKET, CYL HEAD COVER STBD	1	
5	11189-93J00	.GASKET, CYL HEAD COVER PORT	1	
6	11332-93J00	.GASKET, CRANKCASE WTR JKT COV	1	
7	13119-93J00	.GASKET, INTAKE MANIFOLD	2	
8	14151-93J00	.GASKET, EXH COVER STUD	1	
9	14152-93J00	.GASKET, EXH COVER PORT	1	
10	11272-93J00	.GASKET, CYL BLOCK PLATE	1	
11	11489-93J00	.GASKET, OIL PAN	1	
12	14212-93J00	.GASKET, EXHAUST TUBE	1	
13	51123-93J00	.GASKET, MOUNT OIL SEAL COVER	1	
14	51142-93J00	.GASKET, ENGINE HOLDER COVER	1	
15	51211-93J00	.GASKET, ENGINE HOLDER	1	
16-1	99011-93J20-054	MANUAL, OWNER'S	1	
16-2	99011-93J20-03B	MANUAL, OWNER'S	1	



FIG.209

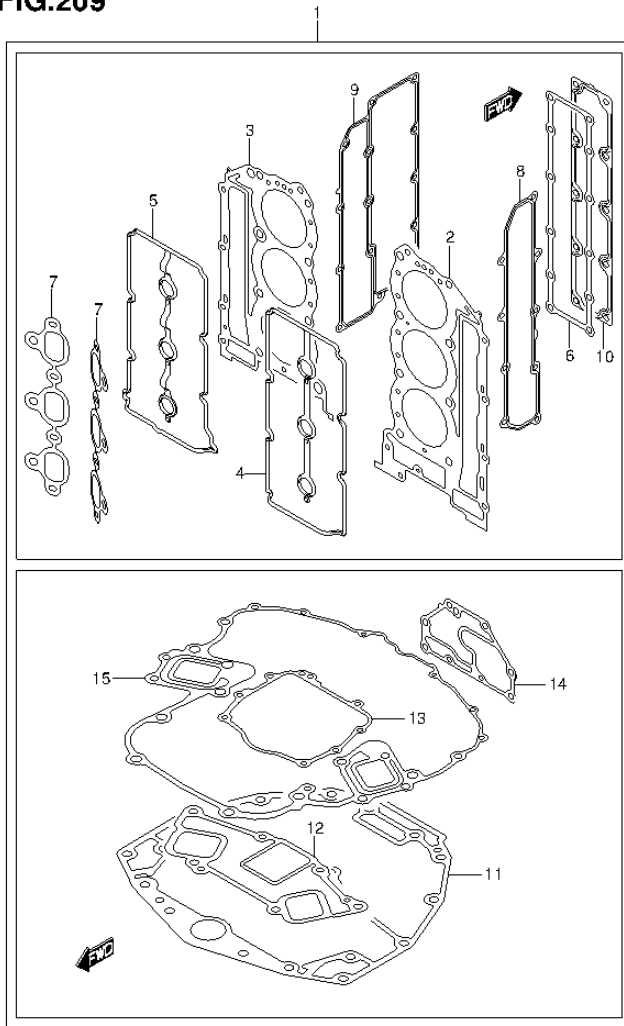


FIG.209 (2-L-8) OPT:GASKET SET (DF250T E03)

REF NO.	PART NO.	DESCRIPTION	Q'TY	REMARKS
1	11410-93871	GASKET SET	1	
2	11141-93J10	.GASKET, CYL HEAD STBD	1	
3	11142-93J10	.GASKET, CYL HEAD PORT	1	
4	11179-93J00	.GASKET, CYL HEAD COVER STBD	1	
5	11189-93J00	.GASKET, CYL HEAD COVER PORT	1	
6	11332-93J00	.GASKET, CRANKCASE WTR JKT COV	1	
7	13119-93J00	.GASKET, INTAKE MANIFOLD	2	
8	14151-93J00	.GASKET, EXH COVER STUD	1	
9	14152-93J00	.GASKET, EXH COVER PORT	1	
10	11272-93J00	.GASKET, CYL BLOCK PLATE	1	
11	11489-93J00	.GASKET, OIL PAN	1	
12	14212-93J00	.GASKET, EXHAUST TUBE	1	
13	51123-93J00	.GASKET, MOUNT OIL SEAL COVER	1	
14	51142-93J00	.GASKET, ENGINE HOLDER COVER	1	
15	51211-93J00	.GASKET, ENGINE HOLDER	1	
16-1	99011-93J20-054	MANUAL, OWNER'S	1	
16-2	99011-93J20-03B	MANUAL, OWNER'S	1	



FIG.210

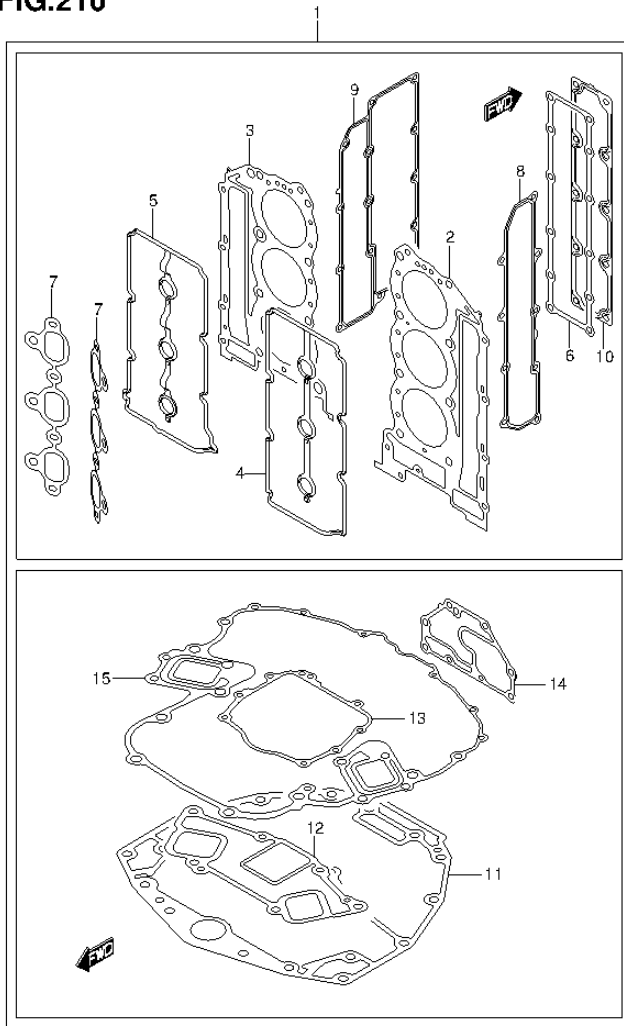


FIG.210 (2-L-9) OPT:GASKET SET (DF250Z E03)

REF NO.	PART NO.	DESCRIPTION	Q'TY	REMARKS
1	11410-93871	GASKET SET	1	
2	11141-93J10	.GASKET, CYL HEAD STBD	1	
3	11142-93J10	.GASKET, CYL HEAD PORT	1	
4	11179-93J00	.GASKET, CYL HEAD COVER STBD	1	
5	11189-93J00	.GASKET, CYL HEAD COVER PORT	1	
6	11332-93J00	.GASKET, CRANKCASE WTR JKT COV	1	
7	13119-93J00	.GASKET, INTAKE MANIFOLD	2	
8	14151-93J00	.GASKET, EXH COVER STUD	1	
9	14152-93J00	.GASKET, EXH COVER PORT	1	
10	11272-93J00	.GASKET, CYL BLOCK PLATE	1	
11	11489-93J00	.GASKET, OIL PAN	1	
12	14212-93J00	.GASKET, EXHAUST TUBE	1	
13	51123-93J00	.GASKET, MOUNT OIL SEAL COVER	1	
14	51142-93J00	.GASKET, ENGINE HOLDER COVER	1	
15	51211-93J00	.GASKET, ENGINE HOLDER	1	
16-1	99011-93J20-054	MANUAL, OWNER'S	1	
16-2	99011-93J20-03B	MANUAL, OWNER'S	1	



FIG.211

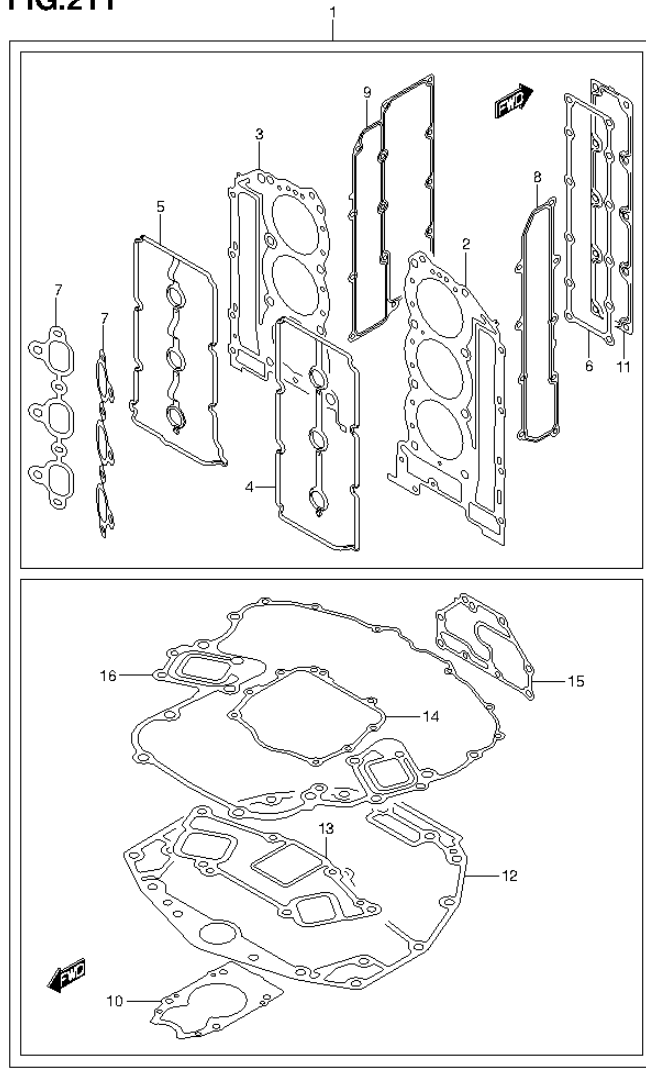


FIG.211 (2-L-10) OPT:GASKET SET (DF250ST E03)

REF NO.	PART NO.	DESCRIPTION	Q'TY	REMARKS
1	11410-98830	GASKET SET	1	
2	11141-98J10	.GASKET, CYL HEAD STBD	1	
3	11142-98J10	.GASKET, CYL HEAD PORT	1	
4	11179-93J00	.GASKET, CYL HEAD COVER STBD	1	
5	11189-93J00	.GASKET, CYL HEAD COVER PORT	1	
6	11332-93J00	.GASKET, CRANKCASE WTR JKT COV	1	
7	13119-98J00	.GASKET, INTAKE MANIFOLD	2	NOT AVAILABLE FOR DF250S ORDER 13119-93J00 FOR DF250S
8	14151-93J00	.GASKET, EXH COVER STUD	1	
9	14152-93J00	.GASKET, EXH COVER PORT	1	
10	17472-98J00	.GASKET, PUMP CASE PANEL	1	
11	11272-93J00	.GASKET, CYL BLOCK PLATE	1	
12	11489-93J00	.GASKET, OIL PAN	1	
13	14212-93J00	.GASKET, EXHAUST TUBE	1	
14	51123-93J00	.GASKET, MOUNT OIL SEAL COVER	1	
15	51142-93J00	.GASKET, ENGINE HOLDER COVER	1	
16	51211-93J00	.GASKET, ENGINE HOLDER	1	
17-1	99011-93J30-03B	MANUAL, OWNER'S	1	
17-2	99011-93J30-056	MANUAL, OWNER'S	1	

FIG.212

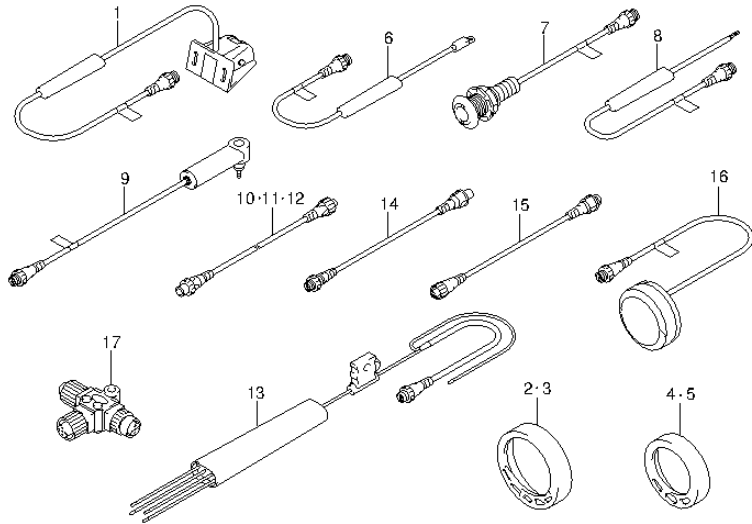
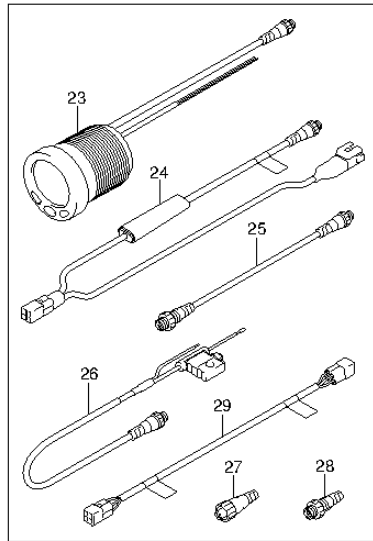
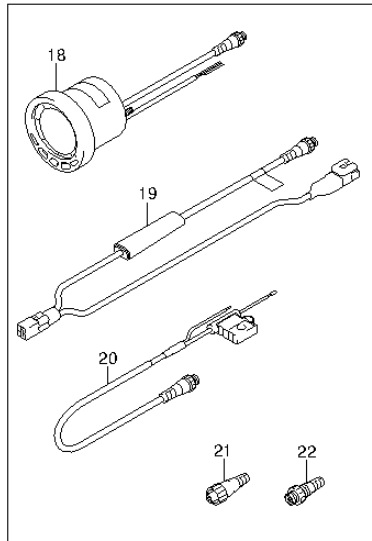


FIG.212 (2-L-11) OPT:LOWRANCE GAUGE

REF NO.	PART NO.	DESCRIPTION	Q'TY	REMARKS
1	34190-88L00	SENSOR ASSY,PAD WHEEL	1	
2	34193-88L00	BEZEL, 4 IN CHR	1	
3	34193-88L20	BEZEL, 4 IN WHITE	1	
4	34193-88L40	BEZEL, 2 IN CHR	1	
5	34193-88L60	BEZEL, 2 IN WHITE	1	
6	34455-88L00	SENSOR ASSY, WATER TEMP	1	
7	34455-88L10	SENSOR ASSY, WATER TEMP	1	
8	34810-88L00	SENSOR ASSY, FLUID LEVEL	1	
9	34960-88L00	SENSOR ASSY, WATER PRESSURE	1	
10	36662-88L10	WIRE, 2 EXTENSION	1	
11	36662-88L20	WIRE, 6 EXTENSION	1	
12	36662-88L30	WIRE, 15 EXTENSION	1	
13	36663-88L10	HARNESS ASSY, NETWORK POWER	1	
14	36666-88L00	WIRE, ADAPTER TO N NETWORK	1	
15	36666-88L10	WIRE, ADAPTER TO L NETWORK	1	
16	39950-88L00	MODULE ASSY, GPS RECEIVER	1	
17	36664-88L00	CONNECTOR, BRANCH	1	
18	34200-88L02	GAUGE ASSY, 4 IN MULTI	1	
19	34922-88L02	UNIT, INTERFACE	1	
20	36663-88L00	HARNESS ASSY, NETWORK POWER	1	
21	36665-88L00	UNIT, RESISTOR FEMALE	1	
22	36665-88L10	UNIT, RESISTOR MALE	1	
23	34800-88L01	GAUGE ASSY, 2 IN MULTI	1	
24	34922-88L02	UNIT, INTERFACE	1	
25	36662-88L00	WIRE, 25 EXTENSION	1	
26	36663-88L00	HARNESS ASSY, NETWORK POWER	1	
27	36665-88L00	UNIT, RESISTOR FEMALE	1	
28	36665-88L10	UNIT, RESISTOR MALE	1	
29	36668-88L00	WIRE, ADAPTER TO DIAGNS	1	



PART NO.	FIG.NO.-REF.NO.	PART NO.	FIG.NO.-REF.NO.	PART NO.	FIG.NO.-REF.NO.
10000			3-10		4-22
			4-10		5-22
			5-10		6-22
			6-10		7-21
			14-7		1-24
11101-93J13	1-1	11128-90J00	1-2	11173-93J00	2-24
	2-1		1-6		3-24
	3-1		2-2		4-24
	4-1		2-6		5-24
	5-1		3-2		6-24
11101-98J03	6-1		3-6		7-23
11103-93J13	7-1		4-2	11174-93J00	1-31
	1-5		4-6		2-31
	2-5		5-2		3-31
	3-5		5-6		4-31
	4-5		6-2		5-32
11103-98J03	5-5		6-6		6-32
	6-5		7-2		7-31
11112-93J00	7-5		7-6	11179-93J00	1-26
	8-4	11141-93J10	1-11		2-26
	9-4		2-11		3-26
	10-4		3-11		4-26
	11-4		4-11		5-26
	12-4		5-11		6-26
	13-4		6-11		7-25
11115-93J10-001	14-4		205-2		205-4
	1-40		206-2		206-4
	2-40		207-2		207-4
	3-40		208-2		208-4
	4-40		209-2		209-4
	5-41		210-2		210-4
11116-93J01	6-41	11141-98J10	7-10		211-4
	7-40		211-2	11180-93J02	1-23
	1-9	11142-93J10	1-12		2-23
	2-9		2-12		3-23
	3-9		3-12		4-23
	4-9		4-12	11180-93J22	5-23
	5-9		5-12		6-23
	6-9		6-12		7-22
11117-93J10	7-9		205-3	11183-93J00	1-25
	8-5		206-3		2-25
	9-5		207-3		3-25
	10-5		208-3		4-25
	11-5		209-3		5-25
	12-5		210-3		6-25
	13-5	11142-98J10	7-11		7-24
11117-98J10	14-5		211-3	11184-93J00	1-38
11119-93J00	1-10	11170-93J01	1-22		2-38
	2-10		2-22		3-38
			3-22		4-38

PART NO.	FIG.NO.-REF.NO.	PART NO.	FIG.NO.-REF.NO.	PART NO.	FIG.NO.-REF.NO.
			5-39		7-36
		11291-98J00	6-39		1-41
			7-38		2-41
11189-93J00	1-27		1-27		3-41
	2-27		4-41		208-1
	3-27		5-42		209-1
	4-27		6-42		210-1
	5-27		7-41	11410-98830	211-1
	6-27	11293-98J00	8-1	11435-93J00	71-14
	7-26		9-1	11489-93J00	71-6
	205-5		10-1		205-11
	206-5		11-1		206-11
	207-5		12-1		207-11
	208-5		13-1		208-11
	209-5		14-1		209-11
	210-5	11301-93J11	8-3		210-11
	211-5		9-3		211-12
11196-93J00	61-1		10-3	11501-93J02-0EP	71-7
11197-93J00	61-2		11-3	11510-93J03	15-1
11217-85FA0	8-6		12-3	11515-93J00	15-4
	9-6		13-3	11516-93J00	15-6
	10-6	11301-98J03	14-3	11541-93J00-0EP	71-9
	11-6	11330-93J01	8-18	11591-93J10	71-8
	12-6		9-18	12100-93J00-050	16-14
	13-6		10-18		17-14
	14-8		11-18		18-14
11261-93J00	1-14		12-18		19-14
	2-14		13-18		20-14
	3-14		14-22		21-14
	4-14	11332-93J00	8-19	12100-98810-025	16-6-2
	5-14		9-19		17-6-2
	6-14		10-19		18-6-2
	7-13		11-19		19-6-2
	39-5		12-19		20-6-2
11261-93J00-0EP	71-1		13-19		21-6-2
11270-93J00	61-3		14-23		22-6-2
11272-93J00	61-4		205-6	12100-98810-0A0	16-6-1
	205-10		206-6		17-6-1
	206-10		207-6		18-6-1
	207-10		208-6		19-6-1
	208-10		209-6		20-6-1
	209-10		210-6		21-6-1
	210-10		211-6		22-6-1
	211-11	11382-93J00	1-33	12100-98J00-050	22-14
11291-93J00	1-36		2-33	12111-93J02-0B0	16-1
	2-36		3-33		17-1
	3-36		4-33		18-1
	4-36		5-34		19-1
	5-37		6-34		20-1
	6-37		7-33		21-1

PART NO.	FIG.NO.-REF.NO.	PART NO.	FIG.NO.-REF.NO.	PART NO.	FIG.NO.-REF.NO.
12111-98J00-0B0	22-1		17-9-2		18-8-2
12140-93J00	16-2		18-9-2		19-8-2
	17-2		19-9-2		20-8-2
	18-2		20-9-2		21-8-2
	19-2		21-9-2	12340-86FA2-0D0	16-8-3
	20-2	12300-86812-0BA	16-8-6		17-8-3
	21-2		17-8-6		18-8-3
12140-93J00-050	16-15		18-8-6		19-8-3
	17-15		19-8-6		20-8-3
	18-15		20-8-6		21-8-3
	19-15		21-8-6	12340-86FA2-0E0	16-8-4
	20-15	12300-86812-0CA	16-8-7		17-8-4
	21-15		17-8-7		18-8-4
12140-98J00	22-2		18-8-7		19-8-4
12140-98J00-050	22-15		19-8-7		20-8-4
12151-02F00	22-3		20-8-7		21-8-4
12151-93J10	16-3		21-8-7	12340-86FA2-0F0	16-8-5
	17-3	12300-86812-0DA	16-8-8		17-8-5
	18-3		17-8-8		18-8-5
	19-3		18-8-8		19-8-5
	20-3		19-8-8		20-8-5
	21-3		20-8-8		21-8-5
12160-93J01	16-5		21-8-8	12340-98J00-0A0	22-8-1
	17-5	12300-86812-0EA	16-8-9	12340-98J00-0B0	22-8-2
	18-5		17-8-9	12340-98J00-0C0	22-8-3
	19-5		18-8-9	12340-98J00-0D0	22-8-4
	20-5		19-8-9	12340-98J00-0E0	22-8-5
	21-5		20-8-9	12632-93J11	70-1
12160-98J00	22-5		21-8-9	12701-93J30	30-1
12220-93J01	16-7	12300-86812-0FA	16-8-10		31-1
	17-7		17-8-10	12701-93J40	32-1
	18-7		18-8-10		33-1
	19-7		19-8-10	12701-93J50	34-1
	20-7		20-8-10		35-1
	21-7		21-8-10	12701-98J10	36-1
12220-98J00	22-7	12300-98810-0AA	22-8-6	12705-93J30	30-2
12242-93J01	16-10	12300-98810-0BA	22-8-7		31-2
	17-10	12300-98810-0CA	22-8-8	12705-93J40	32-2
	18-10	12300-98810-0DA	22-8-9		33-2
	19-10	12300-98810-0EA	22-8-10	12705-93J50	34-2
	20-10	12300-98821	22-9-1		35-2
	21-10	12300-98821-012	22-9-2	12705-98J10	36-2
12242-98J00	22-10	12340-86FA2-0B0	16-8-1	12721-93J30	30-3
12300-85830	16-9-1		17-8-1		31-3
	17-9-1		18-8-1		32-3
	18-9-1		19-8-1		33-3
	19-9-1		20-8-1	12721-93J50	34-3
	20-9-1		21-8-1		35-3
	21-9-1	12340-86FA2-0C0	16-8-2	12721-98J10	36-3
12300-85830-012	16-9-2		17-8-2	12725-93J30	30-4

PART NO.	FIG.NO.-REF.NO.	PART NO.	FIG.NO.-REF.NO.	PART NO.	FIG.NO.-REF.NO.
	31-4		29-8	12812-90J00	23-20
	32-4	12762-93J00	23-9		24-20
	33-4		24-9		25-20
12729-93J50	34-4		25-9		26-20
	35-4		26-9		27-20
12729-98J10	36-4		27-9		28-20
12730-93J01	23-1		28-9		29-20
	24-1		29-9	12813-73G00	23-19
	25-1	12770-93J00	23-10		24-19
	26-1		24-10		25-19
	27-1		25-10		26-19
	28-1		26-10		27-19
12730-98J00	29-1		27-10		28-19
12734-93J00	23-5		28-10		29-19
	24-5		29-10		30-19
	25-5	12771-93J00	23-14	12831-93J01	23-22
	26-5		24-14		24-22
	27-5		25-14		25-22
	28-5		26-14		26-22
	29-5		27-14		27-22
12740-93J00	34-5		28-14		28-22
	35-5		29-14	12832-93J00	23-23
	36-5	12772-93J00	23-16		24-23
12742-93J10	30-5		24-16		25-23
	31-5		25-16		26-23
	32-5		26-16		27-23
	33-5		27-16		28-23
12748-93J00	30-6		28-16		29-23
	31-6		29-16	12833-93J00	23-24
	32-6	12775-93J00	23-15		24-24
	33-6		24-15		25-24
	34-6		25-15		26-24
	35-6		26-15		27-24
	36-6		27-15		28-24
12749-93J00	30-7		28-15		29-24
	31-7		29-15	12891-93J00	30-13
	32-7	12778-93J00	23-11		31-13
	33-7		24-11		32-13
	34-8		25-11		33-13
	35-8		26-11		34-14
	36-8		27-11		35-14
12753-93J00	34-7		28-11		36-14
	35-7		29-11	12892-93J00-218	30-14-1
	36-7	12810-93J00	23-18		31-14-1
12761-93J00	23-8		24-18		32-14-1
	24-8		25-18		33-14-1
	25-8		26-18		34-15-1
	26-8		27-18		35-15-1
	27-8		28-18		36-15-1
	28-8		29-18	12892-93J00-220	30-14-2

PART NO.	FIG.NO.-REF.NO.	PART NO.	FIG.NO.-REF.NO.	PART NO.	FIG.NO.-REF.NO.
	31-14-2		32-14-9		33-14-16
	32-14-2		33-14-9		34-15-16
	33-14-2		35-15-9		35-15-16
	34-15-2		35-15-9		36-15-16
	35-15-2		36-15-9	12892-93J00-258	30-14-17
12892-93J00-223	36-15-2	12892-93J00-240	30-14-10		31-14-17
	30-14-3		31-14-10		32-14-17
	31-14-3		32-14-10		33-14-17
	32-14-3		33-14-10		34-15-17
	33-14-3		34-15-10		35-15-17
	34-15-3		35-15-10		36-15-17
12892-93J00-225	35-15-3	12892-93J00-243	36-15-10	12892-93J00-260	30-14-18
	36-15-3		30-14-11		31-14-18
	30-14-4		31-14-11		32-14-18
	31-14-4		32-14-11		33-14-18
	32-14-4		33-14-11		34-15-18
	33-14-4		34-15-11		35-15-18
	34-15-4		35-15-11		36-15-18
	35-15-4		36-15-11	12892-93J00-263	30-14-19
12892-93J00-228	36-15-4	12892-93J00-245	30-14-12		31-14-19
	30-14-5		31-14-12		32-14-19
	31-14-5		32-14-12		33-14-19
	32-14-5		33-14-12		34-15-19
	33-14-5		34-15-12		35-15-19
	34-15-5		35-15-12		36-15-19
	35-15-5		36-15-12	12892-93J00-265	30-14-20
12892-93J00-230	36-15-5	12892-93J00-248	30-14-13		31-14-20
	30-14-6		31-14-13		32-14-20
	31-14-6		32-14-13		33-14-20
	32-14-6		33-14-13		34-15-20
	33-14-6		34-15-13		35-15-20
	34-15-6		35-15-13		36-15-20
	35-15-6		36-15-13	12892-93J00-268	30-14-21
12892-93J00-233	36-15-6	12892-93J00-250	30-14-14		31-14-21
	30-14-7		31-14-14		32-14-21
	31-14-7		32-14-14		33-14-21
	32-14-7		33-14-14		34-15-21
	33-14-7		34-15-14		35-15-21
	34-15-7		35-15-14		36-15-21
	35-15-7		36-15-14	12892-93J00-270	30-14-22
12892-93J00-235	36-15-7	12892-93J00-253	30-14-15		31-14-22
	30-14-8		31-14-15		32-14-22
	31-14-8		32-14-15		33-14-22
	32-14-8		33-14-15		34-15-22
	33-14-8		34-15-15		35-15-22
	34-15-8		35-15-15		36-15-22
	35-15-8		36-15-15	12892-93J00-273	30-14-23
12892-93J00-238	36-15-8	12892-93J00-255	30-14-16		31-14-23
	30-14-9		31-14-16		32-14-23
	31-14-9		32-14-16		33-14-23

PART NO.	FIG.NO.-REF.NO.	PART NO.	FIG.NO.-REF.NO.	PART NO.	FIG.NO.-REF.NO.
	34-15-23		35-15-30		36-18
	35-15-23		36-15-30	12931-78G00	30-18
	36-15-23	12892-93J00-293	30-14-31		31-18
12892-93J00-275	30-14-24		31-14-31		32-18
	31-14-24		32-14-31		33-18
	32-14-24		33-14-31		34-19
	33-14-24		34-15-31		35-19
	34-15-24		35-15-31		36-19
	35-15-24		36-15-31	12932-24400	30-19
	36-15-24	12892-93J00-295	30-14-32		31-19
12892-93J00-278	30-14-25		31-14-32		32-19
	31-14-25		32-14-32		33-19
	32-14-25		33-14-32		34-20
	33-14-25		34-15-32		35-20
	34-15-25		35-15-32		36-20
	35-15-25		36-15-32	12933-69G10	30-20
12892-93J00-280	36-15-25	12892-93J00-298	30-14-33		31-20
	30-14-26		31-14-33		32-20
	31-14-26		32-14-33		33-20
	32-14-26		33-14-33		34-21
	33-14-26		34-15-33		35-21
	34-15-26		35-15-33		36-21
	35-15-26		36-15-33	13110-93J00	37-1
	36-15-26	12892-93J00-300	30-14-34	13119-93J00	37-2
12892-93J00-283	30-14-27		31-14-34		205-7
	31-14-27		32-14-34		206-7
	32-14-27		33-14-34		207-7
	33-14-27		34-15-34		208-7
	34-15-27		35-15-34		209-7
	35-15-27		36-15-34		210-7
	36-15-27	12911-93J00	30-15	13119-98J00	211-7
12892-93J00-285	30-14-28		31-15	13130-93J21	64-1
	31-14-28		32-15		65-1
	32-14-28		33-15		66-1
	33-14-28		34-16		67-1
	34-15-28		35-16		68-1
	35-15-28	12911-98J00	36-16	13130-93J30	62-1
	36-15-28	12915-93J10	30-16		63-1
12892-93J00-288	30-14-29		31-16	13132-93J00	64-56
	31-14-29		32-16		65-56
	32-14-29		33-16		66-56
	33-14-29		34-17		67-56
	34-15-29		35-17		68-56
	35-15-29		36-17	13133-93J00	64-57
	36-15-29	12921-93J10	30-17		65-57
12892-93J00-290	30-14-30		31-17		66-57
	31-14-30		32-17		67-57
	32-14-30		33-17		68-57
	33-14-30		34-18	13138-93J00	62-4
	34-15-30		35-18		63-4

PART NO.	FIG.NO.-REF.NO.	PART NO.	FIG.NO.-REF.NO.	PART NO.	FIG.NO.-REF.NO.
	64-13		65-17		65-44
	65-13		66-17		66-44
	66-13		67-17		67-44
	67-13		68-17		68-44
	68-13		62-9		62-24
13139-93J00	62-2	13312-93J00	63-9	13537-93J00	63-24
	63-2		64-18		64-38
	64-2		65-18		65-38
	65-2		66-18		66-38
	66-2		67-18		67-38
	67-2		68-18		68-38
	68-2	13320-93J00	62-13	13538-93J00	62-33
13140-93J03	64-15		63-13		63-33
	65-15		64-22		64-47
	66-15		65-22		65-47
	67-15		66-22		66-47
	68-15		67-22		67-47
13140-93J13	62-6		68-22		68-47
	63-6	13355-93J00	62-11	13541-93J00	62-34
13144-93J00	62-20		63-11		63-34
	63-20		64-20		64-48
	64-32		65-20		65-48
	65-32		66-20		66-48
	66-32		67-20		67-48
	67-32		68-20		68-48
	68-32	13370-93J00	40-21	13542-93J00	62-35
13147-93J00	62-3		41-21		63-35
	63-3		42-21		64-49
	64-3		43-21		65-49
	65-3		44-21		66-49
	66-3		45-21		67-49
	67-3		46-21		68-49
	68-3	13421-93J00	62-14	13543-93J00	62-36
13279-10G00	62-10		63-14		63-36
	63-10		64-23		64-50
	64-19		65-23		65-50
	65-19		66-23		66-50
	66-19		67-23		67-50
	67-19		68-23		68-50
	68-19	13510-93J00	69-1	13553-93J00	62-26
13295-10G00	62-12	13514-93J00	62-31		63-26
	63-12		63-31		64-40
	64-21		64-45		65-40
	65-21		65-45		66-40
	66-21		66-45		67-40
	67-21		67-45		68-40
	68-21		68-45	13554-93J00	62-27
13310-93J01	62-8	13521-93J00	62-30		63-27
	63-8		63-30		64-41
	64-17		64-44		65-41

PART NO.	FIG.NO.-REF.NO.	PART NO.	FIG.NO.-REF.NO.	PART NO.	FIG.NO.-REF.NO.
	66-41		107-2		43-24
	67-41		108-2		44-24
	68-41	13710-93J00	38-1		45-24
13555-93J00	62-23	13730-93J00	64-24	15200-98J00	46-24
	63-23		65-24	15410-93J10	40-2
	64-37		66-24		41-2
	65-37		67-24		42-2
	66-37		68-24		43-2
	67-37	13811-93J01	38-2		44-2
	68-37	13813-93J00	38-3		45-2
13580-93J02	116-1	13851-93J01	38-4		46-2
	117-1	13881-93J00	38-5	15411-93J10	40-3
	118-1	14140-98J01	39-2		41-3
	119-1	14141-93J01	39-1		42-3
	120-1	14151-93J00	39-3		43-3
	121-1		205-8		44-3
	122-1		206-8		45-3
13583-93J00	62-21		207-8		46-3
	62-22		208-8	15412-93J10	40-5
	63-21		209-8		41-5
	63-22		210-8		42-5
	64-35		211-8		43-5
	64-36	14152-93J00	39-4		44-5
	65-35		205-9		45-5
	65-36		206-9		46-5
	66-35		207-9	15413-93J10	40-6
	66-36		208-9		41-6
	67-35		209-9		42-6
	67-36		210-9		43-6
	68-35		211-9		44-6
	68-36	14154-93J01	71-10		45-6
13599-93J00	62-32	14211-93J00	71-11		46-6
	63-32	14212-93J00	71-12	15415-93J10	40-4
	64-46		205-12		41-4
	65-46		206-12		42-4
	66-46		207-12		43-4
	67-46		208-12		44-4
	68-46		209-12		45-4
13650-52G00	102-1		210-12		46-4
	103-1		211-13	15440-93J00	40-11
	104-1	15100-94900	40-1		41-11
	105-1		41-1		42-11
	106-1		42-1		43-11
	107-1		43-1		44-11
	108-1		44-1		45-11
13655-87J00	102-2		45-1		46-11
	103-2		46-1	15600-93J01	40-20
	104-2	15200-93J01	40-24		41-20
	105-2		41-24		42-20
	106-2		42-24		43-20

PART NO.	FIG.NO.-REF.NO.	PART NO.	FIG.NO.-REF.NO.	PART NO.	FIG.NO.-REF.NO.
15600-98J00 15626-93J00	44-20	15635-93J20	45-49	15645-93J00	46-7
	45-20		46-49		40-52
	46-20		40-43		41-52
	40-22		41-43		42-52
15627-93J00	41-22	15636-98J20	42-43	15646-93J00	43-52
	42-22		43-43		44-52
	43-22		44-43		45-52
	44-22		45-43		46-52
	45-22		46-43		40-9
	46-22		40-38		41-9
	40-33		41-38		42-9
	41-33		42-38		43-9
	42-33		43-38		44-9
	43-33		44-38		45-9
15628-99E00	44-33	15637-93J20	45-38	15647-93J00	46-9
	45-33		46-38		40-25
	46-33		40-53		41-25
	40-32		41-53		42-25
	41-32		42-53		43-25
	42-32		43-53		44-25
15629-99E10	43-32	15641-90J00	44-53	15650-93J00	45-25
	44-32		45-53		46-25
	45-32		46-53		40-23
	46-32		40-26		41-23
	40-54		41-26		42-23
	41-54		42-26		43-23
	42-54		43-26		44-23
	43-54		44-26		45-23
	44-54		45-26		46-23
	45-54		46-26		40-28
15632-93J20	46-54	15642-90J00	40-27	15654-99E00	41-28
	40-44		41-27		42-28
	41-44		42-27		43-28
	42-44		43-27		44-28
	43-44		44-27		45-28
	44-44		45-27		46-28
15633-93J20	45-44	15643-93J00	46-27	15671-93J00	40-64
	46-44		40-47		41-64
	40-8		41-47		42-64
	41-8		42-47		43-64
	42-8		43-47		44-64
	43-8		44-47		45-64
15634-93J20	44-8	15644-93J00	45-47	15672-93J00	46-64
	45-8		46-47		40-41
	46-8		40-7		41-41
	40-49		41-7		42-41
	41-49		42-7		43-41
	42-49		43-7		44-41
	43-49		44-7		45-41
	44-49		45-7		46-41

PART NO.	FIG.NO.-REF.NO.	PART NO.	FIG.NO.-REF.NO.	PART NO.	FIG.NO.-REF.NO.
15673-98J00	40-45	15686-93J00	41-40	15710-93J00	42-31
	41-45		42-40		43-31
	42-45		43-40		44-31
	43-45		44-40		45-31
15674-93J00	44-45	15688-93J00	45-40	15710-96J00	46-31
	45-45		46-40		47-7
	46-45		40-39		48-7
	40-51		41-39		49-7
	41-51		42-39		50-7
	42-51		43-39		51-7
	43-51		44-39		52-7
	44-51		45-39		53-7
	45-51		46-39		40-16
	46-51		47-2		41-16
15675-93J00	40-35	15710-96J00	48-2	15770-93J00	42-16
	41-35		49-2		43-16
	42-35		50-2		44-16
	43-35		51-2		45-16
	44-35		52-2		46-16
	45-35		53-2		40-13
15680-93J21	46-35	15717-16G00	47-3	15773-90J00	41-13
	47-19		48-3		42-13
	48-19		49-3		43-13
	49-19		50-3		44-13
	50-19		51-3		45-13
	51-19		52-3		46-13
	52-19		53-3		47-8
	53-19		47-4		48-8
	47-1		48-4		49-8
	48-1		49-4		50-8
15681-93J01	49-1	15735-58B00	50-4	15735-58B00	51-8
	50-1		51-4		52-8
	51-1		52-4		53-8
	52-1		53-4		40-14
	53-1		47-5		41-14
	40-55		48-5		42-14
15683-87J00	41-55	15751-93J00	49-5	15751-93J00	43-14
	42-55		50-5		44-14
	43-55		51-5		45-14
	44-55		52-5		46-14
	45-55		53-5		47-9
	46-55		47-6		48-9
15684-98J00	47-22	15756-93J01	48-6	15756-93J01	49-9
	48-22		49-6		50-9
	49-22		50-6		51-9
	50-22		51-6		52-9
	51-22		52-6		53-9
	52-22		53-6		70-2
	53-22		40-31		70-3
	40-40		41-31		8-21
15685-93J00	40-40	15760-93J00	40-31	16113-93J10	70-2
			40-31	16400-93J02	70-3
			41-31	16430-93J00	8-21

PART NO.	FIG.NO.-REF.NO.	PART NO.	FIG.NO.-REF.NO.	PART NO.	FIG.NO.-REF.NO.
	9-21		9-11		59-3
	10-21		10-11		60-3
	11-21		11-11	17461-93J00	54-4
	12-21		12-11		55-4
	13-21		13-11		56-4
16431-93J00	14-25	16712-93J00	14-14		57-4
	8-22		8-15		58-4
	9-22		9-15		59-4
	10-22		10-15		60-4
	11-22		11-15	17471-93J02	54-5
	12-22		12-15		55-5
16433-93J00	13-22	16721-93J00	13-15		56-5
	14-26		8-16		57-5
	8-23		9-16		58-5
	9-23		10-16		59-5
	10-23		11-16	17471-98J01	60-5
	11-23		12-16	17472-93J00	54-6
	12-23		13-16		55-6
	13-23	16760-93J00	70-5		56-6
	14-27	16781-93J00	70-6		57-6
16510-96J00	8-26	16782-93J00	70-7		58-6
	9-26	16783-93J01	70-8		59-6
	10-26	16910-93J00	71-25	17472-98J00	60-6
	11-26	16930-93J00	71-26		211-10
	12-26	17400-93J02	54-18	17473-98J00	60-7
	13-26		55-18	17561-93J03	54-7-1
16519-93J00	14-30		56-18		55-7
	155-2		57-18		56-7-1
	156-2		58-18		57-7-1
	157-2		59-18		58-7-1
	158-2	17400-98J01	60-21		59-7-1
	159-2	17410-93J01	54-1	17561-93J13	56-7-2
	160-2		55-1		57-7-2
	161-2		56-1		58-7-2
16520-93J00	70-4		57-1		59-7-2
16550-93J00	34-11		58-1	17561-93J21	54-7-2
	35-11		59-1		60-8
	36-11		60-1	17562-93J00	54-8
16551-93J00	30-10	17413-93J02	54-2		55-8
	31-10		55-2		56-8
	32-10		56-2		57-8
16555-93J00	33-10		57-2		58-8
	34-12		58-2		59-8
	35-12		59-2		60-9
	36-12		60-2	17563-93J00	54-9
16559-93J00	30-11	17416-93J00	54-3		55-9
	31-11		55-3		56-9
	32-11		56-3		57-9
	33-11		57-3		58-9
16700-93J00	8-11		58-3		59-9

PART NO.	FIG.NO.-REF.NO.	PART NO.	FIG.NO.-REF.NO.	PART NO.	FIG.NO.-REF.NO.
	60-10	17633-98J00	60-15		44-68
17564-93J00	54-10	17660-99E01	61-8		45-68
	55-10	17670-90J00	61-9-1		46-68
	56-10	17670-90J10	61-9-2	18117-93J00	64-5
	57-10	17681-93J00	61-10		65-5
	58-10	17711-90J00	61-11		66-5
17566-87D11	59-10	17712-93J00	61-12		67-5
	60-11	17713-98J00	61-36	18119-93J00	68-5
	170-6	17895-93J00	38-6		64-6
	171-9	17913-93J00	155-3		65-6
	172-9		156-3		66-6
	173-12		157-3		67-6
	174-9		158-3		68-6
	175-12		159-3	18137-93J00	62-15
17581-93J00	61-5		160-3		63-15
17582-93J00	61-6		161-3		64-25
17611-90J00-OEP	61-7		177-44		65-25
17612-93J00	54-11		178-44		66-25
	55-11		179-44		67-25
	56-11		180-44		68-25
	57-11		181-44	18417-93J00	40-69
	58-11		182-44		41-69
	59-11		183-44		42-69
	60-12		184-44		43-69
17631-93J20	54-12-1	17914-93J00	155-4		44-69
	55-12-1		156-4		45-69
	56-12-1		157-4		46-69
	57-12-1		158-4	18498-87JC0	40-60
	58-12-1		159-4		41-60
	59-12-1		160-4		42-60
17631-93J30	54-12-2		161-4		43-60
	55-12-2		177-45		44-60
	56-12-2		178-45		45-60
	57-12-2		179-45		46-60
	58-12-2		180-45		195-10
	59-12-2		181-45	18498-90J00	64-12
17631-98J10	60-13		182-45		65-12
17632-93J20	54-13-1		183-45		66-12
	55-13-1		184-45		67-12
	56-13-1	17915-98J01	61-38		68-12
	57-13-1	17917-87L00	195-3	18498-93J00	47-10
	58-13-1	18116-93J00	64-4		48-10
	59-13-1		65-4		49-10
17632-93J30	54-13-2		66-4		50-10
	55-13-2		67-4		51-10
	56-13-2		68-4		52-10
	57-13-2	18117-52G10	40-68		53-10
	58-13-2		41-68	18590-68H00	62-7
	59-13-2		42-68		63-7
17632-98J10	60-14		43-68		64-16

PART NO.	FIG.NO.-REF.NO.	PART NO.	FIG.NO.-REF.NO.	PART NO.	FIG.NO.-REF.NO.
	65-16	21230-93J01	72-6		81-5
	66-16		73-6		82-5
	67-16		74-6		83-5
	68-16		75-6		84-5
19115-93J01	69-2		76-6	25141-98J00	85-5
19121-93J02	69-3		77-6	25222-90J00	85-6
19148-93J00	69-4		78-6	25223-94400	72-9
19184-93J00	69-5	22511-99011	131-1		73-9
19185-93J00	69-6		132-1		74-9
			133-1		75-9
			134-1		76-9
			135-1		77-9
			136-1		78-9
			137-1		79-6
			138-1		80-6
21100-93J01	72-1	23111-93J00	72-7-1		81-6
	73-1		73-7		82-6
	74-1		74-7		83-6
	75-1		75-7		84-6
	76-1		76-7	25232-90J00	85-3
	77-1		77-7	25232-96302	79-3
	78-1	23111-93J10	72-7-2		80-3
21131-93J00	72-2		78-7		81-3
	73-2	23115-93J00	72-8		82-3
	74-2		73-8		83-3
	75-2		74-8		84-3
	76-2		75-8	25321-93J00	79-8
	77-2		76-8		80-8
	78-2		77-8		81-8
21151-93J00	72-3		78-8		82-8
	73-3	25111-93J00	79-1		83-8
	74-3		80-1		84-8
	75-3		81-1-1	25321-98J00	85-8
	76-3		82-1-1	25700-93J00	170-28
	77-3		83-1-1		171-31
	78-3		84-1-1		172-31
21155-93J00	72-4	25111-93J10	81-1-2		173-34
	73-4		82-1-2		174-31
	74-4		83-1-2		175-34
	75-4		84-1-2	25700-98J00	176-31
	76-4	25111-98J00	85-1	29103-93J00	71-23
	77-4	25131-93J00	79-2		102-8
	78-4		80-2		103-8
21210-93J01	72-5		81-2		104-8
	73-5		82-2		105-8
	74-5		83-2		106-8
	75-5		84-2		107-8
	76-5	25131-98J00	85-2		162-21
	77-5	25141-93J00	79-5		163-21
	78-5		80-5		164-25

PART NO.	FIG.NO.-REF.NO.	PART NO.	FIG.NO.-REF.NO.	PART NO.	FIG.NO.-REF.NO.
	165-25		163-20	31135-94900	147-6
	166-25		164-24		148-6
	167-25		165-24		149-6
29103-93J30	71-3		166-24		150-6
29116-93J00	60-16		167-24		151-6
	71-13	29404-93J20	102-16		152-6
	79-9		108-10		153-7
	80-9				154-7
	81-9			31136-90J10	147-7
	82-9				148-7
	83-9				149-7
	84-9				150-7
	85-9				151-7
29125-93J00	116-14				152-7
	117-14				153-8
	118-14	31100-96J01	93-1		154-8
	119-14	31111-94900	147-2	31151-94J00	93-4
	120-14		148-2	31152-90J00	93-5
	121-14		149-2	31153-90J00	93-6
29141-93J20	139-25		150-2	31170-90J00	93-19
	140-25		151-2	31171-96J00	93-7
	141-25		152-2	31173-90J01	93-8
	142-25		153-2	31173-94910	147-8
	143-25		154-2		148-8
	144-25	31123-94910	147-3		149-8
	145-20		148-3		150-8
	146-20		149-3		151-8
	168-4		150-3		152-8
	169-4		151-3		153-3
	172-7		152-3		154-3
	173-10		153-4	31191-96J00	93-9
29404-93J10	174-7		154-4	31220-94J00	93-10
	175-10	31131-90J01	93-2	31281-92J10	147-11
	71-24	31133-90J00	147-4		148-11
	102-11		148-4		149-11
	103-11		149-4		150-11
	104-11		150-4		151-11
	105-11		151-4		152-11
	106-11		152-4		153-11
	107-11		153-5		154-11
	109-19		154-5	31310-90J00	93-11
	110-19	31133-94900	147-5	31311-93J00	147-9
	111-19		148-5		148-9
	112-19		149-5		149-9
	113-19		150-5		150-9
	114-19		151-5		151-9
	115-19		152-5		152-9
	153-20		153-6	31311-94900	153-10
	154-20		154-6		154-10
	162-20	31135-90J00	93-3	31320-93J00	93-12

PART NO.	FIG.NO.-REF.NO.	PART NO.	FIG.NO.-REF.NO.	PART NO.	FIG.NO.-REF.NO.
31341-93J00	93-13		97-10	34190-95500	194-24
31343-90J00	93-14		98-10	34191-92E00	194-5
31344-90J00	93-15		99-10		194-17
31360-93J01	93-16		100-10	34193-88L00	212-2
31912-93J01	93-20	33410-93J00	101-9	34193-88L20	212-3
31913-93J00	93-17	33634-96J00	109-9	34193-88L40	212-4
31914-93J00	93-18		110-9	34193-88L60	212-5
31918-90J10	93-21		111-9	34200-88L02	212-18
32102-93J02	94-1		112-9	34200-93J00	194-20-1
	95-1		113-9	34200-93J11	194-20-2
	96-1		114-9	34300-93J00	194-10-1
	97-1		115-9	34300-93J11	194-10-2
	98-1	33799-97E00	147-10	34310-92E00	194-11
	99-1		148-10	34360-92E00	194-12
	100-1		149-10	34455-88L00	212-6
32120-93J00	94-4		150-10	34455-88L10	212-7
	95-4		151-10	34500-93J00	194-14-1
	96-4		152-10	34500-93J11	194-14-2
	97-4		153-9	34600-93J00	194-8-1
	98-4		154-9	34600-93J11	194-8-2
	99-4	33810-93J01	109-1	34650-93J20	194-16-1
	100-4		110-1	34650-93J31	194-16-2
32131-93J00	94-5		111-1	34660-93J00	195-5
	95-5		112-1	34800-88L01	212-23
	96-5		113-1	34800-93J00	194-1-1
	97-5		114-1	34800-93J11	194-1-2
	98-5		115-1	34801-93J03	102-3
	99-5	33920-93JH0	122-16		103-3
	100-5	33920-93JU0	116-18		104-3
32160-88L00	94-7		117-18		105-3
	95-7		118-18		106-3
	96-7		119-18		107-3
	97-7		120-18	34801-99E04	102-13
	98-7		121-18		108-7
	99-7	33925-93J00	116-19	34810-88L00	212-8
	100-7		117-19	34813-93J00	102-17
32800-93J03	101-1		118-19		108-11
32805-93J00	101-2		119-19	34830-87J20	102-4
32890-93J01	101-3		120-19		102-5
32891-93J00	101-4		121-19		103-4
33220-69J00	94-9		122-17		103-5
	95-9	34100-93J00	194-3-1		104-4
	96-9	34100-93J11	194-3-2		104-5
	97-9	34100-93J20	194-3-3		105-4
	98-9	34100-93J31	194-3-4		105-5
	99-9	34100-93J40	194-3-5		106-4
	100-9	34100-93J51	194-3-6		106-5
33221-42F00	94-10	34100-93J60	194-3-7		107-4
	95-10	34190-87D00	194-23		107-5
	96-10	34190-88L00	212-1		108-3

PART NO.	FIG.NO.-REF.NO.	PART NO.	FIG.NO.-REF.NO.	PART NO.	FIG.NO.-REF.NO.
	108-4		111-16	36865-90J00	109-25
34922-88L02	212-19		112-16		110-25
	212-24		113-16		111-25
34960-88L00	212-9		114-16		112-25
36610-93JM1	115-8		115-16		113-25
36610-93JN1	109-8	36620-93J02	197-55-1		114-25
	110-8	36620-93J10	195-1-1		115-25
36610-93JP1	111-8	36620-93J30	195-2	36890-93J00	200-16
	112-8	36620-93J40	195-1-2		202-23
36610-93JR1	113-8	36620-93J52	197-55-2	36890-93J10	198-15
	114-8	36620-93J62	197-55-3	36894-87D00	123-24
36615-96300	194-7	36625-93J00	109-30-2		124-24
	194-21		110-30-2		125-24
36616-93J01	109-3		111-30-2		126-24
	110-3		112-30-2		127-24
	111-3		113-30-2		128-24
	112-3		114-30-2		131-2
	113-3		115-30-2		132-2
	114-3	36625-93J10	109-30-1		133-2
	115-3		110-30-1		134-2
36617-93J00	109-12		111-30-1		135-2
	110-12		112-30-1		136-2
	111-12		113-30-1		137-2
	112-12		114-30-1		138-2
	113-12		115-30-1		139-31
	114-12	36628-92E00	197-3		140-31
	115-12	36645-93J00	93-22		141-31
36617-93J10	109-13	36646-93J01	197-2		142-31
	110-13	36647-93J00	109-34		143-31
	111-13		110-34		144-31
	112-13		111-34		145-24
	113-13		112-34		146-24
	114-13		113-34		162-7
	115-13		114-34		163-7
36617-93J20	109-14		115-34		164-11
	110-14	36662-88L00	212-25		165-11
	111-14	36662-88L10	212-10		166-11
	112-14	36662-88L20	212-11		167-11
	113-14	36662-88L30	212-12		168-19
	114-14	36663-88L00	212-20		169-19
	115-14		212-26	36895-87D01	139-32
36617-93J30	109-15	36663-88L10	212-13		139-33
	110-15	36664-88L00	212-17		140-32
	111-15	36665-88L00	212-21		140-33
	112-15		212-27		141-32
	113-15	36665-88L10	212-22		141-33
	114-15		212-28		142-32
	115-15	36666-88L00	212-14		142-33
36617-93J40	109-16	36666-88L10	212-15		143-32
	110-16	36668-88L00	212-29		143-33

PART NO.	FIG.NO.-REF.NO.	PART NO.	FIG.NO.-REF.NO.	PART NO.	FIG.NO.-REF.NO.
36895-87D10	144-32		119-5		119-9
	144-33		120-5		120-9
	137-13		121-5		121-9
	138-13		122-5		122-9
	145-27		197-8	37855-99E00	196-8
	146-27	37721-93J91	201-11	37859-90J00	197-54
		37721-95500		38100-93J03	147-1
37100-96J00	196-1		203-12		148-1
37100-96J13	196-11	37722-93J11	116-12		149-1
37100-96J23	196-21		117-12		150-1
37110-93J01	196-12		118-12		151-1
	196-22		119-12		152-1
37110-93J11	197-4		120-12		153-1
37139-99E00	196-2		121-12	38100-93J11	154-1
37139-99E10	196-17		122-12		
37139-99E20	196-24	37725-93J11	116-8	38410-93J12	116-15
37141-99E00	196-13-1		117-8		117-15
	197-5-1		118-8		118-15
37141-99E10	196-13-2		119-8		119-15
	197-5-2		120-8		120-15
37141-99E20	196-13-3		121-8		121-15
	197-5-3		122-8		122-13
37141-99E30	196-13-4	37729-93J00	116-2	38415-93J00	116-16
	197-5-4		117-2		117-16
37141-99E40	196-13-5		118-2		118-16
	197-5-5		119-2		119-16
37141-99E50	196-13-6		120-2		120-16
	197-5-6		121-2		121-16
37141-99E60	196-13-7		122-2		122-14
	197-5-7	37803-93J03	196-5	38500-93J00	195-4
37141-99E70	196-13-8	37805-93J00	196-7	38500-93J90	196-3
	197-5-8	37820-93J03	196-23		196-19
37141-99E80	196-13-9		197-9		196-26
	197-5-9	37820-93J93	196-16		197-13
37141-99E90	196-13-10	37820-99E01	102-6	38860-76F01	93-23
	197-5-10		103-6		116-20
37141-99EA0	196-13-11		104-6		117-20
	197-5-11		105-6		118-20
37141-99EB0	196-13-12		106-6		119-20
	197-5-12		107-6		120-20
37143-99E00	196-14		108-5		121-20
	197-6	37823-92E01	197-10		122-18
37149-93J00	196-15	37825-99E00	196-6	38915-90J00	93-24
	197-7	37826-92E00	197-11		116-21
37210-93J00	196-9	37850-90J05	197-12		117-21
37212-93J00	196-10	37850-92E26	202-5		118-21
37220-92E00	198-16	37850-93J10	198-4		119-21
37721-92E10	199-11		200-4		120-21
37721-93J00	116-5	37850-99E04	116-9		121-21
	117-5		117-9		122-19
	118-5		118-9	39950-88L00	212-16

PART NO.	FIG.NO.-REF.NO.	PART NO.	FIG.NO.-REF.NO.	PART NO.	FIG.NO.-REF.NO.
40000		41153-93J00	128-7	41234-93J11	131-14
			123-9		132-14
			124-9		133-14
			125-9		134-14
			126-9		135-14
	41111-93J14-0EP	123-1		41234-96J10	137-16
		124-1			138-16
		125-1		43111-93J23-0EP	131-3
		126-1			132-3
		127-1	41155-93J02	123-14	
	128-1		124-14		133-3
41111-96J21-0EP	129-1		125-14		134-3
	130-1		126-14		135-3
41117-93J01	123-3		127-14		136-3
	124-3		128-14	43111-96J20-0EP	137-3
	125-3		129-11		138-3
	126-3		130-11	43114-93J00	131-4
	127-3	41161-94400	193-2		132-4
	128-3	41220-93J11	131-13		133-4
41118-96J00	102-24		132-13		134-4
	108-18		133-13		135-4
41121-93J06-0EP	123-2		134-13		136-4
	124-2		135-13	43117-96J00	102-21
	125-2		136-13		108-15
	126-2	41220-96J10	137-15	43118-96J00	102-23
	127-2		138-15		108-17
	128-2	41224-95E01	131-15	43211-93J00	131-5
41121-96J12-0EP	129-2		132-15		132-5
	130-2		133-15		133-5
41122-93J01	123-4		134-15		134-5
	124-4		135-15		135-5
	125-4		136-15		136-5
	126-4		137-17		137-4
	127-4		138-17		138-4
	128-4	41230-96J00	131-16	43711-97E01	131-6
41130-92J03	129-3		132-16		132-6
	130-3		133-16		133-6
41130-93J12	123-6		134-16		134-6
	124-6		135-16		135-6
	125-6		136-16		136-6
	126-6		137-18		137-5
	127-6		138-18		138-5
	128-6	41233-95E10	131-17	43750-93J02-0EP	131-7
41135-92J00	129-4		132-17		132-7
	130-4		133-17		133-7
41135-93J11	123-7		134-17		134-7
	124-7		135-17		135-7
	125-7		136-17		136-7
	126-7		137-19	43750-96J02-0EP	137-6
	127-7		138-19		138-6

PART NO.	FIG.NO.-REF.NO.	PART NO.	FIG.NO.-REF.NO.	PART NO.	FIG.NO.-REF.NO.
45421-87D02	123-17 124-17 125-17 126-17 127-17 128-17		125-23 126-23 127-23 128-23 129-17 130-17		143-1 144-1 153-12 154-12 145-1 146-1
48121-92J00	145-15 146-15	48311-96J10	139-23 140-23	48570-95E01	145-11 146-11
48121-93J13	139-17 140-17 141-17 142-17 143-17 144-17		141-23 142-23 143-23 144-23 145-16 146-16	48571-93J00	139-30 140-30 141-30 142-30 143-30 144-30
48125-93J00	139-18 140-18 141-18 142-18 143-18 144-18	48320-93J00	139-20 140-20 141-20 142-20 143-20 144-20	48572-87J10	139-12 140-12 141-12 142-12 143-12 144-12
48126-93J00	139-19 140-19 141-19 142-19 143-19 144-19	48321-87D03 48321-93J00	145-17 146-17 139-24 140-24 141-24 142-24	48572-95E00 48573-93J00	145-12 146-12 139-21 140-21 141-21 142-21
48128-93J11	139-22 140-22 141-22 142-22 143-22 144-22	48326-95E00	143-24 144-24 145-18 146-18 139-8	48582-95E01	143-21 144-21 140-2 141-2 142-2
48140-93J01	123-19 124-19 125-19 126-19 127-19 128-19 129-14 130-14	48400-93J06	140-8 141-8 142-8 143-8 144-8 145-2 146-2		143-2 144-2 153-13 154-13 139-16 140-16 141-16 142-16
48144-93J00	123-20 124-20 125-20 126-20 127-20 128-20 129-15 130-15	48405-93J00	139-9 140-9 141-9 142-9 143-9 144-9 145-9 146-9		143-16 144-16 153-15 154-15 139-13 140-13 141-13 142-13
48145-93J00	123-23 124-23	48500-93J05	141-1 142-1		143-13 144-13

PART NO.	FIG.NO.-REF.NO.	PART NO.	FIG.NO.-REF.NO.	PART NO.	FIG.NO.-REF.NO.
	147-12 148-12 149-12 150-12 151-12 152-12	48633-94900	145-6 146-6 145-7 146-7 139-10 140-10		160-1 161-1 155-5 156-5 157-5 158-5
	153-16 154-16 145-13 146-13 153-17 154-17	48641-96J02	141-10 142-10 143-10 144-10	48650-93J00	159-5 160-5 161-5 155-10 156-10
48588-94900	146-13 153-17 154-17		145-8 139-7 140-7 141-7 142-7		157-10 158-10 160-10 161-10
48601-94900	145-3 146-3	48691-93J00	139-7 140-7		158-10 159-10
48605-93J00	139-3 140-3 141-3 142-3 143-3 144-3		141-7 142-7 143-7 144-7 145-14 146-14		160-10 161-10 155-11 156-11 157-11 158-11
48610-93J01	139-4 140-4 141-4 142-4 143-4 144-4	48862-87J20	139-14 140-14 141-14 142-14 143-14 144-14		159-11 160-11 161-11 155-14 156-14 157-14
48615-97E00	145-10 146-10	48862-92J20	153-18 154-18		158-14 159-14
48627-93J00	139-11 140-11 141-11 142-11 143-11 144-11	48862-92J30	153-19 154-19 139-15 140-15 141-15 142-15		160-14 161-14 205-13 206-13 207-13 208-13
48627-95E00	145-4 146-4 145-5 146-5 139-5 140-5 141-5 142-5 143-5 144-5	48864-93J01	154-15 144-15 153-14 154-14		209-13 210-13 211-14 155-12 156-12 157-12 158-12
48630-96J02		48864-96J10			
48630-98J01					
48633-93J00	139-6 140-6 141-6 142-6 143-6 144-6	50000			
		51111-93J03-0EP	155-1 156-1 157-1 158-1 159-1		155-13 156-13 157-13 158-13 159-13 160-13

PART NO.	FIG.NO.-REF.NO.	PART NO.	FIG.NO.-REF.NO.	PART NO.	FIG.NO.-REF.NO.
	161-13		211-16		163-9
51140-93J10-0EP	155-18-2	52111-93J11-0EP	162-1		164-13
	161-18		163-1		165-13
51140-98J00-0EP	155-18-1		164-1		166-13
	156-18		165-1		167-13
	157-18		166-1		168-8
	158-18		167-1	54160-93J01	162-10
	159-18	52111-93J20-0EP	168-1		163-10
	160-18		169-1		164-14
51142-93J00	155-19	52131-93J00-0EP	164-7		165-14
	156-19		165-7		166-14
	157-19		166-7		167-14
	158-19		167-7		168-9
	159-19	54121-93J20	161-40	54160-98J00	169-9
	160-19	54121-98J00	155-33	54165-98J00	162-18
	161-19		156-33		163-18
	205-14		157-33		164-22
	206-14		158-33		165-22
	207-14		159-33		166-22
	208-14		160-33		167-22
	209-14	54123-93J02	155-25		168-17
	210-14		156-25		169-17
51151-93J00	211-15		157-25	54211-93J00-0EP	162-15
	155-21		158-25		163-15
	156-21		159-25		164-19
	157-21		160-25		165-19
	158-21		161-25		166-19
	159-21	54125-93J00	155-34		167-19
	160-21		156-34		168-14
	161-21		157-34		169-14
51152-93J00	155-22		158-34	54221-93J00-0EP	162-16
	156-22		159-34		163-16
	157-22		160-34		164-20
	158-22	54130-93J01	155-26		165-20
	159-22		156-26		166-20
	160-22		157-26		167-20
	161-22		158-26		168-15
51211-93J00	155-6		159-26		169-15
	156-6		160-26	55110-93J20-0EP	170-1
	157-6		161-26		172-1
	158-6	54137-93J02	155-30		174-1
	159-6		156-30	55110-93J30-0EP	171-1
	160-6		157-30		173-1
	161-6		158-30		175-1
	205-15		159-30	55110-98J01-0EP	176-1
	206-15		160-30	55125-98J00-0EP	170-8
	207-15		161-30		171-11
	208-15	54140-98J00	161-39		172-11
	209-15	54150-98J00	169-8		173-14
	210-15	54151-93J00	162-9		174-11

PART NO.	FIG.NO.-REF.NO.	PART NO.	FIG.NO.-REF.NO.	PART NO.	FIG.NO.-REF.NO.
	175-14		175-18		88-1-1
55125-98J10	176-12		176-16		89-1-1
55127-87D00	170-16	55321-94910	123-22		90-1-1
	171-19		124-22		91-1-1
	172-19		125-22	57110-93J10	88-1-2
	173-22		126-22		89-1-2
	174-19		127-22		90-1-2
	175-22		128-22		91-1-2
	176-21		129-18	57110-96J20	86-1-2
55128-93J10	170-10		130-18	57110-98J21	92-1
	171-13	55332-87D11	170-14	57130-87D10	162-4
	172-13		171-17		163-4
	173-16		172-17		164-4
	174-13		173-20		165-4
	175-16		174-17		166-4
	176-14		175-20		167-4
55320-94900	123-15	55332-98J00	176-9	57133-93J00	86-2
	124-15	55333-87D10	170-15		87-2
	125-15		171-18		88-2
	126-15		172-18		89-2
	127-15		173-21		90-2
	128-15		174-18		91-2
	129-12		175-21	57133-98J00	92-2
	130-12	55333-98J00	176-10	57134-93J00	86-3
55321-87J00	1-16	56120-93J03-0EP	86-26		87-3
	2-16		88-26		88-3
	3-16		90-26		89-3
	4-16	56120-93J13-0EP	87-27		90-3
	5-16		89-27		91-3
	6-16		91-27		92-3
	7-15	56120-98J00-0EP	92-26	57300-93841	86-6
	39-6	56123-93J00	92-31		88-6
	71-2-1	56130-93J01	86-33		90-6
	92-38		87-34	57300-93852	87-6
55321-87J10	71-2-2		88-33		89-6
55321-93J00	162-22		89-34		91-6
	163-22		90-33	57300-98880	92-6
	164-26-1		91-34	57500-87852	86-13
	164-26-2		92-35		88-13
	165-26-1	56140-93J01	86-36		90-13
	165-26-2		88-36	57500-87861	86-10
	166-26-1		90-36		88-10
	166-26-2	56140-93J10	87-37		90-10
	167-26-1		89-37	57610-93J00	86-17
	167-26-2		91-37		88-17
	170-12	56145-93J00	171-3		90-17
	171-15		173-3	57610-93J20	87-15
	172-15		175-3		89-15
	173-18	57110-93J00	86-1-1		91-15
	174-15		87-1	57610-98J20	92-14

PART NO.	FIG.NO.-REF.NO.	PART NO.	FIG.NO.-REF.NO.	PART NO.	FIG.NO.-REF.NO.
57621-93J10	86-18		172-23-2		174-23-9
	88-18		174-23-2		176-22-9
	90-18		176-22-2	58200-96J10	170-20-10
57621-93J20	87-16	58200-93L20	170-20-3		172-23-10
	89-16		172-23-3		174-23-10
	91-16		174-23-3		176-22-10
57621-98J10	92-15		176-22-3	58200-96J20	170-20-11
57622-93J00	87-23	58200-93L30	170-20-4		172-23-11
	89-23		172-23-4		174-23-11
	91-23		174-23-4		176-22-11
57630-92E00	170-27		176-22-4	58200-96J30	170-20-12
	171-30	58200-93L40	170-20-5		172-23-12
	172-30		172-23-5		174-23-12
	173-33		174-23-5		176-22-12
	174-30		176-22-5	58200-96J40	170-20-13
	175-33	58200-93L50	170-20-6		172-23-13
	176-30		172-23-6		174-23-13
57631-93J00	86-20		174-23-6		176-22-13
	87-18		176-22-6	58200-96J50	170-20-14
	88-20	58200-93L60	170-20-7		172-23-14
	89-18		172-23-7		174-23-14
	90-20		174-23-7		176-22-14
	91-18		176-22-7	58200-96JA0	171-23-8
57631-98J10	92-18	58200-93L70	170-20-8		173-26-8
57632-93J21	176-24		172-23-8		175-26-8
57632-93L00	170-22		174-23-8	58200-96JB0	171-23-9
	171-25		176-22-8		173-26-9
	172-25	58200-93LA0	171-23-1		175-26-9
	173-28		173-26-1	58200-96JC0	171-23-10
	174-25		175-26-1		173-26-10
	175-28	58200-93LB0	171-23-2		175-26-10
57633-87D30	170-23		173-26-2	58200-96JD0	171-23-11
	171-26		175-26-2		173-26-11
	172-26	58200-93LC0	171-23-3		175-26-11
	173-29		173-26-3	58200-96JE0	171-23-12
	174-26		175-26-3		173-26-12
	175-29	58200-93LD0	171-23-4		175-26-12
	176-26		173-26-4	58200-96JF0	171-23-13
58105-93J10	170-21		175-26-4		173-26-13
	171-24	58200-93LE0	171-23-5		175-26-13
	172-24		173-26-5		
	173-27		175-26-5		
	174-24	58200-93LF0	171-23-6		
	175-27		173-26-6		
	176-23		175-26-6		
58200-93L00	170-20-1	58200-93LG0	171-23-7	61112-93J20	185-2
	172-23-1		173-26-7		186-2
	174-23-1		175-26-7		187-2
	176-22-1	58200-96J00	170-20-9		188-2
58200-93L10	170-20-2		172-23-9		189-2

60000

PART NO.	FIG.NO.-REF.NO.	PART NO.	FIG.NO.-REF.NO.	PART NO.	FIG.NO.-REF.NO.
	190-2		186-3		186-26
	191-2		187-3	61435-93J42	187-26
61124-93J40	177-33		188-3		188-26
	178-33		189-3	61435-93J52	189-26
	179-33		190-3		190-26
	180-33		191-3		191-26
	181-33	61420-93824-0EP	191-1	61436-93J00	62-46
	182-33	61420-93835-0EP	185-1		63-46
	183-33		186-1	61436-93J10	64-65
	184-33	61420-93845-0EP	187-1		65-65
	177-1		188-1		66-65
61131-93J01-0EP	178-1	61420-93854-0EP	189-1		67-65
	179-1		190-1		68-65
	180-1	61422-93J52	185-25	61438-93J00	185-8
	181-1		186-25		185-9
	182-1	61422-93J62	187-25		185-10
61131-93J20-0EP	183-1		188-25		186-8
	184-1	61422-93J72	189-25		186-9
61134-93J20	177-8		190-25		186-10
	178-8		191-25		187-8
	179-8	61424-93J00	191-28		187-9
	180-8	61431-93J03-0EP	185-4		187-10
	181-8		186-4		188-8
	182-8		187-4		188-9
	183-8		188-4		188-10
	184-8		189-4		189-8
61137-93J00	177-3		190-4		189-9
	178-3		191-4		189-10
	179-3	61432-93J01	185-5		190-8
	180-3		186-5		190-9
	181-3		187-5		190-10
	182-3		188-5		191-8
	183-3		189-5		191-9
	184-3		190-5		191-10
61141-93J01-0EP	177-2		191-5	61439-93J20	185-11
	178-2	61433-93J01	185-6		186-11
	179-2		186-6		187-11
	180-2		187-6		188-11
	181-2		188-6		189-11
	182-2		189-6		190-11
61141-93J20-0EP	183-2		190-6		191-11
	184-2		191-6	61439-93J40	185-12
61155-93J20	155-7	61434-93J01	185-7		186-12
	156-7		186-7		187-12
	157-7		187-7		188-12
	158-7		188-7		189-12
	159-7		189-7		190-12
	160-7		190-7		191-12
	161-7		191-7	61443-93J20	191-23
61416-93J00	185-3	61435-93J32	185-26	61443-93J32	185-23

PART NO.	FIG.NO.-REF.NO.	PART NO.	FIG.NO.-REF.NO.	PART NO.	FIG.NO.-REF.NO.
	186-23	61632-93J00	177-20		179-25
	187-23		178-20		180-25
	188-23		179-20		181-25
	189-23		180-20		182-25
	190-23		181-20		183-25
61446-87L12	185-27		182-20		184-25
	186-27		183-20	61649-93J00	177-39
	187-27		184-20		178-39
	188-27	61633-93J00-0EP	177-21		179-39
61446-93J32	189-27		178-21		180-39
	190-27		179-21		181-39
	191-27		180-21		182-39
61453-93J20	191-24		181-21		183-39
61453-93J32	185-24		182-21		184-39
	186-24		183-21	61673-93J01	177-26
	187-24		184-21		178-26
	188-24	61634-93J00-0EP	177-22		179-26
	189-24		178-22		180-26
	190-24		179-22		181-26
61458-99E31	185-29		180-22		182-26
	186-29		181-22		183-26
	187-29		182-22		184-26
	188-29		183-22	61811-93J30-0EP	183-6
	189-29		184-22		184-6
	190-29	61639-93J00	177-38	61811-93J40-0EP	177-6
61472-93E32	191-30		178-38		178-6
61476-93J00	15-7		179-38		179-6
	185-13		180-38		180-6
	186-13		181-38		181-6
	187-13		182-38		182-6
	188-13		183-38	61817-93J00	177-10
	189-13		184-38		178-10
	190-13	61641-93J10	177-23		179-10
	191-13		178-23		180-10
61493-93J00	15-9		179-23		181-10
61494-96J00	15-10		180-23		182-10
61610-93J00	185-18		181-23		183-10
	186-18		182-23		184-10
	187-18		183-23	61821-93J10-0EP	177-7
	188-18		184-23		178-7
	189-18	61641-93J20	177-24		179-7
	190-18		178-24		180-7
	191-18		179-24		181-7
61621-93J00	185-19		180-24		182-7
	186-19		181-24		183-7
	187-19		182-24		184-7
	188-19		183-24	61827-93J02	177-12
	189-19		184-24		178-12
	190-19	61645-93J01-0EP	177-25		179-12
	191-19		178-25		180-12

PART NO.	FIG.NO.-REF.NO.	PART NO.	FIG.NO.-REF.NO.	PART NO.	FIG.NO.-REF.NO.
	181-12		203-23		67242-92E50
	182-12	67228-92E00	199-18		67243-92E00
	183-12		201-18		199-46
	184-12		203-17		201-44
	177-15		197-20	67243-95600	197-24
61831-93J13-0EP	178-15	67229-95600	199-20		67244-95600
	179-15		201-20		197-25
	180-15	67230-92E00	203-19		199-23
	181-15		199-43		201-23
	182-15	67231-92E00	201-41		201-22
	183-15		203-40		203-22
	184-15		203-43		197-26
	69-7	67232-92E50	197-21		67245-95600
63610-93J00	192-4	67232-95600	199-44		67246-92E00
65770-93J02	197-57		201-42		199-37
67140-95600	197-1		203-41		201-36
67200-93J06	200-1	67232-95620	199-29		203-34
67200-93J13	201-1		201-28		203-34
	198-1	67233-92E00	199-27		67251-92E50
67200-93J23	199-1		201-26		67251-93J00
	202-1		203-27		198-11
67211-92E50	203-1	67234-92E00	199-22		200-12
67211-93J00	202-29		201-22		197-27
67211-93J10	200-27		203-21		67251-99E10
67212-95600	198-26	67235-92E00	199-28		67252-92E00
67212-95600	197-14		201-27		199-40
67213-92E00	197-15		203-28		201-39
67220-95630	197-18	67236-92E00	199-33		203-38
67221-92E00	199-8		201-32		197-28
	201-8		203-30		67253-92E00
67221-92E50	203-7	67237-92E01	199-34		198-14
67222-92E00	199-2		201-33		200-15
	201-2		203-31		67253-92E10
67222-92E50	203-2	67238-87D00	197-22		199-39
67223-92E00	199-3	67238-92E00	199-35		201-38
	201-3		201-34		203-37
67223-92E50	203-6	67238-92E50	203-32		67253-95600
67223-99E10	197-19	67239-92E00	199-36		197-29
67224-92E00	199-9		201-35		199-42
	201-9		203-33		201-40
67224-92E50	203-8	67239-92E10	199-47		203-39
67225-92E00	203-25		201-45		67254-92E50
67225-92E50	203-9		203-29		67255-92E50
67226-92E00	199-15	67240-92E00	199-17		67255-99E00
	201-15		201-17		67256-92E50
67226-92E10	199-16	67240-92E50	203-16		197-31
	201-16	67241-92E10	199-45		198-10
	203-14		201-43		200-11
67227-92E00	199-24	67241-92E50	203-42		202-12
	201-24	67241-99E10	197-23		67257-99E00
					197-32
					67258-99E00
					197-33
					67259-87D00
					197-34
					67261-92E50
					202-10
					67261-93J00
					198-2
					200-2
					67261-99E00
					197-35
					67263-93J00
					198-3
					200-3
					67264-95600
					197-37
					67267-93J00
					197-38
					67269-92E00
					199-30

PART NO.	FIG.NO.-REF.NO.	PART NO.	FIG.NO.-REF.NO.	PART NO.	FIG.NO.-REF.NO.
67271-92E00	201-29		199-5		178-46
	198-25		201-5		179-46
	200-26		203-3		180-46
67272-92E10	199-48	67294-92E00	199-10		181-46
67273-92E00	200-23		201-10		182-46
67273-92E10	198-23		203-11		183-46
67273-95600	197-39	67294-95600	197-43		184-46
	198-22	67295-92E00	198-24	67320-93J00	197-58-1
	200-22		200-8	67320-93J10	197-58-2
	202-25	67295-92E10	198-5	67320-93J20	197-58-3
67274-92E00	199-41		200-5	67320-93J30	197-58-4
	200-24		202-4	67320-93J40	197-58-5
67274-92E50	202-28	67295-92E50	202-18	67320-93J50	197-58-6
67275-95600	197-40	67296-88D10	198-6	67320-93J60	197-58-7
	198-21		199-13	67320-93J70	197-58-8
	200-21		199-31	67320-93J80	197-58-9
	202-24		200-6	67341-93J20	177-34
67281-93J00	200-17		201-13		178-34
67282-93J00	198-17		201-30		179-34
67283-92E50	202-26		202-15		180-34
67284-92E50	202-27		203-24		181-34
67286-92E00	199-19	67296-88D20	202-17		182-34
	201-19	67296-88D30	202-21		183-34
	203-18	67296-90J00	197-44		184-34
67287-92E00	198-20	67296-92E11	197-17	67343-93J20	177-40
	200-20		199-12		178-40
67287-92E10	199-49		201-12		179-40
67287-92E50	202-19		203-13		180-40
67288-92E00	197-41	67296-92E20	199-14		181-40
	199-4		201-14		182-40
	201-4		203-15		183-40
67288-92E10	199-6	67296-92E30	198-18		184-40
	201-6		200-18	67345-93J00	177-35
	203-4	67296-92E60	198-12		178-35
67288-92E20	198-7		200-13		179-35
	200-7	67296-92E70	198-8		180-35
	202-14		198-27		181-35
67288-92E30	198-13		200-9		182-35
	200-14		200-28		183-35
67288-92E40	198-9	67296-92E80	199-50		184-35
	200-10	67296-94300	197-45	67361-93J00	177-47
67288-92E60	202-6	67296-94310	197-36		178-47
67288-92E70	202-16		202-3		179-47
67291-92E00	199-7	67296-95600	197-46		180-47
	201-7	67296-95610	197-47		181-47
	203-5		199-26		182-47
67291-92E10	199-38		200-25		183-47
	201-37	67297-95600	197-48		184-47
	203-36	67298-92E50	202-2	67463-95200	69-8
67292-94300	197-42	67300-93J00	177-46	67467-89J01	193-8

PART NO.	FIG.NO.-REF.NO.	PART NO.	FIG.NO.-REF.NO.	PART NO.	FIG.NO.-REF.NO.
67500-93J00	200-29				4-30
67500-93J10	198-28				5-31
67600-93J00	204-1				6-31
67630-93J00	204-5				7-30
67700-93J00	193-1				177-19
67701-87J11	193-3	01500-06167	40-42	01550-05107	178-19
67721-87J00	193-4		41-42		179-19
67721-93J00	204-4		42-42		180-19
67725-93E00	204-6		43-42		181-19
67725-93J00	204-2		44-42		182-19
67725-99E00	193-5		45-42		183-19
67726-93J00	204-3		46-42		184-19
67726-99E00	193-6	01500-06257	40-63	01550-06107	47-23
	204-7		41-63		48-23
67728-99E00	193-7		42-63		49-23
68111-96J00	185-28		43-63		50-23
	186-28		44-63		51-23
	187-28		45-63		52-23
	188-28		46-63		53-23
	189-28	01500-06307	62-37	01550-06127	40-70
	190-28		63-37		41-70
	191-29		64-51		42-70
68165-16B00-13L	197-49		65-51		43-70
69711-93E10	15-8		66-51		44-70
			67-51		45-70
			68-51		46-70
		01547-06167	185-21		71-28
			186-21		94-14
			187-21		95-14
			188-21		96-14
95569-78040	64-26		189-21		97-14
	65-26		190-21		98-14
	66-26		191-21		99-14
	67-26	01547-06257	1-29		100-14
	68-26		2-29		109-17
99011-93J20-03B	205-16-2		3-29		109-22
	206-16-2		4-29		109-24
	207-16-2		5-30		110-17
	208-16-2		6-30		110-22
	209-16-2		7-29		110-24
	210-16-2		62-17		111-17
99011-93J20-054	205-16-1		63-17		111-22
	206-16-1		64-28		111-24
	207-16-1		65-28		112-17
	208-16-1		66-28		112-22
	209-16-1		67-28		112-24
	210-16-1		68-28		113-17
99011-93J30-03B	211-17-1	01547-06507	1-30		113-22
99011-93J30-056	211-17-2		2-30		113-24
			3-30		114-17

PART NO.	FIG.NO.-REF.NO.	PART NO.	FIG.NO.-REF.NO.	PART NO.	FIG.NO.-REF.NO.
	114-22		179-37		28-26
	114-24		180-37		29-25
	115-17		181-37		29-26
	115-22		182-37	01550-06257	30-12
	115-24		183-37		31-12
	116-11		184-37		32-12
	116-17	01550-0616A	70-11		33-12
	117-11	01550-06207	1-4		34-13
	117-17		1-8		35-13
	118-11		2-4		36-13
	118-17		2-8		39-10
	119-11		3-4		40-46
	119-17		3-8		41-46
	120-11		4-4		42-46
	120-17		4-8		43-46
	121-11		5-4		44-46
	121-17		5-8		45-46
	122-11		6-4		46-46
	122-15		6-8		61-35
	185-22		7-4		69-16
	186-22		7-8		101-8
	187-22		8-20		109-7
	188-22		9-20		110-7
	189-22		10-20		111-7
	190-22		11-20		112-7
	191-22		12-20		113-7
01550-06167	62-39		13-20		114-7
	63-39		14-24		115-7
	64-53		15-2	01550-06307	64-29
	65-53		61-33		65-29
	66-53		61-34		66-29
	67-53		72-21		67-29
	68-53		73-21		68-29
	69-15		74-21	01550-06357	40-65
	94-6		75-21		41-65
	94-11		76-21		42-65
	95-6		77-21		43-65
	95-11		78-21		44-65
	96-6		101-10		45-65
	96-11	01550-0620A	23-25		46-65
	97-6		23-26		69-17
	97-11		24-25	01550-06407	15-3
	98-6		24-26	01550-08127	61-25
	98-11		25-25	01550-08167	64-8
	99-6		25-26		65-8
	99-11		26-25		66-8
	100-6		26-26		67-8
	100-11		27-25		68-8
	177-37		27-26	01550-08207	1-18
	178-37		28-25		1-37

PART NO.	FIG.NO.-REF.NO.	PART NO.	FIG.NO.-REF.NO.	PART NO.	FIG.NO.-REF.NO.
	2-18		159-9		48-18
	2-37		159-23		49-18
	3-18		160-9		50-18
	3-37		160-23		51-18
	4-18		161-9		52-18
	4-37		161-23		53-18
	5-18	01550-0830A	23-13	01550-08457	8-25
	5-38		23-17		9-25
	6-18		23-21		10-25
	6-38		24-13		11-25
	7-17		24-17		12-25
	7-37		24-21		13-25
	8-2		25-13		14-29
	9-2		25-17	01550-0845A	70-12
	10-2		25-21	01550-0855A	23-7
	11-2		26-13		24-7
	12-2		26-17		25-7
	13-2		26-21		26-7
	14-2		27-13		27-7
	39-9		27-17		28-7
	93-25		27-21		29-7
	177-14		28-13	01550-08607	1-19
	178-14		28-17		1-20
	179-14		28-21		2-19
	180-14		29-13		2-20
	181-14		29-17		3-19
	182-14		29-21		3-20
	183-14		155-17		4-19
	184-14		156-17		4-20
01550-0820A	64-62		157-17		5-19
	65-62		158-17		5-20
	66-62		159-17		6-19
	67-62		160-17		6-20
	68-62		161-17		7-18
01550-08307	62-40	01550-08357	15-5		7-19
	63-40	01550-0835A	8-24		69-18
	64-54		9-24		155-24
	65-54		10-24		156-24
	66-54		11-24		157-24
	67-54		12-24		158-24
	68-54		13-24		159-24
	93-26		14-28		160-24
	155-9	01550-08407	40-67		161-24
	155-23		41-67	01550-0865A	70-13
	156-9		42-67	01550-0885A	70-14
	156-23		43-67	01550-1025A	16-12
	157-9		44-67		17-12
	157-23		45-67		18-12
	158-9		46-67		19-12
	158-23		47-18		20-12

PART NO.	FIG.NO.-REF.NO.	PART NO.	FIG.NO.-REF.NO.	PART NO.	FIG.NO.-REF.NO.
01550-1050A 01570-06107	21-12	02112-3416B	7-28		185-17
	22-12		62-18		186-14
	71-19		186-18		186-15
	177-43		64-30		186-16
01570-06127	178-43	02112-35087	65-30		186-17
	179-43		66-30		187-14
	180-43		67-30		187-15
	181-43		68-30		187-16
	182-43		62-28		187-17
	183-43		63-28		188-14
	184-43		64-42		188-15
	109-28		65-42		188-16
	110-28		66-42		188-17
	111-28		67-42		189-14
01570-06357	112-28	02112-35167	68-42		189-15
	113-28		116-4		189-16
	114-28		117-4		189-17
	115-28		118-4		190-14
	40-50		119-4		190-15
	41-50		120-4		190-16
02112-0406B	42-50	02142-0408B	121-4	04211-13149	190-17
	43-50		122-4		191-14
	44-50		40-29		191-15
	45-50		41-29		191-16
	46-50		42-29		191-17
	40-56		43-29		23-12
	41-56		44-29		24-12
	42-56		45-29		25-12
	43-56		46-29		26-12
	44-56		72-22		27-12
02112-05107	45-56	02142-05107	73-22	04221-08129	28-12
	46-56		74-22		29-12
	40-30		75-22		86-37
	41-30		76-22		88-37
	42-30		77-22		90-37
	43-30		78-22		171-4
02112-0512A	44-30	02142-06207	38-7	06111-07004	173-4
	45-30	02162-0520B	62-19		175-4
	46-30		63-19		86-23
	64-9		64-31		87-21
	65-9		65-31		88-23
02112-0612A	66-9		66-31	06111-11004	89-21
	67-9		67-31		90-23
	68-9		68-31		91-21
	1-28	03112-06303	194-25		92-19
	2-28	03121-0516A	196-18		86-24
	3-28		196-25		87-22
	4-28	03542-05169	185-14		88-24
5-29		185-15	89-22		
6-29		185-16	90-24		

PART NO.	FIG.NO.-REF.NO.	PART NO.	FIG.NO.-REF.NO.	PART NO.	FIG.NO.-REF.NO.
07130-0510A 07130-0616A	91-22	08316-10087	46-71		123-10-3
	92-20		62-41		124-10-3
	14-18		63-41		125-10-3
	8-14		64-55		126-10-3
08110-60020 08110-62080	9-14		65-55		127-10-3
	10-14		66-55		128-10-3
	11-14		67-55		129-7-2
	12-14		68-55		130-7-2
	13-14		109-2		123-10-2
	14-17		110-2		124-10-2
	70-15		111-2		125-10-2
	23-3		112-2		126-10-2
	24-3		113-2		127-10-2
	25-3		114-2		128-10-2
08113-60100	26-3	08316-1008A	115-2		129-7-1
	27-3		62-45		130-7-1
	28-3		63-45		123-10-1
	86-31		64-63		124-10-1
	88-31		65-63		125-10-1
	90-31		66-63		126-10-1
08113-62100 08211-30382	92-33		67-63		127-10-1
	86-11-1		68-63		128-10-1
	88-11-1		62-5		129-7-3
	90-11-1		63-5		130-7-3
08211-30384	86-11-5		64-14		155-27
	88-11-5		65-14		156-27
	90-11-5		66-14		157-27
	86-11-8		67-14		158-27
08211-30385	88-11-8		68-14		159-27
	90-11-8		72-23		160-27
	86-9		73-23		161-27
	87-9		74-23		162-11
	88-9		75-23		163-11
	89-9		76-23		164-15
08221-16256	90-9		77-23		165-15
	91-9		78-23		166-15
	92-10		102-7		167-15
	109-29		103-7		168-10
	110-29		104-7		169-10
	111-29		105-7		102-14
	112-29		106-7		102-15
	113-29		107-7		108-8
	114-29		09100-08232		197-50
	115-29		09100-12052		170-3
08310-00067	40-71		171-6		108-12
	41-71		172-3		94-12
	42-71		173-6		95-12
	43-71		174-3		96-12
	44-71		175-6		97-12
	45-71		176-5		98-12
	09100-06113		107-7		
	09103-06093		105-7		
08316-10067	40-71		171-6		108-12
	41-71		172-3		94-12
	42-71		173-6		95-12
	43-71		174-3		96-12
44-71	175-6	97-12			
45-71	176-5	98-12			

PART NO.	FIG.NO.-REF.NO.	PART NO.	FIG.NO.-REF.NO.	PART NO.	FIG.NO.-REF.NO.
09103-06278	99-12		95-8		129-13
	100-12		96-8		130-13
	123-21		97-8	09116-06127	177-27
	124-21		98-8		178-27
	125-21		99-8		179-27
	126-21		100-8		180-27
	127-21	09108-08267	62-44		181-27
	128-21		63-44		182-27
	129-16		64-60		183-27
	130-16		65-60		184-27
09103-06281	1-17		66-60	09116-06202	101-7
	2-17		67-60	09116-08122	155-20
	3-17		68-60		156-20
	4-17	09108-08282	37-3		157-20
	5-17	09108-10115	164-8		158-20
	6-17		165-8		159-20
	7-16		166-8		160-20
	39-7		167-8		161-20
	71-4	09108-10150	168-5	09116-08126	155-39
	92-39		169-5		156-39
09103-08109	155-15	09108-12013	164-9		157-39
	156-15		165-9		158-39
	157-15		166-9		159-39
	158-15		167-9		160-39
	159-15	09116-05010	102-22		161-37
	160-15		108-16	09116-08128	71-20
09103-08134	161-15	09116-06094	162-23	09116-08131	54-14
	62-43		163-23		55-14
	63-43		164-27-1		56-14
	64-59		164-27-2		57-14
	65-59		165-27-1		58-14
	66-59		165-27-2		59-14
	67-59		166-27-1		60-17
09103-08182	68-59		166-27-2	09116-08137	170-9
	62-42		167-27-1		171-12
	63-42		167-27-2		172-12
	64-58		170-13		173-15
	65-58		171-16		174-12
	66-58		172-16		175-15
	67-58		173-19		176-13
	68-58		174-16	09116-08158	86-32
09103-08437	37-4		175-19		87-33
09103-12071	94-2		176-17		88-32
	95-2	09116-06121	61-13		89-33
	96-2		123-16		90-32
	97-2		124-16		91-33
	98-2		125-16	09116-10134	155-38
	99-2		126-16		156-38
	100-2		127-16		157-38
09106-05030	94-8		128-16		158-38

PART NO.	FIG.NO.-REF.NO.	PART NO.	FIG.NO.-REF.NO.	PART NO.	FIG.NO.-REF.NO.	
					159-38	
					160-38	
09116-10135					161-36	
					155-31	
					156-31	
					157-31	
					158-31	
					159-31	
					160-31	
					161-31	
					162-21	
09116-10137					167-21	
					168-16	
					169-16	
			09116-10176		162-2	
					163-2	
					164-2	
09116-10146					165-2	
					71-22	
					155-37	
					156-37	
					157-37	
					158-37	
					159-37	
					160-37	
					161-35	
09116-10150					170-4	
					171-7	
					172-4	
					173-7	
					174-4	
					175-7	
09116-10174					176-6	
					145-19	
					146-19	
	09116-10175					71-21
						139-29
					140-29	
					141-29	
					142-29	
					143-29	
					144-29	
					155-32	
					155-36	
					156-32	
					156-36	
					157-32	
					157-36	
					158-32	
					158-36	
					159-32	
					159-36	
					161-34	
					162-17	
					163-17	
					164-21	
					165-21	
					166-21	
					167-21	
					168-16	
					169-16	
					162-2	
					163-2	
					164-2	
					165-2	
					166-2	
					167-2	
					169-2	
					92-34	
					177-16	
					178-16	
					179-16	
					180-16	
					181-16	
					182-16	
					183-16	
					184-16	
					69-9	
					203-26	
					202-7	
					197-16	
					199-21	
					201-21	
					203-20	
					145-26	
					146-26	
					198-29	
					200-30	
					102-9	
					103-9	
					104-9	
					105-9	
					106-9	
					107-9	
					123-5	
					123-25	
					124-5	
					124-25	
					125-5	
					125-25	
					126-5	
					126-25	
					127-5	
					127-25	
					128-5	
					128-25	
					131-8	
					131-18	
					132-8	
					132-18	
					133-8	
					133-18	
					134-8	
					134-18	
					135-8	
					135-18	
					136-8	
					136-18	
					137-7	
					137-14	
					137-20	
					137-26	
					138-7	
					138-14	
					138-20	
					138-26	
					139-34	
					139-35	
					139-36	
					140-34	
					140-35	
					140-36	
					141-34	
					141-35	
					141-36	
					142-34	
					142-35	
					142-36	
					143-34	
					143-35	
					143-36	
					144-34	
					144-35	
					144-36	
					145-25	
					146-25	
					162-6	

PART NO.	FIG.NO.-REF.NO.	PART NO.	FIG.NO.-REF.NO.	PART NO.	FIG.NO.-REF.NO.
	162-8	09139-06136	177-5		124-18
	163-6		178-5		125-18
	163-8		179-5		126-18
	164-6		180-5		127-18
	164-12		181-5		128-18
	165-6		182-5	09159-14026	155-28
	165-12	09140-05005	69-10		156-28
	166-6		198-31		157-28
	166-12		200-32		158-28
	167-6	09140-06020	197-52		159-28
	167-12		199-32		160-28
	168-7		201-31		161-28
	168-20		203-10		162-13
	169-7	09140-10032	131-19		163-13
	169-20		132-19		164-17
09126-05003	197-51		133-19		165-17
09126-06006	199-25		134-19		166-17
	201-25		135-19		167-17
09132-04034	54-15		136-19		168-12
	55-15		137-21		169-12
	56-15		138-21	09159-22006	123-8
	57-15	09140-16021	86-8		124-8
	58-15		87-8		125-8
	59-15		88-8		126-8
	60-18		89-8		127-8
09136-06148	177-11		90-8		128-8
	178-11		91-8		129-5
	179-11	09140-16026	92-9		130-5
	180-11	09141-18005	170-24	09159-28003	86-4
	181-11		171-27		87-4
	182-11		172-27		88-4
	183-5		173-30		89-4
	183-11		174-27		90-4
	184-5		175-30		91-4
	184-11		176-27		92-4
09136-06161	183-4	09159-08136	37-5	09160-05024	198-19
	184-4	09159-10116	14-12		200-19
09137-04004	116-6	09159-12014	172-8	09160-05029	116-3
	117-6		173-11		117-3
	118-6		174-8		118-3
	119-6		175-11		119-3
	120-6	09159-12062	123-11		120-3
	121-6		124-11		121-3
	122-6		125-11		122-3
09139-06135	177-4		126-11		198-30
	178-4		127-11		200-31
	179-4		128-11	09160-05043	62-29
	180-4		129-8		63-29
	181-4		130-8		64-43
	182-4	09159-14020	123-18		65-43

PART NO.	FIG.NO.-REF.NO.	PART NO.	FIG.NO.-REF.NO.	PART NO.	FIG.NO.-REF.NO.
	66-43		84-10		167-23
	67-43	09160-10104	16-11		168-18
	68-43		17-11		169-18
09160-06036	62-38		18-11	09160-15051	155-29
	63-38		19-11		156-29
	64-52		20-11		157-29
	65-52		21-11		158-29
	66-52		22-11		159-29
	67-52	09160-10141	168-6		160-29
	68-52		169-6		161-29
09160-06047	177-41		172-5	09160-16050	162-12
	178-41		173-8		162-14
	179-41		174-5		163-12
	180-41		175-8		163-14
	181-41	09160-12066	170-5		164-16
	182-41		171-8		164-18
	183-41		172-6		165-16
09160-06055	184-41		173-9		165-18
09160-06066	193-10		174-6		166-16
09160-06082	69-11		175-9		166-18
	131-20		176-8		167-16
	132-20	09160-13014	177-28		167-18
	133-20		178-28		168-11
	134-20		179-28		168-13
	135-20		180-28		169-11
	136-20		181-28		169-13
	137-22		182-28	09160-18028	170-25
	138-22		183-28		171-28
09160-06084	40-61		184-28		172-28
	41-61	09160-13016	123-13		173-31
	42-61		124-13		174-28
	43-61		125-13		175-31
	44-61		126-13		176-28
	45-61		127-13	09160-18031	8-8
	46-61		128-13		9-8
09160-06094	72-10		129-9		10-8
	73-10		130-9		11-8
	74-10	09160-13017	123-12		12-8
	75-10		124-12		13-8
	76-10		125-12		14-10
	77-10		126-12	09160-25080	92-16
	78-10		127-12	09160-30036	86-11-2
	197-53		128-12		88-11-2
09160-06104	202-20		129-10		90-11-2
09160-08016	37-6		130-10	09160-30037	86-11-3
09160-08151	79-10	09160-14066	162-19		88-11-3
	80-10		163-19		90-11-3
	81-10		164-23	09160-30038	86-11-4
	82-10		165-23		88-11-4
	83-10		166-23		90-11-4

PART NO.	FIG.NO.-REF.NO.	PART NO.	FIG.NO.-REF.NO.	PART NO.	FIG.NO.-REF.NO.
09160-30039	86-11-6 88-11-6 90-11-6	09160-35013	87-10-2 89-10-2 91-10-2		42-17 43-17 44-17
09160-30041	86-11-7 88-11-7 90-11-7	09160-35014 09160-35015	92-11-3 92-11-2 87-10-1		45-17 46-17 1-13
09160-30042	86-11-9 88-11-9 90-11-9		89-10-1 91-10-1 92-11-1	09168-16009	2-13 3-13 4-13
09160-30043	86-11-10 88-11-10 90-11-10	09160-37006 09160-39001	176-25 131-9 132-9		5-13 6-13 7-12
09160-30044	86-11-11 88-11-11 90-11-11		133-9 134-9 135-9	09169-05018	64-7 65-7 66-7
09160-30055	87-24 89-24 91-24		136-9 137-8 138-8		67-7 68-7 40-15
09160-30056	92-25 87-25 89-25	09160-75002	86-12 87-11 88-12	09169-06062	40-62 41-15 41-62
09160-35002	91-25 92-23 87-10-6		89-11 90-12 91-11		42-15 42-62 43-15
09160-35003	89-10-6 91-10-6 92-11-6	09162-10005	139-26 140-26 141-26		43-62 44-15 44-62
09160-35004	87-10-8 89-10-8 91-10-8		142-26 143-26 144-26		45-15 45-62 46-15
09160-35006	92-11-8 87-10-4 89-10-4	09164-14008	145-21 146-21 177-29		46-62 101-5 109-4
09160-35008	91-10-4 87-10-5 89-10-5		178-29 179-29 180-29		110-4 111-4 112-4
09160-35009	91-10-9 92-11-4 87-10-7		181-29 182-29 183-29		113-4 114-4 115-4
09160-35010	89-10-7 91-10-7 92-11-5	09168-10034	184-29 170-11 171-14	09169-08038	155-40 156-40 157-40
	87-10-9 89-10-9 91-10-9		172-14 173-17 174-14		158-40 159-40 160-40
	92-11-7 87-10-3 89-10-3		175-17 176-15 71-15	09169-08039	161-38 177-17 178-17
	91-10-3 92-11-9	09168-12012 09168-12013	40-17 41-17		179-17 180-17

PART NO.	FIG.NO.-REF.NO.	PART NO.	FIG.NO.-REF.NO.	PART NO.	FIG.NO.-REF.NO.
	181-17 182-17 183-17		90-14-1 92-12-1 92-13-1	09181-50020	92-8-3 86-7-4 87-7-4
	184-17 40-66 41-66	09181-50021	92-12-2 92-13-2 92-12-3		87-12-4 88-7-4 89-7-4
09169-08042	42-66 43-66 44-66	09181-50022	92-13-3 92-12-4 92-13-4		89-12-4 90-7-4 91-7-4
	45-66 46-66 137-11	09181-50024	92-12-5 92-13-5 92-12-6		91-12-4 92-8-4 86-7-5
09169-28003	138-11 69-12 69-13	09181-50025	92-13-6 92-13-7 92-12-8	09181-60008	87-7-5 87-12-5 88-7-5
09180-06186	88-25 90-25 70-9	09181-50026	92-12-7 92-13-7 92-12-8		89-7-5 89-12-5 90-7-5
09180-06230	88-25 90-25 70-9	09181-50027	92-13-8 92-12-9 92-13-9		91-7-5 91-12-5 92-8-5
09180-25082	131-10 132-10 133-10	09181-50028	92-12-10 92-13-10 86-7-1		87-7-6 87-12-6 88-7-6
09181-12158	134-10 135-10 136-10	09181-50029	87-7-1 87-12-1 88-7-1	09181-60009	87-7-6 87-12-6 88-7-6
09181-39001	137-9 138-9 86-14-3		89-7-1 89-12-1 90-7-1		89-7-6 89-12-6 90-7-6
09181-50005	88-14-3 90-14-3 86-14-4	09181-60004	91-7-1 91-12-1 92-8-1		91-7-6 91-12-6 92-8-6
09181-50006	88-14-4 90-14-4 86-14-5	09181-60005	86-7-2 87-7-2 87-12-2	09181-60010	86-7-7 87-7-7 87-12-7
09181-50007	88-14-5 90-14-5 86-14-6		88-7-2 89-7-2 89-12-2		88-7-7 89-7-7 89-12-7
09181-50008	88-14-6 90-14-6 86-14-7	09181-50007	90-7-2 91-7-2 91-12-2		90-7-7 91-7-7 91-12-7
09181-50009	88-14-7 90-14-7 86-14-8	09181-50008	92-8-2 86-7-3 87-7-3		92-8-7 86-7-8 87-7-8
09181-50010	88-14-8 90-14-8 86-14-2	09181-50009	87-12-3 88-7-3 89-7-3		87-12-8 88-7-8 89-7-8
09181-50012	88-14-2 90-14-2 86-14-1	09181-60006	91-7-2 91-12-2 92-8-2	09181-60011	86-7-8 87-7-8 87-12-8
09181-50013			86-7-3 87-7-3 87-12-3		88-7-8 89-7-8 89-12-8

PART NO.	FIG.NO.-REF.NO.	PART NO.	FIG.NO.-REF.NO.	PART NO.	FIG.NO.-REF.NO.
09181-60012	92-8-8	09181-75013	91-13-3	09202-06031	35-9
	86-7-9		86-15-4		36-9
	87-7-9		87-13-4		54-16
	87-12-9		88-15-4		55-16
	88-7-9		89-13-4		56-16
09181-60013	89-7-9	09181-75014	90-15-4	09202-08006	57-16
	89-12-9		91-13-4		58-16
	90-7-9		86-15-6		59-16
	91-7-9		87-13-6		60-19
	91-12-9		88-15-6		94-3
	92-8-9		89-13-6		95-3
	86-7-10		90-15-6		96-3
09181-75008	87-7-10	09181-75015	91-13-6	09206-13019	97-3
	87-12-10		86-15-8		98-3
	88-7-10		87-13-8		99-3
	89-7-10		88-15-8		100-3
	89-12-10		89-13-8		71-17
09181-75009	90-7-10	09181-75016	90-15-8	09205-02006	71-18
	91-7-10		91-13-8		162-3
	91-12-10		86-15-10		163-3
	92-8-10		87-13-10		164-3
	86-15-5		88-15-10		164-10
09181-75010	87-13-5	09181-75018	89-13-10	09206-03001	165-3
	88-15-5		90-15-10		165-10
	89-13-5		91-13-10		166-3
	90-15-5		86-15-1		166-10
	91-13-5		87-13-1		167-3
09181-75011	86-15-7	09181-75019	88-15-1	09206-08001	167-10
	87-13-7		89-13-1		168-3
	88-15-7		90-15-1		169-3
	89-13-7		91-13-1		170-7
	90-15-7		86-15-2		171-10
09181-75012	91-13-7	09202-04022	87-13-2	09202-08007	172-10
	86-15-9		88-15-2		173-13
	87-13-9		89-13-2		174-10
	88-15-9		90-15-2		175-13
	89-13-9		91-13-2		176-11
09181-75011	90-15-9	09202-05032	177-30	09202-08011	86-19
	91-13-9		178-30		87-17
	86-15-11		179-30		88-19
	87-13-11		180-30		89-17
	88-15-11		181-30		90-19
09181-75012	89-13-11	09202-05032	182-30	09204-01004	91-17
	90-15-11		183-30		92-17
	91-13-11		184-30		62-25
	86-15-3		30-8		63-25
	87-13-3		31-8		64-39
09181-75012	88-15-3	09202-05032	32-8	09204-01004	65-39
	89-13-3		33-8		66-39
	90-15-3		34-9		67-39
	86-15-3		30-8		63-25
	87-13-3		31-8		64-39

PART NO.	FIG.NO.-REF.NO.	PART NO.	FIG.NO.-REF.NO.	PART NO.	FIG.NO.-REF.NO.
09204-01006	68-39	09204-01006	6-7	09204-03003	74-13
	72-11		6-28		75-13
	73-11		7-3		76-13
	74-11		7-7		77-13
	75-11		7-27		78-13
09204-03003	76-11	09206-13019	155-8	09248-18006	8-9
	77-11		155-16		9-9
	78-11		156-8		10-9
	131-21		156-16		11-9
	132-21		157-8		12-9
	133-21		157-16		13-9
	134-21		158-8		14-11
09205-02006	135-21	09205-04002	158-16	09248-26001	8-7
	136-21		159-8		9-7
	137-23		159-16		10-7
	138-23		160-8		11-7
	170-26		160-16		12-7
09205-04002	171-29	09205-10006	161-8	09250-21003	13-7
	172-29		161-16		14-9
	173-32		8-10		177-48
	174-29		9-10		178-48
	175-32		10-10		179-48
09205-10006	176-29	09206-14004	11-10	09251-09002	180-48
	79-4		12-10		181-48
	80-4		13-10		182-48
	81-4		14-13		183-48
	82-4		1-21		184-48
09206-03001	83-4	09206-08001	2-21	09260-10005	109-26
	84-4		3-21		110-26
	85-4		4-21		111-26
	72-12		5-21		112-26
	73-12		6-21		113-26
09206-08001	74-12	09246-05006	7-20	09261-05006	114-26
	75-12		8-17		115-26
	76-12		9-17		192-1
	77-12		10-17		72-14
	78-12		11-17		73-14
09206-14004	176-4	09247-14041	12-17	09262-17019	74-14
	1-3		13-17		75-14
	1-7		14-21		76-14
	2-3		47-11		77-14
	2-7		48-11		78-14
09248-12009	3-3	09248-12011	49-11	09262-17019	30-9
	3-7		50-11		31-9
	4-3		51-11		32-9
	4-7		52-11		33-9
	5-3		53-11		34-10
09248-12011	5-7	09248-12011	71-16	09262-17019	35-10
	5-28		72-13		36-10
	6-3		73-13		72-15

PART NO.	FIG.NO.-REF.NO.	PART NO.	FIG.NO.-REF.NO.	PART NO.	FIG.NO.-REF.NO.
	73-15		90-5	09280-29006	62-16
	74-15		91-5		63-16
	75-15		92-5		64-27
	76-15	09269-75002	86-16		65-27
	77-15		87-14		66-27
	78-15		88-16		67-27
09262-40017	29-3		89-14		68-27
09262-40018	23-2		90-16	09280-40016	85-10
	24-2		91-14	09280-60007	79-11
	25-2	09280-00040	86-28		80-11
	26-2		87-29		81-11
	27-2		88-28		82-11
	28-2		89-29		83-11
	29-2		90-28		84-11
09262-60002	87-38		91-29	09280-66004	86-34
	89-38		92-28		87-35
	91-38	09280-06005	14-20		88-34
09263-25067	92-7	09280-09008	71-27		89-35
09263-30023	86-27	09280-10009	8-12		90-34
	87-28		9-12		91-35
	88-27		10-12		92-36
	89-28		11-12	09280-70012	23-6
	90-27		12-12		24-6
	91-28		13-12		25-6
	92-27		14-15		26-6
09263-32017	170-2	09280-10016	8-13		27-6
	171-2		9-13		28-6
	172-2		10-13		29-6
	173-2		11-13	09282-08005	79-7
	174-2		12-13		80-7
09263-36004	175-2		13-13		81-7
09263-50009	176-2	09280-22019	14-16		82-7
	86-38		1-15		83-7
	87-32		2-15		84-7
	88-38		3-15	09282-24004	86-35
	89-32		4-15		87-36
	90-38		5-15		88-35
	91-32		6-15		89-36
09265-50001	176-3		7-14		90-35
09265-50002	171-5		39-8		91-36
	173-5		71-5		92-37
	175-5	09280-22020	70-10	09282-30006	86-29
09269-30014	87-26	09280-26006	1-34		87-30
	89-26		2-34		88-29
	91-26		3-34		89-30
	92-24		4-34		90-29
09269-32001	86-5		5-35		91-30
	87-5		6-35		92-29
	88-5		7-34	09282-39001	131-11
	89-5		61-14		132-11

PART NO.	FIG.NO.-REF.NO.	PART NO.	FIG.NO.-REF.NO.	PART NO.	FIG.NO.-REF.NO.
	133-11	09306-10001	72-18		114-6
	134-11		73-18		115-6
	135-11		74-18	09320-11013	177-18
	136-11		75-18		178-18
	137-12		76-18		179-18
	138-12		77-18		180-18
09283-10011	85-7		78-18		181-18
09283-32044	23-4	09306-13007	177-32		182-18
	24-4		178-32		183-18
	25-4		179-32		184-18
	26-4		180-32	09320-12014	61-15
	27-4		181-32	09320-12072	40-34
	28-4		182-32		41-34
	29-4		183-32		42-34
09283-91001	16-13		184-32		43-34
	17-13	09306-17001	145-22		44-34
	18-13		146-22		45-34
	19-13	09306-24001	139-27		46-34
	20-13		140-27	09321-10030	177-13
	21-13		141-27		178-13
	22-13		142-27		179-13
09289-05012	30-21		143-27		180-13
	31-21		144-27		181-13
	32-21	09320-04009	109-5		182-13
	33-21		110-5		183-13
	34-22		111-5		184-13
	35-22		112-5	09329-06002	64-61
	36-22		113-5		65-61
09289-18001	72-16		114-5		66-61
	73-16		115-5		67-61
	74-16	09320-08062	47-12		68-61
	75-16		48-12	09329-10022	185-20
	76-16		49-12		186-20
	77-16		50-12		187-20
	78-16		51-12		188-20
09306-04005	177-31		52-12		189-20
	178-31		53-12		190-20
	179-31	09320-08501	40-12		191-20
	180-31		41-12	09343-75001-600	40-10
	181-31		42-12		40-36
	182-31		43-12		40-48
	183-31		44-12		41-10
	184-31		45-12		41-36
09306-06004	72-17		46-12		41-48
	73-17	09320-09016	101-6		42-10
	74-17		109-6		42-36
	75-17		110-6		42-48
	76-17		111-6		43-10
	77-17		112-6		43-36
	78-17		113-6		43-48

PART NO.	FIG.NO.-REF.NO.	PART NO.	FIG.NO.-REF.NO.	PART NO.	FIG.NO.-REF.NO.
	44-10		65-11	09380-17009	145-23
	44-36		65-33		146-23
	44-48		65-34	09380-21002	139-28
	45-10		66-11		140-28
	45-36		66-33		141-28
	45-48		66-34		142-28
	46-10		67-11		143-28
	46-36		67-33		144-28
	46-48		67-34	09380-38003	131-12
09352-50823-600	40-57		68-11		132-12
	40-58		68-33		133-12
	41-57		68-34		134-12
	41-58	09355-40805-00B	170-17		135-12
	42-57		171-20		136-12
	42-58		172-20		137-10
	43-57		173-23		138-10
	43-58		174-20	09381-22010	16-4
	44-57		175-23		17-4
	44-58		176-18		18-4
	45-57	09360-12008	40-18		19-4
	45-58		41-18		20-4
	46-57		42-18		21-4
	46-58		43-18		22-4
09352-50903-00B	61-23		44-18	09381-40003	86-30
	61-24		45-18		87-31
	195-7		46-18		88-30
09352-50903-600	61-16	09360-14009	47-13		89-31
	61-17		48-13		90-30
	61-18		49-13		91-31
	61-19		50-13		92-30
	61-20		51-13	09383-08004	72-19
	61-21		52-13		73-19
	61-22		53-13		74-19
	195-6	09362-09008	170-18		75-19
09352-70103-600	177-42		171-21		76-19
	178-42		172-21		77-19
	179-42		173-24		78-19
	180-42		174-21	09385-06012	193-9
	181-42		175-24	09387-38002	162-5
	182-42		176-19		163-5
	183-42	09363-08004	40-19		164-5
	184-42		41-19		165-5
09355-35754-00B	64-10		42-19		166-5
	65-10		43-19		167-5
	66-10		44-19	09387-45001	92-32
	67-10		45-19	09401-08412	40-59
	68-10		46-19		41-59
09355-35754-601	64-11	09367-06002	61-26		42-59
	64-33	09367-06006	195-8		43-59
	64-34	09367-10001	192-2		44-59

PART NO.	FIG.NO.-REF.NO.	PART NO.	FIG.NO.-REF.NO.	PART NO.	FIG.NO.-REF.NO.
	45-59	09403-09316	116-13		115-18
	46-59		117-13	09403-25304	61-30
	176-7		118-13	09407-08401	196-4
09401-08413	61-27		119-13		196-20
	195-9		120-13		196-27
09401-11414	40-37		121-13	09407-10404	109-32
	41-37	09403-11315	116-10		110-32
	42-37		117-10		111-32
	43-37		118-10		112-32
	44-37		119-10		113-32
	45-37		120-10		114-32
	46-37		121-10		115-32
09401-11425	47-14		122-10		170-19
	48-14	09403-12412	116-7		171-22
	49-14		117-7		172-22
	50-14		118-7		173-25
	51-14		119-7		174-22
	52-14		120-7		175-25
	53-14		121-7		176-20
09401-13423	47-20		122-7	09407-11401	69-14
	48-20	09403-13408	94-13	09407-14407	102-12
	49-20		95-13		103-12
	50-20		96-13		104-12
	51-20		97-13		105-12
	52-20		98-13		106-12
	53-20		99-13		107-12
	192-3		100-13		108-6
09401-14409	61-28	09403-16307	47-15		109-33
09401-15414	61-37		48-15		110-33
09401-18410	1-32		49-15		111-33
	1-39		50-15		112-33
	2-32		51-15		113-33
	2-39		52-15		114-33
	3-32		53-15		115-33
	3-39	09403-19409	102-10		116-22
	4-32		102-19		122-20
	4-39		103-10		194-6
	5-33		104-10		194-18
	5-40		105-10	09407-25402	177-36
	6-33		106-10		178-36
	6-40		107-10		179-36
	7-32		108-13		180-36
	7-39	09403-20308	102-20		181-36
09401-25406	61-29		108-14		182-36
09403-07340	102-25		109-18		183-36
	103-13		110-18		184-36
	104-13		111-18	09408-00008	61-31
	105-13		112-18		109-20
	106-13		113-18		109-23
	107-13		114-18		110-20

SUZUKI DF200/225/250 PARTS CATALOGUE

SUZUKI MOTOR CORPORATION All rights reserved

No part of this document may be reproduced or transmitted in any form or by any means, electronic or mechanical, for any purpose, without the express written permission of Suzuki Motor Corporation.

SUZUKI MOTOR CORPORATION

Technical Readiness Group, Automobile Field Quality Assurance Department, Quality Control
300 Takatsuka, Minami, Hamamatsu, Japan

Reprint Prohibited

SUZUKI MOTOR CORPORATION