

БОЛЬШОЙ СКЛАД ЗАПЧАСТЕЙ В САНКТ-ПЕТЕРБУРГЕ

Для лодочных моторов Suzuki в наличии все ходовые запчасти, сервисные наборы, расходные материалы, оригинальные аксессуары, оригинальные и не оригинальные гребные винты, “ноги”, тросы для установки на лодку и многое другое.

Найдите в каталоге коды необходимых запчастей

и отправьте их список на Email: parts-katalog@yandex.ru

мы пришлём информацию о цене и наличии

Возможен самовывоз со склада в Санкт-Петербурге

или отправка EMS по России

Наш сайт: www.partskatalog.ru

Контактный телефон: +7 (981) 121-46-93

Особое внимание, обратите на модификацию двигателя. Сверьте серийный номер и скачайте «правильный» каталог запчастей. Не путайте старые моторы серии «Т» и новые серии «А».

PP005883.TIF DF20RSK7(E1) K7 2007 / * CATALOG PREFACE *

PREFACE

When it becomes necessary to replace parts on SUZUKI OUTBOARD MOTORS, always use SUZUKI GENUINE PARTS which have passed a strict inspection which guarantees quality and performance.

This parts catalogue covers the list of all service parts for SUZUKI DF20/25 (R) '06~'10 MODEL and later.

INSTRUCTIONS FOR QUOTING THE CATALOGUE

1. DIMENSIONS

Dimensions of the parts in this catalogue are indicated in unit millimeters.

2. ABBREVIATIONS

Abbreviations used in this catalogue are as follows:

AR	: As required	NT	: Number of teeth
ASSY	: Assembly	OPT	: Optional
E. NO.	: Engine number	OS	: Over size
F. NO.	: Frame number	STD	: Standard
D	: Diameter of material	T	: Thickness
ID	: Inside diameter	US	: Under size
OD	: Outside diameter	W	: Width
L	: Length	W/	: With
LH(PORT)	: Left hand side	S, L	: Transom type
RH(STBD)	: Right hand side	SUS	: Stainless steel
~031234	: Up to E.No. 02502F-031234	PTT	: Power trim and tilt
031234~	: From E.No. 02502F-031234		

$12 \times 34 \times 5.6$ Figures in the description column

| | | show the dimensions of parts.

ID OD T(or W, L)

→12345-56781 (Parts No.) : indicates that the parts number was changed to 12345-56781 and the new parts are interchangeable with the former ones but the former ones are not interchangeable with new ones.

←12345-56781 (Parts No.) : indicates that the former and new parts are interchangeable with each other and both are usable.

3. INNER PARTS OF ASSEMBLY

Part name with a dot (.) in front as shown in the description column indicates the component of the assembly also available individually.

DF25 E1

- 1 -

PP005868.TIF DF20RSK7(E1) K7 2007 / * CATALOG PREFACE *

4. MODIFICATION NOTICE

A parts bulletin will be sent to you on all occasions when changes in parts occur, including interchangeable modifications between new parts and old ones.

5. NOTE

5-1. There are some different parts from those of production models among spare parts for the administrative reasons and common use of them with other models.

5-2. In respect of rubber hoses and vinyl tubes, please be sure to use them by cutting off according to the length mentioned on parts catalogue or what is actually required on the vehicle.

5-3. Note that the drawings on the illustration page are for ready reference of spare parts number, not to be used as an assembly manual. When assembling, use "SUZUKI SERVICE MANUAL".

6. MODEL NAME AND ENGINE NUMBER

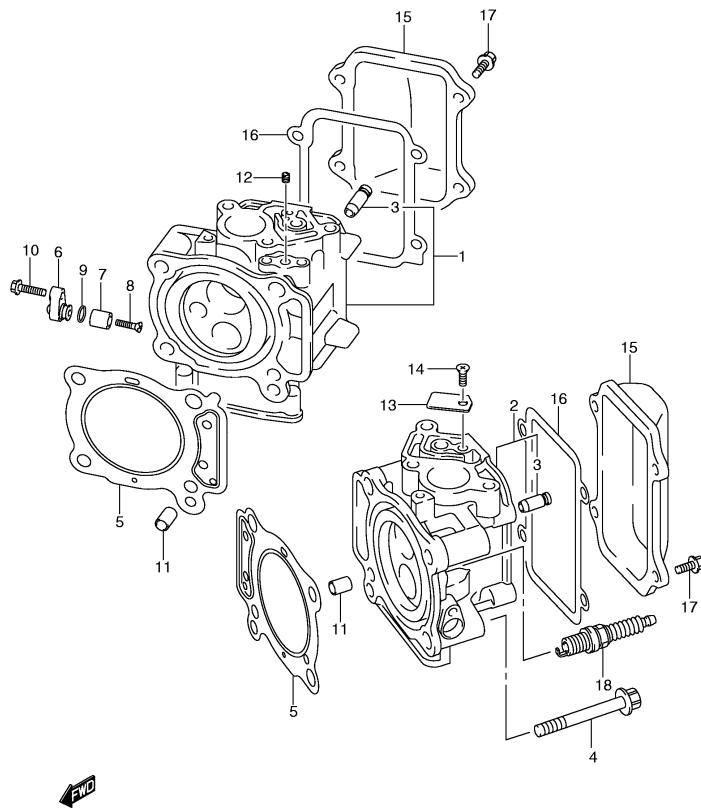
MODEL	YEAR'S	TYPE	TRANSOM	ENGINE No.
DF20RSK7	'07	02001F	S, L	02001F-780001~
DF20RSK8	'08	02001F	S, L	02001F-880001~
DF25 (R) SK6	'06	02502F	S, L	02502F-680001~
DF25 (R) SK7	'07	02502F	S, L	02502F-780001~
DF25 (R) SK9	'09	02502F	S, L	02502F-980001~
DF25 (R) SK10	'10	02503F	S, L	02503F-010001~
DF25 (R) S		02503F	S, L	02503F-110001~

PP005851.TIF DF20RSK7(E1) K7 2007 / * COLOR CHART *

DF25 E1	0EP SHADOW BLACK METALLIC
DF25 E1	13L BRIGHT SILVER METALLIC
DF25 E1	5PK BLACK

DP005437.TIF DF20RSK7(E1) K7 2007 / CYLINDER HEAD

FIG.1



DF25 E01_001
CYLINDER HEAD-C

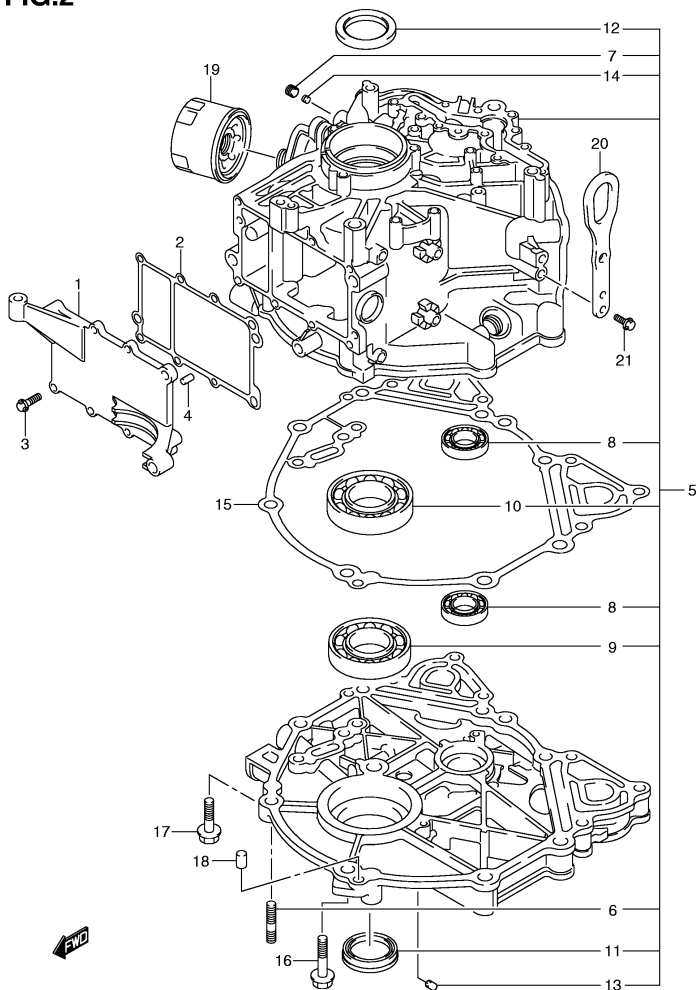
Part List

DP005437.TIF DF20RSK7(E1) K7 2007 / CYLINDER HEAD

REF NO	PART NO	DESCRIPTION	QTY	KIT	NOTES
1	11110-95J00-000	HEAD, CYLINDER STBD	1		
2	11120-95J00-000	HEAD, CYLINDER PORT	1		
3	11115-93J00-001	GUIDE, VALVE	4	*	
4	11119-95J00-000	BOLT	8		
5	11141-95J00-000	GASKET, CYL HEAD	2		
6	11261-99E00-000	COVER, PROTECTION ANODE	2		
7	55321-95J00-000	ANODE, PROTECTION	2		
8	09126-05011-000	SCREW, PROTECTION ANODE (5X20)	2		
9	09280-10013-000	O RING (ID:9.6,DD:2.4)	2		
10	01550-06207-000	BOLT, PROTECTION COVER	2		
11	04211-13189-000	PIN	4		
12	09493-20012-000	JET, OIL	1		STBD
13	11452-95J00-000	VALVE, REED	1		PORT
14	02112-0612A-000	SCREW	1		PORT
15	11171-95J00-000	COVER, CYL HEAD	2		
16	11189-95J00-000	GASKET, CYL HEAD COVER	2		
17	01550-06127-000	BOLT, CYL HEAD COVER	8		
18	09482-00427-000	SPARK PLUG (BKR6E)	2		

DP005464.TIF DF20RSK7(E1) K7 2007 / CYLINDER BLOCK

FIG.2



DF25 E01_002
CYLINDER BLOCK-C

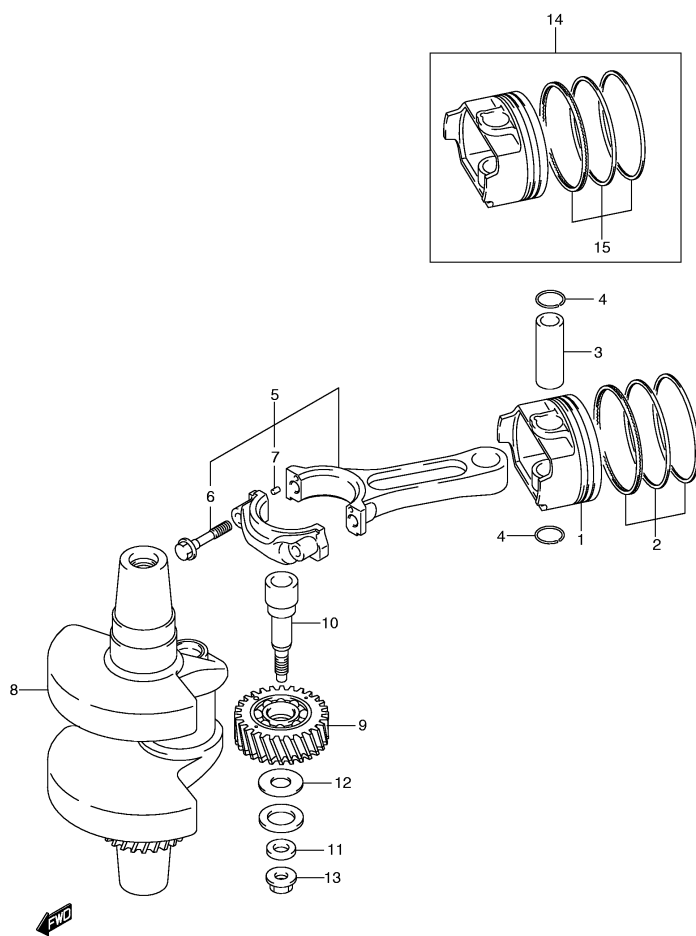
Part List

DP005464.TIF DF20RSK7(E1) K7 2007 / CYLINDER BLOCK

REF NO	PART NO	DESCRIPTION	QTY	KIT	NOTES
1	11218-95J00-000	COVER, CYL BLOCK	1		
2	11219-95J01-000	GASKET, CYL BLOCK COVER	1		
3	01547-06207-000	BOLT, CYL BLOCK COVER	8		
4	04221-06129-000	PIN	2		
5	11300-95850-000	BLOCK SET, CYLINDER	1		
6	09108-08281-000	BOLT, STUD	2	*	
7	09246-05006-000	PLUG, OIL GALLERY	1	*	
8	09262-25145-000	BEARING, CAMSHAFT (25X42X9)	2	*	
9	09262-35067-000	BEARING, CRANKSHAFT LOWER (35X72X17)	1	*	
10	08110-62080-000	BEARING, CRANKSHAFT UPPER	1	*	
11	09283-34014-000	SEAL, CRANKSHAFT OIL LOWER	1	*	
12	09283-38025-000	SEAL, CRANKSHAFT OIL UPPER (38X56X7)	1	*	
13	11112-53A00-000	PLUG, OIL VENTURI	1	*	FOR CRANKSHAFT CASE
14	09493-20012-000	PLUG, OIL VENTURI	1	*	FOR CYLINDER BLOCK
15	11351-95J01-000	GASKET, CRANKCASE	1		
16	09116-10143-000	BOLT, CRANKCASE (10X40)	2		
17	09116-08128-000	BOLT, CRANKCASE NO.2	2		
18	04221-08149-000	PIN	2		
19	16510-87J00-000	FILTER ASSY, OIL	1		
20	11291-95J00-000	HOOK, ENGINE	2		
21	01550-06167-000	BOLT, ENGINE HOOK	4		

DP005427.TIF DF20RSK7(E1) K7 2007 / CRANKSHAFT

FIG.3



DF25 E01_003
CRANKSHAFT-C

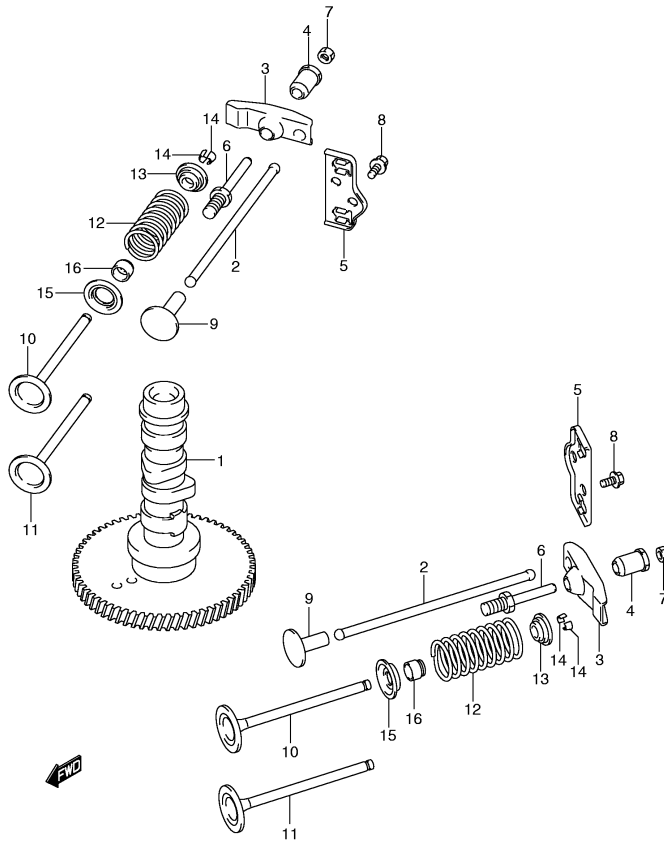
Part List

DP005427.TIF DF20RSK7(E1) K7 2007 / CRANKSHAFT

REF NO	PART NO	DESCRIPTION	QTY	KIT	NOTES
1	12111-95J00-0B0	PISTON	2		
2	12140-75F30-000	RING SET, PISTON	2		
3	12151-54A50-000	PIN, PISTON	2		
4	09381-17005-000	CIRCLIP	4		
5	12160-95J01-0A0	CONNROD ASSY	2		RED
5	12160-95J01-0B0	CONNROD ASSY	2		NO PAINT
6	12163-32C00-000	BOLT, CONNROD	4	*	
6	12163-69J00-000	BOLT, CONNROD	4	*	DF25:011128~
7	04221-03059-000	PIN, CONNROD KNOCK	4	*	
8	12220-95J00-0B0	CRANKSHAFT	1		
9	12730-95J10-000	GEAR ASSY, IDLE	1		
10	12735-95J10-000	SHAFT, IDLE GEAR	1		
11	09160-08122-000	WASHER, IDLE GEAR SHAFT NO.2 (8.5X18X3.2)	1		
12	09160-12067-000	WASHER, IDLE GEAR SHAFT NO.1 (12.5X23X1)	1		
13	08316-1008A-000	NUT, IDLE GEAR SHAFT	1		
14	12100-95J00-050	PISTON SET (OS:0.50)	2		OPT
15	12140-75F30-050	RING SET, PISTON (OS:0.50)	2	*	OPT

DP005422.TIF DF20RSK7(E1) K7 2007 / CAMSHAFT

FIG.4



DF25 E01_004
CAMSHAFT-C

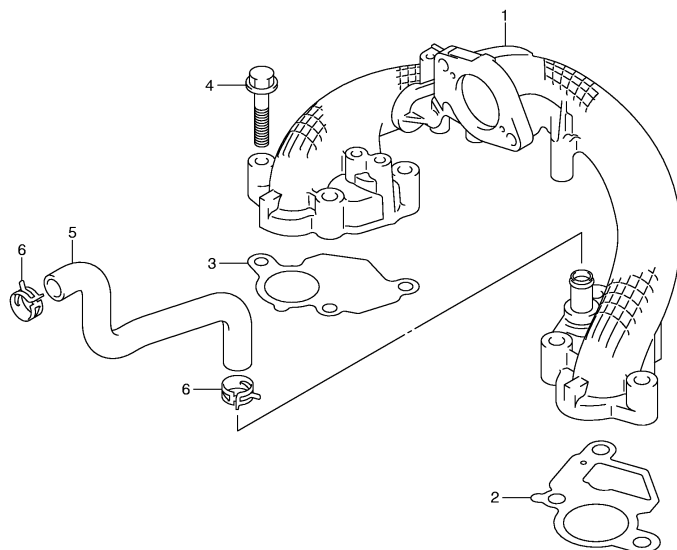
Part List

DP005422.TIF DF20RSK7(E1) K7 2007 / CAMSHAFT

REF NO	PART NO	DESCRIPTION	QTY	KIT	NOTES
1	12710-95J00-000	CAMSHAFT	1		MANUAL STARTER
1	12710-95J10-000	CAMSHAFT	1		ELECTRIC STARTER, TYPE:R
2	12894-95J00-000	ROD, PUSH	4		
3	12961-95J00-000	ARM, ROCKER	4		
4	12962-88C00-000	PIVOT	4		
5	12966-95J00-000	GUIDE, PUSH ROD	2		
6	09108-06125-000	BOLT, PIVOT STUD	4		
7	09140-06021-000	NUT, PIVOT LOCK (M6)	4		
8	01547-0612A-000	BOLT, PUSH ROD GUIDE	4		
9	12891-95J00-000	TAPPET	4		
10	12911-95J00-000	VALVE, INTAKE	2		
11	12915-95J00-000	VALVE, EXHAUST	2		
12	12921-95J00-000	SPRING, VALVE	4		
13	12931-78G00-000	RETAINER, VALVE SPRING	4		
14	12932-24400-000	COTTER, VALVE	8		
15	12933-51E00-000	SEAT, VALVE SPRING	4		
16	09289-05012-000	SEAL, VALVE STEM	4		

DP005410.TIF DF20RSK7(E1) K7 2007 / INTAKE MANIFOLD

FIG.5



DF25 E01_005
INTAKE MANIFOLD-C

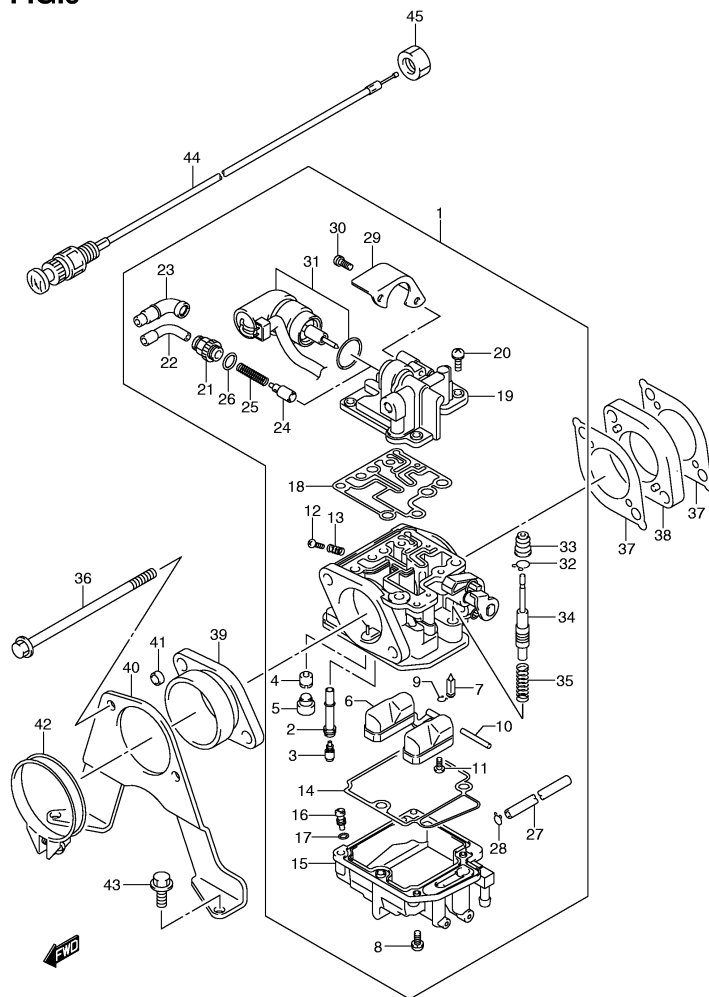
Part List

DP005410.TIF DF20RSK7(E1) K7 2007 / INTAKE MANIFOLD

REF NO	PART NO	DESCRIPTION	QTY	KIT	NOTES
1	13110-95J01-000	MANIFOLD, INTAKE	1		
2	13119-95J00-000	GASKET, INTAKE MANIFOLD PORT	1		
3	13122-95J00-000	GASKET, INTAKE MANIFOLD STBD	1		
4	01550-08407-000	BOLT	6		
5	11184-95J00-000	HOSE, BREATHER	1		PORT
6	09401-14409-000	CLIP	2		PORT

DP005462.TIF DF20RSK7(E1) K7 2007 / CARBURETOR

FIG.6



DF25 E01_006
CARBURETOR-C

Part List

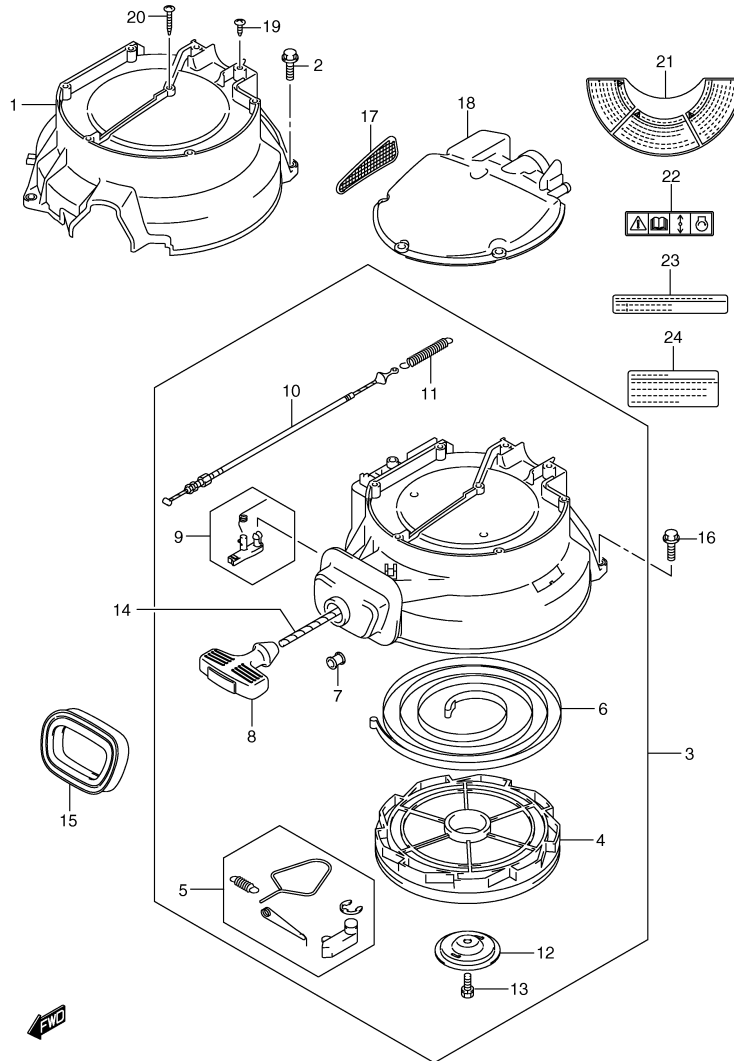
DP005462.TIF DF20RSK7(E1) K7 2007 / CARBURETOR

REF NO	PART NO	DESCRIPTION	QTY	KIT	NOTES
1	13200-95J20-000	CARBURETOR ASSY	1		ELECTRIC STARTER, TYPE:R DF25, OPT MANUAL STARTER
1	13200-95J30-000	CARBURETOR ASSY	1		MANUAL STARTER
1	13200-95J40-000	CARBURETOR ASSY	1		TYPE:R DF20
2	13236-95J00-000	NOZZLE, MAIN	1	*	
3	09491-26020-000	JET, MAIN (132)	1	*	DF25
3	09491-26021-000	JET, MAIN (130)	1	*	DF20
4	09492-48016-000	JET, PILOT (48)	1	*	
5	13239-94J00-000	CAP, RUBBER	1	*	
6	13250-94J00-000	FLOAT	1	*	
7	13370-94J00-000	VALVE, FLOAT	1	*	
8	13247-94J00-000	SCREW	4	*	
9	13375-26E00-000	CLIP	1	*	
10	13254-94J00-000	PIN, ARM	1	*	
11	13802-94J00-000	SCREW	1	*	
12	13534-94J00-000	SCREW, STOP	1	*	
13	13268-94J00-000	SPRING	1	*	
14	13251-94J00-000	GASKET, FLOAT CHAMBER	1	*	
15	13245-95J00-000	CHAMBER, FLOAT	1	*	ELECTRIC STARTER, TYPE:R, ->3240-95J00, CHAMBER ASSY, INC.14~17,27,28
15	13245-95J10-000	CHAMBER, FLOAT	1	*	MANUAL STARTER, ->3240-95J10, CHAMBER ASSY, INC.14~17,27,28
16	13279-94J00-000	SCREW, DRAIN	1	*	
17	13523-94J00-000	O RING	1	*	
18	13345-94J00-000	U RING	1	*	
19	13346-95J00-000	COVER	1	*	ELECTRIC STARTER, TYPE:R
19	13346-95J10-000	COVER	1	*	MANUAL STARTER
20	13247-94J00-000	SCREW	4	*	
21	13361-94J00-000	HOLDER, CABLE	1	*	MANUAL STARTER
22	13362-94J00-000	GUIDE, CABLE	1	*	MANUAL STARTER
23	13363-94J00-000	CAP, CABLE SEALING	1	*	MANUAL STARTER
24	13364-94J00-000	VALVE, STARTER	1	*	MANUAL STARTER
25	13365-94J00-000	SPRING	1	*	MANUAL STARTER
26	13366-94J00-000	O RING	1	*	MANUAL STARTER
27	13684-94J00-000	PIPE	1	*	
28	09401-05402-XC0	CLIP	1	*	
29	13428-95J00-000	GUARD, HEATER	1	*	ELECTRIC STARTER, TYPE:R
30	13367-94J00-000	SCREW	2	*	ELECTRIC STARTER, TYPE:R
31	13368-95J00-000	STARTER ASSY	1	*	ELECTRIC STARTER, TYPE:R
32	13494-94J00-000	CLIP	1	*	

	000				
33	13495-94J00-000	CAP, RUBBER	1	*	
34	13493-95J00-000	PLUNGER	1	*	
35	13441-94J00-000	SPRING	1	*	
36	09103-06228-000	BOLT, CARBURETOR (6X105)	2		
37	13125-95J00-000	GASKET, CARBURETOR	2		
38	13124-95J00-000	INSULATOR	1		
39	13880-95J00-000	TUBE, OUTLET	1		
40	13882-95J00-000	PLATE, OUTLET TUBE	1		
41	09180-06353-000	SPACER, OUTLET TUBE (6.5X10X5)	2		<-9180-06309
42	17895-95J00-000	CLAMP, OUTLET TUBE	1		
43	01550-06167-000	BOLT, OUTLET TUBE PLATE	2		
44	13640-95J00-000	KNOB ASSY, STARTER	1		MANUAL STARTER
45	09159-14014-000	NUT, STARTER KNOB (M14)	1		MANUAL STARTER

DP005698.TIF DF20RSK7(E1) K7 2007 / MAGNETO COVER / RECOIL STARTER / SILENCER

FIG.7



DF25 E01_007
MAGNETO COV/RECOIL/SILENCER

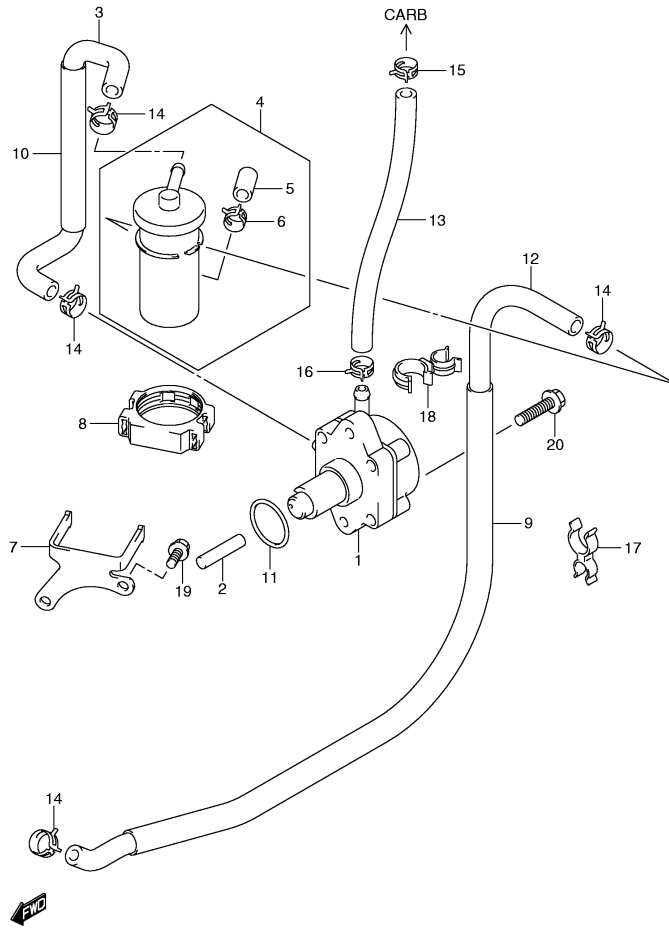
Part List

DP005698.TIF DF20RSK7(E1) K7 2007 / MAGNETO COVER / RECOIL STARTER / SILENCER

REF NO	PART NO	DESCRIPTION	QTY	KIT	NOTES
1	11511-95J01-000	COVER, MAGNETO	1		ELECTRIC STARTER, TYPE:R
2	01550-08257-000	BOLT	3		ELECTRIC STARTER, TYPE:R
3	18100-95J00-000	STARTER ASSY, RECOIL	1		MANUAL STARTER
4	18120-96320-000	REEL	1	*	
5	18130-89J00-000	RATCHET SET	1	*	
6	18142-89J00-000	SPRING, SPIRAL	1	*	
7	18191-95J00-000	GUIDE, ROPE	1	*	
8	18210-93002-000	GRIP ASSY	1	*	
9	18280-95J00-000	NSI SET	1	*	
10	18290-95J00-000	WIRE	1	*	
11	18293-89J00-000	SPRING	1	*	
12	18151-96310-000	PLATE, FRICTION	1	*	
13	01570-06167-000	BOLT	1	*	
14	99000-81159-50M	ROPE	1		OPT,L:50000->750
15	18193-95J00-000	SEAL, RECOIL STARTER	1		MANUAL STARTER
16	01550-08257-000	BOLT, RECOIL STARTER	3		MANUAL STARTER
17	13710-95J00-000	ARRESTER, FLAME	1		
18	13811-95J00-000	SILENCER, UPPER COVER	1		
19	03542-05169-000	SCREW, NO.1	7		
20	03542-05359-000	SCREW, NO.2	1		
21	61472-93E32-000	LABEL, RECOIL STARTER	1		
21	61472-93E40-000	LABEL, RECOIL STARTER	1		DF25:010624~
22	69711-93E10-000	LABEL (S.I.G.P.)	1		
23	61493-95J00-000	LABEL, CLEARANCE	1		MODEL:09~
24	61494-95J00-000	LABEL, OIL	1		MODEL:09~

DP005421.TIF DF20RSK7(E1) K7 2007 / FUEL PUMP

FIG.8



DF25 E01_008
FUEL PUMP-C

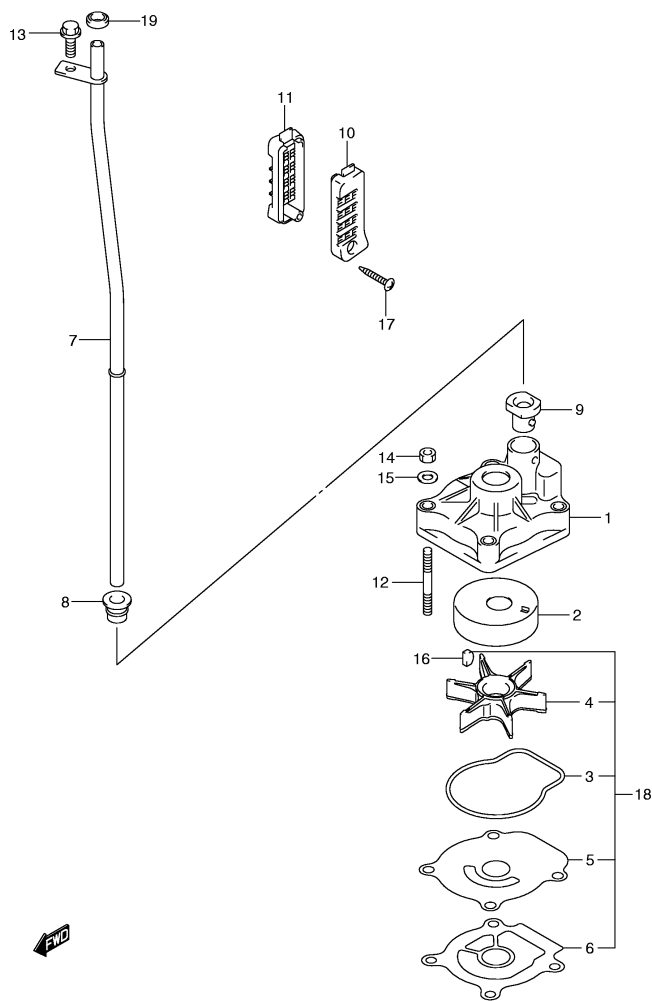
Part List

DP005421.TIF DF20RSK7(E1) K7 2007 / FUEL PUMP

REF NO	PART NO	DESCRIPTION	QTY	KIT	NOTES
1	15100-95J01-000	PUMP ASSY, FUEL	1		
2	15131-99E00-000	ROD, FUEL PUMP	1		
3	15192-95J11-000	HOSE, FUEL (FILTER TO PUMP)	1		
4	15410-87J30-000	FILTER, FUEL	1		
5	15419-87J00-000	CAP, FUEL FILTER	1	*	
6	09401-11423-000	CLIP	1	*	
7	15421-95J00-000	BRACKET, FUEL FILTER	1		
8	15422-96J00-000	BRACKET, FUEL FILTER	1		
9	18498-99E10-000	PROTECTOR, FUEL HOSE	1		L:610->60
10	18498-96J20-000	PROTECTOR, FUEL HOSE	1		L:370->10
11	09280-26005-000	O RING, FUEL PUMP (ID:26.2,DD:2.4)	1		
12	09355-70129-00B	HOSE, FUEL (CONN TO FILTER) (7X12X2000)	1		L:2000->20
12	09343-70503-00B	HOSE, FUEL (CONN TO FILTER) (7X12X2000)	1		DF25:110001~
13	15193-95J11-000	HOSE, FUEL (PUMP TO CARB)	1		
14	09401-11423-000	CLIP	4		
15	09401-10412-000	CLIP	1		
16	09401-12412-000	CLIP	1		
17	09408-00069-000	CLAMP (ID:16.5,ID:8)	1		
18	09408-00105-000	CLAMP (ID:17.5,ID:11.5)	1		
19	01550-06127-000	BOLT, FUEL FILTER BRACKET	2		
20	01550-06257-000	BOLT, FUEL PUMP	2		

DP005413.TIF DF20RSK7(E1) K7 2007 / WATER PUMP

FIG.9



DF25 E01_009
WATER PUMP-C

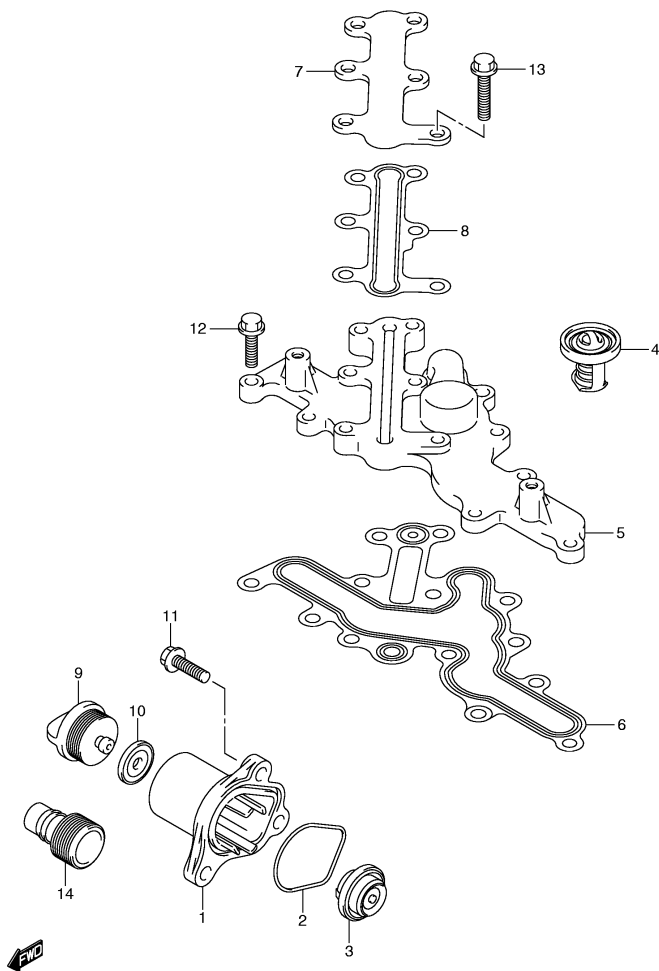
Part List

DP005413.TIF DF20RSK7(E1) K7 2007 / WATER PUMP

REF NO	PART NO	DESCRIPTION	QTY	KIT	NOTES
1	17410-95J00-000	CASE, WATER PUMP	1		
2	17413-95J00-000	SLEEVE, CASE	1		
3	17416-95J00-000	SEALING, CASE	1		
4	17461-96312-000	IMPELLER, WATER PUMP	1		
5	17471-95J01-000	PANEL, PUMP CASE UNDER	1		
6	17472-96303-000	GASKET, PUMP CASE PANEL	1		
7	17560-95J00-000	TUBE, WATER (S)	1		
7	17560-95J10-000	TUBE, WATER (L)	1		
8	17565-96300-000	GROMMET, WATER TUBE	2		
9	17566-96302-000	GROMMET, WATER TUBE LOWER	1		
10	17631-95J00-000	FILTER, WATER PORT SIDE	1		
11	17632-95J00-000	FILTER, WATER STBD SIDE	1		
12	09108-06146-000	BOLT, CASE STUD	4		
13	09116-06094-000	BOLT, WATER TUBE (6X15)	1		
14	29141-93J00-000	NUT, PUMP CASE (M6)	4		
15	09160-06082-000	WASHER, PUMP CASE LOCK (6.5X13X1)	4		
16	09420-04006-000	KEY, IMPELLER	1		
17	03142-04259-000	SCREW, FILTER TAPPING	1		
18	17400-95J02-000	WATER PUMP REPAIR KIT	1		OPT, INC.NO.3,4,5,6,16
19	09320-08062-000	CUSHION, WATER TUBE UPPER	1		DF25:680340~, DF20

DP005430.TIF DF20RSK7(E1) K7 2007 / THERMOSTAT

FIG.10



DF25 E01_010
THERMOSTAT-C

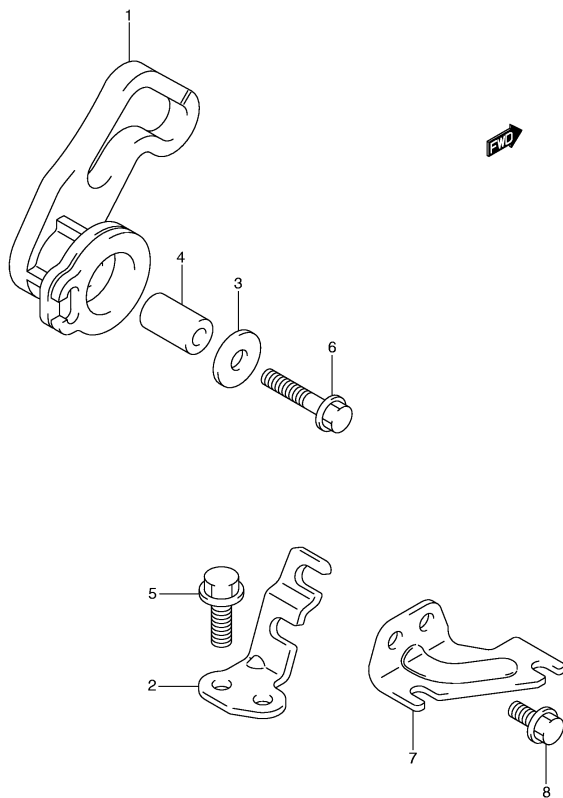
Part List

DP005430.TIF DF20RSK7(E1) K7 2007 / THERMOSTAT

REF NO	PART NO	DESCRIPTION	QTY	KIT	NOTES
1	17610-95J00-0EP	COVER, WATER PRESS VALVE	1		
2	17616-95J00-000	O RING, PRESS VALVE COVER	1		
3	17660-99E01-000	VALVE, WATER PRESSURE	1		
4	17670-94J00-000	THERMOSTAT (60 $\dot{\text{I}}$ $\dot{\text{z}}$ 1/2C)	1		
5	17681-95J00-000	COVER, THERMOSTAT	1		
6	17685-95J11-000	GASKET, THERMOSTAT COVER	1		
7	17689-95J00-000	PLATE, OIL GALLERY	1		
8	17693-95J00-000	GASKET, OIL GALLERY	1		
9	17913-93J00-000	PLUG, WATER FLUSH	1		
10	17914-93J00-000	GASKET, FLUSH PLUG	1		
11	29103-93J10-000	BOLT, PRESSURE VALVE COVER (6X20)	3		
12	01550-06207-000	BOLT, THERMOSTAT COVER NO.1	7		
13	01550-06257-000	BOLT, THERMOSTAT COVER NO.2	6		
14	17917-87L00-000	CONNECTOR, FLUSH WATER	1		OPT

DP005404.TIF DF20RSK7(E1) K7 2007 / THROTTLE CONTROL

FIG.11



DF25 E01_011
THROTTLE CONTROL-C

Part List

DP005404.TIF DF20RSK7(E1) K7 2007 / THROTTLE CONTROL

REF NO	PART NO	DESCRIPTION	QTY	KIT	NOTES
1	19141-95300-000	CAM, THROTTLE	1		
2	19184-95300-000	BRACKET, THROTTLE CABLE	1		
3	09160-06047-000	WASHER, THROTTLE DRUM (6.2X20X2)	1		
4	09180-06186-000	SPACER, THROTTLE DRUM (6.2X12.6X21)	1		
5	01550-06167-000	BOLT, THROTTLE CABLE BRACKET	2		
6	01550-06357-000	BOLT, THROTTLE DRUM	1		
7	18642-95300-000	BRACKET, NSI CABLE	1		MANUAL STARTER
8	01550-06167-000	BOLT, NSI CABLE BRACKET	2		MANUAL STARTER

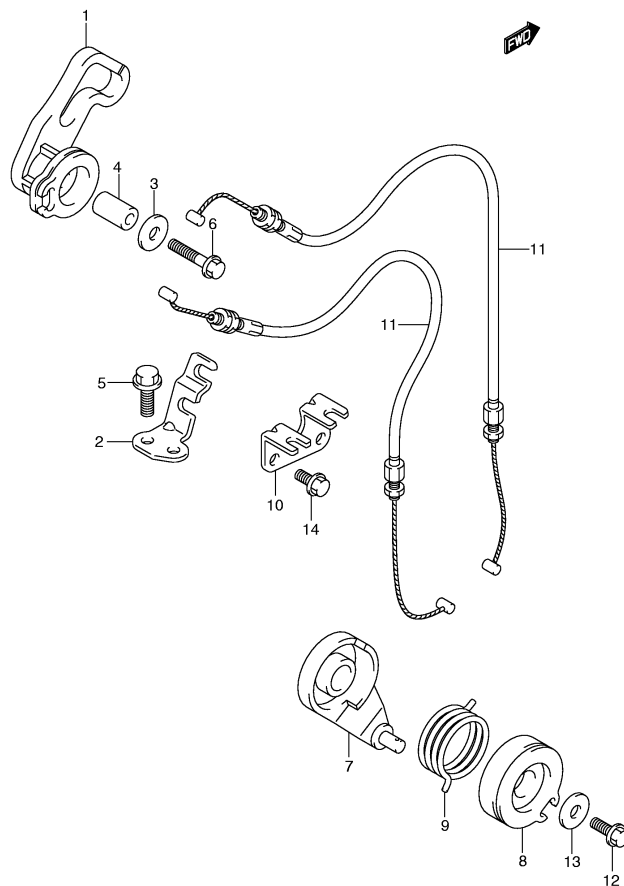
Page Notes

DP005404.TIF DF20RSK7(E1) K7 2007 / THROTTLE CONTROL

NOTE TEXT
OEM: REFER TO FIG.12(C- 5) FOR TYPE:R

DP005415.TIF DF20RSK7(E1) K7 2007 / THROTTLE CONTROL (TYPE:R)

FIG.12



DF25 E01_012
THROTTLE CONTROL (TYPE:R)-C

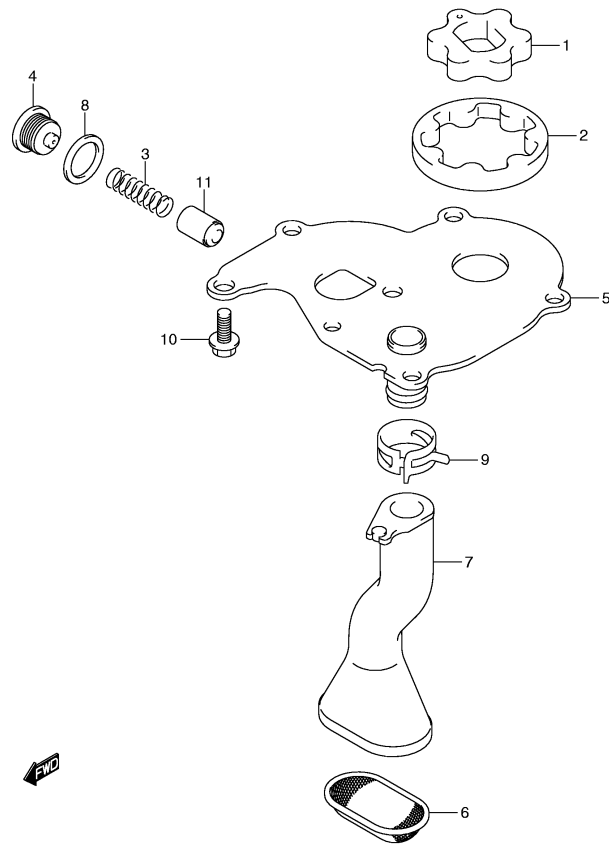
Part List

DP005415.TIF DF20RSK7(E1) K7 2007 / THROTTLE CONTROL (TYPE:R)

REF NO	PART NO	DESCRIPTION	QTY	KIT	NOTES
1	19141-95300-000	CAM, THROTTLE	1		
2	19184-95300-000	BRACKET, THROTTLE CABLE	1		
3	09160-06047-000	WASHER, THROTTLE DRUM (6.2X20X2)	1		
4	09180-06186-000	SPACER, THROTTLE DRUM (6.2X12.6X21)	1		
5	01550-06167-000	BOLT, THROTTLE CABLE BRACKET	2		
6	01550-06357-000	BOLT, THROTTLE DRUM	1		
7	19120-95300-000	LEVER, THROTTLE CONTROL	1		
8	19122-95300-000	LEVER, INTERLINK THROTTLE	1		
9	19185-95300-000	SPRING, THROTTLE LEVER	1		
10	19761-95300-000	STAY, THROTTLE CABLE	1		
11	63610-95311-000	CABLE ASSY, THROTTLE	2		
12	01550-06127-000	BOLT, THROTTLE LEVER	1		
13	09160-06047-000	WASHER, THROTTLE LEVER (6.2X20X2)	1		
14	01550-06167-000	BOLT, THROTTLE CABLE STAY	2		

DP005407.TIF DF20RSK7(E1) K7 2007 / OIL PUMP

FIG.13



DF25 E01_013
OIL PUMP-C

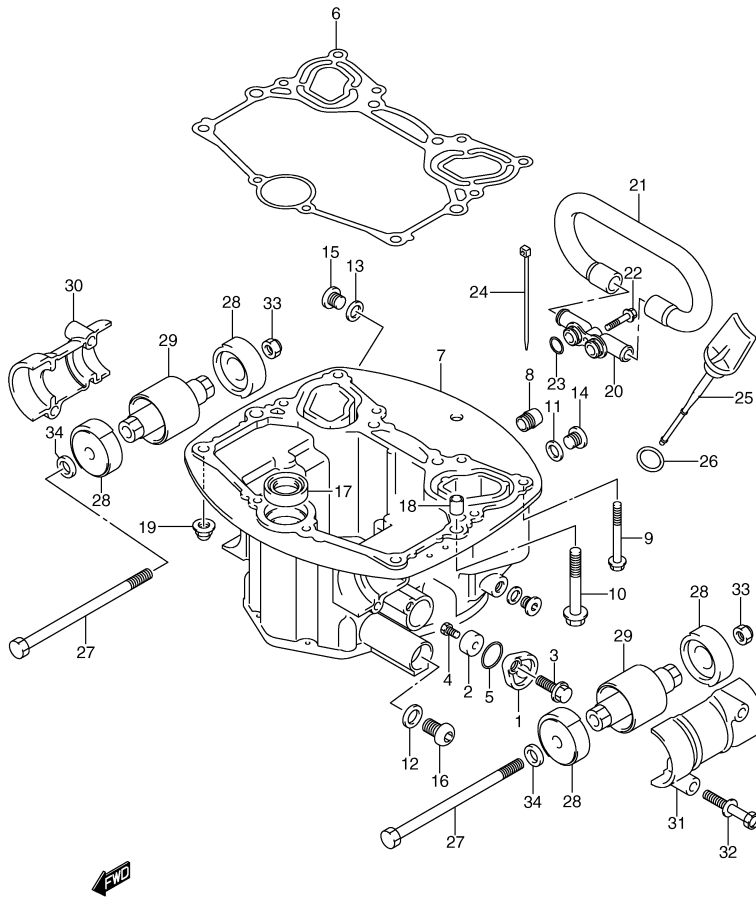
Part List

DP005407.TIF DF20RSK7(E1) K7 2007 / OIL PUMP

REF NO	PART NO	DESCRIPTION	QTY	KIT	NOTES
1	16131-95300-000	ROTOR, OIL PUMP INNER	1		
2	16132-95300-000	ROTOR, OIL PUMP OUTER	1		
3	16152-95300-000	SPRING, OIL RELIEF	1		
4	16153-95300-000	RETAINER, RELIEF VALVE SPRING	1		
5	16161-95300-000	PLATE, OIL PUMP	1		
6	16520-95300-000	STRAINER, OIL	1		
7	16522-95301-000	PIPE, OIL STRAINER	1		
8	09168-16002-000	GASKET, OIL RELIEF VALVE	1		
9	09401-18411-000	CLIP, OIL STRAINER PIPE	1		
10	01550-0616A-000	BOLT, OIL PUMP PLATE	7		
11	16151-95300-000	VALVE, OIL PUMP RELIEF	1		

DP005691.TIF DF20RSK7(E1) K7 2007 / OIL PAN

FIG.14



DF25 E01_014
OIL PAN

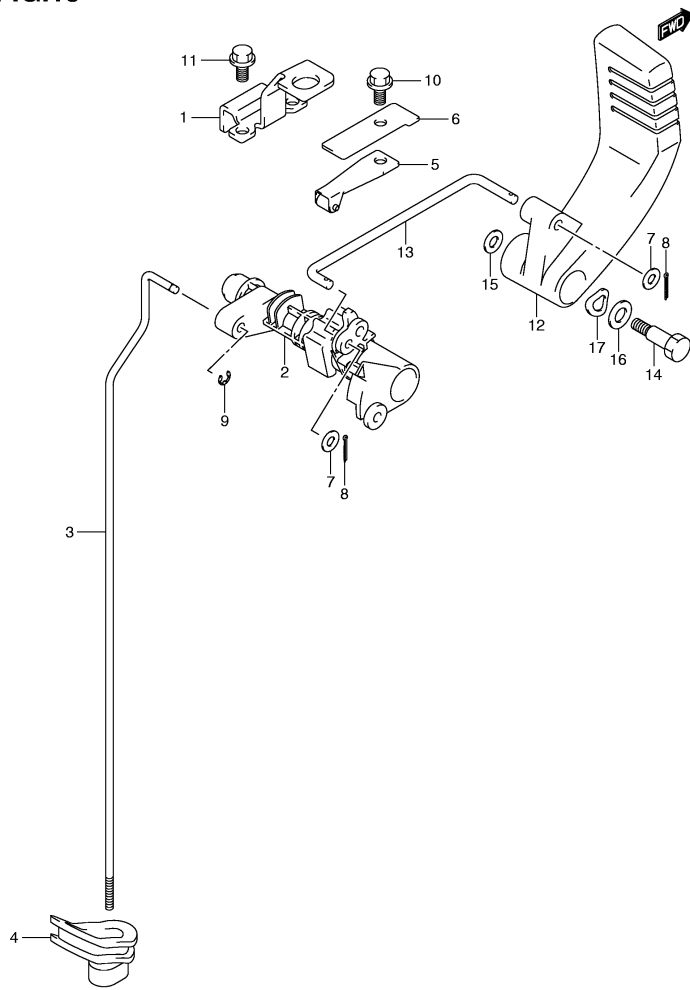
Part List

DP005691.TIF DF20RSK7(E1) K7 2007 / OIL PAN

REF NO	PART NO	DESCRIPTION	QTY	KIT	NOTES
1	11261-93J00-000	COVER, PROTECTION ANODE	1		
2	55321-87J00-000	ANODE, PROTECTION	1		
2	55321-87J10-000	ANODE (MAGNESIUM)	1		OPT
3	29103-93J30-000	BOLT, ANODE COVER (8X25)	1		
4	09103-06281-000	BOLT, ANODE (6X14)	1		
5	09280-22019-000	O RING, ANODE COVER (ID:21.8,DD:1.9)	1		
6	11489-95J01-000	GASKET, OIL PAN	1		
7	11501-95J02-0EP	PAN, OIL	1		
8	43112-99E00-000	PIPE, EXHAUST	1		
9	09116-08126-000	BOLT, CYLINDER HEAD SET (8X65)	6		
10	09116-10137-000	BOLT, OIL PAN (10X70)	6		
11	09168-12011-000	GASKET, WATER PLUG (12X19X1.5)	2		
12	09168-12012-000	GASKET, OIL DRAIN PLUG (12X20X2.5)	1		
13	09168-12017-000	GASKET, EXHAUST PLUG (12X17X1)	2		
14	09248-12007-000	PLUG, WATER (12X9)	2		
15	09248-12007-000	PLUG, EXHAUST (12X9)	2		
16	09248-12009-000	PLUG, OIL DRAIN (12X18.7)	1		
17	09282-15008-000	SEAL, DRIVE SHAFT UPPER OIL (14.7X25X6.5)	2		
18	04211-13149-000	PIN, OIL PAN	2		
19	08313-20087-000	NUT, CRANKCASE STUD BOLT	2		
20	11540-95J00-000	PIPE, EXHAUST	1		
21	11543-95J00-000	HOSE, EXHAUST	1		
22	09103-06196-000	BOLT (6X30)	1		
23	09280-15003-000	O RING (ID:14.8,DD:2.4)	2		
24	09407-14407-000	CLAMP	2		
25	11381-95J00-000	GAUGE, OIL LEVEL	1		
26	09280-16013-000	O RING, OIL LEVEL GAUGE	1		
27	54112-95J01-000	BOLT, UPPER MOUNT	2		
28	54120-95J00-000	MOUNT, UPPER THRUST	4		
29	54130-95J00-000	MOUNT, UPPER	2		
30	54148-95J00-0EP	COVER, UPPER MT STBD (BLACK)	1		
31	54149-95J00-0EP	COVER, UPPER MT PORT (BLACK)	1		
32	09116-08131-000	BOLT, UPPER MOUNT COVER (8X45)	4		
33	09159-10050-000	NUT, UPPER MOUNT BOLT (M10)	2		
34	09160-10140-000	WASHER, UPPER MOUNT BOLT (10.5X18X3)	2		

DP005412.TIF DF20RSK7(E1) K7 2007 / CLUTCH SHAFT

FIG.15



DF25 E01_015
CLUTCH SHAFT-C

Part List

DP005412.TIF DF20RSK7(E1) K7 2007 / CLUTCH SHAFT

REF NO	PART NO	DESCRIPTION	QTY	KIT	NOTES
1	21126-95J01-000	HOLDER, CLUTCH SHAFT	1		
2	21211-95J00-000	SHAFT, CLUTCH	1		
3	23111-95J00-000	ROD, CLUTCH (S)	1		
3	23111-95J10-000	ROD, CLUTCH (L)	1		
4	23131-95J00-000	BOOT, CLUTCH ROD	1		
5	23213-89J01-000	SPRING, NOTCH PLATE NO.1	1		
6	23214-89J10-000	SPRING, NOTCH PLATE NO.2	1		
7	09160-05029-000	WASHER, CLUTCH LEVER LINK (5.5X12X0.8)	2		
8	09204-01002-000	PIN, CLUTCH LEVER LINK	2		
9	09383-04002-000	E RING, CLUTCH ROD	1		
10	01550-06127-000	BOLT, NOTCH PLATE SPRING	1		
11	01550-06127-000	BOLT, CLUTCH SHAFT HOLDER	2		
12	21111-95J00-000	LEVER, FRONT SHIFT	1		
13	23115-95J00-000	LINK, SHIFT LEVER	1		
14	09111-06069-000	BOLT, SHIFT LEVER	1		
15	09160-06082-000	WASHER, SHIFT LEVER (6.5X13X1)	1		
16	09160-08082-000	WASHER, SHIFT LEVER (8.5X16X1.2)	1		
17	09164-08017-000	WASHER, SHIFT LEVER WAVE	1		

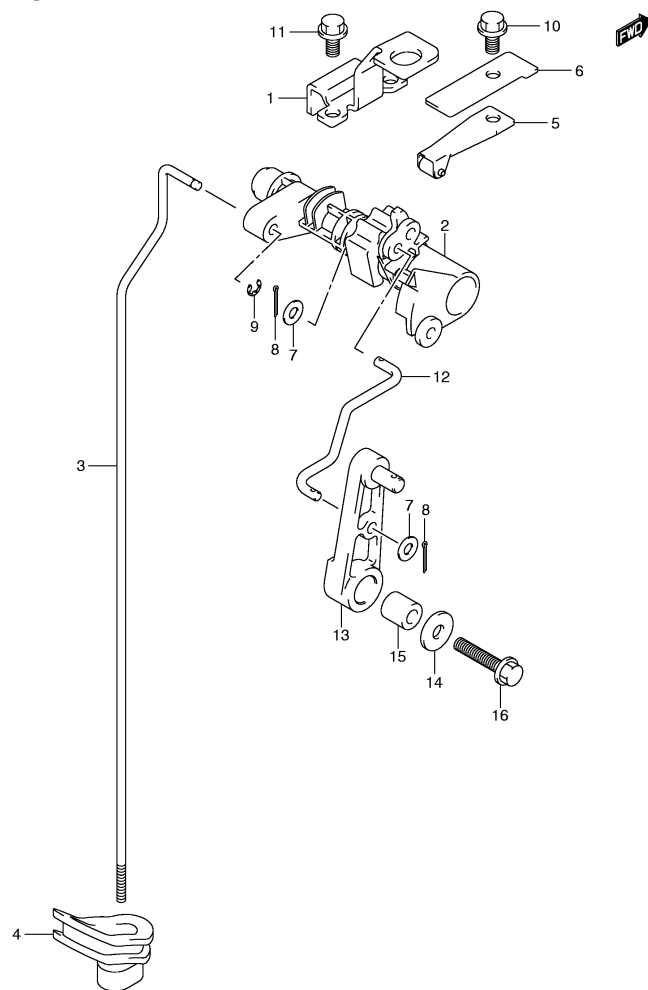
Page Notes

DP005412.TIF DF20RSK7(E1) K7 2007 / CLUTCH SHAFT

NOTE TEXT
OEM: REFER TO FIG.16 (D-3) FOR TYPE:R

DP005411.TIF DF20RSK7(E1) K7 2007 / CLUTCH SHAFT (TYPE:R)

FIG.16



DF25 E01_016
CLUTCH SHAFT (TYPE:R)-C

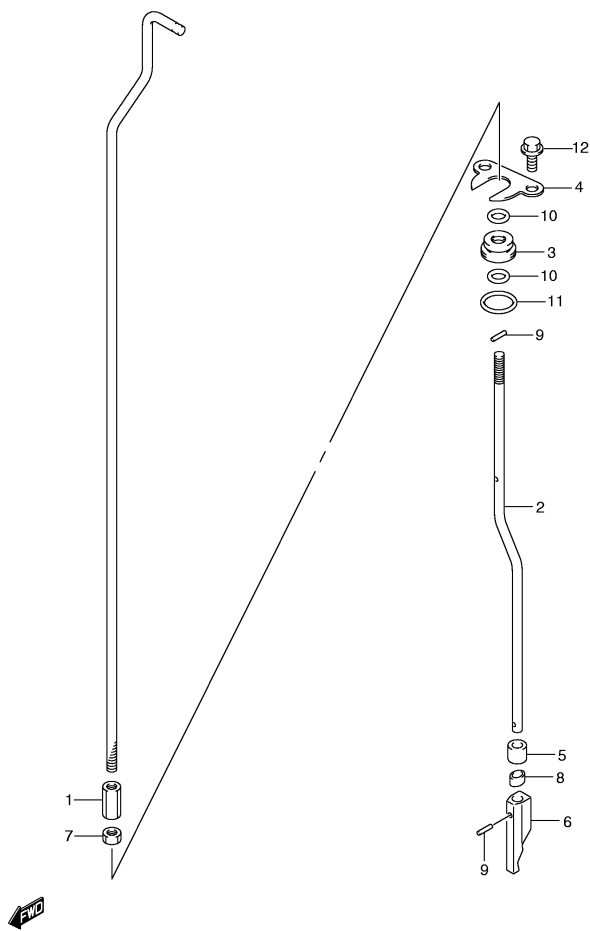
Part List

DP005411.TIF DF20RSK7(E1) K7 2007 / CLUTCH SHAFT (TYPE:R)

REF NO	PART NO	DESCRIPTION	QTY	KIT	NOTES
1	21126-95J01-000	HOLDER, CLUTCH SHAFT	1		
2	21211-95J00-000	SHAFT, CLUTCH	1		
3	23111-95J00-000	ROD, CLUTCH (S)	1		
3	23111-95J10-000	ROD, CLUTCH (L)	1		
4	23131-95J00-000	BOOT, CLUTCH ROD	1		
5	23213-89J01-000	SPRING, NOTCH PLATE NO.1	1		
6	23214-89J10-000	SPRING, NOTCH PLATE NO.2	1		
7	09160-05029-000	WASHER, CLUTCH LEVER LINK (5.5X12X0.8)	2		
8	09204-01002-000	PIN, CLUTCH LEVER LINK	2		
9	09383-04002-000	E RING, CLUTCH ROD	1		
10	01550-06127-000	BOLT, NOTCH PLATE SPRING	1		
11	01550-06127-000	BOLT, CLUTCH SHAFT HOLDER	2		
12	21241-95J00-000	LINK, CLUTCH LEVER	1		
13	23210-95J00-000	LEVER, CLUTCH CONTROL	1		
14	09160-06084-000	WASHER, CLUTCH LEVER (6.5X18X1.6)	1		
15	09180-06230-000	SPACER, CLUTCH LEVER	1		
16	01550-06257-000	BOLT, CLUTCH LEVER	1		

DP005402.TIF DF20RSK7(E1) K7 2007 / CLUTCH ROD

FIG.17



DF25 E01_017
CLUTCH ROD-C

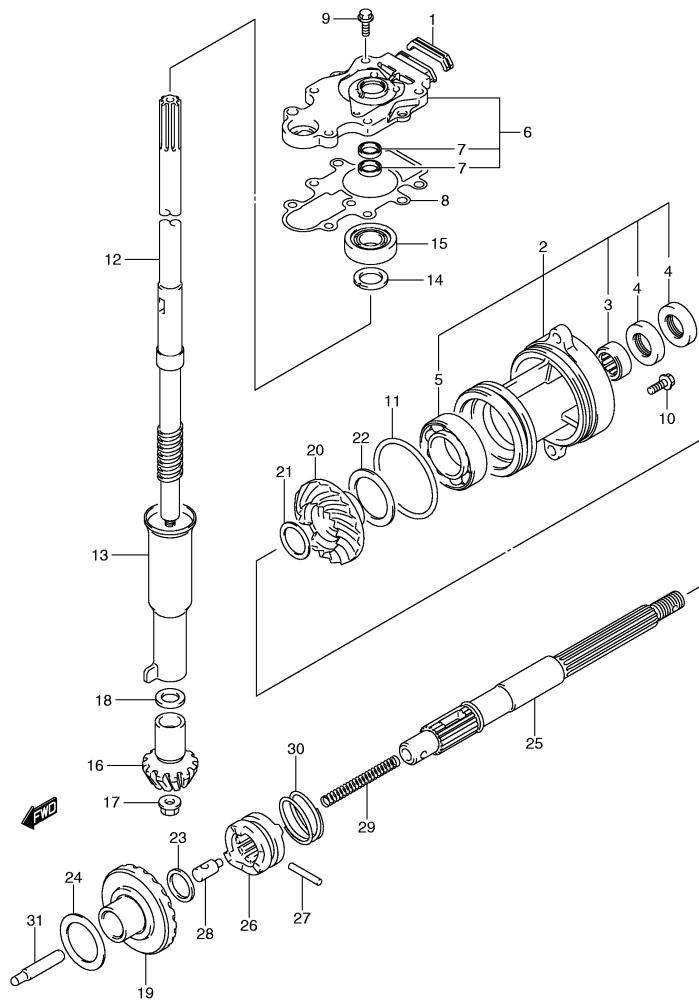
Part List

DP005402.TIF DF20RSK7(E1) K7 2007 / CLUTCH ROD

REF NO	PART NO	DESCRIPTION	QTY	KIT	NOTES
1	23311-95J00-000	CONNECTOR, CLUTCH ROD	1		
2	25111-95J20-000	ROD, SHIFT	1		
3	25211-95J10-000	GUIDE, SHIFT ROD	1		
4	25215-95J01-000	STOPPER, SHIFT ROD GUIDE	1		
5	25232-96302-000	MAGNET, GEAR CASE	1		
6	25311-95J00-000	CAM, SHIFT	1		
7	29141-93J00-000	NUT, CLUTCH ROD	1		
8	25231-96301-000	SPACER, MAGNET	1		
9	09205-02004-000	PIN, SHIFT ROD STOPPER	2		
10	09280-08005-000	O RING, SHIFT ROD GUIDE (ID:7.7,DD:1.7)	2		
11	09280-15007-000	O RING, SHIFT ROD GUIDE (ID:15.8,DD:2.4)	1		
12	29116-93J00-000	BOLT, SHIFT ROD GUIDE	2		

DP005445.TIF DF20RSK7(E1) K7 2007 / DRIVE SHAFT

FIG.18



DF25 E01_018
DRIVE SHAFT-C

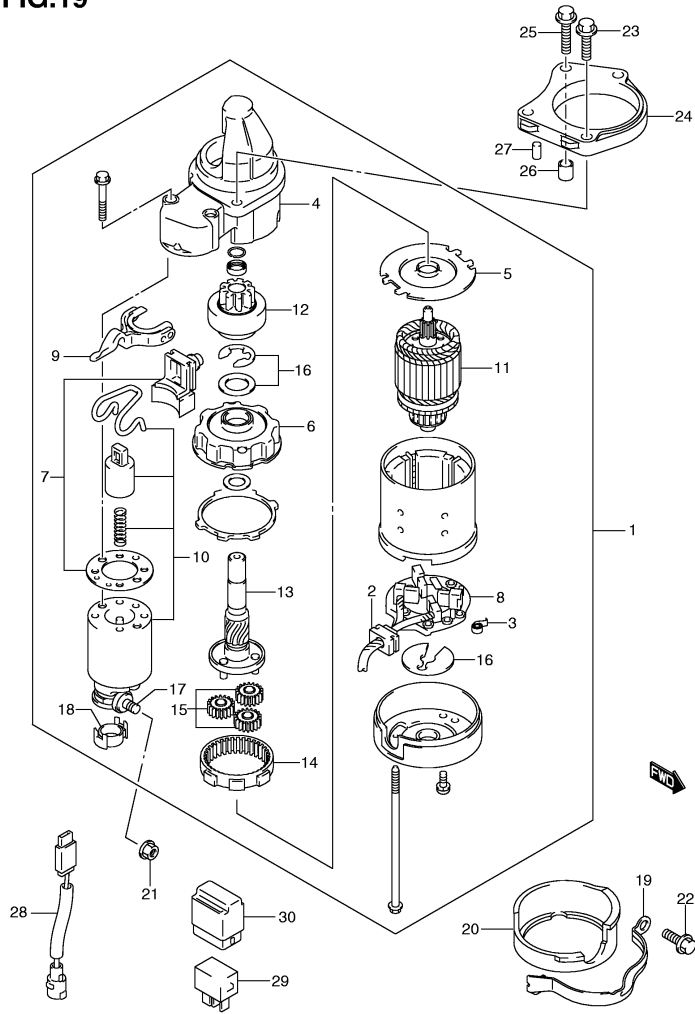
Part List

DP005445.TIF DF20RSK7(E1) K7 2007 / DRIVE SHAFT

REF NO	PART NO	DESCRIPTION	QTY	KIT	NOTES
1	55332-95J00-000	RUBBER, EXHAUST SEAL	1		
2	56120-96332-0EP	HOUSING, PROP SFT BRG (BLACK)	1		
3	09263-20047-000	BEARING	1	*	
4	09289-20009-000	OIL SEAL	2	*	
5	08113-60060-000	BEARING, REV GEAR	1	*	
6	56130-95J00-0EP	HOUSING, DRIVE SHAFT OIL SEAL	1		
7	09282-17006-000	OIL SEAL	2	*	
8	56132-95J00-000	GASKET, OIL SEAL HSG	1		
9	09116-06094-000	BOLT, OIL SEAL HSG	2		
10	09116-06121-000	BOLT, PROP SHAFT BRG HSG	2		
11	09280-75002-000	O RING, PROP SHAFT BRG HSG	1		
12	57110-95J00-000	SHAFT, DRIVE (S)	1		
12	57110-95J10-000	SHAFT, DRIVE (L)	1		
13	57133-95J00-000	COLLAR, DRIVE SHAFT	1		
14	09166-17005-000	WASHER, THRUST	1		
15	09265-17002-000	BEARING, DRIVE SHAFT	1		
16	57311-96320-000	PINION	1		
17	09159-08046-000	NUT, PINION	1		
18	09160-15030-000	WASHER (15X20X1.7)	1	*	
18	09160-15031-000	WASHER (15X20X1.8)	1	*	
18	09160-15032-000	WASHER (15X20X1.9)	1	*	
18	08211-15203-000	WASHER (15X20X2.0)	1	*	
18	09160-15033-000	WASHER (15X20X2.1)	1	*	
18	08211-15204-000	WASHER (15X20X2.2)	1	*	
19	57510-89J00-000	GEAR, FORWARD	1		
20	57521-89J00-000	GEAR, REVERSE	1		
21	09160-20068-000	WASHER (20X25.6X1.6)	1	*	REV GEAR
21	09160-20069-000	WASHER (20X25.6X1.8)	1	*	
21	09160-20070-000	WASHER (20X25.6X2.0)	1	*	
21	09160-20071-000	WASHER (20X25.6X2.2)	1	*	
21	09160-20072-000	WASHER (20X25.6X2.4)	1	*	
21	09160-20073-000	WASHER (20X25.6X2.6)	1	*	
22	08221-30404-000	SHIM (30X40X0.2)	1		REV GEAR
22	09181-30158-000	SHIM (30X40X0.5)	1		
22	09181-30162-000	SHIM (30X40X0.8)	1		
22	09181-30167-000	SHIM (30X40X1.0)	1		
23	09181-16008-000	WASHER (16X24X1.5)	1		FWD GEAR
24	09181-25190-000	SHIM (25X36X0.8)	1		FWD GEAR
24	09181-25248-000	SHIM (25X36X0.9)	1		
24	09181-25251-000	SHIM (25X36X1.0)	1		
24	09160-25032-000	SHIM (25X36X1.1)	1		
24	09160-25033-000	SHIM (25X36X1.2)	1		
24	09160-25034-000	SHIM (25X36X1.3)	1		
24	09160-25035-000	SHIM (25X36X1.4)	1		
24	09181-25268-000	SHIM (25X36X1.5)	1		
25	57610-96311-000	SHAFT, PROPELLER	1		
26	57621-89J10-000	SHIFTER, CLUTCH DOG	1		
27	09202-05021-000	PIN, CLUTCH DOG SHIFTER	1		
28	09209-08016-000	PIN, PUSH	1		
29	09440-07074-000	SPRING, RETURN	1		
30	09440-35004-000	SPRING, DOG	1		
31	57631-95J00-000	ROD, PUSH	1		

DP005459.TIF DF20RSK7(E1) K7 2007 / STARTING MOTOR

FIG.19



DF25 E01_019
STARTING MOTOR-C

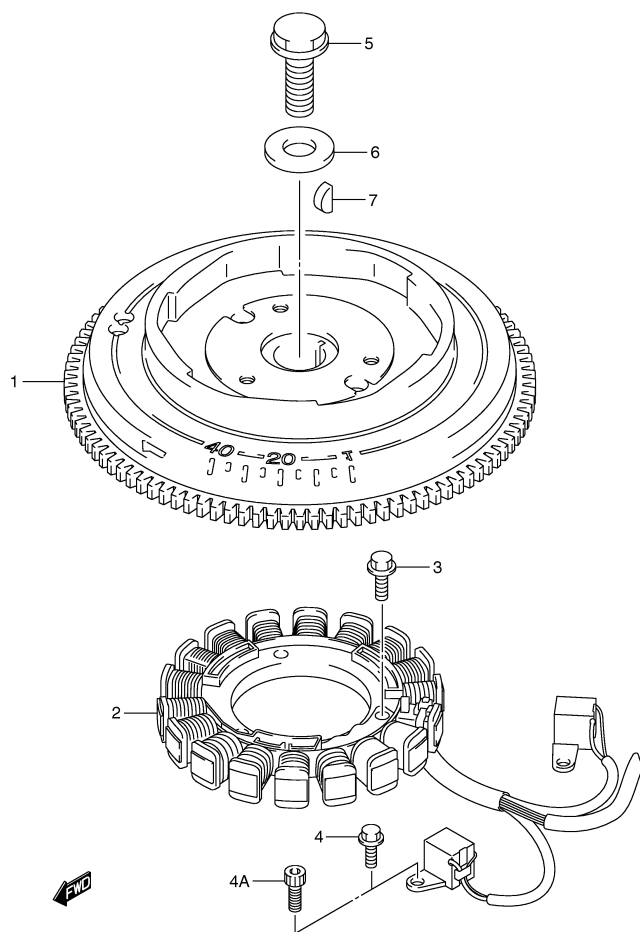
Part List

DP005459.TIF DF20RSK7(E1) K7 2007 / STARTING MOTOR

REF NO	PART NO	DESCRIPTION	QTY	KIT	NOTES
1	31100-95J01-000	STARTING MOTOR	1		
2	31131-94J00-000	BRUSH SET, PLUS	1	*	
3	31135-90J00-000	SPRING	4	*	
4	31151-94J00-000	CASE, GEAR	1	*	
5	31152-90J00-000	PLATE, CENTER	1	*	
6	31153-90J00-000	BRACKET, PLANET GEAR	1	*	
7	31171-96J00-000	COVER KIT, DUST	1	*	
8	31173-94J00-000	HOLDER, BRUSH	1	*	
9	31191-96J00-000	LEVER, SHIFT	1	*	
10	31220-94J00-000	SWITCH, MAGNET	1	*	
11	31310-90J00-000	ARMATURE	1	*	
12	31320-94J00-000	PINION	1	*	
13	31341-94J00-000	SHAFT, PINION	1	*	
14	31343-90J00-000	INTERNAL GEAR	1	*	
15	31344-90J00-000	GEAR, PLANETARY	3	*	
16	31360-93J01-000	WASHER SET	1	*	
17	31913-93J00-000	TERMINAL	1	*	
18	31914-93J00-000	CAP, TERMINAL	1	*	
19	31912-95J00-000	BAND, STARTER MOTOR	1		
20	31918-95J00-000	DAMPER, LOWER	1		
21	08316-10087-000	NUT, STARTER MOTOR	1		
22	01550-08207-000	BOLT, STARTER MOTOR LOWER	2		
23	01550-08257-000	BOLT, STARTER MOTOR	2		
24	31911-95J00-000	BRACKET, STARTER MOTOR	1		
25	01550-08307-000	BOLT, STARTER MOTOR BRACKET	2		
26	04211-11129-000	PIN, STARTER MOTOR BRACKET	1		
27	04221-06129-000	PIN, STARTER MOTOR BRACKET	1		
28	36645-94J00-000	LEAD WIRE	1		
29	38860-76F01-000	RELAY ASSY, STARTER MOTOR	1		
30	38915-90J00-000	HOLDER, RELAY	1		

DP005686.TIF DF20RSK7(E1) K7 2007 / MAGNETO

FIG.20



DF25 E01_020
MAGNETO

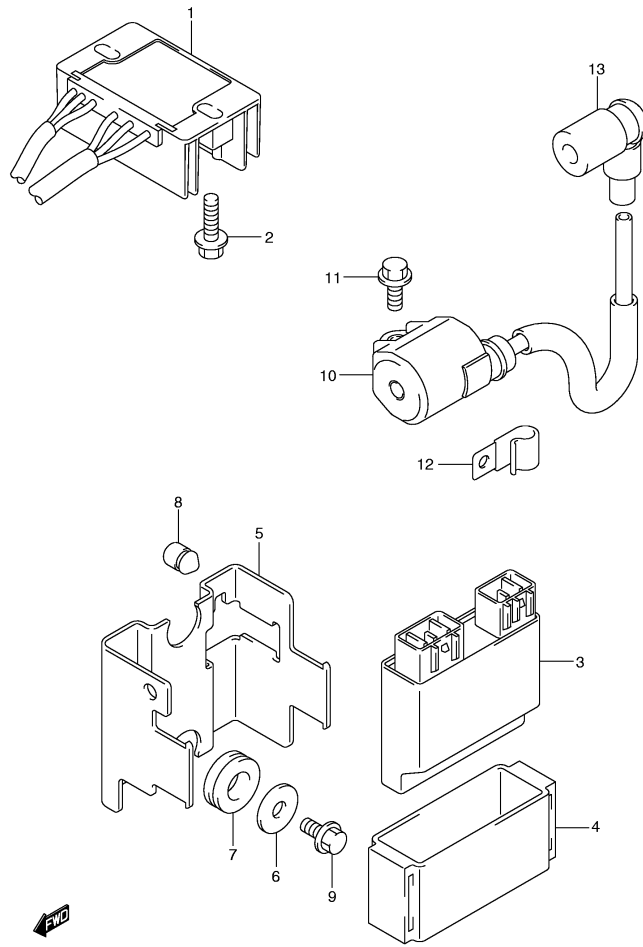
Part List

DP005686.TIF DF20RSK7(E1) K7 2007 / MAGNETO

REF NO	PART NO	DESCRIPTION	QTY	KIT	NOTES
1	32102-95300-000	FLYWHEEL	1		ELECTRIC STARTER, TYPE:R
1	32102-95310-000	FLYWHEEL	1		MANUAL STARTER
2	32120-95300-000	COIL, STATOR & PULSER	1		ELECTRIC STARTER, TYPE:R
2	32120-95310-000	COIL, STATOR & PULSER	1		MANUAL STARTER
3	01550-06257-000	BOLT, COIL BASE	3		
4	02162-05127-000	SCREW, IGNITION TIMING COIL	4		
4A	09106-05030-000	BOLT, IGNITION TIMING COIL	4		MODEL:10~
5	09103-16001-000	BOLT, FLYWHEEL	1		
6	09160-16046-000	WASHER, FLYWHEEL	1		
7	09420-04008-000	KEY, FLYWHEEL	1		

DP005424.TIF DF20RSK7(E1) K7 2007 / RECTIFIER / IGNITION COIL

FIG.21



DF25 E01_021
RECTIFIER/IGNITION COIL-C

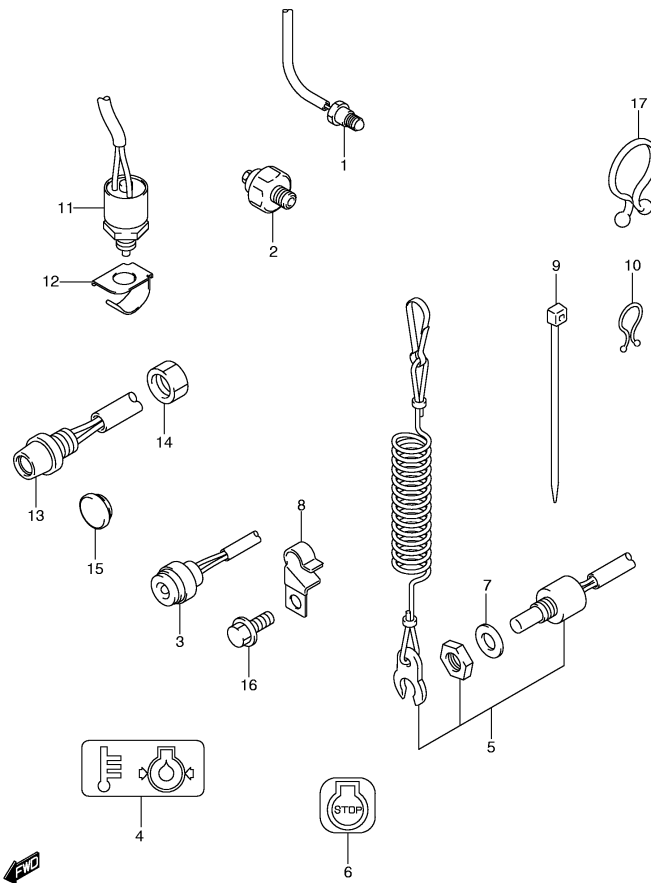
Part List

DP005424.TIF DF20RSK7(E1) K7 2007 / RECTIFIER / IGNITION COIL

REF NO	PART NO	DESCRIPTION	QTY	KIT	NOTES
1	32800-95J01-000	RECTIFIER & REGULATOR ASSY	1		ELECTRIC STARTER, TYPE:R
2	01550-06257-000	BOLT, RECTIFIER	2		
3	32900-95J00-000	UNIT, CDI	1		DF25
3	32900-95J10-000	UNIT, CDI	1		DF20
4	32980-38F00-000	HOLDER, CDI UNIT	1		
5	32890-95J01-000	HOLDER, ELECTRIC PARTS	1		
6	09160-06054-000	WASHER, HOLDER (6.5X22X1.6)	2		
7	09320-12011-000	CUSHION, HOLDER	2		
8	09321-06013-000	CUSHION, HOLDER	2		
9	01550-06127-000	BOLT, HOLDER	2		
10	33410-95J00-000	COIL ASSY, IGNITION	2		
11	01550-06167-000	BOLT	2		
12	09403-09316-000	CLAMP, HIGH TENSION CORD	2		
13	33510-93E00-000	CAP ASSY, SPARK PLUG	2		

DP005414.TIF DF20RSK7(E1) K7 2007 / SENSOR / SWITCH

FIG.22



DF25 E01_022
SENSOR/SWITCH-C

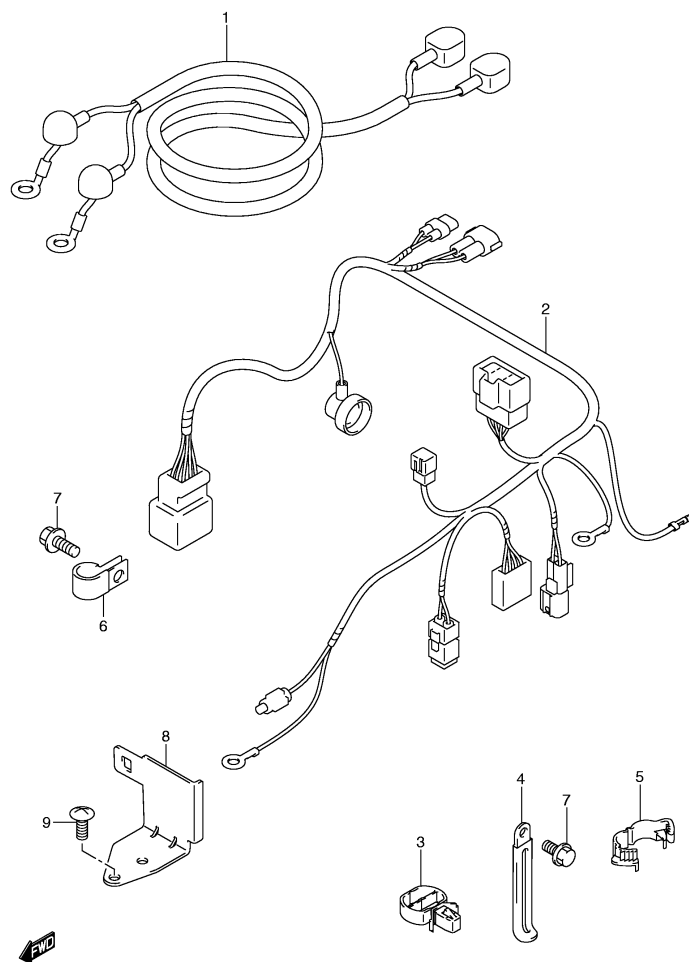
Part List

DP005414.TIF DF20RSK7(E1) K7 2007 / SENSOR / SWITCH

REF NO	PART NO	DESCRIPTION	QTY	KIT	NOTES
1	34830-87J20-000	SENSOR ASSY, TEMP	1		
2	37820-93E00-000	SWITCH ASSY, OIL PRESSURE	1		
3	36360-89J00-000	INDICATOR ASSY, WARNING	1		
4	36367-89J00-000	LABEL, WARNING	1		
5	37830-95J02-000	SWITCH ASSY, EMERGENCY & STOP	1		EXCEPT TYPE:R
6	37835-95D00-000	LABEL, STOP	1		EXCEPT TYPE:R
7	09160-12067-000	WASHER, EMERGENCY SWITCH	1		EXCEPT TYPE:R
8	09403-12308-000	CLAMP, SWITCH LEAD	1		
9	09407-10404-000	CLAMP, SWITCH LEAD	1		
10	09408-00012-000	CLAMP, STOP SWITCH LEAD (ID:11.5)	1		EXCEPT TYPE:R
11	37721-95J01-000	SWITCH ASSY, NEUTRAL	1		
12	37725-95600-000	ACTUATOR, NEUTRAL SWITCH	1		
13	37161-89E13-000	SWITCH ASSY, START	1		ELECTRIC STARTER
14	09159-14014-000	NUT, STARTER MOTOR SWITCH	1		ELECTRIC STARTER
15	37163-95J00-000	PLUG, STARTING SWITCH HOLE	1		TYPE:R
16	01550-08127-000	BOLT, CLAMP	1		MANUAL STARTER
17	09408-00024-000	CLAMP, STARTER LEAD (ID:23)	1		ELECTRIC STARTER, TYPE:R

DP005426.TIF DF20RSK7(E1) K7 2007 / HARNESS

FIG.23



DF25 E01_023
HARNESS-C

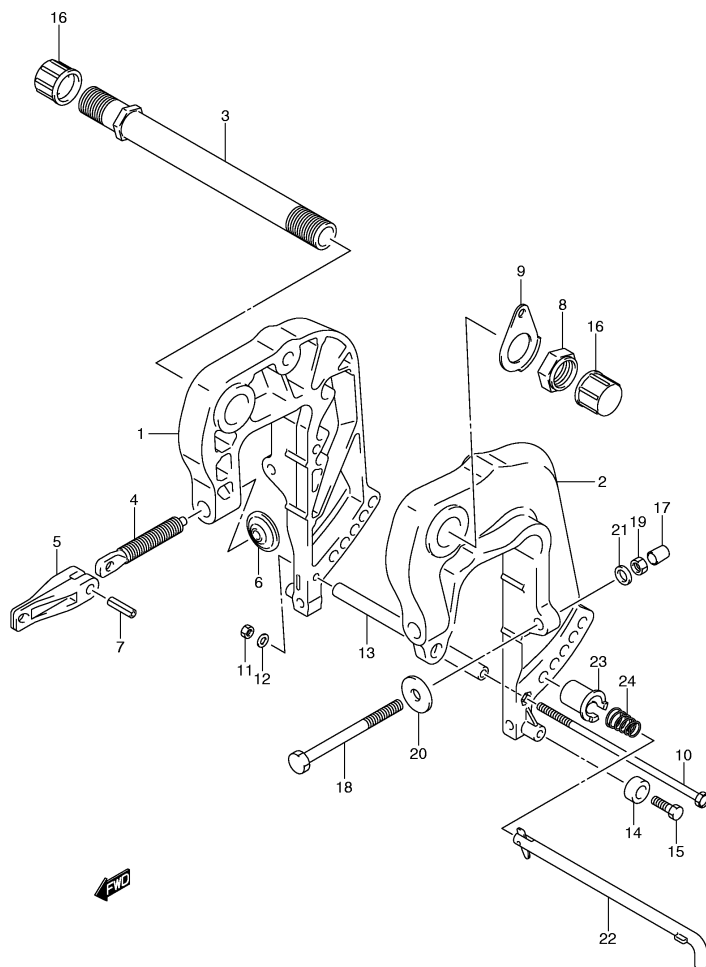
Part List

DP005426.TIF DF20RSK7(E1) K7 2007 / HARNESS

REF NO	PART NO	DESCRIPTION	QTY	KIT	NOTES
1	33810-95J00-000	CABLE ASSY, STARTER	1		ELECTRIC STARTER, TYPE:R
2	36610-95J00-000	HARNESS ASSY, WIRING	1		ELECTRIC STARTER
2	36610-95J10-000	HARNESS ASSY, WIRING	1		MANUAL STARTER
2	36610-95J20-000	HARNESS ASSY, WIRING	1		TYPE:R
3	09403-14315-000	CLAMP, HARNESS	2		
4	29404-93J10-000	CLAMP, HARNESS	5		ELECTRIC STARTER, TYPE:R
4	29404-93J10-000	CLAMP, HARNESS	4		MANUAL STARTER
5	09408-00184-000	CLAMP, HARNESS	1		
6	09403-13408-000	CLAMP, HARNESS	2		
7	01550-06127-000	BOLT, CLAMP	5		ELECTRIC STARTER
7	01550-06127-000	BOLT, CLAMP	4		MANUAL STARTER
7	01550-06127-000	BOLT, CLAMP	4		TYPE:R
8	36616-95J00-000	HOLDER, CONNECTOR	1		TYPE:R
9	02142-06167-000	SCREW, HOLDER	2		TYPE:R

DP005433.TIF DF20RSK7(E1) K7 2007 / CLAMP BRACKET

FIG.24



DF25 E01_024
CLAMP BRACKET-C

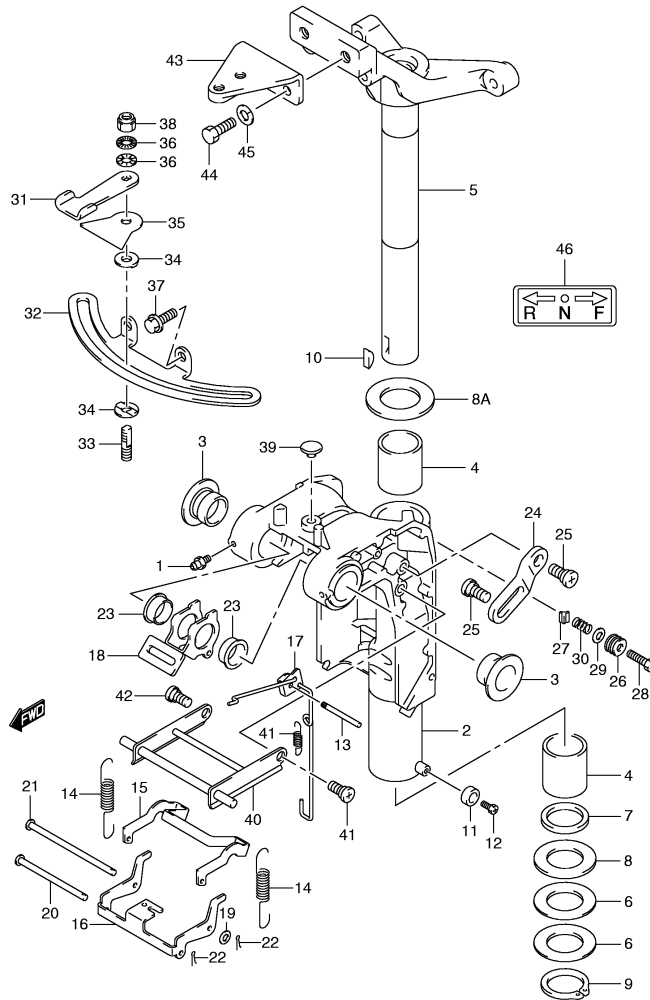
Part List

DP005433.TIF DF20RSK7(E1) K7 2007 / CLAMP BRACKET

REF NO	PART NO	DESCRIPTION	QTY	KIT	NOTES
1	41111-95J01-0EP	BRACKET, CLAMP STBD (BLACK)	1		
2	41121-95J00-0EP	BRACKET, CLAMP PORT (BLACK)	1		
3	41130-95J01-000	SHAFT, CLAMP BRKT	1		
4	41211-95J00-000	SCREW, CLAMP	2		
5	41212-98602-000	HANDLE, CLAMP	2		
6	41213-98100-000	PLATE, CLAMP	2		
7	09205-06007-000	PIN, CLAMP HANDLE	2		
8	09159-22006-000	NUT, CLAMP BRACKET SHAFT	1		
9	41135-93J00-000	WASHER, CLAMP BRACKET SHAFT	1		
10	09100-06165-000	BOLT, CLAMP BRACKET LOWER	1		
11	29141-93J00-000	NUT, CLAMP BRACKET LOWER	1		
12	09160-06082-000	WASHER, CLAMP BRACKET LOWER	1		
13	09180-06342-000	SPACER, CLAMP BRACKET LOWER	1		
14	55321-87J00-000	ANODE, PROTECTION	2		
15	09103-06281-000	BOLT	2		
16	41151-94500-000	CAP, CLAMP BRACKET SHAFT	2		
17	41153-95J00-000	CAP, TRANSOM BOLT	2		
18	09100-10309-000	BOLT, TRANSOM (10X110)	2		
19	09159-10050-000	NUT, TRANSOM BOLT	2		
20	09160-10139-000	WASHER, TRANSOM (10.5X35X3)	2		
21	09160-10140-000	WASHER, TRANSOM (10.5X18X3)	2		
22	45420-95J01-000	PIN, TILT LOCK	1		
23	45425-95J00-000	STOPPER, TILT LOCK PIN	1		
24	09441-17004-000	SPRING, TILT LOCK PIN	1		

DP005454.TIF DF20RSK7(E1) K7 2007 / SWIVEL BRACKET

FIG.25



DF25 E01_025
SWIVEL BRACKET-C

Part List

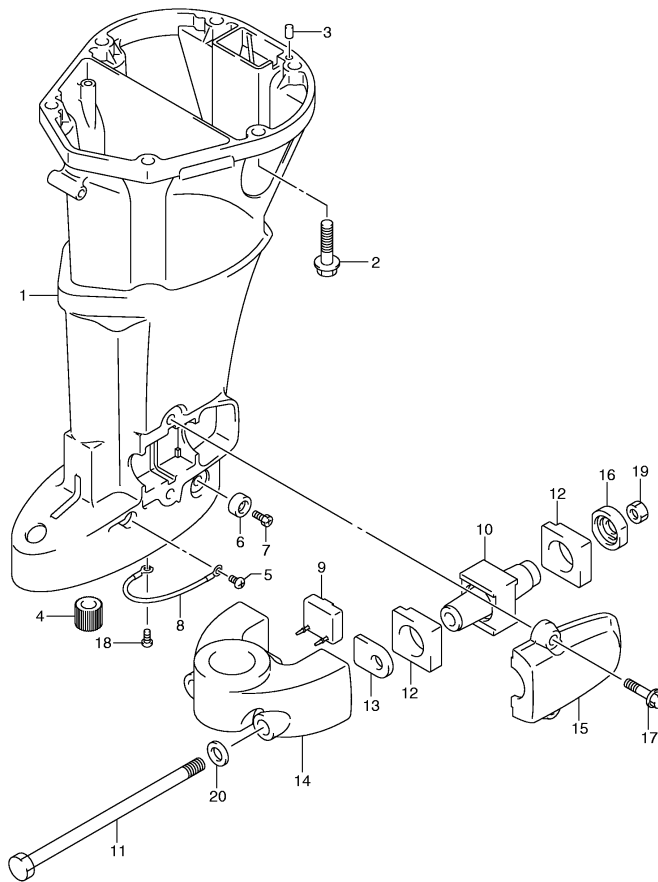
DP005454.TIF DF20RSK7(E1) K7 2007 / SWIVEL BRACKET

REF NO	PART NO	DESCRIPTION	QTY	KIT	NOTES
1	22511-99011-000	NIPPLE, GREASE SWIVEL BRKT	4		
2	43111-95J00-0EP	BRACKET, SWIVEL (S) (BLACK)	1		
2	43111-95J10-0EP	BRACKET, SWIVEL (L) (BLACK)	1		
3	43211-87J00-000	BUSH, SWIVEL BRACKET	2		
4	43711-89J10-000	BUSH, STEERING	2		
5	43750-95J00-0EP	BRACKET, STEERING (S) (BLACK)	1		
5	43750-95J10-0EP	BRACKET, STEERING (L) (BLACK)	1		
6	09181-39001-000	SHIM, SWIVEL BRACKET (39.5X64X0.3)	AR		
7	09282-39001-000	SEAL, SWIVEL BRACKET (39.2X51X5)	1		
8	09160-39001-000	WASHER, PILOT SHAFT (39.5X64X1)	1		
8A	43721-95J00-000	PLATE, STEERING UPPER (39.5X71X1)	1		
9	09380-38003-000	CIRCLIP, PILOT SHAFT LOWER	1		
10	09420-05003-000	KEY, PILOT SHAFT	1		
11	55321-87J00-000	ANODE, PROTECTION	1		
12	09103-06281-000	BOLT	1		
13	41225-94502-000	PIN, RELEASE ARM	1		
14	45211-95J00-000	SPRING, REVERSE LOCK	2		
15	45231-95J00-000	ARM, REVERSE LOCK	1		
16	45241-95J00-000	LINK, REVERSE LOCK ARM	1		
17	45250-95J00-000	LINK, RELEASE	1		
18	45261-95J00-000	LEVER, RELEASE	1		
19	09160-06082-000	WASHER, REV LOCK ARM LINK PIN (6.5X13X1.0)	1		
20	09200-06069-000	PIN, REV LOCK ARM	1		
21	09200-06070-000	PIN, REV LOCK ARM LINK	1		
22	09204-01002-000	PIN, REV LOCK ARM COTTER	2		
23	09306-22006-000	BUSH, RELEASE LEVER	2		
24	41223-95J01-000	ARM, TILT STOP	2		
25	09106-10078-000	BOLT, TILT STOP ARM	4		
26	43412-93900-000	COVER, STEERING ADJUSTER	1		
27	43417-95J00-000	ADJUSTER, STEERING	1		
28	09100-08227-000	BOLT, STEERING ADJ (8X27)	1		
29	09160-08091-000	WASHER, STRG ADJ (8.5X14X1.0)	1		
30	29440-93J00-000	SPRING, STEERING ADJUSTER	1		
31	43411-95J00-000	LEVER, STEERING ADJUSTER	1		EXCEPT TYPE:R
32	43415-95J00-000	PLATE, STEERING ADJUSTER	1		EXCEPT TYPE:R
33	43512-95J00-000	SHAFT, STEERING ADJUSTER	1		EXCEPT TYPE:R
34	43514-95J00-000	WASHER, FRICTION PLATE	2		EXCEPT TYPE:R
35	43514-95J10-000	PLATE, STRG ADJ FRICTION	1		EXCEPT TYPE:R
36	43516-89J00-000	WASHER, STEERING ADJUSTER	2		EXCEPT TYPE:R
37	09116-08137-000	BOLT, STRG ADJ PLATE (8X22)	2		EXCEPT TYPE:R, <-9116-08103
38	09159-08131-000	NUT, STEERING ADJUSTER	1		EXCEPT TYPE:R
39	09250-08010-000	PLUG, STEERING ADJUSTER	1		TYPE:R
40	45710-95J01-000	ARM, SHALLOW WATER DRIVE	1		
41	45722-95J00-000	SPRING, SHALLOW WA DRIVE ARM	1		
42	09106-10078-000	BOLT, SHALLOW WA DRIVE ARM	2		
43	43755-95J01-000	ATTACHMENT, STEERING BRACKET	1		TYPE:R
44	09100-10270-000	BOLT, STRG BRKT ATTACHMENT (10X25)	2		TYPE:R

45	09162-10005-000	WASHER, LOCK (10.2X18.4X2.5)	2	TYPE:R
46	21131-96010-000	MARK, CLUTCH SHIFT	1	EXCEPT TYPE:R

DP005429.TIF DF20RSK7(E1) K7 2007 / DRIVE SHAFT HOUSING

FIG.26



DF25 E01_026
DRIVE SHAFT HOUSING-C

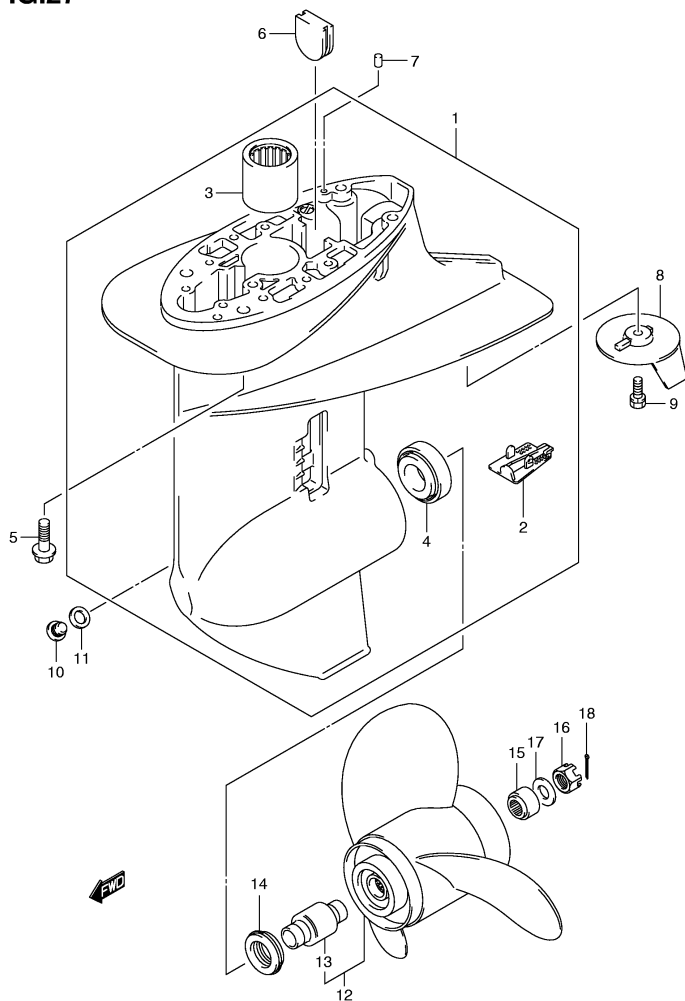
Part List

DP005429.TIF DF20RSK7(E1) K7 2007 / DRIVE SHAFT HOUSING

REF NO	PART NO	DESCRIPTION	QTY	KIT	NOTES
1	52111-95J00-0EP	HOUSING, DRIVE SHAFT (S) (BLACK)	1		
1	52111-95J10-0EP	HOUSING, DRIVE SHAFT (L) (BLACK)	1		
2	09116-10143-000	BOLT, DRIVE SHAFT HSG (10X40)	6		
3	09202-06023-000	PIN, DRIVE SHAFT HSG KNOCK	2		
4	57130-96300-000	BUSH, DRIVE SHAFT	1		TYPE:L
5	09125-06063-000	SCREW, MT BRKT TO HSG LEAD (6X10)	1		
6	55321-87J00-000	ANODE, PROTECTION	1		
7	09103-06281-000	BOLT	1		
8	36894-87D00-000	LEAD, MT BRKT TO HSG	1		
9	54151-95J00-000	MOUNT, LOWER THRUST	1		
10	54160-95J00-000	MOUNT, LOWER	2		
11	54166-95J02-000	BOLT, LOWER MOUNT	2		
12	54167-95J00-000	MOUNT, LOWER SIDE	4		
13	54170-95J00-000	CUSHION, LOWER SIDE	2		
14	54211-95J00-0EP	BRACKET, LOWER MOUNT (BLACK)	1		
15	54221-95J00-0EP	COVER, LOWER MOUNT (BLACK)	2		
16	54240-95J00-000	MOUNT, LOWER THRUST REV	2		
17	29116-93J10-000	BOLT, LOWER MOUNT COVER (8X35)	4		
18	09125-06063-000	SCREW, MT BRKT TO HSG LEAD	1		
19	09159-12014-000	NUT, LOWER MOUNT BOLT	2		
20	09160-12110-000	WASHER, LOWER MOUNT BOLT (12.5X22X3)	2		

DP005432.TIF DF20RSK7(E1) K7 2007 / GEAR CASE

FIG.27



DF25 E01_027
GEAR CASE-C

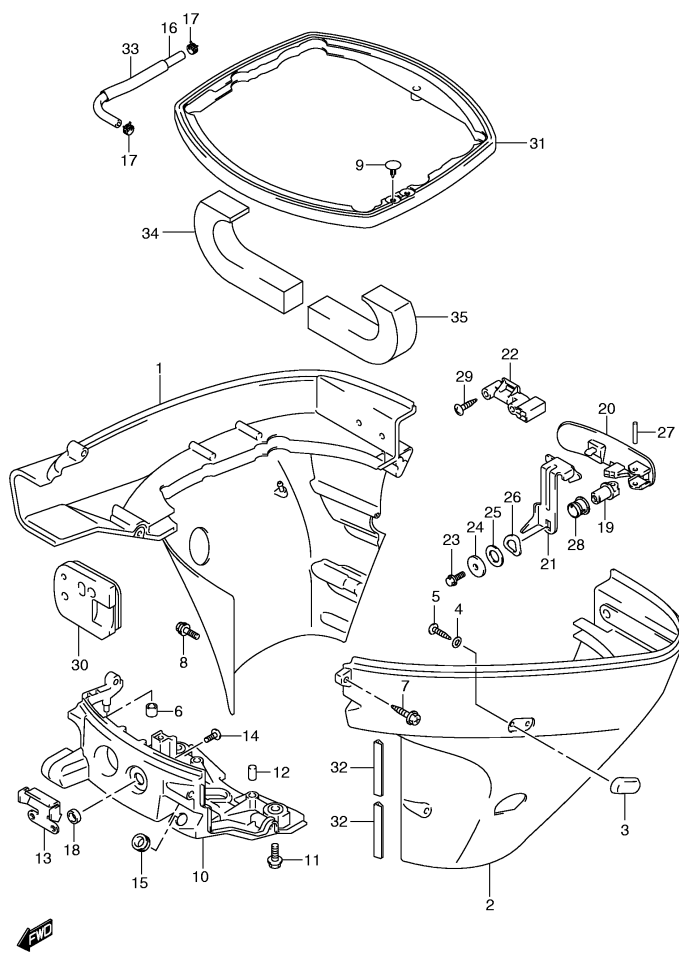
Part List

DP005432.TIF DF20RSK7(E1) K7 2007 / GEAR CASE

REF NO	PART NO	DESCRIPTION	QTY	KIT	NOTES
1	55100-95J00-0EP	CASE ASSY, GEAR (BLACK)	1		
2	55114-96310-000	COVER, GEAR CASE UNDER	1	*	
3	09263-20046-000	BEARING, PINION	1	*	
4	09265-25015-000	BEARING, PROP SHAFT	1	*	
5	09116-08122-000	BOLT (8X30)	4		
6	17566-87D11-000	GROMMET, GEAR CASE	1		
7	09202-06023-000	PIN, GEAR CASE KNOCK	2		
8	55125-96310-000	TAB, TRIM	1		
9	09116-08137-000	BOLT, TRIM TAB (8X22)	1		<-9116-08103
10	09248-10008-000	PLUG, DRAIN	2		
11	09168-10022-000	GASKET, DRAIN PLUG	2		
12	58100-96410-019	PROPELLER (3X10-1/4X10)	1		
12	58100-96420-019	PROPELLER (3X10-1/4X11)	1		
12	58100-96430-019	PROPELLER (3X10-1/4X12)	1		
12	58100-96440-019	PROPELLER (3X10-1/4X13)	1		
12	58100-95D00-019	PROPELLER (3X10-1/4X14)	1		
12	58100-96370-019	PROPELLER (3X10-1/4X9)	1		OPT
12	58100-96470-019	PROPELLER (3X10-1/4X10)	1		OPT
12	58100-96480-019	PROPELLER (3X10-1/4X12)	1		OPT
12	58100-96490-019	PROPELLER (3X10-1/4X13)	1		OPT
12	58100-96460-019	PROPELLER (3X10-1/4X15)	1		OPT
13	58120-96401-000	BUSH, PROPELLER	1	*	
14	57632-95J00-000	STOPPER, PROPELLER BUSH	1		
15	57633-96300-000	SPACER, PROPELLER NUT	1		
16	09141-14008-000	NUT	1		
17	09160-14028-000	WASHER	1		
18	09204-03003-000	PIN, COTTER	1		
19	57630-96300-000	PROPELLER NUT KIT	1		OPT NOT SHOWN, INC.NO.15~8
20	25700-95J00-000	SEALING KIT, GEAR CASE	1		OPT NOT SHOWN

DP005452.TIF DF20RSK7(E1) K7 2007 / SIDE COVER

FIG.28



DF25 E01_028
SIDE COVER-C

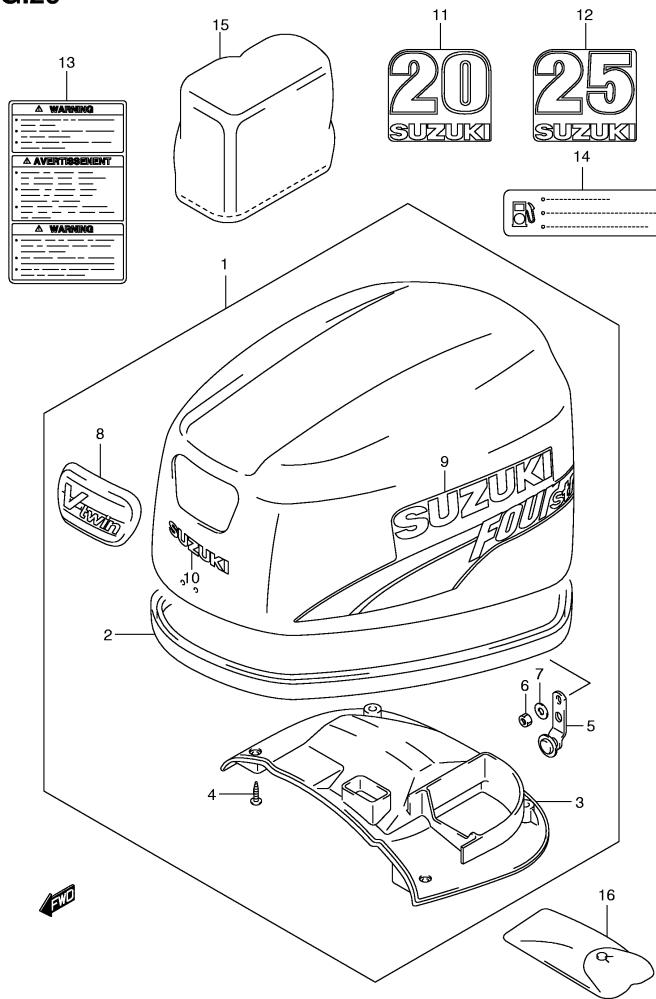
Part List

DP005452.TIF DF20RSK7(E1) K7 2007 / SIDE COVER

REF NO	PART NO	DESCRIPTION	QTY	KIT	NOTES
1	61810-95J01-0EP	COVER, SIDE STBD (BLACK)	1		
2	61821-95J01-0EP	COVER, SIDE PORT (BLACK)	1		
2	61821-95J11-0EP	COVER, SIDE PORT (BLACK)	1		TYPE:R
3	61851-95J01-000	PROTECTOR, SIDE COVER	1		EXCEPT TYPE:R
4	09160-05024-000	WASHER, PROTECTOR	2		EXCEPT TYPE:R
5	03542-05129-000	SCREW, PROTECTOR	2		EXCEPT TYPE:R
6	09320-05016-000	PROTECTOR, FRONT PANEL	1		
7	09136-06148-000	SCREW, SIDE COVER (6X35)	6		
8	09136-06149-000	SCREW, SIDE COVER (6X55)	1		
9	09409-05302-5PK	PIN, SIDE COVER SEAL (BLACK)	3		
10	61831-95J00-0EP	PANEL, FRONT (BLACK)	1		
11	09116-08137-000	BOLT, FRONT PANEL (8X22)	2		<-9116-08103
12	09202-08006-000	PIN, FRONT PANEL (BLACK)	2		
13	61412-95J00-000	HOOK, INSTRUMENT PANEL	1		
14	02142-05127-000	SCREW, INSTRUMENT PANEL HOOK	2		
15	09308-12012-000	GROMMET, FUEL CONNECTOR HOSE	1		
16	61157-89J00-000	HOSE, WATER INDICATOR	1		
17	09401-08413-000	CLIP, WATER INSPECTION HOSE	2		
18	09320-13024-000	CUSHION, WARNING INDICATOR	1		
19	61632-93J00-000	SHAFT, ENGINE COVER HOOK	1		
20	61633-95J01-000	LEVER, HOOK REAR	1		
21	61641-95J00-000	HOOK, ENGINE COVER	1		
22	61673-95J00-000	LATCH, HOOK LEVER	1		
23	09103-06092-000	BOLT, HOOK LEVER (6X15)	1		
24	09160-06160-000	WASHER, HOOK LEVER (6.5X24X4)	1		
25	09160-13008-000	WASHER, REAR HOOK LEVER (13.5X31.5X0.5)	1		
26	09164-14008-000	WASHER, WAVE	1		
27	09202-04022-000	PIN, HOOK LEVER	1		
28	09306-13007-000	BUSH, HOOK LEVER	1		
29	03542-06209-000	SCREW, HOOK LEVER LATCH	2		
30	61124-95J00-000	GROMMET, CABLE	1		MANUAL STARTER
30	61124-95J10-000	GROMMET, CABLE	1		ELECTRIC STARTER
30	61124-95J20-000	GROMMET, CABLE	1		TYPE:R
31	61134-95J01-000	SEAL, SIDE COVER	1		
32	61135-95J00-000	CUSHION, SIDE COVER	2		
33	18498-90J00-000	PROTECTOR, WTR INDICATOR HOSE	1		L:290->40
34	54144-95J00-000	SEAL, UPPER MOUNT STBD	1		
35	54145-95J00-000	SEAL, UPPER MOUNT PORT	1		

DP005449.TIF DF20RSK7(E1) K7 2007 / ENGINE COVER (MODEL:06~09)

FIG.29



DF25 E01_029
ENGINE COVER-C

Part List

DP005449.TIF DF20RSK7(E1) K7 2007 / ENGINE COVER (MODEL:06~09)

REF NO	PART NO	DESCRIPTION	QTY	KIT	NOTES
1	61400-95Y12-0EP	COVER SET, ENGINE (BLACK)	1		MANUAL STARTER
1	61400-95Y22-0EP	COVER SET, ENGINE (BLACK)	1		ELECTRIC STARTER, TYPE:R
2	61112-95J00-000	RUBBER, ENG COVER	1	*	
3	61433-95J00-000	COVER, AIR INTK INNER	1	*	
4	03542-05209-000	SCREW, AIR INTK INNER	4	*	
5	61610-95J00-000	FASTENER, REAR	1	*	
6	09140-06020-000	NUT, REAR FASTENER	1	*	
7	09160-06094-000	WASHER, REAR FASTENER	1	*	
8	61465-95J00-000	EMBLEM, ENGINE COVER	1	*	ELECTRIC STARTER, TYPE:R
9	61443-95J01-000	STRIPE, ENGINE COVER STBD	1	*	
9	61453-95J01-000	STRIPE, ENGINE COVER PORT	1	*	
10	68271-95J00-000	MARK, EMBLEM FRONT	1	*	
11	61435-95J20-000	MARK, EMBLEM REAR (20)	1		
12	61435-89J61-000	MARK, EMBLEM REAR (25)	1		
13	61458-99E31-000	LABEL, ENGINE COVER	1		
14	69716-99E13-000	LABEL, FUEL LIMITATION	1		
15	68110-94400-000	COVER, WEATHER	1		OPT
16	09800-81821-000	TOOL SET	1		

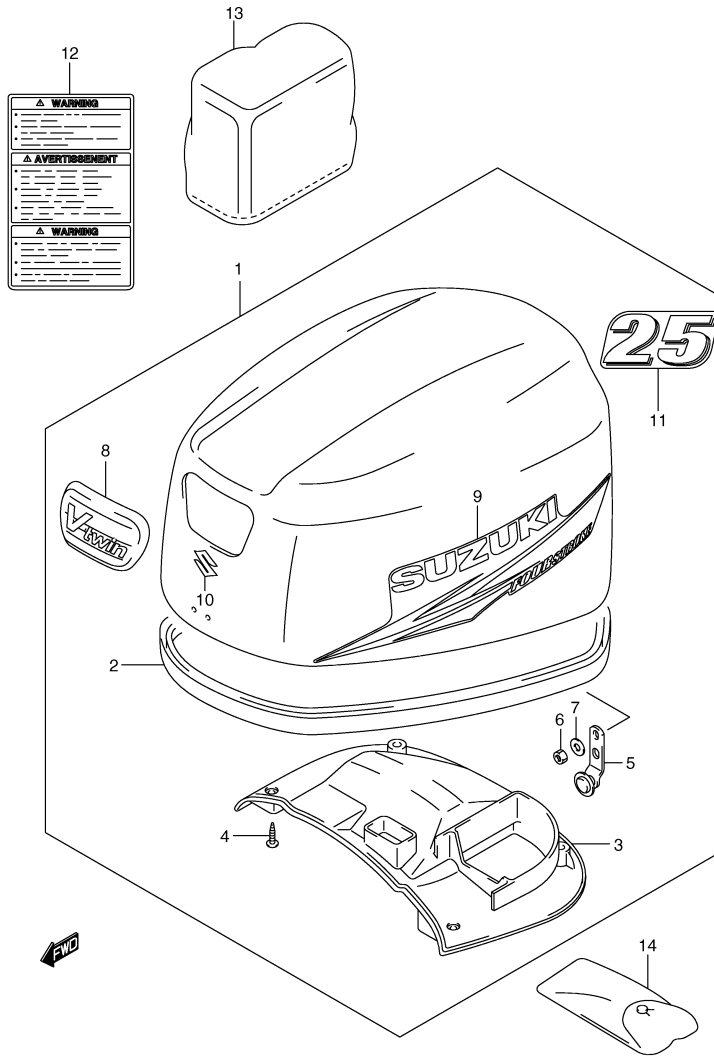
Page Notes

DP005449.TIF DF20RSK7(E1) K7 2007 / ENGINE COVER (MODEL:06~09)

NOTE TEXT
OEM: REFER TO FIG.29A(G- 5) FOR MODEL:10%

DP005683.TIF DF20RSK7(E1) K7 2007 / ENGINE COVER (MODEL:10~)

FIG.29A



DF25 E01_029A
ENGINE COVER (MODEL:10)

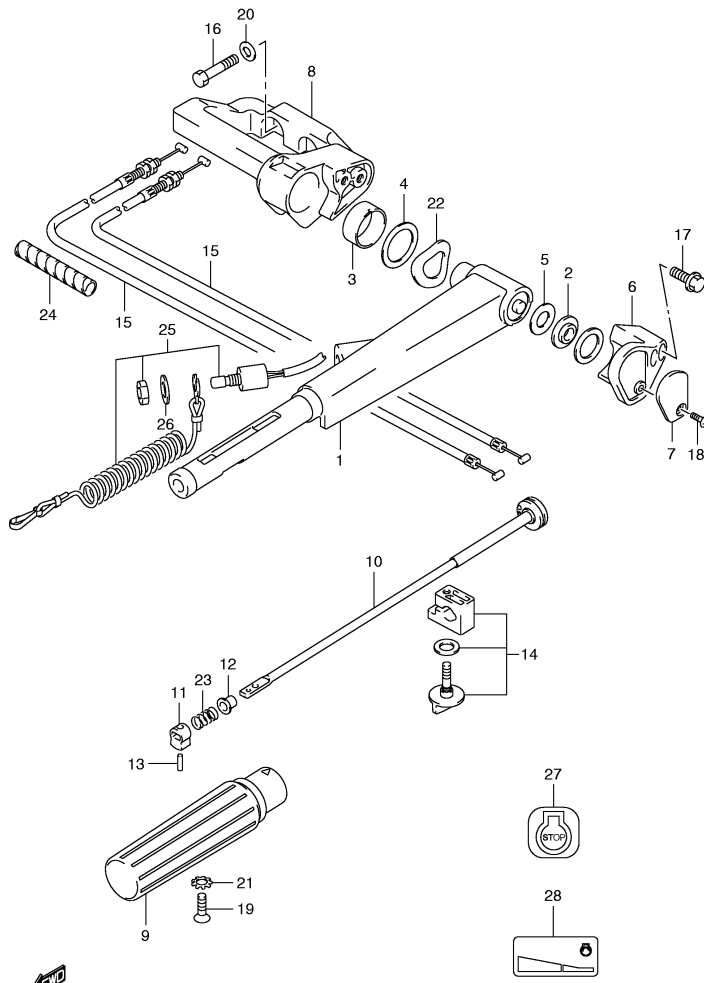
Part List

DP005683.TIF DF20RSK7(E1) K7 2007 / ENGINE COVER (MODEL:10~)

REF NO	PART NO	DESCRIPTION	QTY	KIT	NOTES
1	61400-95Y52-0EP	COVER SET, ENGINE (BLACK)	1		MANUAL STARTER
1	61400-95Y62-0EP	COVER SET, ENGINE (BLACK)	1		ELECTRIC STARTER, TYPE:R
2	61112-95J00-000	RUBBER, ENG COVER	1	*	
3	61433-95J00-000	COVER, AIR INTK INNER	1	*	
4	03542-05209-000	SCREW, AIR INTK INNER	4	*	
5	61610-95J00-000	FASTENER, REAR	1	*	
6	09140-06020-000	NUT, REAR FASTENER	1	*	
7	09160-06094-000	WASHER, REAR FASTENER	1	*	
8	61465-95J00-000	EMBLEM, ENGINE COVER	1	*	ELECTRIC STARTER, TYPE:R
9	61443-95J21-000	STRIPE, ENGINE COVER STBD	1	*	
9	61453-95J21-000	STRIPE, ENGINE COVER PORT	1	*	
10	68111-18G20-000	EMBLEM, "S"	1	*	
11	61435-95J41-000	MARK, EMBLEM REAR (25)	1	*	
12	61458-99E31-000	LABEL, ENGINE COVER	1		
12	61458-99E40-000	LABEL, ENGINE COVER	1		DF25:010624~
13	68110-94400-000	COVER, WEATHER	1		OPT
14	09800-81822-000	TOOL SET	1		

DP005439.TIF DF20RSK7(E1) K7 2007 / TILLER HANDLE

FIG.30



DF25 E01_030
TILLER HANDLE-C

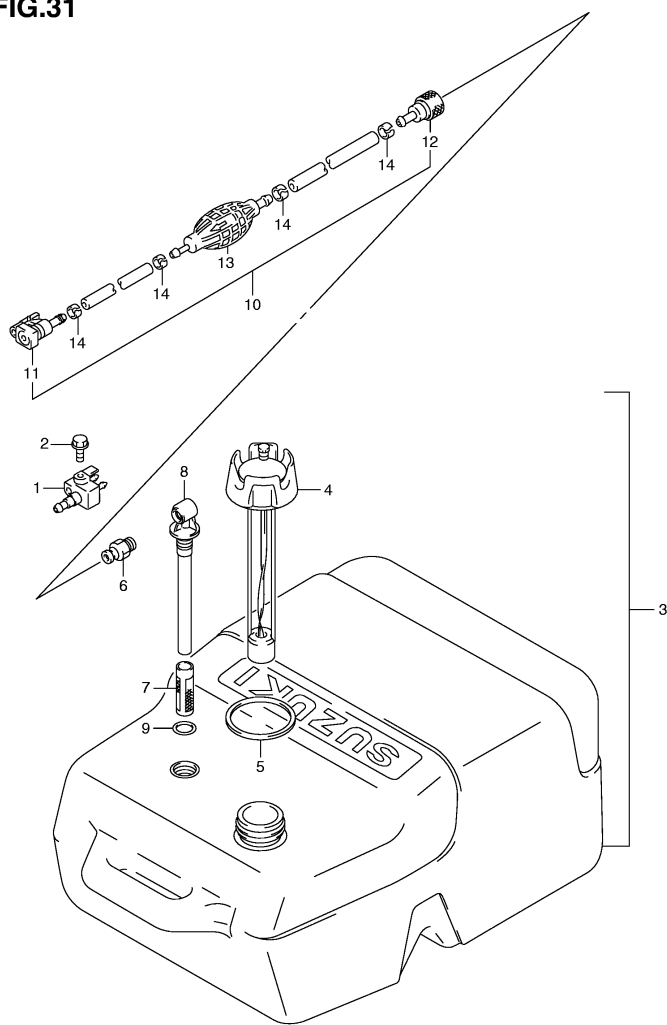
Part List

DP005439.TIF DF20RSK7(E1) K7 2007 / TILLER HANDLE

REF NO	PART NO	DESCRIPTION	QTY	KIT	NOTES
1	63111-95J00-0EP	HANDLE, TILLER	1		
2	63114-94300-000	SPACER, HANDLE COVER	1		
3	63115-89J00-000	BUSH, TILLER HANDLE	1		
4	63115-96310-000	SPACER, HANDLE COVER INSIDE	1		
5	63118-94300-000	SHIM (13.2X31X0.3)	1		
6	63121-95J00-0EP	COVER, TILLER HANDLE	1		
7	63122-95J00-000	PROTECTOR, HANDLE COVER	1		
8	63131-95J00-0EP	BRACKET, TILLER HANDLE	1		
9	63210-93E30-000	GRIP, HANDLE	1		
10	63220-96320-000	ROD, HANDLE	1		
11	63223-89J00-000	STOPPER, HANDLE ROD	1		
12	63225-93200-000	BUSH, HANDLE ROD	1		
13	63227-93200-000	PIN, HANDLE ROD	1		
14	63240-97E10-000	ADJUSTER SET, HANDLE GRIP	1		
15	63610-95J01-000	CABLE ASSY, THROTTLE	2		
16	09100-10220-000	BOLT, HANDLE BRACKET (10X35)	2		
17	09116-08137-000	BOLT, HANDLE COVER (8X22)	2		<-9116-08103
18	09125-05042-000	SCREW, HANDLE COVER PROTECTOR (5X10)	1		
19	09126-06015-000	SCREW, HANDLE GRIP (6X23)	1		
20	09160-10098-000	WASHER, HANDLE BRKT (10X18X1)	2		
21	09163-06001-000	WASHER, HANDLE GRIP SCREW	1		
22	09164-32005-000	WASHER, WAVE	1		
23	09440-12027-000	SPRING, HANDLE ROD	1		
24	33833-91J00-000	TUBE, THROTTLE CABLE	1		
25	37830-95J02-000	SWITCH ASSY, EMERGENCY & STOP	1		
26	09160-12067-000	WASHER, EMERGENCY SWITCH (12.5X23X1)	1		
27	37835-95D00-000	LABEL, STOP	1		
28	69714-95J00-000	MARK, HANDLE GRIP	1		

DP005425.TIF DF20RSK7(E1) K7 2007 / FUEL TANK (RESIN)

FIG.31



DF25 E01_031
FUEL TANK (RESIN)-C

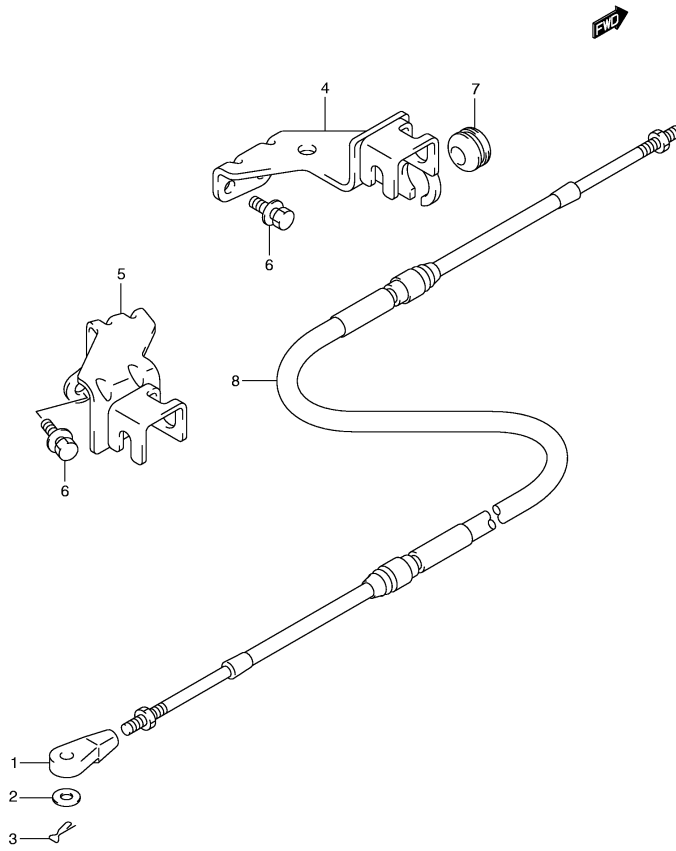
Part List

DP005425.TIF DF20RSK7(E1) K7 2007 / FUEL TANK (RESIN)

REF NO	PART NO	DESCRIPTION	QTY	KIT	NOTES
1	65720-986B0-000	PLUG, FUEL CONNECTOR	1		
2	09103-06237-000	BOLT (6X12.5)	1		
3	65000-95D01-000	TANK ASSY, FUEL (25L)	1		
4	65520-95D00-000	CAP	1	*	
5	65561-95D00-000	GASKET, TANK CAP	1	*	
6	65740-95D01-000	PLUG, FUEL CONNECTOR	1	*	
7	65831-95D00-000	FILTER, OUTLET	1	*	
8	65890-95D00-000	OUTLET ASSY	1	*	
9	65892-95D00-000	O RING, OUTLET	1	*	
10	65700-87J13-000	HOSE, FUEL	1		
11	65750-87J11-000	SOCKET, FUEL HOSE	1	*	
12	65750-95500-000	SOCKET, FUEL HOSE	1	*	
13	65770-95505-000	PUMP, SQUEEZE	1	*	
14	65781-98500-000	CLIP	4	*	

DP005406.TIF DF20RSK7(E1) K7 2007 / REMOCON CABLE (TYPE:R)

FIG.32



DF25 E01_032
REMOCON CABLE (TYPE:R)-C

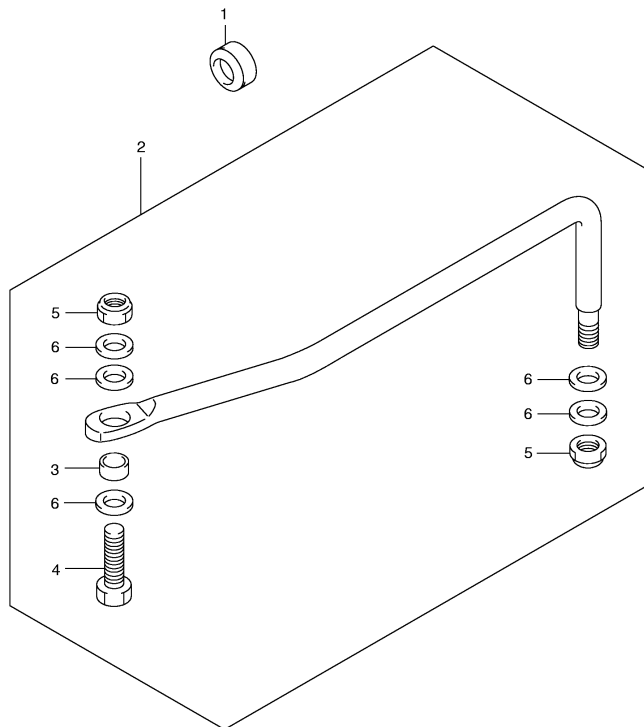
Part List

DP005406.TIF DF20RSK7(E1) K7 2007 / REMOCON CABLE (TYPE:R)

REF NO	PART NO	DESCRIPTION	QTY	KIT	NOTES
1	67467-89J01-000	CONNECTOR, REMOCON CABLE	2		
2	09160-06055-000	WASHER (7X12X1.0)	2		
3	09385-06012-000	CLIP	2		
4	67340-95J01-000	HOLDER, REMOCON CABLE	1		CLUTCH
5	67350-95J01-000	HOLDER, REMOCON CABLE	1		THROTTLE
6	09116-06094-000	BOLT, R/CON CA HOLDER (6X15)	4		
7	09308-08013-000	GROMMET, REMOCON CABLE	1		
8	67320-93J00-000	CABLE, REMOCON 8F (2.4M)	2		OPT
8	67320-93J10-000	CABLE, REMOCON 10F (3.1M)	2		OPT
8	67320-93J20-000	CABLE, REMOCON 12F (3.7M)	2		OPT
8	67320-93J30-000	CABLE, REMOCON 14F (4.3M)	2		OPT
8	67320-93J40-000	CABLE, REMOCON 16F (4.9M)	2		OPT
8	67320-93J50-000	CABLE, REMOCON 18F (5.5M)	2		OPT
8	67320-93J60-000	CABLE, REMOCON 20F (6.1M)	2		OPT
8	67320-93J70-000	CABLE, REMOCON 22F (6.7M)	2		OPT
8	67320-93J80-000	CABLE, REMOCON 24F (7.3M)	2		OPT

DP005403.TIF DF20RSK7(E1) K7 2007 / DRAG LINK (TYPE:R)

FIG.33



DF25 E01_033
DRAG LINK (TYPE:R)-C

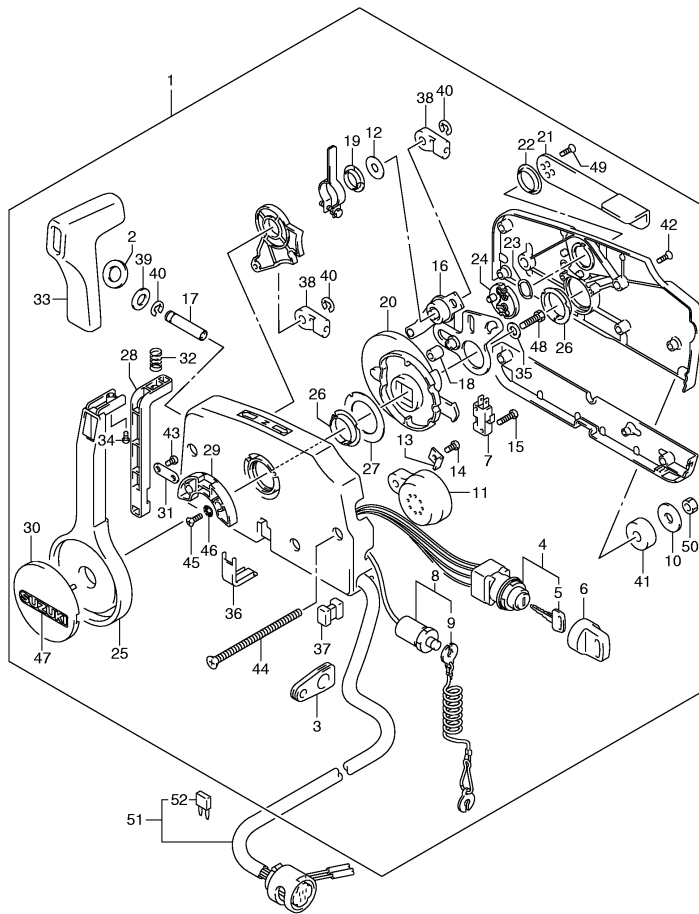
Part List

DP005403.TIF DF20RSK7(E1) K7 2007 / DRAG LINK (TYPE:R)

REF NO	PART NO	DESCRIPTION	QTY	KIT	NOTES
1	41161-94400-000	SEAL, STEERING CABLE	1		
2	67701-95J00-000	LINK ASSY, DRAG	1		
3	67721-89J00-000	SPACER	1	*	
4	67725-95J00-000	BOLT, DRAG LINK	1	*	
5	67726-99E00-000	NUT	2	*	
6	67728-99E00-000	WASHER	5	*	

DP005463.TIF DF20RSK7(E1) K7 2007 / REMOTE CONTROL BOX

FIG.34



DF25 E01_034
REMOTE CONTROL BOX-C

Part List

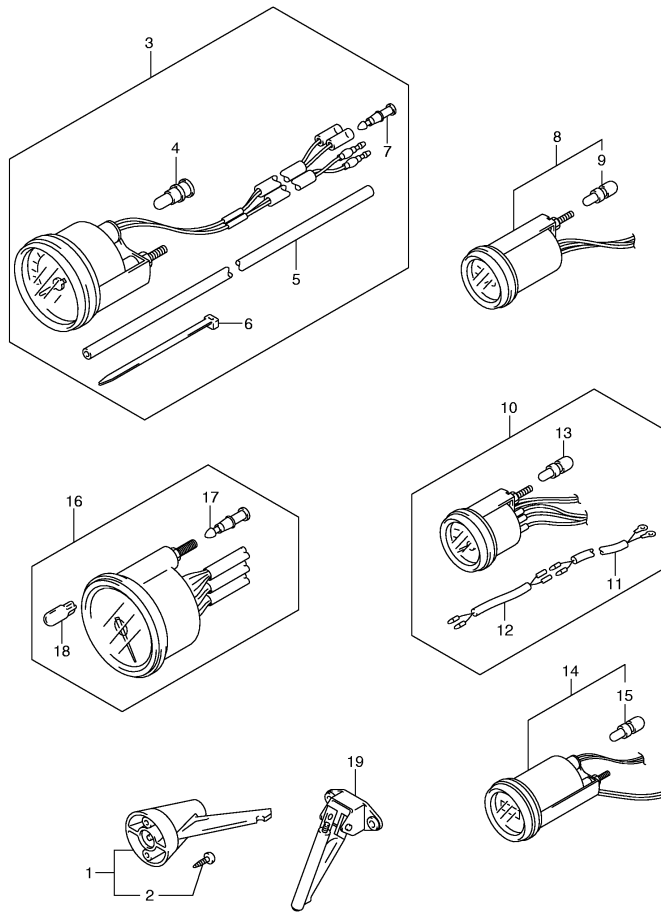
DP005463.TIF DF20RSK7(E1) K7 2007 / REMOTE CONTROL BOX

REF NO	PART NO	DESCRIPTION	QTY	KIT	NOTES
1	67200-94J12-000	REMOTE CONTROL ASSY	1		
2	37859-90J00-000	SPACER	1	*	
3	36628-92E00-000	GROMMET, WIRE HARNESS	1	*	
4	37110-94J00-000	SWITCH ASSY, IGNITION	1	*	
5	37141-99E00-000	KEY (931)	1	**	
5	37141-99E10-000	KEY (932)	1	**	
5	37141-99E20-000	KEY (933)	1	**	
5	37141-99E30-000	KEY (934)	1	**	
5	37141-99E40-000	KEY (935)	1	**	
5	37141-99E50-000	KEY (936)	1	**	
5	37141-99E60-000	KEY (937)	1	**	
5	37141-99E70-000	KEY (938)	1	**	
5	37141-99E80-000	KEY (939)	1	**	
5	37141-99E90-000	KEY (940)	1	**	
5	37141-99EA0-000	KEY (941)	1	**	
5	37141-99EB0-000	KEY (942)	1	**	
6	37143-99E00-000	CAP, KEY	1	**	
7	37721-93J90-000	SWITCH, NEUTRAL	1	*	
8	37820-93J03-000	SWITCH ASSY, EMERGENCY	1	*	
9	37823-92E01-000	PLATE	1	**	
10	09160-06104-000	WASHER	3	*	
11	38500-93J00-000	BUZZER	1	*	
12	67212-95600-000	WASHER	1	*	
13	67213-92E00-000	BRACKET, BUZZER	1	*	
14	09125-05042-000	SCREW, BUZZER BRKT	1	*	
15	67296-92E10-000	SCREW, NEUTRAL SW	2	*	
16	67220-95630-000	PLATE ASSY	1	*	
17	67223-99E10-000	KNOB, BRAKE ADJ	1	*	
18	67229-95600-000	ROLLER	1	*	
19	67232-95600-000	BUSH	1	*	
20	67238-87D00-000	GEAR, DRIVE	1	*	
21	67241-99E10-000	LEVER, FREE THROTTLE	1	*	
22	67243-95600-000	BUSH	1	*	
23	67244-95600-000	WASHER, WAVE	1	*	
24	67245-95600-000	DRUM, FREE THROTTLE	1	*	
25	67251-99E10-000	LEVER, HANDLE	1	*	
26	67252-95600-000	BUSH	2	*	
27	67253-95600-000	WASHER	1	*	
28	67255-99E00-000	ARM, LOCK	1	*	
29	67256-95600-000	HOLDER, NEUT LOCK	1	*	
30	67257-99E00-000	CAP, LEVER	1	*	
31	67258-99E00-000	BRACKET, LOCK ARM	1	*	
32	67259-87D00-000	SPRING, NEUTRAL ARM	1	*	
33	67261-99E00-000	GRIP	1	*	
34	67296-94310-000	SCREW	1	*	
35	67264-95600-000	WASHER	1	*	
36	67267-95610-000	COVER, WIRE	1	*	
37	67273-95600-000	SPACER	1	*	
38	67275-95600-000	END, CABLE	2	*	
39	67288-92E00-000	WASHER, BRAKE ADJ KNOB	1	*	
40	67292-94300-000	E RING	3	*	
41	67294-95600-000	SPACER	3	*	
42	67296-90J00-000	SCREW	5	*	
43	67296-94300-000	SCREW	2	*	
44	67296-95600-000	SCREW	3	*	
45	67296-95610-000	SCREW	2	*	
46	67297-95600-000	WASHER	2	*	
47	68165-16B00-13L	EMBLEM	1	*	
48	09100-08232-000	BOLT	1	*	
49	09126-05003-000	SCREW	2	*	
50	09140-06020-000	NUT	3	*	

51	36620-94J01-000	WIRE ASSY, REMOTE CONTROL	1		L:5000
52	09481-10501-000	FUSE (10A)	1	*	

DP005435.TIF DF20RSK7(E1) K7 2007 / OPT:METER

FIG.35



DF25 E01_035
OPT:METER-C

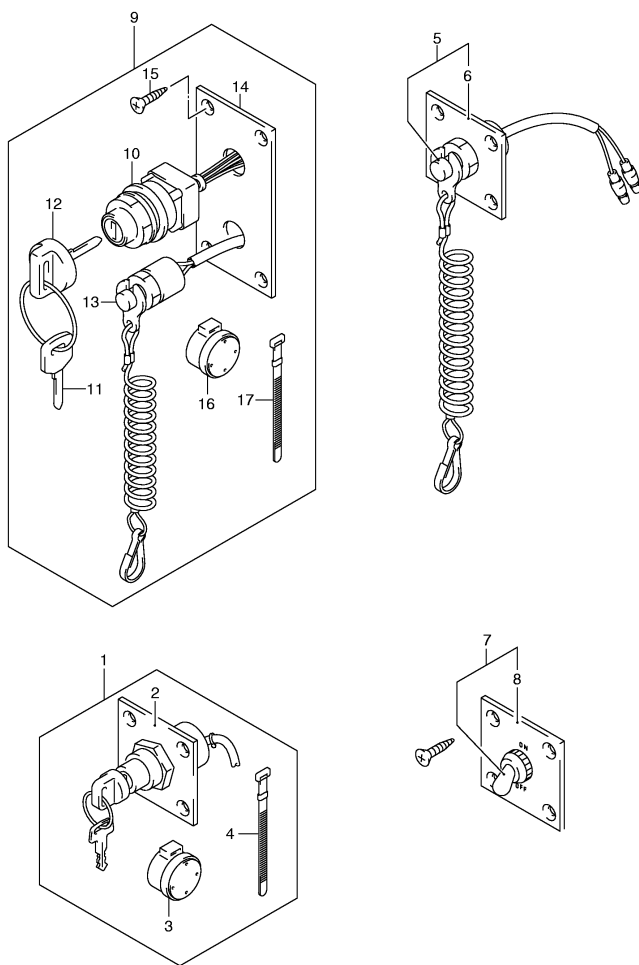
Part List

DP005435.TIF DF20RSK7(E1) K7 2007 / OPT:METER

REF NO	PART NO	DESCRIPTION	QTY	KIT	NOTES
1	34190-95500-000	SENDER ASSY, SPEEDOMETER	1		
2	03112-06303-000	SCREW	2	*	
3	34100-93J20-000	SPEEDOMETER ASSY	1		MAX 80KM/H BLACK
3	34100-93J31-000	SPEEDOMETER ASSY	1		MAX 80KM/H WHITE
3	34100-93J40-000	SPEEDOMETER ASSY	1		MAX 45KNOTS BLACK
3	34100-93J51-000	SPEEDOMETER ASSY	1		MAX 45KNOTS WHITE
4	09471-12028-000	BULB	1	*	
5	34191-92E00-000	TUBE	1	*	
6	09407-14407-000	BAND	2	*	
7	36615-96300-000	TERMINAL, RESIN	2	*	
8	34600-93J00-000	METER ASSY, VOLTAGE	1		BLACK
8	34600-93J11-000	METER ASSY, VOLTAGE	1		WHITE
9	09471-12103-000	BULB	1	*	
10	34300-93J00-000	GAUGE ASSY, FUEL	1		BLACK
10	34300-93J11-000	GAUGE ASSY, FUEL	1		WHITE
11	34310-92E00-000	LEAD, FUEL GAUGE	1	*	
12	34360-92E00-000	ADAPTER, FUEL GAUGE	1	*	
13	09471-12103-000	BULB	1	*	
14	34500-93J00-000	METER ASSY, HOUR	1		BLACK
14	34500-93J11-000	METER ASSY, HOUR	1		WHITE
15	09471-12103-000	BULB	1	*	
16	34200-93J20-000	TACHOMETER ASSY	1		BLACK
16	34200-93J31-000	TACHOMETER ASSY	1		WHITE
17	36615-96300-000	TERMINAL, RESIN	4	*	
18	09471-12028-000	BULB	1	*	
19	34190-87D00-000	SENDER, SPEEDOMETER	1		

DP005431.TIF DF20RSK7(E1) K7 2007 / OPT:SWITCH

FIG.36



DF25 E01_036
OPT:SWITCH-C

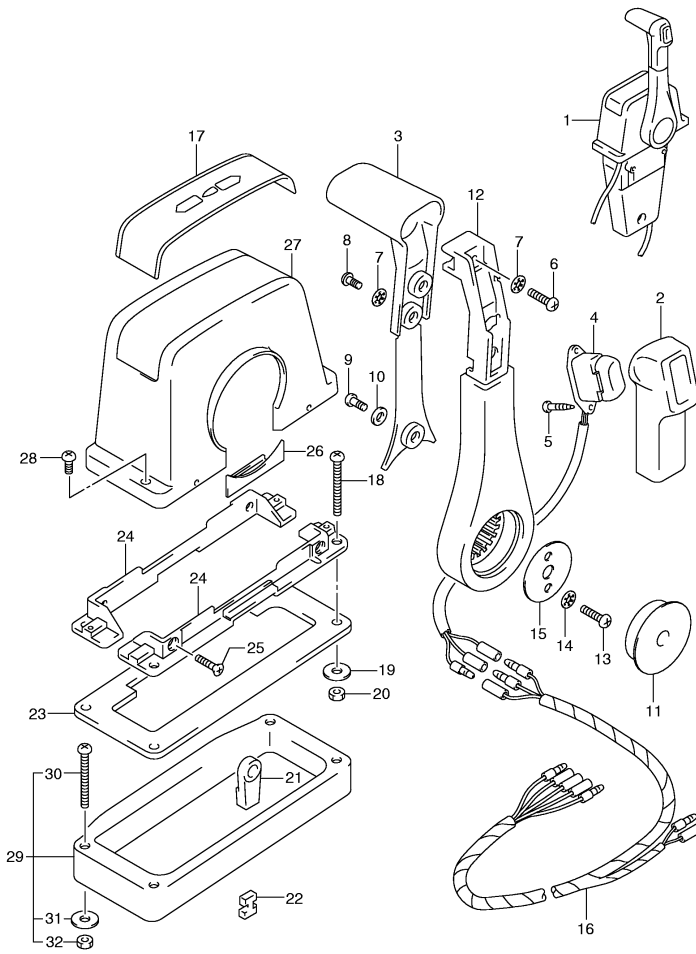
Part List

DP005431.TIF DF20RSK7(E1) K7 2007 / OPT:SWITCH

REF NO	PART NO	DESCRIPTION	QTY	KIT	NOTES
1	37100-96J00-000	PANEL ASSY, IGNITION SW	1		
2	37139-99E00-000	PANEL, IGNITION SW	1	*	
3	38500-93J90-000	BUZZER ASSY, WARNING	1	*	
4	09407-08401-000	CLAMP, BUZZER	1	*	
5	37803-93J03-000	PANEL ASSY, EMERGENCY SW	1		
6	37825-99E00-000	PANEL, EMERGENCY SW	1	*	
7	37210-93J00-000	PANEL ASSY, LIGHTING SW	1		
8	37212-93J00-000	PANEL, LIGHTING SW	1	*	
9	37100-96J23-000	PANEL ASSY, ENGINE SW	1		
10	37110-93J00-000	SWITCH ASSY, IGNITION	1	*	
11	37141-99E00-000	KEY (931)	1	**	
11	37141-99E10-000	KEY (932)	1	**	
11	37141-99E20-000	KEY (933)	1	**	
11	37141-99E30-000	KEY (934)	1	**	
11	37141-99E40-000	KEY (935)	1	**	
11	37141-99E50-000	KEY (936)	1	**	
11	37141-99E60-000	KEY (937)	1	**	
11	37141-99E70-000	KEY (938)	1	**	
11	37141-99E80-000	KEY (939)	1	**	
11	37141-99E90-000	KEY (940)	1	**	
11	37141-99EA0-000	KEY (941)	1	**	
11	37141-99EB0-000	KEY (942)	1	**	
12	37143-99E00-000	CAP, KEY	1	**	
13	37820-93J03-000	SWITCH ASSY, EMERGENCY	1	*	
14	37139-99E20-000	PANEL	1	*	
15	03121-0516A-000	SCREW	4	*	
16	38500-93J90-000	BUZZER ASSY, WARNING	1	*	
17	09407-08401-000	CLAMP, BUZZER	1	*	

DP005455.TIF DF20RSK7(E1) K7 2007 / OPT:TOP MOUNT SINGLE (1)

FIG.37



DF25 E01_037
OPT:TOP MOUNT SINGLE (1)-C

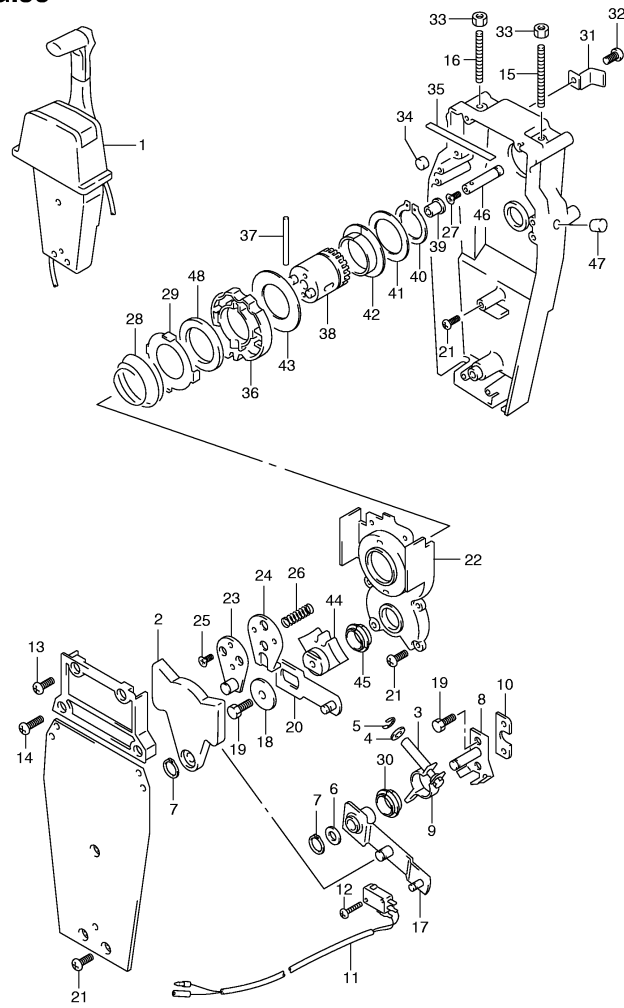
Part List

DP005455.TIF DF20RSK7(E1) K7 2007 / OPT:TOP MOUNT SINGLE (1)

REF NO	PART NO	DESCRIPTION	QTY	KIT	NOTES
1	67200-93J12-000	REMOTE CONTROL ASSY	1		PUSH
2	67261-93J00-000	GRIP, NO.1	1	*	
3	67263-93J00-000	GRIP, NO.2	1	*	
4	37850-93J10-000	SWITCH ASSY, PTT	1	*	
5	67295-92E10-000	SCREW	2	*	
6	67296-88D10-000	SCREW	1	*	
7	67288-92E20-000	WASHER	3	*	
8	67295-92E00-000	SCREW	2	*	
9	67296-92E70-000	SCREW	1	*	
10	67288-92E40-000	WASHER	1	*	
11	67257-92E00-000	CAP, LEVER	1	*	
12	67251-93J00-000	LEVER, HANDLE	1	*	
13	67296-92E60-000	SCREW	2	*	
14	67288-92E30-000	WASHER	2	*	
15	67253-92E00-000	WASHER	1	*	
16	36890-93J00-000	WIRE HARNESS	1	*	
17	67281-93J00-000	DECAL	1	*	
18	67296-92E30-000	SCREW	4	*	
19	09160-05024-000	WASHER	4	*	
20	67287-92E00-000	NUT	4	*	
21	67275-95600-000	END, CABLE	2	*	
22	67273-95600-000	SPACER	1	*	
23	67273-92E00-000	GROMMET	1	*	
24	67274-92E00-000	FLANGE	2	*	
25	67296-95610-000	SCREW	4	*	
26	67271-92E00-000	COVER	1	*	
27	67211-93J00-000	COVER	1	*	
28	67296-92E70-000	SCREW	2	*	
29	67500-93J00-000	KIT, REMOCON SPACER SINGLE	1		
30	09125-05135-000	SCREW	4	*	
31	09160-05029-000	WASHER	4	*	
32	09140-05005-000	NUT	4	*	

DP005444.TIF DF20RSK7(E1) K7 2007 / OPT:TOP MOUNT SINGLE (2)

FIG.38



DF25 E01_038
OPT:TOP MOUNT SINGLE (2)-C

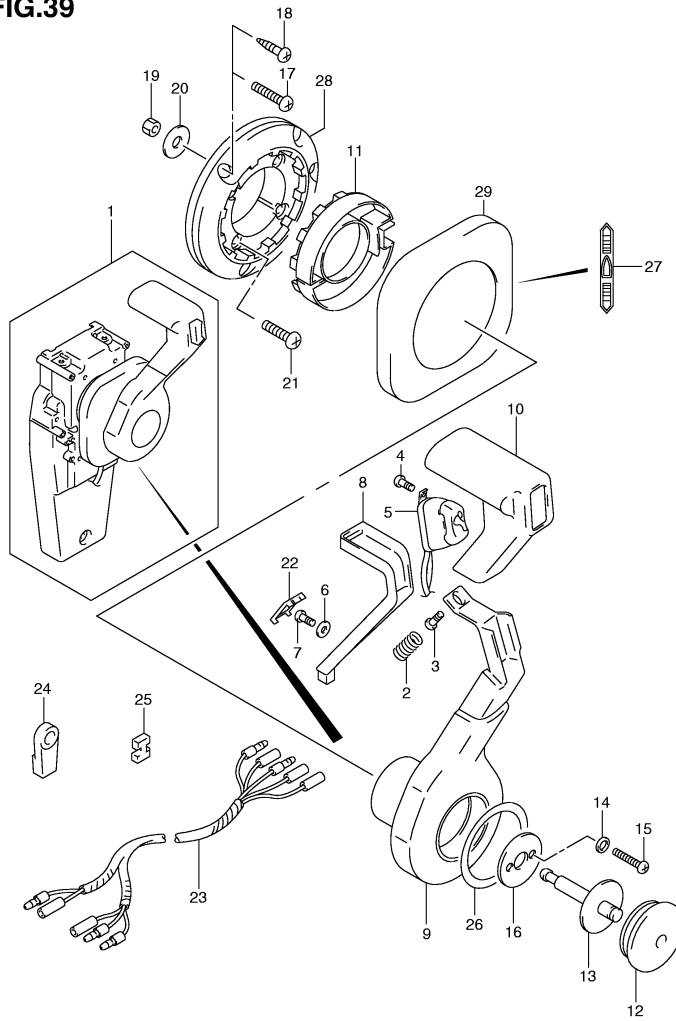
Part List

DP005444.TIF DF20RSK7(E1) K7 2007 / OPT:TOP MOUNT SINGLE (2)

REF NO	PART NO	DESCRIPTION	QTY	KIT	NOTES
1	67200-93J12-000	REMOTE CONTROL ASSY	1		PUSH
2	67222-92E00-000	DUAL PLATE	1	*	
3	67223-92E00-000	BRAKE ADJUST	1	*	
4	67288-92E00-000	WASHER	1	*	
5	67292-94300-000	E RING	4	*	
6	67288-92E10-000	WASHER	1	*	
7	67291-92E00-000	SNAP RING	2	*	
8	67221-92E00-000	SHIFT ASSY	1	*	
9	67224-92E00-000	BRAKE ARM ASSY	1	*	
10	67294-92E00-000	SPACER	1	*	
11	37721-95500-000	SWITCH ASSY, N/R	1	*	
12	67296-92E10-000	SCREW (3X15)	2	*	
13	67296-88D10-000	SCREW (5X16)	2	*	
14	67296-92E20-000	SCREW (5X25)	2	*	
15	67226-92E00-000	BOLT, STOPPER FRONT	1	*	
16	67226-92E10-000	BOLT, STOPPER REAR	1	*	
17	67240-92E00-000	ARM ASSY, THROTTLE	1	*	
18	67228-92E00-000	WASHER	1	*	
19	67286-92E00-000	BOLT (6X18)	3	*	
20	67230-92E00-000	ARM ASSY, SHIFT	1	*	
21	09125-05042-000	SCREW (5X10)	9	*	
22	67234-92E00-000	CASE, GEAR	1	*	
23	67245-92E00-000	LEVER ASSY, THROTTLE	1	*	
24	67227-92E00-000	STOPPER	1	*	
25	09126-06006-000	SCREW (6X20)	2	*	
26	67225-92E00-000	SPRING	1	*	
27	09125-04004-000	SCREW (4X6)	1	*	
28	67233-92E00-000	SPRING	1	*	
29	67235-92E00-000	PLATE, SHIFT LOCK	1	*	
30	67232-95620-000	BUSH	1	*	
31	67269-92E00-000	BRACKET	1	*	
32	67296-88D10-000	SCREW	1	*	
33	09140-06020-000	NUT	2	*	
34	67236-92E00-000	ROLLER	1	*	
35	67237-92E01-000	SPRING	6	*	
36	67238-92E00-000	GEAR, DRIVE	1	*	
37	67239-92E00-000	PIN	1	*	
38	67246-92E00-000	SHIFT, DRIVE	1	*	
39	67252-92E00-000	BUSH	1	*	
40	67291-92E10-000	SNAP RING	1	*	
41	67253-92E10-000	WASHER	1	*	
42	67252-92E10-000	BUSH	1	*	
43	67253-95600-000	WASHER	1	*	
44	67231-92E00-000	GEAR, SHIFT	1	*	
45	67232-95600-000	BUSH	1	*	
46	67241-92E00-000	ROD, FREE ACC	1	*	
47	67243-92E00-000	GROMMET	1	*	
48	67239-92E10-000	PLATE, SHIFT PIN	1	*	

DP005443.TIF DF20RSK7(E1) K7 2007 / OPT: CONCEALED REMOCON (1)

FIG.39



DF25 E01_039
OPT: CONCEALED REMOCON (1)-C

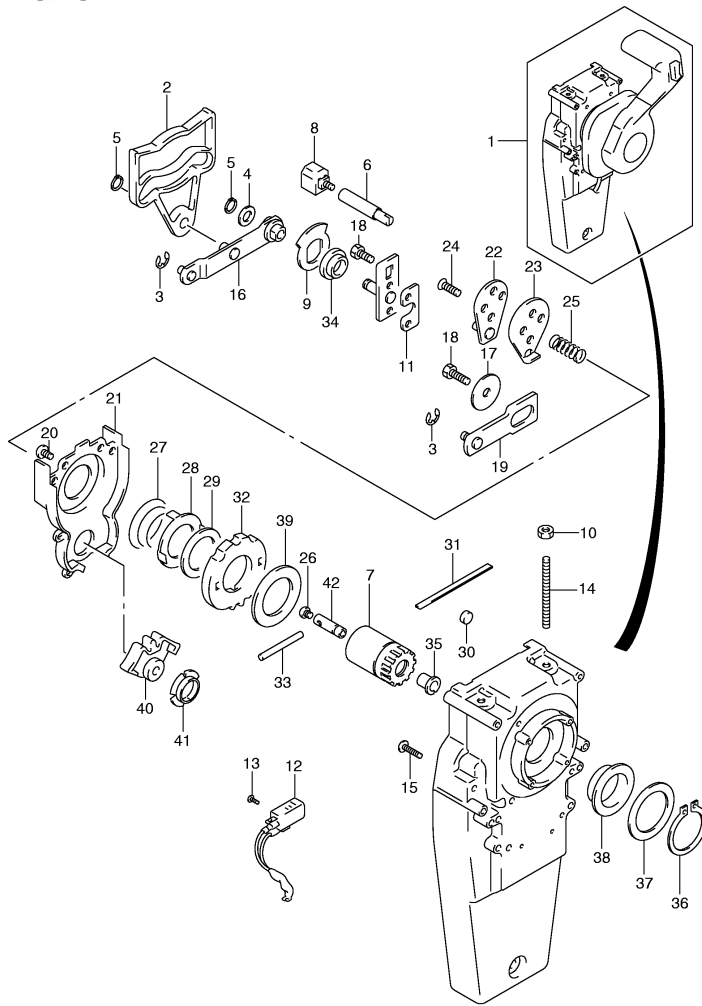
Part List

DP005443.TIF DF20RSK7(E1) K7 2007 / OPT: CONCEALED REMOCON (1)

REF NO	PART NO	DESCRIPTION	QTY	KIT	NOTES
1	67200-93J31-000	REMOTE CONTROL ASSY, CONCEALED	1		
2	67298-92E50-000	SPRING	1	*	
3	67296-94310-000	SCREW	1	*	
4	67295-92E10-000	SCREW (3X12)	2	*	
5	37850-92E26-000	SWITCH ASSY, PTT	1	*	
6	67288-92E60-000	WASHER	1	*	
7	09125-04021-000	SCREW (4X20)	1	*	
8	67255-92E50-000	ARM, NEUTRAL LOCK	1	*	
9	67251-92E50-000	LEVER	1	*	
10	67261-92E50-000	GRIP	1	*	
11	67256-92E50-000	HOLDER, NEUTRAL LOCK	1	*	
12	67257-92E00-000	CAP, LEVER	1	*	
13	67242-92E50-000	SHAFT, FREE ACC	1	*	
14	67288-92E20-000	WASHER	6	*	
15	67296-88D10-000	SCREW (5X16)	4	*	
16	67288-92E70-000	WASHER	1	*	
17	67296-88D20-000	SCREW (6X35)	3	*	
18	67295-92E50-000	SCREW (6X30)	3	*	
19	67287-92E50-000	NUT	3	*	
20	09160-06104-000	WASHER	3	*	
21	67296-88D30-000	SCREW (5X30)	4	*	
22	67254-92E50-000	COVER, LOCK ARM	1	*	
23	36890-93J00-000	WIRING ASSY	1	*	
24	67275-95600-000	END, CABLE	2	*	
25	67273-95600-000	SPACER	1	*	
26	67283-92E50-000	DECAL, LEVER	1	*	
27	67284-92E50-000	DECAL, CLUTCH	1	*	
28	67274-92E50-000	BASE	1	*	
29	67211-92E50-000	COVER	1	*	

DP005446.TIF DF20RSK7(E1) K7 2007 / OPT:CONCEALED REMOCON (2)

FIG.40



DF25 E01_040
OPT:CONCEALED REMOCON (2)-C

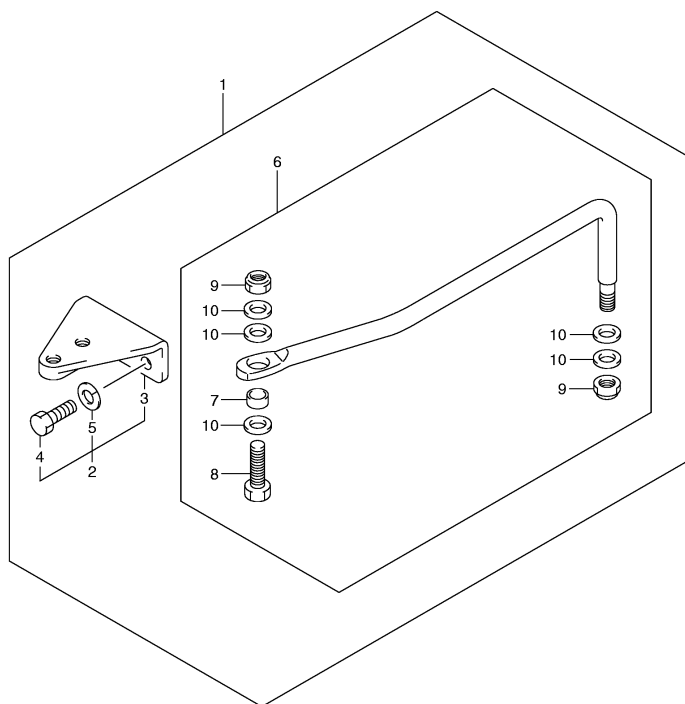
Part List

DP005446.TIF DF20RSK7(E1) K7 2007 / OPT: CONCEALED REMOCON (2)

REF NO	PART NO	DESCRIPTION	QTY	KIT	NOTES
1	67200-93J31-000	REMOTE CONTROL ASSY, CONCEALED	1		
2	67222-92E50-000	DUEL PLATE	1	*	
3	67292-94300-000	E RING	3	*	
4	67288-92E10-000	WASHER	1	*	
5	67291-92E00-000	SNAP RING	2	*	
6	67223-92E50-000	BRAKE ADJUST	1	*	
7	67246-92E50-000	SHAFT, DRIVE	1	*	
8	67224-92E50-000	BRAKE SHOE ASSY	1	*	
9	67225-92E50-000	DISK, BRAKE	1	*	
10	09140-06020-000	NUT	2	*	
11	67294-92E00-000	SPACER	1	*	
12	37721-95500-000	SWITCH ASSY, NEUTRAL	1	*	
13	67296-92E10-000	SCREW (3X15)	2	*	
14	67226-92E50-000	BOLT, STOPPER	2	*	
15	67296-92E20-000	SCREW (5X25)	2	*	
16	67240-92E50-000	ARM ASSY, THROTTLE	1	*	
17	67228-92E00-000	WASHER	1	*	
18	67286-92E00-000	BOLT (6X18)	3	*	
19	67230-92E00-000	ARM ASSY, SHIFT	1	*	
20	09125-05042-000	SCREW (5X10)	11	*	
21	67234-92E00-000	GEAR CASE	1	*	
22	67245-92E00-000	LEVER ASSY, THROTTLE	1	*	
23	67227-92E00-000	STOPPER	1	*	
24	67296-88D10-000	SCREW (6X20)	2	*	
25	67225-92E00-000	SPRING	1	*	
26	09125-04004-000	SCREW (4X6)	1	*	
27	67233-92E00-000	SPRING	1	*	
28	67235-92E00-000	PLATE, SHIFT LOCK	1	*	
29	67239-92E10-000	PLATE, SHIFT PIN	1	*	
30	67236-92E00-000	ROLLER	1	*	
31	67237-92E01-000	SPRING	5	*	
32	67238-92E50-000	GEAR, DRIVE	1	*	
33	67239-92E00-000	PIN	1	*	
34	67232-92E50-000	BUSH	1	*	
35	67252-92E00-000	BUSH	1	*	
36	67291-92E10-000	SNAP RING	1	*	
37	67253-92E10-000	WASHER	1	*	
38	67252-92E10-000	BUSH	1	*	
39	67253-95600-000	WASHER	1	*	
40	67231-92E00-000	GEAR, SHIFT	1	*	
41	67232-95600-000	BUSH	1	*	
42	67241-92E50-000	ROD, FREE ACC	1	*	

DP005408.TIF DF20RSK7(E1) K7 2007 / OPT:REMOCON ATTACHMENT

FIG.41



DF25 E01_041
OPT:REMOCON ATTACHMENT-C

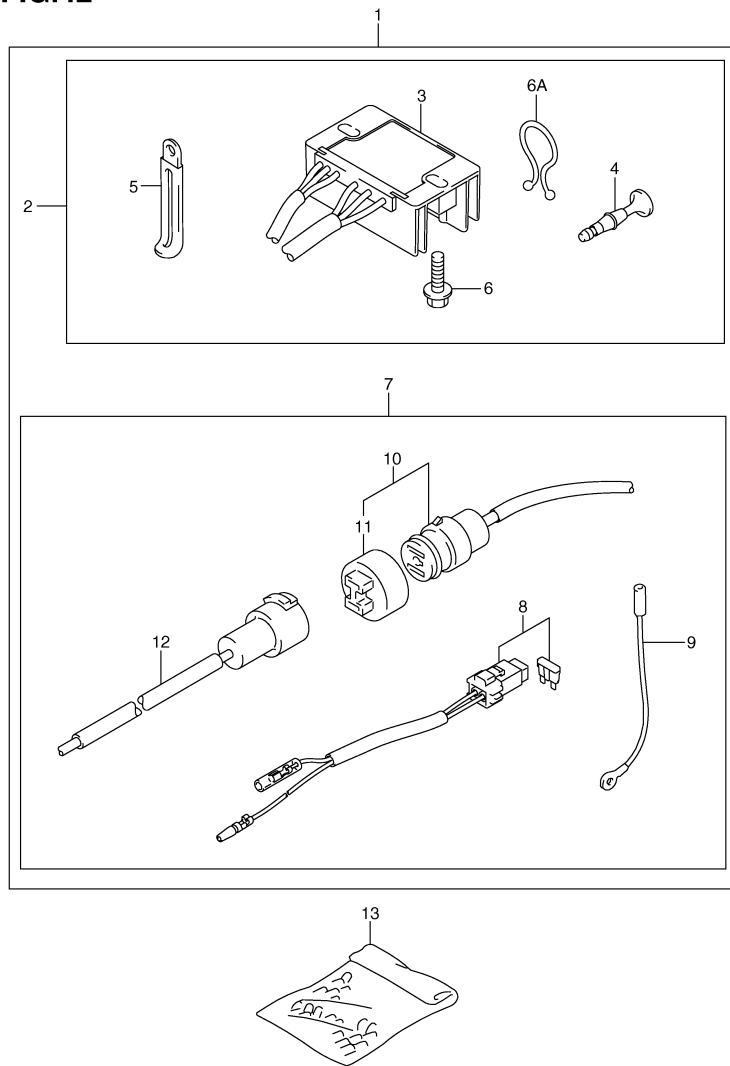
Part List

DP005408.TIF DF20RSK7(E1) K7 2007 / OPT:REMOCON ATTACHMENT

REF NO	PART NO	DESCRIPTION	QTY	KIT	NOTES
1	67700-95J01-000	LINK SET, DRAG	1		
2	67100-95J01-000	ATTACHMENT SET, REMOCON	1	*	
3	43755-95J01-000	ATTACHMENT, STEERING	1	**	
4	09100-10270-000	BOLT	2	**	
5	09162-10005-000	WASHER, LOCK	2	**	
6	67701-95J00-000	LINK ASSY, DRAG	1	*	
7	67721-89J00-000	SPACER	1	**	
8	67725-95J00-000	BOLT	1	**	
9	67726-99E00-000	NUT	2	**	
10	67728-99E00-000	WASHER	5	**	

DP005660.TIF DF20RSK7(E1) K7 2007 / OPT:ELECTRICAL

FIG.42



DF25 E01_042
OPT: ELECTRICAL

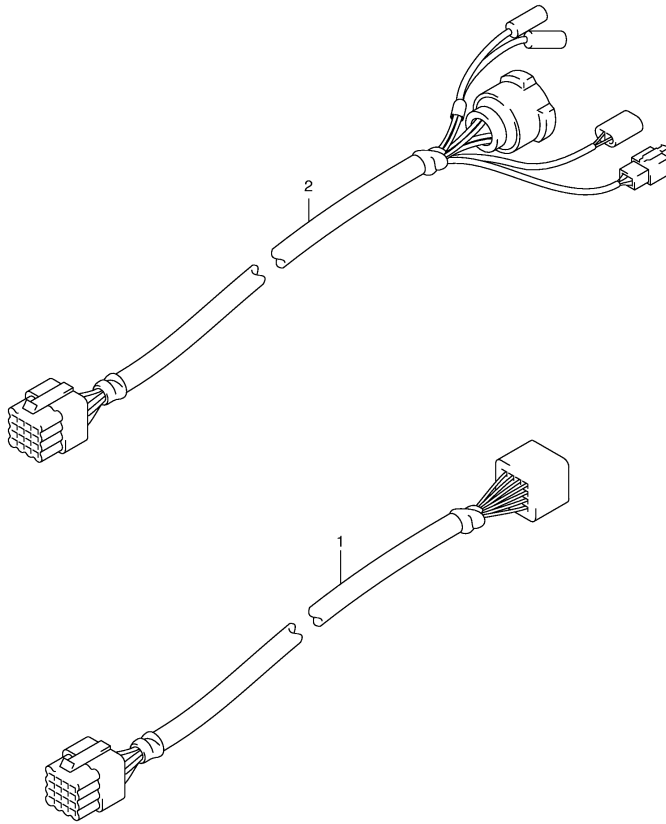
Part List

DP005660.TIF DF20RSK7(E1) K7 2007 / OPT:ELECTRICAL

REF NO	PART NO	DESCRIPTION	QTY	KIT	NOTES
1	32000-95J01-000	KIT, BATTERY CHARGING	1		
2	32801-95J00-000	RECTIFIER / REGULATOR SET	1	*	
2	32801-95J01-000	RECTIFIER / REGULATOR SET	1	*	MODEL:10~
3	32800-95J01-000	RECTIFIER / REGULATOR ASSY	1	**	
4	36615-96300-000	TERMINAL, RESIN	2	**	
5	29404-93J10-000	CLAMP, RECT / RGLTR LEAD	1	**	
6	01550-06257-000	BOLT, RECTIFIER	2	**	
6A	09408-00024-000	CLAMP, HARNESS	1	**	FOR 32801-95J01
7	39600-95J01-000	RECEPTACLE SET	1	*	
8	36740-95J00-000	CASE ASSY, FUSE	1	**	
9	37801-98300-000	LEAD, RECEPTACLE GROUND	1	**	
10	39601-95D00-000	RECEPTACLE ASSY, LIGHTING	1	**	
11	36634-93910-000	CAP	1	***	
12	39602-93900-000	PLUG ASSY, LIGHTING	1	**	
13	36990-87D00-000	TERMINAL & SLEEVE SET	1		

DP005405.TIF DF20RSK7(E1) K7 2007 / OPT:HARNESS

FIG.43



DF25 E01_043
OPT:HARNESS-C

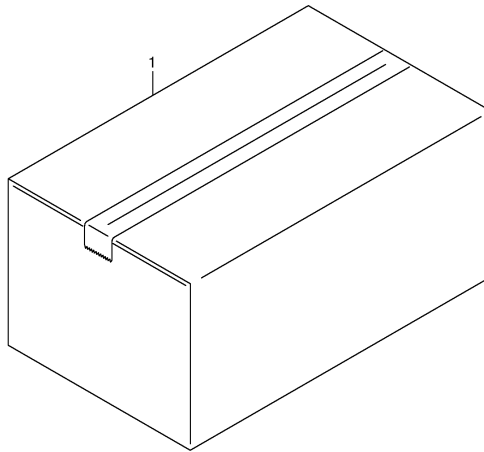
Part List

DP005405.TIF DF20RSK7(E1) K7 2007 / OPT:HARNESS

REF NO	PART NO	DESCRIPTION	QTY	KIT	NOTES
1	36620-93J10-000	WIRE ASSY, REMOCON EXTENSION	1		L:2000
2	36620-93J30-000	WIRE ASSY, REMOCON ADAPTER	1		L:2000

DP005400.TIF DF20RSK7(E1) K7 2007 / OPT:STARTING MOTOR

FIG.44



DF25 E01_044
OPT: STARTING MOTOR SET-C

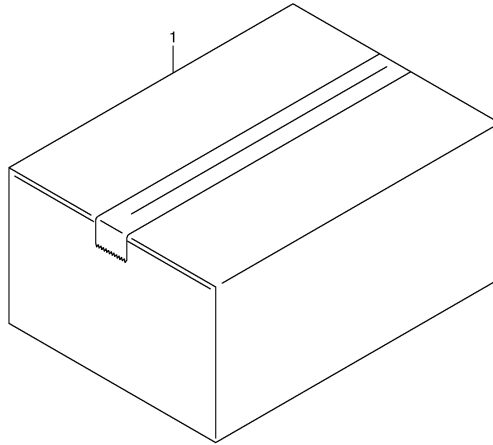
Part List

DP005400.TIF DF20RSK7(E1) K7 2007 / OPT:STARTING MOTOR

REF NO	PART NO	DESCRIPTION	QTY	KIT	NOTES
1	31000-95J00-000	STARTER SET, ELECTRIC	1		
2	11511-95J01-000	COVER, MAGNETO	1	*	NOT SHOWN,REFER TO FIG.7
3	31101-95J00-000	MOTOR SET, STARTING	1	*	NOT SHOWN
4	31100-95J01-000	MOTOR ASSY, STARTING	1	**	NOT SHOWN,REFER TO FIG.19
5	31911-95J00-000	BRACKET, STARTER MOTOR	1	**	NOT SHOWN,REFER TO FIG.19
6	31912-95J00-000	BAND, STARTER MOTOR	1	**	NOT SHOWN,REFER TO FIG.19
7	31918-95J00-000	DAMPER, LOWER	1	**	NOT SHOWN,REFER TO FIG.19
8	36645-94J00-000	LEAD WIRE	1	**	NOT SHOWN,REFER TO FIG.19
9	38860-76F01-000	RELAY ASSY, STARTER MOTOR	1	**	NOT SHOWN,REFER TO FIG.19
10	38915-90J00-000	HOLDER, RELAY	1	**	NOT SHOWN,REFER TO FIG.19
11	01550-08207-000	BOLT, STARTER MOTOR LOWER	2	**	NOT SHOWN,REFER TO FIG.19
12	01550-08257-000	BOLT, STARTER MOTOR	2	**	NOT SHOWN,REFER TO FIG.19
13	01550-08307-000	BOLT, STARTER MOTOR BRACKET	2	**	NOT SHOWN,REFER TO FIG.19
14	04211-11129-000	PIN, STARTER MOTOR BRACKET	1	**	NOT SHOWN,REFER TO FIG.19
15	04221-06129-000	PIN, STARTER MOTOR BRACKET	1	**	NOT SHOWN,REFER TO FIG.19
16	08316-10087-000	NUT, STARTER MOTOR	1	**	NOT SHOWN,REFER TO FIG.19
17	32102-95J00-000	FLYWHEEL	1	*	NOT SHOWN,REFER TO FIG.20
18	32120-95J00-000	COIL, STATOR & PULSER	1	*	NOT SHOWN,REFER TO FIG.20
19	32801-95J00-000	RECTIFIER & REGULATOR SET	1	*	NOT SHOWN
19	32801-95J01-000	RECTIFIER & REGULATOR SET	1	*	NOT SHOWN, MODEL:10~
20	32800-95J01-000	RECTIFIER & REGULATOR ASSY	1	**	NOT SHOWN,REFER TO FIG.21
21	36615-96300-000	TERMINAL, RESIN	2	**	NOT SHOWN
22	29404-93J10-000	CLAMP, RECT / RGLTR LEAD	1	**	NOT SHOWN
23	01550-06257-000	BOLT, RECTIFIER	2	**	NOT SHOWN,REFER TO FIG.21
23A	09408-00024-000	CLAMP, HARNESS	1	**	NOT SHOWN, FOR 32801-95J01
24	33800-95J00-000	CABLE SET, STARTING WITH SW	1	*	NOT SHOWN
25	33810-95J00-000	CABLE ASSY, STARTER MOTOR	1	**	NOT SHOWN,REFER TO FIG.23
26	36610-95J00-000	HARNESS ASSY, WIRING	1	**	NOT SHOWN,REFER TO FIG.23
27	37161-89E13-000	SWITCH ASSY, START	1	**	NOT SHOWN,REFER TO FIG.22
28	09159-14014-000	NUT, STARTER MOTOR SWITCH	1	**	NOT SHOWN,REFER TO FIG.22
29	61465-95J00-000	EMBLEM, ENGINE COVER	1	*	NOT SHOWN,REFER TO FIG.29

DP005401.TIF DF20RSK7(E1) K7 2007 / OPT:REMOCON PARTS SET

FIG.45



DF25 E01_045
OPT: REMOCON PARTS SET-C

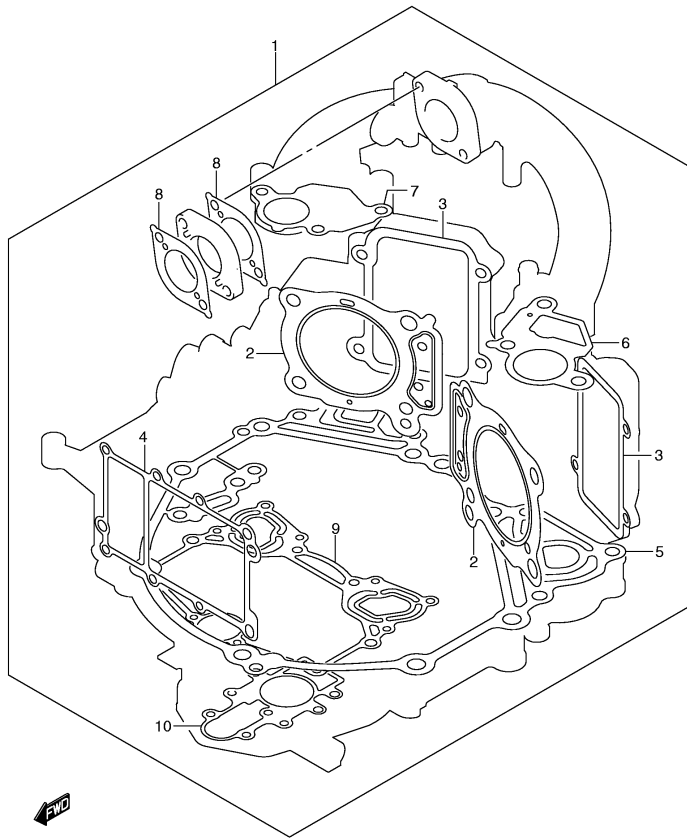
Part List

DP005401.TIF DF20RSK7(E1) K7 2007 / OPT:REMOCON PARTS SET

REF NO	PART NO	DESCRIPTION	QTY	KIT	NOTES
1	67130-95J02-000	KIT, REMOCON ATTACHMENT	1		
2	21241-95J00-000	LINK, CLUTCH LEVER	1	*	NOT SHOWN,REFER TO FIG.16
3	23210-95J00-000	LEVER, CLUTCH CONTROL	1	*	NOT SHOWN,REFER TO FIG.16
4	09160-05029-000	WASHER, CLUTCH LEVER LINK	2	*	NOT SHOWN,REFER TO FIG.16
5	09160-06084-000	WASHER, CLUTCH LEVER	1	*	NOT SHOWN,REFER TO FIG.16
6	09180-06230-000	SPACER, CLUTCH LEVER	1	*	NOT SHOWN,REFER TO FIG.16
7	09204-01002-000	PIN, CLUTCH LEVER LINK	2	*	NOT SHOWN,REFER TO FIG.16
8	01550-06257-000	BOLT, CLUTCH LEVER	1	*	NOT SHOWN,REFER TO FIG.16
9	19120-95J00-000	LEVER, THROTTLE CONTROL	1	*	NOT SHOWN,REFER TO FIG.12
10	19122-95J00-000	LEVER, INTERLINK THROTTLE	1	*	NOT SHOWN,REFER TO FIG.12
11	19185-95J00-000	SPRING, THROTTLE LEVER	1	*	NOT SHOWN,REFER TO FIG.12
12	19761-95J00-000	STAY, THROTTLE CABLE	1	*	NOT SHOWN,REFER TO FIG.12
13	63610-95J11-000	CABLE ASSY, THROTTLE	2	*	NOT SHOWN,REFER TO FIG.30
14	09160-06047-000	WASHER, THROTTLE LEVER (6.2X20X2)	1	*	NOT SHOWN,REFER TO FIG.12
15	01550-06127-000	BOLT, THROTTLE LEVER	1	*	NOT SHOWN,REFER TO FIG.12
16	01550-06167-000	BOLT, THROTTLE CABLE STAY	2	*	NOT SHOWN,REFER TO FIG.12
17	67467-89J01-000	CONNECTOR, REMOCON CABLE	2	*	NOT SHOWN,REFER TO FIG.12
18	09160-06055-000	WASHER, R/CON CA CONNECTOR (7X12X1.0)	2	*	NOT SHOWN,REFER TO FIG.32
19	09385-06012-000	CLIP, R/CON CA CONNECTOR	2	*	NOT SHOWN,REFER TO FIG.32
20	67340-95J01-000	HOLDER, REMOCON CABLE	1	*	CLUTCH, NOT SHOWN,REFER TO FIG.12
21	67350-95J01-000	HOLDER, REMOCON CABLE	1	*	THROTTLE, NOT SHOWN,REFER TO FIG.12
22	09116-06094-000	BOLT, R/CON CA HOLDER (6X15)	4	*	NOT SHOWN,REFER TO FIG.32
23	09308-08013-000	GROMMET, REMOCON CABLE	1	*	NOT SHOWN,REFER TO FIG.32
24	36610-95J20-000	HARNESS ASSY, WIRING	1	*	NOT SHOWN,REFER TO FIG.23
25	36616-95J00-000	HOLDER, CONNECTOR	1	*	NOT SHOWN,REFER TO FIG.23
26	37163-95J00-000	PLUG, STARTING SWITCH HOLE	1	*	NOT SHOWN,REFER TO FIG.22
27	02142-06167-000	SCREW, CONNECTOR HOLDER	1	*	NOT SHOWN,REFER TO FIG.23
28	61124-95J20-000	GROMMET, CABLE	1	*	NOT SHOWN,REFER TO FIG.28

DP005448.TIF DF20RSK7(E1) K7 2007 / OPT:GASKET SET

FIG.46



DF25 E01_046
OPT:GASKET SET-C

Part List

DP005448.TIF DF20RSK7(E1) K7 2007 / OPT:GASKET SET

REF NO	PART NO	DESCRIPTION	QTY	KIT	NOTES
1	11410-95811-000	GASKET SET	1		
2	11141-95J00-000	GASKET, CYL HEAD	2	*	
3	11189-95J00-000	GASKET, CYL HEAD COVER	2	*	
4	11219-95J01-000	GASKET, CYL BLOCK COVER	1	*	
5	11351-95J01-000	GASKET, CRANKCASE	1	*	
6	13119-95J00-000	GASKET, INTAKE MANIFOLD	1	*	
7	13122-95J00-000	GASKET, INTAKE MANIFOLD STBD	1	*	
8	13125-95J00-000	GASKET, CARBURETOR	2	*	
9	11489-95J01-000	GASKET, OIL PAN	1	*	
10	56132-95J00-000	GASKET, DRIVE SFT OIL SEAL HSG	1	*	
11	99011-95J00-051	MANUAL, OWNER'S	1		8 LANGUAGE, DRAWING NOT SHOWN
11	99011-95J00-01T	MANUAL, OWNER'S	1		3 LANGUAGE
11	99011-95J01-054	MANUAL, OWNER'S	1		11 LANGUAGE MODEL:07
11	99011-95J02-056	MANUAL, OWNER'S	1		12 LANGUAGE MODEL:08
11	99011-95J03-056	MANUAL, OWNER'S	1		12 LANGUAGE MODEL:09
11	99011-95J05-056	MANUAL, OWNER'S	1		12 LANGUAGE MODEL:10
11	99011-95J06-056	MANUAL, OWNER'S	1		12 LANGUAGE, DF25:110001~