

# БОЛЬШОЙ СКЛАД ЗАПЧАСТЕЙ В САНКТ-ПЕТЕРБУРГЕ

Для лодочных моторов Suzuki в наличии все ходовые запчасти, сервисные наборы, расходные материалы, оригинальные аксессуары, оригинальные и не оригинальные гребные винты, “ноги”, тросы для установки на лодку и многое другое.

Найдите в каталоге коды необходимых запчастей

и отправьте их список на Email: [parts-katalog@yandex.ru](mailto:parts-katalog@yandex.ru)

мы пришлём информацию о цене и наличии

Возможен самовывоз со склада в Санкт-Петербурге

или отправка EMS по России

Наш сайт: [www.partskatalog.ru](http://www.partskatalog.ru)

Контактный телефон: +7 (981) 121-46-93

Особое внимание, обратите на модификацию двигателя. Сверьте серийный номер и скачайте «правильный» каталог запчастей. Не путайте старые моторы серии «Т» и новые серии «А».

**SUZUKI**  
PARTS CATALOGUE

**DF2.5**

DF2.5



OUTBOARD MOTOR

P01

2012-5

1<sup>ST</sup> EDITION

## PREFACE

When it becomes necessary to replace parts on SUZUKI OUTBOARD MOTORS, always use SUZUKI GENUINE PARTS which have passed a strict inspection which guarantees quality and performance.

This parts catalogue covers the list of all service parts for SUZUKI DF2.5 production start 2012.

### INSTRUCTIONS FOR QUOTING THE CATALOGUE

#### 1. DIMENSIONS

Dimensions of the parts in this catalogue are indicated in unit millimeters.

#### 2. ABBREVIATIONS

Abbreviations used in this catalogue are as follows:

AR	: As required	NT	: Number of teeth
ASSY	: Assembly	OPT	: Optional
E. NO.	: Engine number	OS	: Over size
F. NO.	: Frame number	STD	: Standard
D	: Diameter of material	T	: Thickness
ID	: Inside diameter	US	: Under size
OD	: Outside diameter	W	: Width
L	: Length	W/	: With
LH(PORT)	: Left hand side	S	: Transom type
RH(STBD)	: Right hand side	SUS	: Stainless steel

~123456 : Up to E. NO. 00252F-123456

123456~ : From E. NO. 00252F-123456

12 x 34 x 5.6..... Figures in the description column

| | | show the dimensions of parts.

ID OD T(or W, L)

→12345-56781 (Parts No.) : indicates that the parts number was changed to 12345-56781 and the new parts are interchangeable with the former ones but the former ones are not interchangeable with new ones.

←12345-56781 (Parts No.) : indicates that the former and new parts are interchangeable with each other and both are usable.

#### 3. INNER PARTS OF ASSEMBLY

Part name with a dot (.) in front as shown in the description column indicates the component of the assembly also available individually.

#### 4. MODIFICATION NOTICE

A parts bulletin will be sent to you on all occasions when changes in parts occur, including interchangeable modifications between new parts and old ones.

#### 5. NOTE

5-1. There are some different parts from those of production models among spare parts for the administrative reasons and common use of them with other models.

5-2. In respect of rubber hoses and vinyl tubes, please be sure to use them by cutting off according to the length mentioned on parts catalogue or what is actually required on the vehicle.

5-3. Note that the drawings on the illustration page are for ready reference of spare parts number, not to be used as an assembly manual. When assembling, use "SUZUKI SERVICE MANUAL".

#### 6. MODEL NAME AND ENGINE NUMBER

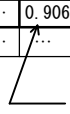
MODEL	DESTINATION	TYPE	TRANSOM	ENGINE No.
DF2.5S	P01	00252F	S	00252F-310001~

MILLIMETER → INCH CONVERSION CHART

	0	1	2	3	4	5	6	7	8	9
00	.000	.039	.079	.118	.157	.197	.236	.276	.315	.354
10	.394	.433	.472	.512	.551	.591	.630	.669	.709	.748
20	.787	.827	.866	.906	.945	.984	1.024	1.063	1.102	1.142
30	1.181	1.220	1.260	1.299	1.339	1.378	1.417	1.457	1.496	1.535
40	1.575	1.614	1.654	1.693	1.732	1.772	1.811	1.850	1.890	1.929
50	1.969	2.008	2.047	2.087	2.126	2.165	2.205	2.214	2.283	2.323
60	2.362	2.402	2.441	2.480	2.520	2.559	2.598	2.638	2.677	2.717
70	2.756	2.795	2.835	2.874	2.913	2.953	2.992	3.031	3.071	3.110
80	3.150	3.189	3.228	3.268	3.307	3.346	3.386	3.425	3.465	3.504
90	3.543	3.583	3.622	3.661	3.701	3.740	3.780	3.819	3.858	3.898

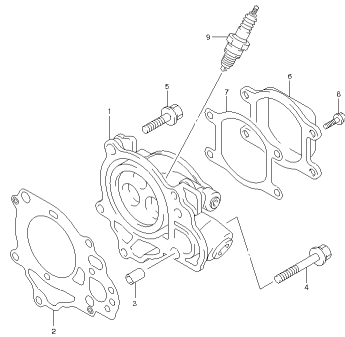
How to read

	0	1	2	3	4
00	...	...	...	...	...
10	...	...	...	...	...
20	...	...	...	0.906	...
30	...	...	...	...	...


 23 millimeters equal 0.906 inch

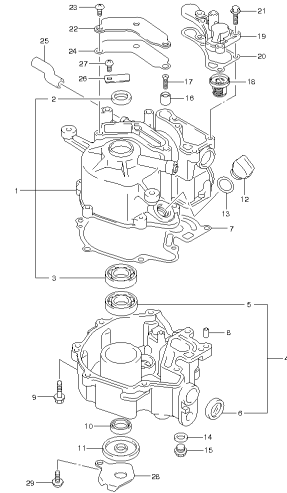
Contents are subject to change without notice or obligation.

FIG.1



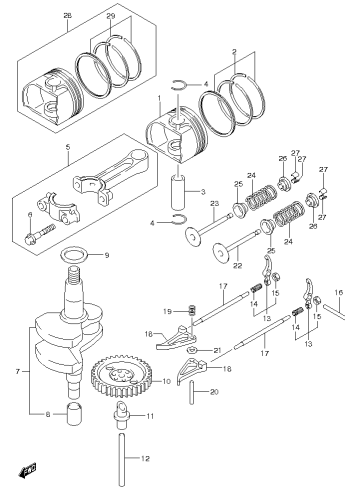
DP2.5 P01 013\_01  
CYLINDER HEAD

FIG.2



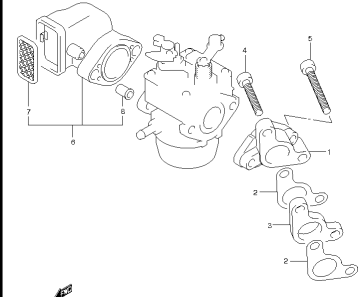
DP2.5 P01 013\_02  
CYLINDER BLOCK

FIG.3



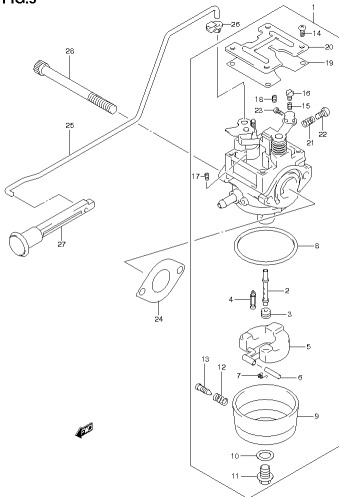
DP2.5 P01 013\_03  
CRANKSHAFT

FIG.4



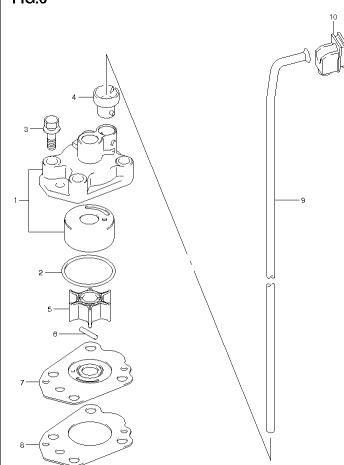
DP2.5 P01 013\_04  
INTAKE PIPE / BLENDIER

FIG.5



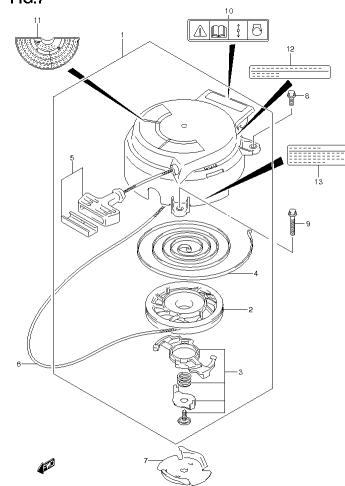
DP2.5 P01 013\_05  
CARBURETOR

FIG.6



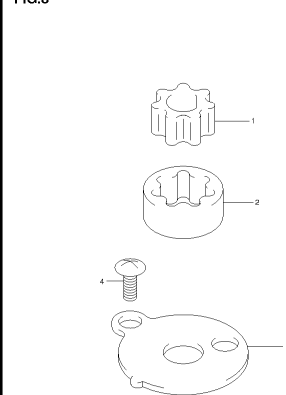
DP2.5 P01 013\_06  
WATER PUMP

FIG.7



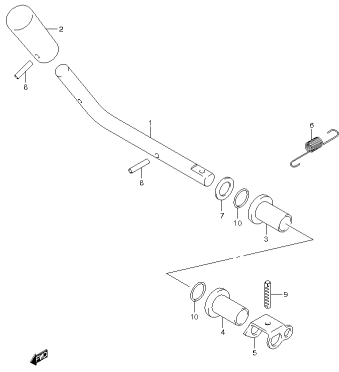
DP2.5 P01 013\_07  
RECOIL STARTER

FIG.8



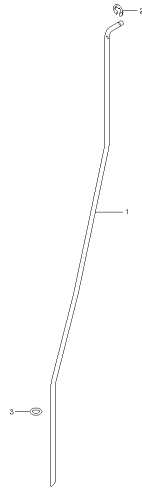
DP2.5 P01 013\_08  
OIL PUMP

FIG.9



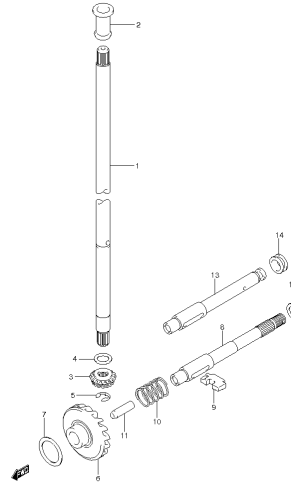
DP2.5 P01 013\_009  
CLUTCH LEVER

FIG.10



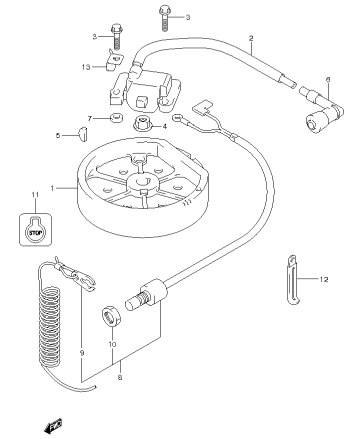
DP2.5 P01 013\_010  
SHIFT ROD

FIG.11



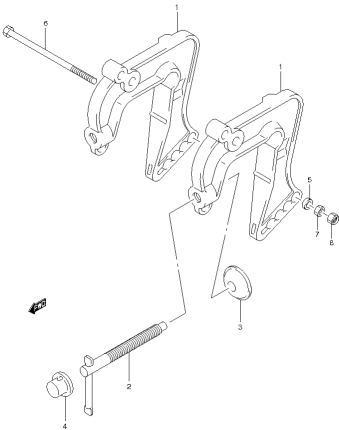
DP2.5 P01 013\_011  
DRIVE SHAFT

FIG.12



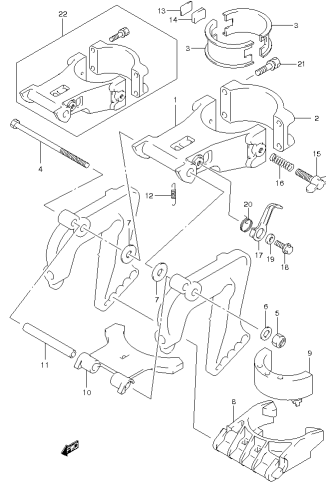
DP2.5 P01 013\_012  
MAGNETO

FIG.13



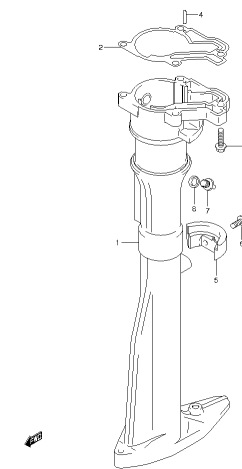
DP2.5 P01 013\_013  
CLAMP BRACKET

FIG.14



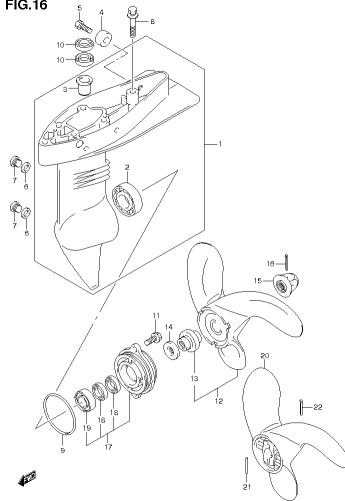
DP2.5 P01 013\_014  
SWIVEL BRACKET

FIG.15



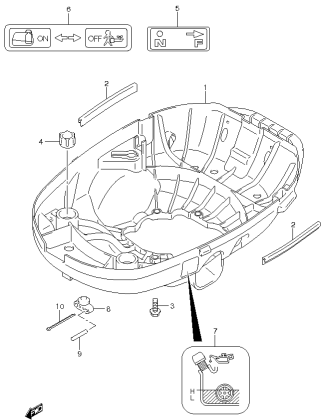
DP2.5 P01 013\_015  
DRIVE SHAFT HOUSING

FIG.16



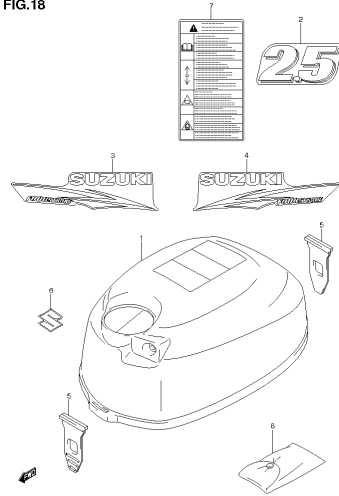
DP2.5 P01 013\_016  
GEAR CASE

FIG.17



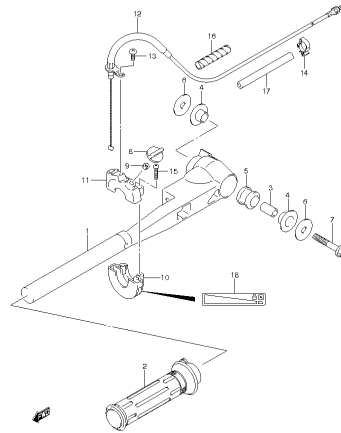
DF25 FM 013\_017  
LOWER COVER

FIG.18



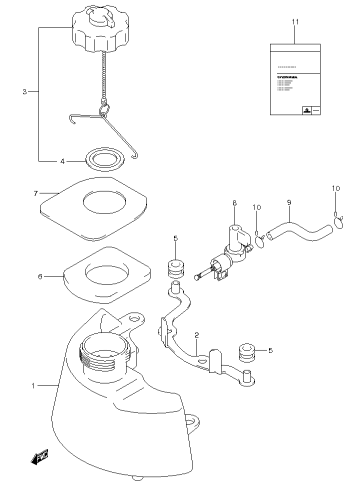
DF25 FM 013\_018  
ENGINE COVER

FIG.19



DF25 FM 013\_019  
TILLER HANDLE

FIG.20



DF25 FM 013\_020  
FUEL TANK

FIG.1

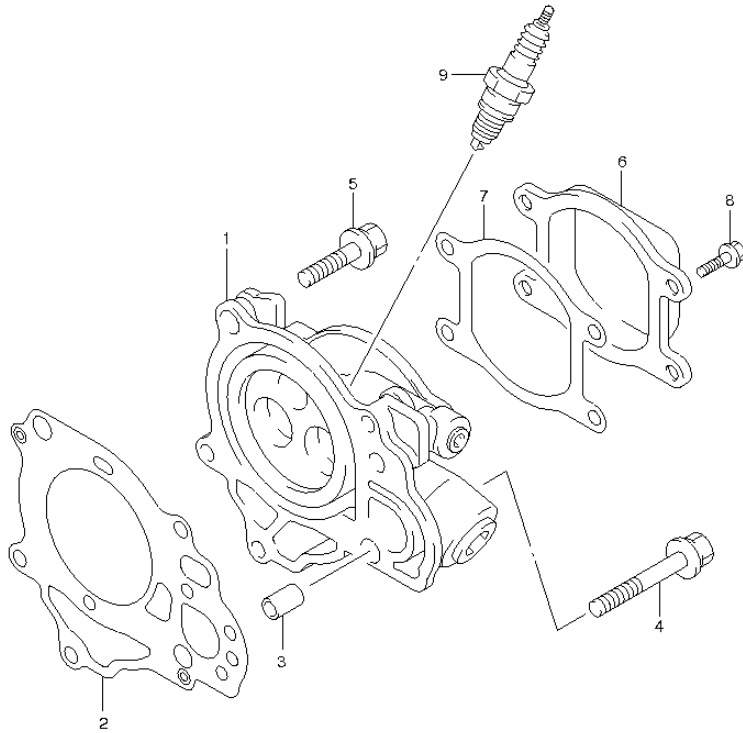


FIG.1 (1-B-2) CYLINDER HEAD

REF. NO.	PART NO.	DESCRIPTION	Q' TY	REMARKS
1	11110-97J10	HEAD, CYLINDER	1	
2	11141-97JL0	GASKET, CYLINDER HEAD	1	
3	09206-08008	PIN (6.3X8X12)	2	
4	11118-97JL0	BOLT, CYLINDER HEAD NO.2	1	
5	11119-97JL0	BOLT, CYLINDER HEAD	4	
6	11171-97J10	COVER, CYLINDER HEAD	1	
7	11189-97JL0	GASKET, CYLINDER HEAD COVER	1	
8	01547-05107	BOLT	4	
9	09482-00406	SPARK PLUG (NGK, CR6HSA)	1	





FIG.2

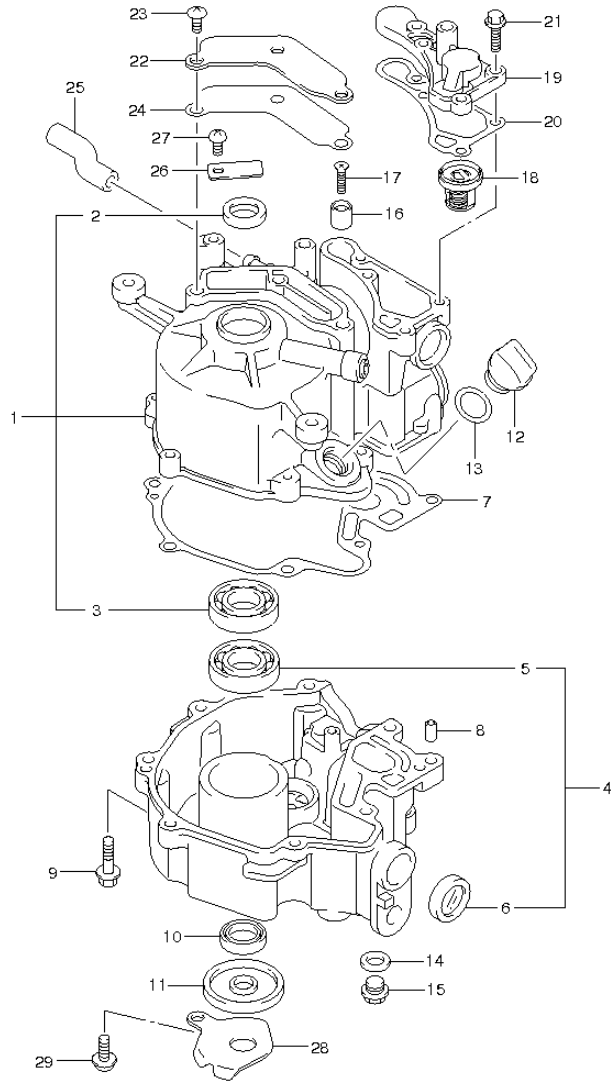


FIG.2 (1-B-3) CYLINDER BLOCK

REF. NO.	PART NO.	DESCRIPTION	Q' TY	REMARKS
1	11200-97J00	BLOCK ASSY, CYLINDER	1	
2	59295-97J00	·SEAL, CRANKSHAFT OIL	1	
3	09262-17023	·BEARING (17X40X12)	1	UPPER
4	11300-97J00	CASE ASSY, CRANKSHAFT	1	
5	09262-17023	·BEARING (17X40X12)	1	LOWER
6	11971-91J01	·LENS, OIL LEVEL FILLER	1	
7	11351-97JL0	GASKET, CRANKCASE	1	
8	04221-05109	PIN	2	
9	01550-06257	BOLT	8	
10	59295-97J10	SEAL, DRIVE SHAFT OIL	1	
11	59295-97J20	SEAL, CRANKSHAFT OIL LOWER	1	
12	11382-97J00	CAP, OIL FILLER	1	
13	09280-15007	O RING (D:2.4, ID:15.8)	1	
14	09168-10022	GASKET (10X17X1.5)	1	
15	09248-10008	PLUG (10X7.5)	1	OIL DRAIN
16	55321-95J00	ANODE, PROTECTION	1	
17	09126-05011	SCREW (5X20)	1	
18	17670-91J00	THERMOSTAT (50°C)	1	
19	17681-97J20	COVER, THERMOSTAT	1	
20	17685-97J00	GASKET, THERMOSTAT COVER	1	
21	01550-06207	BOLT	4	
22	11173-97J00	PLATE, BREATHER	1	
23	02142-06127	BOLT	3	
24	11179-97J00	GASKET, BREATHER PLATE	1	
25	11174-97J00	HOSE, BREATHER	1	
26	11452-91J00	VALVE, REED	1	
27	02112-0612A	SCREW	1	
28	11431-97J11	PLATE, UNDER OIL SEAL	1	
29	11432-97JL0	BOLT, UNDER OIL SEAL PLATE	1	

FIG.3

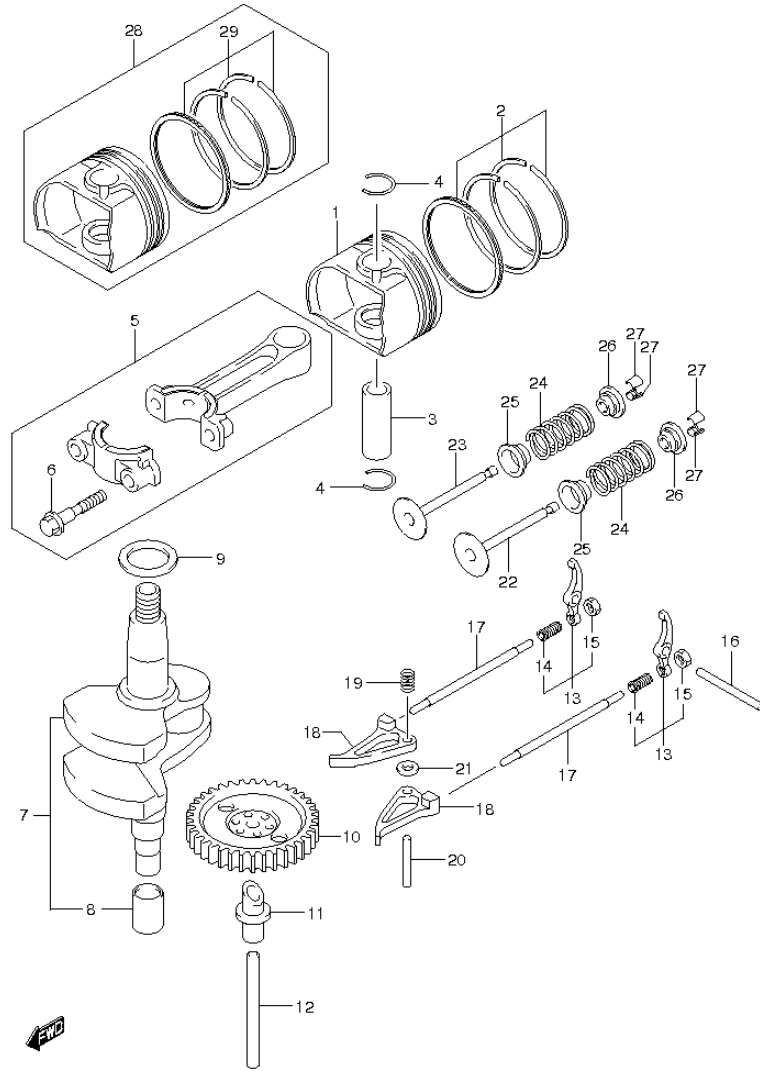


FIG.3 (1-B-4) CRANKSHAFT

REF NO.	PART NO.	DESCRIPTION	Q' TY	REMARKS
1	12111-97J10-0B0	PISTON	1	NO PAINT
2	12140-97J00	RING SET, PISTON	1	
3	12151-97J00	PIN, PISTON	1	
4	59382-97J00	CIRCLIP	2	
5	12160-97JL0-0A0	CONNROD ASSY	1	
6	12163-97JL0	·BOLT CONNROD	2	
7	12220-97JL0	CRANKSHAFT	1	
8	12242-97JL0	·SPLINE	1	
9	08211-17241	WASHER	1	
10	12710-97J00	CAMSHAFT (NT:36)	1	
11	12742-97J10	SHAFT, OIL PUMP	1	
12	12743-97J00	SHAFT	1	
13	12840-97J10	ARM ASSY, VALVE ROCKER	2	
14	12842-22G10	·SCREW, TAPPET ADJUSTING	2	
15	12843-27A00	·NUT, TAPPET ADJUSTING	2	
16	09261-04017	PIN (4X43)	1	
17	12894-97J00	ROD, PUSH	2	
18	12845-97J00	ARM, CAM ROCKER	2	
19	12847-22G00	SPRING, CAM ROCKER ARM	1	
20	09261-04005	ROLLER (4X23.8)	1	
21	08322-0104A	WASHER	2	
22	12911-97JL0	VALVE, INTAKE	1	
23	12915-97JL0	VALVE, EXHAUST	1	
24	12921-97JL0	SPRING, VALVE	2	
25	09289-04L01	OIL SEAL	2	
26	12931-97JL0	RETAINER, VALVE SPRING	2	
27	12932-05C00	COTTER, VALVE	4	
28	12100-97J00-050	PISTON SET (OS:0.5)	1	OPT
29	12140-97J00-050	·RING SET, PISTON (OS:0.5)	1	OPT

**FIG.4**

**FIG.4 (1-B-5) INTAKE PIPE / SILENCER**

REF. NO.	PART NO.	DESCRIPTION	Q' TY	REMARKS
1	13111-97J00	PIPE, INTAKE	1	
2	13119-97J00	GASKET, INTAKE PIPE	2	
3	13124-97J00	INSULATOR, CARBURETOR	1	
4	07120-06257	BOLT	1	
5	07120-06357	BOLT	1	
6	13810-97J00	SILENCER	1	
7	13710-97J00	·ARRESTER, FLAME	1	
8	09180-06348	·SPACER (6.1X8.5X12.5)	2	

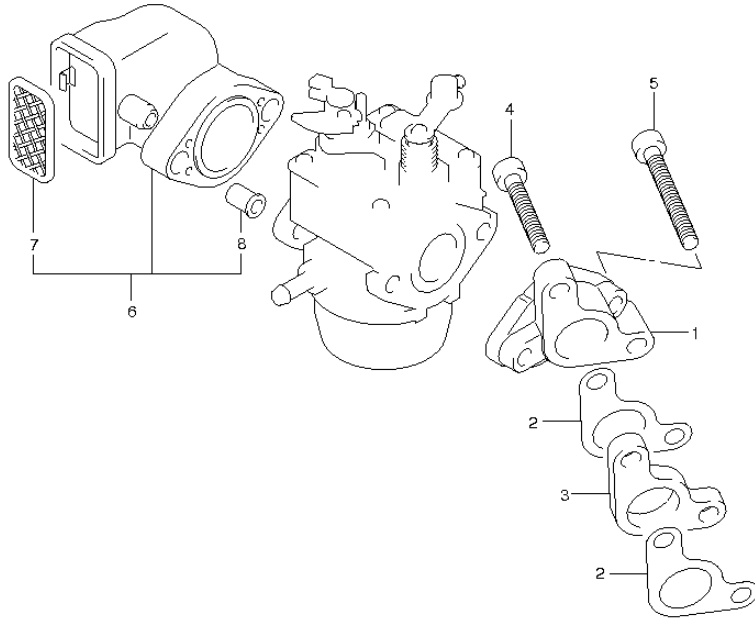


FIG.5

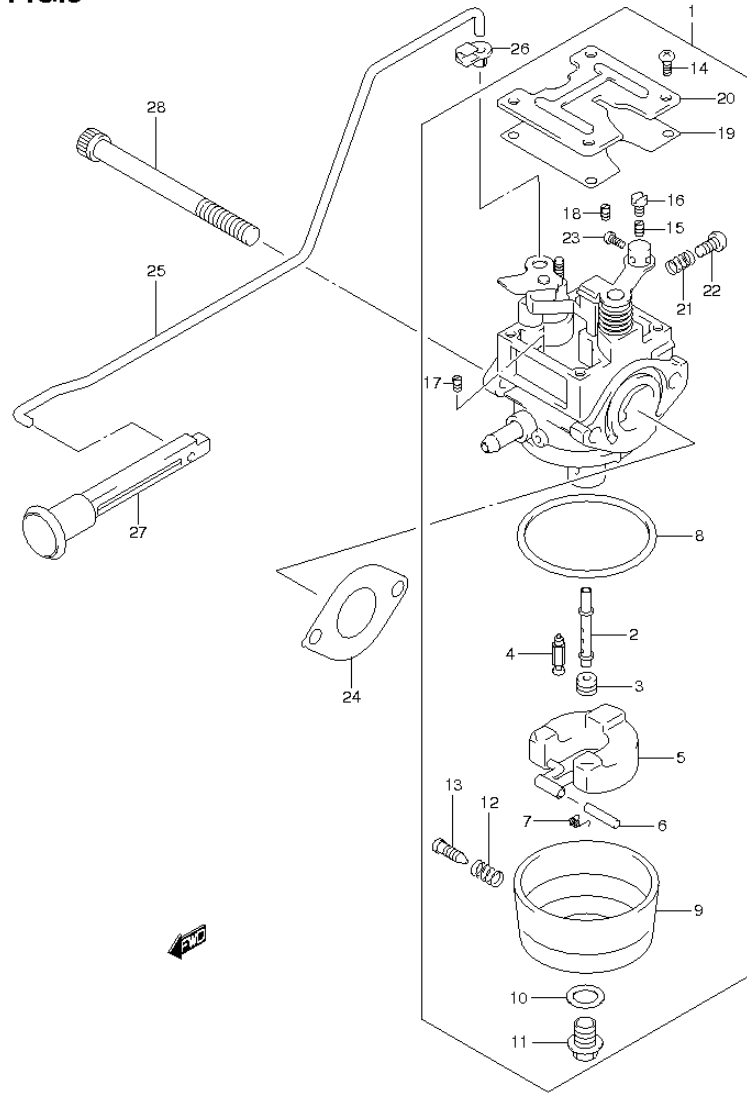


FIG. 5 (1-B-6) CARBURETOR

REF NO.	PART NO.	DESCRIPTION	Q' TY	REMARKS
1	13200-97J60	CARBURETOR ASSY	1	
2	13236-97J20	·NOZZLE, MAIN	1	
3-1	09491-60014	·JET, MAIN (60)	1	
3-2	09491-62009	·JET, MAIN (62)	1	
3-3	09491-64003	·JET, MAIN (64)	1	
4	13371-97J00	·VALVE, NEEDLE	1	
5	13250-97J00	·FLOAT	1	
6	13254-97J00	·PIN, FLOAT	1	
7	13268-97J30	·SPRING	1	
8	13251-97J00	·GASKET	1	
9	13245-97J00	·CHAMBER, FLOAT	1	
10	13249-97J00	·GASKET	1	
11	13247-97J00	·SCREW	1	
12	13268-97J10	·SPRING	1	
13	13616-97J00	·SCREW	1	
14	13267-97J00	·SCREW	4	
15-1	09492-36L01	·JET, PILOT (36)	1	
15-2	09492-32011	·JET, PILOT (32)	1	
15-3	09492-34004	·JET, PILOT (34)	1	
16	13267-97J10	·SCREW	1	
17	09493-28L01	·JET, AIR (170)	1	
18	09493-27L01	·JET, PILOT AIR (135)	1	
19	13249-97J10	·GASKET	1	
20	13248-97J00	·PLATE	1	
21	13268-97J20	·SPRING	1	
22	13534-97J10	·SCREW	1	
23	13267-97J20	·SCREW	1	
24	13125-97J00	GASKET, CARBURETOR	1	
25	13413-97J10	ROD, CHOKE	1	
26	13436-91J00	CONNECTOR, CHOKE ROD	1	
27	13631-91J00	KNOB, CHOKE	1	
28	01547-06757	BOLT	2	

FIG.6

FIG.6 (1-B-7) WATER PUMP

REF. NO.	PART NO.	DESCRIPTION	QTY	REMARKS
1	17410-97JL0	CASE, WATER PUMP	1	
2	09280-33005	O RING (D:1.9,ID:32.7)	1	
3	09116-06207	BOLT (6X30)	4	
4	17415-97J00	GROMMET, WATER PUMP CASE	1	
5	17461-97JM0	IMPELLER, WATER PUMP	1	
6	09202-02006	PIN (2.9X14)	1	
7	17471-97JL0	PANEL, PUMP CASE UNDER	1	
8	17472-97JL0	GASKET, PUMP CASE PANEL	1	
9	17561-97JM0	TUBE, WATER (S)	1	
10	17563-97J10	GROMMET, WATER TUBE UPPER	1	

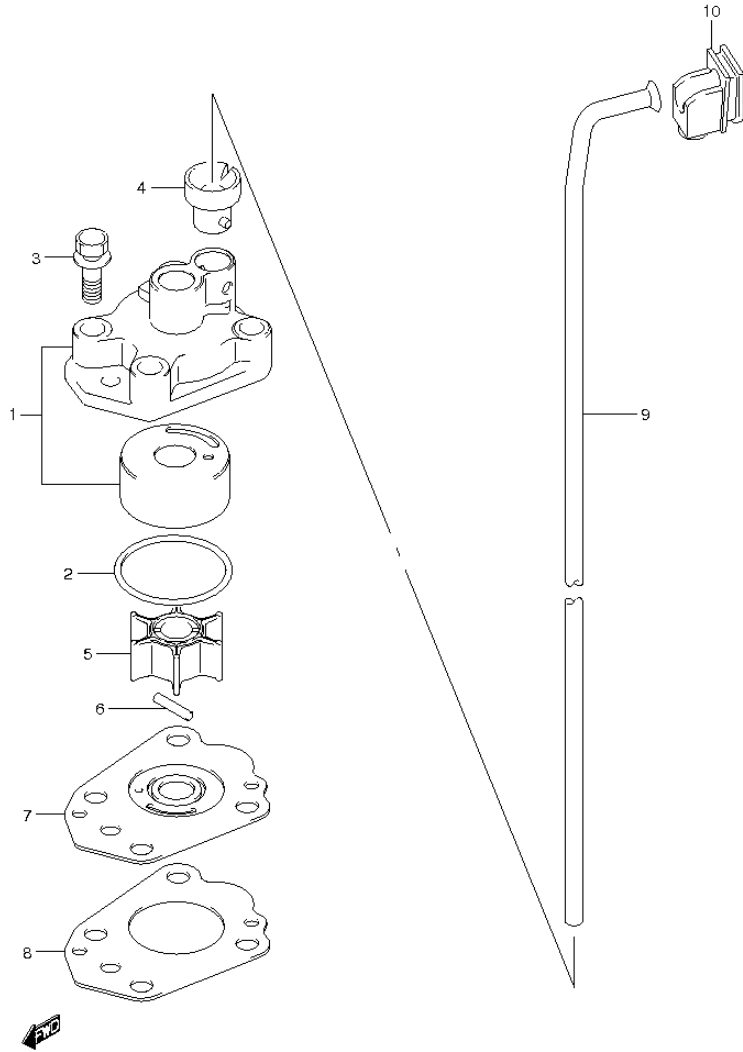


FIG.7

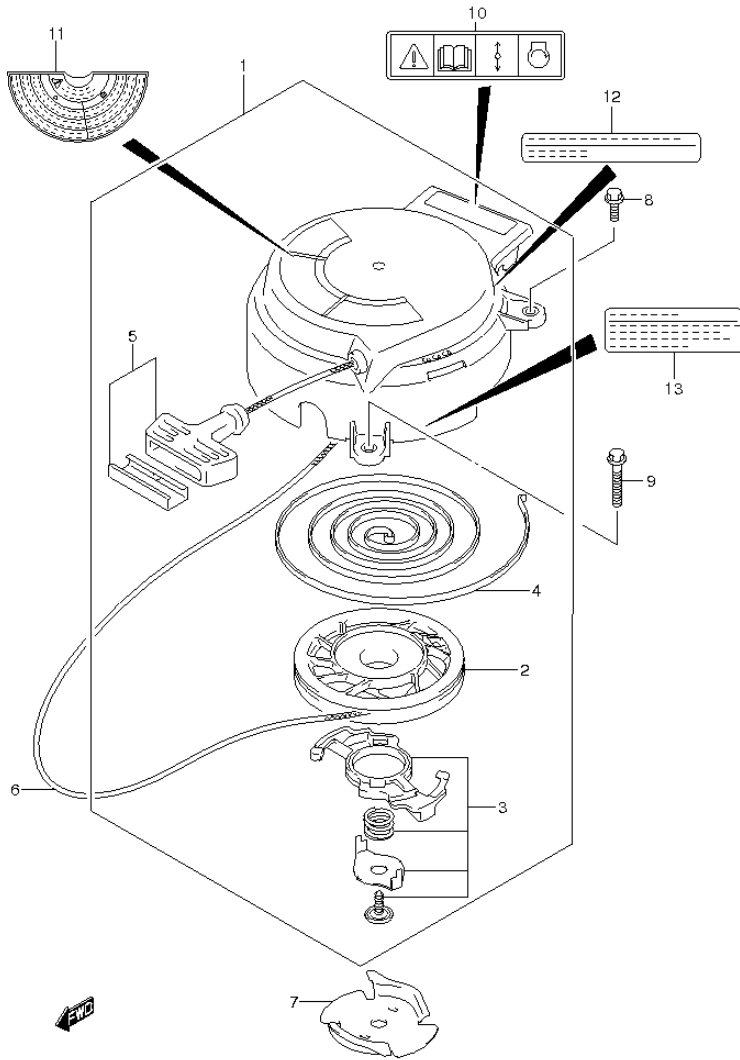


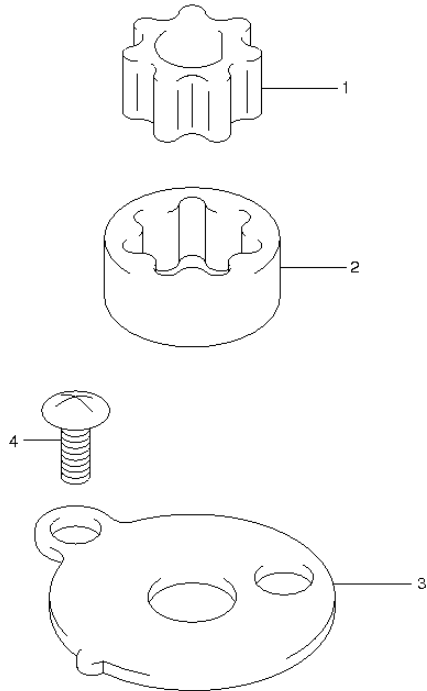
FIG.7 (1-B-8) RECOIL STARTER

REF. NO.	PART NO.	DESCRIPTION	QTY	REMARKS
1	18100-97JMO	STARTER ASSY, RECOIL	1	
2	18120-97J00	·REEL	1	
3	18130-97J00	·RATCHET SET	1	
4	18142-04410	·SPRING, SPIRAL	1	
5	18210-97J00	·GRIP SET	1	
6	99000-81157-50M	ROPE	1	OPT L:50000->1200
7	18211-97J00	PULLEY, STARTER	1	
8	01550-06207	BOLT	1	
9	01550-06357	BOLT	2	
10	69711-91J10	LABEL, S.I.G.P	1	
11	61472-94J10	LABEL, RECOIL STARTER	1	
12	61493-97J00	LABEL, CLEARANCE	1	
13	61494-97J00	LABEL, OIL	1	

FIG.8

FIG.8 (1-B-9) OIL PUMP

REF NO.	PART NO.	DESCRIPTION	Q' TY	REMARKS
1	16131-91J00	ROTOR, OIL PUMP INNER	1	
2	16132-91J00	ROTOR, OIL PUMP OUTER	1	
3	16161-97J10	PLATE, OIL PUMP ROTOR	1	
4	02142-0510A	BOLT	1	



**FIG.9**

**FIG. 9 (1-B-10) CLUTCH LEVER**

REF. NO.	PART NO.	DESCRIPTION	Q' TY	REMARKS
1	21111-97J01	LEVER, CLUTCH	1	
2	21112-97J00	KNOB, CLUTCH LEVER	1	
3	21221-97J00	BUSH, CLUTCH SHAFT	1	
4	21222-97J00	BUSH, CLUTCH SHAFT NO.2	1	
5	23211-97J10	ARM, CLUTCH ROD	1	
6	23213-97J00	SPRING, CLUTCH NOTCH	1	
7	09160-08145	WASHER (8X14X1.5)	1	
8	09205-03012	SPRING PIN (3X16)	2	
9	09205-04002	SPRING PIN (4X20)	1	
10	09280-08005	O RING (D:1.7,ID:7.7)	2	

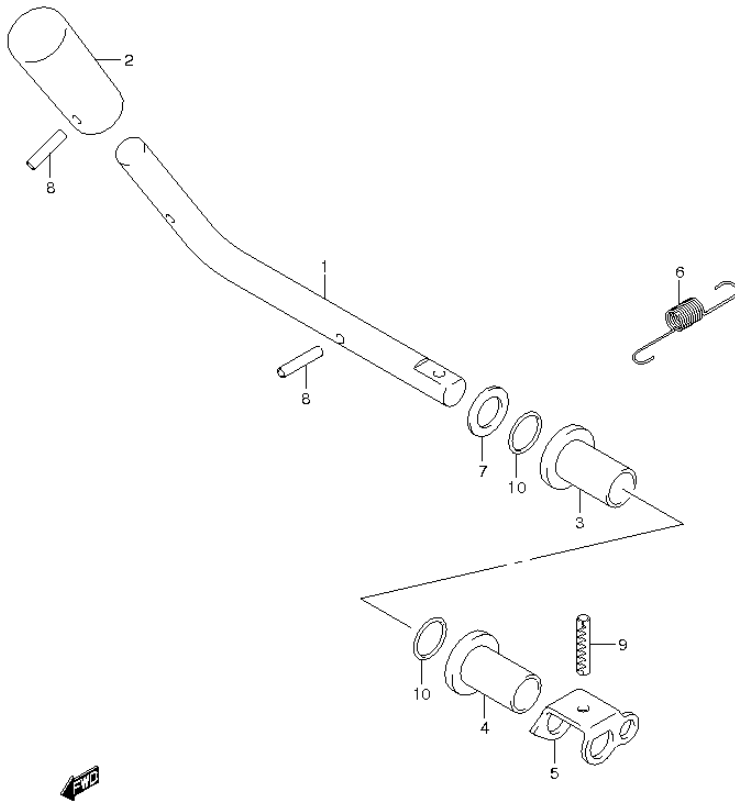




FIG.10

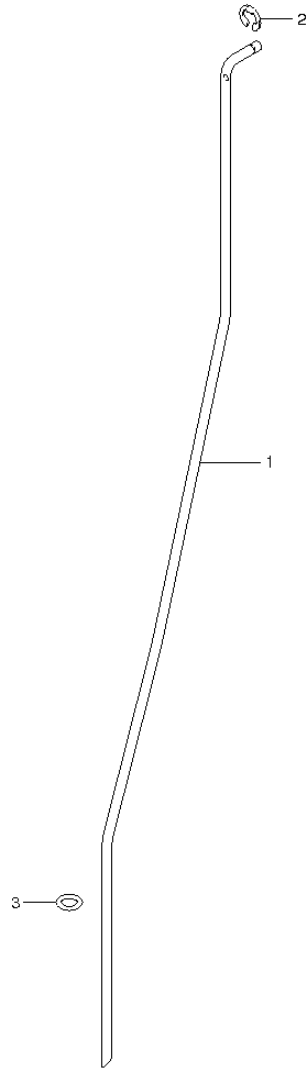


FIG.10 (1-B-11) SHIFT ROD

REF NO.	PART NO.	DESCRIPTION	Q' TY	REMARKS
1	25111-97J10	ROD, SHIFT (S)	1	
2	09383-04002	E RING	1	
3	09280-06004	O RING (D:3.5,ID:5.8)	1	

FIG.11

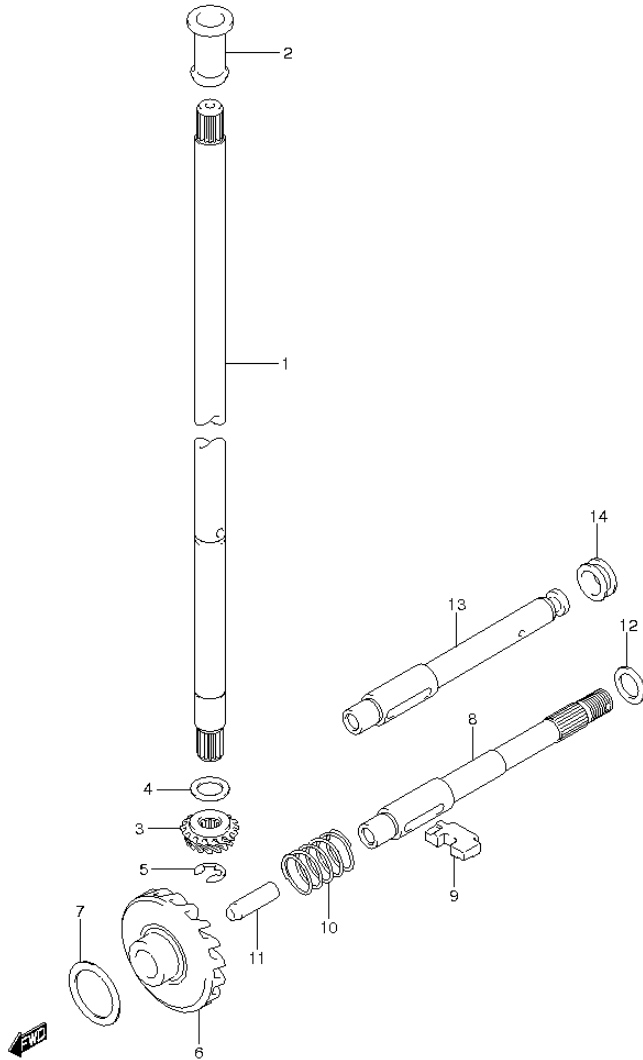


FIG. 11 (1-B-12) DRIVE SHAFT

REF NO.	PART NO.	DESCRIPTION	Q' TY	REMARKS
1	57111-97J10	SHAFT, DRIVE (S)	1	
2	57130-91JL0	BUSH, DRIVE SHAFT	1	
3	57311-97JM0	PINION (NT:17)	1	
4-1	09181-10015	SHIM (10X16X1.8)	1	PINION ADJ
4-2	09181-10016	SHIM (10X16X1.9)	1	
4-3	09181-10017	SHIM (10X16X2)	1	
4-4	09181-10018	SHIM (10X16X2.1)	1	
4-5	09181-10019	SHIM (10X16X2.2)	1	
5	08332-1106A	E RING	1	
6	57510-97JM0	GEAR, FORWARD (NT:28)	1	
7-1	09181-17022	SHIM (17X23X0.3)	1	FWD GEAR BACKUP
7-2	09181-17023	SHIM (17X23X0.4)	1	
7-3	09181-17024	SHIM (17X23X0.5)	1	
7-4	09181-17025	SHIM (17X23X0.6)	1	
8	57611-97J10	SHAFT, PROPELLER	1	W/ALUMINUM
9	57621-97J10	SHIFTER, CLUTCH DOG	1	
10	59441-97J20	SPRING, RETURN	1	
11	57631-97JL0	ROD, PUSH	1	
12-1	09181-12017	WASHER (12X20X1.6)	1	PROP SFT REV THRUST
12-2	09181-12018	WASHER (12X20X1.7)	1	
12-3	09181-12019	WASHER (12X20X1.8)	1	
12-4	09181-12020	WASHER (12X20X1.9)	1	
12-5	09181-12021	WASHER (12X20X2)	1	
13	57611-97J20	SHAFT, PROPELLER	1	W/PLASTIC
14	56123-97J20	PROTECTOR,PROP SHAFT OIL SEAL	1	W/PLASTIC

FIG.12

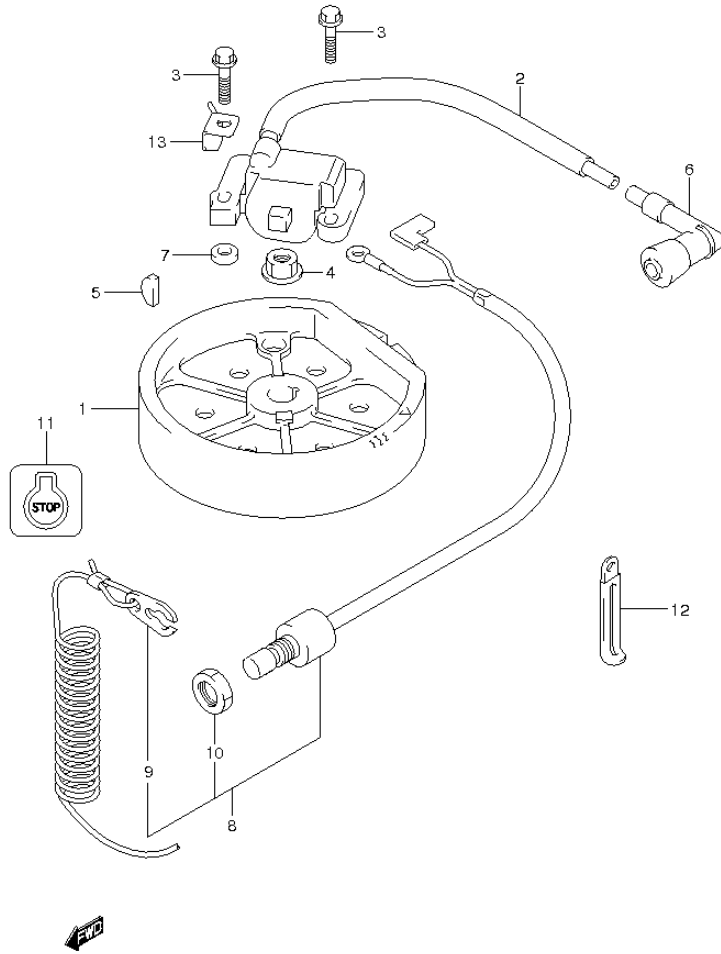
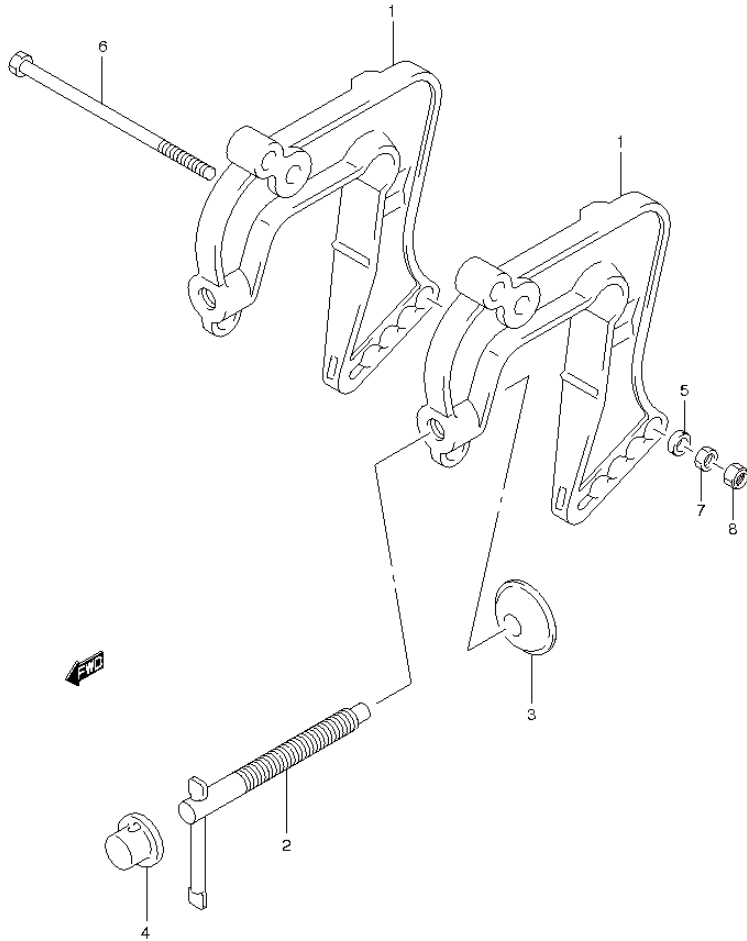


FIG.12 (1-B-13) MAGNETO

REF NO.	PART NO.	DESCRIPTION	Q' TY	REMARKS
1	32102-97J10	FLYWHEEL	1	
2	33410-97J10	UNIT, IGNITER	1	
3	01550-06307	BOLT	2	
4	08316-10107	NUT	1	
5	08341-31039	KEY	1	
6	33500-07H00	CAP, SPARK PLUG	1	
7	09180-06363	SPACER (6.2X12.6X6)	2	
8	37830-97J20	SWITCH ASSY, EMERGENCY	1	
9	37823-97J00	·PLATE, LOCK	1	
10	37826-97J00	·NUT	1	
11	37835-95D00	LABEL, STOP	1	
12	29404-93J10	CLAMP (L:65)	2	
13	19183-97J01	HOLDER, THROTTLE CABLE	1	

**FIG.13**



**FIG.13 (1-B-14) CLAMP BRACKET**

REF NO.	PART NO.	DESCRIPTION	QTY	REMARKS
1	41111-97J31-0EP	BRACKET, CLAMP (BLACK)	2	
2	41210-97J00	HANDLE, CLAMP	2	
3	41213-98100	PLATE, CLAMP	2	
4	41214-97J00	CAP, CLAMP SCREW	2	
5	59181-97J10	SPACER, TILT LOCK	1	
6	09100-06176	BOLT (6X120)	1	
7	29141-93J00	NUT, TILT LOCK NO.1	1	
8	09159-06079	NUT	1	

FIG.14

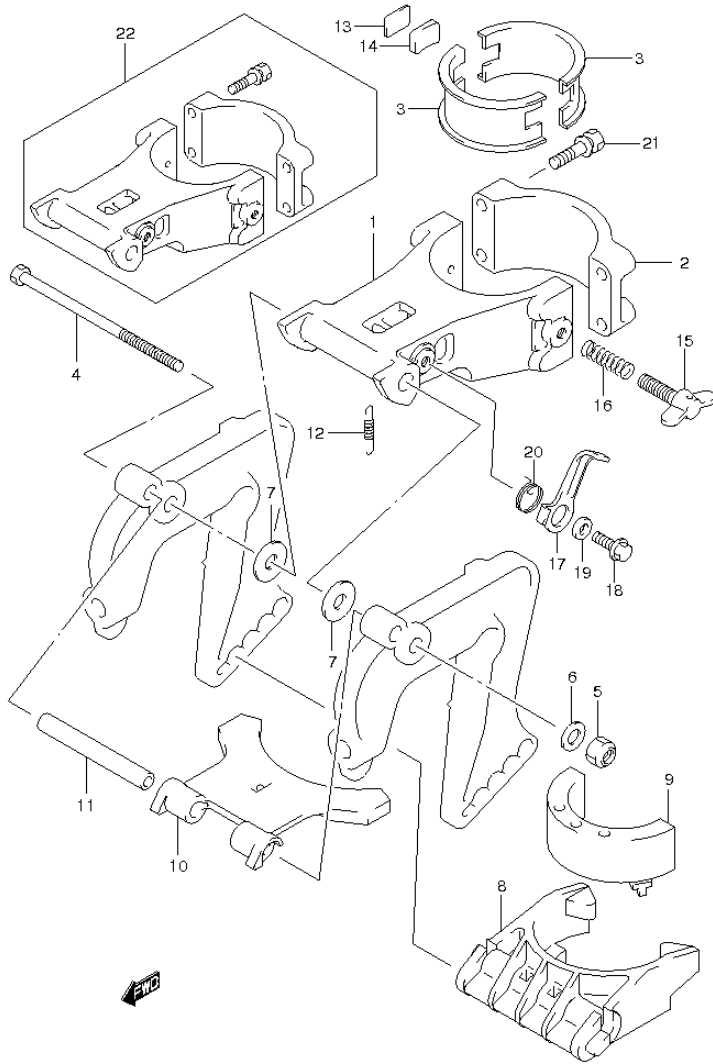


FIG.14 (1-B-15) SWIVEL BRACKET

REF NO.	PART NO.	DESCRIPTION	Q'TY	REMARKS
1	43111-97J30-0EP	BRACKET, SWIVEL (BLACK)	1	
2	43121-97J30-0EP	COVER, SWIVEL BRACKET (BLACK)	1	
3	43711-97J00	BUSH, STEERING UPPER	2	
4	59111-97JL0	BOLT, SWIVEL SHAFT	1	
5	09159-08018	NUT	1	
6	09160-08091	WASHER (8.5X14X1.0)	1	
7	09160-08081	WASHER (8.5X23X1.5)	2	
8	45411-97J00	BLOCK, THRUST	1	
9	54151-97JL0	MOUNT, LOWER THRUST	1	
10	43751-97J01	BRACKET, STOPPER	1	
11	43752-97J00	SHAFT, STOPPER	1	
12	59443-97J00	SPRING, STOPPER	1	
13	43415-97J10	PLATE, STEERING ADJUSTER	1	
14	43416-97J10	RUBBER, STEERING ADJUSTER	1	
15	09119-06110	BOLT	1	
16	09440-09042	SPRING	1	
17	41221-97JL0	LEVER, TILT LOCK	1	
18	09116-06224	BOLT (6X12)	1	
19	59181-97J10	SPACER, TILT LOCK LEVER	1	
20	59444-97J10	SPRING, TILT LOCK	1	
21	09116-06207	BOLT (6X30)	4	
22	43110-97J30-0EP	BRACKET ASSY, SWIVEL (BLACK)	1	OPT

FIG.15

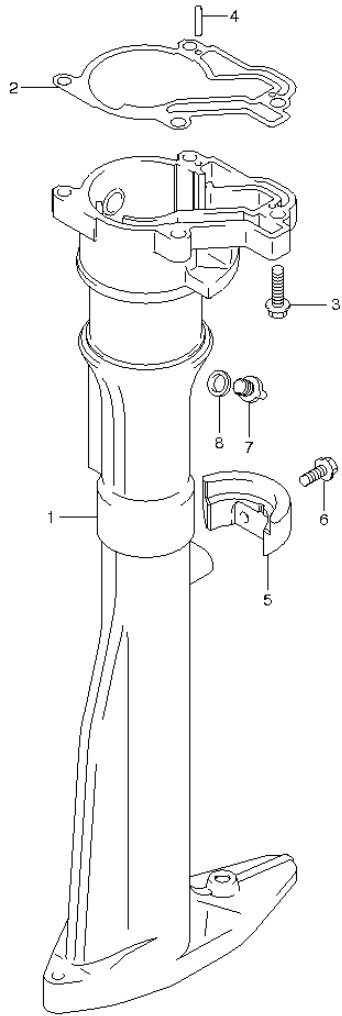


FIG.15 (1-C-2) DRIVE SHAFT HOUSING

REF NO.	PART NO.	DESCRIPTION	Q' TY	REMARKS
1	52111-97J30-0EP	HOUSING, DRIVE SHAFT (BLACK)	1	
2	52113-97J00	GASKET, DRIVE SHAFT HSG	1	
3	09116-06227	BOLT (6X20)	4	
4	09205-03019	SPRING PIN (3X10)	2	
5	52112-97J30-0EP	STOPPER, REV THRUST (BLACK)	1	
6	09116-06227	BOLT (6X20)	2	
7	61155-97J00	UNION, WATER INSPECTION	1	
8	59178-97J00	GASKET, WATER INSPECTION	1	

FIG.16

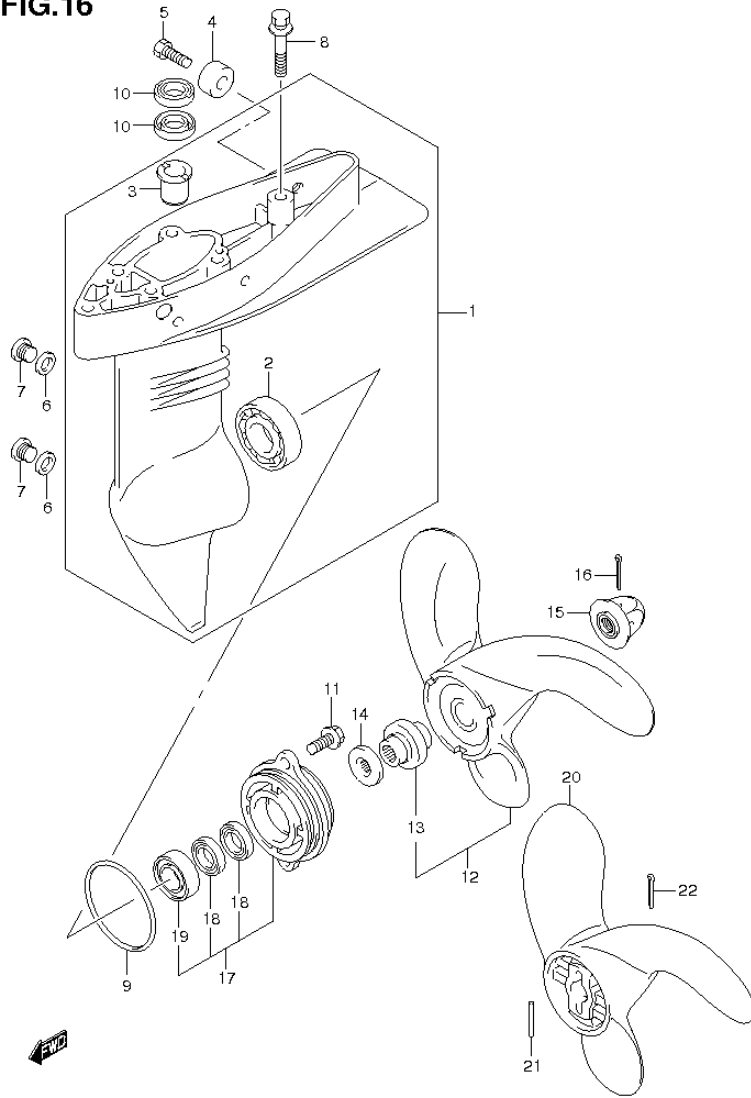


FIG.16 (1-C-3) GEAR CASE

REF NO.	PART NO.	DESCRIPTION	Q'TY	REMARKS
1	55110-97J50-0EP	CASE, GEAR (BLACK)	1	
2	09262-17L01	·BEARING	1	
3	59311-97J20	·BUSH, PINION	2	
4	55321-87J00	ANODE, PROTECTION	1	
5	09103-06281	BOLT (6X14)	1	
6	59178-97J00	GASKET, DRAIN PLUG	2	
7	09248-08001	PLUG	2	
8	09116-06099	BOLT (6X35)	2	
9	59291-97J00	O RING, PROP SFT BRG HOUSING	1	
10	09282-10008	OIL SEAL (10X21X4.5)	2	
11	09116-06225	BOLT (6X16)	2	
12	58110-97JA0-019	PROPELLER (9-1/4X10) (BLACK)	1	W/ALUMINUM
13	58120-97JA0	·BUSH, PROPELLER	1	W/ALUMINUM
14	57635-91JL0	STOPPER, PROPELLER BUSH	1	W/ALUMINUM
15	58130-91JL0	NUT, PROPELLER	1	W/ALUMINUM
16	09204-03003	PIN	1	W/ALUMINUM
17	56120-97J50-0EP	HOUSING, PROP SFT BRG (BLACK)	1	
18	09282-12L05	·OIL SEAL	2	
19	09262-12001	·BEARING (12X28X8)	1	
20	58111-97JB0	PROPELLER (3X185X135)	1	W/PLASTIC
21	09202-04002	PIN (4X24)	1	W/PLASTIC
22	09204-02001	PIN	1	W/PLASTIC

FIG.17

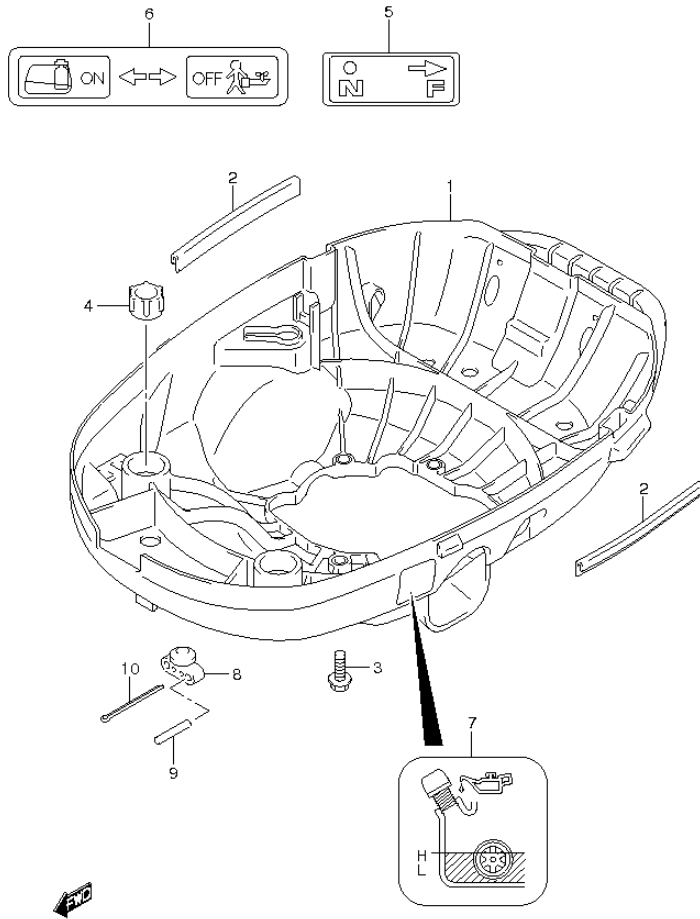


FIG.17 (1-C-4) LOWER COVER

REF. NO.	PART NO.	DESCRIPTION	Q' TY	REMARKS
1	61110-97J01-YR9	COVER, LOWER (GRAY)	1	
2	61135-97J00	CUSHION, LOWER COVER	2	
3	09116-06227	BOLT (6X20)	4	
4	61151-91J01	CUSHION, FUEL TANK HOLDER	2	
5	21131-97J20	MARK, CLUTCH SHIFT (S)	1	
6	61211-97J00	MARK, FUEL COCK (S)	1	
7	61212-97J00	MARK, OIL LEVEL (S)	1	
8	61521-91J00	HOLDER, SHEAR PIN	1	
9	09202-04002	PIN (4X24)	2	
10	09204-02001	PIN	1	



FIG.18

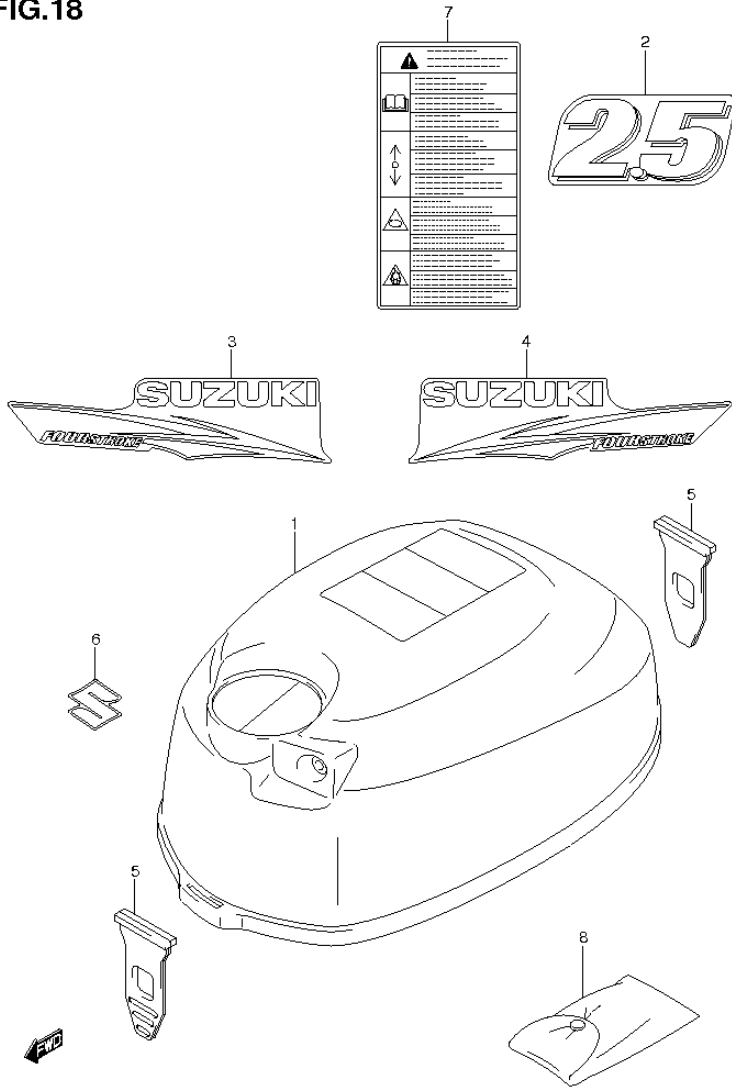


FIG.18 (1-C-5) ENGINE COVER

REF. NO.	PART NO.	DESCRIPTION	Q'TY	REMARKS
1	61411-97J10-YR9	COVER, ENGINE UPPER (GRAY)	1	
2	61435-97J30	MARK, EMBLEM REAR (2.5)	1	
3	61443-97J20	STRIPE, ENGINE COVER STBD	1	
4	61453-97J20	STRIPE, ENGINE COVER PORT	1	
5	61611-97J00	FASTENER, ENGINE COVER	2	
6	68111-99J00	EMBLEM, "S"	1	
7	61458-97J30	LABEL, ENGINE COVER	1	
8	09800-01007	TOOL ASSY	1	

FIG.19

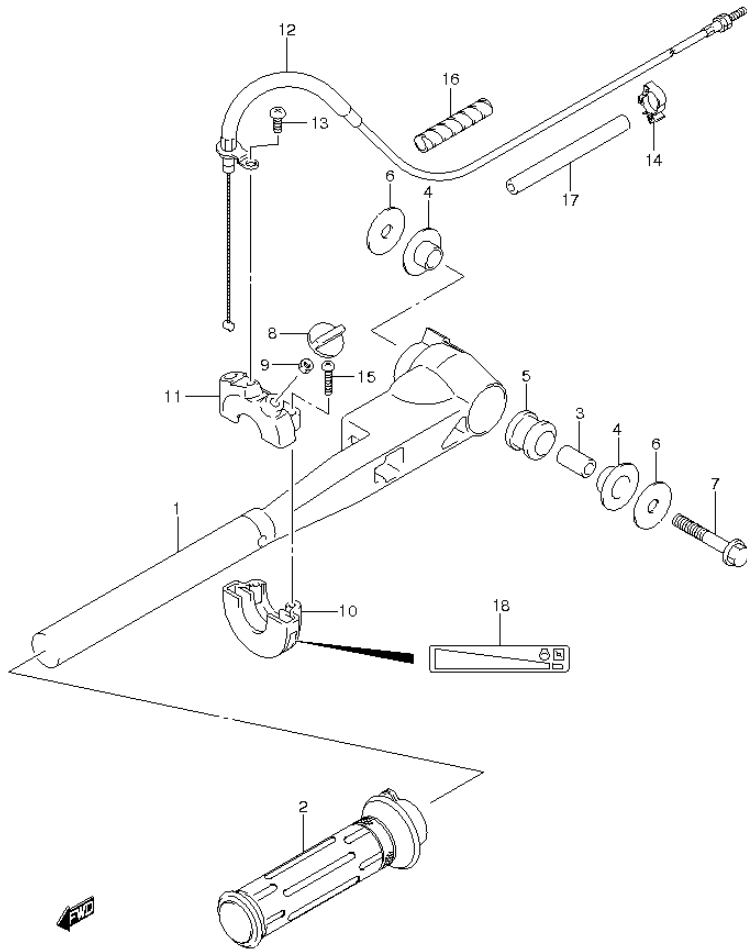
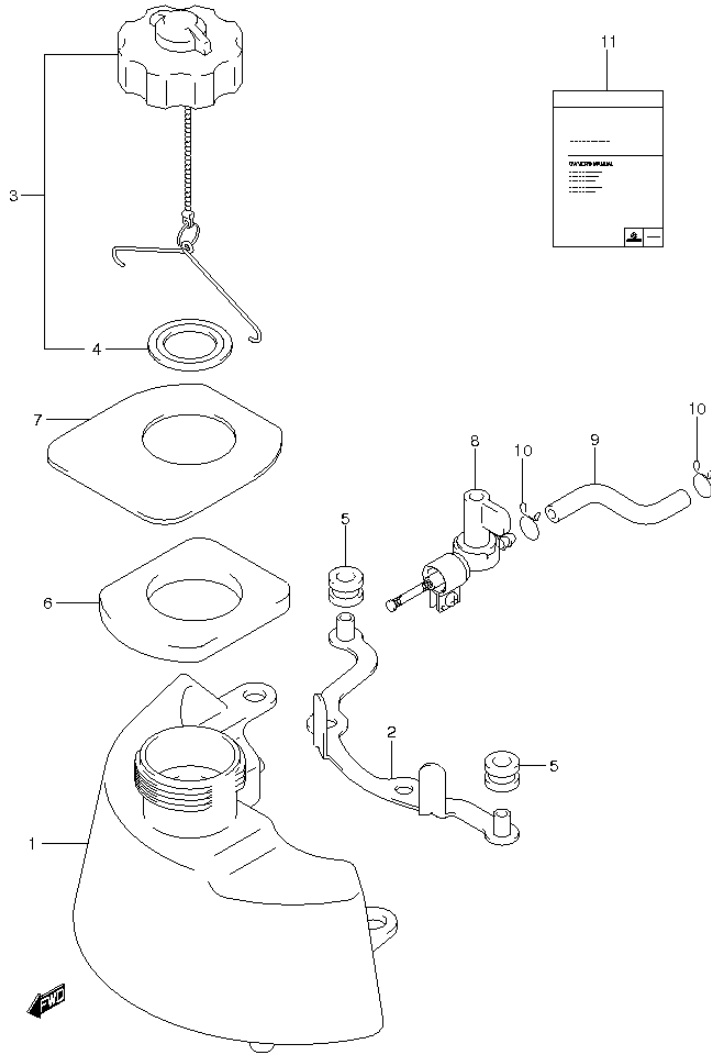


FIG.19 (1-C-6) TILLER HANDLE

REF NO.	PART NO.	DESCRIPTION	QTY	REMARKS
1	63111-97J20-OEP	HANDLE, TILLER (BLACK)	1	
2	63210-97J00	GRIP, THROTTLE	1	
3	59181-97J00	SPACER, TILLER HANDLE	1	
4	59315-97J00	BUSH, TILLER HANDLE	2	
5	63116-97J00	MOUNT, TILLER HANDLE	1	
6	09160-08152	WASHER (8.5X28X1.5)	2	
7	09116-08154	BOLT (6X20)	1	
8	63244-97J00	KNOB, THROTTLE ADJUST	1	
9	09140-05005	NUT	1	
10	57121-09G00	CASE, THROTTLE UPPER	1	
11	67821-97J00	CASE, THROTTLE LOWER	1	
12	63610-97J00	CABLE ASSY, THROTTLE	1	
13	02112-05127	SCREW	1	
14	23915-78A20	CLAMP, THROTTLE CABLE	2	
15	59125-97J00	SCREW, THROTTLE CABLE	2	
16	33833-91J00	TUBE, THROTTLE CABLE (6X8X250)	1	L:250->50
17	09352-90133-600	HOSE (9X13X600)	1	L:600->90
18	69714-97J01	MARK, HANDLE GRIP	1	

**FIG.20**



**FIG. 20 (1-G-7) FUEL TANK**

REF NO.	PART NO.	DESCRIPTION	Q' TY	REMARKS
1	65110-97J21	TANK, FUEL	1	
2	65260-97J00	BRACKET, FUEL TANK	1	
3	65510-91JL1	CAP ASSY, FUEL TANK	1	
4	09168-32001	GASKET (32X48X2.5)	1	
5	09320-09039	CUSHION	2	
6	65281-97J10	GROMMET, FUEL TANK	1	
7	65284-97J11	RUBBER, FUEL TANK GROMMET	1	
8	66100-97JL0	COCK ASSY, FUEL	1	
9	15191-97JL0	HOSE, FUEL (COCK TO CARB)	1	
10	59412-91J00	CLIP, FUEL HOSE	2	
11	99011-97J10-055	MANUAL, OWNER'S	1	





## **SUZUKI DF2.5 PARTS CATALOGUE**

---

SUZUKI MOTOR CORPORATION All rights reserved

No part of this document may be reproduced or transmitted in any form or by any means, electronic or mechanical, for any purpose, without the express written permission of Suzuki Motor Corporation.

SUZUKI MOTOR CORPORATION

Technical Readiness Group, Quality Administration Department  
300 Takatsuka, Minami, Hamamatsu, Japan

---

Reprint Prohibited

**SUZUKI MOTOR CORPORATION**