

БОЛЬШОЙ СКЛАД ЗАПЧАСТЕЙ В САНКТ-ПЕТЕРБУРГЕ

Для лодочных моторов Suzuki в наличии все ходовые запчасти, сервисные наборы, расходные материалы, оригинальные аксессуары, оригинальные и не оригинальные гребные винты, “ноги”, тросы для установки на лодку и многое другое.

Найдите в каталоге коды необходимых запчастей

и отправьте их список на Email: parts-katalog@yandex.ru

мы пришлём информацию о цене и наличии

Возможен самовывоз со склада в Санкт-Петербурге

или отправка EMS по России

Наш сайт: www.partskatalog.ru

Контактный телефон: +7 (981) 121-46-93

Особое внимание, обратите на модификацию двигателя. Сверьте серийный номер и скачайте «правильный» каталог запчастей. Не путайте старые моторы серии «Т» и новые серии «А».

SUZUKI

PARTS CATALOGUE

DF4/5/6

DF4

DF5

DF6



OUTBOARD MOTOR

P01

2013-6

1ST EDITION

PREFACE

When it becomes necessary to replace parts on SUZUKI OUTBOARD MOTORS, always use SUZUKI GENUINE PARTS which have passed a strict inspection which guarantees quality and performance.

This parts catalogue covers the list of all service parts for SUZUKI DF4/5/6 production start 2013.

INSTRUCTIONS FOR QUOTING THE CATALOGUE

1. DIMENSIONS

Dimensions of the parts in this catalogue are indicated in unit millimeters.

2. ABBREVIATIONS

Abbreviations used in this catalogue are as follows:

AR	: As required	NT	: Number of teeth
ASSY	: Assembly	OPT	: Optional
E. NO.	: Engine number	OS	: Over size
F. NO.	: Frame number	STD	: Standard
D	: Diameter of material	T	: Thickness
ID	: Inside diameter	US	: Under size
OD	: Outside diameter	W	: Width
L	: Length	W/	: With
LH(PORT)	: Left hand side	S. L	: Transom type
RH(STBD)	: Right hand side	SUS	: Stainless steel
~123456	: Up to E. NO. 00402F-123456		
123456~	: From E. NO. 00402F-123456		
12 x 34 x 5.6.....	Figures in the description column		
	show the dimensions of parts.		
ID	OD	T(or W, L)	

→12345-56781 (Parts No.) : indicates that the parts number was changed to 12345-56781 and the new parts are interchangeable with the former ones but the former ones are not interchangeable with new ones.

←12345-56781 (Parts No.) : indicates that the former and new parts are interchangeable with each other and both are usable.

3. INNER PARTS OF ASSEMBLY

Part name with a dot (.) in front as shown in the description column indicates the component of the assembly also available individually.

4. MODIFICATION NOTICE

A parts bulletin will be sent to you on all occasions when changes in parts occur, including interchangeable modifications between new parts and old ones.

5. NOTE

5-1. There are some different parts from those of production models among spare parts for the administrative reasons and common use of them with other models.

5-2. In respect of rubber hoses and vinyl tubes, please be sure to use them by cutting off according to the length mentioned on parts catalogue or what is actually required on the vehicle.

5-3. Note that the drawings on the illustration page are for ready reference of spare parts number, not to be used as an assembly manual. When assembling, use "SUZUKI SERVICE MANUAL".

6. MODEL NAME AND ENGINE NUMBER

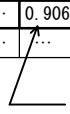
MODEL	DESTINATION	TYPE	TRANSOM	ENGINE No.
DF4L	P01	00402F	S, L	00402F-410001~
DF5L	P01	00502F	S, L	00502F-410001~
DF6L	P01	00602F	S, L	00602F-410001~

MILLIMETER → INCH CONVERSION CHART

	0	1	2	3	4	5	6	7	8	9
00	.000	.039	.079	.118	.157	.197	.236	.276	.315	.354
10	.394	.433	.472	.512	.551	.591	.630	.669	.709	.748
20	.787	.827	.866	.906	.945	.984	1.024	1.063	1.102	1.142
30	1.181	1.220	1.260	1.299	1.339	1.378	1.417	1.457	1.496	1.535
40	1.575	1.614	1.654	1.693	1.732	1.772	1.811	1.850	1.890	1.929
50	1.969	2.008	2.047	2.087	2.126	2.165	2.205	2.214	2.283	2.323
60	2.362	2.402	2.441	2.480	2.520	2.559	2.598	2.638	2.677	2.717
70	2.756	2.795	2.835	2.874	2.913	2.953	2.992	3.031	3.071	3.110
80	3.150	3.189	3.228	3.268	3.307	3.346	3.386	3.425	3.465	3.504
90	3.543	3.583	3.622	3.661	3.701	3.740	3.780	3.819	3.858	3.898

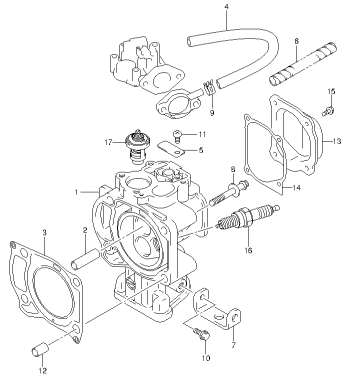
How to read

	0	1	2	3	4
00
10
20	0.906	...
30


 23 millimeters equal 0.906 inch

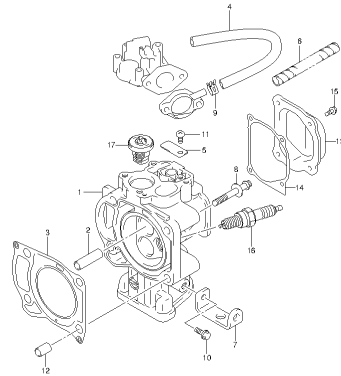
Contents are subject to change without notice or obligation.

FIG.1



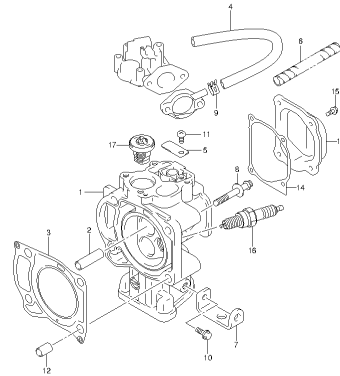
DF4_5_8_P01_014_001
CYLINDER HEAD

FIG.2



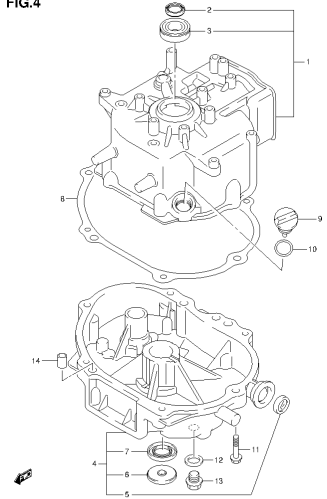
DF4_5_8_P01_014_002
CYLINDER HEAD

FIG.3



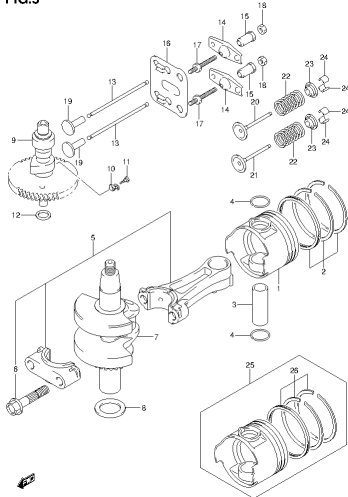
DF4_5_8_P01_014_003
CYLINDER HEAD

FIG.4



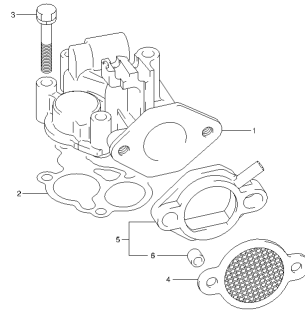
DF4_5_8_P01_014_004
CYLINDER BLOCK

FIG.5



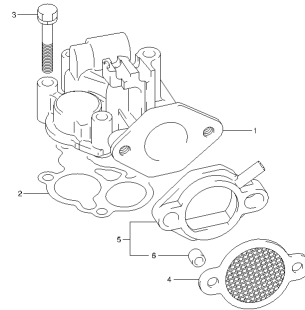
DF4_5_8_P01_014_005
CRANKSHAFT

FIG.6



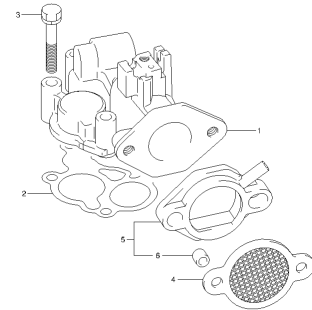
DF4_5_8_P01_014_006
INTAKE MANIFOLD

FIG.7



DF4_5_8_P01_014_007
INTAKE MANIFOLD

FIG.8



DF4_5_8_P01_014_008
INTAKE MANIFOLD

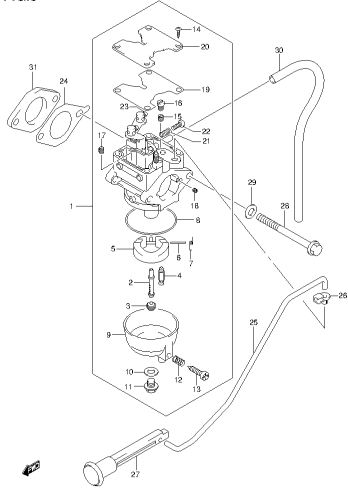
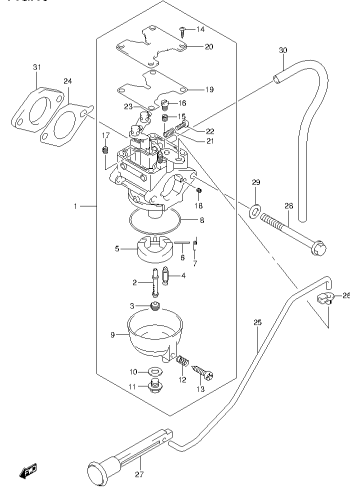
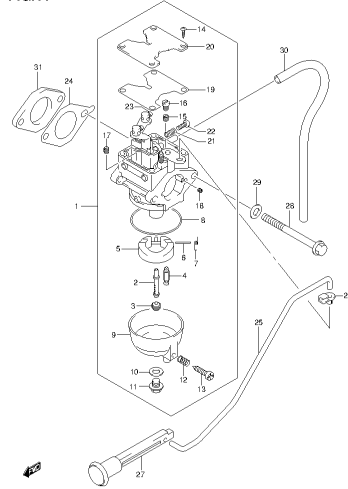
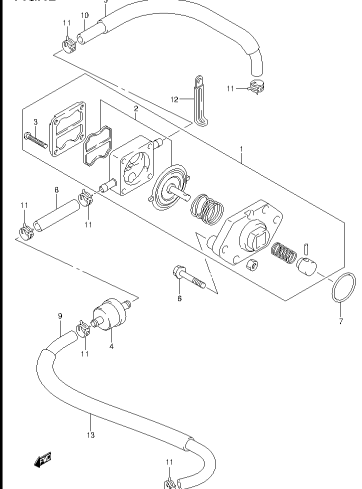
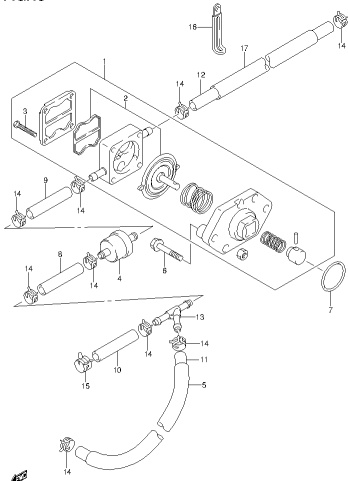
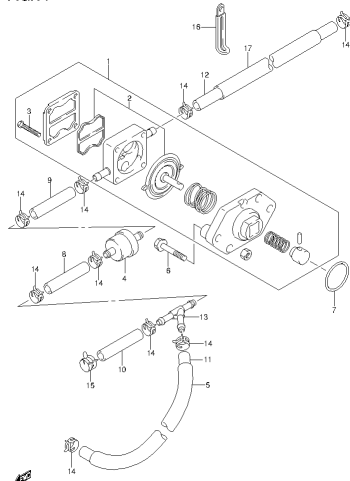
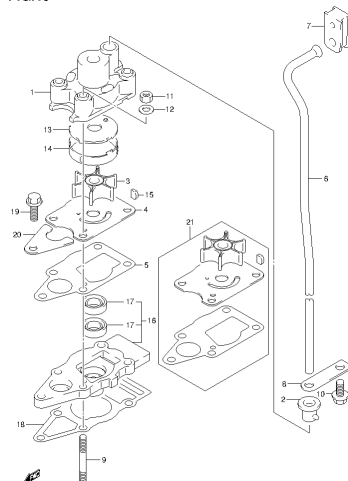
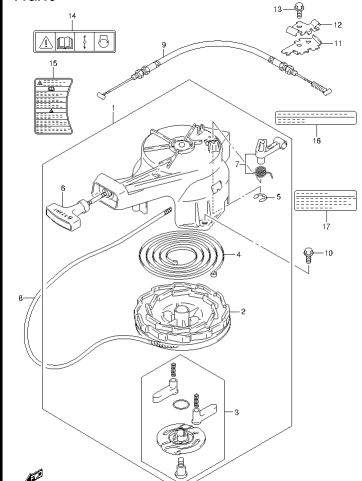
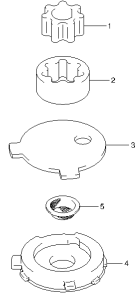
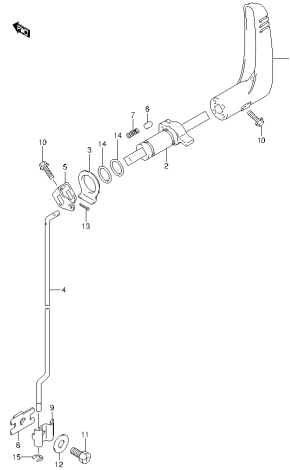
FIG.9DF4_5_S_P01_014_009
CARBURETOR**FIG.10**DF4_5_S_P01_014_010
CARBURETOR**FIG.11**DF4_5_S_P01_014_011
CARBURETOR**FIG.12**DF4_5_S_P01_014_012
FUEL PUMP**FIG.13**DF4_5_S_P01_014_013
FUEL PUMP**FIG.14**DF4_5_S_P01_014_014
FUEL PUMP**FIG.15**DF4_5_S_P01_014_015
WATER PUMP**FIG.16**DF4_5_S_P01_014_016
RECOIL STARTER

FIG.17



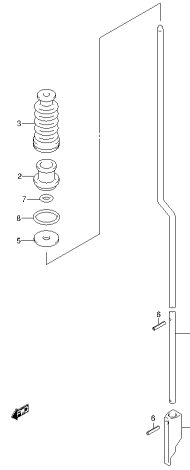
DF4L5_8_P01_014_017
OIL PUMP

FIG.18



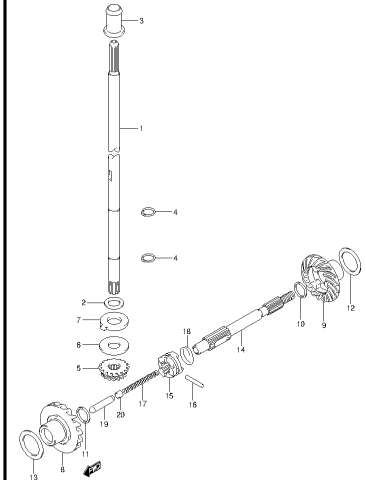
DF4L5_8_P01_014_018
CLUTCH LEVER

FIG.19



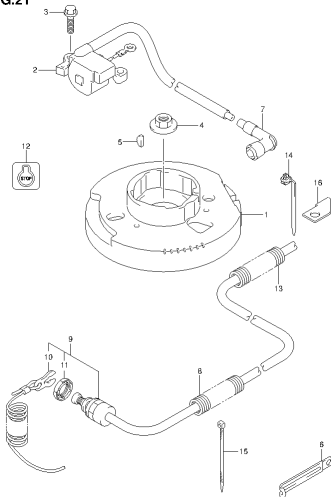
DF4L5_8_P01_014_019
SHIFT ROD

FIG.20



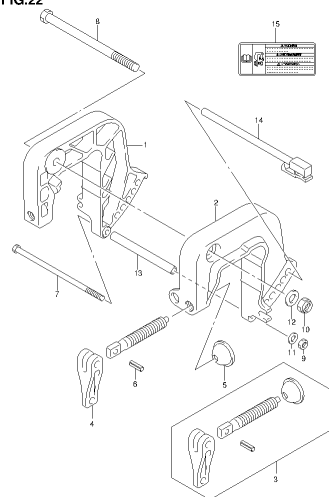
DF4L5_8_P01_014_020
DRIVE SHAFT

FIG.21



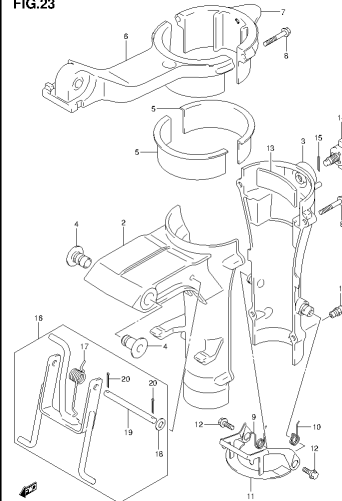
DF4L5_8_P01_014_021
MAGNETO

FIG.22



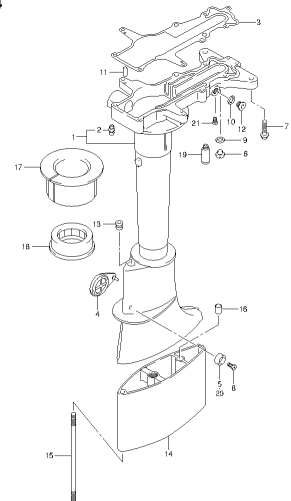
DF4L5_8_P01_014_022
CLAMP BRACKET

FIG.23

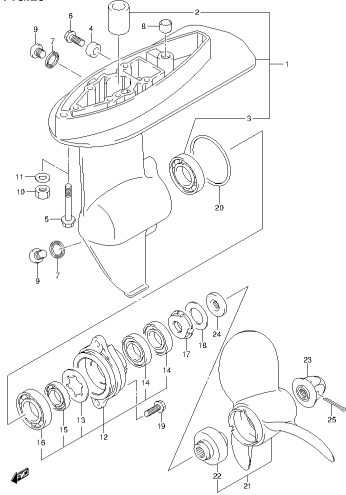


DF4L5_8_P01_014_023
SWIVEL BRACKET

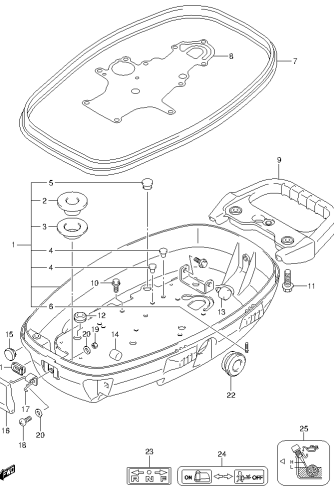
FIG.24



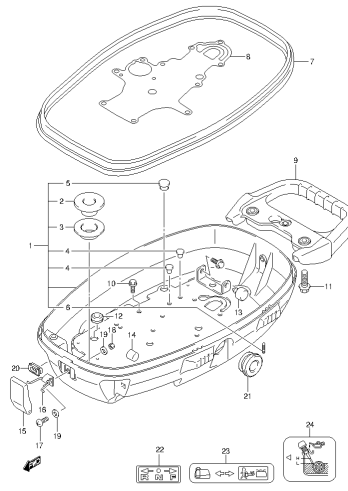
DF4L5_8_P01_014_024
DRIVE SHAFT HOUSING

FIG.25

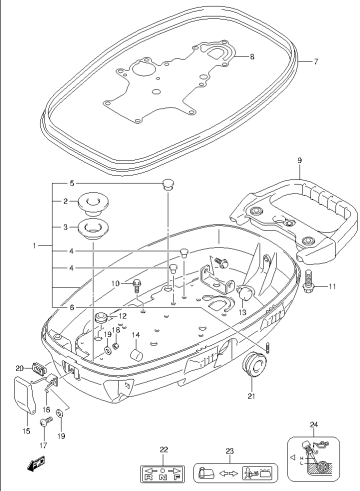
DF4_5_8_P01_014_025
GEAR CASE

FIG.26

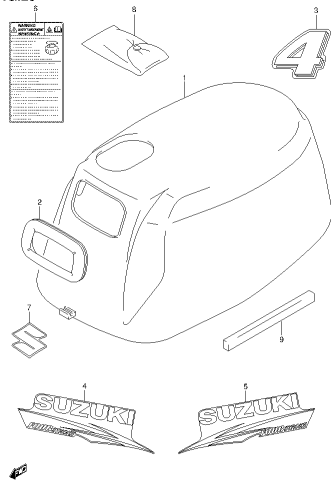
DF4_5_8_P01_014_026
LOWER COVER

FIG.27

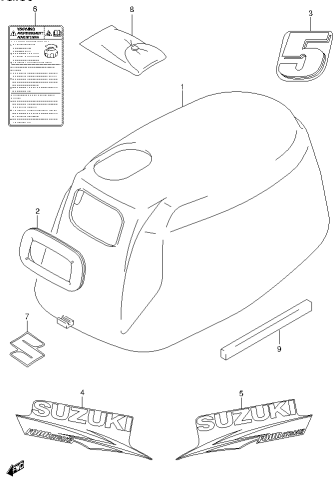
DF4_5_8_P01_014_027
LOWER COVER

FIG.28

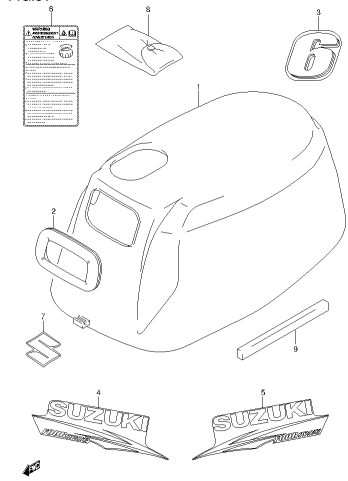
DF4_5_8_P01_014_028
LOWER COVER

FIG.29

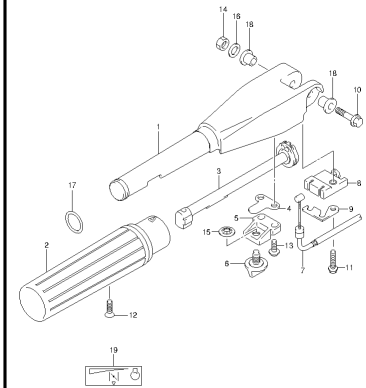
DF4_5_8_P01_014_029
ENGINE COVER

FIG.30

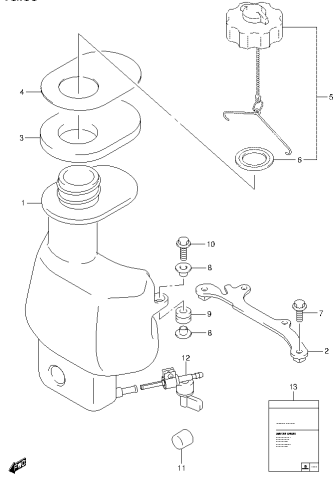
DF4_5_8_P01_014_030
ENGINE COVER

FIG.31

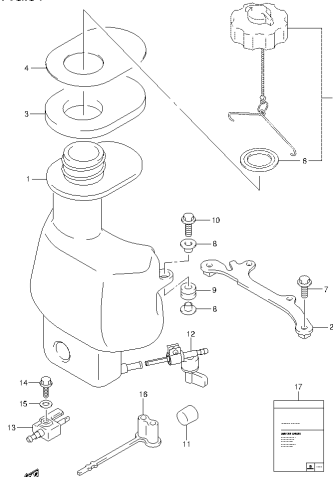
DF4_5_8_P01_014_031
ENGINE COVER

FIG.32

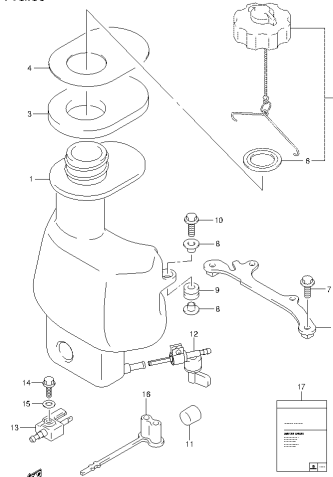
DF4_5_8_P01_014_032
TILLER HANDLE

FIG.33

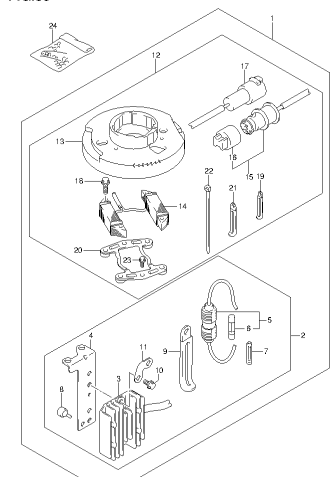
DF4_5_8_P01_014_033
FUEL TANK

FIG.34

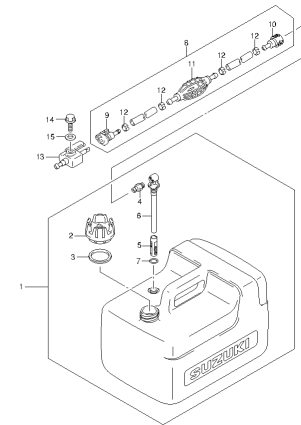
DF4_5_8_P01_014_034
FUEL TANK

FIG.35

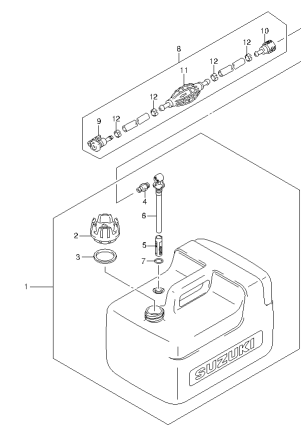
DF4_5_8_P01_014_035
FUEL TANK

FIG.36

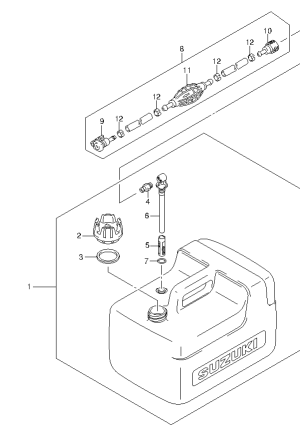
DF4_5_8_P01_014_036
OPT.ELECTRICAL

FIG.37

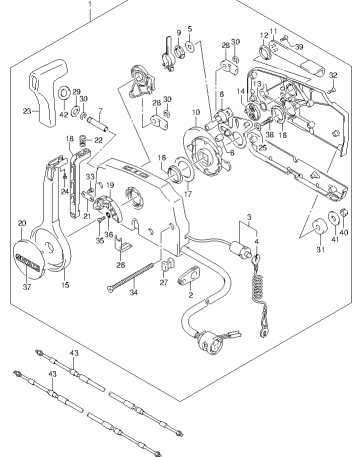
DF4_5_8_P01_014_037
OPT.FUEL TANK

FIG.38

DF4_5_8_P01_014_038
OPT.FUEL TANK

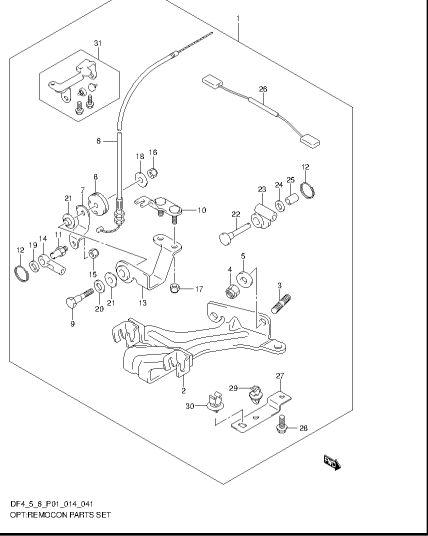
FIG.39

DF4_5_8_P01_014_039
OPT.FUEL TANK

FIG.40

DF4_5_8_P01_014_040
OPT.REMOTE CONTROL

FIG.41



DF4LS_3_F01_014_041
OPTIFREMOCON PARTS SET

FIG.1

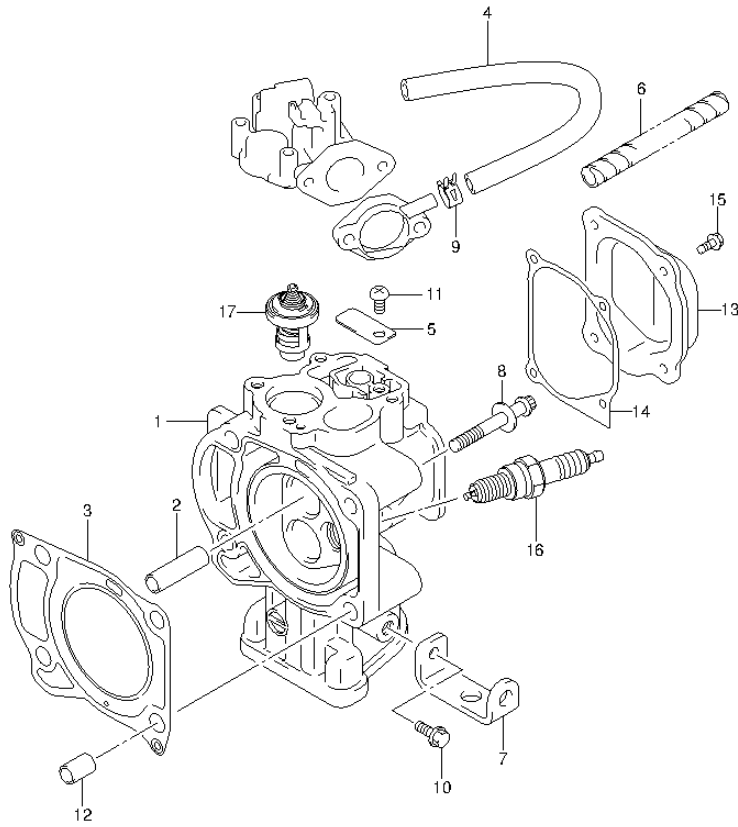


FIG.1 (1-B-2) CYLINDER HEAD (DF4 P01)

REF NO.	PART NO.	DESCRIPTION	Q'TY	REMARKS
1	11110-91J30	HEAD, CYLINDER	1	
2	11114-90980	GUIDE, VALVE	1	OPT
3	11141-91JL0	GASKET, CYLINDER HEAD	1	
4	11174-91J00	HOSE, BREATHER	1	
5	11452-91J00	VALVE, REED	1	
6	18498-91JL0-180	PROTECTOR	1	
7	61827-91J00	HOLDER, LOWER COVER	1	
8	11117-91JL0	BOLT, CYLINDER HEAD	4	
9	09401-11424	CLIP	1	
10	01550-06167	BOLT	1	
11	02112-0612A	SCREW	1	
12	04211-11169	PIN	2	
13	11171-91J00	COVER, CYLINDER HEAD	1	
14	11189-91J00	GASKET, CYLINDER HEAD COVER	1	
15	01550-06167	BOLT	4	
16	09482-00L04	SPARK PLUG (CPR6EA-9)	1	NGK
17	17670-91J10	THERMOSTAT (50C)	1	



FIG.2

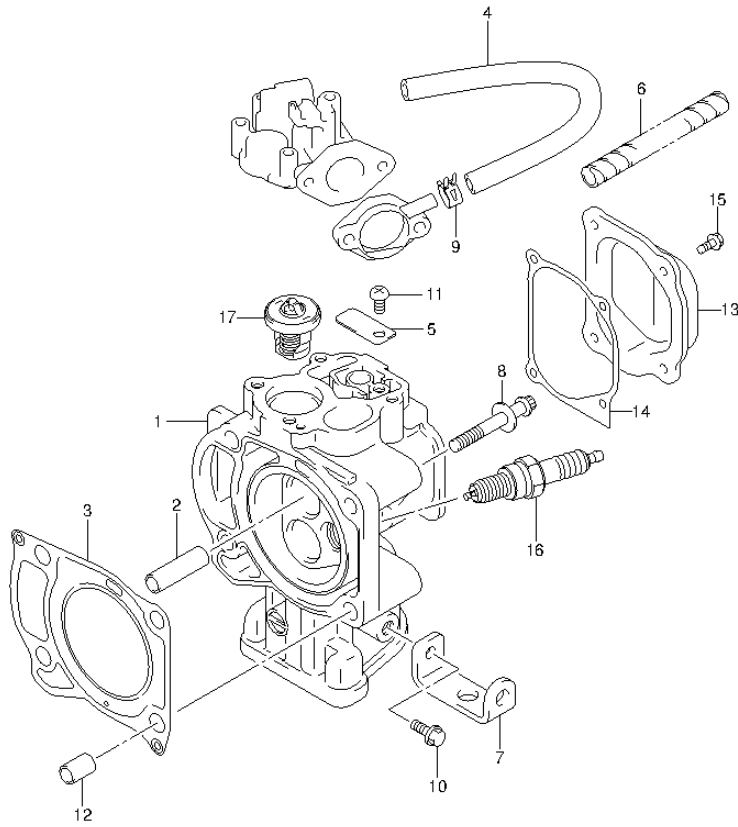


FIG.2 (1-B-3) CYLINDER HEAD (DF5 P01)

REF NO.	PART NO.	DESCRIPTION	Q'TY	REMARKS
1	11110-91J30	HEAD, CYLINDER	1	
2	11114-90980	GUIDE, VALVE	1	OPT
3	11141-91JL0	GASKET, CYLINDER HEAD	1	
4	11174-91J00	HOSE, BREATHER	1	
5	11452-91J00	VALVE, REED	1	
6	18498-91JL0-180	PROTECTOR	1	
7	61827-91J00	HOLDER, LOWER COVER	1	
8	11117-91JL0	BOLT, CYLINDER HEAD	4	
9	09401-11424	CLIP	1	
10	01550-06167	BOLT	1	
11	02112-0612A	SCREW	1	
12	04211-11169	PIN	2	
13	11171-91J00	COVER, CYLINDER HEAD	1	
14	11189-91J00	GASKET, CYLINDER HEAD COVER	1	
15	01550-06167	BOLT	4	
16	09482-00L04	SPARK PLUG (CPR6EA-9)	1	NGK
17	17670-91J20	THERMOSTAT (42C)	1	



FIG.3

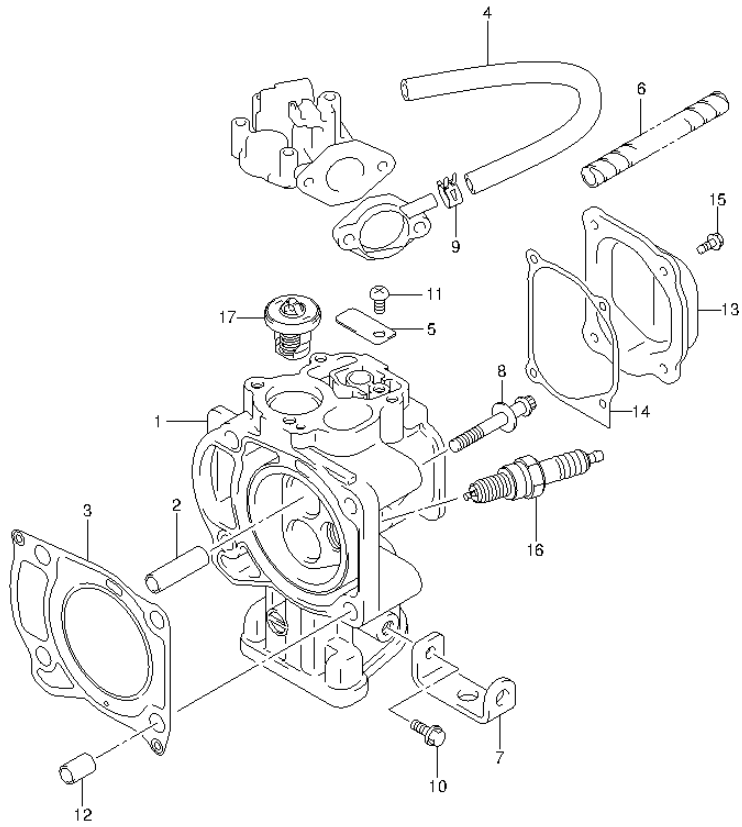


FIG.3 (1-B-4) CYLINDER HEAD (DF6 P01)

REF NO.	PART NO.	DESCRIPTION	Q'TY	REMARKS
1	11110-91J30	HEAD, CYLINDER	1	
2	11114-90980	GUIDE, VALVE	1	OPT
3	11141-91JL0	GASKET, CYLINDER HEAD	1	
4	11174-91J00	HOSE, BREATHER	1	
5	11452-91J00	VALVE, REED	1	
6	18498-91JL0-180	PROTECTOR	1	
7	61827-91J00	HOLDER, LOWER COVER	1	
8	11117-91JL0	BOLT, CYLINDER HEAD	4	
9	09401-11424	CLIP	1	
10	01550-06167	BOLT	1	
11	02112-0612A	SCREW	1	
12	04211-11169	PIN	2	
13	11171-91J00	COVER, CYLINDER HEAD	1	
14	11189-91J00	GASKET, CYLINDER HEAD COVER	1	
15	01550-06167	BOLT	4	
16	09482-00L04	SPARK PLUG (CPR6EA-9)	1	NGK
17	17670-91J20	THERMOSTAT (42C)	1	



FIG.4

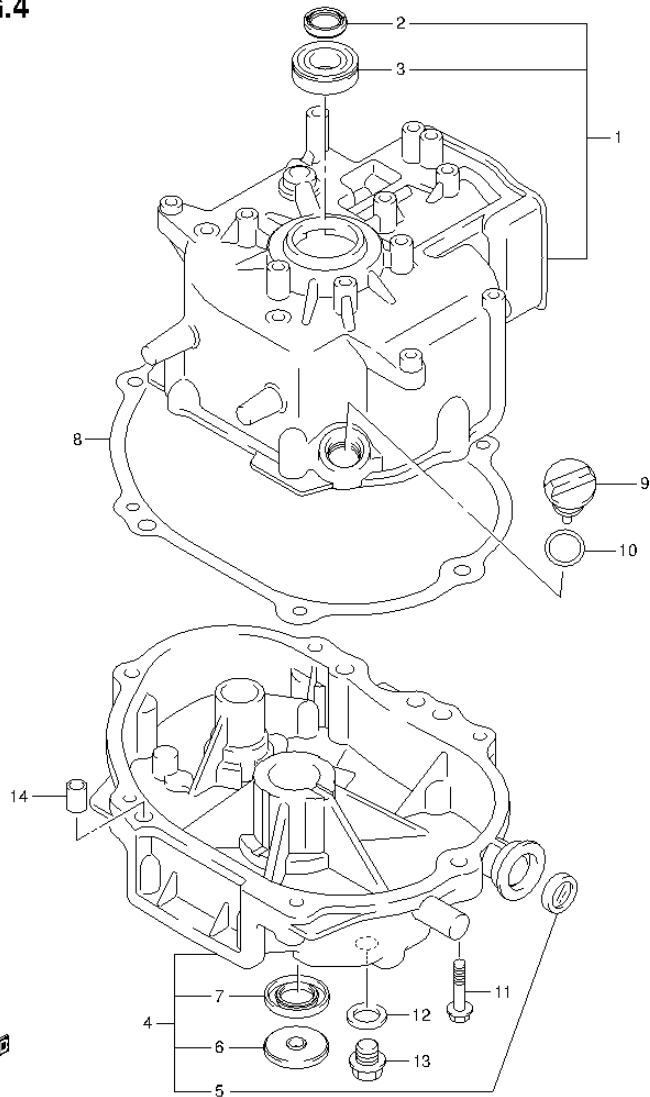


FIG.4 (1-B-5) CYLINDER BLOCK

REF NO.	PART NO.	DESCRIPTION	Q'TY	REMARKS
1	11200-91J20	BLOCK ASSY, CYLINDER	1	
2	09283-25098	.OIL SEAL (25X35X5)	1	
3	09262-25003	.BEARING (25X52X15)	1	
4	11300-91J20	CASE ASSY, CRANKSHAFT	1	
5	11971-91J01	.LENS, OIL LEVEL FILTER	1	
6	09283-10009	.OIL SEAL (10X45X5)	1	
7	09283-25076	.OIL SEAL (25X45X5)	1	LOWER
8	11351-91J00	GASKET, CRANKCASE	1	
9	11381-91J10	GAUGE, OIL LEVEL (YELLOW)	1	
10	09280-15007	O RING (D:2.4,ID:15.8)	1	
11	01550-06307	BOLT	6	
12	09168-10022	GASKET (10X17X1.5)	1	
13	09248-10008	PLUG (10X7.5)	1	
14	04211-09149	PIN	2	

FIG.5

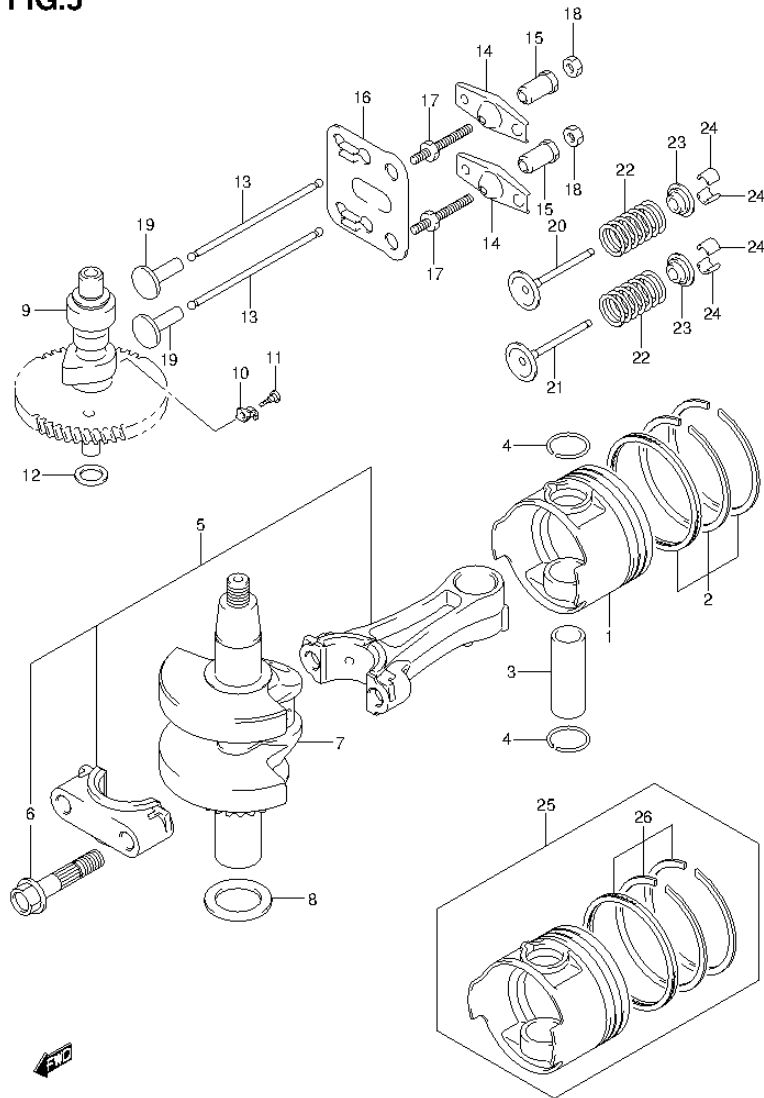
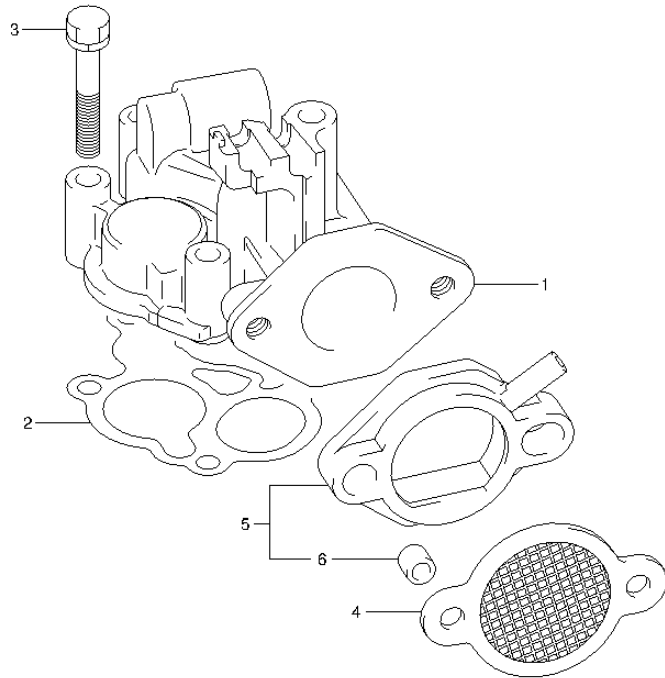


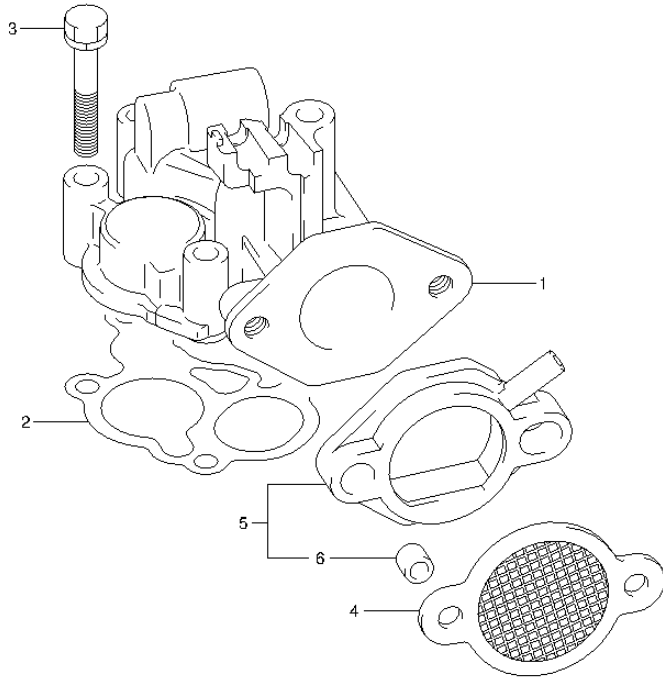
FIG.5 (1-B-6) CRANKSHAFT

REF NO.	PART NO.	DESCRIPTION	Q'TY	REMARKS
1	12111-91J01-0B0	PISTON	1	
2	12140-91J10	RING SET, PISTON	1	
3	12151-90900	PIN, PISTON	1	
4	09381-18002	SNAP RING	2	
5	12160-91JL0-0A0	CONNROD ASSY	1	
6	12163-91JL0	.BOLT CONNROD	2	
7	12200-91JL0	CRANKSHAFT ASSY	1	
8	08211-25361	WASHER	1	
9	12711-91J20	CAMSHAFT (NT:46)	1	
10	12951-91J00	CAM, DECOMPRESSION	1	
11	09106-02001	BOLT (2X9.8)	1	
12	08211-17251	WASHER	1	
13	12894-91JL0	ROD, PUSH	2	
14	12961-90900	ARM, ROCKER	2	
15	12962-91JL0	PIVOT	2	
16	12966-91J00	GUIDE, ROD	1	
17	09108-06126	STUD BOLT	2	
18	09140-06021	NUT	2	
19	12891-87C00	TAPPET	2	
20	12911-91J01	VALVE, INTAKE	1	
21	12915-91J01	VALVE, EXHAUST	1	
22	12921-91J00	SPRING, VALVE	2	
23	12931-78G00	RETAINER, VALVE SPRING	2	
24	12932-24400	COTTER, VALVE	4	
25	12100-91J10-050	PISTON SET (OS:0.50)	1	OPT
26	12140-91J10-050	.RING SET, PISTON (OS:0.50)	1	OPT

FIG.6**FIG.6 (1-B-7) INTAKE MANIFOLD (DF4 P01)**

REF NO.	PART NO.	DESCRIPTION	Q'TY	REMARKS
1	13111-91J90	MANIFOLD, INTAKE	1	
2	13119-91J00	GASKET, INLET MANIFOLD	1	
3	01570-06357	BOLT	4	
4	13710-91J20	ARRESTER, FLAME	1	
5	13720-91J30	HOLDER, FLAME ARRESTER	1	
6	09180-06310	.SPACER (6.5X10X10)	2	



FIG.7**FIG.7 (1-B-8) INTAKE MANIFOLD (DF5 P01)**

REF NO.	PART NO.	DESCRIPTION	Q'TY	REMARKS
1	13111-91J90	MANIFOLD, INTAKE	1	
2	13119-91J00	GASKET, INLET MANIFOLD	1	
3	01570-06357	BOLT	4	
4	13710-91J20	ARRESTER, FLAME	1	
5	13720-91J30	HOLDER, FLAME ARRESTER	1	
6	09180-06310	.SPACER (6.5X10X10)	2	



FIG.8

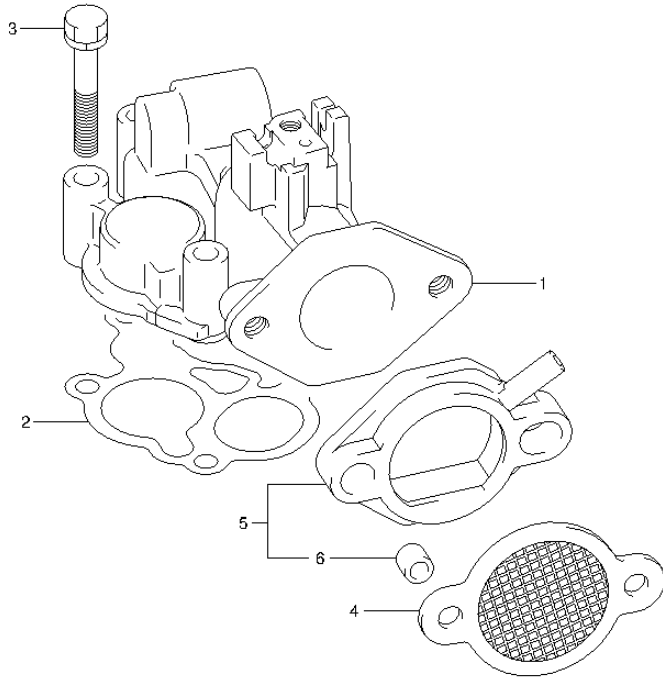


FIG.8 (1-B-9) INTAKE MANIFOLD (DF6 P01)

REF NO.	PART NO.	DESCRIPTION	Q'TY	REMARKS
1	13111-91J80	MANIFOLD, INTAKE	1	
2	13119-91J00	GASKET, INLET MANIFOLD	1	
3	01570-06357	BOLT	4	
4	13710-91J20	ARRESTER, FLAME	1	
5	13720-91J30	HOLDER, FLAME ARRESTER	1	
6	09180-06310	.SPACER (6.5X10X10)	2	



FIG.9

FIG.9 (1-B-10) CARBURETOR (DF4 P01)

REF NO.	PART NO.	DESCRIPTION	Q'TY	REMARKS
1	13200-91JQ0	CARBURETOR	1	
2	13236-91J50	.NOZZLE, MAIN	1	
3-1	09491-50L01	.JET, MAIN (50)	1	
3-2	09491-52L01	.JET, MAIN (52)	1	
3-3	09491-54L01	.JET, MAIN (54)	1	
4	13371-91J20	.VALVE, NEEDLE	1	
5	13250-97J00	.FLOAT	1	
6	13254-97J00	.PIN, FLOAT	1	
7	13268-97J30	.SPRING	1	
8	13251-97J00	.GASKET	1	
9	13245-97J00	.CHAMBER, FLOAT	1	
10	13249-97J00	.GASKET	1	
11	13247-97J00	.SCREW	1	
12	13268-97J10	.SPRING	1	
13	13616-97J00	.SCREW	1	
14	13267-97J00	.SCREW	4	
15-1	09492-32011	.JET, PILOT (32)	1	
15-2	09492-34004	.JET, PILOT (34)	1	
15-3	09492-36L01	.JET, PILOT (36)	1	
16	13267-97J10	.SCREW	1	
17	09493-22L01	.JET, MAIN AIR (110)	1	
18	09493-95L01	.JET, SLOW AIR (95)	1	
19	13249-97J10	.GASKET	1	
20	13248-97J00	.PLATE	1	
21	13268-97J20	.SPRING	1	
22	13534-97J10	.SCREW	1	
23	13267-97J20	.SCREW	2	
24	13125-91J10	GASKET, CARBURETOR	2	
25	13413-91JL0	ROD, CHOKE	1	
26	13436-91J00	CONNECTOR, CHOKE ROD	1	
27	13631-91J00	KNOB, CHOKE	1	
28	01547-06857	BOLT	2	
29	08322-01067	WASHER	2	
30	09355-50105-600	HOSE (5X10X600)	1	L:600->230

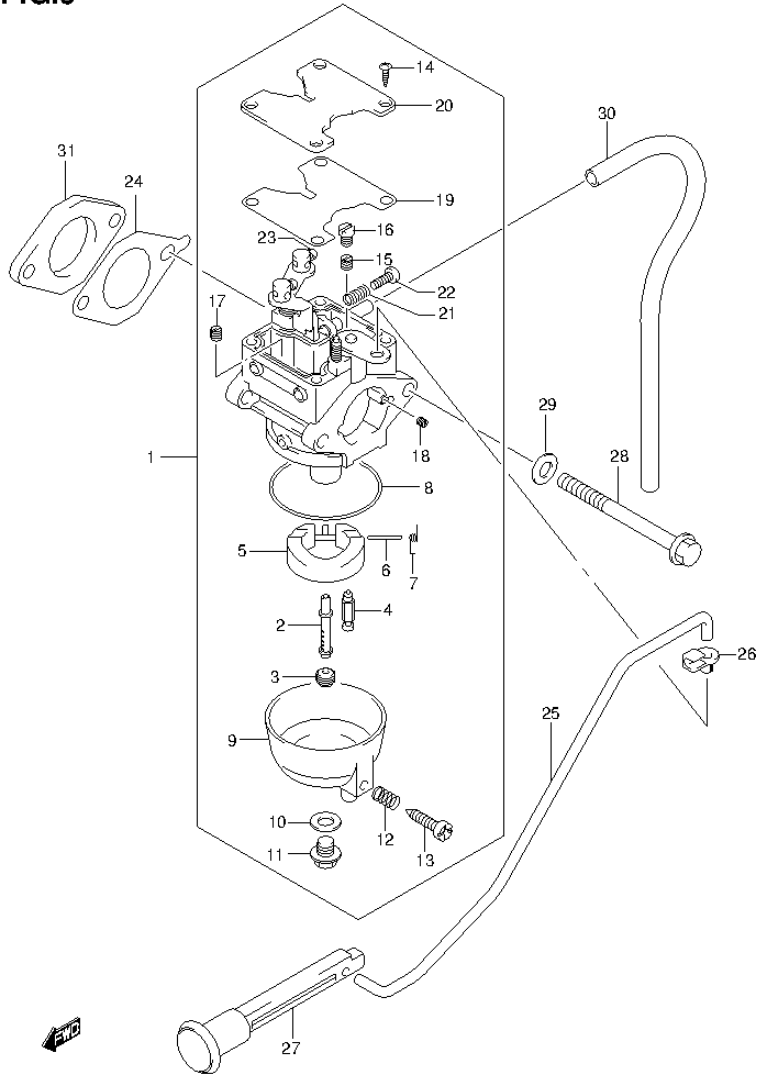


FIG.9

FIG.9 (1-B-11) CARBURETOR (DF4 P01)

REF NO.	PART NO.	DESCRIPTION	Q'TY	REMARKS
31	13124-91JL0	INSULATOR, CARBURETOR	1	

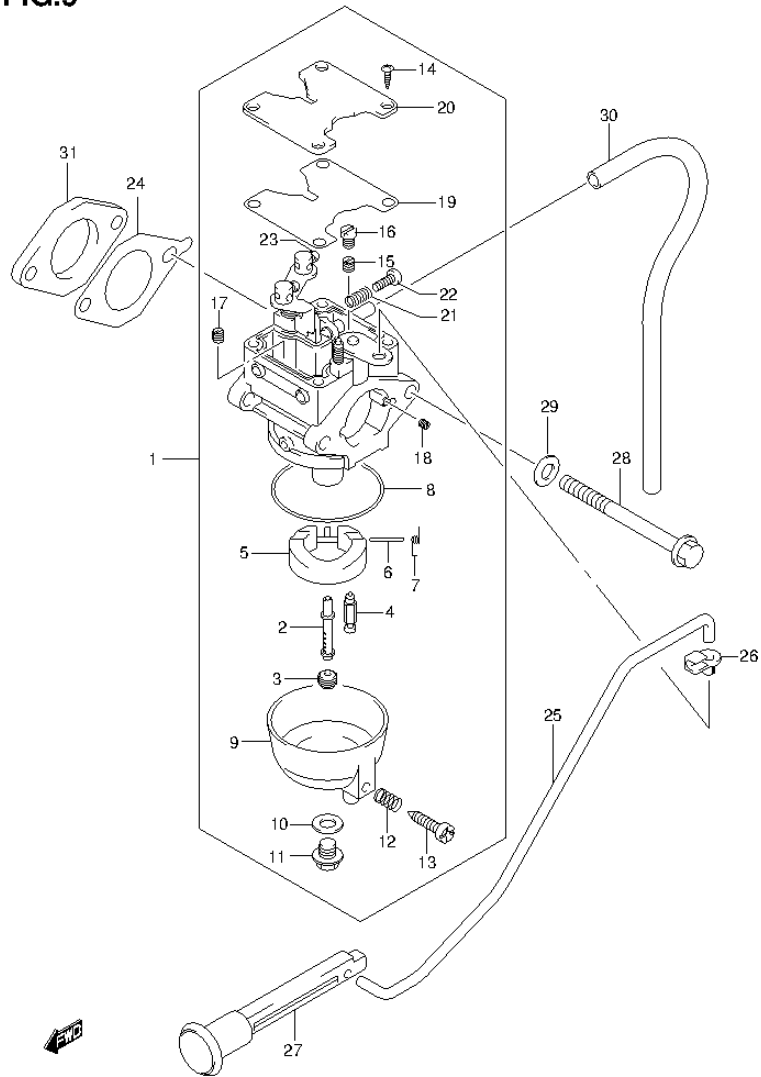


FIG.10

FIG.10 (1-B-12) CARBURETOR (DF5 P01)

REF NO.	PART NO.	DESCRIPTION	Q'TY	REMARKS
1	13200-91JR0	CARBURETOR	1	
2	13236-91J50	.NOZZLE, MAIN	1	
3-1	09491-62009	.JET, MAIN (62)	1	
3-2	09491-64003	.JET, MAIN (64)	1	
3-3	09491-66005	.JET, MAIN (66)	1	
4	13371-91J20	.VALVE, NEEDLE	1	
5	13250-97J00	.FLOAT	1	
6	13254-97J00	.PIN, FLOAT	1	
7	13268-97J30	.SPRING	1	
8	13251-97J00	.GASKET	1	
9	13245-97J00	.CHAMBER, FLOAT	1	
10	13249-97J00	.GASKET	1	
11	13247-97J00	.SCREW	1	
12	13268-97J10	.SPRING	1	
13	13616-97J00	.SCREW	1	
14	13267-97J00	.SCREW	4	
15-1	09492-30018	.JET, PILOT (30)	1	
15-2	09492-32011	.JET, PILOT (32)	1	
15-3	09492-34004	.JET, PILOT (34)	1	
16	13267-97J10	.SCREW	1	
17	09493-23L01	.JET, MAIN AIR (115)	1	
18	09493-95L01	.JET, SLOW AIR (95)	1	
19	13249-97J10	.GASKET	1	
20	13248-97J00	.PLATE	1	
21	13268-97J20	.SPRING	1	
22	13534-97J10	.SCREW	1	
23	13267-97J20	.SCREW	2	
24	13125-91J10	GASKET, CARBURETOR	2	
25	13413-91JL0	ROD, CHOKE	1	
26	13436-91J00	CONNECTOR, CHOKE ROD	1	
27	13631-91J00	KNOB, CHOKE	1	
28	01547-06857	BOLT	2	
29	08322-01067	WASHER	2	
30	09355-50105-600	HOSE (5X10X600)	1	L:600->230

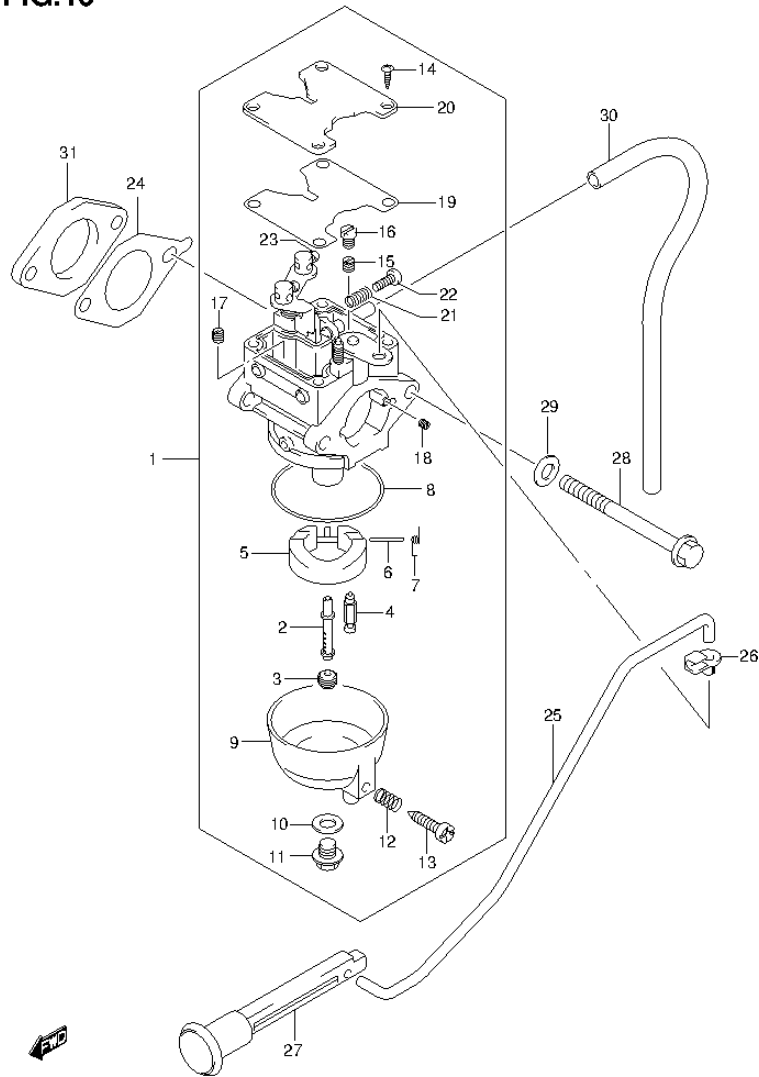


FIG.10

FIG.10 (1-B-13) CARBURETOR (DF5 P01)

REF NO.	PART NO.	DESCRIPTION	Q'TY	REMARKS
31	13124-91JL0	INSULATOR, CARBURETOR	1	

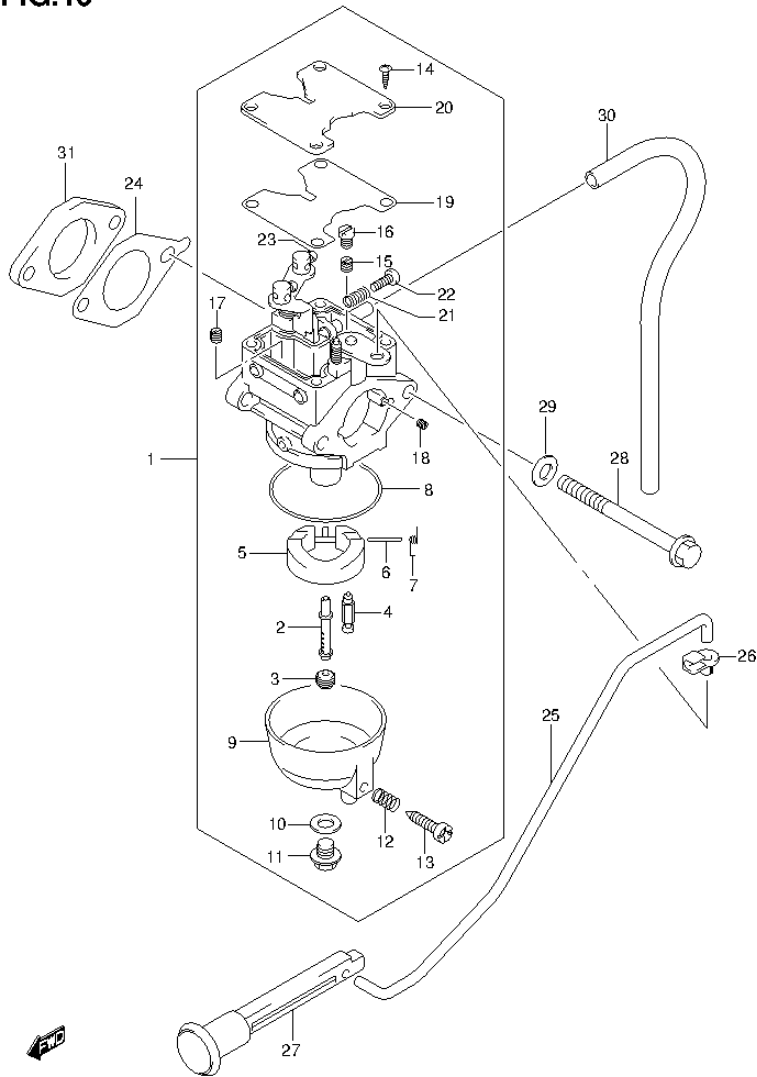


FIG.11

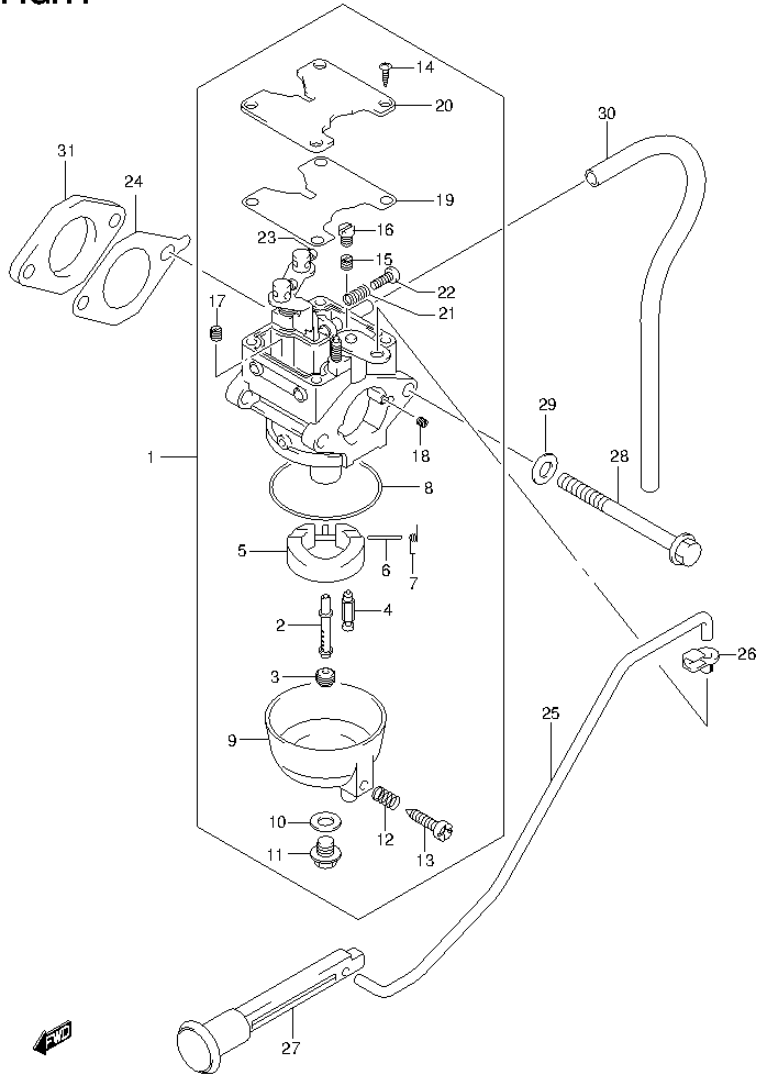


FIG.11 (1-B-14) CARBURETOR (DF6 P01)

REF NO.	PART NO.	DESCRIPTION	Q'TY	REMARKS
1	13200-91JS0	CARBURETOR	1	
2	13236-91J40	.NOZZLE, MAIN	1	
3-1	09491-68006	.JET, MAIN (68)	1	
3-2	09491-70018	.JET, MAIN (70)	1	
3-3	09491-66005	.JET, MAIN (66)	1	
4	13371-91J20	.VALVE, NEEDLE	1	
5	13250-97J00	.FLOAT	1	
6	13254-97J00	.PIN, FLOAT	1	
7	13268-97J30	.SPRING	1	
8	13251-97J00	.GASKET	1	
9	13245-97J00	.CHAMBER, FLOAT	1	
10	13249-97J00	.GASKET	1	
11	13247-97J00	.SCREW	1	
12	13268-97J10	.SPRING	1	
13	13616-97J00	.SCREW	1	
14	13267-97J00	.SCREW	4	
15-1	09492-34004	.JET, PILOT (34)	1	
15-2	09492-36L01	.JET, PILOT (36)	1	
15-3	09492-38L01	.JET, PILOT (38)	1	
16	13267-97J10	.SCREW	1	
17	09493-21L01	.JET, MAIN AIR (105)	1	
18	09493-95L01	.JET, SLOW AIR (95)	1	
19	13249-97J10	.GASKET	1	
20	13248-97J00	.PLATE	1	
21	13268-97J20	.SPRING	1	
22	13534-97J10	.SCREW	1	
23	13267-97J20	.SCREW	2	
24	13125-91J10	GASKET, CARBURETOR	2	
25	13413-91JL0	ROD, CHOKE	1	
26	13436-91J00	CONNECTOR, CHOKE ROD	1	
27	13631-91J00	KNOB, CHOKE	1	
28	01547-06857	BOLT	2	
29	08322-01067	WASHER	2	
30	09355-50105-600	HOSE (5X10X600)	1	L:600->230

FIG.11

FIG.11 (1-B-15) CARBURETOR (DF6 P01)

REF NO.	PART NO.	DESCRIPTION	Q'TY	REMARKS
31	13124-91JL0	INSULATOR, CARBURETOR	1	

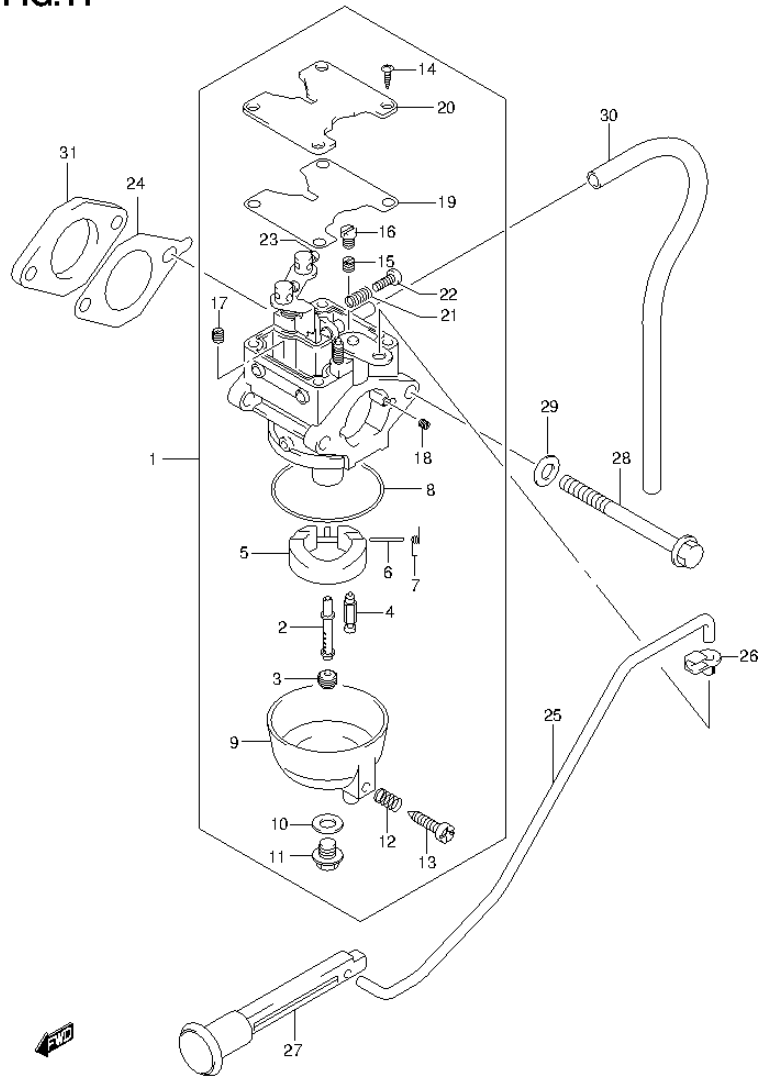


FIG.12

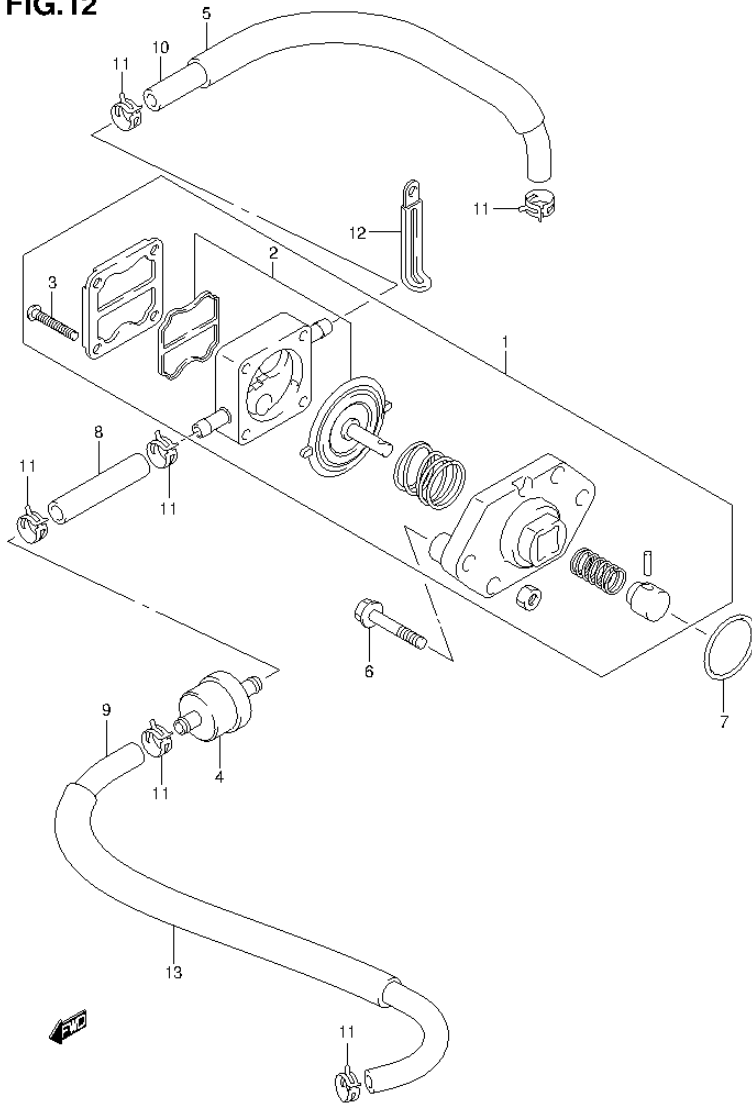


FIG.12 (1-C-2) FUEL PUMP (DF4 P01)

REF NO.	PART NO.	DESCRIPTION	Q'TY	REMARKS
1	15100-91J02	PUMP ASSY, FUEL	1	
2	15170-91J01	.DIAPHRAGM SET	1	
3	15251-91J00	.SCREW	4	
4	15410-98500	FILTER	1	
5	18498-91J20	PROTECTOR (L:130)	1	
6	01550-06307	BOLT	2	
7	09280-27006	O RING (D:2, ID:27.5)	1	
8	09343-50L01-040	HOSE	1	
9	15191-91JM0	HOSE, FUEL (TANK TO FILTER)	1	
10	09343-50L01-300	HOSE	1	
11	09401-09404	CLIP	6	
12	29404-93J10	CLAMP	1	
13	18498-99J00	PROTECTOR (L:100)	1	

FIG.13

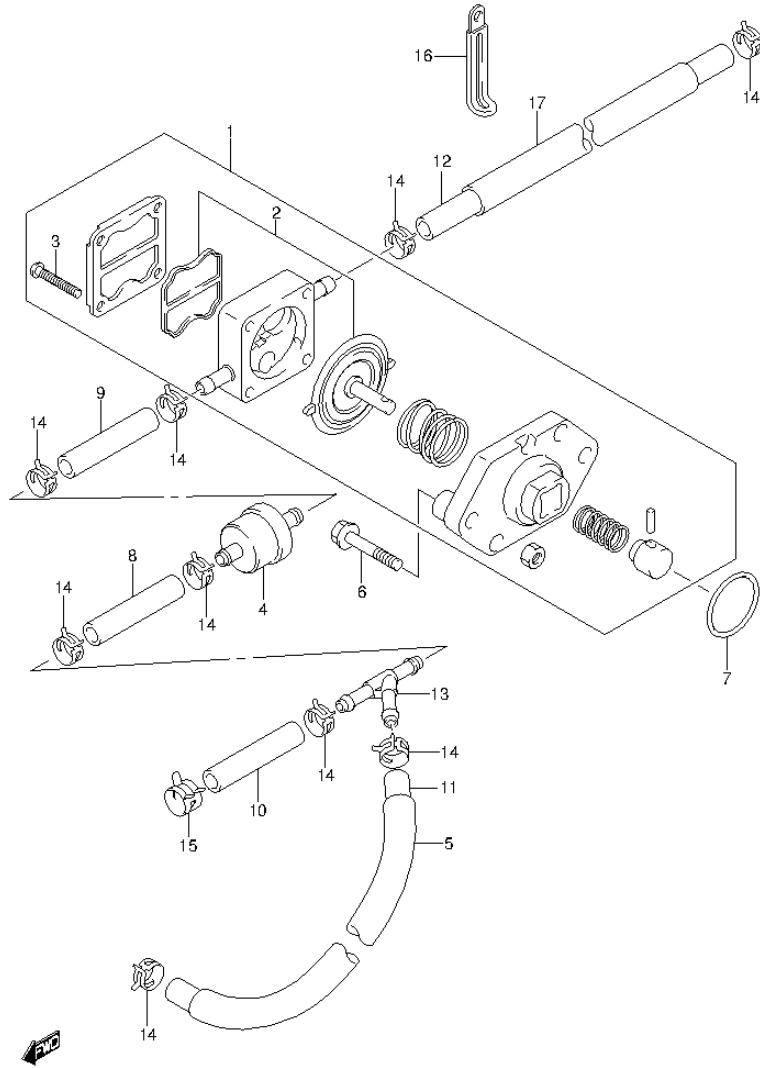


FIG.13 (1-C-3) FUEL PUMP (DF5 P01)

REF NO.	PART NO.	DESCRIPTION	Q'TY	REMARKS
1	15100-91J02	PUMP ASSY, FUEL	1	
2	15170-91J01	.DIAPHRAGM SET	1	
3	15251-91J00	.SCREW	4	
4	15410-98500	FILTER, FUEL	1	
5	18498-99J00	PROTECTOR (L:100)	1	
6	01550-06307	BOLT	2	
7	09280-27006	O RING (D:2, ID:27.5)	1	
8	09343-50L01-040	HOSE	1	
9	09343-50L01-040	HOSE	1	
10	15192-91JL0	HOSE, FUEL (CONN TO ELB)	1	
11	15191-91JL0	HOSE, FUEL (TANK TO FILTER)	1	
12	09343-50L01-300	HOSE	1	
13	09367-06007	3 WAY	1	
14	09401-09404	CLIP	9	
15	09401-11422	CLIP	1	
16	29404-93J10	CLAMP	1	
17	18498-91J20	PROTECTOR (L:130)	1	

FIG.14

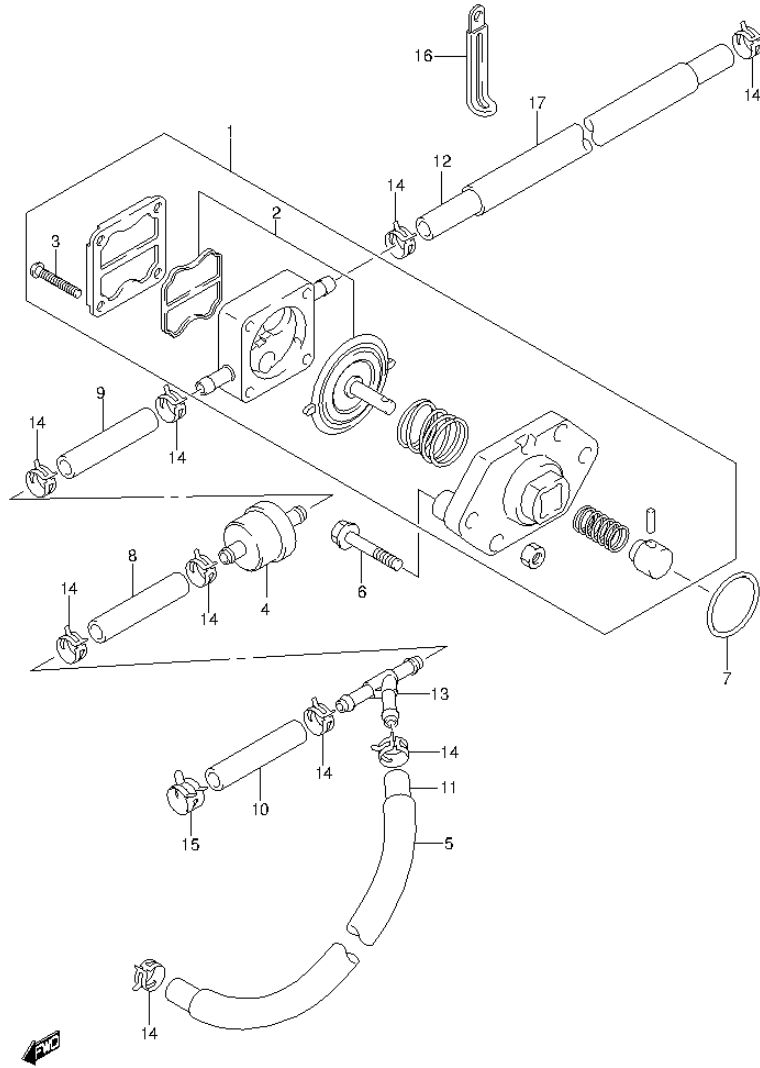


FIG.14 (1-C-4) FUEL PUMP (DF6 P01)

REF NO.	PART NO.	DESCRIPTION	Q'TY	REMARKS
1	15100-91J02	PUMP ASSY, FUEL	1	
2	15170-91J01	.DIAPHRAGM SET	1	
3	15251-91J00	.SCREW	4	
4	15410-98500	FILTER, FUEL	1	
5	18498-99J00	PROTECTOR (L:100)	1	
6	01550-06307	BOLT	2	
7	09280-27006	O RING (D:2, ID:27.5)	1	
8	09343-50L01-040	HOSE	1	
9	09343-50L01-040	HOSE	1	
10	15192-91JL0	HOSE, FUEL (CONN TO ELB)	1	
11	15191-91JL0	HOSE, FUEL (TANK TO FILTER)	1	
12	09343-50L01-300	HOSE	1	
13	09367-06007	3 WAY	1	
14	09401-09404	CLIP	9	
15	09401-11422	CLIP	1	
16	29404-93J10	CLAMP	1	
17	18498-91J20	PROTECTOR (L:130)	1	

FIG.15

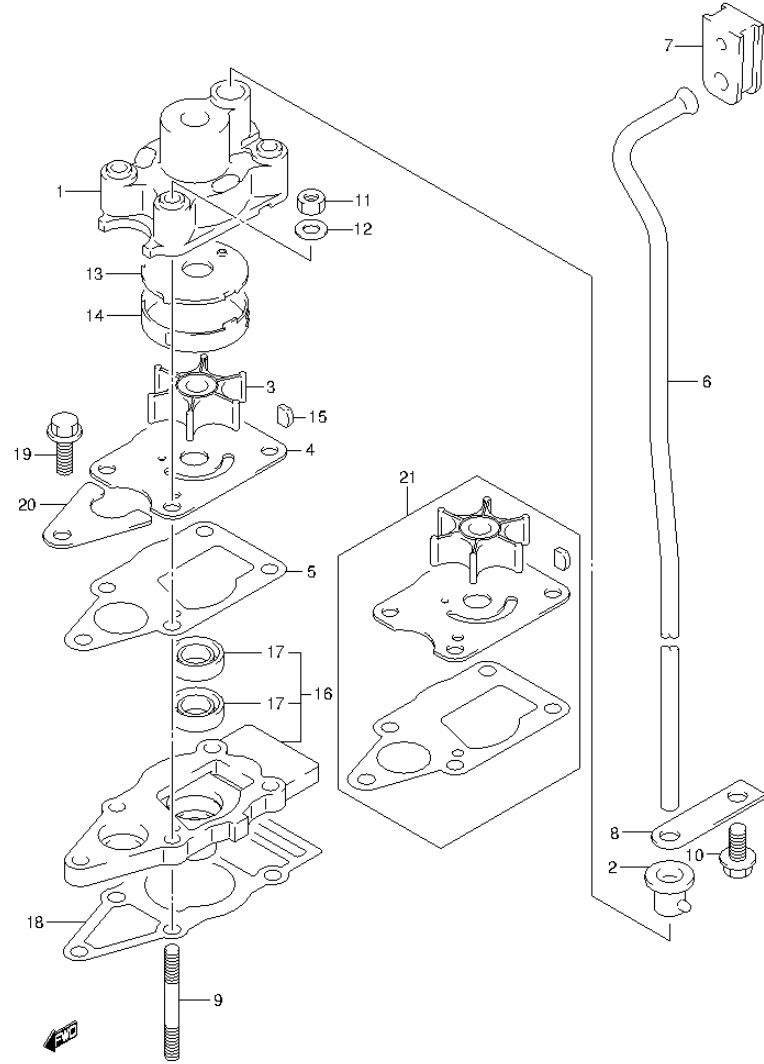


FIG.15 (1-C-5) WATER PUMP

REF NO.	PART NO.	DESCRIPTION	Q'TY	REMARKS
1	17410-91JL0	CASE ASSY, WATER PUMP	1	
2	17415-98501	GROMMET, WATER PUMP CASE	1	
3	17461-985M0	IMPELLER, WATER PUMP	1	
4	17471-98610	PANEL, PUMP CASE UNDER	1	
5	17472-91J00	GASKET, PUMP CASE PANEL	1	
6-1	17561-91JN0	TUBE, WATER (S)	1	W/TRANSOM(S)
6-2	17561-91JP0	TUBE, WATER (L)	1	W/TRANSOM(L)
7	17563-91J01	GROMMET, WATER TUBE UPPER	1	
8	17564-98600	GUIDE, WATER TUBE	1	
9	09108-06146	STUD BOLT	4	
10	09116-06225	BOLT (6X15)	1	
11	29141-93J00	NUT	4	
12	09160-06082	WASHER (6.5X13X1.0)	4	
13	17412-91JL0	PANEL, WATER PUMP CASE UPPER	1	
14	17413-91JL0	SLEEVE, WATER PUMP CASE	1	
15	09420-03002	KEY	1	
16	56130-91J20	HOUSING ASSY, DRIVE SHAFT BRG	1	
17	09282-10008	.OIL SEAL (10X21X4.5)	2	
18	56132-91J00	GASKET, DRIVE SHAFT HOUSING	1	
19	09116-06229	BOLT (6X25)	1	
20	25215-98601	STOPPER, SHIFT ROD GUIDE	1	
21	17400-98661	KIT, WATER PUMP REPAIR	1	OPT

FIG.16

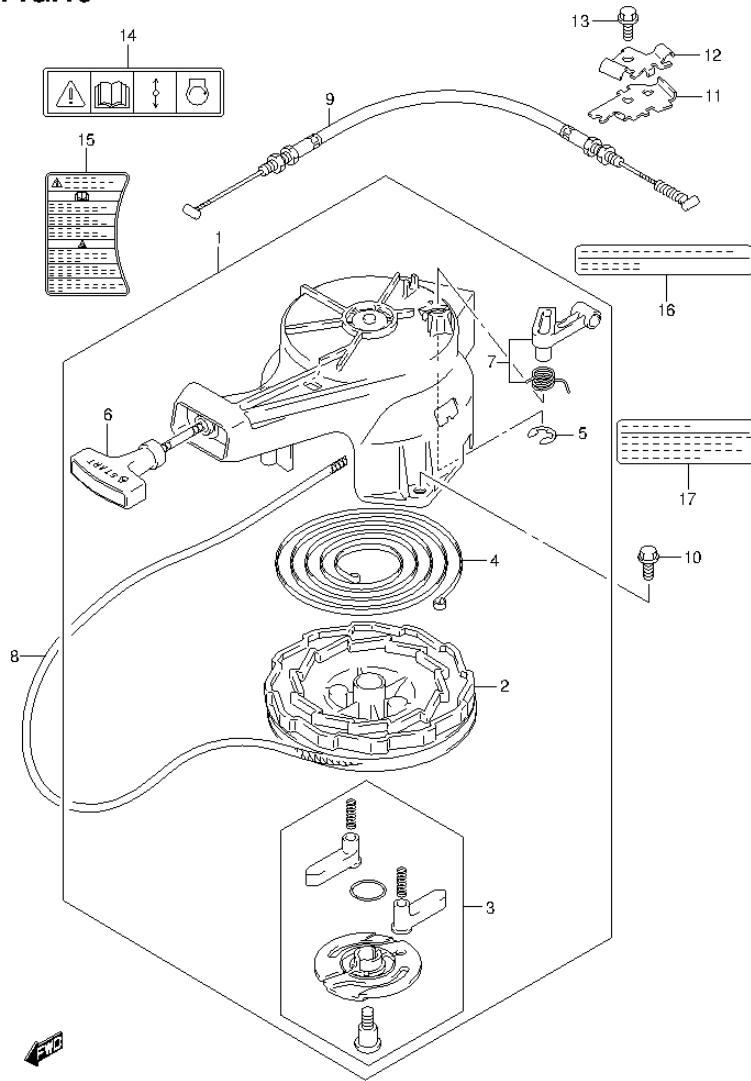


FIG.16 (1-C-6) RECOIL STARTER

REF NO.	PART NO.	DESCRIPTION	Q'TY	REMARKS
1	18100-91JL2	STARTER ASSY, RECOIL	1	
2	18120-91JL0	.REEL	1	
3	18130-98130	.RATCHET SET	1	
4	18142-92920	.SPRING, SPIRAL	1	
5	18178-98310	.CIRCLIP	1	
6	18210-98130	.GRIP ASSY	1	
7	18280-91J00	.NSI SET	1	
8	99000-81157-50M	ROPE	1	OPT L:50000->1200
9	18290-91J01	CABLE, NSI	1	
10	01550-06207	BOLT	3	
11	19183-91JL0	HOLDER, THROTTLE CABLE LOWER	1	
12	19183-91JM0	HOLDER, THROTTLE CABLE UPPER	1	
13	01550-06167	BOLT	1	
14	69711-93E10	LABEL, S.I.G.P	1	
15	61472-91J30	LABEL, RECOIL STARTER	1	
16	61493-91J00	LABEL, CLEARANCE	1	
17	61494-91J00	LABEL, OIL	1	

FIG.17

FIG.17 (1-C-7) OIL PUMP

REF NO.	PART NO.	DESCRIPTION	Q'TY	REMARKS
1	16131-91J00	ROTOR, OIL PUMP INNER	1	
2	16132-91J00	ROTOR, OIL PUMP OUTER	1	
3	16161-91J00	PLATE, OIL PUMP ROTOR	1	
4	16171-91J00	HOLDER, OIL PUMP PLATE	1	
5	16510-91J00	FILTER ASSY	1	

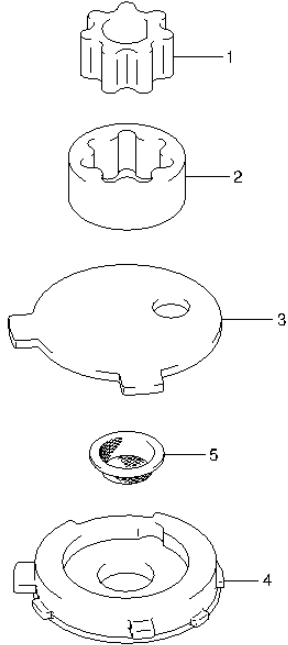


FIG.18

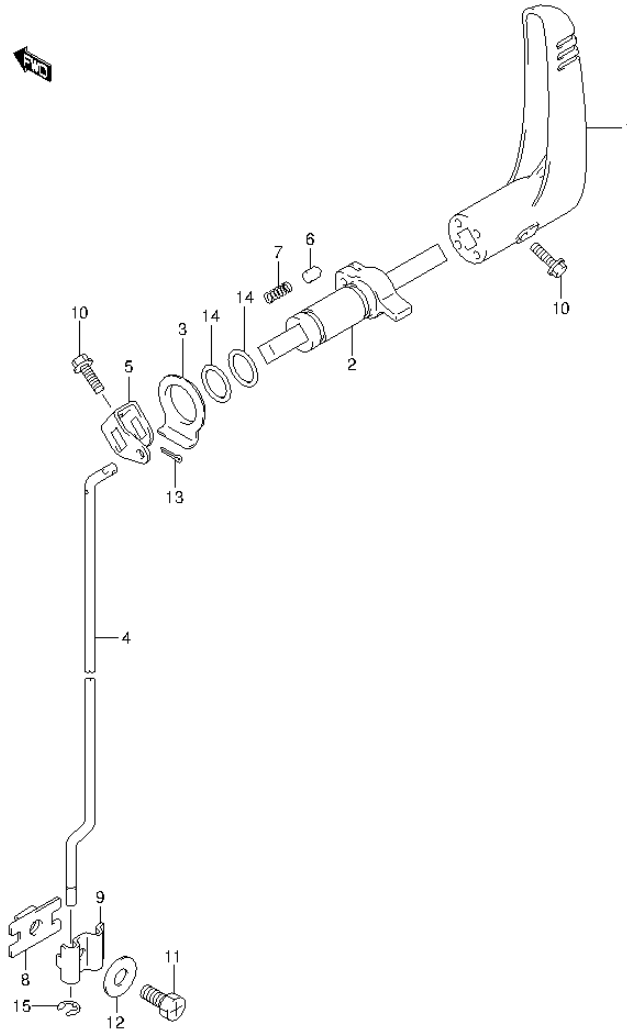


FIG.18 (1-C-8) CLUTCH LEVER

REF NO.	PART NO.	DESCRIPTION	Q'TY	REMARKS
1	21110-91JL0	LEVER, CLUTCH	1	
2	21120-91J02	PLATE, CLUTCH NOTCH	1	
3	21216-91J00	SPACER, CLUTCH SHAFT	1	
4	23111-91J01	ROD, CLUTCH	1	
5	23210-91J00	ARM, CLUTCH ROD	1	
6	23212-91J00	PIN, CLUTCH NOTCH	1	
7	23213-91J00	SPRING, CLUTCH NOTCH	1	
8	23310-91J00	CONNECTOR, CLUTCH ROD NO.1	1	
9	23321-91J00	CONNECTOR, CLUTCH ROD NO.2	1	
10	09116-06227	BOLT (6X20)	2	
11	09128-06014	BOLT (6X20)	1	
12	09160-06145	WASHER (6.2X19X3)	1	
13	09204-01002	PIN	1	
14	09280-16005	O RING (D:2.4,ID:15.8)	2	
15	09383-04002	E RING	1	

FIG.19

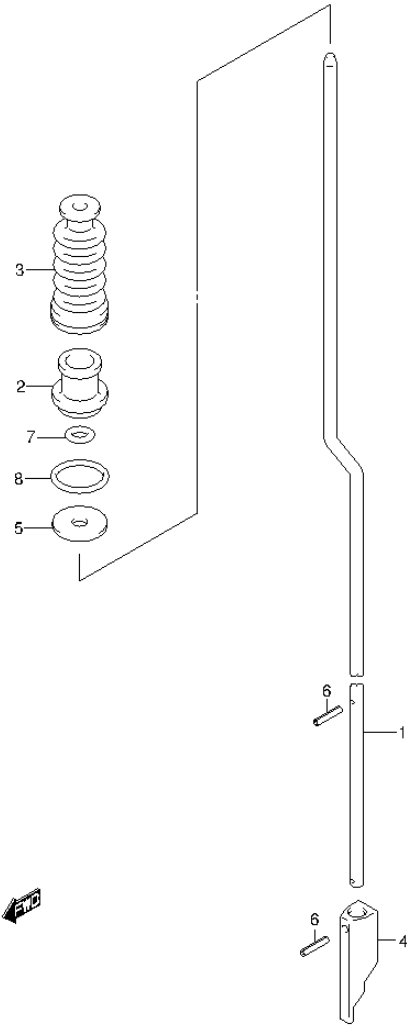
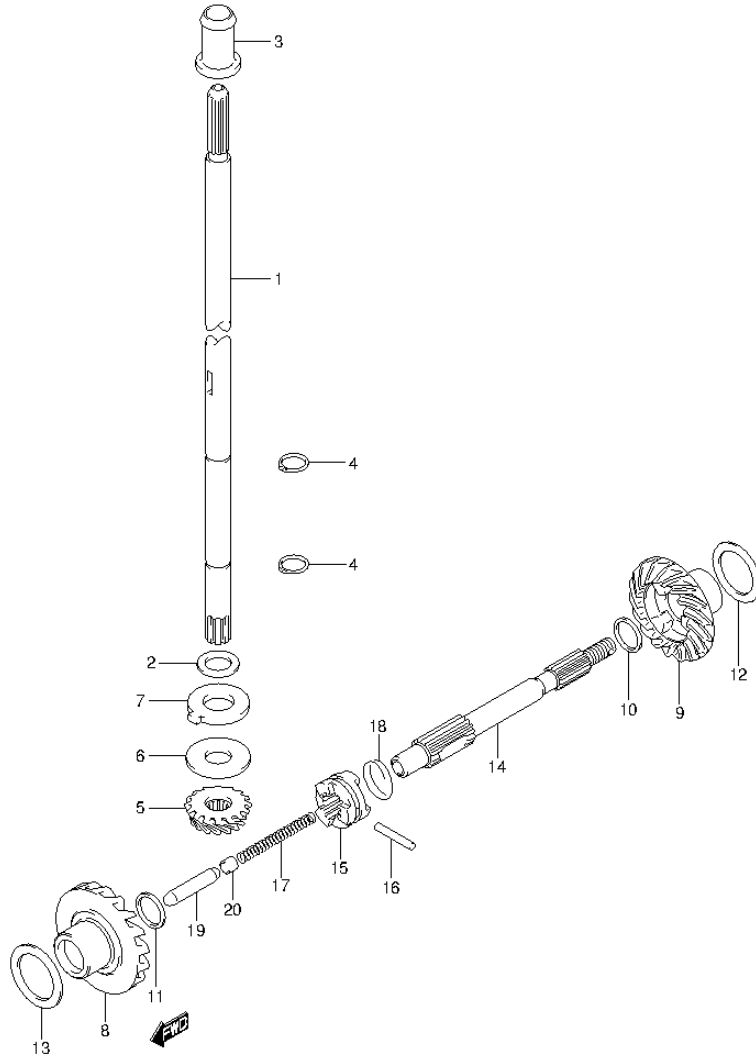


FIG.19 (1-C-9) SHIFT ROD

REF NO.	PART NO.	DESCRIPTION	Q'TY	REMARKS
1-1	25111-91J21	ROD, SHIFT (S)	1	W/TRANSOM(S)
1-2	25111-91J31	ROD, SHIFT (L)	1	W/TRANSOM(L)
2	25211-98601	GUIDE, SHIFT ROD	1	
3	25222-91JL0	BOOT, SHIFT ROD	1	
4	25311-91J01	CAM, SHIFT ROD	1	
5	09160-05501	WASHER (5.5X20X1.2)	1	
6	09205-02004	SPRING PIN (2.5X12)	2	
7	09280-05008	O RING (D:2.9,ID:4.8)	1	
8	09280-15007	O RING (D:2.4,ID:15.8)	1	

FIG.20



DF4_5_6_P01_014_020
DRIVE SHAFT

FIG.20 (1-C-10) DRIVE SHAFT

REF NO.	PART NO.	DESCRIPTION	Q'TY	REMARKS
1-1	57111-91J21	SHAFT, DRIVE (S)	1	W/TRANSOM(S)
1-2	57111-91J31	SHAFT, DRIVE (L)	1	W/TRANSOM(L)
2	09181-10156	SHIM (10X16X1.5)	1	
3	57130-91J00	BUSH, DRIVE SHAFT	1	W/TRANSOM(L)
4	09380-10003	CIRCLIP	2	
5	57311-91J00	PINION (NT:12)	1	
6-1	09160-10088	WASHER (10X24X1.7)	1	PINION ADJ
6-2	09160-10089	WASHER (10X24X1.8)	1	PINION ADJ
6-3	09160-10090	WASHER (10X24X1.9)	1	PINION ADJ
6-4	09160-10091	WASHER (10X24X2)	1	PINION ADJ
6-5	09160-10092	WASHER (10X24X2.1)	1	PINION ADJ
7	09166-12L01	WASHER	1	
8	57510-91J00	GEAR, FORWARD (NT:23)	1	
9	57521-91J00	GEAR, REVERSE (NT:23)	1	
10-1	09181-12008	SHIM (12X16X0.6)	1	PROP SFT REV
10-2	09160-12070	WASHER (12X16X0.8)	1	PROP SFT REV
10-3	09181-12111	SHIM (12X16X1)	1	PROP SFT REV
11	09181-12111	SHIM (12X16X1)	1	PROP SFT FWD
12-1	09181-20159	SHIM (20X28X0.6)	1	REV GEAR
12-2	09181-20160	SHIM (20X28X0.7)	1	REV GEAR
12-3	09181-20162	SHIM (20X28X0.8)	1	REV GEAR
12-4	09181-20164	SHIM (20X28X0.9)	1	REV GEAR
12-5	09181-20167	SHIM (20X28X1)	1	REV GEAR
13-1	09181-20162	SHIM (20X28X0.8)	1	FWD GEAR
13-2	09181-20164	SHIM (20X28X0.9)	1	FWD GEAR
13-3	09181-20167	SHIM (20X28X1)	1	FWD GEAR
13-4	09181-20172	SHIM (20X28X1.1)	1	FWD GEAR
13-5	09181-20176	SHIM (20X28X1.2)	1	FWD GEAR
14	57611-91J10	SHAFT, PROPELLER	1	
15	57621-986L0	SHIFTER, CLUTCH DOG	1	
16	09202-04016	PIN	1	
17	09440-05039	SPRING	1	
18	09440-24007	SPRING	1	
19	57631-98601	ROD, PUSH	1	

DF4_5_6_P01_014

FIG.20

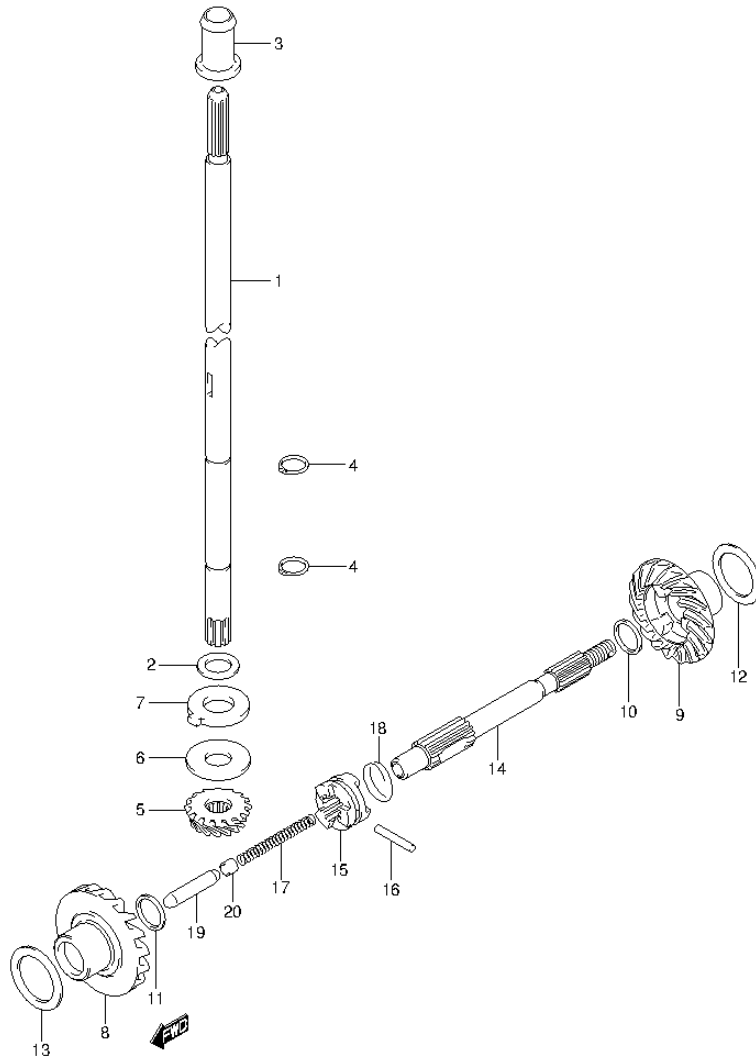


FIG.20 (1-C-11) DRIVE SHAFT

REF NO.	PART NO.	DESCRIPTION	Q'TY	REMARKS
20	57632-98501	PIN, PUSH	1	

FIG.21

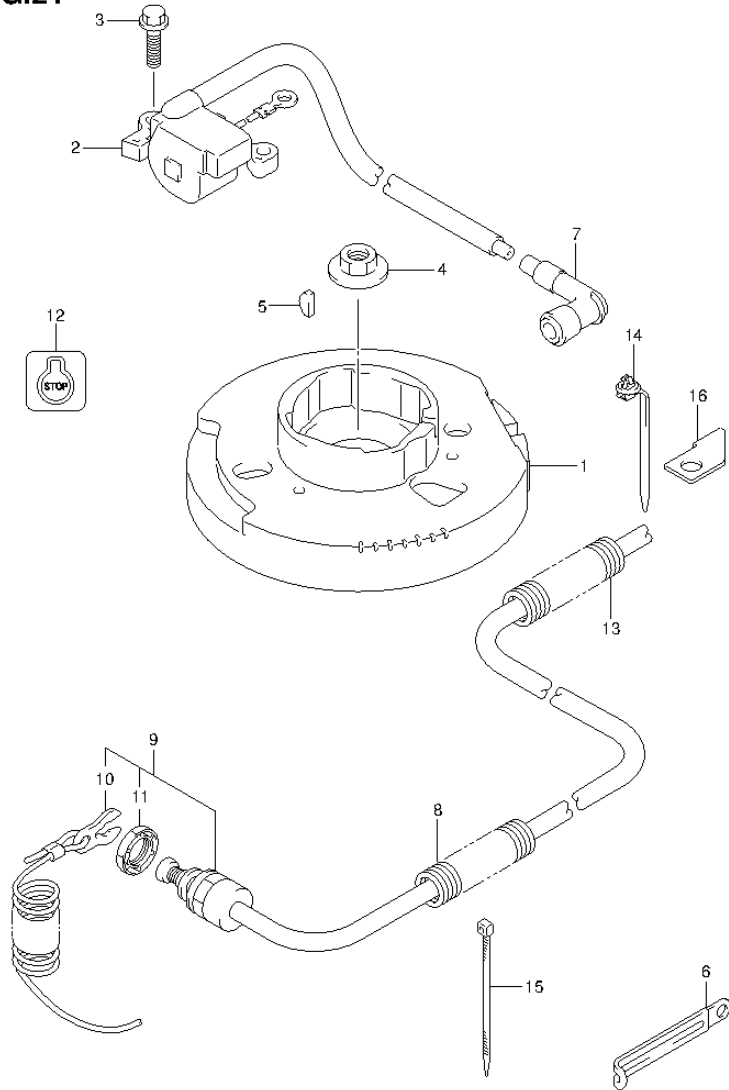


FIG.21 (1-C-12) MAGNETO

REF NO.	PART NO.	DESCRIPTION	Q'TY	REMARKS
1	32102-91J20	FLYWHEEL	1	
2	33410-91J40	UNIT, IGNITER	1	
3	01550-06207	BOLT	2	
4	09159-12059	NUT	1	
5	08341-31039	KEY	1	
6	29404-93J20	CLAMP (L:80)	1	
7	33500-07H00	CAP, SPARK PLUG	1	
8	33833-91J20	TUBE, SW LEAD (L:150)	1	
9	37830-91J20	SWITCH, EMERGENCY	1	
10	37823-97J00	.PLATE, LOCK	1	
11	37826-97J00	.NUT	1	
12	37835-95D00	LABEL, STOP	1	
13	33833-91J10	TUBE, SW LEAD (L:400)	1	
14	36991-91J00	CLAMP, EMER SW LEAD	1	
15	09407-10404	CLAMP (L:100)	1	
16	36617-91J00	BRACKET, EMER SW LEAD	1	

FIG.22

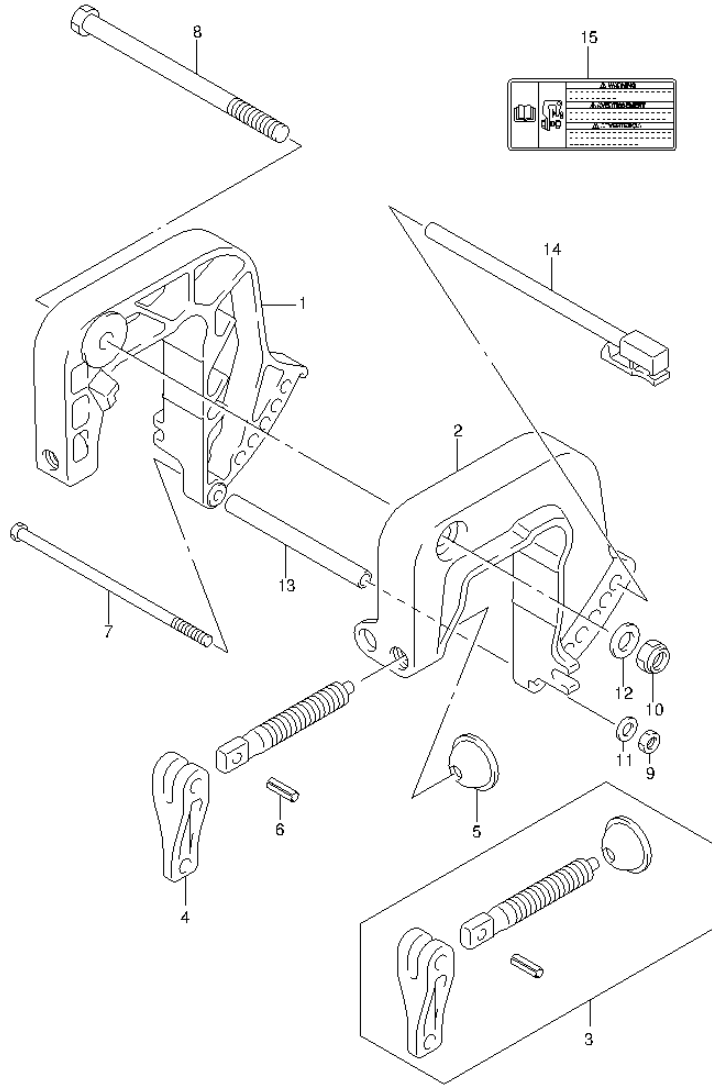


FIG.22 (1-C-13) CLAMP BRACKET

REF NO.	PART NO.	DESCRIPTION	Q'TY	REMARKS
1	41111-91J20-0EP	BRACKET, CLAMP STBD (BLACK)	1	
2	41121-91J20-0EP	BRACKET, CLAMP PORT (BLACK)	1	
3	41210-986L1	SCREW, ASSY CLAMP	1	OPT
4	41212-91J00	HANDLE, CLAMP	2	
5	41213-98100	PLATE, CLAMP	2	
6	09205-06007	SPRING PIN (6X25)	2	
7	09100-06177	BOLT (6X140)	1	
8	09100-10321	BOLT (10X150)	1	
9	29141-93J00	NUT	1	
10	09159-10050	NUT	1	
11	09160-06082	WASHER (6.5X13X1.0)	1	
12	09160-10082	WASHER (10.5X19X2)	1	
13	09180-06357	SPACER (6.5X10.5X104)	1	
14	45420-92DL0	PIN, TILT LOCK	1	
15	69911-91J40	MARK, CLAMP BRACKET	1	

FIG.23

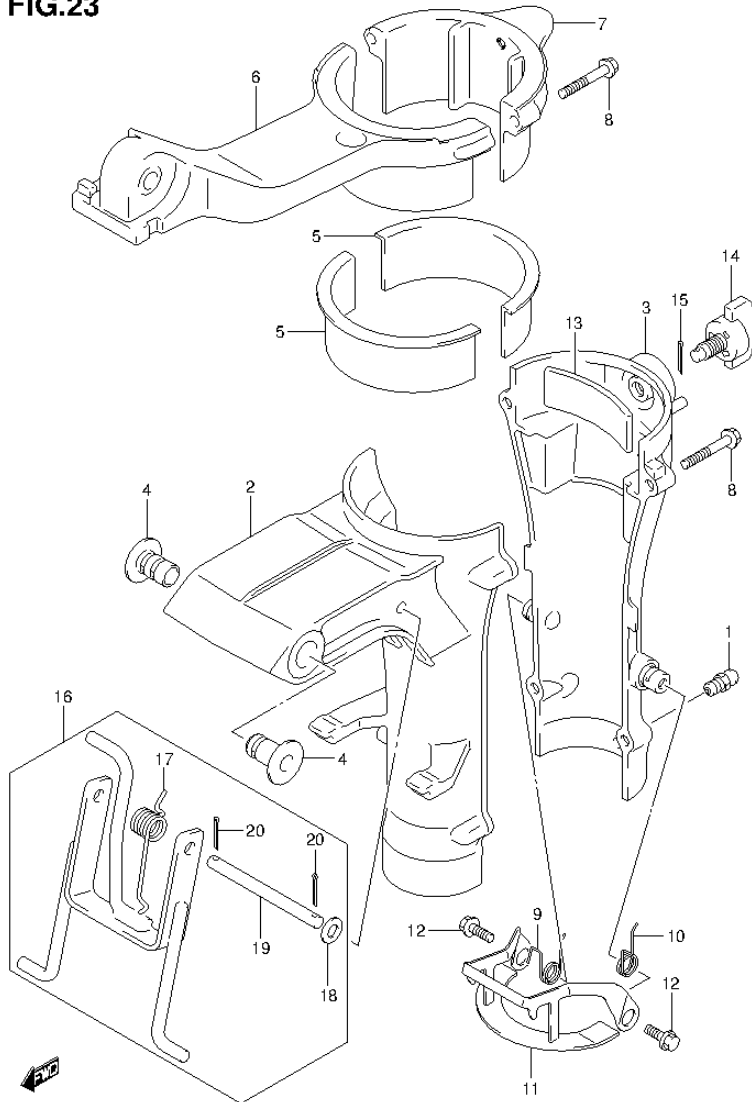


FIG.23 (1-C-14) SWIVEL BRACKET

REF NO.	PART NO.	DESCRIPTION	Q'TY	REMARKS
1	22511-99011	NIPPLE, GREASE	1	
2	43111-91J20-0EP	BRACKET, SWIVEL (BLACK)	1	
3	43121-91J31-0EP	COVER, SWIVEL BRACKET (BLACK)	1	
4	43211-91J00	BUSH, CLAMP BRKT BOLT	2	
5	43711-91J01	BUSH, STEERING UPPER	2	
6	43751-91J20-0EP	BRACKET, STEERING (BLACK)	1	
7	43752-91J20-0EP	COVER, STEERING BRKT (BLACK)	1	
8	09116-06099	BOLT (6X35)	6	
9	45211-98602	SPRING, REVERSE LOCK ARM STBD	1	
10	45212-98602	SPRING, REVERSE LOCK ARM PORT	1	
11	45230-91JL0	ARM, REVERSE LOCK	1	
12	09116-06094	BOLT (6X15)	2	
13	43411-91J10	ADJUSTER, STEERING	1	
14	43410-91J20	KNOB, STEERING ADJUSTER	1	
15	09204-01002	PIN	1	
16	45700-91JL0	ARM ASSY, SHALLOW WATER DRIVE	1	
17	45722-91J00	.SPRING, SHALLOW WATER DRIVE	1	
18	09160-08082	.WASHER (8.5X16X1.2)	1	
19	09200-08045	.PIN	1	
20	09204-01002	.PIN	2	

FIG.24

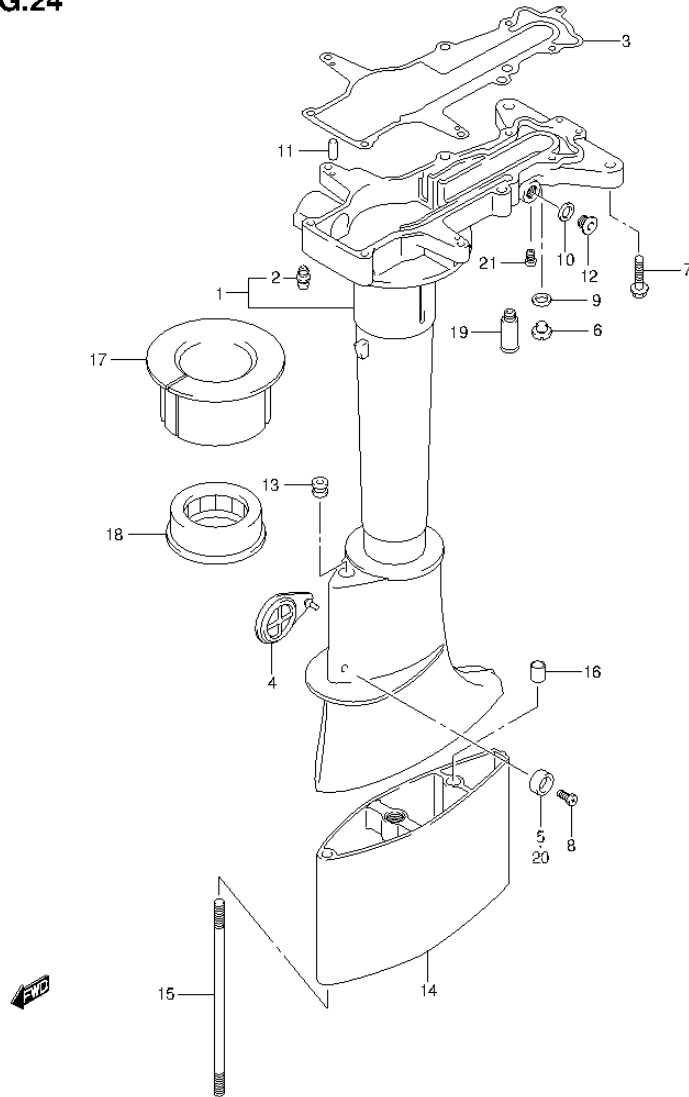


FIG.24 (1-C-15) DRIVE SHAFT HOUSING

REF NO.	PART NO.	DESCRIPTION	Q'TY	REMARKS
1	52110-91J00-0EP	HOUSING, DRIVE SHAFT (BLACK)	1	
2	22511-99011	.NIPPLE, GREASE	1	
3	52113-91J01	GASKET, DRIVE SHAFT HSG	1	
4	52115-98600	COVER, CLUTCH ADJUST HOLE	1	
5	55321-87J00	ANODE, PROTECTION	1	
6	09248-10008	PLUG (10X7.5)	1	
7	09116-06189	BOLT (6X38)	9	
8	09103-06281	BOLT (6X14)	1	
9	09168-10022	GASKET (10X17X1.5)	1	
10	09168-12017	GASKET (12X17X1)	1	
11	09202-06015	KNOCK PIN (L:20)	2	
12	09248-12007	PLUG (12X9)	1	
13	09320-04010	BUSH	1	
14	52131-91J20-0EP	CASE, EXTENSION (BLACK)	1	W/TRANSOM(L)
15	09108-08092	STUD BOLT	2	W/TRANSOM(L)
16	09206-11006	PIN (8.4X11X8)	1	W/TRANSOM(L)
17	54132-91J10	RUBBER, MOUNT UPPER	1	
18	54162-91J00	RUBBER, MOUNT LOWER	1	
19	55181-95200	ATTACHMENT, FLUSH HOSE	1	OPT
20	55321-87J10	ANODE (MAGNESIUM)	1	OPT
21	52117-92D00	TUBE, WATER INSPECTION	1	

FIG.25

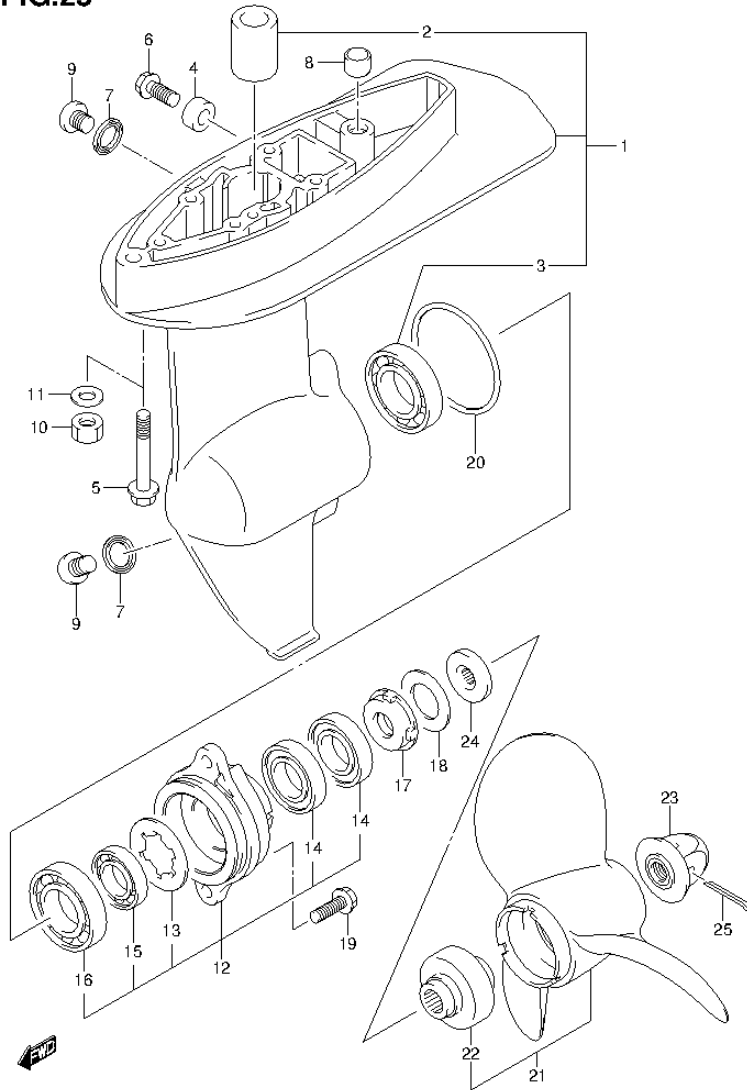


FIG.25 (1-D-2) GEAR CASE

REF NO.	PART NO.	DESCRIPTION	Q'TY	REMARKS
1	55100-91J30-0EP	CASE ASSY, GEAR (BLACK)	1	
2	59311-91J00	.BUSH	1	
3	09262-20106	.BEARING (20X42X12)	1	
4	55321-87J00	ANODE, PROTECTION	1	
5	09116-08156	BOLT (8X50)	2	W/TRANSOM(S)
6	09103-06281	BOLT (6X14)	1	
7	09168-10022	GASKET (10X17X1.5)	2	
8	09206-11006	PIN (8.4X11X8)	1	
9	09248-10008	PLUG (10X7.5)	2	
10	09140-08023-XC0	NUT	2	W/TRANSOM(L)
11	09160-08082	WASHER (8.5X16X1.2)	2	W/TRANSOM(L)
12	56120-91JM0-0EP	HOUSING, PROP SFT BRG (BLACK)	1	
13	09167-23001	.WASHER	1	
14	09282-12L05	.OIL SEAL (12X24X4.5)	2	
15	09262-12001	.BEARING (12X28X8)	1	
16	09262-20106	.BEARING (20X42X12)	1	
17	56122-98601	PROTECTOR, OIL SEAL	1	
18	56123-98600	WASHER, PROTECTOR	1	
19	09116-06225	BOLT (6X15)	2	
20	09280-49002	O RING (D:2.6,ID:48.7)	1	
21-1	58110-91JL0-019	PROPELLER (3X7-1/2X6) (BLACK)	1	
21-2	58110-91JM0-019	PROPELLER (3X7-1/2X6-1/2) (BLACK)	1	
21-3	58110-91JN0-019	PROPELLER (3X7-1/2X7) (BLACK)	1	
22	58120-91JL0	.BUSH, PROPELLER	1	
23	58130-91JL0	NUT, PROPELLER	1	
24	57635-91JL0	STOPPER, PROPELLER BUSH	1	
25	09204-03003	COTTER PIN (D:3.6,L:25)	1	

FIG.26

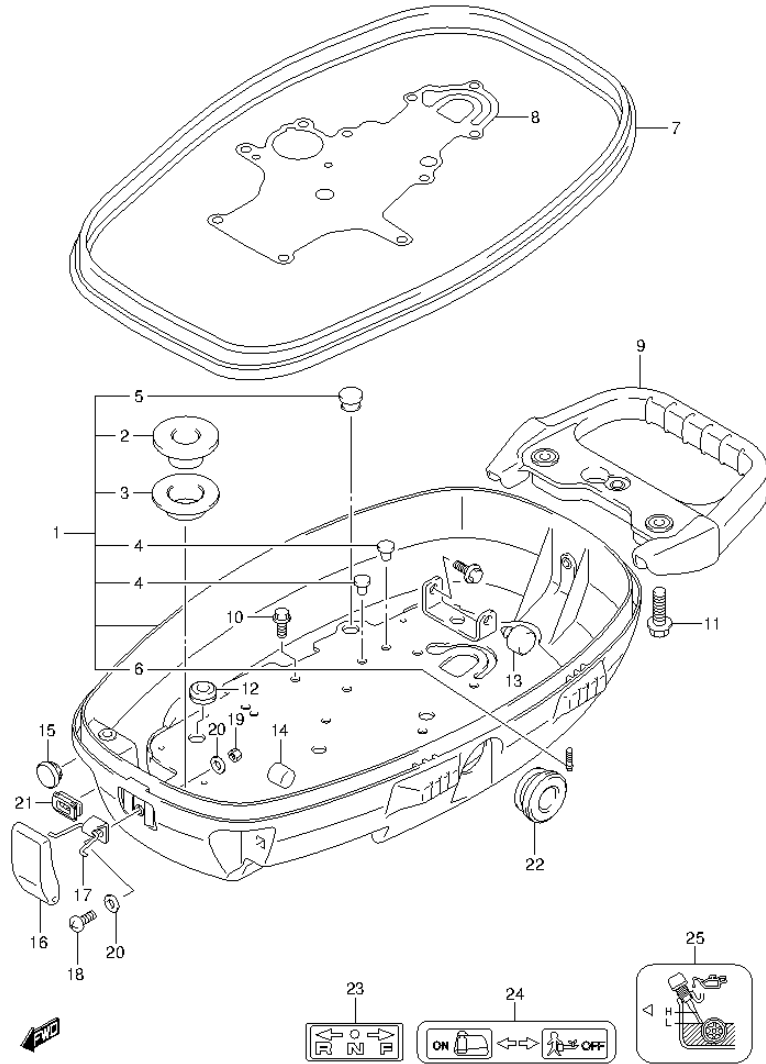


FIG.26 (1-D-3) LOWER COVER (DF4 P01)

REF NO.	PART NO.	DESCRIPTION	Q'TY	REMARKS
1	61100-91JA0-OEP	COVER ASSY, LOWER (BLACK)	1	
2	65132-91J00	.CUSHION	1	
3	65197-91JL0	.HOLDER, FUEL TANK	1	
4	09250-06005	.PLUG (OD:12)	2	
5	09250-12004	.CAP (OD:17)	1	
6	61155-94400	.TUBE, AIR VENT HOSE	1	
7	61112-91J10	RUBBER, ENGINE LOWER COVER	1	
8	61126-91J01	GASKET, LOWER COVER PLATE	1	
9	61950-91J20	HANDLE, CARRYING	1	
10	09116-06225	BOLT (6X15)	2	
11	09116-08150	BOLT (8X27)	2	
12	09308-08011	GROMMET	1	
13	61151-91J11	CUSHION	1	
14	61151-91J20	CUSHION	1	
15	09250-12006	CAP (OD:20)	1	
16	61611-91J00	FASTENER, ENGINE COVER	2	
17	61640-91J10	LEVER, FASTENER	2	
18	09125-05132	SCREW (5X14)	2	
19	09140-05005	NUT	2	
20	09160-05029	WASHER (5.5X12X0.8)	4	
21	63625-96300	GROMMET, THROTTLE CABLE	1	
22	63624-91J00	GROMMET, OIL LEVEL GAUGE	1	
23	21131-96010	MARK, CLUTCH SHIFT	1	
24	61211-91J80	MARK, FUEL COCK	1	
25	61212-91J00	MARK, OIL LEVEL	1	

FIG.27

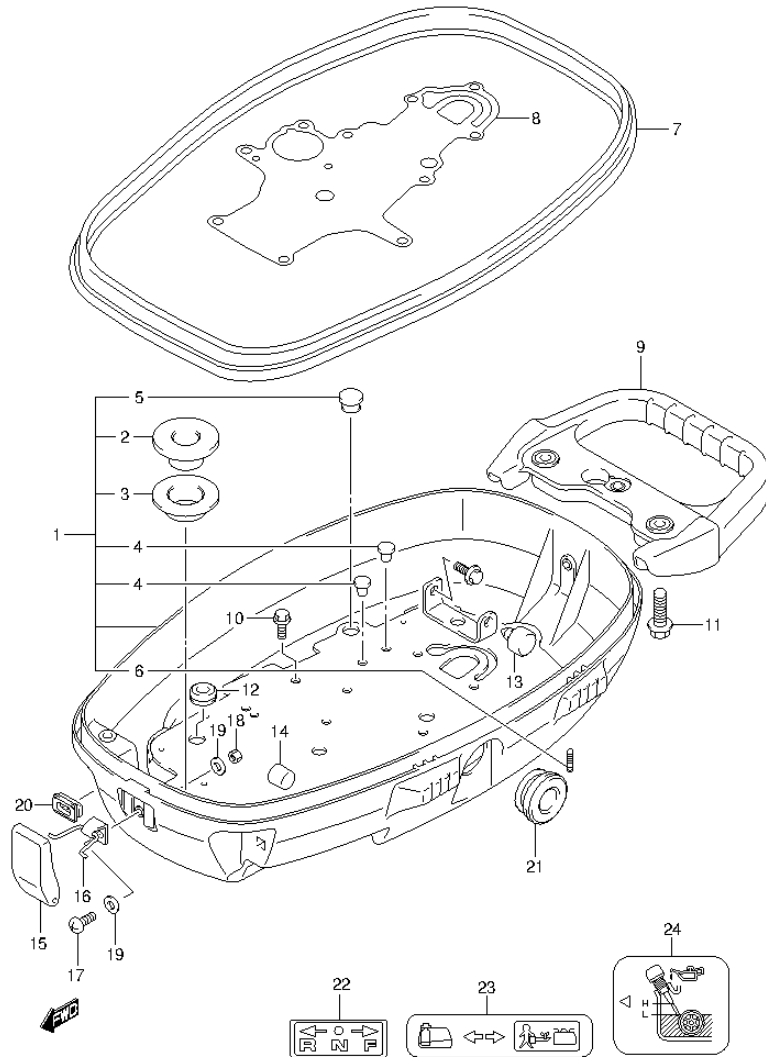
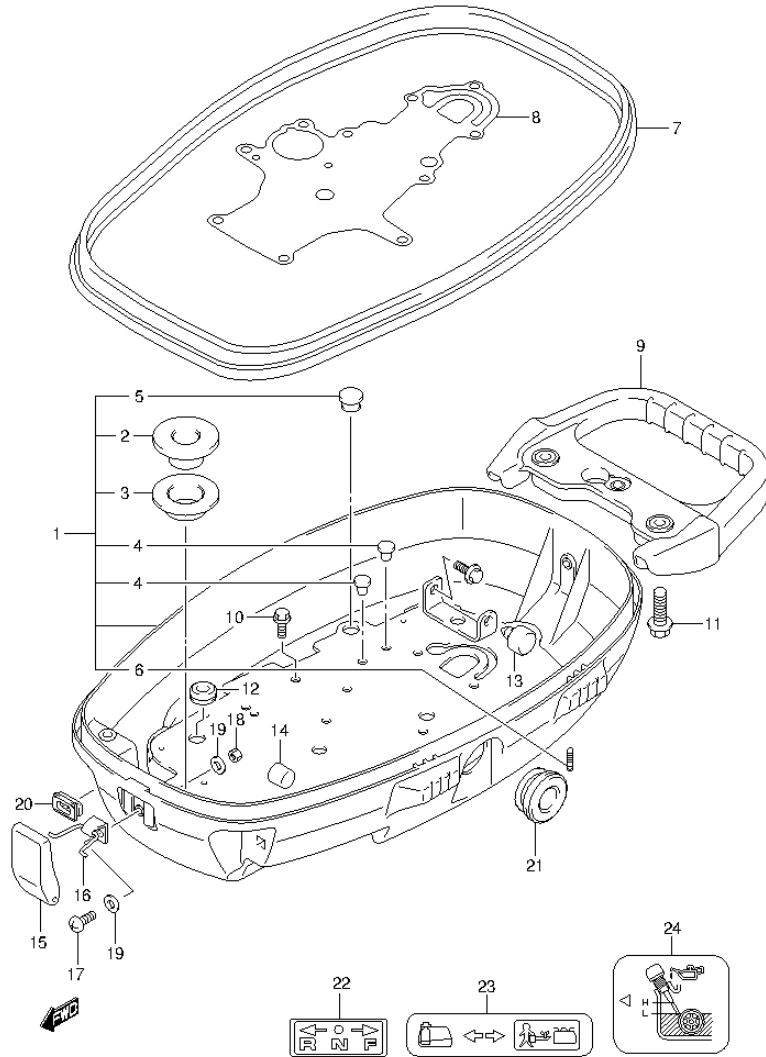


FIG.27 (1-D-4) LOWER COVER (DF5 P01)

REF NO.	PART NO.	DESCRIPTION	Q'TY	REMARKS
1	61100-91JA0-OEP	COVER ASSY, LOWER (BLACK)	1	
2	65132-91J00	.CUSHION	1	
3	65197-91JL0	.HOLDER, FUEL TANK	1	
4	09250-06005	.PLUG (OD:12)	2	
5	09250-12004	.CAP (OD:17)	1	
6	61155-94400	.TUBE, AIR VENT HOSE	1	
7	61112-91J10	RUBBER, ENGINE LOWER COVER	1	
8	61126-91J01	GASKET, LOWER COVER PLATE	1	
9	61950-91J20	HANDLE, CARRYING	1	
10	09116-06225	BOLT (6X15)	2	
11	09116-08150	BOLT (8X27)	2	
12	09308-08011	GROMMET	1	
13	61151-91J11	CUSHION	1	
14	61151-91J20	CUSHION	1	
15	61611-91J00	FASTENER, ENGINE COVER	2	
16	61640-91J10	LEVER, FASTENER	2	
17	09125-05132	SCREW (5X14)	2	
18	09140-05005	NUT	2	
19	09160-05029	WASHER (5.5X12X0.8)	4	
20	63625-96300	GROMMET, THROTTLE CABLE	1	
21	63624-91J00	GROMMET, OIL LEVEL GAUGE	1	
22	21131-96010	MARK, CLUTCH SHIFT	1	
23	61211-91J70	MARK, FUEL COCK	1	
24	61212-91J00	MARK, OIL LEVEL	1	

FIG.28



DF4_5_6_P01_014_028
LOWER COVER

FIG.28 (1-D-5) LOWER COVER (DF6 P01)

REF NO.	PART NO.	DESCRIPTION	Q'TY	REMARKS
1	61100-91JA0-OEP	COVER ASSY, LOWER (BLACK)	1	
2	65132-91J00	.CUSHION	1	
3	65197-91JL0	.HOLDER, FUEL TANK	1	
4	09250-06005	.PLUG (OD:12)	2	
5	09250-12004	.CAP (OD:17)	1	
6	61155-94400	.TUBE, AIR VENT HOSE	1	
7	61112-91J10	RUBBER, ENGINE LOWER COVER	1	
8	61126-91J01	GASKET, LOWER COVER PLATE	1	
9	61950-91J20	HANDLE, CARRYING	1	
10	09116-06225	BOLT (6X15)	2	
11	09116-08150	BOLT (8X27)	2	
12	09308-08011	GROMMET	1	
13	61151-91J11	CUSHION	1	
14	61151-91J20	CUSHION	1	
15	61611-91J00	FASTENER, ENGINE COVER	2	
16	61640-91J10	LEVER, FASTENER	2	
17	09125-05132	SCREW (5X14)	2	
18	09140-05005	NUT	2	
19	09160-05029	WASHER (5.5X12X0.8)	4	
20	63625-96300	GROMMET, THROTTLE CABLE	1	
21	63624-91J00	GROMMET, OIL LEVEL GAUGE	1	
22	21131-96010	MARK, CLUTCH SHIFT	1	
23	61211-91J70	MARK, FUEL COCK	1	
24	61212-91J00	MARK, OIL LEVEL	1	

DF4_5_6_P01_014

FIG.29

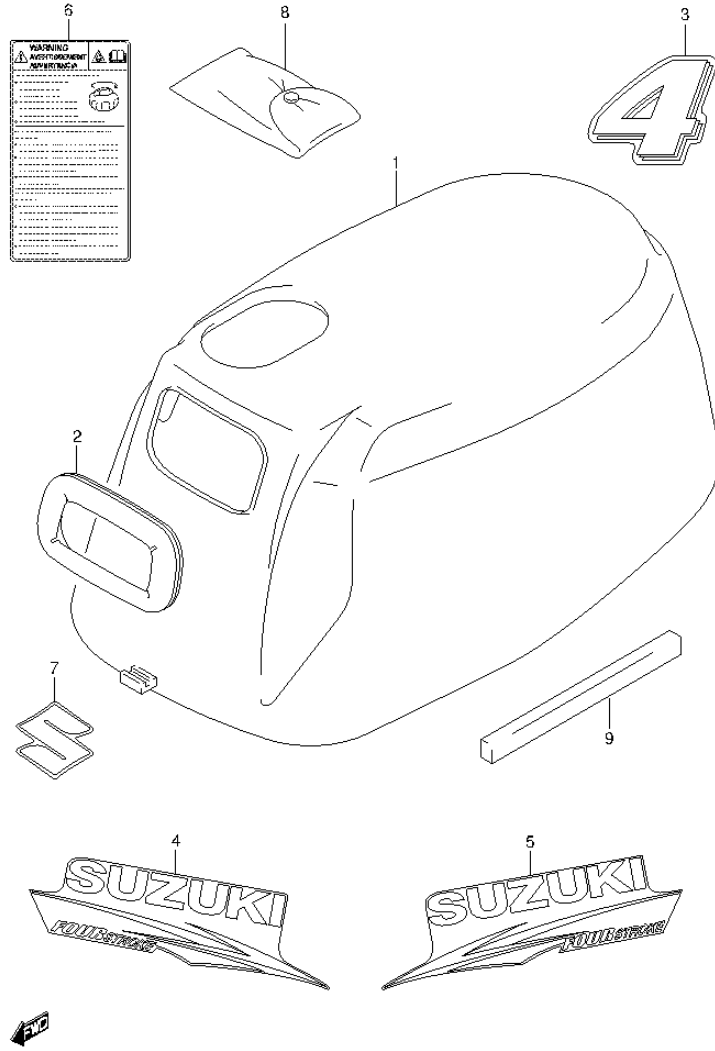


FIG.29 (1-D-6) ENGINE COVER (DF4 P01)

REF NO.	PART NO.	DESCRIPTION	Q'TY	REMARKS
1	61411-91J10-0EP	COVER, ENGINE UPPER (BLACK)	1	
2	61622-91J40	SEAL, RECOIL STARTER	1	
3	61435-91J70	MARK, EMBLEM REAR (4)	1	
4	61443-91J40	STRIPE, ENGINE COVER STBD	1	
5	61453-91J40	STRIPE, ENGINE COVER PORT	1	
6	61458-97J40	LABEL, ENGINE COVER	1	
7	68111-99J00	EMBLEM (S)	1	
8	09800-01007	TOOL ASSY	1	
9	61416-91J00	GUARD, AIR INTAKE	1	

FIG.30

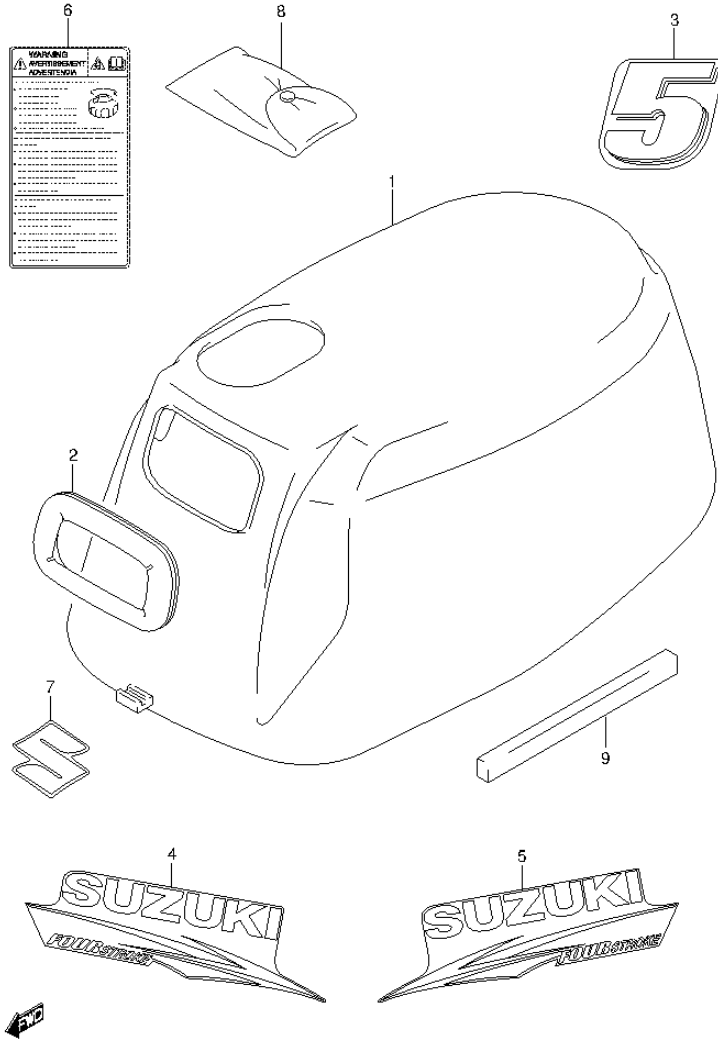


FIG.30 (1-D-7) ENGINE COVER (DF5 P01)

REF NO.	PART NO.	DESCRIPTION	Q'TY	REMARKS
1	61411-91J10-0EP	COVER, ENGINE UPPER (BLACK)	1	
2	61622-91J40	SEAL, RECOIL STARTER	1	
3	61435-91J80	MARK, EMBLEM REAR (5)	1	
4	61443-91J40	STRIPE, ENGINE COVER STBD	1	
5	61453-91J40	STRIPE, ENGINE COVER PORT	1	
6	61458-97J40	LABEL, ENGINE COVER	1	
7	68111-99J00	EMBLEM (S)	1	
8	09800-01007	TOOL ASSY	1	
9	61416-91J00	GUARD, AIR INTAKE	1	

FIG.31

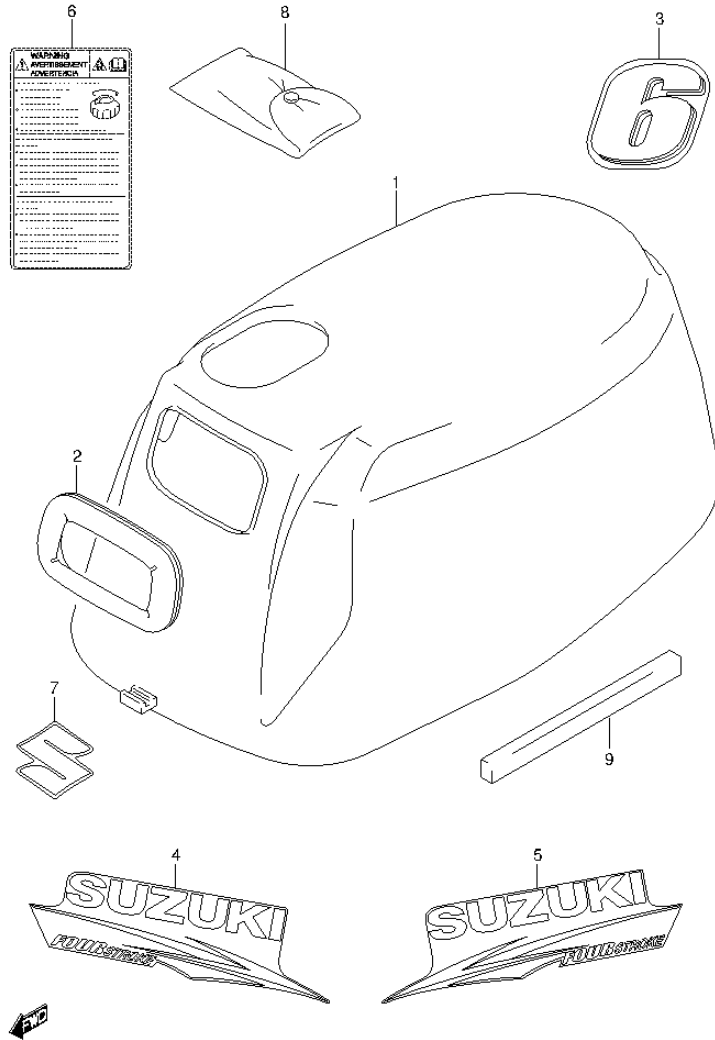


FIG.31 (1-D-8) ENGINE COVER (DF6 P01)

REF NO.	PART NO.	DESCRIPTION	Q'TY	REMARKS
1	61411-91J10-0EP	COVER, ENGINE UPPER (BLACK)	1	
2	61622-91J40	SEAL, RECOIL STARTER	1	
3	61435-91J90	MARK, EMBLEM REAR (6)	1	
4	61443-91J40	STRIPE, ENGINE COVER STBD	1	
5	61453-91J40	STRIPE, ENGINE COVER PORT	1	
6	61458-97J40	LABEL, ENGINE COVER	1	
7	68111-99J00	EMBLEM (S)	1	
8	09800-01007	TOOL ASSY	1	
9	61416-91J00	GUARD, AIR INTAKE	1	

FIG.32

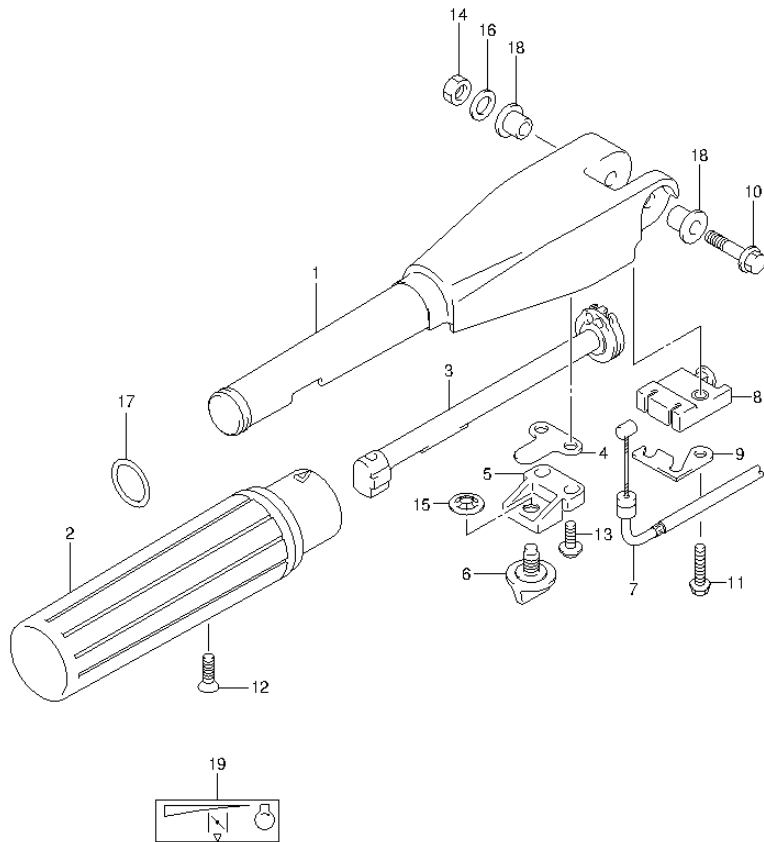


FIG.32 (1-D-9) TILLER HANDLE

REF NO.	PART NO.	DESCRIPTION	Q'TY	REMARKS
1	63111-91J21-0EP	HANDLE, TILLER (BLACK)	1	
2	63210-93E30	GRIP	1	
3	63221-91J10	ROD, HANDLE	1	
4	63225-98601	PLATE, HANDLE	1	
5	63241-986B0	SUPPORT, HANDLE ROD	1	
6	63244-986A0	KNOB, THROTTLE ADJUST	1	
7	63610-91J20	CABLE, THROTTLE	2	
8	63620-91J10	STOPPER, THROTTLE CABLE	1	
9	63628-91J10	PLATE, THROTTLE CABLE STOPPER	1	
10	09116-08156	BOLT (8X50)	1	
11	09116-06229	BOLT (6X25)	1	
12	09126-06015	SCREW (6X23)	1	
13	09136-05041	SCREW (5X20)	2	
14	09140-08023-XC0	NUT	1	
15	09148-06008	NUT	1	
16	09160-08082	WASHER (8.5X16X1.2)	1	
17	09280-20004	O RING (D:2.4,ID:19.8)	1	
18	09306-08016	BUSH	2	
19	69714-91J20	MARK, ENGINE START	1	

FIG.33

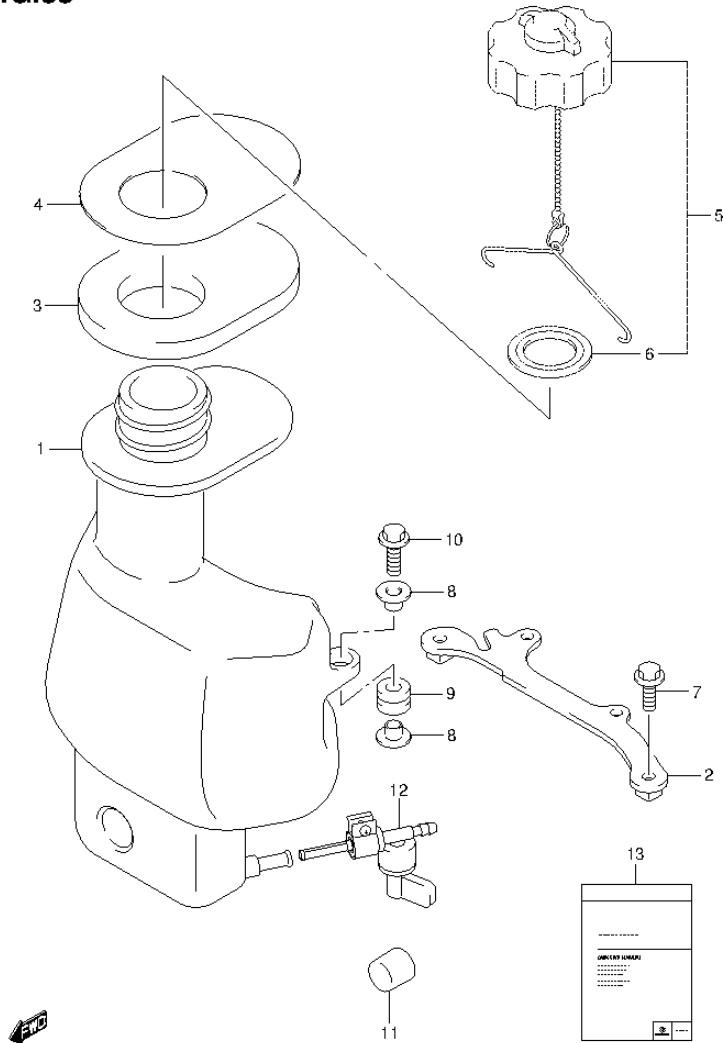


FIG.33 (1-D-10) FUEL TANK (DF4 P01)

REF NO.	PART NO.	DESCRIPTION	Q'TY	REMARKS
1	65110-91J50	TANK, FUEL	1	
2	65260-91J00	BRACKET, FUEL TANK	1	
3	65281-91J11	RUBBER, FUEL TANK	1	
4	65284-91JL0	RUBBER, FUEL TANK GROMMET	1	
5	65510-91JL2	CAP, FUEL TANK	1	
6	09168-32001	.GASKET (32X48X2.5)	1	
7	01550-06167	BOLT	2	
8	09169-06088	WASHER	4	
9	09320-09039	CUSHION	2	
10	01550-06257	BOLT	2	
11	61151-91J20	CUSHION	2	
12	66100-91JL0	COCK ASSY, FUEL	1	
13	99011-91J40-055	MANUAL, OWNER'S	1	

FIG.34

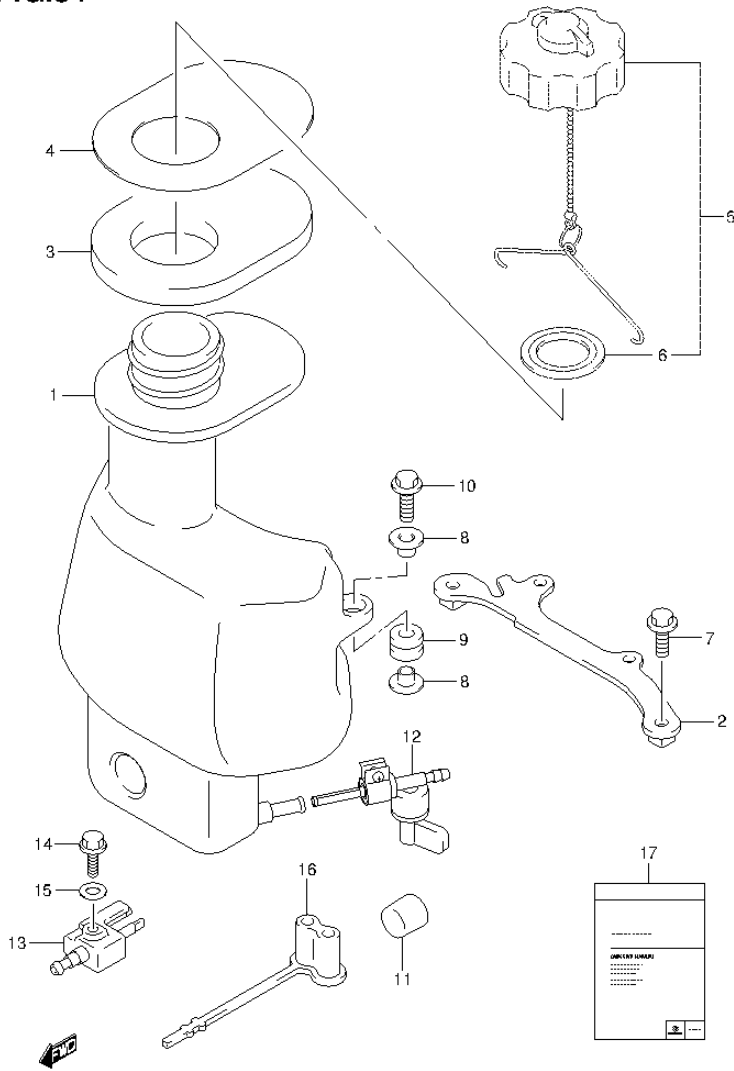


FIG.34 (1-D-11) FUEL TANK (DF5 P01)

REF NO.	PART NO.	DESCRIPTION	Q'TY	REMARKS
1	65110-91J50	TANK, FUEL	1	
2	65260-91J00	BRACKET, FUEL TANK	1	
3	65281-91J11	RUBBER, FUEL TANK	1	
4	65284-91JL0	RUBBER, FUEL TANK GROMMET	1	
5	65510-91JL2	CAP, FUEL TANK	1	
6	09168-32001	.GASKET (32X48X2.5)	1	
7	01550-06167	BOLT	2	
8	09169-06088	WASHER	4	
9	09320-09039	CUSHION	2	
10	01550-06257	BOLT	2	
11	61151-91J20	CUSHION	2	
12	66100-91JL0	COCK ASSY, FUEL	1	
13	65720-986L0	PLUG, FUEL CONNECTOR	1	
14	09103-06237	BOLT (6X12.5)	1	
15	09160-06085	WASHER (6.5X15X1)	1	
16	65727-91JL0	CAP, FUEL CONNECTOR PLUG	1	
17	99011-91J40-055	MANUAL, OWNER'S	1	

FIG.35

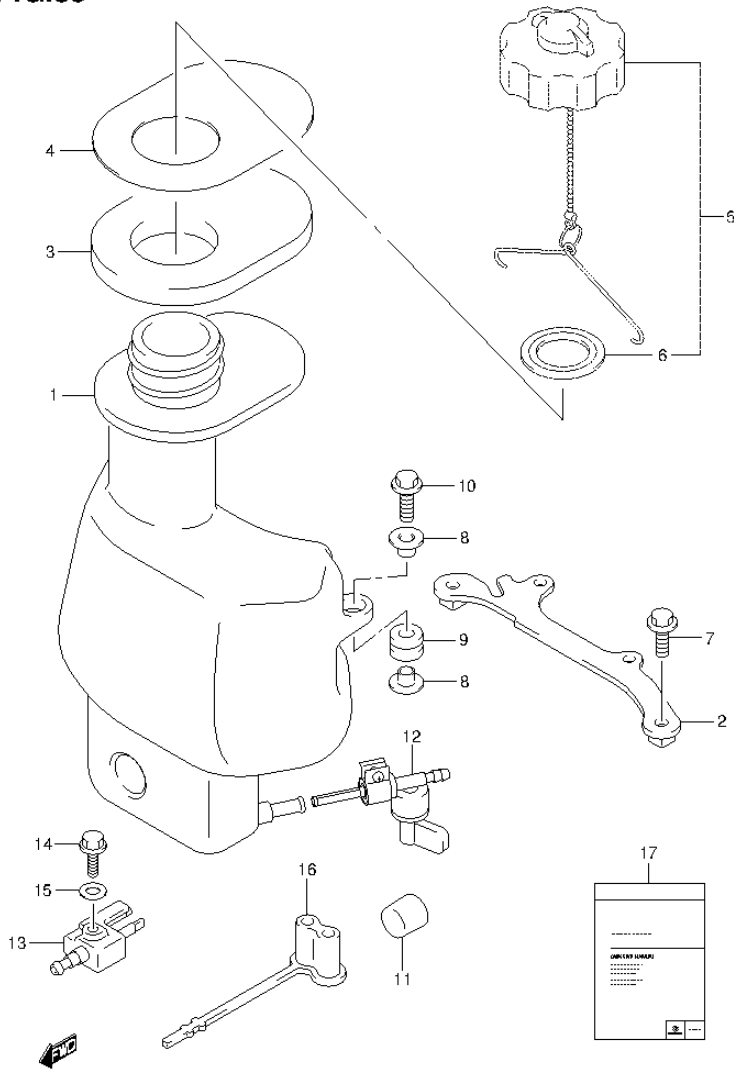


FIG.35 (1-D-12) FUEL TANK (DF6 P01)

REF NO.	PART NO.	DESCRIPTION	Q'TY	REMARKS
1	65110-91J50	TANK, FUEL	1	
2	65260-91J00	BRACKET, FUEL TANK	1	
3	65281-91J11	RUBBER, FUEL TANK	1	
4	65284-91JL0	RUBBER, FUEL TANK GROMMET	1	
5	65510-91JL2	CAP, FUEL TANK	1	
6	09168-32001	.GASKET (32X48X2.5)	1	
7	01550-06167	BOLT	2	
8	09169-06088	WASHER	4	
9	09320-09039	CUSHION	2	
10	01550-06257	BOLT	2	
11	61151-91J20	CUSHION	2	
12	66100-91JL0	COCK ASSY, FUEL	1	
13	65720-986L0	PLUG, FUEL CONNECTOR	1	
14	09103-06237	BOLT (6X12.5)	1	
15	09160-06085	WASHER (6.5X15X1)	1	
16	65727-91JL0	CAP, FUEL CONNECTOR PLUG	1	
17	99011-91J40-055	MANUAL, OWNER'S	1	

FIG.36

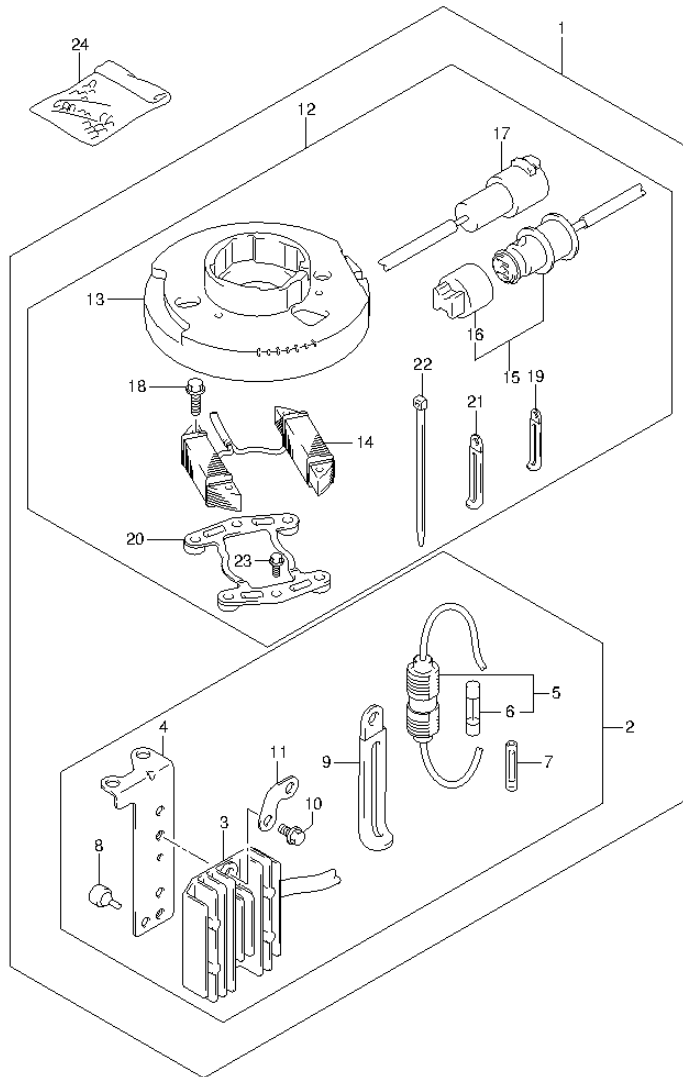


FIG.36 (1-D-13) OPT:ELECTRICAL

REF NO.	PART NO.	DESCRIPTION	Q'TY	REMARKS
1	32000-91J12	KIT, BATTERY CHARGING	1	
2	32801-91J01	..RECTIFIER SET	1	
3	32800-94620	..RECTIFIER / REGULATOR ASSY	1	
4	32890-91J00	..BRACKET, RECTIFIER	1	
5	36740-95253	..CASE ASSY, FUSE	1	
6	09481-20001	...FUSE (20A)	1	
7	37132-93700	..TERMINAL, LEAD WIRE	2	
8	09321-05019	..CUSHION	1	
9	09404-06435	..CLAMP (L:135)	1	
10	01550-06127	..BOLT	2	
11	36617-91J10	..BRACKET, HARNESS	1	
12	39600-91J12	..COIL SET, RECEPTACLE	1	
13	32102-91J30	..FLYWHEEL, MAGNETO	1	
14	32120-91J10	..COIL, LIGHTING	2	
15	39601-95D00	..RECEPTACLE, LIGHTING	1	
16	36634-93910	...CAP, LIGHTING RECEPTACLE	1	
17	39602-93900	..PLUG, LIGHTING	1	
18	02112-06207	..BOLT	4	
19	09404-06429	..CLAMP (L:45)	1	
20	12625-91J00	..BASE, STARTER	1	
21	09404-06207	..CLAMP (L:65)	1	
22	09407-14407	..CLAMP (L:145)	1	
23	01550-06167	..BOLT	2	
24	36990-87D00	TERMINAL	1	

FIG.37

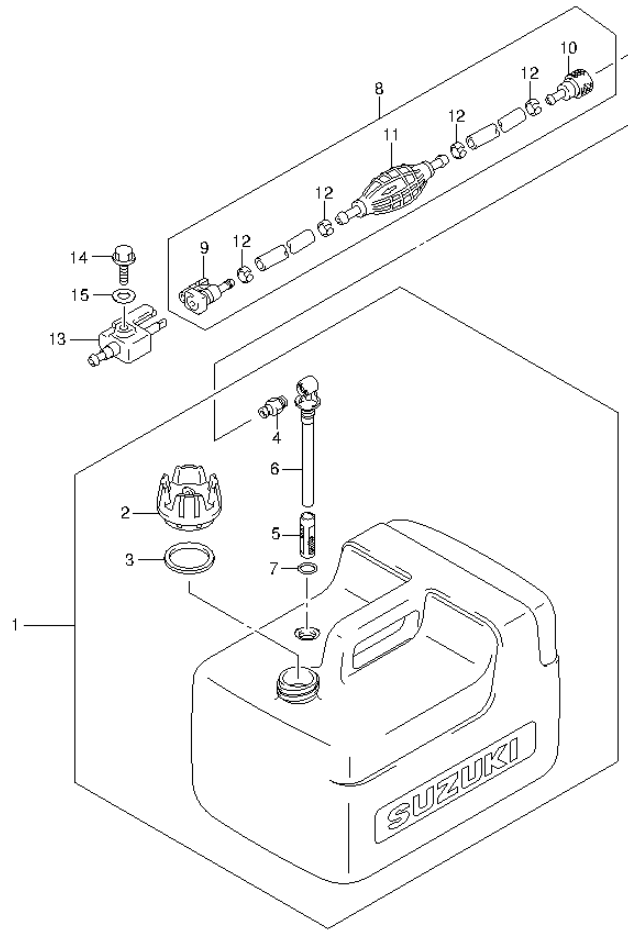


FIG.37 (1-D-14) OPT:FUEL TANK (DF4 P01)

REF NO.	PART NO.	DESCRIPTION	Q'TY	REMARKS
1	65000-99100	TANK ASSY, FUEL (12L)	1	
2	65520-99100	.CAP, FUEL TANK	1	
3	65561-95D00	.GASKET	1	
4	65740-99100	.PLUG, FUEL CONNECTOR	1	
5	65831-95D00	.FILTER OUTLET	1	
6	65890-99100	.OUTLET ASSY	1	
7	65892-95D00	.O RING	1	
8	65700-94JD1	HOSE, FUEL	1	
9	65750-87J11	.SOCKET, FUEL HOSE	1	
10	65750-98505	.SOCKET, FUEL HOSE	1	
11	65770-99J01	.PUMP, SQUEEZE	1	
12	65781-98500	.CLIP, FUEL HOSE	4	
13	65720-986L0	PLUG, FUEL CONNECTOR	1	
14	09103-06237	BOLT (6X12.5)	1	
15	09160-06085	WASHER (6.5X15X1)	1	

FIG.38

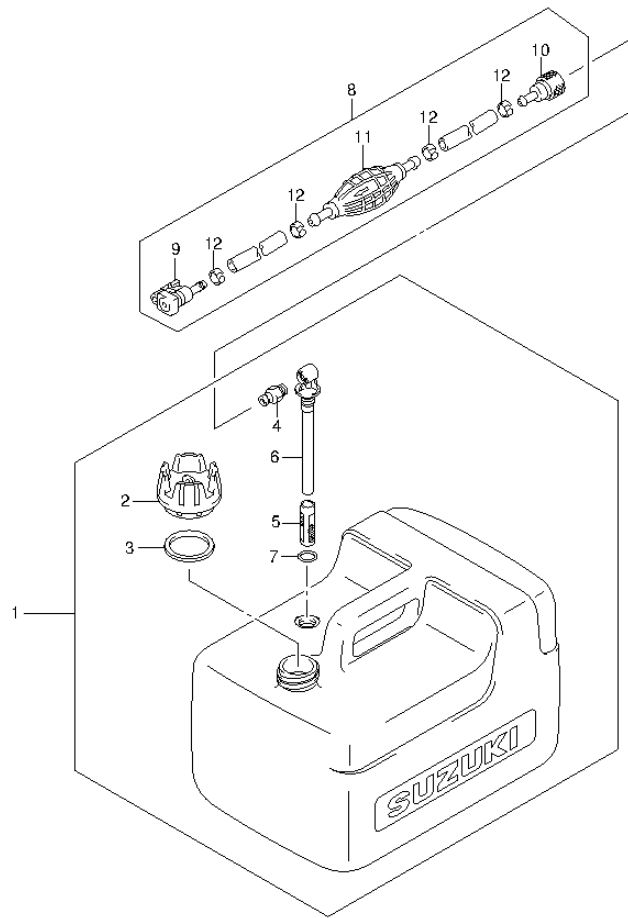


FIG.38 (1-D-15) OPT:FUEL TANK (DF5 P01)

REF NO.	PART NO.	DESCRIPTION	Q'TY	REMARKS
1	65000-99100	TANK ASSY, FUEL (12L)	1	
2	65520-99100	.CAP, FUEL TANK	1	
3	65561-95D00	.GASKET	1	
4	65740-99100	.PLUG, FUEL CONNECTOR	1	
5	65831-95D00	.FILTER OUTLET	1	
6	65890-99100	.OUTLET ASSY	1	
7	65892-95D00	.O RING	1	
8	65700-94JD1	HOSE, FUEL	1	
9	65750-87J11	.SOCKET, FUEL HOSE	1	
10	65750-98505	.SOCKET, FUEL HOSE	1	
11	65770-99J01	.PUMP, SQUEEZE	1	
12	65781-98500	.CLIP, FUEL HOSE	4	

FIG.39

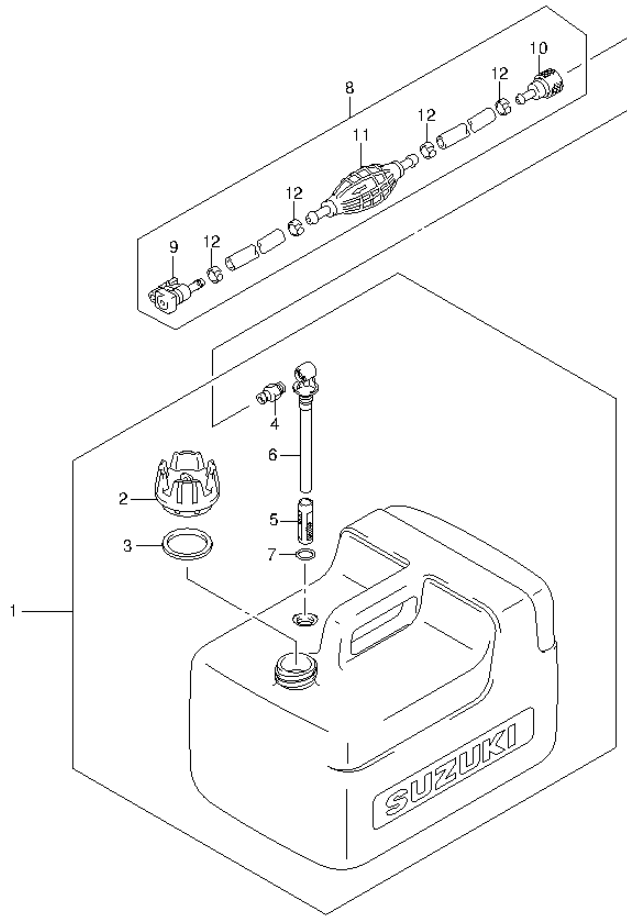
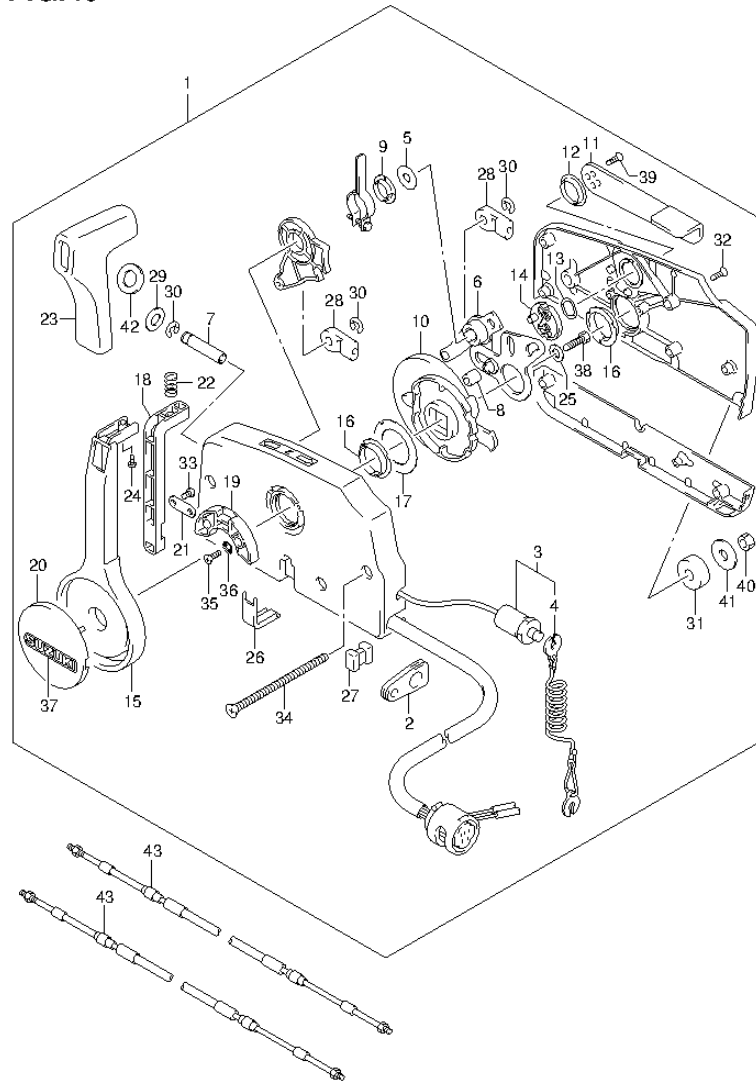


FIG.39 (1-E-2) OPT:FUEL TANK (DF6 P01)

REF NO.	PART NO.	DESCRIPTION	Q'TY	REMARKS
1	65000-99100	TANK ASSY, FUEL (12L)	1	
2	65520-99100	.CAP, FUEL TANK	1	
3	65561-95D00	.GASKET	1	
4	65740-99100	.PLUG, FUEL CONNECTOR	1	
5	65831-95D00	.FILTER OUTLET	1	
6	65890-99100	.OUTLET ASSY	1	
7	65892-95D00	.O RING	1	
8	65700-94JD1	HOSE, FUEL	1	
9	65750-87J11	.SOCKET, FUEL HOSE	1	
10	65750-98505	.SOCKET, FUEL HOSE	1	
11	65770-99J01	.PUMP, SQUEEZE	1	
12	65781-98500	.CLIP, FUEL HOSE	4	

FIG.40

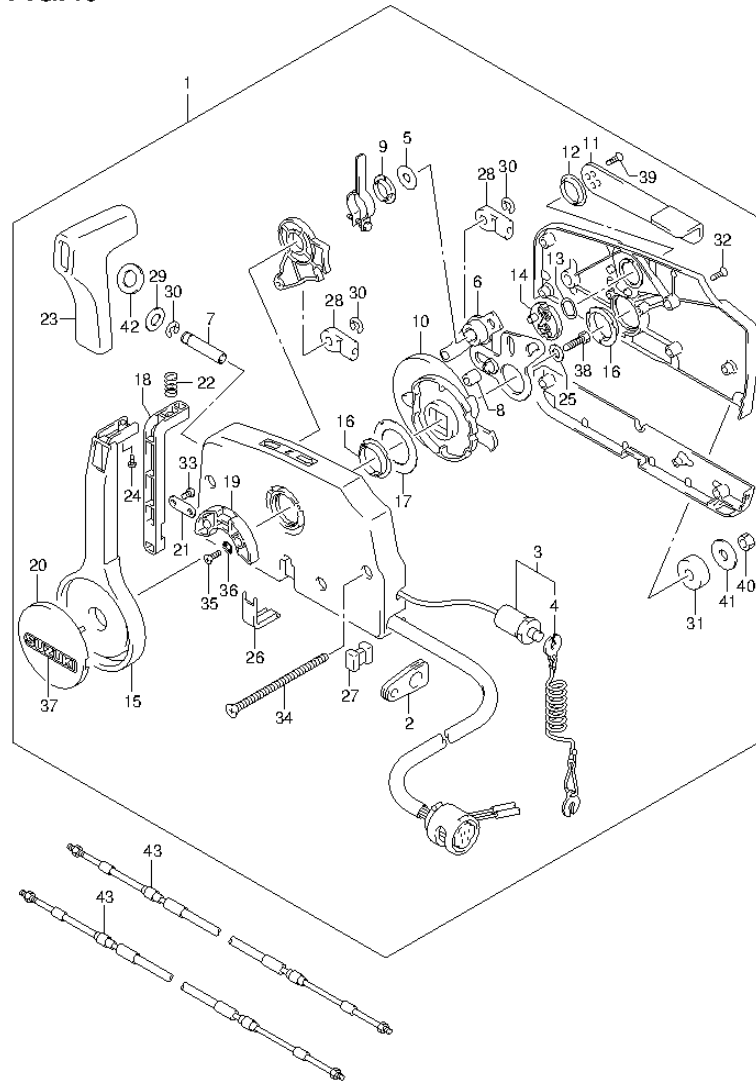
FIG.40 (1-E-3) OPT:REMOTE CONTROL



REF NO.	PART NO.	DESCRIPTION	Q'TY	REMARKS
1	67200-91J04	REMOTE CONTROL ASSY	1	
2	36628-92E00	.GROMMET, WIRE HARNESS	1	
3	37830-95D02	.SWITCH ASSY, EMERGENCY & STOP	1	
4	37823-92E01	.PLATE, LOCK	1	
5	67212-95600	.WASHER	1	
6	67220-95630	.PLATE ASSY	1	
7	67223-99E10	.KNOB, BRAKE ADJUST	1	
8	67229-95600	.ROLLER	1	
9	67232-95600	.BUSH	1	
10	67238-87D00	.GEAR, DRIVE	1	
11	67241-99E10	.LEVER, FREE THROTTLE	1	
12	67243-95600	.BUSH	1	
13	67244-95600	.WAVE WASHER	1	
14	67245-95600	.DRUM, FREE THROTTLE	1	
15	67251-99E10	.LEVER, HANDLE	1	
16	67252-95600	.BUSH	2	
17	67253-95600	.WASHER	1	
18	67255-99E00	.ARM, LOCK	1	
19	67256-95600	.HOLDER, NEUTRAL LOCK	1	
20	67257-99E00	.CAP, LEVER	1	
21	67258-99E00	.BRACKET	1	
22	67259-87D00	.SPRING, NEUTRAL ARM	1	
23	67261-99E00	.GRIP	1	
24	67296-94310	.SCREW	1	
25	67264-95600	.WASHER	1	
26	67267-93J00	.COVER, WIRE	1	
27	67273-95600	.SPACER	1	
28	67275-95600	.END, CABLE	2	
29	67288-92E00	.WASHER, BRAKE ADJ KNOB	1	
30	67292-94300	.E RING	3	
31	67294-95600	.SPACER	3	
32	67296-90J00	.SCREW, REAR COVER	5	
33	67296-94300	.SCREW	2	
34	67296-95600	.SCREW	3	

FIG.40

FIG.40 (1-E-4) OPT:REMOTE CONTROL



REF NO.	PART NO.	DESCRIPTION	Q'TY	REMARKS
35	67296-95610	.SCREW	2	
36	67297-95600	.WASHER	2	
37	68165-16B00-13L	.EMBLEM, SUZUKI (SILVER)	1	
38	09100-08232	.BOLT (8X30)	1	
39	09126-05003	.SCREW (5X12)	2	
40	09140-06020	.NUT	3	
41	09160-06104	.WASHER (6.5X24X2)	3	
42	37859-90J00	.SPACER	1	
43-1	67320-93J00	CABLE ASSY, REMOCON 8F (2.4M)	2	
43-2	67320-93J10	CABLE ASSY, REMOCON 10F (3.1M)	2	
43-3	67320-93J20	CABLE ASSY, REMOCON 12F (3.7M)	2	
43-4	67320-93J30	CABLE ASSY, REMOCON 14F (4.3M)	2	
43-5	67320-93J40	CABLE ASSY, REMOCON 16F (4.9M)	2	

FIG.41

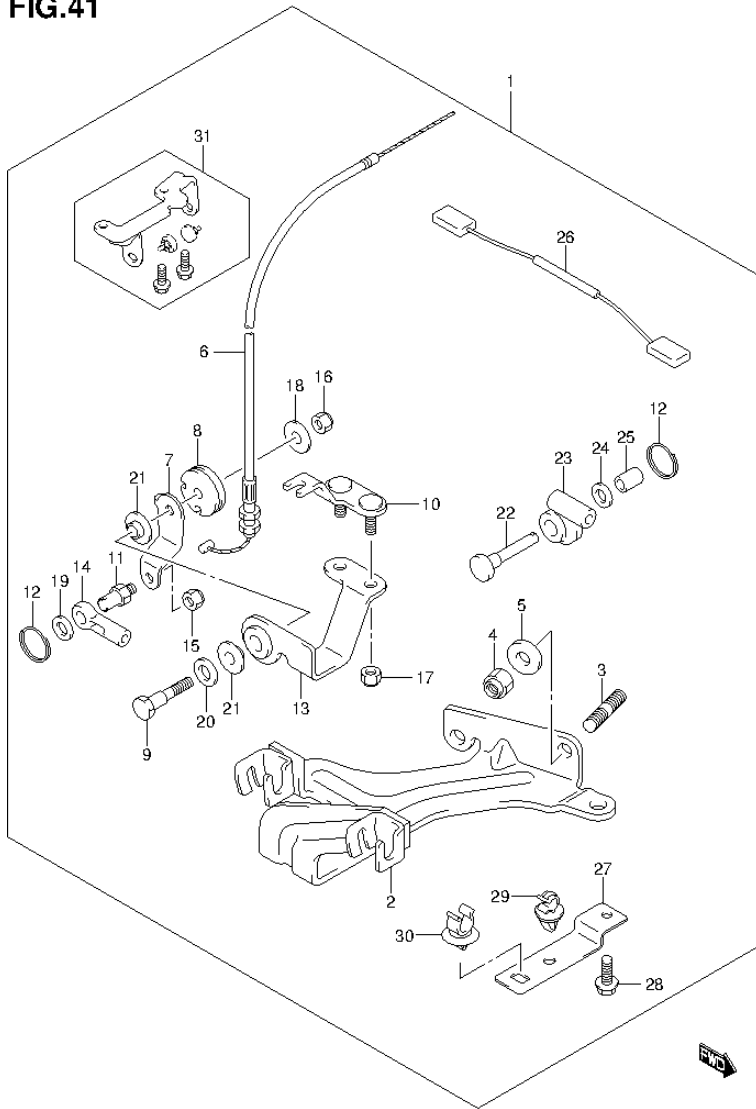


FIG.41 (1-E-5) OPT:REMOCON PARTS SET

REF NO.	PART NO.	DESCRIPTION	Q'TY	REMARKS
1	67101-91J00	PARTS SET, REMOCON	1	
2	67110-91J00	ATTACHMENT, REMOCON	1	
3	09108-08130	.STUD BOLT	2	
4	09159-08059	.NUT	2	
5	29162-93J10	.WASHER, REMOCON ATTACHMENT	2	
6	63610-91J11	.CABLE, THROTTLE	1	
7	67412-91J00	.LEVER, REMOCON THROTTLE	1	
8	67415-91J00	.DRUM, REMOCON THROTTLE	1	
9	67416-91J00	.BOLT, REMOCON THROTTLE LEVER	1	
10	67430-91J00	.GUIDE, THROTTLE CABLE	1	
11	67447-91J10	.BOLT, THROTTLE CABLE	1	
12	67448-91J00	.STOPPER, REMOCON CABLE	2	
13	67460-91J00	.BRACKET, REMOCON THROTTLE	1	
14	67466-95200	.CONNECTOR, REMOCON CABLE	1	
15	29141-93J00	.NUT, THROTTLE CABLE	1	
16	09159-06079	.NUT	1	
17	09159-06079	.NUT	2	
18	09160-06104	.WASHER (6.5X24X2)	1	
19	09160-08091	.WASHER (8.5X14X1.0)	1	
20	09164-08017	.WASHER	1	
21	09306-08002	.BUSH	2	
22	67447-91J01	.PIN, CLUTCH CABLE	1	
23	67467-93E01	.CONNECTOR, REMOCON CABLE	1	
24	09160-06082	.WASHER (6.5X13X1.0)	1	
25	09180-06097	.SPACER (6.1X9X12.3)	1	
26	36831-91J00	.LEAD, STOP SW	1	
27	65791-91J00	.BRACKET, HOSE & CABLE CLAMP	1	
28	29103-93J00	.BOLT, HOSE & CABLE CLAMP	1	
29	09403-07325	.CLAMP	1	
30	09403-12314	.CLAMP	1	
31	67150-91J00	.PARTS SET, STOPPER	1	

PART NO.	FIG.NO.-REF.NO.	PART NO.	FIG.NO.-REF.NO.	PART NO.	FIG.NO.-REF.NO.
10000		12932-24400	5-24	13267-97J10	9-16
		12951-91J00	5-10		10-16
		12961-90900	5-14		11-16
		12962-91JL0	5-15	13267-97J20	9-23
		12966-91J00	5-16		10-23
11110-91J30	1-1	13111-91J80	8-1		11-23
	2-1	13111-91J90	6-1	13268-97J10	9-12
	3-1		7-1		10-12
11114-90980	1-2	13119-91J00	6-2		11-12
	2-2		7-2	13268-97J20	9-21
	3-2		8-2		10-21
11117-91JL0	1-8	13124-91JL0	9-31		11-21
	2-8		10-31	13268-97J30	9-7
	3-8		11-31		10-7
11141-91JL0	1-3	13125-91J10	9-24		11-7
	2-3		10-24	13371-91J20	9-4
	3-3		11-24		10-4
11171-91J00	1-13	13200-91JQ0	9-1		11-4
	2-13	13200-91JR0	10-1	13413-91JL0	9-25
	3-13	13200-91JS0	11-1		10-25
11174-91J00	1-4	13236-91J40	11-2		11-25
	2-4	13236-91J50	9-2	13436-91J00	9-26
	3-4		10-2		10-26
11189-91J00	1-14	13245-97J00	9-9		11-26
	2-14		10-9	13534-97J10	9-22
	3-14		11-9		10-22
11200-91J20	4-1	13247-97J00	9-11		11-22
11300-91J20	4-4		10-11	13616-97J00	9-13
11351-91J00	4-8		11-11		10-13
11381-91J10	4-9	13248-97J00	9-20		11-13
11452-91J00	1-5		10-20	13631-91J00	9-27
	2-5		11-20		10-27
	3-5	13249-97J00	9-10		11-27
11971-91J01	4-5		10-10	13710-91J20	6-4
12100-91J10-050	5-25		11-10		7-4
12111-91J01-0B0	5-1	13249-97J10	9-19		8-4
12140-91J10	5-2		10-19	13720-91J30	6-5
12140-91J10-050	5-26		11-19		7-5
12151-90900	5-3	13250-97J00	9-5		8-5
12160-91JL0-0A0	5-5		10-5	15100-91J02	12-1
12163-91JL0	5-6		11-5		13-1
12200-91JL0	5-7	13251-97J00	9-8		14-1
12625-91J00	36-20		10-8	15170-91J01	12-2
12711-91J20	5-9		11-8		13-2
12891-87C00	5-19	13254-97J00	9-6		14-2
12894-91JL0	5-13		10-6	15191-91JL0	13-11
12911-91J01	5-20		11-6		14-11
12915-91J01	5-21	13267-97J00	9-14	15191-91JM0	12-9
12921-91J00	5-22		10-14	15192-91JL0	13-10
12931-78G00	5-23		11-14		14-10

PART NO.	FIG.NO.-REF.NO.	PART NO.	FIG.NO.-REF.NO.	PART NO.	FIG.NO.-REF.NO.	
15251-91J00	12-3	21110-91JL0	18-1	36740-95253	36-5	
	13-3	21120-91J02	18-2	36831-91J00	41-26	
	14-3	21131-96010	26-23	36990-87D00	36-24	
15410-98500	12-4		27-22	36991-91J00	21-14	
	13-4		28-22	37132-93700	36-7	
	14-4	21216-91J00	18-3	37823-92E01	40-4	
16131-91J00	17-1	22511-99011	23-1	37823-97J00	21-10	
16132-91J00	17-2		24-2	37826-97J00	21-11	
16161-91J00	17-3	23111-91J01	18-4	37830-91J20	21-9	
16171-91J00	17-4	23210-91J00	18-5	37830-95D02	40-3	
16510-91J00	17-5	23212-91J00	18-6	37835-95D00	21-12	
17400-98661	15-21	23213-91J00	18-7	37859-90J00	40-42	
17410-91JL0	15-1	23310-91J00	18-8	39600-91J12	36-12	
17412-91JL0	15-13	23321-91J00	18-9	39601-95D00	36-15	
17413-91JL0	15-14	25111-91J21	19-1-1	39602-93900	36-17	
17415-98501	15-2	25111-91J31	19-1-2			
17461-985M0	15-3	25211-98601	19-2	40000		
17471-98610	15-4	25215-98601	15-20			
17472-91J00	15-5	25222-91JL0	19-3			
17561-91JN0	15-6-1	25311-91J01	19-4			
17561-91JP0	15-6-2	29103-93J00	41-28		41111-91J20-0EP	22-1
17563-91J01	15-7	29141-93J00	15-11	41121-91J20-0EP	22-2	
17564-98600	15-8		22-9	41210-986L1	22-3	
17670-91J10	1-17		41-15	41212-91J00	22-4	
17670-91J20	2-17	29162-93J10	41-5	41213-98100	22-5	
	3-17	29404-93J10	12-12	43111-91J20-0EP	23-2	
18100-91JL2	16-1		13-16	43121-91J31-0EP	23-3	
18120-91JL0	16-2		14-16	43211-91J00	23-4	
18130-98130	16-3	29404-93J20	21-6	43410-91J20	23-14	
18142-92920	16-4			43411-91J10	23-13	
18178-98310	16-5			43711-91J01	23-5	
18210-98130	16-6			43751-91J20-0EP	23-6	
18280-91J00	16-7			43752-91J20-0EP	23-7	
18290-91J01	16-9			45211-98602	23-9	
18498-91J20	12-5			45212-98602	23-10	
	13-17	32000-91J12	36-1	45230-91JL0	23-11	
	14-17	32102-91J20	21-1	45420-92DL0	22-14	
18498-91JL0-180	1-6	32102-91J30	36-13	45700-91JL0	23-16	
	2-6	32120-91J10	36-14	45722-91J00	23-17	
	3-6	32800-94620	36-3			
18498-99J00	12-13	32801-91J01	36-2	30000		
	13-5	32890-91J00	36-4			
	14-5	33410-91J40	21-2			
19183-91JL0	16-11	33500-07H00	21-7		50000	
19183-91JM0	16-12	33833-91J10	21-13			
		33833-91J20	21-8	52110-91J00-0EP		24-1
		36617-91J00	21-16	52113-91J01		24-3
		36617-91J10	36-11	52115-98600		24-4
20000		36628-92E00	40-2	52117-92D00	24-21	
		36634-93910	36-16	52131-91J20-0EP	24-14	

PART NO.	FIG.NO.-REF.NO.	PART NO.	FIG.NO.-REF.NO.	PART NO.	FIG.NO.-REF.NO.
54132-91J10	24-17		33-11	63221-91J10	32-3
54162-91J00	24-18		34-11	63225-98601	32-4
55100-91J30-0EP	25-1		35-11	63241-986B0	32-5
55181-95200	24-19	61155-94400	26-6	63244-986A0	32-6
55321-87J00	24-5		27-6	63610-91J11	41-6
	25-4		28-6	63610-91J20	32-7
55321-87J10	24-20	61211-91J70	27-23	63620-91J10	32-8
56120-91JM0-0EP	25-12		28-23	63624-91J00	26-22
56122-98601	25-17	61211-91J80	26-24		27-21
56123-98600	25-18	61212-91J00	26-25		28-21
56130-91J20	15-16		27-24	63625-96300	26-21
56132-91J00	15-18		28-24		27-20
57111-91J21	20-1-1	61411-91J10-0EP	29-1		28-20
57111-91J31	20-1-2		30-1	63628-91J10	32-9
57130-91J00	20-3		31-1	65000-99100	37-1
57311-91J00	20-5	61416-91J00	29-9		38-1
57510-91J00	20-8		30-9		39-1
57521-91J00	20-9		31-9	65110-91J50	33-1
57611-91J10	20-14	61435-91J70	29-3		34-1
57621-986L0	20-15	61435-91J80	30-3		35-1
57631-98601	20-19	61435-91J90	31-3	65132-91J00	26-2
57632-98501	20-20	61443-91J40	29-4		27-2
57635-91JL0	25-24		30-4		28-2
58110-91JL0-019	25-21-1		31-4	65197-91JL0	26-3
58110-91JM0-019	25-21-2	61453-91J40	29-5		27-3
58110-91JN0-019	25-21-3		30-5		28-3
58120-91JL0	25-22		31-5	65260-91J00	33-2
58130-91JL0	25-23	61458-97J40	29-6		34-2
59311-91J00	25-2		30-6		35-2
			31-6	65281-91J11	33-3
		61472-91J30	16-15		34-3
		61493-91J00	16-16		35-3
		61494-91J00	16-17	65284-91JL0	33-4
		61611-91J00	26-16		34-4
			27-15		35-4
61100-91JA0-0EP	26-1		28-15	65510-91JL2	33-5
	27-1	61622-91J40	29-2		34-5
	28-1		30-2		35-5
61112-91J10	26-7		31-2	65520-99100	37-2
	27-7	61640-91J10	26-17		38-2
	28-7		27-16		39-2
61126-91J01	26-8		28-16	65561-95D00	37-3
	27-8	61827-91J00	1-7		38-3
	28-8		2-7		39-3
61151-91J11	26-13		3-7	65700-94JD1	37-8
	27-13	61950-91J20	26-9		38-8
	28-13		27-9		39-8
61151-91J20	26-14		28-9	65720-986L0	34-13
	27-14	63111-91J21-0EP	32-1		35-13
	28-14	63210-93E30	32-2		37-13

60000

PART NO.	FIG.NO.-REF.NO.	PART NO.	FIG.NO.-REF.NO.	PART NO.	FIG.NO.-REF.NO.
65727-91JL0	34-16	67258-99E00	40-21		
	35-16	67259-87D00	40-22		
65740-99100	37-4	67261-99E00	40-23		
	38-4	67264-95600	40-25		
	39-4	67267-93J00	40-26		
65750-87J11	37-9	67273-95600	40-27	01547-06857	9-28
	38-9	67275-95600	40-28		10-28
	39-9	67288-92E00	40-29		11-28
65750-98505	37-10	67292-94300	40-30	01550-06127	36-10
	38-10	67294-95600	40-31	01550-06167	1-10
	39-10	67296-90J00	40-32		1-15
65770-99J01	37-11	67296-94300	40-33		2-10
	38-11	67296-94310	40-24		2-15
	39-11	67296-95600	40-34		3-10
65781-98500	37-12	67296-95610	40-35		3-15
	38-12	67297-95600	40-36		16-13
	39-12	67320-93J00	40-43-1		33-7
65791-91J00	41-27	67320-93J10	40-43-2		34-7
65831-95D00	37-5	67320-93J20	40-43-3		35-7
	38-5	67320-93J30	40-43-4		36-23
	39-5	67320-93J40	40-43-5	01550-06207	16-10
65890-99100	37-6	67412-91J00	41-7		21-3
	38-6	67415-91J00	41-8	01550-06257	33-10
	39-6	67416-91J00	41-9		34-10
65892-95D00	37-7	67430-91J00	41-10		35-10
	38-7	67447-91J01	41-22	01550-06307	4-11
	39-7	67447-91J10	41-11		12-6
66100-91JL0	33-12	67448-91J00	41-12		13-6
	34-12	67460-91J00	41-13		14-6
	35-12	67466-95200	41-14	01570-06357	6-3
67101-91J00	41-1	67467-93E01	41-23		7-3
67110-91J00	41-2	68111-99J00	29-7		8-3
67150-91J00	41-31		30-7	02112-0612A	1-11
67200-91J04	40-1		31-7		2-11
67212-95600	40-5	68165-16B00-13L	40-37		3-11
67220-95630	40-6	69711-93E10	16-14	02112-06207	36-18
67223-99E10	40-7	69714-91J20	32-19	04211-09149	4-14
67229-95600	40-8	69911-91J40	22-15	04211-11169	1-12
67232-95600	40-9				2-12
67238-87D00	40-10				3-12
67241-99E10	40-11			08211-17251	5-12
67243-95600	40-12			08211-25361	5-8
67244-95600	40-13			08322-01067	9-29
67245-95600	40-14				10-29
67251-99E10	40-15				11-29
67252-95600	40-16	99000-81157-50M	16-8	08341-31039	21-5
67253-95600	40-17	99011-91J40-055	33-13	09100-06177	22-7
67255-99E00	40-18		34-17	09100-08232	40-38
67256-95600	40-19		35-17	09100-10321	22-8
67257-99E00	40-20			09103-06237	34-14

00000

90000

PART NO.	FIG.NO.-REF.NO.	PART NO.	FIG.NO.-REF.NO.	PART NO.	FIG.NO.-REF.NO.
09103-06281	35-14	09160-06085	22-11	09181-20176	20-13-5
	37-14		41-24	09200-08045	23-19
	24-8		34-15	09202-04016	20-16
	25-6		35-15	09202-06015	24-11
	5-11		37-15	09204-01002	18-13
09106-02001	5-17	09160-06104	40-41		23-15
09108-06126	15-9		41-18		23-20
09108-06146	24-15	09160-06145	18-12	09204-03003	25-25
09108-08092	41-3	09160-08082	23-18	09205-02004	19-6
09108-08130	23-12		25-11	09205-06007	22-6
09116-06094	23-8		32-16	09206-11006	24-16
09116-06099	24-7	09160-08091	41-19		25-8
09116-06189	15-10	09160-10082	22-12	09248-10008	4-13
09116-06225	25-19	09160-10088	20-6-1		24-6
	26-10	09160-10089	20-6-2		25-9
	27-10	09160-10090	20-6-3	09248-12007	24-12
09116-06227	28-10	09160-10091	20-6-4	09250-06005	26-4
	18-10	09160-10092	20-6-5		27-4
	09116-06229	15-19	09160-12070	20-10-2	28-4
	32-11	09164-08017	41-20	09250-12004	26-5
09116-08150	26-11	09166-12L01	20-7		27-5
	27-11	09167-23001	25-13		28-5
09116-08156	28-11	09168-10022	4-12	09250-12006	26-15
	25-5		24-9	09262-12001	25-15
	32-10		25-7	09262-20106	25-3
09125-05132	26-18	09168-12017	24-10		25-16
	27-17	09168-32001	33-6	09262-25003	4-3
	28-17		34-6	09280-05008	19-7
09126-05003	40-39		35-6	09280-15007	4-10
09126-06015	32-12	09169-06088	33-8		19-8
09128-06014	18-11		34-8	09280-16005	18-14
09136-05041	32-13		35-8	09280-20004	32-17
09140-05005	26-19	09180-06097	41-25	09280-27006	12-7
	27-18	09180-06310	6-6		13-7
	28-18		7-6		14-7
09140-06020	40-40		8-6	09280-49002	25-20
09140-06021	5-18	09180-06357	22-13	09282-10008	15-17
09140-08023-XCO	25-10	09181-10156	20-2	09282-12L05	25-14
	32-14	09181-12008	20-10-1	09283-10009	4-6
09148-06008	32-15	09181-12111	20-10-3	09283-25076	4-7
09159-06079	41-16		20-11	09283-25098	4-2
	41-17	09181-20159	20-12-1	09306-08002	41-21
09159-08059	41-4	09181-20160	20-12-2	09306-08016	32-18
09159-10050	22-10	09181-20162	20-12-3	09308-08011	26-12
09159-12059	21-4		20-13-1		27-12
09160-05029	26-20	09181-20164	20-12-4		28-12
	27-19		20-13-2	09320-04010	24-13
	28-19	09181-20167	20-12-5	09320-09039	33-9
09160-05501	19-5		20-13-3		34-9
09160-06082	15-12	09181-20172	20-13-4		35-9

PART NO.	FIG.NO.-REF.NO.	PART NO.	FIG.NO.-REF.NO.	PART NO.	FIG.NO.-REF.NO.
09321-05019	36-8				10-15-2
09343-50L01-040	12-8	09492-34004			9-15-2
	13-8				10-15-3
	13-9				11-15-1
	14-8	09492-36L01			9-15-3
	14-9				11-15-2
09343-50L01-300	12-10	09492-38L01			11-15-3
	13-12	09493-21L01			11-17
	14-12	09493-22L01			9-17
09355-50105-600	9-30	09493-23L01			10-17
	10-30	09493-95L01			9-18
	11-30				10-18
09367-06007	13-13				11-18
	14-13	09800-01007			29-8
09380-10003	20-4				30-8
09381-18002	5-4				31-8
09383-04002	18-15				
09401-09404	12-11				
	13-14				
	14-14				
09401-11422	13-15				
	14-15				
09401-11424	1-9				
	2-9				
	3-9				
09403-07325	41-29				
09403-12314	41-30				
09404-06207	36-21				
09404-06429	36-19				
09404-06435	36-9				
09407-10404	21-15				
09407-14407	36-22				
09420-03002	15-15				
09440-05039	20-17				
09440-24007	20-18				
09481-20001	36-6				
09482-00L04	1-16				
	2-16				
	3-16				
09491-50L01	9-3-1				
09491-52L01	9-3-2				
09491-54L01	9-3-3				
09491-62009	10-3-1				
09491-64003	10-3-2				
09491-66005	10-3-3				
	11-3-3				
09491-68006	11-3-1				
09491-70018	11-3-2				
09492-30018	10-15-1				
09492-32011	9-15-1				

SUZUKI **DF4/5/6** PARTS CATALOGUE

SUZUKI MOTOR CORPORATION All rights reserved

No part of this document may be reproduced or transmitted in any form or by any means, electronic or mechanical, for any purpose, without the express written permission of Suzuki Motor Corporation.

SUZUKI MOTOR CORPORATION

Technical Readiness Group, Quality Administration Department
300 Takatsuka, Minami, Hamamatsu, Japan

Reprint Prohibited

SUZUKI MOTOR CORPORATION