

БОЛЬШОЙ СКЛАД ЗАПЧАСТЕЙ В САНКТ-ПЕТЕРБУРГЕ

Для лодочных моторов Suzuki в наличии все ходовые запчасти, сервисные наборы, расходные материалы, оригинальные аксессуары, оригинальные и не оригинальные гребные винты, “ноги”, тросы для установки на лодку и многое другое.

Найдите в каталоге коды необходимых запчастей

и отправьте их список на Email: parts-katalog@yandex.ru

мы пришлём информацию о цене и наличии

Возможен самовывоз со склада в Санкт-Петербурге

или отправка EMS по России

Наш сайт: www.partskatalog.ru

Контактный телефон: +7 (981) 121-46-93

Особое внимание, обратите на модификацию двигателя. Сверьте серийный номер и скачайте «правильный» каталог запчастей. Не путайте старые моторы серии «Т» и новые серии «А».

SUZUKI

PARTS CATALOGUE

DF40A/50A/60A

DF40A/ATH/AQH

DF40AST

DF50A/ATH

DF60A/ATH/AQH

DF50AV/AVTH

DF60AV/AVTH



OUTBOARD MOTOR

E01/E40/E34

2013-6

1ST EDITION

PREFACE

When it becomes necessary to replace parts on SUZUKI OUTBOARD MOTORS, always use SUZUKI GENUINE PARTS which have passed a strict inspection which guarantees quality and performance.

This parts catalogue covers the list of all service parts for SUZUKI DF40A/50A/60A production start 2013.

INSTRUCTIONS FOR QUOTING THE CATALOGUE

1. DIMENSIONS

Dimensions of the parts in this catalogue are indicated in unit millimeters.

2. ABBREVIATIONS

Abbreviations used in this catalogue are as follows:

AR	: As required	NT	: Number of teeth
ASSY	: Assembly	OPT	: Optional
E. NO.	: Engine number	OS	: Over size
F. NO.	: Frame number	STD	: Standard
D	: Diameter of material	T	: Thickness
ID	: Inside diameter	US	: Under size
OD	: Outside diameter	W	: Width
L	: Length	W/	: With
LH(PORT)	: Left hand side	S, L, X	: Transom type
RH(STBD)	: Right hand side	SUS	: Stainless steel
~031234	: Up to E.No. 06002F-031234	PTT	: Power trim and tilt
031234~	: From E.No. 06002F-031234		

$\frac{12}{|}$ x $\frac{34}{|}$ x $\frac{5.6}{|}$ Figures in the description column

| | | show the dimensions of parts.
ID OD T(or W, L)

→12345-56781 (Parts No.) : indicates that the parts number was changed to 12345-56781 and the new parts are interchangeable with the former ones but the former ones are not interchangeable with new ones.

←12345-56781 (Parts No.) : indicates that the former and new parts are interchangeable with each other and both are usable.

3. INNER PARTS OF ASSEMBLY

Part name with a dot (.) in front as shown in the description column indicates the component of the assembly also available individually.

4. MODIFICATION NOTICE

A parts bulletin will be sent to you on all occasions when changes in parts occur, including interchangeable modifications between new parts and old ones.

5. NOTE

5-1. There are some different parts from those of production models among spare parts for the administrative reasons and common use of them with other models.

5-2. In respect of rubber hoses and vinyl tubes, please be sure to use them by cutting off according to the length mentioned on parts catalogue or what is actually required on the vehicle.

5-3. Note that the drawings on the illustration page are for ready reference of spare parts number, not to be used as an assembly manual. When assembling, use "SUZUKI SERVICE MANUAL".

6. MODEL NAME AND ENGINE NUMBER

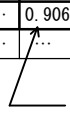
<u>MODEL</u>	<u>DESTINATION</u>	<u>TYPE</u>	<u>TRANSOM</u>	<u>ENGINE No.</u>
DF40ATL	E01	04003F	S, L	04003F-410001 ~
DF40ATHL	E01	04003F	L	04003F-410001 ~
DF40AQL	E01	04003F	L	04003F-410001 ~
DF40AST	E34	04004F	S, L	04004F-410001 ~
DF50ATL	E01	05003F	S, L	05003F-410001 ~
DF50ATHL	E01	05003F	L	05003F-410001 ~
DF60ATL	E01	06002F	S, L, X	06002F-410001 ~
DF60ATL	E40	06002F	L, X	06002F-410001 ~
DF60ATHL	E01, E40	06002F	L, X	06002F-410001 ~
DF60AQL	E01, E40	06002F	L, X	06002F-410001 ~
DF50AVT	E01	05004F	S, L	05004F-410001 ~
DF50AVTH	E01	05004F	L	05004F-410001 ~
DF60AVT	E01	06003F	S, L, X	06003F-410001 ~
DF60AVT	E40	06003F	L, X	06003F-410001 ~
DF60AVTH	E01, E40	06003F	L, X	06003F-410001 ~

MILLIMETER → INCH CONVERSION CHART

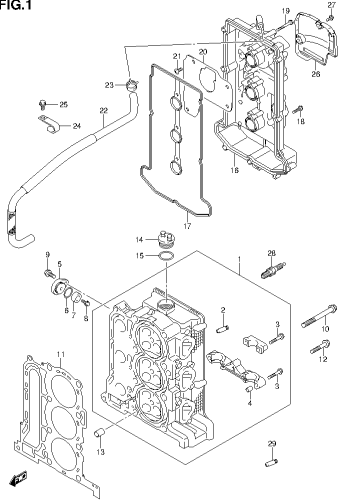
	0	1	2	3	4	5	6	7	8	9
00	.000	.039	.079	.118	.157	.197	.236	.276	.315	.354
10	.394	.433	.472	.512	.551	.591	.630	.669	.709	.748
20	.787	.827	.866	.906	.945	.984	1.024	1.063	1.102	1.142
30	1.181	1.220	1.260	1.299	1.339	1.378	1.417	1.457	1.496	1.535
40	1.575	1.614	1.654	1.693	1.732	1.772	1.811	1.850	1.890	1.929
50	1.969	2.008	2.047	2.087	2.126	2.165	2.205	2.214	2.283	2.323
60	2.362	2.402	2.441	2.480	2.520	2.559	2.598	2.638	2.677	2.717
70	2.756	2.795	2.835	2.874	2.913	2.953	2.992	3.031	3.071	3.110
80	3.150	3.189	3.228	3.268	3.307	3.346	3.386	3.425	3.465	3.504
90	3.543	3.583	3.622	3.661	3.701	3.740	3.780	3.819	3.858	3.898

How to read

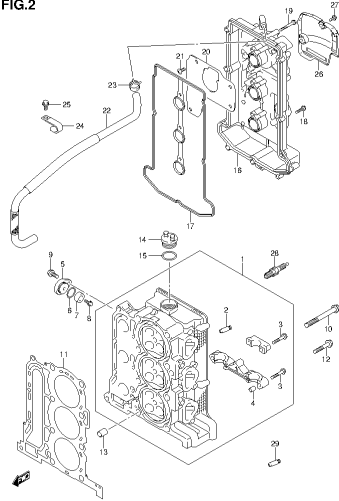
	0	1	2	3	4
00
10
20	0.906	...
30


 23 millimeters equal 0.906 inch

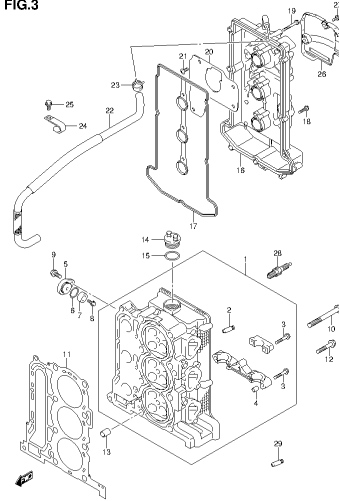
Contents are subject to change without notice or obligation.

FIG.1

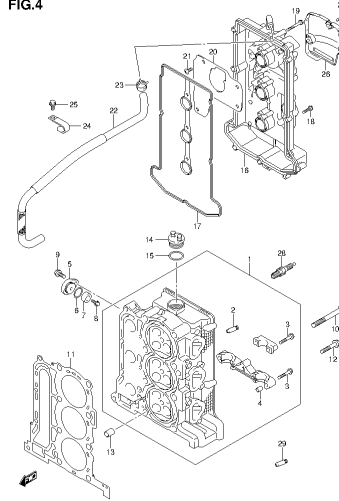
DF80A_E01_014_001
CYLINDER HEAD

FIG.2

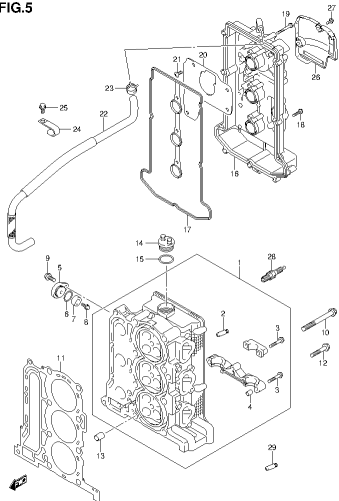
DF80A_E01_014_002
CYLINDER HEAD

FIG.3

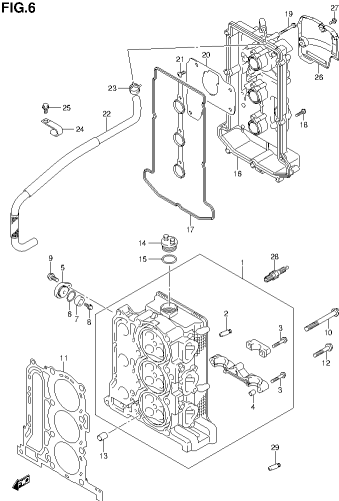
DF80A_E01_014_003
CYLINDER HEAD

FIG.4

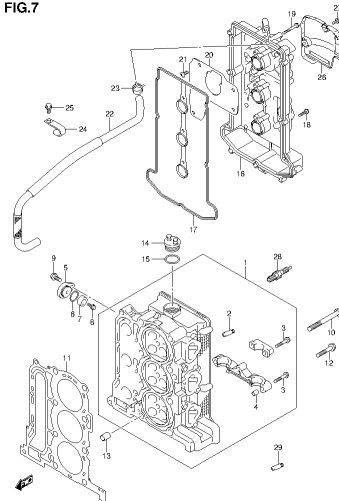
DF80A_E01_014_004
CYLINDER HEAD

FIG.5

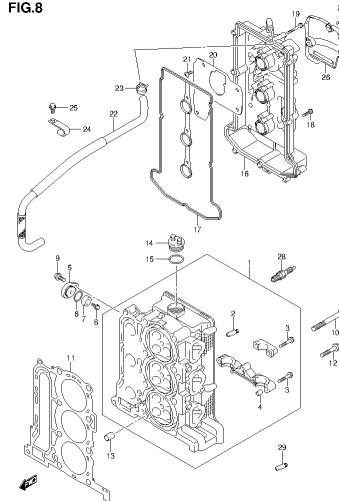
DF80A_E01_014_005
CYLINDER HEAD

FIG.6

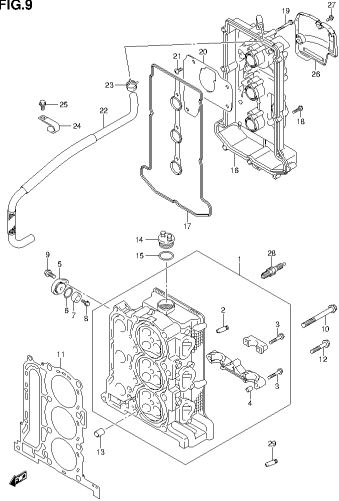
DF80A_E01_014_006
CYLINDER HEAD

FIG.7

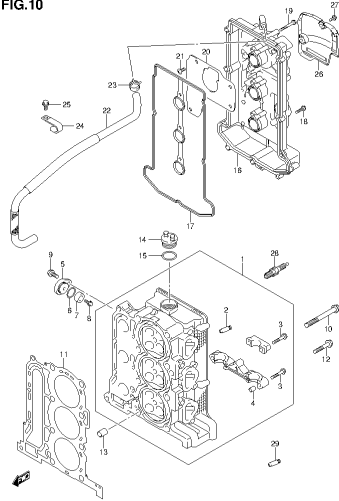
DF80A_E01_014_007
CYLINDER HEAD

FIG.8

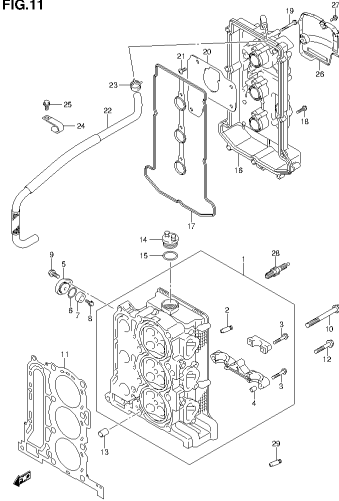
DF80A_E01_014_008
CYLINDER HEAD

FIG.9

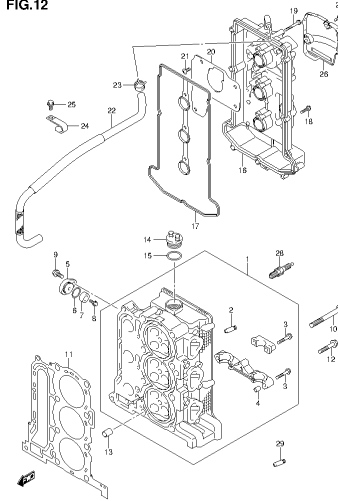
DF80A_E01_014_009
CYLINDER HEAD

FIG.10

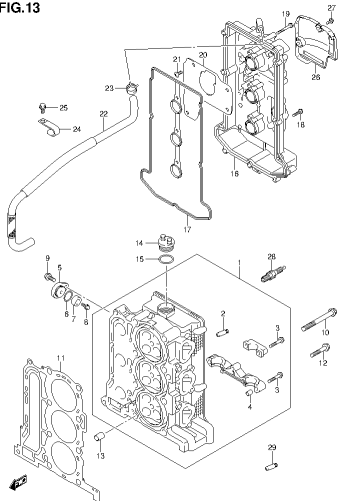
DF80A_E01_014_010
CYLINDER HEAD

FIG.11

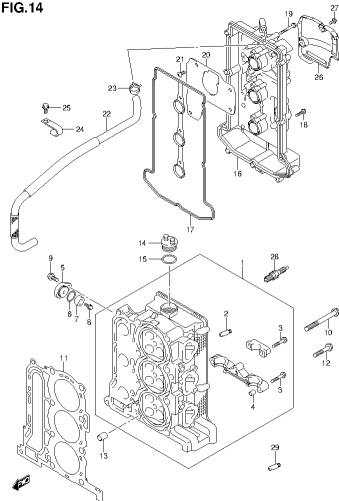
DF80A_E01_014_011
CYLINDER HEAD

FIG.12

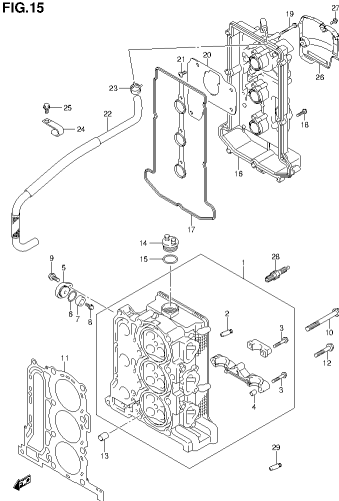
DF80A_E01_014_012
CYLINDER HEAD

FIG.13

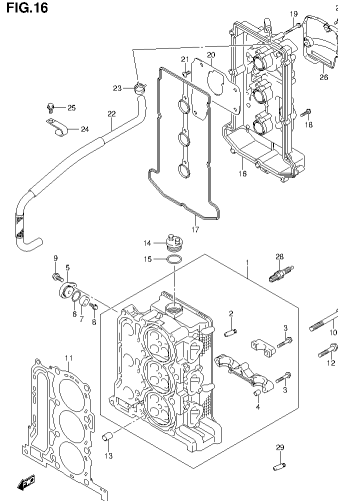
DF80A_E01_014_013
CYLINDER HEAD

FIG.14

DF80A_E01_014_014
CYLINDER HEAD

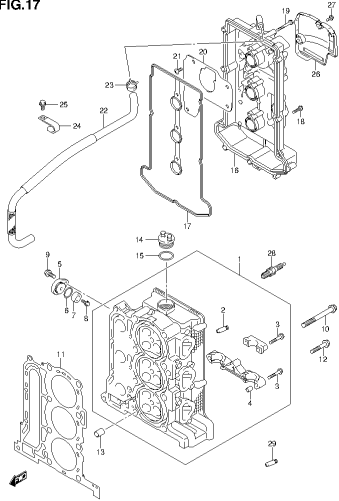
FIG.15

DF80A_E01_014_015
CYLINDER HEAD

FIG.16

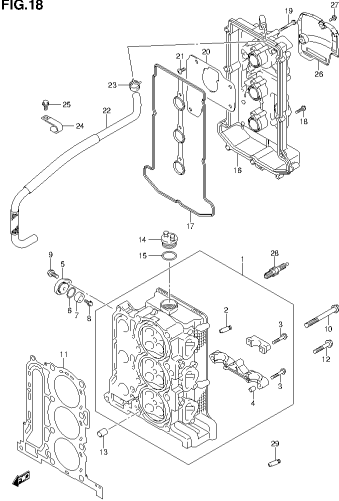
DF80A_E01_014_016
CYLINDER HEAD

FIG.17



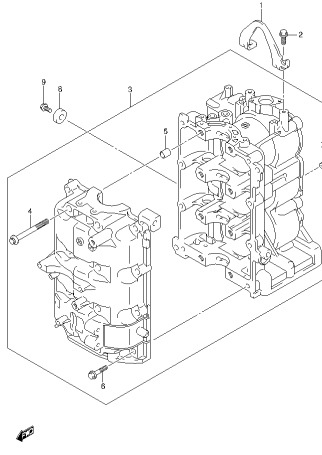
DF80A_E01_014_017
CYLINDER HEAD

FIG.18



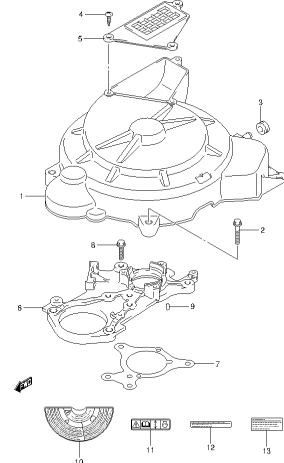
DF80A_E01_014_018
CYLINDER HEAD

FIG.19



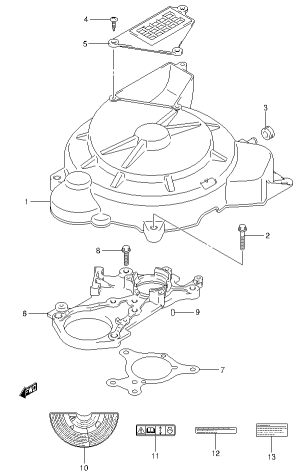
DF80A_E01_014_019
CYLINDER BLOCK

FIG.20



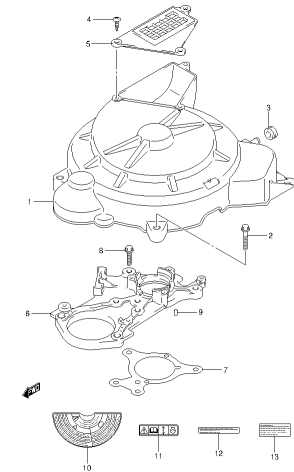
DF80A_E01_014_020
RING GEAR COVER

FIG.21



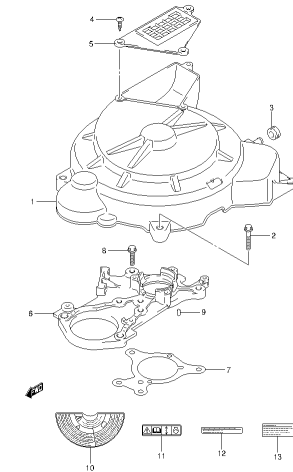
DF80A_E01_014_021
RING GEAR COVER

FIG.22



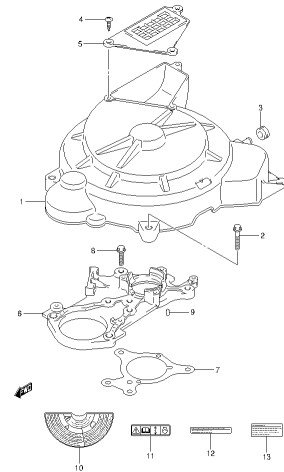
DF80A_E01_014_022
RING GEAR COVER

FIG.23

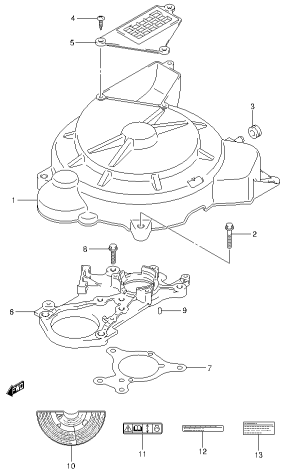


DF80A_E01_014_023
RING GEAR COVER

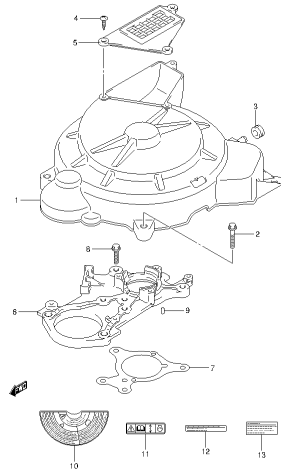
FIG.24



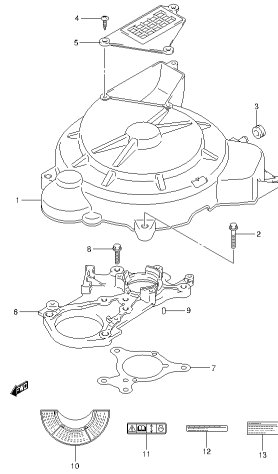
DF80A_E01_014_024
RING GEAR COVER

FIG.25

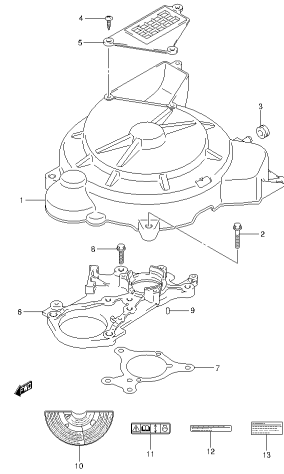
DF80A_E01_014_025
RING GEAR COVER

FIG.26

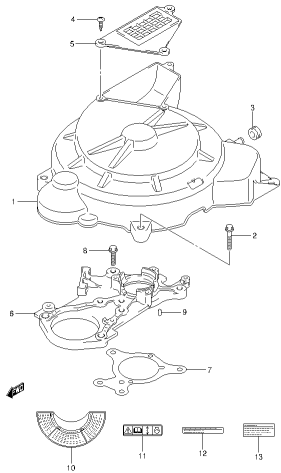
DF80A_E01_014_026
RING GEAR COVER

FIG.27

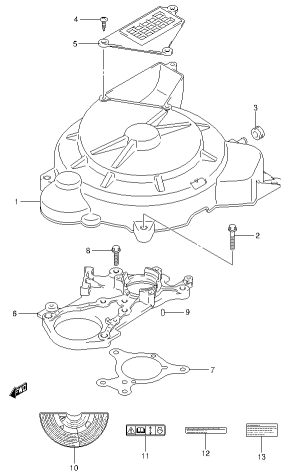
DF80A_E01_014_027
RING GEAR COVER

FIG.28

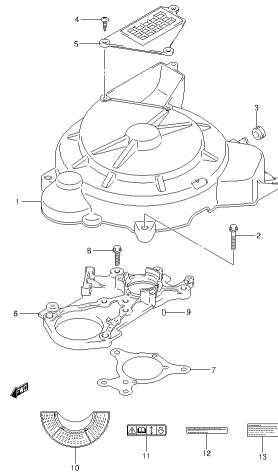
DF80A_E01_014_028
RING GEAR COVER

FIG.29

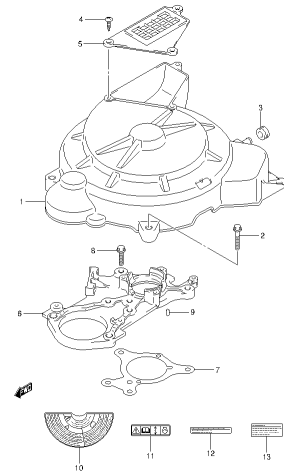
DF80A_E01_014_029
RING GEAR COVER

FIG.30

DF80A_E01_014_030
RING GEAR COVER

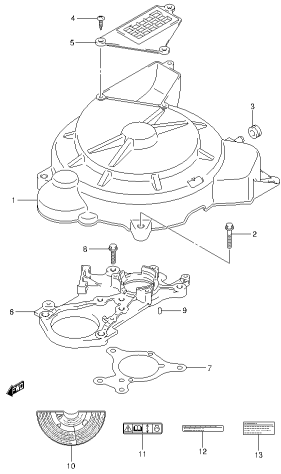
FIG.31

DF80A_E01_014_031
RING GEAR COVER

FIG.32

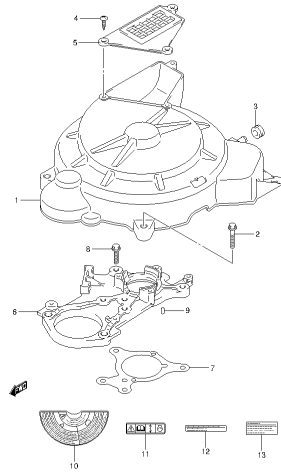
DF80A_E01_014_032
RING GEAR COVER

FIG.33



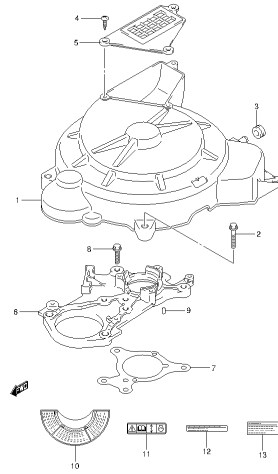
DF80A_E01_014_033
RING GEAR COVER

FIG.34



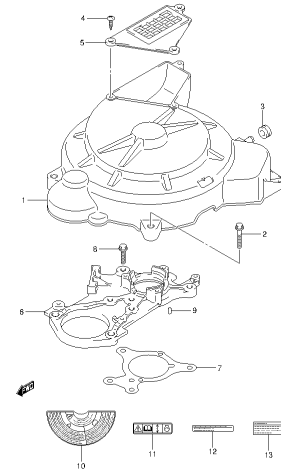
DF80A_E01_014_034
RING GEAR COVER

FIG.35



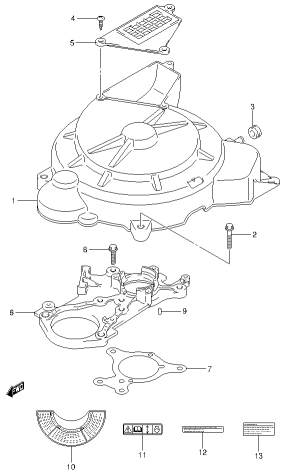
DF80A_E01_014_035
RING GEAR COVER

FIG.36



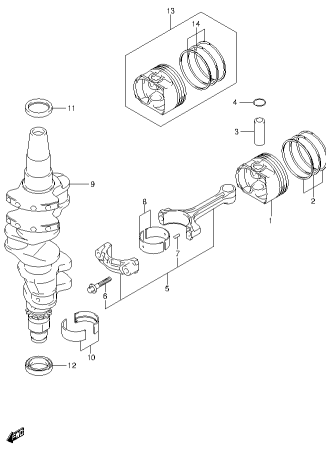
DF80A_E01_014_036
RING GEAR COVER

FIG.37



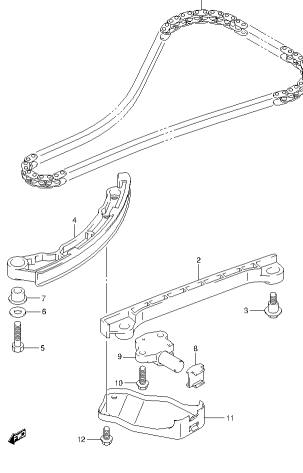
DF80A_E01_014_037
RING GEAR COVER

FIG.38



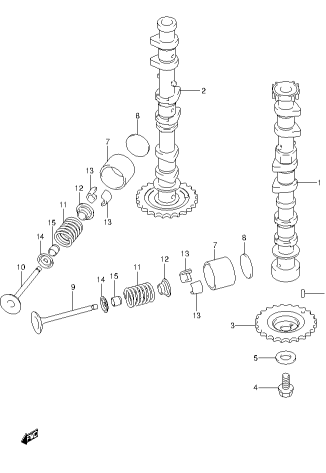
DF80A_E01_014_038
CRANKSHAFT

FIG.39



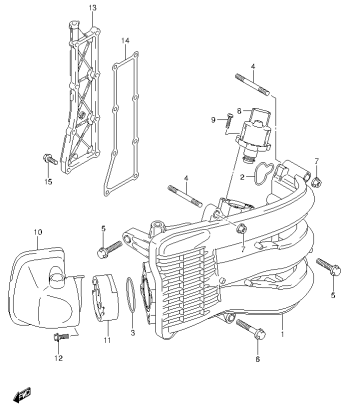
DF80A_E01_014_039
TIMING CHAIN

FIG.40



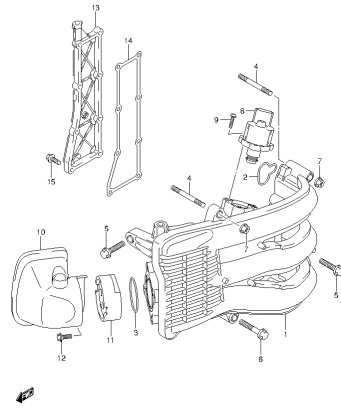
DF80A_E01_014_040
CAMSHAFT

FIG.41



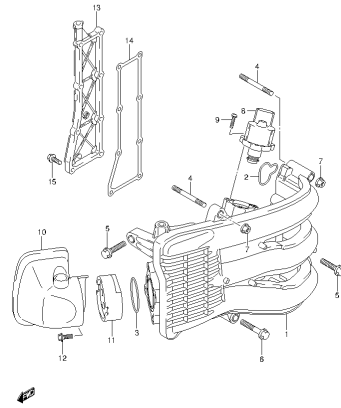
DF80A_E01_014_041
INTAKE MANIFOLD/SILENCER/EXHAUST

FIG.42



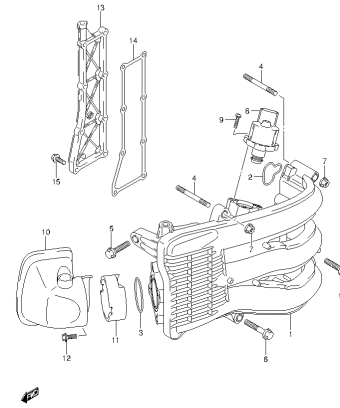
DF80A_E01_014_042
INTAKE MANIFOLD/SILENCER/EXHAUST

FIG.43



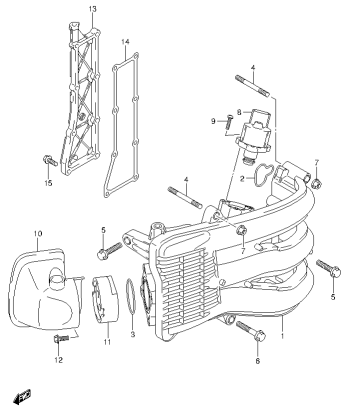
DF80A_E01_014_043
INTAKE MANIFOLD/SILENCER/EXHAUST

FIG.44



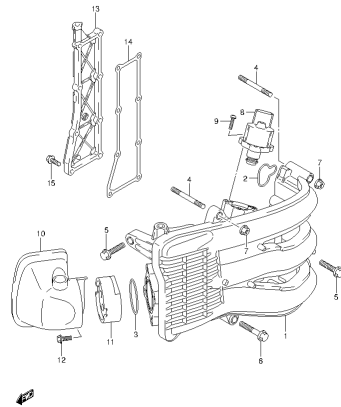
DF80A_E01_014_044
INTAKE MANIFOLD/SILENCER/EXHAUST

FIG.45



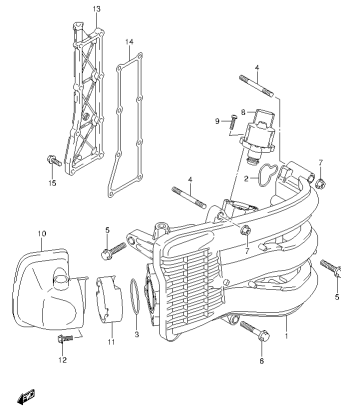
DF80A_E01_014_045
INTAKE MANIFOLD/SILENCER/EXHAUST

FIG.46



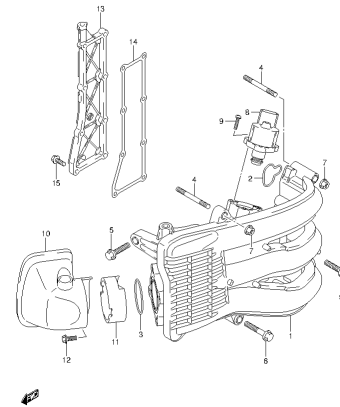
DF80A_E01_014_046
INTAKE MANIFOLD/SILENCER/EXHAUST

FIG.47



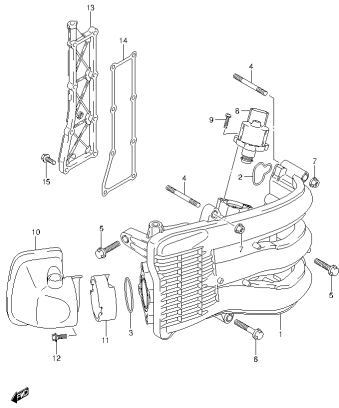
DF80A_E01_014_047
INTAKE MANIFOLD/SILENCER/EXHAUST

FIG.48



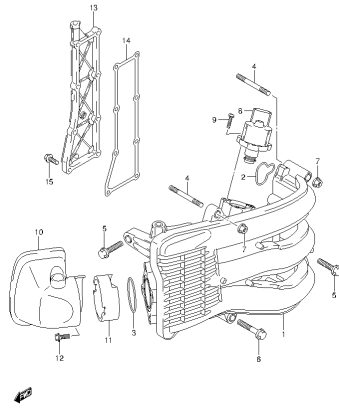
DF80A_E01_014_048
INTAKE MANIFOLD/SILENCER/EXHAUST

FIG.49



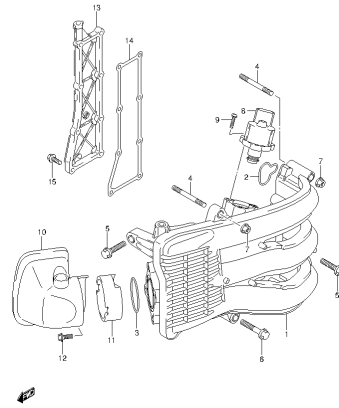
DF80A_E01_014_049
INTAKE MANIFOLD/SILENCER/EXHAUST

FIG.50



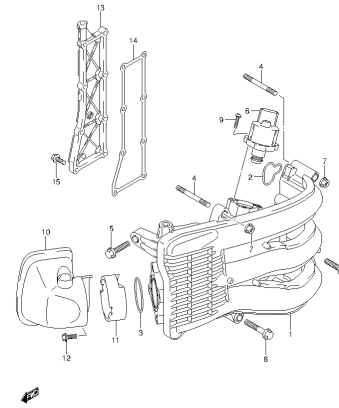
DF80A_E01_014_050
INTAKE MANIFOLD/SILENCER/EXHAUST

FIG.51



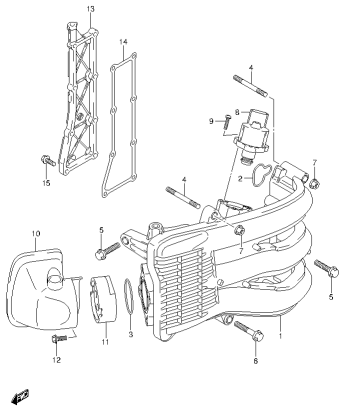
DF80A_E01_014_051
INTAKE MANIFOLD/SILENCER/EXHAUST

FIG.52



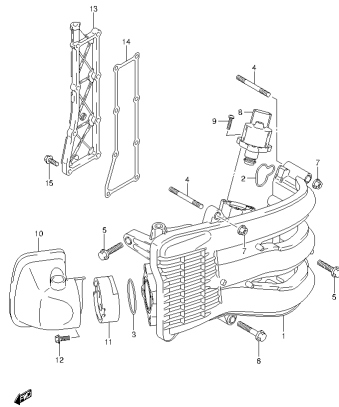
DF80A_E01_014_052
INTAKE MANIFOLD/SILENCER/EXHAUST

FIG.53



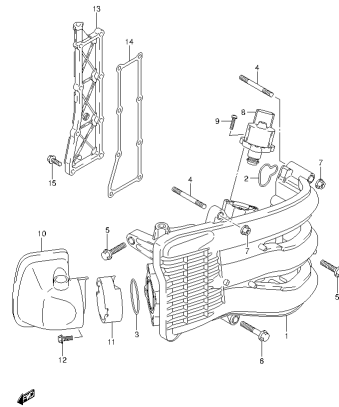
DF80A_E01_014_053
INTAKE MANIFOLD/SILENCER/EXHAUST

FIG.54



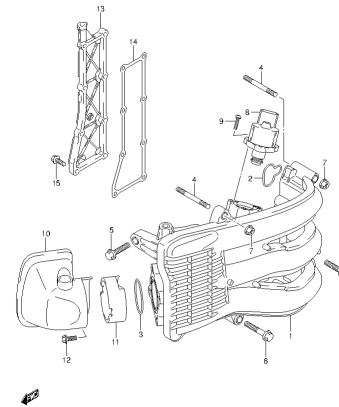
DF80A_E01_014_054
INTAKE MANIFOLD/SILENCER/EXHAUST

FIG.55



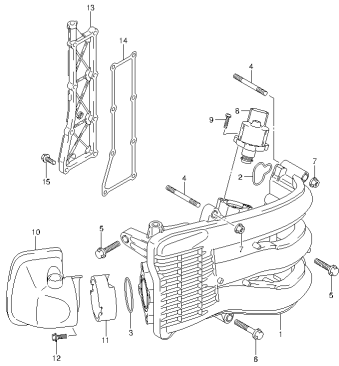
DF80A_E01_014_055
INTAKE MANIFOLD/SILENCER/EXHAUST

FIG.56



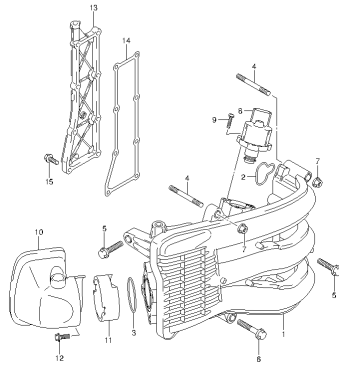
DF80A_E01_014_056
INTAKE MANIFOLD/SILENCER/EXHAUST

FIG.57



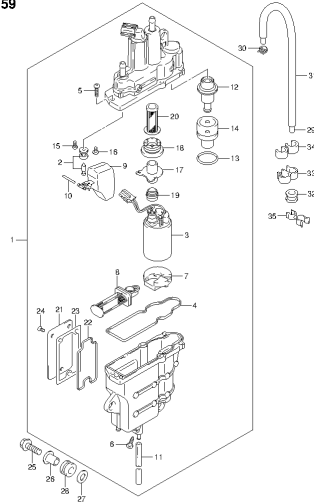
DF80A_E01_014_057
INTAKE MANIFOLD/SILENCER/EXHAUST

FIG.58



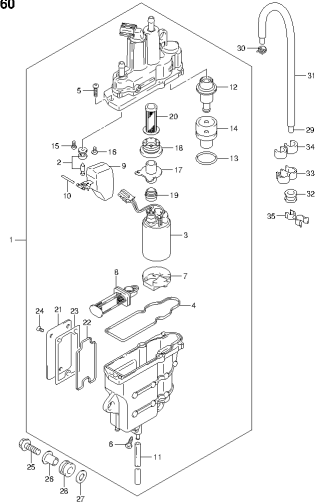
DF80A_E01_014_058
INTAKE MANIFOLD/SILENCER/EXHAUST

FIG.59



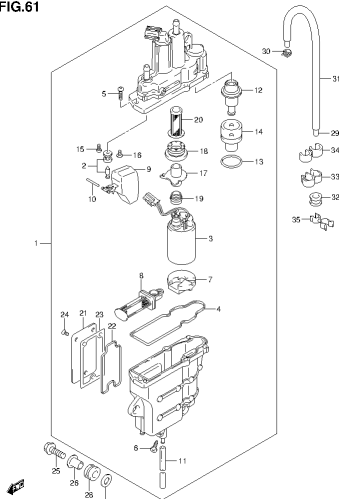
DF80A_E01_014_059
FUEL VAPOR SEPARATOR

FIG.60



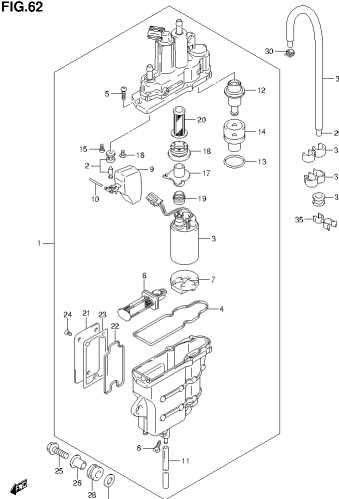
DF80A_E01_014_060
FUEL VAPOR SEPARATOR

FIG.61



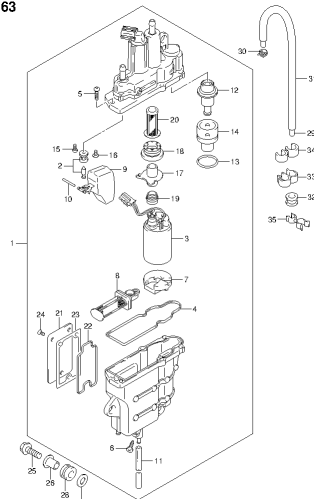
DF80A_E01_014_061
FUEL VAPOR SEPARATOR

FIG.62



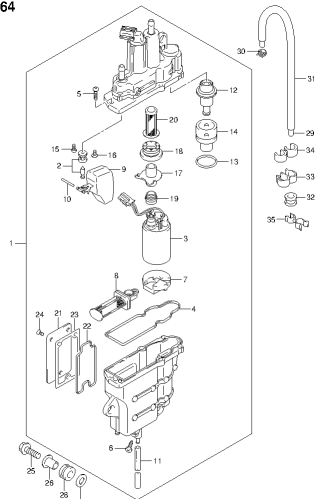
DF80A_E01_014_062
FUEL VAPOR SEPARATOR

FIG.63



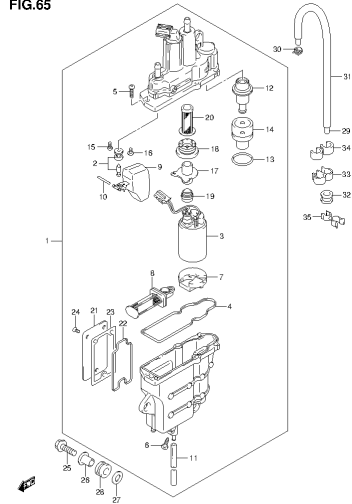
DF80A_E01_014_063
FUEL VAPOR SEPARATOR

FIG.64



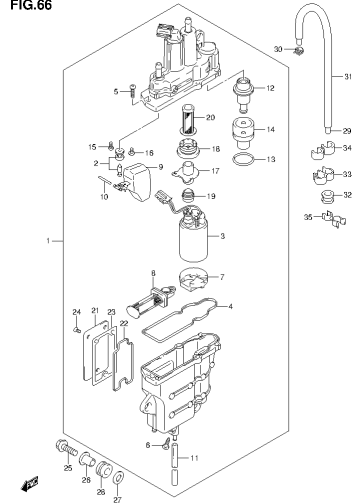
DF80A_E01_014_064
FUEL VAPOR SEPARATOR

FIG.65



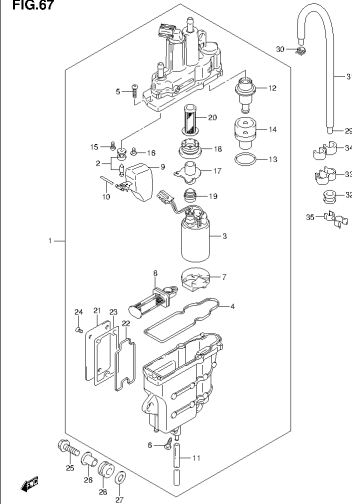
DF80A_E01_014_965
FUEL VAPOR SEPARATOR

FIG.66



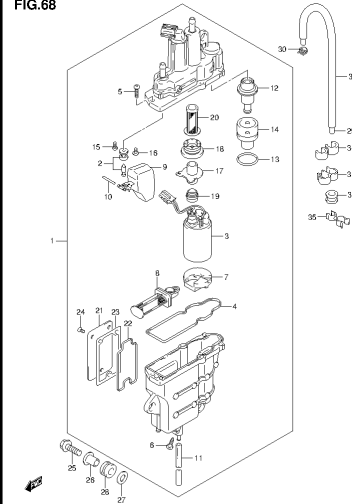
DF80A_E01_014_966
FUEL VAPOR SEPARATOR

FIG.67



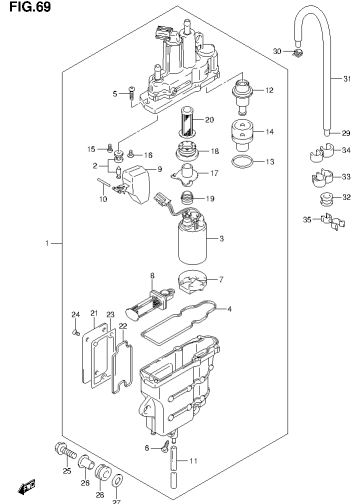
DF80A_E01_014_967
FUEL VAPOR SEPARATOR

FIG.68



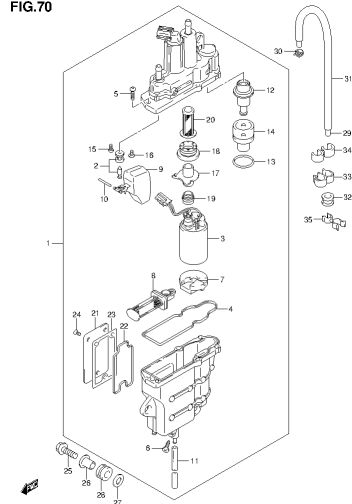
DF80A_E01_014_968
FUEL VAPOR SEPARATOR

FIG.69



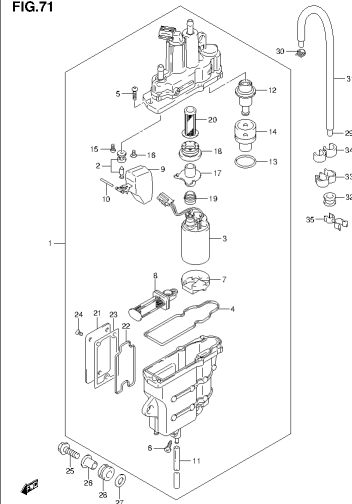
DF80A_E01_014_969
FUEL VAPOR SEPARATOR

FIG.70



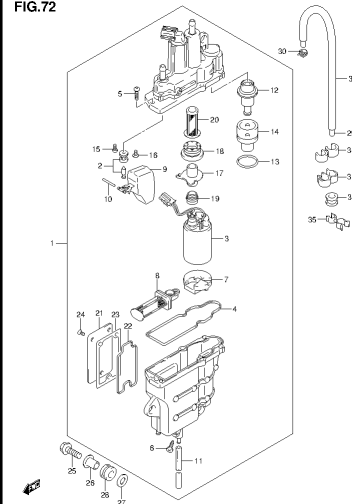
DF80A_E01_014_970
FUEL VAPOR SEPARATOR

FIG.71

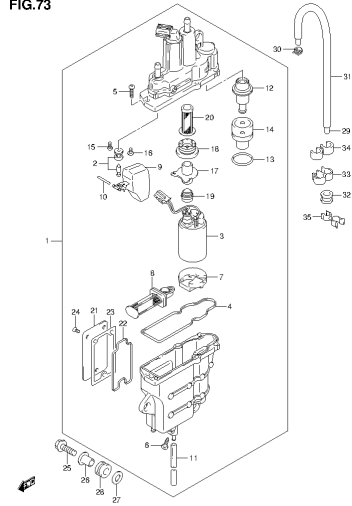


DF80A_E01_014_971
FUEL VAPOR SEPARATOR

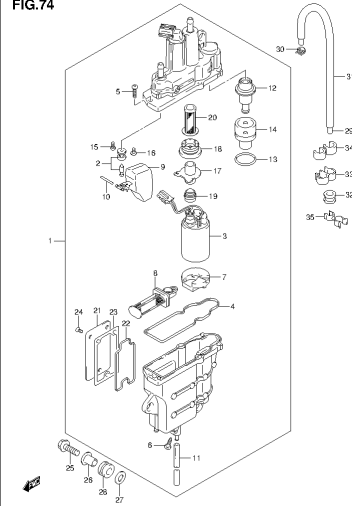
FIG.72



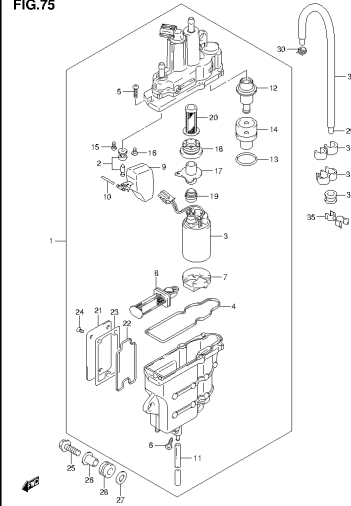
DF80A_E01_014_972
FUEL VAPOR SEPARATOR

FIG.73

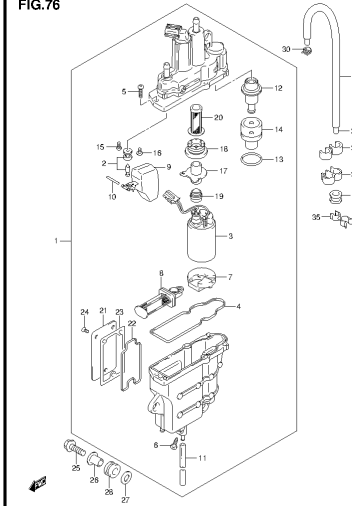
DF80A_E01_014_973
FUEL VAPOR SEPARATOR

FIG.74

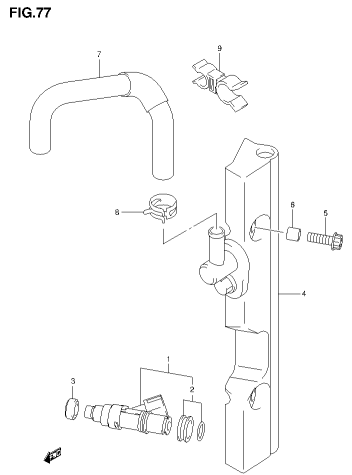
DF80A_E01_014_974
FUEL VAPOR SEPARATOR

FIG.75

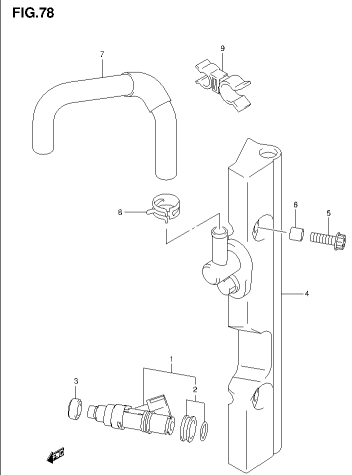
DF80A_E01_014_975
FUEL VAPOR SEPARATOR

FIG.76

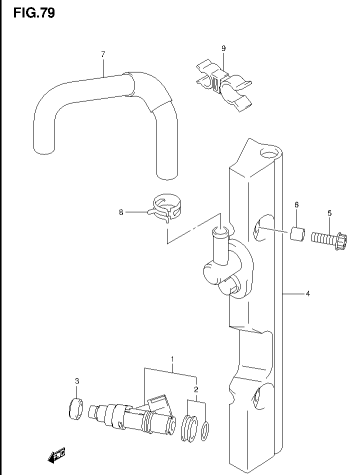
DF80A_E01_014_976
FUEL VAPOR SEPARATOR

FIG.77

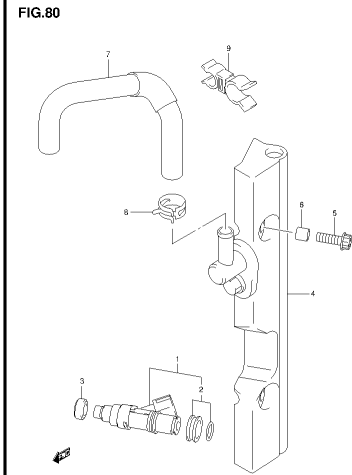
DF80A_E01_014_977
FUEL INJECTOR

FIG.78

DF80A_E01_014_978
FUEL INJECTOR

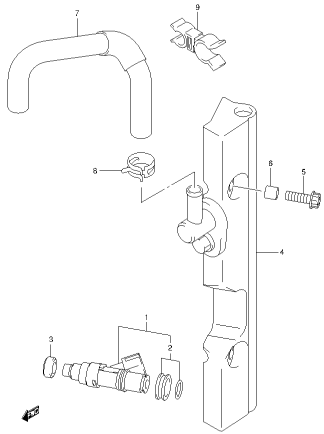
FIG.79

DF80A_E01_014_979
FUEL INJECTOR

FIG.80

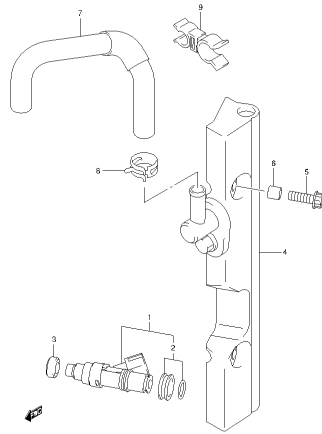
DF80A_E01_014_980
FUEL INJECTOR

FIG.81



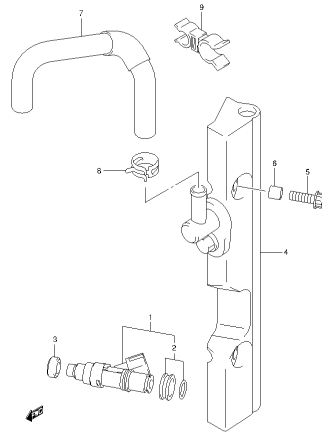
DF80A_E01_014_081
FUEL INJECTOR

FIG.82



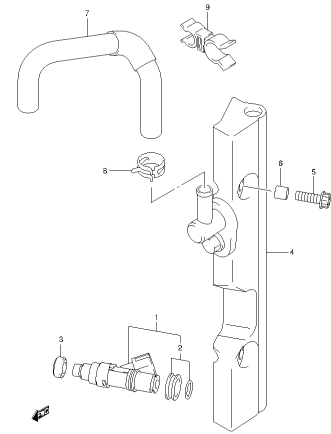
DF80A_E01_014_082
FUEL INJECTOR

FIG.83



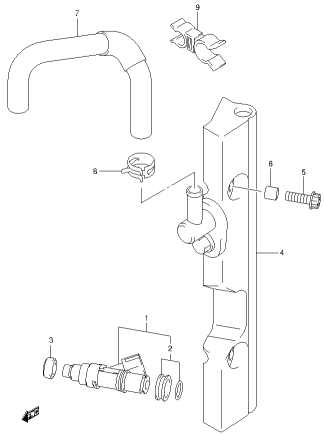
DF80A_E01_014_083
FUEL INJECTOR

FIG.84



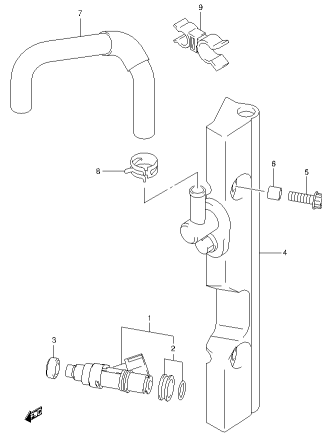
DF80A_E01_014_084
FUEL INJECTOR

FIG.85



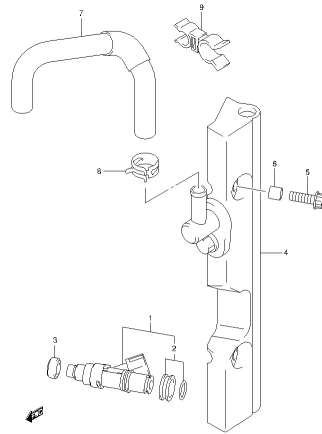
DF80A_E01_014_085
FUEL INJECTOR

FIG.86



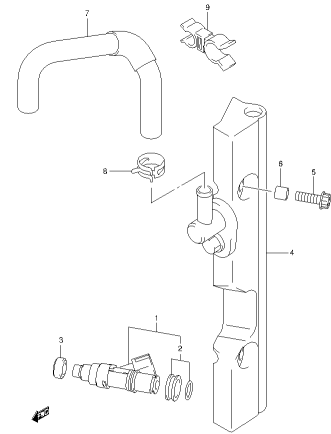
DF80A_E01_014_086
FUEL INJECTOR

FIG.87



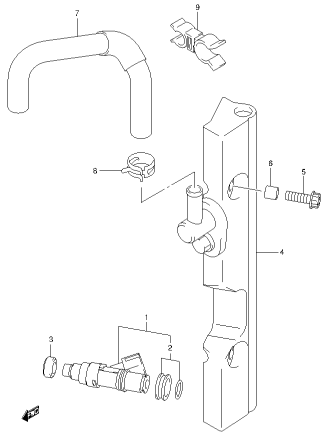
DF80A_E01_014_087
FUEL INJECTOR

FIG.88



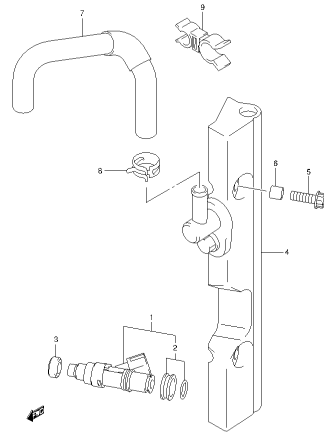
DF80A_E01_014_088
FUEL INJECTOR

FIG.89



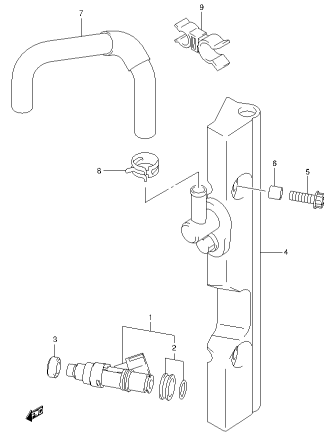
DF80A_E01_014_089
FUEL INJECTOR

FIG.90



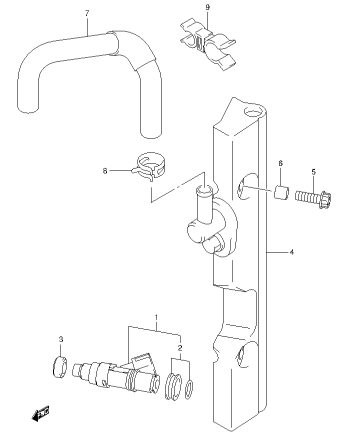
DF80A_E01_014_090
FUEL INJECTOR

FIG.91



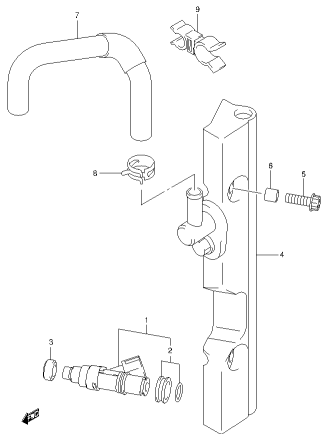
DF80A_E01_014_091
FUEL INJECTOR

FIG.92



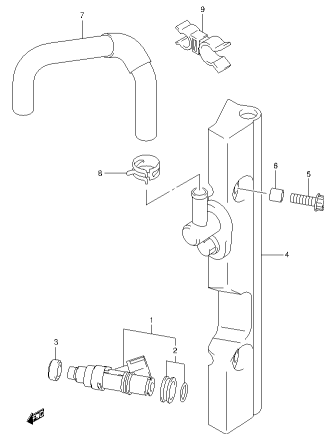
DF80A_E01_014_092
FUEL INJECTOR

FIG.93



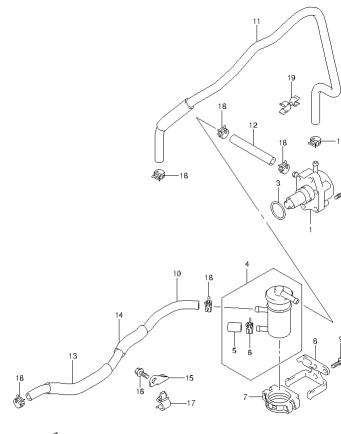
DF80A_E01_014_093
FUEL INJECTOR

FIG.94



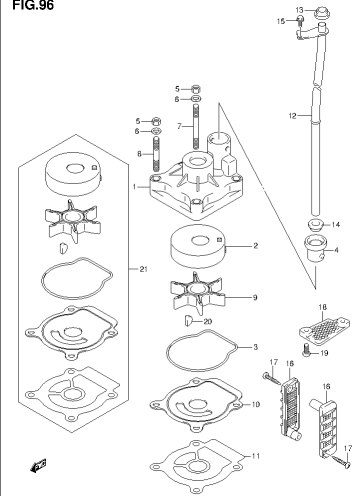
DF80A_E01_014_094
FUEL INJECTOR

FIG.95



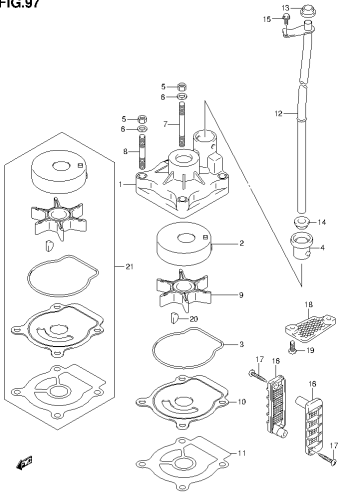
DF80A_E01_014_095
FUEL PUMP

FIG.96



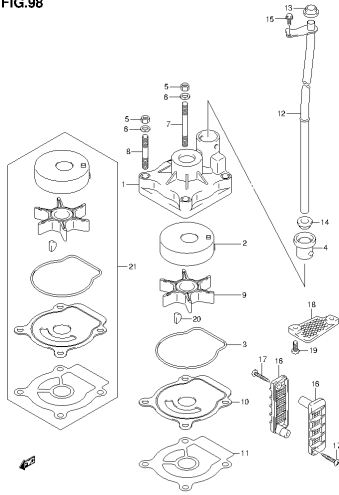
DF80A_E01_014_096
WATER PUMP

FIG.97



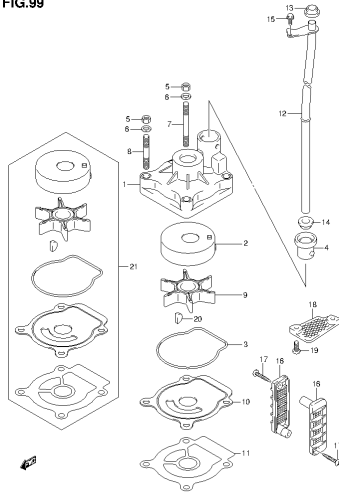
DF80A_E01_014_097
WATER PUMP

FIG.98



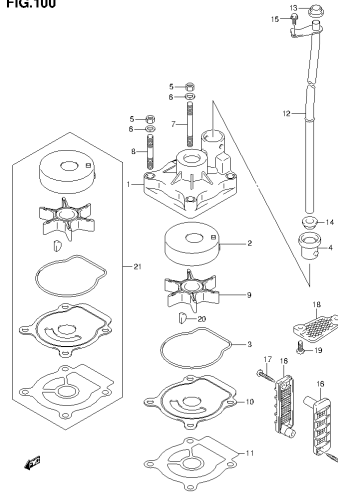
DF80A_E01_014_098
WATER PUMP

FIG.99



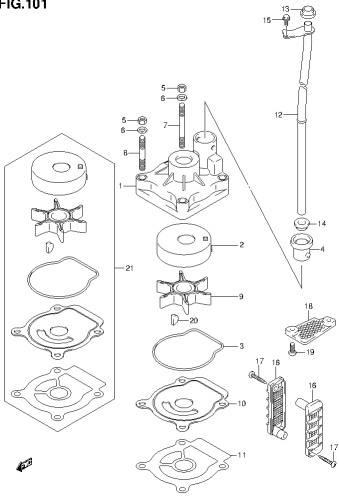
DF80A_E01_014_099
WATER PUMP

FIG.100



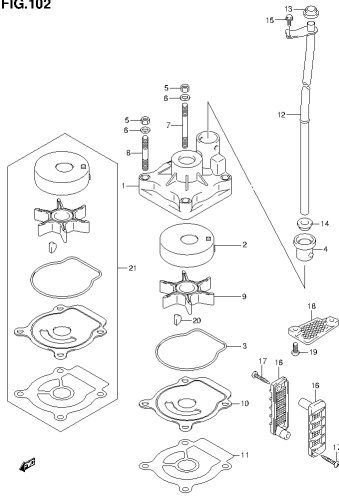
DF80A_E01_014_100
WATER PUMP

FIG.101



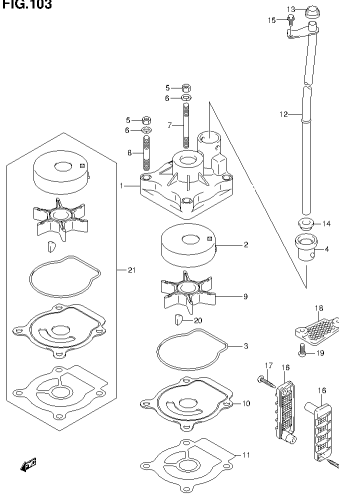
DF80A_E01_014_101
WATER PUMP

FIG.102



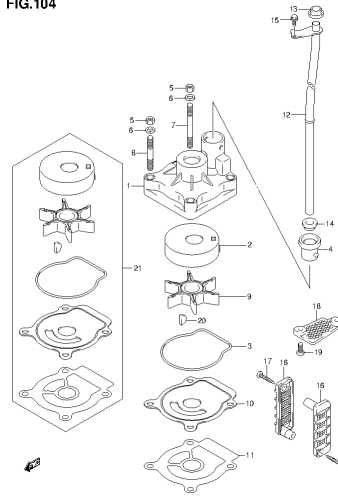
DF80A_E01_014_102
WATER PUMP

FIG.103



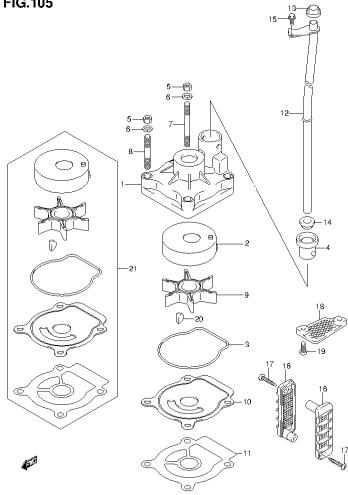
DF80A_E01_014_103
WATER PUMP

FIG.104



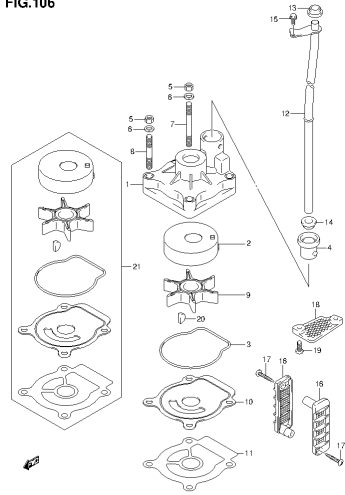
DF80A_E01_014_104
WATER PUMP

FIG.105



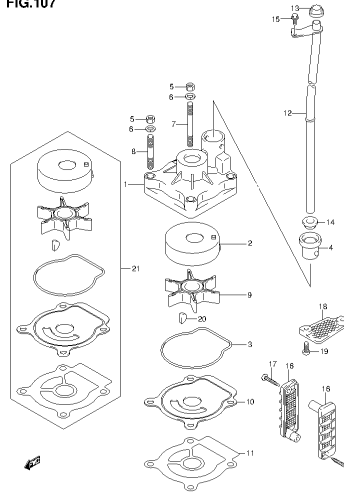
DF80A_E01_014_105
WATER PUMP

FIG.106



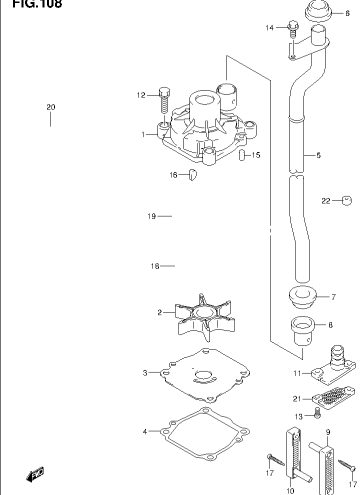
DF80A_E01_014_106
WATER PUMP

FIG.107



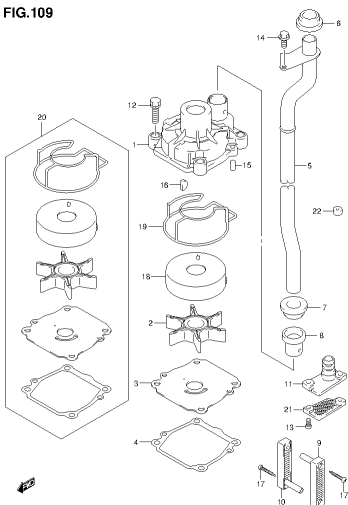
DF80A_E01_014_107
WATER PUMP

FIG.108



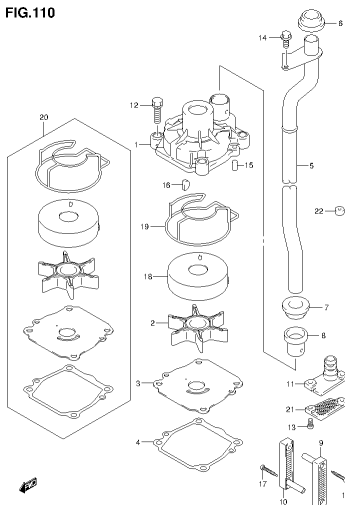
DF80A_E01_014_108
WATER PUMP

FIG.109



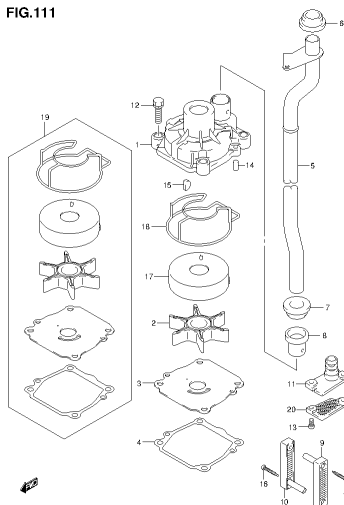
DF80A_E01_014_109
WATER PUMP

FIG.110



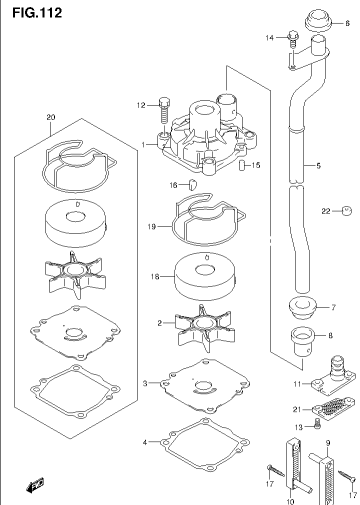
DF80A_E01_014_110
WATER PUMP

FIG.111



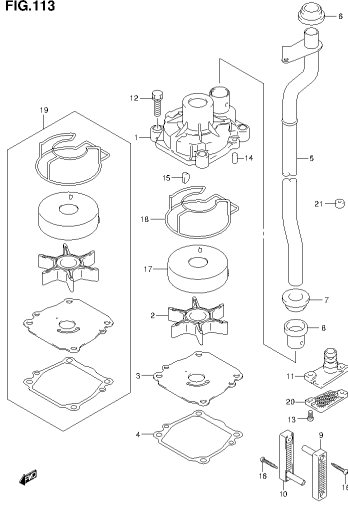
DF80A_E01_014_111
WATER PUMP

FIG.112



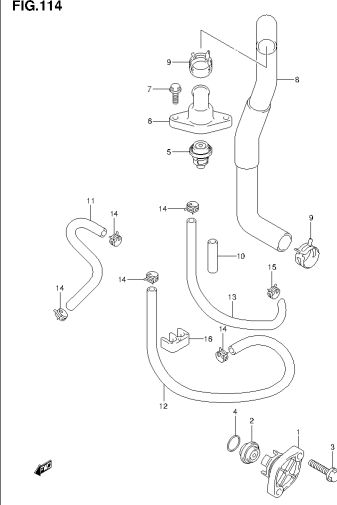
DF80A_E01_014_112
WATER PUMP

FIG.113



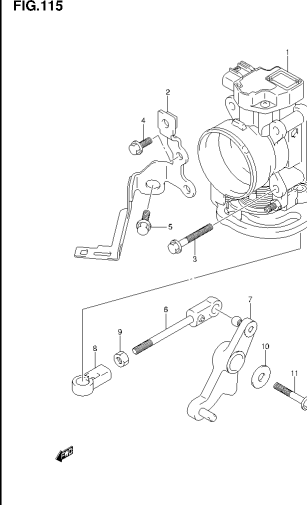
DF80A_E01_014_113
WATER PUMP

FIG.114



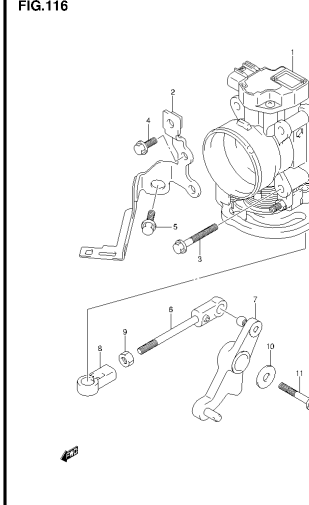
DF80A_E01_014_114
THERMOSTAT

FIG.115



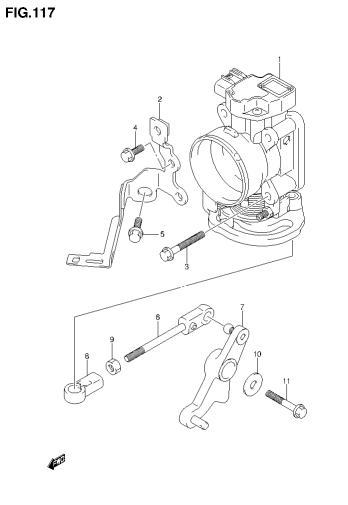
DF80A_E01_014_115
THROTTLE BODY

FIG.116



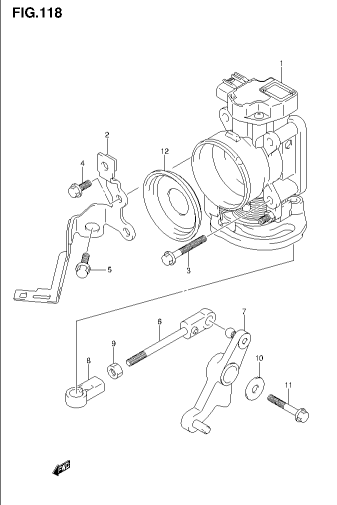
DF80A_E01_014_116
THROTTLE BODY

FIG.117



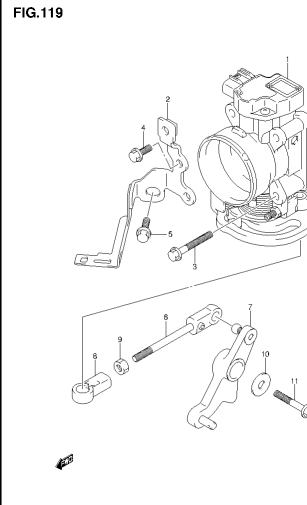
DF80A_E01_014_117
THROTTLE BODY

FIG.118



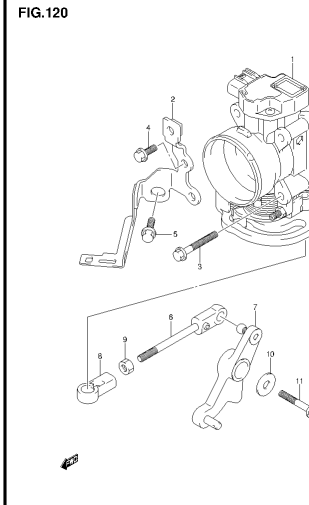
DF80A_E01_014_118
THROTTLE BODY

FIG.119



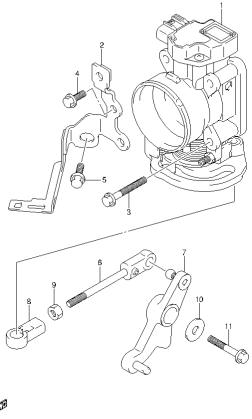
DF80A_E01_014_119
THROTTLE BODY

FIG.120



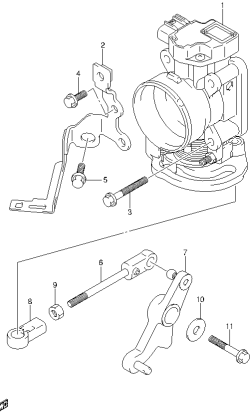
DF80A_E01_014_120
THROTTLE BODY

FIG.121



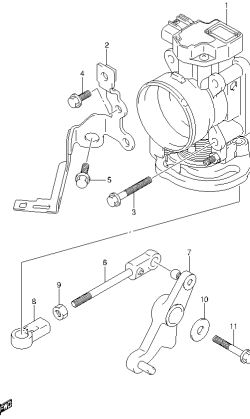
DF80A_E01_014_121
THROTTLE BODY

FIG.122



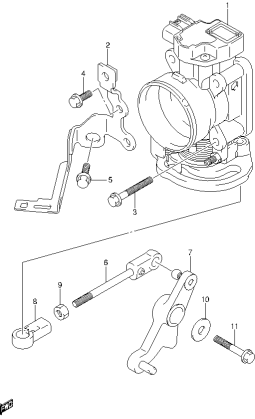
DF80A_E01_014_122
THROTTLE BODY

FIG.123



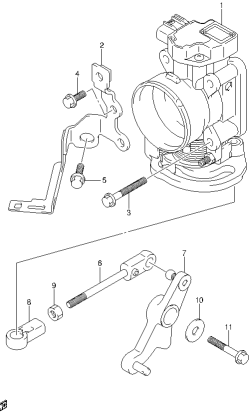
DF80A_E01_014_123
THROTTLE BODY

FIG.124



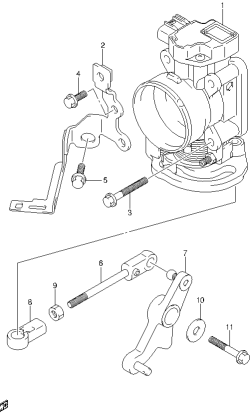
DF80A_E01_014_124
THROTTLE BODY

FIG.125



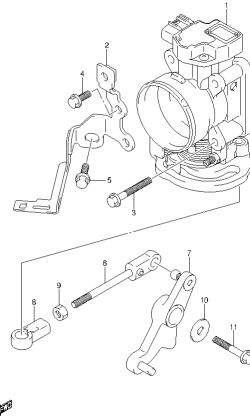
DF80A_E01_014_125
THROTTLE BODY

FIG.126



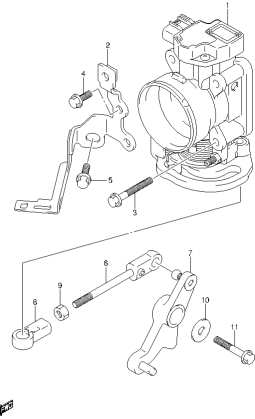
DF80A_E01_014_126
THROTTLE BODY

FIG.127



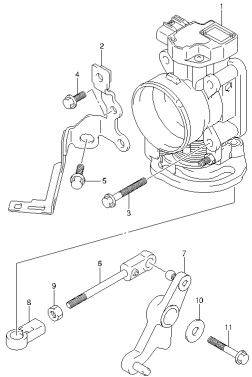
DF80A_E01_014_127
THROTTLE BODY

FIG.128



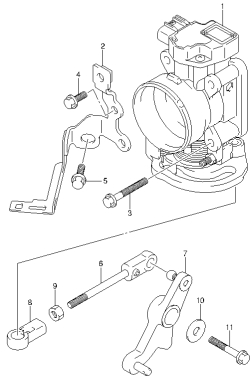
DF80A_E01_014_128
THROTTLE BODY

FIG.129



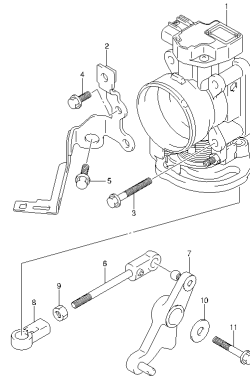
DF80A_E01_014_129
THROTTLE BODY

FIG.130



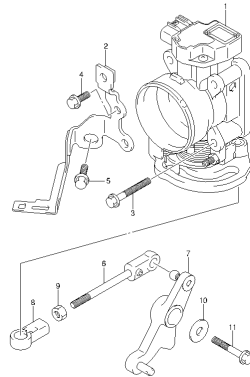
DF80A_E01_014_130
THROTTLE BODY

FIG.131



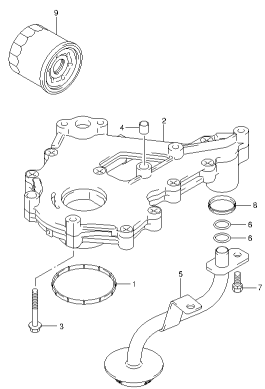
DF80A_E01_014_131
THROTTLE BODY

FIG.132



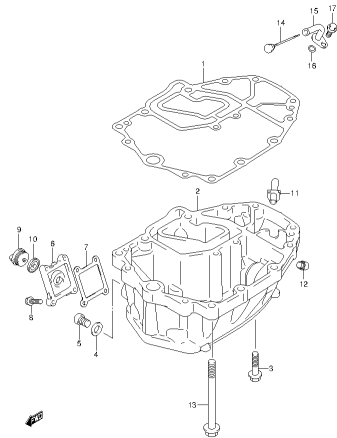
DF80A_E01_014_132
THROTTLE BODY

FIG.133



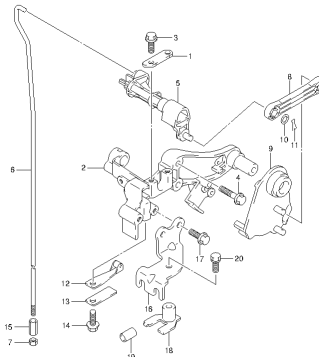
DF80A_E01_014_133
OIL PUMP

FIG.134



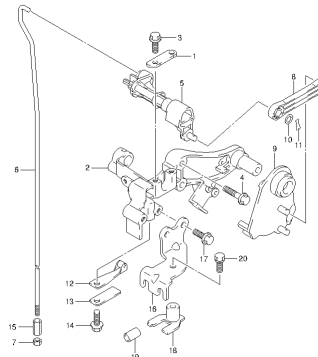
DF80A_E01_014_134
OIL PAN

FIG.135



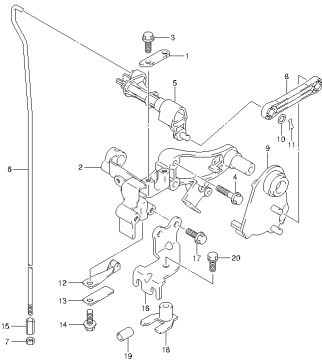
DF80A_E01_014_135
CLUTCH SHAFT

FIG.136



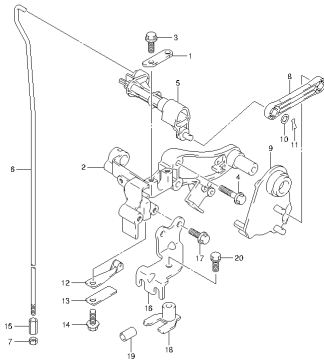
DF80A_E01_014_136
CLUTCH SHAFT

FIG.137



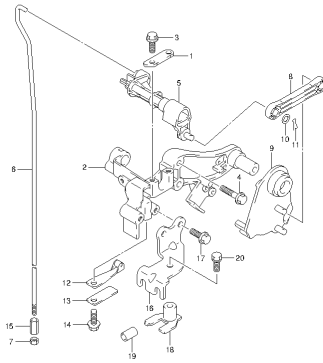
DF80A_E01_014_137
CLUTCH SHAFT

FIG.138



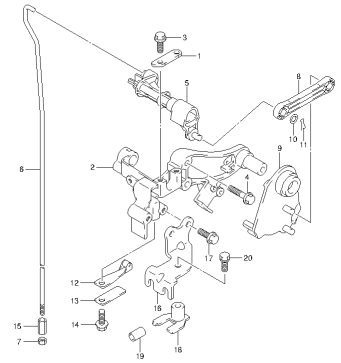
DF80A_E01_014_138
CLUTCH SHAFT

FIG.139



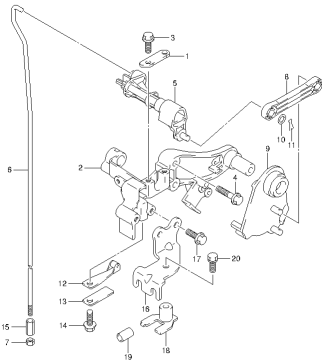
DF80A_E01_014_139
CLUTCH SHAFT

FIG.140



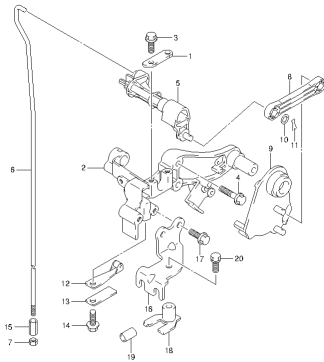
DF80A_E01_014_140
CLUTCH SHAFT

FIG.141



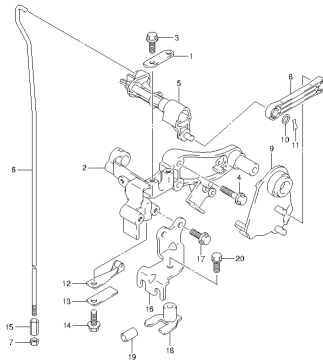
DF80A_E01_014_141
CLUTCH SHAFT

FIG.142



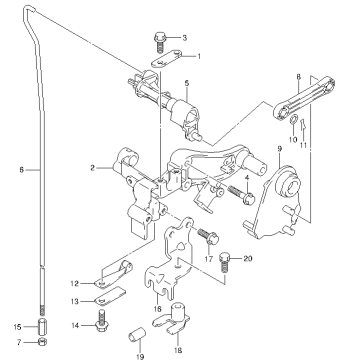
DF80A_E01_014_142
CLUTCH SHAFT

FIG.143



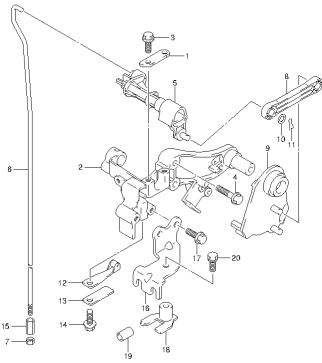
DF80A_E01_014_143
CLUTCH SHAFT

FIG.144



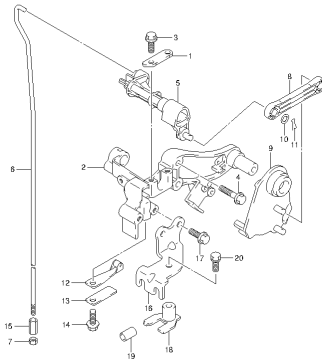
DF80A_E01_014_144
CLUTCH SHAFT

FIG.145



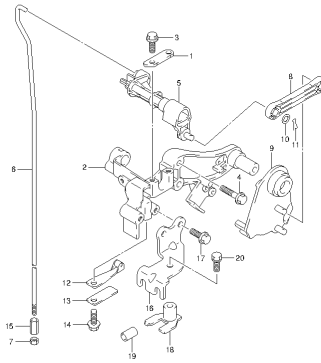
DF80A_E01_014_145
CLUTCH SHAFT

FIG.146



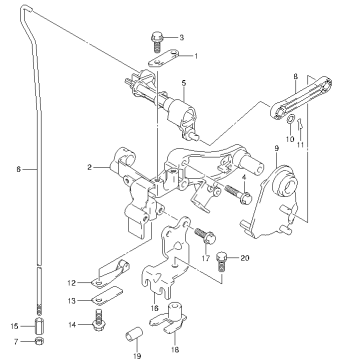
DF80A_E01_014_146
CLUTCH SHAFT

FIG.147



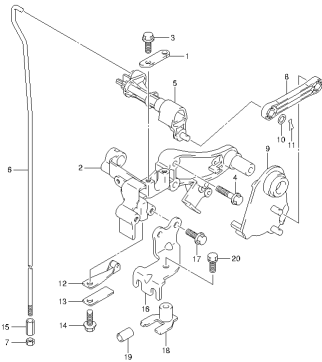
DF80A_E01_014_147
CLUTCH SHAFT

FIG.148



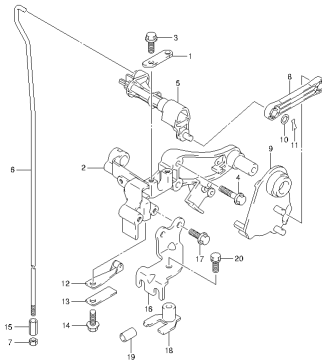
DF80A_E01_014_148
CLUTCH SHAFT

FIG.149



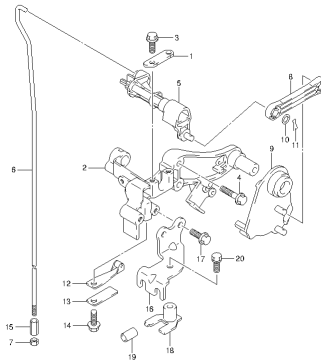
DF80A_E01_014_149
CLUTCH SHAFT

FIG.150



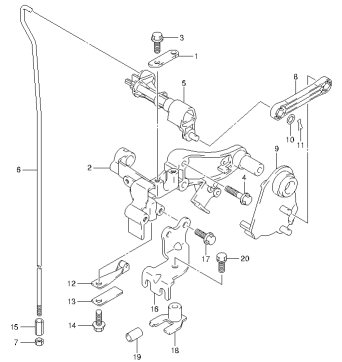
DF80A_E01_014_150
CLUTCH SHAFT

FIG.151



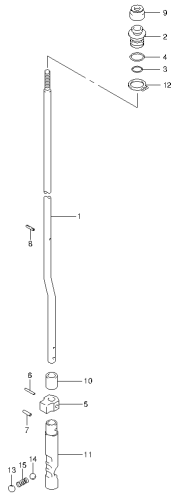
DF80A_E01_014_151
CLUTCH SHAFT

FIG.152



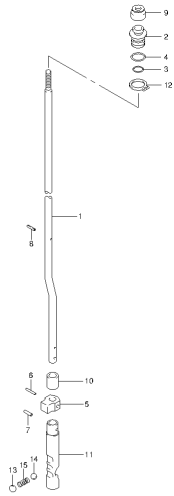
DF80A_E01_014_152
CLUTCH SHAFT

FIG.153



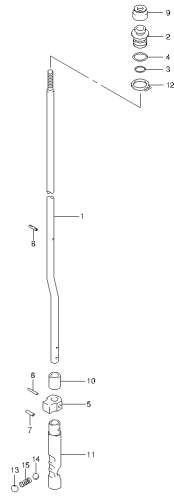
DF80A_E01_014_153
CLUTCH FC02

FIG.154



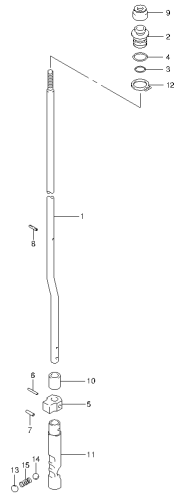
DF80A_E01_014_154
CLUTCH FC02

FIG.155



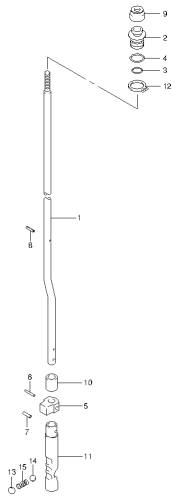
DF80A_E01_014_155
CLUTCH FC02

FIG.156



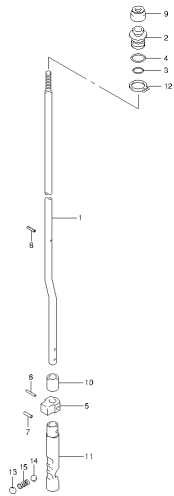
DF80A_E01_014_156
CLUTCH FC02

FIG.157



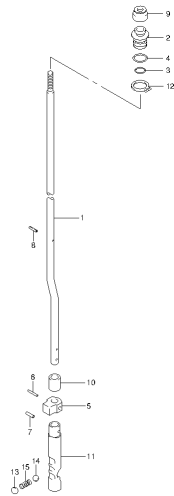
DF80A_E01_014_157
CLUTCH FC02

FIG.158



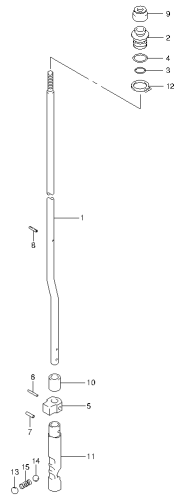
DF80A_E01_014_158
CLUTCH FC02

FIG.159



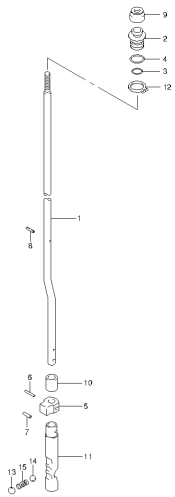
DF80A_E01_014_159
CLUTCH FC02

FIG.160



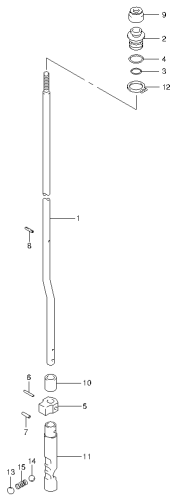
DF80A_E01_014_180
CLUTCH FC02

FIG.161



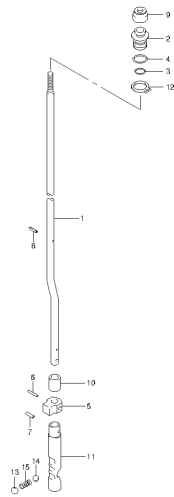
DF80A_ER1_014_181
CLUTCH FCR

FIG.162



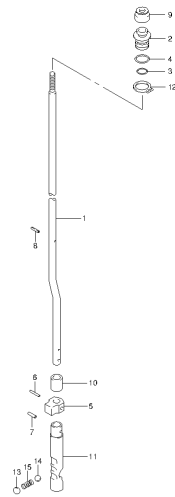
DF80A_ER1_014_182
CLUTCH FCR

FIG.163



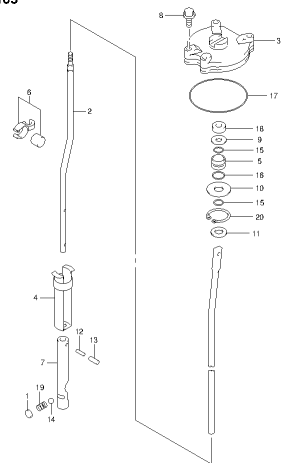
DF80A_ER1_014_183
CLUTCH FCR

FIG.164



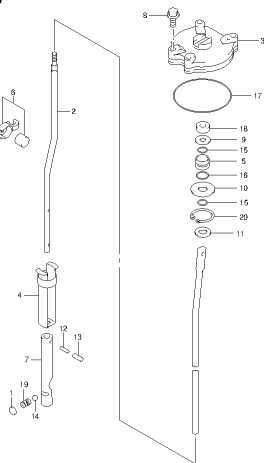
DF80A_ER1_014_184
CLUTCH FCR

FIG.165



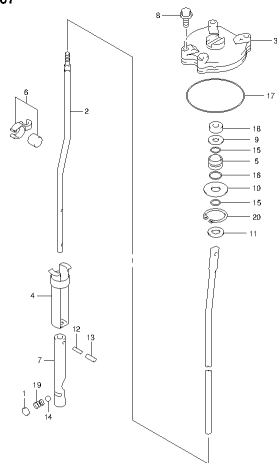
DF80A_ER1_014_185
SHIFT FCR

FIG.166



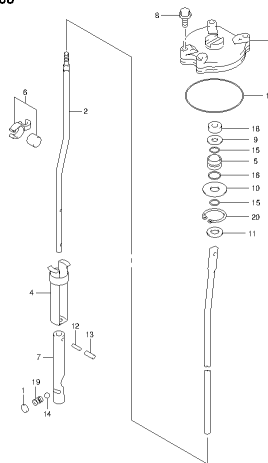
DF80A_ER1_014_186
SHIFT FCR

FIG.167



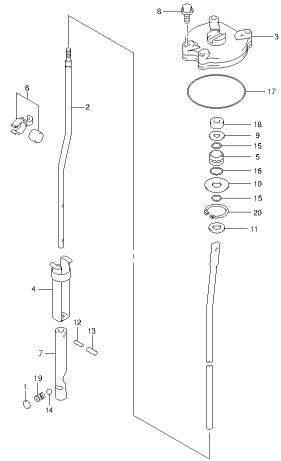
DF80A_ER1_014_187
SHIFT FCR

FIG.168



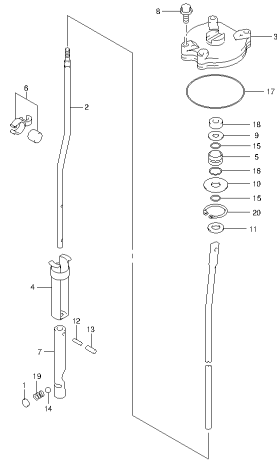
DF80A_ER1_014_188
SHIFT FCR

FIG.169



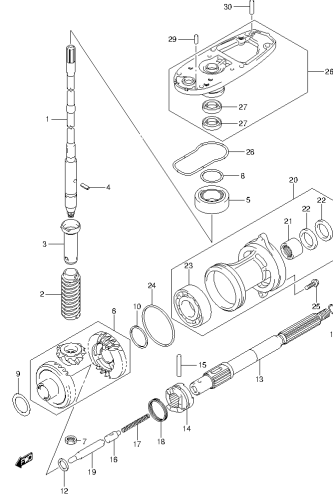
DF80A_E01_014_169
SHAFT RCD

FIG.170



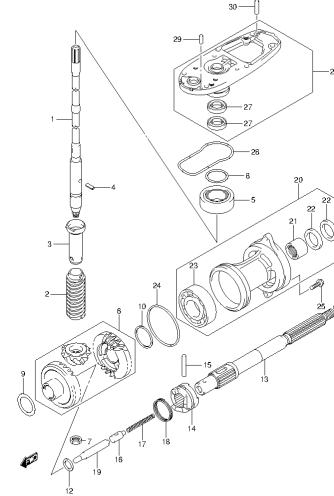
DF80A_E01_014_170
SHAFT RCD

FIG.171



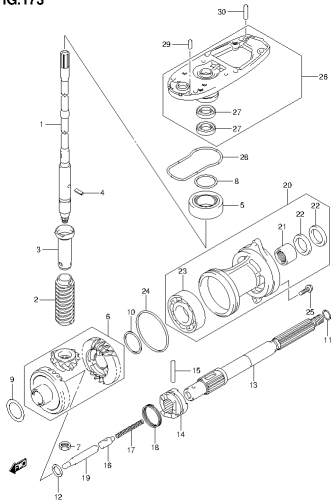
DF80A_E01_014_171
TRANSMISSION

FIG.172



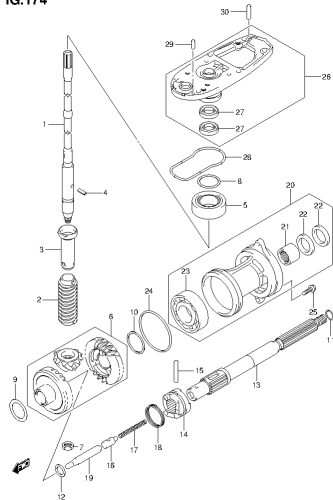
DF80A_E01_014_172
TRANSMISSION

FIG.173



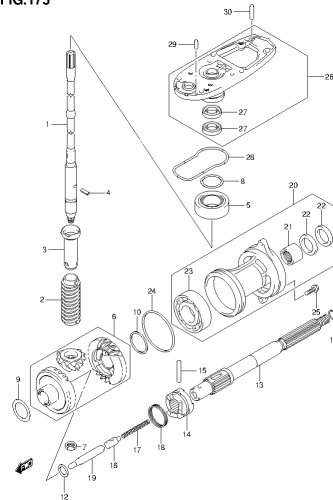
DF80A_E01_014_173
TRANSMISSION

FIG.174



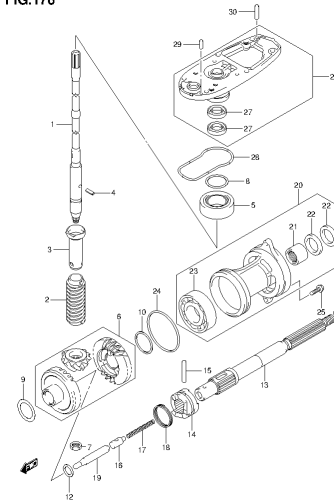
DF80A_E01_014_174
TRANSMISSION

FIG.175



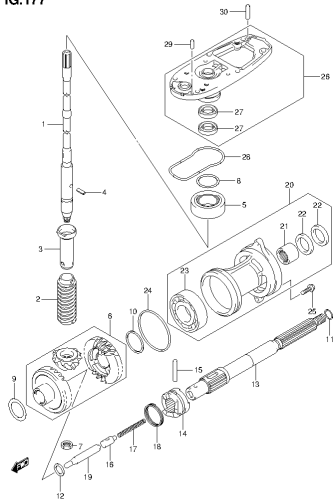
DF80A_E01_014_175
TRANSMISSION

FIG.176



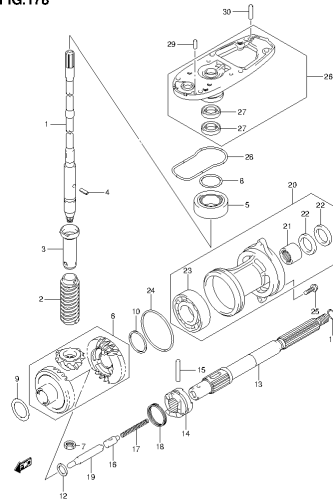
DF80A_E01_014_176
TRANSMISSION

FIG.177



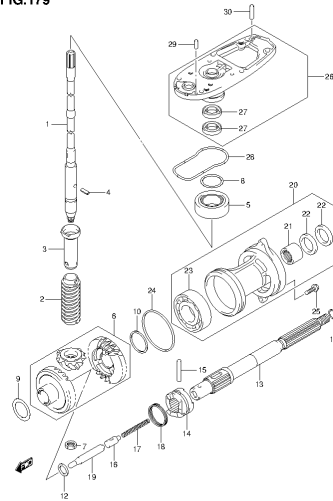
DF80A_E01_014_177
TRANSMISSION

FIG.178



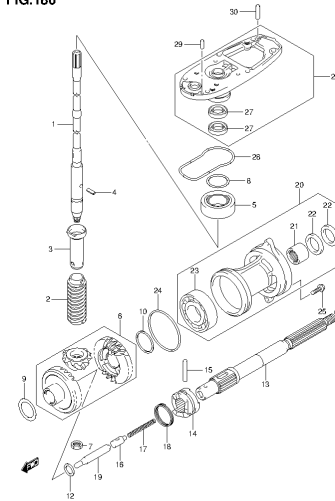
DF80A_E01_014_178
TRANSMISSION

FIG.179



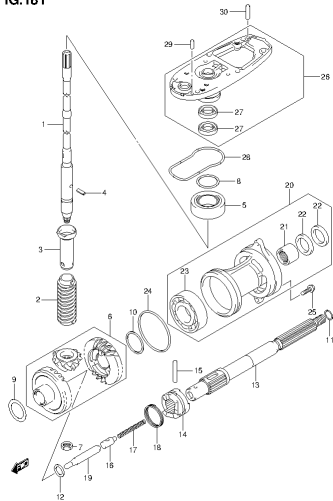
DF80A_E01_014_179
TRANSMISSION

FIG.180



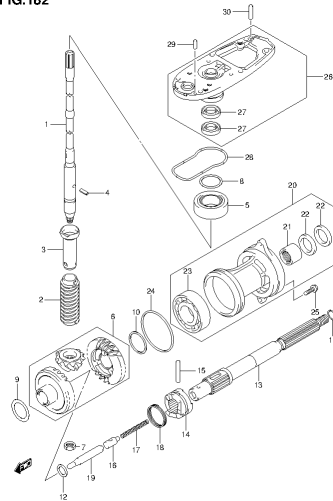
DF80A_E01_014_180
TRANSMISSION

FIG.181



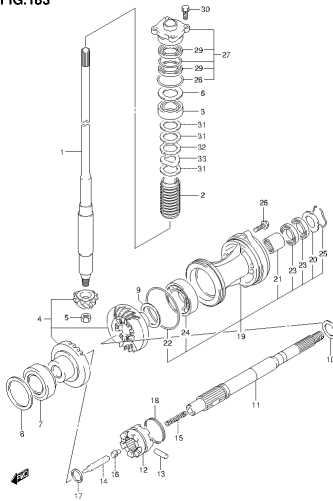
DF80A_E01_014_181
TRANSMISSION

FIG.182



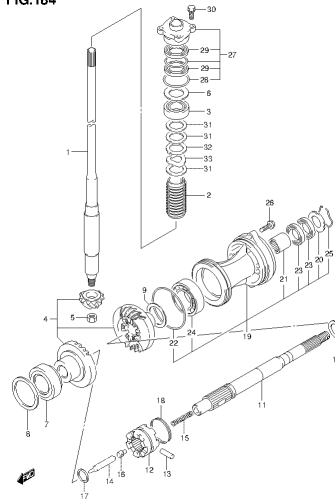
DF80A_E01_014_182
TRANSMISSION

FIG.183



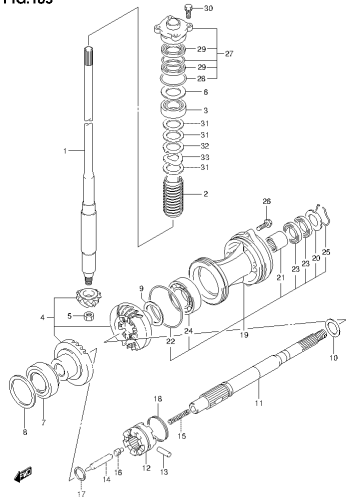
DF80A_E01_014_183
TRANSMISSION

FIG.184



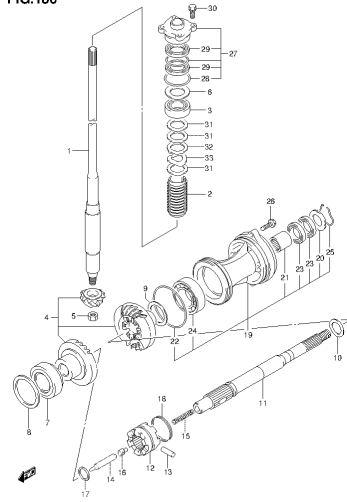
DF80A_E01_014_184
TRANSMISSION

FIG.185



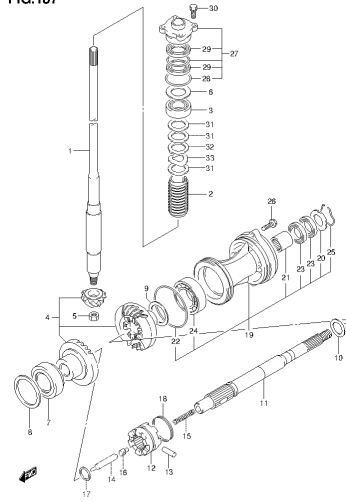
DF80A_E01_014_185
TRANSMISSION

FIG.186



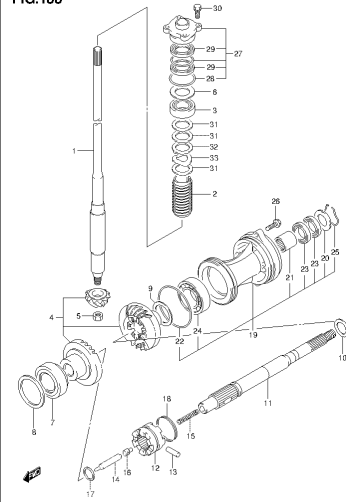
DF80A_E01_014_186
TRANSMISSION

FIG.187



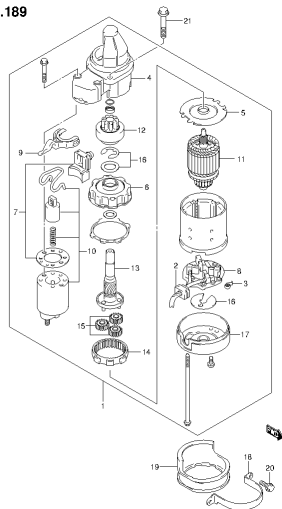
DF80A_E01_014_187
TRANSMISSION

FIG.188



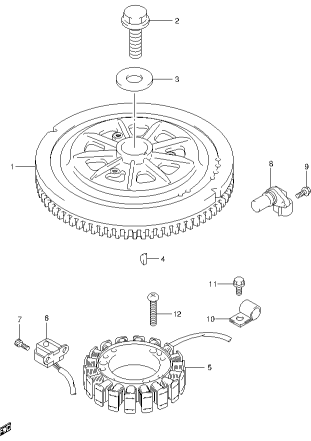
DF80A_E01_014_188
TRANSMISSION

FIG.189



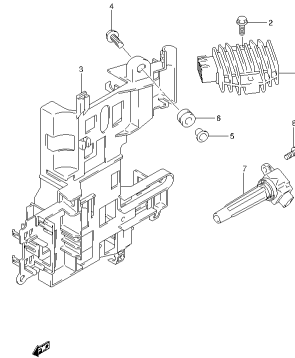
DF80A_E01_014_189
STARTING MOTOR

FIG.190



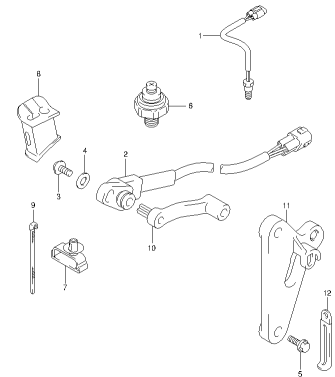
DF80A_E01_014_190
MAGNETO

FIG.191



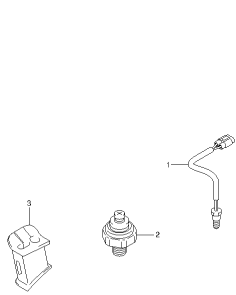
DF80A_E01_014_191
RECTIFIER/IGNITION COIL

FIG.192



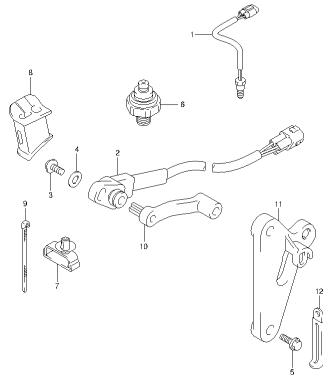
DF80A_E01_014_192
SENSOR

FIG.193



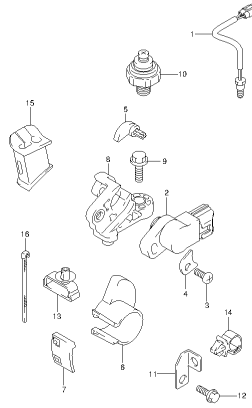
DF80A_E01_014_193
SENSOR

FIG.194



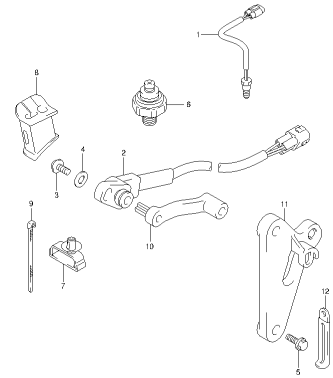
DF80A_E01_014_194
SENSOR

FIG.195



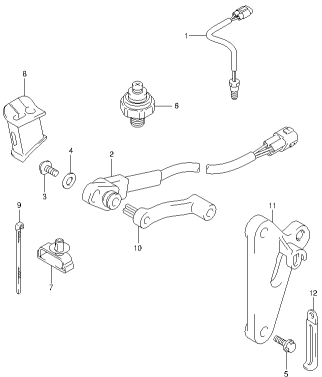
DF80A_E01_014_195
SENSOR

FIG.196



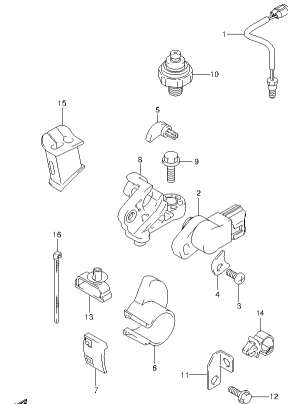
DF80A_E01_014_196
SENSOR

FIG.197



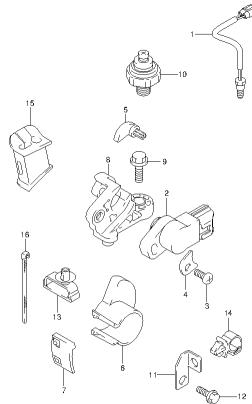
DF80A_E01_014_197
SENSOR

FIG.198



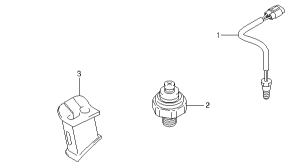
DF80A_E01_014_198
SENSOR

FIG.199



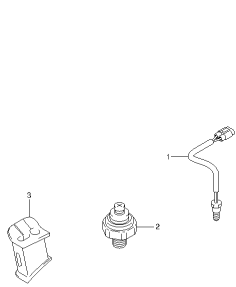
DF80A_E01_014_199
SENSOR

FIG.200



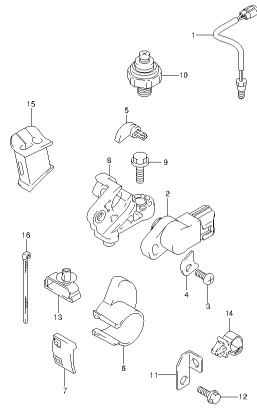
DF80A_E01_014_200
SENSOR

FIG.201



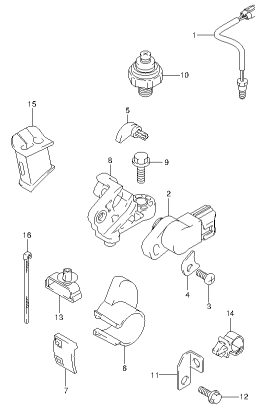
DF80A_E01_014_201
SENSOR

FIG.202



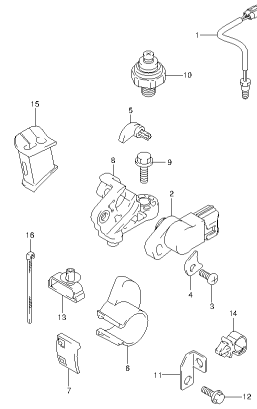
DF80A_E01_014_202
SENSOR

FIG.203



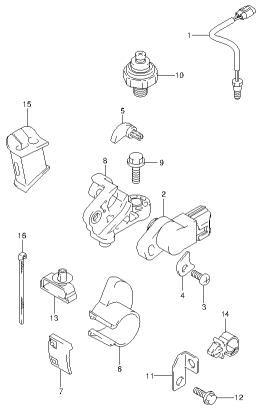
DF80A_E01_014_203
SENSOR

FIG.204



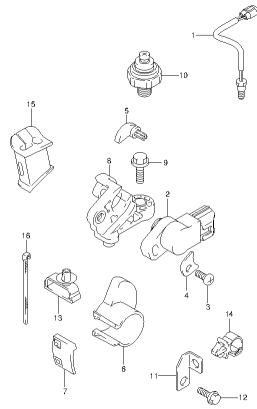
DF80A_E01_014_204
SENSOR

FIG.205



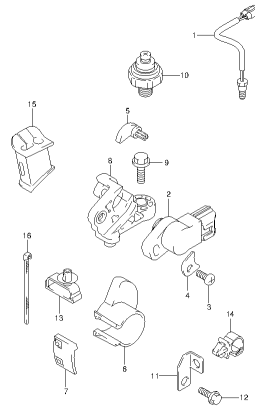
DF80A_E01_014_205
SENSOR

FIG.206



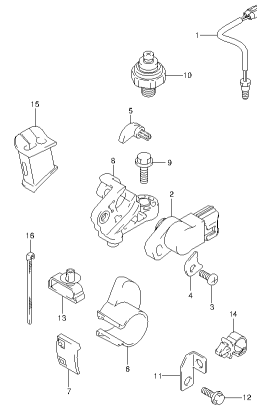
DF80A_E01_014_206
SENSOR

FIG.207



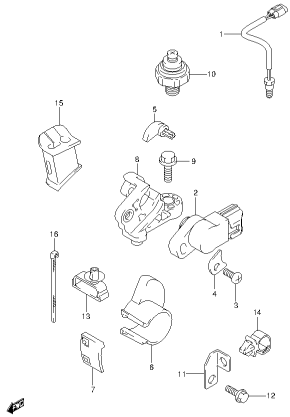
DF80A_E01_014_207
SENSOR

FIG.208



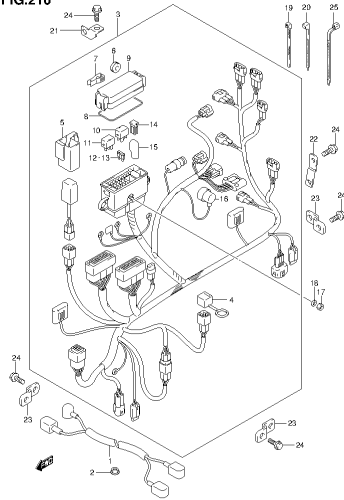
DF80A_E01_014_208
SENSOR

FIG.209



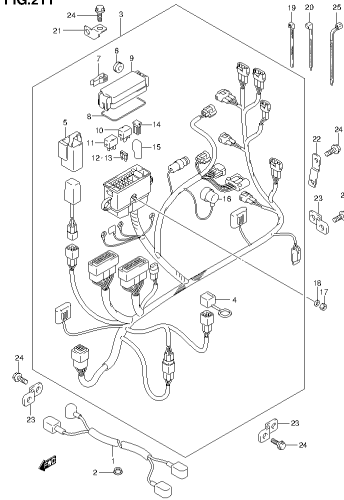
DF80A_E01_014_209
SENSOR

FIG.210



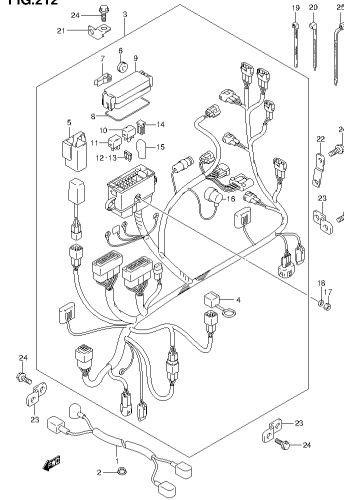
DF80A_E01_014_210
HARNESS

FIG.211



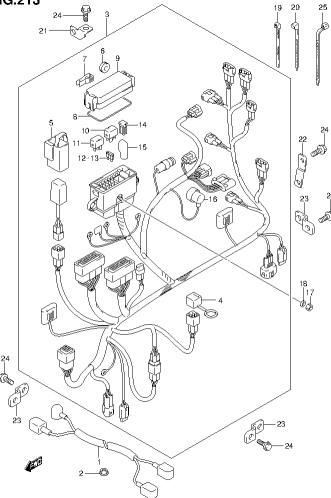
DF80A_E01_014_211
HARNESS

FIG.212



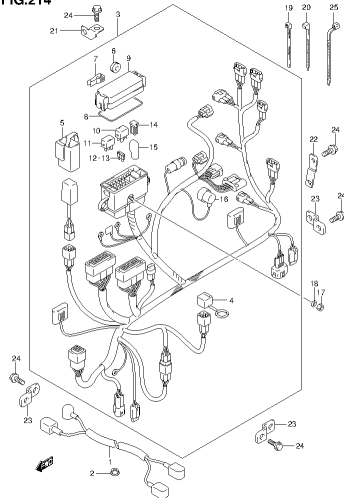
DF80A_E01_014_212
HARNESS

FIG.213



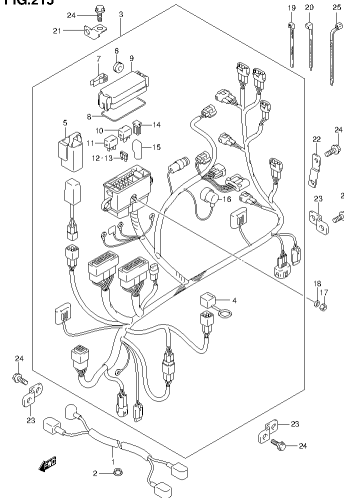
DF80A_E01_014_213
HARNESS

FIG.214



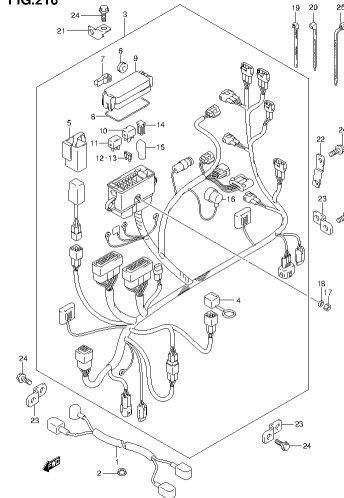
DF80A_E01_014_214
HARNESS

FIG.215



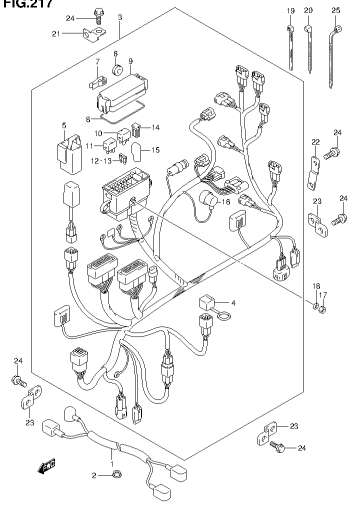
DF80A_E01_014_215
HARNESS

FIG.216



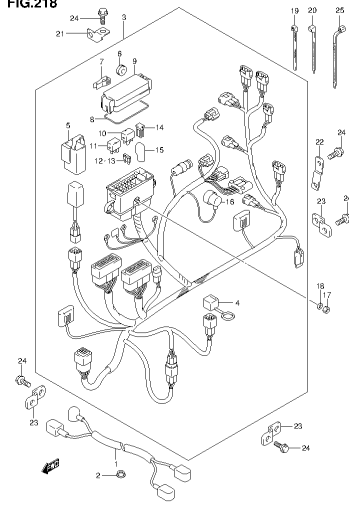
DF80A_E01_014_216
HARNESS

FIG.217



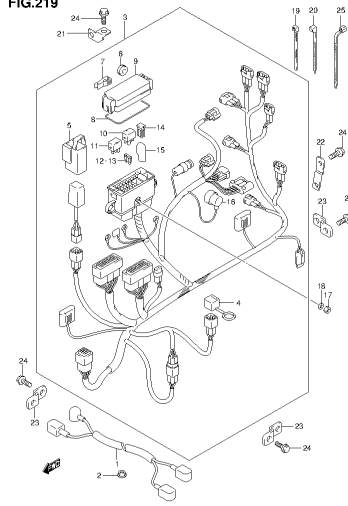
DF80A_E01_014_217
HARNES

FIG.218



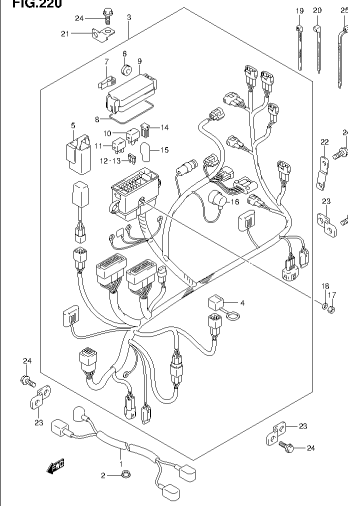
DF80A_E01_014_218
HARNES

FIG.219



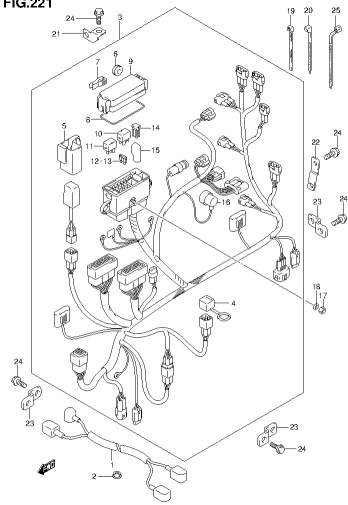
DF80A_E01_014_219
HARNES

FIG.220



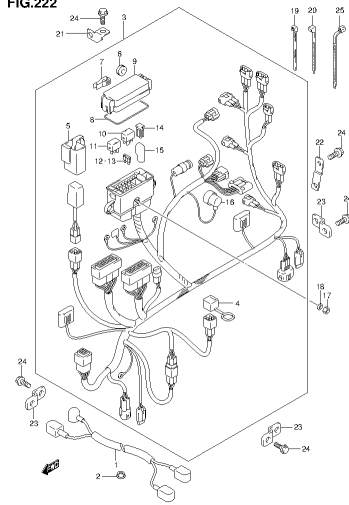
DF80A_E01_014_220
HARNES

FIG.221



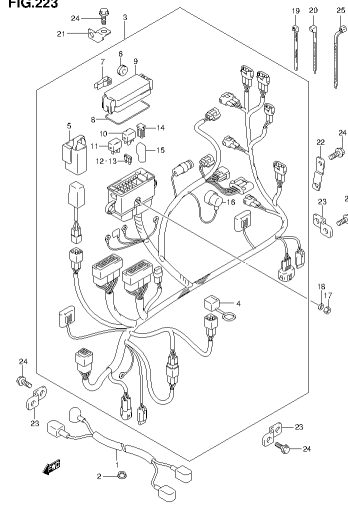
DF80A_E01_014_221
HARNES

FIG.222



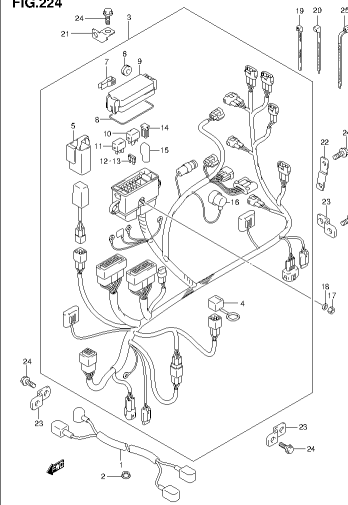
DF80A_E01_014_222
HARNES

FIG.223



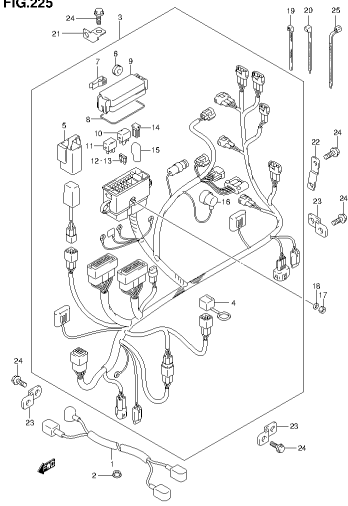
DF80A_E01_014_223
HARNES

FIG.224



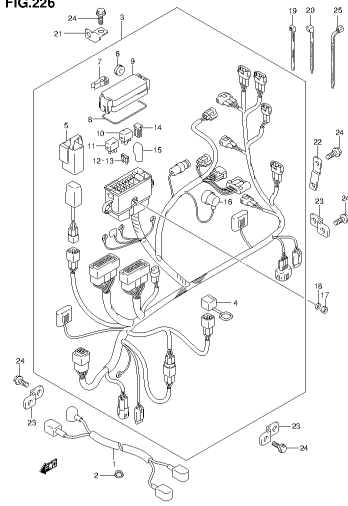
DF80A_E01_014_224
HARNES

FIG.225



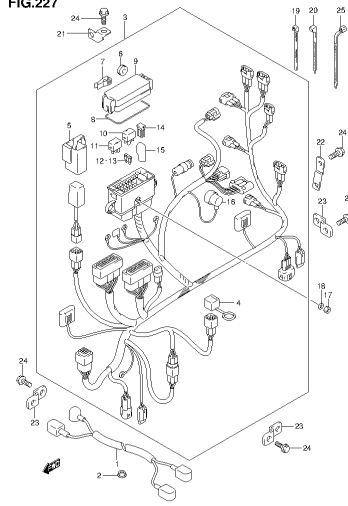
DF80A_E91_014_225
HARNESS

FIG.226



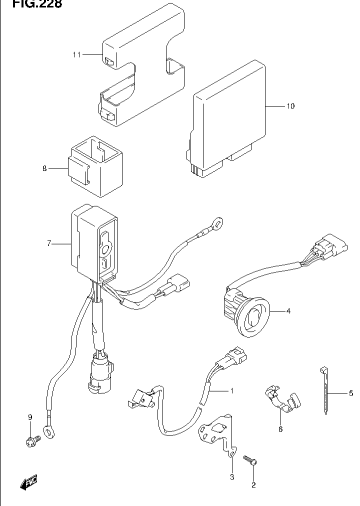
DF80A_E91_014_226
HARNESS

FIG.227



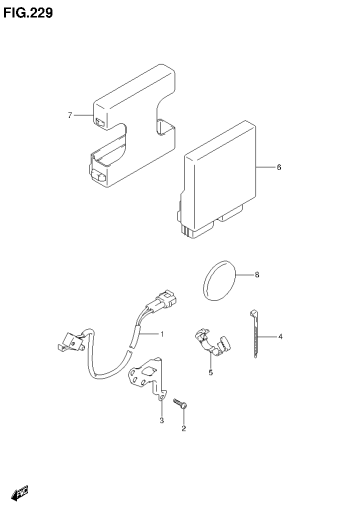
DF80A_E91_014_227
HARNESS

FIG.228



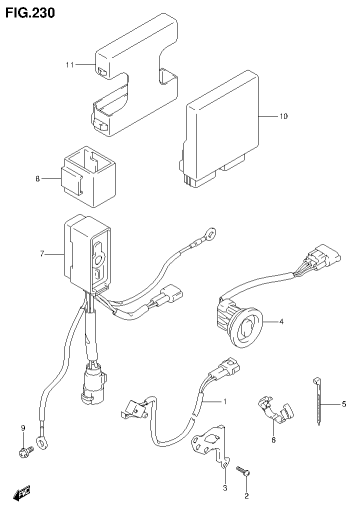
DF80A_E91_014_228
PTT SWITCHENGINE CONTROL UNIT

FIG.229



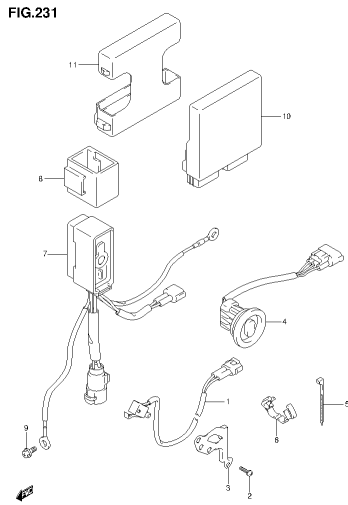
DF80A_E91_014_229
PTT SWITCHENGINE CONTROL UNIT

FIG.230



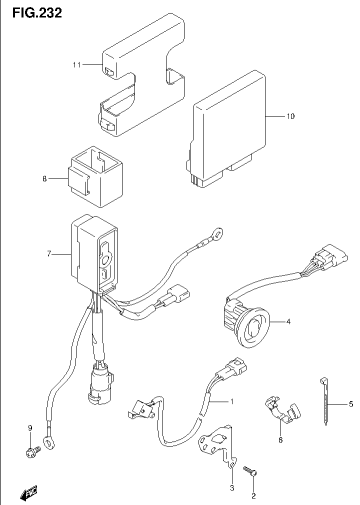
DF80A_E91_014_230
PTT SWITCHENGINE CONTROL UNIT

FIG.231



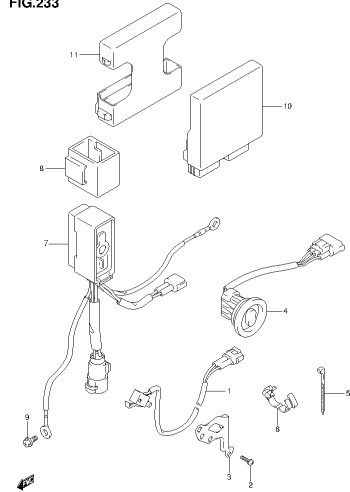
DF80A_E91_014_231
PTT SWITCHENGINE CONTROL UNIT

FIG.232



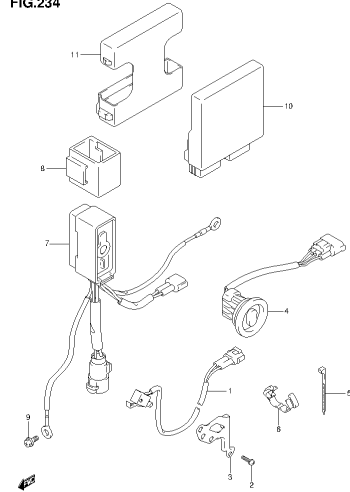
DF80A_E91_014_232
PTT SWITCHENGINE CONTROL UNIT

FIG.233



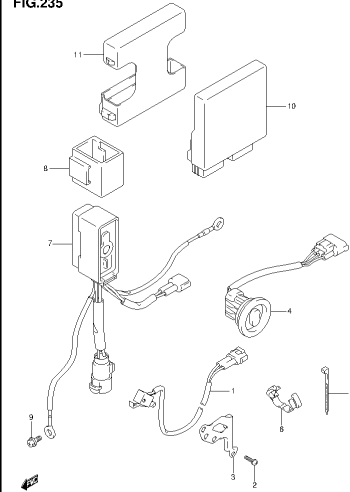
DF80A_E01_014_233
PTT SWITCHENGINE CONTROL UNIT

FIG.234



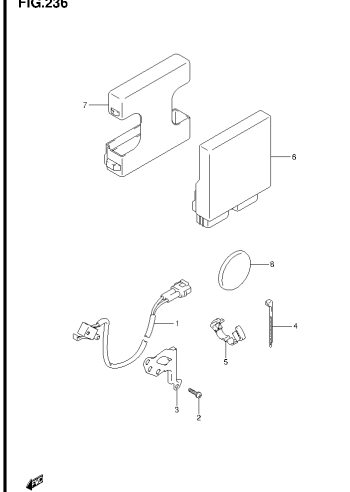
DF80A_E01_014_234
PTT SWITCHENGINE CONTROL UNIT

FIG.235



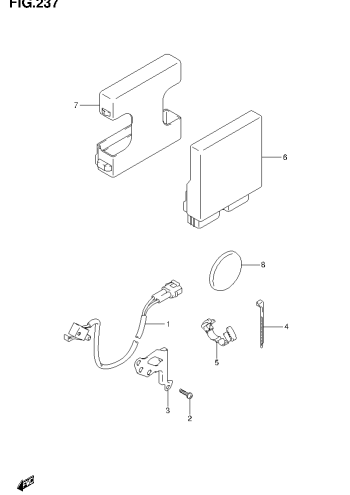
DF80A_E01_014_235
PTT SWITCHENGINE CONTROL UNIT

FIG.236



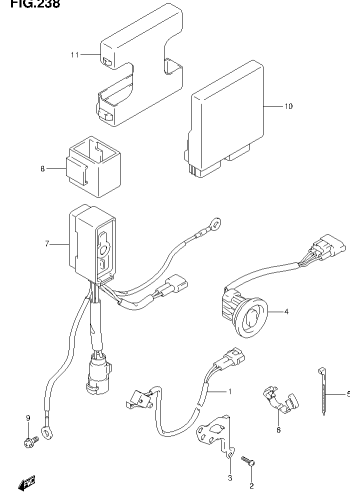
DF80A_E01_014_236
PTT SWITCHENGINE CONTROL UNIT

FIG.237



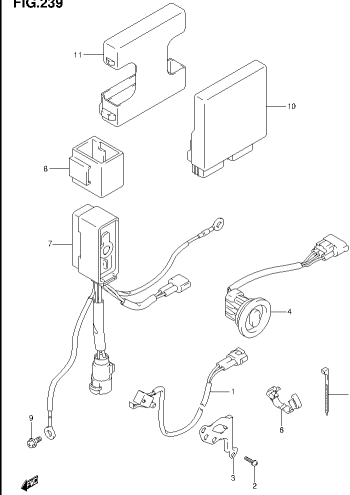
DF80A_E01_014_237
PTT SWITCHENGINE CONTROL UNIT

FIG.238



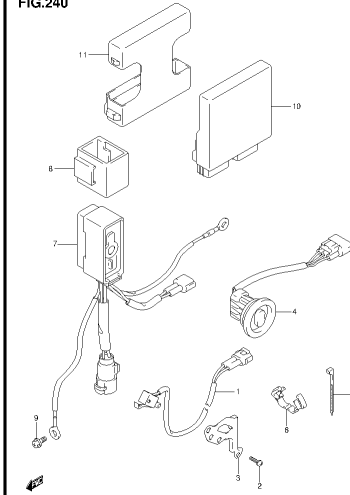
DF80A_E01_014_238
PTT SWITCHENGINE CONTROL UNIT

FIG.239



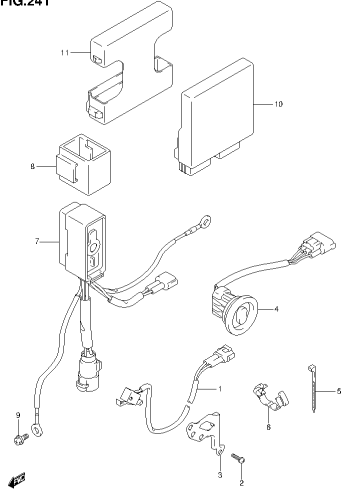
DF80A_E01_014_239
PTT SWITCHENGINE CONTROL UNIT

FIG.240



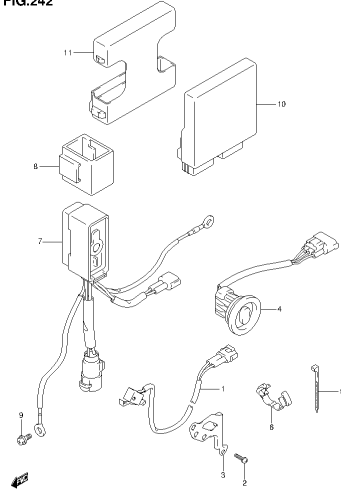
DF80A_E01_014_240
PTT SWITCHENGINE CONTROL UNIT

FIG.241



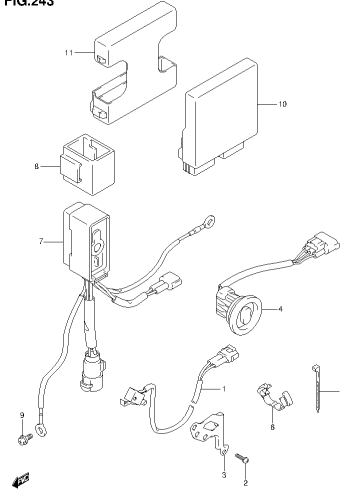
DF80A_E01_014_241
PTT SWITCH/ENGINE CONTROL UNIT

FIG.242



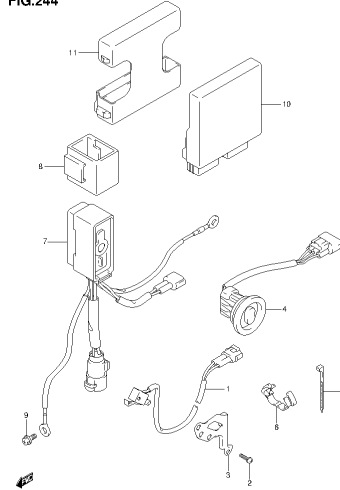
DF80A_E01_014_242
PTT SWITCH/ENGINE CONTROL UNIT

FIG.243



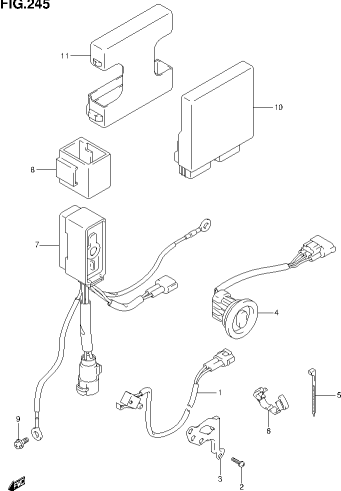
DF80A_E01_014_243
PTT SWITCH/ENGINE CONTROL UNIT

FIG.244



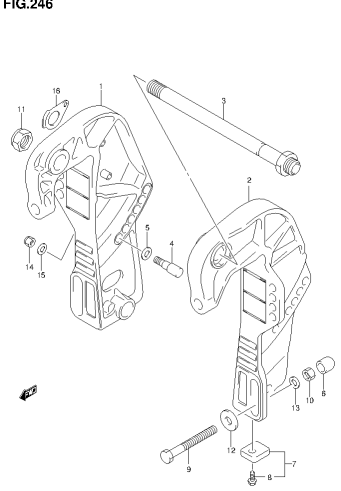
DF80A_E01_014_244
PTT SWITCH/ENGINE CONTROL UNIT

FIG.245



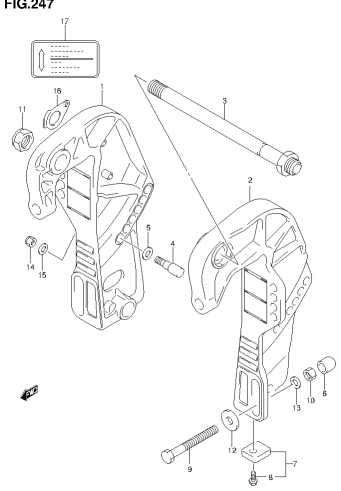
DF80A_E01_014_245
PTT SWITCH/ENGINE CONTROL UNIT

FIG.246



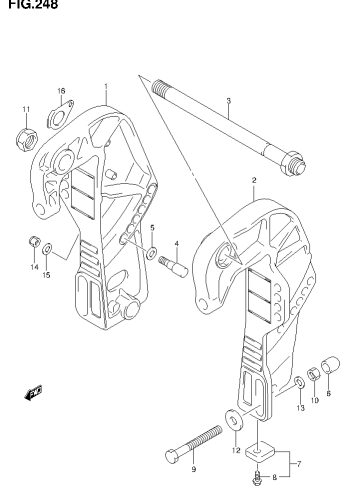
DF80A_E01_014_246
CLAMP BRACKET

FIG.247



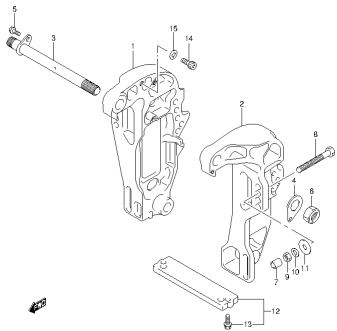
DF80A_E01_014_247
CLAMP BRACKET

FIG.248



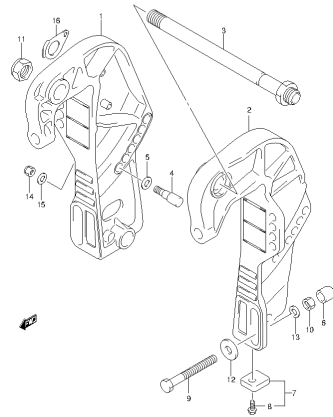
DF80A_E01_014_248
CLAMP BRACKET

FIG.249



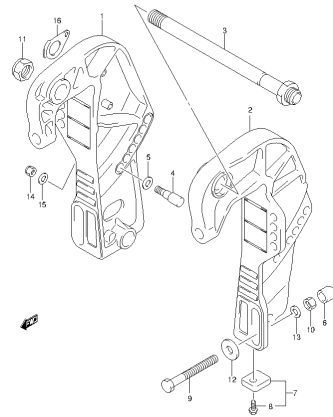
DF80A_E01_014_249
CLAMP BRACKET

FIG.250



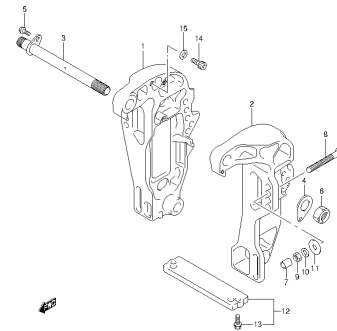
DF80A_E01_014_250
CLAMP BRACKET

FIG.251



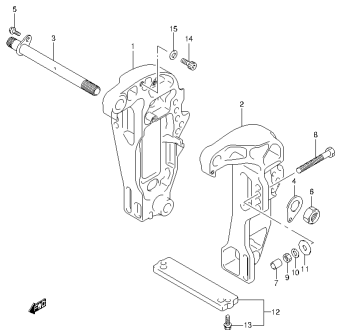
DF80A_E01_014_251
CLAMP BRACKET

FIG.252



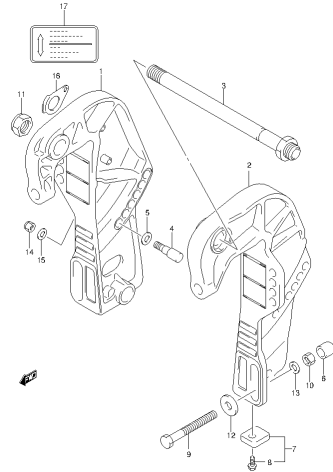
DF80A_E01_014_252
CLAMP BRACKET

FIG.253



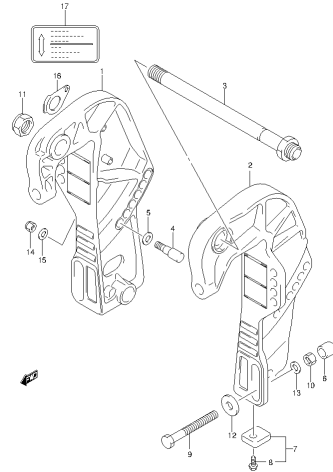
DF80A_E01_014_253
CLAMP BRACKET

FIG.254



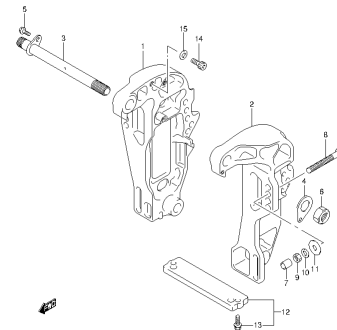
DF80A_E01_014_254
CLAMP BRACKET

FIG.255



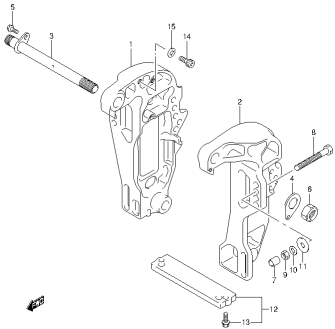
DF80A_E01_014_255
CLAMP BRACKET

FIG.256



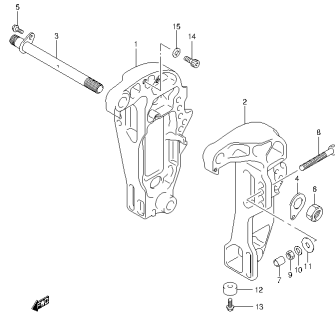
DF80A_E01_014_256
CLAMP BRACKET

FIG.257



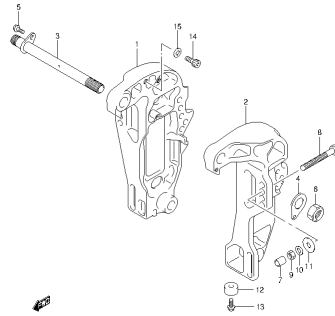
DF80A_E01_014_257
CLAMP BRACKET

FIG.258



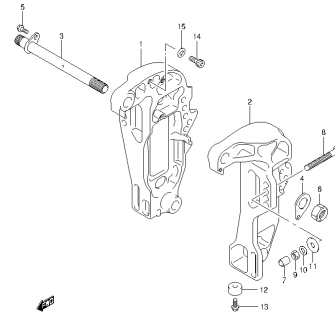
DF80A_E01_014_258
CLAMP BRACKET

FIG.259



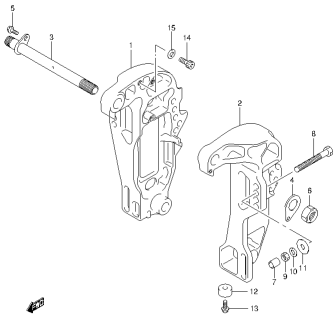
DF80A_E01_014_259
CLAMP BRACKET

FIG.260



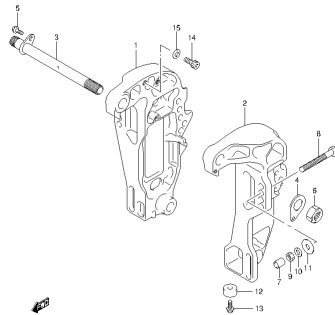
DF80A_E01_014_260
CLAMP BRACKET

FIG.261



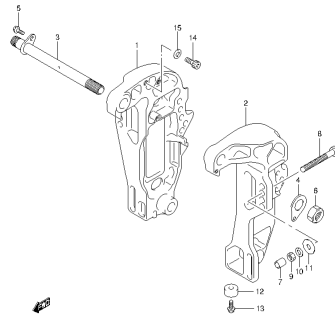
DF80A_E01_014_261
CLAMP BRACKET

FIG.262



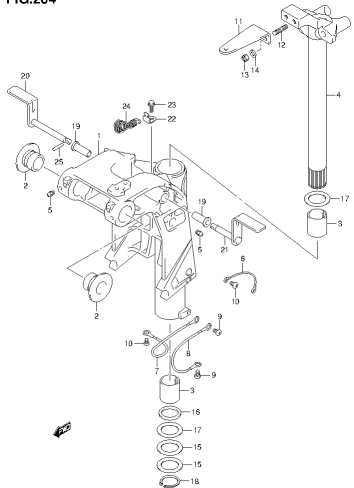
DF80A_E01_014_262
CLAMP BRACKET

FIG.263



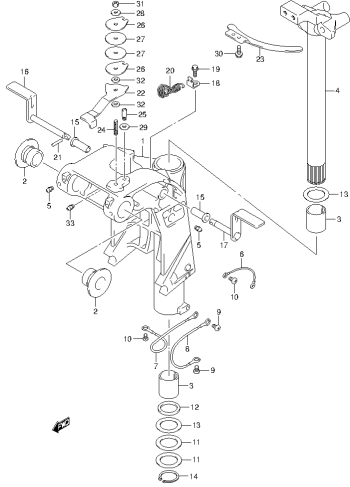
DF80A_E01_014_263
CLAMP BRACKET

FIG.264



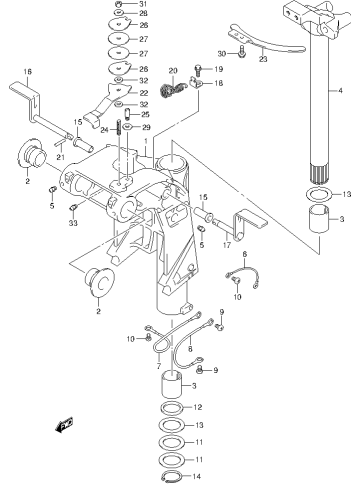
DF80A_E01_014_264
SWIVEL BRACKET

FIG.265



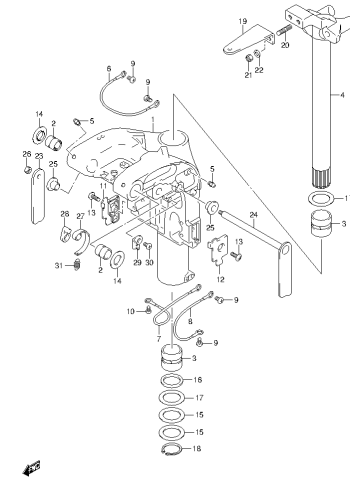
DF80A_E01_014_265
SWIVEL BRACKET

FIG.266



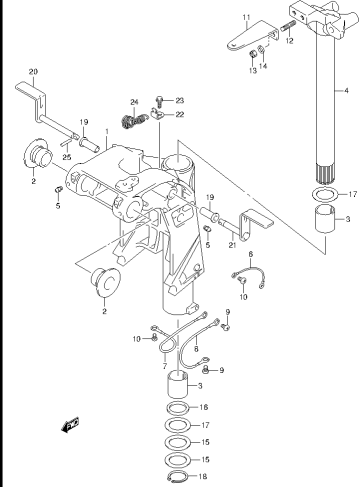
DF80A_E01_014_266
SWIVEL BRACKET

FIG.267



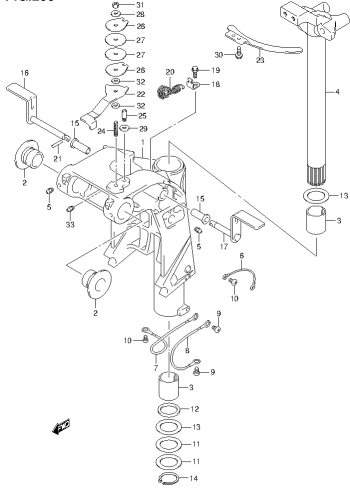
DF80A_E01_014_267
SWIVEL BRACKET

FIG.268



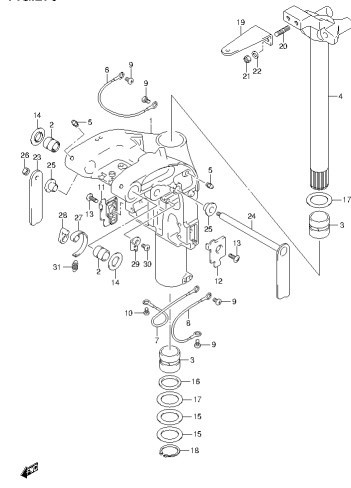
DF80A_E01_014_268
SWIVEL BRACKET

FIG.269



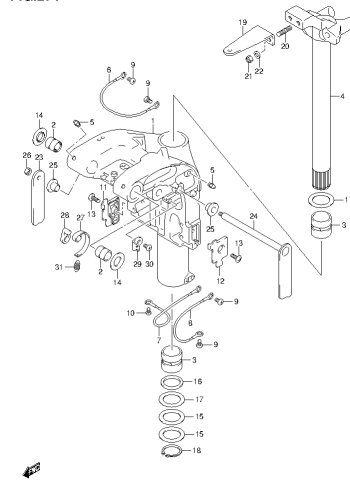
DF80A_E01_014_269
SWIVEL BRACKET

FIG.270



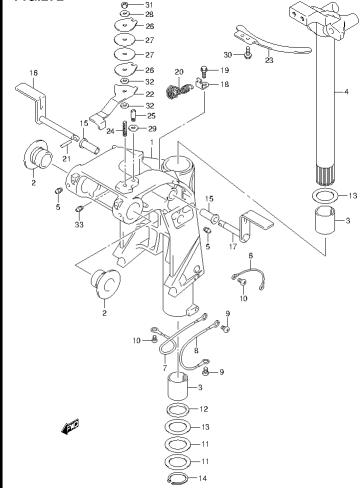
DF80A_E01_014_270
SWIVEL BRACKET

FIG.271



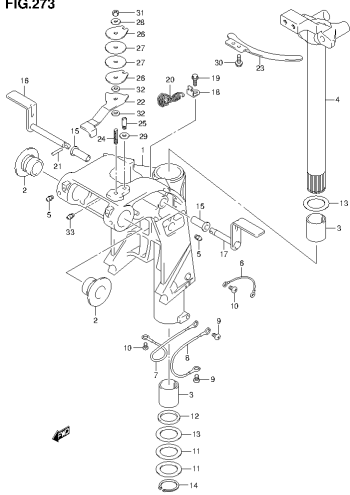
DF80A_E01_014_271
SWIVEL BRACKET

FIG.272



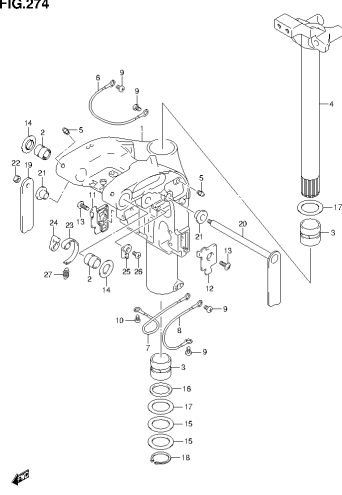
DF80A_E01_014_272
SWIVEL BRACKET

FIG.273



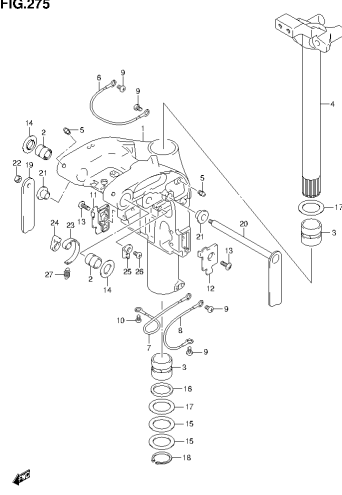
DF80A_E01_014_273
SWIVEL BRACKET

FIG.274



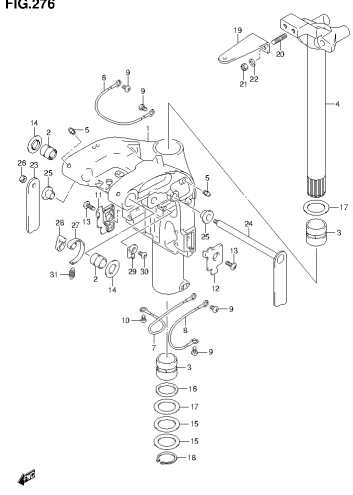
DF80A_E01_014_274
SWIVEL BRACKET

FIG.275



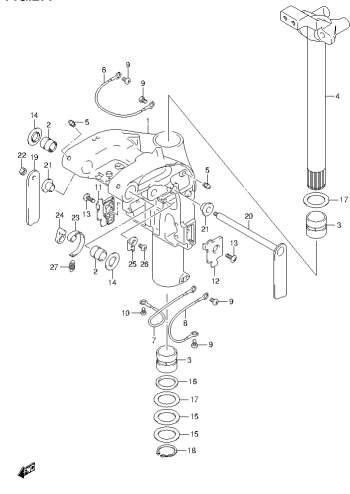
DF80A_E01_014_275
SWIVEL BRACKET

FIG.276



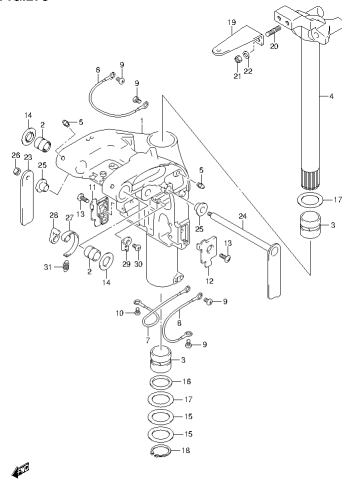
DF80A_E01_014_276
SWIVEL BRACKET

FIG.277



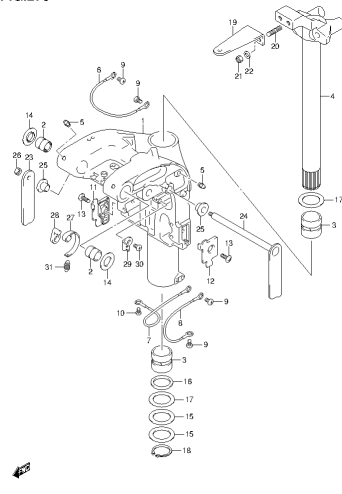
DF80A_E01_014_277
SWIVEL BRACKET

FIG.278



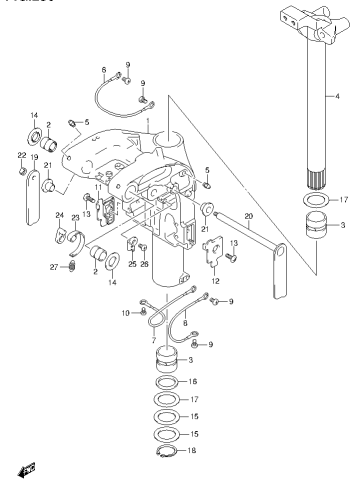
DF80A_E01_014_278
SWIVEL BRACKET

FIG.279



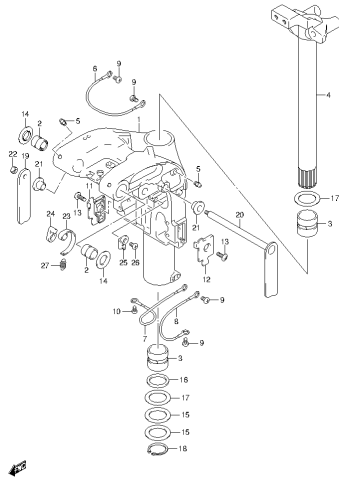
DF80A_E01_014_279
SWIVEL BRACKET

FIG.280



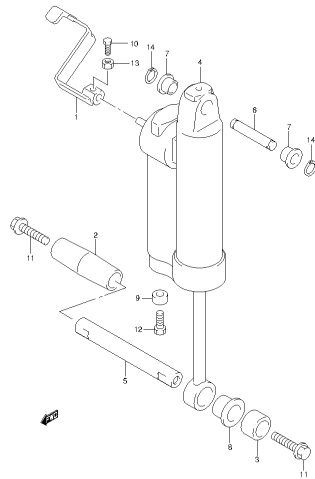
DF80A_E01_014_280
SWIVEL BRACKET

FIG.281



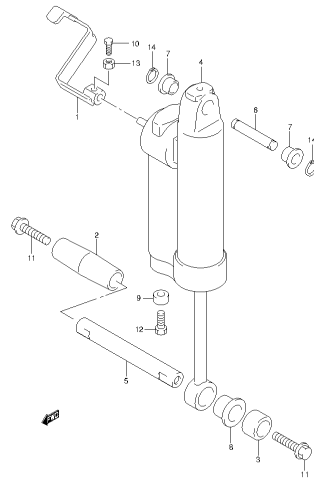
DF80A_E01_014_281
SWIVEL BRACKET

FIG.282



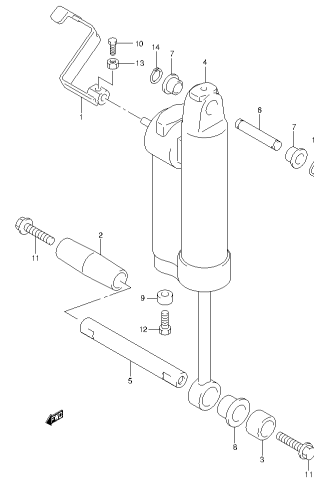
DF80A_E01_014_282
GAS CYLINDER

FIG.283



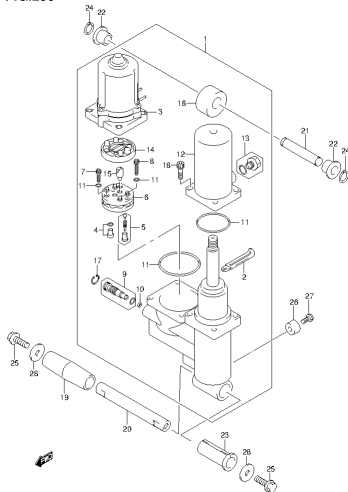
DF80A_E01_014_283
GAS CYLINDER

FIG.284



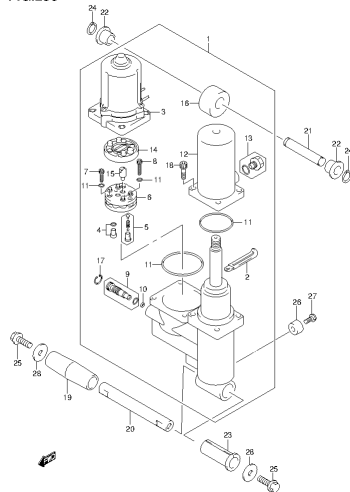
DF80A_E01_014_284
GAS CYLINDER

FIG.285



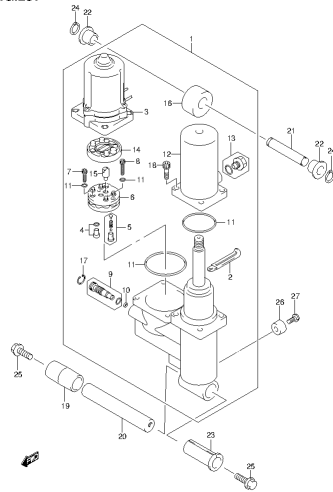
DF80A_E01_014_285
TRIM CYLINDER

FIG.286



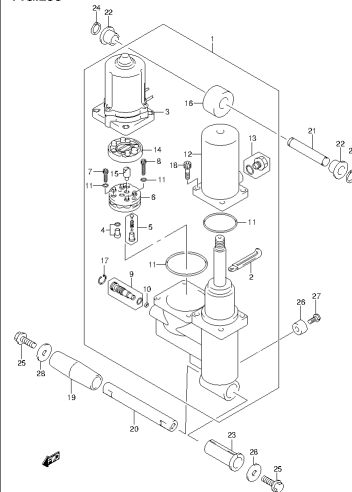
DF80A_E01_014_286
TRIM CYLINDER

FIG.287



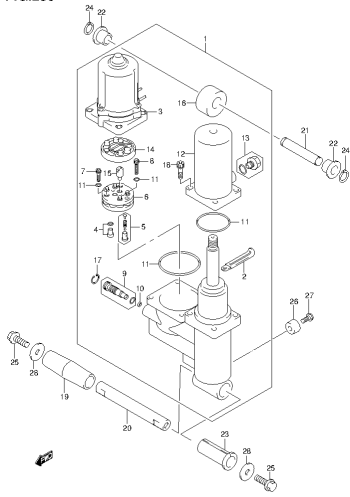
DF80A_E01_014_287
TRIM CYLINDER

FIG.288



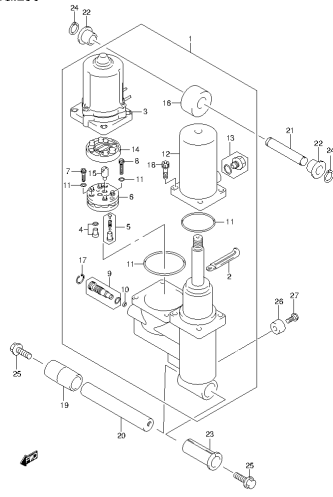
DF80A_E01_014_288
TRIM CYLINDER

FIG.289



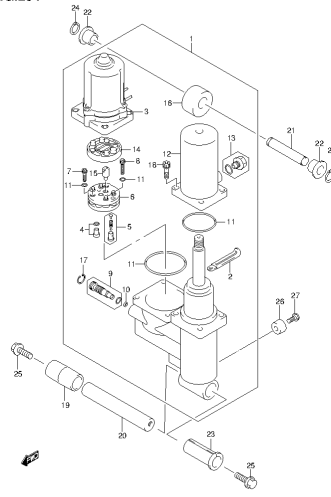
DF80A_E01_014_289
TRIM CYLINDER

FIG.290



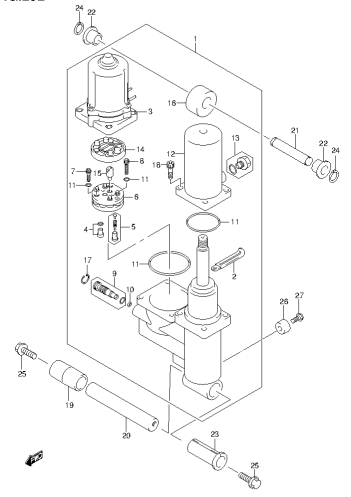
DF80A_E01_014_290
TRIM CYLINDER

FIG.291



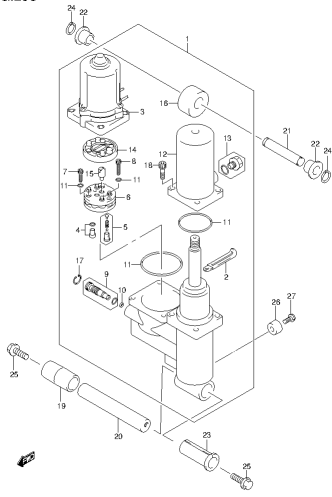
DF80A_E01_014_291
TRIM CYLINDER

FIG.292



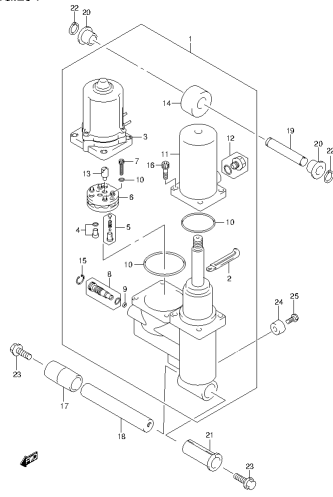
DF80A_E01_014_292
TRIM CYLINDER

FIG.293



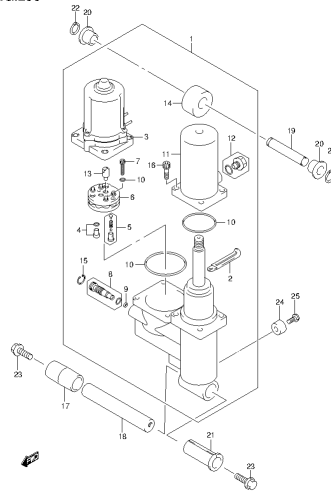
DF80A_E01_014_293
TRIM CYLINDER

FIG.294



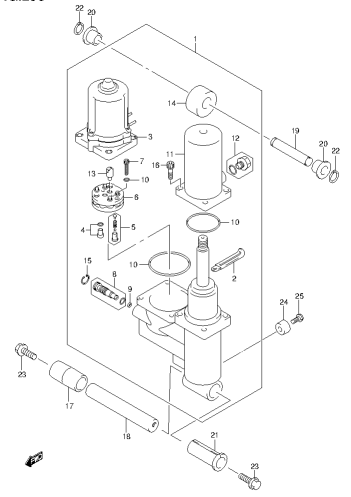
DF80A_E01_014_294
TRIM CYLINDER

FIG.295



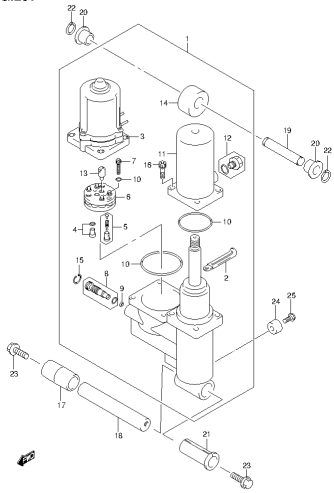
DF80A_E01_014_295
TRIM CYLINDER

FIG.296



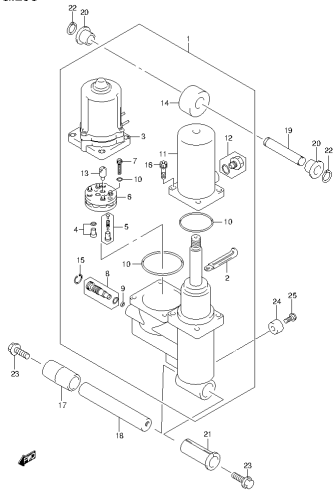
DF80A_E01_014_296
TRIM CYLINDER

FIG.297



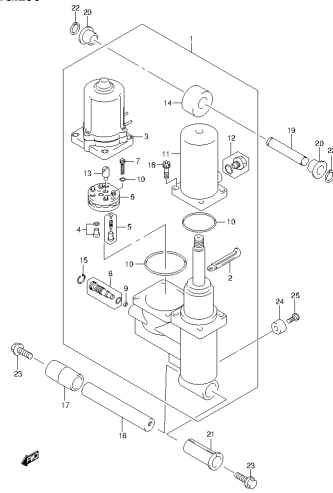
DF80A_E01_014_297
TRIM CYLINDER

FIG.298



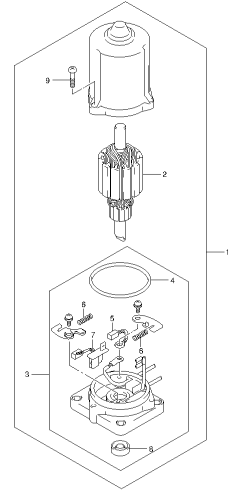
DF80A_E01_014_298
TRIM CYLINDER

FIG.299



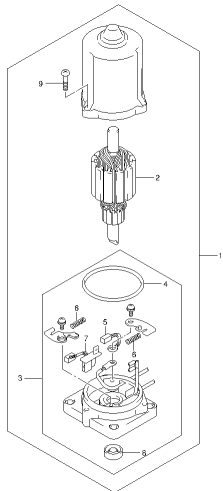
DF80A_E01_014_299
TRIM CYLINDER

FIG.300



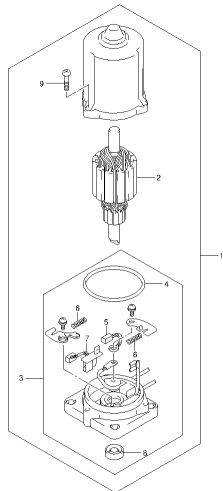
DF80A_E01_014_300
PTT MOTOR

FIG.301



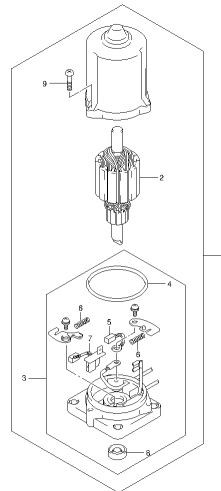
DF80A_E01_014_301
PTT MOTOR

FIG.302



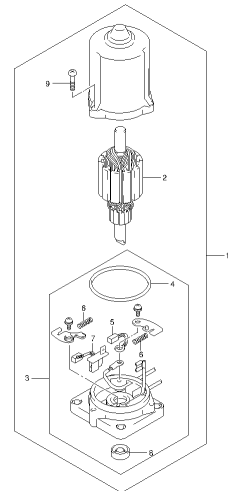
DF80A_E01_014_302
PTT MOTOR

FIG.303



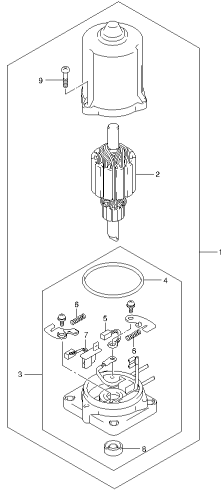
DF80A_E01_014_303
PTT MOTOR

FIG.304



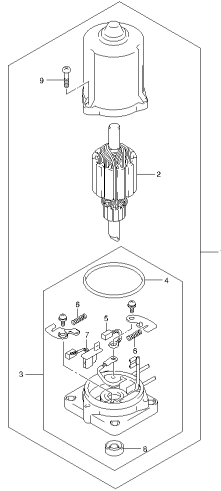
DF80A_E01_014_304
PTT MOTOR

FIG.305



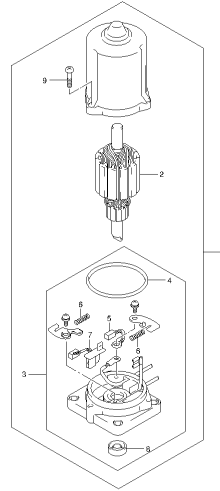
DF80A_E01_014_305
PTT MOTOR

FIG.306



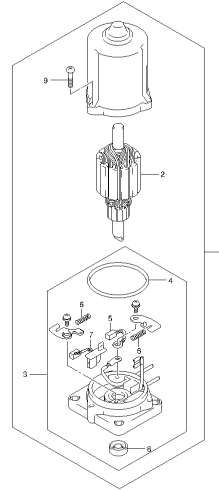
DF80A_E01_014_306
PTT MOTOR

FIG.307



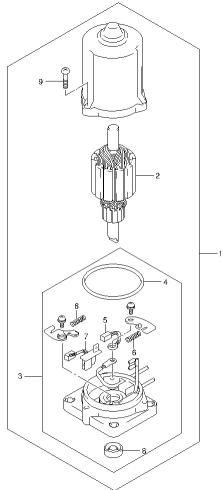
DF80A_E01_014_307
PTT MOTOR

FIG.308



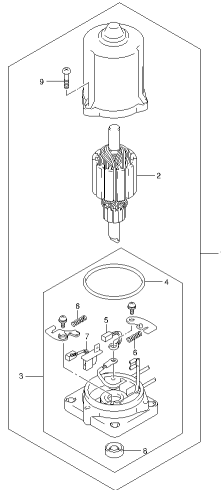
DF80A_E01_014_308
PTT MOTOR

FIG.309



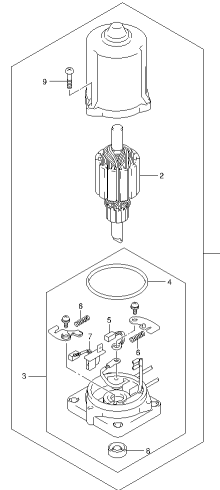
DF80A_E01_014_309
PTT MOTOR

FIG.310



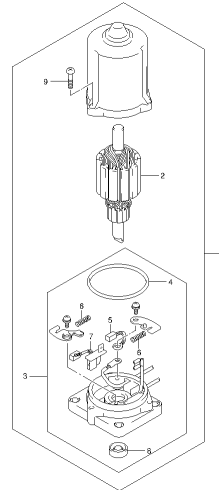
DF80A_E01_014_310
PTT MOTOR

FIG.311



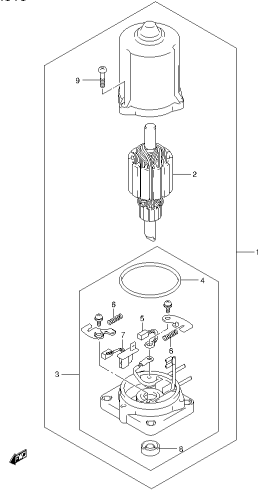
DF80A_E01_014_311
PTT MOTOR

FIG.312



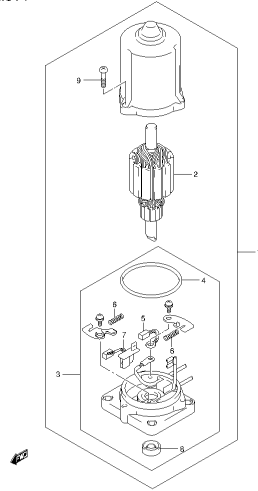
DF80A_E01_014_312
PTT MOTOR

FIG.313



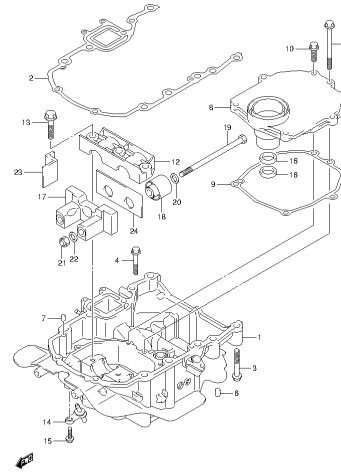
DF80A_E01_014_313
PTT MOTOR

FIG.314



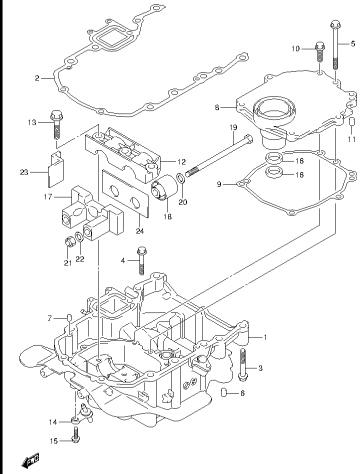
DF80A_E01_014_314
PTT MOTOR

FIG.315



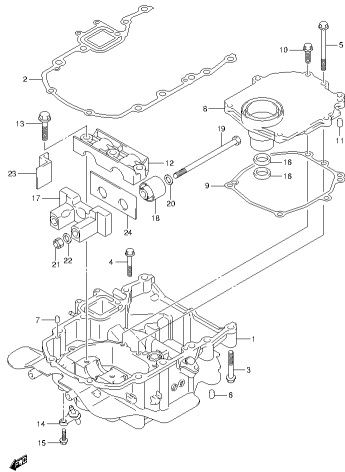
DF80A_E01_014_315
ENGINE HOLDER

FIG.316



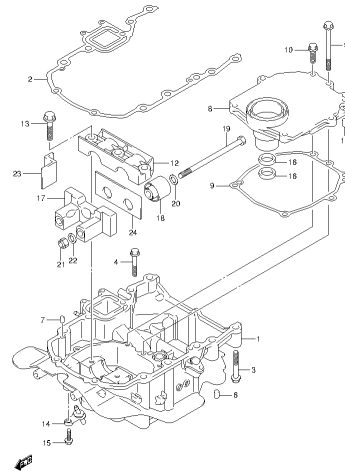
DF80A_E01_014_316
ENGINE HOLDER

FIG.317



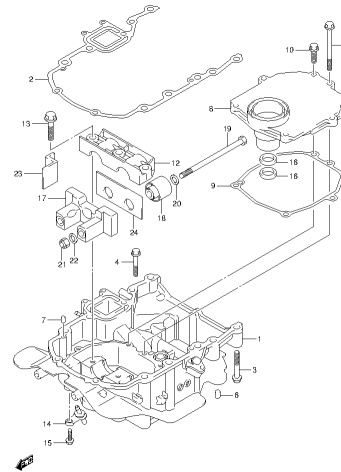
DF80A_E01_014_317
ENGINE HOLDER

FIG.318



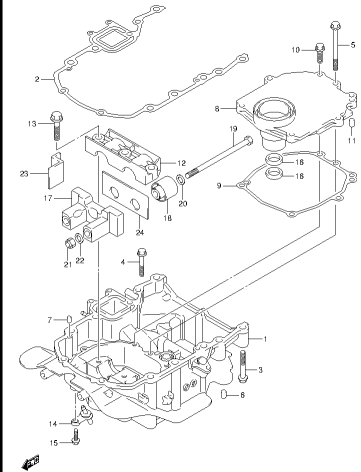
DF80A_E01_014_318
ENGINE HOLDER

FIG.319



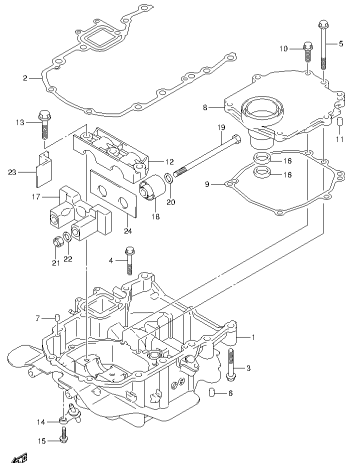
DF80A_E01_014_319
ENGINE HOLDER

FIG.320



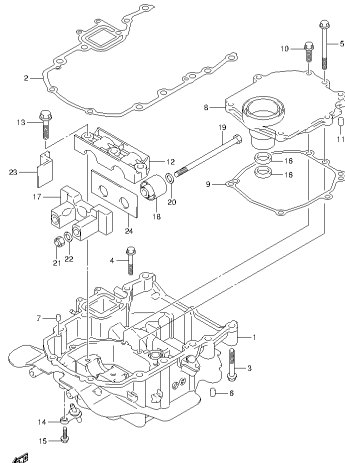
DF80A_E01_014_320
ENGINE HOLDER

FIG.321



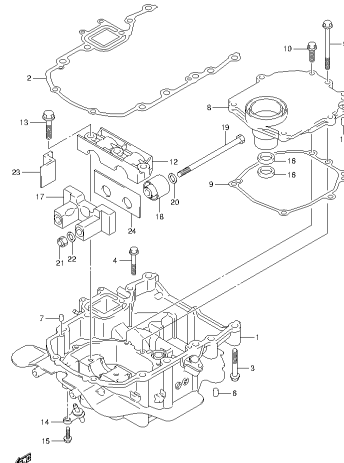
DF80A_E01_014_321
ENGINE HOLDER

FIG.322



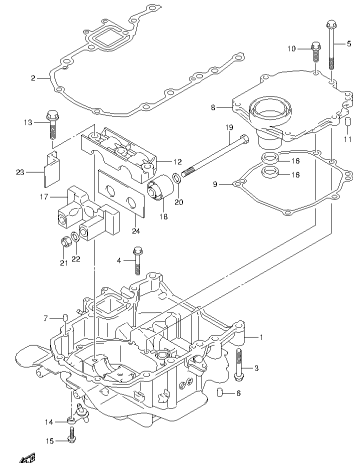
DF80A_E01_014_322
ENGINE HOLDER

FIG.323



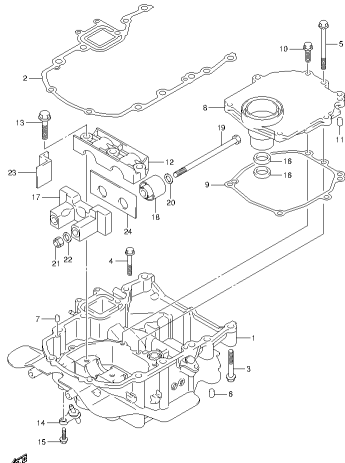
DF80A_E01_014_323
ENGINE HOLDER

FIG.324



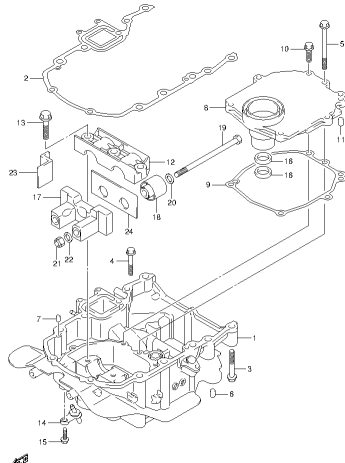
DF80A_E01_014_324
ENGINE HOLDER

FIG.325



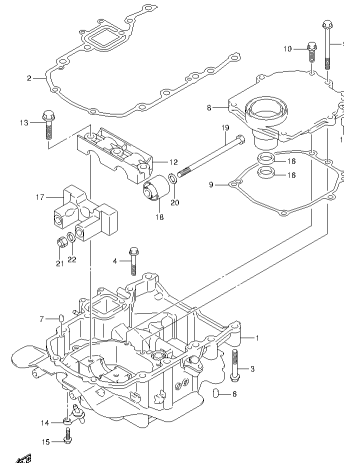
DF80A_E01_014_325
ENGINE HOLDER

FIG.326



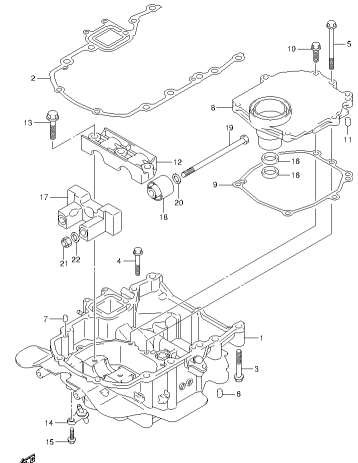
DF80A_E01_014_326
ENGINE HOLDER

FIG.327



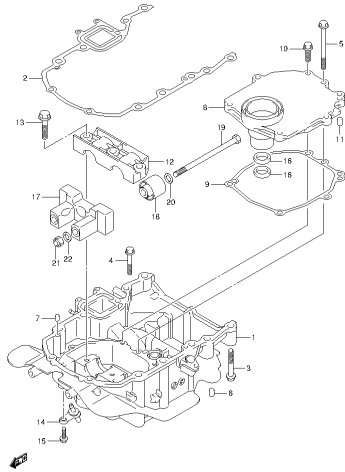
DF80A_E01_014_327
ENGINE HOLDER

FIG.328



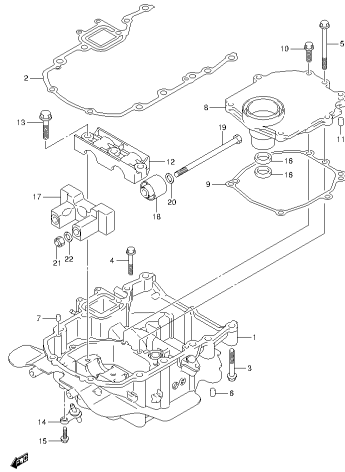
DF80A_E01_014_328
ENGINE HOLDER

FIG.329



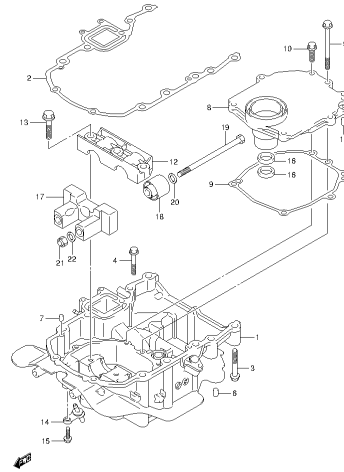
DF80A_E01_014_329
ENGINE HOLDER

FIG.330



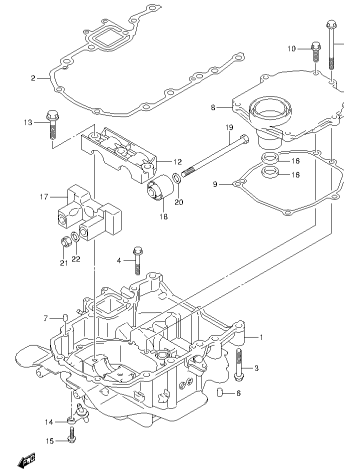
DF80A_E01_014_330
ENGINE HOLDER

FIG.331



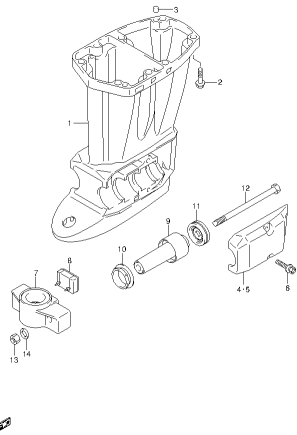
DF80A_E01_014_331
ENGINE HOLDER

FIG.332



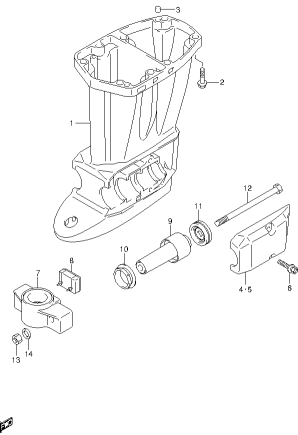
DF80A_E01_014_332
ENGINE HOLDER

FIG.333



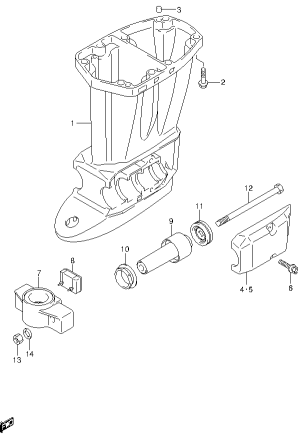
DF80A_E01_014_333
DRIVE SHAFT HOUSING

FIG.334



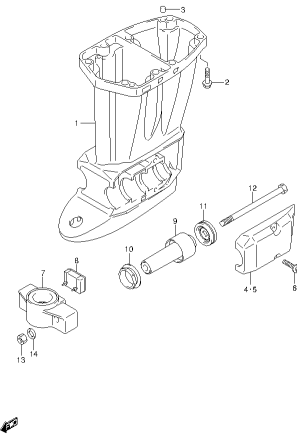
DF80A_E01_014_334
DRIVE SHAFT HOUSING

FIG.335



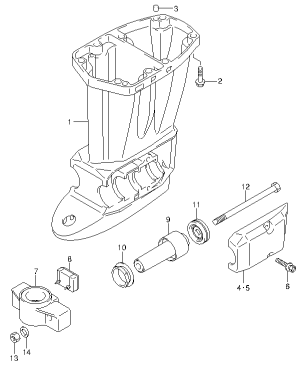
DF80A_E01_014_335
DRIVE SHAFT HOUSING

FIG.336



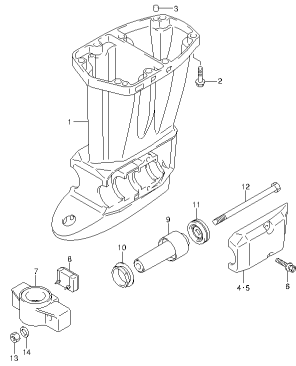
DF80A_E01_014_336
DRIVE SHAFT HOUSING

FIG.337



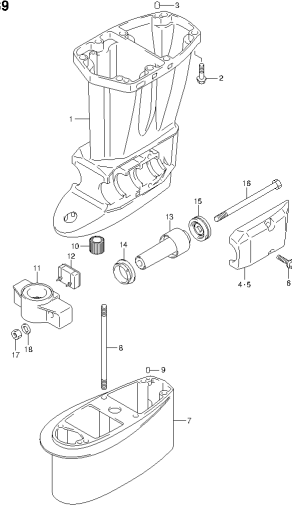
DF80A_E01_014_337
DRIVE SHAFT HOUSING

FIG.338



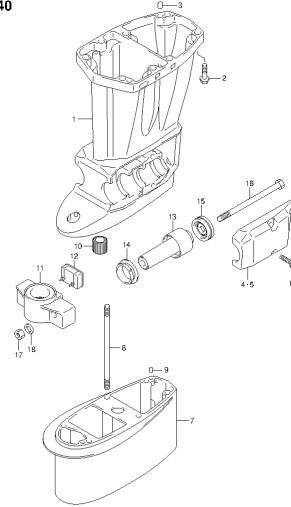
DF80A_E01_014_338
DRIVE SHAFT HOUSING

FIG.339



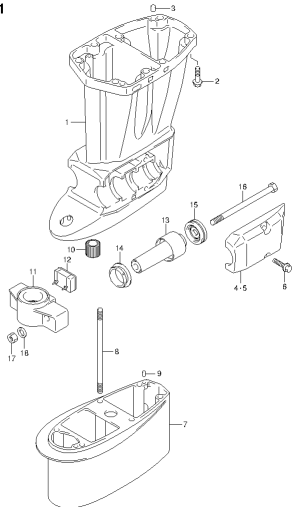
DF80A_E01_014_339
DRIVE SHAFT HOUSING

FIG.340



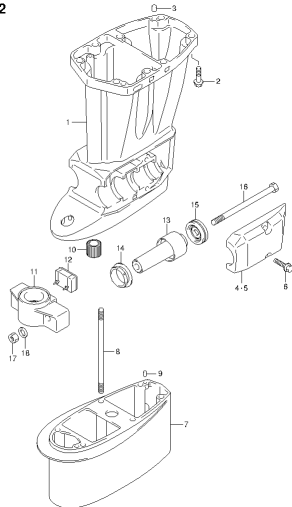
DF80A_E01_014_340
DRIVE SHAFT HOUSING

FIG.341



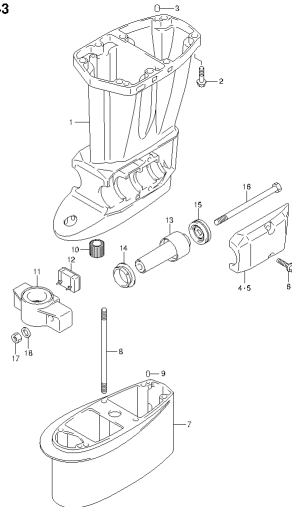
DF80A_E01_014_341
DRIVE SHAFT HOUSING

FIG.342



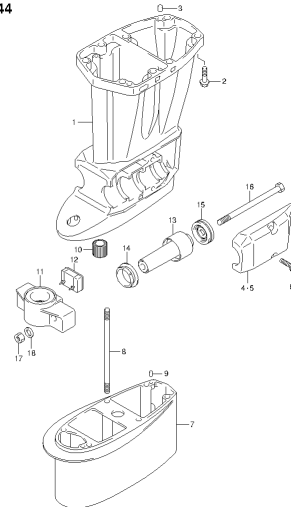
DF80A_E01_014_342
DRIVE SHAFT HOUSING

FIG.343



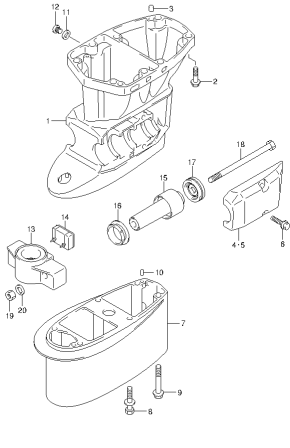
DF80A_E01_014_343
DRIVE SHAFT HOUSING

FIG.344



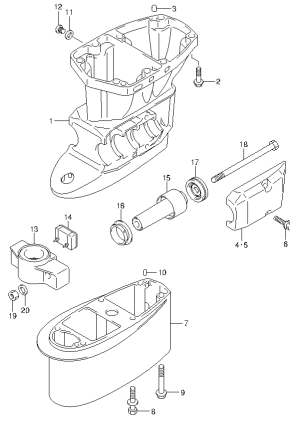
DF80A_E01_014_344
DRIVE SHAFT HOUSING

FIG.345



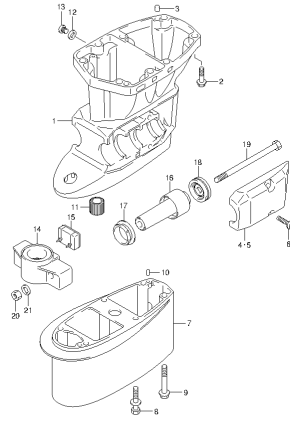
DF80A_E01_014_345
DRIVE SHAFT HOUSING

FIG.346



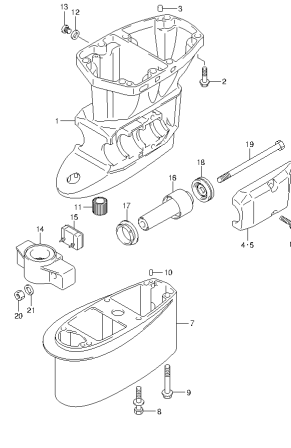
DF80A_E01_014_346
DRIVE SHAFT HOUSING

FIG.347



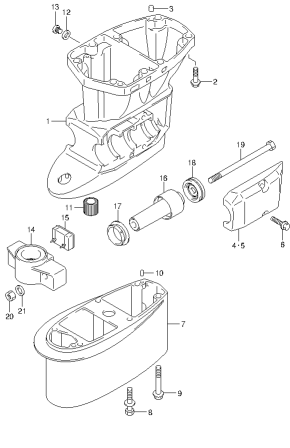
DF80A_E01_014_347
DRIVE SHAFT HOUSING

FIG.348



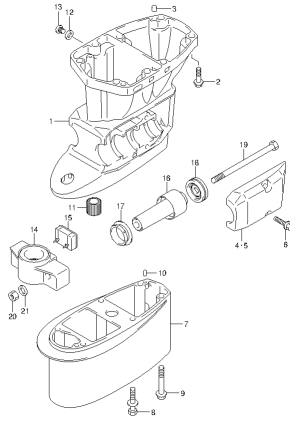
DF80A_E01_014_348
DRIVE SHAFT HOUSING

FIG.349



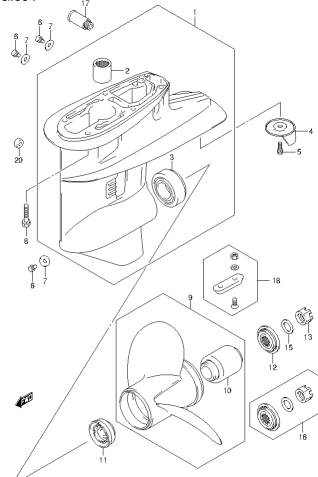
DF80A_E01_014_349
DRIVE SHAFT HOUSING

FIG.350



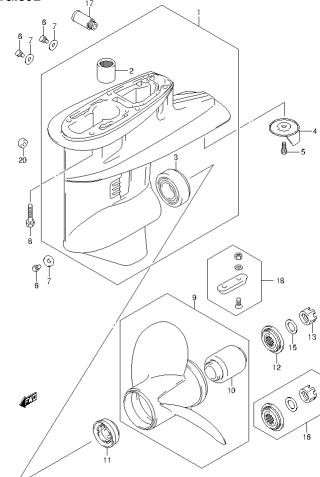
DF80A_E01_014_350
DRIVE SHAFT HOUSING

FIG.351



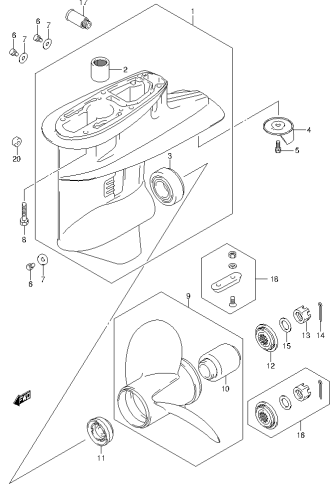
DF80A_E01_014_351
GEAR CASE

FIG.352



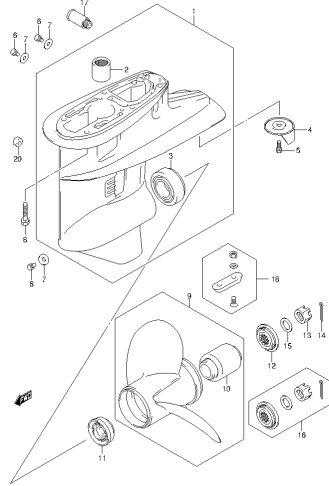
DF80A_E01_014_352
GEAR CASE

FIG.353



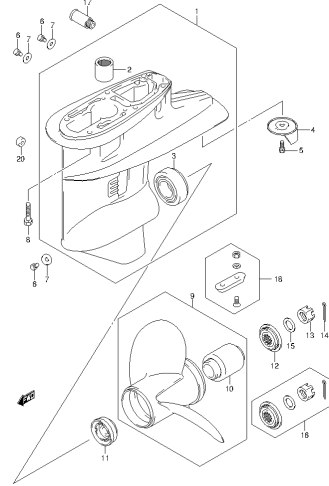
DF80A_E01_014_353
GEAR CASE

FIG.354



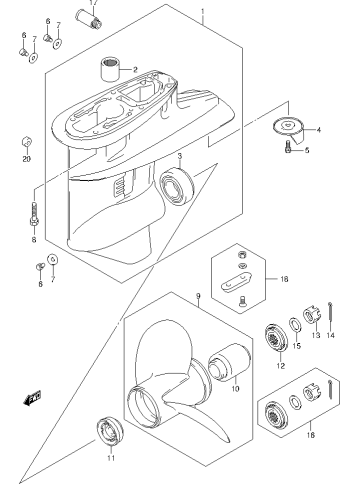
DF80A_E01_014_354
GEAR CASE

FIG.355



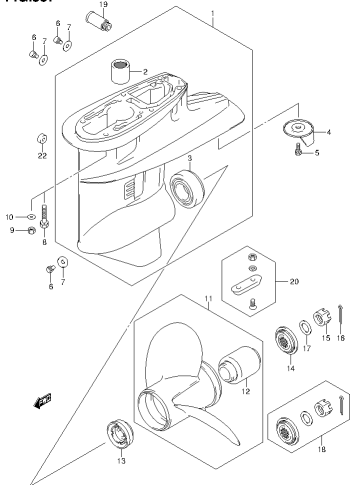
DF80A_E01_014_355
GEAR CASE

FIG.356



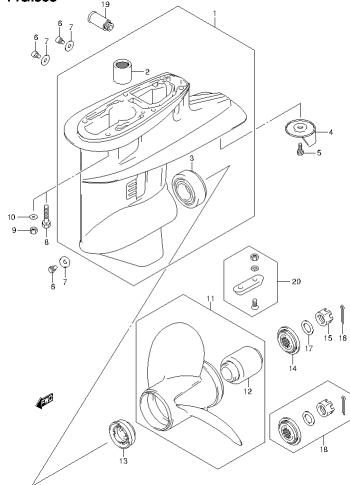
DF80A_E01_014_356
GEAR CASE

FIG.357



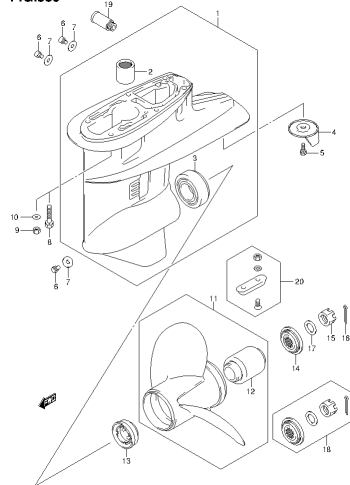
DF80A_E01_014_357
GEAR CASE

FIG.358



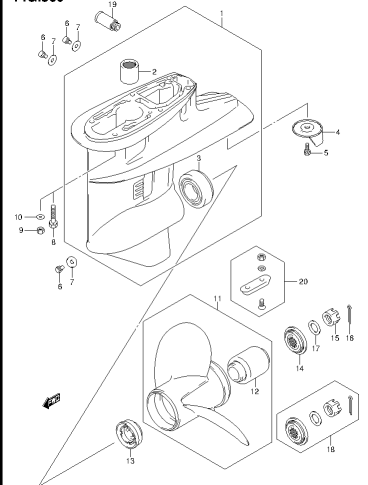
DF80A_E01_014_358
GEAR CASE

FIG.359



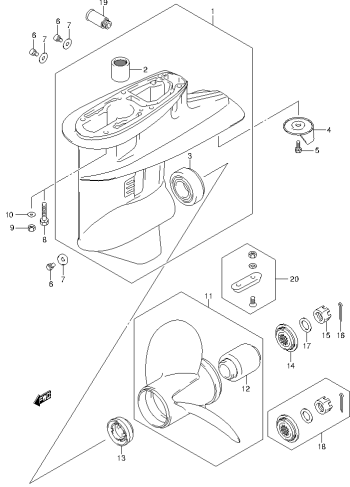
DF80A_E01_014_359
GEAR CASE

FIG.360



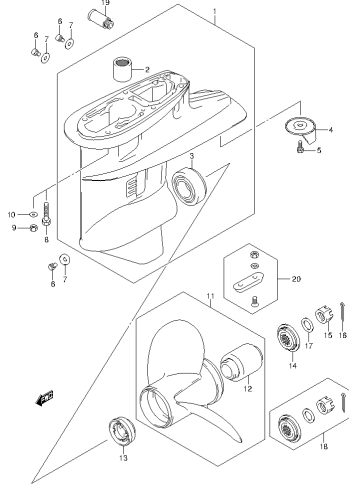
DF80A_E01_014_360
GEAR CASE

FIG.361



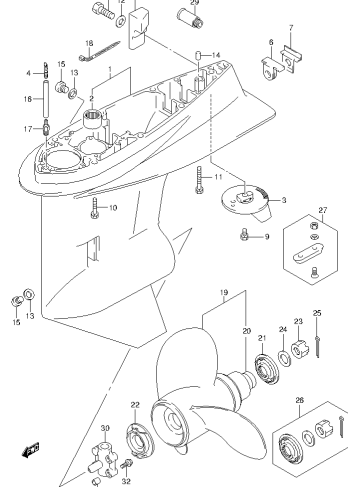
DF80A_E01_014_361
GEAR CASE

FIG.362



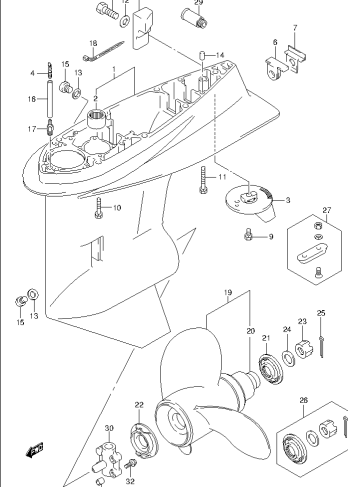
DF80A_E01_014_362
GEAR CASE

FIG.363



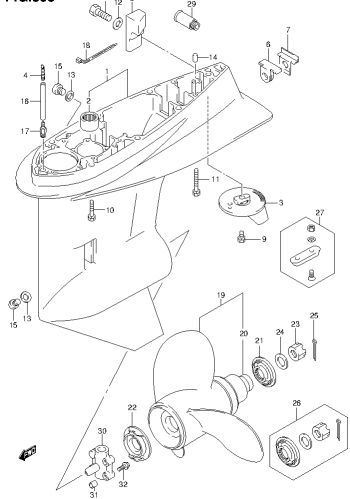
DF80A_E01_014_363
GEAR CASE

FIG.364



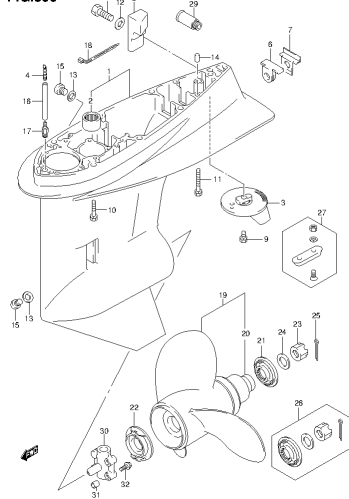
DF80A_E01_014_364
GEAR CASE

FIG.365



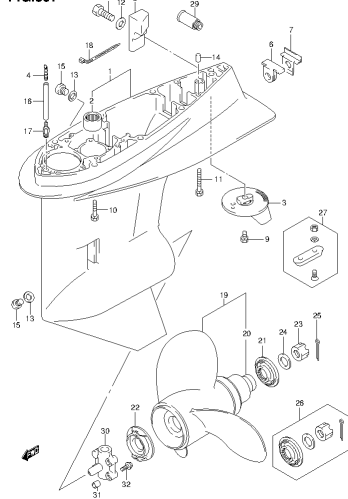
DF80A_E01_014_365
GEAR CASE

FIG.366



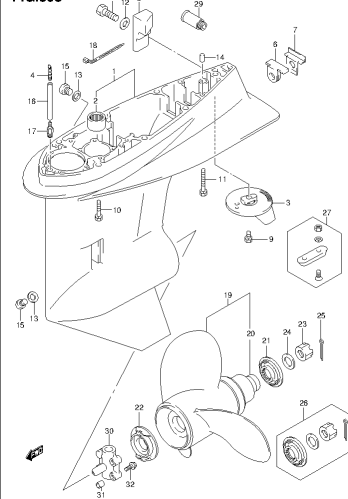
DF80A_E01_014_366
GEAR CASE

FIG.367



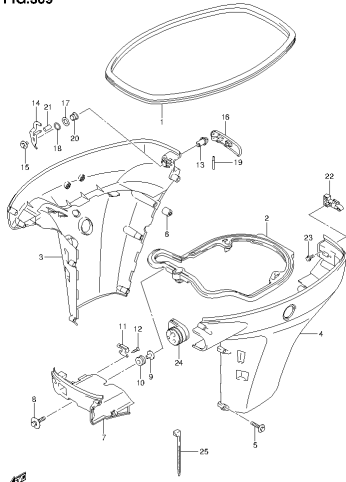
DF80A_E01_014_367
GEAR CASE

FIG.368



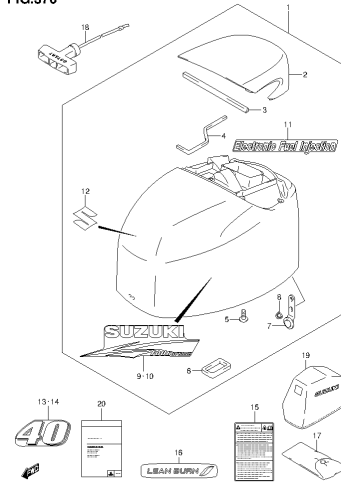
DF80A_E01_014_368
GEAR CASE

FIG.369



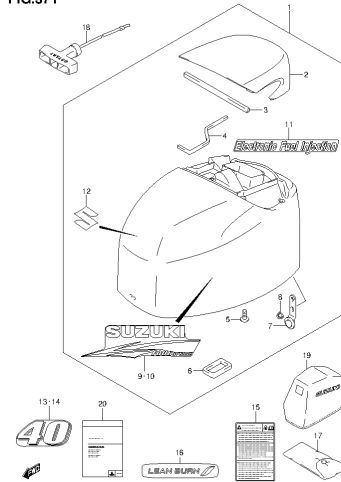
DF80A_E01_014_369
SIDE COVER

FIG.370



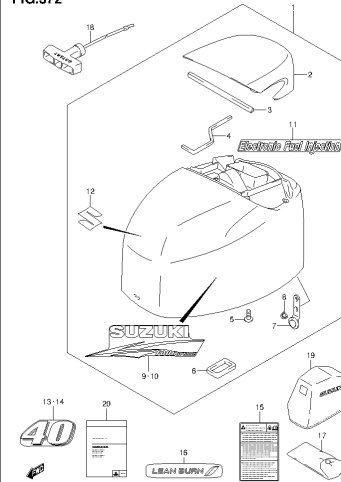
DF80A_E01_014_370
ENGINE COVER

FIG.371



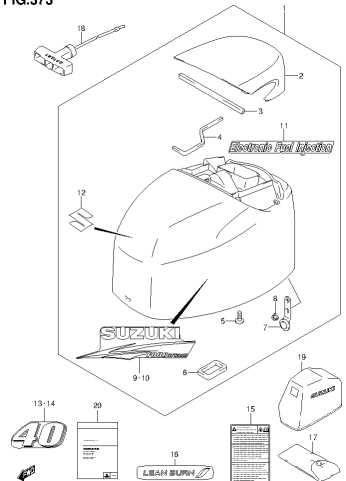
DF80A_E01_014_371
ENGINE COVER

FIG.372



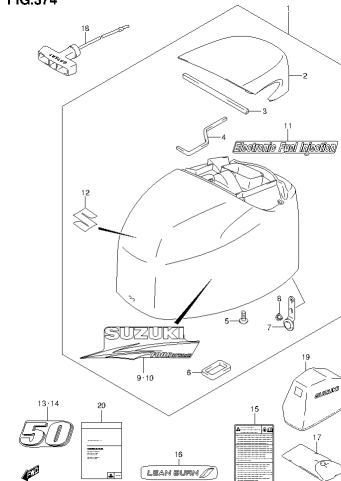
DF80A_E01_014_372
ENGINE COVER

FIG.373



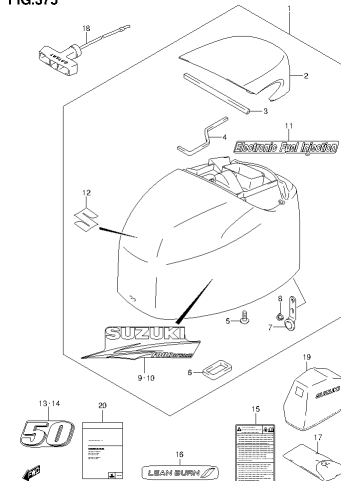
DF80A_E01_014_373
ENGINE COVER

FIG.374



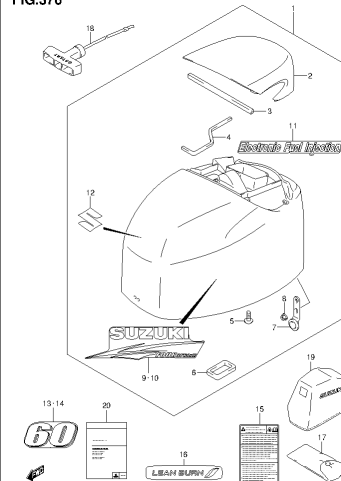
DF80A_E01_014_374
ENGINE COVER

FIG.375



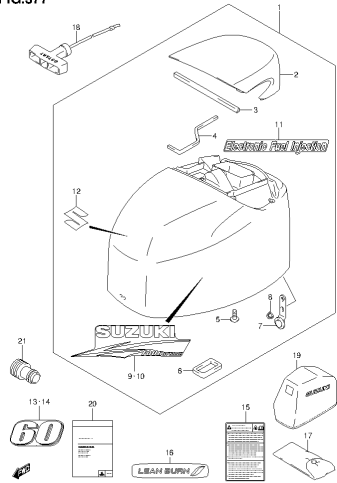
DF80A_E01_014_375
ENGINE COVER

FIG.376



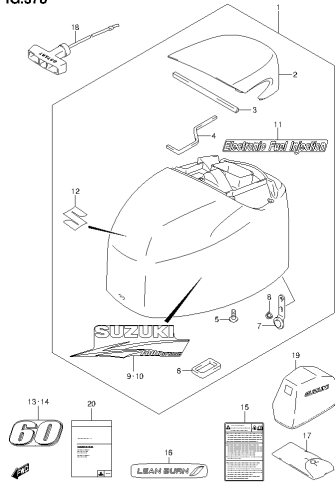
DF80A_E01_014_376
ENGINE COVER

FIG.377



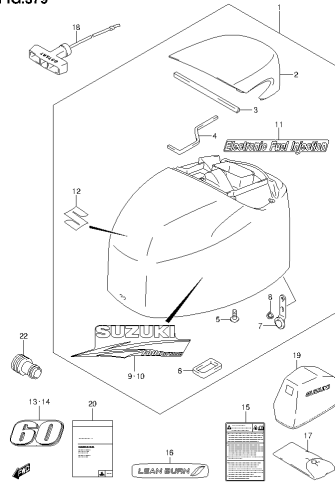
DF80A_E01_014_377
ENGINE COVER

FIG.378



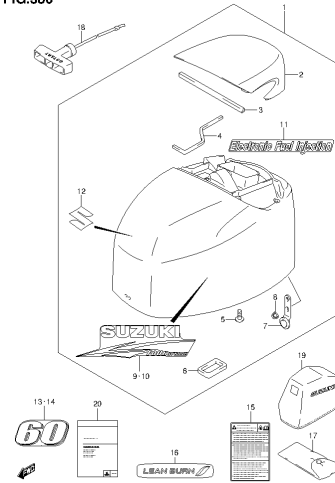
DF80A_E01_014_378
ENGINE COVER

FIG.379



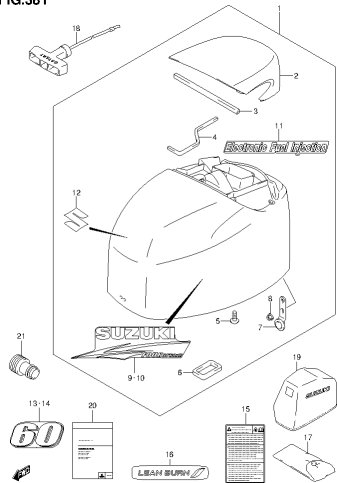
DF80A_E01_014_379
ENGINE COVER

FIG.380



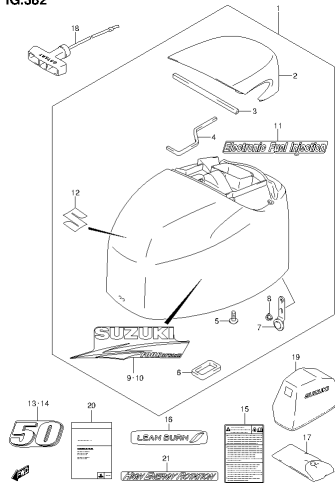
DF80A_E01_014_380
ENGINE COVER

FIG.381



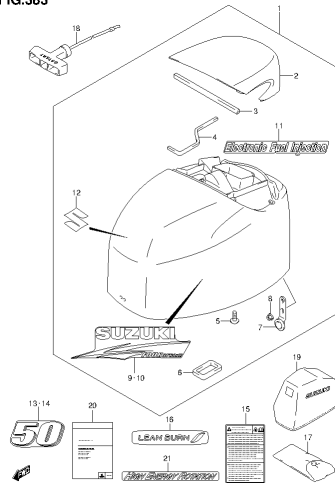
DF80A_E01_014_381
ENGINE COVER

FIG.382



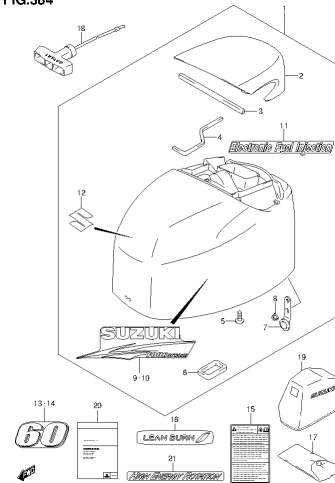
DF80A_E01_014_382
ENGINE COVER

FIG.383



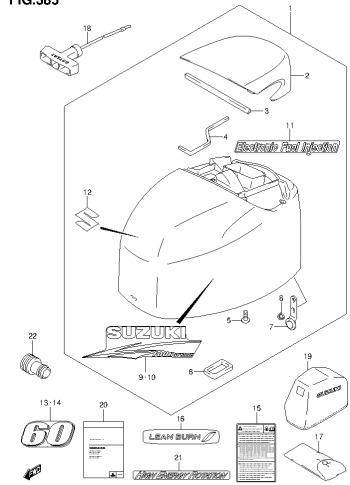
DF80A_E01_014_383
ENGINE COVER

FIG.384



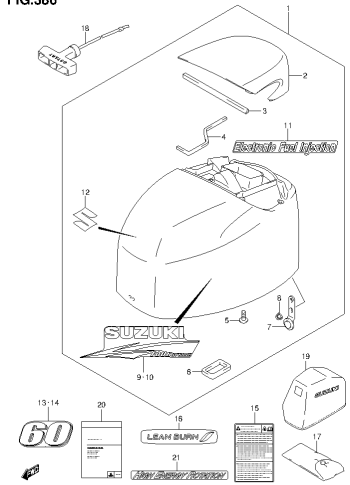
DF80A_E01_014_384
ENGINE COVER

FIG.385



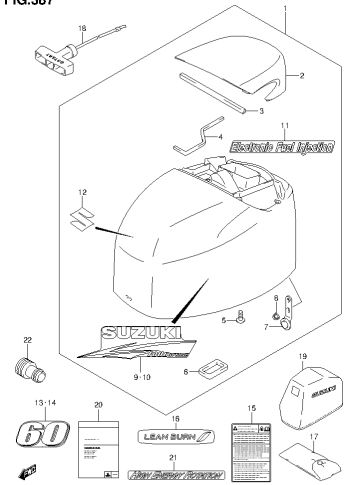
DF80A_E01_014_385
ENGINE COVER

FIG.386



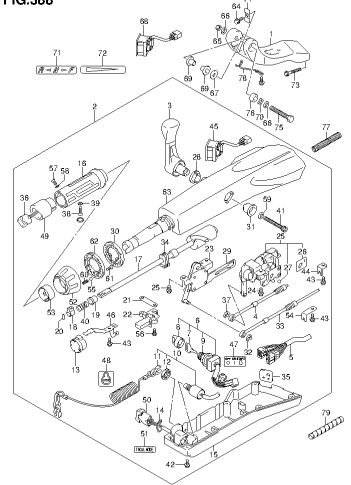
DF80A_E01_014_386
ENGINE COVER

FIG.387



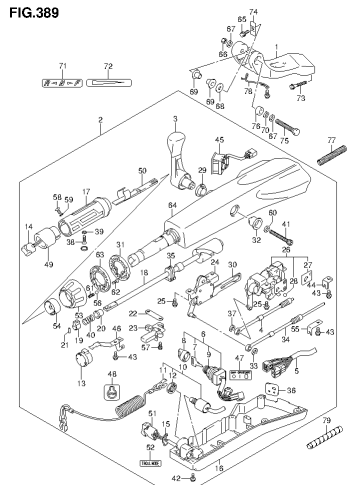
DF80A_E01_014_387
ENGINE COVER

FIG.388



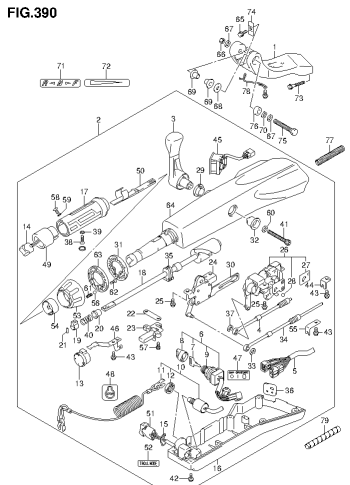
DF80A_E01_014_388
TILLER HANDLE

FIG.389



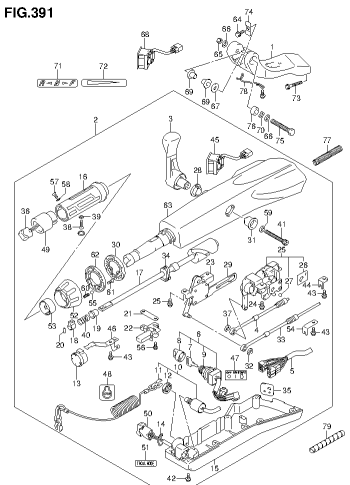
DF80A_E01_014_389
TILLER HANDLE

FIG.390



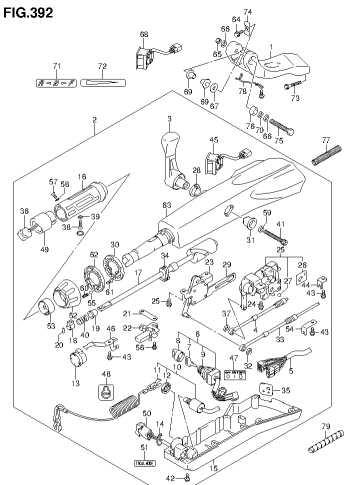
DF80A_E01_014_390
TILLER HANDLE

FIG.391



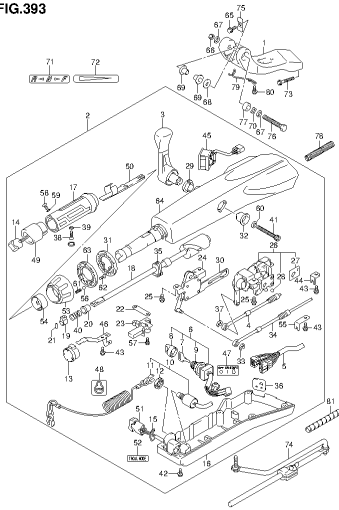
DF80A_E01_014_391
TILLER HANDLE

FIG.392



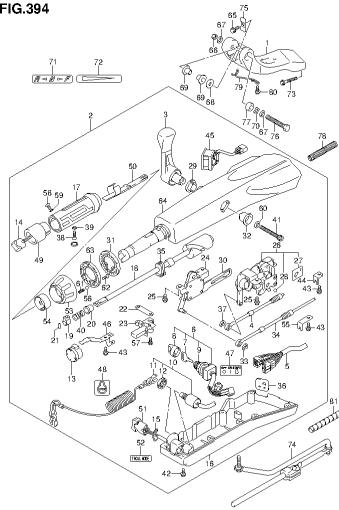
DF80A_E01_014_392
TILLER HANDLE

FIG.393



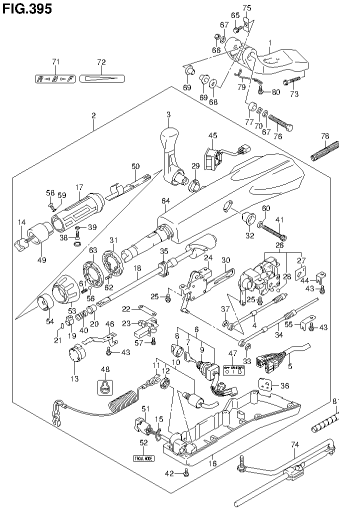
DF80A_E01_014_393
TILLER HANDLE

FIG.394



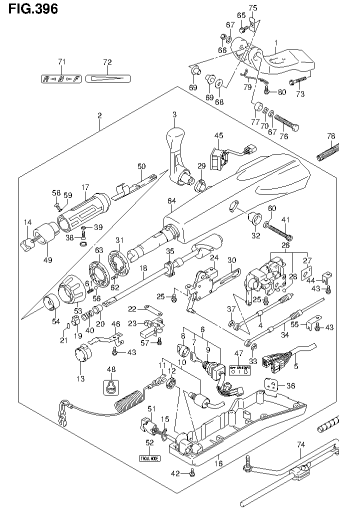
DF80A_E01_014_394
TILLER HANDLE

FIG.395



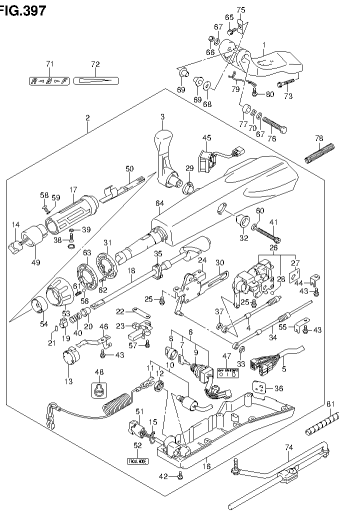
DF80A_E01_014_395
TILLER HANDLE

FIG.396



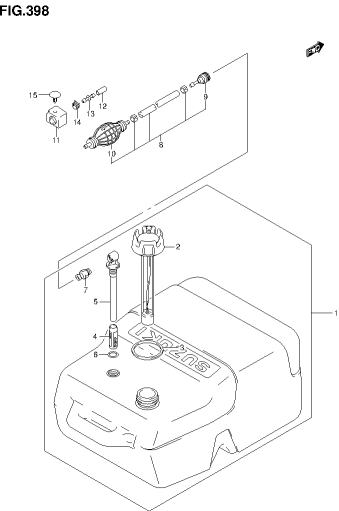
DF80A_E01_014_396
TILLER HANDLE

FIG.397



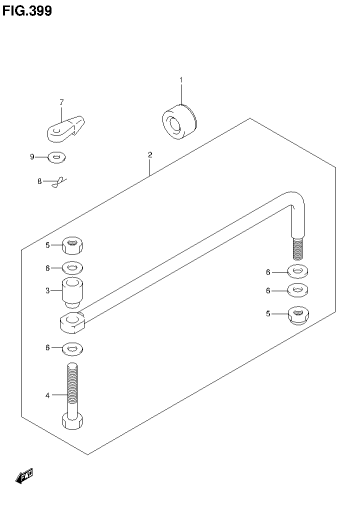
DF80A_E01_014_397
TILLER HANDLE

FIG.398



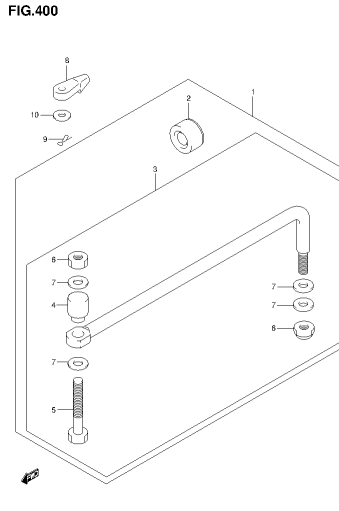
DF80A_E01_014_398
FUEL TANK (PLASTIC)

FIG.399



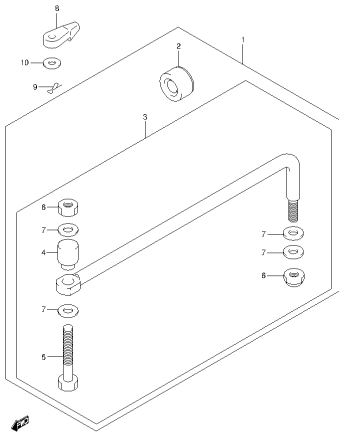
DF80A_E01_014_399
DRAG LINK

FIG.400



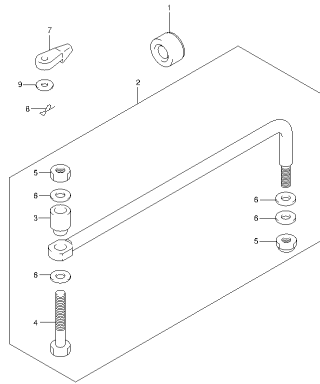
DF80A_E01_014_400
DRAG LINK

FIG.401



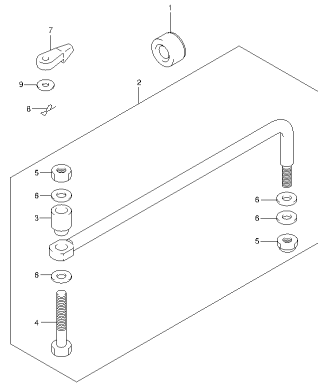
DF80A_E01_014_401
DRAG LINK

FIG.402



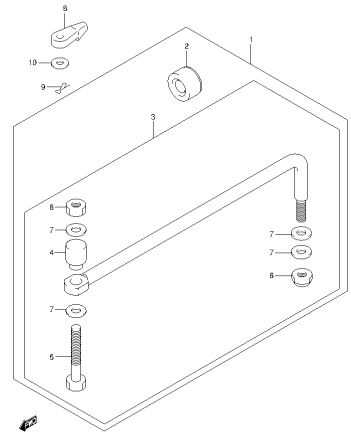
DF80A_E01_014_402
DRAG LINK

FIG.403



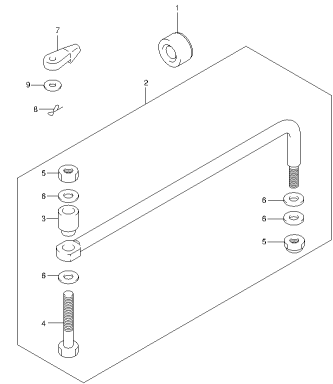
DF80A_E01_014_403
DRAG LINK

FIG.404



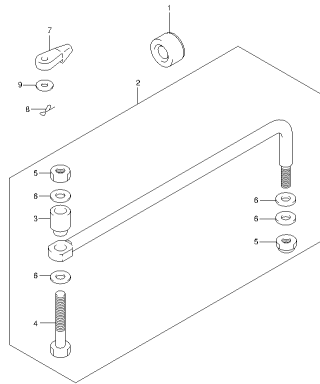
DF80A_E01_014_404
DRAG LINK

FIG.405



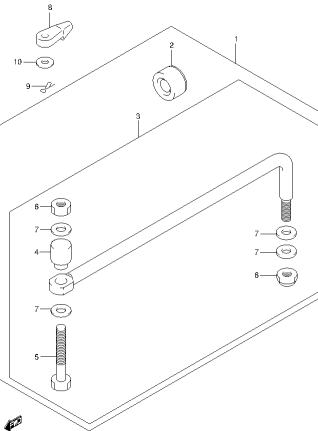
DF80A_E01_014_405
DRAG LINK

FIG.406



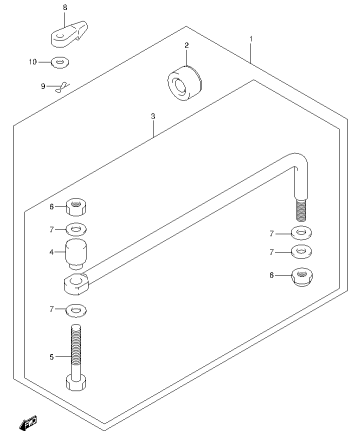
DF80A_E01_014_406
DRAG LINK

FIG.407



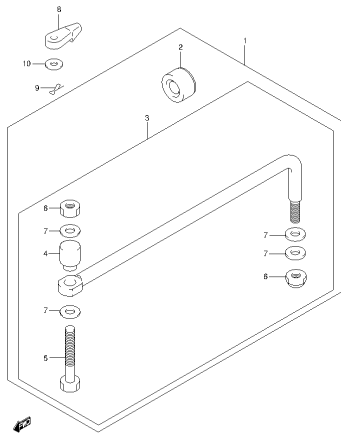
DF80A_E01_014_407
DRAG LINK

FIG.408



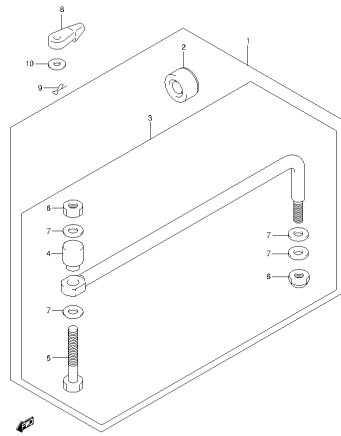
DF80A_E01_014_408
DRAG LINK

FIG.409



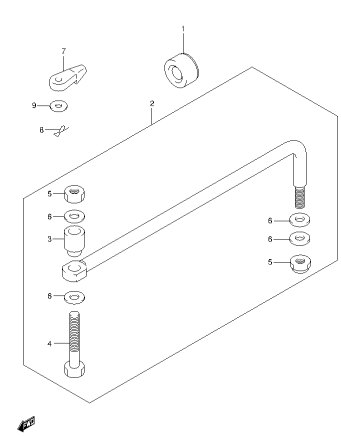
DF80A_E01_014_409
DRAG LINK

FIG.410



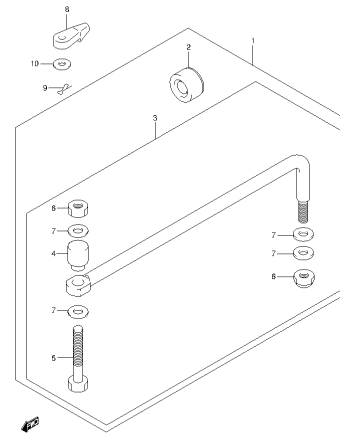
DF80A_E01_014_410
DRAG LINK

FIG.411



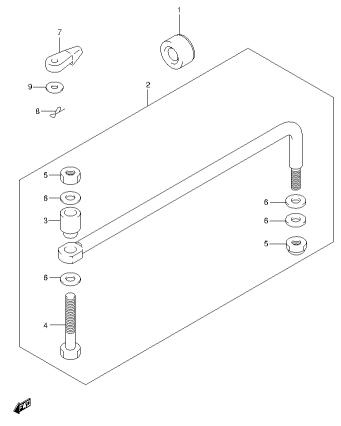
DF80A_E01_014_411
DRAG LINK

FIG.412



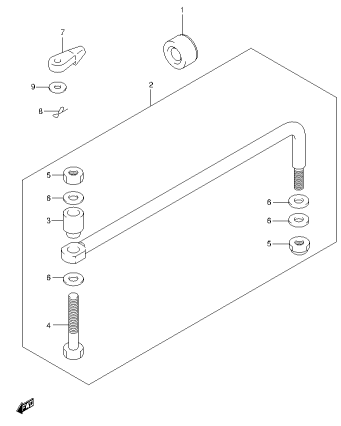
DF80A_E01_014_412
DRAG LINK

FIG.413



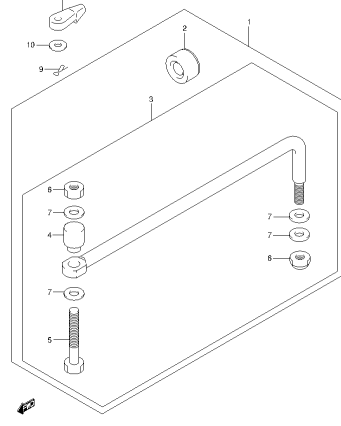
DF80A_E01_014_413
DRAG LINK

FIG.414



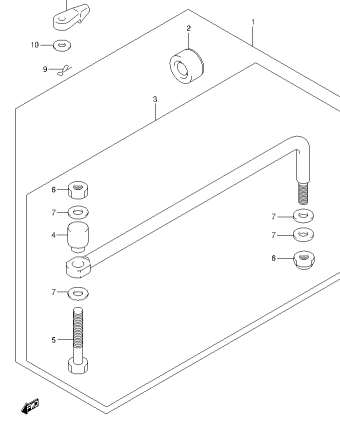
DF80A_E01_014_414
DRAG LINK

FIG.415



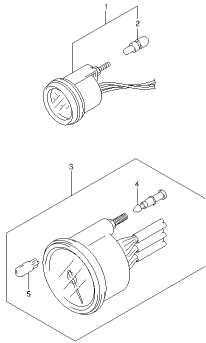
DF80A_E01_014_415
DRAG LINK

FIG.416



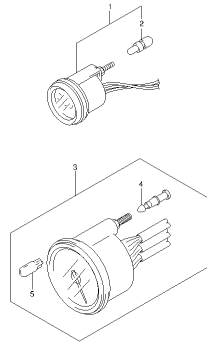
DF80A_E01_014_416
DRAG LINK

FIG.417



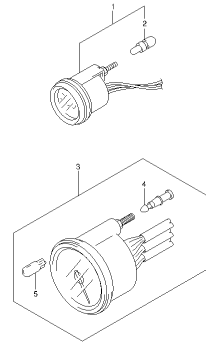
DF80A_E01_014_417
METER

FIG.418



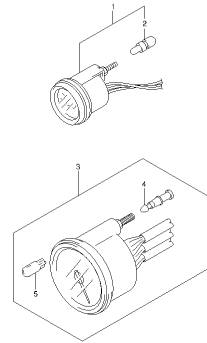
DF80A_E01_014_418
METER

FIG.419



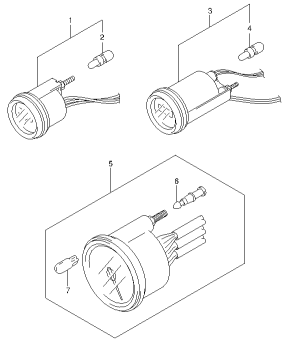
DF80A_E01_014_419
METER

FIG.420



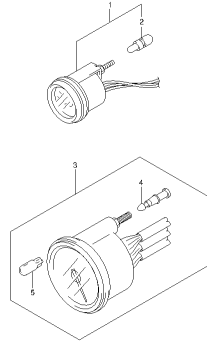
DF80A_E01_014_420
METER

FIG.421



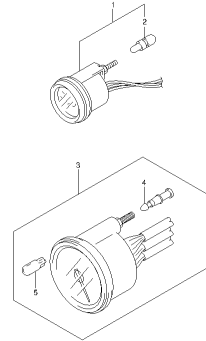
DF80A_E01_014_421
METER

FIG.422



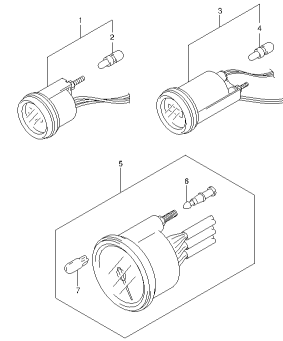
DF80A_E01_014_422
METER

FIG.423



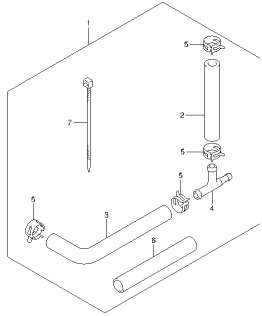
DF80A_E01_014_423
METER

FIG.424



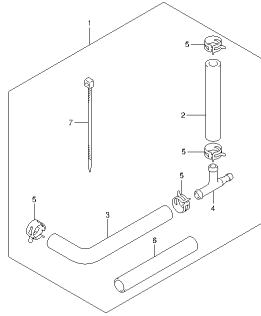
DF80A_E01_014_424
METER

FIG.425



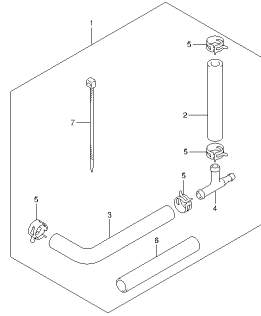
DF80A_E01_014_425
OPT.WATER PRESSURE GAUGE SUB KIT

FIG.426



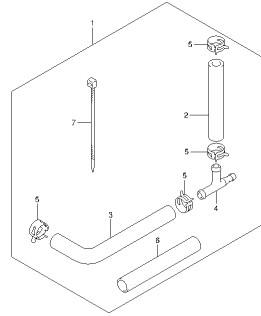
DF80A_E01_014_426
OPT.WATER PRESSURE GAUGE SUB KIT

FIG.427



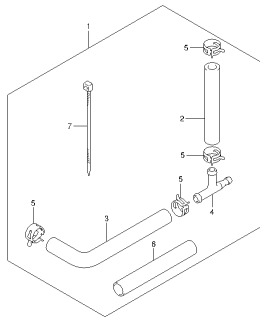
DF80A_E01_014_427
OPT.WATER PRESSURE GAUGE SUB KIT

FIG.428



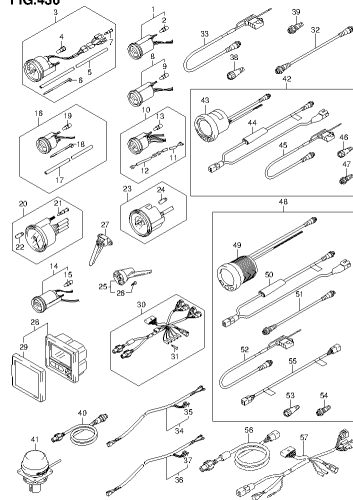
DF80A_E01_014_428
OPT.WATER PRESSURE GAUGE SUB KIT

FIG.429



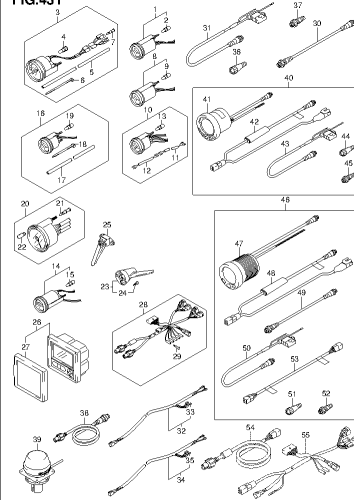
DF80A_E01_014_429
OPT.WATER PRESSURE GAUGE SUB KIT

FIG.430



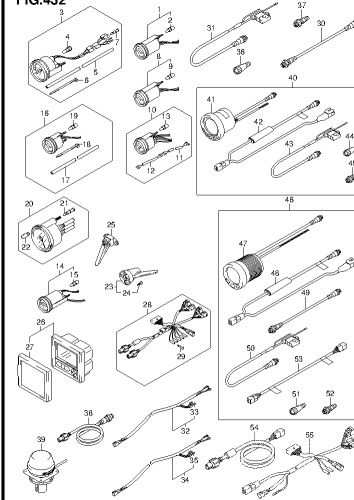
DF80A_E01_014_430
OPT.METER

FIG.431

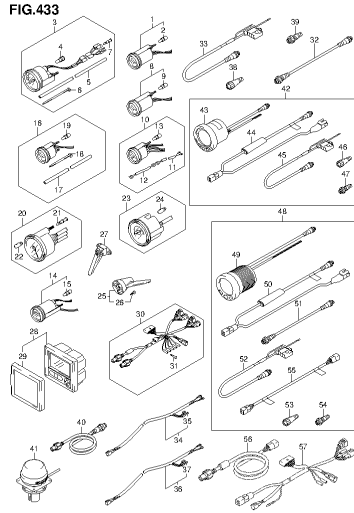


DF80A_E01_014_431
OPT.METER

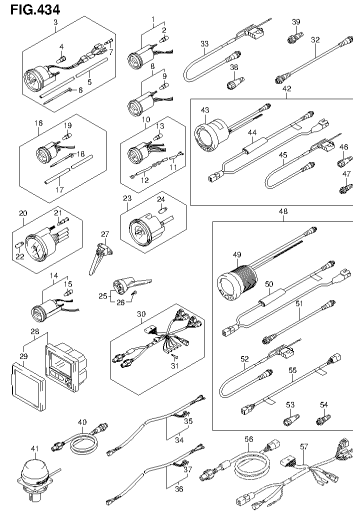
FIG.432



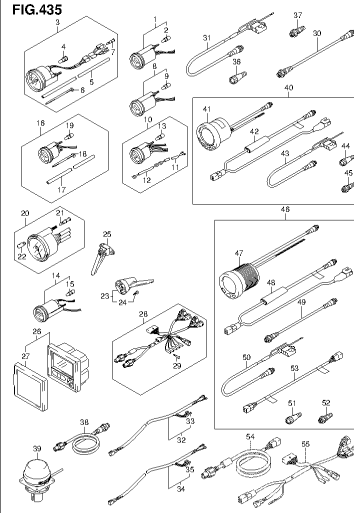
DF80A_E01_014_432
OPT.METER



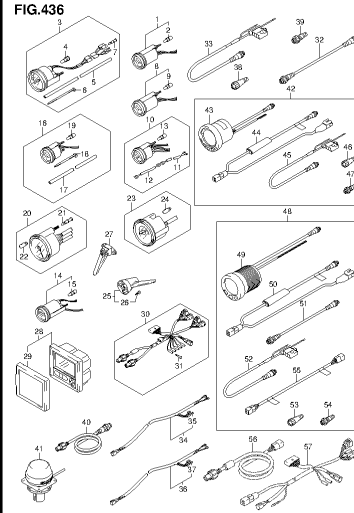
DF80A_E01_014_433
OPT.METER



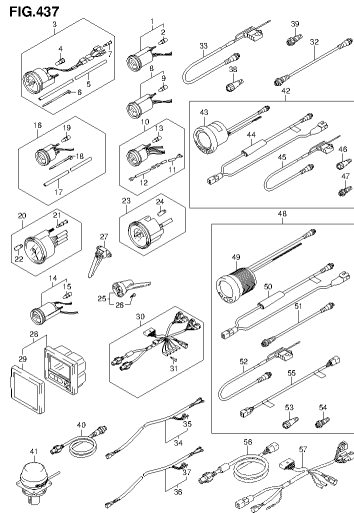
DF80A_E01_014_434
OPT.METER



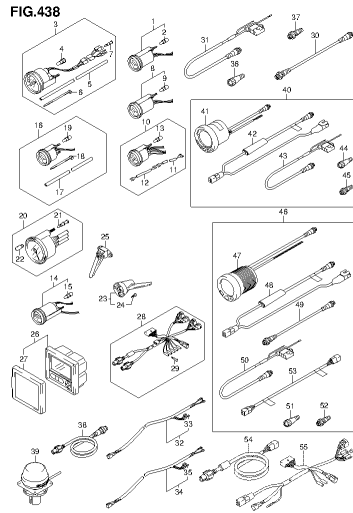
DF80A_E01_014_435
OPT.METER



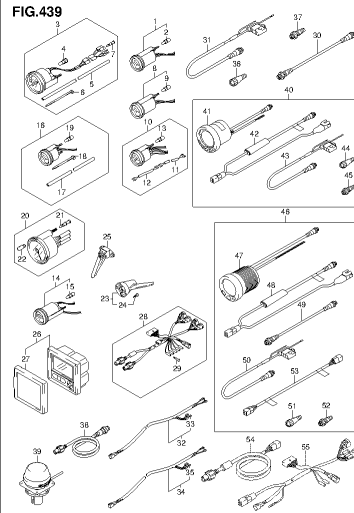
DF80A_E01_014_436
OPT.METER



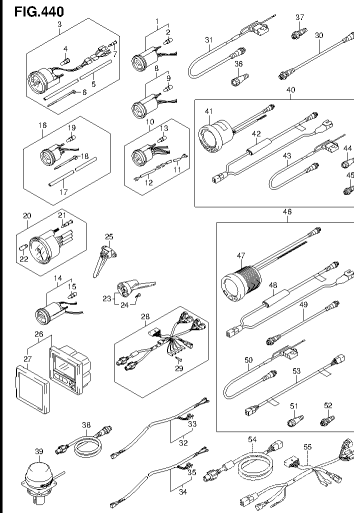
DF80A_E01_014_437
OPT.METER



DF80A_E01_014_438
OPT.METER

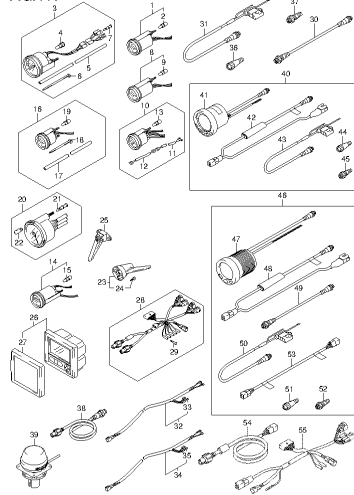


DF80A_E01_014_439
OPT.METER



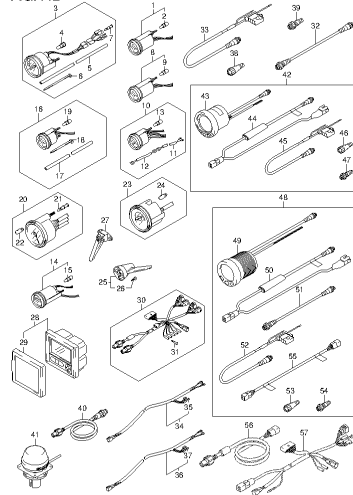
DF80A_E01_014_440
OPT.METER

FIG.441



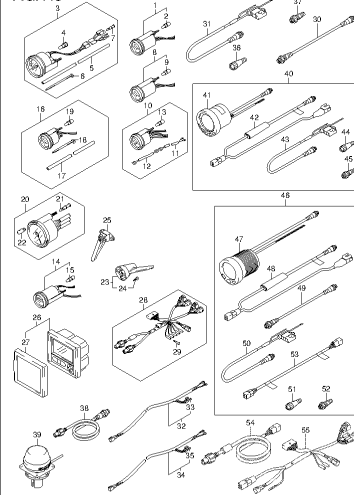
DF80A_E01_014_441
OPT.METER

FIG.442



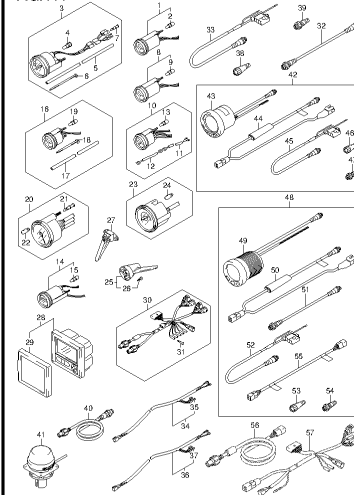
DF80A_E01_014_442
OPT.METER

FIG.443



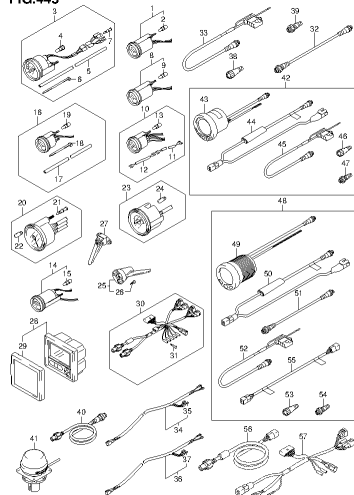
DF80A_E01_014_443
OPT.METER

FIG.444



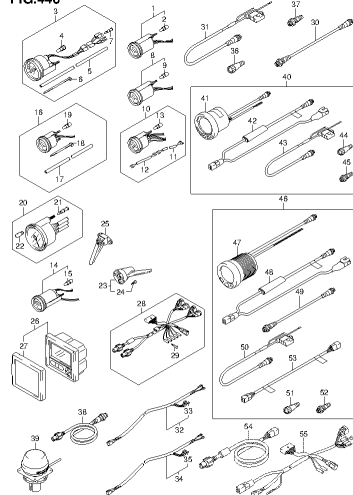
DF80A_E01_014_444
OPT.METER

FIG.445



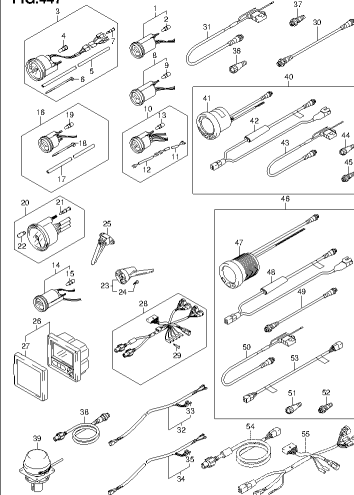
DF80A_E01_014_445
OPT.METER

FIG.446



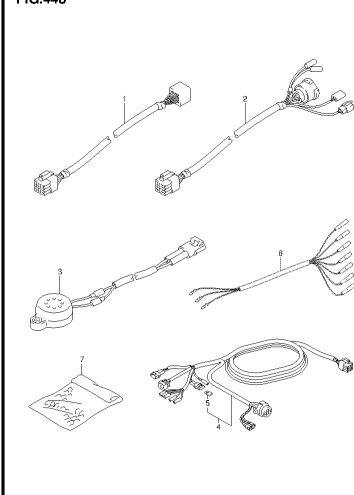
DF80A_E01_014_446
OPT.METER

FIG.447



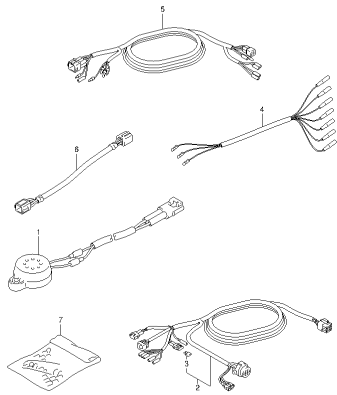
DF80A_E01_014_447
OPT.METER

FIG.448



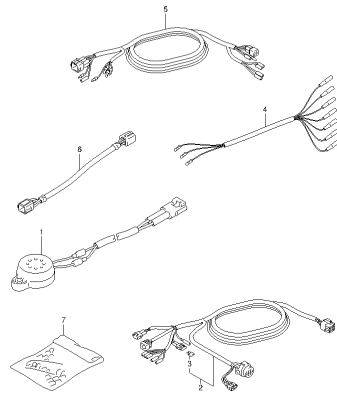
DF80A_E01_014_448
OPT.HARNES

FIG.449



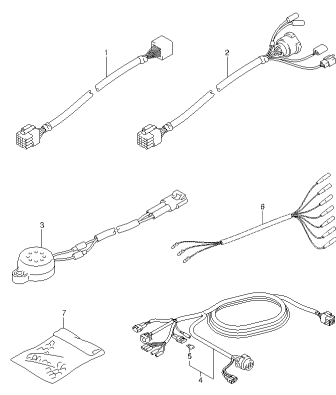
DF80A_E01_014_449
OPT.HARNES

FIG.450



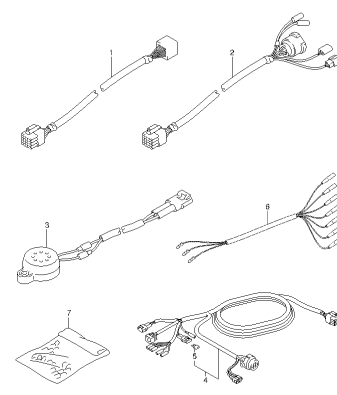
DF80A_E01_014_450
OPT.HARNES

FIG.451



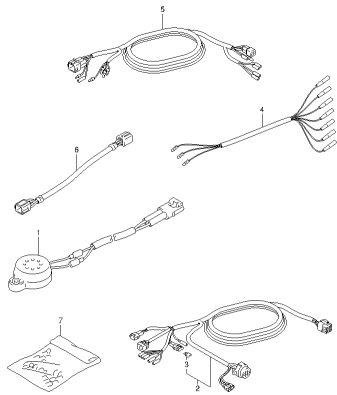
DF80A_E01_014_451
OPT.HARNES

FIG.452



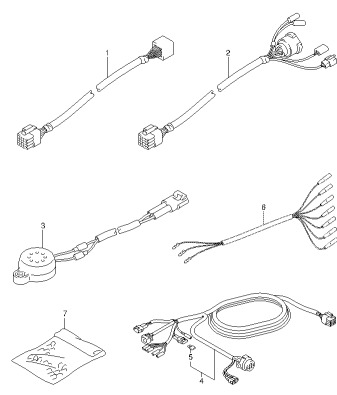
DF80A_E01_014_452
OPT.HARNES

FIG.453



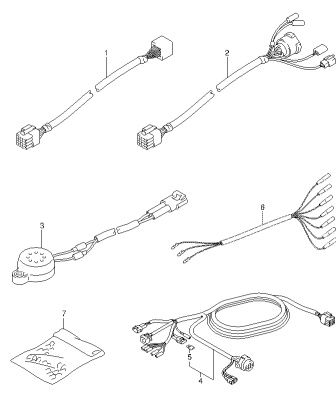
DF80A_E01_014_453
OPT.HARNES

FIG.454



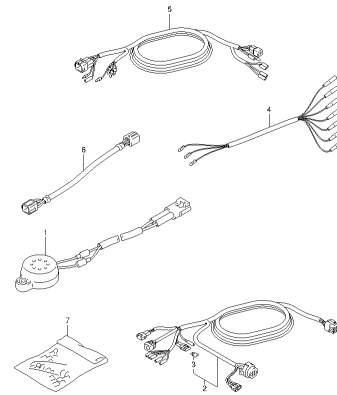
DF80A_E01_014_454
OPT.HARNES

FIG.455



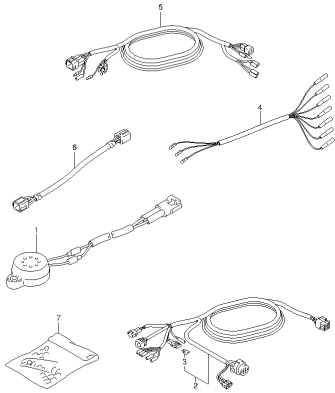
DF80A_E01_014_455
OPT.HARNES

FIG.456



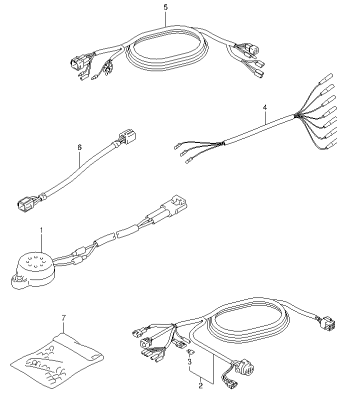
DF80A_E01_014_456
OPT.HARNES

FIG.457



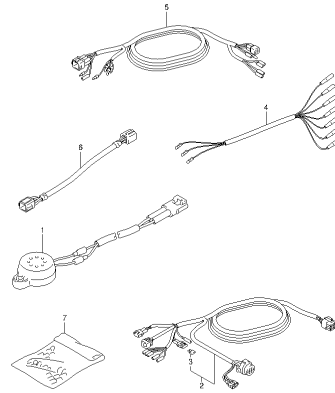
DF80A_E01_014_457
OPT.HARNNESS

FIG.458



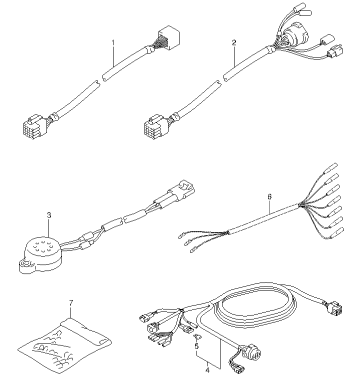
DF80A_E01_014_458
OPT.HARNNESS

FIG.459



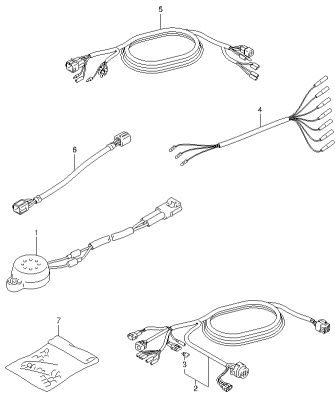
DF80A_E01_014_459
OPT.HARNNESS

FIG.460



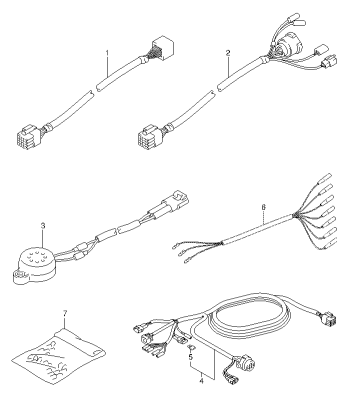
DF80A_E01_014_460
OPT.HARNNESS

FIG.461



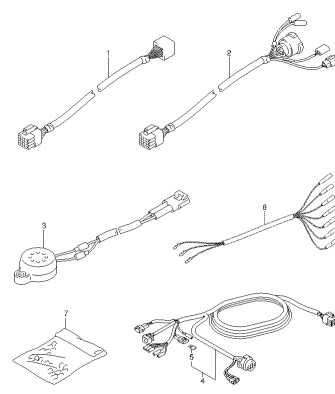
DF80A_E01_014_461
OPT.HARNNESS

FIG.462



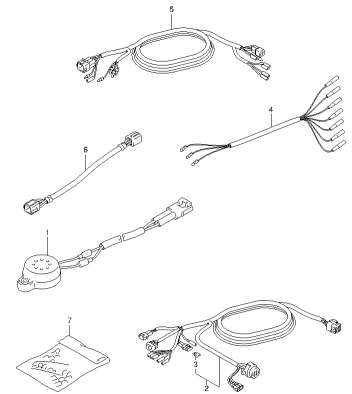
DF80A_E01_014_462
OPT.HARNNESS

FIG.463



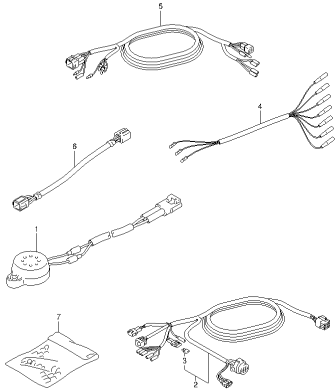
DF80A_E01_014_463
OPT.HARNNESS

FIG.464



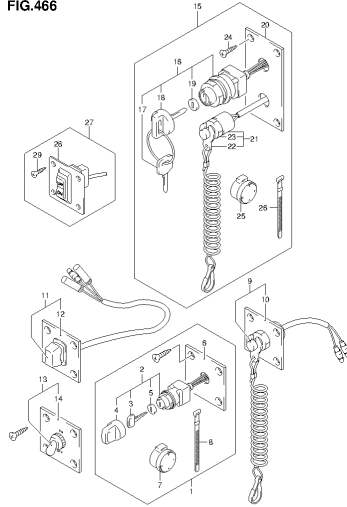
DF80A_E01_014_464
OPT.HARNNESS

FIG.465



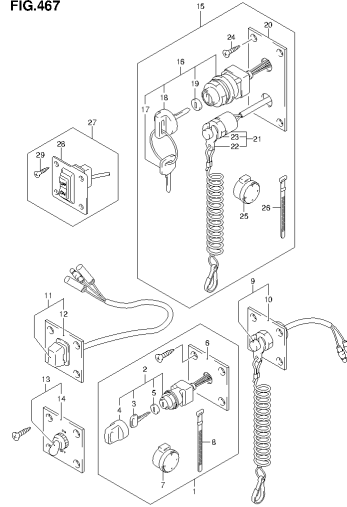
DF80A_E01_014_465
OPT.HARNES

FIG.466



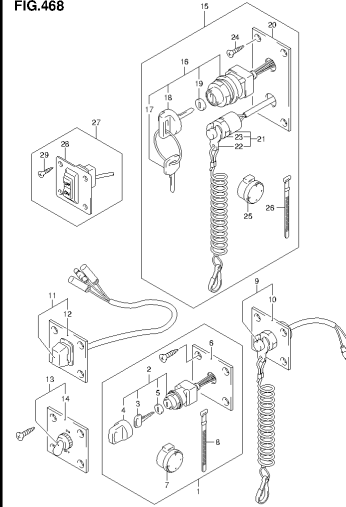
DF80A_E01_014_466
OPT.SWITCH

FIG.467



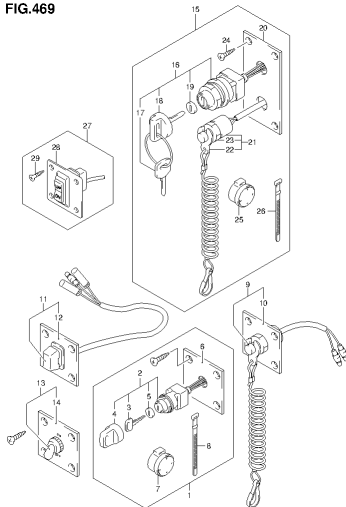
DF80A_E01_014_467
OPT.SWITCH

FIG.468



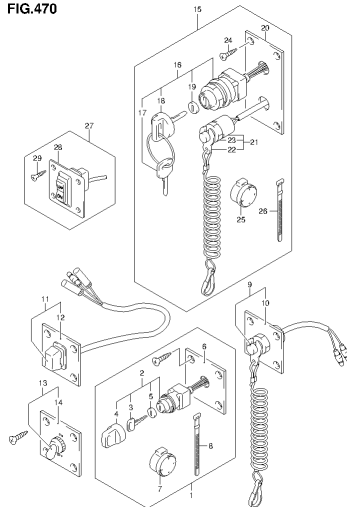
DF80A_E01_014_468
OPT.SWITCH

FIG.469



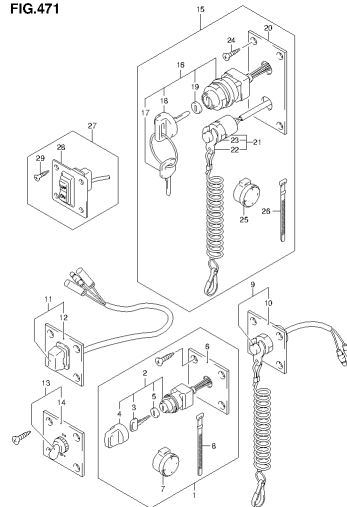
DF80A_E01_014_469
OPT.SWITCH

FIG.470



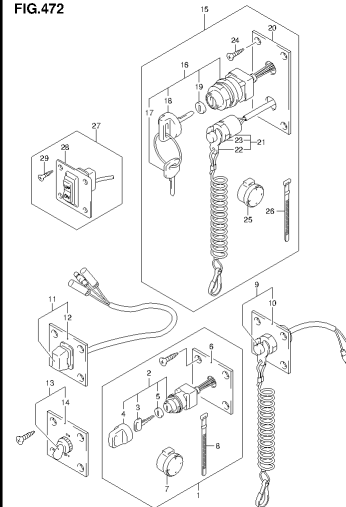
DF80A_E01_014_470
OPT.SWITCH

FIG.471



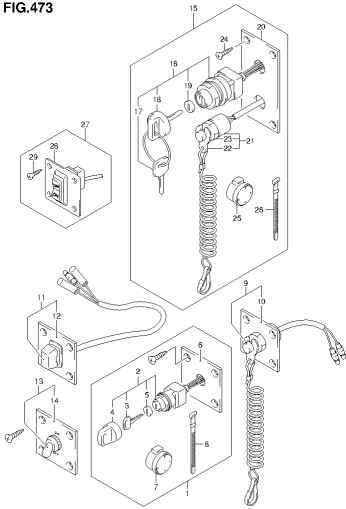
DF80A_E01_014_471
OPT.SWITCH

FIG.472



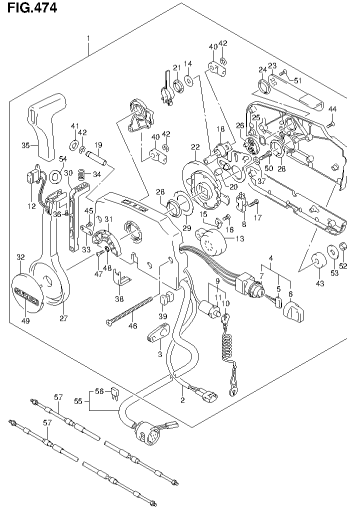
DF80A_E01_014_472
OPT.SWITCH

FIG.473



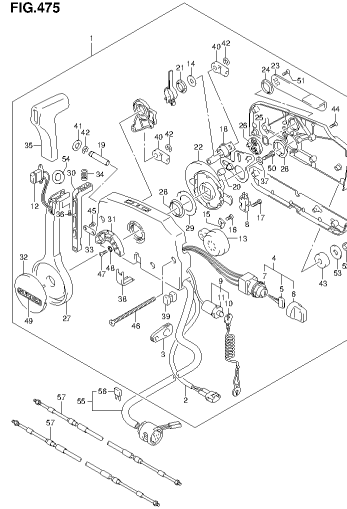
DF80A_E01_014_473
OPT. SWITCH

FIG.474



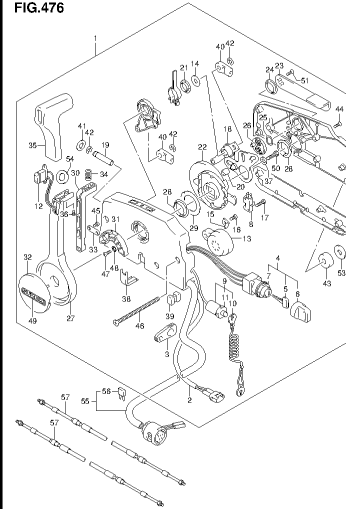
DF80A_E01_014_474
OPT. REMOTE CONTROL

FIG.475



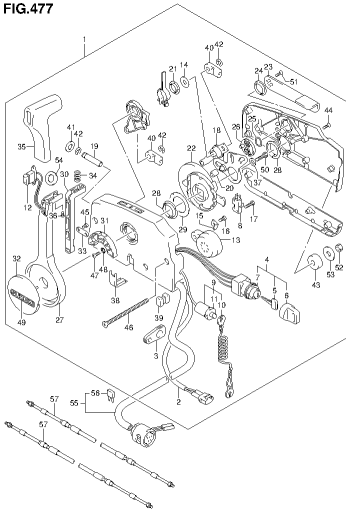
DF80A_E01_014_475
OPT. REMOTE CONTROL

FIG.476



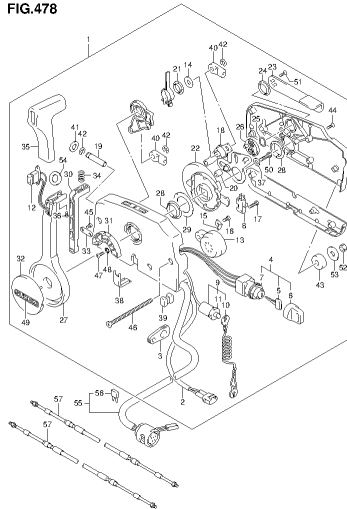
DF80A_E01_014_476
OPT. REMOTE CONTROL

FIG.477



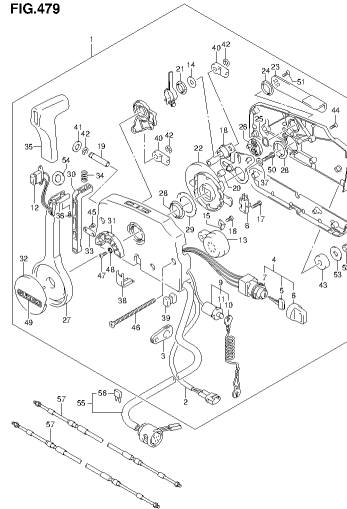
DF80A_E01_014_477
OPT. REMOTE CONTROL

FIG.478



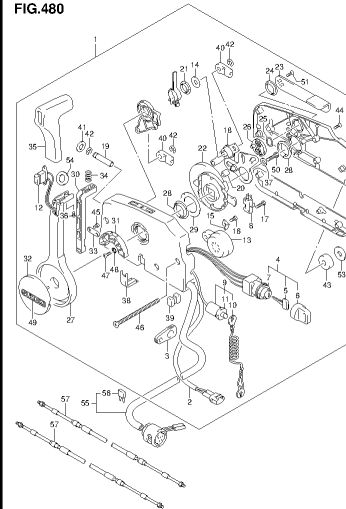
DF80A_E01_014_478
OPT. REMOTE CONTROL

FIG.479



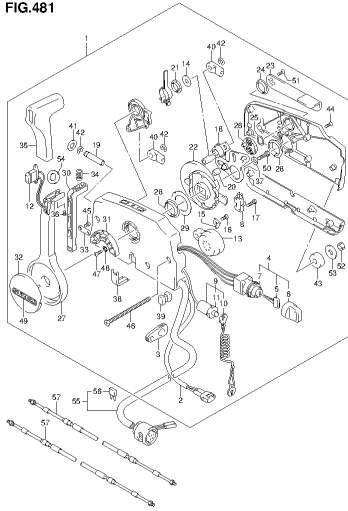
DF80A_E01_014_479
OPT. REMOTE CONTROL

FIG.480



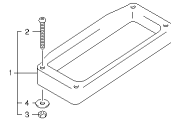
DF80A_E01_014_480
OPT. REMOTE CONTROL

FIG.481



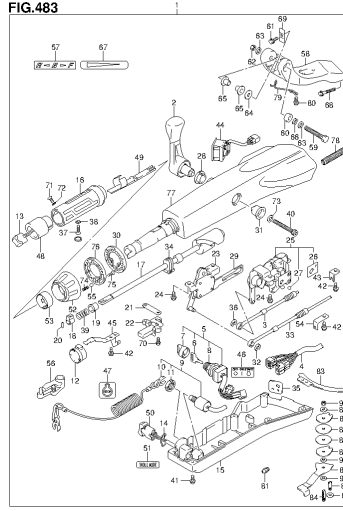
DFR0A_E01_014_481
OPT.REMOTE CONTROL

FIG.482



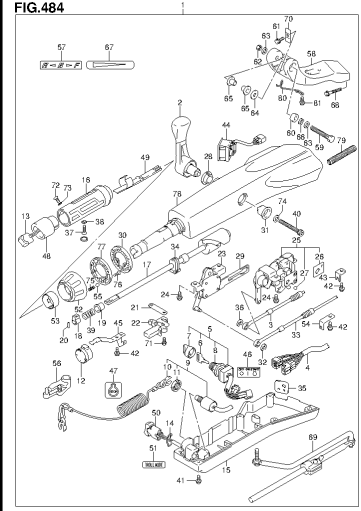
DFR0A_E01_014_482
OPT.REMOTE CONTROL SPACER

FIG.483



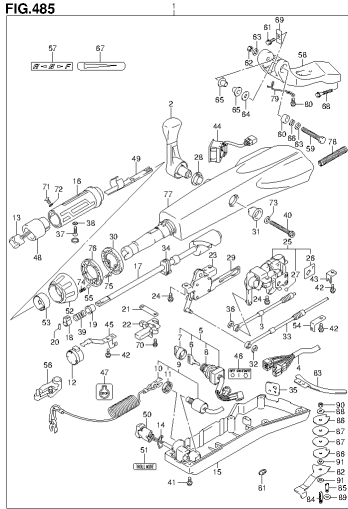
DFR0A_E01_014_483
OPT.TILLER HANDLE

FIG.484



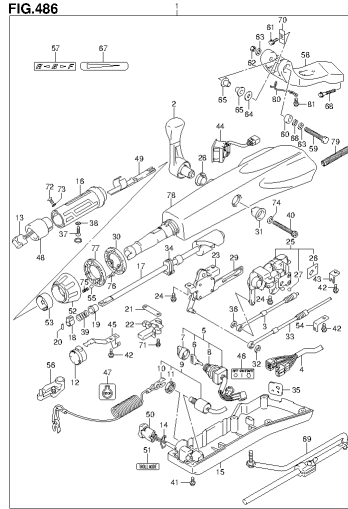
DFR0A_E01_014_484
OPT.TILLER HANDLE

FIG.485



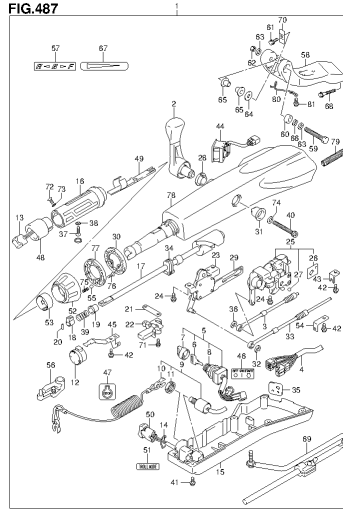
DFR0A_E01_014_485
OPT.TILLER HANDLE

FIG.486



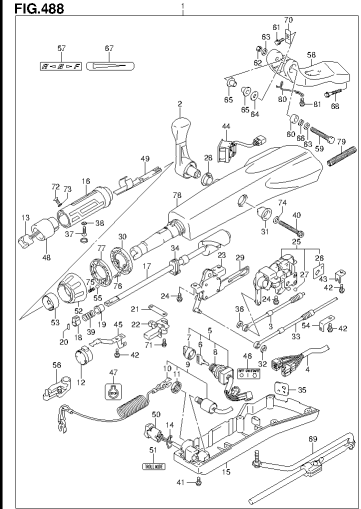
DFR0A_E01_014_486
OPT.TILLER HANDLE

FIG.487



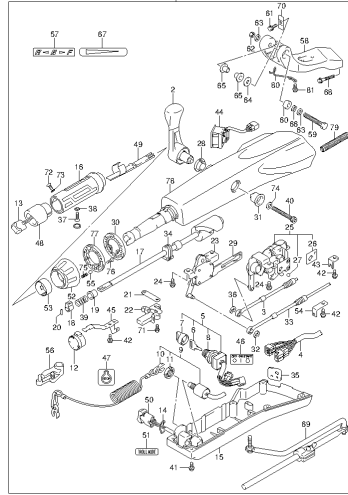
DFR0A_E01_014_487
OPT.TILLER HANDLE

FIG.488



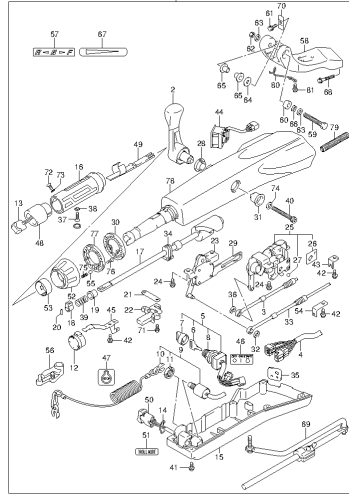
DFR0A_E01_014_488
OPT.TILLER HANDLE

FIG.489



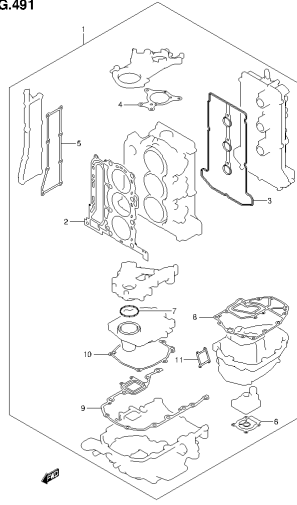
DF80A_E91_014_489
OPT. TILLER HANDLE

FIG.490



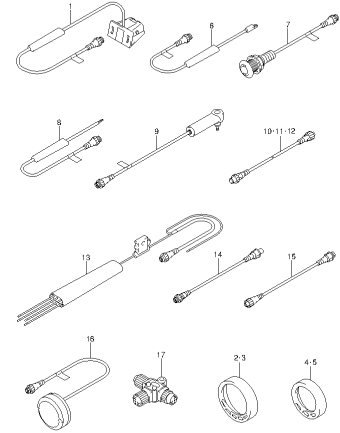
DF80A_E91_014_490
OPT. TILLER HANDLE

FIG.491



DF80A_E91_014_491
OPT. GASKET SET

FIG.492



DF80A_E91_014_492
OPT. LOWRANCE GAUGE

FIG.1

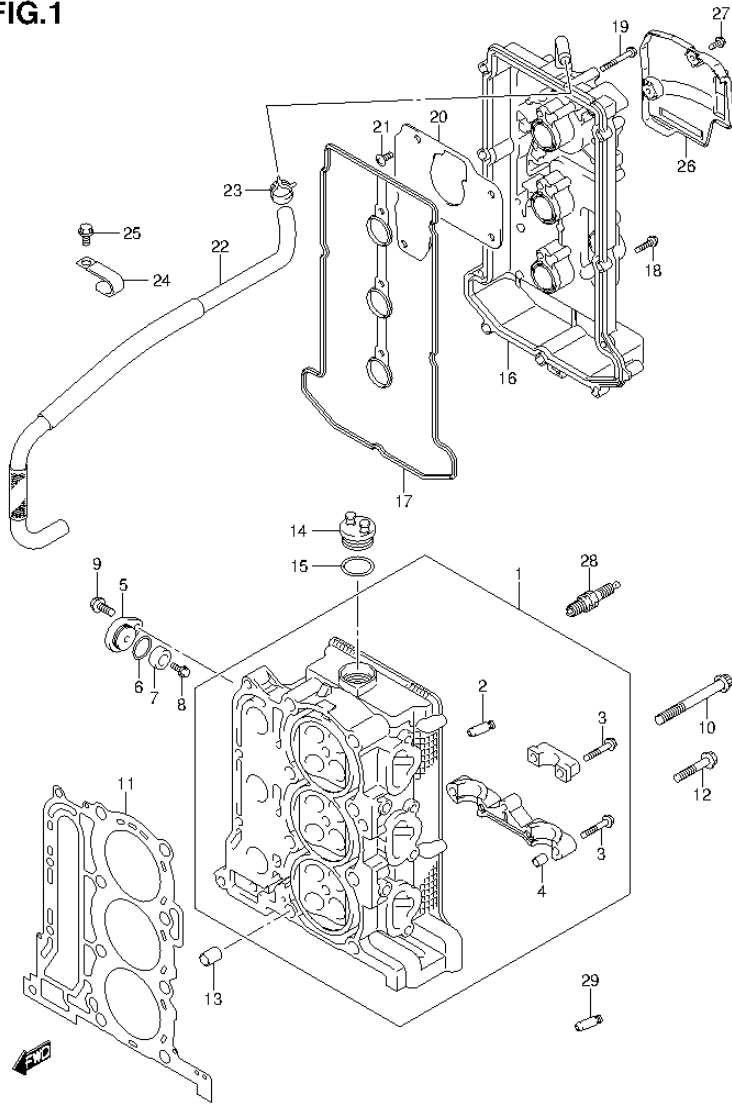


FIG.1 (1-B-2) CYLINDER HEAD (DF40A E01)

REF NO.	PART NO.	DESCRIPTION	Q'TY	REMARKS
1	11100-88L00	HEAD ASSY, CYLINDER	1	
2	11115-73G01-001	.GUIDE, VALVE	12	
3	09103-06266	.BOLT (6X40)	17	
4	09206-08001	.PIN (8X11)	14	
5	11261-93J00	COVER, PROTECTION ANODE	2	
6	09280-22019	O RING (D:1.9,ID:21.8)	2	
7-1	55321-87J00	ANODE, PROTECTION	2	
7-2	55321-87J10	ANODE (MAGNESIUM)	1	OPT
8	09103-06281	BOLT (6X14)	2	
9	01550-08207	BOLT	2	
10	11119-87J00	BOLT, CYLINDER HEAD (10X95)	8	
11	11141-88L00	GASKET, CYLINDER HEAD	1	
12	01550-08457	BOLT	4	
13	04211-13189	PIN	2	
14	11382-99E00	CAP, OIL FILLER	1	
15	09280-26006	O RING (D:3.1,ID:26.4)	1	
16	11170-88L10	COVER, CYLINDER HEAD	1	
17	11189-88L00	GASKET, CYLINDER HEAD COVER	1	
18	01547-06257	BOLT	9	
19	01547-06457	BOLT	3	
20	11173-88L00	PLATE, BREATHER	1	
21	02142-0612A	SCREW	4	
22	11174-88L00	HOSE, BREATHER	1	
23	09401-15414	CLIP	2	
24	09403-17303	CLAMP	2	
25	01550-06127	BOLT	2	
26	11194-88L10	GUARD, FUEL HOSE	1	
27	01550-06167	BOLT	2	
28	09482-00446	SPARK PLUG (DCPR6E)	3	NGK
29	11115-73G01-001	GUIDE, VALVE (OS)	4	OPT

FIG.2

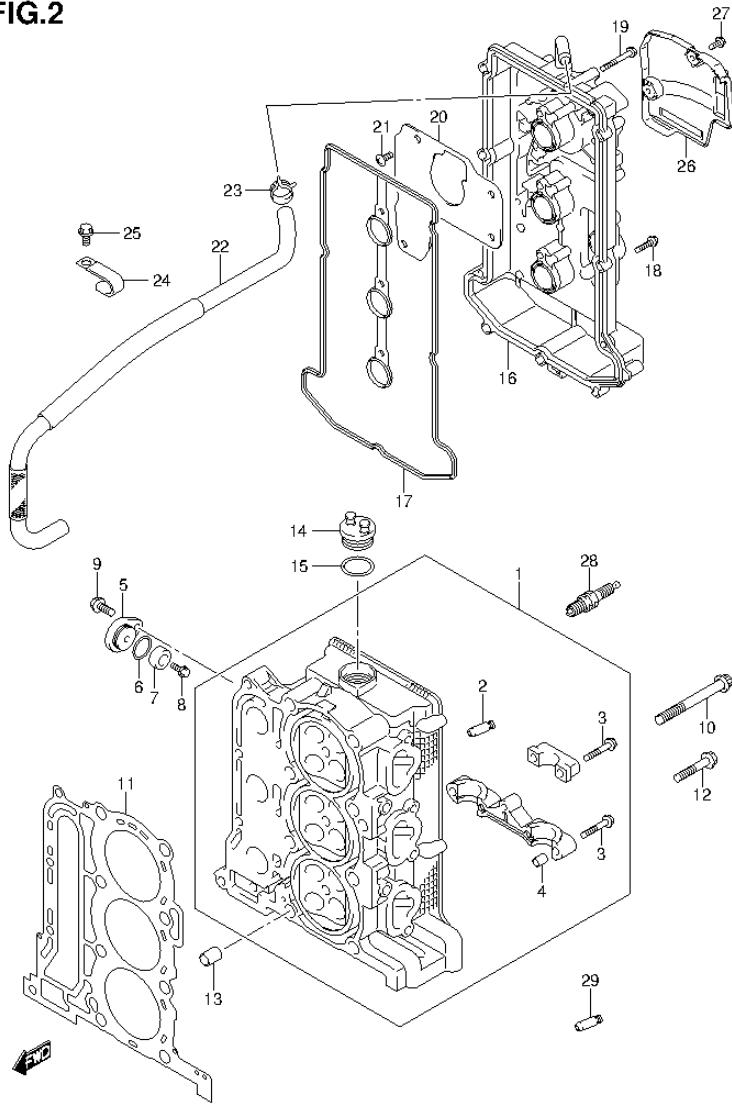


FIG.2 (1-B-3) CYLINDER HEAD (DF40AQH E01)

REF NO.	PART NO.	DESCRIPTION	Q'TY	REMARKS
1	11100-88L00	HEAD ASSY, CYLINDER	1	
2	11115-73G01-001	.GUIDE, VALVE	12	
3	09103-06266	.BOLT (6X40)	17	
4	09206-08001	.PIN (8X11)	14	
5	11261-93J00	COVER, PROTECTION ANODE	2	
6	09280-22019	O RING (D:1.9,ID:21.8)	2	
7-1	55321-87J00	ANODE, PROTECTION	2	
7-2	55321-87J10	ANODE (MAGNESIUM)	1	OPT
8	09103-06281	BOLT (6X14)	2	
9	01550-08207	BOLT	2	
10	11119-87J00	BOLT, CYLINDER HEAD (10X95)	8	
11	11141-88L00	GASKET, CYLINDER HEAD	1	
12	01550-08457	BOLT	4	
13	04211-13189	PIN	2	
14	11382-99E00	CAP, OIL FILLER	1	
15	09280-26006	O RING (D:3.1,ID:26.4)	1	
16	11170-88L10	COVER, CYLINDER HEAD	1	
17	11189-88L00	GASKET, CYLINDER HEAD COVER	1	
18	01547-06257	BOLT	9	
19	01547-06457	BOLT	3	
20	11173-88L00	PLATE, BREATHER	1	
21	02142-0612A	SCREW	4	
22	11174-88L00	HOSE, BREATHER	1	
23	09401-15414	CLIP	2	
24	09403-17303	CLAMP	2	
25	01550-06127	BOLT	2	
26	11194-88L10	GUARD, FUEL HOSE	1	
27	01550-06167	BOLT	2	
28	09482-00446	SPARK PLUG (DCPR6E)	3	NGK
29	11115-73G01-001	GUIDE, VALVE (OS)	4	OPT

FIG.3

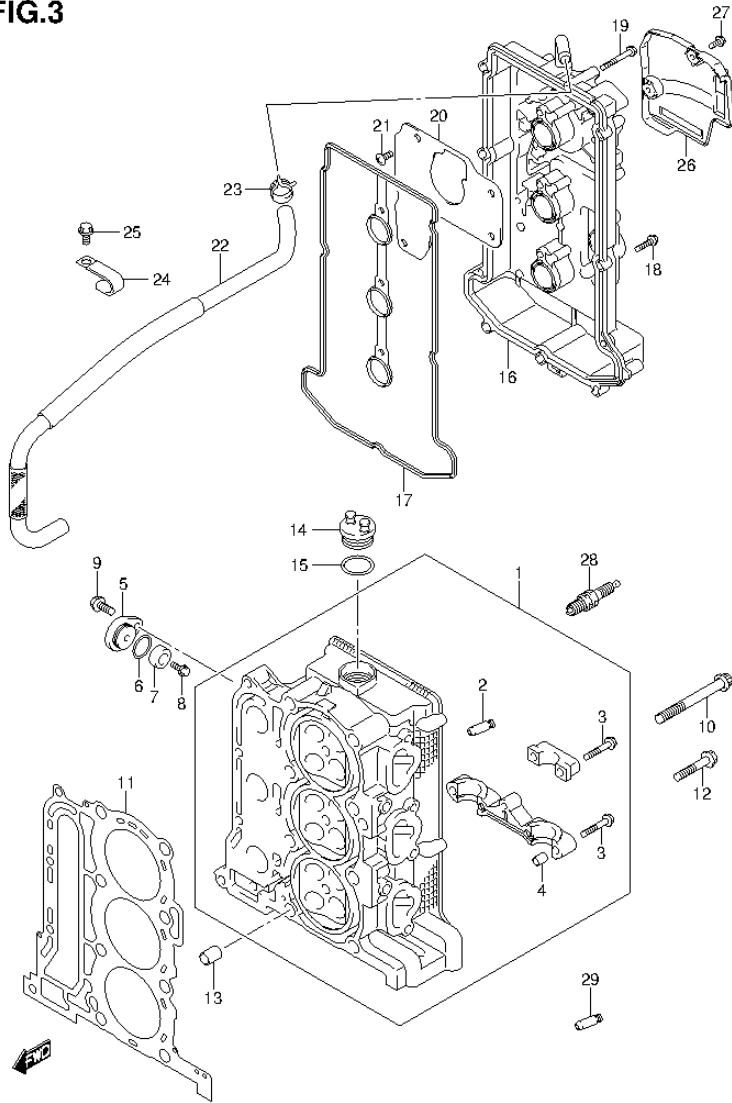


FIG.3 (1-B-4) CYLINDER HEAD (DF40ATH E01)

REF NO.	PART NO.	DESCRIPTION	Q'TY	REMARKS
1	11100-88L00	HEAD ASSY, CYLINDER	1	
2	11115-73G01-001	.GUIDE, VALVE	12	
3	09103-06266	.BOLT (6X40)	17	
4	09206-08001	.PIN (8X11)	14	
5	11261-93J00	COVER, PROTECTION ANODE	2	
6	09280-22019	O RING (D:1.9,ID:21.8)	2	
7-1	55321-87J00	ANODE, PROTECTION	2	
7-2	55321-87J10	ANODE (MAGNESIUM)	1	OPT
8	09103-06281	BOLT (6X14)	2	
9	01550-08207	BOLT	2	
10	11119-87J00	BOLT, CYLINDER HEAD (10X95)	8	
11	11141-88L00	GASKET, CYLINDER HEAD	1	
12	01550-08457	BOLT	4	
13	04211-13189	PIN	2	
14	11382-99E00	CAP, OIL FILLER	1	
15	09280-26006	O RING (D:3.1,ID:26.4)	1	
16	11170-88L10	COVER, CYLINDER HEAD	1	
17	11189-88L00	GASKET, CYLINDER HEAD COVER	1	
18	01547-06257	BOLT	9	
19	01547-06457	BOLT	3	
20	11173-88L00	PLATE, BREATHER	1	
21	02142-0612A	SCREW	4	
22	11174-88L00	HOSE, BREATHER	1	
23	09401-15414	CLIP	2	
24	09403-17303	CLAMP	2	
25	01550-06127	BOLT	2	
26	11194-88L10	GUARD, FUEL HOSE	1	
27	01550-06167	BOLT	2	
28	09482-00446	SPARK PLUG (DCPR6E)	3	NGK
29	11115-73G01-001	GUIDE, VALVE (OS)	4	OPT

FIG.4

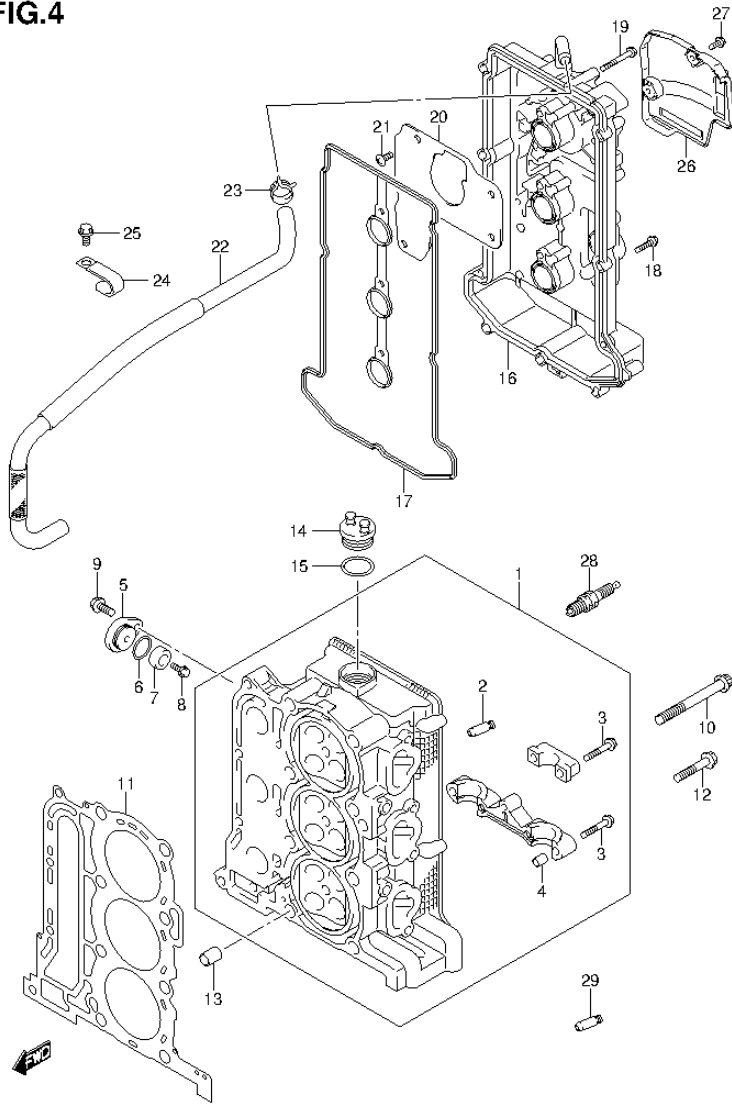


FIG.4 (1-B-5) CYLINDER HEAD (DF40AST E34)

REF NO.	PART NO.	DESCRIPTION	Q'TY	REMARKS
1	11100-88L00	HEAD ASSY, CYLINDER	1	
2	11115-73G01-001	.GUIDE, VALVE	12	
3	09103-06266	.BOLT (6X40)	17	
4	09206-08001	.PIN (8X11)	14	
5	11261-93J00	COVER, PROTECTION ANODE	2	
6	09280-22019	O RING (D:1.9,ID:21.8)	2	
7-1	55321-87J00	ANODE, PROTECTION	2	
7-2	55321-87J10	ANODE (MAGNESIUM)	1	OPT
8	09103-06281	BOLT (6X14)	2	
9	01550-08207	BOLT	2	
10	11119-87J00	BOLT, CYLINDER HEAD (10X95)	8	
11	11141-88L00	GASKET, CYLINDER HEAD	1	
12	01550-08457	BOLT	4	
13	04211-13189	PIN	2	
14	11382-99E00	CAP, OIL FILLER	1	
15	09280-26006	O RING (D:3.1,ID:26.4)	1	
16	11170-88L10	COVER, CYLINDER HEAD	1	
17	11189-88L00	GASKET, CYLINDER HEAD COVER	1	
18	01547-06257	BOLT	9	
19	01547-06457	BOLT	3	
20	11173-88L00	PLATE, BREATHER	1	
21	02142-0612A	SCREW	4	
22	11174-88L00	HOSE, BREATHER	1	
23	09401-15414	CLIP	1	
24	09403-17303	CLAMP	2	
25	01550-06127	BOLT	2	
26	11194-88L10	GUARD, FUEL HOSE	1	
27	01550-06167	BOLT	2	
28	09482-00446	SPARK PLUG (DCPR6E)	3	NGK
29	11115-73G01-001	GUIDE, VALVE (OS)	4	OPT

FIG.5

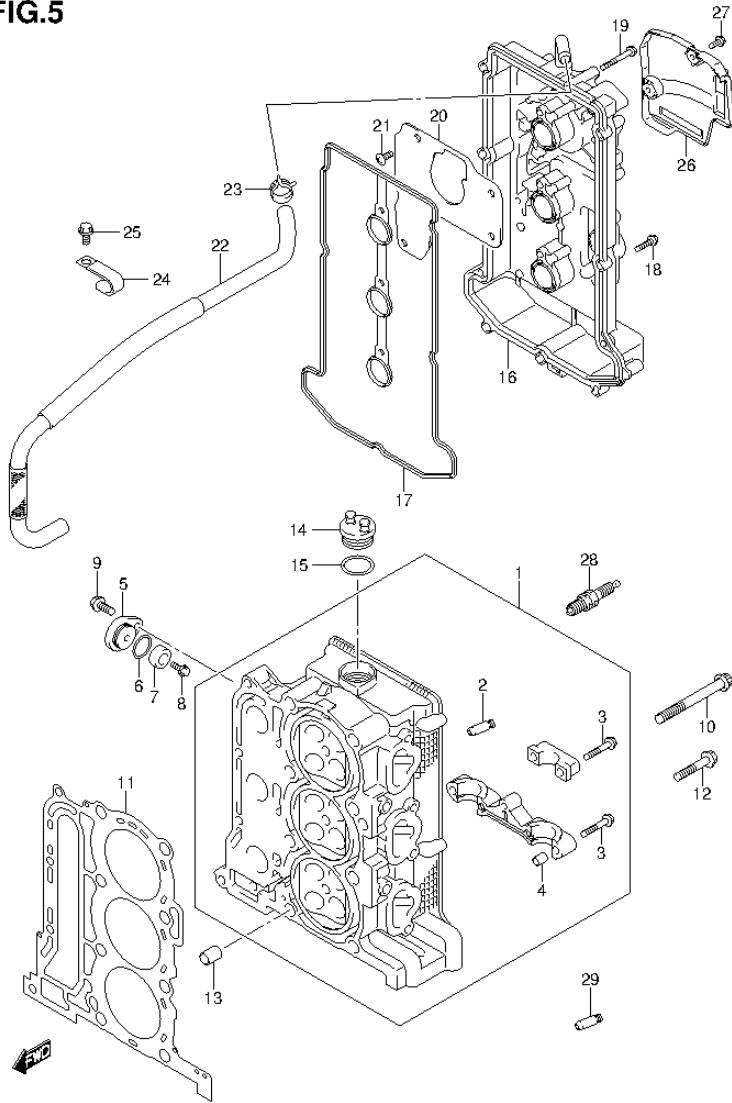


FIG.5 (1-B-6) CYLINDER HEAD (DF50A E01)

REF NO.	PART NO.	DESCRIPTION	Q'TY	REMARKS
1	11100-88L00	HEAD ASSY, CYLINDER	1	
2	11115-73G01-001	.GUIDE, VALVE	12	
3	09103-06266	.BOLT (6X40)	17	
4	09206-08001	.PIN (8X11)	14	
5	11261-93J00	COVER, PROTECTION ANODE	2	
6	09280-22019	O RING (D:1.9,ID:21.8)	2	
7-1	55321-87J00	ANODE, PROTECTION	2	
7-2	55321-87J10	ANODE (MAGNESIUM)	1	OPT
8	09103-06281	BOLT (6X14)	2	
9	01550-08207	BOLT	2	
10	11119-87J00	BOLT, CYLINDER HEAD (10X95)	8	
11	11141-88L00	GASKET, CYLINDER HEAD	1	
12	01550-08457	BOLT	4	
13	04211-13189	PIN	2	
14	11382-99E00	CAP, OIL FILLER	1	
15	09280-26006	O RING (D:3.1,ID:26.4)	1	
16	11170-88L10	COVER, CYLINDER HEAD	1	
17	11189-88L00	GASKET, CYLINDER HEAD COVER	1	
18	01547-06257	BOLT	9	
19	01547-06457	BOLT	3	
20	11173-88L00	PLATE, BREATHER	1	
21	02142-0612A	SCREW	4	
22	11174-88L00	HOSE, BREATHER	1	
23	09401-15414	CLIP	2	
24	09403-17303	CLAMP	2	
25	01550-06127	BOLT	2	
26	11194-88L10	GUARD, FUEL HOSE	1	
27	01550-06167	BOLT	2	
28	09482-00446	SPARK PLUG (DCPR6E)	3	NGK
29	11115-73G01-001	GUIDE, VALVE (OS)	4	OPT

FIG.6

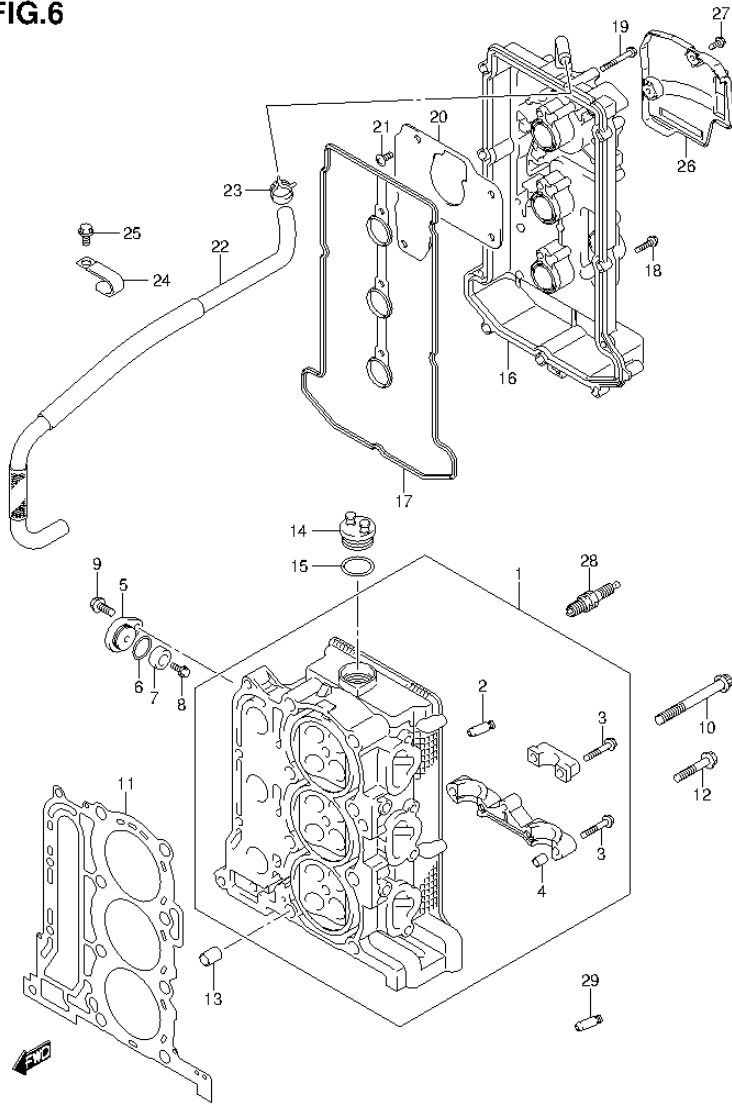


FIG.6 (1-B-7) CYLINDER HEAD (DF50ATH E01)

REF NO.	PART NO.	DESCRIPTION	Q'TY	REMARKS
1	11100-88L00	HEAD ASSY, CYLINDER	1	
2	11115-73G01-001	.GUIDE, VALVE	12	
3	09103-06266	.BOLT (6X40)	17	
4	09206-08001	.PIN (8X11)	14	
5	11261-93J00	COVER, PROTECTION ANODE	2	
6	09280-22019	O RING (D:1.9,ID:21.8)	2	
7-1	55321-87J00	ANODE, PROTECTION	2	
7-2	55321-87J10	ANODE (MAGNESIUM)	1	OPT
8	09103-06281	BOLT (6X14)	2	
9	01550-08207	BOLT	2	
10	11119-87J00	BOLT, CYLINDER HEAD (10X95)	8	
11	11141-88L00	GASKET, CYLINDER HEAD	1	
12	01550-08457	BOLT	4	
13	04211-13189	PIN	2	
14	11382-99E00	CAP, OIL FILLER	1	
15	09280-26006	O RING (D:3.1,ID:26.4)	1	
16	11170-88L10	COVER, CYLINDER HEAD	1	
17	11189-88L00	GASKET, CYLINDER HEAD COVER	1	
18	01547-06257	BOLT	9	
19	01547-06457	BOLT	3	
20	11173-88L00	PLATE, BREATHER	1	
21	02142-0612A	SCREW	4	
22	11174-88L00	HOSE, BREATHER	1	
23	09401-15414	CLIP	2	
24	09403-17303	CLAMP	2	
25	01550-06127	BOLT	2	
26	11194-88L10	GUARD, FUEL HOSE	1	
27	01550-06167	BOLT	2	
28	09482-00446	SPARK PLUG (DCPR6E)	3	NGK
29	11115-73G01-001	GUIDE, VALVE (OS)	4	OPT

FIG.7

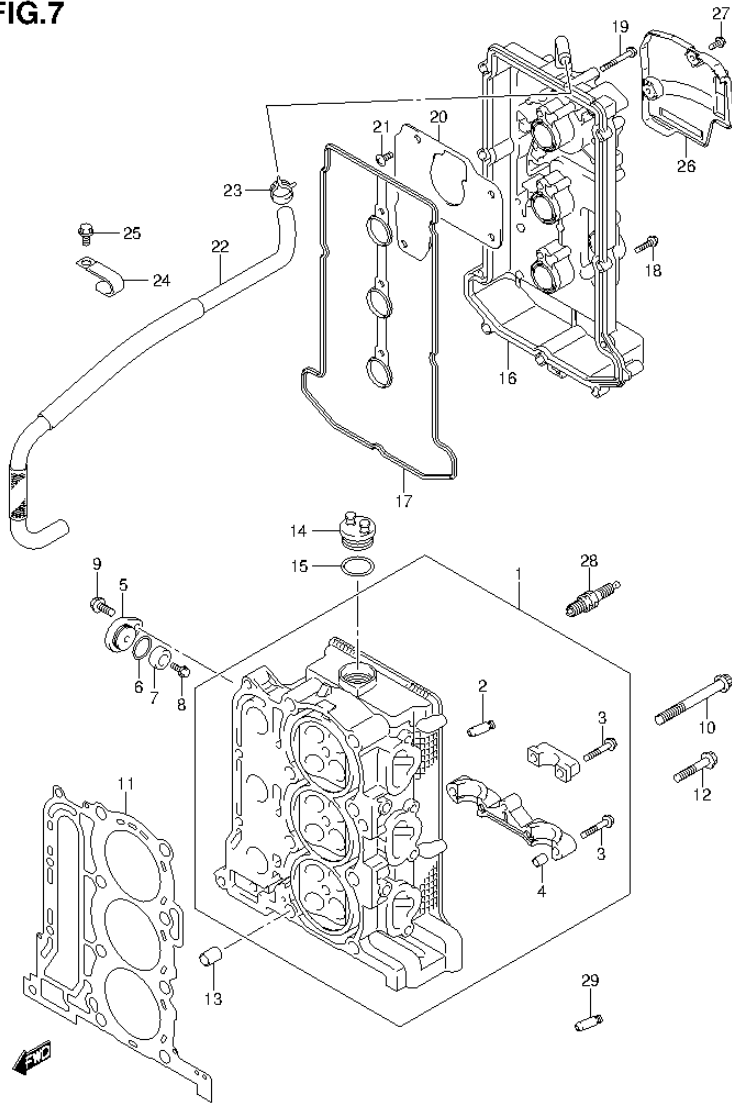


FIG.7 (1-B-8) CYLINDER HEAD (DF60A E01)

REF NO.	PART NO.	DESCRIPTION	Q'TY	REMARKS
1	11100-88L00	HEAD ASSY, CYLINDER	1	
2	11115-73G01-001	.GUIDE, VALVE	12	
3	09103-06266	.BOLT (6X40)	17	
4	09206-08001	.PIN (8X11)	14	
5	11261-93J00	COVER, PROTECTION ANODE	2	
6	09280-22019	O RING (D:1.9,ID:21.8)	2	
7-1	55321-87J00	ANODE, PROTECTION	2	
7-2	55321-87J10	ANODE (MAGNESIUM)	1	OPT
8	09103-06281	BOLT (6X14)	2	
9	01550-08207	BOLT	2	
10	11119-87J00	BOLT, CYLINDER HEAD (10X95)	8	
11	11141-88L00	GASKET, CYLINDER HEAD	1	
12	01550-08457	BOLT	4	
13	04211-13189	PIN	2	
14	11382-99E00	CAP, OIL FILLER	1	
15	09280-26006	O RING (D:3.1,ID:26.4)	1	
16	11170-88L10	COVER, CYLINDER HEAD	1	
17	11189-88L00	GASKET, CYLINDER HEAD COVER	1	
18	01547-06257	BOLT	9	
19	01547-06457	BOLT	3	
20	11173-88L00	PLATE, BREATHER	1	
21	02142-0612A	SCREW	4	
22	11174-88L00	HOSE, BREATHER	1	
23	09401-15414	CLIP	1	
24	09403-17303	CLAMP	2	
25	01550-06127	BOLT	2	
26	11194-88L10	GUARD, FUEL HOSE	1	
27	01550-06167	BOLT	2	
28	09482-00446	SPARK PLUG (DCPR6E)	3	NGK
29	11115-73G01-001	GUIDE, VALVE (OS)	4	OPT

FIG.8

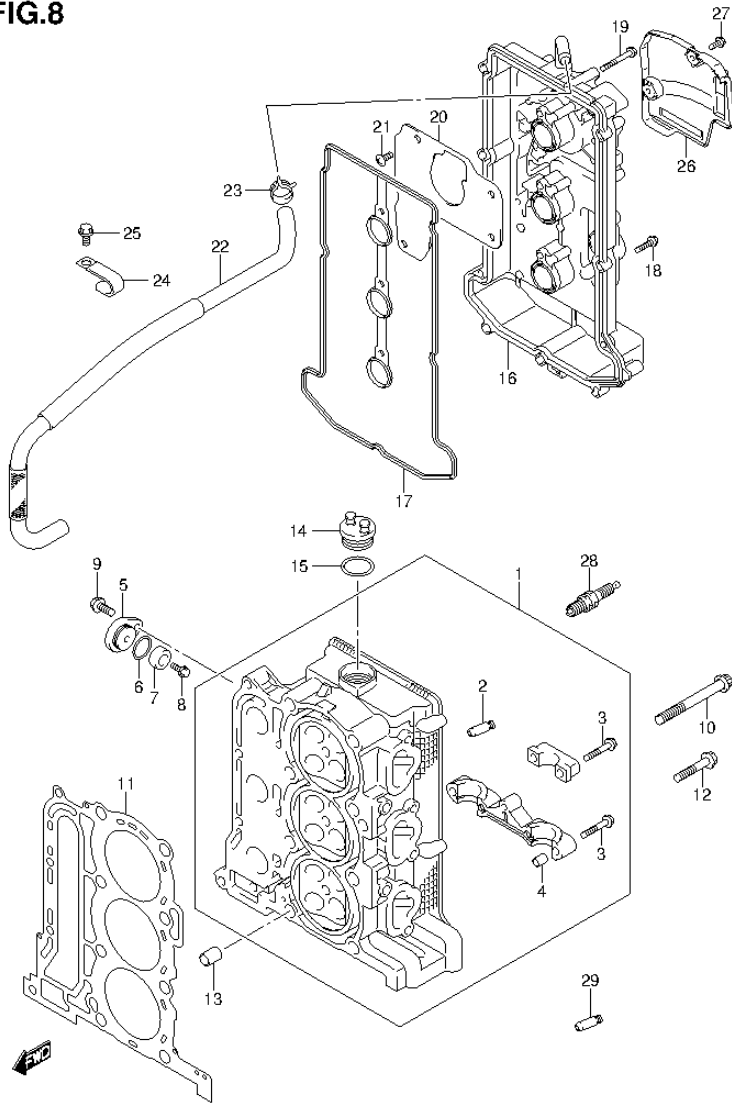


FIG.8 (1-B-9) CYLINDER HEAD (DF60A E40)

REF NO.	PART NO.	DESCRIPTION	Q'TY	REMARKS
1	11100-88L00	HEAD ASSY, CYLINDER	1	
2	11115-73G01-001	.GUIDE, VALVE	12	
3	09103-06266	.BOLT (6X40)	17	
4	09206-08001	.PIN (8X11)	14	
5	11261-93J00	COVER, PROTECTION ANODE	2	
6	09280-22019	O RING (D:1.9,ID:21.8)	2	
7-1	55321-87J00	ANODE, PROTECTION	2	
7-2	55321-87J10	ANODE (MAGNESIUM)	1	OPT
8	09103-06281	BOLT (6X14)	2	
9	01550-08207	BOLT	2	
10	11119-87J00	BOLT, CYLINDER HEAD (10X95)	8	
11	11141-88L00	GASKET, CYLINDER HEAD	1	
12	01550-08457	BOLT	4	
13	04211-13189	PIN	2	
14	11382-99E00	CAP, OIL FILLER	1	
15	09280-26006	O RING (D:3.1,ID:26.4)	1	
16	11170-88L10	COVER, CYLINDER HEAD	1	
17	11189-88L00	GASKET, CYLINDER HEAD COVER	1	
18	01547-06257	BOLT	9	
19	01547-06457	BOLT	3	
20	11173-88L00	PLATE, BREATHER	1	
21	02142-0612A	SCREW	4	
22	11174-88L00	HOSE, BREATHER	1	
23	09401-15414	CLIP	1	
24	09403-17303	CLAMP	2	
25	01550-06127	BOLT	2	
26	11194-88L10	GUARD, FUEL HOSE	1	
27	01550-06167	BOLT	2	
28	09482-00446	SPARK PLUG (DCPR6E)	3	NGK
29	11115-73G01-001	GUIDE, VALVE (OS)	4	OPT

FIG.9

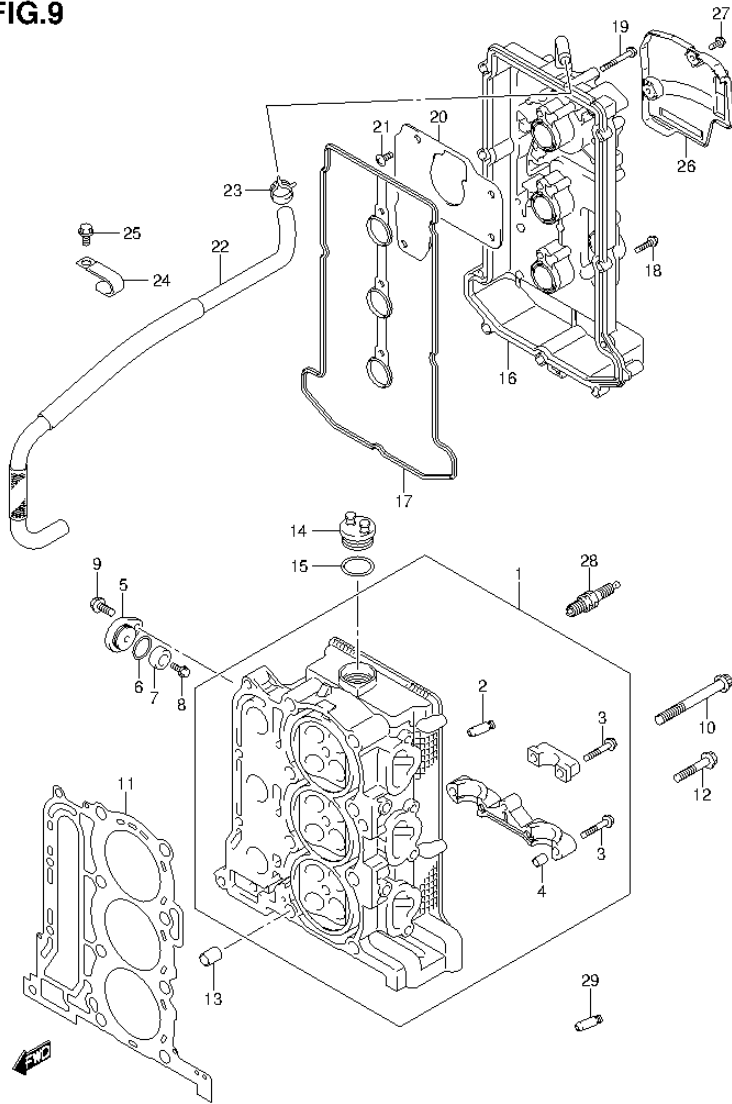


FIG.9 (1-B-10) CYLINDER HEAD (DF60AQH E01)

REF NO.	PART NO.	DESCRIPTION	Q'TY	REMARKS
1	11100-88L00	HEAD ASSY, CYLINDER	1	
2	11115-73G01-001	.GUIDE, VALVE	12	
3	09103-06266	.BOLT (6X40)	17	
4	09206-08001	.PIN (8X11)	14	
5	11261-93J00	COVER, PROTECTION ANODE	2	
6	09280-22019	O RING (D:1.9,ID:21.8)	2	
7-1	55321-87J00	ANODE, PROTECTION	2	
7-2	55321-87J10	ANODE (MAGNESIUM)	1	OPT
8	09103-06281	BOLT (6X14)	2	
9	01550-08207	BOLT	2	
10	11119-87J00	BOLT, CYLINDER HEAD (10X95)	8	
11	11141-88L00	GASKET, CYLINDER HEAD	1	
12	01550-08457	BOLT	4	
13	04211-13189	PIN	2	
14	11382-99E00	CAP, OIL FILLER	1	
15	09280-26006	O RING (D:3.1,ID:26.4)	1	
16	11170-88L10	COVER, CYLINDER HEAD	1	
17	11189-88L00	GASKET, CYLINDER HEAD COVER	1	
18	01547-06257	BOLT	9	
19	01547-06457	BOLT	3	
20	11173-88L00	PLATE, BREATHER	1	
21	02142-0612A	SCREW	4	
22	11174-88L00	HOSE, BREATHER	1	
23	09401-15414	CLIP	1	
24	09403-17303	CLAMP	2	
25	01550-06127	BOLT	2	
26	11194-88L10	GUARD, FUEL HOSE	1	
27	01550-06167	BOLT	2	
28	09482-00446	SPARK PLUG (DCPR6E)	3	NGK
29	11115-73G01-001	GUIDE, VALVE (OS)	4	OPT

FIG.10

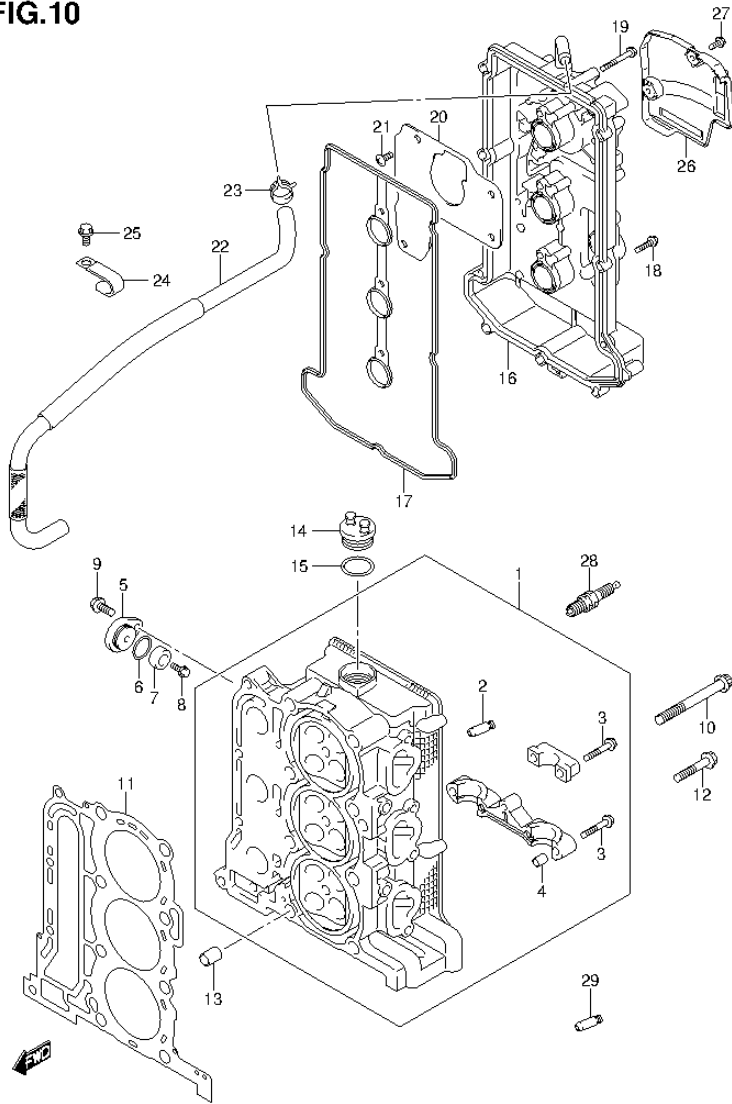


FIG.10 (1-B-11) CYLINDER HEAD (DF60AQH E40)

REF NO.	PART NO.	DESCRIPTION	Q'TY	REMARKS
1	11100-88L00	HEAD ASSY, CYLINDER	1	
2	11115-73G01-001	.GUIDE, VALVE	12	
3	09103-06266	.BOLT (6X40)	17	
4	09206-08001	.PIN (8X11)	14	
5	11261-93J00	COVER, PROTECTION ANODE	2	
6	09280-22019	O RING (D:1.9,ID:21.8)	2	
7-1	55321-87J00	ANODE, PROTECTION	2	
7-2	55321-87J10	ANODE (MAGNESIUM)	1	OPT
8	09103-06281	BOLT (6X14)	2	
9	01550-08207	BOLT	2	
10	11119-87J00	BOLT, CYLINDER HEAD (10X95)	8	
11	11141-88L00	GASKET, CYLINDER HEAD	1	
12	01550-08457	BOLT	4	
13	04211-13189	PIN	2	
14	11382-99E00	CAP, OIL FILLER	1	
15	09280-26006	O RING (D:3.1,ID:26.4)	1	
16	11170-88L10	COVER, CYLINDER HEAD	1	
17	11189-88L00	GASKET, CYLINDER HEAD COVER	1	
18	01547-06257	BOLT	9	
19	01547-06457	BOLT	3	
20	11173-88L00	PLATE, BREATHER	1	
21	02142-0612A	SCREW	4	
22	11174-88L00	HOSE, BREATHER	1	
23	09401-15414	CLIP	1	
24	09403-17303	CLAMP	2	
25	01550-06127	BOLT	2	
26	11194-88L10	GUARD, FUEL HOSE	1	
27	01550-06167	BOLT	2	
28	09482-00446	SPARK PLUG (DCPR6E)	3	NGK
29	11115-73G01-001	GUIDE, VALVE (OS)	4	OPT

FIG.11

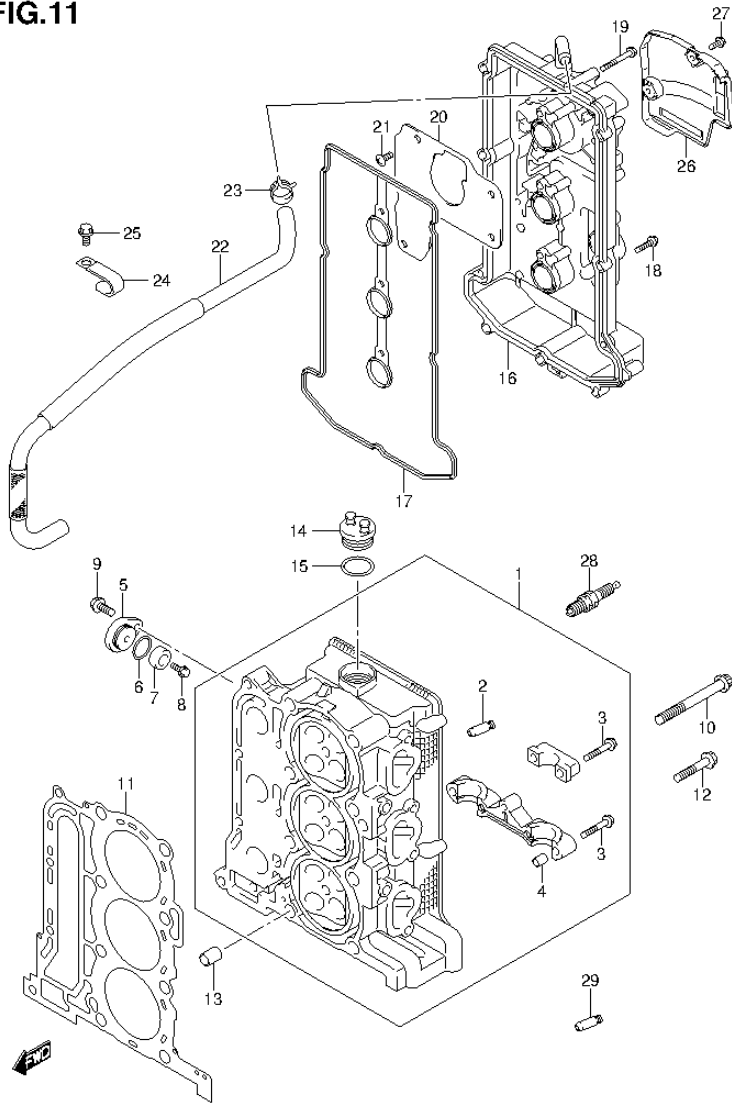


FIG.11 (1-B-12) CYLINDER HEAD (DF60ATH E01)

REF NO.	PART NO.	DESCRIPTION	Q'TY	REMARKS
1	11100-88L00	HEAD ASSY, CYLINDER	1	
2	11115-73G01-001	.GUIDE, VALVE	12	
3	09103-06266	.BOLT (6X40)	17	
4	09206-08001	.PIN (8X11)	14	
5	11261-93J00	COVER, PROTECTION ANODE	2	
6	09280-22019	O RING (D:1.9,ID:21.8)	2	
7-1	55321-87J00	ANODE, PROTECTION	2	
7-2	55321-87J10	ANODE (MAGNESIUM)	1	OPT
8	09103-06281	BOLT (6X14)	2	
9	01550-08207	BOLT	2	
10	11119-87J00	BOLT, CYLINDER HEAD (10X95)	8	
11	11141-88L00	GASKET, CYLINDER HEAD	1	
12	01550-08457	BOLT	4	
13	04211-13189	PIN	2	
14	11382-99E00	CAP, OIL FILLER	1	
15	09280-26006	O RING (D:3.1,ID:26.4)	1	
16	11170-88L10	COVER, CYLINDER HEAD	1	
17	11189-88L00	GASKET, CYLINDER HEAD COVER	1	
18	01547-06257	BOLT	9	
19	01547-06457	BOLT	3	
20	11173-88L00	PLATE, BREATHER	1	
21	02142-0612A	SCREW	4	
22	11174-88L00	HOSE, BREATHER	1	
23	09401-15414	CLIP	1	
24	09403-17303	CLAMP	2	
25	01550-06127	BOLT	2	
26	11194-88L10	GUARD, FUEL HOSE	1	
27	01550-06167	BOLT	2	
28	09482-00446	SPARK PLUG (DCPR6E)	3	NGK
29	11115-73G01-001	GUIDE, VALVE (OS)	4	OPT

FIG.12

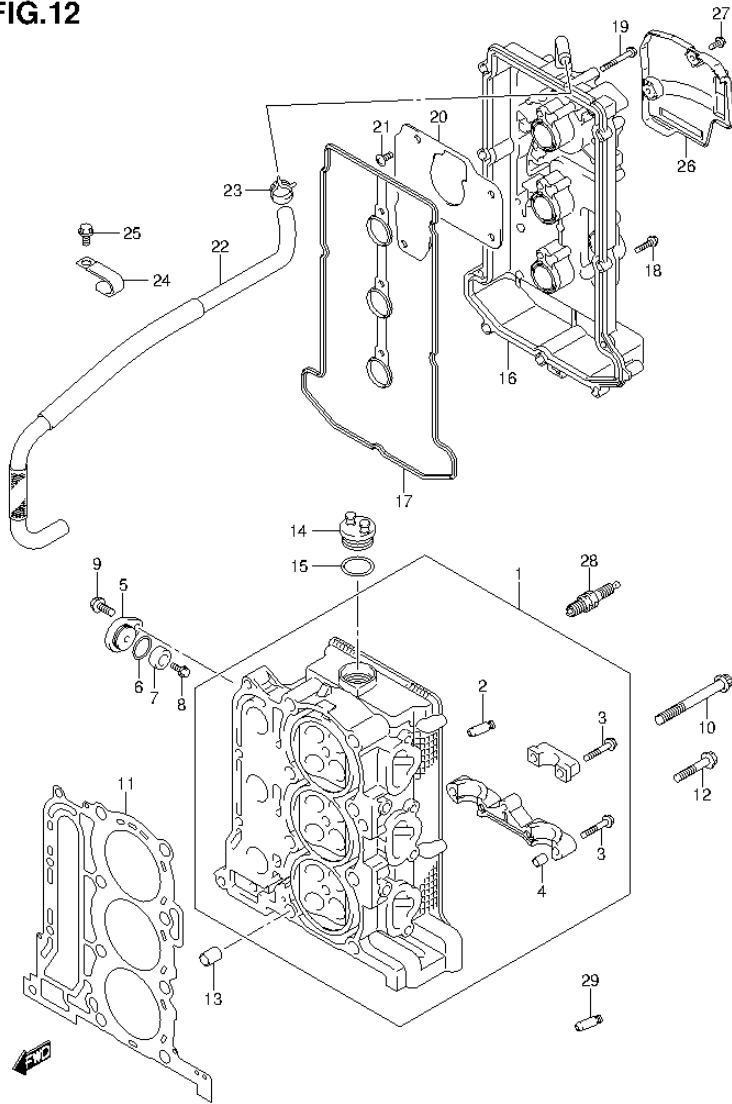


FIG.12 (1-B-13) CYLINDER HEAD (DF60ATH E40)

REF NO.	PART NO.	DESCRIPTION	Q'TY	REMARKS
1	11100-88L00	HEAD ASSY, CYLINDER	1	
2	11115-73G01-001	.GUIDE, VALVE	12	
3	09103-06266	.BOLT (6X40)	17	
4	09206-08001	.PIN (8X11)	14	
5	11261-93J00	COVER, PROTECTION ANODE	2	
6	09280-22019	O RING (D:1.9,ID:21.8)	2	
7-1	55321-87J00	ANODE, PROTECTION	2	
7-2	55321-87J10	ANODE (MAGNESIUM)	1	OPT
8	09103-06281	BOLT (6X14)	2	
9	01550-08207	BOLT	2	
10	11119-87J00	BOLT, CYLINDER HEAD (10X95)	8	
11	11141-88L00	GASKET, CYLINDER HEAD	1	
12	01550-08457	BOLT	4	
13	04211-13189	PIN	2	
14	11382-99E00	CAP, OIL FILLER	1	
15	09280-26006	O RING (D:3.1,ID:26.4)	1	
16	11170-88L10	COVER, CYLINDER HEAD	1	
17	11189-88L00	GASKET, CYLINDER HEAD COVER	1	
18	01547-06257	BOLT	9	
19	01547-06457	BOLT	3	
20	11173-88L00	PLATE, BREATHER	1	
21	02142-0612A	SCREW	4	
22	11174-88L00	HOSE, BREATHER	1	
23	09401-15414	CLIP	1	
24	09403-17303	CLAMP	2	
25	01550-06127	BOLT	2	
26	11194-88L10	GUARD, FUEL HOSE	1	
27	01550-06167	BOLT	2	
28	09482-00446	SPARK PLUG (DCPR6E)	3	NGK
29	11115-73G01-001	GUIDE, VALVE (OS)	4	OPT

FIG.13

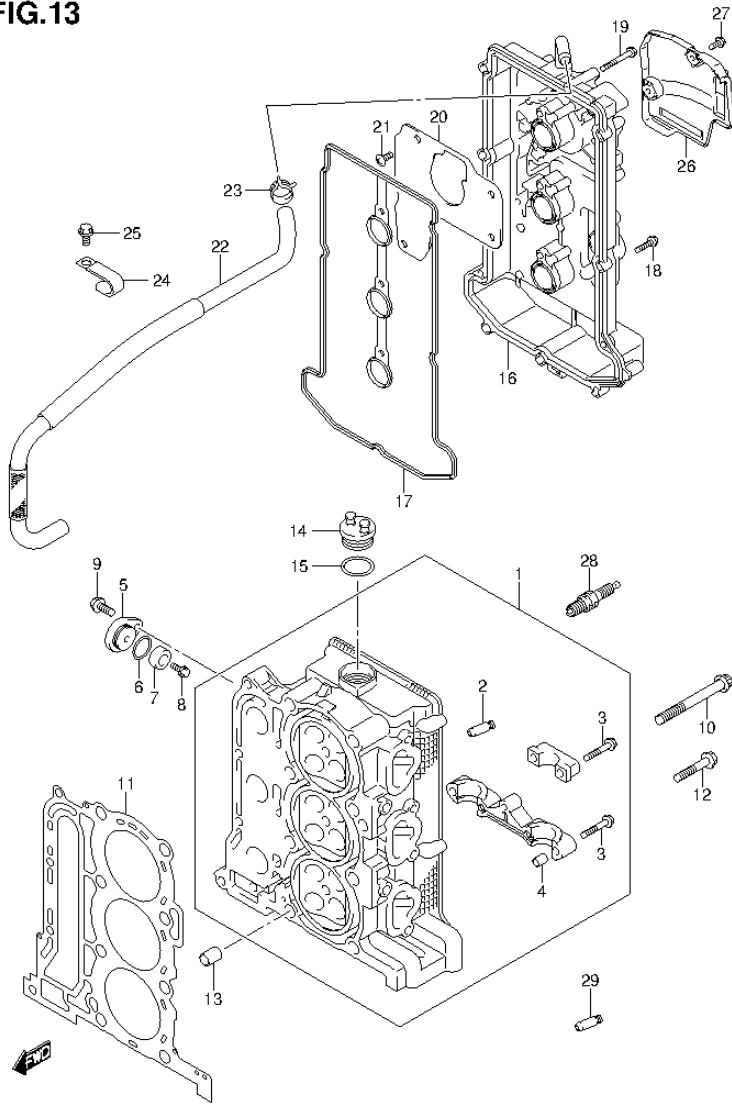


FIG.13 (1-B-14) CYLINDER HEAD (DF50AVT E01)

REF NO.	PART NO.	DESCRIPTION	Q'TY	REMARKS
1	11100-88L00	HEAD ASSY, CYLINDER	1	
2	11115-73G01-001	.GUIDE, VALVE	12	
3	09103-06266	.BOLT (6X40)	17	
4	09206-08001	.PIN (8X11)	14	
5	11261-93J00	COVER, PROTECTION ANODE	2	
6	09280-22019	O RING (D:1.9,ID:21.8)	2	
7-1	55321-87J00	ANODE, PROTECTION	2	
7-2	55321-87J10	ANODE (MAGNESIUM)	1	OPT
8	09103-06281	BOLT (6X14)	2	
9	01550-08207	BOLT	2	
10	11119-87J00	BOLT, CYLINDER HEAD (10X95)	8	
11	11141-88L00	GASKET, CYLINDER HEAD	1	
12	01550-08457	BOLT	4	
13	04211-13189	PIN	2	
14	11382-99E00	CAP, OIL FILLER	1	
15	09280-26006	O RING (D:3.1,ID:26.4)	1	
16	11170-88L10	COVER, CYLINDER HEAD	1	
17	11189-88L00	GASKET, CYLINDER HEAD COVER	1	
18	01547-06257	BOLT	9	
19	01547-06457	BOLT	3	
20	11173-88L00	PLATE, BREATHER	1	
21	02142-0612A	SCREW	4	
22	11174-88L00	HOSE, BREATHER	1	
23	09401-15414	CLIP	2	
24	09403-17303	CLAMP	2	
25	01550-06127	BOLT	2	
26	11194-88L10	GUARD, FUEL HOSE	1	
27	01550-06167	BOLT	2	
28	09482-00446	SPARK PLUG (DCPR6E)	3	NGK
29	11115-73G01-001	GUIDE, VALVE (OS)	4	OPT

FIG.14

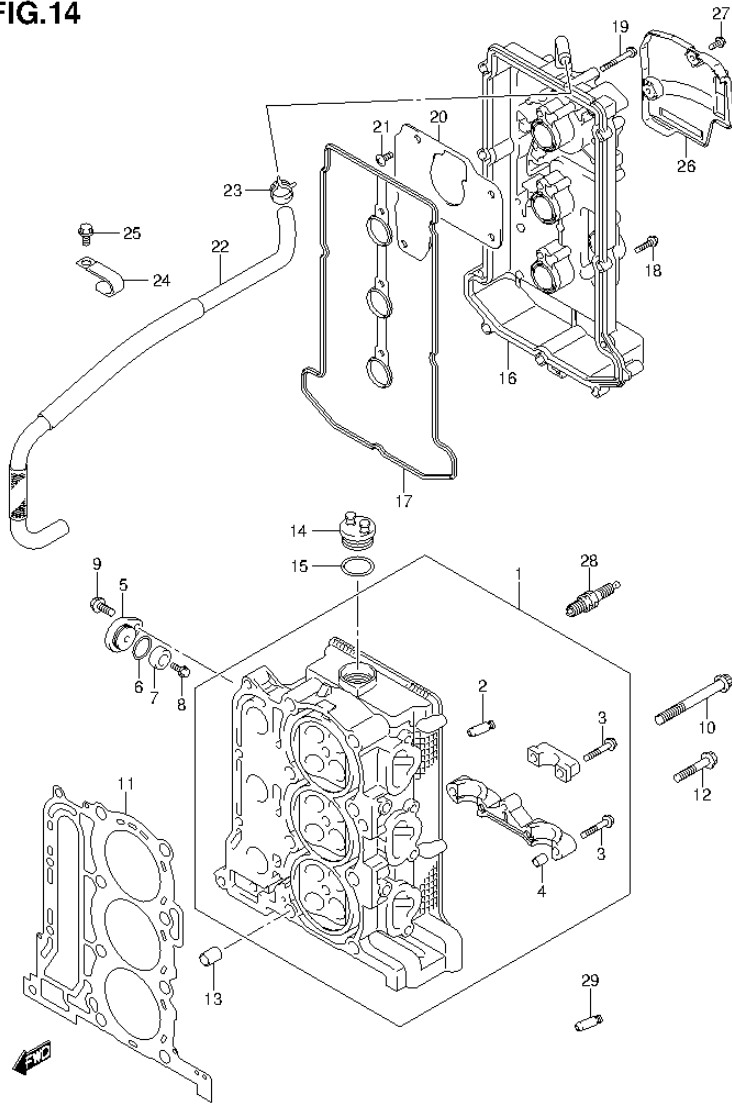


FIG.14 (1-B-15) CYLINDER HEAD (DF50AVTH E01)

REF NO.	PART NO.	DESCRIPTION	Q'TY	REMARKS
1	11100-88L00	HEAD ASSY, CYLINDER	1	
2	11115-73G01-001	.GUIDE, VALVE	12	
3	09103-06266	.BOLT (6X40)	17	
4	09206-08001	.PIN (8X11)	14	
5	11261-93J00	COVER, PROTECTION ANODE	2	
6	09280-22019	O RING (D:1.9,ID:21.8)	2	
7-1	55321-87J00	ANODE, PROTECTION	2	
7-2	55321-87J10	ANODE (MAGNESIUM)	1	OPT
8	09103-06281	BOLT (6X14)	2	
9	01550-08207	BOLT	2	
10	11119-87J00	BOLT, CYLINDER HEAD (10X95)	8	
11	11141-88L00	GASKET, CYLINDER HEAD	1	
12	01550-08457	BOLT	4	
13	04211-13189	PIN	2	
14	11382-99E00	CAP, OIL FILLER	1	
15	09280-26006	O RING (D:3.1,ID:26.4)	1	
16	11170-88L10	COVER, CYLINDER HEAD	1	
17	11189-88L00	GASKET, CYLINDER HEAD COVER	1	
18	01547-06257	BOLT	9	
19	01547-06457	BOLT	3	
20	11173-88L00	PLATE, BREATHER	1	
21	02142-0612A	SCREW	4	
22	11174-88L00	HOSE, BREATHER	1	
23	09401-15414	CLIP	2	
24	09403-17303	CLAMP	2	
25	01550-06127	BOLT	2	
26	11194-88L10	GUARD, FUEL HOSE	1	
27	01550-06167	BOLT	2	
28	09482-00446	SPARK PLUG (DCPR6E)	3	NGK
29	11115-73G01-001	GUIDE, VALVE (OS)	4	OPT

FIG.15

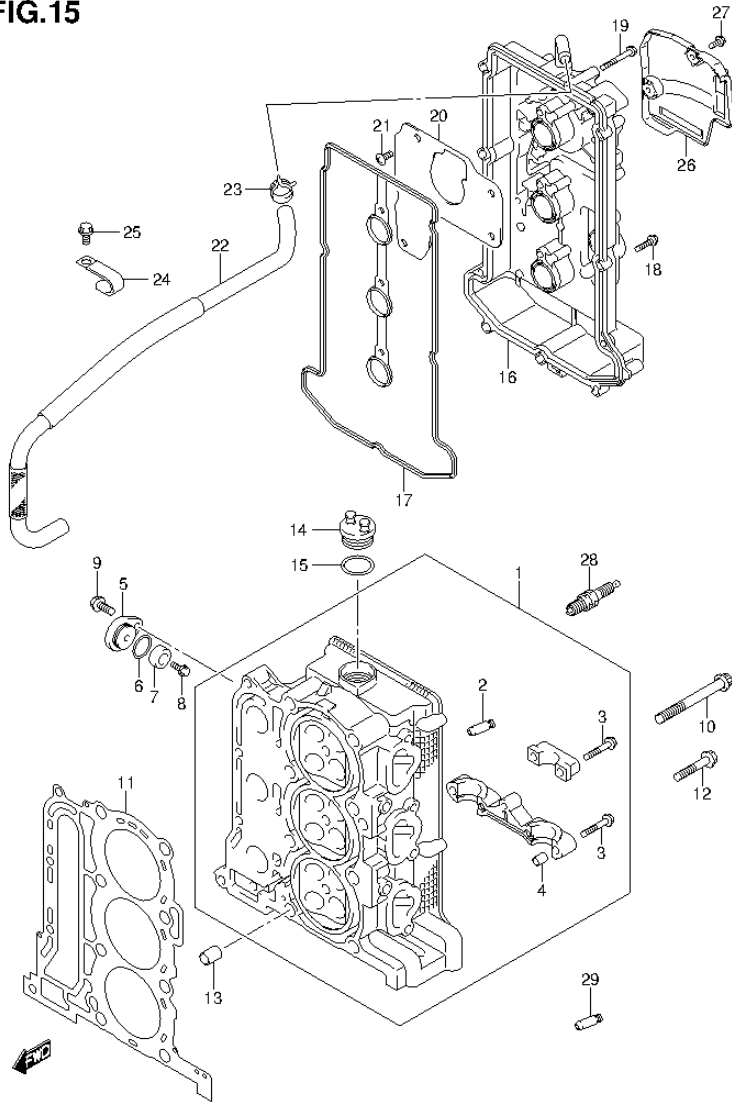


FIG.15 (1-C-2) CYLINDER HEAD (DF60AVT E01)

REF NO.	PART NO.	DESCRIPTION	Q'TY	REMARKS
1	11100-88L00	HEAD ASSY, CYLINDER	1	
2	11115-73G01-001	.GUIDE, VALVE	12	
3	09103-06266	.BOLT (6X40)	17	
4	09206-08001	.PIN (8X11)	14	
5	11261-93J00	COVER, PROTECTION ANODE	2	
6	09280-22019	O RING (D:1.9,ID:21.8)	2	
7-1	55321-87J00	ANODE, PROTECTION	2	
7-2	55321-87J10	ANODE (MAGNESIUM)	1	OPT
8	09103-06281	BOLT (6X14)	2	
9	01550-08207	BOLT	2	
10	11119-87J00	BOLT, CYLINDER HEAD (10X95)	8	
11	11141-88L00	GASKET, CYLINDER HEAD	1	
12	01550-08457	BOLT	4	
13	04211-13189	PIN	2	
14	11382-99E00	CAP, OIL FILLER	1	
15	09280-26006	O RING (D:3.1,ID:26.4)	1	
16	11170-88L10	COVER, CYLINDER HEAD	1	
17	11189-88L00	GASKET, CYLINDER HEAD COVER	1	
18	01547-06257	BOLT	9	
19	01547-06457	BOLT	3	
20	11173-88L00	PLATE, BREATHER	1	
21	02142-0612A	SCREW	4	
22	11174-88L00	HOSE, BREATHER	1	
23	09401-15414	CLIP	1	
24	09403-17303	CLAMP	2	
25	01550-06127	BOLT	2	
26	11194-88L10	GUARD, FUEL HOSE	1	
27	01550-06167	BOLT	2	
28	09482-00446	SPARK PLUG (DCPR6E)	3	NGK
29	11115-73G01-001	GUIDE, VALVE (OS)	4	OPT

FIG.16

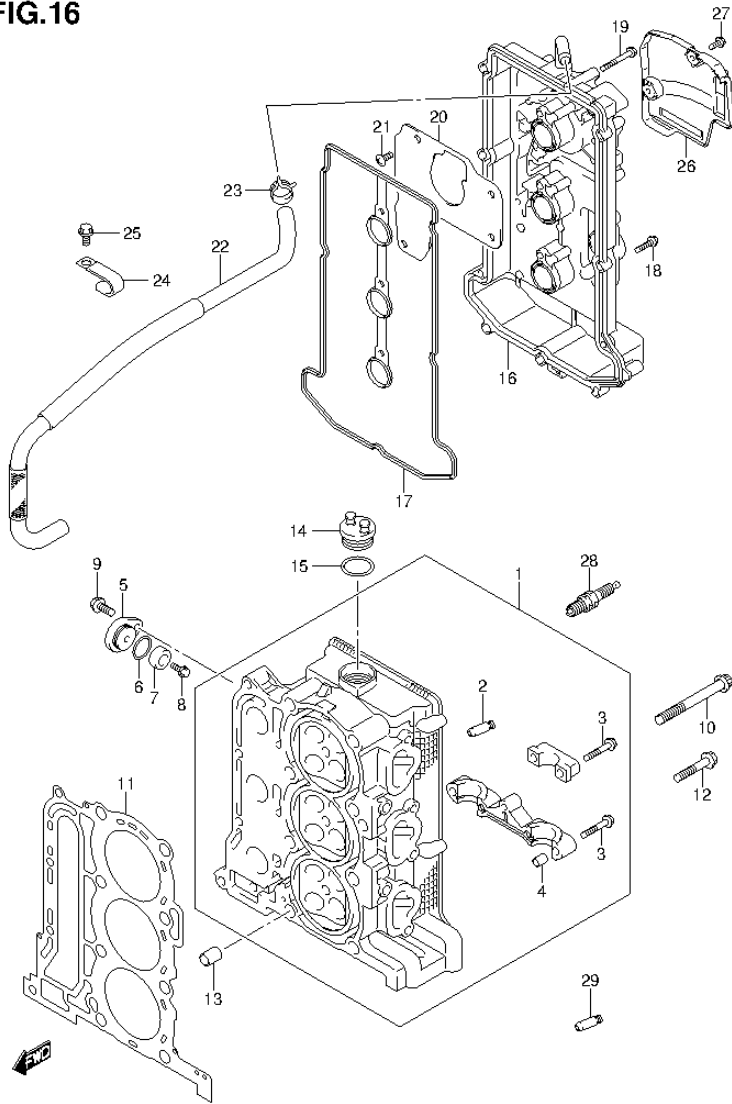


FIG.16 (1-C-3) CYLINDER HEAD (DF60AVT E40)

REF NO.	PART NO.	DESCRIPTION	Q'TY	REMARKS
1	11100-88L00	HEAD ASSY, CYLINDER	1	
2	11115-73G01-001	.GUIDE, VALVE	12	
3	09103-06266	.BOLT (6X40)	17	
4	09206-08001	.PIN (8X11)	14	
5	11261-93J00	COVER, PROTECTION ANODE	2	
6	09280-22019	O RING (D:1.9,ID:21.8)	2	
7-1	55321-87J00	ANODE, PROTECTION	2	
7-2	55321-87J10	ANODE (MAGNESIUM)	1	OPT
8	09103-06281	BOLT (6X14)	2	
9	01550-08207	BOLT	2	
10	11119-87J00	BOLT, CYLINDER HEAD (10X95)	8	
11	11141-88L00	GASKET, CYLINDER HEAD	1	
12	01550-08457	BOLT	4	
13	04211-13189	PIN	2	
14	11382-99E00	CAP, OIL FILLER	1	
15	09280-26006	O RING (D:3.1,ID:26.4)	1	
16	11170-88L10	COVER, CYLINDER HEAD	1	
17	11189-88L00	GASKET, CYLINDER HEAD COVER	1	
18	01547-06257	BOLT	9	
19	01547-06457	BOLT	3	
20	11173-88L00	PLATE, BREATHER	1	
21	02142-0612A	SCREW	4	
22	11174-88L00	HOSE, BREATHER	1	
23	09401-15414	CLIP	1	
24	09403-17303	CLAMP	2	
25	01550-06127	BOLT	2	
26	11194-88L10	GUARD, FUEL HOSE	1	
27	01550-06167	BOLT	2	
28	09482-00446	SPARK PLUG (DCPR6E)	3	NGK
29	11115-73G01-001	GUIDE, VALVE (OS)	4	OPT

FIG.17

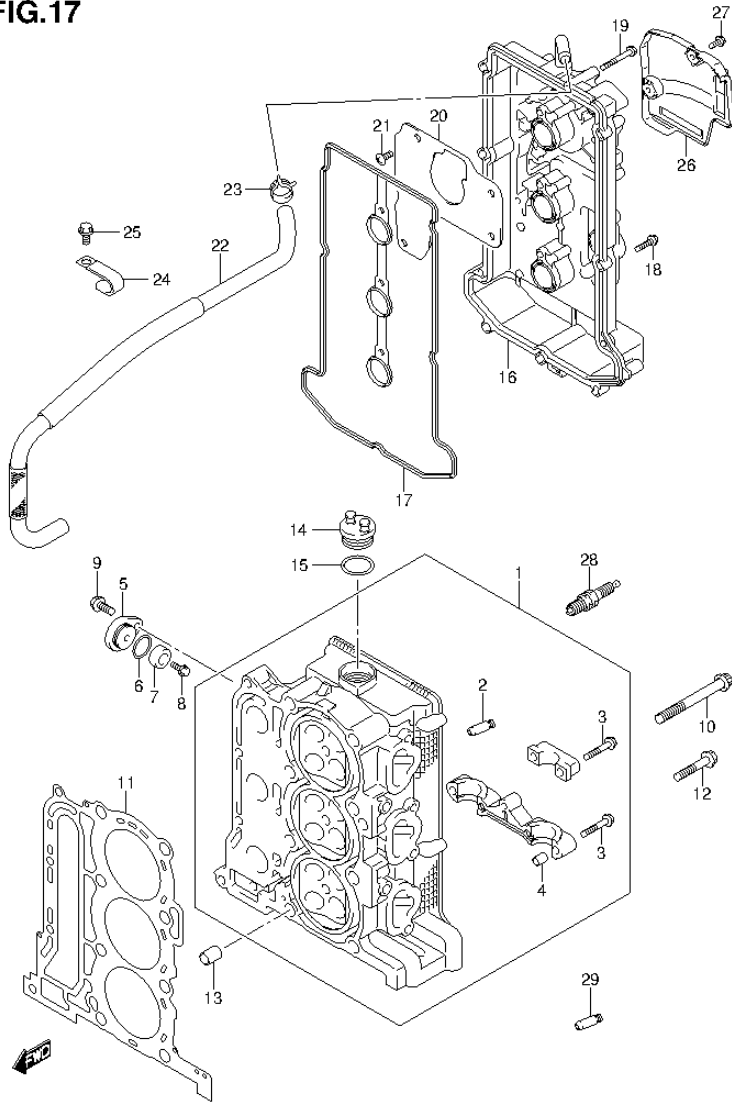


FIG.17 (1-C-4) CYLINDER HEAD (DF60AVTH E01)

REF NO.	PART NO.	DESCRIPTION	Q'TY	REMARKS
1	11100-88L00	HEAD ASSY, CYLINDER	1	
2	11115-73G01-001	.GUIDE, VALVE	12	
3	09103-06266	.BOLT (6X40)	17	
4	09206-08001	.PIN (8X11)	14	
5	11261-93J00	COVER, PROTECTION ANODE	2	
6	09280-22019	O RING (D:1.9,ID:21.8)	2	
7-1	55321-87J00	ANODE, PROTECTION	2	
7-2	55321-87J10	ANODE (MAGNESIUM)	1	OPT
8	09103-06281	BOLT (6X14)	2	
9	01550-08207	BOLT	2	
10	11119-87J00	BOLT, CYLINDER HEAD (10X95)	8	
11	11141-88L00	GASKET, CYLINDER HEAD	1	
12	01550-08457	BOLT	4	
13	04211-13189	PIN	2	
14	11382-99E00	CAP, OIL FILLER	1	
15	09280-26006	O RING (D:3.1,ID:26.4)	1	
16	11170-88L10	COVER, CYLINDER HEAD	1	
17	11189-88L00	GASKET, CYLINDER HEAD COVER	1	
18	01547-06257	BOLT	9	
19	01547-06457	BOLT	3	
20	11173-88L00	PLATE, BREATHER	1	
21	02142-0612A	SCREW	4	
22	11174-88L00	HOSE, BREATHER	1	
23	09401-15414	CLIP	1	
24	09403-17303	CLAMP	2	
25	01550-06127	BOLT	2	
26	11194-88L10	GUARD, FUEL HOSE	1	
27	01550-06167	BOLT	2	
28	09482-00446	SPARK PLUG (DCPR6E)	3	NGK
29	11115-73G01-001	GUIDE, VALVE (OS)	4	OPT

FIG.18

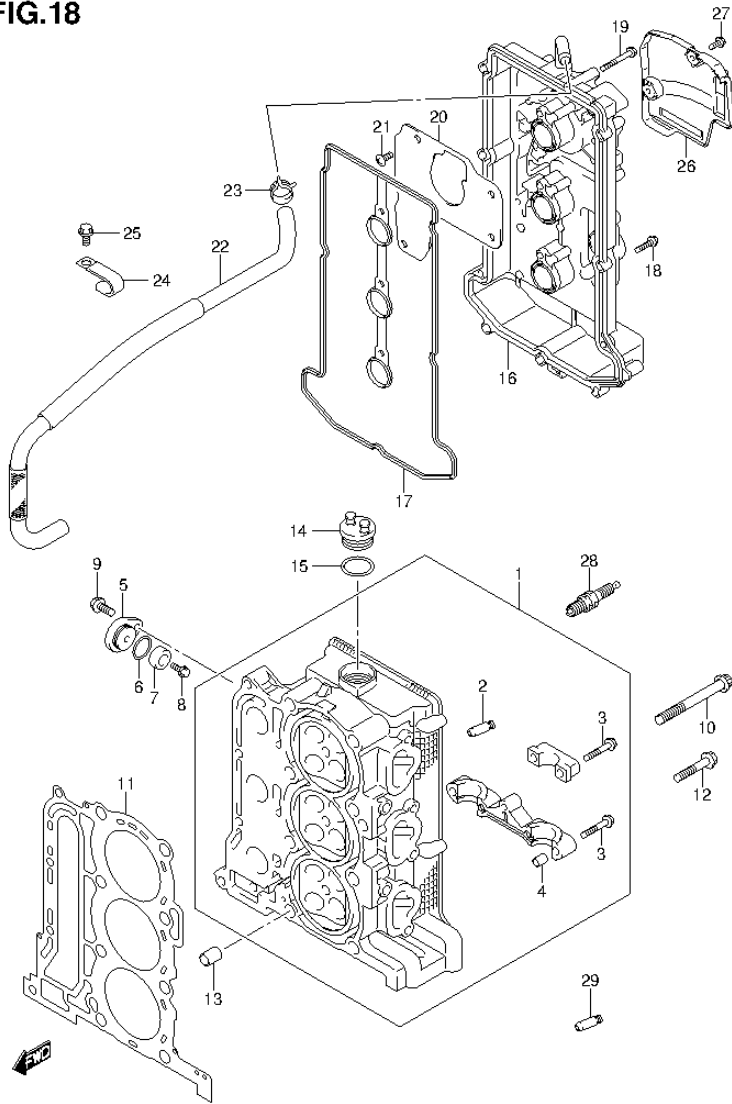


FIG.18 (1-C-5) CYLINDER HEAD (DF60AVTH E40)

REF NO.	PART NO.	DESCRIPTION	Q'TY	REMARKS
1	11100-88L00	HEAD ASSY, CYLINDER	1	
2	11115-73G01-001	.GUIDE, VALVE	12	
3	09103-06266	.BOLT (6X40)	17	
4	09206-08001	.PIN (8X11)	14	
5	11261-93J00	COVER, PROTECTION ANODE	2	
6	09280-22019	O RING (D:1.9,ID:21.8)	2	
7-1	55321-87J00	ANODE, PROTECTION	2	
7-2	55321-87J10	ANODE (MAGNESIUM)	1	OPT
8	09103-06281	BOLT (6X14)	2	
9	01550-08207	BOLT	2	
10	11119-87J00	BOLT, CYLINDER HEAD (10X95)	8	
11	11141-88L00	GASKET, CYLINDER HEAD	1	
12	01550-08457	BOLT	4	
13	04211-13189	PIN	2	
14	11382-99E00	CAP, OIL FILLER	1	
15	09280-26006	O RING (D:3.1,ID:26.4)	1	
16	11170-88L10	COVER, CYLINDER HEAD	1	
17	11189-88L00	GASKET, CYLINDER HEAD COVER	1	
18	01547-06257	BOLT	9	
19	01547-06457	BOLT	3	
20	11173-88L00	PLATE, BREATHER	1	
21	02142-0612A	SCREW	4	
22	11174-88L00	HOSE, BREATHER	1	
23	09401-15414	CLIP	1	
24	09403-17303	CLAMP	2	
25	01550-06127	BOLT	2	
26	11194-88L10	GUARD, FUEL HOSE	1	
27	01550-06167	BOLT	2	
28	09482-00446	SPARK PLUG (DCPR6E)	3	NGK
29	11115-73G01-001	GUIDE, VALVE (OS)	4	OPT

FIG.19

FIG.19 (1-C-6) CYLINDER BLOCK

REF NO.	PART NO.	DESCRIPTION	Q'TY	REMARKS
1	11291-88L00	HOOK, ENGINE	1	
2	01550-08207	BOLT	2	
3	11301-88L00	BLOCK ASSY, CYLINDER	1	
4	11117-89J20	.BOLT, CRANKCASE INSIDE	8	
5	09206-13019	.PIN (10.4X13X16)	4	
6	01550-08407	.BOLT	8	
7	11112-88L00	.PLUG, OIL VENTURI	1	
8	55321-87J00	ANODE, PROTECTION	1	
9	09103-06281	BOLT (6X14)	1	

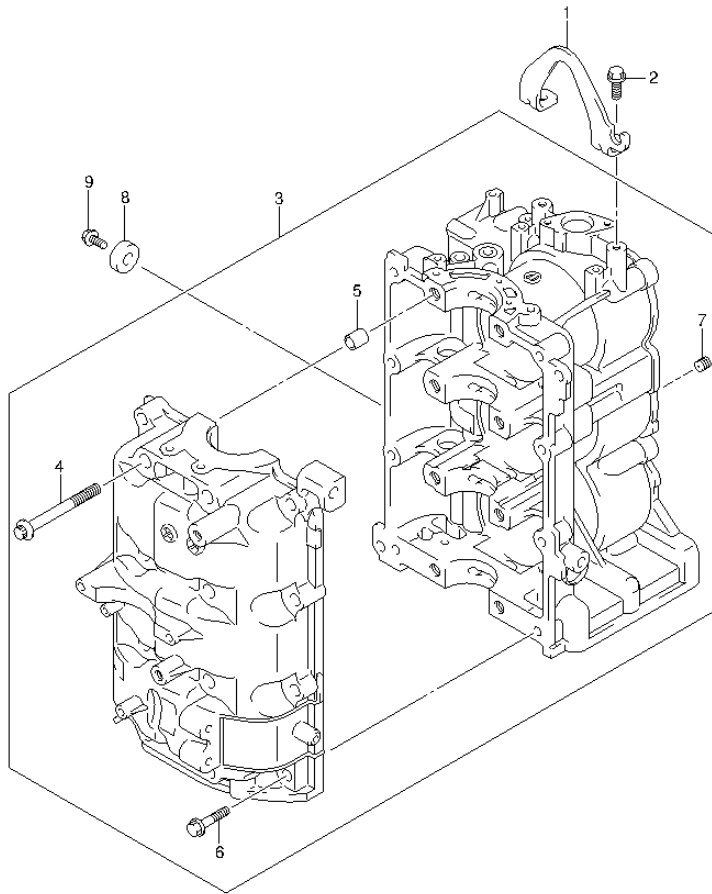


FIG.20

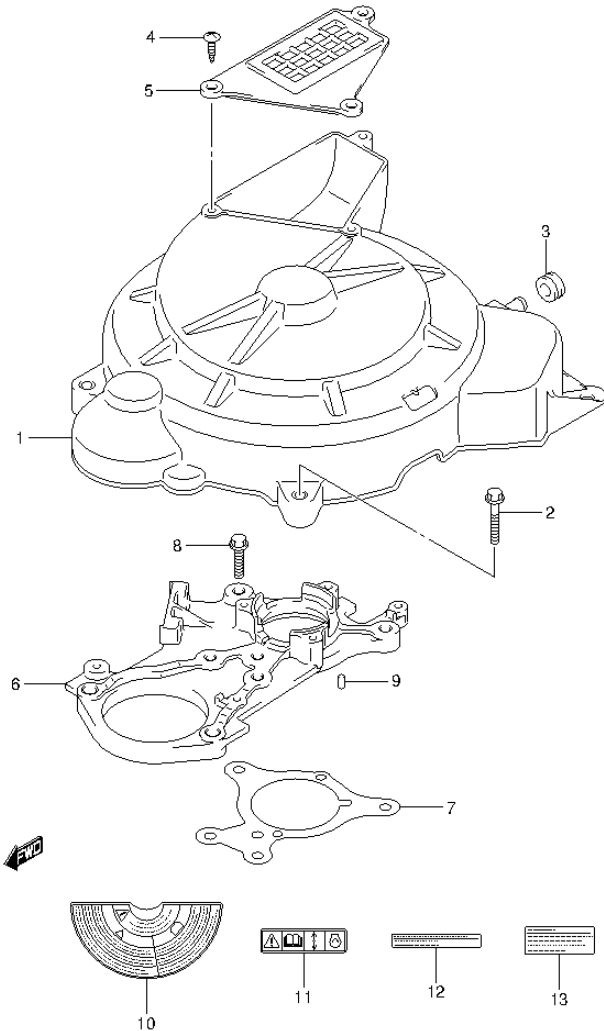


FIG.20 (1-C-7) RING GEAR COVER (DF40A E01)

REF NO.	PART NO.	DESCRIPTION	Q'TY	REMARKS
1	11510-88L00	COVER, RING GEAR	1	
2	01550-06307	BOLT	3	
3	09320-09501	CUSHION	1	
4	03542-06209	SCREW	3	
5	11514-88L00	PLATE, RING GEAR COVER	1	
6	11411-88L00	HOUSING, UPPER OIL SEAL	1	
7	11413-88L00	GASKET, UPPER OIL SEAL	1	
8	01550-06257	BOLT	5	
9	04221-04089	PIN	2	
10	61472-93E40	LABEL, MAG COVER	1	
11	69711-93E10	LABEL (S.I.G.P.)	1	
12	61493-88L00	LABEL, CLEARANCE	1	
13	61494-88L00	LABEL, OIL	1	

FIG.21

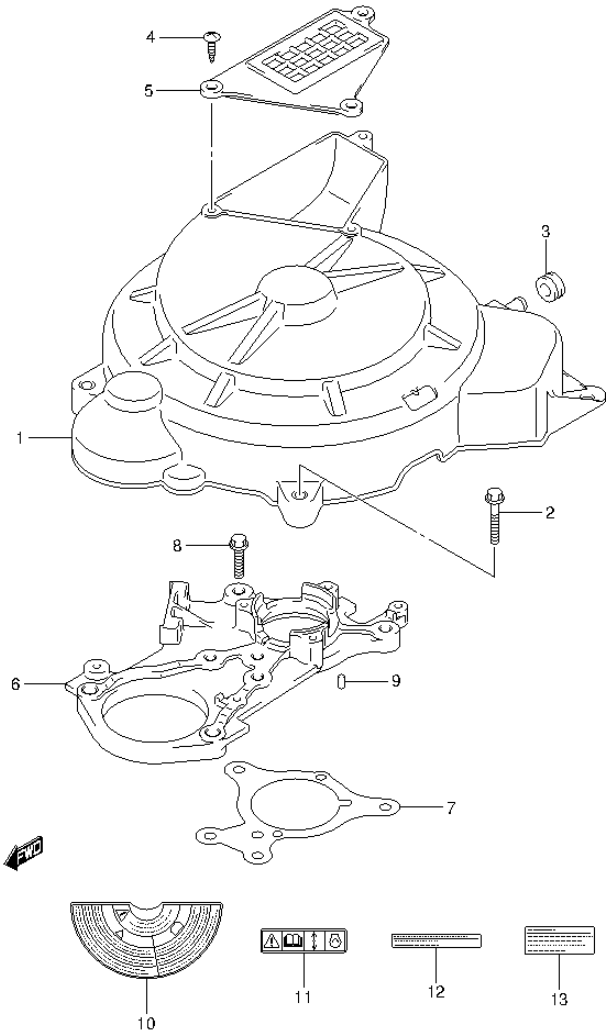


FIG.21 (1-C-8) RING GEAR COVER (DF40AQH E01)

REF NO.	PART NO.	DESCRIPTION	Q'TY	REMARKS
1	11510-88L00	COVER, RING GEAR	1	
2	01550-06307	BOLT	3	
3	09320-09501	CUSHION	1	
4	03542-06209	SCREW	3	
5	11514-88L00	PLATE, RING GEAR COVER	1	
6	11411-88L00	HOUSING, UPPER OIL SEAL	1	
7	11413-88L00	GASKET, UPPER OIL SEAL	1	
8	01550-06257	BOLT	5	
9	04221-04089	PIN	2	
10	61472-93E40	LABEL, MAG COVER	1	
11	69711-93E10	LABEL (S.I.G.P.)	1	
12	61493-88L00	LABEL, CLEARANCE	1	
13	61494-88L00	LABEL, OIL	1	

FIG.22

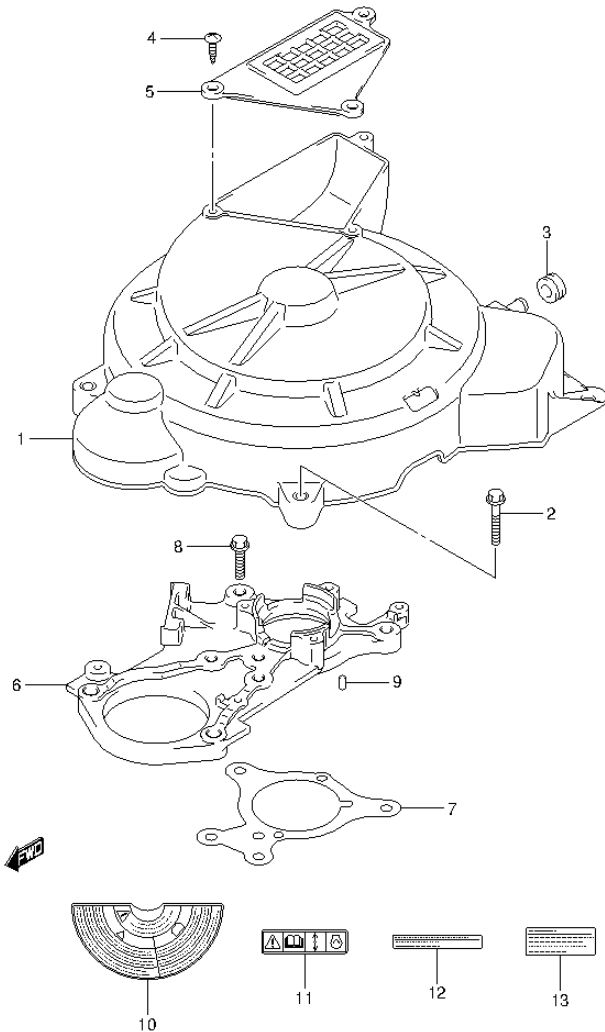


FIG.22 (1-C-9) RING GEAR COVER (DF40ATH E01)

REF NO.	PART NO.	DESCRIPTION	Q'TY	REMARKS
1	11510-88L00	COVER, RING GEAR	1	
2	01550-06307	BOLT	3	
3	09320-09501	CUSHION	1	
4	03542-06209	SCREW	3	
5	11514-88L00	PLATE, RING GEAR COVER	1	
6	11411-88L00	HOUSING, UPPER OIL SEAL	1	
7	11413-88L00	GASKET, UPPER OIL SEAL	1	
8	01550-06257	BOLT	5	
9	04221-04089	PIN	2	
10	61472-93E40	LABEL, MAG COVER	1	
11	69711-93E10	LABEL (S.I.G.P.)	1	
12	61493-88L00	LABEL, CLEARANCE	1	
13	61494-88L00	LABEL, OIL	1	

FIG.23

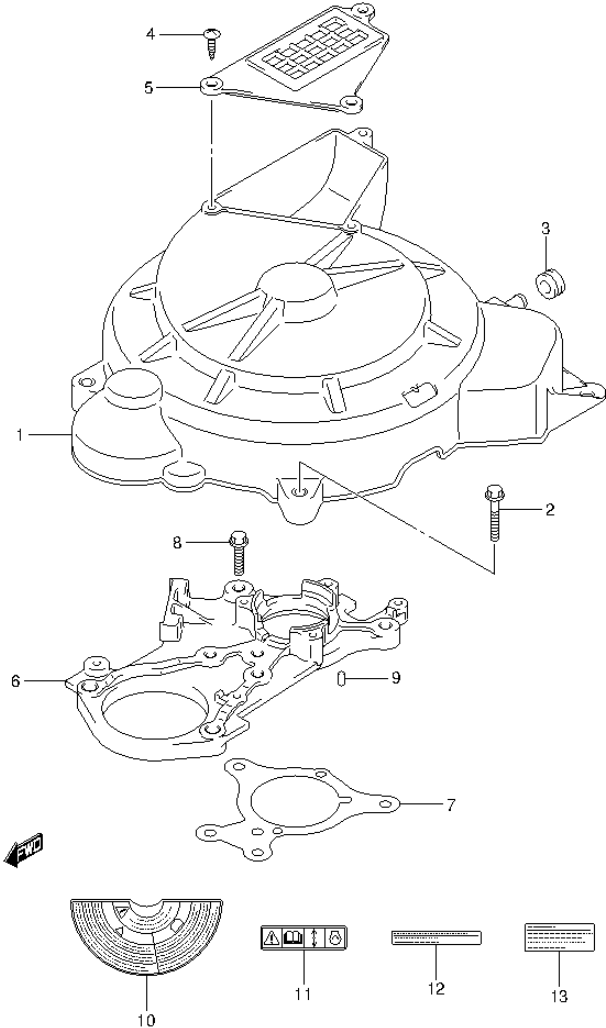


FIG.23 (1-C-10) RING GEAR COVER (DF40AST E34)

REF NO.	PART NO.	DESCRIPTION	Q'TY	REMARKS
1	11510-88L00	COVER, RING GEAR	1	
2	01550-06307	BOLT	3	
3	09320-09501	CUSHION	1	
4	03542-06209	SCREW	3	
5	11514-88L00	PLATE, RING GEAR COVER	1	
6	11411-88L00	HOUSING, UPPER OIL SEAL	1	
7	11413-88L00	GASKET, UPPER OIL SEAL	1	
8	01550-06257	BOLT	5	
9	04221-04089	PIN	2	
10	61472-93E40	LABEL, MAG COVER	1	
11	69711-93E10	LABEL (S.I.G.P.)	1	
12	61493-88L00	LABEL, CLEARANCE	1	
13	61494-88L00	LABEL, OIL	1	

FIG.24

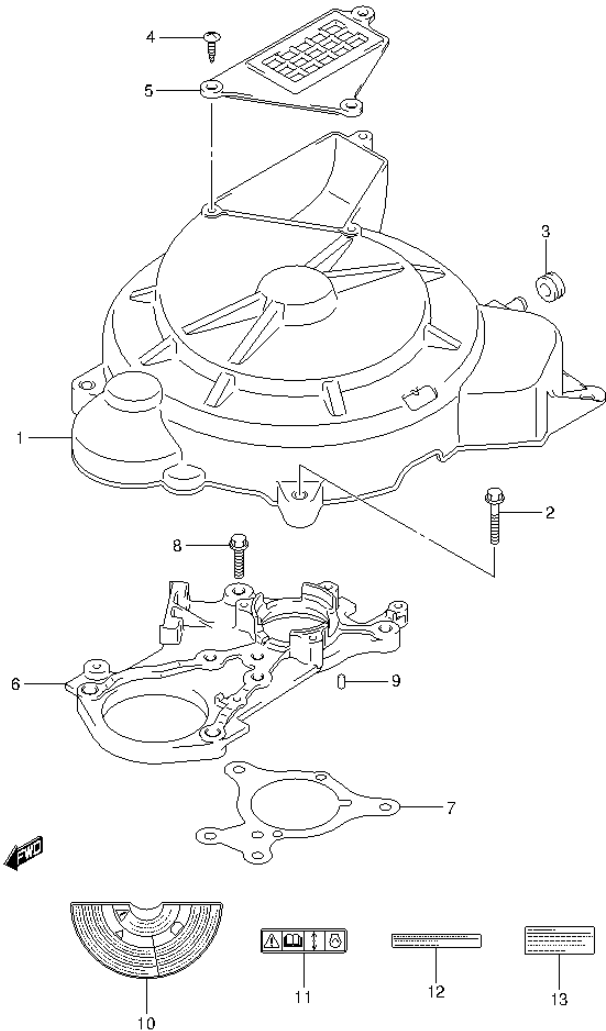


FIG.24 (1-C-11) RING GEAR COVER (DF50A E01)

REF NO.	PART NO.	DESCRIPTION	Q'TY	REMARKS
1	11510-88L00	COVER, RING GEAR	1	
2	01550-06307	BOLT	3	
3	09320-09501	CUSHION	1	
4	03542-06209	SCREW	3	
5	11514-88L00	PLATE, RING GEAR COVER	1	
6	11411-88L00	HOUSING, UPPER OIL SEAL	1	
7	11413-88L00	GASKET, UPPER OIL SEAL	1	
8	01550-06257	BOLT	5	
9	04221-04089	PIN	2	
10	61472-93E40	LABEL, MAG COVER	1	
11	69711-93E10	LABEL (S.I.G.P.)	1	
12	61493-88L00	LABEL, CLEARANCE	1	
13	61494-88L00	LABEL, OIL	1	

FIG.25

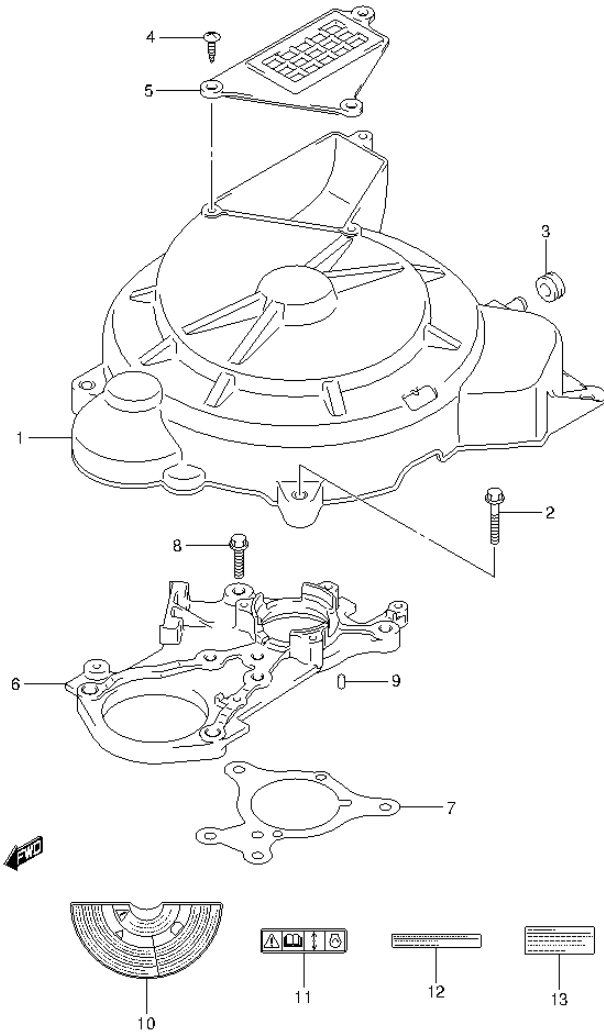


FIG.25 (1-C-12) RING GEAR COVER (DF50ATH E01)

REF NO.	PART NO.	DESCRIPTION	Q'TY	REMARKS
1	11510-88L00	COVER, RING GEAR	1	
2	01550-06307	BOLT	3	
3	09320-09501	CUSHION	1	
4	03542-06209	SCREW	3	
5	11514-88L00	PLATE, RING GEAR COVER	1	
6	11411-88L00	HOUSING, UPPER OIL SEAL	1	
7	11413-88L00	GASKET, UPPER OIL SEAL	1	
8	01550-06257	BOLT	5	
9	04221-04089	PIN	2	
10	61472-93E40	LABEL, MAG COVER	1	
11	69711-93E10	LABEL (S.I.G.P.)	1	
12	61493-88L00	LABEL, CLEARANCE	1	
13	61494-88L00	LABEL, OIL	1	

FIG.26

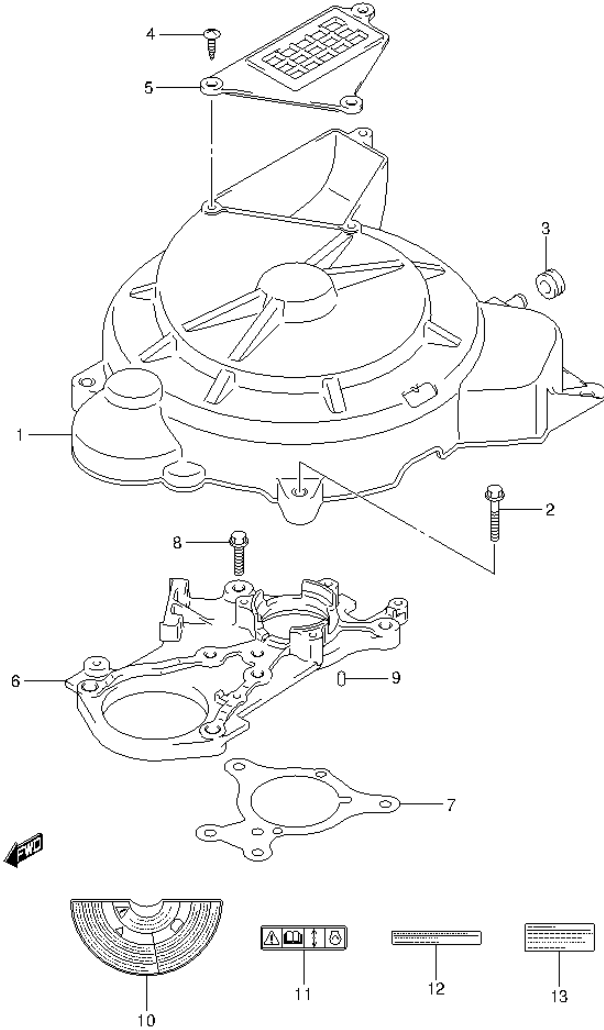


FIG.26 (1-C-13) RING GEAR COVER (DF60A E01)

REF NO.	PART NO.	DESCRIPTION	Q'TY	REMARKS
1	11510-88L00	COVER, RING GEAR	1	
2	01550-06307	BOLT	3	
3	09320-09501	CUSHION	1	
4	03542-06209	SCREW	3	
5	11514-88L00	PLATE, RING GEAR COVER	1	
6	11411-88L00	HOUSING, UPPER OIL SEAL	1	
7	11413-88L00	GASKET, UPPER OIL SEAL	1	
8	01550-06257	BOLT	5	
9	04221-04089	PIN	2	
10	61472-93E40	LABEL, MAG COVER	1	
11	69711-93E10	LABEL (S.I.G.P.)	1	
12	61493-88L00	LABEL, CLEARANCE	1	
13	61494-88L00	LABEL, OIL	1	

FIG.27

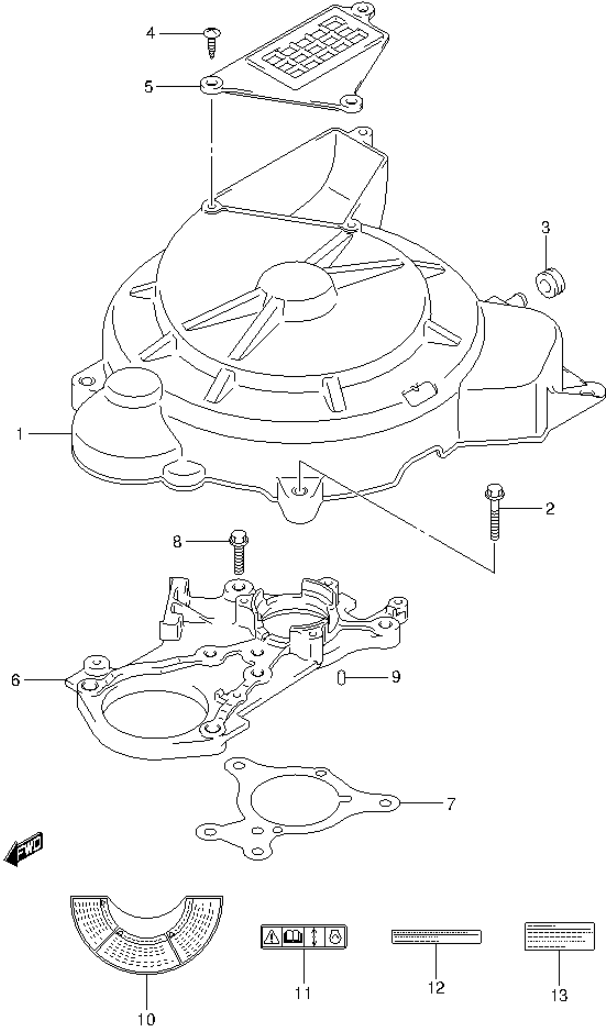


FIG.27 (1-C-14) RING GEAR COVER (DF60A E40)

REF NO.	PART NO.	DESCRIPTION	Q'TY	REMARKS
1	11510-88L00	COVER, RING GEAR	1	
2	01550-06307	BOLT	3	
3	09320-09501	CUSHION	1	
4	03542-06209	SCREW	3	
5	11514-88L00	PLATE, RING GEAR COVER	1	
6	11411-88L00	HOUSING, UPPER OIL SEAL	1	
7	11413-88L00	GASKET, UPPER OIL SEAL	1	
8	01550-06257	BOLT	5	
9	04221-04089	PIN	2	
10	61472-93E32	LABEL, MAG COVER	1	
11	69711-93E10	LABEL (S.I.G.P.)	1	
12	61493-88L00	LABEL, CLEARANCE	1	
13	61494-88L00	LABEL, OIL	1	

FIG.28

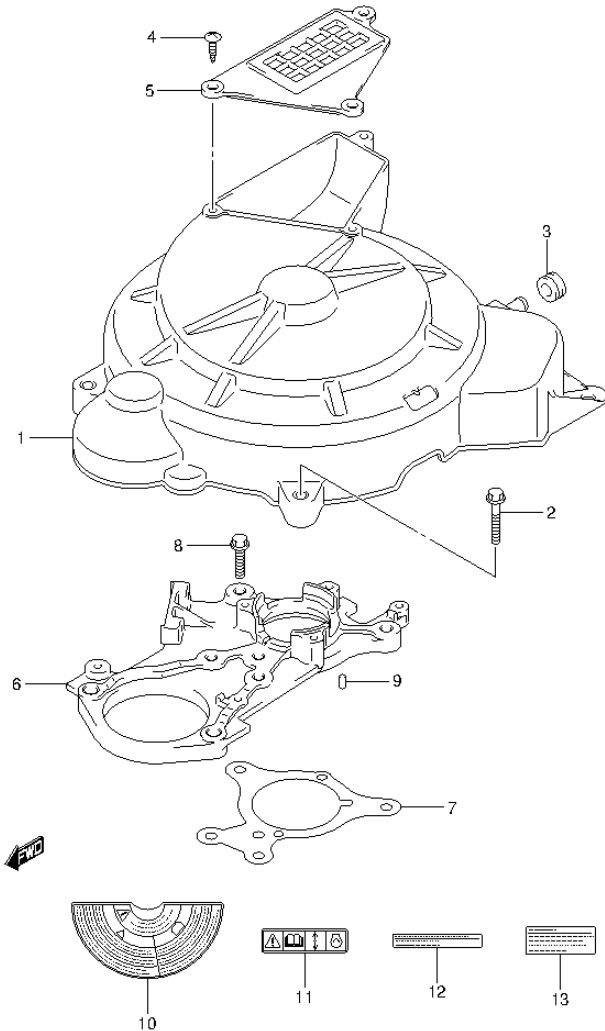


FIG.28 (1-C-15) RING GEAR COVER (DF60AQH E01)

REF NO.	PART NO.	DESCRIPTION	Q'TY	REMARKS
1	11510-88L00	COVER, RING GEAR	1	
2	01550-06307	BOLT	3	
3	09320-09501	CUSHION	1	
4	03542-06209	SCREW	3	
5	11514-88L00	PLATE, RING GEAR COVER	1	
6	11411-88L00	HOUSING, UPPER OIL SEAL	1	
7	11413-88L00	GASKET, UPPER OIL SEAL	1	
8	01550-06257	BOLT	5	
9	04221-04089	PIN	2	
10	61472-93E40	LABEL, MAG COVER	1	
11	69711-93E10	LABEL (S.I.G.P.)	1	
12	61493-88L00	LABEL, CLEARANCE	1	
13	61494-88L00	LABEL, OIL	1	

FIG.29

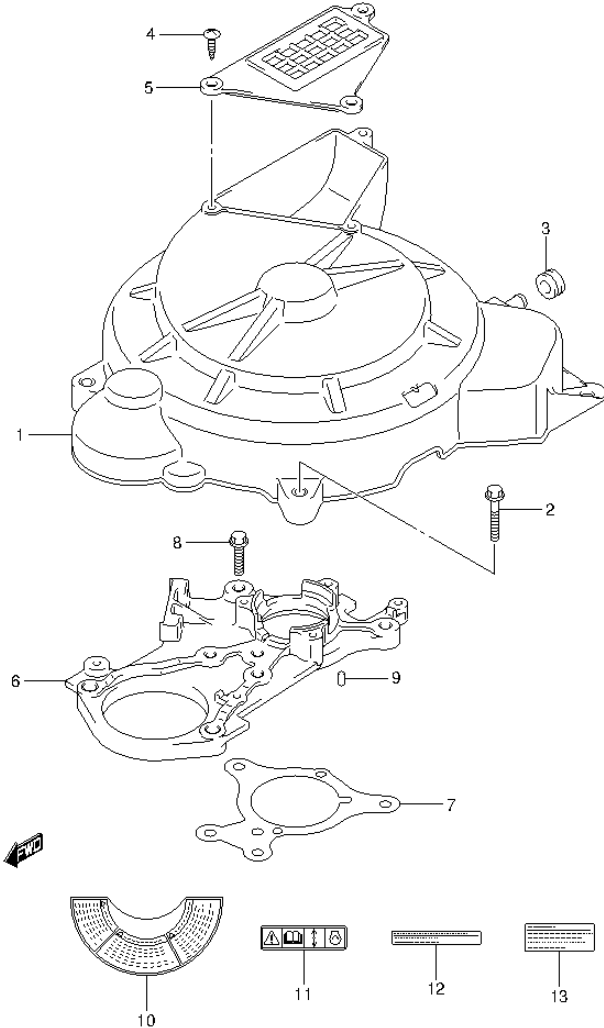


FIG.29 (1-D-2) RING GEAR COVER (DF60AQH E40)

REF NO.	PART NO.	DESCRIPTION	Q'TY	REMARKS
1	11510-88L00	COVER, RING GEAR	1	
2	01550-06307	BOLT	3	
3	09320-09501	CUSHION	1	
4	03542-06209	SCREW	3	
5	11514-88L00	PLATE, RING GEAR COVER	1	
6	11411-88L00	HOUSING, UPPER OIL SEAL	1	
7	11413-88L00	GASKET, UPPER OIL SEAL	1	
8	01550-06257	BOLT	5	
9	04221-04089	PIN	2	
10	61472-93E32	LABEL, MAG COVER	1	
11	69711-93E10	LABEL (S.I.G.P.)	1	
12	61493-88L00	LABEL, CLEARANCE	1	
13	61494-88L00	LABEL, OIL	1	

FIG.30

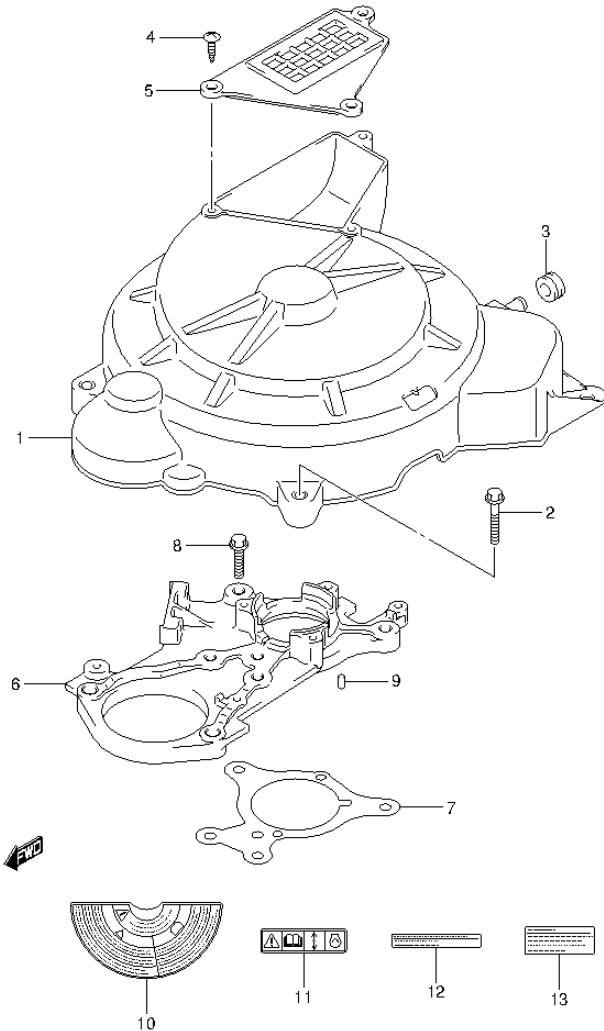


FIG.30 (1-D-3) RING GEAR COVER (DF60ATH E01)

REF NO.	PART NO.	DESCRIPTION	Q'TY	REMARKS
1	11510-88L00	COVER, RING GEAR	1	
2	01550-06307	BOLT	3	
3	09320-09501	CUSHION	1	
4	03542-06209	SCREW	3	
5	11514-88L00	PLATE, RING GEAR COVER	1	
6	11411-88L00	HOUSING, UPPER OIL SEAL	1	
7	11413-88L00	GASKET, UPPER OIL SEAL	1	
8	01550-06257	BOLT	5	
9	04221-04089	PIN	2	
10	61472-93E40	LABEL, MAG COVER	1	
11	69711-93E10	LABEL (S.I.G.P.)	1	
12	61493-88L00	LABEL, CLEARANCE	1	
13	61494-88L00	LABEL, OIL	1	

FIG.31

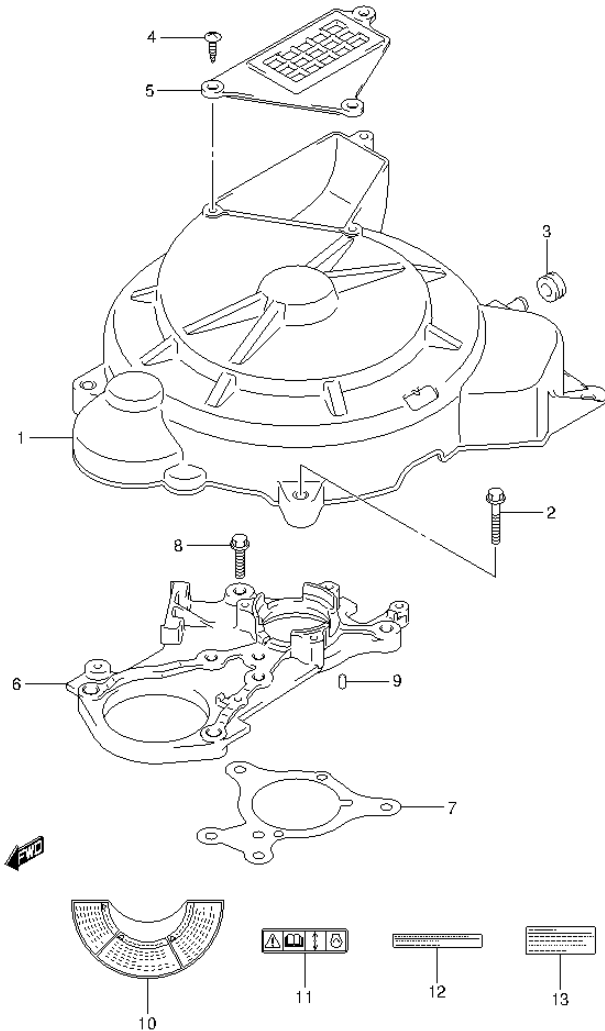


FIG.31 (1-D-4) RING GEAR COVER (DF60ATH E40)

REF NO.	PART NO.	DESCRIPTION	Q'TY	REMARKS
1	11510-88L00	COVER, RING GEAR	1	
2	01550-06307	BOLT	3	
3	09320-09501	CUSHION	1	
4	03542-06209	SCREW	3	
5	11514-88L00	PLATE, RING GEAR COVER	1	
6	11411-88L00	HOUSING, UPPER OIL SEAL	1	
7	11413-88L00	GASKET, UPPER OIL SEAL	1	
8	01550-06257	BOLT	5	
9	04221-04089	PIN	2	
10	61472-93E32	LABEL, MAG COVER	1	
11	69711-93E10	LABEL (S.I.G.P.)	1	
12	61493-88L00	LABEL, CLEARANCE	1	
13	61494-88L00	LABEL, OIL	1	

FIG.32

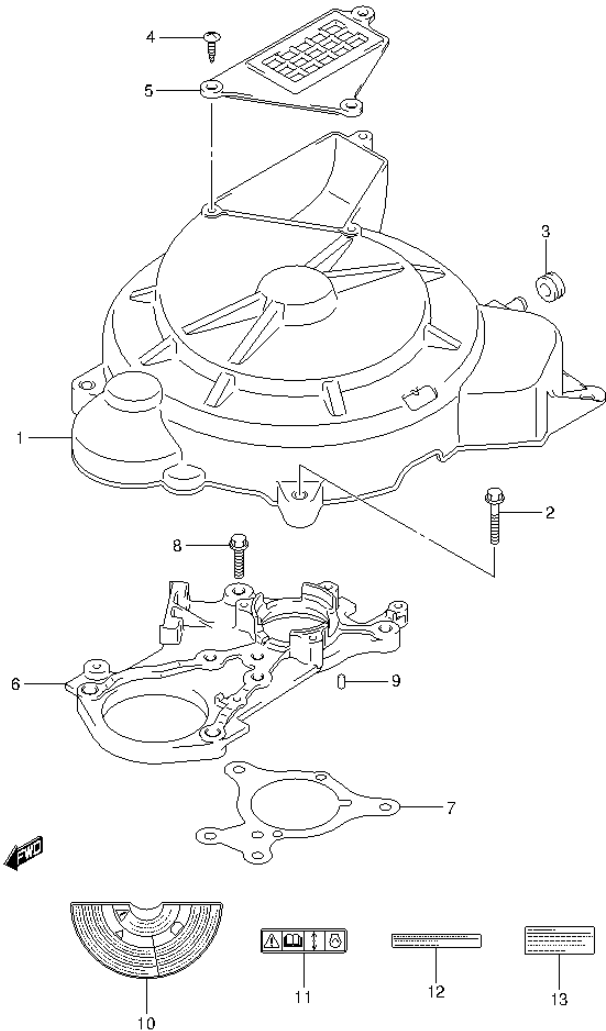


FIG.32 (1-D-5) RING GEAR COVER (DF50AVT E01)

REF NO.	PART NO.	DESCRIPTION	Q'TY	REMARKS
1	11510-88L00	COVER, RING GEAR	1	
2	01550-06307	BOLT	3	
3	09320-09501	CUSHION	1	
4	03542-06209	SCREW	3	
5	11514-88L00	PLATE, RING GEAR COVER	1	
6	11411-88L00	HOUSING, UPPER OIL SEAL	1	
7	11413-88L00	GASKET, UPPER OIL SEAL	1	
8	01550-06257	BOLT	5	
9	04221-04089	PIN	2	
10	61472-93E40	LABEL, MAG COVER	1	
11	69711-93E10	LABEL (S.I.G.P.)	1	
12	61493-88L00	LABEL, CLEARANCE	1	
13	61494-88L00	LABEL, OIL	1	

FIG.33

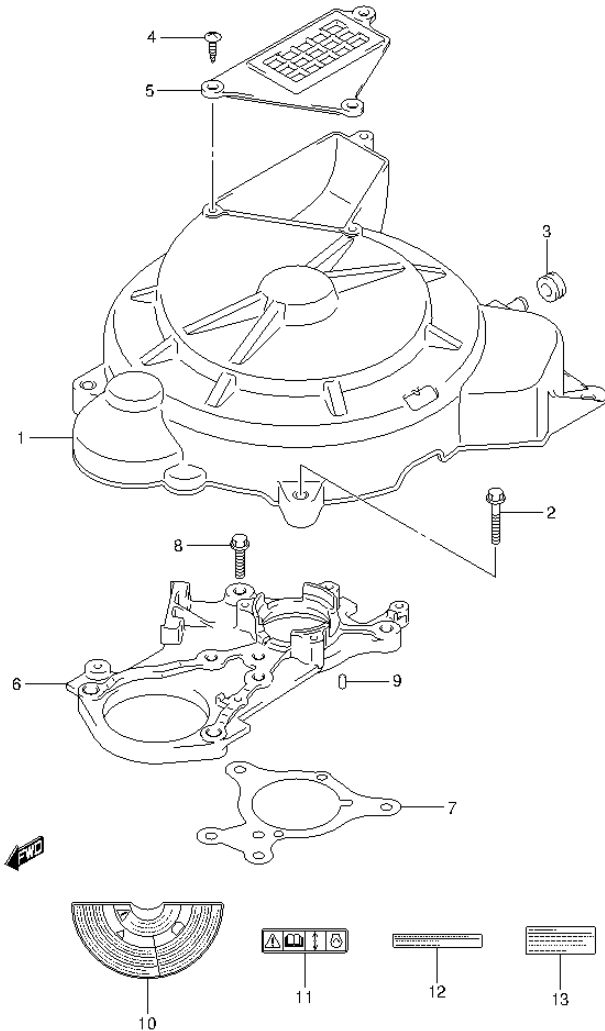


FIG.33 (1-D-6) RING GEAR COVER (DF50AVTH E01)

REF NO.	PART NO.	DESCRIPTION	Q'TY	REMARKS
1	11510-88L00	COVER, RING GEAR	1	
2	01550-06307	BOLT	3	
3	09320-09501	CUSHION	1	
4	03542-06209	SCREW	3	
5	11514-88L00	PLATE, RING GEAR COVER	1	
6	11411-88L00	HOUSING, UPPER OIL SEAL	1	
7	11413-88L00	GASKET, UPPER OIL SEAL	1	
8	01550-06257	BOLT	5	
9	04221-04089	PIN	2	
10	61472-93E40	LABEL, MAG COVER	1	
11	69711-93E10	LABEL (S.I.G.P.)	1	
12	61493-88L00	LABEL, CLEARANCE	1	
13	61494-88L00	LABEL, OIL	1	

FIG.34

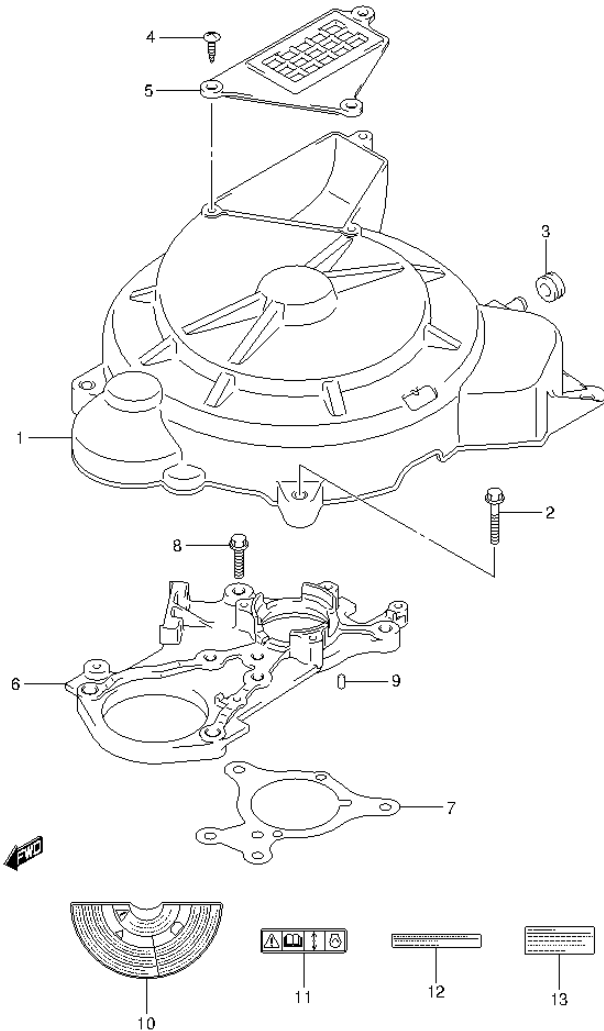


FIG.34 (1-D-7) RING GEAR COVER (DF60AVT E01)

REF NO.	PART NO.	DESCRIPTION	Q'TY	REMARKS
1	11510-88L00	COVER, RING GEAR	1	
2	01550-06307	BOLT	3	
3	09320-09501	CUSHION	1	
4	03542-06209	SCREW	3	
5	11514-88L00	PLATE, RING GEAR COVER	1	
6	11411-88L00	HOUSING, UPPER OIL SEAL	1	
7	11413-88L00	GASKET, UPPER OIL SEAL	1	
8	01550-06257	BOLT	5	
9	04221-04089	PIN	2	
10	61472-93E40	LABEL, MAG COVER	1	
11	69711-93E10	LABEL (S.I.G.P.)	1	
12	61493-88L00	LABEL, CLEARANCE	1	
13	61494-88L00	LABEL, OIL	1	

FIG.35

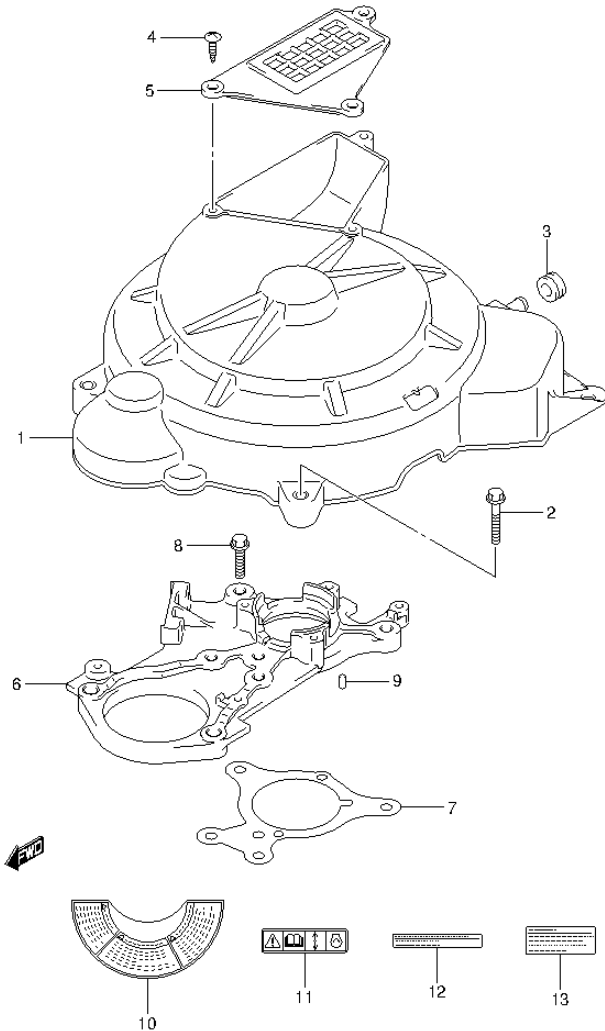


FIG.35 (1-D-8) RING GEAR COVER (DF60AVT E40)

REF NO.	PART NO.	DESCRIPTION	Q'TY	REMARKS
1	11510-88L00	COVER, RING GEAR	1	
2	01550-06307	BOLT	3	
3	09320-09501	CUSHION	1	
4	03542-06209	SCREW	3	
5	11514-88L00	PLATE, RING GEAR COVER	1	
6	11411-88L00	HOUSING, UPPER OIL SEAL	1	
7	11413-88L00	GASKET, UPPER OIL SEAL	1	
8	01550-06257	BOLT	5	
9	04221-04089	PIN	2	
10	61472-93E32	LABEL, MAG COVER	1	
11	69711-93E10	LABEL (S.I.G.P.)	1	
12	61493-88L00	LABEL, CLEARANCE	1	
13	61494-88L00	LABEL, OIL	1	

FIG.36

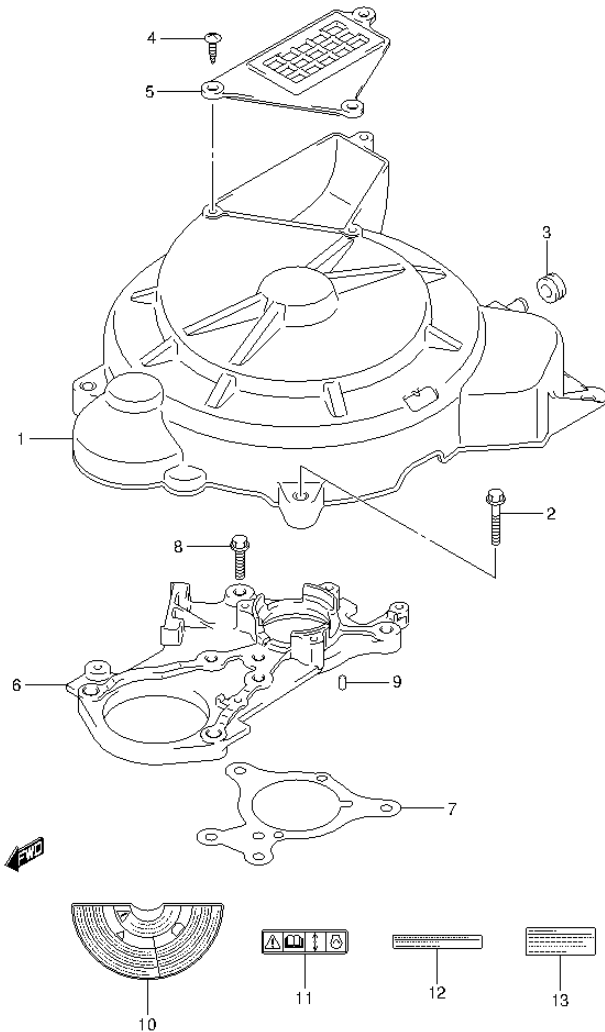


FIG.36 (1-D-9) RING GEAR COVER (DF60AVTH E01)

REF NO.	PART NO.	DESCRIPTION	Q'TY	REMARKS
1	11510-88L00	COVER, RING GEAR	1	
2	01550-06307	BOLT	3	
3	09320-09501	CUSHION	1	
4	03542-06209	SCREW	3	
5	11514-88L00	PLATE, RING GEAR COVER	1	
6	11411-88L00	HOUSING, UPPER OIL SEAL	1	
7	11413-88L00	GASKET, UPPER OIL SEAL	1	
8	01550-06257	BOLT	5	
9	04221-04089	PIN	2	
10	61472-93E40	LABEL, MAG COVER	1	
11	69711-93E10	LABEL (S.I.G.P.)	1	
12	61493-88L00	LABEL, CLEARANCE	1	
13	61494-88L00	LABEL, OIL	1	

FIG.37

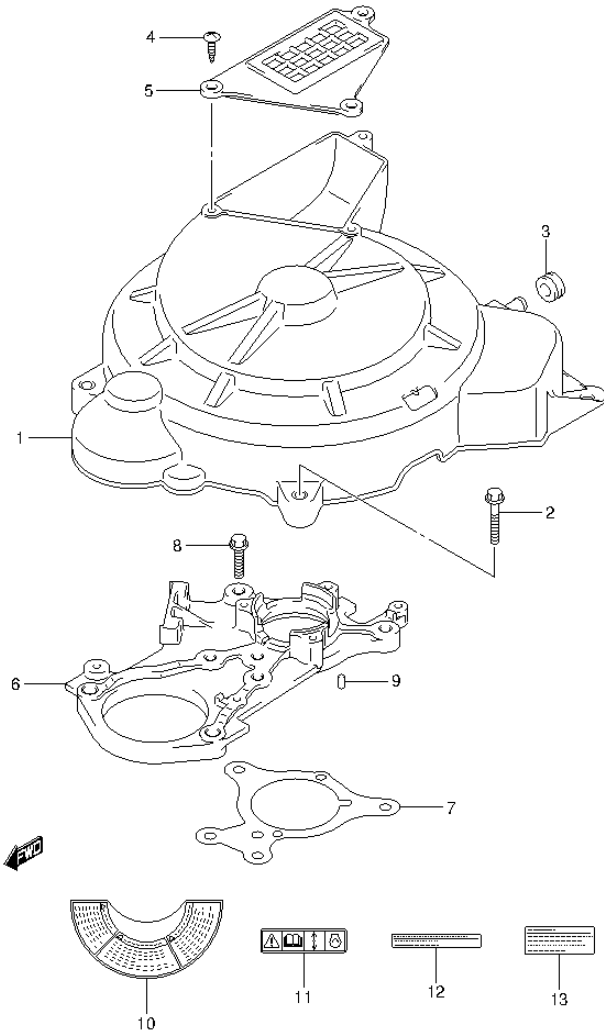


FIG.37 (1-D-10) RING GEAR COVER (DF60AVTH E40)

REF NO.	PART NO.	DESCRIPTION	Q'TY	REMARKS
1	11510-88L00	COVER, RING GEAR	1	
2	01550-06307	BOLT	3	
3	09320-09501	CUSHION	1	
4	03542-06209	SCREW	3	
5	11514-88L00	PLATE, RING GEAR COVER	1	
6	11411-88L00	HOUSING, UPPER OIL SEAL	1	
7	11413-88L00	GASKET, UPPER OIL SEAL	1	
8	01550-06257	BOLT	5	
9	04221-04089	PIN	2	
10	61472-93E32	LABEL, MAG COVER	1	
11	69711-93E10	LABEL (S.I.G.P.)	1	
12	61493-88L00	LABEL, CLEARANCE	1	
13	61494-88L00	LABEL, OIL	1	

FIG.38

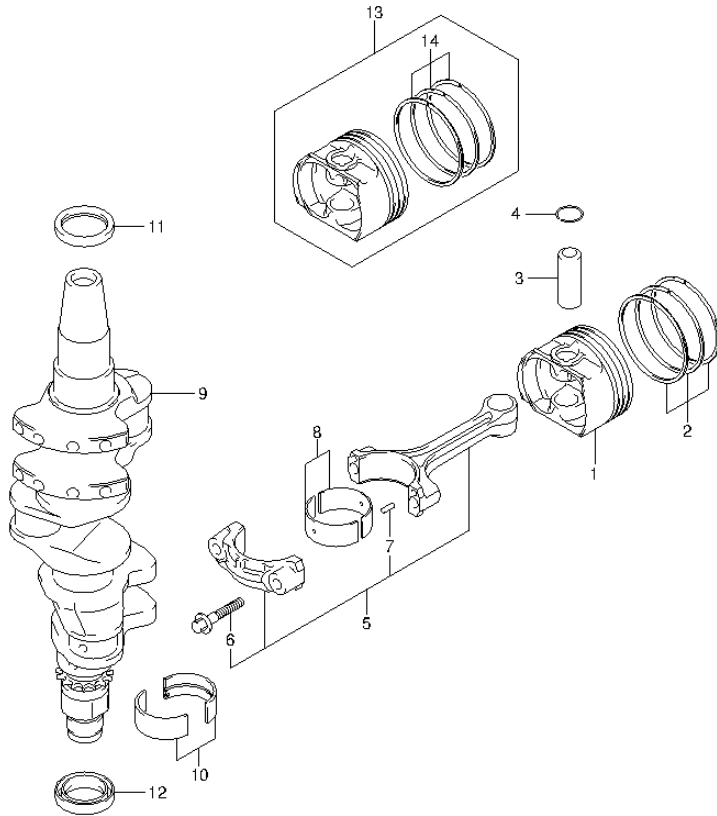


FIG.38 (1-D-11) CRANKSHAFT

REF NO.	PART NO.	DESCRIPTION	Q'TY	REMARKS
1	12111-88L00	PISTON	3	
2	12140-88L00	RING SET, PISTON	3	
3	12151-54A50	PIN, PISTON	3	
4	09381-18002	SNAP RING	6	
5	12160-88L01	CONNROD ASSY	3	
6	12163-69J00	.BOLT, CONNROD	6	
7	04221-04089	.PIN	6	
8-1	12100-51810-0A0	BEARING SET, CONNROD (GREEN)	3	
8-2	12100-51810-0B0	BEARING SET, CONNROD (BLACK)	3	
8-3	12100-51810-0C0	BEARING SET, CONNROD (NON)	3	
8-4	12100-51810-0D0	BEARING SET, CONNROD (YELLOW)	3	
8-5	12100-51810-0E0	BEARING SET, CONNROD (BLUE)	3	
9	12220-88L00	CRANKSHAFT	1	
10-1	12340-75FA0-0A0	BEARING SET, CRANKSHAFT (GREEN)	4	
10-2	12340-75FA0-0B0	BEARING SET, CRANKSHAFT (BLACK)	4	
10-3	12340-75F00-0C0	BEARING SET, CRANKSHAFT (NON)	4	
10-4	12340-75F00-0D0	BEARING SET, CRANKSHAFT (YELLOW)	4	
10-5	12340-75F00-0E0	BEARING SET, CRANKSHAFT (BLUE)	4	
11	09283-37005	OIL SEAL (37X49X6)	1	
12	12281-87J00	SEAL, LOWER OIL (29.3X44X7)	1	
13	12100-88L00-050	PISTON SET (OS:0.50)	3	OPT
14	12140-88L00-050	.RING SET, PISTON (OS:0.50)	3	OPT



FIG.39

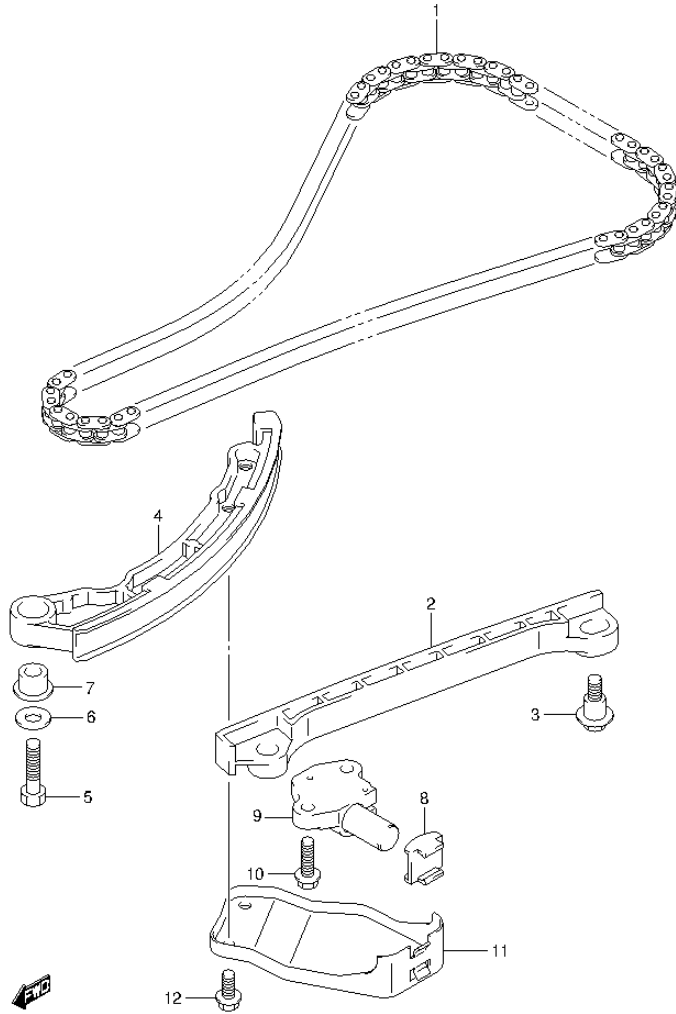


FIG.39 (1-D-12) TIMING CHAIN

REF NO.	PART NO.	DESCRIPTION	Q'TY	REMARKS
1	12761-88L00	CHAIN, TIMING	1	
2	12771-87J00	GUIDE, TIMING CHAIN NO.1	1	
3	12776-85FA0	BOLT, TIMING CHAIN GUIDE	2	
4	12811-88L00	TENSIONER, TIMING CHAIN	1	
5	09100-08260	BOLT (8X30)	1	
6	09160-08123	WASHER (8.5X20X1.2)	1	
7	12812-73G10	SPACER, TIMING CHAIN TENSIONER	1	
8	12813-73G00	PAD, TIMING CHAIN TENSIONER	1	
9	12831-90J02	ADJUSTER ASSY, TENSIONER	1	
10	01550-0620A	BOLT	2	
11	12821-88L00	LINK, TIMING CHAIN TENSIONER	1	
12	01550-0612A	BOLT	2	

FIG.40

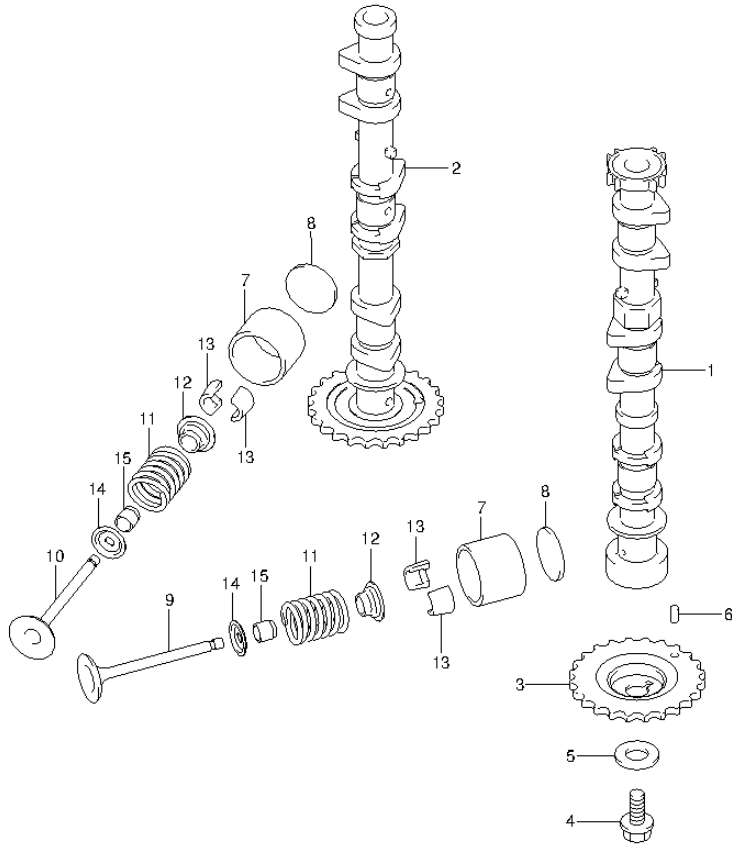


FIG.40 (1-D-13) CAMSHAFT

REF NO.	PART NO.	DESCRIPTION	Q'TY	REMARKS
1	12710-88L00	CAMSHAFT, INTAKE	1	
2	12720-88L00	CAMSHAFT, EXHAUST (NT:34)	1	
3	12741-88L00	SPROCKET, CAMSHAFT TIMING (NT:34)	1	
4	09103-10189	BOLT (10X23)	1	
5	09160-10093	WASHER (10.5X24X2.3)	1	
6	04221-05109	PIN	1	
7	12891-73G01	TAPPET	12	
8-1	12892-73G01-218	SHIM, TAPPET (T:2.18)	AR	OPT
8-2	12892-73G01-220	SHIM, TAPPET (T:2.20)	AR	OPT
8-3	12892-73G01-222	SHIM, TAPPET (T:2.22)	AR	OPT
8-4	12892-73G01-224	SHIM, TAPPET (T:2.24)	AR	OPT
8-5	12892-73G01-226	SHIM, TAPPET (T:2.26)	AR	OPT
8-6	12892-73G01-228	SHIM, TAPPET (T:2.28)	AR	OPT
8-7	12892-73G01-230	SHIM, TAPPET (T:2.30)	AR	
8-8	12892-73G01-232	SHIM, TAPPET (T:2.32)	AR	
8-9	12892-73G01-234	SHIM, TAPPET (T:2.34)	AR	
8-10	12892-73G01-236	SHIM, TAPPET (T:2.36)	AR	
8-11	12892-73G01-238	SHIM, TAPPET (T:2.38)	AR	
8-12	12892-73G01-240	SHIM, TAPPET (T:2.40)	AR	
8-13	12892-73G01-242	SHIM, TAPPET (T:2.42)	AR	
8-14	12892-73G01-244	SHIM, TAPPET (T:2.44)	AR	
8-15	12892-73G01-246	SHIM, TAPPET (T:2.46)	AR	
8-16	12892-73G01-248	SHIM, TAPPET (T:2.48)	AR	
8-17	12892-73G01-250	SHIM, TAPPET (T:2.50)	AR	
8-18	12892-73G01-252	SHIM, TAPPET (T:2.52)	AR	
8-19	12892-73G01-254	SHIM, TAPPET (T:2.54)	AR	
8-20	12892-73G01-256	SHIM, TAPPET (T:2.56)	AR	
8-21	12892-73G01-258	SHIM, TAPPET (T:2.58)	AR	
8-22	12892-73G01-260	SHIM, TAPPET (T:2.60)	AR	
8-23	12892-73G01-262	SHIM, TAPPET (T:2.62)	AR	
8-24	12892-73G01-264	SHIM, TAPPET (T:2.64)	AR	
8-25	12892-73G01-266	SHIM, TAPPET (T:2.66)	AR	
8-26	12892-73G01-268	SHIM, TAPPET (T:2.68)	AR	



FIG.40

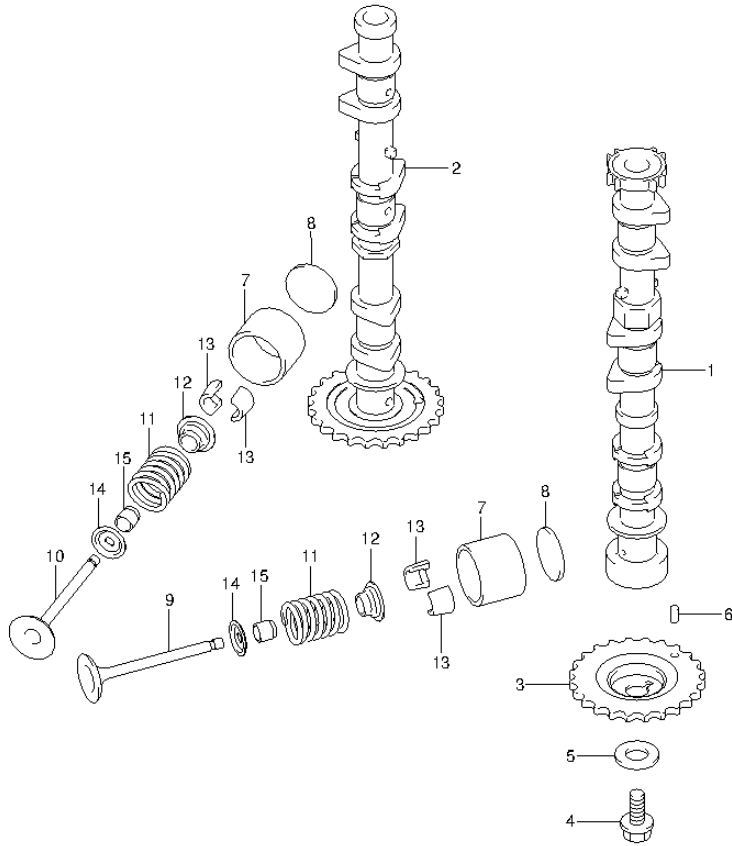


FIG.40 (1-D-14) CAMSHAFT

REF NO.	PART NO.	DESCRIPTION	Q'TY	REMARKS
8-27	12892-73G01-270	SHIM, TAPPET (T:2.70)	AR	
8-28	12892-73G01-272	SHIM, TAPPET (T:2.72)	AR	
8-29	12892-73G01-274	SHIM, TAPPET (T:2.74)	AR	
8-30	12892-73G01-276	SHIM, TAPPET (T:2.76)	AR	
8-31	12892-73G01-278	SHIM, TAPPET (T:2.78)	AR	
8-32	12892-73G01-280	SHIM, TAPPET (T:2.80)	AR	
8-33	12892-73G01-282	SHIM, TAPPET (T:2.82)	AR	OPT
8-34	12892-73G01-284	SHIM, TAPPET (T:2.84)	AR	OPT
8-35	12892-73G01-286	SHIM, TAPPET (T:2.86)	AR	OPT
8-36	12892-73G01-288	SHIM, TAPPET (T:2.88)	AR	OPT
8-37	12892-73G01-290	SHIM, TAPPET (T:2.90)	AR	OPT
8-38	12892-73G01-292	SHIM, TAPPET (T:2.92)	AR	OPT
8-39	12892-73G01-294	SHIM, TAPPET (T:2.94)	AR	OPT
8-40	12892-73G01-296	SHIM, TAPPET (T:2.96)	AR	OPT
8-41	12892-73G01-298	SHIM, TAPPET (T:2.98)	AR	OPT
8-42	12892-73G01-300	SHIM, TAPPET (T:3.00)	AR	OPT
9	12911-88L00	VALVE, INTAKE	6	
10	12915-73G20	VALVE, EXHAUST	6	
11	12921-87J10	SPRING, VALVE	12	
12	12931-78G00	RETAINER, VALVE SPRING	12	
13	12932-24400	COTTER, VALVE	24	
14	12933-51E00	SEAT, VALVE SPRING	12	
15	09289-05012	OIL SEAL (5.5X11.5X9.3)	12	



FIG.41

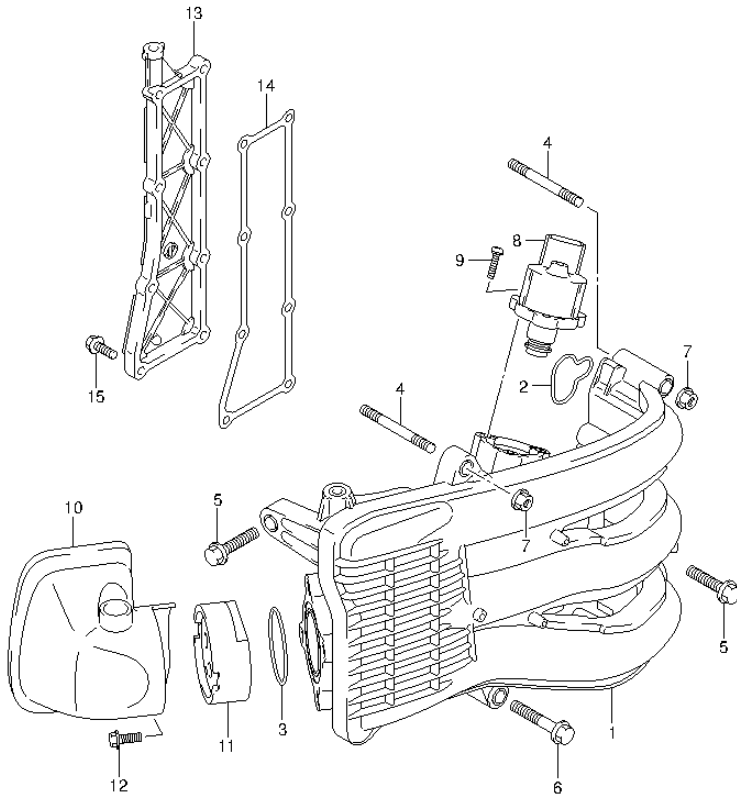


FIG.41 (1-D-15) INTAKE MANIFOLD/SILENCER/EXHAUST COVER (DF40A E01)

REF NO.	PART NO.	DESCRIPTION	Q'TY	REMARKS
1	13110-88L00	MANIFOLD, INTAKE	1	
2	13119-88L00	.GASKET, INTAKE MANIFOLD	3	
3	13125-88L00	.GASKET, THROTTLE BODY	1	
4	01421-08607	STUD BOLT	2	
5	01550-08307	BOLT	6	
6	01550-08407	BOLT	1	
7	08316-10087	NUT	2	
8	18137-88L01	VALVE, IAC	1	
9	02112-34167	SCREW	3	
10	13810-88L00	SILENCER	1	
11	13820-88L00	HOLDER, SILENCER	1	
12	01550-06127	BOLT	1	
13	14141-88L00	COVER, EXHAUST	1	
14	14151-88L00	GASKET, EXHAUST COVER	1	
15	01550-06207	BOLT	8	

FIG.42

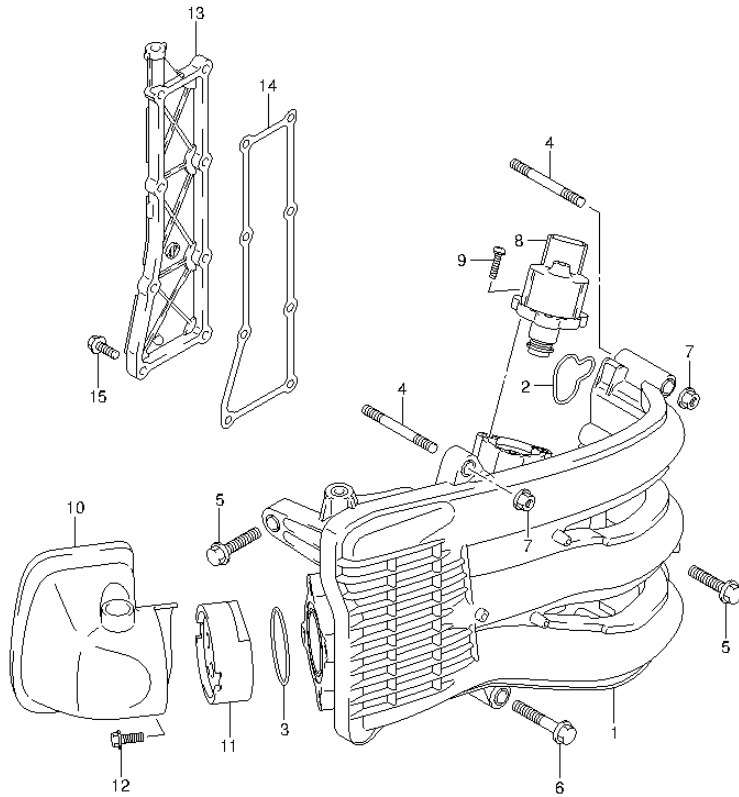


FIG.42 (1-E-2) INTAKE MANIFOLD/SILENCER/EXHAUST COVER (DF40AQH E01)

REF NO.	PART NO.	DESCRIPTION	Q'TY	REMARKS
1	13110-88L00	MANIFOLD, INTAKE	1	
2	13119-88L00	.GASKET, INTAKE MANIFOLD	3	
3	13125-88L00	.GASKET, THROTTLE BODY	1	
4	01421-08607	STUD BOLT	2	
5	01550-08307	BOLT	6	
6	01550-08407	BOLT	1	
7	08316-10087	NUT	2	
8	18137-88L01	VALVE, IAC	1	
9	02112-34167	SCREW	3	
10	13810-88L00	SILENCER	1	
11	13820-88L00	HOLDER, SILENCER	1	
12	01550-06127	BOLT	1	
13	14141-88L00	COVER, EXHAUST	1	
14	14151-88L00	GASKET, EXHAUST COVER	1	
15	01550-06207	BOLT	8	

FIG.43

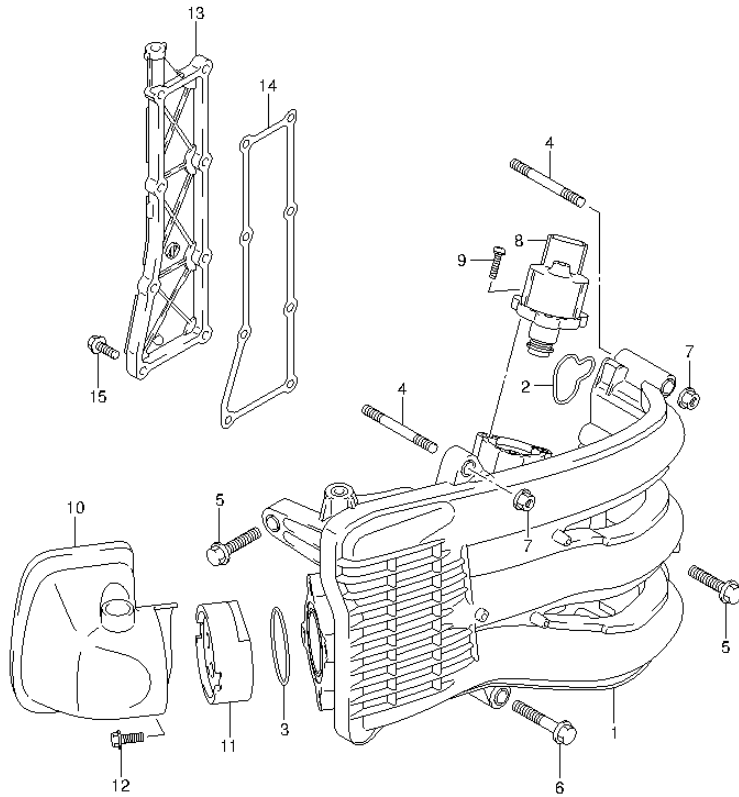


FIG.43 (1-E-3) INTAKE MANIFOLD/SILENCER/EXHAUST COVER (DF40ATH E01)

REF NO.	PART NO.	DESCRIPTION	Q'TY	REMARKS
1	13110-88L00	MANIFOLD, INTAKE	1	
2	13119-88L00	.GASKET, INTAKE MANIFOLD	3	
3	13125-88L00	.GASKET, THROTTLE BODY	1	
4	01421-08607	STUD BOLT	2	
5	01550-08307	BOLT	6	
6	01550-08407	BOLT	1	
7	08316-10087	NUT	2	
8	18137-88L01	VALVE, IAC	1	
9	02112-34167	SCREW	3	
10	13810-88L00	SILENCER	1	
11	13820-88L00	HOLDER, SILENCER	1	
12	01550-06127	BOLT	1	
13	14141-88L00	COVER, EXHAUST	1	
14	14151-88L00	GASKET, EXHAUST COVER	1	
15	01550-06207	BOLT	8	

FIG.44

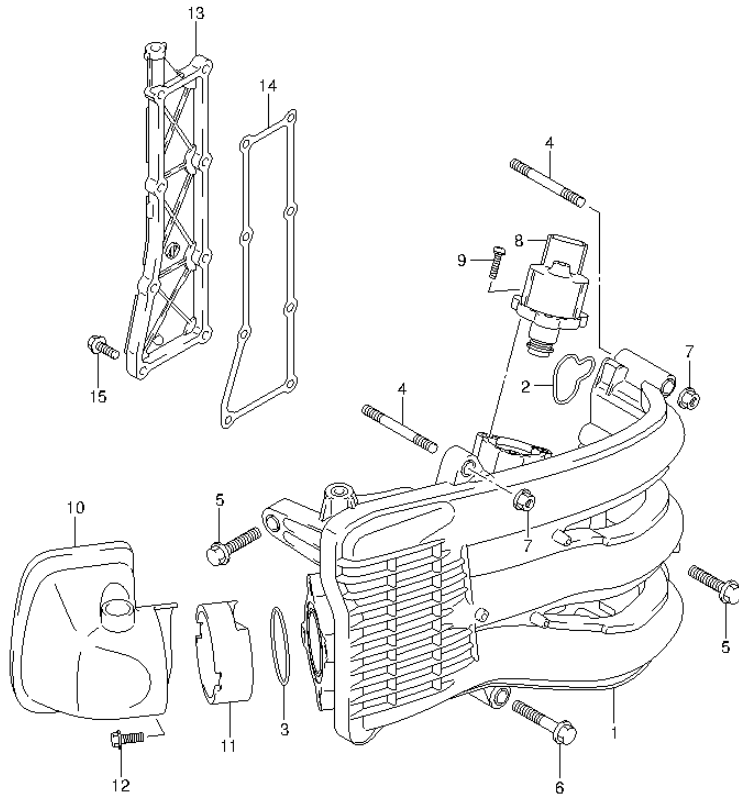


FIG.44 (1-E-4) INTAKE MANIFOLD/SILENCER/EXHAUST COVER (DF40AST E34)

REF NO.	PART NO.	DESCRIPTION	Q'TY	REMARKS
1	13110-88L00	MANIFOLD, INTAKE	1	
2	13119-88L00	.GASKET, INTAKE MANIFOLD	3	
3	13125-88L00	.GASKET, THROTTLE BODY	1	
4	01421-08607	STUD BOLT	2	
5	01550-08307	BOLT	6	
6	01550-08407	BOLT	1	
7	08316-10087	NUT	2	
8	18137-88L01	VALVE, IAC	1	
9	02112-34167	SCREW	3	
10	13810-88L00	SILENCER	1	
11	13813-88L00	HOLDER, SILENCER	1	
12	01550-06127	BOLT	1	
13	14141-88L00	COVER, EXHAUST	1	
14	14151-88L00	GASKET, EXHAUST COVER	1	
15	01550-06207	BOLT	8	

FIG.45

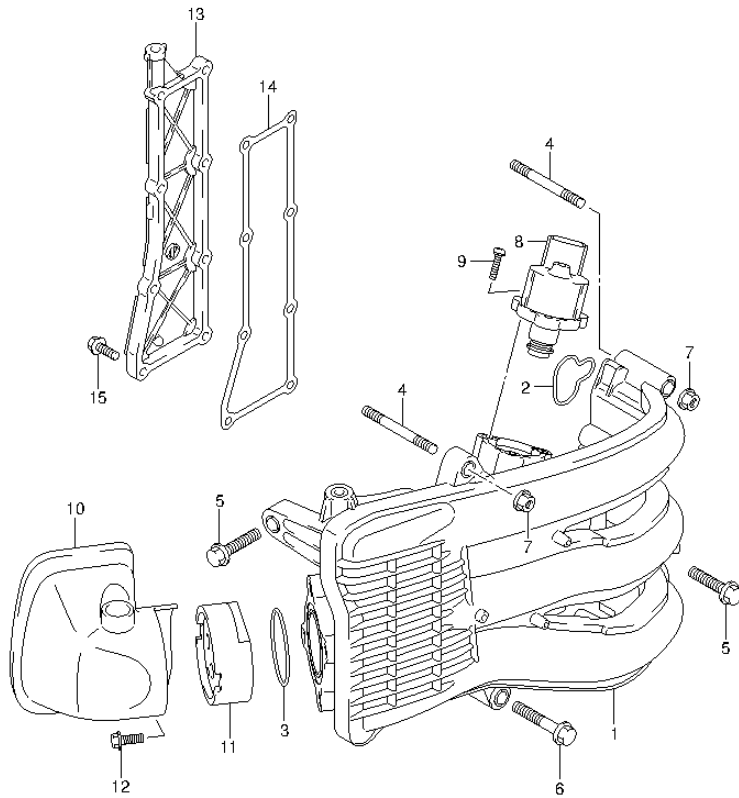


FIG.45 (1-E-5) INTAKE MANIFOLD/SILENCER/EXHAUST COVER (DF50A E01)

REF NO.	PART NO.	DESCRIPTION	Q'TY	REMARKS
1	13110-88L00	MANIFOLD, INTAKE	1	
2	13119-88L00	.GASKET, INTAKE MANIFOLD	3	
3	13125-88L00	.GASKET, THROTTLE BODY	1	
4	01421-08607	STUD BOLT	2	
5	01550-08307	BOLT	6	
6	01550-08407	BOLT	1	
7	08316-10087	NUT	2	
8	18137-88L01	VALVE, IAC	1	
9	02112-34167	SCREW	3	
10	13810-88L00	SILENCER	1	
11	13820-88L10	HOLDER, SILENCER	1	
12	01550-06127	BOLT	1	
13	14141-88L00	COVER, EXHAUST	1	
14	14151-88L00	GASKET, EXHAUST COVER	1	
15	01550-06207	BOLT	8	

FIG.46

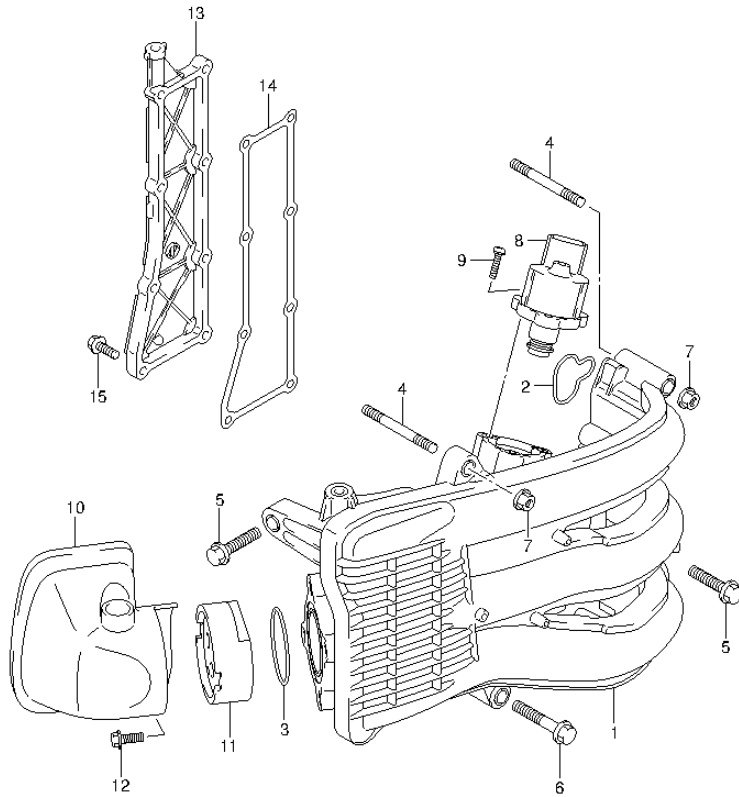


FIG.46 (1-E-6) INTAKE MANIFOLD/SILENCER/EXHAUST COVER (DF50ATH E01)

REF NO.	PART NO.	DESCRIPTION	Q'TY	REMARKS
1	13110-88L00	MANIFOLD, INTAKE	1	
2	13119-88L00	.GASKET, INTAKE MANIFOLD	3	
3	13125-88L00	.GASKET, THROTTLE BODY	1	
4	01421-08607	STUD BOLT	2	
5	01550-08307	BOLT	6	
6	01550-08407	BOLT	1	
7	08316-10087	NUT	2	
8	18137-88L01	VALVE, IAC	1	
9	02112-34167	SCREW	3	
10	13810-88L00	SILENCER	1	
11	13820-88L10	HOLDER, SILENCER	1	
12	01550-06127	BOLT	1	
13	14141-88L00	COVER, EXHAUST	1	
14	14151-88L00	GASKET, EXHAUST COVER	1	
15	01550-06207	BOLT	8	

FIG.47

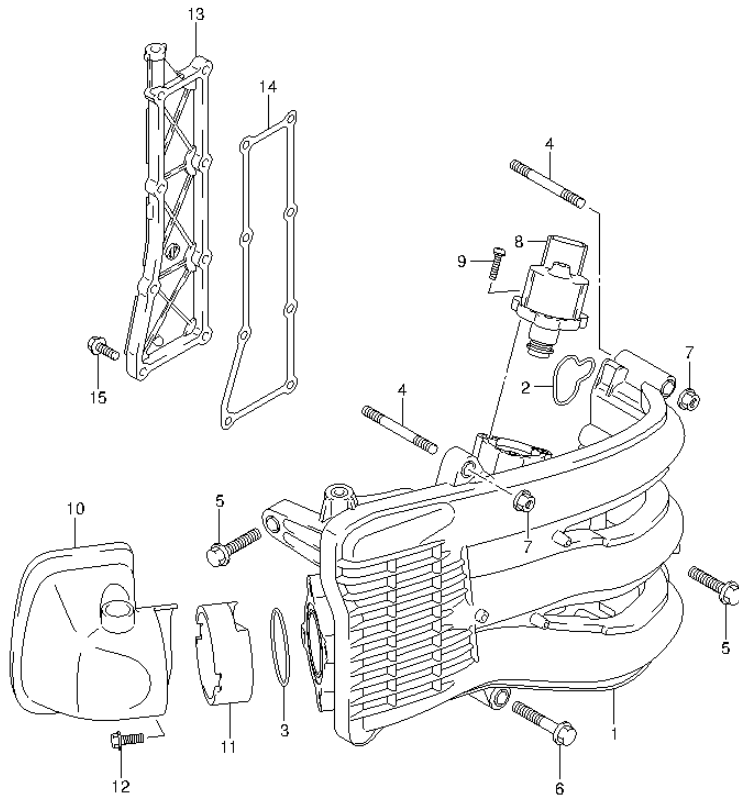


FIG.47 (1-E-7) INTAKE MANIFOLD/SILENCER/EXHAUST COVER (DF60A E01)

REF NO.	PART NO.	DESCRIPTION	Q'TY	REMARKS
1	13110-88L00	MANIFOLD, INTAKE	1	
2	13119-88L00	.GASKET, INTAKE MANIFOLD	3	
3	13125-88L00	.GASKET, THROTTLE BODY	1	
4	01421-08607	STUD BOLT	2	
5	01550-08307	BOLT	6	
6	01550-08407	BOLT	1	
7	08316-10087	NUT	2	
8	18137-88L01	VALVE, IAC	1	
9	02112-34167	SCREW	3	
10	13810-88L00	SILENCER	1	
11	13813-88L00	HOLDER, SILENCER	1	
12	01550-06127	BOLT	1	
13	14141-88L00	COVER, EXHAUST	1	
14	14151-88L00	GASKET, EXHAUST COVER	1	
15	01550-06207	BOLT	8	

FIG.48

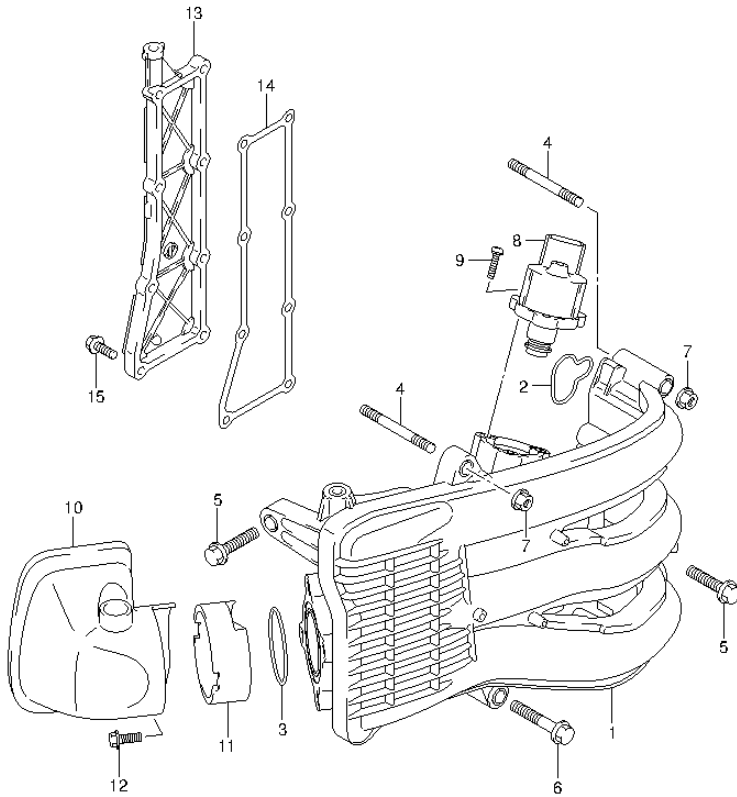


FIG.48 (1-E-8) INTAKE MANIFOLD/SILENCER/EXHAUST COVER (DF60A E40)

REF NO.	PART NO.	DESCRIPTION	Q'TY	REMARKS
1	13110-88L00	MANIFOLD, INTAKE	1	
2	13119-88L00	.GASKET, INTAKE MANIFOLD	3	
3	13125-88L00	.GASKET, THROTTLE BODY	1	
4	01421-08607	STUD BOLT	2	
5	01550-08307	BOLT	6	
6	01550-08407	BOLT	1	
7	08316-10087	NUT	2	
8	18137-88L01	VALVE, IAC	1	
9	02112-34167	SCREW	3	
10	13810-88L00	SILENCER	1	
11	13813-88L00	HOLDER, SILENCER	1	
12	01550-06127	BOLT	1	
13	14141-88L00	COVER, EXHAUST	1	
14	14151-88L00	GASKET, EXHAUST COVER	1	
15	01550-06207	BOLT	8	

FIG.49

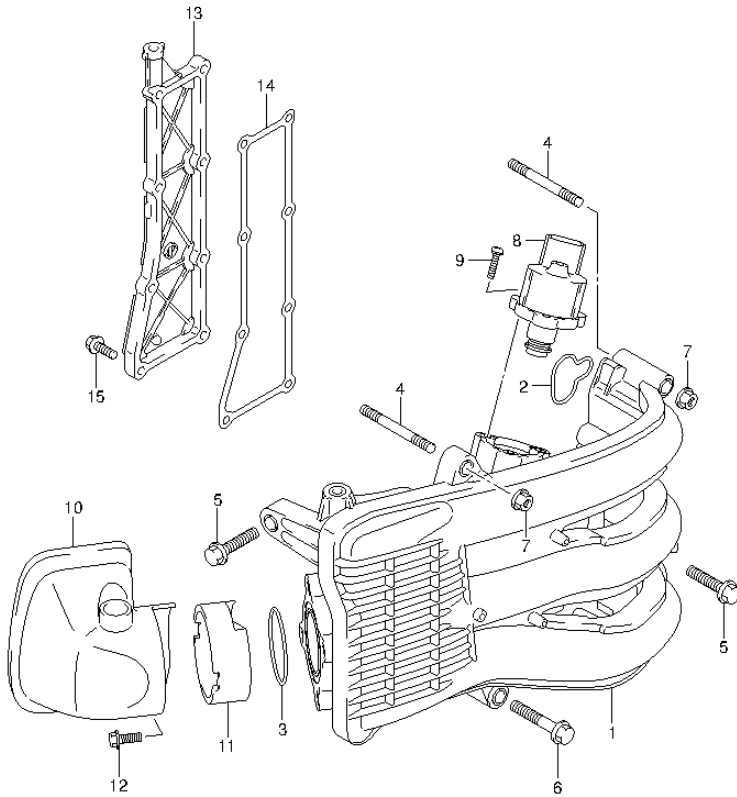


FIG.49 (1-E-9) INTAKE MANIFOLD/SILENCER/EXHAUST COVER (DF60AQH E01)

REF NO.	PART NO.	DESCRIPTION	Q'TY	REMARKS
1	13110-88L00	MANIFOLD, INTAKE	1	
2	13119-88L00	.GASKET, INTAKE MANIFOLD	3	
3	13125-88L00	.GASKET, THROTTLE BODY	1	
4	01421-08607	STUD BOLT	2	
5	01550-08307	BOLT	6	
6	01550-08407	BOLT	1	
7	08316-10087	NUT	2	
8	18137-88L01	VALVE, IAC	1	
9	02112-34167	SCREW	3	
10	13810-88L00	SILENCER	1	
11	13813-88L00	HOLDER, SILENCER	1	
12	01550-06127	BOLT	1	
13	14141-88L00	COVER, EXHAUST	1	
14	14151-88L00	GASKET, EXHAUST COVER	1	
15	01550-06207	BOLT	8	

FIG.50

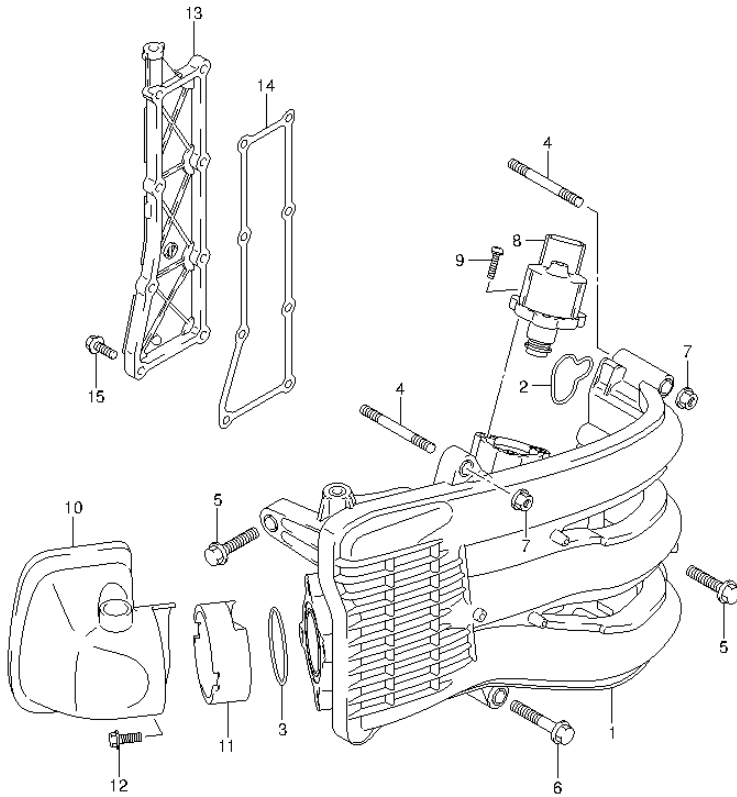


FIG.50 (1-E-10) INTAKE MANIFOLD/SILENCER/EXHAUST COVER (DF60AQH E4)

REF NO.	PART NO.	DESCRIPTION	Q'TY	REMARKS
1	13110-88L00	MANIFOLD, INTAKE	1	
2	13119-88L00	.GASKET, INTAKE MANIFOLD	3	
3	13125-88L00	.GASKET, THROTTLE BODY	1	
4	01421-08607	STUD BOLT	2	
5	01550-08307	BOLT	6	
6	01550-08407	BOLT	1	
7	08316-10087	NUT	2	
8	18137-88L01	VALVE, IAC	1	
9	02112-34167	SCREW	3	
10	13810-88L00	SILENCER	1	
11	13813-88L00	HOLDER, SILENCER	1	
12	01550-06127	BOLT	1	
13	14141-88L00	COVER, EXHAUST	1	
14	14151-88L00	GASKET, EXHAUST COVER	1	
15	01550-06207	BOLT	8	

FIG.51

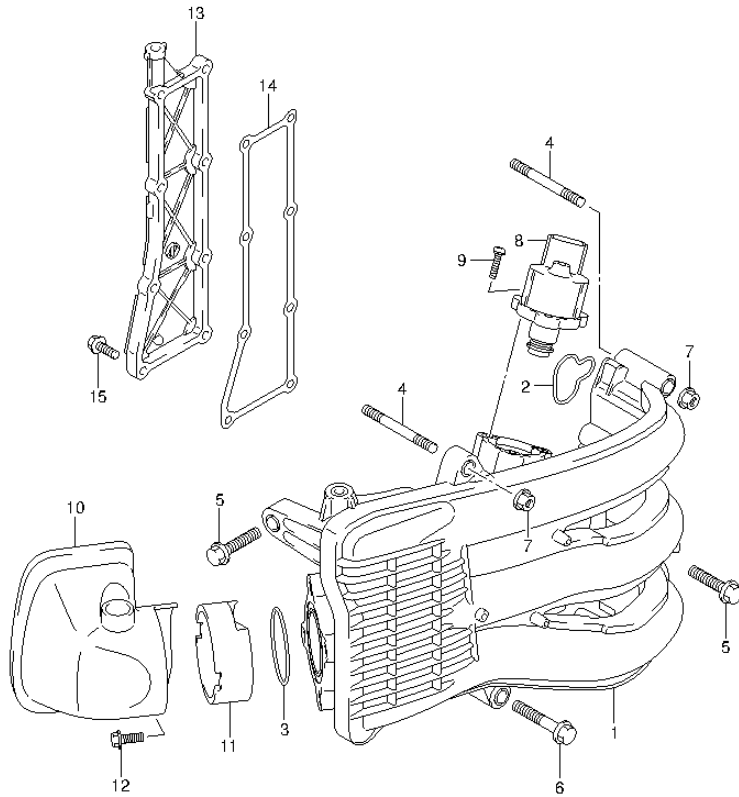


FIG.51 (1-E-11) INTAKE MANIFOLD/SILENCER/EXHAUST COVER (DF60ATH E0)

REF NO.	PART NO.	DESCRIPTION	Q'TY	REMARKS
1	13110-88L00	MANIFOLD, INTAKE	1	
2	13119-88L00	.GASKET, INTAKE MANIFOLD	3	
3	13125-88L00	.GASKET, THROTTLE BODY	1	
4	01421-08607	STUD BOLT	2	
5	01550-08307	BOLT	6	
6	01550-08407	BOLT	1	
7	08316-10087	NUT	2	
8	18137-88L01	VALVE, IAC	1	
9	02112-34167	SCREW	3	
10	13810-88L00	SILENCER	1	
11	13813-88L00	HOLDER, SILENCER	1	
12	01550-06127	BOLT	1	
13	14141-88L00	COVER, EXHAUST	1	
14	14151-88L00	GASKET, EXHAUST COVER	1	
15	01550-06207	BOLT	8	

FIG.52

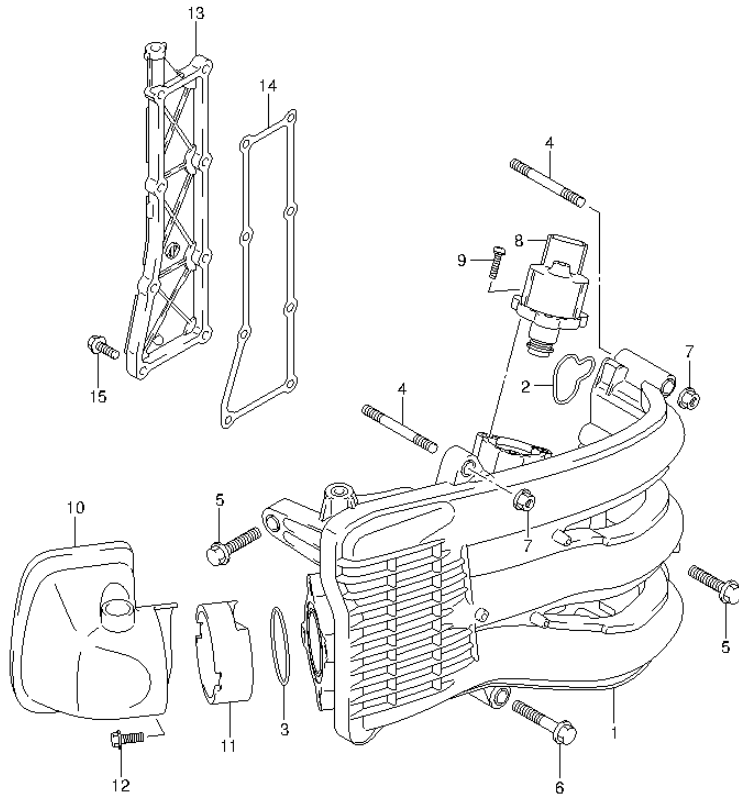


FIG.52 (1-E-12) INTAKE MANIFOLD/SILENCER/EXHAUST COVER (DF60ATH E4)

REF NO.	PART NO.	DESCRIPTION	Q'TY	REMARKS
1	13110-88L00	MANIFOLD, INTAKE	1	
2	13119-88L00	.GASKET, INTAKE MANIFOLD	3	
3	13125-88L00	.GASKET, THROTTLE BODY	1	
4	01421-08607	STUD BOLT	2	
5	01550-08307	BOLT	6	
6	01550-08407	BOLT	1	
7	08316-10087	NUT	2	
8	18137-88L01	VALVE, IAC	1	
9	02112-34167	SCREW	3	
10	13810-88L00	SILENCER	1	
11	13813-88L00	HOLDER, SILENCER	1	
12	01550-06127	BOLT	1	
13	14141-88L00	COVER, EXHAUST	1	
14	14151-88L00	GASKET, EXHAUST COVER	1	
15	01550-06207	BOLT	8	

FIG.53

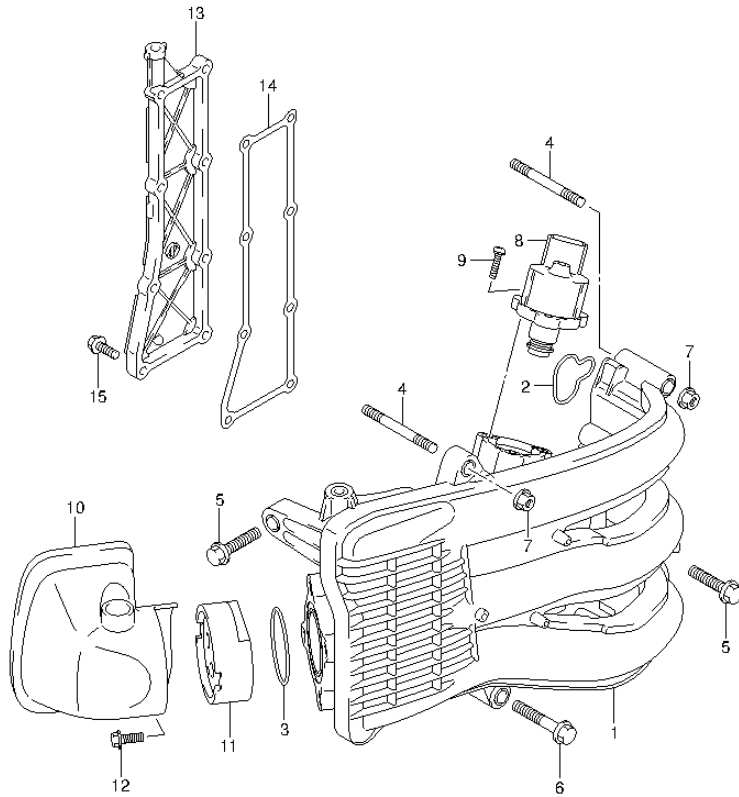


FIG.53 (1-E-13) INTAKE MANIFOLD/SILENCER/EXHAUST COVER (DF50AVT E0)

REF NO.	PART NO.	DESCRIPTION	Q'TY	REMARKS
1	13110-88L00	MANIFOLD, INTAKE	1	
2	13119-88L00	.GASKET, INTAKE MANIFOLD	3	
3	13125-88L00	.GASKET, THROTTLE BODY	1	
4	01421-08607	STUD BOLT	2	
5	01550-08307	BOLT	6	
6	01550-08407	BOLT	1	
7	08316-10087	NUT	2	
8	18137-88L01	VALVE, IAC	1	
9	02112-34167	SCREW	3	
10	13810-88L00	SILENCER	1	
11	13820-88L10	HOLDER, SILENCER	1	
12	01550-06127	BOLT	1	
13	14141-88L00	COVER, EXHAUST	1	
14	14151-88L00	GASKET, EXHAUST COVER	1	
15	01550-06207	BOLT	8	

FIG.54

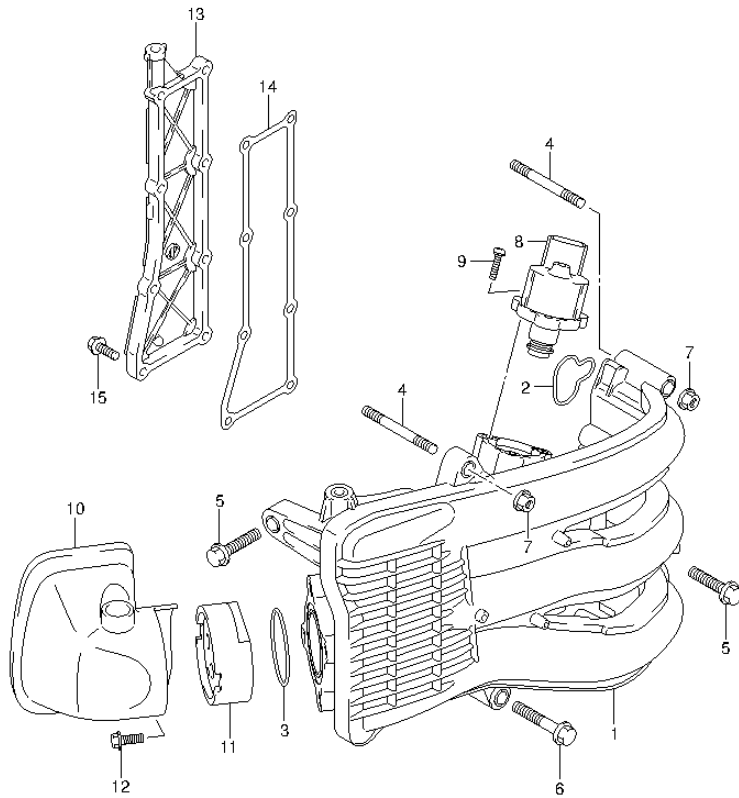


FIG.54 (1-E-14) INTAKE MANIFOLD/SILENCER/EXHAUST COVER (DF50AVTH E

REF NO.	PART NO.	DESCRIPTION	Q'TY	REMARKS
1	13110-88L00	MANIFOLD, INTAKE	1	
2	13119-88L00	.GASKET, INTAKE MANIFOLD	3	
3	13125-88L00	.GASKET, THROTTLE BODY	1	
4	01421-08607	STUD BOLT	2	
5	01550-08307	BOLT	6	
6	01550-08407	BOLT	1	
7	08316-10087	NUT	2	
8	18137-88L01	VALVE, IAC	1	
9	02112-34167	SCREW	3	
10	13810-88L00	SILENCER	1	
11	13820-88L10	HOLDER, SILENCER	1	
12	01550-06127	BOLT	1	
13	14141-88L00	COVER, EXHAUST	1	
14	14151-88L00	GASKET, EXHAUST COVER	1	
15	01550-06207	BOLT	8	

FIG.55

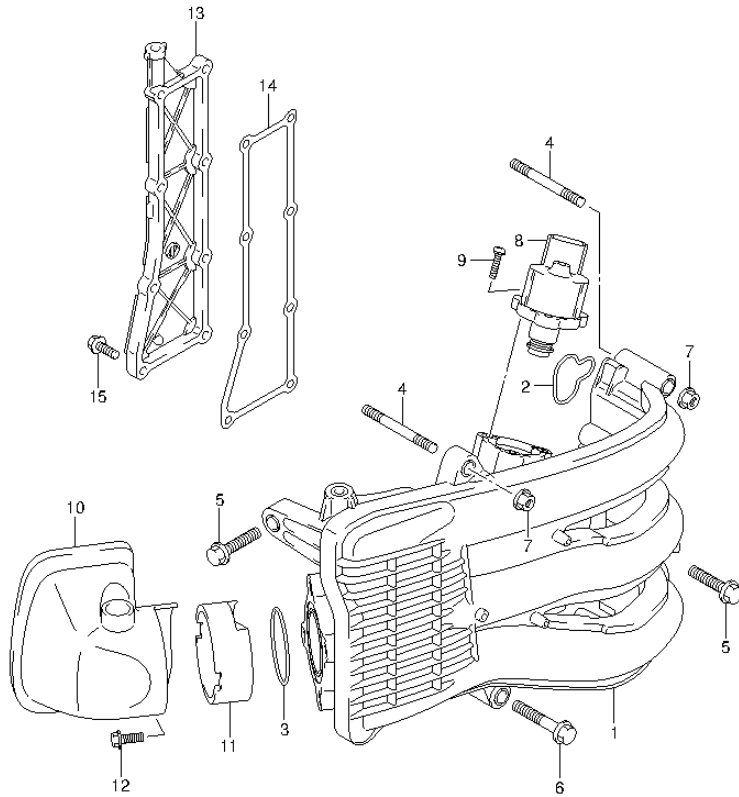


FIG.55 (1-E-15) INTAKE MANIFOLD/SILENCER/EXHAUST COVER (DF60AVT E0)

REF NO.	PART NO.	DESCRIPTION	Q'TY	REMARKS
1	13110-88L00	MANIFOLD, INTAKE	1	
2	13119-88L00	.GASKET, INTAKE MANIFOLD	3	
3	13125-88L00	.GASKET, THROTTLE BODY	1	
4	01421-08607	STUD BOLT	2	
5	01550-08307	BOLT	6	
6	01550-08407	BOLT	1	
7	08316-10087	NUT	2	
8	18137-88L01	VALVE, IAC	1	
9	02112-34167	SCREW	3	
10	13810-88L00	SILENCER	1	
11	13813-88L00	HOLDER, SILENCER	1	
12	01550-06127	BOLT	1	
13	14141-88L00	COVER, EXHAUST	1	
14	14151-88L00	GASKET, EXHAUST COVER	1	
15	01550-06207	BOLT	8	

FIG.56

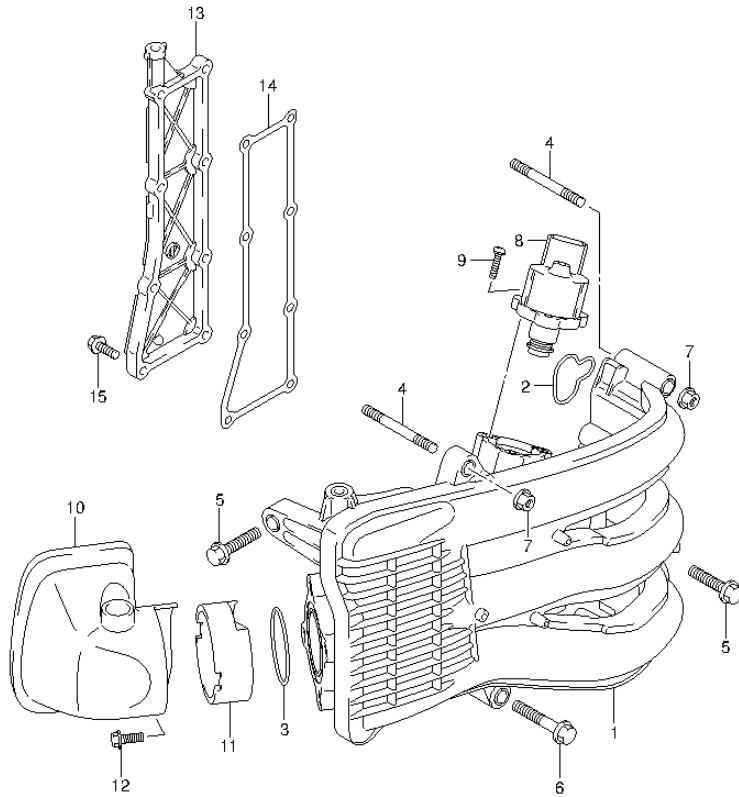


FIG.56 (1-F-2) INTAKE MANIFOLD/SILENCER/EXHAUST COVER (DF60AVT E40)

REF NO.	PART NO.	DESCRIPTION	Q'TY	REMARKS
1	13110-88L00	MANIFOLD, INTAKE	1	
2	13119-88L00	.GASKET, INTAKE MANIFOLD	3	
3	13125-88L00	.GASKET, THROTTLE BODY	1	
4	01421-08607	STUD BOLT	2	
5	01550-08307	BOLT	6	
6	01550-08407	BOLT	1	
7	08316-10087	NUT	2	
8	18137-88L01	VALVE, IAC	1	
9	02112-34167	SCREW	3	
10	13810-88L00	SILENCER	1	
11	13813-88L00	HOLDER, SILENCER	1	
12	01550-06127	BOLT	1	
13	14141-88L00	COVER, EXHAUST	1	
14	14151-88L00	GASKET, EXHAUST COVER	1	
15	01550-06207	BOLT	8	

FIG.57

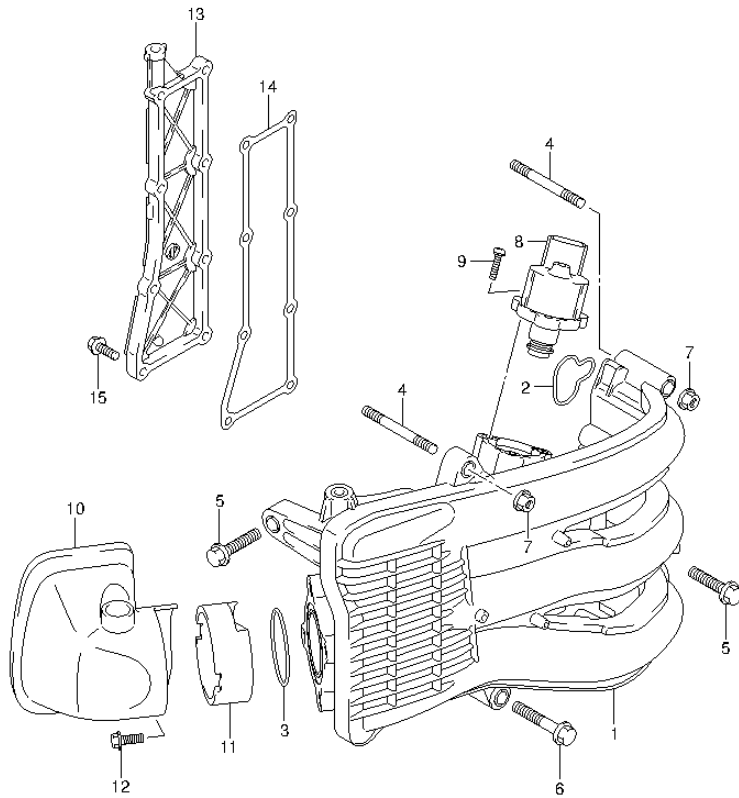


FIG.57 (1-F-3) INTAKE MANIFOLD/SILENCER/EXHAUST COVER (DF60AVTH E0)

REF NO.	PART NO.	DESCRIPTION	Q'TY	REMARKS
1	13110-88L00	MANIFOLD, INTAKE	1	
2	13119-88L00	.GASKET, INTAKE MANIFOLD	3	
3	13125-88L00	.GASKET, THROTTLE BODY	1	
4	01421-08607	STUD BOLT	2	
5	01550-08307	BOLT	6	
6	01550-08407	BOLT	1	
7	08316-10087	NUT	2	
8	18137-88L01	VALVE, IAC	1	
9	02112-34167	SCREW	3	
10	13810-88L00	SILENCER	1	
11	13813-88L00	HOLDER, SILENCER	1	
12	01550-06127	BOLT	1	
13	14141-88L00	COVER, EXHAUST	1	
14	14151-88L00	GASKET, EXHAUST COVER	1	
15	01550-06207	BOLT	8	

FIG.58

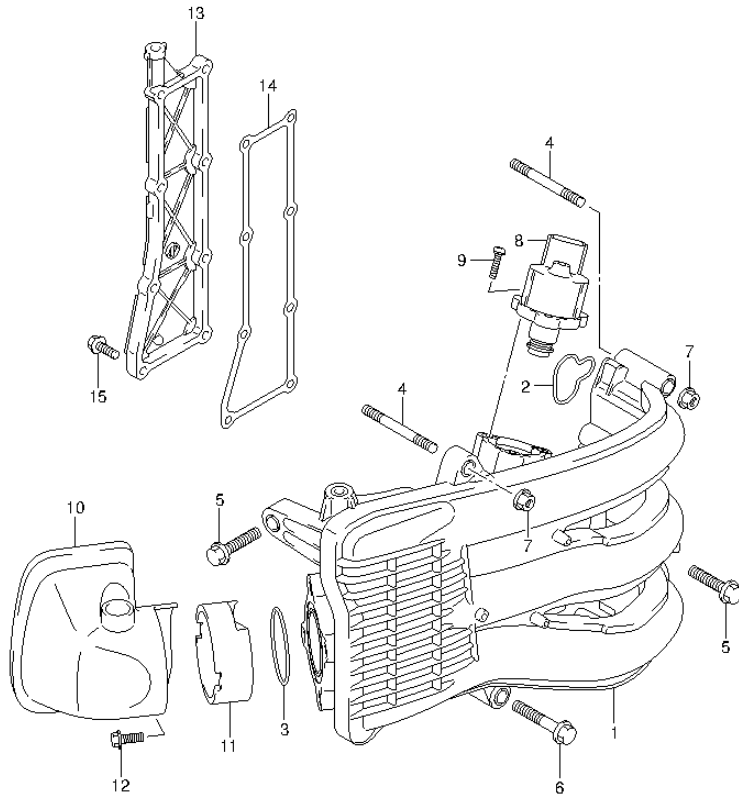


FIG.58 (1-F-4) INTAKE MANIFOLD/SILENCER/EXHAUST COVER (DF60AVTH E4)

REF NO.	PART NO.	DESCRIPTION	Q'TY	REMARKS
1	13110-88L00	MANIFOLD, INTAKE	1	
2	13119-88L00	.GASKET, INTAKE MANIFOLD	3	
3	13125-88L00	.GASKET, THROTTLE BODY	1	
4	01421-08607	STUD BOLT	2	
5	01550-08307	BOLT	6	
6	01550-08407	BOLT	1	
7	08316-10087	NUT	2	
8	18137-88L01	VALVE, IAC	1	
9	02112-34167	SCREW	3	
10	13810-88L00	SILENCER	1	
11	13813-88L00	HOLDER, SILENCER	1	
12	01550-06127	BOLT	1	
13	14141-88L00	COVER, EXHAUST	1	
14	14151-88L00	GASKET, EXHAUST COVER	1	
15	01550-06207	BOLT	8	

FIG.59

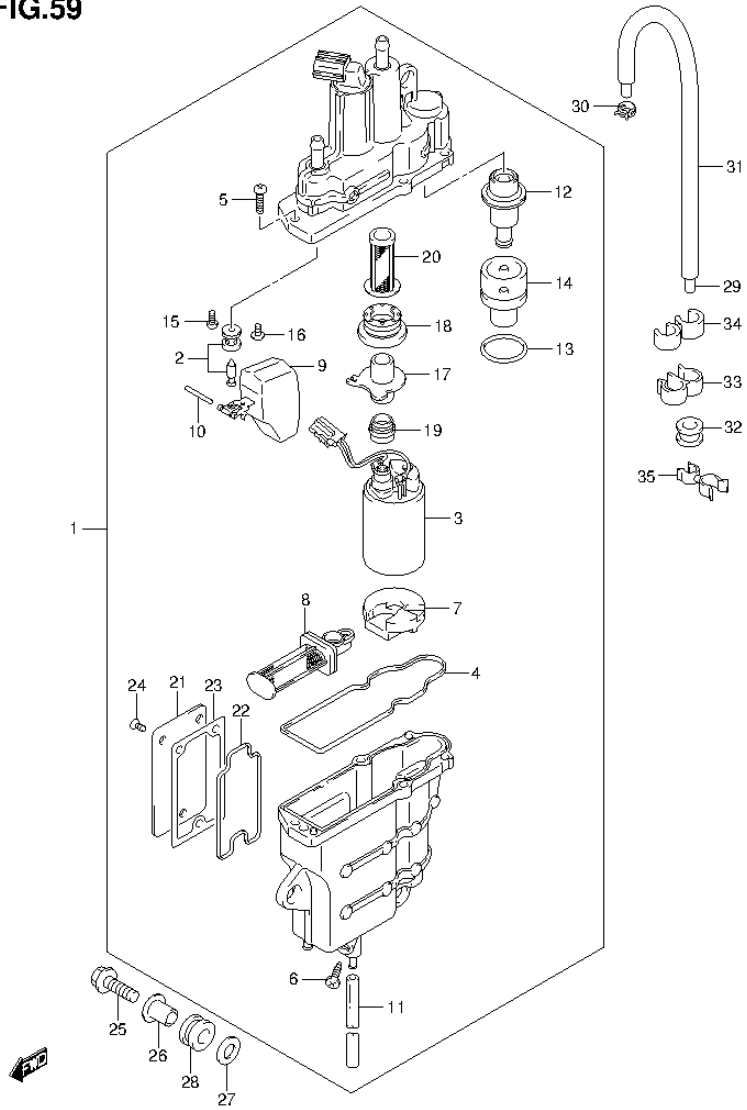


FIG.59 (1-F-5) FUEL VAPOR SEPARATOR (DF40A E01)

REF NO.	PART NO.	DESCRIPTION	Q'TY	REMARKS
1	15600-88L02	SEPARATOR ASSY, FUEL VAPOR	1	
2	13370-88L00	.VALVE ASSY, NEEDLE	1	
3	15200-88L00	.PUMP ASSY, FUEL	1	
4	15626-88L00	.SEAL	1	
5	15628-99E00	.SCREW (L:15)	5	
6	15629-99E10	.SCREW, DRAIN	1	
7	15641-88L00	.SPACER	1	
8	15642-88L00	.FILTER ASSY	1	
9	15650-99E00	.FLOAT	1	
10	15654-88L00	.PIN	1	
11	15683-87J00	.HOSE, DRAIN (L:120)	1	
12	15760-88L00	.REGULATOR ASSY	1	
13	15644-88L00	.O RING	1	
14	15645-88L00	.HOLDER, REGULATOR	1	
15	02112-0408A	.SCREW	1	
16	02142-0408B	.SCREW	1	
17	15643-88L00	.JOINT	1	
18	15641-88L20	.BUSH	1	
19	15641-88L40	.BUSH	1	
20	15642-88L10	.FILTER	1	
21	15612-88L00	.COVER	1	
22	15613-88L00	.O RING	1	
23	15613-92J00	.GASKET	1	
24	15614-88L00	.SCREW	3	
25	01550-06307	BOLT	3	
26	09169-06075	WASHER	3	
27	09160-06084	WASHER (6.5X18X1.6)	3	
28	09320-09039	CUSHION	3	
29	09352-50823-00B	HOSE (5X8.2X2000)	1	L:2000->770
30	09401-08412	CLIP	1	
31	18498-88L10	PROTECTOR, EVAP HOSE (L:730)	1	
32	09320-08076	GROMMET	1	
33	09408-00043	CLAMP	1	
34	09408-00121	CLAMP	1	

FIG.59

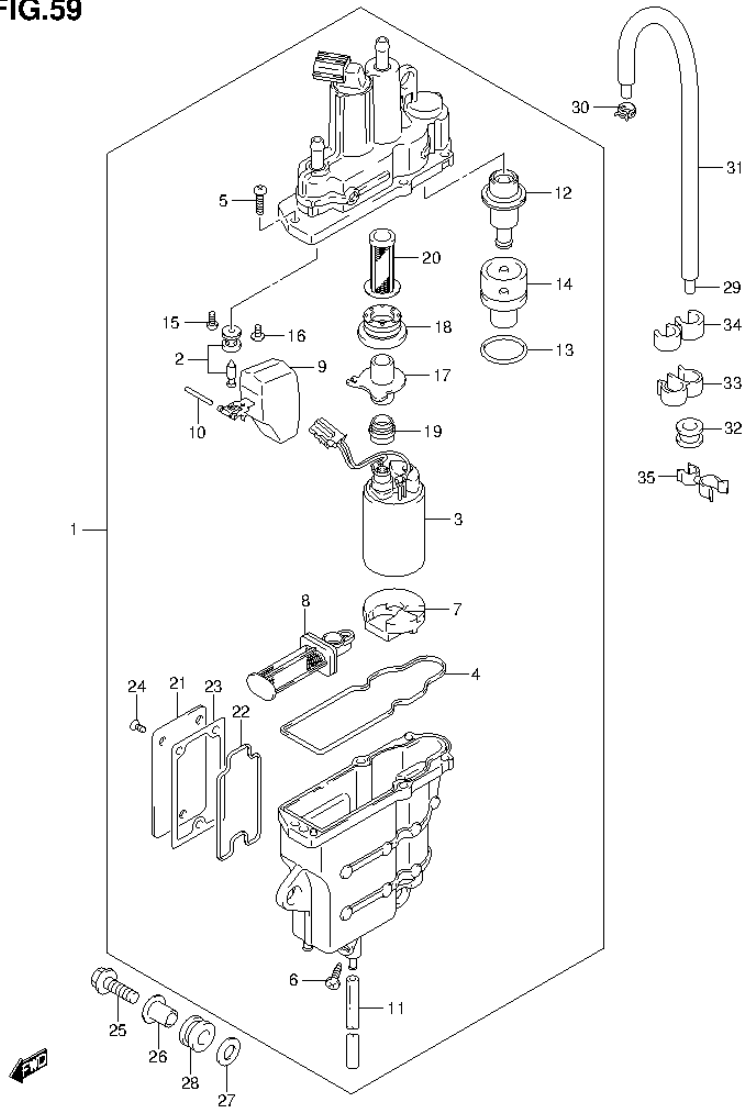


FIG.59 (1-F-6) FUEL VAPOR SEPARATOR (DF40A E01)

REF NO.	PART NO.	DESCRIPTION	Q'TY	REMARKS
35	09408-00145	CLIP	1	

FIG.60

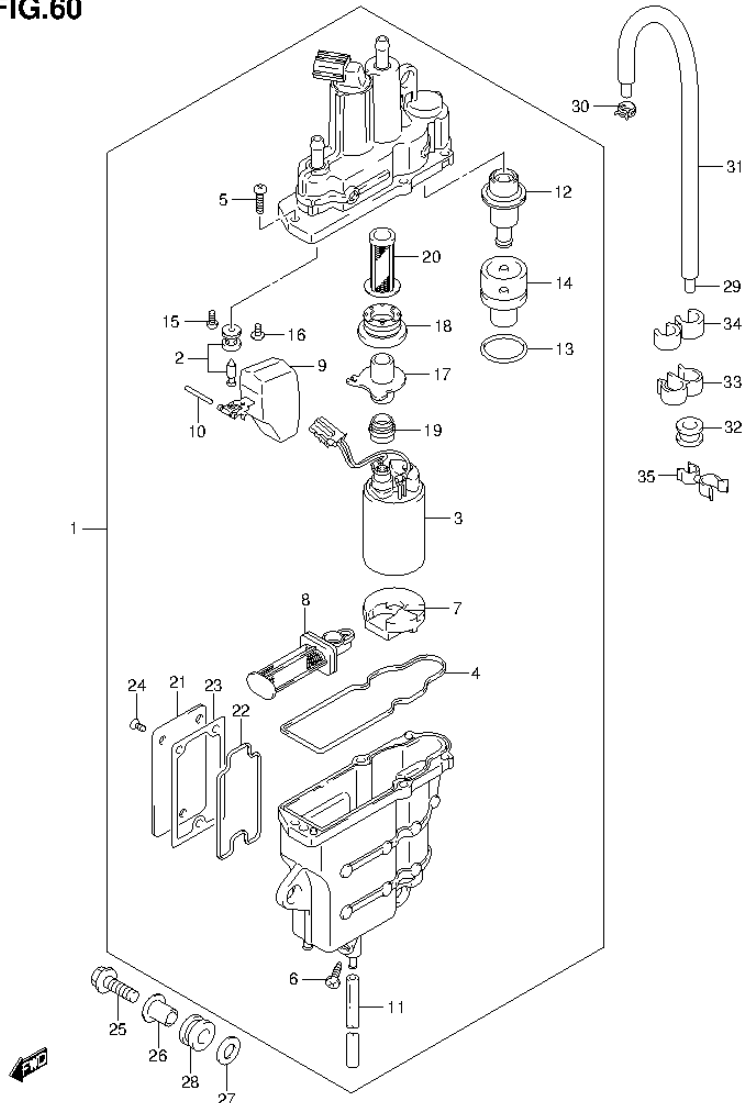


FIG.60 (1-F-7) FUEL VAPOR SEPARATOR (DF40AQH E01)

REF NO.	PART NO.	DESCRIPTION	Q'TY	REMARKS
1	15600-88L02	SEPARATOR ASSY, FUEL VAPOR	1	
2	13370-88L00	.VALVE ASSY, NEEDLE	1	
3	15200-88L00	.PUMP ASSY, FUEL	1	
4	15626-88L00	.SEAL	1	
5	15628-99E00	.SCREW (L:15)	5	
6	15629-99E10	.SCREW, DRAIN	1	
7	15641-88L00	.SPACER	1	
8	15642-88L00	.FILTER ASSY	1	
9	15650-99E00	.FLOAT	1	
10	15654-88L00	.PIN	1	
11	15683-87J00	.HOSE, DRAIN (L:120)	1	
12	15760-88L00	.REGULATOR ASSY	1	
13	15644-88L00	.O RING	1	
14	15645-88L00	.HOLDER, REGULATOR	1	
15	02112-0408A	.SCREW	1	
16	02142-0408B	.SCREW	1	
17	15643-88L00	.JOINT	1	
18	15641-88L20	.BUSH	1	
19	15641-88L40	.BUSH	1	
20	15642-88L10	.FILTER	1	
21	15612-88L00	.COVER	1	
22	15613-88L00	.O RING	1	
23	15613-92J00	.GASKET	1	
24	15614-88L00	.SCREW	3	
25	01550-06307	BOLT	3	
26	09169-06075	WASHER	3	
27	09160-06084	WASHER (6.5X18X1.6)	3	
28	09320-09039	CUSHION	3	
29	09352-50823-00B	HOSE (5X8.2X2000)	1	L:2000->770
30	09401-08412	CLIP	1	
31	18498-88L10	PROTECTOR, EVAP HOSE (L:730)	1	
32	09320-08076	GROMMET	1	
33	09408-00043	CLAMP	1	
34	09408-00121	CLAMP	1	

FIG.60

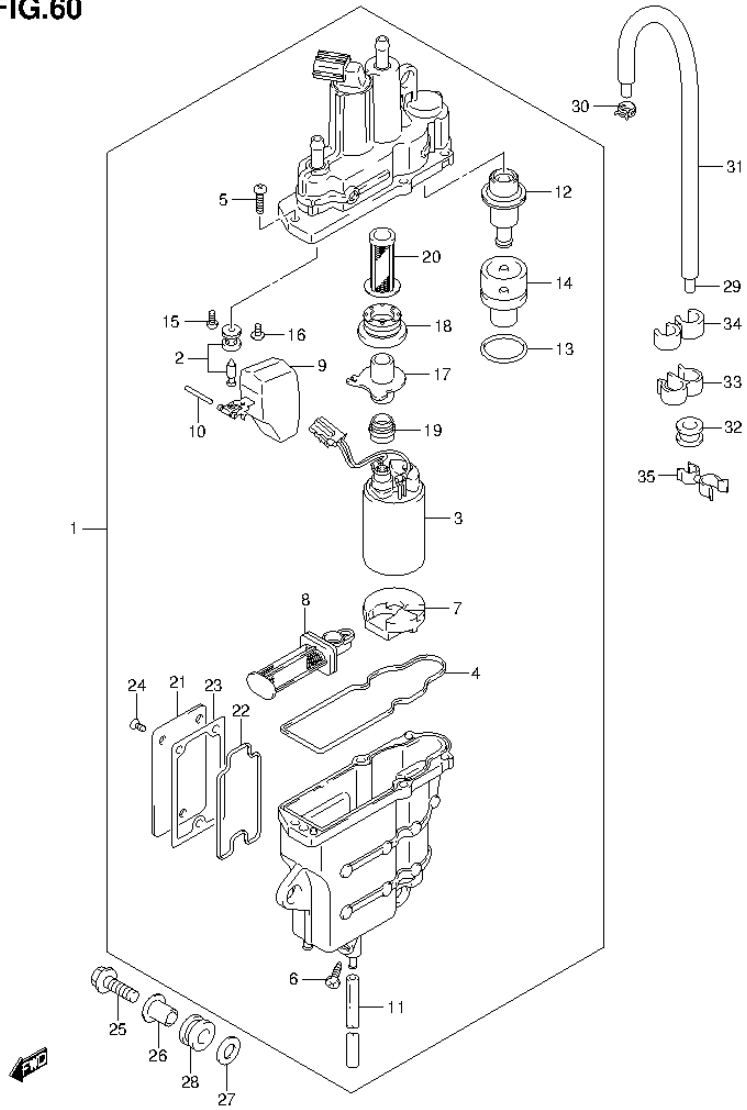


FIG.60 (1-F-8) FUEL VAPOR SEPARATOR (DF40AQH E01)

REF NO.	PART NO.	DESCRIPTION	Q'TY	REMARKS
35	09408-00145	CLIP	1	

FIG.61

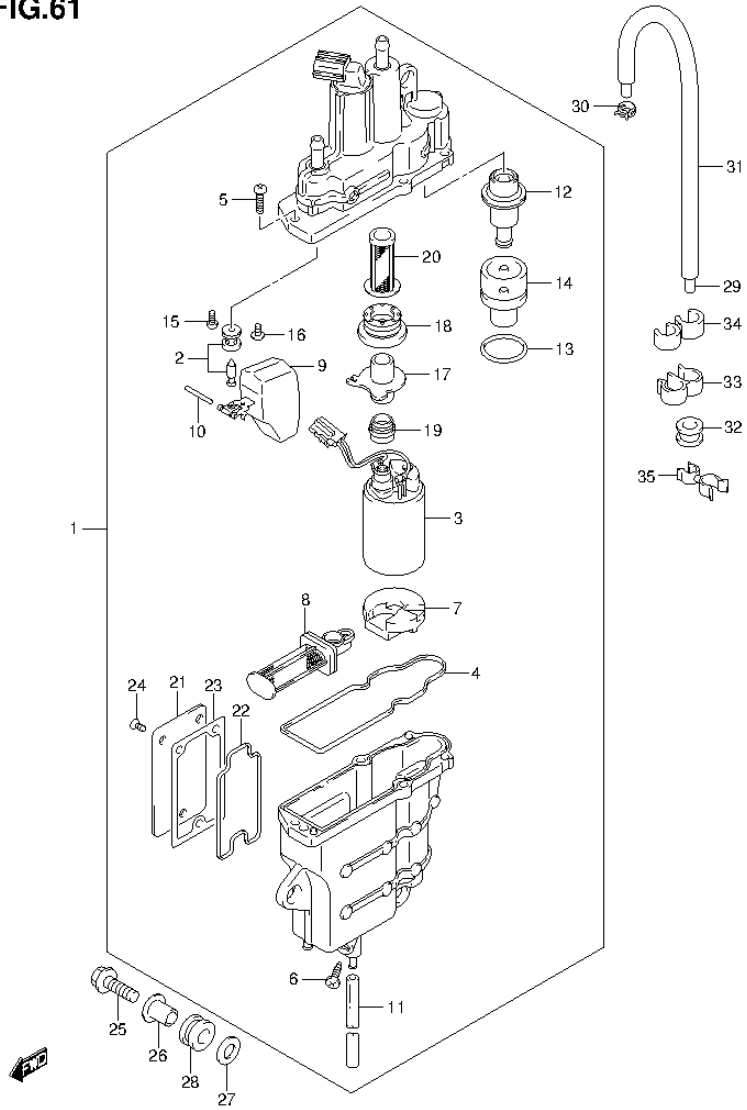


FIG.61 (1-F-9) FUEL VAPOR SEPARATOR (DF40ATH E01)

REF NO.	PART NO.	DESCRIPTION	Q'TY	REMARKS
1	15600-88L02	SEPARATOR ASSY, FUEL VAPOR	1	
2	13370-88L00	.VALVE ASSY, NEEDLE	1	
3	15200-88L00	.PUMP ASSY, FUEL	1	
4	15626-88L00	.SEAL	1	
5	15628-99E00	.SCREW (L:15)	5	
6	15629-99E10	.SCREW, DRAIN	1	
7	15641-88L00	.SPACER	1	
8	15642-88L00	.FILTER ASSY	1	
9	15650-99E00	.FLOAT	1	
10	15654-88L00	.PIN	1	
11	15683-87J00	.HOSE, DRAIN (L:120)	1	
12	15760-88L00	.REGULATOR ASSY	1	
13	15644-88L00	.O RING	1	
14	15645-88L00	.HOLDER, REGULATOR	1	
15	02112-0408A	.SCREW	1	
16	02142-0408B	.SCREW	1	
17	15643-88L00	.JOINT	1	
18	15641-88L20	.BUSH	1	
19	15641-88L40	.BUSH	1	
20	15642-88L10	.FILTER	1	
21	15612-88L00	.COVER	1	
22	15613-88L00	.O RING	1	
23	15613-92J00	.GASKET	1	
24	15614-88L00	.SCREW	3	
25	01550-06307	BOLT	3	
26	09169-06075	WASHER	3	
27	09160-06084	WASHER (6.5X18X1.6)	3	
28	09320-09039	CUSHION	3	
29	09352-50823-00B	HOSE (5X8.2X2000)	1	L:2000->770
30	09401-08412	CLIP	1	
31	18498-88L10	PROTECTOR, EVAP HOSE (L:730)	1	
32	09320-08076	GROMMET	1	
33	09408-00043	CLAMP	1	
34	09408-00121	CLAMP	1	

FIG.61

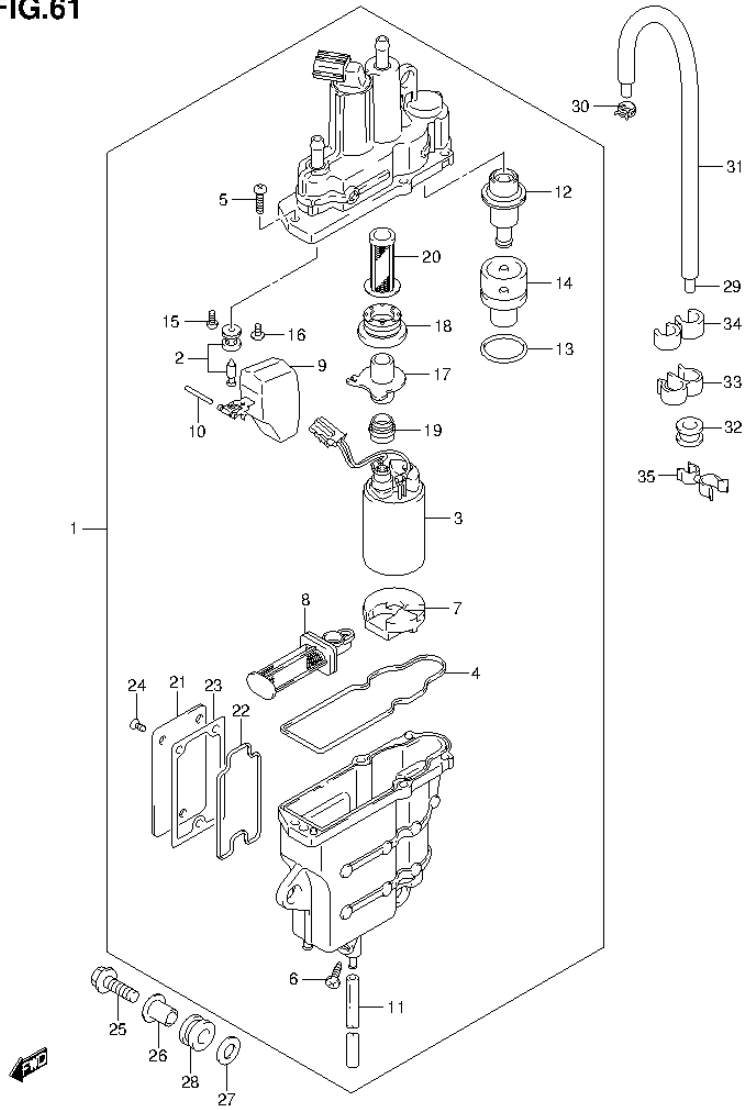


FIG.61 (1-F-10) FUEL VAPOR SEPARATOR (DF40ATH E01)

REF NO.	PART NO.	DESCRIPTION	Q'TY	REMARKS
35	09408-00145	CLIP	1	

FIG.62

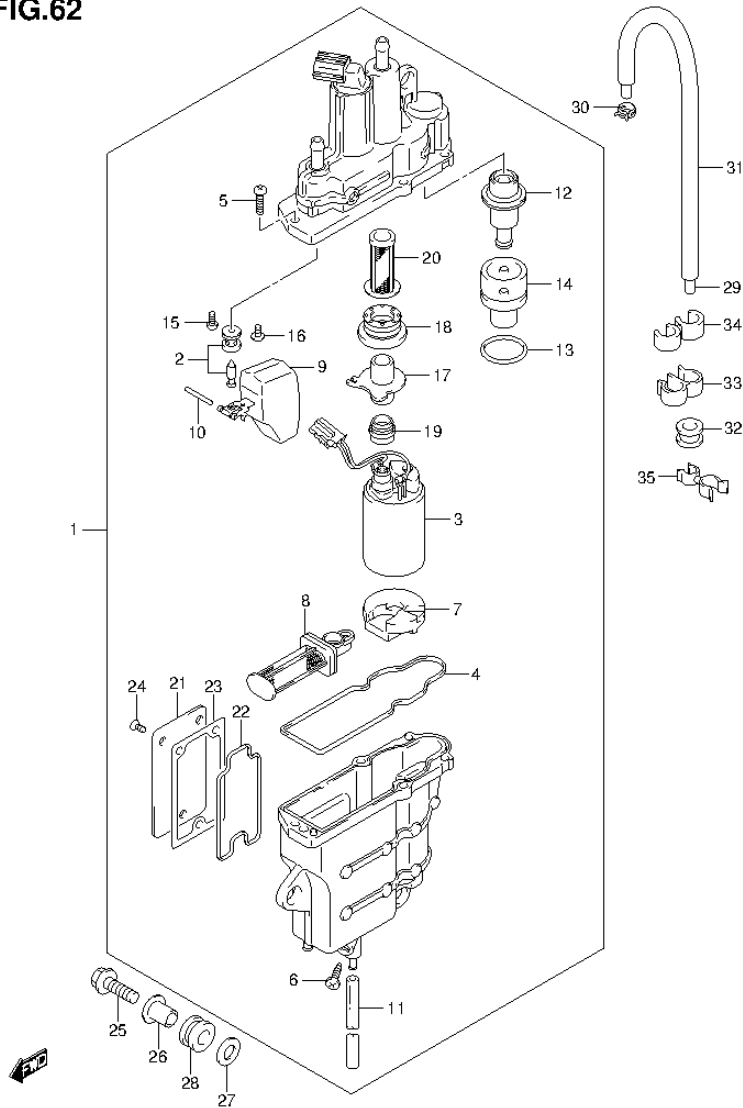


FIG.62 (1-F-11) FUEL VAPOR SEPARATOR (DF40AST E34)

REF NO.	PART NO.	DESCRIPTION	Q'TY	REMARKS
1	15600-88L02	SEPARATOR ASSY, FUEL VAPOR	1	
2	13370-88L00	.VALVE ASSY, NEEDLE	1	
3	15200-88L00	.PUMP ASSY, FUEL	1	
4	15626-88L00	.SEAL	1	
5	15628-99E00	.SCREW (L:15)	5	
6	15629-99E10	.SCREW, DRAIN	1	
7	15641-88L00	.SPACER	1	
8	15642-88L00	.FILTER ASSY	1	
9	15650-99E00	.FLOAT	1	
10	15654-88L00	.PIN	1	
11	15683-87J00	.HOSE, DRAIN (L:120)	1	
12	15760-88L00	.REGULATOR ASSY	1	
13	15644-88L00	.O RING	1	
14	15645-88L00	.HOLDER, REGULATOR	1	
15	02112-0408A	.SCREW	1	
16	02142-0408B	.SCREW	1	
17	15643-88L00	.JOINT	1	
18	15641-88L20	.BUSH	1	
19	15641-88L40	.BUSH	1	
20	15642-88L10	.FILTER	1	
21	15612-88L00	.COVER	1	
22	15613-88L00	.O RING	1	
23	15613-92J00	.GASKET	1	
24	15614-88L00	.SCREW	3	
25	01550-06307	BOLT	3	
26	09169-06075	WASHER	3	
27	09160-06084	WASHER (6.5X18X1.6)	3	
28	09320-09039	CUSHION	3	
29	09352-50823-00B	HOSE (5X8.2X2000)	1	L:2000->770
30	09401-08412	CLIP	1	
31	18498-88L10	PROTECTOR, EVAP HOSE (L:730)	1	
32	09320-08076	GROMMET	1	
33	09408-00043	CLAMP	1	
34	09408-00121	CLAMP	1	

FIG.62

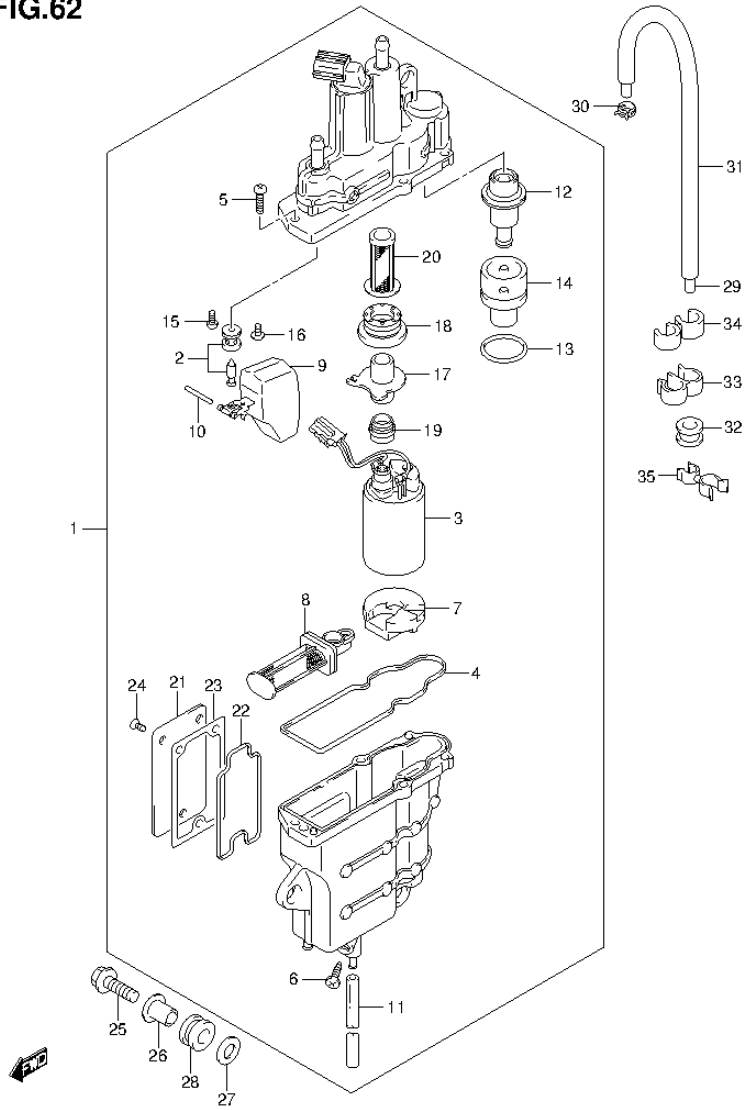


FIG.62 (1-F-12) FUEL VAPOR SEPARATOR (DF40AST E34)

REF NO.	PART NO.	DESCRIPTION	Q'TY	REMARKS
35	09408-00145	CLIP	1	

FIG.63

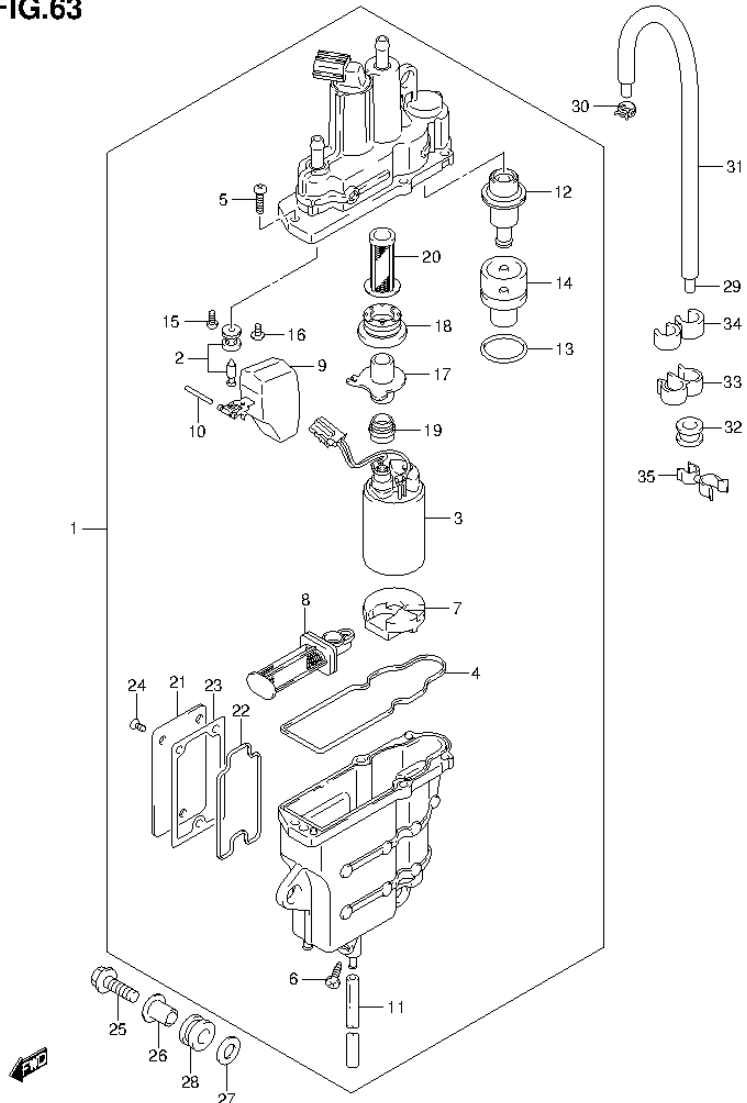


FIG.63 (1-F-13) FUEL VAPOR SEPARATOR (DF50A E01)

REF NO.	PART NO.	DESCRIPTION	Q'TY	REMARKS
1	15600-88L02	SEPARATOR ASSY, FUEL VAPOR	1	
2	13370-88L00	.VALVE ASSY, NEEDLE	1	
3	15200-88L00	.PUMP ASSY, FUEL	1	
4	15626-88L00	.SEAL	1	
5	15628-99E00	.SCREW (L:15)	5	
6	15629-99E10	.SCREW, DRAIN	1	
7	15641-88L00	.SPACER	1	
8	15642-88L00	.FILTER ASSY	1	
9	15650-99E00	.FLOAT	1	
10	15654-88L00	.PIN	1	
11	15683-87J00	.HOSE, DRAIN (L:120)	1	
12	15760-88L00	.REGULATOR ASSY	1	
13	15644-88L00	.O RING	1	
14	15645-88L00	.HOLDER, REGULATOR	1	
15	02112-0408A	.SCREW	1	
16	02142-0408B	.SCREW	1	
17	15643-88L00	.JOINT	1	
18	15641-88L20	.BUSH	1	
19	15641-88L40	.BUSH	1	
20	15642-88L10	.FILTER	1	
21	15612-88L00	.COVER	1	
22	15613-88L00	.O RING	1	
23	15613-92J00	.GASKET	1	
24	15614-88L00	.SCREW	3	
25	01550-06307	BOLT	3	
26	09169-06075	WASHER	3	
27	09160-06084	WASHER (6.5X18X1.6)	3	
28	09320-09039	CUSHION	3	
29	09352-50823-00B	HOSE (5X8.2X2000)	1	L:2000->770
30	09401-08412	CLIP	1	
31	18498-88L10	PROTECTOR, EVAP HOSE (L:730)	1	
32	09320-08076	GROMMET	1	
33	09408-00043	CLAMP	1	
34	09408-00121	CLAMP	1	

FIG.63

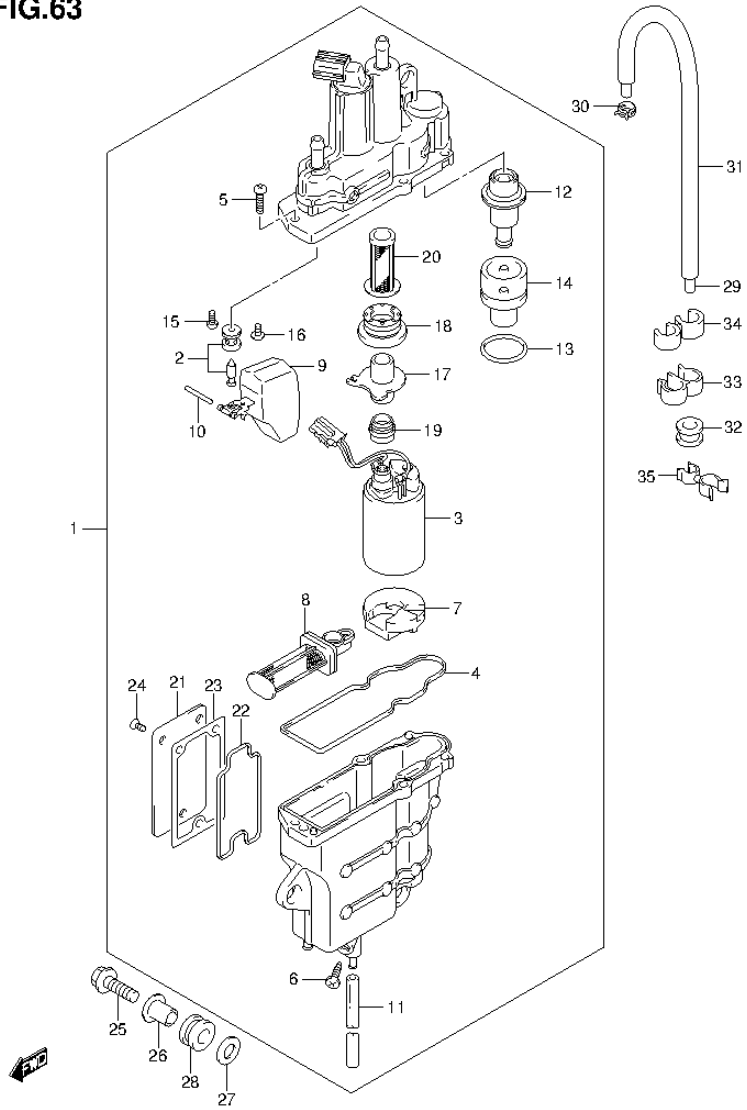


FIG.63 (1-F-14) FUEL VAPOR SEPARATOR (DF50A E01)

REF NO.	PART NO.	DESCRIPTION	Q'TY	REMARKS
35	09408-00145	CLIP	1	

FIG.64

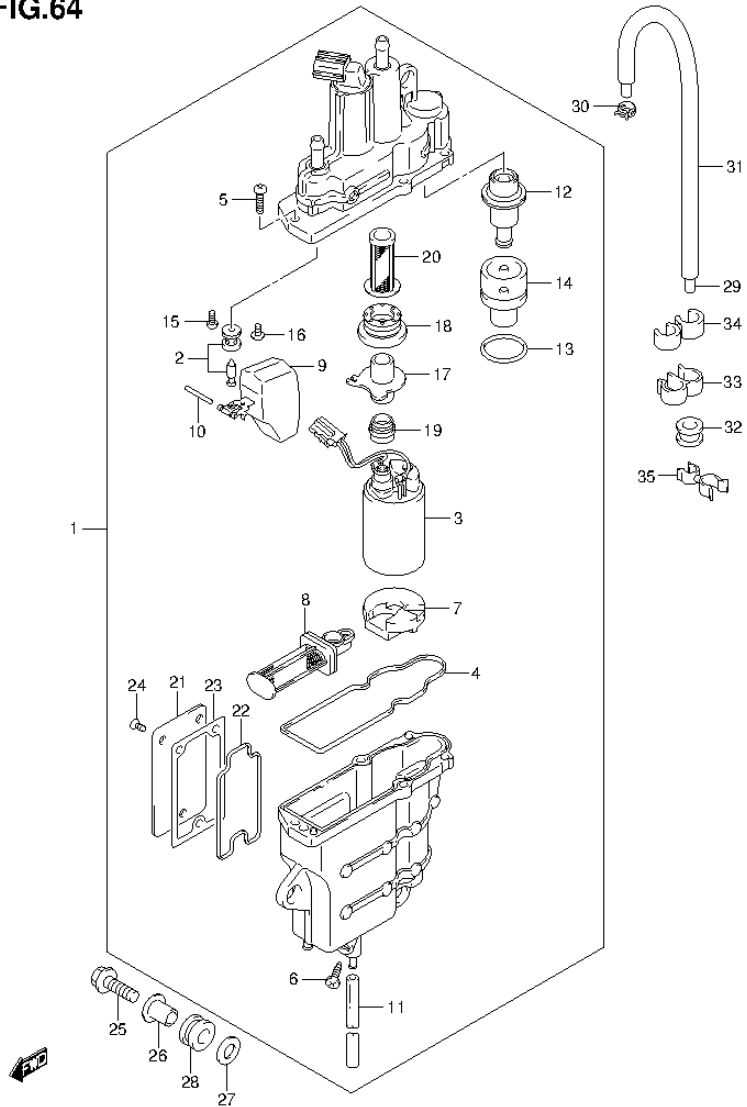


FIG.64 (1-F-15) FUEL VAPOR SEPARATOR (DF50ATH E01)

REF NO.	PART NO.	DESCRIPTION	Q'TY	REMARKS
1	15600-88L02	SEPARATOR ASSY, FUEL VAPOR	1	
2	13370-88L00	.VALVE ASSY, NEEDLE	1	
3	15200-88L00	.PUMP ASSY, FUEL	1	
4	15626-88L00	.SEAL	1	
5	15628-99E00	.SCREW (L:15)	5	
6	15629-99E10	.SCREW, DRAIN	1	
7	15641-88L00	.SPACER	1	
8	15642-88L00	.FILTER ASSY	1	
9	15650-99E00	.FLOAT	1	
10	15654-88L00	.PIN	1	
11	15683-87J00	.HOSE, DRAIN (L:120)	1	
12	15760-88L00	.REGULATOR ASSY	1	
13	15644-88L00	.O RING	1	
14	15645-88L00	.HOLDER, REGULATOR	1	
15	02112-0408A	.SCREW	1	
16	02142-0408B	.SCREW	1	
17	15643-88L00	.JOINT	1	
18	15641-88L20	.BUSH	1	
19	15641-88L40	.BUSH	1	
20	15642-88L10	.FILTER	1	
21	15612-88L00	.COVER	1	
22	15613-88L00	.O RING	1	
23	15613-92J00	.GASKET	1	
24	15614-88L00	.SCREW	3	
25	01550-06307	BOLT	3	
26	09169-06075	WASHER	3	
27	09160-06084	WASHER (6.5X18X1.6)	3	
28	09320-09039	CUSHION	3	
29	09352-50823-00B	HOSE (5X8.2X2000)	1	L:2000->770
30	09401-08412	CLIP	1	
31	18498-88L10	PROTECTOR, EVAP HOSE (L:730)	1	
32	09320-08076	GROMMET	1	
33	09408-00043	CLAMP	1	
34	09408-00121	CLAMP	1	

FIG.64

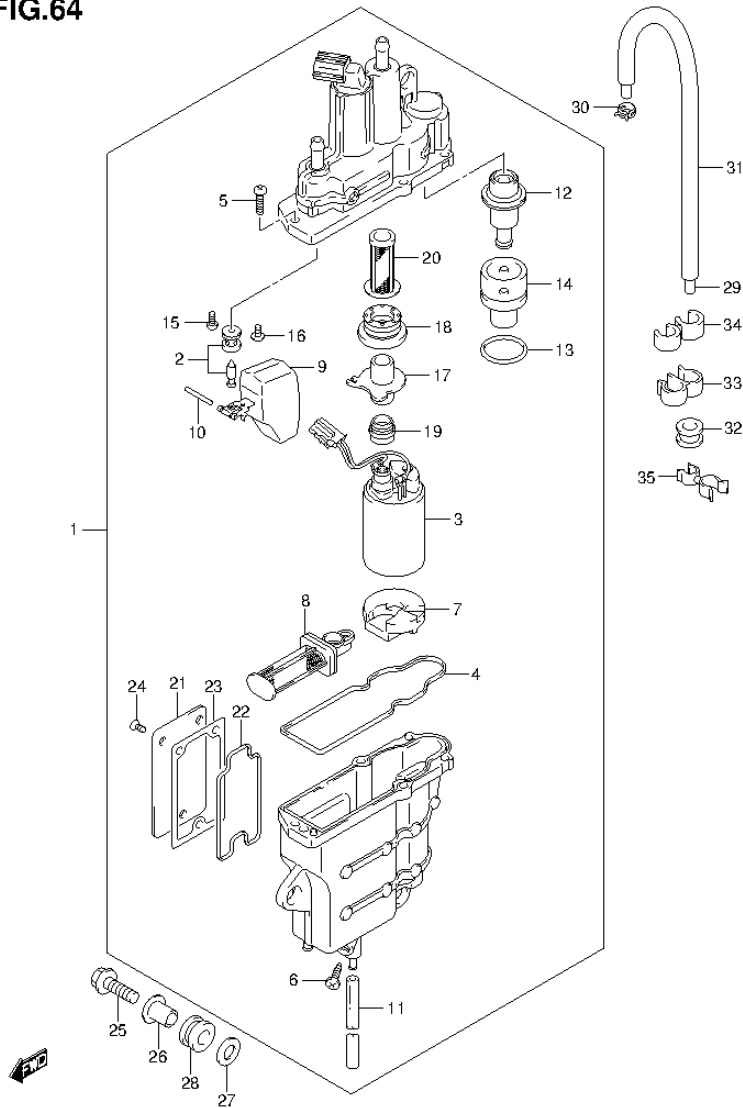


FIG.64 (1-G-2) FUEL VAPOR SEPARATOR (DF50ATH E01)

REF NO.	PART NO.	DESCRIPTION	Q'TY	REMARKS
35	09408-00145	CLIP	1	

FIG.65

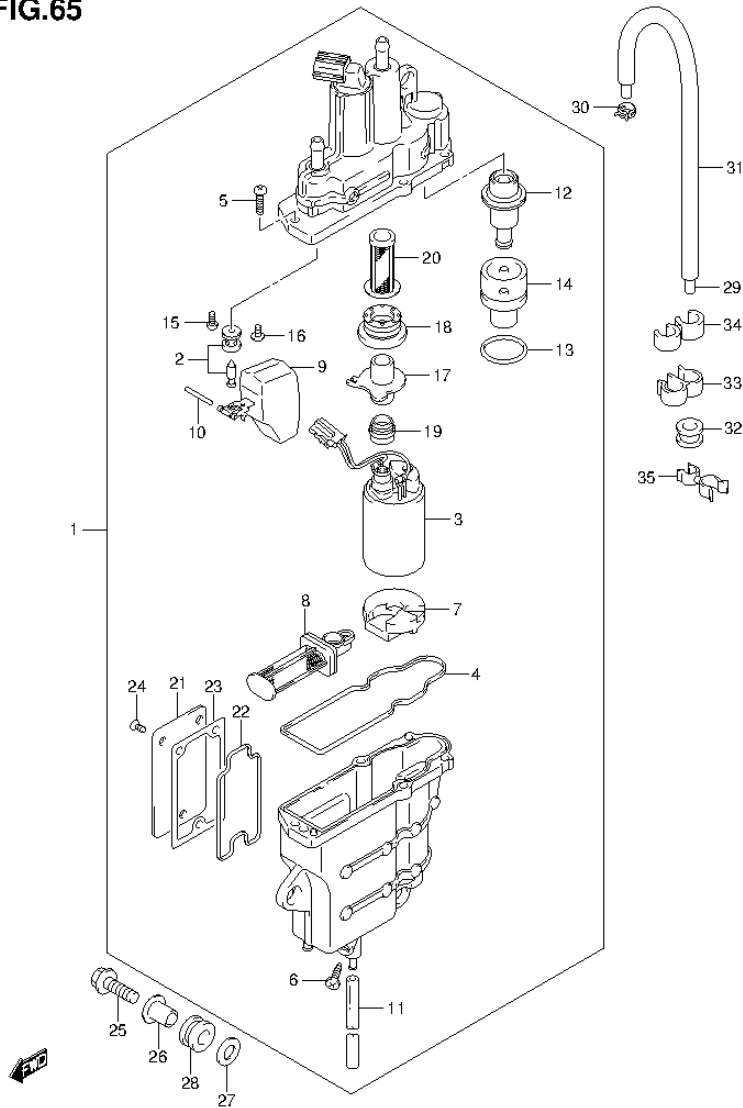


FIG.65 (1-G-3) FUEL VAPOR SEPARATOR (DF60A E01)

REF NO.	PART NO.	DESCRIPTION	Q'TY	REMARKS
1	15600-88L02	SEPARATOR ASSY, FUEL VAPOR	1	
2	13370-88L00	.VALVE ASSY, NEEDLE	1	
3	15200-88L00	.PUMP ASSY, FUEL	1	
4	15626-88L00	.SEAL	1	
5	15628-99E00	.SCREW (L:15)	5	
6	15629-99E10	.SCREW, DRAIN	1	
7	15641-88L00	.SPACER	1	
8	15642-88L00	.FILTER ASSY	1	
9	15650-99E00	.FLOAT	1	
10	15654-88L00	.PIN	1	
11	15683-87J00	.HOSE, DRAIN (L:120)	1	
12	15760-88L00	.REGULATOR ASSY	1	
13	15644-88L00	.O RING	1	
14	15645-88L00	.HOLDER, REGULATOR	1	
15	02112-0408A	.SCREW	1	
16	02142-0408B	.SCREW	1	
17	15643-88L00	.JOINT	1	
18	15641-88L20	.BUSH	1	
19	15641-88L40	.BUSH	1	
20	15642-88L10	.FILTER	1	
21	15612-88L00	.COVER	1	
22	15613-88L00	.O RING	1	
23	15613-92J00	.GASKET	1	
24	15614-88L00	.SCREW	3	
25	01550-06307	BOLT	3	
26	09169-06075	WASHER	3	
27	09160-06084	WASHER (6.5X18X1.6)	3	
28	09320-09039	CUSHION	3	
29	09352-50823-00B	HOSE (5X8.2X2000)	1	L:2000->770
30	09401-08412	CLIP	1	
31	18498-88L10	PROTECTOR, EVAP HOSE (L:730)	1	
32	09320-08076	GROMMET	1	
33	09408-00043	CLAMP	1	
34	09408-00121	CLAMP	1	

FIG.65

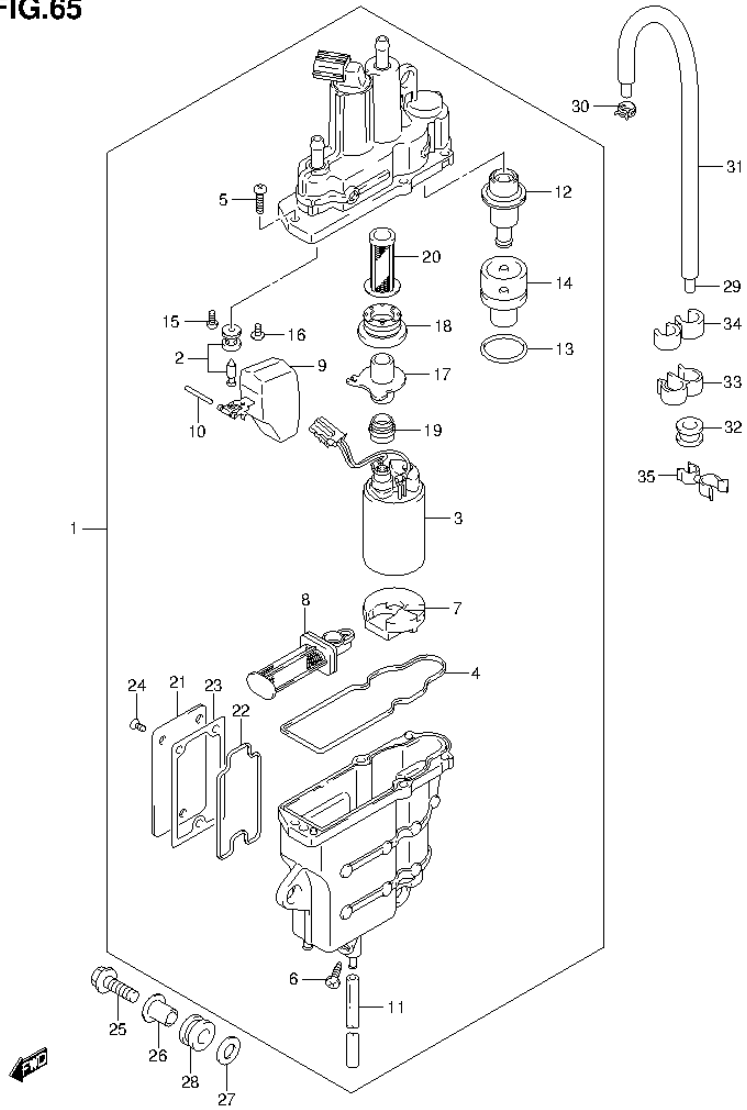


FIG.65 (1-G-4) FUEL VAPOR SEPARATOR (DF60A E01)

REF NO.	PART NO.	DESCRIPTION	Q'TY	REMARKS
35	09408-00145	CLIP	1	

FIG.66

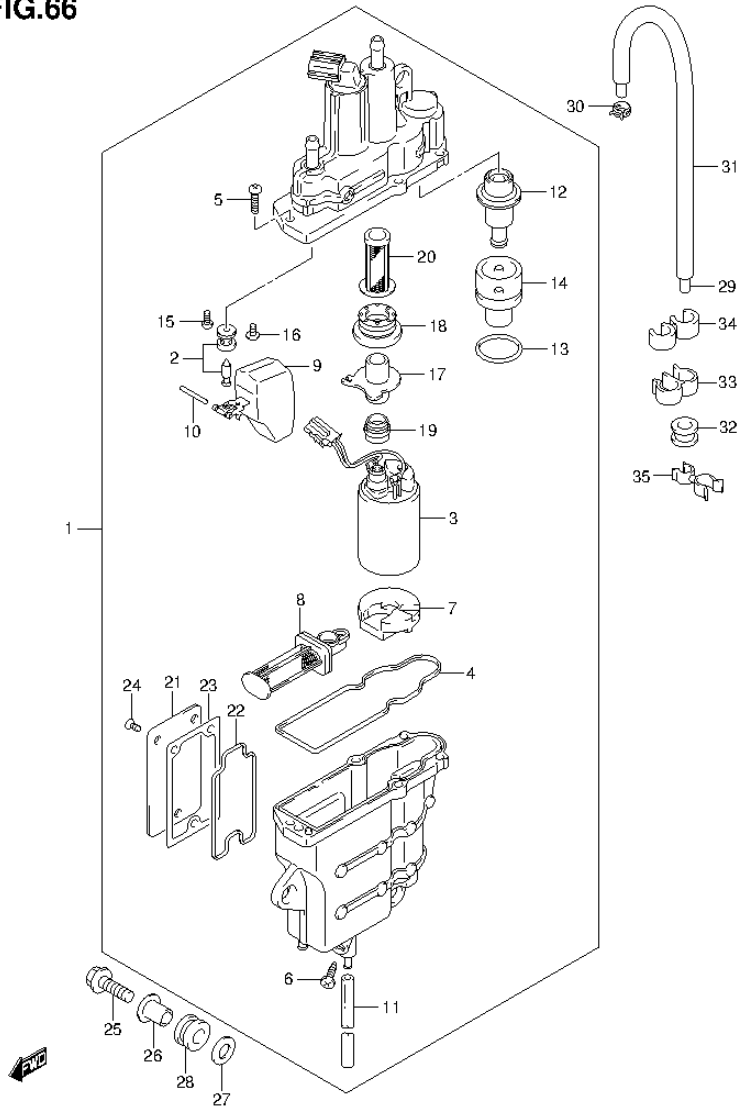


FIG.66 (1-G-5) FUEL VAPOR SEPARATOR (DF60A E40)

REF NO.	PART NO.	DESCRIPTION	Q'TY	REMARKS
1	15600-88L12	SEPARATOR ASSY, FUEL VAPOR	1	
2	13370-88L10	.VALVE ASSY, NEEDLE	1	
3	15200-88L10	.PUMP ASSY, FUEL	1	
4	15626-88L10	.SEAL	1	
5	15628-99E00	.SCREW (L:15)	5	
6	15629-99E10	.SCREW, DRAIN	1	
7	15641-88L10	.SPACER	1	
8	15642-88L00	.FILTER ASSY	1	
9	15650-99E00	.FLOAT	1	
10	15654-88L00	.PIN	1	
11	15683-87J00	.HOSE, DRAIN (L:120)	1	
12	15760-88L00	.REGULATOR ASSY	1	
13	15644-88L10	.O RING	1	
14	15645-88L00	.HOLDER, REGULATOR	1	
15	13614-89J00	.SCREW	1	
16	13614-93J00	.SCREW	1	
17	15643-88L00	.JOINT	1	
18	15641-88L30	.BUSH	1	
19	15641-88L50	.BUSH	1	
20	15642-88L10	.FILTER	1	
21	15612-88L00	.COVER	1	
22	15613-88L00	.O RING	1	
23	15613-92J00	.GASKET	1	
24	15614-88L00	.SCREW	3	
25	01550-06307	BOLT	3	
26	09169-06075	WASHER	3	
27	09160-06084	WASHER (6.5X18X1.6)	3	
28	09320-09039	CUSHION	3	
29	09352-50823-00B	HOSE (5X8.2X2000)	1	L:2000->770
30	09401-08412	CLIP	1	
31	18498-88L10	PROTECTOR, EVAP HOSE (L:730)	1	
32	09320-08076	GROMMET	1	
33	09408-00043	CLAMP	1	
34	09408-00121	CLAMP	1	

FIG.66

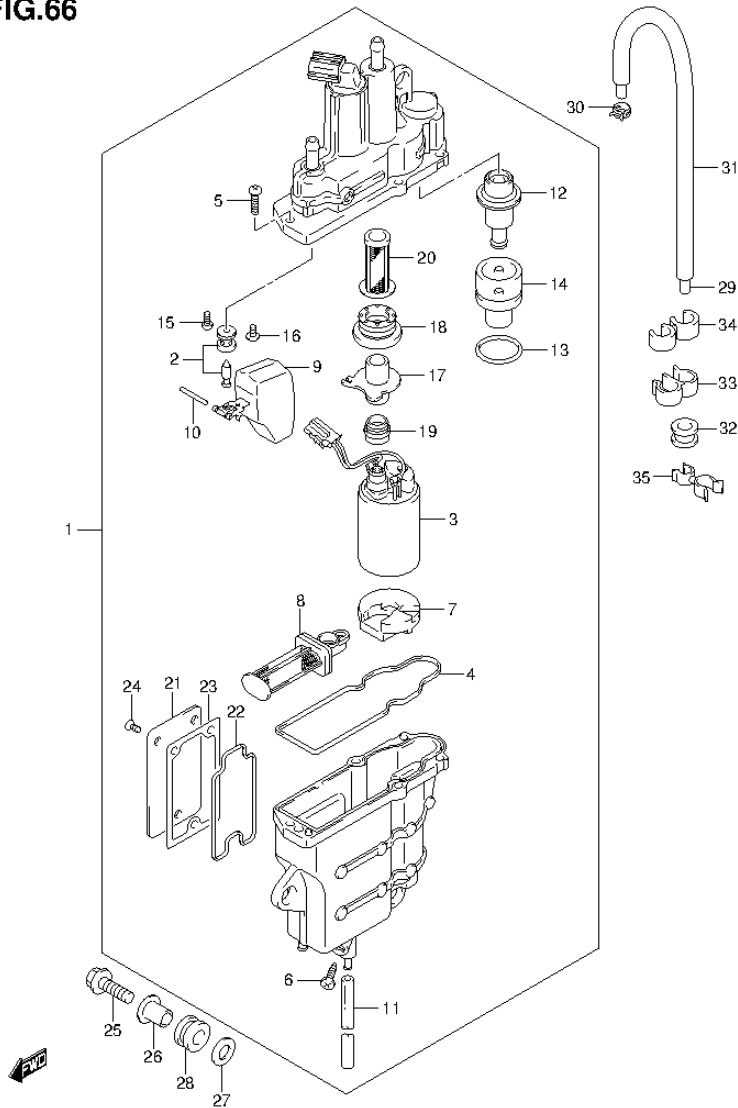


FIG.66 (1-G-6) FUEL VAPOR SEPARATOR (DF60A E40)

REF NO.	PART NO.	DESCRIPTION	Q'TY	REMARKS
35	09408-00145	CLIP	1	

FIG.67

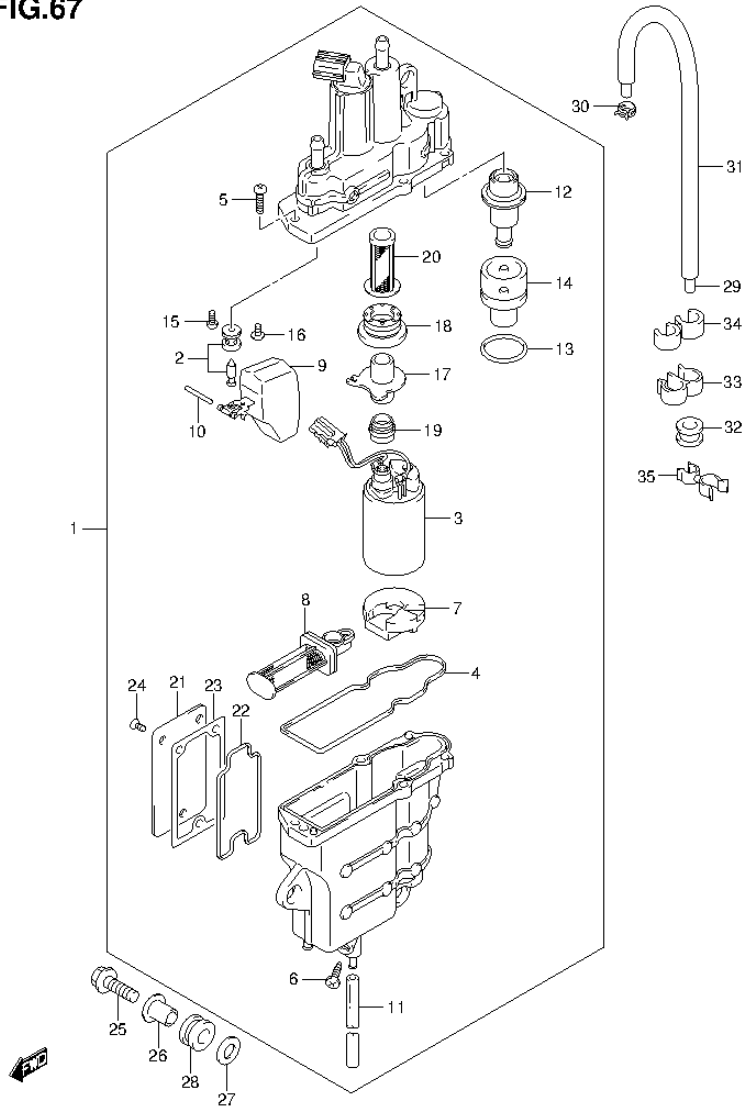


FIG.67 (1-G-7) FUEL VAPOR SEPARATOR (DF60AQH E01)

REF NO.	PART NO.	DESCRIPTION	Q'TY	REMARKS
1	15600-88L02	SEPARATOR ASSY, FUEL VAPOR	1	
2	13370-88L00	.VALVE ASSY, NEEDLE	1	
3	15200-88L00	.PUMP ASSY, FUEL	1	
4	15626-88L00	.SEAL	1	
5	15628-99E00	.SCREW (L:15)	5	
6	15629-99E10	.SCREW, DRAIN	1	
7	15641-88L00	.SPACER	1	
8	15642-88L00	.FILTER ASSY	1	
9	15650-99E00	.FLOAT	1	
10	15654-88L00	.PIN	1	
11	15683-87J00	.HOSE, DRAIN (L:120)	1	
12	15760-88L00	.REGULATOR ASSY	1	
13	15644-88L00	.O RING	1	
14	15645-88L00	.HOLDER, REGULATOR	1	
15	02112-0408A	.SCREW	1	
16	02142-0408B	.SCREW	1	
17	15643-88L00	.JOINT	1	
18	15641-88L20	.BUSH	1	
19	15641-88L40	.BUSH	1	
20	15642-88L10	.FILTER	1	
21	15612-88L00	.COVER	1	
22	15613-88L00	.O RING	1	
23	15613-92J00	.GASKET	1	
24	15614-88L00	.SCREW	3	
25	01550-06307	BOLT	3	
26	09169-06075	WASHER	3	
27	09160-06084	WASHER (6.5X18X1.6)	3	
28	09320-09039	CUSHION	3	
29	09352-50823-00B	HOSE (5X8.2X2000)	1	L:2000->770
30	09401-08412	CLIP	1	
31	18498-88L10	PROTECTOR, EVAP HOSE (L:730)	1	
32	09320-08076	GROMMET	1	
33	09408-00043	CLAMP	1	
34	09408-00121	CLAMP	1	

FIG.67

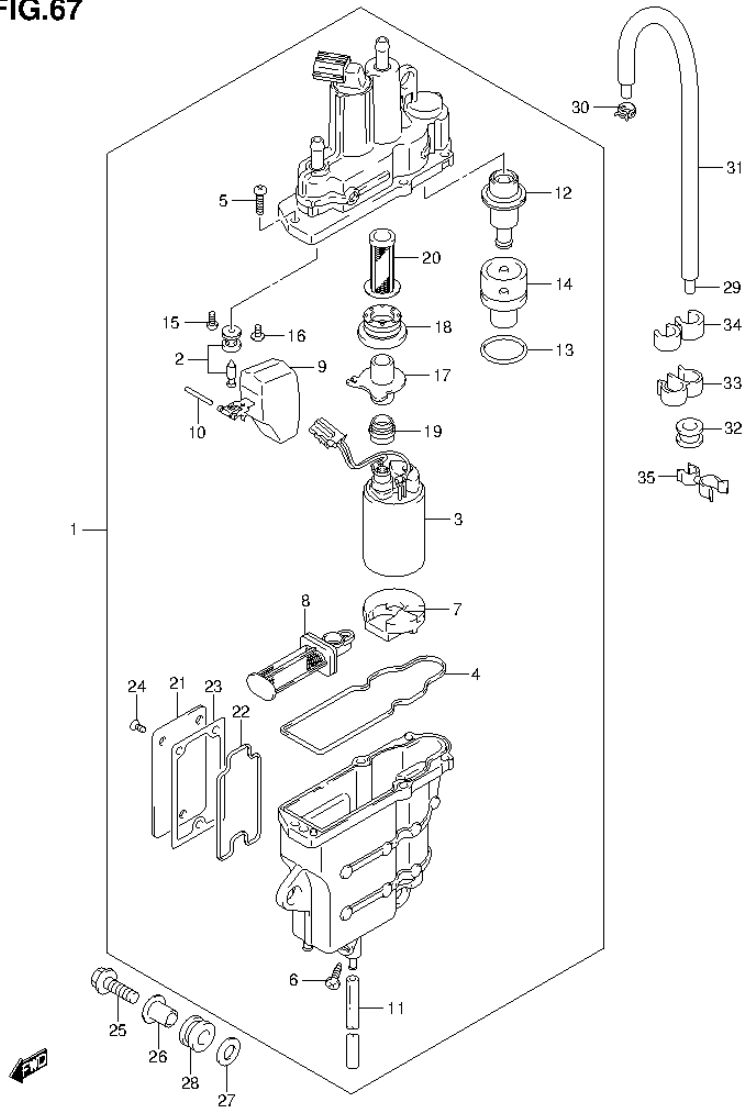


FIG.67 (1-G-8) FUEL VAPOR SEPARATOR (DF60AQH E01)

REF NO.	PART NO.	DESCRIPTION	Q'TY	REMARKS
35	09408-00145	CLIP	1	

FIG.68

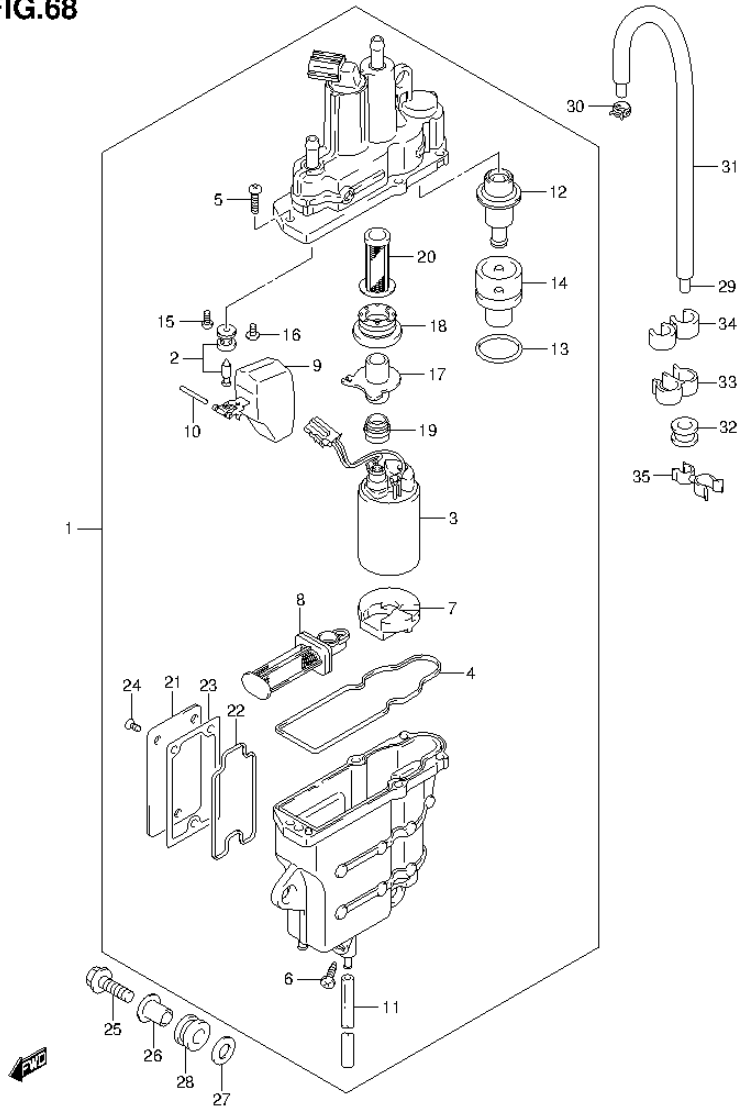


FIG.68 (1-G-9) FUEL VAPOR SEPARATOR (DF60AQH E40)

REF NO.	PART NO.	DESCRIPTION	Q'TY	REMARKS
1	15600-88L12	SEPARATOR ASSY, FUEL VAPOR	1	
2	13370-88L10	.VALVE ASSY, NEEDLE	1	
3	15200-88L10	.PUMP ASSY, FUEL	1	
4	15626-88L10	.SEAL	1	
5	15628-99E00	.SCREW (L:15)	5	
6	15629-99E10	.SCREW, DRAIN	1	
7	15641-88L10	.SPACER	1	
8	15642-88L00	.FILTER ASSY	1	
9	15650-99E00	.FLOAT	1	
10	15654-88L00	.PIN	1	
11	15683-87J00	.HOSE, DRAIN (L:120)	1	
12	15760-88L00	.REGULATOR ASSY	1	
13	15644-88L10	.O RING	1	
14	15645-88L00	.HOLDER, REGULATOR	1	
15	13614-89J00	.SCREW	1	
16	13614-93J00	.SCREW	1	
17	15643-88L00	.JOINT	1	
18	15641-88L30	.BUSH	1	
19	15641-88L50	.BUSH	1	
20	15642-88L10	.FILTER	1	
21	15612-88L00	.COVER	1	
22	15613-88L00	.O RING	1	
23	15613-92J00	.GASKET	1	
24	15614-88L00	.SCREW	3	
25	01550-06307	BOLT	3	
26	09169-06075	WASHER	3	
27	09160-06084	WASHER (6.5X18X1.6)	3	
28	09320-09039	CUSHION	3	
29	09352-50823-00B	HOSE (5X8.2X2000)	1	L:2000->770
30	09401-08412	CLIP	1	
31	18498-88L10	PROTECTOR, EVAP HOSE (L:730)	1	
32	09320-08076	GROMMET	1	
33	09408-00043	CLAMP	1	
34	09408-00121	CLAMP	1	

FIG.68

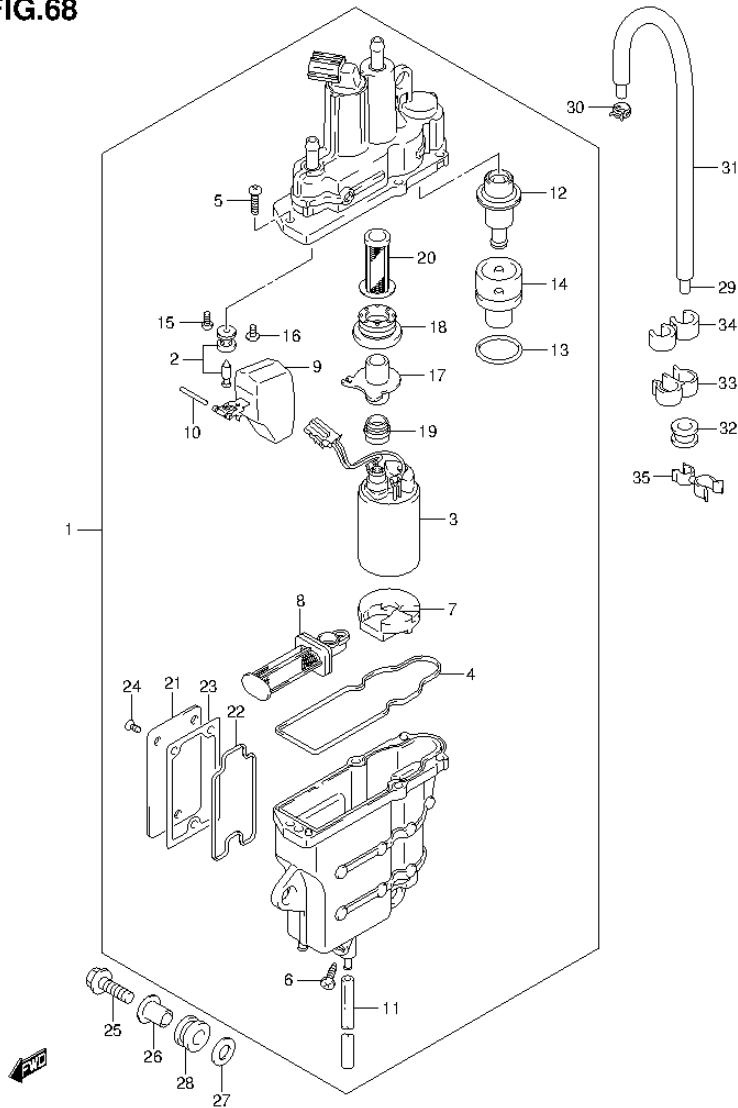


FIG.68 (1-G-10) FUEL VAPOR SEPARATOR (DF60AQH E40)

REF NO.	PART NO.	DESCRIPTION	Q'TY	REMARKS
35	09408-00145	CLIP	1	

FIG.69

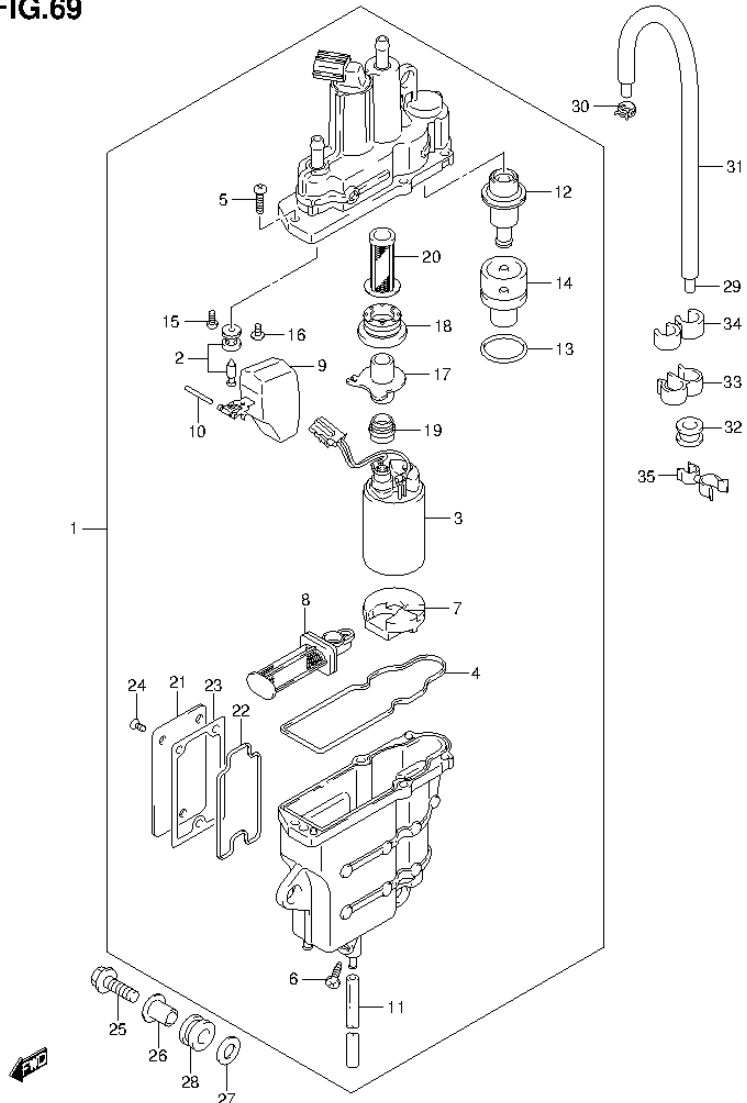


FIG.69 (1-G-11) FUEL VAPOR SEPARATOR (DF60ATH E01)

REF NO.	PART NO.	DESCRIPTION	Q'TY	REMARKS
1	15600-88L02	SEPARATOR ASSY, FUEL VAPOR	1	
2	13370-88L00	.VALVE ASSY, NEEDLE	1	
3	15200-88L00	.PUMP ASSY, FUEL	1	
4	15626-88L00	.SEAL	1	
5	15628-99E00	.SCREW (L:15)	5	
6	15629-99E10	.SCREW, DRAIN	1	
7	15641-88L00	.SPACER	1	
8	15642-88L00	.FILTER ASSY	1	
9	15650-99E00	.FLOAT	1	
10	15654-88L00	.PIN	1	
11	15683-87J00	.HOSE, DRAIN (L:120)	1	
12	15760-88L00	.REGULATOR ASSY	1	
13	15644-88L00	.O RING	1	
14	15645-88L00	.HOLDER, REGULATOR	1	
15	02112-0408A	.SCREW	1	
16	02142-0408B	.SCREW	1	
17	15643-88L00	.JOINT	1	
18	15641-88L20	.BUSH	1	
19	15641-88L40	.BUSH	1	
20	15642-88L10	.FILTER	1	
21	15612-88L00	.COVER	1	
22	15613-88L00	.O RING	1	
23	15613-92J00	.GASKET	1	
24	15614-88L00	.SCREW	3	
25	01550-06307	BOLT	3	
26	09169-06075	WASHER	3	
27	09160-06084	WASHER (6.5X18X1.6)	3	
28	09320-09039	CUSHION	3	
29	09352-50823-00B	HOSE (5X8.2X2000)	1	L:2000->770
30	09401-08412	CLIP	1	
31	18498-88L10	PROTECTOR, EVAP HOSE (L:730)	1	
32	09320-08076	GROMMET	1	
33	09408-00043	CLAMP	1	
34	09408-00121	CLAMP	1	

FIG.69

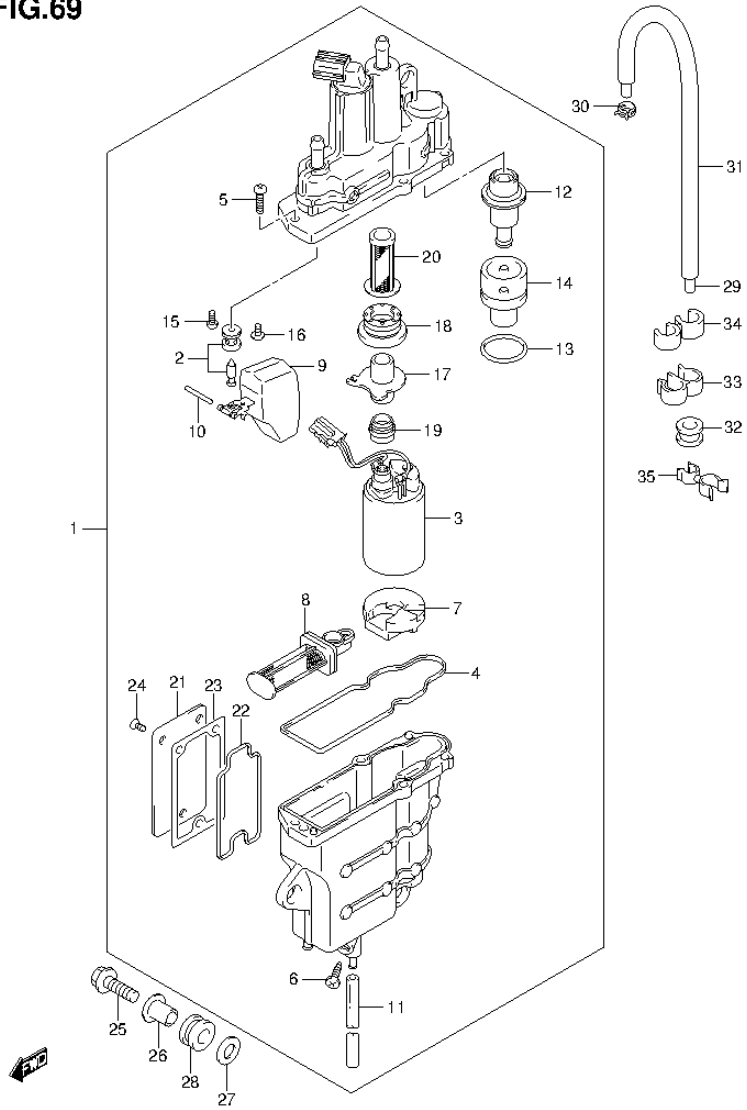


FIG.69 (1-G-12) FUEL VAPOR SEPARATOR (DF60ATH E01)

REF NO.	PART NO.	DESCRIPTION	Q'TY	REMARKS
35	09408-00145	CLIP	1	

FIG.70

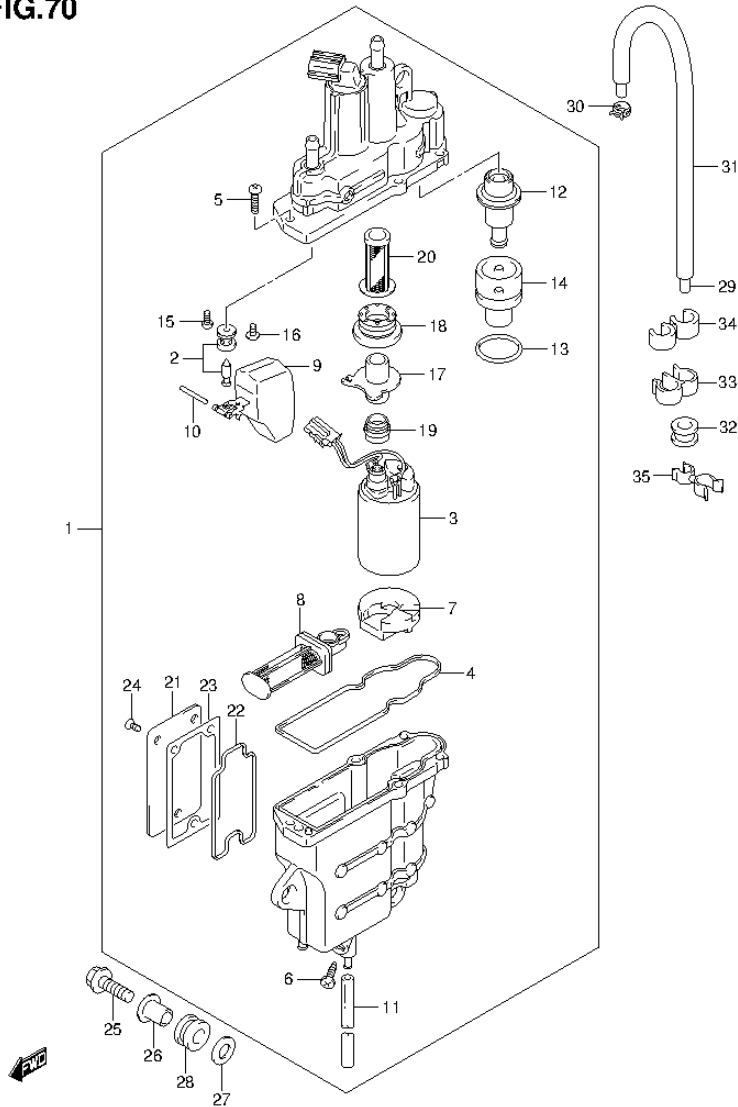


FIG.70 (1-G-13) FUEL VAPOR SEPARATOR (DF60ATH E40)

REF NO.	PART NO.	DESCRIPTION	Q'TY	REMARKS
1	15600-88L12	SEPARATOR ASSY, FUEL VAPOR	1	
2	13370-88L10	.VALVE ASSY, NEEDLE	1	
3	15200-88L10	.PUMP ASSY, FUEL	1	
4	15626-88L10	.SEAL	1	
5	15628-99E00	.SCREW (L:15)	5	
6	15629-99E10	.SCREW, DRAIN	1	
7	15641-88L10	.SPACER	1	
8	15642-88L00	.FILTER ASSY	1	
9	15650-99E00	.FLOAT	1	
10	15654-88L00	.PIN	1	
11	15683-87J00	.HOSE, DRAIN (L:120)	1	
12	15760-88L00	.REGULATOR ASSY	1	
13	15644-88L10	.O RING	1	
14	15645-88L00	.HOLDER, REGULATOR	1	
15	13614-89J00	.SCREW	1	
16	13614-93J00	.SCREW	1	
17	15643-88L00	.JOINT	1	
18	15641-88L30	.BUSH	1	
19	15641-88L50	.BUSH	1	
20	15642-88L10	.FILTER	1	
21	15612-88L00	.COVER	1	
22	15613-88L00	.O RING	1	
23	15613-92J00	.GASKET	1	
24	15614-88L00	.SCREW	3	
25	01550-06307	BOLT	3	
26	09169-06075	WASHER	3	
27	09160-06084	WASHER (6.5X18X1.6)	3	
28	09320-09039	CUSHION	3	
29	09352-50823-00B	HOSE (5X8.2X2000)	1	L:2000->770
30	09401-08412	CLIP	1	
31	18498-88L10	PROTECTOR, EVAP HOSE (L:730)	1	
32	09320-08076	GROMMET	1	
33	09408-00043	CLAMP	1	
34	09408-00121	CLAMP	1	

FIG.70

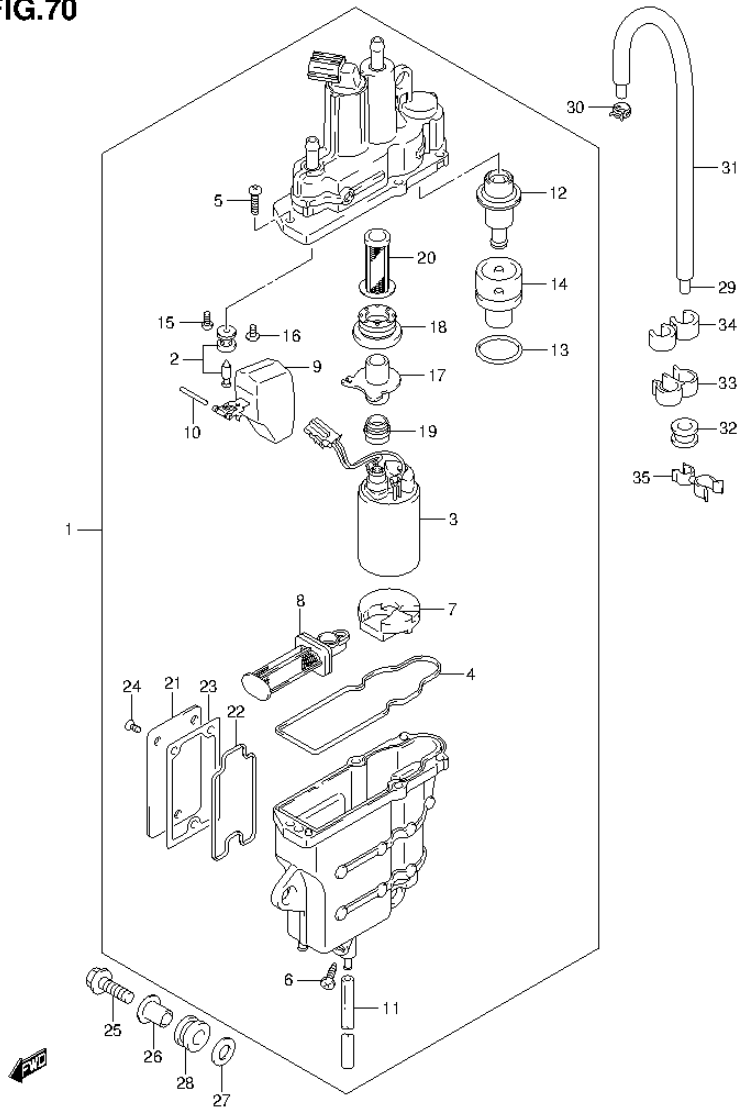


FIG.70 (1-G-14) FUEL VAPOR SEPARATOR (DF60ATH E40)

REF NO.	PART NO.	DESCRIPTION	Q'TY	REMARKS
35	09408-00145	CLIP	1	

FIG.71

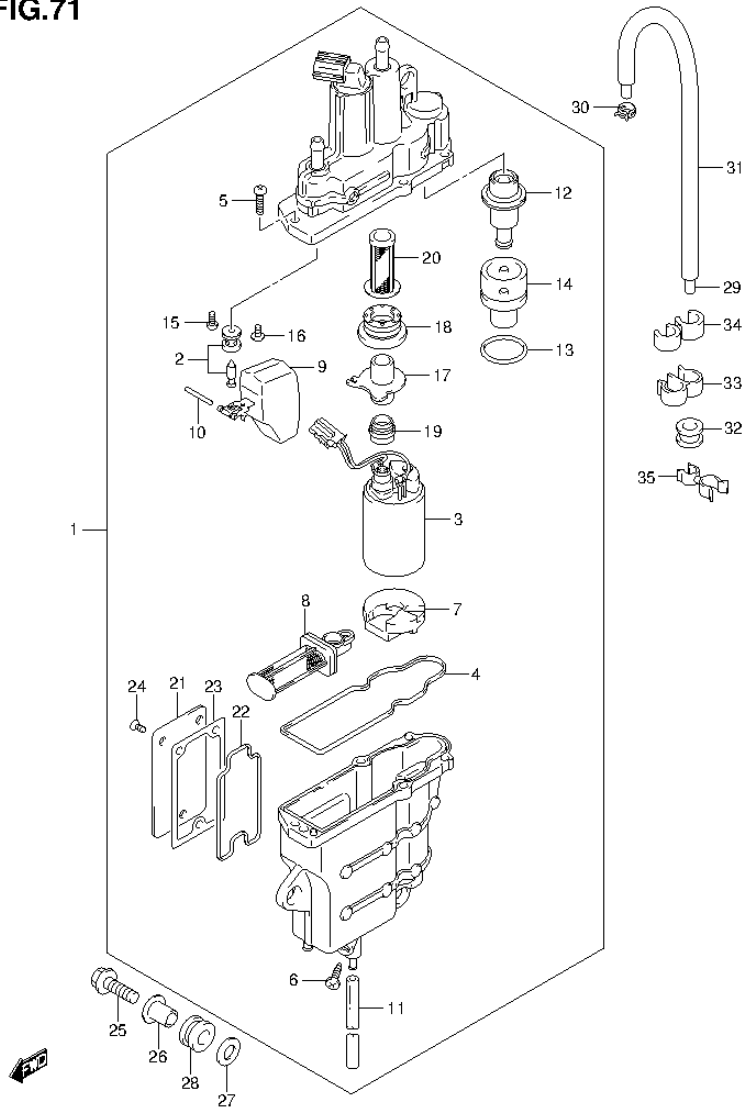


FIG.71 (1-G-15) FUEL VAPOR SEPARATOR (DF50AVT E01)

REF NO.	PART NO.	DESCRIPTION	Q'TY	REMARKS
1	15600-88L02	SEPARATOR ASSY, FUEL VAPOR	1	
2	13370-88L00	.VALVE ASSY, NEEDLE	1	
3	15200-88L00	.PUMP ASSY, FUEL	1	
4	15626-88L00	.SEAL	1	
5	15628-99E00	.SCREW (L:15)	5	
6	15629-99E10	.SCREW, DRAIN	1	
7	15641-88L00	.SPACER	1	
8	15642-88L00	.FILTER ASSY	1	
9	15650-99E00	.FLOAT	1	
10	15654-88L00	.PIN	1	
11	15683-87J00	.HOSE, DRAIN (L:120)	1	
12	15760-88L00	.REGULATOR ASSY	1	
13	15644-88L00	.O RING	1	
14	15645-88L00	.HOLDER, REGULATOR	1	
15	02112-0408A	.SCREW	1	
16	02142-0408B	.SCREW	1	
17	15643-88L00	.JOINT	1	
18	15641-88L20	.BUSH	1	
19	15641-88L40	.BUSH	1	
20	15642-88L10	.FILTER	1	
21	15612-88L00	.COVER	1	
22	15613-88L00	.O RING	1	
23	15613-92J00	.GASKET	1	
24	15614-88L00	.SCREW	3	
25	01550-06307	BOLT	3	
26	09169-06075	WASHER	3	
27	09160-06084	WASHER (6.5X18X1.6)	3	
28	09320-09039	CUSHION	3	
29	09352-50823-00B	HOSE (5X8.2X2000)	1	L:2000->770
30	09401-08412	CLIP	1	
31	18498-88L10	PROTECTOR, EVAP HOSE (L:730)	1	
32	09320-08076	GROMMET	1	
33	09408-00043	CLAMP	1	
34	09408-00121	CLAMP	1	

FIG.71

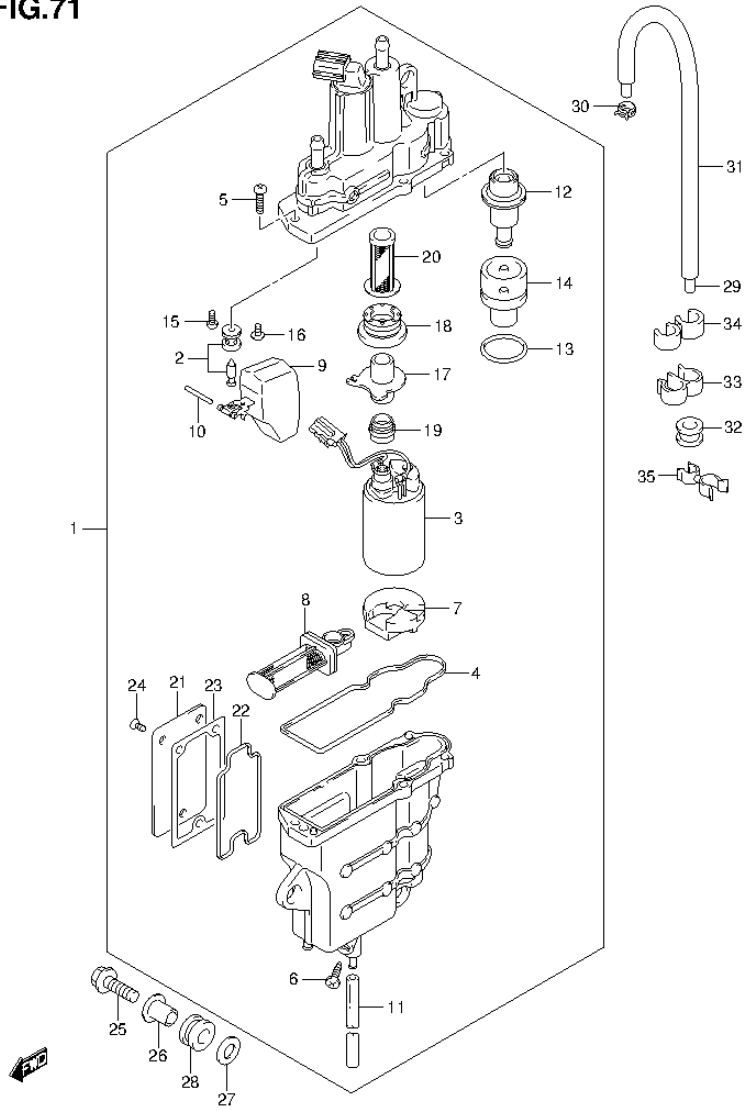


FIG.71 (1-H-2) FUEL VAPOR SEPARATOR (DF50AVT E01)

REF NO.	PART NO.	DESCRIPTION	Q'TY	REMARKS
35	09408-00145	CLIP	1	

FIG.72

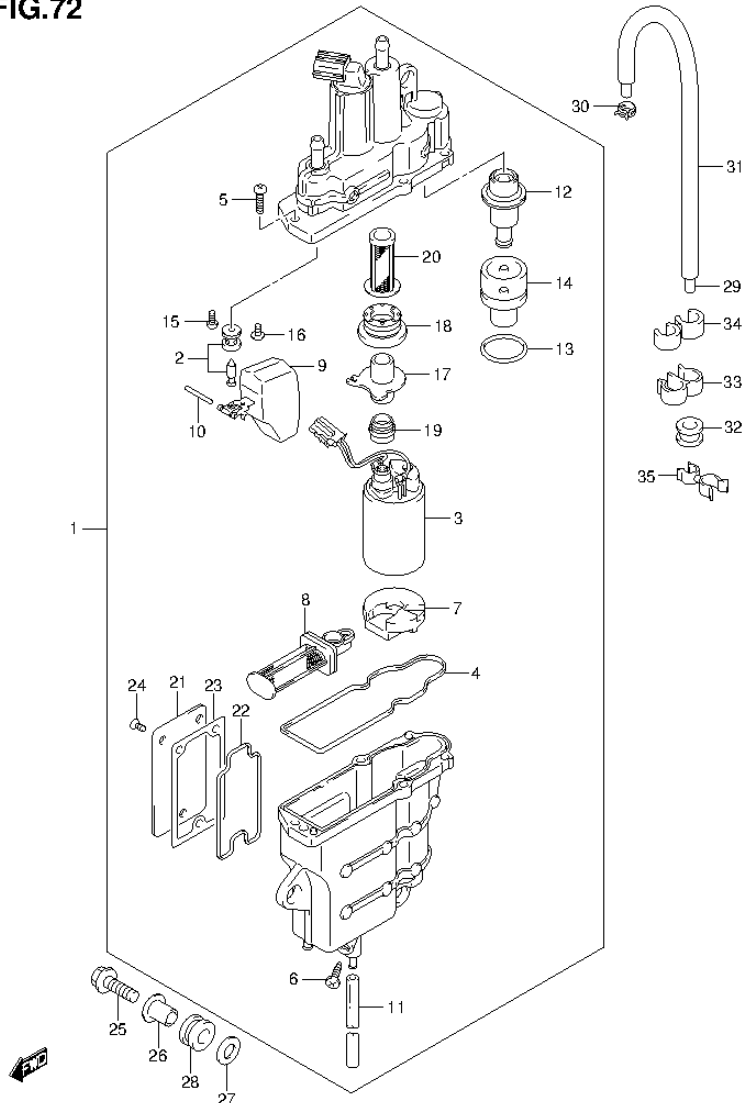


FIG.72 (1-H-3) FUEL VAPOR SEPARATOR (DF50AVTH E01)

REF NO.	PART NO.	DESCRIPTION	Q'TY	REMARKS
1	15600-88L02	SEPARATOR ASSY, FUEL VAPOR	1	
2	13370-88L00	.VALVE ASSY, NEEDLE	1	
3	15200-88L00	.PUMP ASSY, FUEL	1	
4	15626-88L00	.SEAL	1	
5	15628-99E00	.SCREW (L:15)	5	
6	15629-99E10	.SCREW, DRAIN	1	
7	15641-88L00	.SPACER	1	
8	15642-88L00	.FILTER ASSY	1	
9	15650-99E00	.FLOAT	1	
10	15654-88L00	.PIN	1	
11	15683-87J00	.HOSE, DRAIN (L:120)	1	
12	15760-88L00	.REGULATOR ASSY	1	
13	15644-88L00	.O RING	1	
14	15645-88L00	.HOLDER, REGULATOR	1	
15	02112-0408A	.SCREW	1	
16	02142-0408B	.SCREW	1	
17	15643-88L00	.JOINT	1	
18	15641-88L20	.BUSH	1	
19	15641-88L40	.BUSH	1	
20	15642-88L10	.FILTER	1	
21	15612-88L00	.COVER	1	
22	15613-88L00	.O RING	1	
23	15613-92J00	.GASKET	1	
24	15614-88L00	.SCREW	3	
25	01550-06307	BOLT	3	
26	09169-06075	WASHER	3	
27	09160-06084	WASHER (6.5X18X1.6)	3	
28	09320-09039	CUSHION	3	
29	09352-50823-00B	HOSE (5X8.2X2000)	1	L:2000->770
30	09401-08412	CLIP	1	
31	18498-88L10	PROTECTOR, EVAP HOSE (L:730)	1	
32	09320-08076	GROMMET	1	
33	09408-00043	CLAMP	1	
34	09408-00121	CLAMP	1	

FIG.72

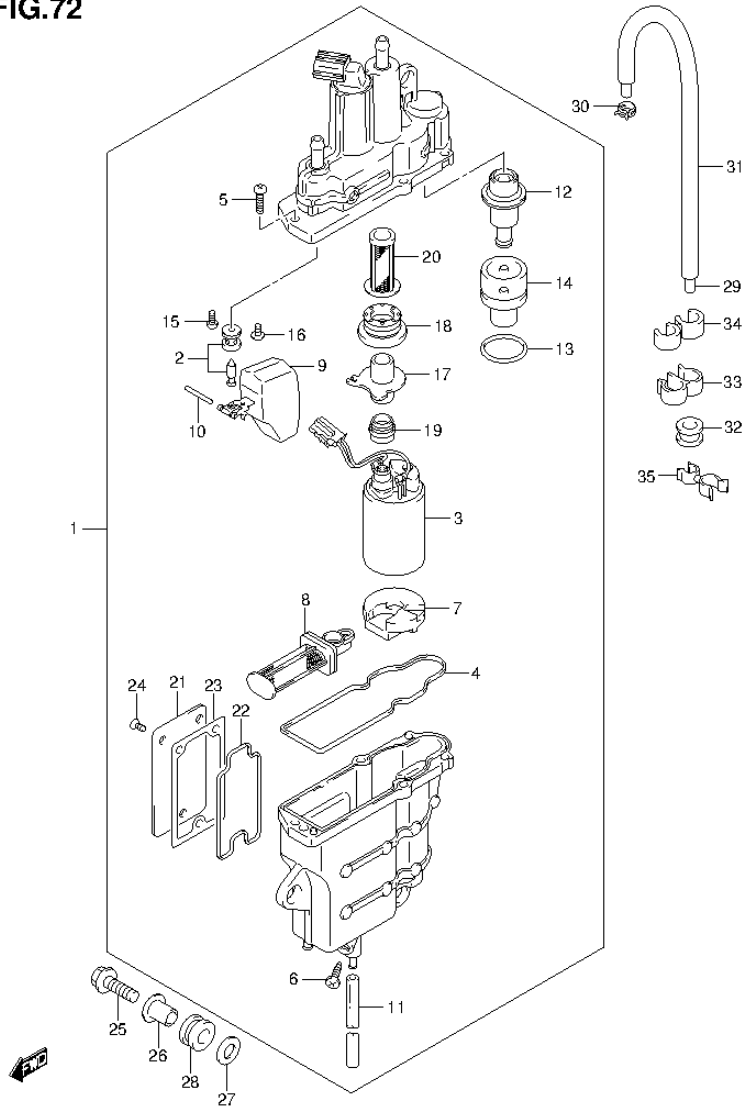


FIG.72 (1-H-4) FUEL VAPOR SEPARATOR (DF50AVTH E01)

REF NO.	PART NO.	DESCRIPTION	Q'TY	REMARKS
35	09408-00145	CLIP	1	

FIG.73

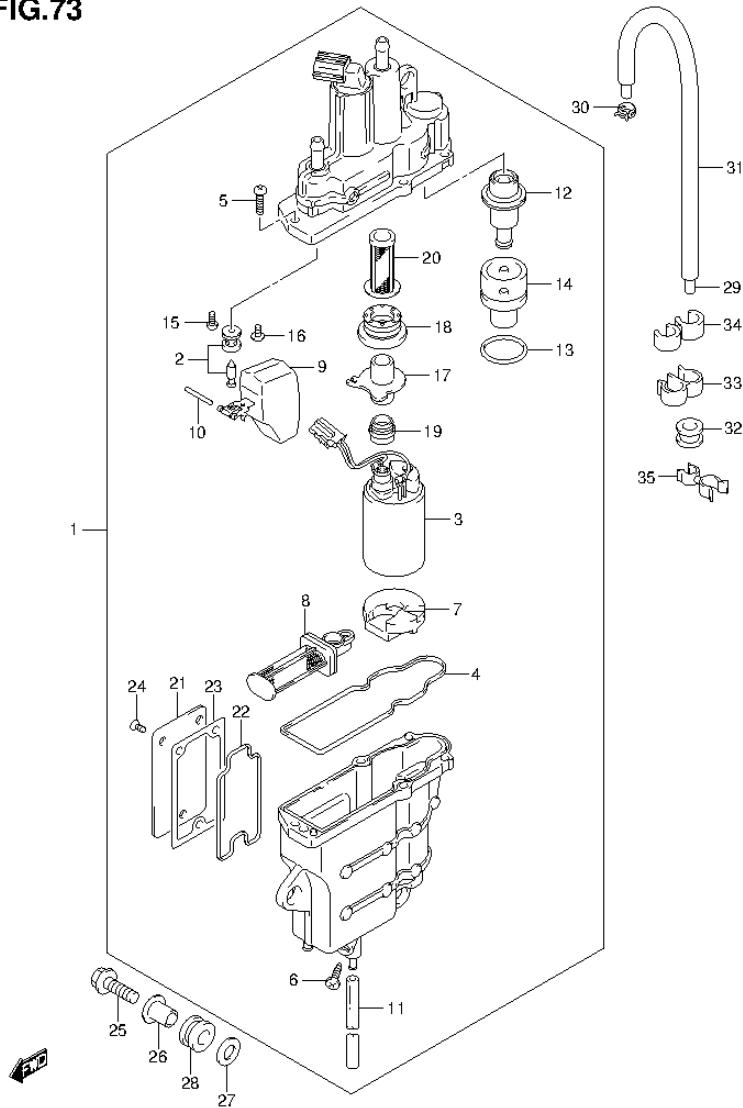


FIG.73 (1-H-5) FUEL VAPOR SEPARATOR (DF60AVT E01)

REF NO.	PART NO.	DESCRIPTION	Q'TY	REMARKS
1	15600-88L02	SEPARATOR ASSY, FUEL VAPOR	1	
2	13370-88L00	.VALVE ASSY, NEEDLE	1	
3	15200-88L00	.PUMP ASSY, FUEL	1	
4	15626-88L00	.SEAL	1	
5	15628-99E00	.SCREW (L:15)	5	
6	15629-99E10	.SCREW, DRAIN	1	
7	15641-88L00	.SPACER	1	
8	15642-88L00	.FILTER ASSY	1	
9	15650-99E00	.FLOAT	1	
10	15654-88L00	.PIN	1	
11	15683-87J00	.HOSE, DRAIN (L:120)	1	
12	15760-88L00	.REGULATOR ASSY	1	
13	15644-88L00	.O RING	1	
14	15645-88L00	.HOLDER, REGULATOR	1	
15	02112-0408A	.SCREW	1	
16	02142-0408B	.SCREW	1	
17	15643-88L00	.JOINT	1	
18	15641-88L20	.BUSH	1	
19	15641-88L40	.BUSH	1	
20	15642-88L10	.FILTER	1	
21	15612-88L00	.COVER	1	
22	15613-88L00	.O RING	1	
23	15613-92J00	.GASKET	1	
24	15614-88L00	.SCREW	3	
25	01550-06307	BOLT	3	
26	09169-06075	WASHER	3	
27	09160-06084	WASHER (6.5X18X1.6)	3	
28	09320-09039	CUSHION	3	
29	09352-50823-00B	HOSE (5X8.2X2000)	1	L:2000->770
30	09401-08412	CLIP	1	
31	18498-88L10	PROTECTOR, EVAP HOSE (L:730)	1	
32	09320-08076	GROMMET	1	
33	09408-00043	CLAMP	1	
34	09408-00121	CLAMP	1	

FIG.73

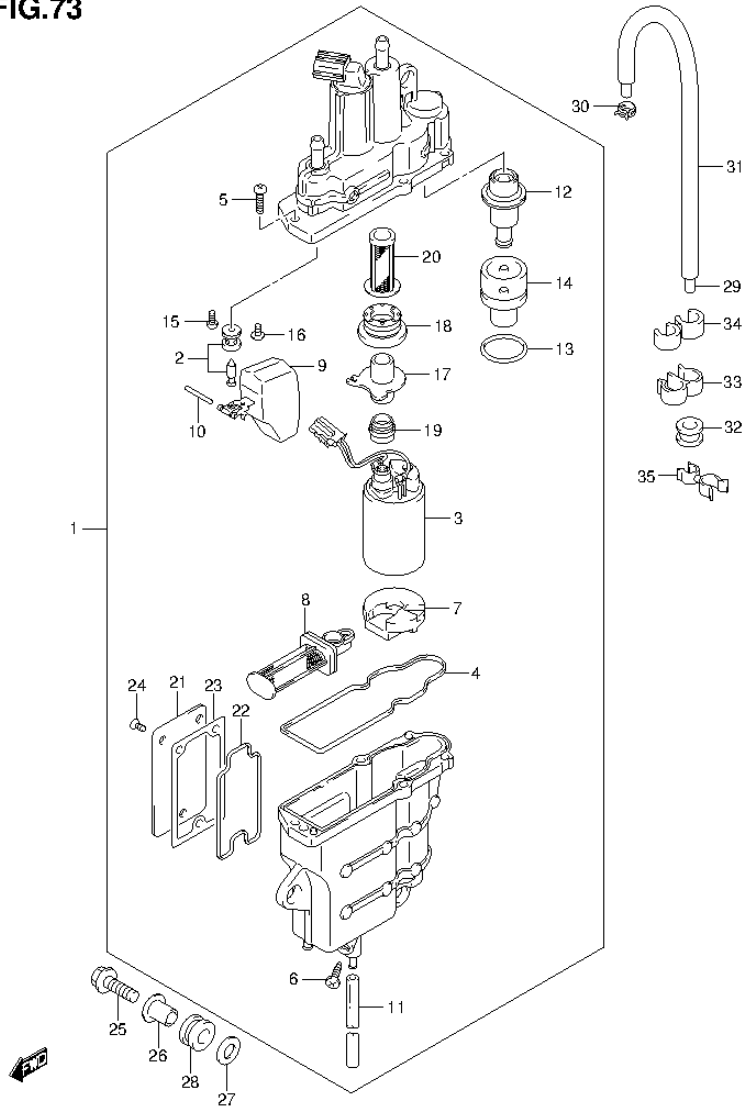


FIG.73 (1-H-6) FUEL VAPOR SEPARATOR (DF60AVT E01)

REF NO.	PART NO.	DESCRIPTION	Q'TY	REMARKS
35	09408-00145	CLIP	1	

FIG.74

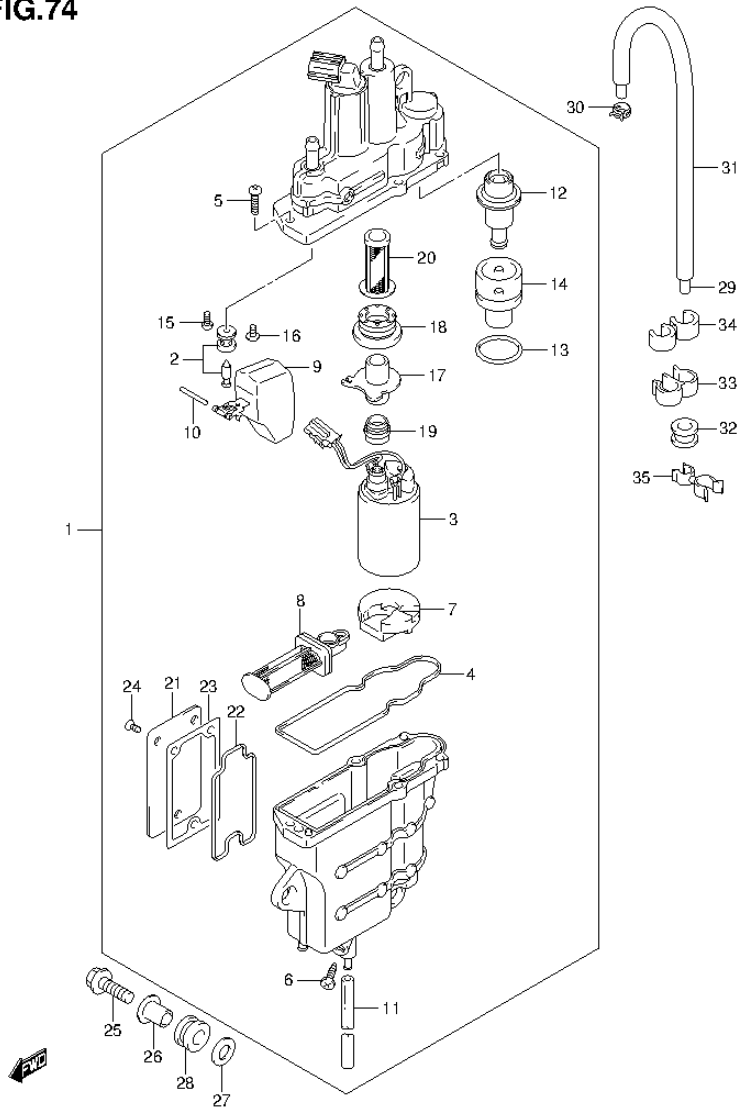


FIG.74 (1-H-7) FUEL VAPOR SEPARATOR (DF60AVT E40)

REF NO.	PART NO.	DESCRIPTION	Q'TY	REMARKS
1	15600-88L12	SEPARATOR ASSY, FUEL VAPOR	1	
2	13370-88L10	.VALVE ASSY, NEEDLE	1	
3	15200-88L10	.PUMP ASSY, FUEL	1	
4	15626-88L10	.SEAL	1	
5	15628-99E00	.SCREW (L:15)	5	
6	15629-99E10	.SCREW, DRAIN	1	
7	15641-88L10	.SPACER	1	
8	15642-88L00	.FILTER ASSY	1	
9	15650-99E00	.FLOAT	1	
10	15654-88L00	.PIN	1	
11	15683-87J00	.HOSE, DRAIN (L:120)	1	
12	15760-88L00	.REGULATOR ASSY	1	
13	15644-88L10	.O RING	1	
14	15645-88L00	.HOLDER, REGULATOR	1	
15	13614-89J00	.SCREW	1	
16	13614-93J00	.SCREW	1	
17	15643-88L00	.JOINT	1	
18	15641-88L30	.BUSH	1	
19	15641-88L50	.BUSH	1	
20	15642-88L10	.FILTER	1	
21	15612-88L00	.COVER	1	
22	15613-88L00	.O RING	1	
23	15613-92J00	.GASKET	1	
24	15614-88L00	.SCREW	3	
25	01550-06307	BOLT	3	
26	09169-06075	WASHER	3	
27	09160-06084	WASHER (6.5X18X1.6)	3	
28	09320-09039	CUSHION	3	
29	09352-50823-00B	HOSE (5X8.2X2000)	1	L:2000->770
30	09401-08412	CLIP	1	
31	18498-88L10	PROTECTOR, EVAP HOSE (L:730)	1	
32	09320-08076	GROMMET	1	
33	09408-00043	CLAMP	1	
34	09408-00121	CLAMP	1	

FIG.74

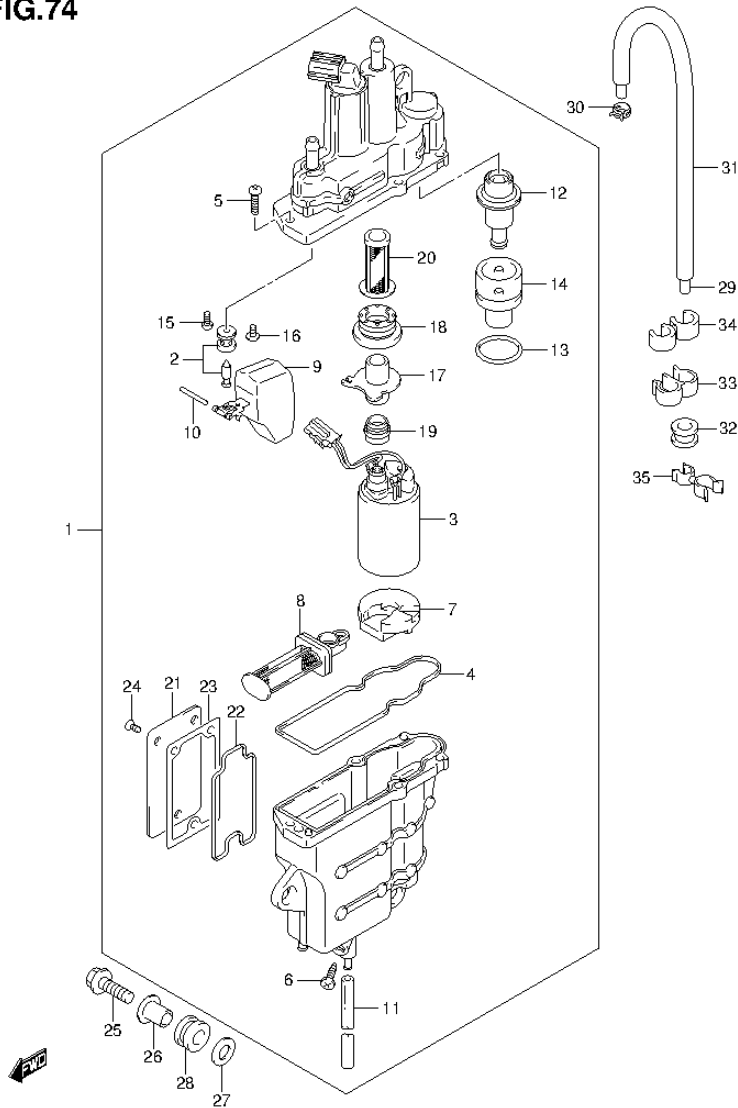


FIG.74 (1-H-8) FUEL VAPOR SEPARATOR (DF60AVT E40)

REF NO.	PART NO.	DESCRIPTION	Q'TY	REMARKS
35	09408-00145	CLIP	1	

FIG.75

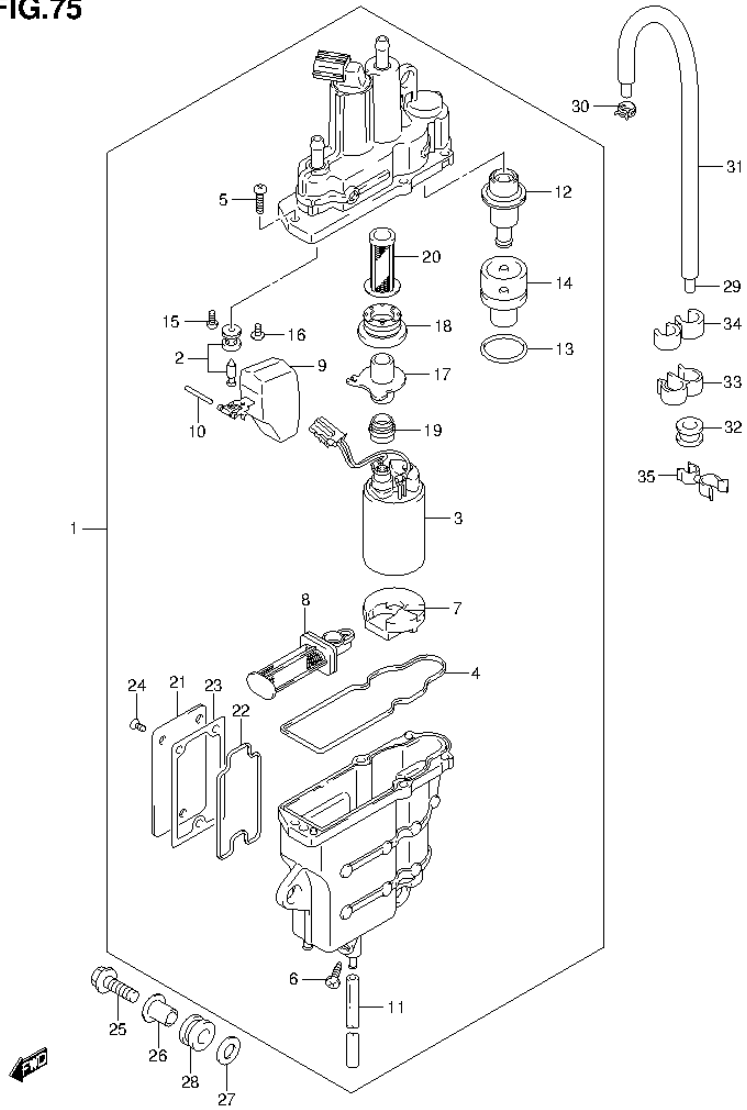


FIG.75 (1-H-9) FUEL VAPOR SEPARATOR (DF60AVTH E01)

REF NO.	PART NO.	DESCRIPTION	Q'TY	REMARKS
1	15600-88L02	SEPARATOR ASSY, FUEL VAPOR	1	
2	13370-88L00	.VALVE ASSY, NEEDLE	1	
3	15200-88L00	.PUMP ASSY, FUEL	1	
4	15626-88L00	.SEAL	1	
5	15628-99E00	.SCREW (L:15)	5	
6	15629-99E10	.SCREW, DRAIN	1	
7	15641-88L00	.SPACER	1	
8	15642-88L00	.FILTER ASSY	1	
9	15650-99E00	.FLOAT	1	
10	15654-88L00	.PIN	1	
11	15683-87J00	.HOSE, DRAIN (L:120)	1	
12	15760-88L00	.REGULATOR ASSY	1	
13	15644-88L00	.O RING	1	
14	15645-88L00	.HOLDER, REGULATOR	1	
15	02112-0408A	.SCREW	1	
16	02142-0408B	.SCREW	1	
17	15643-88L00	.JOINT	1	
18	15641-88L20	.BUSH	1	
19	15641-88L40	.BUSH	1	
20	15642-88L10	.FILTER	1	
21	15612-88L00	.COVER	1	
22	15613-88L00	.O RING	1	
23	15613-92J00	.GASKET	1	
24	15614-88L00	.SCREW	3	
25	01550-06307	BOLT	3	
26	09169-06075	WASHER	3	
27	09160-06084	WASHER (6.5X18X1.6)	3	
28	09320-09039	CUSHION	3	
29	09352-50823-00B	HOSE (5X8.2X2000)	1	L:2000->770
30	09401-08412	CLIP	1	
31	18498-88L10	PROTECTOR, EVAP HOSE (L:730)	1	
32	09320-08076	GROMMET	1	
33	09408-00043	CLAMP	1	
34	09408-00121	CLAMP	1	

FIG.75

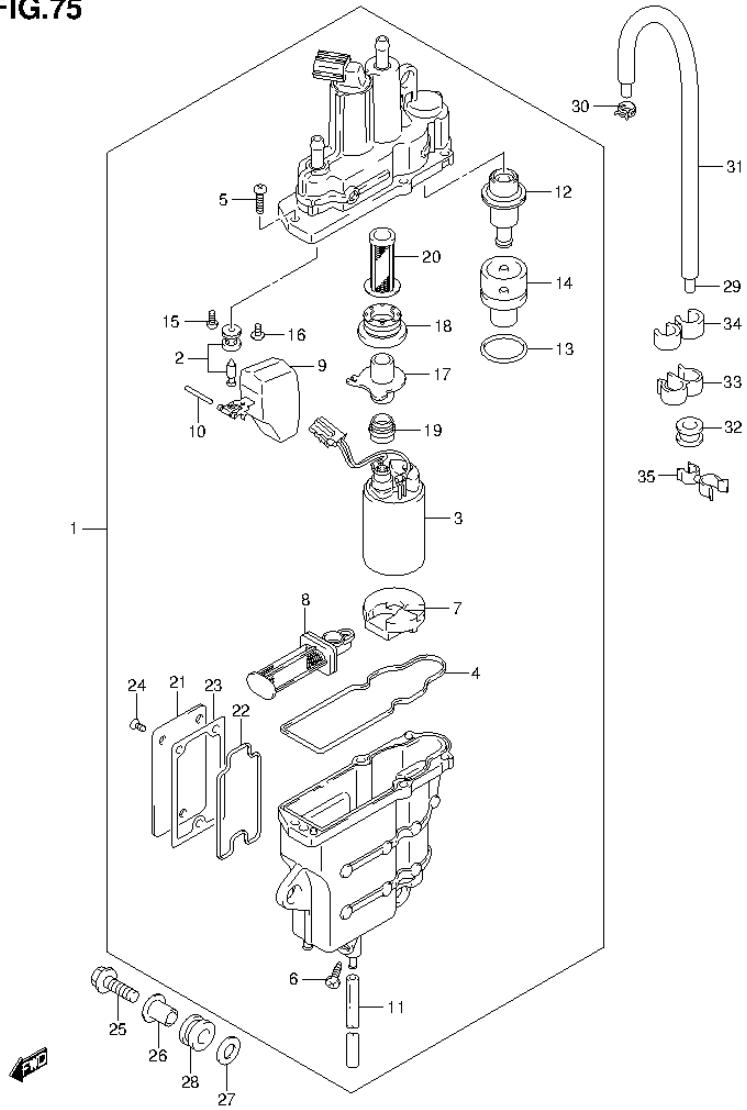


FIG.75 (1-H-10) FUEL VAPOR SEPARATOR (DF60AVTH E01)

REF NO.	PART NO.	DESCRIPTION	Q'TY	REMARKS
35	09408-00145	CLIP	1	

FIG.76

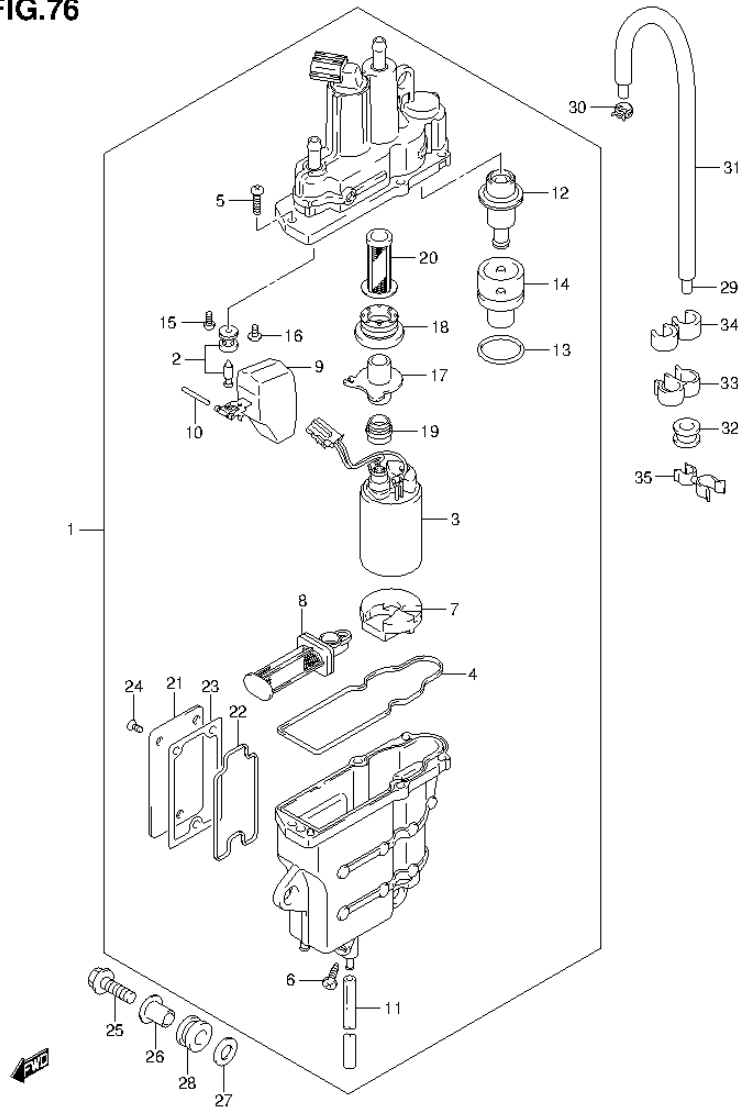


FIG.76 (1-H-11) FUEL VAPOR SEPARATOR (DF60AVTH E40)

REF NO.	PART NO.	DESCRIPTION	Q'TY	REMARKS
1	15600-88L12	SEPARATOR ASSY, FUEL VAPOR	1	
2	13370-88L10	.VALVE ASSY, NEEDLE	1	
3	15200-88L10	.PUMP ASSY, FUEL	1	
4	15626-88L10	.SEAL	1	
5	15628-99E00	.SCREW (L:15)	5	
6	15629-99E10	.SCREW, DRAIN	1	
7	15641-88L10	.SPACER	1	
8	15642-88L00	.FILTER ASSY	1	
9	15650-99E00	.FLOAT	1	
10	15654-88L00	.PIN	1	
11	15683-87J00	.HOSE, DRAIN (L:120)	1	
12	15760-88L00	.REGULATOR ASSY	1	
13	15644-88L10	.O RING	1	
14	15645-88L00	.HOLDER, REGULATOR	1	
15	13614-89J00	.SCREW	1	
16	13614-93J00	.SCREW	1	
17	15643-88L00	.JOINT	1	
18	15641-88L30	.BUSH	1	
19	15641-88L50	.BUSH	1	
20	15642-88L10	.FILTER	1	
21	15612-88L00	.COVER	1	
22	15613-88L00	.O RING	1	
23	15613-92J00	.GASKET	1	
24	15614-88L00	.SCREW	3	
25	01550-06307	BOLT	3	
26	09169-06075	WASHER	3	
27	09160-06084	WASHER (6.5X18X1.6)	3	
28	09320-09039	CUSHION	3	
29	09352-50823-00B	HOSE (5X8.2X2000)	1	L:2000->770
30	09401-08412	CLIP	1	
31	18498-88L10	PROTECTOR, EVAP HOSE (L:730)	1	
32	09320-08076	GROMMET	1	
33	09408-00043	CLAMP	1	
34	09408-00121	CLAMP	1	

FIG.76

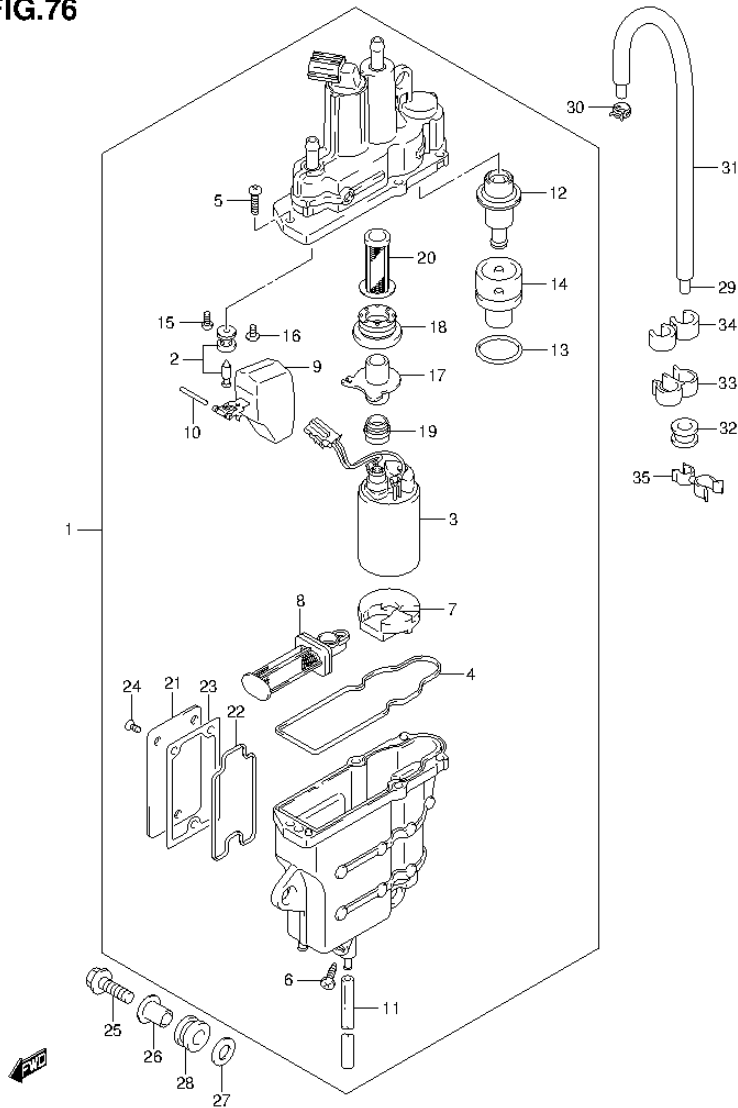


FIG.76 (1-H-12) FUEL VAPOR SEPARATOR (DF60AVTH E40)

REF NO.	PART NO.	DESCRIPTION	Q'TY	REMARKS
35	09408-00145	CLIP	1	

FIG.77

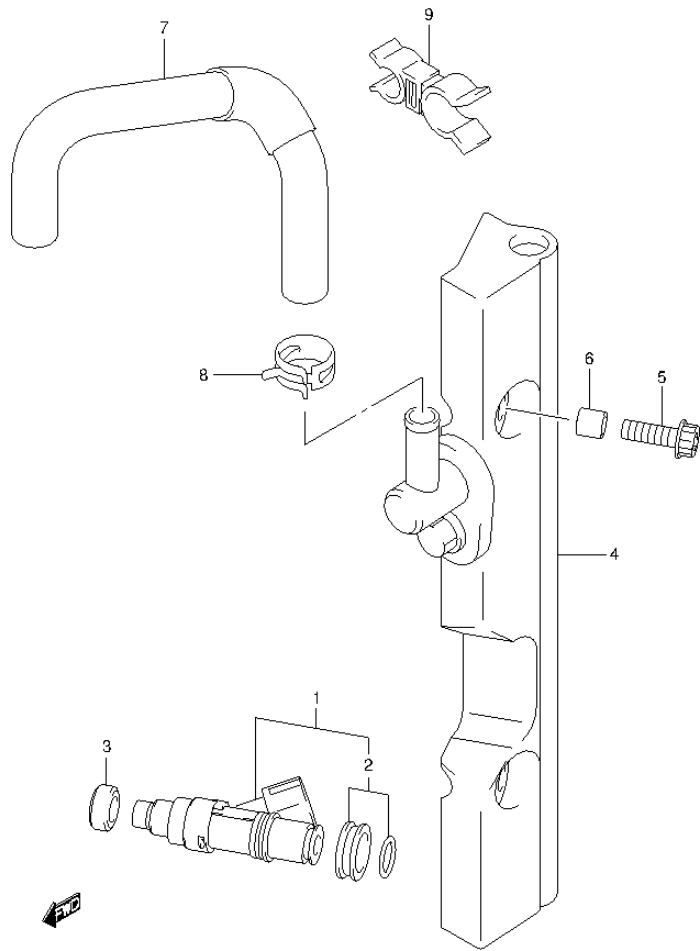


FIG.77 (1-H-13) FUEL INJECTOR (DF40A E01)

REF NO.	PART NO.	DESCRIPTION	Q'TY	REMARKS
1	15710-85K00	INJECTOR ASSY, FUEL	3	
2	15716-65DT0	.GROMMET SET	3	
3	09320-08062	CUSHION	3	
4	15750-88L10	PIPE, DELIVERY	1	
5	07120-06357	BOLT	2	
6	09180-06198	SPACER (6.2X12X16)	2	
7	15681-88L10	HOSE (SEPARATOR TO DLVY)	1	
8	09401-11425	CLIP	2	
9	09408-00174	CLAMP	1	

FIG.78

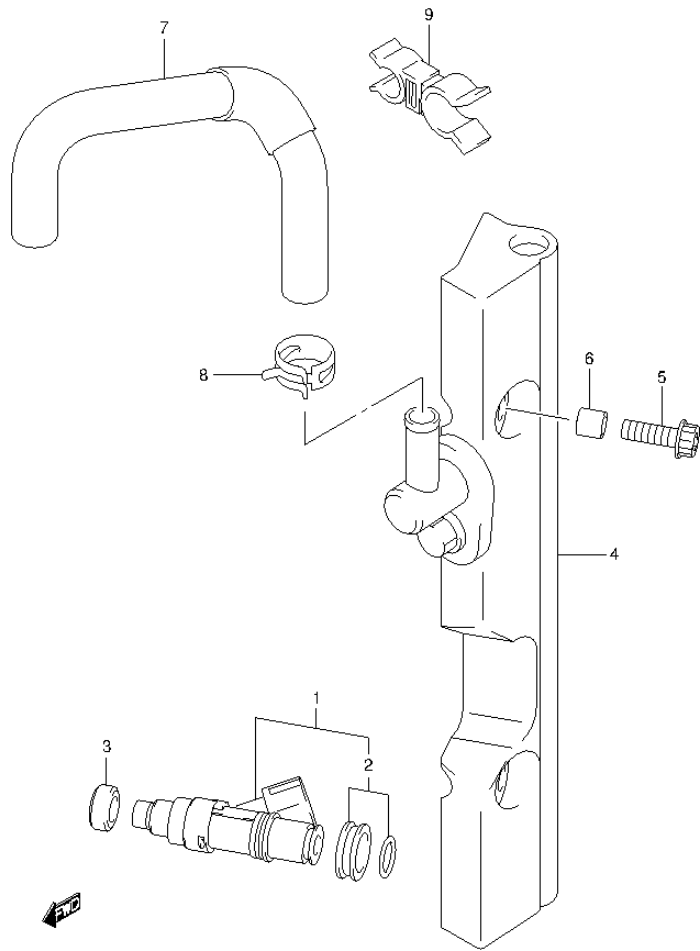


FIG.78 (1-H-14) FUEL INJECTOR (DF40AQH E01)

REF NO.	PART NO.	DESCRIPTION	Q'TY	REMARKS
1	15710-85K00	INJECTOR ASSY, FUEL	3	
2	15716-65DT0	.GROMMET SET	3	
3	09320-08062	CUSHION	3	
4	15750-88L10	PIPE, DELIVERY	1	
5	07120-06357	BOLT	2	
6	09180-06198	SPACER (6.2X12X16)	2	
7	15681-88L10	HOSE (SEPARATOR TO DLVY)	1	
8	09401-11425	CLIP	2	
9	09408-00174	CLAMP	1	

FIG.79

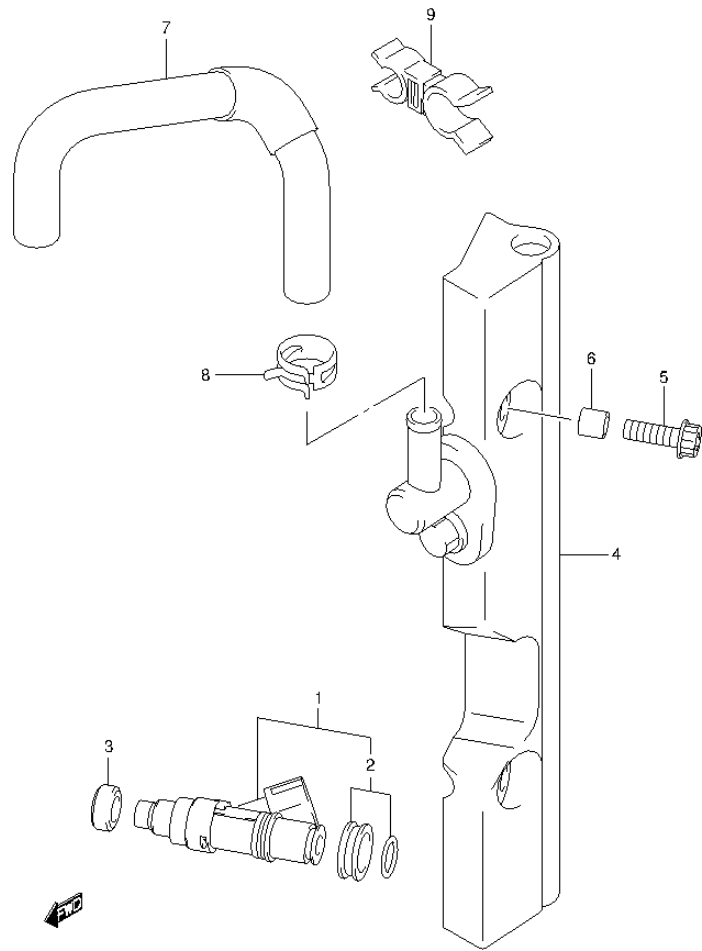


FIG.79 (1-H-15) FUEL INJECTOR (DF40ATH E01)

REF NO.	PART NO.	DESCRIPTION	Q'TY	REMARKS
1	15710-85K00	INJECTOR ASSY, FUEL	3	
2	15716-65DT0	.GROMMET SET	3	
3	09320-08062	CUSHION	3	
4	15750-88L10	PIPE, DELIVERY	1	
5	07120-06357	BOLT	2	
6	09180-06198	SPACER (6.2X12X16)	2	
7	15681-88L10	HOSE (SEPARATOR TO DLVY)	1	
8	09401-11425	CLIP	2	
9	09408-00174	CLAMP	1	

FIG.80

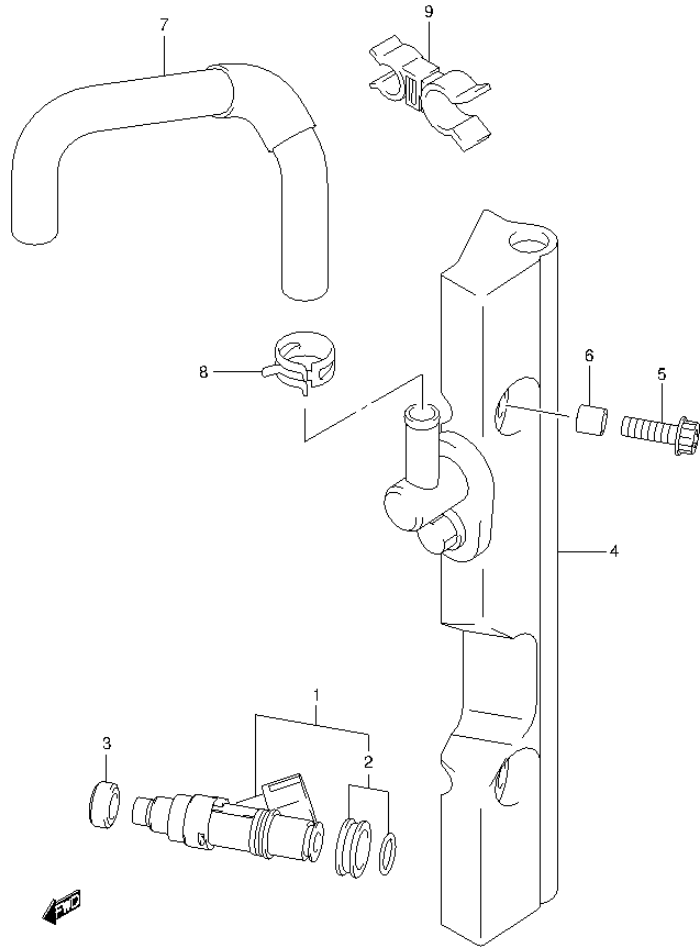


FIG.80 (1-I-2) FUEL INJECTOR (DF40AST E34)

REF NO.	PART NO.	DESCRIPTION	Q'TY	REMARKS
1	15710-85K00	INJECTOR ASSY, FUEL	3	
2	15716-65DT0	.GROMMET SET	3	
3	09320-08062	CUSHION	3	
4	15750-88L10	PIPE, DELIVERY	1	
5	07120-06357	BOLT	2	
6	09180-06198	SPACER (6.2X12X16)	2	
7	15681-88L10	HOSE (SEPARATOR TO DLVY)	1	
8	09401-11425	CLIP	2	
9	09408-00174	CLAMP	1	

FIG.81

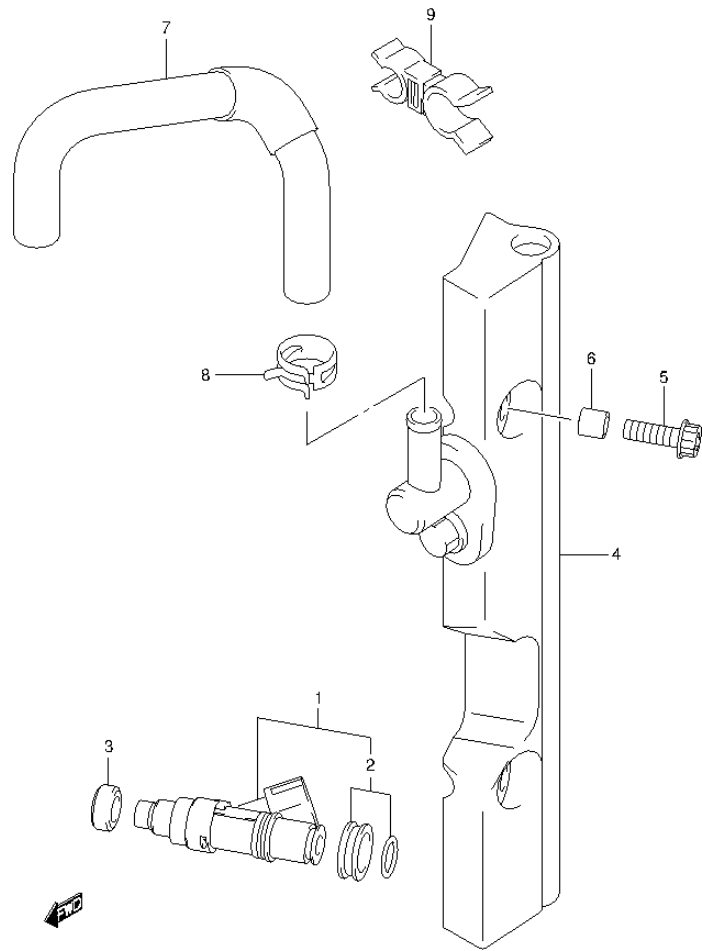


FIG.81 (1-I-3) FUEL INJECTOR (DF50A E01)

REF NO.	PART NO.	DESCRIPTION	Q'TY	REMARKS
1	15710-85K00	INJECTOR ASSY, FUEL	3	
2	15716-65DT0	.GROMMET SET	3	
3	09320-08062	CUSHION	3	
4	15750-88L10	PIPE, DELIVERY	1	
5	07120-06357	BOLT	2	
6	09180-06198	SPACER (6.2X12X16)	2	
7	15681-88L10	HOSE (SEPARATOR TO DLVY)	1	
8	09401-11425	CLIP	2	
9	09408-00174	CLAMP	1	

FIG.82

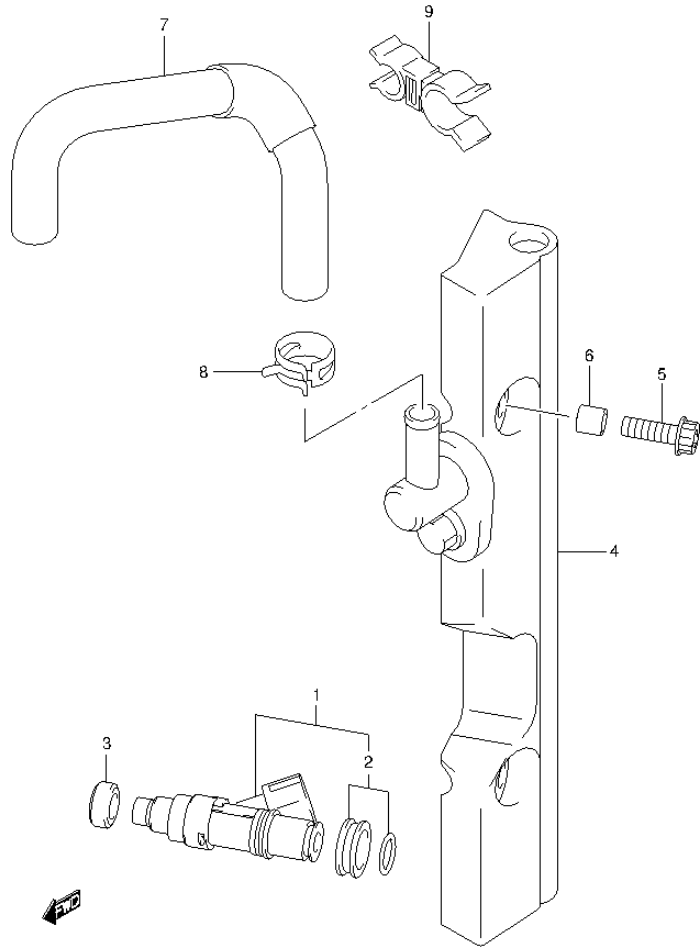


FIG.82 (1-I-4) FUEL INJECTOR (DF50ATH E01)

REF NO.	PART NO.	DESCRIPTION	Q'TY	REMARKS
1	15710-85K00	INJECTOR ASSY, FUEL	3	
2	15716-65DT0	.GROMMET SET	3	
3	09320-08062	CUSHION	3	
4	15750-88L10	PIPE, DELIVERY	1	
5	07120-06357	BOLT	2	
6	09180-06198	SPACER (6.2X12X16)	2	
7	15681-88L10	HOSE (SEPARATOR TO DLVY)	1	
8	09401-11425	CLIP	2	
9	09408-00174	CLAMP	1	

FIG.83

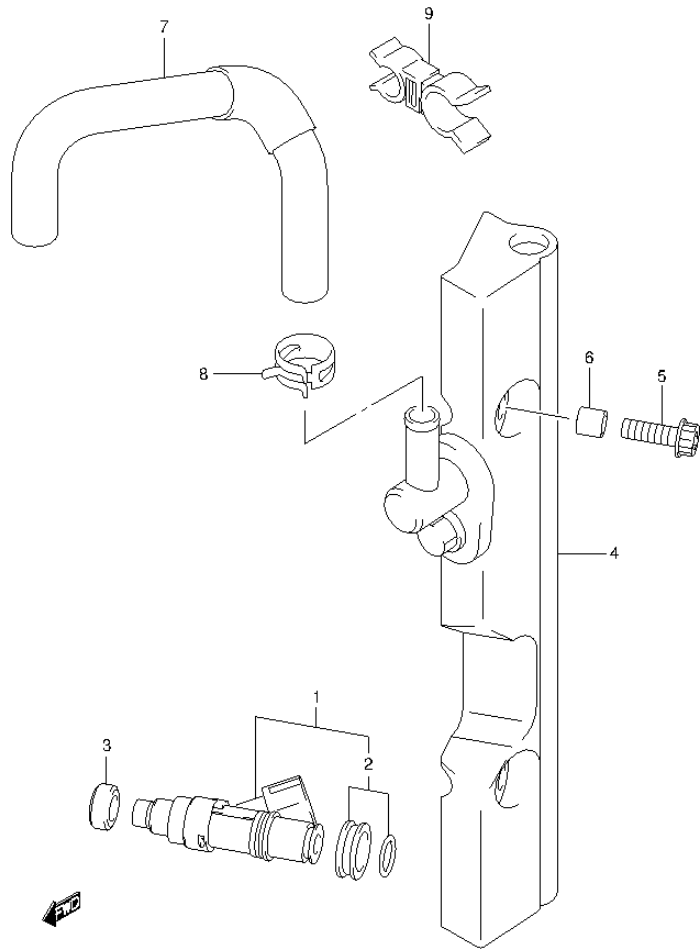


FIG.83 (1-I-5) FUEL INJECTOR (DF60A E01)

REF NO.	PART NO.	DESCRIPTION	Q'TY	REMARKS
1	15710-85K00	INJECTOR ASSY, FUEL	3	
2	15716-65DT0	.GROMMET SET	3	
3	09320-08062	CUSHION	3	
4	15750-88L10	PIPE, DELIVERY	1	
5	07120-06357	BOLT	2	
6	09180-06198	SPACER (6.2X12X16)	2	
7	15681-88L10	HOSE (SEPARATOR TO DLVY)	1	
8	09401-11425	CLIP	2	
9	09408-00174	CLAMP	1	

FIG.84

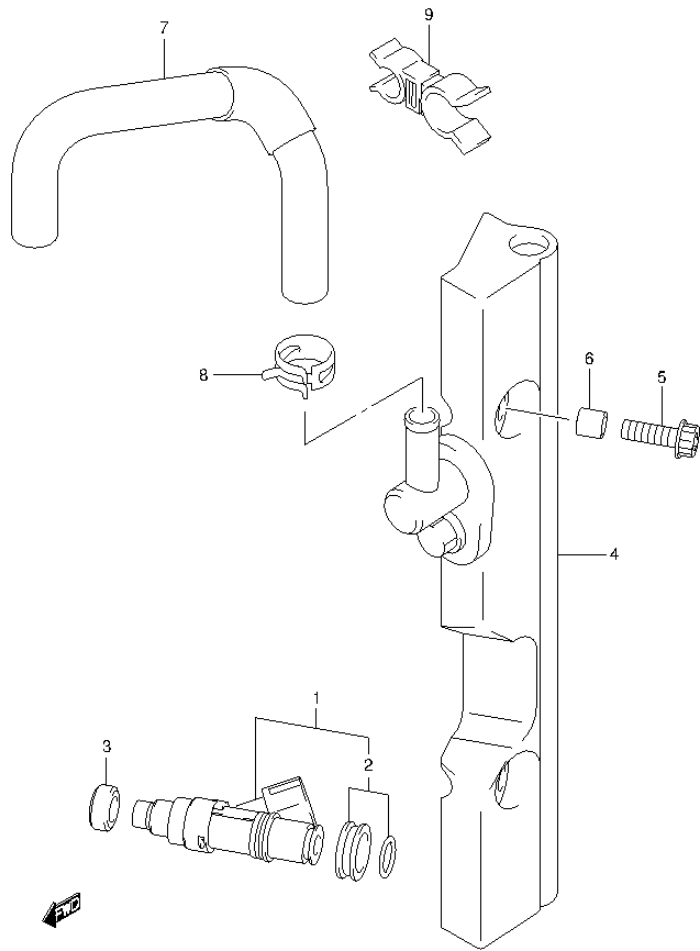


FIG.84 (1-I-6) FUEL INJECTOR (DF60A E40)

REF NO.	PART NO.	DESCRIPTION	Q'TY	REMARKS
1	15710-85K00	INJECTOR ASSY, FUEL	3	
2	15716-65DT0	.GROMMET SET	3	
3	09320-08062	CUSHION	3	
4	15750-88L20	PIPE, DELIVERY	1	
5	07120-06357	BOLT	2	
6	09180-06198	SPACER (6.2X12X16)	2	
7	15681-88L10	HOSE (SEPARATOR TO DLVY)	1	
8	09401-11425	CLIP	2	
9	09408-00174	CLAMP	1	

FIG.85

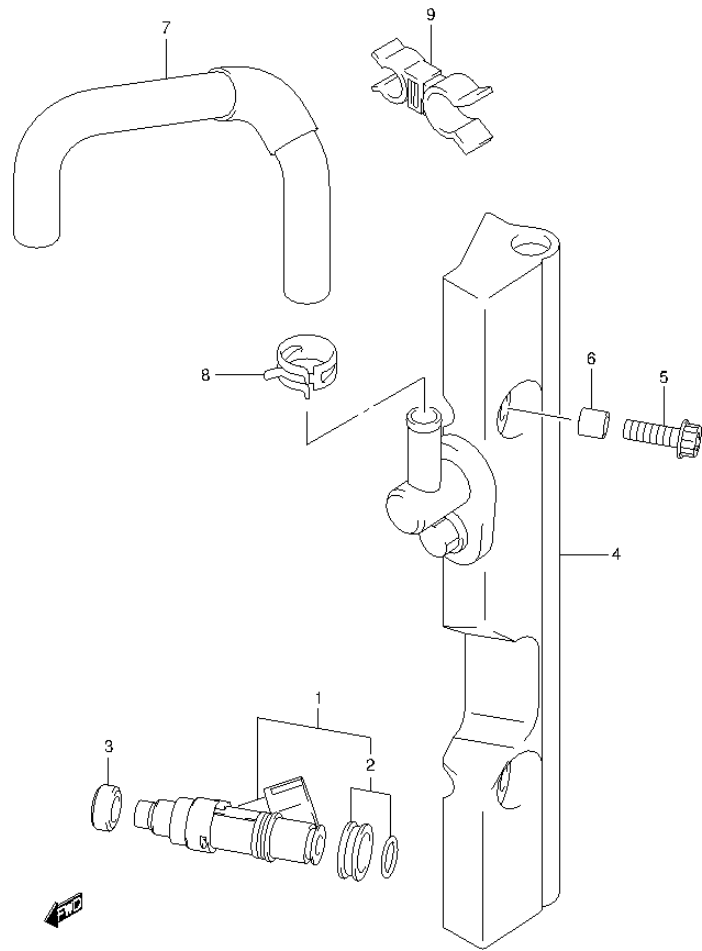


FIG.85 (1-I-7) FUEL INJECTOR (DF60AQH E01)

REF NO.	PART NO.	DESCRIPTION	Q'TY	REMARKS
1	15710-85K00	INJECTOR ASSY, FUEL	3	
2	15716-65DT0	.GROMMET SET	3	
3	09320-08062	CUSHION	3	
4	15750-88L10	PIPE, DELIVERY	1	
5	07120-06357	BOLT	2	
6	09180-06198	SPACER (6.2X12X16)	2	
7	15681-88L10	HOSE (SEPARATOR TO DLVY)	1	
8	09401-11425	CLIP	2	
9	09408-00174	CLAMP	1	

FIG.86

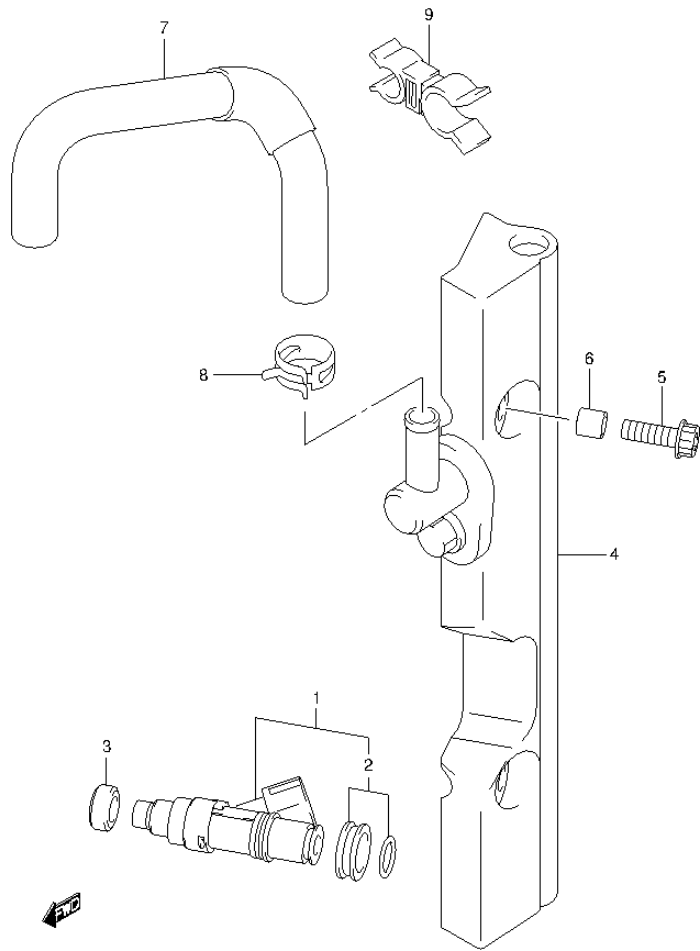


FIG.86 (1-1-8) FUEL INJECTOR (DF60AQH E40)

REF NO.	PART NO.	DESCRIPTION	Q'TY	REMARKS
1	15710-85K00	INJECTOR ASSY, FUEL	3	
2	15716-65DT0	.GROMMET SET	3	
3	09320-08062	CUSHION	3	
4	15750-88L20	PIPE, DELIVERY	1	
5	07120-06357	BOLT	2	
6	09180-06198	SPACER (6.2X12X16)	2	
7	15681-88L10	HOSE (SEPARATOR TO DLVY)	1	
8	09401-11425	CLIP	2	
9	09408-00174	CLAMP	1	

FIG.87

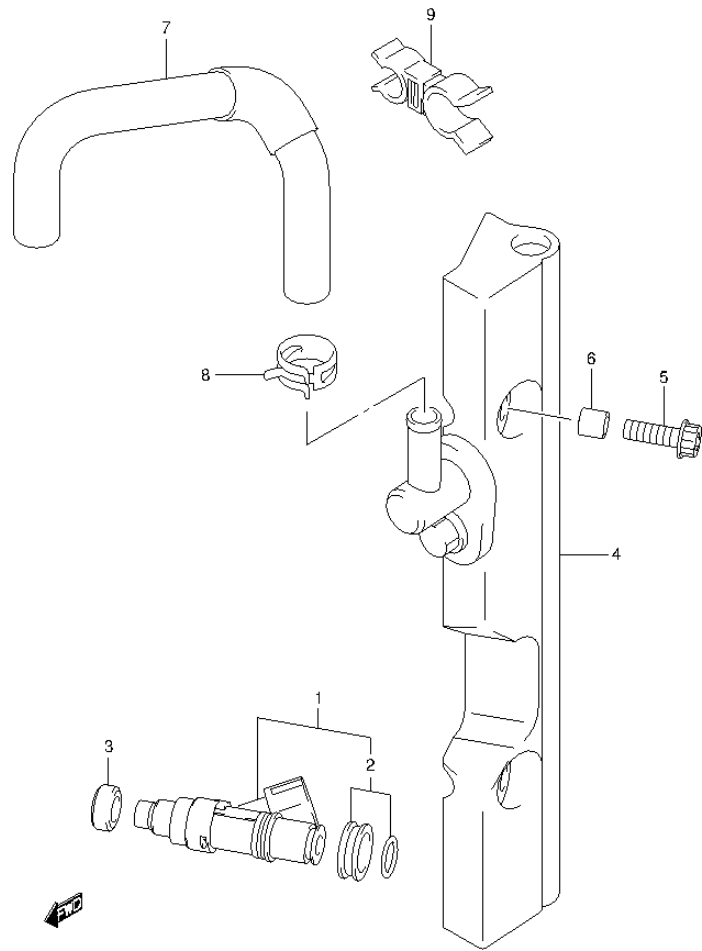


FIG.87 (1-I-9) FUEL INJECTOR (DF60ATH E01)

REF NO.	PART NO.	DESCRIPTION	Q'TY	REMARKS
1	15710-85K00	INJECTOR ASSY, FUEL	3	
2	15716-65DT0	.GROMMET SET	3	
3	09320-08062	CUSHION	3	
4	15750-88L10	PIPE, DELIVERY	1	
5	07120-06357	BOLT	2	
6	09180-06198	SPACER (6.2X12X16)	2	
7	15681-88L10	HOSE (SEPARATOR TO DLVY)	1	
8	09401-11425	CLIP	2	
9	09408-00174	CLAMP	1	

FIG.88

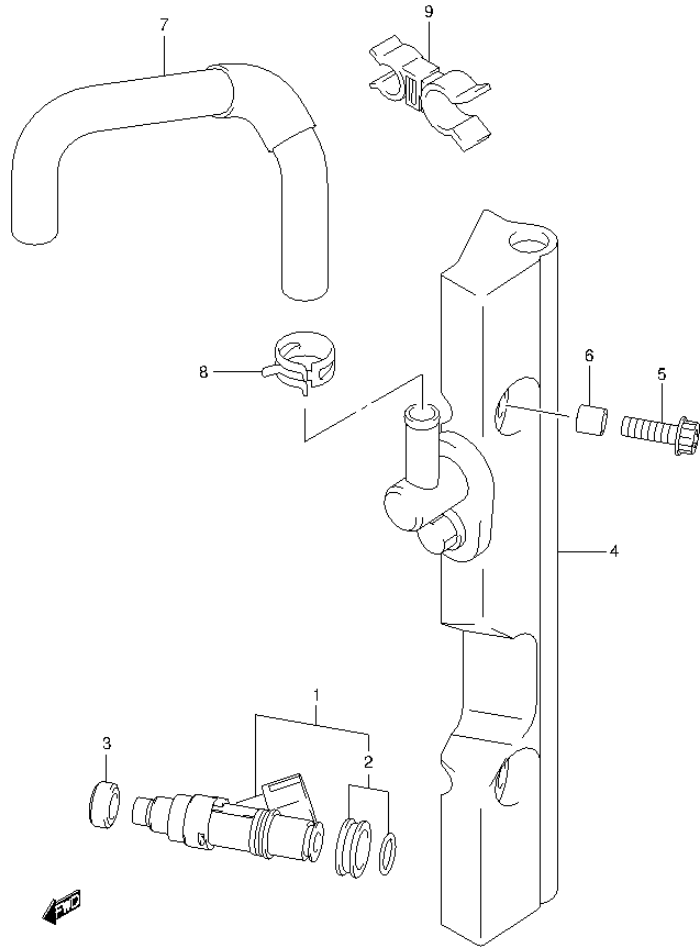


FIG.88 (1-I-10) FUEL INJECTOR (DF60ATH E40)

REF NO.	PART NO.	DESCRIPTION	Q'TY	REMARKS
1	15710-85K00	INJECTOR ASSY, FUEL	3	
2	15716-65DT0	.GROMMET SET	3	
3	09320-08062	CUSHION	3	
4	15750-88L20	PIPE, DELIVERY	1	
5	07120-06357	BOLT	2	
6	09180-06198	SPACER (6.2X12X16)	2	
7	15681-88L10	HOSE (SEPARATOR TO DLVY)	1	
8	09401-11425	CLIP	2	
9	09408-00174	CLAMP	1	

FIG.89

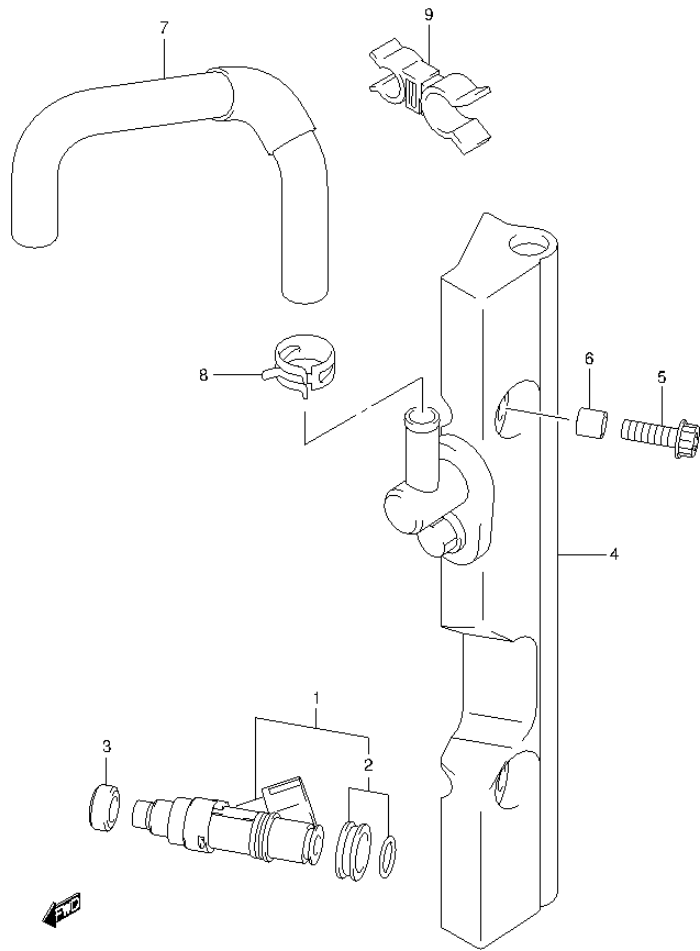


FIG.89 (1-I-11) FUEL INJECTOR (DF50AVT E01)

REF NO.	PART NO.	DESCRIPTION	Q'TY	REMARKS
1	15710-85K00	INJECTOR ASSY, FUEL	3	
2	15716-65DT0	.GROMMET SET	3	
3	09320-08062	CUSHION	3	
4	15750-88L10	PIPE, DELIVERY	1	
5	07120-06357	BOLT	2	
6	09180-06198	SPACER (6.2X12X16)	2	
7	15681-88L10	HOSE (SEPARATOR TO DLVY)	1	
8	09401-11425	CLIP	2	
9	09408-00174	CLAMP	1	

FIG.90

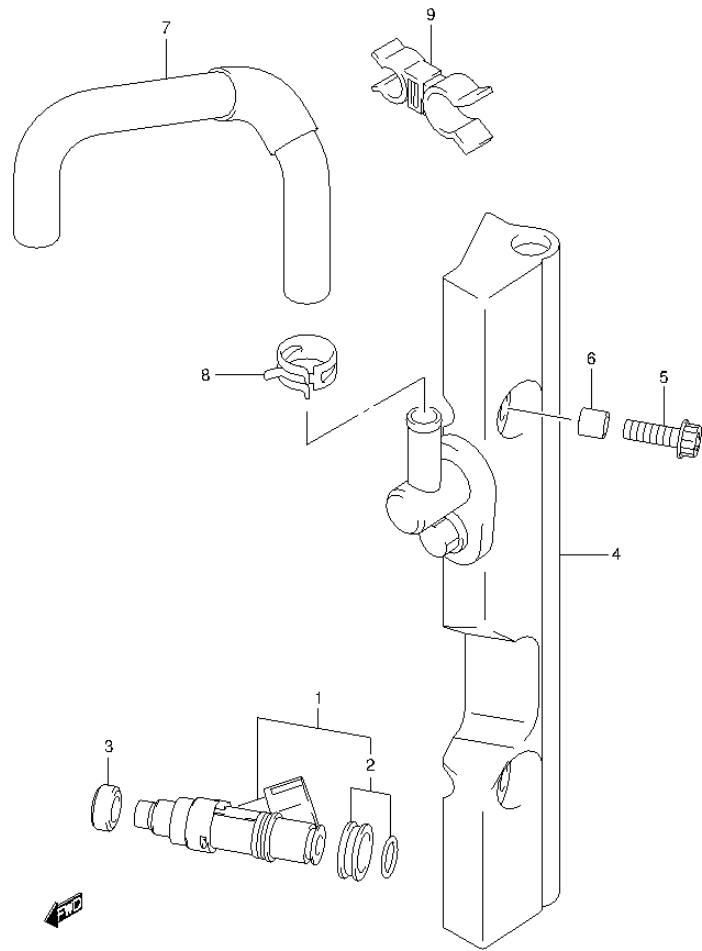


FIG.90 (1-I-12) FUEL INJECTOR (DF50AVTH E01)

REF NO.	PART NO.	DESCRIPTION	Q'TY	REMARKS
1	15710-85K00	INJECTOR ASSY, FUEL	3	
2	15716-65DT0	.GROMMET SET	3	
3	09320-08062	CUSHION	3	
4	15750-88L10	PIPE, DELIVERY	1	
5	07120-06357	BOLT	2	
6	09180-06198	SPACER (6.2X12X16)	2	
7	15681-88L10	HOSE (SEPARATOR TO DLVY)	1	
8	09401-11425	CLIP	2	
9	09408-00174	CLAMP	1	

FIG.91

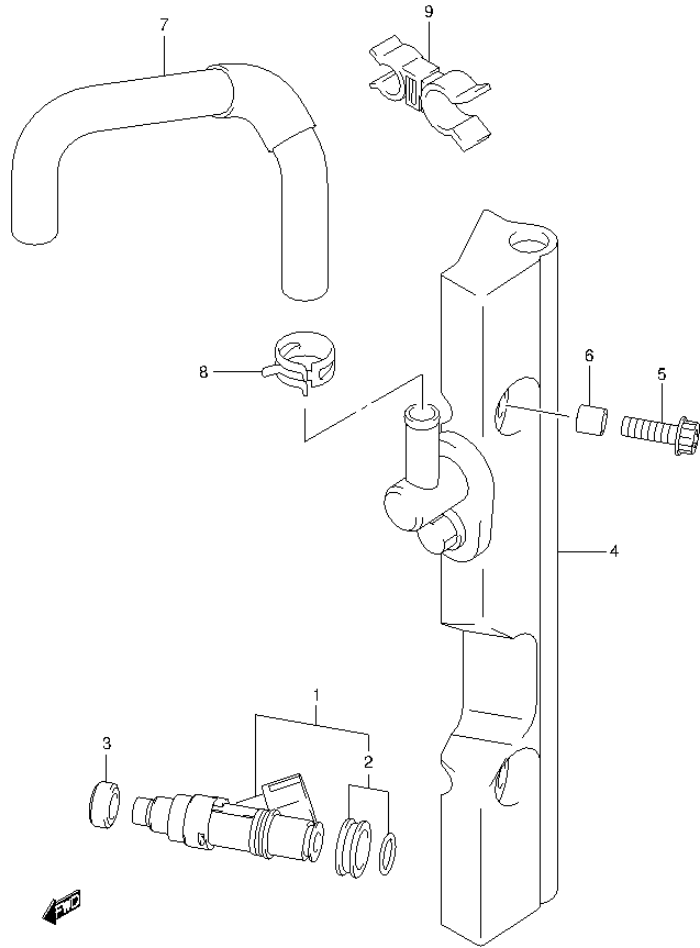


FIG.91 (1-I-13) FUEL INJECTOR (DF60AVT E01)

REF NO.	PART NO.	DESCRIPTION	Q'TY	REMARKS
1	15710-85K00	INJECTOR ASSY, FUEL	3	
2	15716-65DT0	.GROMMET SET	3	
3	09320-08062	CUSHION	3	
4	15750-88L10	PIPE, DELIVERY	1	
5	07120-06357	BOLT	2	
6	09180-06198	SPACER (6.2X12X16)	2	
7	15681-88L10	HOSE (SEPARATOR TO DLVY)	1	
8	09401-11425	CLIP	2	
9	09408-00174	CLAMP	1	

FIG.92

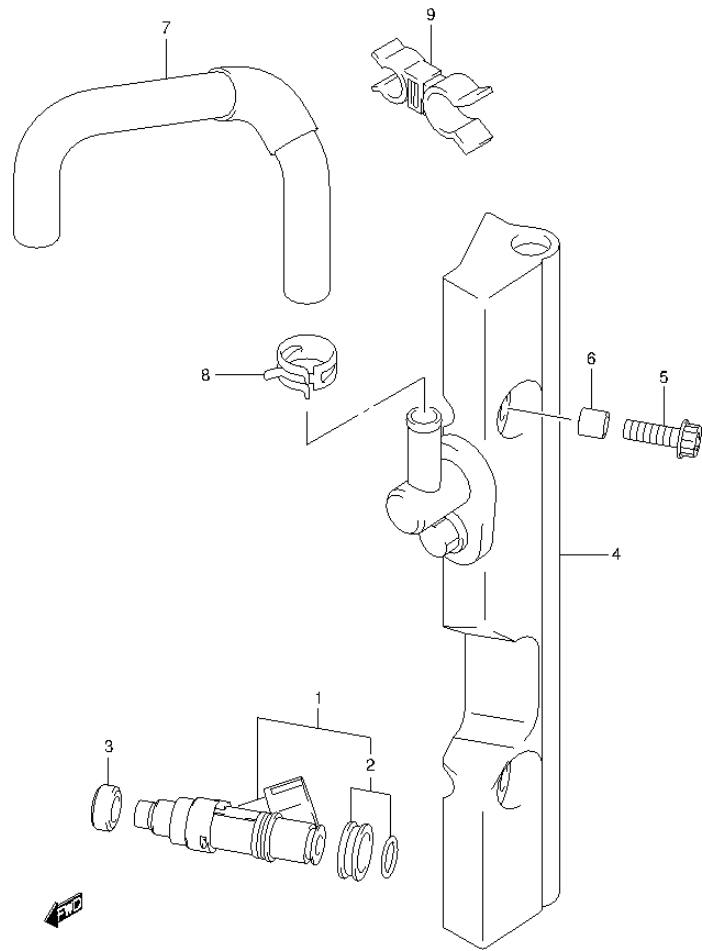


FIG.92 (1-I-14) FUEL INJECTOR (DF60AVT E40)

REF NO.	PART NO.	DESCRIPTION	Q'TY	REMARKS
1	15710-85K00	INJECTOR ASSY, FUEL	3	
2	15716-65DT0	.GROMMET SET	3	
3	09320-08062	CUSHION	3	
4	15750-88L20	PIPE, DELIVERY	1	
5	07120-06357	BOLT	2	
6	09180-06198	SPACER (6.2X12X16)	2	
7	15681-88L10	HOSE (SEPARATOR TO DLVY)	1	
8	09401-11425	CLIP	2	
9	09408-00174	CLAMP	1	

FIG.93

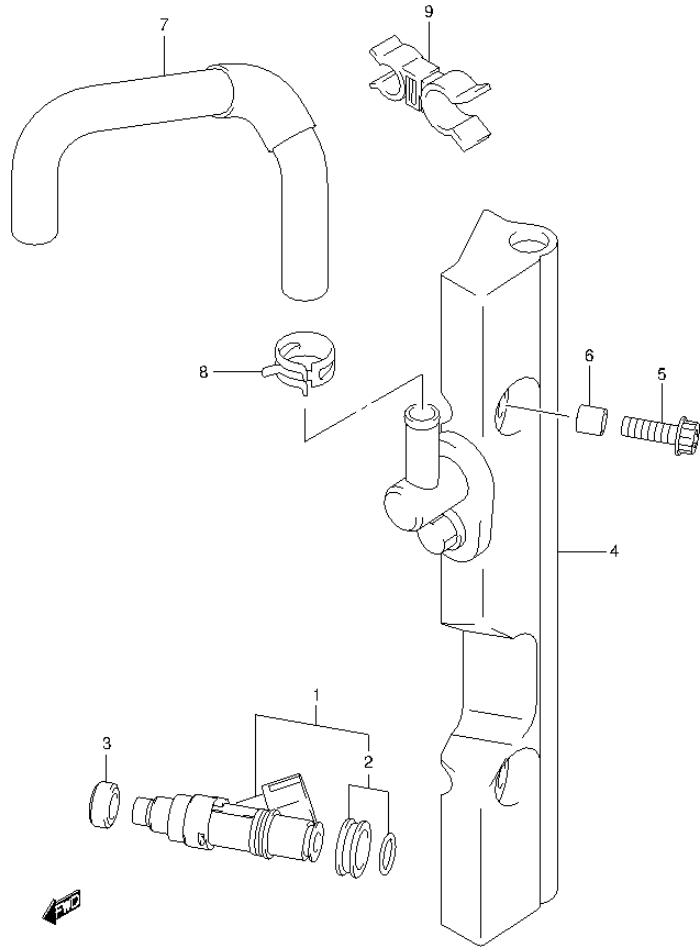


FIG.93 (1-I-15) FUEL INJECTOR (DF60AVTH E01)

REF NO.	PART NO.	DESCRIPTION	Q'TY	REMARKS
1	15710-85K00	INJECTOR ASSY, FUEL	3	
2	15716-65DT0	.GROMMET SET	3	
3	09320-08062	CUSHION	3	
4	15750-88L10	PIPE, DELIVERY	1	
5	07120-06357	BOLT	2	
6	09180-06198	SPACER (6.2X12X16)	2	
7	15681-88L10	HOSE (SEPARATOR TO DLVY)	1	
8	09401-11425	CLIP	2	
9	09408-00174	CLAMP	1	

FIG.94

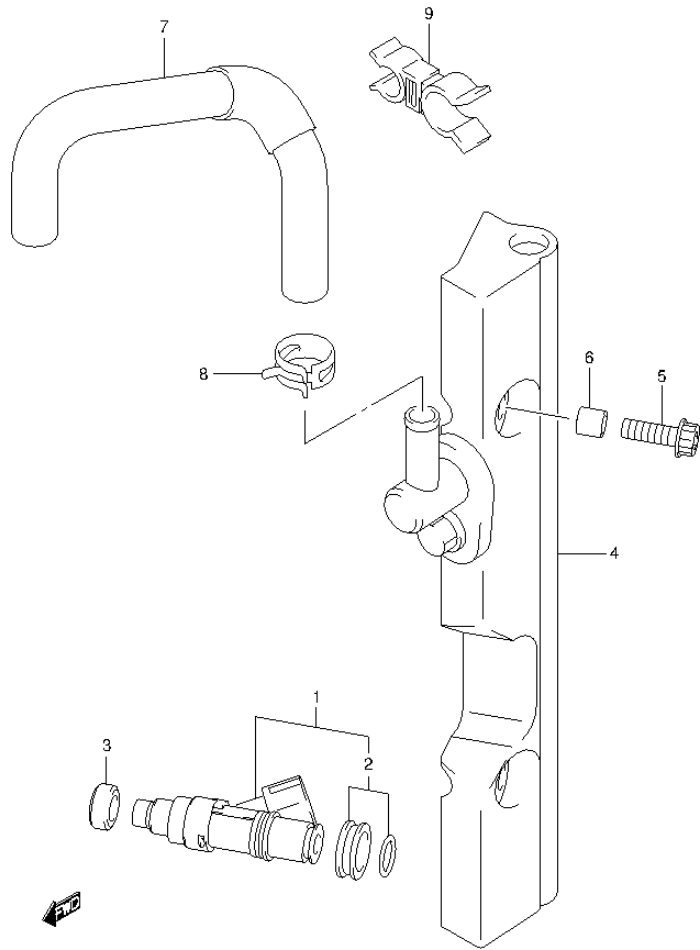


FIG.94 (1-J-2) FUEL INJECTOR (DF60AVTH E40)

REF NO.	PART NO.	DESCRIPTION	Q'TY	REMARKS
1	15710-85K00	INJECTOR ASSY, FUEL	3	
2	15716-65DT0	.GROMMET SET	3	
3	09320-08062	CUSHION	3	
4	15750-88L20	PIPE, DELIVERY	1	
5	07120-06357	BOLT	2	
6	09180-06198	SPACER (6.2X12X16)	2	
7	15681-88L10	HOSE (SEPARATOR TO DLVY)	1	
8	09401-11425	CLIP	2	
9	09408-00174	CLAMP	1	

FIG.95

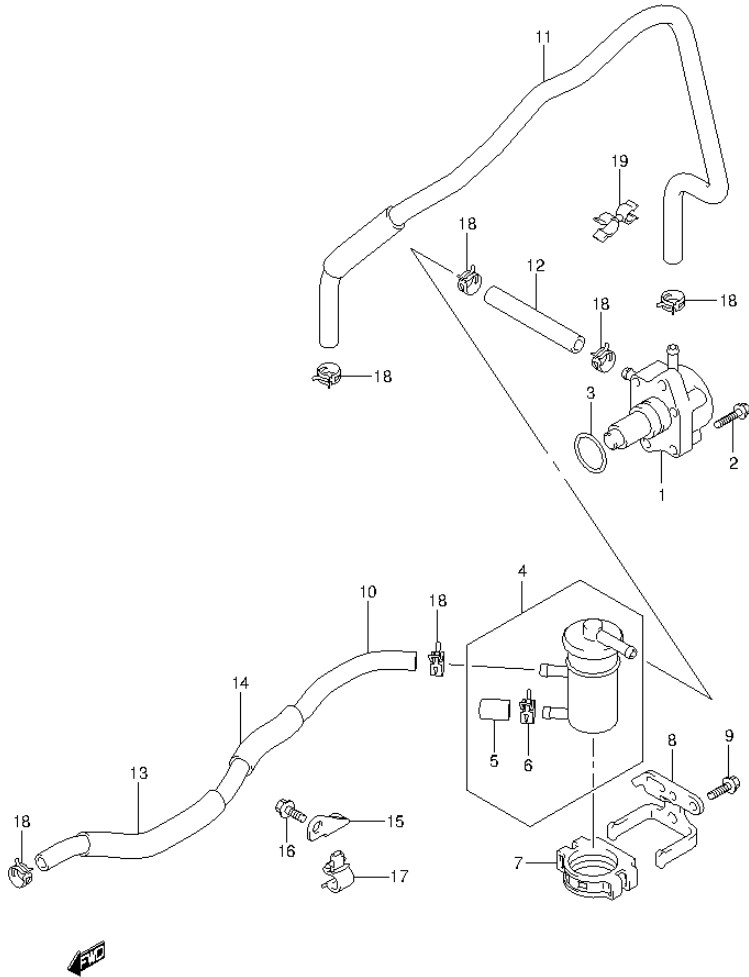


FIG.95 (1-J-3) FUEL PUMP

REF NO.	PART NO.	DESCRIPTION	Q'TY	REMARKS
1	15100-90J11	PUMP ASSY, FUEL	1	
2	01550-06257	BOLT	2	
3	09280-26005	O RING (D:2.4, ID:26.2)	1	
4	15410-88L00	FILTER, FUEL	1	
5	15419-87J00	.CAP, FUEL FILTER	1	
6	09401-11423	.CLIP	1	
7	15422-96J00	CLAMP, FILTER	1	
8	15421-88L00	BRACKET, FUEL FILTER	1	
9	01550-06167	BOLT	2	
10	15191-88L10	HOSE, FUEL (CONN TO FILTER)	1	
11	15192-88L20	HOSE, FUEL (PUMP TO SEPARATOR)	1	
12	09343-70503-080	HOSE (7X12X80)	1	
13	18498-99E10	PROTECTOR, FUEL HOSE NO.1	1	L:610->230
14	18498-96J20	PROTECTOR, FUEL HOSE NO.2	1	L:370->95
15	15197-88L00	BRACKET, FUEL HOSE CLAMP	1	
16	01550-06127	BOLT	1	
17	09403-11320	CLAMP	3	
18	09401-11423	CLIP	5	
19	09408-00145	CLIP	1	

FIG.96

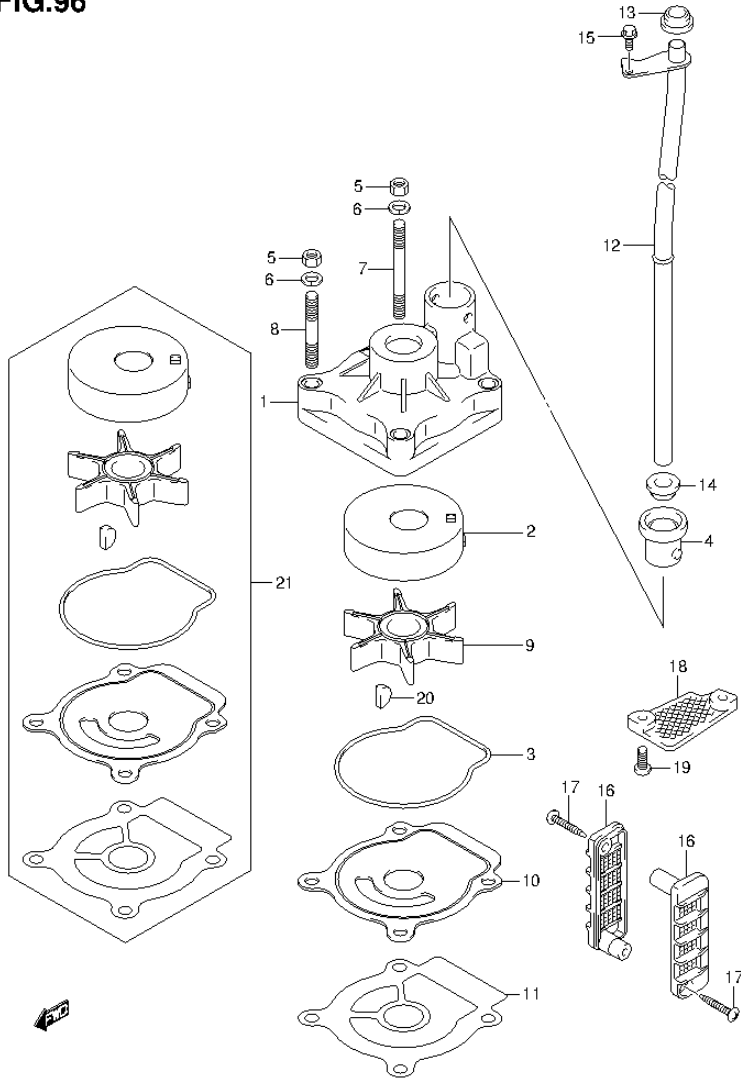


FIG.96 (1-J-4) WATER PUMP (DF40A E01)

REF NO.	PART NO.	DESCRIPTION	Q'TY	REMARKS
1	17410-88L00	CASE, WATER PUMP	1	
2	17413-95J00	SLEEVE, WATER PUMP CASE	1	
3	17416-95J00	SEALING, WATER PUMP CASE	1	
4	17564-88L00	BUSH, WATER PUMP CASE	1	
5	29141-93J00	NUT	4	
6	29162-93J00	WASHER, LOCK	4	
7	09108-06143	STUD BOLT	2	
8	09108-06144	STUD BOLT	2	
9	17461-96312	IMPELLER, WATER PUMP	1	
10	17471-95J01	PANEL, PUMP CASE UNDER	1	
11	17472-96303	GASKET, PUMP CASE UNDER	1	
12-1	17560-88L00	TUBE, WATER (S)	1	W/TRANSOM(S)
12-2	17560-88L10	TUBE, WATER (L)	1	W/TRANSOM(L)
13	17562-87L00	GROMMET, WATER TUBE UPPER	1	
14	17562-87L00	GROMMET, WATER TUBE LOWER	1	W/TRANSOM(L)
15	09116-06236	BOLT (6X16)	1	
16	17631-96320	FILTER, WATER	2	
17	03142-04309	SCREW	2	
18-1	17635-87E00	FILTER, SUB WATER	1	
18-2	17635-87E10	PLATE, GEAR CASE	1	OPT
19	09125-05046	SCREW (5X12)	2	
20	09420-04006	KEY	1	
21	17400-88L00	WATER PUMP REPAIR KIT	1	OPT

FIG.97

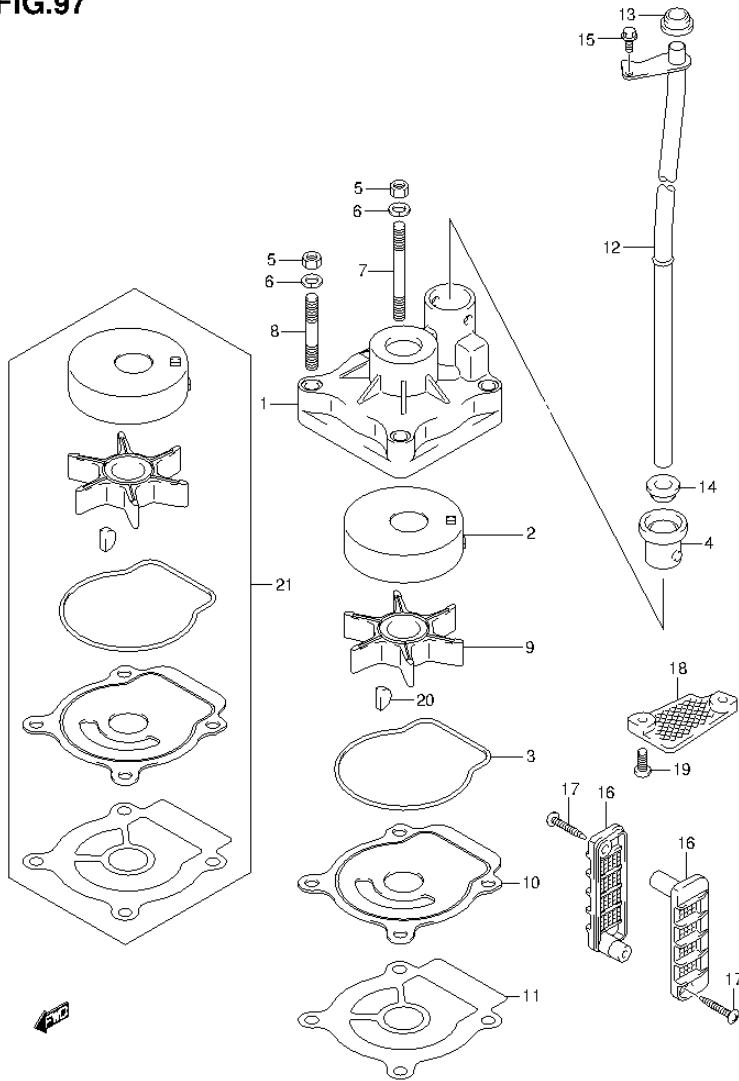


FIG.97 (1-J-5) WATER PUMP (DF40AQH E01)

REF NO.	PART NO.	DESCRIPTION	Q'TY	REMARKS
1	17410-88L00	CASE, WATER PUMP	1	
2	17413-95J00	SLEEVE, WATER PUMP CASE	1	
3	17416-95J00	SEALING, WATER PUMP CASE	1	
4	17564-88L00	BUSH, WATER PUMP CASE	1	
5	29141-93J00	NUT	4	
6	29162-93J00	WASHER, LOCK	4	
7	09108-06143	STUD BOLT	2	
8	09108-06144	STUD BOLT	2	
9	17461-96312	IMPELLER, WATER PUMP	1	
10	17471-95J01	PANEL, PUMP CASE UNDER	1	
11	17472-96303	GASKET, PUMP CASE UNDER	1	
12	17560-88L10	TUBE, WATER (L)	1	
13	17562-87L00	GROMMET, WATER TUBE UPPER	1	
14	17562-87L00	GROMMET, WATER TUBE LOWER	1	
15	09116-06236	BOLT (6X16)	1	
16	17631-96320	FILTER, WATER	2	
17	03142-04309	SCREW	2	
18-1	17635-87E00	FILTER, SUB WATER	1	
18-2	17635-87E10	PLATE, GEAR CASE	1	OPT
19	09125-05046	SCREW (5X12)	2	
20	09420-04006	KEY	1	
21	17400-88L00	WATER PUMP REPAIR KIT	1	OPT

FIG.98

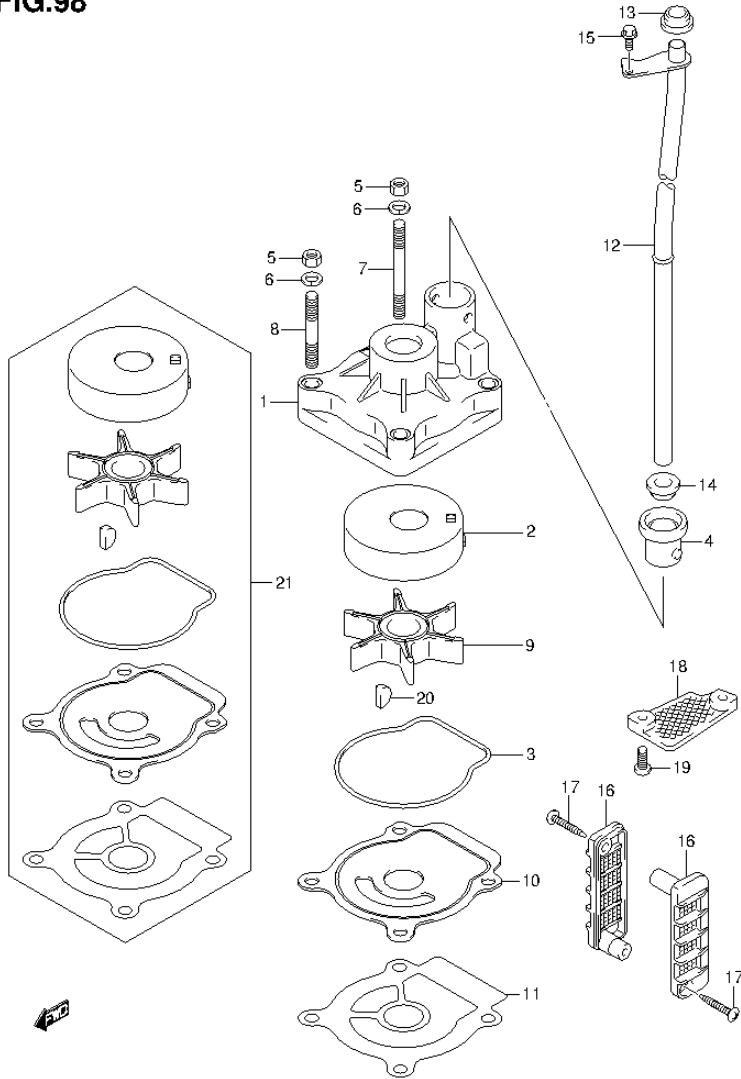


FIG.98 (1-J-6) WATER PUMP (DF40ATH E01)

REF NO.	PART NO.	DESCRIPTION	Q'TY	REMARKS
1	17410-88L00	CASE, WATER PUMP	1	
2	17413-95J00	SLEEVE, WATER PUMP CASE	1	
3	17416-95J00	SEALING, WATER PUMP CASE	1	
4	17564-88L00	BUSH, WATER PUMP CASE	1	
5	29141-93J00	NUT	4	
6	29162-93J00	WASHER, LOCK	4	
7	09108-06143	STUD BOLT	2	
8	09108-06144	STUD BOLT	2	
9	17461-96312	IMPELLER, WATER PUMP	1	
10	17471-95J01	PANEL, PUMP CASE UNDER	1	
11	17472-96303	GASKET, PUMP CASE UNDER	1	
12	17560-88L10	TUBE, WATER (L)	1	
13	17562-87L00	GROMMET, WATER TUBE UPPER	1	
14	17562-87L00	GROMMET, WATER TUBE LOWER	1	
15	09116-06236	BOLT (6X16)	1	
16	17631-96320	FILTER, WATER	2	
17	03142-04309	SCREW	2	
18-1	17635-87E00	FILTER, SUB WATER	1	
18-2	17635-87E10	PLATE, GEAR CASE	1	OPT
19	09125-05046	SCREW (5X12)	2	
20	09420-04006	KEY	1	
21	17400-88L00	WATER PUMP REPAIR KIT	1	OPT

FIG.99

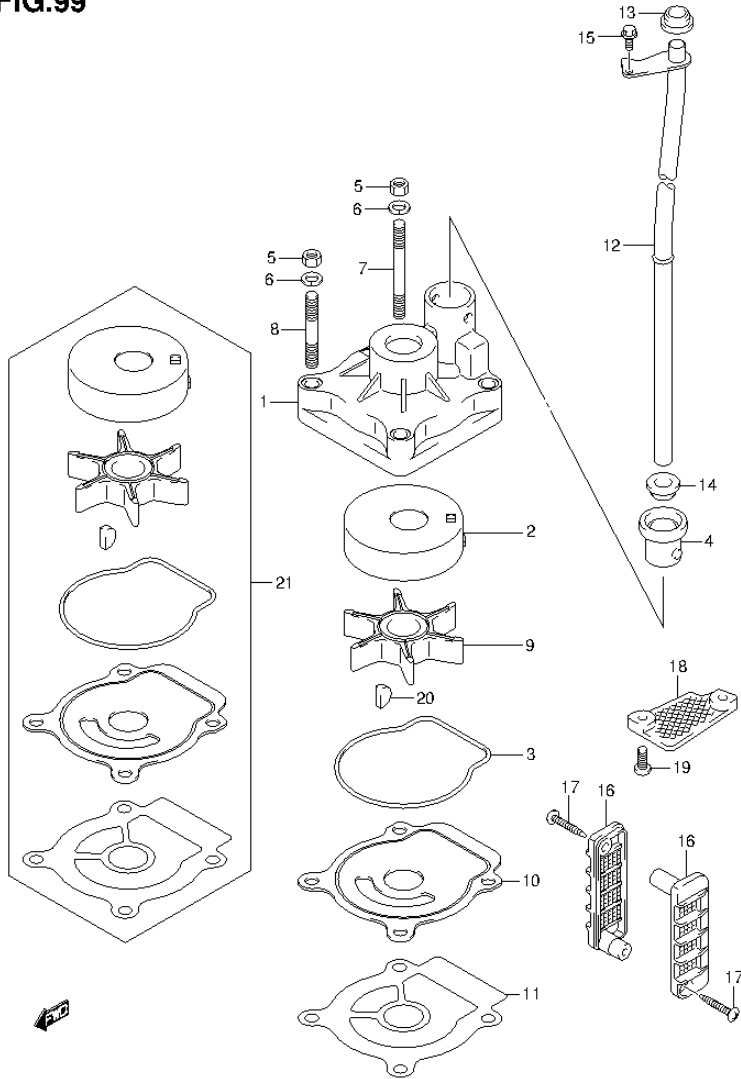


FIG.99 (1-J-7) WATER PUMP (DF40AST E34)

REF NO.	PART NO.	DESCRIPTION	Q'TY	REMARKS
1	17410-88L00	CASE, WATER PUMP	1	
2	17413-95J00	SLEEVE, WATER PUMP CASE	1	
3	17416-95J00	SEALING, WATER PUMP CASE	1	
4	17564-88L00	BUSH, WATER PUMP CASE	1	
5	29141-93J00	NUT	4	
6	29162-93J00	WASHER, LOCK	4	
7	09108-06143	STUD BOLT	2	
8	09108-06144	STUD BOLT	2	
9	17461-96312	IMPELLER, WATER PUMP	1	
10	17471-95J01	PANEL, PUMP CASE UNDER	1	
11	17472-96303	GASKET, PUMP CASE UNDER	1	
12-1	17560-88L00	TUBE, WATER (S)	1	W/TRANSOM(S)
12-2	17560-88L10	TUBE, WATER (L)	1	W/TRANSOM(L)
13	17562-87L00	GROMMET, WATER TUBE UPPER	1	
14	17562-87L00	GROMMET, WATER TUBE LOWER	1	W/TRANSOM(L)
15	09116-06236	BOLT (6X16)	1	
16	17631-96320	FILTER, WATER	2	
17	03142-04309	SCREW	2	
18-1	17635-87E00	FILTER, SUB WATER	1	
18-2	17635-87E10	PLATE, GEAR CASE	1	OPT
19	09125-05046	SCREW (5X12)	2	
20	09420-04006	KEY	1	
21	17400-88L00	WATER PUMP REPAIR KIT	1	OPT

FIG.100

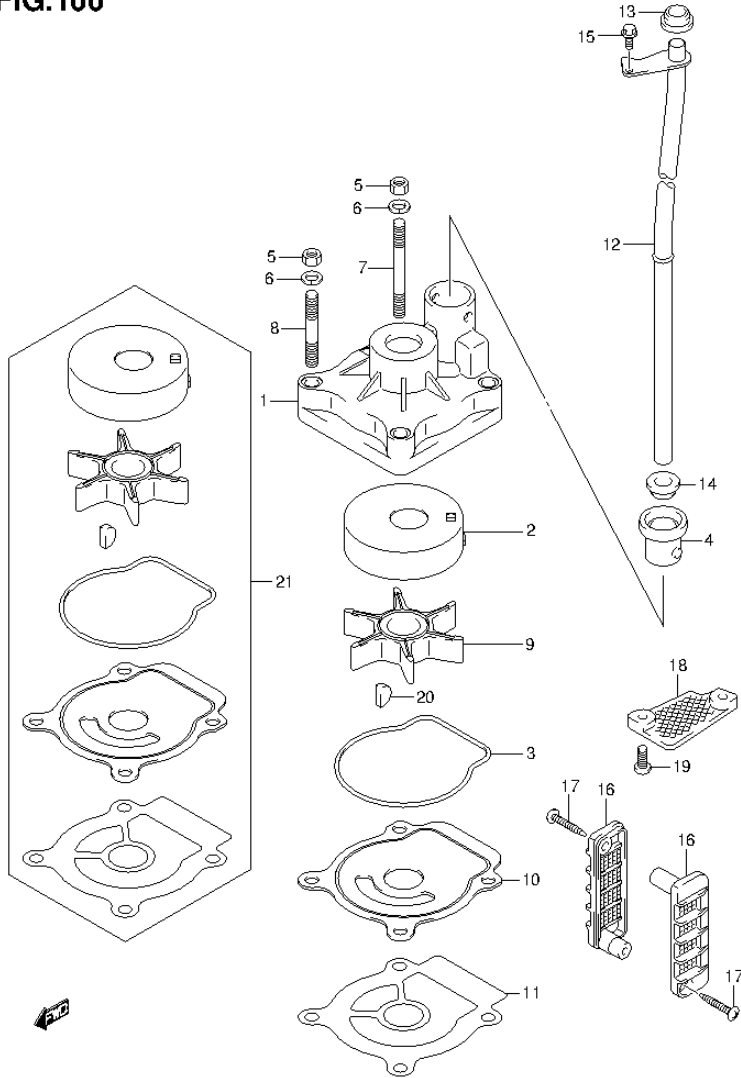


FIG.100 (1-J-8) WATER PUMP (DF50A E01)

REF NO.	PART NO.	DESCRIPTION	Q'TY	REMARKS
1	17410-88L00	CASE, WATER PUMP	1	
2	17413-95J00	SLEEVE, WATER PUMP CASE	1	
3	17416-95J00	SEALING, WATER PUMP CASE	1	
4	17564-88L00	BUSH, WATER PUMP CASE	1	
5	29141-93J00	NUT	4	
6	29162-93J00	WASHER, LOCK	4	
7	09108-06143	STUD BOLT	2	
8	09108-06144	STUD BOLT	2	
9	17461-96312	IMPELLER, WATER PUMP	1	
10	17471-95J01	PANEL, PUMP CASE UNDER	1	
11	17472-96303	GASKET, PUMP CASE UNDER	1	
12-1	17560-88L00	TUBE, WATER (S)	1	W/TRANSOM(S)
12-2	17560-88L10	TUBE, WATER (L)	1	W/TRANSOM(L)
13	17562-87L00	GROMMET, WATER TUBE UPPER	1	
14	17562-87L00	GROMMET, WATER TUBE LOWER	1	W/TRANSOM(L)
15	09116-06236	BOLT (6X16)	1	
16	17631-96320	FILTER, WATER	2	
17	03142-04309	SCREW	2	
18-1	17635-87E00	FILTER, SUB WATER	1	
18-2	17635-87E10	PLATE, GEAR CASE	1	OPT
19	09125-05046	SCREW (5X12)	2	
20	09420-04006	KEY	1	
21	17400-88L00	WATER PUMP REPAIR KIT	1	OPT

FIG.101

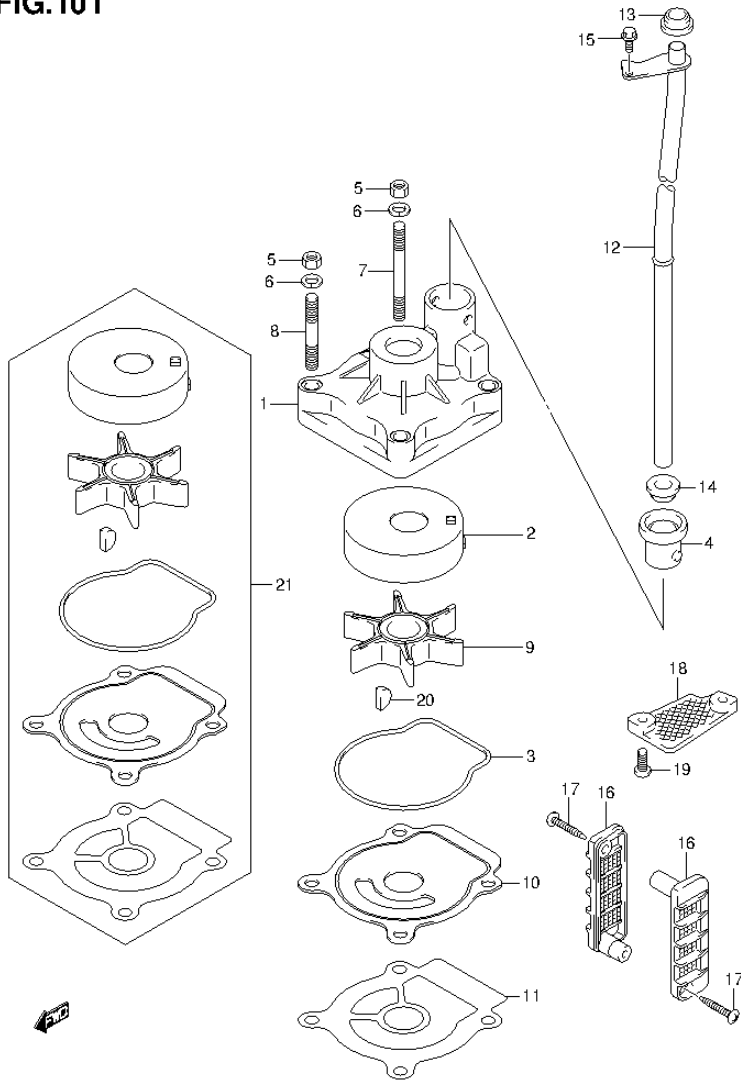


FIG.101 (1-J-9) WATER PUMP (DF50ATH E01)

REF NO.	PART NO.	DESCRIPTION	Q'TY	REMARKS
1	17410-88L00	CASE, WATER PUMP	1	
2	17413-95J00	SLEEVE, WATER PUMP CASE	1	
3	17416-95J00	SEALING, WATER PUMP CASE	1	
4	17564-88L00	BUSH, WATER PUMP CASE	1	
5	29141-93J00	NUT	4	
6	29162-93J00	WASHER, LOCK	4	
7	09108-06143	STUD BOLT	2	
8	09108-06144	STUD BOLT	2	
9	17461-96312	IMPELLER, WATER PUMP	1	
10	17471-95J01	PANEL, PUMP CASE UNDER	1	
11	17472-96303	GASKET, PUMP CASE UNDER	1	
12	17560-88L10	TUBE, WATER (L)	1	
13	17562-87L00	GROMMET, WATER TUBE UPPER	1	
14	17562-87L00	GROMMET, WATER TUBE LOWER	1	
15	09116-06236	BOLT (6X16)	1	
16	17631-96320	FILTER, WATER	2	
17	03142-04309	SCREW	2	
18-1	17635-87E00	FILTER, SUB WATER	1	
18-2	17635-87E10	PLATE, GEAR CASE	1	OPT
19	09125-05046	SCREW (5X12)	2	
20	09420-04006	KEY	1	
21	17400-88L00	WATER PUMP REPAIR KIT	1	OPT

FIG.102

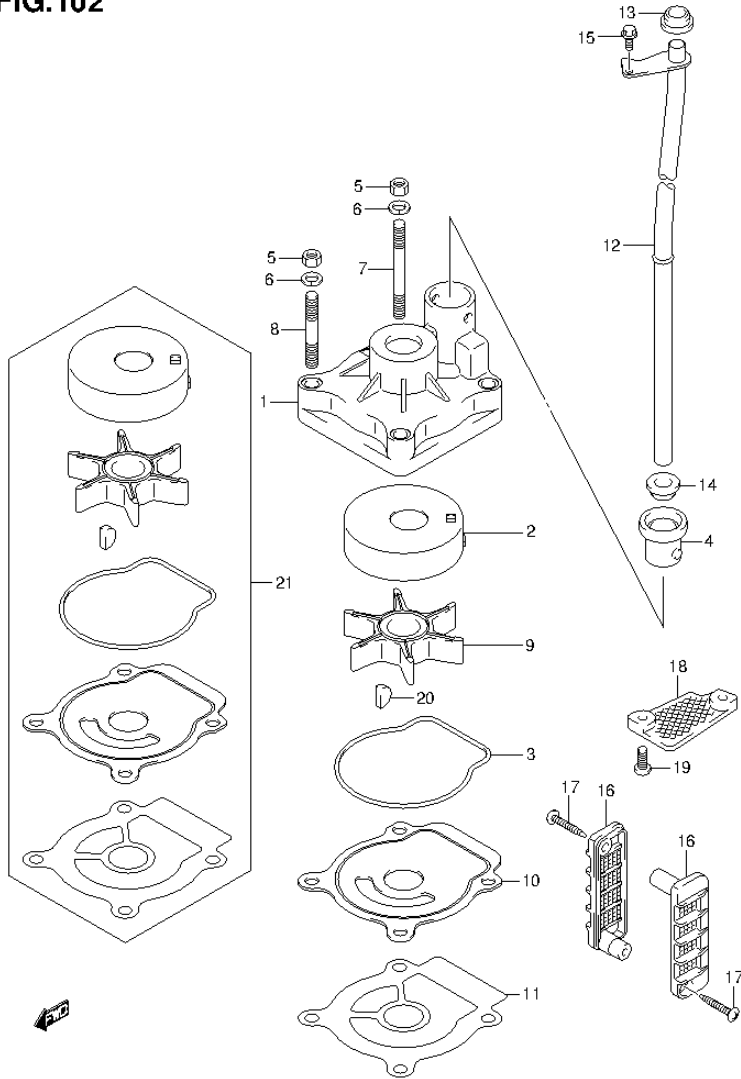


FIG.102 (1-J-10) WATER PUMP (DF60A E01)

REF NO.	PART NO.	DESCRIPTION	Q'TY	REMARKS
1	17410-88L00	CASE, WATER PUMP	1	
2	17413-95J00	SLEEVE, WATER PUMP CASE	1	
3	17416-95J00	SEALING, WATER PUMP CASE	1	
4	17564-88L00	BUSH, WATER PUMP CASE	1	
5	29141-93J00	NUT	4	
6	29162-93J00	WASHER, LOCK	4	
7	09108-06143	STUD BOLT	2	
8	09108-06144	STUD BOLT	2	
9	17461-96312	IMPELLER, WATER PUMP	1	
10	17471-95J01	PANEL, PUMP CASE UNDER	1	
11	17472-96303	GASKET, PUMP CASE UNDER	1	
12-1	17560-88L00	TUBE, WATER (S)	1	W/TRANSOM(S)
12-2	17560-88L10	TUBE, WATER (L)	1	W/TRANSOM(L)
12-3	17560-88L20	TUBE, WATER (X)	1	W/TRANSOM(X)
13	17562-87L00	GROMMET, WATER TUBE UPPER	1	
14	17562-87L00	GROMMET, WATER TUBE LOWER	1	W/TRANSOM(L) W/TRANSOM(X)
15	09116-06236	BOLT (6X16)	1	
16	17631-96320	FILTER, WATER	2	
17	03142-04309	SCREW	2	
18-1	17635-87E00	FILTER, SUB WATER	1	
18-2	17635-87E10	PLATE, GEAR CASE	1	OPT
19	09125-05046	SCREW (5X12)	2	
20	09420-04006	KEY	1	
21	17400-88L00	WATER PUMP REPAIR KIT	1	OPT

FIG.103

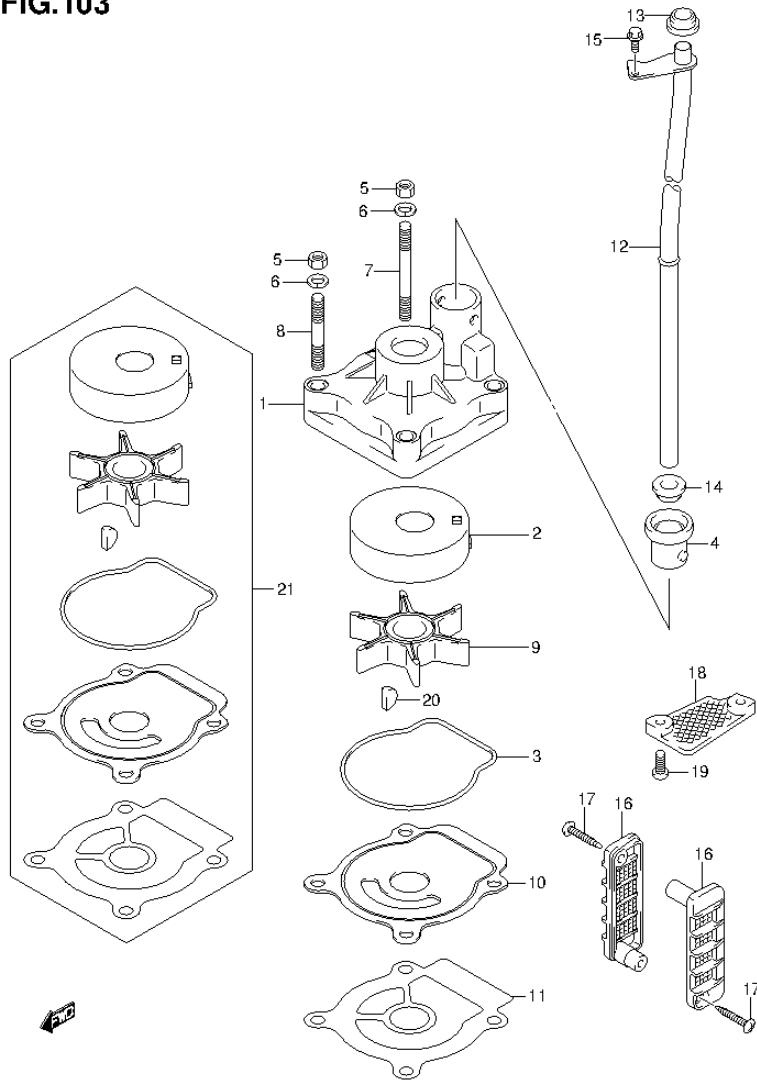


FIG.103 (1-J-11) WATER PUMP (DF60A E40)

REF NO.	PART NO.	DESCRIPTION	Q'TY	REMARKS
1	17410-88L00	CASE, WATER PUMP	1	
2	17413-95J10	SLEEVE, WATER PUMP CASE	1	
3	17416-95J00	SEALING, WATER PUMP CASE	1	
4	17564-88L00	BUSH, WATER PUMP CASE	1	
5	29141-93J00	NUT	4	
6	29162-93J00	WASHER, LOCK	4	
7	09108-06143	STUD BOLT	2	
8	09108-06144	STUD BOLT	2	
9	17461-96312	IMPELLER, WATER PUMP	1	
10	17471-95J10	PANEL, PUMP CASE UNDER	1	
11	17472-96303	GASKET, PUMP CASE UNDER	1	
12-1	17560-88L10	TUBE, WATER (L)	1	W/TRANSOM(L)
12-2	17560-88L20	TUBE, WATER (X)	1	W/TRANSOM(X)
13	17562-87L00	GROMMET, WATER TUBE UPPER	1	
14	17562-87L00	GROMMET, WATER TUBE LOWER	1	W/TRANSOM(L) W/TRANSOM(X)
15	09116-06236	BOLT (6X16)	1	
16	17631-96320	FILTER, WATER	2	
17	03142-04309	SCREW	2	
18-1	17635-87E00	FILTER, SUB WATER	1	
18-2	17635-87E10	PLATE, GEAR CASE	1	OPT
19	09125-05046	SCREW (5X12)	2	
20	09420-04006	KEY	1	
21	17400-88L00	WATER PUMP REPAIR KIT	1	OPT

FIG.104

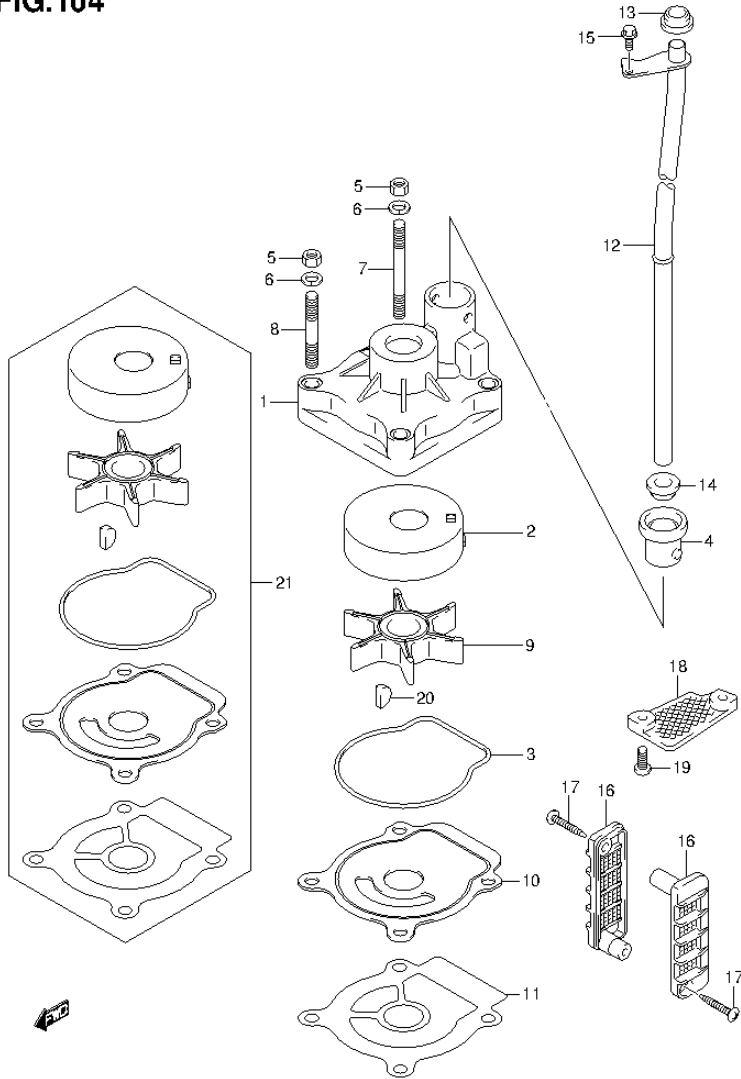


FIG.104 (1-J-12) WATER PUMP (DF60AQH E01)

REF NO.	PART NO.	DESCRIPTION	Q'TY	REMARKS
1	17410-88L00	CASE, WATER PUMP	1	
2	17413-95J00	SLEEVE, WATER PUMP CASE	1	
3	17416-95J00	SEALING, WATER PUMP CASE	1	
4	17564-88L00	BUSH, WATER PUMP CASE	1	
5	29141-93J00	NUT	4	
6	29162-93J00	WASHER, LOCK	4	
7	09108-06143	STUD BOLT	2	
8	09108-06144	STUD BOLT	2	
9	17461-96312	IMPELLER, WATER PUMP	1	
10	17471-95J01	PANEL, PUMP CASE UNDER	1	
11	17472-96303	GASKET, PUMP CASE UNDER	1	
12-1	17560-88L10	TUBE, WATER (L)	1	W/TRANSOM(L)
12-2	17560-88L20	TUBE, WATER (X)	1	W/TRANSOM(X)
13	17562-87L00	GROMMET, WATER TUBE UPPER	1	
14	17562-87L00	GROMMET, WATER TUBE LOWER	1	W/TRANSOM(L) W/TRANSOM(X)
15	09116-06236	BOLT (6X16)	1	
16	17631-96320	FILTER, WATER	2	
17	03142-04309	SCREW	2	
18-1	17635-87E00	FILTER, SUB WATER	1	
18-2	17635-87E10	PLATE, GEAR CASE	1	OPT
19	09125-05046	SCREW (5X12)	2	
20	09420-04006	KEY	1	
21	17400-88L00	WATER PUMP REPAIR KIT	1	OPT

FIG.105

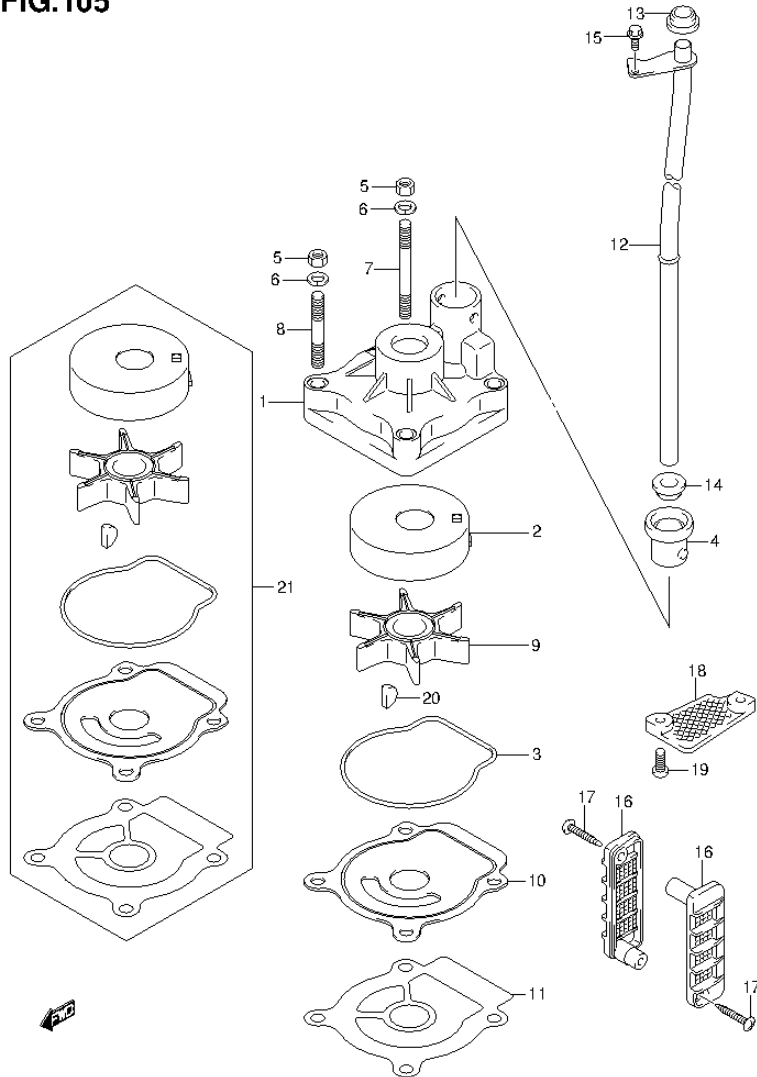


FIG.105 (1-J-13) WATER PUMP (DF60AQH E40)

REF NO.	PART NO.	DESCRIPTION	Q'TY	REMARKS
1	17410-88L00	CASE, WATER PUMP	1	
2	17413-95J10	SLEEVE, WATER PUMP CASE	1	
3	17416-95J00	SEALING, WATER PUMP CASE	1	
4	17564-88L00	BUSH, WATER PUMP CASE	1	
5	29141-93J00	NUT	4	
6	29162-93J00	WASHER, LOCK	4	
7	09108-06143	STUD BOLT	2	
8	09108-06144	STUD BOLT	2	
9	17461-96312	IMPELLER, WATER PUMP	1	
10	17471-95J10	PANEL, PUMP CASE UNDER	1	
11	17472-96303	GASKET, PUMP CASE UNDER	1	
12-1	17560-88L10	TUBE, WATER (L)	1	W/TRANSOM(L)
12-2	17560-88L20	TUBE, WATER (X)	1	W/TRANSOM(X)
13	17562-87L00	GROMMET, WATER TUBE UPPER	1	
14	17562-87L00	GROMMET, WATER TUBE LOWER	1	W/TRANSOM(L) W/TRANSOM(X)
15	09116-06236	BOLT (6X16)	1	
16	17631-96320	FILTER, WATER	2	
17	03142-04309	SCREW	2	
18-1	17635-87E00	FILTER, SUB WATER	1	
18-2	17635-87E10	PLATE, GEAR CASE	1	OPT
19	09125-05046	SCREW (5X12)	2	
20	09420-04006	KEY	1	
21	17400-88L00	WATER PUMP REPAIR KIT	1	OPT

FIG.106

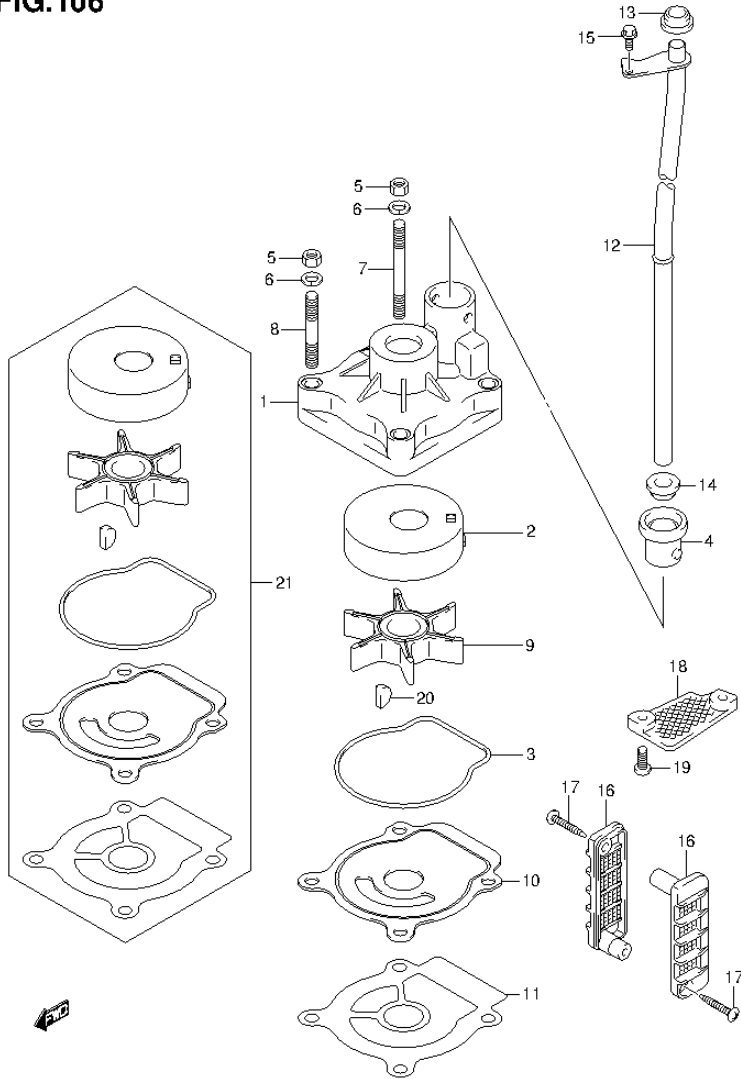


FIG.106 (1-J-14) WATER PUMP (DF60ATH E01)

REF NO.	PART NO.	DESCRIPTION	Q'TY	REMARKS
1	17410-88L00	CASE, WATER PUMP	1	
2	17413-95J00	SLEEVE, WATER PUMP CASE	1	
3	17416-95J00	SEALING, WATER PUMP CASE	1	
4	17564-88L00	BUSH, WATER PUMP CASE	1	
5	29141-93J00	NUT	4	
6	29162-93J00	WASHER, LOCK	4	
7	09108-06143	STUD BOLT	2	
8	09108-06144	STUD BOLT	2	
9	17461-96312	IMPELLER, WATER PUMP	1	
10	17471-95J01	PANEL, PUMP CASE UNDER	1	
11	17472-96303	GASKET, PUMP CASE UNDER	1	
12-1	17560-88L10	TUBE, WATER (L)	1	W/TRANSOM(L)
12-2	17560-88L20	TUBE, WATER (X)	1	W/TRANSOM(X)
13	17562-87L00	GROMMET, WATER TUBE UPPER	1	
14	17562-87L00	GROMMET, WATER TUBE LOWER	1	W/TRANSOM(L) W/TRANSOM(X)
15	09116-06236	BOLT (6X16)	1	
16	17631-96320	FILTER, WATER	2	
17	03142-04309	SCREW	2	
18-1	17635-87E00	FILTER, SUB WATER	1	
18-2	17635-87E10	PLATE, GEAR CASE	1	OPT
19	09125-05046	SCREW (5X12)	2	
20	09420-04006	KEY	1	
21	17400-88L00	WATER PUMP REPAIR KIT	1	OPT

FIG.107

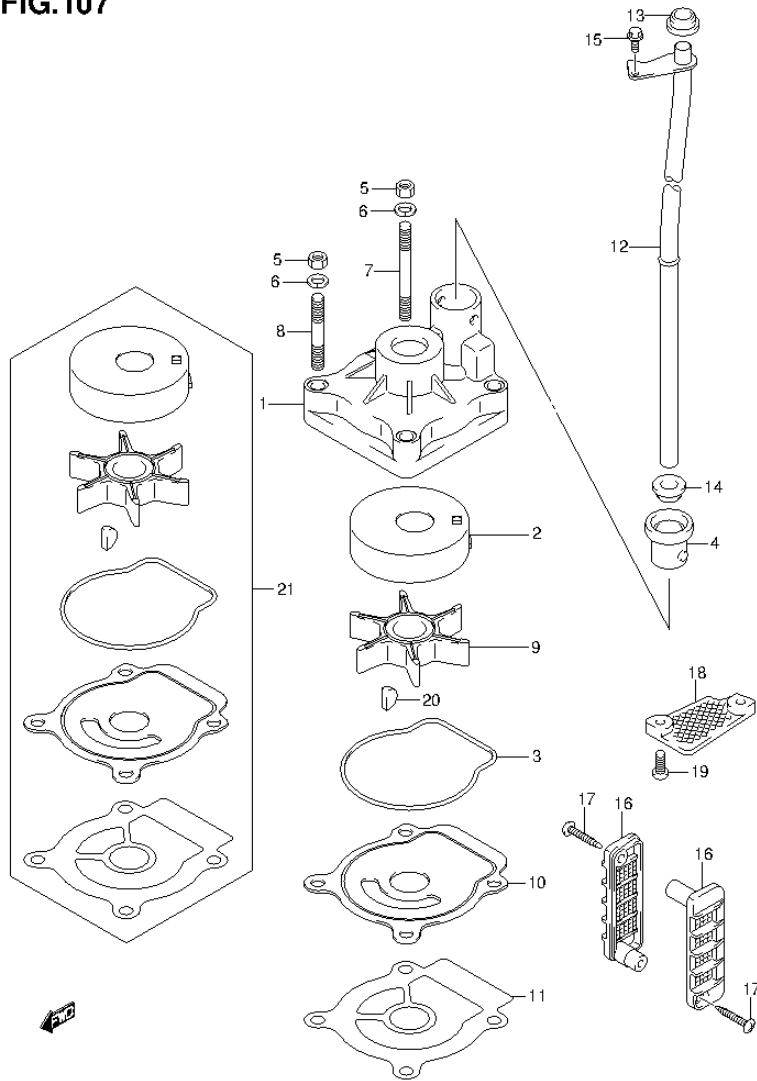


FIG.107 (1-J-15) WATER PUMP (DF60ATH E40)

REF NO.	PART NO.	DESCRIPTION	Q'TY	REMARKS
1	17410-88L00	CASE, WATER PUMP	1	
2	17413-95J10	SLEEVE, WATER PUMP CASE	1	
3	17416-95J00	SEALING, WATER PUMP CASE	1	
4	17564-88L00	BUSH, WATER PUMP CASE	1	
5	29141-93J00	NUT	4	
6	29162-93J00	WASHER, LOCK	4	
7	09108-06143	STUD BOLT	2	
8	09108-06144	STUD BOLT	2	
9	17461-96312	IMPELLER, WATER PUMP	1	
10	17471-95J10	PANEL, PUMP CASE UNDER	1	
11	17472-96303	GASKET, PUMP CASE UNDER	1	
12-1	17560-88L10	TUBE, WATER (L)	1	W/TRANSOM(L)
12-2	17560-88L20	TUBE, WATER (X)	1	W/TRANSOM(X)
13	17562-87L00	GROMMET, WATER TUBE UPPER	1	
14	17562-87L00	GROMMET, WATER TUBE LOWER	1	W/TRANSOM(L) W/TRANSOM(X)
15	09116-06236	BOLT (6X16)	1	
16	17631-96320	FILTER, WATER	2	
17	03142-04309	SCREW	2	
18-1	17635-87E00	FILTER, SUB WATER	1	
18-2	17635-87E10	PLATE, GEAR CASE	1	OPT
19	09125-05046	SCREW (5X12)	2	
20	09420-04006	KEY	1	
21	17400-88L00	WATER PUMP REPAIR KIT	1	OPT

FIG.108

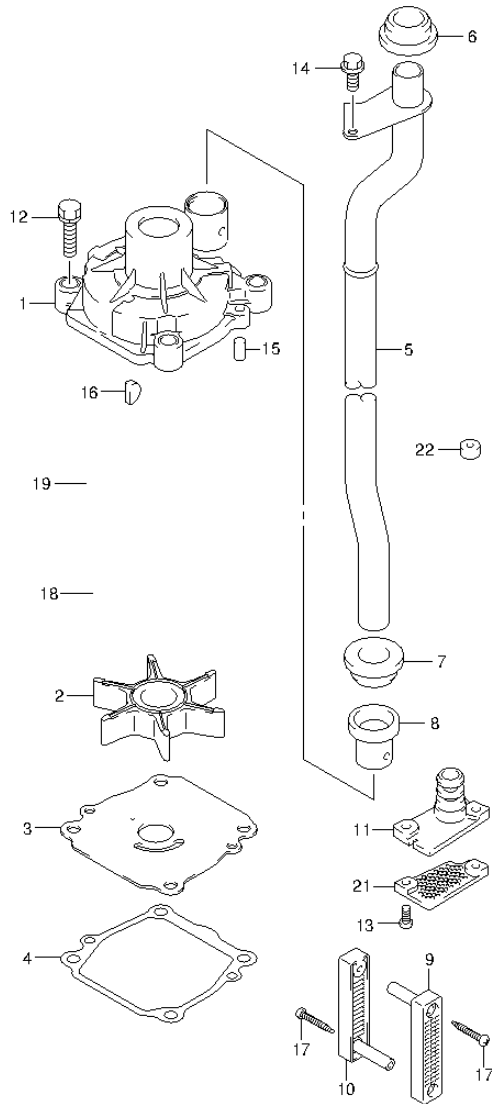


FIG.108 (1-K-2) WATER PUMP (DF50AVT E01)

REF NO.	PART NO.	DESCRIPTION	Q'TY	REMARKS
1	17410-99E10	CASE, WATER PUMP	1	
2	17461-87E12	IMPELLER, WATER PUMP	1	
3	17471-99E00	PANEL, PUMP CASE UNDER	1	
4	17472-87E10	GASKET, PUMP CASE PANEL	1	
5	17560-88L30	TUBE, WATER (L)	1	
6	17562-87L00	BUSH, WATER TUBE UPPER	1	
7	17562-87L00	BUSH, WATER TUBE UPPER	1	
8	17564-87D00	BUSH, WATER PUMP CASE	1	
9	17631-90J00	FILTER, WATER PORT SIDE	1	
10	17632-90J00	FILTER, WATER STBD SIDE	1	
11	17635-90J00	PLUG, SUB WATER TUBE	1	
12	29116-93J10	BOLT	4	
13	09125-05046	SCREW (5X12)	2	
14	09116-06236	BOLT (6X16)	1	
15	09202-06031	PIN (6X12)	2	
16	09420-04009	KEY	1	
17	09132-04034	SCREW (4X18)	2	
18	17413-99E11	SLEEVE, WATER PUMP CASE	1	
19	17416-99E10	SEALING, WATER PUMP CASE	1	
20	17400-99E10	KIT, WATER PUMP REPAIR	1	OPT
21	17635-87E10	PLATE, GEAR CASE	1	OPT
22	55321-87J10	ANODE (MAGNESIUM)	1	OPT



FIG.109

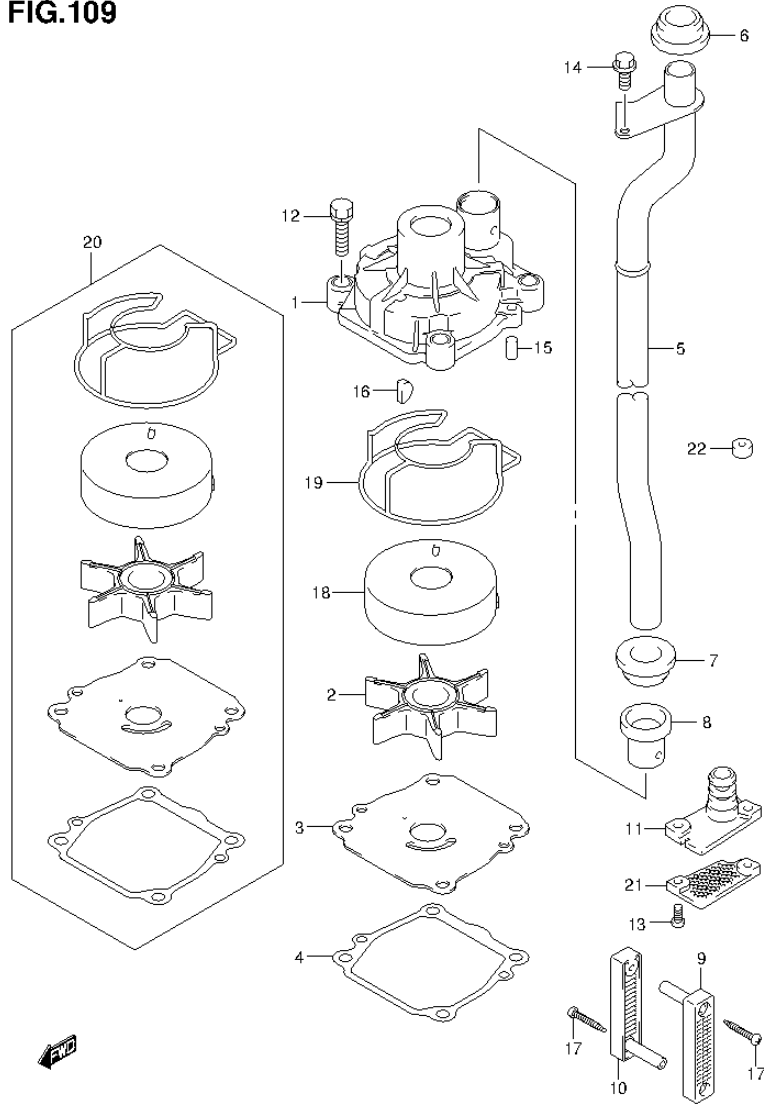


FIG.109 (1-K-3) WATER PUMP (DF50AVTH E01)

REF NO.	PART NO.	DESCRIPTION	Q'TY	REMARKS
1	17410-99E10	CASE, WATER PUMP	1	
2	17461-87E12	IMPELLER, WATER PUMP	1	
3	17471-99E00	PANEL, PUMP CASE UNDER	1	
4	17472-87E10	GASKET, PUMP CASE PANEL	1	
5	17560-88L30	TUBE, WATER (L)	1	
6	17562-87L00	BUSH, WATER TUBE UPPER	1	
7	17562-87L00	BUSH, WATER TUBE UPPER	1	
8	17564-87D00	BUSH, WATER PUMP CASE	1	
9	17631-90J00	FILTER, WATER PORT SIDE	1	
10	17632-90J00	FILTER, WATER STBD SIDE	1	
11	17635-90J00	PLUG, SUB WATER TUBE	1	
12	29116-93J10	BOLT	4	
13	09125-05046	SCREW (5X12)	2	
14	09116-06236	BOLT (6X16)	1	
15	09202-06031	PIN (6X12)	2	
16	09420-04009	KEY	1	
17	09132-04034	SCREW (4X18)	2	
18	17413-99E11	SLEEVE, WATER PUMP CASE	1	
19	17416-99E10	SEALING, WATER PUMP CASE	1	
20	17400-99E10	KIT, WATER PUMP REPAIR	1	OPT
21	17635-87E10	PLATE, GEAR CASE	1	OPT
22	55321-87J10	ANODE (MAGNESIUM)	1	OPT

FIG.110

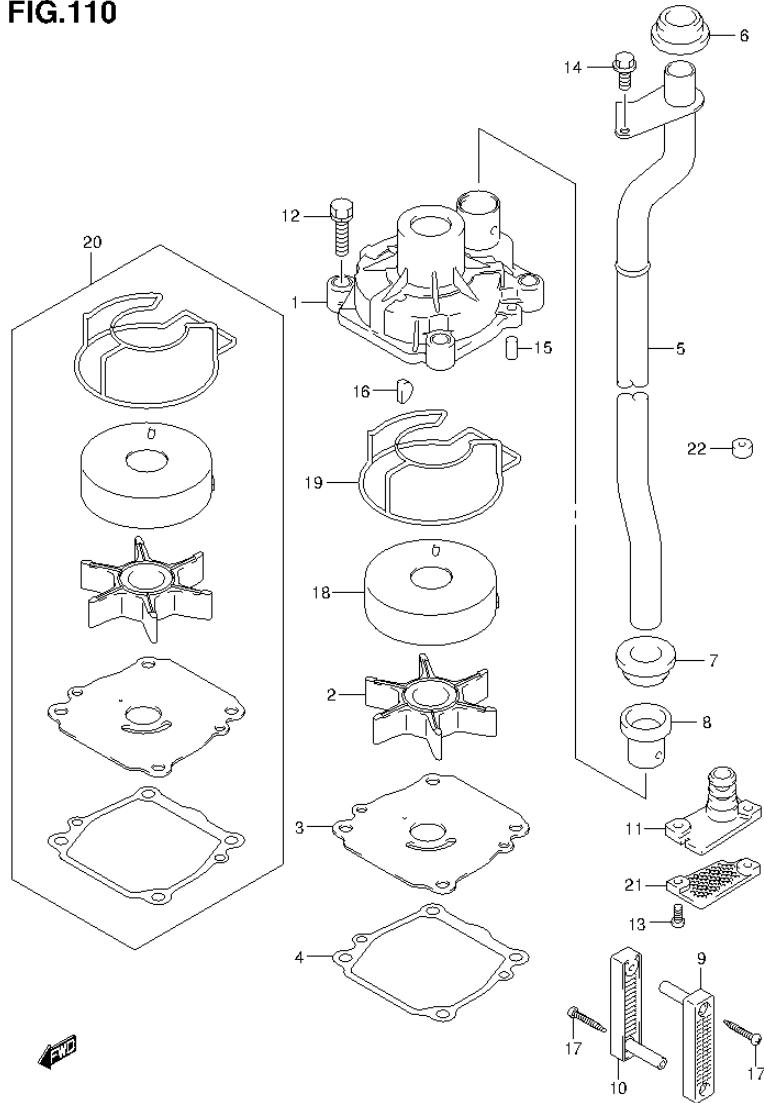


FIG.110 (1-K-4) WATER PUMP (DF60AVT E01)

REF NO.	PART NO.	DESCRIPTION	Q'TY	REMARKS
1	17410-99E10	CASE, WATER PUMP	1	
2	17461-87E12	IMPELLER, WATER PUMP	1	
3	17471-99E10	PANEL, PUMP CASE UNDER	1	
4	17472-87E10	GASKET, PUMP CASE PANEL	1	
5-1	17560-88L30	TUBE, WATER (L)	1	W/TRANSOM(L)
5-2	17560-88L40	TUBE, WATER (X)	1	W/TRANSOM(X)
6	17562-87L00	BUSH, WATER TUBE UPPER	1	
7	17562-87L00	BUSH, WATER TUBE UPPER	1	
8	17564-87D00	BUSH, WATER PUMP CASE	1	
9	17631-90J00	FILTER, WATER PORT SIDE	1	
10	17632-90J00	FILTER, WATER STBD SIDE	1	
11	17635-90J00	PLUG, SUB WATER TUBE	1	
12	29116-93J10	BOLT	4	
13	09125-05046	SCREW (5X12)	2	
14	09116-06236	BOLT (6X16)	1	
15	09202-06031	PIN (6X12)	2	
16	09420-04009	KEY	1	
17	09132-04034	SCREW (4X18)	2	
18	17413-99E11	SLEEVE, WATER PUMP CASE	1	
19	17416-99E10	SEALING, WATER PUMP CASE	1	
20	17400-99E10	KIT, WATER PUMP REPAIR	1	OPT
21	17635-87E10	PLATE, GEAR CASE	1	OPT
22	55321-87J10	ANODE (MAGNESIUM)	1	OPT

FIG.111

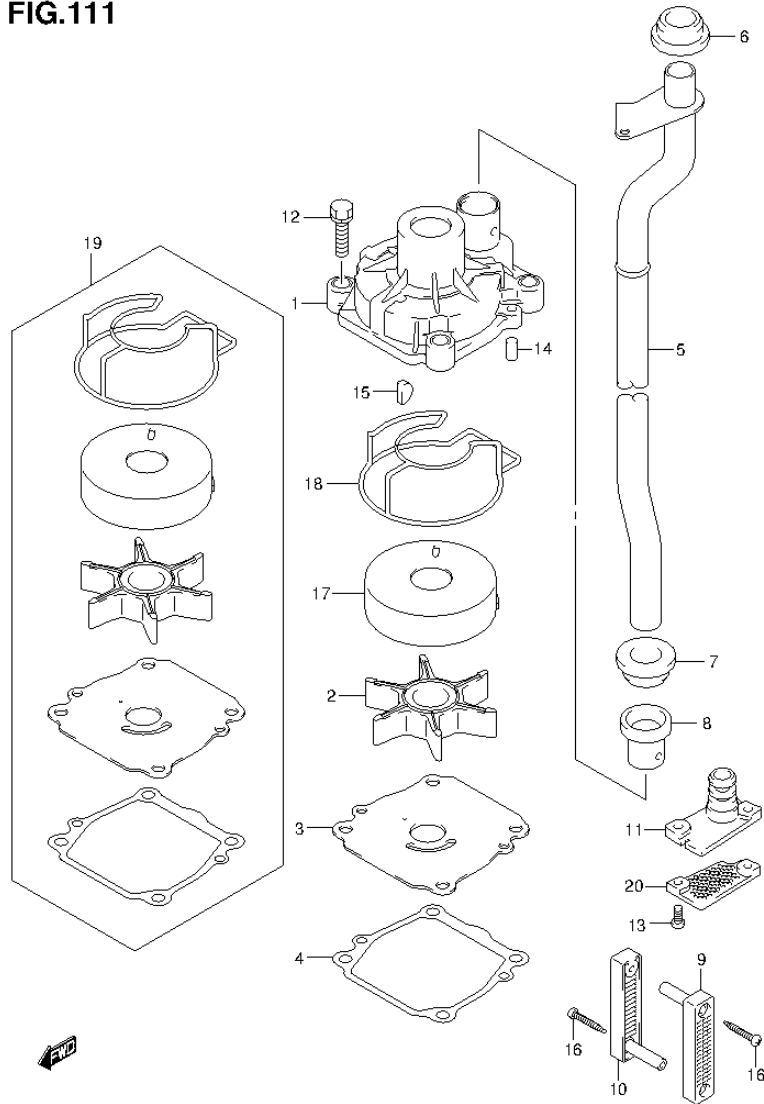


FIG.111 (1-K-5) WATER PUMP (DF60AVT E40)

REF NO.	PART NO.	DESCRIPTION	Q'TY	REMARKS
1	17410-99E10	CASE, WATER PUMP	1	
2	17461-87E12	IMPELLER, WATER PUMP	1	
3	17471-99E10	PANEL, PUMP CASE UNDER	1	
4	17472-87E10	GASKET, PUMP CASE PANEL	1	
5-1	17560-88L30	TUBE, WATER (L)	1	W/TRANSOM(L)
5-2	17560-88L40	TUBE, WATER (X)	1	W/TRANSOM(X)
6	17562-87L00	BUSH, WATER TUBE UPPER	1	
7	17562-87L00	BUSH, WATER TUBE UPPER	1	
8	17564-87D00	BUSH, WATER PUMP CASE	1	
9	17631-90J00	FILTER, WATER PORT SIDE	1	
10	17632-90J00	FILTER, WATER STBD SIDE	1	
11	17635-90J00	PLUG, SUB WATER TUBE	1	
12	29116-93J10	BOLT	4	
13	09125-05046	SCREW (5X12)	2	
14	09202-06031	PIN (6X12)	2	
15	09420-04009	KEY	1	
16	09132-04034	SCREW (4X18)	2	
17	17413-99E21	SLEEVE, WATER PUMP CASE	1	
18	17416-99E10	SEALING, WATER PUMP CASE	1	
19	17400-99E10	KIT, WATER PUMP REPAIR	1	OPT
20	17635-87E10	PLATE, GEAR CASE	1	OPT

FIG.112

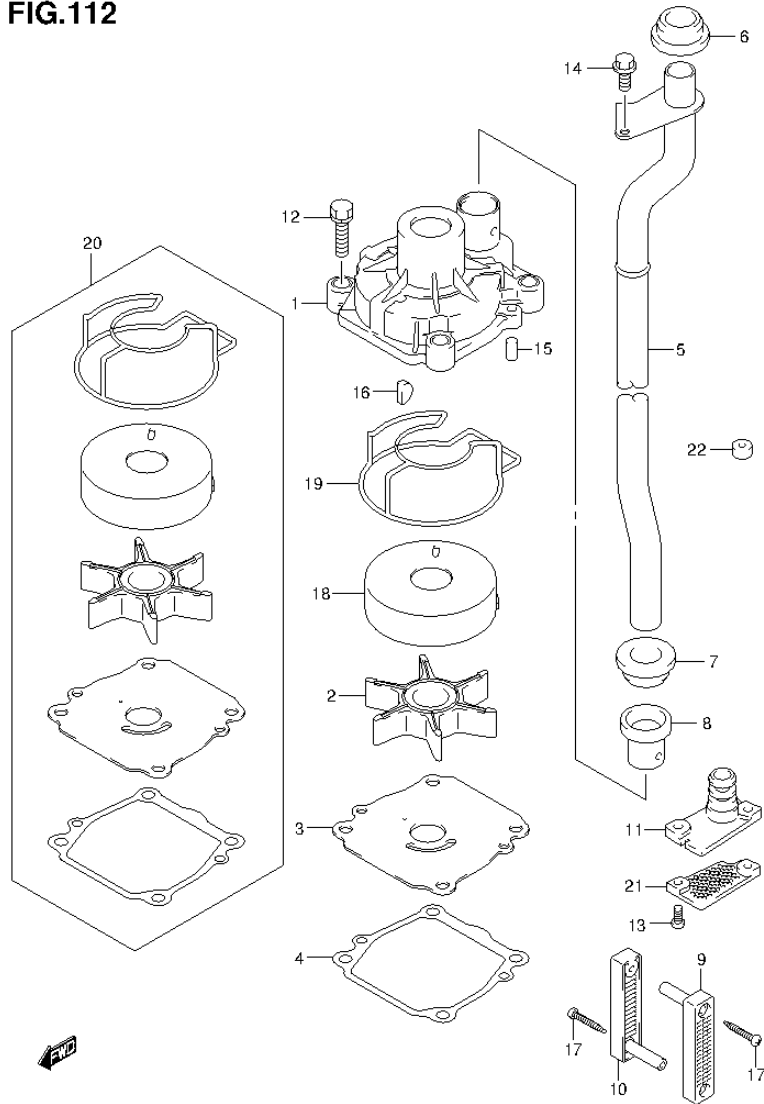


FIG.112 (1-K-6) WATER PUMP (DF60AVTH E01)

REF NO.	PART NO.	DESCRIPTION	Q'TY	REMARKS
1	17410-99E10	CASE, WATER PUMP	1	
2	17461-87E12	IMPELLER, WATER PUMP	1	
3	17471-99E00	PANEL, PUMP CASE UNDER	1	
4	17472-87E10	GASKET, PUMP CASE PANEL	1	
5-1	17560-88L30	TUBE, WATER (L)	1	W/TRANSOM(L)
5-2	17560-88L40	TUBE, WATER (X)	1	W/TRANSOM(X)
6	17562-87L00	BUSH, WATER TUBE UPPER	1	
7	17562-87L00	BUSH, WATER TUBE UPPER	1	
8	17564-87D00	BUSH, WATER PUMP CASE	1	
9	17631-90J00	FILTER, WATER PORT SIDE	1	
10	17632-90J00	FILTER, WATER STBD SIDE	1	
11	17635-90J00	PLUG, SUB WATER TUBE	1	
12	29116-93J10	BOLT	4	
13	09125-05046	SCREW (5X12)	2	
14	09116-06236	BOLT (6X16)	1	
15	09202-06031	PIN (6X12)	2	
16	09420-04009	KEY	1	
17	09132-04034	SCREW (4X18)	2	
18	17413-99E11	SLEEVE, WATER PUMP CASE	1	
19	17416-99E10	SEALING, WATER PUMP CASE	1	
20	17400-99E10	KIT, WATER PUMP REPAIR	1	OPT
21	17635-87E10	PLATE, GEAR CASE	1	OPT
22	55321-87J10	ANODE (MAGNESIUM)	1	OPT

FIG.113

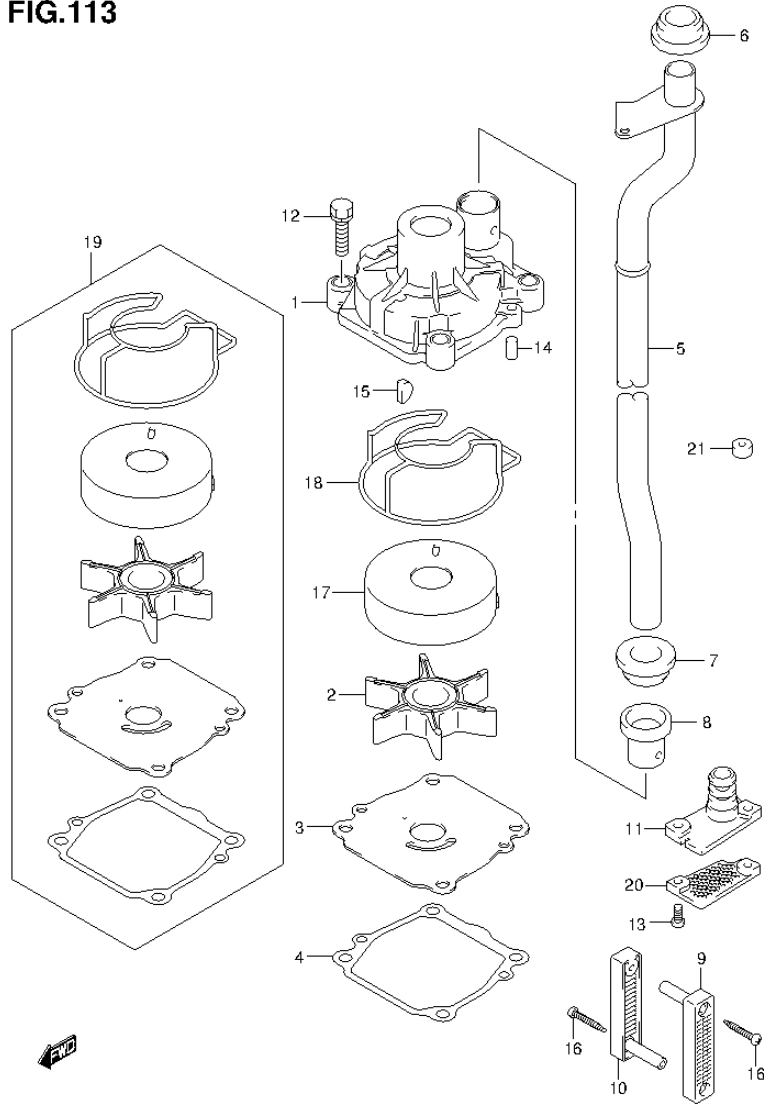


FIG.113 (1-K-7) WATER PUMP (DF60AVTH E40)

REF NO.	PART NO.	DESCRIPTION	Q'TY	REMARKS
1	17410-99E10	CASE, WATER PUMP	1	
2	17461-87E12	IMPELLER, WATER PUMP	1	
3	17471-99E10	PANEL, PUMP CASE UNDER	1	
4	17472-87E10	GASKET, PUMP CASE PANEL	1	
5-1	17560-88L30	TUBE, WATER (L)	1	W/TRANSOM(L)
5-2	17560-88L40	TUBE, WATER (X)	1	W/TRANSOM(X)
6	17562-87L00	BUSH, WATER TUBE UPPER	1	
7	17562-87L00	BUSH, WATER TUBE UPPER	1	
8	17564-87D00	BUSH, WATER PUMP CASE	1	
9	17631-90J00	FILTER, WATER PORT SIDE	1	
10	17632-90J00	FILTER, WATER STBD SIDE	1	
11	17635-90J00	PLUG, SUB WATER TUBE	1	
12	29116-93J10	BOLT	4	
13	09125-05046	SCREW (5X12)	2	
14	09202-06031	PIN (6X12)	2	
15	09420-04009	KEY	1	
16	09132-04034	SCREW (4X18)	2	
17	17413-99E21	SLEEVE, WATER PUMP CASE	1	
18	17416-99E10	SEALING, WATER PUMP CASE	1	
19	17400-99E10	KIT, WATER PUMP REPAIR	1	OPT
20	17635-87E10	PLATE, GEAR CASE	1	OPT
21	55321-87J10	ANODE (MAGNESIUM)	1	OPT

FIG.114

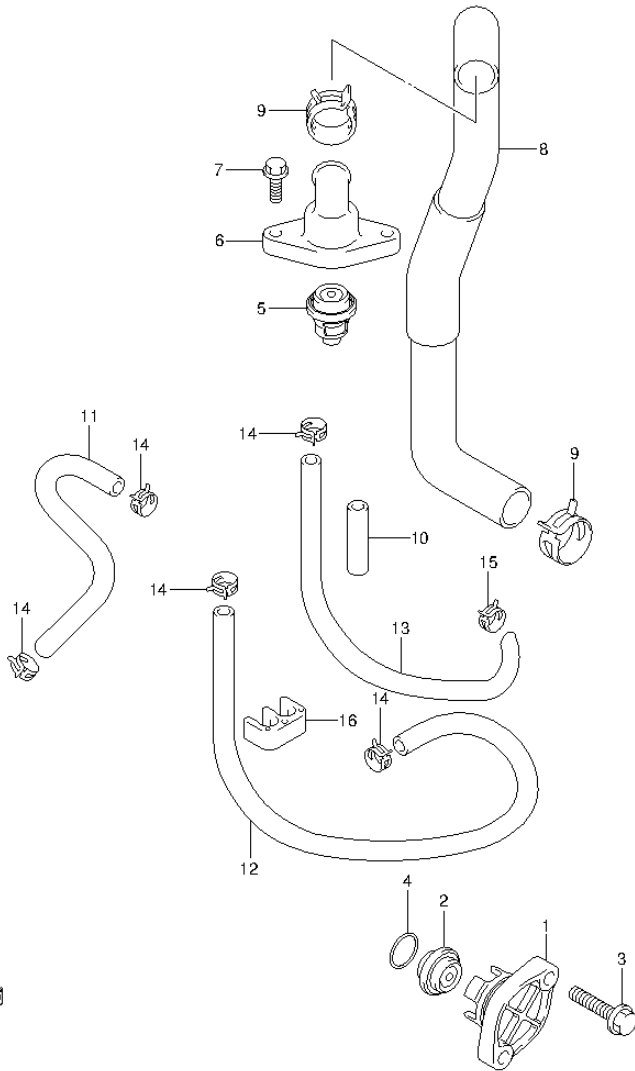


FIG.114 (1-K-8) THERMOSTAT

REF NO.	PART NO.	DESCRIPTION	Q'TY	REMARKS
1	17611-90J00-0EP	COVER, WATER PRESS VALVE (BLACK)	1	
2	17660-99E01	VALVE, WATER PRESSURE	1	
3	09116-06121	BOLT (6X25)	2	
4	09280-26006	O RING (D:3.1,ID:26.4)	1	
5	17670-93953	THERMOSTAT (60C)	1	
6	17681-88L00	COVER, THERMOSTAT	1	
7	01550-06207	BOLT	2	
8	11196-88L00	HOSE, WATER RETURN	1	
9	09401-25406	CLIP	2	
10	18498-94J20	PROTECTOR, WATER HOSE	2	L:320->50
11	17712-88L00	HOSE (SEPARATOR TO INSP)	1	
12	09352-50903-600	HOSE (5X9X600)	1	L:600->500
13	09359-50901-980	HOSE	1	L:980->250
14	09401-08413	CLIP	5	
15	09401-10412	CLIP	1	
16	09408-00175	CLAMP	1	

FIG.115

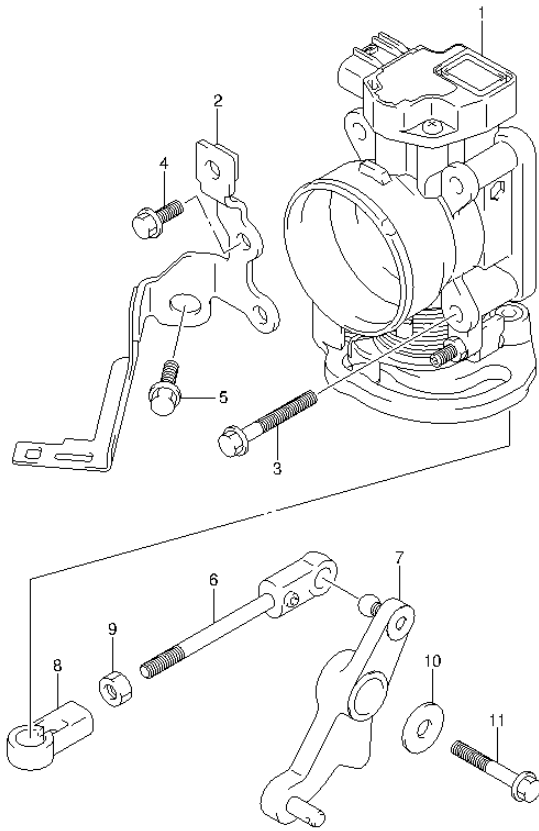


FIG.115 (1-K-9) THROTTLE BODY (DF40A E01)

REF NO.	PART NO.	DESCRIPTION	Q'TY	REMARKS
1	13300-88L00	BODY ASSY, THROTTLE	1	
2	13315-88L00	BRACKET, THROTTLE BODY	1	
3	01550-06457	BOLT	4	
4	01550-06167	BOLT	2	
5	01550-08207	BOLT	1	
6	13510-88L00	ROD, THROTTLE	1	
7	19120-88L01	LEVER, THROTTLE	1	
8	19131-95502	CONNECTOR, THROTTLE ROD	1	
9	09140-05005	NUT	1	
10	09160-06047	WASHER (6.5X20X2)	1	
11	01550-06407	BOLT	1	



FIG.116

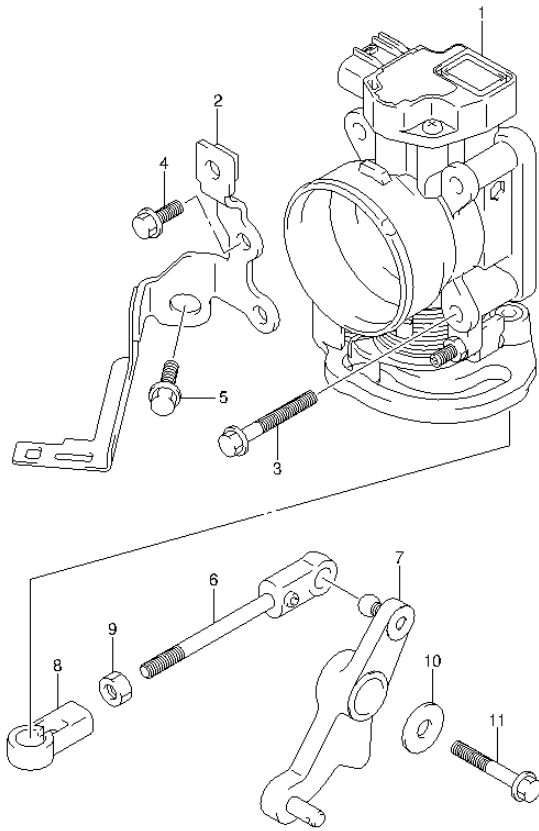


FIG.116 (1-K-10) THROTTLE BODY (DF40AQH E01)

REF NO.	PART NO.	DESCRIPTION	Q'TY	REMARKS
1	13300-88L00	BODY ASSY, THROTTLE	1	
2	13315-88L00	BRACKET, THROTTLE BODY	1	
3	01550-06457	BOLT	4	
4	01550-06167	BOLT	2	
5	01550-08207	BOLT	1	
6	13510-88L00	ROD, THROTTLE	1	
7	19120-88L11	LEVER, THROTTLE	1	
8	19131-95502	CONNECTOR, THROTTLE ROD	1	
9	09140-05005	NUT	1	
10	09160-06047	WASHER (6.5X20X2)	1	
11	01550-06407	BOLT	1	

FIG.117

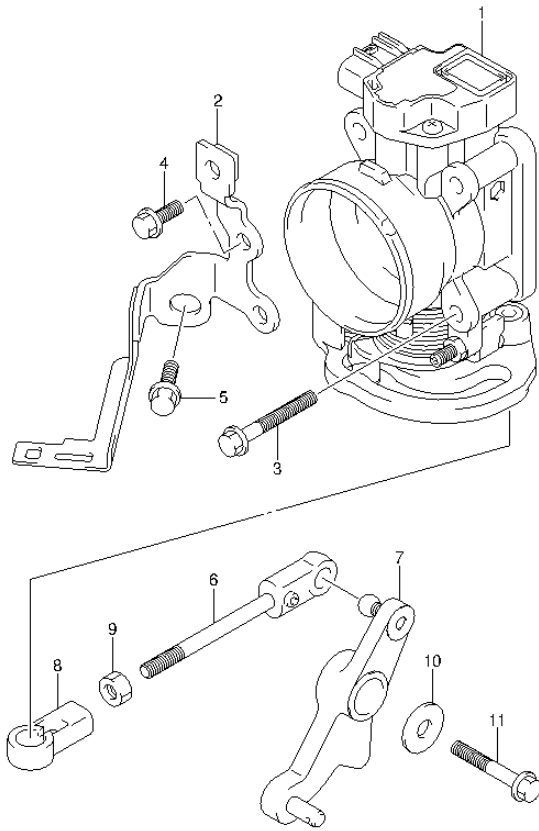


FIG.117 (1-K-11) THROTTLE BODY (DF40ATH E01)

REF NO.	PART NO.	DESCRIPTION	Q'TY	REMARKS
1	13300-88L00	BODY ASSY, THROTTLE	1	
2	13315-88L00	BRACKET, THROTTLE BODY	1	
3	01550-06457	BOLT	4	
4	01550-06167	BOLT	2	
5	01550-08207	BOLT	1	
6	13510-88L00	ROD, THROTTLE	1	
7	19120-88L11	LEVER, THROTTLE	1	
8	19131-95502	CONNECTOR, THROTTLE ROD	1	
9	09140-05005	NUT	1	
10	09160-06047	WASHER (6.5X20X2)	1	
11	01550-06407	BOLT	1	

FIG.118

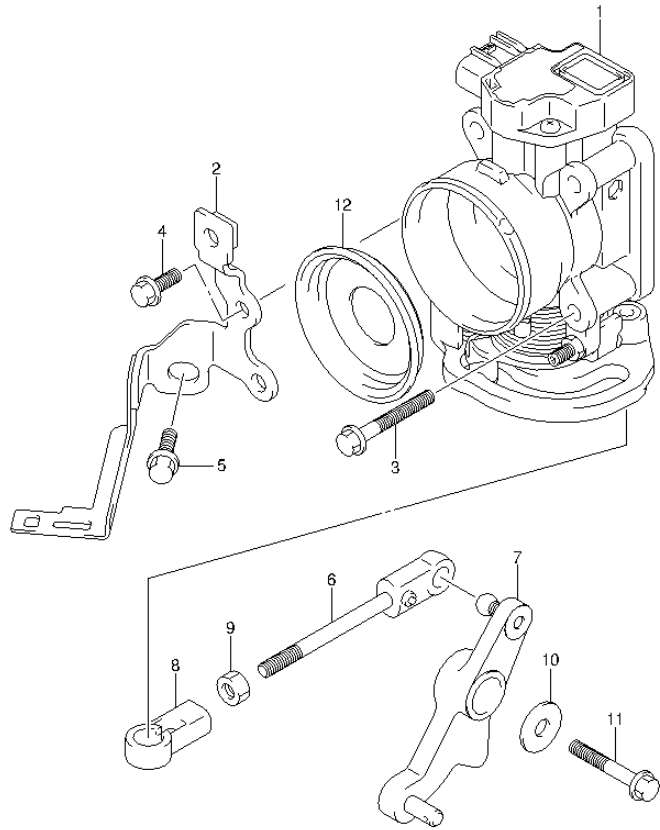


FIG.118 (1-K-12) THROTTLE BODY (DF40AST E34)

REF NO.	PART NO.	DESCRIPTION	Q'TY	REMARKS
1	13300-88L00	BODY ASSY, THROTTLE	1	
2	13315-88L00	BRACKET, THROTTLE BODY	1	
3	01550-06457	BOLT	4	
4	01550-06167	BOLT	2	
5	01550-08207	BOLT	1	
6	13510-88L00	ROD, THROTTLE	1	
7	19120-88L01	LEVER, THROTTLE	1	
8	19131-95502	CONNECTOR, THROTTLE ROD	1	
9	09140-05005	NUT	1	
10	09160-06047	WASHER (6.5X20X2)	1	
11	01550-06407	BOLT	1	
12	13815-88L00	RESTRICTOR, INTAKE	1	

FIG.119

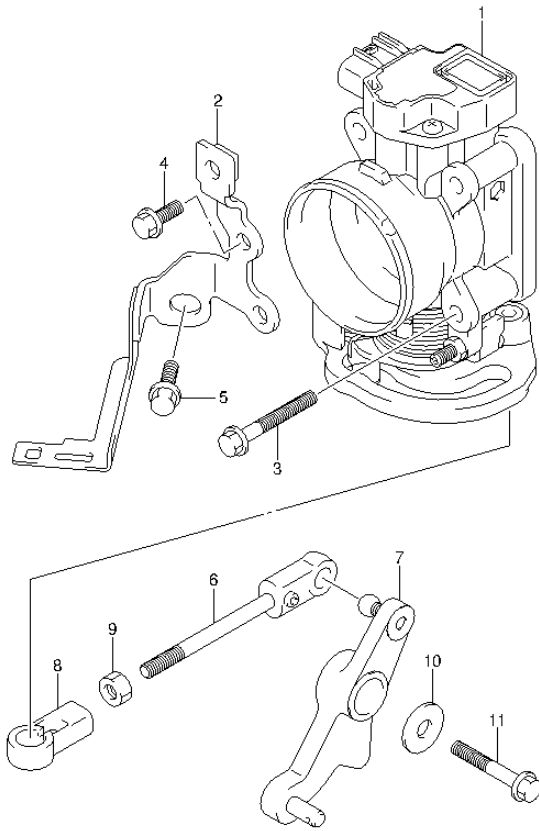


FIG.119 (1-K-13) THROTTLE BODY (DF50A E01)

REF NO.	PART NO.	DESCRIPTION	Q'TY	REMARKS
1	13300-88L00	BODY ASSY, THROTTLE	1	
2	13315-88L00	BRACKET, THROTTLE BODY	1	
3	01550-06457	BOLT	4	
4	01550-06167	BOLT	2	
5	01550-08207	BOLT	1	
6	13510-88L00	ROD, THROTTLE	1	
7	19120-88L01	LEVER, THROTTLE	1	
8	19131-95502	CONNECTOR, THROTTLE ROD	1	
9	09140-05005	NUT	1	
10	09160-06047	WASHER (6.5X20X2)	1	
11	01550-06407	BOLT	1	

FIG.120

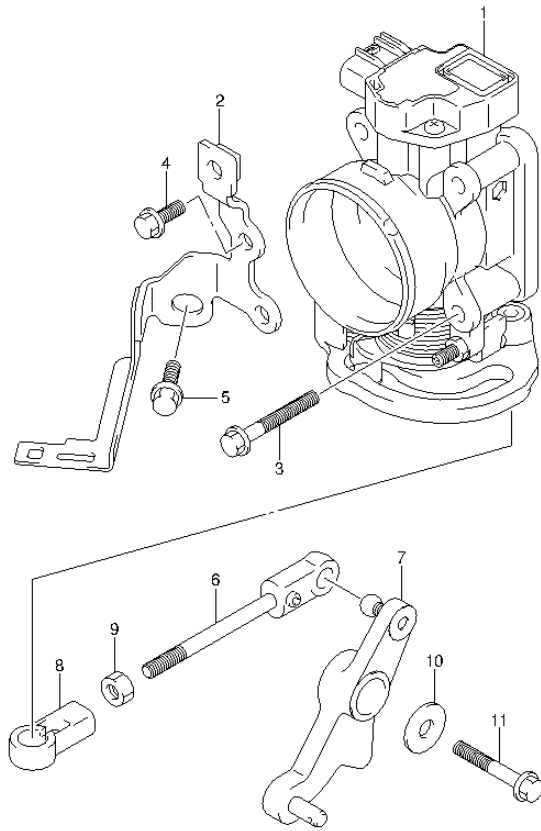


FIG.120 (1-K-14) THROTTLE BODY (DF50ATH E01)

REF NO.	PART NO.	DESCRIPTION	Q'TY	REMARKS
1	13300-88L00	BODY ASSY, THROTTLE	1	
2	13315-88L00	BRACKET, THROTTLE BODY	1	
3	01550-06457	BOLT	4	
4	01550-06167	BOLT	2	
5	01550-08207	BOLT	1	
6	13510-88L00	ROD, THROTTLE	1	
7	19120-88L11	LEVER, THROTTLE	1	
8	19131-95502	CONNECTOR, THROTTLE ROD	1	
9	09140-05005	NUT	1	
10	09160-06047	WASHER (6.5X20X2)	1	
11	01550-06407	BOLT	1	



FIG.121

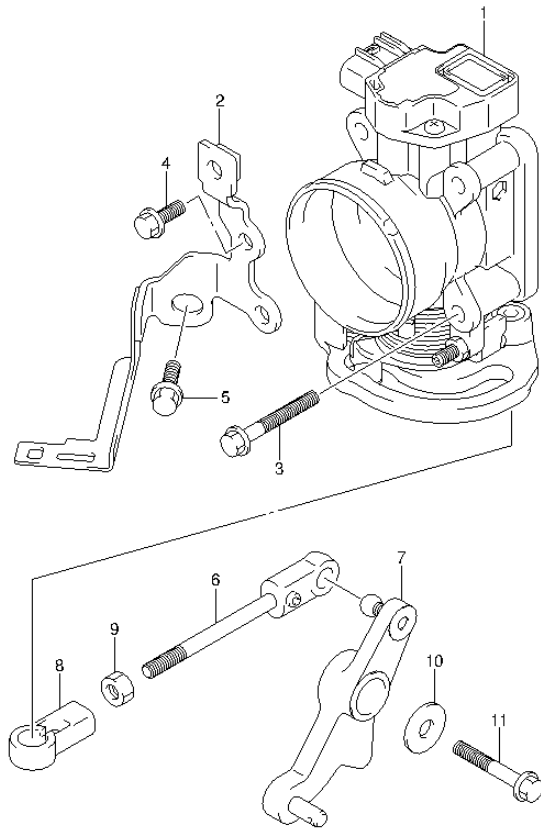


FIG.121 (1-K-15) THROTTLE BODY (DF60A E01)

REF NO.	PART NO.	DESCRIPTION	Q'TY	REMARKS
1	13300-88L00	BODY ASSY, THROTTLE	1	
2	13315-88L00	BRACKET, THROTTLE BODY	1	
3	01550-06457	BOLT	4	
4	01550-06167	BOLT	2	
5	01550-08207	BOLT	1	
6	13510-88L00	ROD, THROTTLE	1	
7	19120-88L01	LEVER, THROTTLE	1	
8	19131-95502	CONNECTOR, THROTTLE ROD	1	
9	09140-05005	NUT	1	
10	09160-06047	WASHER (6.5X20X2)	1	
11	01550-06407	BOLT	1	

FIG.122

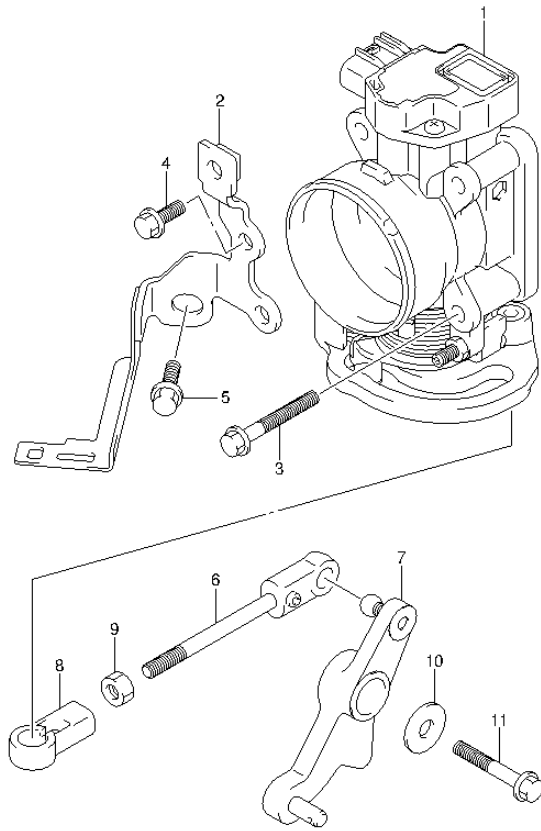


FIG.122 (1-L-2) THROTTLE BODY (DF60A E40)

REF NO.	PART NO.	DESCRIPTION	Q'TY	REMARKS
1	13300-88L00	BODY ASSY, THROTTLE	1	
2	13315-88L00	BRACKET, THROTTLE BODY	1	
3	01550-06457	BOLT	4	
4	01550-06167	BOLT	2	
5	01550-08207	BOLT	1	
6	13510-88L00	ROD, THROTTLE	1	
7	19120-88L01	LEVER, THROTTLE	1	
8	19131-95502	CONNECTOR, THROTTLE ROD	1	
9	09140-05005	NUT	1	
10	09160-06047	WASHER (6.5X20X2)	1	
11	01550-06407	BOLT	1	

FIG.123

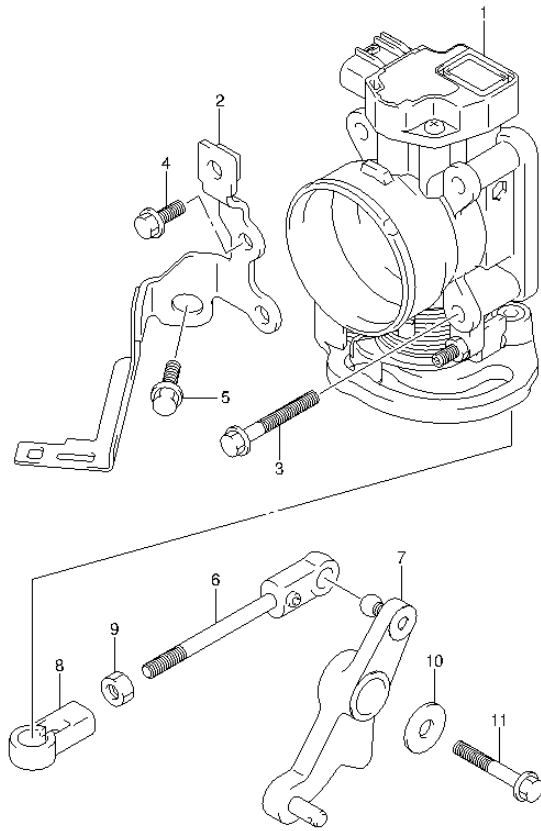


FIG.123 (1-L-3) THROTTLE BODY (DF60AQH E01)

REF NO.	PART NO.	DESCRIPTION	Q'TY	REMARKS
1	13300-88L00	BODY ASSY, THROTTLE	1	
2	13315-88L00	BRACKET, THROTTLE BODY	1	
3	01550-06457	BOLT	4	
4	01550-06167	BOLT	2	
5	01550-08207	BOLT	1	
6	13510-88L00	ROD, THROTTLE	1	
7	19120-88L11	LEVER, THROTTLE	1	
8	19131-95502	CONNECTOR, THROTTLE ROD	1	
9	09140-05005	NUT	1	
10	09160-06047	WASHER (6.5X20X2)	1	
11	01550-06407	BOLT	1	



FIG.124

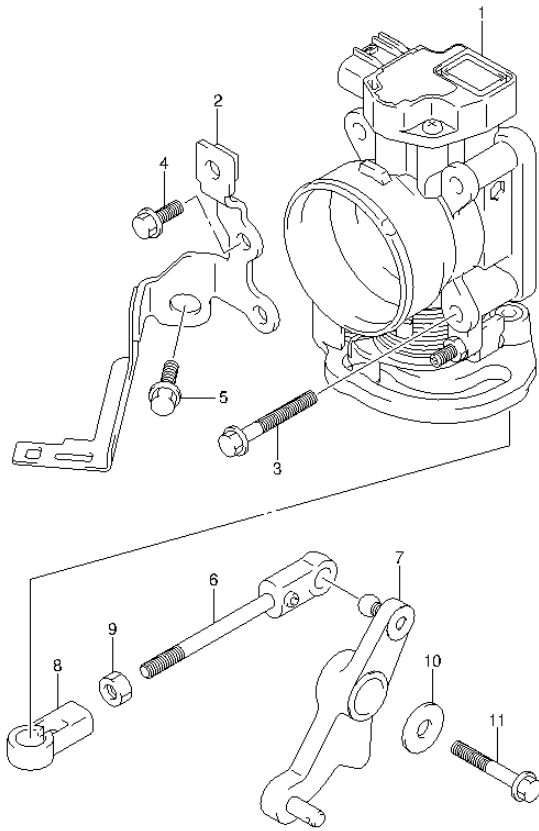


FIG.124 (1-L-4) THROTTLE BODY (DF60AQH E40)

REF NO.	PART NO.	DESCRIPTION	Q'TY	REMARKS
1	13300-88L00	BODY ASSY, THROTTLE	1	
2	13315-88L00	BRACKET, THROTTLE BODY	1	
3	01550-06457	BOLT	4	
4	01550-06167	BOLT	2	
5	01550-08207	BOLT	1	
6	13510-88L00	ROD, THROTTLE	1	
7	19120-88L11	LEVER, THROTTLE	1	
8	19131-95502	CONNECTOR, THROTTLE ROD	1	
9	09140-05005	NUT	1	
10	09160-06047	WASHER (6.5X20X2)	1	
11	01550-06407	BOLT	1	

FIG.125

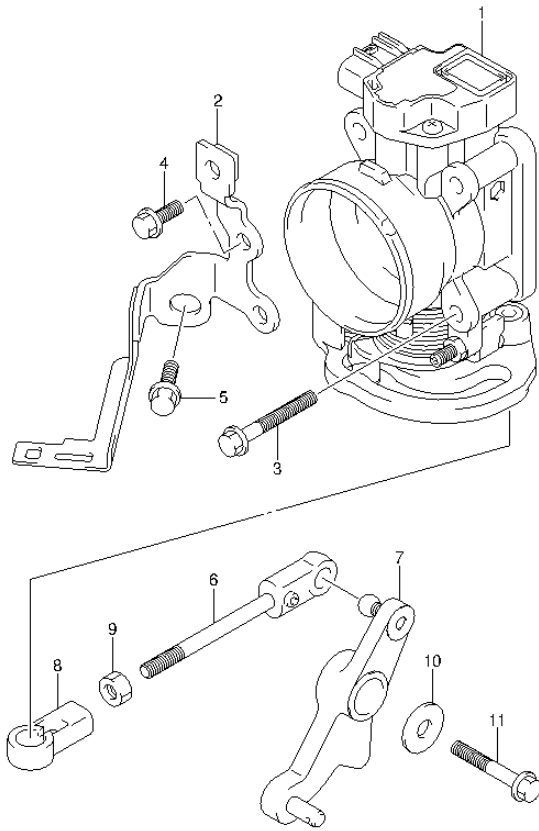


FIG.125 (1-L-5) THROTTLE BODY (DF60ATH E01)

REF NO.	PART NO.	DESCRIPTION	Q'TY	REMARKS
1	13300-88L00	BODY ASSY, THROTTLE	1	
2	13315-88L00	BRACKET, THROTTLE BODY	1	
3	01550-06457	BOLT	4	
4	01550-06167	BOLT	2	
5	01550-08207	BOLT	1	
6	13510-88L00	ROD, THROTTLE	1	
7	19120-88L11	LEVER, THROTTLE	1	
8	19131-95502	CONNECTOR, THROTTLE ROD	1	
9	09140-05005	NUT	1	
10	09160-06047	WASHER (6.5X20X2)	1	
11	01550-06407	BOLT	1	

FIG.126

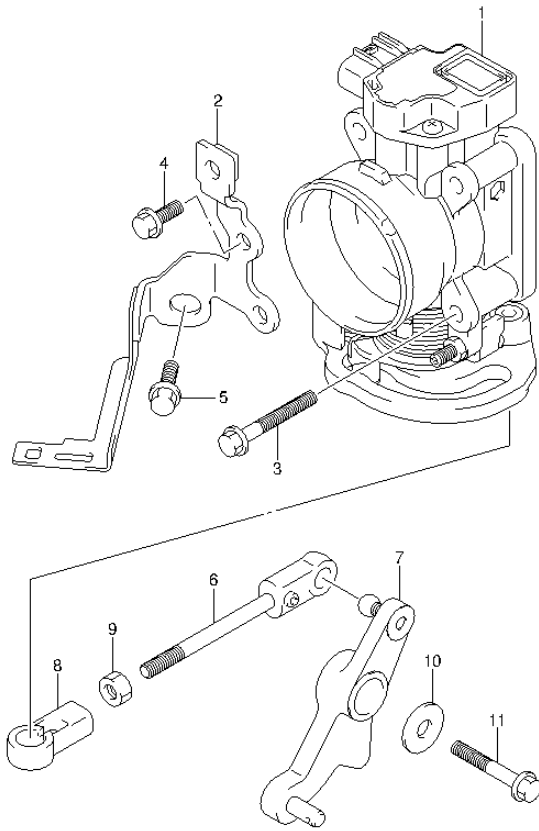


FIG.126 (1-L-6) THROTTLE BODY (DF60ATH E40)

REF NO.	PART NO.	DESCRIPTION	Q'TY	REMARKS
1	13300-88L00	BODY ASSY, THROTTLE	1	
2	13315-88L00	BRACKET, THROTTLE BODY	1	
3	01550-06457	BOLT	4	
4	01550-06167	BOLT	2	
5	01550-08207	BOLT	1	
6	13510-88L00	ROD, THROTTLE	1	
7	19120-88L11	LEVER, THROTTLE	1	
8	19131-95502	CONNECTOR, THROTTLE ROD	1	
9	09140-05005	NUT	1	
10	09160-06047	WASHER (6.5X20X2)	1	
11	01550-06407	BOLT	1	



FIG.127

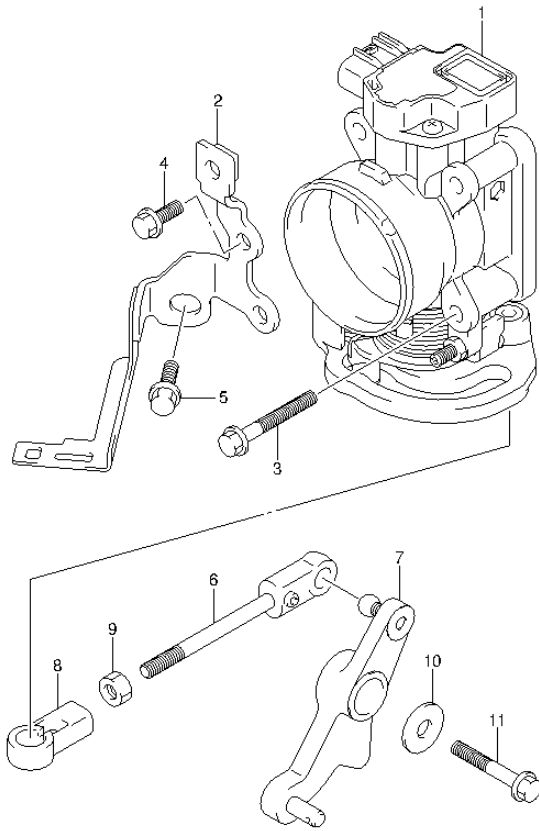


FIG.127 (1-L-7) THROTTLE BODY (DF50AVT E01)

REF NO.	PART NO.	DESCRIPTION	Q'TY	REMARKS
1	13300-88L00	BODY ASSY, THROTTLE	1	
2	13315-88L00	BRACKET, THROTTLE BODY	1	
3	01550-06457	BOLT	4	
4	01550-06167	BOLT	2	
5	01550-08207	BOLT	1	
6	13510-88L00	ROD, THROTTLE	1	
7	19120-88L01	LEVER, THROTTLE	1	
8	19131-95502	CONNECTOR, THROTTLE ROD	1	
9	09140-05005	NUT	1	
10	09160-06047	WASHER (6.5X20X2)	1	
11	01550-06407	BOLT	1	



FIG.128

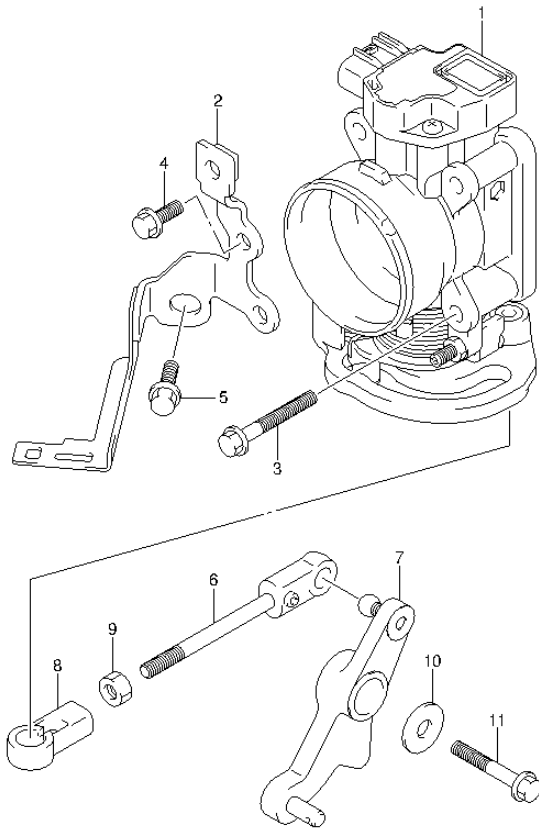


FIG.128 (1-L-8) THROTTLE BODY (DF50AVTH E01)

REF NO.	PART NO.	DESCRIPTION	Q'TY	REMARKS
1	13300-88L00	BODY ASSY, THROTTLE	1	
2	13315-88L00	BRACKET, THROTTLE BODY	1	
3	01550-06457	BOLT	4	
4	01550-06167	BOLT	2	
5	01550-08207	BOLT	1	
6	13510-88L00	ROD, THROTTLE	1	
7	19120-88L11	LEVER, THROTTLE	1	
8	19131-95502	CONNECTOR, THROTTLE ROD	1	
9	09140-05005	NUT	1	
10	09160-06047	WASHER (6.5X20X2)	1	
11	01550-06407	BOLT	1	

FIG.129

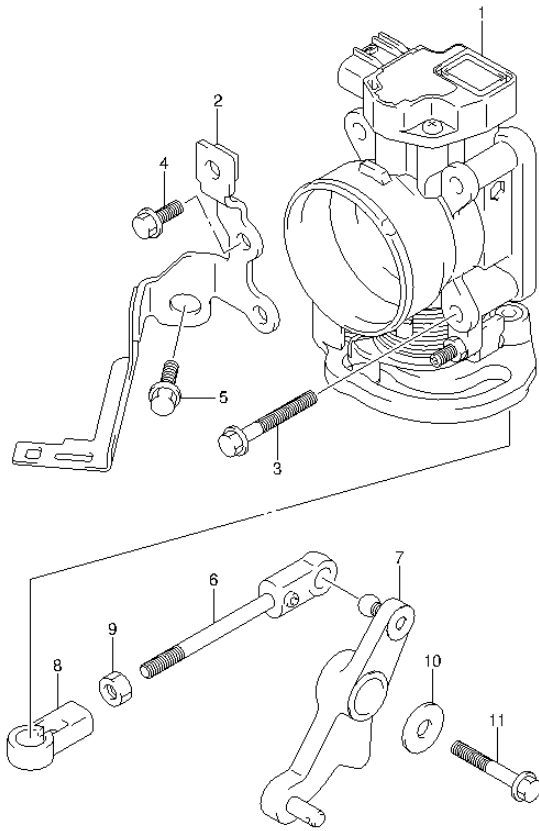


FIG.129 (1-L-9) THROTTLE BODY (DF60AVT E01)

REF NO.	PART NO.	DESCRIPTION	Q'TY	REMARKS
1	13300-88L00	BODY ASSY, THROTTLE	1	
2	13315-88L00	BRACKET, THROTTLE BODY	1	
3	01550-06457	BOLT	4	
4	01550-06167	BOLT	2	
5	01550-08207	BOLT	1	
6	13510-88L00	ROD, THROTTLE	1	
7	19120-88L01	LEVER, THROTTLE	1	
8	19131-95502	CONNECTOR, THROTTLE ROD	1	
9	09140-05005	NUT	1	
10	09160-06047	WASHER (6.5X20X2)	1	
11	01550-06407	BOLT	1	

FIG.130

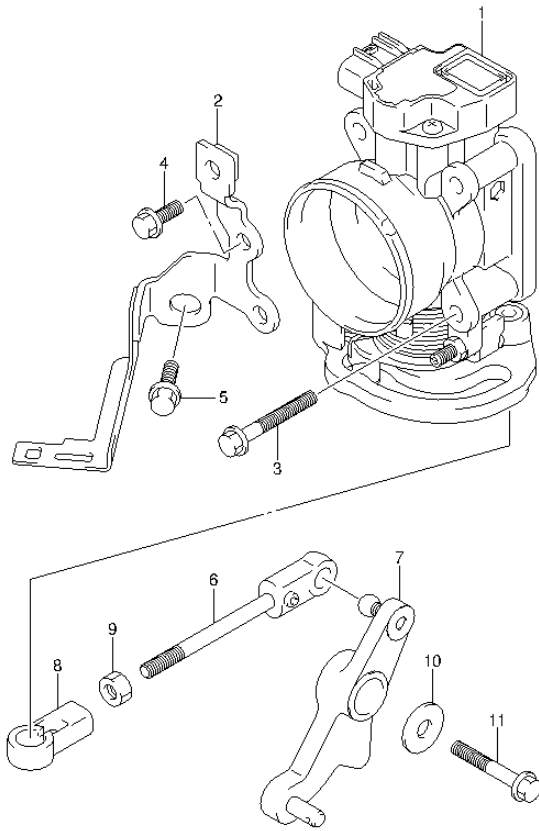


FIG.130 (1-L-10) THROTTLE BODY (DF60AVT E40)

REF NO.	PART NO.	DESCRIPTION	Q'TY	REMARKS
1	13300-88L00	BODY ASSY, THROTTLE	1	
2	13315-88L00	BRACKET, THROTTLE BODY	1	
3	01550-06457	BOLT	4	
4	01550-06167	BOLT	2	
5	01550-08207	BOLT	1	
6	13510-88L00	ROD, THROTTLE	1	
7	19120-88L01	LEVER, THROTTLE	1	
8	19131-95502	CONNECTOR, THROTTLE ROD	1	
9	09140-05005	NUT	1	
10	09160-06047	WASHER (6.5X20X2)	1	
11	01550-06407	BOLT	1	



FIG.131

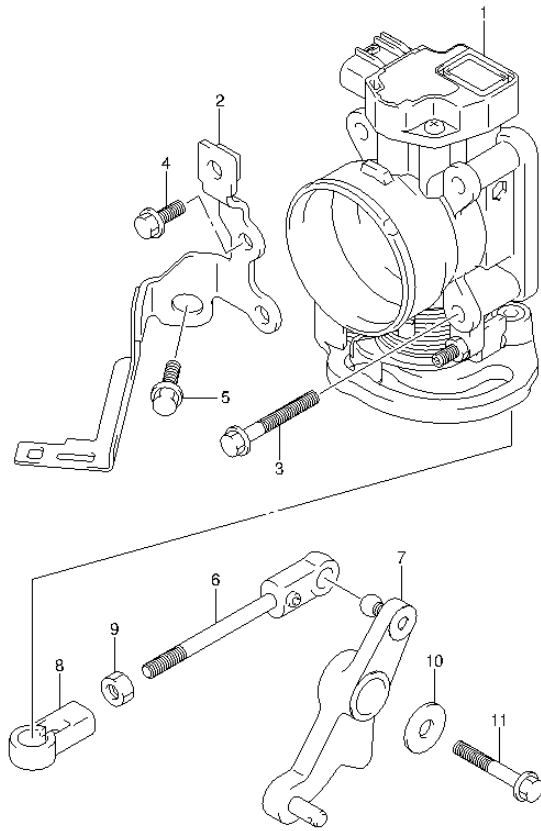


FIG.131 (1-L-11) THROTTLE BODY (DF60AVTH E01)

REF NO.	PART NO.	DESCRIPTION	Q'TY	REMARKS
1	13300-88L00	BODY ASSY, THROTTLE	1	
2	13315-88L00	BRACKET, THROTTLE BODY	1	
3	01550-06457	BOLT	4	
4	01550-06167	BOLT	2	
5	01550-08207	BOLT	1	
6	13510-88L00	ROD, THROTTLE	1	
7	19120-88L11	LEVER, THROTTLE	1	
8	19131-95502	CONNECTOR, THROTTLE ROD	1	
9	09140-05005	NUT	1	
10	09160-06047	WASHER (6.5X20X2)	1	
11	01550-06407	BOLT	1	

FIG.132

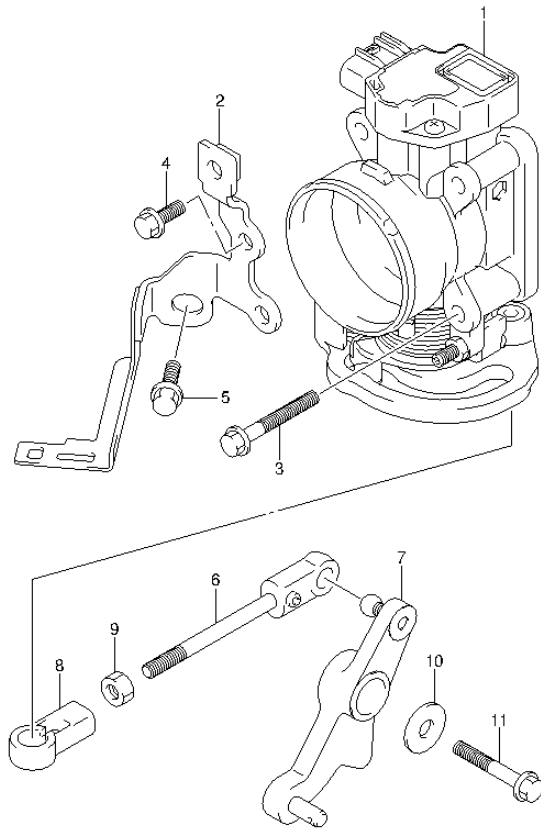


FIG.132 (1-L-12) THROTTLE BODY (DF60AVTH E40)

REF NO.	PART NO.	DESCRIPTION	Q'TY	REMARKS
1	13300-88L00	BODY ASSY, THROTTLE	1	
2	13315-88L00	BRACKET, THROTTLE BODY	1	
3	01550-06457	BOLT	4	
4	01550-06167	BOLT	2	
5	01550-08207	BOLT	1	
6	13510-88L00	ROD, THROTTLE	1	
7	19120-88L11	LEVER, THROTTLE	1	
8	19131-95502	CONNECTOR, THROTTLE ROD	1	
9	09140-05005	NUT	1	
10	09160-06047	WASHER (6.5X20X2)	1	
11	01550-06407	BOLT	1	



FIG.133

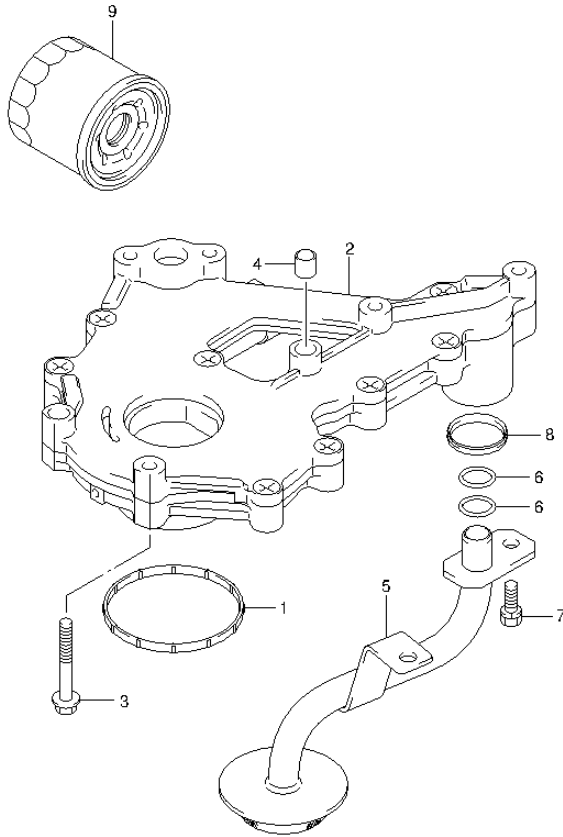


FIG.133 (1-L-13) OIL PUMP

REF NO.	PART NO.	DESCRIPTION	Q'TY	REMARKS
1	11433-88L00	GASKET, UNDER OIL SEAL	1	
2	16400-88L00	PUMP ASSY, OIL	1	
3	01547-0640A	BOLT	7	
4	04211-09109	PIN	2	
5	16520-88L00	STRAINER, OIL PUMP	1	
6	09280-12008	O RING (D:2.4,ID:12.3)	2	
7	01570-0616A	BOLT	2	
8	16519-87L00	SEAL, ENGINE HOLDER	1	
9	16510-87J00	FILTER ASSY, OIL	1	



FIG.134

FIG.134 (1-L-14) OIL PAN

REF NO.	PART NO.	DESCRIPTION	Q'TY	REMARKS
1	11489-88L00	GASKET, OIL PAN	1	
2	11501-88L01-0EP	PAN, OIL (BLACK)	1	
3	09116-08128	BOLT (8X40)	6	
4	09168-12012	GASKET (12.5X20X2.5)	1	
5	09248-12009	PLUG (12X18.65)	1	OIL DRAIN
6	11551-88L00-0EP	COVER, WATER JACKET OIL PAN (BLACK)	1	
7	11552-88L00	GASKET, OIL PAN WTR JKT COV	1	
8	09116-06121	BOLT (6X25)	4	
9	17913-93J00	PLUG, WATER	1	
10	17914-93J00	GASKET, WATER PLUG	1	
11	11543-88L00	SILENCER, EXHAUST	1	
12	43112-99E00	PIPE, EXHAUST	1	
13	09116-10124	BOLT (10X150)	6	
14	16910-88L00	GAUGE, OIL LEVEL	1	
15	16930-88L00	GUIDE, OIL LEVEL GAUGE	1	
16	09280-09008	O RING (D:2.1,ID:8.8)	1	
17	01550-06127	BOLT	1	

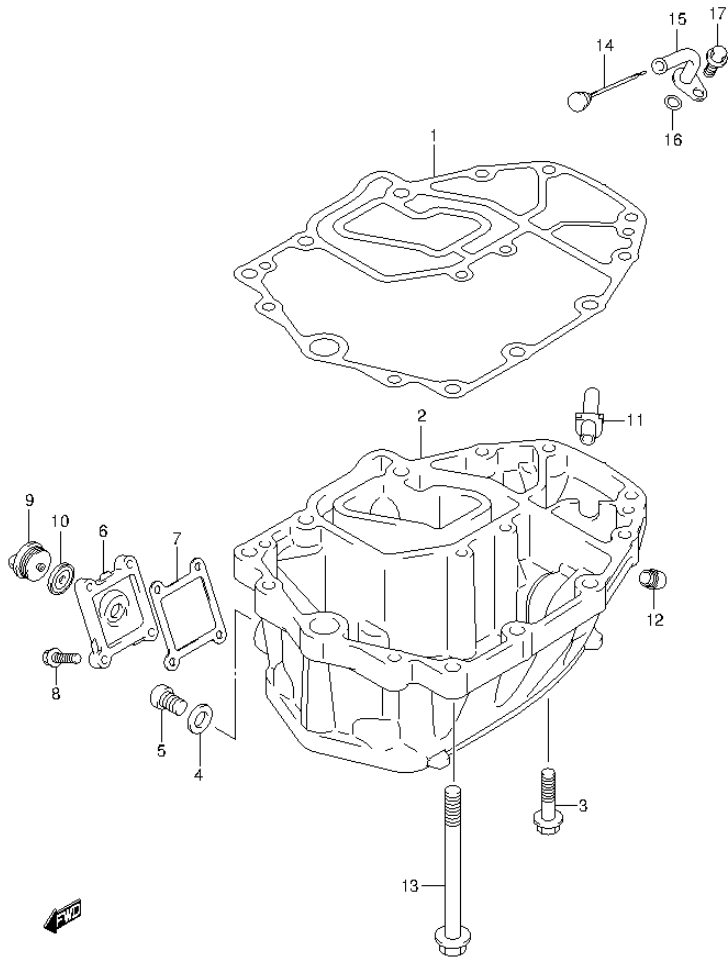


FIG.135

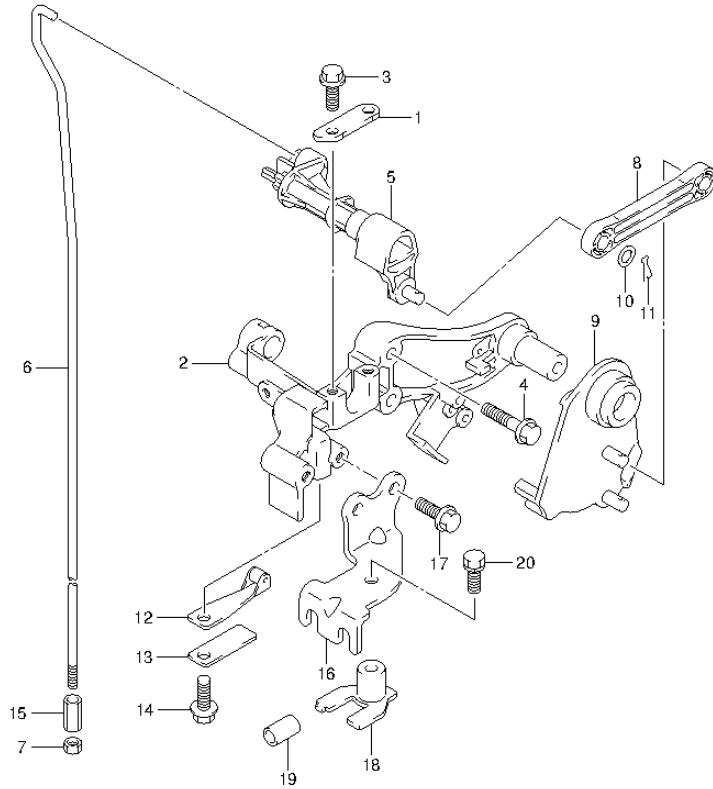


FIG.135 (1-L-15) CLUTCH SHAFT (DF40A E01)

REF NO.	PART NO.	DESCRIPTION	Q'TY	REMARKS
1	21126-88L00	HOLDER, CLUTCH SHAFT	1	
2	21151-88L00	HOLDER, CLUTCH LEVER	1	
3	01550-06167	BOLT	2	
4	01550-06307	BOLT	2	
5	21210-88L00	SHAFT, CLUTCH	1	
6-1	23111-88L00	ROD, CLUTCH (S)	1	W/TRANSOM(S)
6-2	23111-88L10	ROD, CLUTCH (L)	1	W/TRANSOM(L)
7	29141-93J00	NUT, CLUTCH ROD	1	
8	23115-88L00	LINK, CLUTCH LEVER	1	
9	23210-88L00	LEVER, CLUTCH CONTROL	1	
10	09160-06055	WASHER (7X12X1)	2	
11	09385-06012	CLIP	2	
12	23213-89J01	SPRING, NOTCH PLATE NO.1	1	
13	23214-89J00	SPRING, NOTCH PLATE NO.2	1	
14	01550-06127	BOLT	1	
15	23311-95J00	TURNBUCKLE, CLUTCH ROD	1	
16	67341-88L01	HOLDER, REMOCON CABLE	1	
17	01550-06167	BOLT	2	
18	67343-88L01	STOPPER, REMOCON CABLE	1	
19	09352-70103-600	HOSE (7X10.2X600)	2	L:600->14
20	01570-06167	BOLT	1	

FIG.136

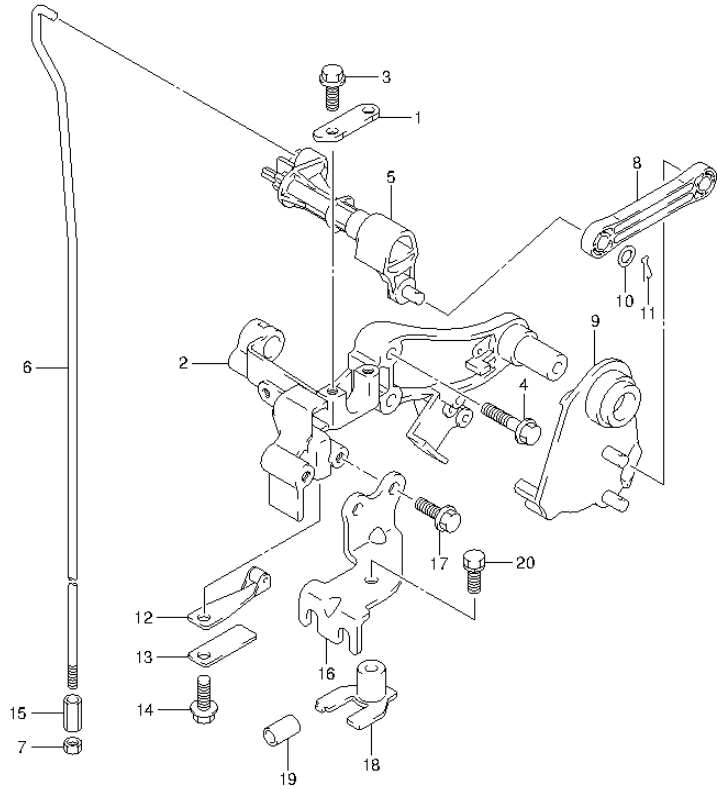


FIG.136 (2-B-2) CLUTCH SHAFT (DF40AQH E01)

REF NO.	PART NO.	DESCRIPTION	Q'TY	REMARKS
1	21126-88L00	HOLDER, CLUTCH SHAFT	1	
2	21151-88L00	HOLDER, CLUTCH LEVER	1	
3	01550-06167	BOLT	2	
4	01550-06307	BOLT	2	
5	21210-88L00	SHAFT, CLUTCH	1	
6	23111-88L10	ROD, CLUTCH (L)	1	
7	29141-93J00	NUT, CLUTCH ROD	1	
8	23115-88L00	LINK, CLUTCH LEVER	1	
9	23210-88L00	LEVER, CLUTCH CONTROL	1	
10	09160-06055	WASHER (7X12X1)	2	
11	09385-06012	CLIP	2	
12	23213-89J01	SPRING, NOTCH PLATE NO.1	1	
13	23214-89J00	SPRING, NOTCH PLATE NO.2	1	
14	01550-06127	BOLT	1	
15	23311-95J00	TURNBUCKLE, CLUTCH ROD	1	
16	67341-88L01	HOLDER, REMOCON CABLE	1	
17	01550-06167	BOLT	2	
18	67343-88L01	STOPPER, REMOCON CABLE	1	
19	09352-70103-600	HOSE (7X10.2X600)	2	L:600->14
20	01570-06167	BOLT	1	

FIG.137

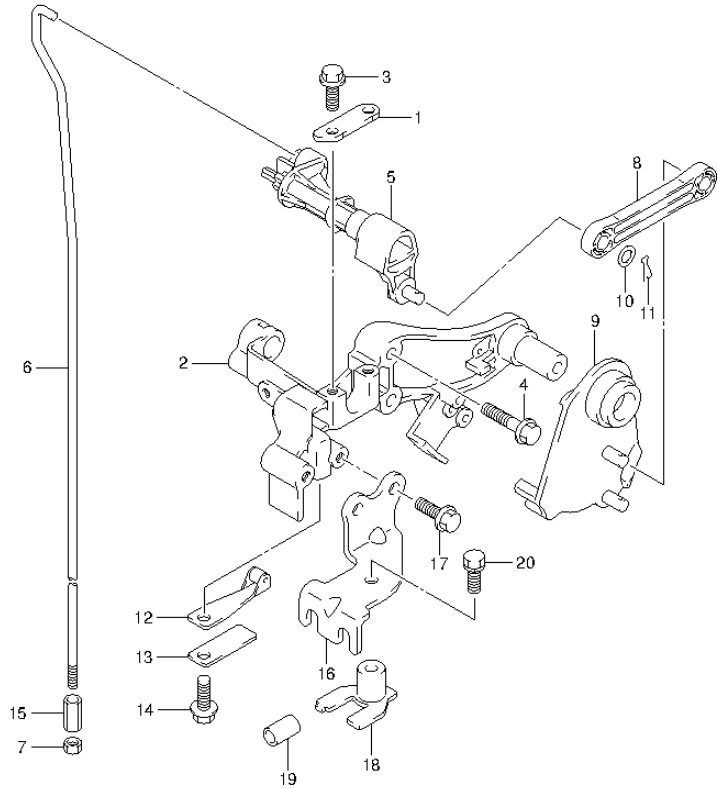


FIG.137 (2-B-3) CLUTCH SHAFT (DF40ATH E01)

REF NO.	PART NO.	DESCRIPTION	Q'TY	REMARKS
1	21126-88L00	HOLDER, CLUTCH SHAFT	1	
2	21151-88L00	HOLDER, CLUTCH LEVER	1	
3	01550-06167	BOLT	2	
4	01550-06307	BOLT	2	
5	21210-88L00	SHAFT, CLUTCH	1	
6	23111-88L10	ROD, CLUTCH (L)	1	
7	29141-93J00	NUT, CLUTCH ROD	1	
8	23115-88L00	LINK, CLUTCH LEVER	1	
9	23210-88L00	LEVER, CLUTCH CONTROL	1	
10	09160-06055	WASHER (7X12X1)	2	
11	09385-06012	CLIP	2	
12	23213-89J01	SPRING, NOTCH PLATE NO.1	1	
13	23214-89J00	SPRING, NOTCH PLATE NO.2	1	
14	01550-06127	BOLT	1	
15	23311-95J00	TURNBUCKLE, CLUTCH ROD	1	
16	67341-88L01	HOLDER, REMOCON CABLE	1	
17	01550-06167	BOLT	2	
18	67343-88L01	STOPPER, REMOCON CABLE	1	
19	09352-70103-600	HOSE (7X10.2X600)	2	L:600->14
20	01570-06167	BOLT	1	

FIG.138

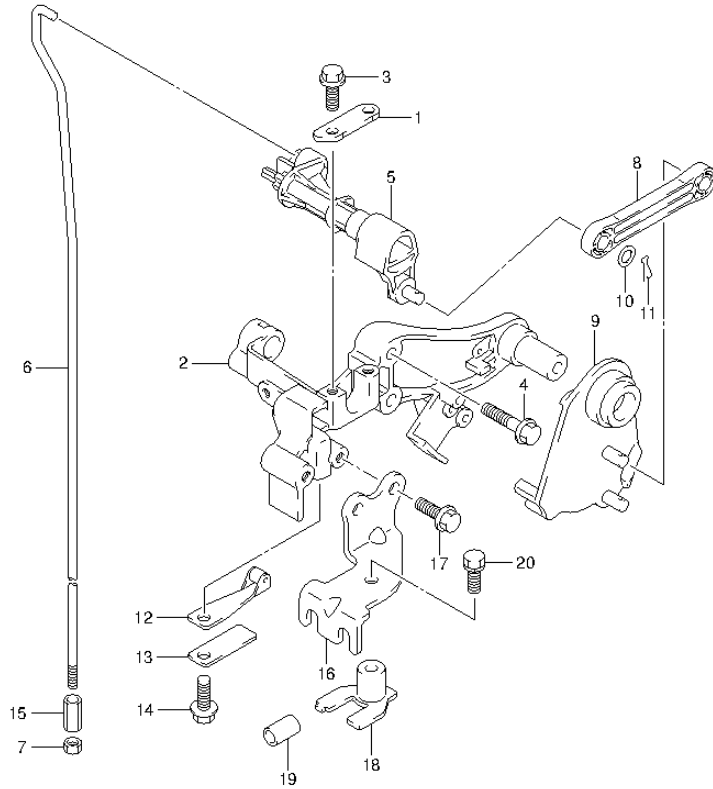


FIG.138 (2-B-4) CLUTCH SHAFT (DF40AST E34)

REF NO.	PART NO.	DESCRIPTION	Q'TY	REMARKS
1	21126-88L00	HOLDER, CLUTCH SHAFT	1	
2	21151-88L00	HOLDER, CLUTCH LEVER	1	
3	01550-06167	BOLT	2	
4	01550-06307	BOLT	2	
5	21210-88L00	SHAFT, CLUTCH	1	
6-1	23111-88L00	ROD, CLUTCH (S)	1	W/TRANSOM(S)
6-2	23111-88L10	ROD, CLUTCH (L)	1	W/TRANSOM(L)
7	29141-93J00	NUT, CLUTCH ROD	1	
8	23115-88L00	LINK, CLUTCH LEVER	1	
9	23210-88L00	LEVER, CLUTCH CONTROL	1	
10	09160-06055	WASHER (7X12X1)	2	
11	09385-06012	CLIP	2	
12	23213-89J01	SPRING, NOTCH PLATE NO.1	1	
13	23214-89J00	SPRING, NOTCH PLATE NO.2	1	
14	01550-06127	BOLT	1	
15	23311-95J00	TURNBUCKLE, CLUTCH ROD	1	
16	67341-88L01	HOLDER, REMOCON CABLE	1	
17	01550-06167	BOLT	2	
18	67343-88L01	STOPPER, REMOCON CABLE	1	
19	09352-70103-600	HOSE (7X10.2X600)	2	L:600->14
20	01570-06167	BOLT	1	

FIG.139

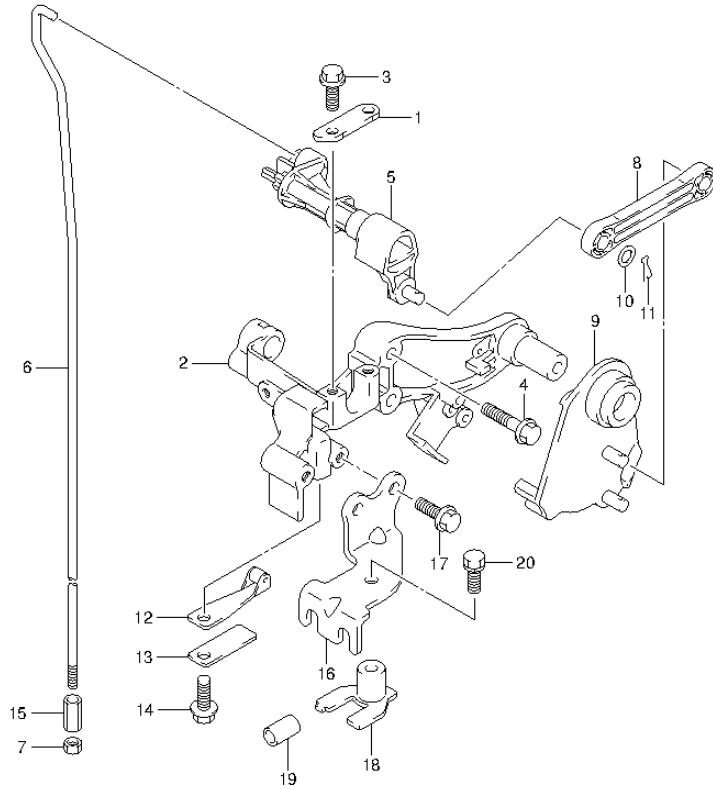


FIG.139 (2-B-5) CLUTCH SHAFT (DF50A E01)

REF NO.	PART NO.	DESCRIPTION	Q'TY	REMARKS
1	21126-88L00	HOLDER, CLUTCH SHAFT	1	
2	21151-88L00	HOLDER, CLUTCH LEVER	1	
3	01550-06167	BOLT	2	
4	01550-06307	BOLT	2	
5	21210-88L00	SHAFT, CLUTCH	1	
6-1	23111-88L00	ROD, CLUTCH (S)	1	W/TRANSOM(S)
6-2	23111-88L10	ROD, CLUTCH (L)	1	W/TRANSOM(L)
7	29141-93J00	NUT, CLUTCH ROD	1	
8	23115-88L00	LINK, CLUTCH LEVER	1	
9	23210-88L00	LEVER, CLUTCH CONTROL	1	
10	09160-06055	WASHER (7X12X1)	2	
11	09385-06012	CLIP	2	
12	23213-89J01	SPRING, NOTCH PLATE NO.1	1	
13	23214-89J00	SPRING, NOTCH PLATE NO.2	1	
14	01550-06127	BOLT	1	
15	23311-95J00	TURNBUCKLE, CLUTCH ROD	1	
16	67341-88L01	HOLDER, REMOCON CABLE	1	
17	01550-06167	BOLT	2	
18	67343-88L01	STOPPER, REMOCON CABLE	1	
19	09352-70103-600	HOSE (7X10.2X600)	2	L:600->14
20	01570-06167	BOLT	1	

FIG.140

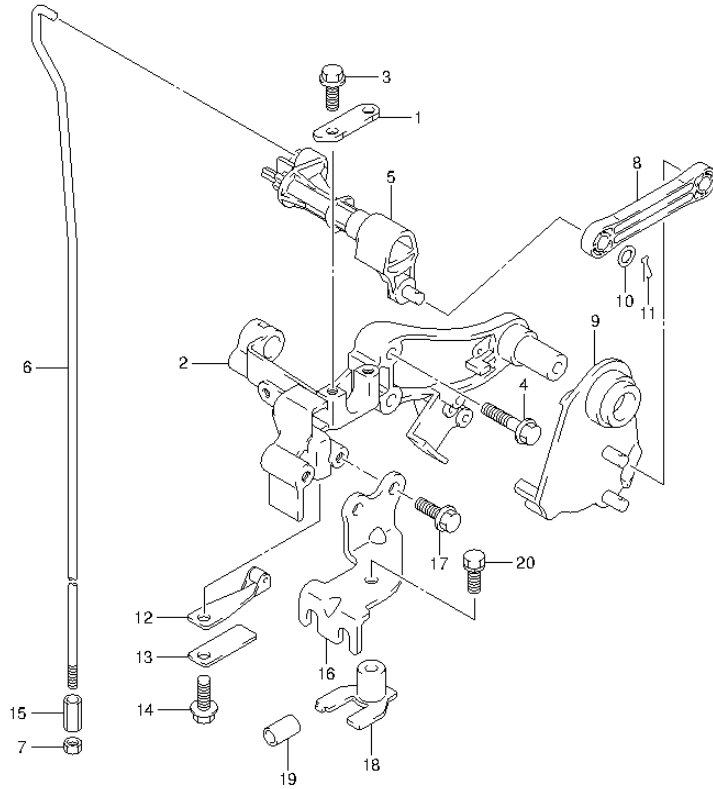


FIG.140 (2-B-6) CLUTCH SHAFT (DF50ATH E01)

REF NO.	PART NO.	DESCRIPTION	Q'TY	REMARKS
1	21126-88L00	HOLDER, CLUTCH SHAFT	1	
2	21151-88L00	HOLDER, CLUTCH LEVER	1	
3	01550-06167	BOLT	2	
4	01550-06307	BOLT	2	
5	21210-88L00	SHAFT, CLUTCH	1	
6	23111-88L10	ROD, CLUTCH (L)	1	
7	29141-93J00	NUT, CLUTCH ROD	1	
8	23115-88L00	LINK, CLUTCH LEVER	1	
9	23210-88L00	LEVER, CLUTCH CONTROL	1	
10	09160-06055	WASHER (7X12X1)	2	
11	09385-06012	CLIP	2	
12	23213-89J01	SPRING, NOTCH PLATE NO.1	1	
13	23214-89J00	SPRING, NOTCH PLATE NO.2	1	
14	01550-06127	BOLT	1	
15	23311-95J00	TURNBUCKLE, CLUTCH ROD	1	
16	67341-88L01	HOLDER, REMOCON CABLE	1	
17	01550-06167	BOLT	2	
18	67343-88L01	STOPPER, REMOCON CABLE	1	
19	09352-70103-600	HOSE (7X10.2X600)	2	L:600->14
20	01570-06167	BOLT	1	

FIG.141

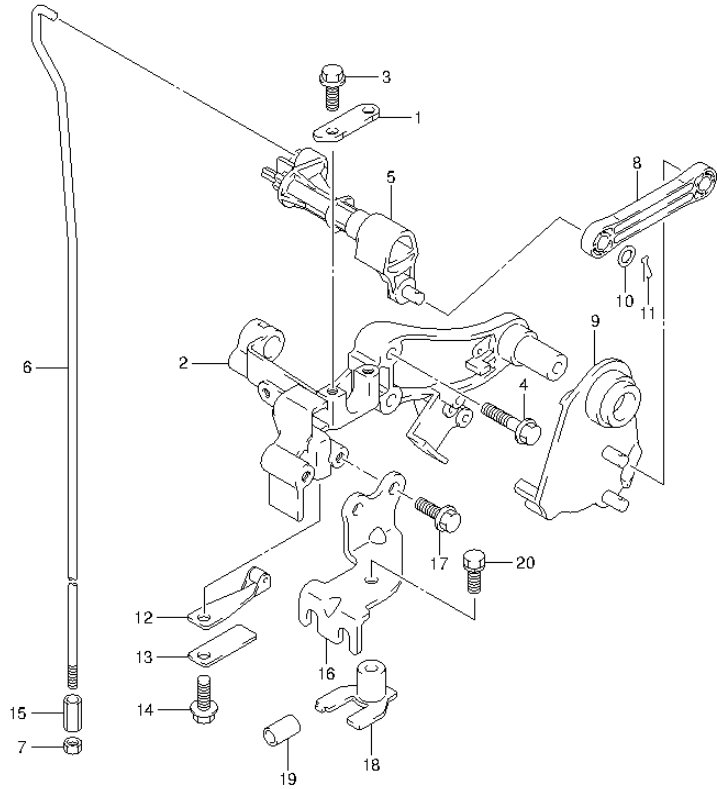


FIG.141 (2-B-7) CLUTCH SHAFT (DF60A E01)

REF NO.	PART NO.	DESCRIPTION	Q'TY	REMARKS
1	21126-88L00	HOLDER, CLUTCH SHAFT	1	
2	21151-88L00	HOLDER, CLUTCH LEVER	1	
3	01550-06167	BOLT	2	
4	01550-06307	BOLT	2	
5	21210-88L00	SHAFT, CLUTCH	1	
6-1	23111-88L00	ROD, CLUTCH (S)	1	W/TRANSOM(S)
6-2	23111-88L10	ROD, CLUTCH (L)	1	W/TRANSOM(L) W/TRANSOM(X)
7	29141-93J00	NUT, CLUTCH ROD	1	
8	23115-88L00	LINK, CLUTCH LEVER	1	
9	23210-88L00	LEVER, CLUTCH CONTROL	1	
10	09160-06055	WASHER (7X12X1)	2	
11	09385-06012	CLIP	2	
12	23213-89J01	SPRING, NOTCH PLATE NO.1	1	
13	23214-89J00	SPRING, NOTCH PLATE NO.2	1	
14	01550-06127	BOLT	1	
15	23311-95J00	TURNBUCKLE, CLUTCH ROD	1	
16	67341-88L01	HOLDER, REMOCON CABLE	1	
17	01550-06167	BOLT	2	
18	67343-88L01	STOPPER, REMOCON CABLE	1	
19	09352-70103-600	HOSE (7X10.2X600)	2	L:600->14
20	01570-06167	BOLT	1	

FIG.142

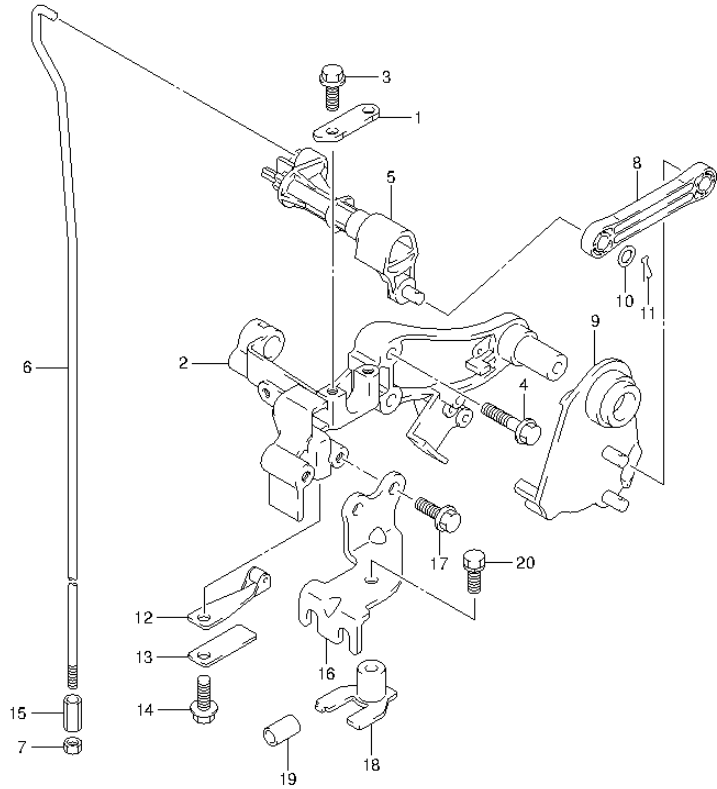


FIG.142 (2-B-8) CLUTCH SHAFT (DF60A E40)

REF NO.	PART NO.	DESCRIPTION	Q'TY	REMARKS
1	21126-88L00	HOLDER, CLUTCH SHAFT	1	
2	21151-88L00	HOLDER, CLUTCH LEVER	1	
3	01550-06167	BOLT	2	
4	01550-06307	BOLT	2	
5	21210-88L00	SHAFT, CLUTCH	1	
6	23111-88L10	ROD, CLUTCH (L)	1	W/TRANSOM(L) W/TRANSOM(X)
7	29141-93J00	NUT, CLUTCH ROD	1	
8	23115-88L00	LINK, CLUTCH LEVER	1	
9	23210-88L00	LEVER, CLUTCH CONTROL	1	
10	09160-06055	WASHER (7X12X1)	2	
11	09385-06012	CLIP	2	
12	23213-89J01	SPRING, NOTCH PLATE NO.1	1	
13	23214-89J00	SPRING, NOTCH PLATE NO.2	1	
14	01550-06127	BOLT	1	
15	23311-95J00	TURNBUCKLE, CLUTCH ROD	1	
16	67341-88L01	HOLDER, REMOCON CABLE	1	
17	01550-06167	BOLT	2	
18	67343-88L01	STOPPER, REMOCON CABLE	1	
19	09352-70103-600	HOSE (7X10.2X600)	2	L:600->14
20	01570-06167	BOLT	1	

FIG.143

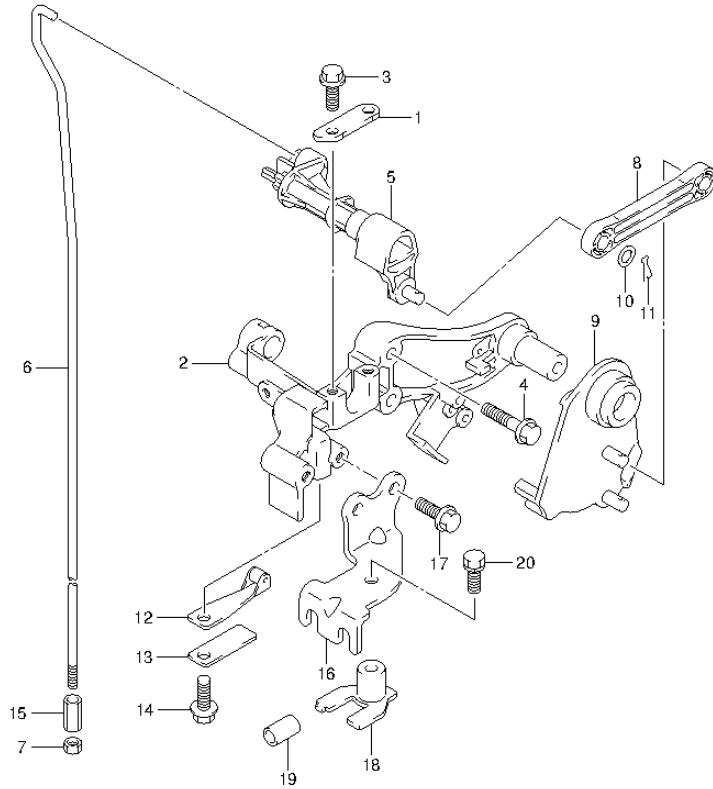


FIG.143 (2-B-9) CLUTCH SHAFT (DF60AQH E01)

REF NO.	PART NO.	DESCRIPTION	Q'TY	REMARKS
1	21126-88L00	HOLDER, CLUTCH SHAFT	1	
2	21151-88L00	HOLDER, CLUTCH LEVER	1	
3	01550-06167	BOLT	2	
4	01550-06307	BOLT	2	
5	21210-88L00	SHAFT, CLUTCH	1	
6	23111-88L10	ROD, CLUTCH (L)	1	W/TRANSOM(L) W/TRANSOM(X)
7	29141-93J00	NUT, CLUTCH ROD	1	
8	23115-88L00	LINK, CLUTCH LEVER	1	
9	23210-88L00	LEVER, CLUTCH CONTROL	1	
10	09160-06055	WASHER (7X12X1)	2	
11	09385-06012	CLIP	2	
12	23213-89J01	SPRING, NOTCH PLATE NO.1	1	
13	23214-89J00	SPRING, NOTCH PLATE NO.2	1	
14	01550-06127	BOLT	1	
15	23311-95J00	TURNBUCKLE, CLUTCH ROD	1	
16	67341-88L01	HOLDER, REMOCON CABLE	1	
17	01550-06167	BOLT	2	
18	67343-88L01	STOPPER, REMOCON CABLE	1	
19	09352-70103-600	HOSE (7X10.2X600)	2	L:600->14
20	01570-06167	BOLT	1	

FIG.144

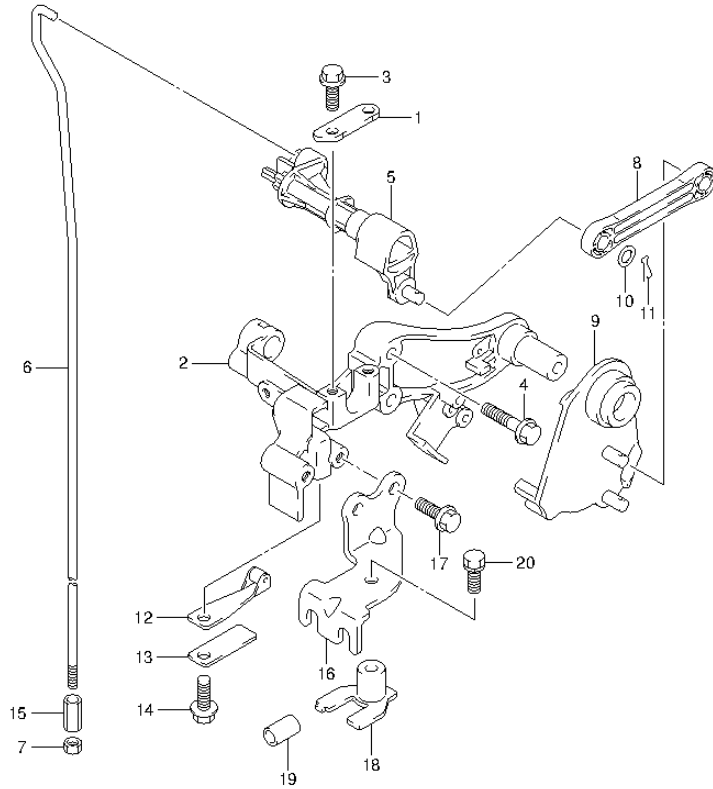


FIG.144 (2-B-10) CLUTCH SHAFT (DF60AQH E40)

REF NO.	PART NO.	DESCRIPTION	Q'TY	REMARKS
1	21126-88L00	HOLDER, CLUTCH SHAFT	1	
2	21151-88L00	HOLDER, CLUTCH LEVER	1	
3	01550-06167	BOLT	2	
4	01550-06307	BOLT	2	
5	21210-88L00	SHAFT, CLUTCH	1	
6	23111-88L10	ROD, CLUTCH (L)	1	W/TRANSOM(L) W/TRANSOM(X)
7	29141-93J00	NUT, CLUTCH ROD	1	
8	23115-88L00	LINK, CLUTCH LEVER	1	
9	23210-88L00	LEVER, CLUTCH CONTROL	1	
10	09160-06055	WASHER (7X12X1)	2	
11	09385-06012	CLIP	2	
12	23213-89J01	SPRING, NOTCH PLATE NO.1	1	
13	23214-89J00	SPRING, NOTCH PLATE NO.2	1	
14	01550-06127	BOLT	1	
15	23311-95J00	TURNBUCKLE, CLUTCH ROD	1	
16	67341-88L01	HOLDER, REMOCON CABLE	1	
17	01550-06167	BOLT	2	
18	67343-88L01	STOPPER, REMOCON CABLE	1	
19	09352-70103-600	HOSE (7X10.2X600)	2	L:600->14
20	01570-06167	BOLT	1	

FIG.145

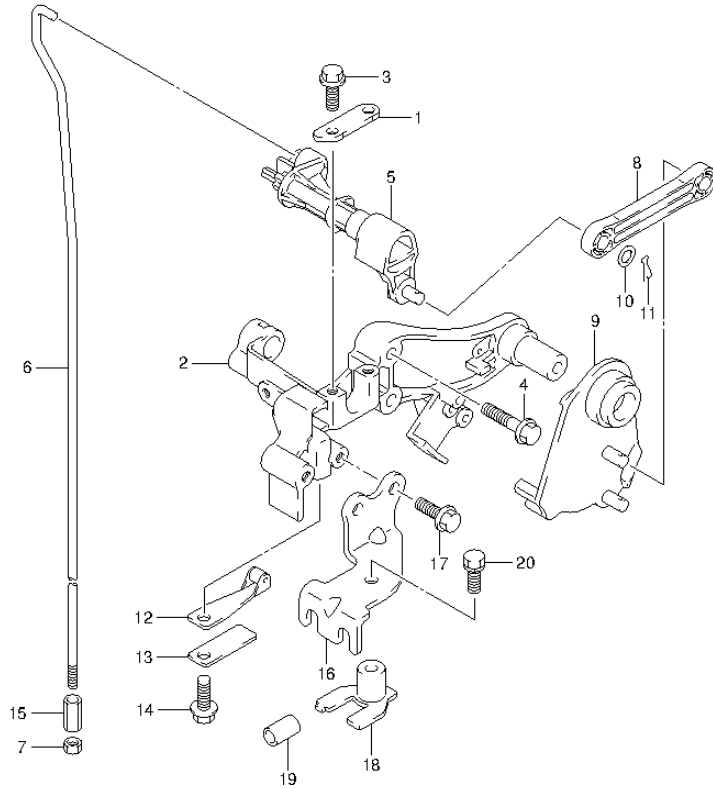


FIG.145 (2-B-11) CLUTCH SHAFT (DF60ATH E01)

REF NO.	PART NO.	DESCRIPTION	Q'TY	REMARKS
1	21126-88L00	HOLDER, CLUTCH SHAFT	1	
2	21151-88L00	HOLDER, CLUTCH LEVER	1	
3	01550-06167	BOLT	2	
4	01550-06307	BOLT	2	
5	21210-88L00	SHAFT, CLUTCH	1	
6	23111-88L10	ROD, CLUTCH (L)	1	W/TRANSOM(L) W/TRANSOM(X)
7	29141-93J00	NUT, CLUTCH ROD	1	
8	23115-88L00	LINK, CLUTCH LEVER	1	
9	23210-88L00	LEVER, CLUTCH CONTROL	1	
10	09160-06055	WASHER (7X12X1)	2	
11	09385-06012	CLIP	2	
12	23213-89J01	SPRING, NOTCH PLATE NO.1	1	
13	23214-89J00	SPRING, NOTCH PLATE NO.2	1	
14	01550-06127	BOLT	1	
15	23311-95J00	TURNBUCKLE, CLUTCH ROD	1	
16	67341-88L01	HOLDER, REMOCON CABLE	1	
17	01550-06167	BOLT	2	
18	67343-88L01	STOPPER, REMOCON CABLE	1	
19	09352-70103-600	HOSE (7X10.2X600)	2	L:600->14
20	01570-06167	BOLT	1	

FIG.146

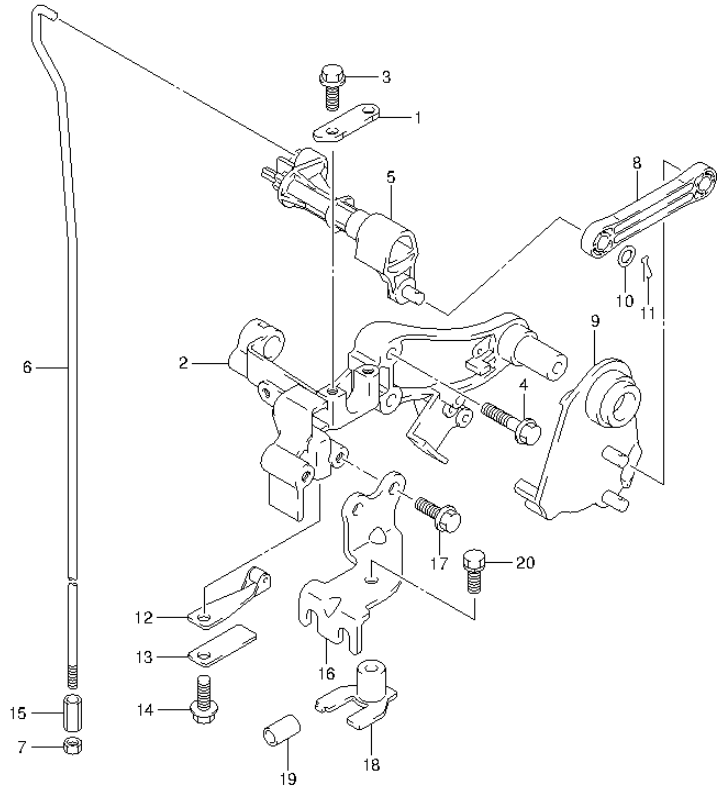


FIG.146 (2-B-12) CLUTCH SHAFT (DF60ATH E40)

REF NO.	PART NO.	DESCRIPTION	Q'TY	REMARKS
1	21126-88L00	HOLDER, CLUTCH SHAFT	1	
2	21151-88L00	HOLDER, CLUTCH LEVER	1	
3	01550-06167	BOLT	2	
4	01550-06307	BOLT	2	
5	21210-88L00	SHAFT, CLUTCH	1	
6	23111-88L10	ROD, CLUTCH (L)	1	W/TRANSOM(L) W/TRANSOM(X)
7	29141-93J00	NUT, CLUTCH ROD	1	
8	23115-88L00	LINK, CLUTCH LEVER	1	
9	23210-88L00	LEVER, CLUTCH CONTROL	1	
10	09160-06055	WASHER (7X12X1)	2	
11	09385-06012	CLIP	2	
12	23213-89J01	SPRING, NOTCH PLATE NO.1	1	
13	23214-89J00	SPRING, NOTCH PLATE NO.2	1	
14	01550-06127	BOLT	1	
15	23311-95J00	TURNBUCKLE, CLUTCH ROD	1	
16	67341-88L01	HOLDER, REMOCON CABLE	1	
17	01550-06167	BOLT	2	
18	67343-88L01	STOPPER, REMOCON CABLE	1	
19	09352-70103-600	HOSE (7X10.2X600)	2	L:600->14
20	01570-06167	BOLT	1	

FIG.147

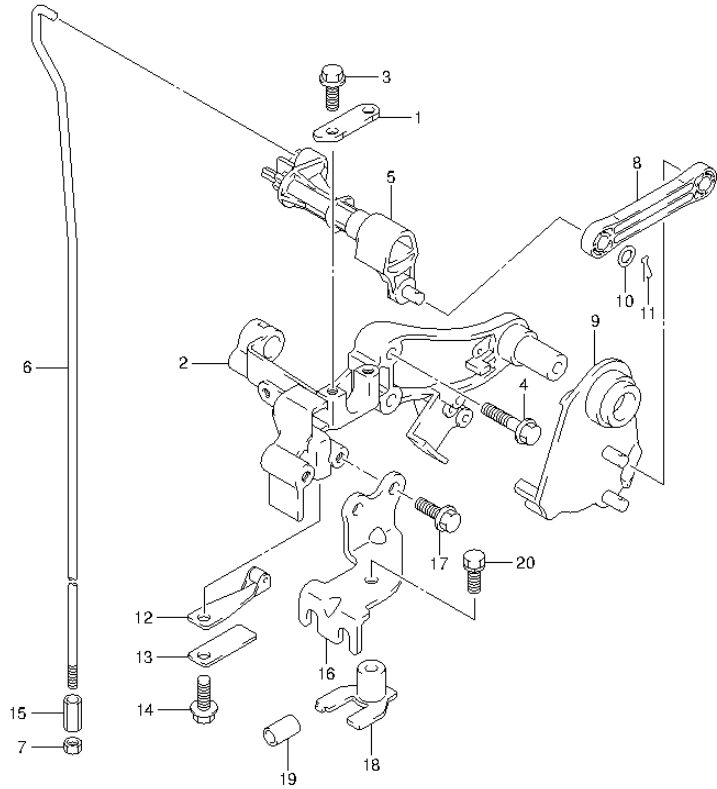


FIG.147 (2-B-13) CLUTCH SHAFT (DF50AVT E01)

REF NO.	PART NO.	DESCRIPTION	Q'TY	REMARKS
1	21126-88L00	HOLDER, CLUTCH SHAFT	1	
2	21151-88L00	HOLDER, CLUTCH LEVER	1	
3	01550-06167	BOLT	2	
4	01550-06307	BOLT	2	
5	21210-88L00	SHAFT, CLUTCH	1	
6	23111-88L10	ROD, CLUTCH (L)	1	
7	29141-93J00	NUT, CLUTCH ROD	1	
8	23115-88L00	LINK, CLUTCH LEVER	1	
9	23210-88L00	LEVER, CLUTCH CONTROL	1	
10	09160-06055	WASHER (7X12X1)	2	
11	09385-06012	CLIP	2	
12	23213-89J01	SPRING, NOTCH PLATE NO.1	1	
13	23214-89J00	SPRING, NOTCH PLATE NO.2	1	
14	01550-06127	BOLT	1	
15	23311-95J00	TURNBUCKLE, CLUTCH ROD	1	
16	67341-88L01	HOLDER, REMOCON CABLE	1	
17	01550-06167	BOLT	2	
18	67343-88L01	STOPPER, REMOCON CABLE	1	
19	09352-70103-600	HOSE (7X10.2X600)	2	L:600->14
20	01570-06167	BOLT	1	

FIG.148

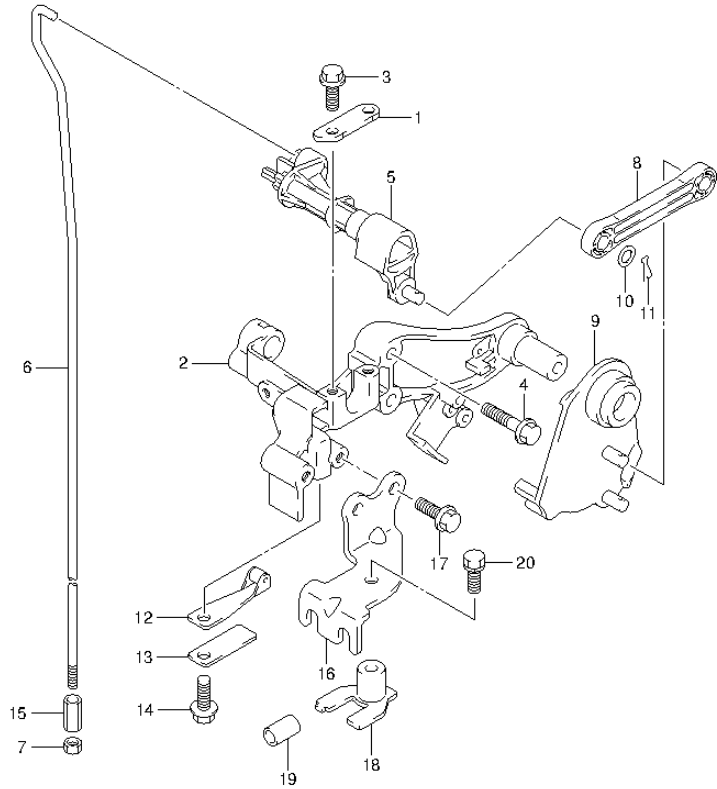


FIG.148 (2-B-14) CLUTCH SHAFT (DF50AVTH E01)

REF NO.	PART NO.	DESCRIPTION	Q'TY	REMARKS
1	21126-88L00	HOLDER, CLUTCH SHAFT	1	
2	21151-88L00	HOLDER, CLUTCH LEVER	1	
3	01550-06167	BOLT	2	
4	01550-06307	BOLT	2	
5	21210-88L00	SHAFT, CLUTCH	1	
6	23111-88L10	ROD, CLUTCH (L)	1	
7	29141-93J00	NUT, CLUTCH ROD	1	
8	23115-88L00	LINK, CLUTCH LEVER	1	
9	23210-88L00	LEVER, CLUTCH CONTROL	1	
10	09160-06055	WASHER (7X12X1)	2	
11	09385-06012	CLIP	2	
12	23213-89J01	SPRING, NOTCH PLATE NO.1	1	
13	23214-89J00	SPRING, NOTCH PLATE NO.2	1	
14	01550-06127	BOLT	1	
15	23311-95J00	TURNBUCKLE, CLUTCH ROD	1	
16	67341-88L01	HOLDER, REMOCON CABLE	1	
17	01550-06167	BOLT	2	
18	67343-88L01	STOPPER, REMOCON CABLE	1	
19	09352-70103-600	HOSE (7X10.2X600)	2	L:600->14
20	01570-06167	BOLT	1	

FIG.149

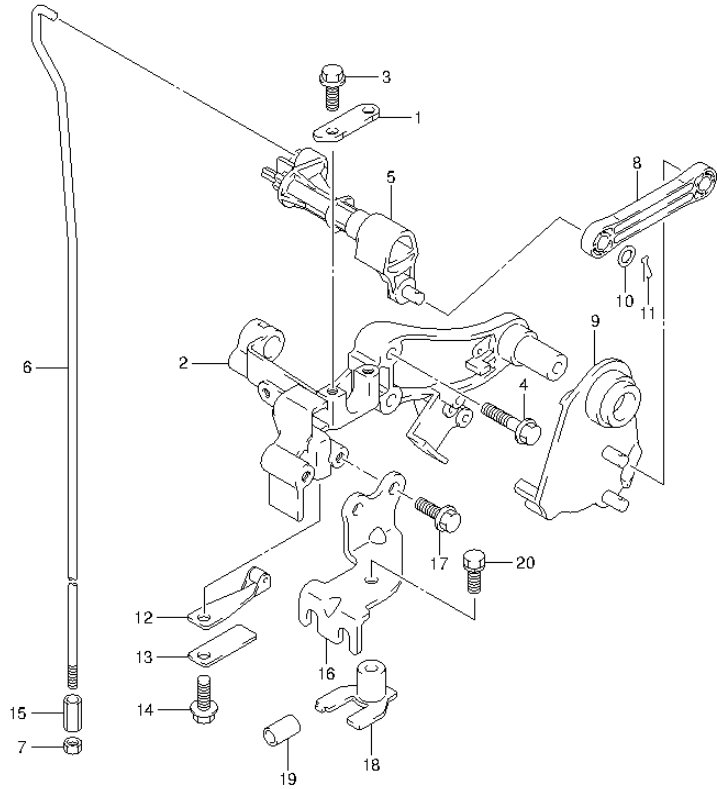


FIG.149 (2-B-15) CLUTCH SHAFT (DF60AVT E01)

REF NO.	PART NO.	DESCRIPTION	Q'TY	REMARKS
1	21126-88L00	HOLDER, CLUTCH SHAFT	1	
2	21151-88L00	HOLDER, CLUTCH LEVER	1	
3	01550-06167	BOLT	2	
4	01550-06307	BOLT	2	
5	21210-88L00	SHAFT, CLUTCH	1	
6	23111-88L10	ROD, CLUTCH (L)	1	W/TRANSOM(L) W/TRANSOM(X)
7	29141-93J00	NUT, CLUTCH ROD	1	
8	23115-88L00	LINK, CLUTCH LEVER	1	
9	23210-88L00	LEVER, CLUTCH CONTROL	1	
10	09160-06055	WASHER (7X12X1)	2	
11	09385-06012	CLIP	2	
12	23213-89J01	SPRING, NOTCH PLATE NO.1	1	
13	23214-89J00	SPRING, NOTCH PLATE NO.2	1	
14	01550-06127	BOLT	1	
15	23311-95J00	TURNBUCKLE, CLUTCH ROD	1	
16	67341-88L01	HOLDER, REMOCON CABLE	1	
17	01550-06167	BOLT	2	
18	67343-88L01	STOPPER, REMOCON CABLE	1	
19	09352-70103-600	HOSE (7X10.2X600)	2	L:600->14
20	01570-06167	BOLT	1	

FIG.150

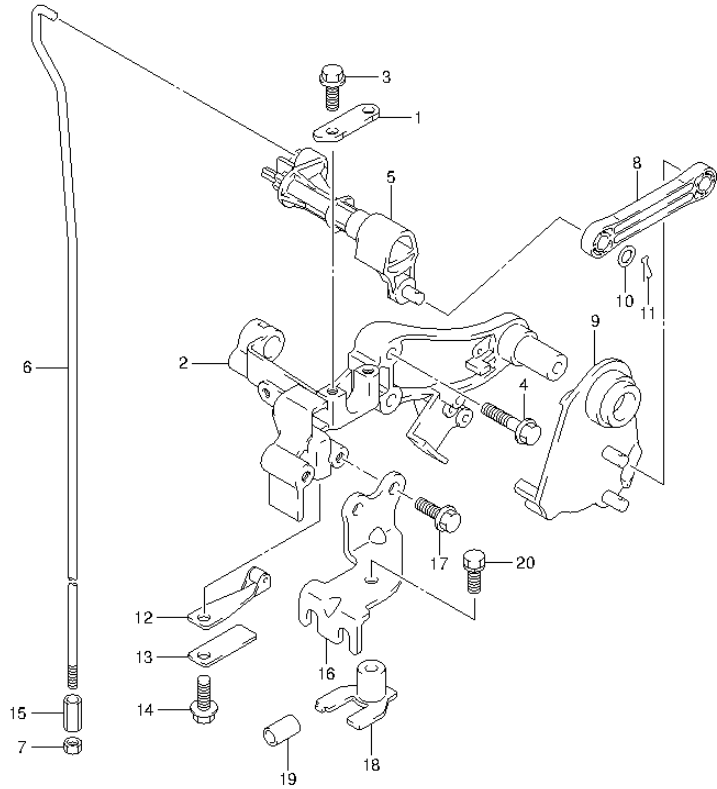


FIG.150 (2-C-2) CLUTCH SHAFT (DF60AVT E40)

REF NO.	PART NO.	DESCRIPTION	Q'TY	REMARKS
1	21126-88L00	HOLDER, CLUTCH SHAFT	1	
2	21151-88L00	HOLDER, CLUTCH LEVER	1	
3	01550-06167	BOLT	2	
4	01550-06307	BOLT	2	
5	21210-88L00	SHAFT, CLUTCH	1	
6	23111-88L10	ROD, CLUTCH (L)	1	W/TRANSOM(L) W/TRANSOM(X)
7	29141-93J00	NUT, CLUTCH ROD	1	
8	23115-88L00	LINK, CLUTCH LEVER	1	
9	23210-88L00	LEVER, CLUTCH CONTROL	1	
10	09160-06055	WASHER (7X12X1)	2	
11	09385-06012	CLIP	2	
12	23213-89J01	SPRING, NOTCH PLATE NO.1	1	
13	23214-89J00	SPRING, NOTCH PLATE NO.2	1	
14	01550-06127	BOLT	1	
15	23311-95J00	TURNBUCKLE, CLUTCH ROD	1	
16	67341-88L01	HOLDER, REMOCON CABLE	1	
17	01550-06167	BOLT	2	
18	67343-88L01	STOPPER, REMOCON CABLE	1	
19	09352-70103-600	HOSE (7X10.2X600)	2	L:600->14
20	01570-06167	BOLT	1	

FIG.151

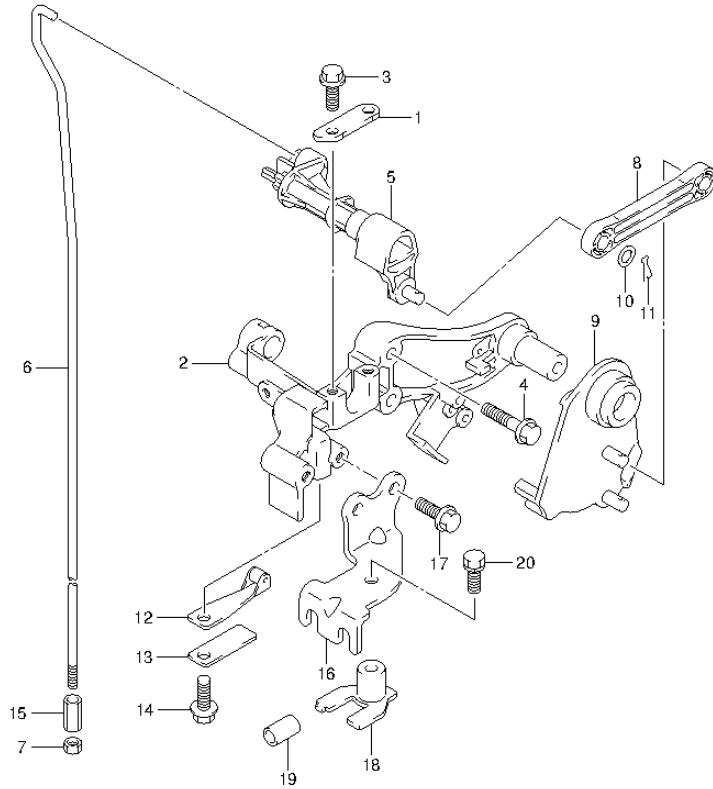


FIG.151 (2-C-3) CLUTCH SHAFT (DF60AVTH E01)

REF NO.	PART NO.	DESCRIPTION	Q'TY	REMARKS
1	21126-88L00	HOLDER, CLUTCH SHAFT	1	
2	21151-88L00	HOLDER, CLUTCH LEVER	1	
3	01550-06167	BOLT	2	
4	01550-06307	BOLT	2	
5	21210-88L00	SHAFT, CLUTCH	1	
6	23111-88L10	ROD, CLUTCH (L)	1	W/TRANSOM(L) W/TRANSOM(X)
7	29141-93J00	NUT, CLUTCH ROD	1	
8	23115-88L00	LINK, CLUTCH LEVER	1	
9	23210-88L00	LEVER, CLUTCH CONTROL	1	
10	09160-06055	WASHER (7X12X1)	2	
11	09385-06012	CLIP	2	
12	23213-89J01	SPRING, NOTCH PLATE NO.1	1	
13	23214-89J00	SPRING, NOTCH PLATE NO.2	1	
14	01550-06127	BOLT	1	
15	23311-95J00	TURNBUCKLE, CLUTCH ROD	1	
16	67341-88L01	HOLDER, REMOCON CABLE	1	
17	01550-06167	BOLT	2	
18	67343-88L01	STOPPER, REMOCON CABLE	1	
19	09352-70103-600	HOSE (7X10.2X600)	2	L:600->14
20	01570-06167	BOLT	1	

FIG.152

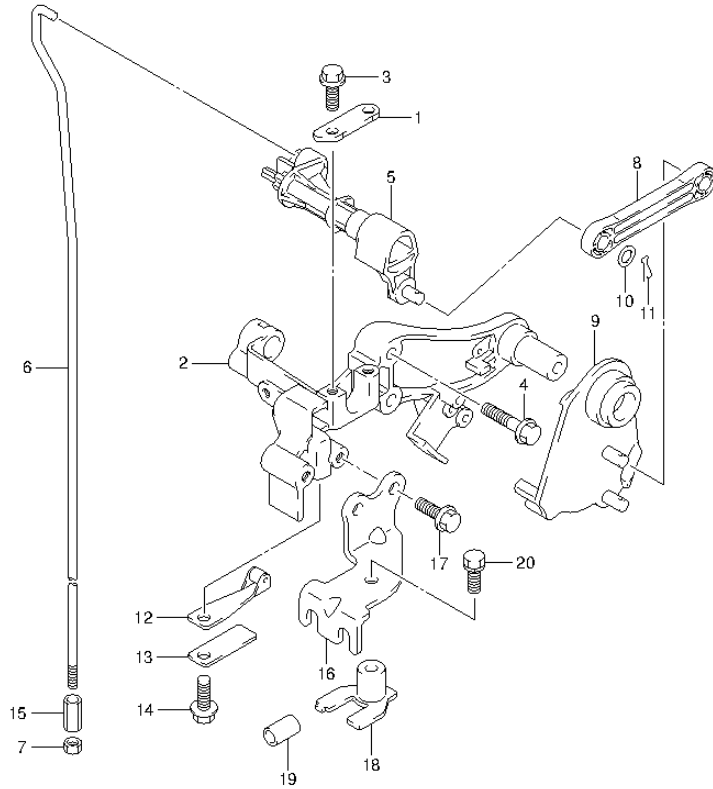


FIG.152 (2-C-4) CLUTCH SHAFT (DF60AVTH E40)

REF NO.	PART NO.	DESCRIPTION	Q'TY	REMARKS
1	21126-88L00	HOLDER, CLUTCH SHAFT	1	
2	21151-88L00	HOLDER, CLUTCH LEVER	1	
3	01550-06167	BOLT	2	
4	01550-06307	BOLT	2	
5	21210-88L00	SHAFT, CLUTCH	1	
6	23111-88L10	ROD, CLUTCH (L)	1	W/TRANSOM(L) W/TRANSOM(X)
7	29141-93J00	NUT, CLUTCH ROD	1	
8	23115-88L00	LINK, CLUTCH LEVER	1	
9	23210-88L00	LEVER, CLUTCH CONTROL	1	
10	09160-06055	WASHER (7X12X1)	2	
11	09385-06012	CLIP	2	
12	23213-89J01	SPRING, NOTCH PLATE NO.1	1	
13	23214-89J00	SPRING, NOTCH PLATE NO.2	1	
14	01550-06127	BOLT	1	
15	23311-95J00	TURNBUCKLE, CLUTCH ROD	1	
16	67341-88L01	HOLDER, REMOCON CABLE	1	
17	01550-06167	BOLT	2	
18	67343-88L01	STOPPER, REMOCON CABLE	1	
19	09352-70103-600	HOSE (7X10.2X600)	2	L:600->14
20	01570-06167	BOLT	1	

FIG.153

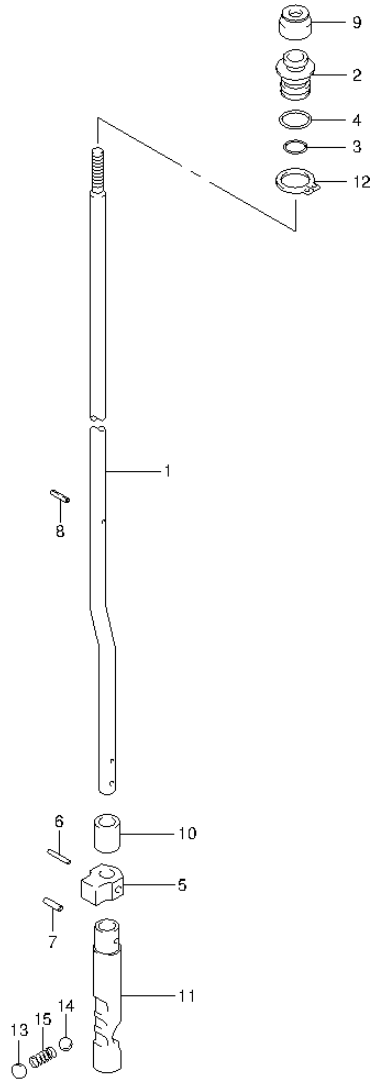


FIG.153 (2-C-5) SHIFT ROD (DF40A E01)

REF NO.	PART NO.	DESCRIPTION	Q'TY	REMARKS
1-1	25111-88L00	ROD, SHIFT (S)	1	W/TRANSOM(S)
1-2	25111-88L10	ROD, SHIFT (L)	1	W/TRANSOM(L)
2	25211-87J00	GUIDE, SHIFT ROD	1	
3	09280-08005	O RING (D:1.7,ID:7.7)	1	
4	09280-11001	O RING (D:2.4,ID:10.8)	1	
5	25212-94401	GUIDE, SHIFT ROD LOWER	1	
6	09205-02013	SPRING PIN (2.5X16)	1	
7	09205-03021	SPRING PIN (3.5X12)	1	
8	09205-02004	SPRING PIN (2.5X12)	1	
9	25223-94400	SEAL, SHIFT ROD DUST	1	
10	25232-96302	MAGNET, GEAR CASE	1	
11	25311-88L00	CAM, SHIFT	1	
12	08331-3115A	CIRCLIP	1	
13	21121-93300	PLATE, DETENT SPRING	1	
14	09260-10005	BALL	1	
15	09440-07078	SPRING	1	

FIG.154

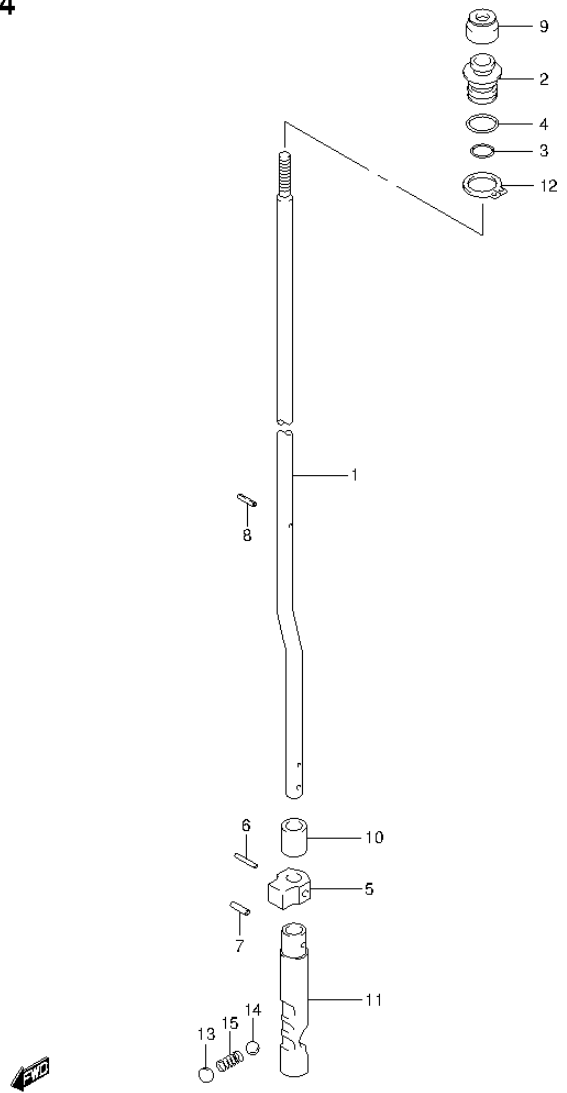


FIG.154 (2-C-6) SHIFT ROD (DF40AQH E01)

REF NO.	PART NO.	DESCRIPTION	Q'TY	REMARKS
1	25111-88L10	ROD, SHIFT (L)	1	
2	25211-87J00	GUIDE, SHIFT ROD	1	
3	09280-08005	O RING (D:1.7,ID:7.7)	1	
4	09280-11001	O RING (D:2.4,ID:10.8)	1	
5	25212-94401	GUIDE, SHIFT ROD LOWER	1	
6	09205-02013	SPRING PIN (2.5X16)	1	
7	09205-03021	SPRING PIN (3.5X12)	1	
8	09205-02004	SPRING PIN (2.5X12)	1	
9	25223-94400	SEAL, SHIFT ROD DUST	1	
10	25232-96302	MAGNET, GEAR CASE	1	
11	25311-88L00	CAM, SHIFT	1	
12	08331-3115A	CIRCLIP	1	
13	21121-93300	PLATE, DETENT SPRING	1	
14	09260-10005	BALL	1	
15	09440-07078	SPRING	1	

FIG.155

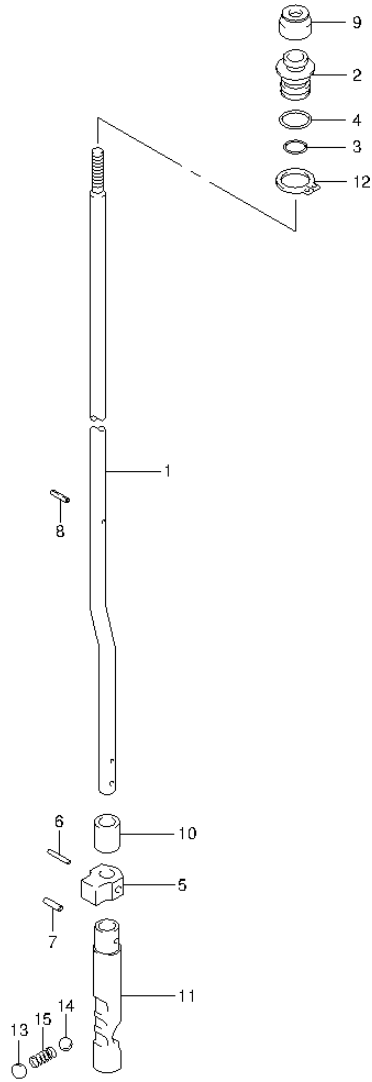


FIG.155 (2-C-7) SHIFT ROD (DF40ATH E01)

REF NO.	PART NO.	DESCRIPTION	Q'TY	REMARKS
1	25111-88L10	ROD, SHIFT (L)	1	
2	25211-87J00	GUIDE, SHIFT ROD	1	
3	09280-08005	O RING (D:1.7,ID:7.7)	1	
4	09280-11001	O RING (D:2.4,ID:10.8)	1	
5	25212-94401	GUIDE, SHIFT ROD LOWER	1	
6	09205-02013	SPRING PIN (2.5X16)	1	
7	09205-03021	SPRING PIN (3.5X12)	1	
8	09205-02004	SPRING PIN (2.5X12)	1	
9	25223-94400	SEAL, SHIFT ROD DUST	1	
10	25232-96302	MAGNET, GEAR CASE	1	
11	25311-88L00	CAM, SHIFT	1	
12	08331-3115A	CIRCLIP	1	
13	21121-93300	PLATE, DETENT SPRING	1	
14	09260-10005	BALL	1	
15	09440-07078	SPRING	1	

FIG.156

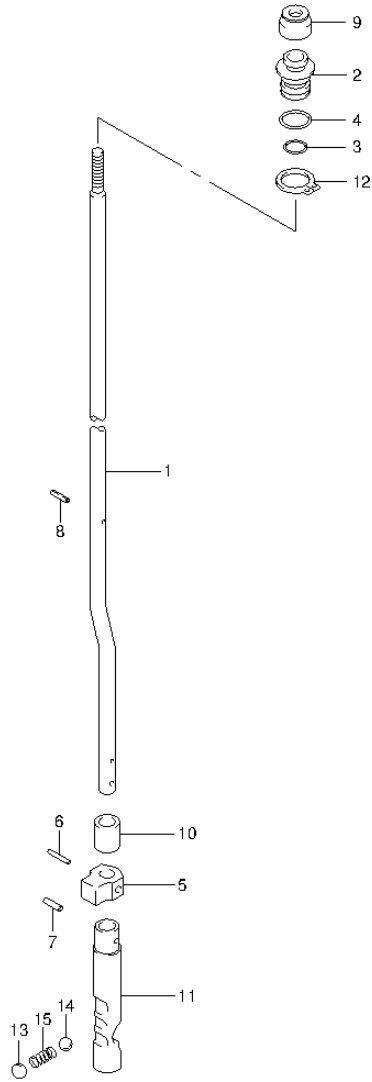


FIG.156 (2-C-8) SHIFT ROD (DF40AST E34)

REF NO.	PART NO.	DESCRIPTION	Q'TY	REMARKS
1-1	25111-88L00	ROD, SHIFT (S)	1	W/TRANSOM(S)
1-2	25111-88L10	ROD, SHIFT (L)	1	W/TRANSOM(L)
2	25211-87J00	GUIDE, SHIFT ROD	1	
3	09280-08005	O RING (D:1.7,ID:7.7)	1	
4	09280-11001	O RING (D:2.4,ID:10.8)	1	
5	25212-94401	GUIDE, SHIFT ROD LOWER	1	
6	09205-02013	SPRING PIN (2.5X16)	1	
7	09205-03021	SPRING PIN (3.5X12)	1	
8	09205-02004	SPRING PIN (2.5X12)	1	
9	25223-94400	SEAL, SHIFT ROD DUST	1	
10	25232-96302	MAGNET, GEAR CASE	1	
11	25311-88L00	CAM, SHIFT	1	
12	08331-3115A	CIRCLIP	1	
13	21121-93300	PLATE, DETENT SPRING	1	
14	09260-10005	BALL	1	
15	09440-07078	SPRING	1	

FIG.157

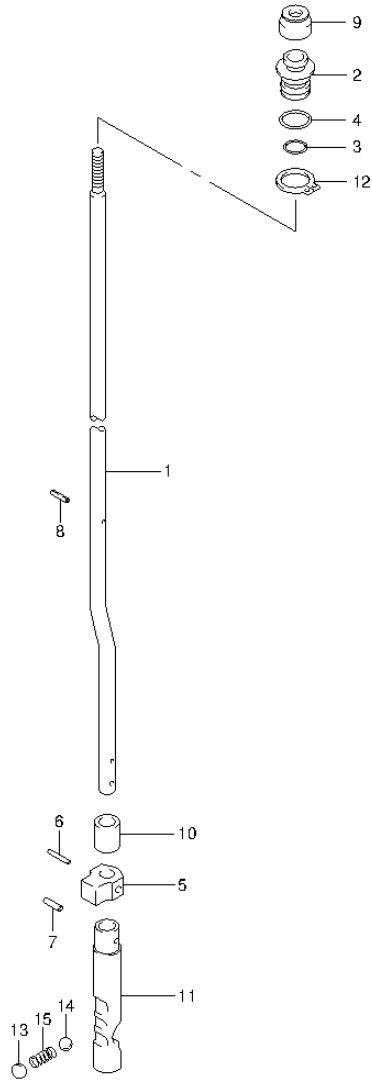


FIG.157 (2-C-9) SHIFT ROD (DF50A E01)

REF NO.	PART NO.	DESCRIPTION	Q'TY	REMARKS
1-1	25111-88L00	ROD, SHIFT (S)	1	W/TRANSOM(S)
1-2	25111-88L10	ROD, SHIFT (L)	1	W/TRANSOM(L)
2	25211-87J00	GUIDE, SHIFT ROD	1	
3	09280-08005	O RING (D:1.7,ID:7.7)	1	
4	09280-11001	O RING (D:2.4,ID:10.8)	1	
5	25212-94401	GUIDE, SHIFT ROD LOWER	1	
6	09205-02013	SPRING PIN (2.5X16)	1	
7	09205-03021	SPRING PIN (3.5X12)	1	
8	09205-02004	SPRING PIN (2.5X12)	1	
9	25223-94400	SEAL, SHIFT ROD DUST	1	
10	25232-96302	MAGNET, GEAR CASE	1	
11	25311-88L00	CAM, SHIFT	1	
12	08331-3115A	CIRCLIP	1	
13	21121-93300	PLATE, DETENT SPRING	1	
14	09260-10005	BALL	1	
15	09440-07078	SPRING	1	

FIG.158

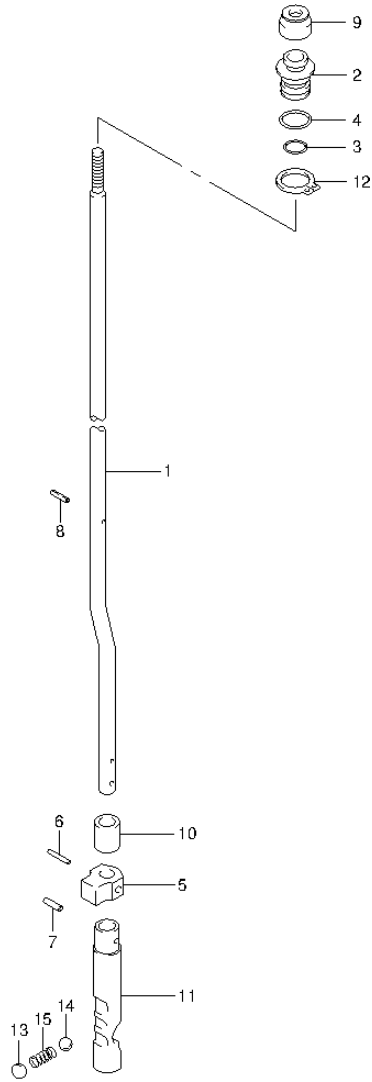


FIG.158 (2-C-10) SHIFT ROD (DF50ATH E01)

REF NO.	PART NO.	DESCRIPTION	Q'TY	REMARKS
1	25111-88L10	ROD, SHIFT (L)	1	
2	25211-87J00	GUIDE, SHIFT ROD	1	
3	09280-08005	O RING (D:1.7,ID:7.7)	1	
4	09280-11001	O RING (D:2.4,ID:10.8)	1	
5	25212-94401	GUIDE, SHIFT ROD LOWER	1	
6	09205-02013	SPRING PIN (2.5X16)	1	
7	09205-03021	SPRING PIN (3.5X12)	1	
8	09205-02004	SPRING PIN (2.5X12)	1	
9	25223-94400	SEAL, SHIFT ROD DUST	1	
10	25232-96302	MAGNET, GEAR CASE	1	
11	25311-88L00	CAM, SHIFT	1	
12	08331-3115A	CIRCLIP	1	
13	21121-93300	PLATE, DETENT SPRING	1	
14	09260-10005	BALL	1	
15	09440-07078	SPRING	1	

FIG.159

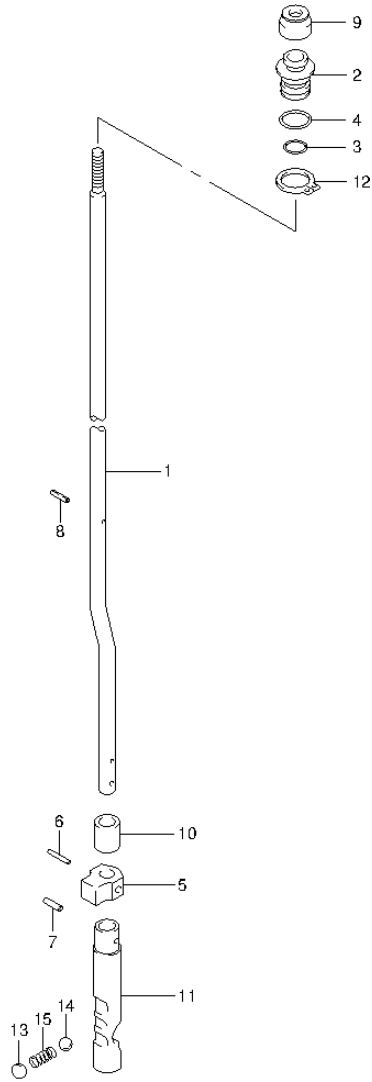


FIG.159 (2-C-11) SHIFT ROD (DF60A E01)

REF NO.	PART NO.	DESCRIPTION	Q'TY	REMARKS
1-1	25111-88L00	ROD, SHIFT (S)	1	W/TRANSOM(S)
1-2	25111-88L10	ROD, SHIFT (L)	1	W/TRANSOM(L)
1-3	25111-88L20	ROD, SHIFT (X)	1	W/TRANSOM(X)
2	25211-87J00	GUIDE, SHIFT ROD	1	
3	09280-08005	O RING (D:1.7,ID:7.7)	1	
4	09280-11001	O RING (D:2.4,ID:10.8)	1	
5	25212-94401	GUIDE, SHIFT ROD LOWER	1	
6	09205-02013	SPRING PIN (2.5X16)	1	
7	09205-03021	SPRING PIN (3.5X12)	1	
8	09205-02004	SPRING PIN (2.5X12)	1	
9	25223-94400	SEAL, SHIFT ROD DUST	1	
10	25232-96302	MAGNET, GEAR CASE	1	
11	25311-88L00	CAM, SHIFT	1	
12	08331-3115A	CIRCLIP	1	
13	21121-93300	PLATE, DETENT SPRING	1	
14	09260-10005	BALL	1	
15	09440-07078	SPRING	1	

FIG.160

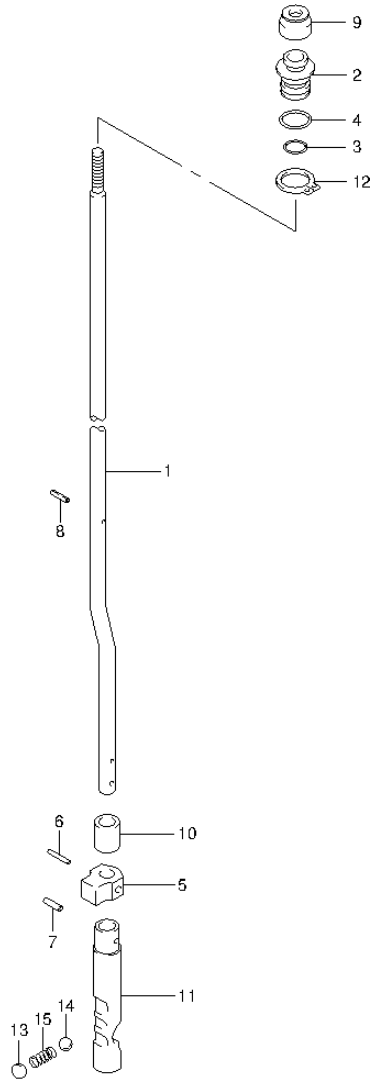


FIG.160 (2-C-12) SHIFT ROD (DF60A E40)

REF NO.	PART NO.	DESCRIPTION	Q'TY	REMARKS
1-1	25111-88L10	ROD, SHIFT (L)	1	W/TRANSOM(L)
1-2	25111-88L20	ROD, SHIFT (X)	1	W/TRANSOM(X)
2	25211-87J00	GUIDE, SHIFT ROD	1	
3	09280-08005	O RING (D:1.7,ID:7.7)	1	
4	09280-11001	O RING (D:2.4,ID:10.8)	1	
5	25212-94401	GUIDE, SHIFT ROD LOWER	1	
6	09205-02013	SPRING PIN (2.5X16)	1	
7	09205-03021	SPRING PIN (3.5X12)	1	
8	09205-02004	SPRING PIN (2.5X12)	1	
9	25223-94400	SEAL, SHIFT ROD DUST	1	
10	25232-96302	MAGNET, GEAR CASE	1	
11	25311-88L00	CAM, SHIFT	1	
12	08331-3115A	CIRCLIP	1	
13	21121-93300	PLATE, DETENT SPRING	1	
14	09260-10005	BALL	1	
15	09440-07078	SPRING	1	

FIG.161

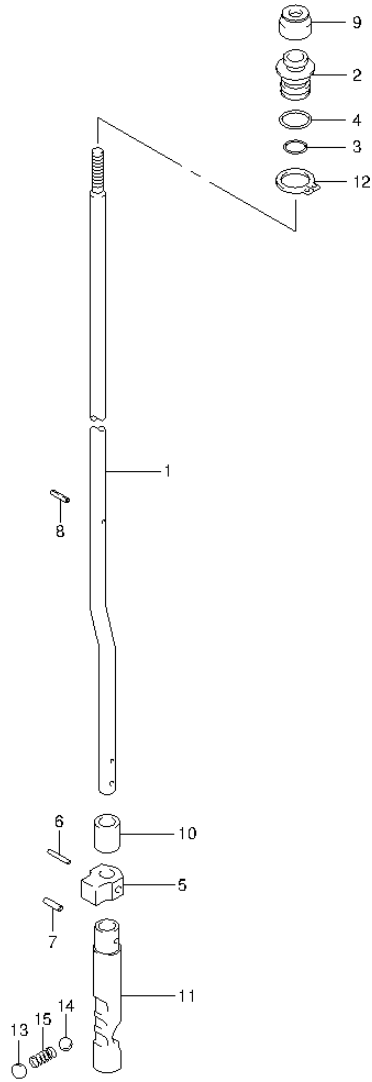


FIG.161 (2-C-13) SHIFT ROD (DF60AQH E01)

REF NO.	PART NO.	DESCRIPTION	Q'TY	REMARKS
1-1	25111-88L10	ROD, SHIFT (L)	1	W/TRANSOM(L)
1-2	25111-88L20	ROD, SHIFT (X)	1	W/TRANSOM(X)
2	25211-87J00	GUIDE, SHIFT ROD	1	
3	09280-08005	O RING (D:1.7,ID:7.7)	1	
4	09280-11001	O RING (D:2.4,ID:10.8)	1	
5	25212-94401	GUIDE, SHIFT ROD LOWER	1	
6	09205-02013	SPRING PIN (2.5X16)	1	
7	09205-03021	SPRING PIN (3.5X12)	1	
8	09205-02004	SPRING PIN (2.5X12)	1	
9	25223-94400	SEAL, SHIFT ROD DUST	1	
10	25232-96302	MAGNET, GEAR CASE	1	
11	25311-88L00	CAM, SHIFT	1	
12	08331-3115A	CIRCLIP	1	
13	21121-93300	PLATE, DETENT SPRING	1	
14	09260-10005	BALL	1	
15	09440-07078	SPRING	1	

FIG.162

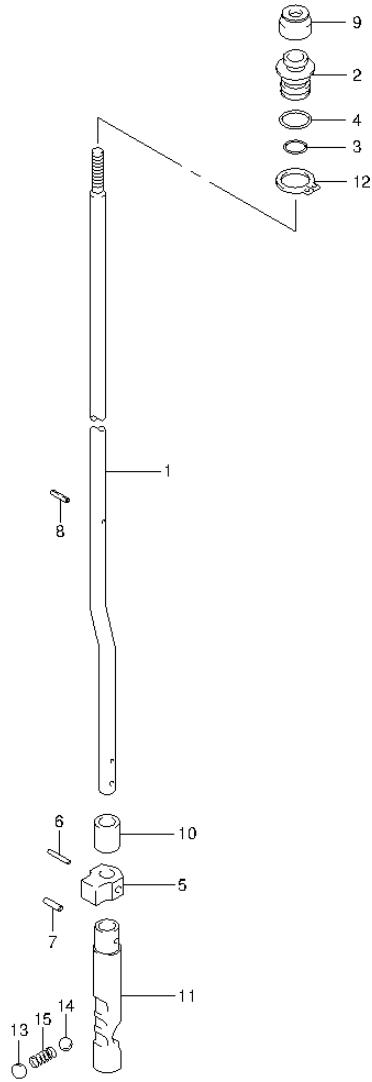


FIG.162 (2-C-14) SHIFT ROD (DF60AQH E40)

REF NO.	PART NO.	DESCRIPTION	Q'TY	REMARKS
1-1	25111-88L10	ROD, SHIFT (L)	1	W/TRANSOM(L)
1-2	25111-88L20	ROD, SHIFT (X)	1	W/TRANSOM(X)
2	25211-87J00	GUIDE, SHIFT ROD	1	
3	09280-08005	O RING (D:1.7,ID:7.7)	1	
4	09280-11001	O RING (D:2.4,ID:10.8)	1	
5	25212-94401	GUIDE, SHIFT ROD LOWER	1	
6	09205-02013	SPRING PIN (2.5X16)	1	
7	09205-03021	SPRING PIN (3.5X12)	1	
8	09205-02004	SPRING PIN (2.5X12)	1	
9	25223-94400	SEAL, SHIFT ROD DUST	1	
10	25232-96302	MAGNET, GEAR CASE	1	
11	25311-88L00	CAM, SHIFT	1	
12	08331-3115A	CIRCLIP	1	
13	21121-93300	PLATE, DETENT SPRING	1	
14	09260-10005	BALL	1	
15	09440-07078	SPRING	1	

FIG.163

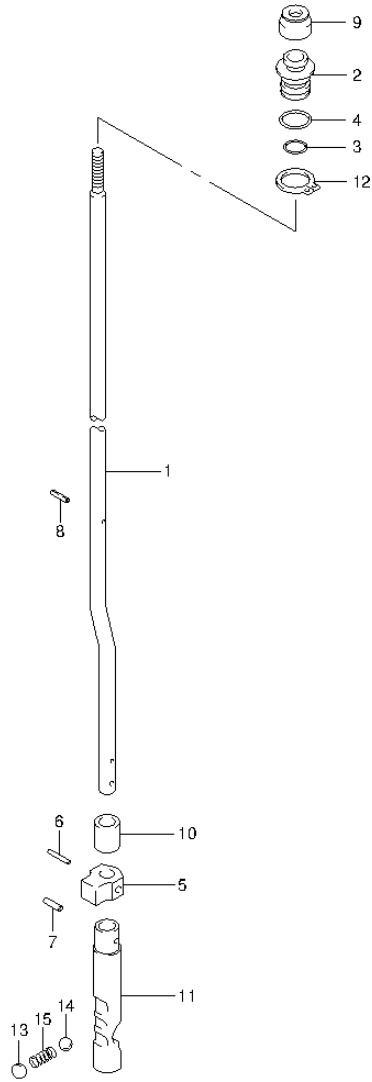


FIG.163 (2-C-15) SHIFT ROD (DF60ATH E01)

REF NO.	PART NO.	DESCRIPTION	Q'TY	REMARKS
1-1	25111-88L10	ROD, SHIFT (L)	1	W/TRANSOM(L)
1-2	25111-88L20	ROD, SHIFT (X)	1	W/TRANSOM(X)
2	25211-87J00	GUIDE, SHIFT ROD	1	
3	09280-08005	O RING (D:1.7,ID:7.7)	1	
4	09280-11001	O RING (D:2.4,ID:10.8)	1	
5	25212-94401	GUIDE, SHIFT ROD LOWER	1	
6	09205-02013	SPRING PIN (2.5X16)	1	
7	09205-03021	SPRING PIN (3.5X12)	1	
8	09205-02004	SPRING PIN (2.5X12)	1	
9	25223-94400	SEAL, SHIFT ROD DUST	1	
10	25232-96302	MAGNET, GEAR CASE	1	
11	25311-88L00	CAM, SHIFT	1	
12	08331-3115A	CIRCLIP	1	
13	21121-93300	PLATE, DETENT SPRING	1	
14	09260-10005	BALL	1	
15	09440-07078	SPRING	1	

FIG.164

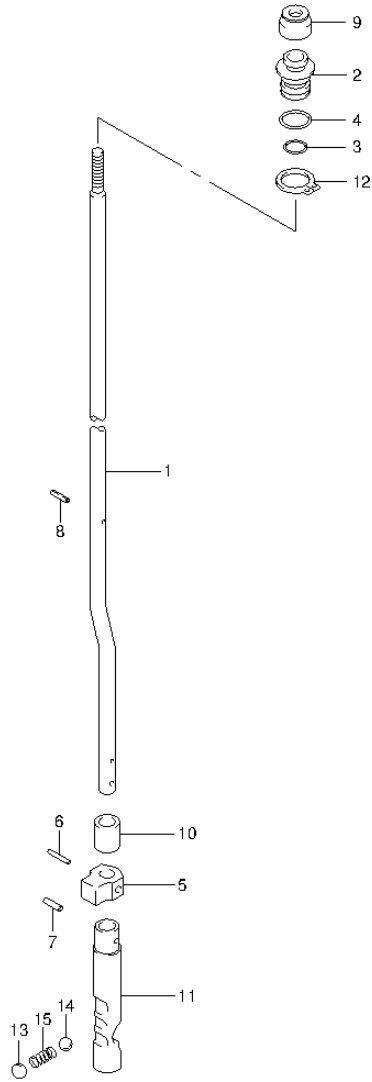


FIG.164 (2-D-2) SHIFT ROD (DF60ATH E40)

REF NO.	PART NO.	DESCRIPTION	Q'TY	REMARKS
1-1	25111-88L10	ROD, SHIFT (L)	1	W/TRANSOM(L)
1-2	25111-88L20	ROD, SHIFT (X)	1	W/TRANSOM(X)
2	25211-87J00	GUIDE, SHIFT ROD	1	
3	09280-08005	O RING (D:1.7,ID:7.7)	1	
4	09280-11001	O RING (D:2.4,ID:10.8)	1	
5	25212-94401	GUIDE, SHIFT ROD LOWER	1	
6	09205-02013	SPRING PIN (2.5X16)	1	
7	09205-03021	SPRING PIN (3.5X12)	1	
8	09205-02004	SPRING PIN (2.5X12)	1	
9	25223-94400	SEAL, SHIFT ROD DUST	1	
10	25232-96302	MAGNET, GEAR CASE	1	
11	25311-88L00	CAM, SHIFT	1	
12	08331-3115A	CIRCLIP	1	
13	21121-93300	PLATE, DETENT SPRING	1	
14	09260-10005	BALL	1	
15	09440-07078	SPRING	1	

FIG.165

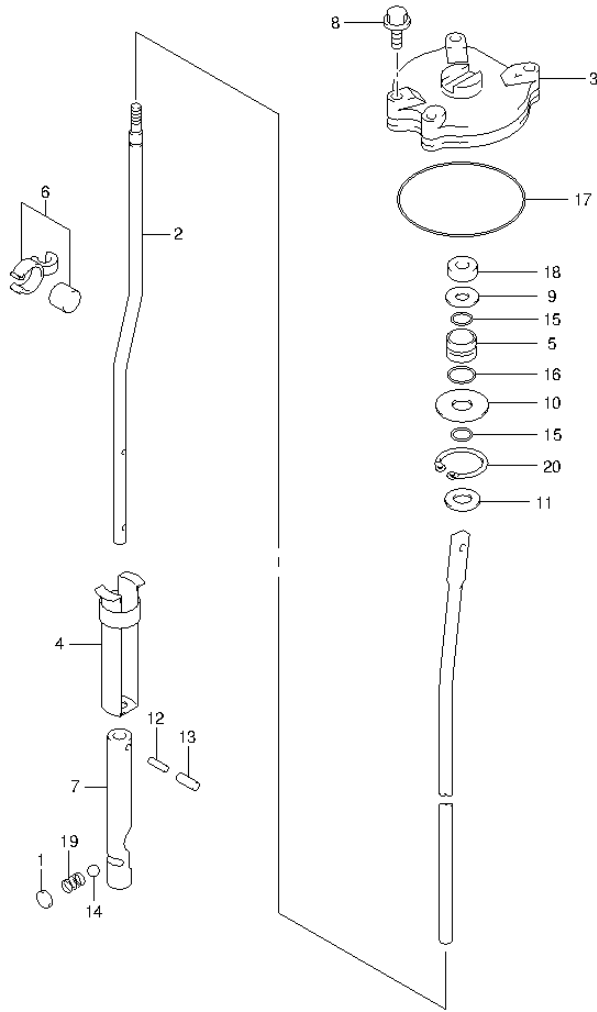


FIG.165 (2-D-3) SHIFT ROD (DF50AVT E01)

REF NO.	PART NO.	DESCRIPTION	Q'TY	REMARKS
1	21121-93300	PLATE, CLUTCH NOTCH	1	
2	25111-88L30	ROD, SHIFT (L)	1	
3	25141-99E03	HOUSING, SHIFT ROD GUIDE	1	
4	25205-94501	COLLAR, SHIFT ROD SPRING	1	
5	25211-94501	GUIDE, SHIFT ROD	1	
6	25230-94300	MAGNET SET	1	
7	25311-94510	CAM, CLUTCH	1	
8	09117-06031	BOLT (6X20)	3	
9	09160-09015	WASHER (9X19X1.0)	1	
10	09160-09010	WASHER (9X30X1.6)	1	
11	09160-08122	WASHER (8.5X18X3.20)	1	
12	09205-02006	SPRING PIN (2X12)	2	
13	09205-03021	SPRING PIN (3.5X12)	2	
14	09260-10005	BALL	1	
15	09280-08008	O RING (D:3.5,ID:7.8)	2	
16	09280-15003	O RING (D:2.4,ID:14.8)	1	
17	09280-69001	O RING (D:3.1,ID:68.5)	1	
18	09284-08003	OIL SEAL (8X19X4.5)	1	
19	09440-07033	SPRING	1	
20	08331-41309	CIRCLIP	1	



FIG.166

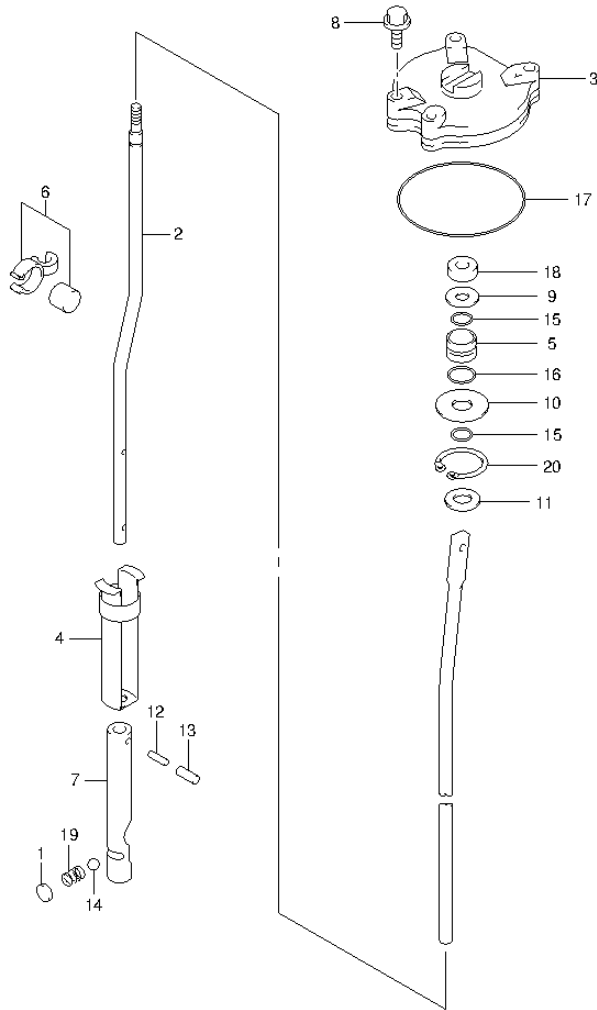


FIG.166 (2-D-4) SHIFT ROD (DF50AVTH E01)

REF NO.	PART NO.	DESCRIPTION	Q'TY	REMARKS
1	21121-93300	PLATE, CLUTCH NOTCH	1	
2	25111-88L30	ROD, SHIFT (L)	1	
3	25141-99E03	HOUSING, SHIFT ROD GUIDE	1	
4	25205-94501	COLLAR, SHIFT ROD SPRING	1	
5	25211-94501	GUIDE, SHIFT ROD	1	
6	25230-94300	MAGNET SET	1	
7	25311-94510	CAM, CLUTCH	1	
8	09117-06031	BOLT (6X20)	3	
9	09160-09015	WASHER (9X19X1.0)	1	
10	09160-09010	WASHER (9X30X1.6)	1	
11	09160-08122	WASHER (8.5X18X3.20)	1	
12	09205-02006	SPRING PIN (2X12)	2	
13	09205-03021	SPRING PIN (3.5X12)	2	
14	09260-10005	BALL	1	
15	09280-08008	O RING (D:3.5,ID:7.8)	2	
16	09280-15003	O RING (D:2.4,ID:14.8)	1	
17	09280-69001	O RING (D:3.1,ID:68.5)	1	
18	09284-08003	OIL SEAL (8X19X4.5)	1	
19	09440-07033	SPRING	1	
20	08331-41309	CIRCLIP	1	



FIG.167

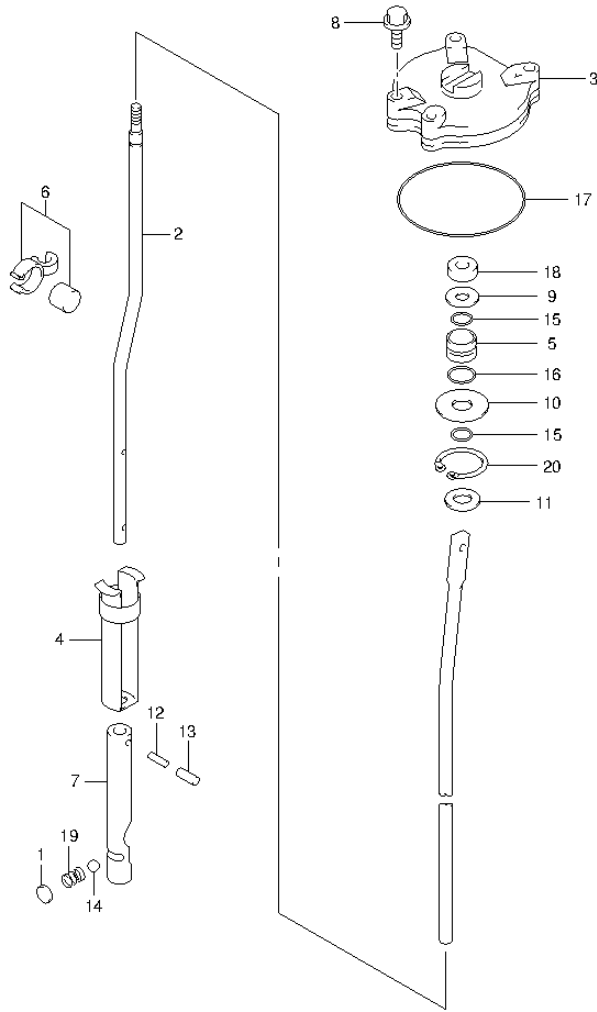


FIG.167 (2-D-5) SHIFT ROD (DF60AVT E01)

REF NO.	PART NO.	DESCRIPTION	Q'TY	REMARKS
1	21121-93300	PLATE, CLUTCH NOTCH	1	
2-1	25111-88L30	ROD, SHIFT (L)	1	W/TRAMSOM(L)
2-2	25111-88L40	ROD, SHIFT (X)	1	W/TRAMSOM(X)
3	25141-99E03	HOUSING, SHIFT ROD GUIDE	1	
4	25205-94501	COLLAR, SHIFT ROD SPRING	1	
5	25211-94501	GUIDE, SHIFT ROD	1	
6	25230-94300	MAGNET SET	1	
7	25311-94510	CAM, CLUTCH	1	
8	09117-06031	BOLT (6X20)	3	
9	09160-09015	WASHER (9X19X1.0)	1	
10	09160-09010	WASHER (9X30X1.6)	1	
11	09160-08122	WASHER (8.5X18X3.20)	1	
12	09205-02006	SPRING PIN (2X12)	2	
13	09205-03021	SPRING PIN (3.5X12)	2	
14	09260-10005	BALL	1	
15	09280-08008	O RING (D:3.5,ID:7.8)	2	
16	09280-15003	O RING (D:2.4,ID:14.8)	1	
17	09280-69001	O RING (D:3.1,ID:68.5)	1	
18	09284-08003	OIL SEAL (8X19X4.5)	1	
19	09440-07033	SPRING	1	
20	08331-41309	CIRCLIP	1	



FIG.168

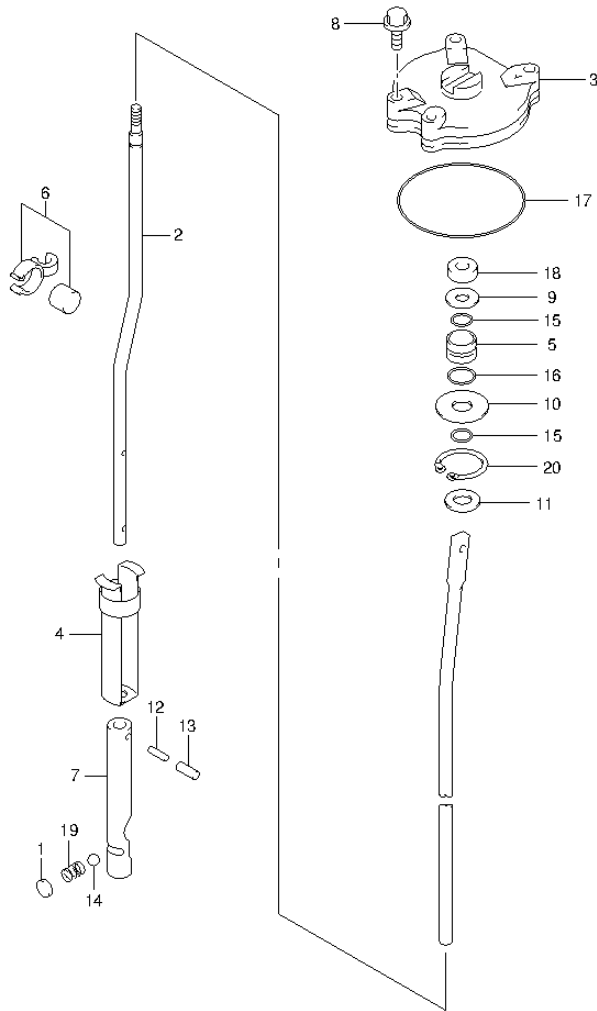


FIG.168 (2-D-6) SHIFT ROD (DF60AVT E40)

REF NO.	PART NO.	DESCRIPTION	Q'TY	REMARKS
1	21121-93300	PLATE, CLUTCH NOTCH	1	
2-1	25111-88L30	ROD, SHIFT (L)	1	W/TRAMSOM(L)
2-2	25111-88L40	ROD, SHIFT (X)	1	W/TRAMSOM(X)
3	25141-99E03	HOUSING, SHIFT ROD GUIDE	1	
4	25205-94501	COLLAR, SHIFT ROD SPRING	1	
5	25211-94501	GUIDE, SHIFT ROD	1	
6	25230-94300	MAGNET SET	1	
7	25311-94510	CAM, CLUTCH	1	
8	09117-06031	BOLT (6X20)	3	
9	09160-09015	WASHER (9X19X1.0)	1	
10	09160-09010	WASHER (9X30X1.6)	1	
11	09160-08122	WASHER (8.5X18X3.20)	1	
12	09205-02006	SPRING PIN (2X12)	2	
13	09205-03021	SPRING PIN (3.5X12)	2	
14	09260-10005	BALL	1	
15	09280-08008	O RING (D:3.5,ID:7.8)	2	
16	09280-15003	O RING (D:2.4,ID:14.8)	1	
17	09280-69001	O RING (D:3.1,ID:68.5)	1	
18	09284-08003	OIL SEAL (8X19X4.5)	1	
19	09440-07033	SPRING	1	
20	08331-41309	CIRCLIP	1	



FIG.169

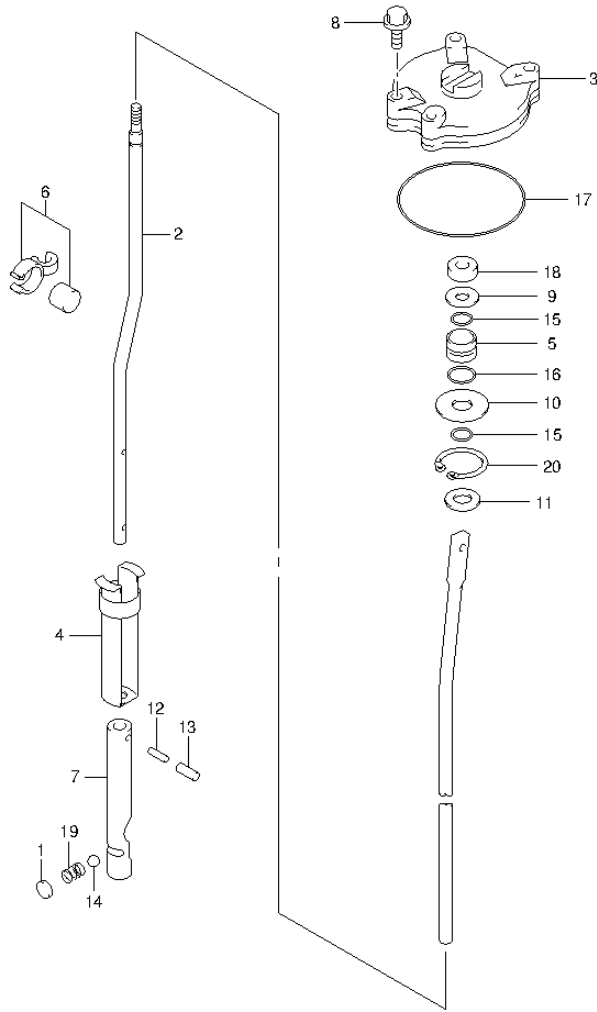


FIG.169 (2-D-7) SHIFT ROD (DF60AVTH E01)

REF NO.	PART NO.	DESCRIPTION	Q'TY	REMARKS
1	21121-93300	PLATE, CLUTCH NOTCH	1	
2-1	25111-88L30	ROD, SHIFT (L)	1	W/TRAMSOM(L)
2-2	25111-88L40	ROD, SHIFT (X)	1	W/TRAMSOM(X)
3	25141-99E03	HOUSING, SHIFT ROD GUIDE	1	
4	25205-94501	COLLAR, SHIFT ROD SPRING	1	
5	25211-94501	GUIDE, SHIFT ROD	1	
6	25230-94300	MAGNET SET	1	
7	25311-94510	CAM, CLUTCH	1	
8	09117-06031	BOLT (6X20)	3	
9	09160-09015	WASHER (9X19X1.0)	1	
10	09160-09010	WASHER (9X30X1.6)	1	
11	09160-08122	WASHER (8.5X18X3.20)	1	
12	09205-02006	SPRING PIN (2X12)	2	
13	09205-03021	SPRING PIN (3.5X12)	2	
14	09260-10005	BALL	1	
15	09280-08008	O RING (D:3.5,ID:7.8)	2	
16	09280-15003	O RING (D:2.4,ID:14.8)	1	
17	09280-69001	O RING (D:3.1,ID:68.5)	1	
18	09284-08003	OIL SEAL (8X19X4.5)	1	
19	09440-07033	SPRING	1	
20	08331-41309	CIRCLIP	1	

FIG.170

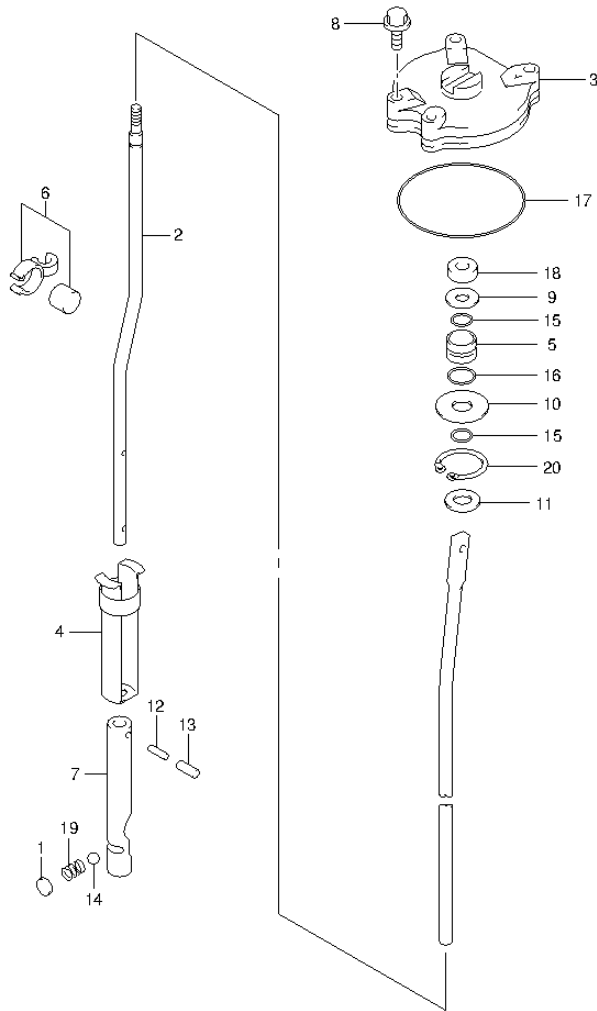


FIG.170 (2-D-8) SHIFT ROD (DF60AVTH E40)

REF NO.	PART NO.	DESCRIPTION	Q'TY	REMARKS
1	21121-93300	PLATE, CLUTCH NOTCH	1	
2-1	25111-88L30	ROD, SHIFT (L)	1	W/TRAMSOM(L)
2-2	25111-88L40	ROD, SHIFT (X)	1	W/TRAMSOM(X)
3	25141-99E03	HOUSING, SHIFT ROD GUIDE	1	
4	25205-94501	COLLAR, SHIFT ROD SPRING	1	
5	25211-94501	GUIDE, SHIFT ROD	1	
6	25230-94300	MAGNET SET	1	
7	25311-94510	CAM, CLUTCH	1	
8	09117-06031	BOLT (6X20)	3	
9	09160-09015	WASHER (9X19X1.0)	1	
10	09160-09010	WASHER (9X30X1.6)	1	
11	09160-08122	WASHER (8.5X18X3.20)	1	
12	09205-02006	SPRING PIN (2X12)	2	
13	09205-03021	SPRING PIN (3.5X12)	2	
14	09260-10005	BALL	1	
15	09280-08008	O RING (D:3.5,ID:7.8)	2	
16	09280-15003	O RING (D:2.4,ID:14.8)	1	
17	09280-69001	O RING (D:3.1,ID:68.5)	1	
18	09284-08003	OIL SEAL (8X19X4.5)	1	
19	09440-07033	SPRING	1	
20	08331-41309	CIRCLIP	1	



FIG.171

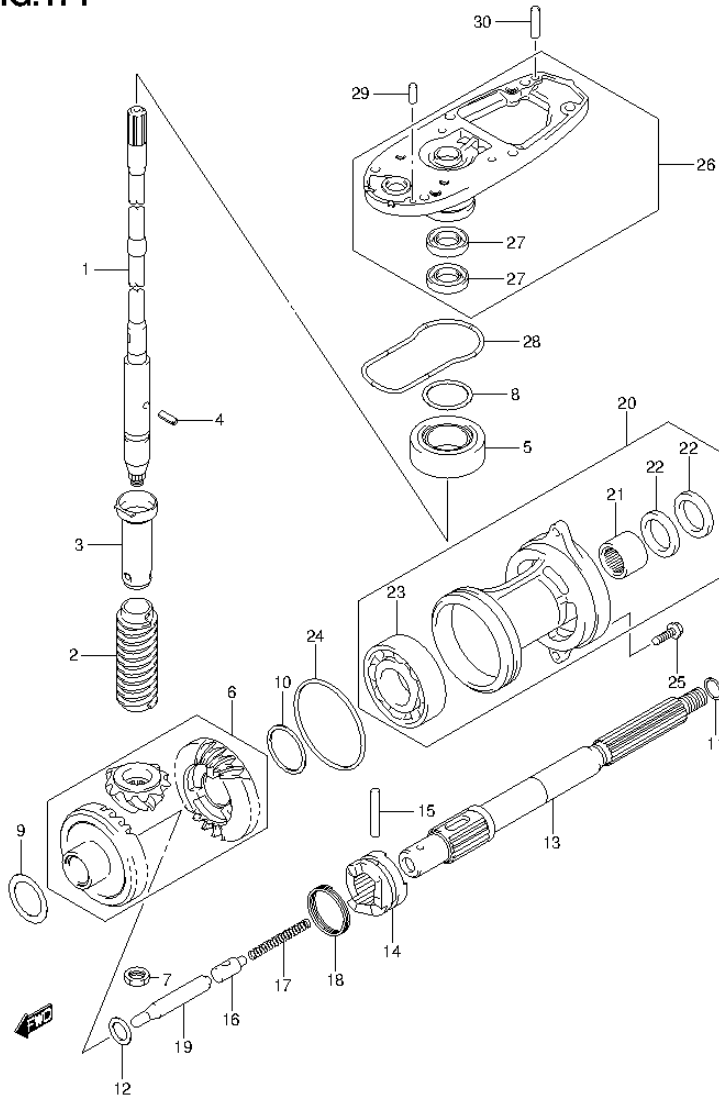


FIG.171 (2-D-9) TRANSMISSION (DF40A E01)

REF NO.	PART NO.	DESCRIPTION	Q'TY	REMARKS
1-1	57110-88L02	SHAFT ASSY, DRIVE (S)	1	W/TRANSOM(S)
1-2	57110-88L12	SHAFT ASSY, DRIVE (L)	1	W/TRANSOM(L)
2	57133-88L01	COLLAR, DRIVE SHAFT	1	
3	57133-94400	HOUSING, DRIVE SHAFT SPRING	1	
4	09205-03019	SPRING PIN (3X10)	1	
5	09265-20015	BEARING (20X42X15)	1	
6	57300-87851	PINION/GEAR SET	1	
7	09140-12034	NUT	1	
8-1	09181-35101	SHIM (T:0.50)	AR	DRIVE SHAFT ADJUST
8-2	09181-33001	SHIM (T:0.55)	AR	
8-3	09181-33002	SHIM (T:0.60)	AR	
8-4	09181-33003	SHIM (T:0.65)	AR	
8-5	09181-33004	SHIM (T:0.70)	AR	
8-6	09181-33005	SHIM (T:0.75)	AR	
8-7	09181-33006	SHIM (T:0.80)	AR	
8-8	09181-33007	SHIM (T:0.85)	AR	
8-9	09181-33008	SHIM (T:0.90)	AR	
8-10	09181-33009	SHIM (T:0.95)	AR	
8-11	09181-35110	SHIM (T:1.00)	AR	
9-1	09181-30186	SHIM (T:0.50)	AR	FORWARD BACKUP
9-2	09181-30187	SHIM (T:0.60)	AR	
9-3	09181-30188	SHIM (T:0.70)	AR	
9-4	09181-30190	SHIM (T:0.80)	AR	
9-5	09181-30192	SHIM (T:0.90)	AR	
10-1	08221-35455	SHIM	AR	REVERSE BACKUP
10-2	09181-35131	SHIM (T:0.60)	AR	
10-3	09181-35132	SHIM (T:0.70)	AR	
10-4	08221-35456	SHIM	AR	
10-5	09181-35136	SHIM (T:0.90)	AR	
10-6	08211-35451	WASHER	AR	
11-1	09160-22018	WASHER (22.2X28X1.8)	1	PROP SHAFT THRUST
11-2	09160-22019	WASHER (22.5X28X1.9)	1	
11-3	09160-22020	WASHER (22.5X28X2)	1	
11-4	09160-22021	WASHER (22.5X28X2.1)	1	

FIG.171

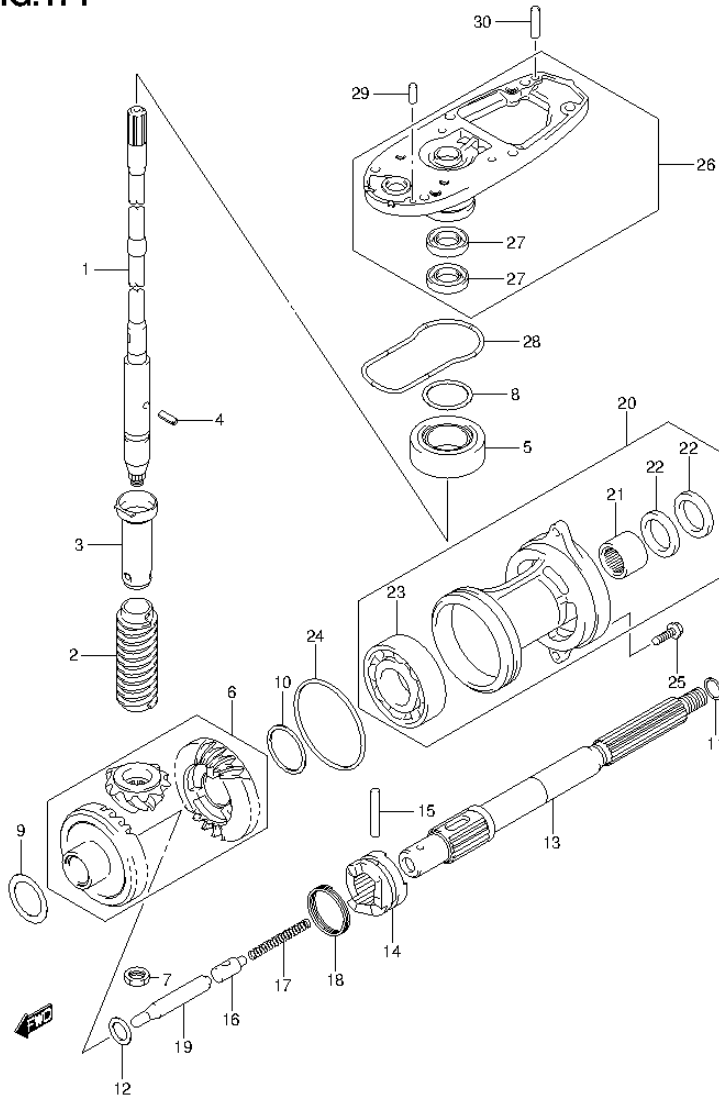


FIG.171 (2-D-10) TRANSMISSION (DF40A E01)

REF NO.	PART NO.	DESCRIPTION	Q'TY	REMARKS
11-5	09160-22022	WASHER (22.5X28X2.2)	1	
11-6	09160-22023	WASHER (22.5X28X2.3)	1	
12	08211-20263	WASHER	1	
13	57610-94402	SHAFT, PROPELLER	1	
14	57621-87J02	SHIFTER, CLUTCH DOG	1	
15	09202-05022	PIN (5.5X38.5)	1	
16	57634-88L00	PIN, PUSH	1	
17	09440-08043	SPRING	1	
18	09440-40002	SPRING	1	
19	57631-95303	ROD, PUSH	1	
20	56120-94321-0EP	HOUSING, PROP SHAFT BEARING (BLACK)	1	
21	09263-22020	BEARING (22.2X28.5X19)	1	
22	09289-22007	.OIL SEAL (22X35X5)	2	
23	09262-35070	.BEARING (35X62X14)	1	
24	09280-75001	O RING (D:3.3, ID:75)	1	
25	09116-08122	BOLT (8X30)	2	
26	56130-87J10-0EP	HOUSING, DRIVE SHAFT BEARING (BLACK)	1	
27	09282-17005	.OIL SEAL (17X32X6)	2	
28	55122-88L00	RING, GEAR CASE SEAL	1	
29	09202-06025	PIN (6X17)	1	
30	09202-06027	PIN (6X23)	1	

FIG.172

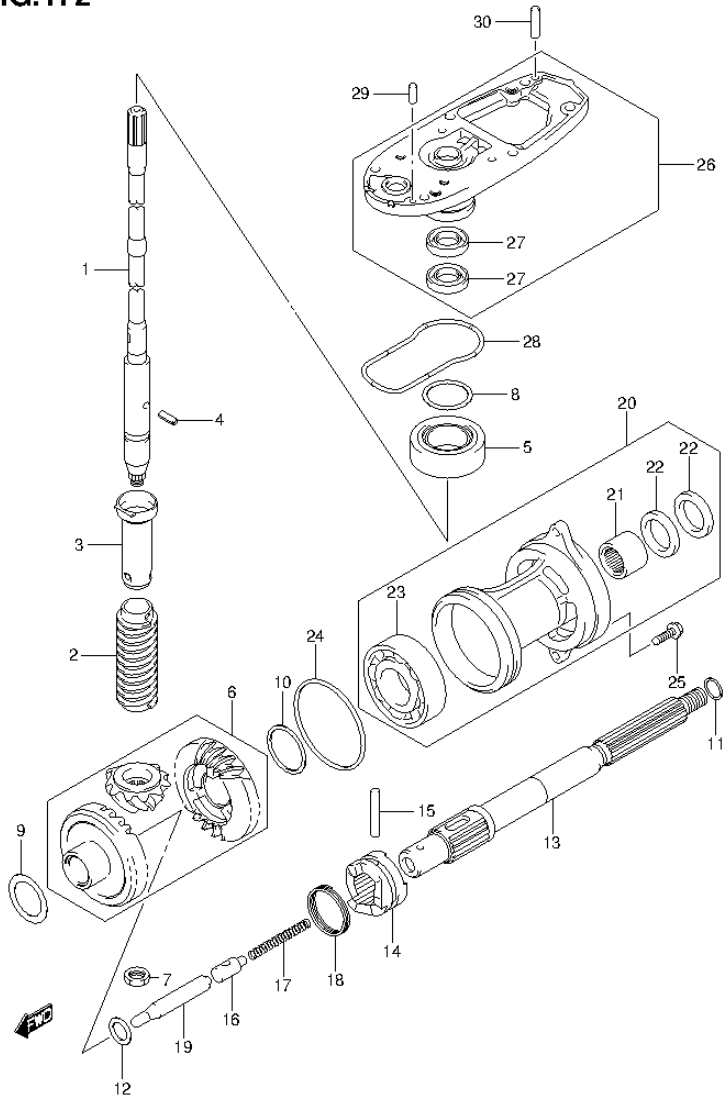


FIG.172 (2-D-11) TRANSMISSION (DF40AQH E01)

REF NO.	PART NO.	DESCRIPTION	Q'TY	REMARKS
1	57110-88L12	SHAFT ASSY, DRIVE (L)	1	
2	57133-88L01	COLLAR, DRIVE SHAFT	1	
3	57133-94400	HOUSING, DRIVE SHAFT SPRING	1	
4	09205-03019	SPRING PIN (3X10)	1	
5	09265-20015	BEARING (20X42X15)	1	
6	57300-87851	PINION/GEAR SET	1	
7	09140-12034	NUT	1	
8-1	09181-35101	SHIM (T:0.50)	AR	DRIVE SHAFT ADJUST
8-2	09181-33001	SHIM (T:0.55)	AR	
8-3	09181-33002	SHIM (T:0.60)	AR	
8-4	09181-33003	SHIM (T:0.65)	AR	
8-5	09181-33004	SHIM (T:0.70)	AR	
8-6	09181-33005	SHIM (T:0.75)	AR	
8-7	09181-33006	SHIM (T:0.80)	AR	
8-8	09181-33007	SHIM (T:0.85)	AR	
8-9	09181-33008	SHIM (T:0.90)	AR	
8-10	09181-33009	SHIM (T:0.95)	AR	
8-11	09181-35110	SHIM (T:1.00)	AR	
9-1	09181-30186	SHIM (T:0.50)	AR	FORWARD BACKUP
9-2	09181-30187	SHIM (T:0.60)	AR	
9-3	09181-30188	SHIM (T:0.70)	AR	
9-4	09181-30190	SHIM (T:0.80)	AR	
9-5	09181-30192	SHIM (T:0.90)	AR	
10-1	08221-35455	SHIM	AR	REVERSE BACKUP
10-2	09181-35131	SHIM (T:0.60)	AR	
10-3	09181-35132	SHIM (T:0.70)	AR	
10-4	08221-35456	SHIM	AR	
10-5	09181-35136	SHIM (T:0.90)	AR	
10-6	08211-35451	WASHER	AR	
11-1	09160-22018	WASHER (22.2X28X1.8)	1	PROP SHAFT THRUST
11-2	09160-22019	WASHER (22.5X28X1.9)	1	
11-3	09160-22020	WASHER (22.5X28X2)	1	
11-4	09160-22021	WASHER (22.5X28X2.1)	1	
11-5	09160-22022	WASHER (22.5X28X2.2)	1	

FIG.172

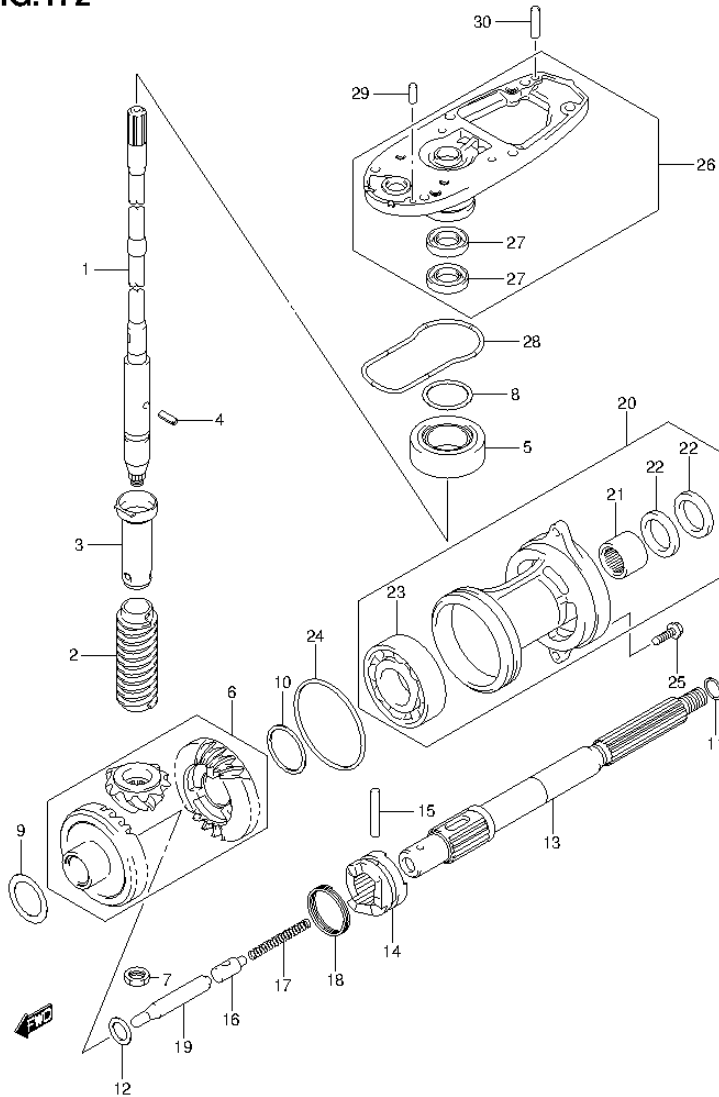


FIG.172 (2-D-12) TRANSMISSION (DF40AQH E01)

REF NO.	PART NO.	DESCRIPTION	Q'TY	REMARKS
11-6	09160-22023	WASHER (22.5X28X2.3)	1	
12	08211-20263	WASHER	1	
13	57610-94402	SHAFT, PROPELLER	1	
14	57621-87J02	SHIFTER, CLUTCH DOG	1	
15	09202-05022	PIN (5.5X38.5)	1	
16	57634-88L00	PIN, PUSH	1	
17	09440-08043	SPRING	1	
18	09440-40002	SPRING	1	
19	57631-95303	ROD, PUSH	1	
20	56120-94321-0EP	HOUSING, PROP SHAFT BEARING (BLACK)	1	
21	09263-22020	.BEARING (22.2X28.5X19)	1	
22	09289-22007	.OIL SEAL (22X35X5)	2	
23	09262-35070	.BEARING (35X62X14)	1	
24	09280-75001	O RING (D:3.3,ID:75)	1	
25	09116-08122	BOLT (8X30)	2	
26	56130-87J10-0EP	HOUSING, DRIVE SHAFT BEARING (BLACK)	1	
27	09282-17005	.OIL SEAL (17X32X6)	2	
28	55122-88L00	RING, GEAR CASE SEAL	1	
29	09202-06025	PIN (6X17)	1	
30	09202-06027	PIN (6X23)	1	

FIG.173

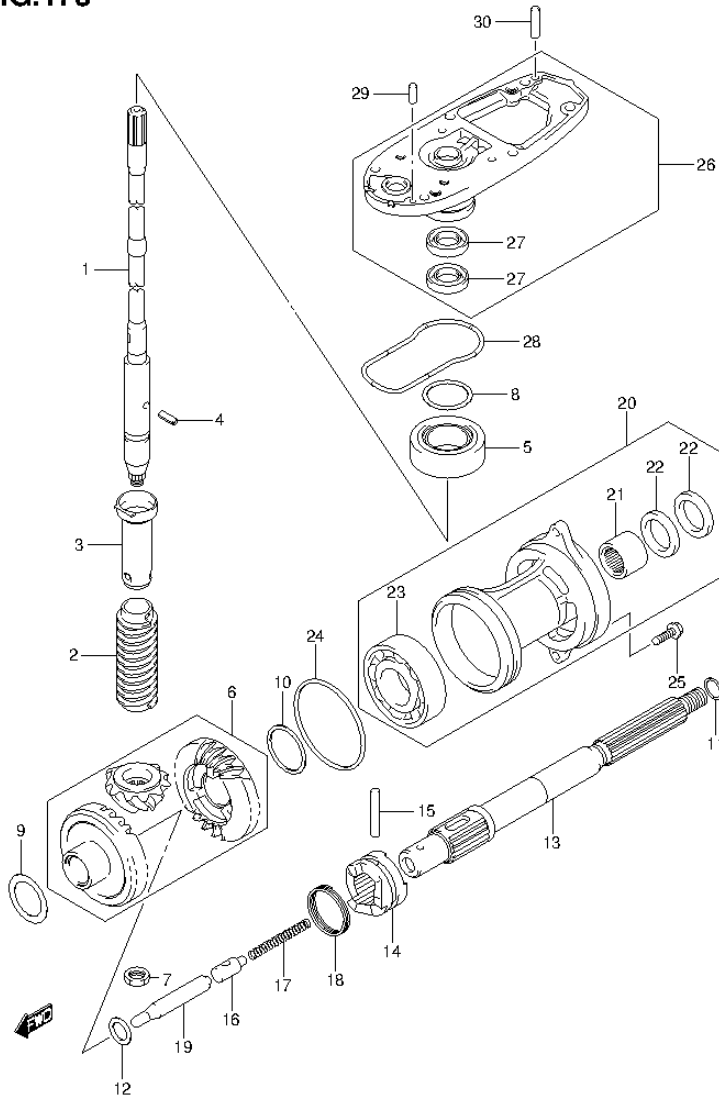


FIG.173 (2-D-13) TRANSMISSION (DF40ATH E01)

REF NO.	PART NO.	DESCRIPTION	Q'TY	REMARKS
1	57110-88L12	SHAFT ASSY, DRIVE (L)	1	
2	57133-88L01	COLLAR, DRIVE SHAFT	1	
3	57133-94400	HOUSING, DRIVE SHAFT SPRING	1	
4	09205-03019	SPRING PIN (3X10)	1	
5	09265-20015	BEARING (20X42X15)	1	
6	57300-87851	PINION/GEAR SET	1	
7	09140-12034	NUT	1	
8-1	09181-35101	SHIM (T:0.50)	AR	DRIVE SHAFT ADJUST
8-2	09181-33001	SHIM (T:0.55)	AR	
8-3	09181-33002	SHIM (T:0.60)	AR	
8-4	09181-33003	SHIM (T:0.65)	AR	
8-5	09181-33004	SHIM (T:0.70)	AR	
8-6	09181-33005	SHIM (T:0.75)	AR	
8-7	09181-33006	SHIM (T:0.80)	AR	
8-8	09181-33007	SHIM (T:0.85)	AR	
8-9	09181-33008	SHIM (T:0.90)	AR	
8-10	09181-33009	SHIM (T:0.95)	AR	
8-11	09181-35110	SHIM (T:1.00)	AR	
9-1	09181-30186	SHIM (T:0.50)	AR	FORWARD BACKUP
9-2	09181-30187	SHIM (T:0.60)	AR	
9-3	09181-30188	SHIM (T:0.70)	AR	
9-4	09181-30190	SHIM (T:0.80)	AR	
9-5	09181-30192	SHIM (T:0.90)	AR	
10-1	08221-35455	SHIM	AR	REVERSE BACKUP
10-2	09181-35131	SHIM (T:0.60)	AR	
10-3	09181-35132	SHIM (T:0.70)	AR	
10-4	08221-35456	SHIM	AR	
10-5	09181-35136	SHIM (T:0.90)	AR	
10-6	08211-35451	WASHER	AR	
11-1	09160-22018	WASHER (22.2X28X1.8)	1	PROP SHAFT THRUST
11-2	09160-22019	WASHER (22.5X28X1.9)	1	
11-3	09160-22020	WASHER (22.5X28X2)	1	
11-4	09160-22021	WASHER (22.5X28X2.1)	1	
11-5	09160-22022	WASHER (22.5X28X2.2)	1	

FIG.173

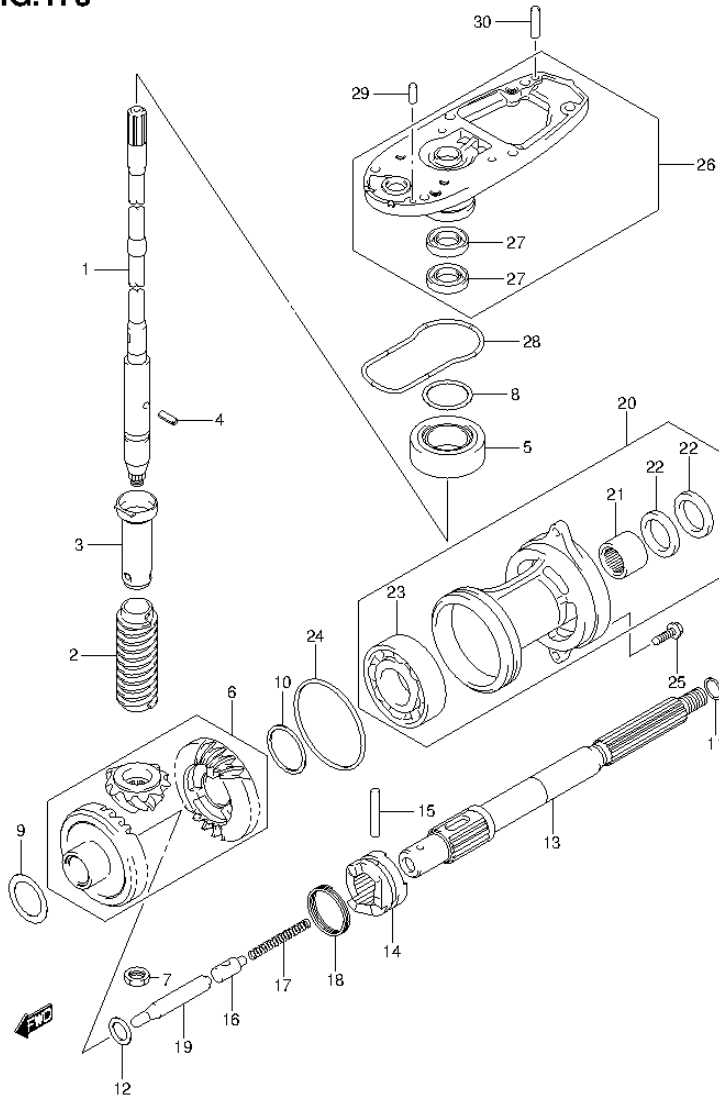


FIG.173 (2-D-14) TRANSMISSION (DF40ATH E01)

REF NO.	PART NO.	DESCRIPTION	Q'TY	REMARKS
11-6	09160-22023	WASHER (22.5X28X2.3)	1	
12	08211-20263	WASHER	1	
13	57610-94402	SHAFT, PROPELLER	1	
14	57621-87J02	SHIFTER, CLUTCH DOG	1	
15	09202-05022	PIN (5.5X38.5)	1	
16	57634-88L00	PIN, PUSH	1	
17	09440-08043	SPRING	1	
18	09440-40002	SPRING	1	
19	57631-95303	ROD, PUSH	1	
20	56120-94321-0EP	HOUSING, PROP SHAFT BEARING (BLACK)	1	
21	09263-22020	.BEARING (22.2X28.5X19)	1	
22	09289-22007	.OIL SEAL (22X35X5)	2	
23	09262-35070	.BEARING (35X62X14)	1	
24	09280-75001	O RING (D:3.3,ID:75)	1	
25	09116-08122	BOLT (8X30)	2	
26	56130-87J10-0EP	HOUSING, DRIVE SHAFT BEARING (BLACK)	1	
27	09282-17005	.OIL SEAL (17X32X6)	2	
28	55122-88L00	RING, GEAR CASE SEAL	1	
29	09202-06025	PIN (6X17)	1	
30	09202-06027	PIN (6X23)	1	

FIG.174

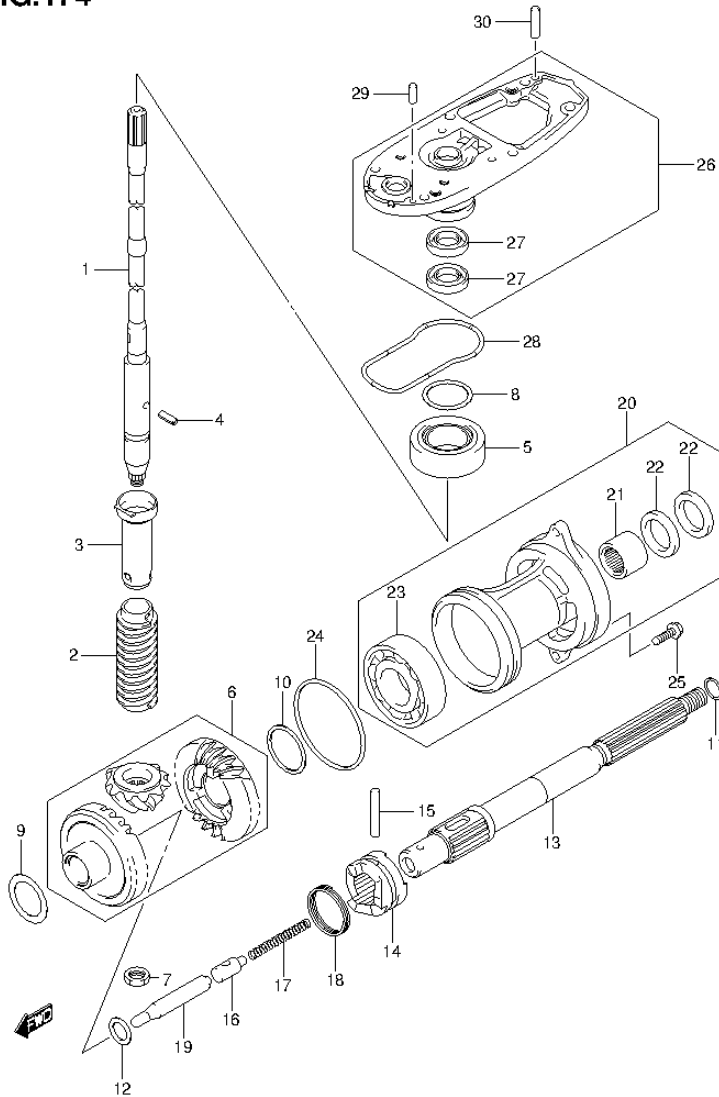


FIG.174 (2-D-15) TRANSMISSION (DF40AST E34)

REF NO.	PART NO.	DESCRIPTION	Q'TY	REMARKS
1-1	57110-88L02	SHAFT ASSY, DRIVE (S)	1	W/TRANSOM(S)
1-2	57110-88L12	SHAFT ASSY, DRIVE (L)	1	W/TRANSOM(L)
2	57133-88L01	COLLAR, DRIVE SHAFT	1	
3	57133-94400	HOUSING, DRIVE SHAFT SPRING	1	
4	09205-03019	SPRING PIN (3X10)	1	
5	09265-20015	BEARING (20X42X15)	1	
6	57300-87851	PINION/GEAR SET	1	
7	09140-12034	NUT	1	
8-1	09181-35101	SHIM (T:0.50)	AR	DRIVE SHAFT ADJUST
8-2	09181-33001	SHIM (T:0.55)	AR	
8-3	09181-33002	SHIM (T:0.60)	AR	
8-4	09181-33003	SHIM (T:0.65)	AR	
8-5	09181-33004	SHIM (T:0.70)	AR	
8-6	09181-33005	SHIM (T:0.75)	AR	
8-7	09181-33006	SHIM (T:0.80)	AR	
8-8	09181-33007	SHIM (T:0.85)	AR	
8-9	09181-33008	SHIM (T:0.90)	AR	
8-10	09181-33009	SHIM (T:0.95)	AR	
8-11	09181-35110	SHIM (T:1.00)	AR	
9-1	09181-30186	SHIM (T:0.50)	AR	FORWARD BACKUP
9-2	09181-30187	SHIM (T:0.60)	AR	
9-3	09181-30188	SHIM (T:0.70)	AR	
9-4	09181-30190	SHIM (T:0.80)	AR	
9-5	09181-30192	SHIM (T:0.90)	AR	
10-1	08221-35455	SHIM	AR	REVERSE BACKUP
10-2	09181-35131	SHIM (T:0.60)	AR	
10-3	09181-35132	SHIM (T:0.70)	AR	
10-4	08221-35456	SHIM	AR	
10-5	09181-35136	SHIM (T:0.90)	AR	
10-6	08211-35451	WASHER	AR	
11-1	09160-22018	WASHER (22.2X28X1.8)	1	PROP SHAFT THRUST
11-2	09160-22019	WASHER (22.5X28X1.9)	1	
11-3	09160-22020	WASHER (22.5X28X2)	1	
11-4	09160-22021	WASHER (22.5X28X2.1)	1	

FIG.174

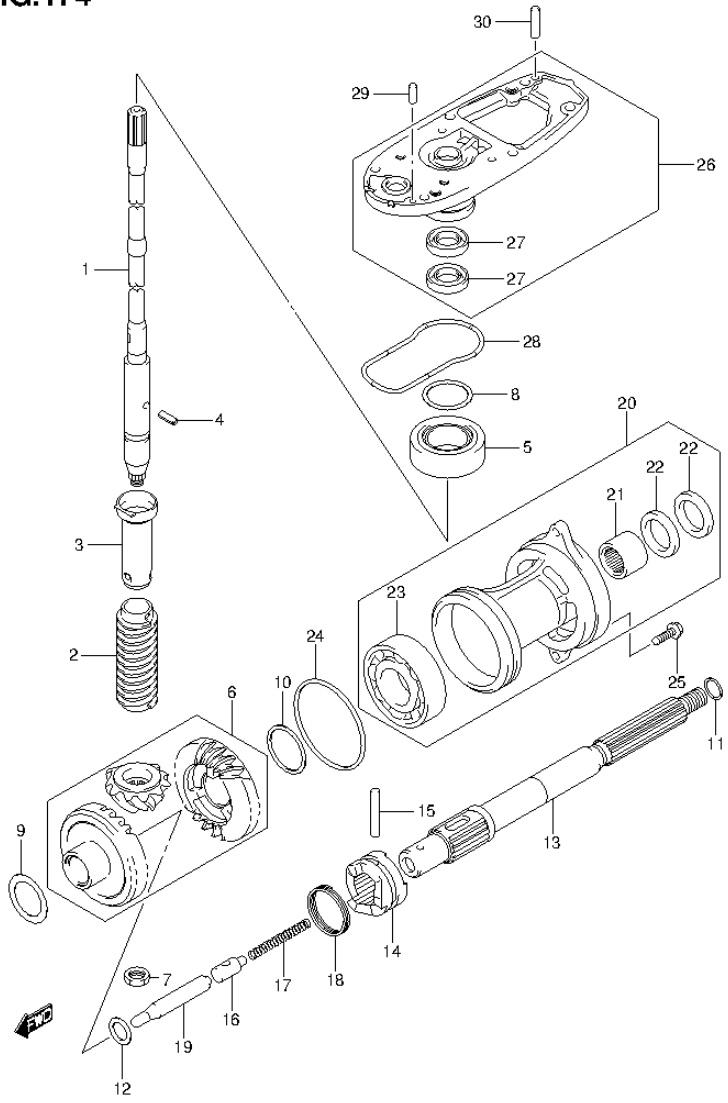


FIG.174 (2-E-2) TRANSMISSION (DF40AST E34)

REF NO.	PART NO.	DESCRIPTION	Q'TY	REMARKS
11-5	09160-22022	WASHER (22.5X28X2.2)	1	
11-6	09160-22023	WASHER (22.5X28X2.3)	1	
12	08211-20263	WASHER	1	
13	57610-94402	SHAFT, PROPELLER	1	
14	57621-87J02	SHIFTER, CLUTCH DOG	1	
15	09202-05022	PIN (5.5X38.5)	1	
16	57634-88L00	PIN, PUSH	1	
17	09440-08043	SPRING	1	
18	09440-40002	SPRING	1	
19	57631-95303	ROD, PUSH	1	
20	56120-94321-0EP	HOUSING, PROP SHAFT BEARING (BLACK)	1	
21	09263-22020	BEARING (22.2X28.5X19)	1	
22	09289-22007	.OIL SEAL (22X35X5)	2	
23	09262-35070	.BEARING (35X62X14)	1	
24	09280-75001	O RING (D:3.3, ID:75)	1	
25	09116-08122	BOLT (8X30)	2	
26	56130-87J10-0EP	HOUSING, DRIVE SHAFT BEARING (BLACK)	1	
27	09282-17005	.OIL SEAL (17X32X6)	2	
28	55122-88L00	RING, GEAR CASE SEAL	1	
29	09202-06025	PIN (6X17)	1	
30	09202-06027	PIN (6X23)	1	

FIG.175

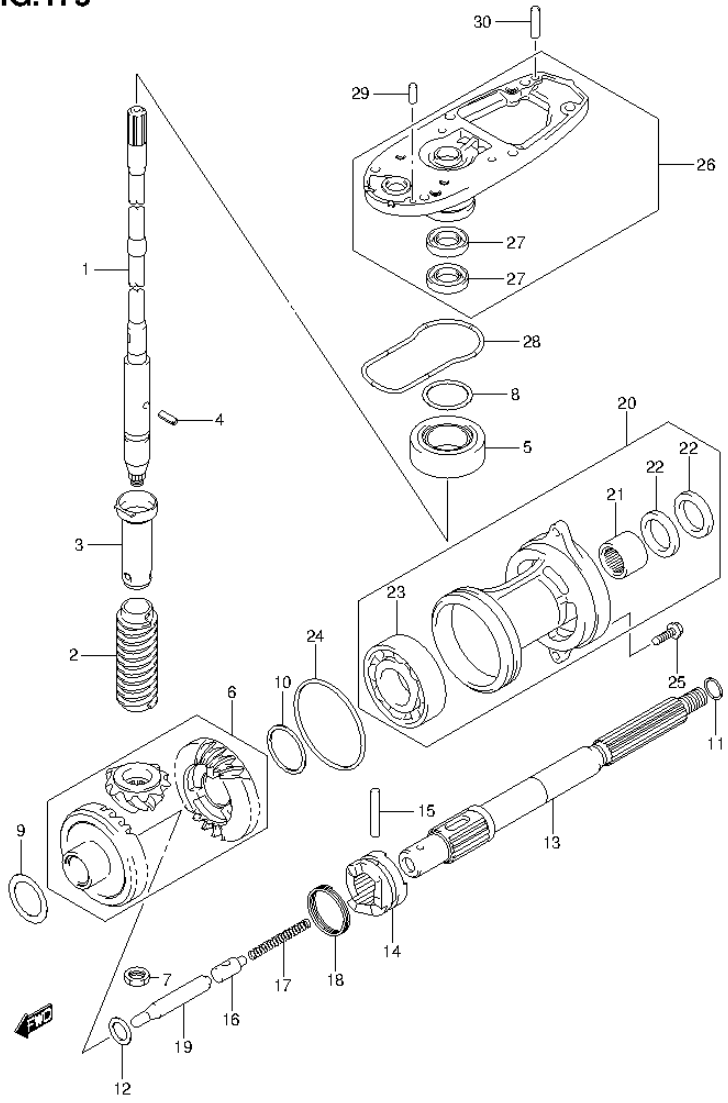


FIG.175 (2-E-3) TRANSMISSION (DF50A E01)

REF NO.	PART NO.	DESCRIPTION	Q'TY	REMARKS
1-1	57110-88L02	SHAFT ASSY, DRIVE (S)	1	W/TRANSOM(S)
1-2	57110-88L12	SHAFT ASSY, DRIVE (L)	1	W/TRANSOM(L)
2	57133-88L01	COLLAR, DRIVE SHAFT	1	
3	57133-94400	HOUSING, DRIVE SHAFT SPRING	1	
4	09205-03019	SPRING PIN (3X10)	1	
5	09265-20015	BEARING (20X42X15)	1	
6	57300-87851	PINION/GEAR SET	1	
7	09140-12034	NUT	1	
8-1	09181-35101	SHIM (T:0.50)	AR	DRIVE SHAFT ADJUST
8-2	09181-33001	SHIM (T:0.55)	AR	
8-3	09181-33002	SHIM (T:0.60)	AR	
8-4	09181-33003	SHIM (T:0.65)	AR	
8-5	09181-33004	SHIM (T:0.70)	AR	
8-6	09181-33005	SHIM (T:0.75)	AR	
8-7	09181-33006	SHIM (T:0.80)	AR	
8-8	09181-33007	SHIM (T:0.85)	AR	
8-9	09181-33008	SHIM (T:0.90)	AR	
8-10	09181-33009	SHIM (T:0.95)	AR	
8-11	09181-35110	SHIM (T:1.00)	AR	
9-1	09181-30186	SHIM (T:0.50)	AR	FORWARD BACKUP
9-2	09181-30187	SHIM (T:0.60)	AR	
9-3	09181-30188	SHIM (T:0.70)	AR	
9-4	09181-30190	SHIM (T:0.80)	AR	
9-5	09181-30192	SHIM (T:0.90)	AR	
10-1	08221-35455	SHIM	AR	REVERSE BACKUP
10-2	09181-35131	SHIM (T:0.60)	AR	
10-3	09181-35132	SHIM (T:0.70)	AR	
10-4	08221-35456	SHIM	AR	
10-5	09181-35136	SHIM (T:0.90)	AR	
10-6	08211-35451	WASHER	AR	
11-1	09160-22018	WASHER (22.2X28X1.8)	1	PROP SHAFT THRUST
11-2	09160-22019	WASHER (22.5X28X1.9)	1	
11-3	09160-22020	WASHER (22.5X28X2)	1	
11-4	09160-22021	WASHER (22.5X28X2.1)	1	

FIG.175

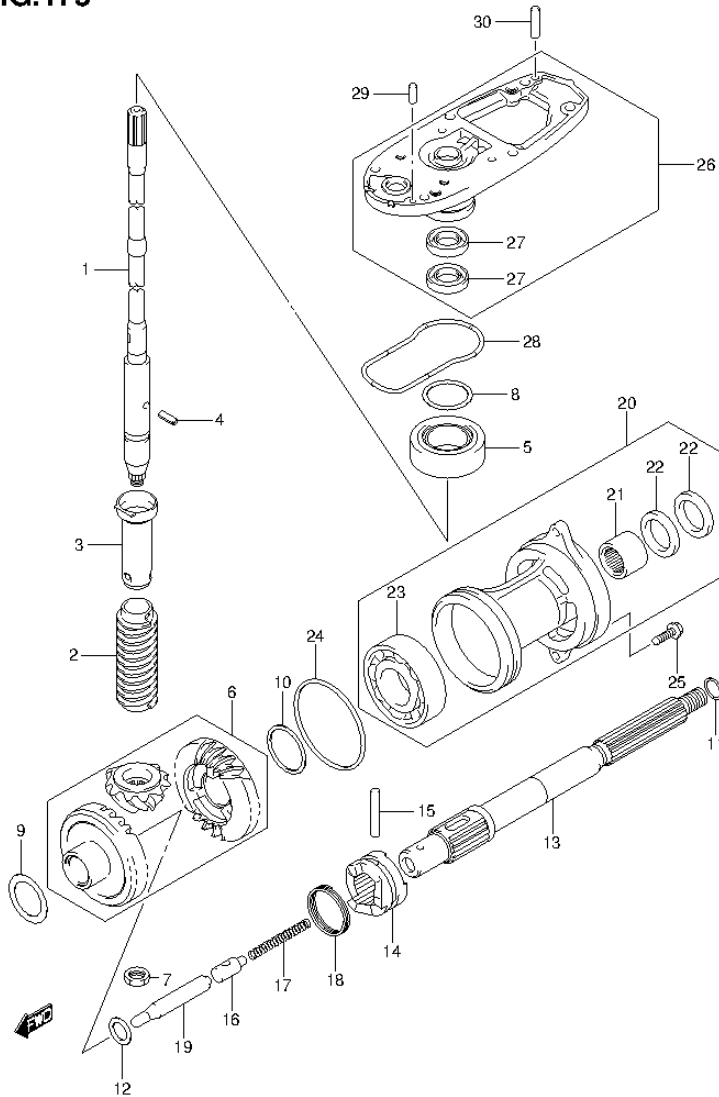


FIG.175 (2-E-4) TRANSMISSION (DF50A E01)

REF NO.	PART NO.	DESCRIPTION	Q'TY	REMARKS
11-5	09160-22022	WASHER (22.5X28X2.2)	1	
11-6	09160-22023	WASHER (22.5X28X2.3)	1	
12	08211-20263	WASHER	1	
13	57610-94402	SHAFT, PROPELLER	1	
14	57621-87J02	SHIFTER, CLUTCH DOG	1	
15	09202-05022	PIN (5.5X38.5)	1	
16	57634-88L00	PIN, PUSH	1	
17	09440-08043	SPRING	1	
18	09440-40002	SPRING	1	
19	57631-95303	ROD, PUSH	1	
20	56120-94321-0EP	HOUSING, PROP SHAFT BEARING (BLACK)	1	
21	09263-22020	BEARING (22.2X28.5X19)	1	
22	09289-22007	.OIL SEAL (22X35X5)	2	
23	09262-35070	.BEARING (35X62X14)	1	
24	09280-75001	O RING (D:3.3, ID:75)	1	
25	09116-08122	BOLT (8X30)	2	
26	56130-87J10-0EP	HOUSING, DRIVE SHAFT BEARING (BLACK)	1	
27	09282-17005	.OIL SEAL (17X32X6)	2	
28	55122-88L00	RING, GEAR CASE SEAL	1	
29	09202-06025	PIN (6X17)	1	
30	09202-06027	PIN (6X23)	1	

FIG.176

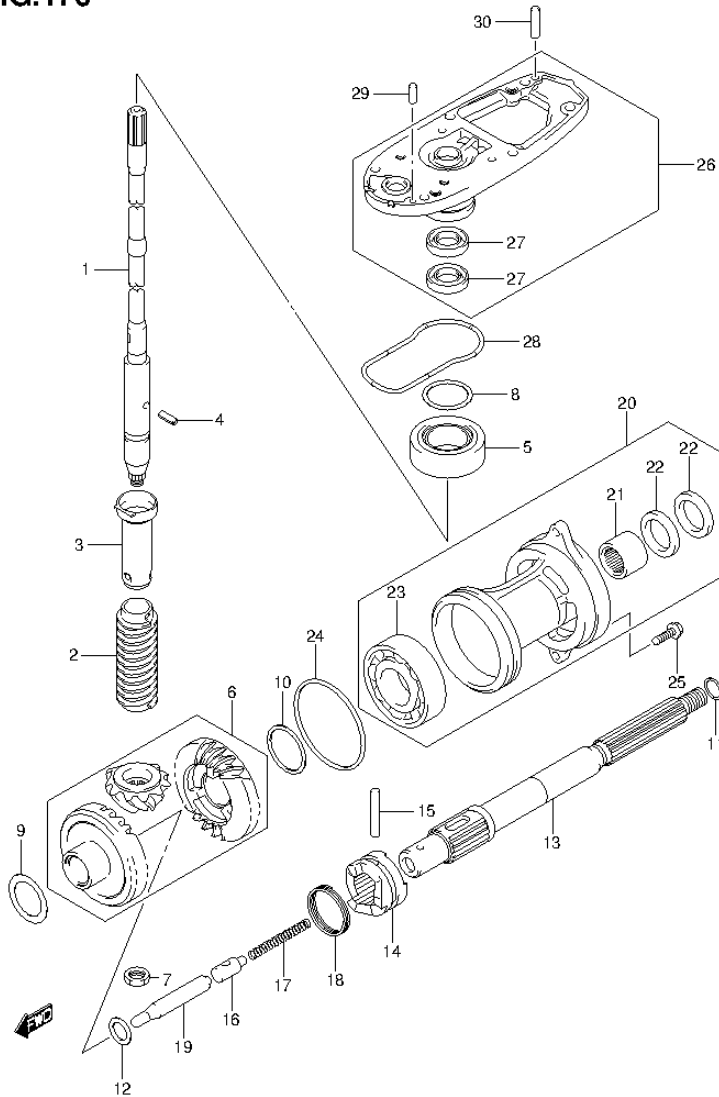


FIG.176 (2-E-5) TRANSMISSION (DF50ATH E01)

REF NO.	PART NO.	DESCRIPTION	Q'TY	REMARKS
1	57110-88L12	SHAFT ASSY, DRIVE (L)	1	
2	57133-88L01	COLLAR, DRIVE SHAFT	1	
3	57133-94400	HOUSING, DRIVE SHAFT SPRING	1	
4	09205-03019	SPRING PIN (3X10)	1	
5	09265-20015	BEARING (20X42X15)	1	
6	57300-87851	PINION/GEAR SET	1	
7	09140-12034	NUT	1	
8-1	09181-35101	SHIM (T:0.50)	AR	DRIVE SHAFT ADJUST
8-2	09181-33001	SHIM (T:0.55)	AR	
8-3	09181-33002	SHIM (T:0.60)	AR	
8-4	09181-33003	SHIM (T:0.65)	AR	
8-5	09181-33004	SHIM (T:0.70)	AR	
8-6	09181-33005	SHIM (T:0.75)	AR	
8-7	09181-33006	SHIM (T:0.80)	AR	
8-8	09181-33007	SHIM (T:0.85)	AR	
8-9	09181-33008	SHIM (T:0.90)	AR	
8-10	09181-33009	SHIM (T:0.95)	AR	
8-11	09181-35110	SHIM (T:1.00)	AR	
9-1	09181-30186	SHIM (T:0.50)	AR	FORWARD BACKUP
9-2	09181-30187	SHIM (T:0.60)	AR	
9-3	09181-30188	SHIM (T:0.70)	AR	
9-4	09181-30190	SHIM (T:0.80)	AR	
9-5	09181-30192	SHIM (T:0.90)	AR	
10-1	08221-35455	SHIM	AR	REVERSE BACKUP
10-2	09181-35131	SHIM (T:0.60)	AR	
10-3	09181-35132	SHIM (T:0.70)	AR	
10-4	08221-35456	SHIM	AR	
10-5	09181-35136	SHIM (T:0.90)	AR	
10-6	08211-35451	WASHER	AR	
11-1	09160-22018	WASHER (22.2X28X1.8)	1	PROP SHAFT THRUST
11-2	09160-22019	WASHER (22.5X28X1.9)	1	
11-3	09160-22020	WASHER (22.5X28X2)	1	
11-4	09160-22021	WASHER (22.5X28X2.1)	1	
11-5	09160-22022	WASHER (22.5X28X2.2)	1	

FIG.176

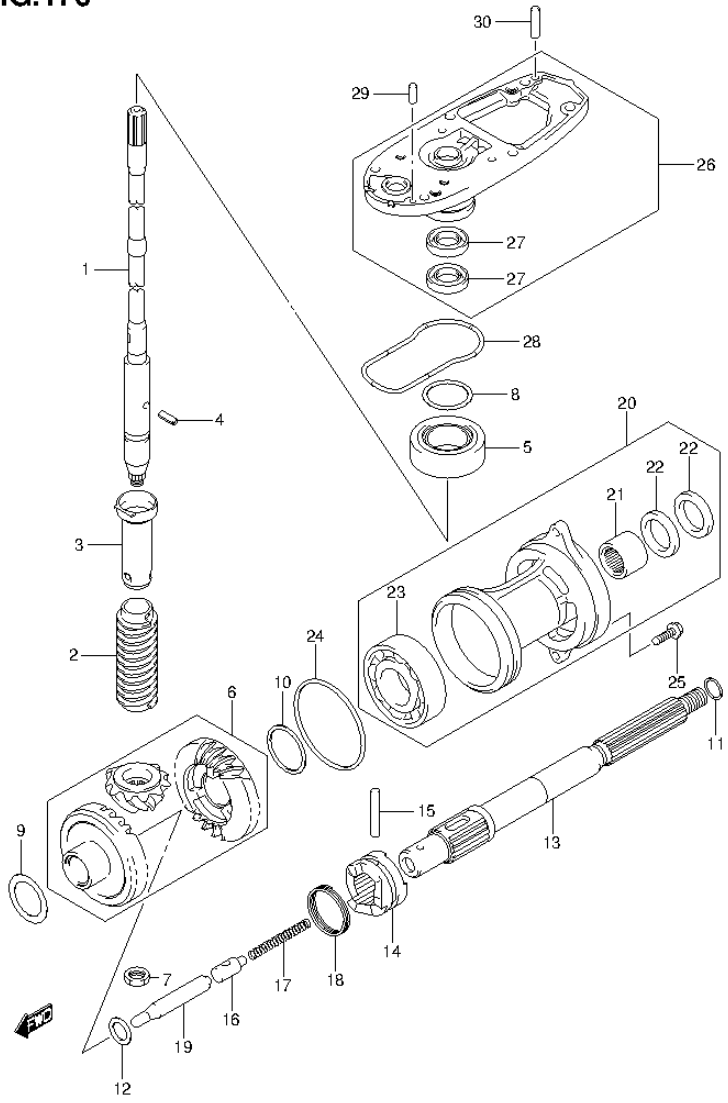


FIG.176 (2-E-6) TRANSMISSION (DF50ATH E01)

REF NO.	PART NO.	DESCRIPTION	Q'TY	REMARKS
11-6	09160-22023	WASHER (22.5X28X2.3)	1	
12	08211-20263	WASHER	1	
13	57610-94402	SHAFT, PROPELLER	1	
14	57621-87J02	SHIFTER, CLUTCH DOG	1	
15	09202-05022	PIN (5.5X38.5)	1	
16	57634-88L00	PIN, PUSH	1	
17	09440-08043	SPRING	1	
18	09440-40002	SPRING	1	
19	57631-95303	ROD, PUSH	1	
20	56120-94321-0EP	HOUSING, PROP SHAFT BEARING (BLACK)	1	
21	09263-22020	.BEARING (22.2X28.5X19)	1	
22	09289-22007	.OIL SEAL (22X35X5)	2	
23	09262-35070	.BEARING (35X62X14)	1	
24	09280-75001	O RING (D:3.3,ID:75)	1	
25	09116-08122	BOLT (8X30)	2	
26	56130-87J10-0EP	HOUSING, DRIVE SHAFT BEARING (BLACK)	1	
27	09282-17005	.OIL SEAL (17X32X6)	2	
28	55122-88L00	RING, GEAR CASE SEAL	1	
29	09202-06025	PIN (6X17)	1	
30	09202-06027	PIN (6X23)	1	

FIG.177

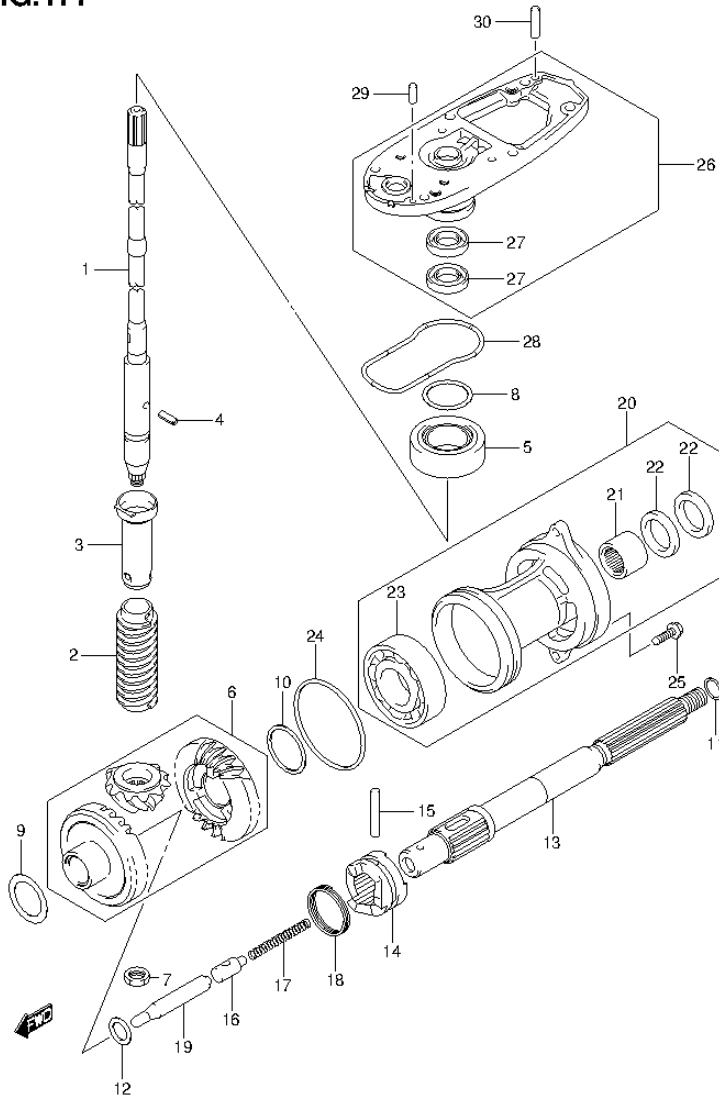


FIG.177 (2-E-7) TRANSMISSION (DF60A E01)

REF NO.	PART NO.	DESCRIPTION	Q'TY	REMARKS
1-1	57110-88L02	SHAFT ASSY, DRIVE (S)	1	W/TRANSOM(S)
1-2	57110-88L12	SHAFT ASSY, DRIVE (L)	1	W/TRANSOM(L)
1-3	57110-88L22	SHAFT ASSY, DRIVE (X)	1	W/TRANSOM(X)
2	57133-88L01	COLLAR, DRIVE SHAFT	1	
3	57133-94400	HOUSING, DRIVE SHAFT SPRING	1	
4	09205-03019	SPRING PIN (3X10)	1	
5	09265-20015	BEARING (20X42X15)	1	
6	57300-87851	PINION/GEAR SET	1	
7	09140-12034	NUT	1	
8-1	09181-35101	SHIM (T:0.50)	AR	DRIVE SHAFT ADJUST
8-2	09181-33001	SHIM (T:0.55)	AR	
8-3	09181-33002	SHIM (T:0.60)	AR	
8-4	09181-33003	SHIM (T:0.65)	AR	
8-5	09181-33004	SHIM (T:0.70)	AR	
8-6	09181-33005	SHIM (T:0.75)	AR	
8-7	09181-33006	SHIM (T:0.80)	AR	
8-8	09181-33007	SHIM (T:0.85)	AR	
8-9	09181-33008	SHIM (T:0.90)	AR	
8-10	09181-33009	SHIM (T:0.95)	AR	
8-11	09181-35110	SHIM (T:1.00)	AR	
9-1	09181-30186	SHIM (T:0.50)	AR	FORWARD BACKUP
9-2	09181-30187	SHIM (T:0.60)	AR	
9-3	09181-30188	SHIM (T:0.70)	AR	
9-4	09181-30190	SHIM (T:0.80)	AR	
9-5	09181-30192	SHIM (T:0.90)	AR	
10-1	08221-35455	SHIM	AR	REVERSE BACKUP
10-2	09181-35131	SHIM (T:0.60)	AR	
10-3	09181-35132	SHIM (T:0.70)	AR	
10-4	08221-35456	SHIM	AR	
10-5	09181-35136	SHIM (T:0.90)	AR	
10-6	08211-35451	WASHER	AR	
11-1	09160-22018	WASHER (22.2X28X1.8)	1	PROP SHAFT THRUST
11-2	09160-22019	WASHER (22.5X28X1.9)	1	
11-3	09160-22020	WASHER (22.5X28X2)	1	

FIG.177

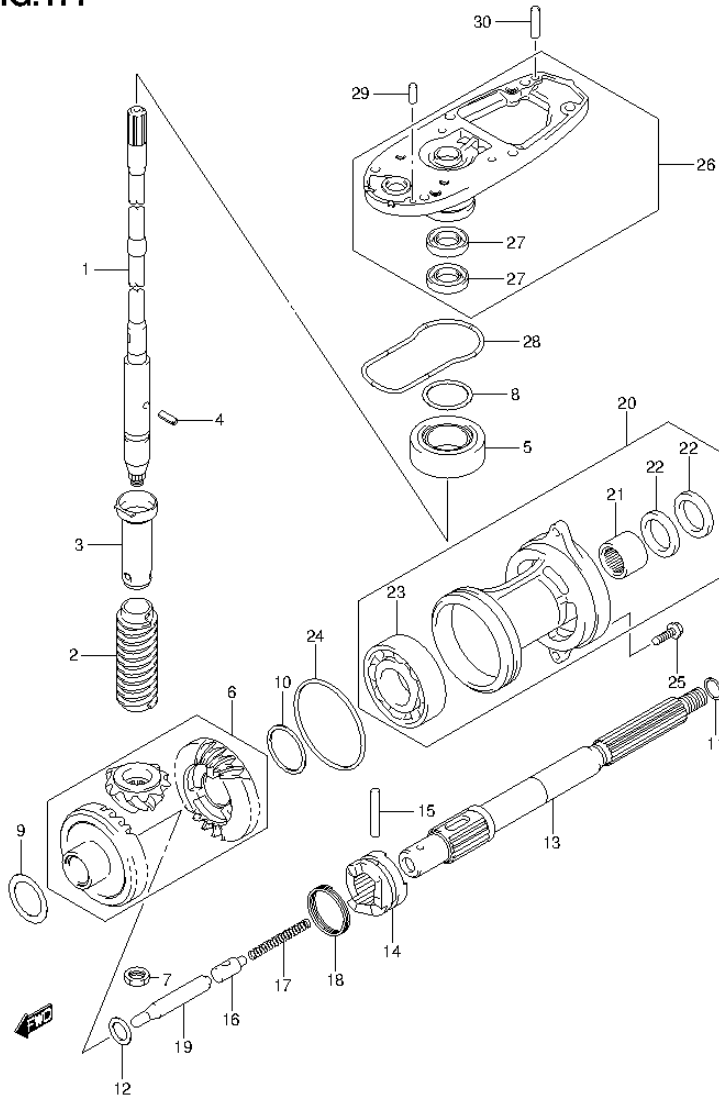


FIG.177 (2-E-8) TRANSMISSION (DF60A E01)

REF NO.	PART NO.	DESCRIPTION	Q'TY	REMARKS
11-4	09160-22021	WASHER (22.5X28X2.1)	1	
11-5	09160-22022	WASHER (22.5X28X2.2)	1	
11-6	09160-22023	WASHER (22.5X28X2.3)	1	
12	08211-20263	WASHER	1	
13	57610-94402	SHAFT, PROPELLER	1	
14	57621-87J02	SHIFTER, CLUTCH DOG	1	
15	09202-05022	PIN (5.5X38.5)	1	
16	57634-88L00	PIN, PUSH	1	
17	09440-08043	SPRING	1	
18	09440-40002	SPRING	1	
19	57631-95303	ROD, PUSH	1	
20	56120-94321-0EP	HOUSING, PROP SHAFT BEARING (BLACK)	1	
21	09263-22020	.BEARING (22.2X28.5X19)	1	
22	09289-22007	.OIL SEAL (22X35X5)	2	
23	09262-35070	.BEARING (35X62X14)	1	
24	09280-75001	O RING (D:3.3,ID:75)	1	
25	09116-08122	BOLT (8X30)	2	
26	56130-87J10-0EP	HOUSING, DRIVE SHAFT BEARING (BLACK)	1	
27	09282-17005	.OIL SEAL (17X32X6)	2	
28	55122-88L00	RING, GEAR CASE SEAL	1	
29	09202-06025	PIN (6X17)	1	
30	09202-06027	PIN (6X23)	1	

FIG.178

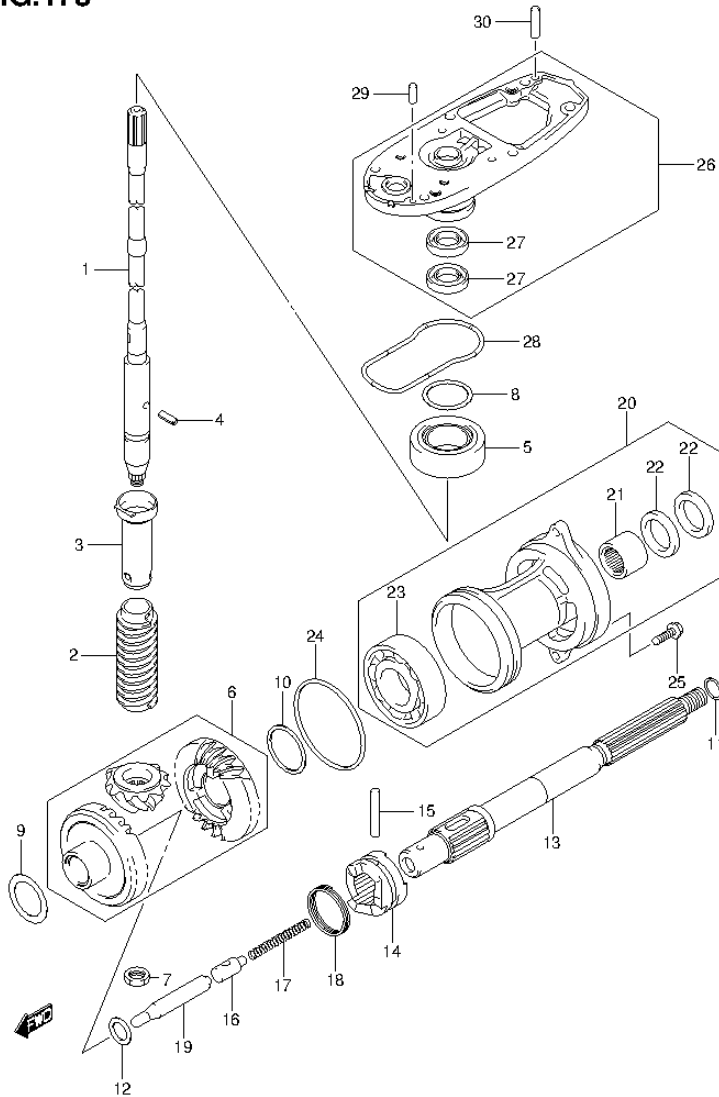


FIG.178 (2-E-9) TRANSMISSION (DF60A E40)

REF NO.	PART NO.	DESCRIPTION	Q'TY	REMARKS
1-1	57110-88L12	SHAFT ASSY, DRIVE (L)	1	W/TRANSOM(L)
1-2	57110-88L22	SHAFT ASSY, DRIVE (X)	1	W/TRANSOM(X)
2	57133-88L01	COLLAR, DRIVE SHAFT	1	
3	57133-94400	HOUSING, DRIVE SHAFT SPRING	1	
4	09205-03019	SPRING PIN (3X10)	1	
5	09265-20015	BEARING (20X42X15)	1	
6	57300-87851	PINION/GEAR SET	1	
7	09140-12034	NUT	1	
8-1	09181-35101	SHIM (T:0.50)	AR	DRIVE SHAFT ADJUST
8-2	09181-33001	SHIM (T:0.55)	AR	
8-3	09181-33002	SHIM (T:0.60)	AR	
8-4	09181-33003	SHIM (T:0.65)	AR	
8-5	09181-33004	SHIM (T:0.70)	AR	
8-6	09181-33005	SHIM (T:0.75)	AR	
8-7	09181-33006	SHIM (T:0.80)	AR	
8-8	09181-33007	SHIM (T:0.85)	AR	
8-9	09181-33008	SHIM (T:0.90)	AR	
8-10	09181-33009	SHIM (T:0.95)	AR	
8-11	09181-35110	SHIM (T:1.00)	AR	
9-1	09181-30186	SHIM (T:0.50)	AR	FORWARD BACKUP
9-2	09181-30187	SHIM (T:0.60)	AR	
9-3	09181-30188	SHIM (T:0.70)	AR	
9-4	09181-30190	SHIM (T:0.80)	AR	
9-5	09181-30192	SHIM (T:0.90)	AR	
10-1	08221-35455	SHIM	AR	REVERSE BACKUP
10-2	09181-35131	SHIM (T:0.60)	AR	
10-3	09181-35132	SHIM (T:0.70)	AR	
10-4	08221-35456	SHIM	AR	
10-5	09181-35136	SHIM (T:0.90)	AR	
10-6	08211-35451	WASHER	AR	
11-1	09160-22018	WASHER (22.2X28X1.8)	1	PROP SHAFT THRUST
11-2	09160-22019	WASHER (22.5X28X1.9)	1	
11-3	09160-22020	WASHER (22.5X28X2)	1	
11-4	09160-22021	WASHER (22.5X28X2.1)	1	

FIG.178

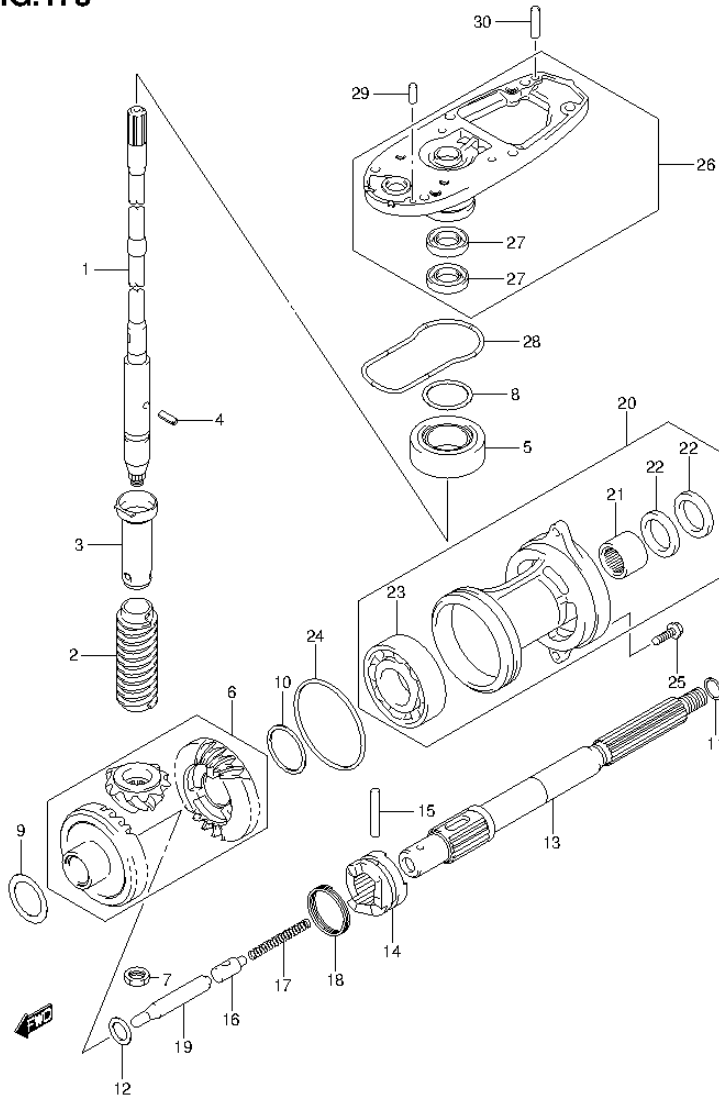


FIG.178 (2-E-10) TRANSMISSION (DF60A E40)

REF NO.	PART NO.	DESCRIPTION	Q'TY	REMARKS
11-5	09160-22022	WASHER (22.5X28X2.2)	1	
11-6	09160-22023	WASHER (22.5X28X2.3)	1	
12	08211-20263	WASHER	1	
13	57610-94402	SHAFT, PROPELLER	1	
14	57621-87J02	SHIFTER, CLUTCH DOG	1	
15	09202-05022	PIN (5.5X38.5)	1	
16	57634-88L00	PIN, PUSH	1	
17	09440-08043	SPRING	1	
18	09440-40002	SPRING	1	
19	57631-95303	ROD, PUSH	1	
20	56120-94321-0EP	HOUSING, PROP SHAFT BEARING (BLACK)	1	
21	09263-22020	BEARING (22.2X28.5X19)	1	
22	09289-22007	.OIL SEAL (22X35X5)	2	
23	09262-35070	.BEARING (35X62X14)	1	
24	09280-75001	O RING (D:3.3, ID:75)	1	
25	09116-08122	BOLT (8X30)	2	
26	56130-87J10-0EP	HOUSING, DRIVE SHAFT BEARING (BLACK)	1	
27	09282-17005	.OIL SEAL (17X32X6)	2	
28	55122-88L00	RING, GEAR CASE SEAL	1	
29	09202-06025	PIN (6X17)	1	
30	09202-06027	PIN (6X23)	1	

FIG.179

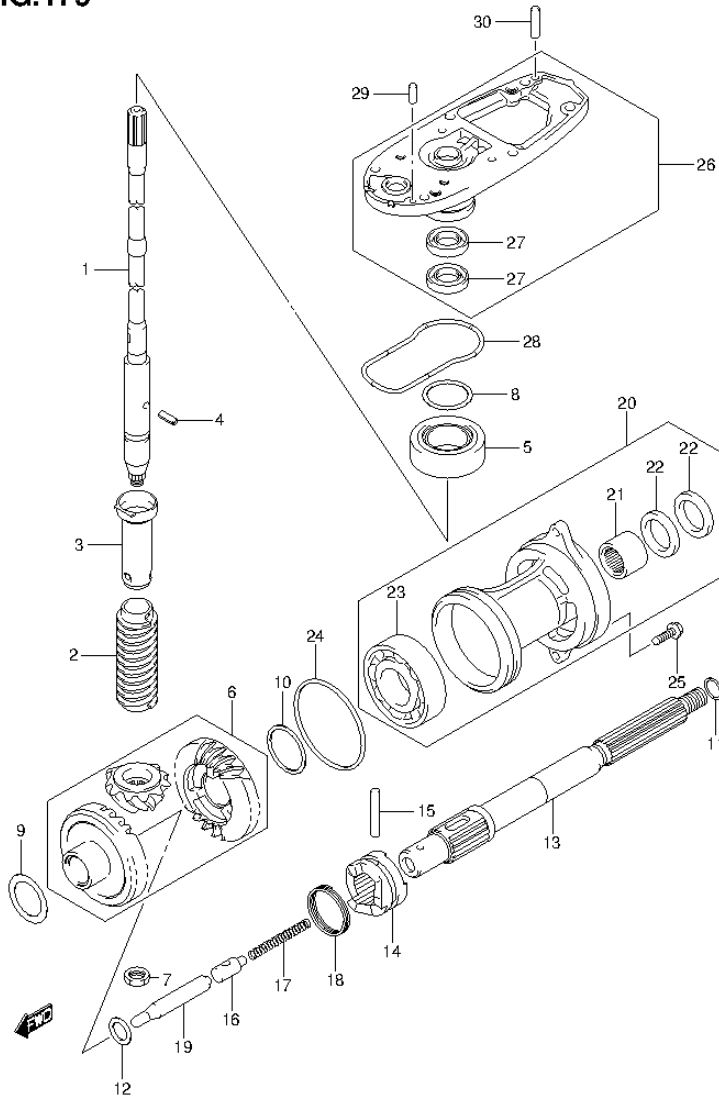


FIG.179 (2-E-11) TRANSMISSION (DF60AQH E01)

REF NO.	PART NO.	DESCRIPTION	Q'TY	REMARKS
1-1	57110-88L12	SHAFT ASSY, DRIVE (L)	1	W/TRANSOM(L)
1-2	57110-88L22	SHAFT ASSY, DRIVE (X)	1	W/TRANSOM(X)
2	57133-88L01	COLLAR, DRIVE SHAFT	1	
3	57133-94400	HOUSING, DRIVE SHAFT SPRING	1	
4	09205-03019	SPRING PIN (3X10)	1	
5	09265-20015	BEARING (20X42X15)	1	
6	57300-87851	PINION/GEAR SET	1	
7	09140-12034	NUT	1	
8-1	09181-35101	SHIM (T:0.50)	AR	DRIVE SHAFT ADJUST
8-2	09181-33001	SHIM (T:0.55)	AR	
8-3	09181-33002	SHIM (T:0.60)	AR	
8-4	09181-33003	SHIM (T:0.65)	AR	
8-5	09181-33004	SHIM (T:0.70)	AR	
8-6	09181-33005	SHIM (T:0.75)	AR	
8-7	09181-33006	SHIM (T:0.80)	AR	
8-8	09181-33007	SHIM (T:0.85)	AR	
8-9	09181-33008	SHIM (T:0.90)	AR	
8-10	09181-33009	SHIM (T:0.95)	AR	
8-11	09181-35110	SHIM (T:1.00)	AR	
9-1	09181-30186	SHIM (T:0.50)	AR	FORWARD BACKUP
9-2	09181-30187	SHIM (T:0.60)	AR	
9-3	09181-30188	SHIM (T:0.70)	AR	
9-4	09181-30190	SHIM (T:0.80)	AR	
9-5	09181-30192	SHIM (T:0.90)	AR	
10-1	08221-35455	SHIM	AR	REVERSE BACKUP
10-2	09181-35131	SHIM (T:0.60)	AR	
10-3	09181-35132	SHIM (T:0.70)	AR	
10-4	08221-35456	SHIM	AR	
10-5	09181-35136	SHIM (T:0.90)	AR	
10-6	08211-35451	WASHER	AR	
11-1	09160-22018	WASHER (22.2X28X1.8)	1	PROP SHAFT THRUST
11-2	09160-22019	WASHER (22.5X28X1.9)	1	
11-3	09160-22020	WASHER (22.5X28X2)	1	
11-4	09160-22021	WASHER (22.5X28X2.1)	1	

FIG.179

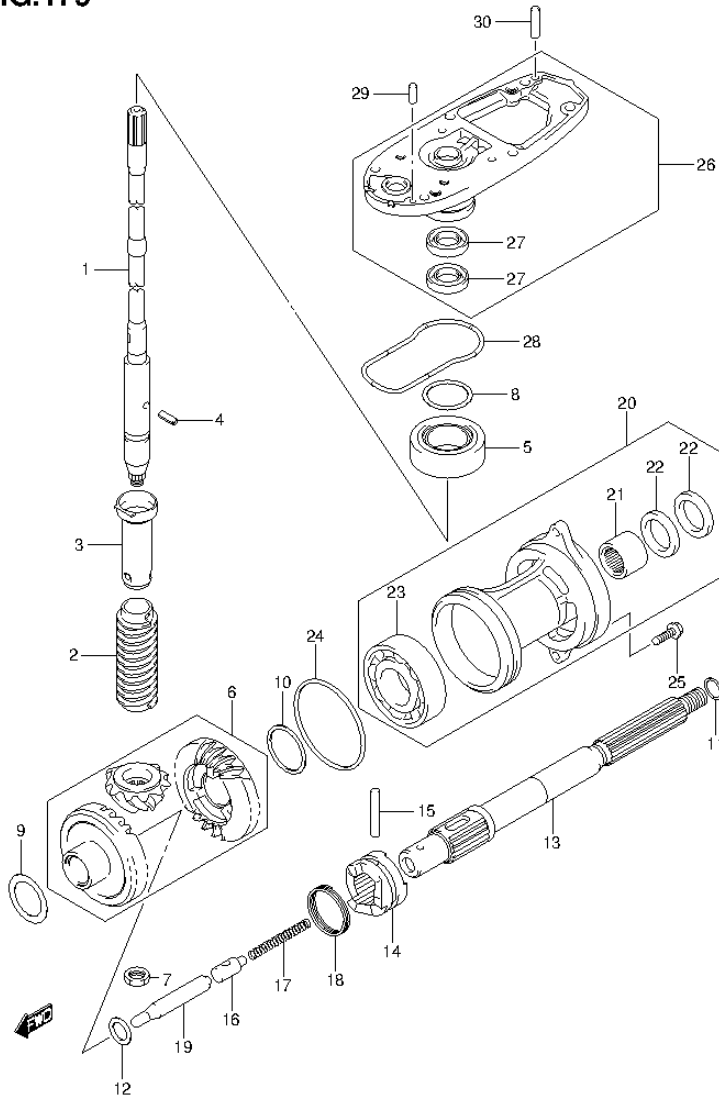


FIG.179 (2-E-12) TRANSMISSION (DF60AQH E01)

REF NO.	PART NO.	DESCRIPTION	Q'TY	REMARKS
11-5	09160-22022	WASHER (22.5X28X2.2)	1	
11-6	09160-22023	WASHER (22.5X28X2.3)	1	
12	08211-20263	WASHER	1	
13	57610-94402	SHAFT, PROPELLER	1	
14	57621-87J02	SHIFTER, CLUTCH DOG	1	
15	09202-05022	PIN (5.5X38.5)	1	
16	57634-88L00	PIN, PUSH	1	
17	09440-08043	SPRING	1	
18	09440-40002	SPRING	1	
19	57631-95303	ROD, PUSH	1	
20	56120-94321-0EP	HOUSING, PROP SHAFT BEARING (BLACK)	1	
21	09263-22020	BEARING (22.2X28.5X19)	1	
22	09289-22007	.OIL SEAL (22X35X5)	2	
23	09262-35070	.BEARING (35X62X14)	1	
24	09280-75001	O RING (D:3.3, ID:75)	1	
25	09116-08122	BOLT (8X30)	2	
26	56130-87J10-0EP	HOUSING, DRIVE SHAFT BEARING (BLACK)	1	
27	09282-17005	.OIL SEAL (17X32X6)	2	
28	55122-88L00	RING, GEAR CASE SEAL	1	
29	09202-06025	PIN (6X17)	1	
30	09202-06027	PIN (6X23)	1	

FIG.180

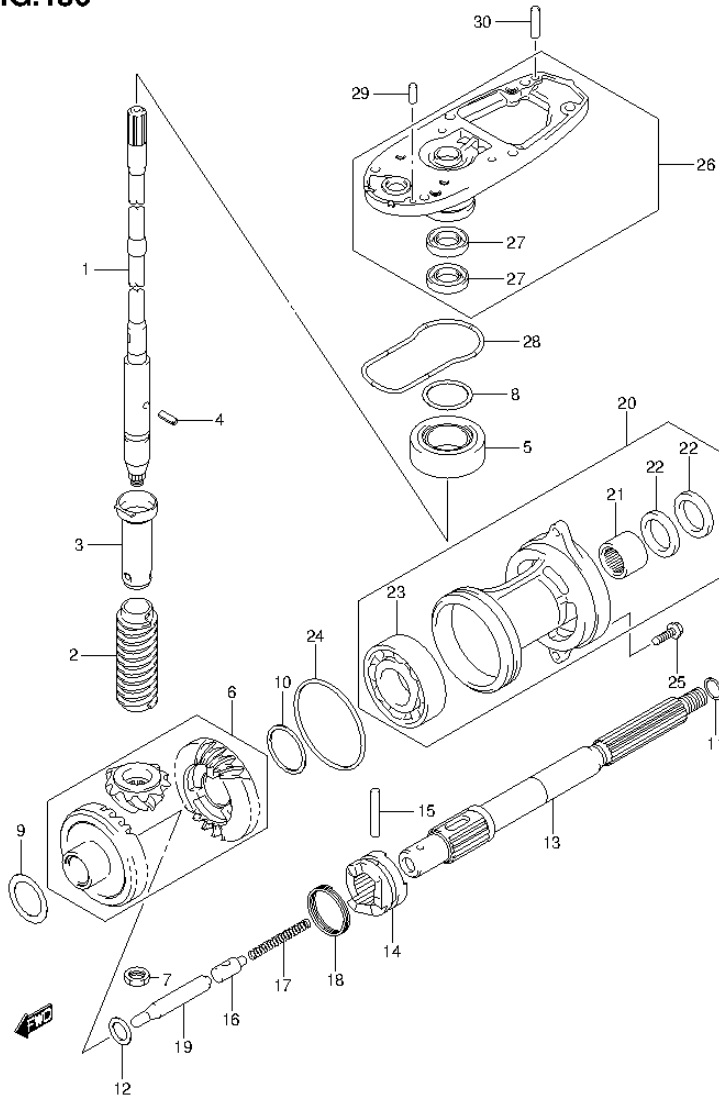


FIG.180 (2-E-13) TRANSMISSION (DF60AQH E40)

REF NO.	PART NO.	DESCRIPTION	Q'TY	REMARKS
1-1	57110-88L12	SHAFT ASSY, DRIVE (L)	1	W/TRANSOM(L)
1-2	57110-88L22	SHAFT ASSY, DRIVE (X)	1	W/TRANSOM(X)
2	57133-88L01	COLLAR, DRIVE SHAFT	1	
3	57133-94400	HOUSING, DRIVE SHAFT SPRING	1	
4	09205-03019	SPRING PIN (3X10)	1	
5	09265-20015	BEARING (20X42X15)	1	
6	57300-87851	PINION/GEAR SET	1	
7	09140-12034	NUT	1	
8-1	09181-35101	SHIM (T:0.50)	AR	DRIVE SHAFT ADJUST
8-2	09181-33001	SHIM (T:0.55)	AR	
8-3	09181-33002	SHIM (T:0.60)	AR	
8-4	09181-33003	SHIM (T:0.65)	AR	
8-5	09181-33004	SHIM (T:0.70)	AR	
8-6	09181-33005	SHIM (T:0.75)	AR	
8-7	09181-33006	SHIM (T:0.80)	AR	
8-8	09181-33007	SHIM (T:0.85)	AR	
8-9	09181-33008	SHIM (T:0.90)	AR	
8-10	09181-33009	SHIM (T:0.95)	AR	
8-11	09181-35110	SHIM (T:1.00)	AR	
9-1	09181-30186	SHIM (T:0.50)	AR	FORWARD BACKUP
9-2	09181-30187	SHIM (T:0.60)	AR	
9-3	09181-30188	SHIM (T:0.70)	AR	
9-4	09181-30190	SHIM (T:0.80)	AR	
9-5	09181-30192	SHIM (T:0.90)	AR	
10-1	08221-35455	SHIM	AR	REVERSE BACKUP
10-2	09181-35131	SHIM (T:0.60)	AR	
10-3	09181-35132	SHIM (T:0.70)	AR	
10-4	08221-35456	SHIM	AR	
10-5	09181-35136	SHIM (T:0.90)	AR	
10-6	08211-35451	WASHER	AR	
11-1	09160-22018	WASHER (22.2X28X1.8)	1	PROP SHAFT THRUST
11-2	09160-22019	WASHER (22.5X28X1.9)	1	
11-3	09160-22020	WASHER (22.5X28X2)	1	
11-4	09160-22021	WASHER (22.5X28X2.1)	1	

FIG.180

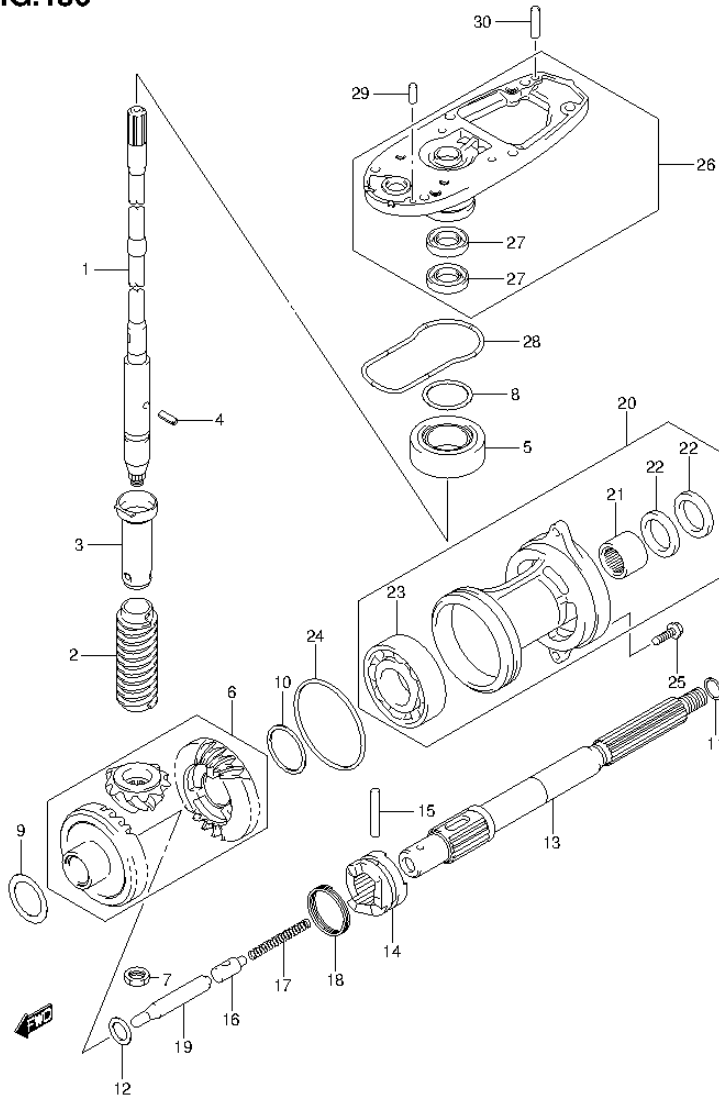


FIG.180 (2-E-14) TRANSMISSION (DF60AQH E40)

REF NO.	PART NO.	DESCRIPTION	Q'TY	REMARKS
11-5	09160-22022	WASHER (22.5X28X2.2)	1	
11-6	09160-22023	WASHER (22.5X28X2.3)	1	
12	08211-20263	WASHER	1	
13	57610-94402	SHAFT, PROPELLER	1	
14	57621-87J02	SHIFTER, CLUTCH DOG	1	
15	09202-05022	PIN (5.5X38.5)	1	
16	57634-88L00	PIN, PUSH	1	
17	09440-08043	SPRING	1	
18	09440-40002	SPRING	1	
19	57631-95303	ROD, PUSH	1	
20	56120-94321-0EP	HOUSING, PROP SHAFT BEARING (BLACK)	1	
21	09263-22020	BEARING (22.2X28.5X19)	1	
22	09289-22007	.OIL SEAL (22X35X5)	2	
23	09262-35070	.BEARING (35X62X14)	1	
24	09280-75001	O RING (D:3.3, ID:75)	1	
25	09116-08122	BOLT (8X30)	2	
26	56130-87J10-0EP	HOUSING, DRIVE SHAFT BEARING (BLACK)	1	
27	09282-17005	.OIL SEAL (17X32X6)	2	
28	55122-88L00	RING, GEAR CASE SEAL	1	
29	09202-06025	PIN (6X17)	1	
30	09202-06027	PIN (6X23)	1	

FIG.181

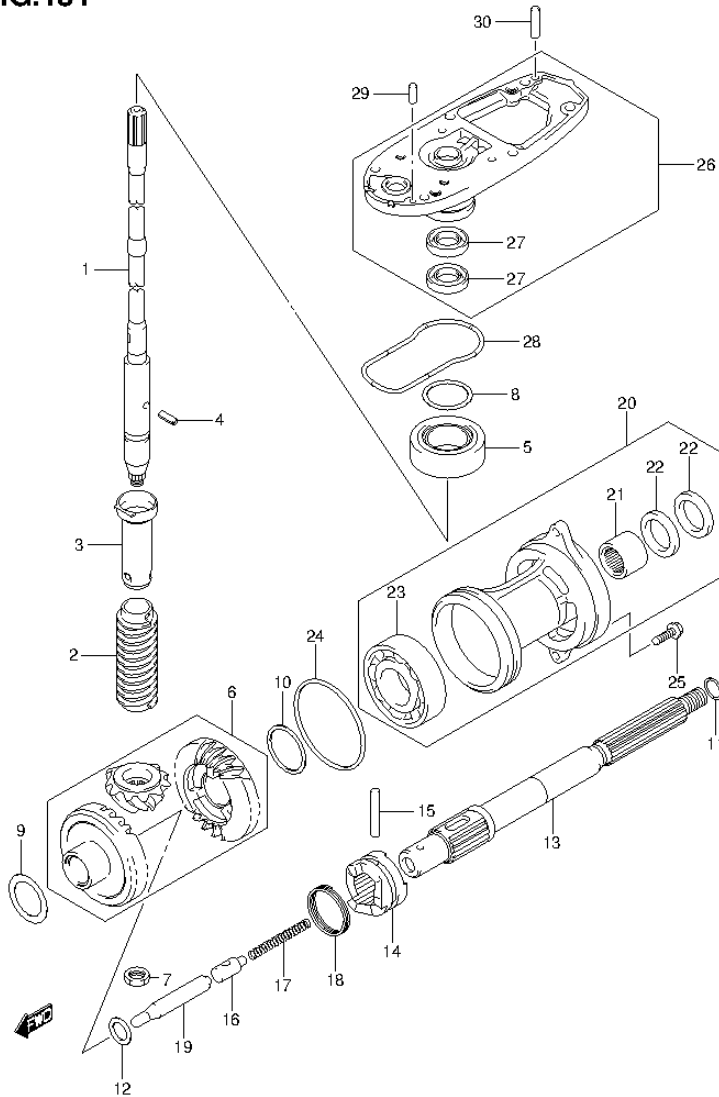


FIG.181 (2-E-15) TRANSMISSION (DF60ATH E01)

REF NO.	PART NO.	DESCRIPTION	Q'TY	REMARKS
1-1	57110-88L12	SHAFT ASSY, DRIVE (L)	1	W/TRANSOM(L)
1-2	57110-88L22	SHAFT ASSY, DRIVE (X)	1	W/TRANSOM(X)
2	57133-88L01	COLLAR, DRIVE SHAFT	1	
3	57133-94400	HOUSING, DRIVE SHAFT SPRING	1	
4	09205-03019	SPRING PIN (3X10)	1	
5	09265-20015	BEARING (20X42X15)	1	
6	57300-87851	PINION/GEAR SET	1	
7	09140-12034	NUT	1	
8-1	09181-35101	SHIM (T:0.50)	AR	DRIVE SHAFT ADJUST
8-2	09181-33001	SHIM (T:0.55)	AR	
8-3	09181-33002	SHIM (T:0.60)	AR	
8-4	09181-33003	SHIM (T:0.65)	AR	
8-5	09181-33004	SHIM (T:0.70)	AR	
8-6	09181-33005	SHIM (T:0.75)	AR	
8-7	09181-33006	SHIM (T:0.80)	AR	
8-8	09181-33007	SHIM (T:0.85)	AR	
8-9	09181-33008	SHIM (T:0.90)	AR	
8-10	09181-33009	SHIM (T:0.95)	AR	
8-11	09181-35110	SHIM (T:1.00)	AR	
9-1	09181-30186	SHIM (T:0.50)	AR	FORWARD BACKUP
9-2	09181-30187	SHIM (T:0.60)	AR	
9-3	09181-30188	SHIM (T:0.70)	AR	
9-4	09181-30190	SHIM (T:0.80)	AR	
9-5	09181-30192	SHIM (T:0.90)	AR	
10-1	08221-35455	SHIM	AR	REVERSE BACKUP
10-2	09181-35131	SHIM (T:0.60)	AR	
10-3	09181-35132	SHIM (T:0.70)	AR	
10-4	08221-35456	SHIM	AR	
10-5	09181-35136	SHIM (T:0.90)	AR	
10-6	08211-35451	WASHER	AR	
11-1	09160-22018	WASHER (22.2X28X1.8)	1	PROP SHAFT THRUST
11-2	09160-22019	WASHER (22.5X28X1.9)	1	
11-3	09160-22020	WASHER (22.5X28X2)	1	
11-4	09160-22021	WASHER (22.5X28X2.1)	1	

FIG.181

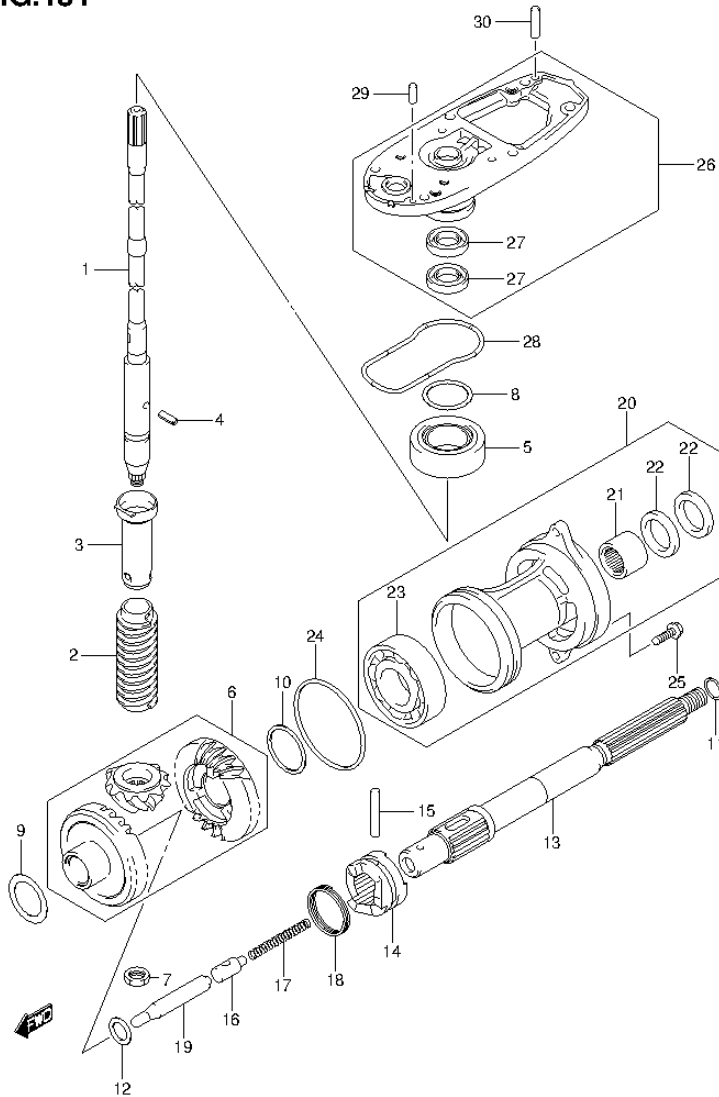


FIG.181 (2-F-2) TRANSMISSION (DF60ATH E01)

REF NO.	PART NO.	DESCRIPTION	Q'TY	REMARKS
11-5	09160-22022	WASHER (22.5X28X2.2)	1	
11-6	09160-22023	WASHER (22.5X28X2.3)	1	
12	08211-20263	WASHER	1	
13	57610-94402	SHAFT, PROPELLER	1	
14	57621-87J02	SHIFTER, CLUTCH DOG	1	
15	09202-05022	PIN (5.5X38.5)	1	
16	57634-88L00	PIN, PUSH	1	
17	09440-08043	SPRING	1	
18	09440-40002	SPRING	1	
19	57631-95303	ROD, PUSH	1	
20	56120-94321-0EP	HOUSING, PROP SHAFT BEARING (BLACK)	1	
21	09263-22020	BEARING (22.2X28.5X19)	1	
22	09289-22007	.OIL SEAL (22X35X5)	2	
23	09262-35070	.BEARING (35X62X14)	1	
24	09280-75001	O RING (D:3.3, ID:75)	1	
25	09116-08122	BOLT (8X30)	2	
26	56130-87J10-0EP	HOUSING, DRIVE SHAFT BEARING (BLACK)	1	
27	09282-17005	.OIL SEAL (17X32X6)	2	
28	55122-88L00	RING, GEAR CASE SEAL	1	
29	09202-06025	PIN (6X17)	1	
30	09202-06027	PIN (6X23)	1	

FIG.182

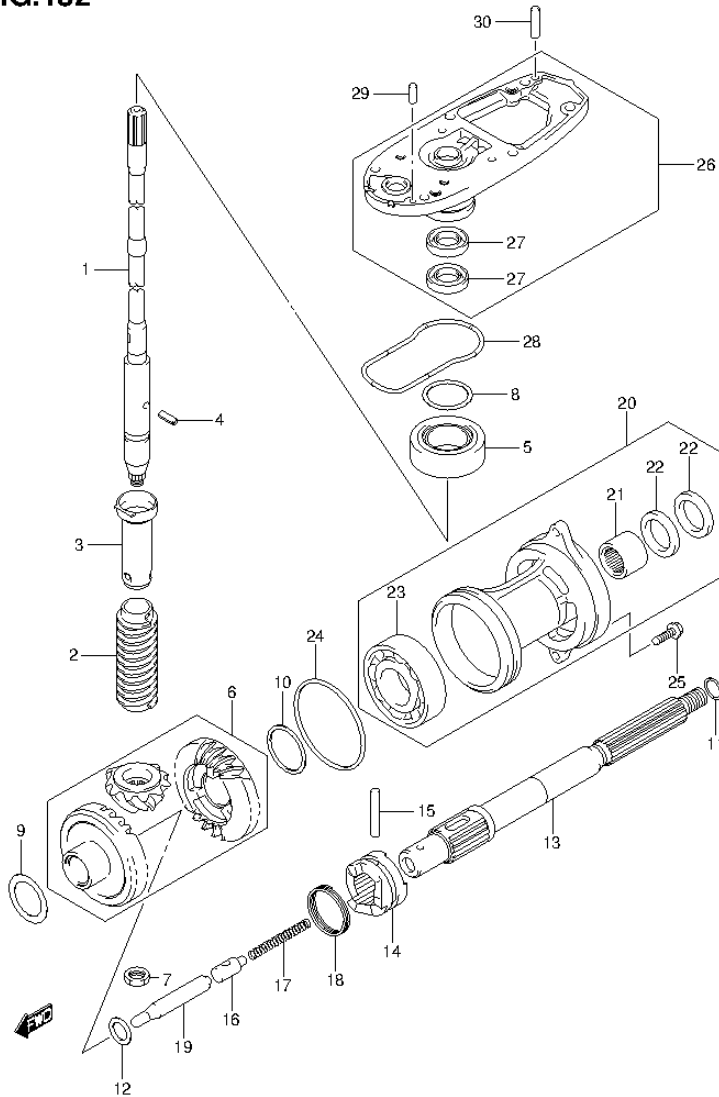


FIG.182 (2-F-3) TRANSMISSION (DF60ATH E40)

REF NO.	PART NO.	DESCRIPTION	Q'TY	REMARKS
1-1	57110-88L12	SHAFT ASSY, DRIVE (L)	1	W/TRANSOM(L)
1-2	57110-88L22	SHAFT ASSY, DRIVE (X)	1	W/TRANSOM(X)
2	57133-88L01	COLLAR, DRIVE SHAFT	1	
3	57133-94400	HOUSING, DRIVE SHAFT SPRING	1	
4	09205-03019	SPRING PIN (3X10)	1	
5	09265-20015	BEARING (20X42X15)	1	
6	57300-87851	PINION/GEAR SET	1	
7	09140-12034	NUT	1	
8-1	09181-35101	SHIM (T:0.50)	AR	DRIVE SHAFT ADJUST
8-2	09181-33001	SHIM (T:0.55)	AR	
8-3	09181-33002	SHIM (T:0.60)	AR	
8-4	09181-33003	SHIM (T:0.65)	AR	
8-5	09181-33004	SHIM (T:0.70)	AR	
8-6	09181-33005	SHIM (T:0.75)	AR	
8-7	09181-33006	SHIM (T:0.80)	AR	
8-8	09181-33007	SHIM (T:0.85)	AR	
8-9	09181-33008	SHIM (T:0.90)	AR	
8-10	09181-33009	SHIM (T:0.95)	AR	
8-11	09181-35110	SHIM (T:1.00)	AR	
9-1	09181-30186	SHIM (T:0.50)	AR	FORWARD BACKUP
9-2	09181-30187	SHIM (T:0.60)	AR	
9-3	09181-30188	SHIM (T:0.70)	AR	
9-4	09181-30190	SHIM (T:0.80)	AR	
9-5	09181-30192	SHIM (T:0.90)	AR	
10-1	08221-35455	SHIM	AR	REVERSE BACKUP
10-2	09181-35131	SHIM (T:0.60)	AR	
10-3	09181-35132	SHIM (T:0.70)	AR	
10-4	08221-35456	SHIM	AR	
10-5	09181-35136	SHIM (T:0.90)	AR	
10-6	08211-35451	WASHER	AR	
11-1	09160-22018	WASHER (22.2X28X1.8)	1	PROP SHAFT THRUST
11-2	09160-22019	WASHER (22.5X28X1.9)	1	
11-3	09160-22020	WASHER (22.5X28X2)	1	
11-4	09160-22021	WASHER (22.5X28X2.1)	1	

FIG.182

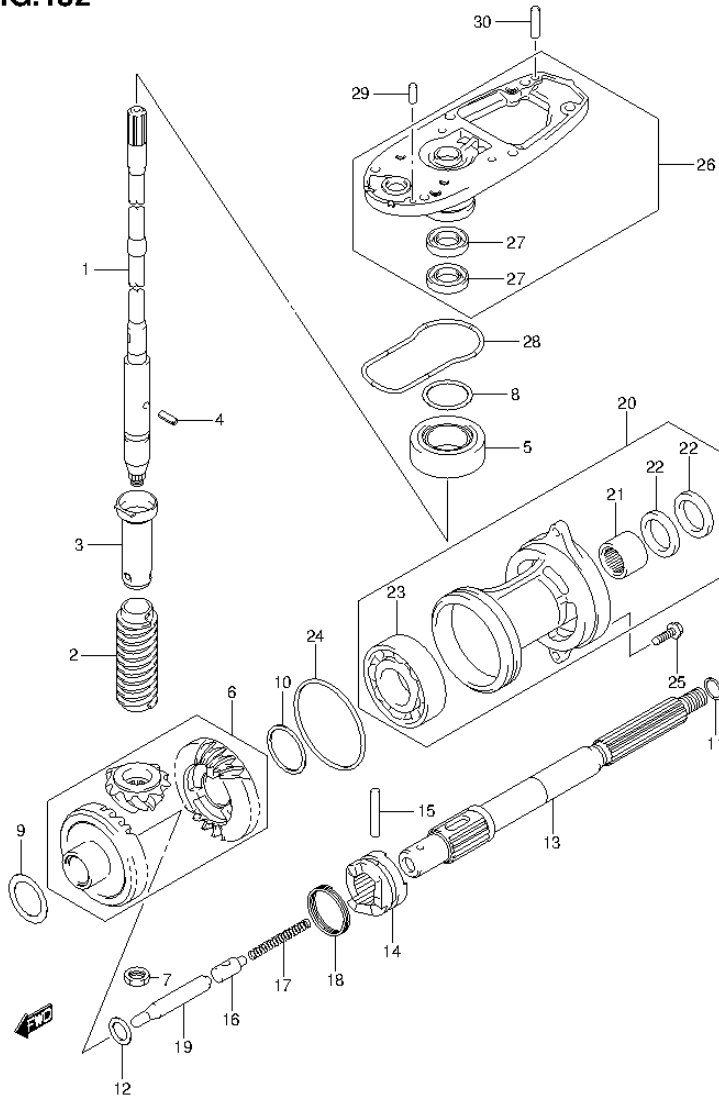


FIG.182 (2-F-4) TRANSMISSION (DF60ATH E40)

REF NO.	PART NO.	DESCRIPTION	Q'TY	REMARKS
11-5	09160-22022	WASHER (22.5X28X2.2)	1	
11-6	09160-22023	WASHER (22.5X28X2.3)	1	
12	08211-20263	WASHER	1	
13	57610-94402	SHAFT, PROPELLER	1	
14	57621-87J02	SHIFTER, CLUTCH DOG	1	
15	09202-05022	PIN (5.5X38.5)	1	
16	57634-88L00	PIN, PUSH	1	
17	09440-08043	SPRING	1	
18	09440-40002	SPRING	1	
19	57631-95303	ROD, PUSH	1	
20	56120-94321-0EP	HOUSING, PROP SHAFT BEARING (BLACK)	1	
21	09263-22020	BEARING (22.2X28.5X19)	1	
22	09289-22007	.OIL SEAL (22X35X5)	2	
23	09262-35070	.BEARING (35X62X14)	1	
24	09280-75001	O RING (D:3.3, ID:75)	1	
25	09116-08122	BOLT (8X30)	2	
26	56130-87J10-0EP	HOUSING, DRIVE SHAFT BEARING (BLACK)	1	
27	09282-17005	.OIL SEAL (17X32X6)	2	
28	55122-88L00	RING, GEAR CASE SEAL	1	
29	09202-06025	PIN (6X17)	1	
30	09202-06027	PIN (6X23)	1	

FIG.183

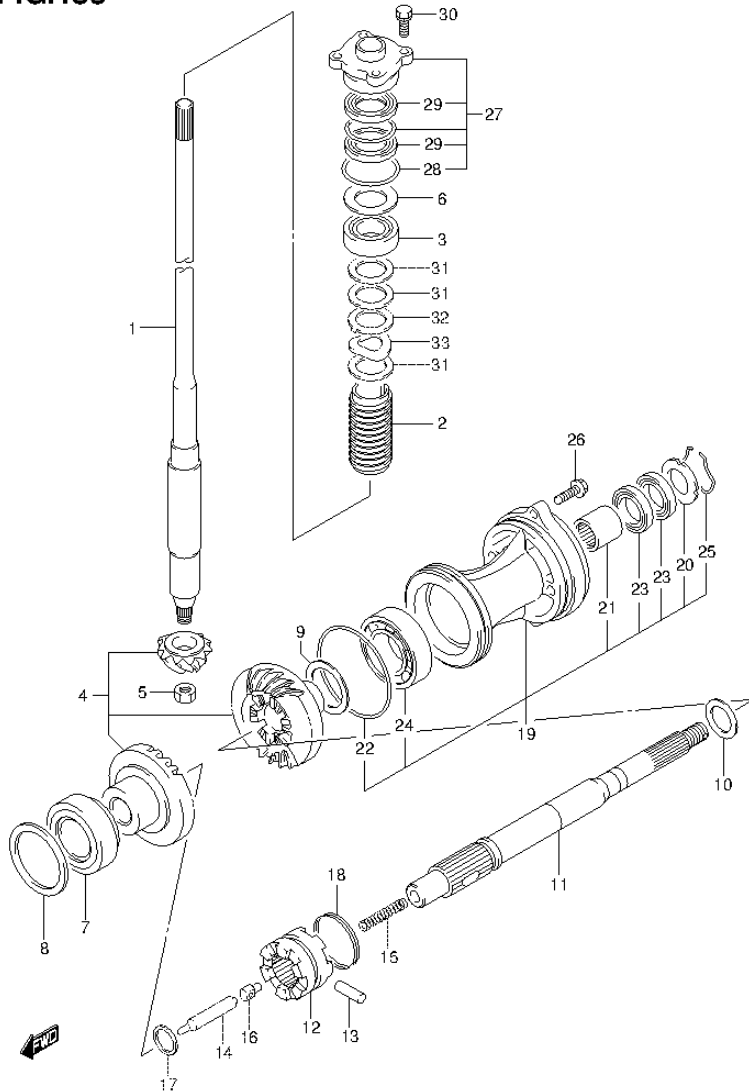


FIG.183 (2-F-5) TRANSMISSION (DF50AVT E01)

REF NO.	PART NO.	DESCRIPTION	Q'TY	REMARKS
1-1	57110-88L30	SHAFT ASSY, DRIVE (L)	1	W/TRANSOM(L)
1-2	57110-88L40	SHAFT ASSY, DRIVE (X)	1	W/TRANSOM(X)
2	57133-90J02	COLLAR, DRIVE SHAFT	1	
3	09265-25046	BEARING (25X52X19.25)	1	
4	57300-99824	PINION/GEAR SET	1	
5	09140-14024	NUT	1	
6-1	09181-40186	SHIM (T:0.50)	1	
6-2	09181-41002	SHIM (T:0.55)	1	
6-3	09181-41003	SHIM (T:0.60)	1	
6-4	09181-41004	SHIM (T:0.65)	1	
6-5	09181-41005	SHIM (T:0.70)	1	
6-6	09181-41006	SHIM (T:0.75)	1	
6-7	09181-40190	SHIM (T:0.80)	1	
6-8	09181-41008	SHIM (T:0.85)	1	
6-9	09181-41009	SHIM (T:0.90)	1	
6-10	09181-41010	SHIM (T:0.95)	1	
6-11	09181-40195	SHIM (T:1.00)	1	
6-12	09181-41012	SHIM (T:1.05)	1	
6-13	09181-41013	SHIM (T:1.10)	1	
6-14	09181-41014	SHIM (T:1.15)	1	
7	09265-50003	BEARING (50X85X26)	1	PART OF GEAR CASE
8-1	09181-50020	SHIM (T:0.45)	1	
8-2	09181-50021	SHIM (T:0.50)	1	
8-3	09181-50022	SHIM (T:0.55)	1	
8-4	09181-50023	SHIM (T:0.60)	1	
8-5	09181-50024	SHIM (T:0.65)	1	
8-6	09181-50025	SHIM (T:0.70)	1	
8-7	09181-50026	SHIM (T:0.75)	1	
8-8	09181-50027	SHIM (T:0.80)	1	
8-9	09181-50028	SHIM (T:0.85)	1	
8-10	09181-50029	SHIM (T:0.95)	1	
9-1	09181-45003	SHIM (T:1.00)	1	
9-2	09181-45004	SHIM (T:1.10)	1	
9-3	09181-45005	SHIM (T:1.20)	1	

FIG.183

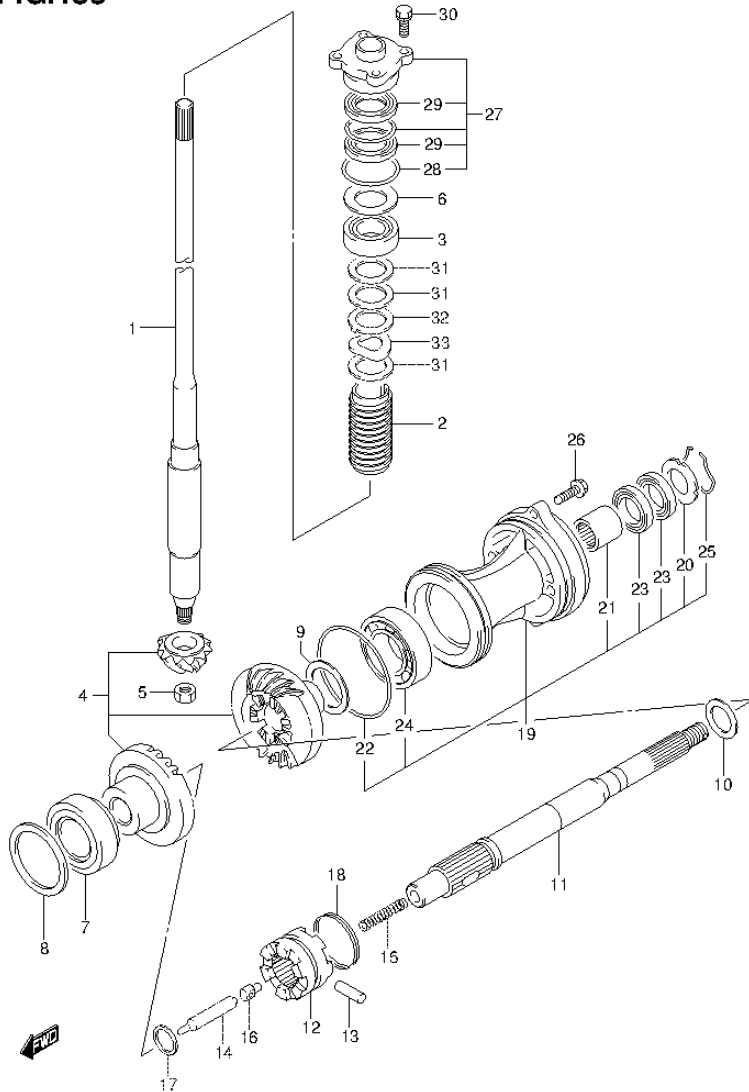


FIG.183 (2-F-6) TRANSMISSION (DF50AVT E01)

REF NO.	PART NO.	DESCRIPTION	Q'TY	REMARKS
9-4	09181-45006	SHIM (T:1.30)	1	
9-5	09181-45007	SHIM (T:1.40)	1	
9-6	09181-45008	SHIM (T:1.50)	1	
9-7	09181-45009	SHIM (T:1.60)	1	
10-1	09181-28015	SHIM (T:0.90)	1	
10-2	09181-28016	SHIM (T:1.00)	1	
10-3	09181-28017	SHIM (T:1.20)	1	
10-4	09181-28018	SHIM (T:1.30)	1	
10-5	09181-28019	SHIM (T:1.40)	1	
10-6	09181-28020	SHIM (T:1.60)	1	
11	57610-88L10	SHAFT ASSY, PROPELLER	1	
12	57621-94514	SHIFTER, CLUTCH DOG	1	
13	09202-07002	PIN (7X48)	1	
14	57631-99E01	ROD, PUSH	1	
15	09440-11020	SPRING	1	
16	09209-12007	PIN	1	
17	09181-25030	SHIM (25X32X3)	1	
18	09440-49004	SPRING	1	
19	56120-90J02-0EP	HOUSING, PROP SFT BRG (BLACK)	1	
20	56123-90J00	.WASHER, OIL SEAL PROTECTOR	1	
21	09263-28047	.BEARING (28X37X30)	1	
22	09280-97001	.O RING (D:3.5,ID:95)	1	
23	09282-28002	.OIL SEAL (28X50X6)	2	
24	08113-62090	.BEARING	1	
25	09387-52001	.RING SET	1	
26	09116-08122	BOLT (8X30)	2	
27	56130-87E00	HOUSING	1	
28	09280-46004	.O RING (D:3.5,ID:45.7)	1	
29	09282-22007	.OIL SEAL (22X36X6)	2	
30	09117-08110	BOLT (8X25)	4	
31	09181-31001	WASHER (31X46X2)	3	
32	09169-31001	WASHER	1	
33	09164-31001	WASHER	1	

FIG.184

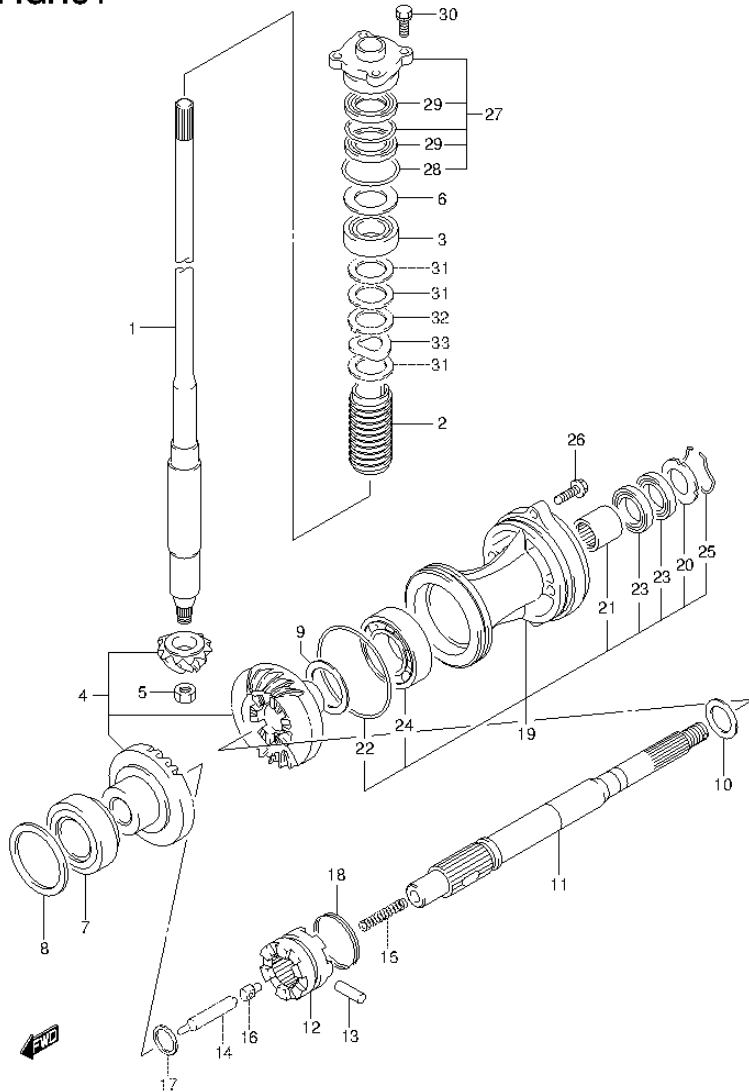


FIG.184 (2-F-7) TRANSMISSION (DF50AVTH E01)

REF NO.	PART NO.	DESCRIPTION	Q'TY	REMARKS
1-1	57110-88L30	SHAFT ASSY, DRIVE (L)	1	W/TRANSOM(L)
1-2	57110-88L40	SHAFT ASSY, DRIVE (X)	1	W/TRANSOM(X)
2	57133-90J02	COLLAR, DRIVE SHAFT	1	
3	09265-25046	BEARING (25X52X19.25)	1	
4	57300-99824	PINION/GEAR SET	1	
5	09140-14024	NUT	1	
6-1	09181-40186	SHIM (T:0.50)	1	
6-2	09181-41002	SHIM (T:0.55)	1	
6-3	09181-41003	SHIM (T:0.60)	1	
6-4	09181-41004	SHIM (T:0.65)	1	
6-5	09181-41005	SHIM (T:0.70)	1	
6-6	09181-41006	SHIM (T:0.75)	1	
6-7	09181-40190	SHIM (T:0.80)	1	
6-8	09181-41008	SHIM (T:0.85)	1	
6-9	09181-41009	SHIM (T:0.90)	1	
6-10	09181-41010	SHIM (T:0.95)	1	
6-11	09181-40195	SHIM (T:1.00)	1	
6-12	09181-41012	SHIM (T:1.05)	1	
6-13	09181-41013	SHIM (T:1.10)	1	
6-14	09181-41014	SHIM (T:1.15)	1	
7	09265-50003	BEARING (50X85X26)	1	PART OF GEAR CASE
8-1	09181-50020	SHIM (T:0.45)	1	
8-2	09181-50021	SHIM (T:0.50)	1	
8-3	09181-50022	SHIM (T:0.55)	1	
8-4	09181-50023	SHIM (T:0.60)	1	
8-5	09181-50024	SHIM (T:0.65)	1	
8-6	09181-50025	SHIM (T:0.70)	1	
8-7	09181-50026	SHIM (T:0.75)	1	
8-8	09181-50027	SHIM (T:0.80)	1	
8-9	09181-50028	SHIM (T:0.85)	1	
8-10	09181-50029	SHIM (T:0.95)	1	
9-1	09181-45003	SHIM (T:1.00)	1	
9-2	09181-45004	SHIM (T:1.10)	1	
9-3	09181-45005	SHIM (T:1.20)	1	

FIG.184

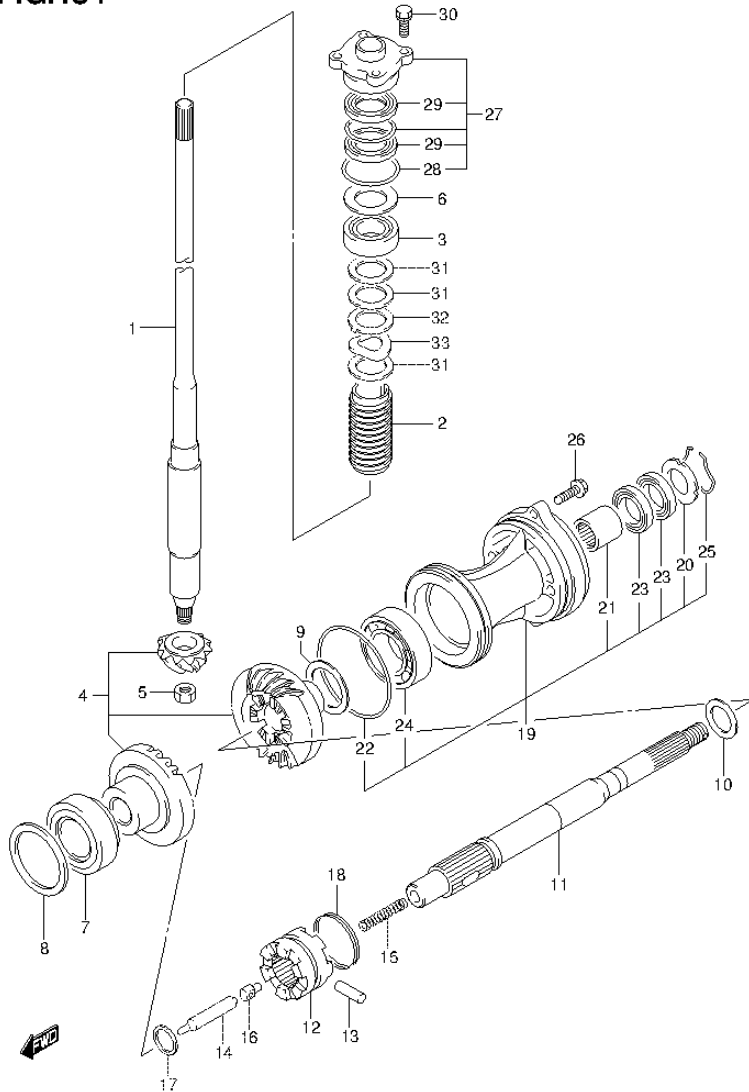


FIG.184 (2-F-8) TRANSMISSION (DF50AVTH E01)

REF NO.	PART NO.	DESCRIPTION	Q'TY	REMARKS
9-4	09181-45006	SHIM (T:1.30)	1	
9-5	09181-45007	SHIM (T:1.40)	1	
9-6	09181-45008	SHIM (T:1.50)	1	
9-7	09181-45009	SHIM (T:1.60)	1	
10-1	09181-28015	SHIM (T:0.90)	1	
10-2	09181-28016	SHIM (T:1.00)	1	
10-3	09181-28017	SHIM (T:1.20)	1	
10-4	09181-28018	SHIM (T:1.30)	1	
10-5	09181-28019	SHIM (T:1.40)	1	
10-6	09181-28020	SHIM (T:1.60)	1	
11	57610-88L10	SHAFT ASSY, PROPELLER	1	
12	57621-94514	SHIFTER, CLUTCH DOG	1	
13	09202-07002	PIN (7X48)	1	
14	57631-99E01	ROD, PUSH	1	
15	09440-11020	SPRING	1	
16	09209-12007	PIN	1	
17	09181-25030	SHIM (25X32X3)	1	
18	09440-49004	SPRING	1	
19	56120-90J02-0EP	HOUSING, PROP SFT BRG (BLACK)	1	
20	56123-90J00	.WASHER, OIL SEAL PROTECTOR	1	
21	09263-28047	.BEARING (28X37X30)	1	
22	09280-97001	.O RING (D:3.5,ID:95)	1	
23	09282-28002	.OIL SEAL (28X50X6)	2	
24	08113-62090	.BEARING	1	
25	09387-52001	.RING SET	1	
26	09116-08122	BOLT (8X30)	2	
27	56130-87E00	HOUSING	1	
28	09280-46004	.O RING (D:3.5,ID:45.7)	1	
29	09282-22007	.OIL SEAL (22X36X6)	2	
30	09117-08110	BOLT (8X25)	4	
31	09181-31001	WASHER (31X46X2)	3	
32	09169-31001	WASHER	1	
33	09164-31001	WASHER	1	

FIG.185

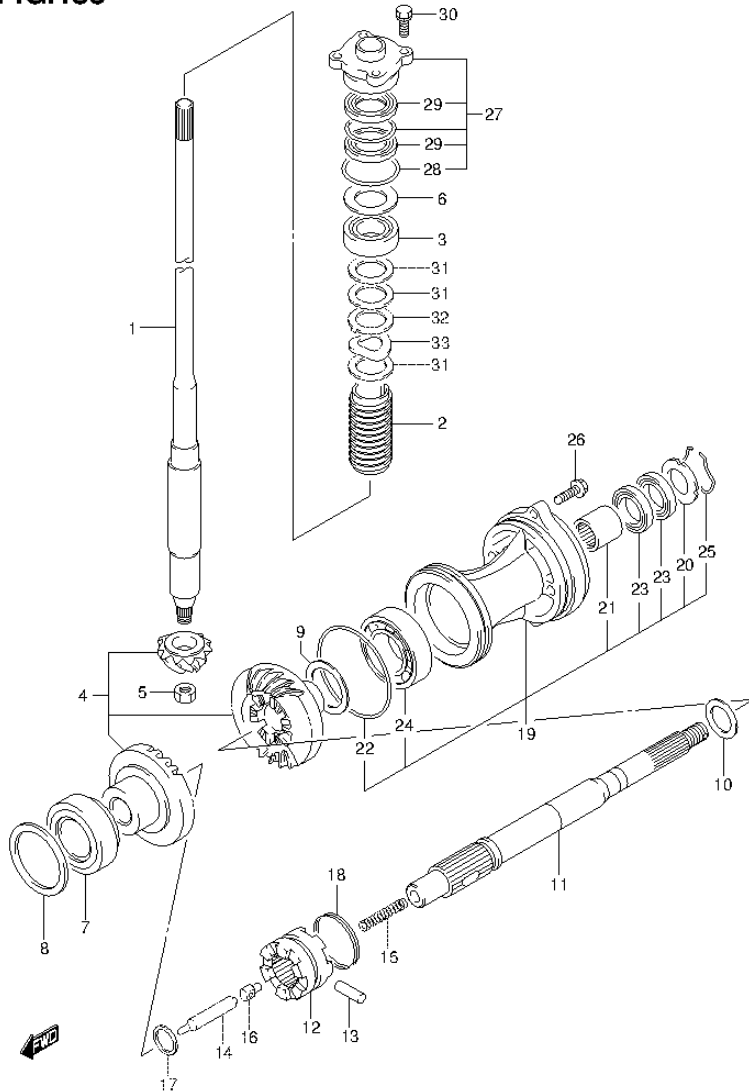


FIG.185 (2-F-10) TRANSMISSION (DF60AVT E01)

REF NO.	PART NO.	DESCRIPTION	Q'TY	REMARKS
9-4	09181-45006	SHIM (T:1.30)	1	
9-5	09181-45007	SHIM (T:1.40)	1	
9-6	09181-45008	SHIM (T:1.50)	1	
9-7	09181-45009	SHIM (T:1.60)	1	
10-1	09181-28015	SHIM (T:0.90)	1	
10-2	09181-28016	SHIM (T:1.00)	1	
10-3	09181-28017	SHIM (T:1.20)	1	
10-4	09181-28018	SHIM (T:1.30)	1	
10-5	09181-28019	SHIM (T:1.40)	1	
10-6	09181-28020	SHIM (T:1.60)	1	
11	57610-88L10	SHAFT ASSY, PROPELLER	1	
12	57621-94514	SHIFTER, CLUTCH DOG	1	
13	09202-07002	PIN (7X48)	1	
14	57631-99E01	ROD, PUSH	1	
15	09440-11020	SPRING	1	
16	09209-12007	PIN	1	
17	09181-25030	SHIM (25X32X3)	1	
18	09440-49004	SPRING	1	
19	56120-90J02-0EP	HOUSING, PROP SFT BRG (BLACK)	1	
20	56123-90J00	.WASHER, OIL SEAL PROTECTOR	1	
21	09263-28047	.BEARING (28X37X30)	1	
22	09280-97001	.O RING (D:3.5,ID:95)	1	
23	09282-28002	.OIL SEAL (28X50X6)	2	
24	08113-62090	.BEARING	1	
25	09387-52001	.RING SET	1	
26	09116-08122	BOLT (8X30)	2	
27	56130-87E00	HOUSING	1	
28	09280-46004	.O RING (D:3.5,ID:45.7)	1	
29	09282-22007	.OIL SEAL (22X36X6)	2	
30	09117-08110	BOLT (8X25)	4	
31	09181-31001	WASHER (31X46X2)	3	
32	09169-31001	WASHER	1	
33	09164-31001	WASHER	1	

FIG.186

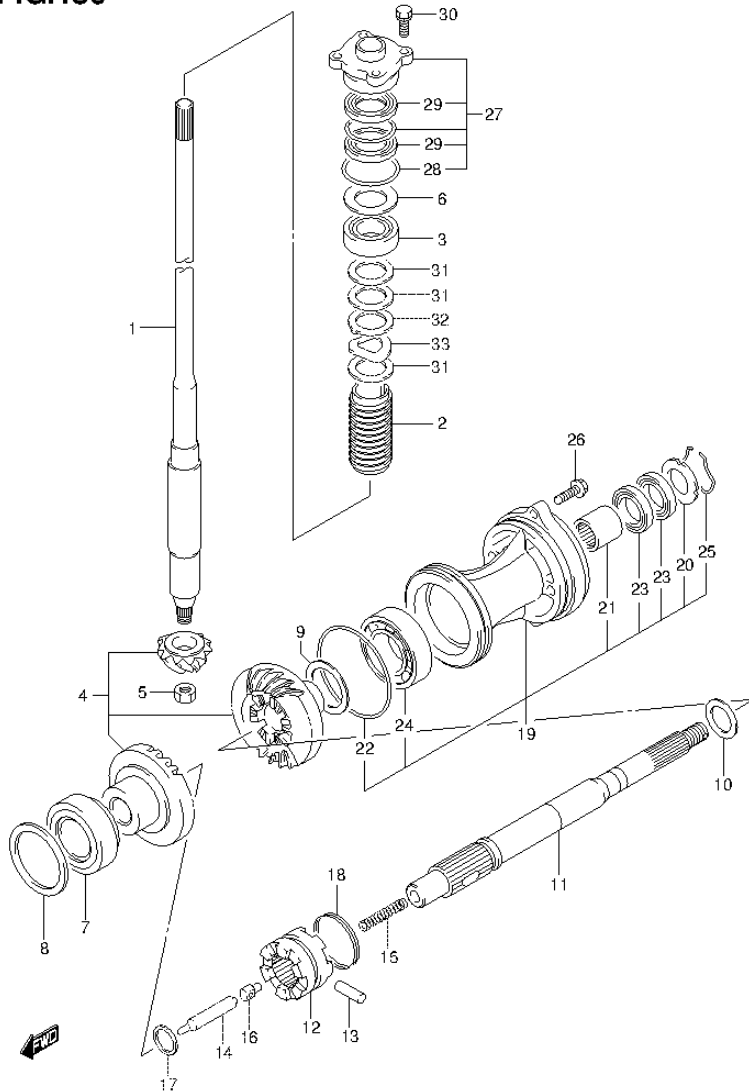


FIG.186 (2-F-11) TRANSMISSION (DF60AVT E40)

REF NO.	PART NO.	DESCRIPTION	Q'TY	REMARKS
1-1	57110-88L30	SHAFT ASSY, DRIVE (L)	1	W/TRANSOM(L)
1-2	57110-88L40	SHAFT ASSY, DRIVE (X)	1	W/TRANSOM(X)
2	57133-90J02	COLLAR, DRIVE SHAFT	1	
3	09265-25046	BEARING (25X52X19.25)	1	
4	57300-99824	PINION/GEAR SET	1	
5	09140-14024	NUT	1	
6-1	09181-40186	SHIM (T:0.50)	1	
6-2	09181-41002	SHIM (T:0.55)	1	
6-3	09181-41003	SHIM (T:0.60)	1	
6-4	09181-41004	SHIM (T:0.65)	1	
6-5	09181-41005	SHIM (T:0.70)	1	
6-6	09181-41006	SHIM (T:0.75)	1	
6-7	09181-40190	SHIM (T:0.80)	1	
6-8	09181-41008	SHIM (T:0.85)	1	
6-9	09181-41009	SHIM (T:0.90)	1	
6-10	09181-41010	SHIM (T:0.95)	1	
6-11	09181-40195	SHIM (T:1.00)	1	
6-12	09181-41012	SHIM (T:1.05)	1	
6-13	09181-41013	SHIM (T:1.10)	1	
6-14	09181-41014	SHIM (T:1.15)	1	
7	09265-50003	BEARING (50X85X26)	1	PART OF GEAR CASE
8-1	09181-50020	SHIM (T:0.45)	1	
8-2	09181-50021	SHIM (T:0.50)	1	
8-3	09181-50022	SHIM (T:0.55)	1	
8-4	09181-50023	SHIM (T:0.60)	1	
8-5	09181-50024	SHIM (T:0.65)	1	
8-6	09181-50025	SHIM (T:0.70)	1	
8-7	09181-50026	SHIM (T:0.75)	1	
8-8	09181-50027	SHIM (T:0.80)	1	
8-9	09181-50028	SHIM (T:0.85)	1	
8-10	09181-50029	SHIM (T:0.95)	1	
9-1	09181-45003	SHIM (T:1.00)	1	
9-2	09181-45004	SHIM (T:1.10)	1	
9-3	09181-45005	SHIM (T:1.20)	1	

FIG.186

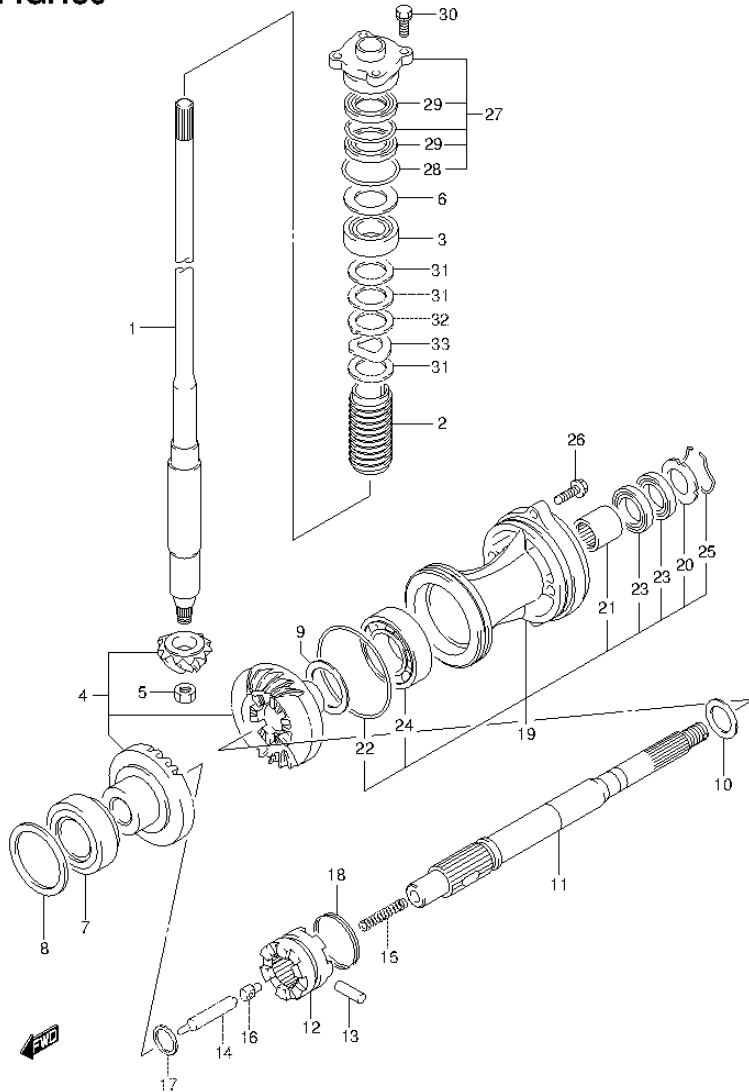


FIG.186 (2-F-12) TRANSMISSION (DF60AVT E40)

REF NO.	PART NO.	DESCRIPTION	Q'TY	REMARKS
9-4	09181-45006	SHIM (T:1.30)	1	
9-5	09181-45007	SHIM (T:1.40)	1	
9-6	09181-45008	SHIM (T:1.50)	1	
9-7	09181-45009	SHIM (T:1.60)	1	
10-1	09181-28015	SHIM (T:0.90)	1	
10-2	09181-28016	SHIM (T:1.00)	1	
10-3	09181-28017	SHIM (T:1.20)	1	
10-4	09181-28018	SHIM (T:1.30)	1	
10-5	09181-28019	SHIM (T:1.40)	1	
10-6	09181-28020	SHIM (T:1.60)	1	
11	57610-88L10	SHAFT ASSY, PROPELLER	1	
12	57621-94514	SHIFTER, CLUTCH DOG	1	
13	09202-07002	PIN (7X48)	1	
14	57631-99E01	ROD, PUSH	1	
15	09440-11020	SPRING	1	
16	09209-12007	PIN	1	
17	09181-25030	SHIM (25X32X3)	1	
18	09440-49004	SPRING	1	
19	56120-90J02-0EP	HOUSING, PROP SFT BRG (BLACK)	1	
20	56123-90J00	.WASHER, OIL SEAL PROTECTOR	1	
21	09263-28047	.BEARING (28X37X30)	1	
22	09280-97001	.O RING (D:3.5, ID:95)	1	
23	09282-28002	.OIL SEAL (28X50X6)	2	
24	08113-62090	.BEARING	1	
25	09387-52001	.RING SET	1	
26	09116-08122	BOLT (8X30)	2	
27	56130-87E00	HOUSING	1	
28	09280-46004	.O RING (D:3.5, ID:45.7)	1	
29	09282-22007	.OIL SEAL (22X36X6)	2	
30	09117-08110	BOLT (8X25)	4	
31	09181-31001	WASHER (31X46X2)	3	
32	09169-31001	WASHER	1	
33	09164-31001	WASHER	1	

FIG.187

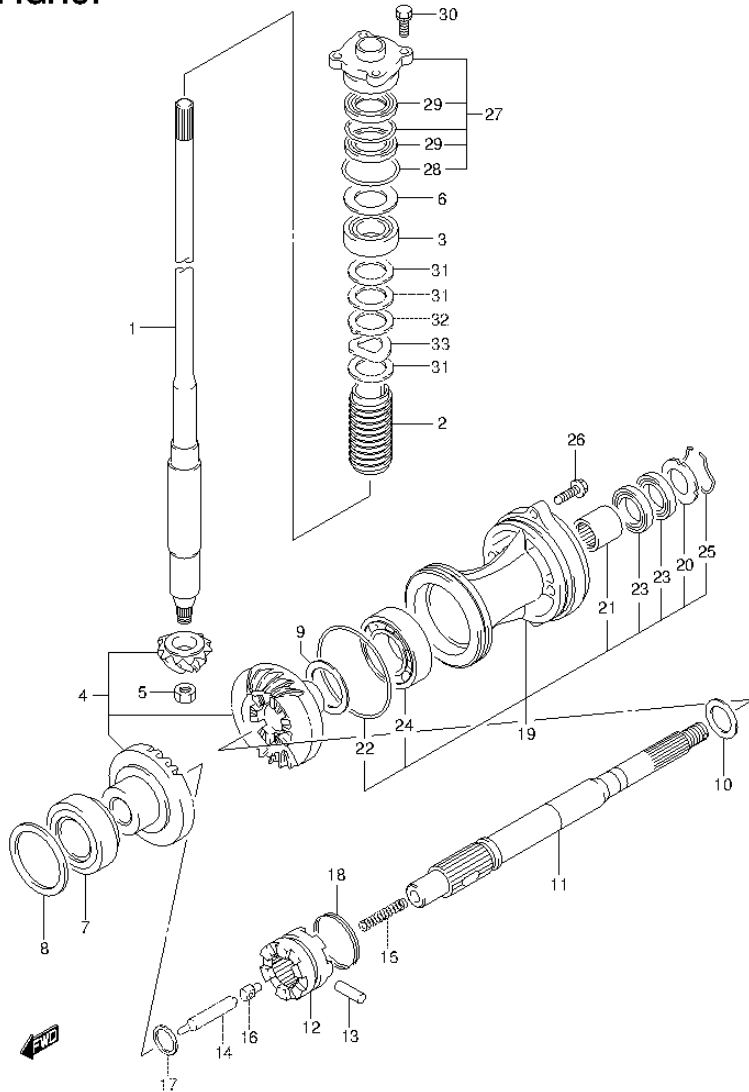


FIG.187 (2-F-13) TRANSMISSION (DF60AVTH E01)

REF NO.	PART NO.	DESCRIPTION	Q'TY	REMARKS
1-1	57110-88L30	SHAFT ASSY, DRIVE (L)	1	W/TRANSOM(L)
1-2	57110-88L40	SHAFT ASSY, DRIVE (X)	1	W/TRANSOM(X)
2	57133-90J02	COLLAR, DRIVE SHAFT	1	
3	09265-25046	BEARING (25X52X19.25)	1	
4	57300-99824	PINION/GEAR SET	1	
5	09140-14024	NUT	1	
6-1	09181-40186	SHIM (T:0.50)	1	
6-2	09181-41002	SHIM (T:0.55)	1	
6-3	09181-41003	SHIM (T:0.60)	1	
6-4	09181-41004	SHIM (T:0.65)	1	
6-5	09181-41005	SHIM (T:0.70)	1	
6-6	09181-41006	SHIM (T:0.75)	1	
6-7	09181-40190	SHIM (T:0.80)	1	
6-8	09181-41008	SHIM (T:0.85)	1	
6-9	09181-41009	SHIM (T:0.90)	1	
6-10	09181-41010	SHIM (T:0.95)	1	
6-11	09181-40195	SHIM (T:1.00)	1	
6-12	09181-41012	SHIM (T:1.05)	1	
6-13	09181-41013	SHIM (T:1.10)	1	
6-14	09181-41014	SHIM (T:1.15)	1	
7	09265-50003	BEARING (50X85X26)	1	PART OF GEAR CASE
8-1	09181-50020	SHIM (T:0.45)	1	
8-2	09181-50021	SHIM (T:0.50)	1	
8-3	09181-50022	SHIM (T:0.55)	1	
8-4	09181-50023	SHIM (T:0.60)	1	
8-5	09181-50024	SHIM (T:0.65)	1	
8-6	09181-50025	SHIM (T:0.70)	1	
8-7	09181-50026	SHIM (T:0.75)	1	
8-8	09181-50027	SHIM (T:0.80)	1	
8-9	09181-50028	SHIM (T:0.85)	1	
8-10	09181-50029	SHIM (T:0.95)	1	
9-1	09181-45003	SHIM (T:1.00)	1	
9-2	09181-45004	SHIM (T:1.10)	1	
9-3	09181-45005	SHIM (T:1.20)	1	

FIG.187

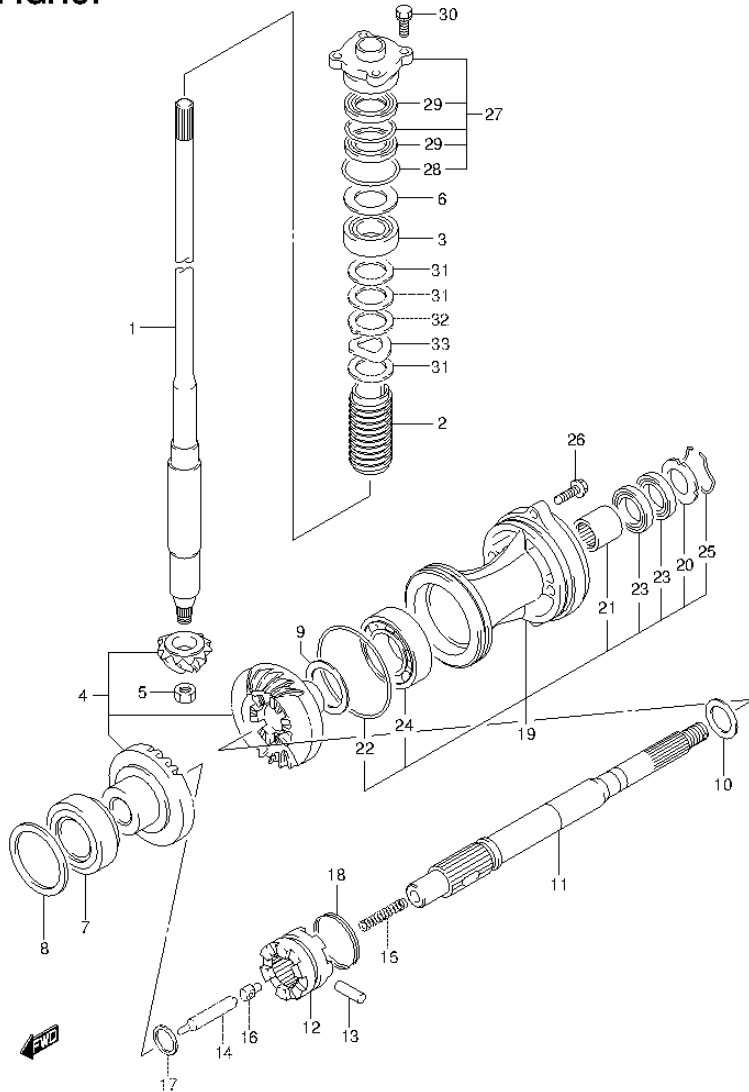


FIG.187 (2-F-14) TRANSMISSION (DF60AVTH E01)

REF NO.	PART NO.	DESCRIPTION	Q'TY	REMARKS
9-4	09181-45006	SHIM (T:1.30)	1	
9-5	09181-45007	SHIM (T:1.40)	1	
9-6	09181-45008	SHIM (T:1.50)	1	
9-7	09181-45009	SHIM (T:1.60)	1	
10-1	09181-28015	SHIM (T:0.90)	1	
10-2	09181-28016	SHIM (T:1.00)	1	
10-3	09181-28017	SHIM (T:1.20)	1	
10-4	09181-28018	SHIM (T:1.30)	1	
10-5	09181-28019	SHIM (T:1.40)	1	
10-6	09181-28020	SHIM (T:1.60)	1	
11	57610-88L10	SHAFT ASSY, PROPELLER	1	
12	57621-94514	SHIFTER, CLUTCH DOG	1	
13	09202-07002	PIN (7X48)	1	
14	57631-99E01	ROD, PUSH	1	
15	09440-11020	SPRING	1	
16	09209-12007	PIN	1	
17	09181-25030	SHIM (25X32X3)	1	
18	09440-49004	SPRING	1	
19	56120-90J02-0EP	HOUSING, PROP SFT BRG (BLACK)	1	
20	56123-90J00	.WASHER, OIL SEAL PROTECTOR	1	
21	09263-28047	.BEARING (28X37X30)	1	
22	09280-97001	.O RING (D:3.5,ID:95)	1	
23	09282-28002	.OIL SEAL (28X50X6)	2	
24	08113-62090	.BEARING	1	
25	09387-52001	.RING SET	1	
26	09116-08122	BOLT (8X30)	2	
27	56130-87E00	HOUSING	1	
28	09280-46004	.O RING (D:3.5,ID:45.7)	1	
29	09282-22007	.OIL SEAL (22X36X6)	2	
30	09117-08110	BOLT (8X25)	4	
31	09181-31001	WASHER (31X46X2)	3	
32	09169-31001	WASHER	1	
33	09164-31001	WASHER	1	

FIG.188

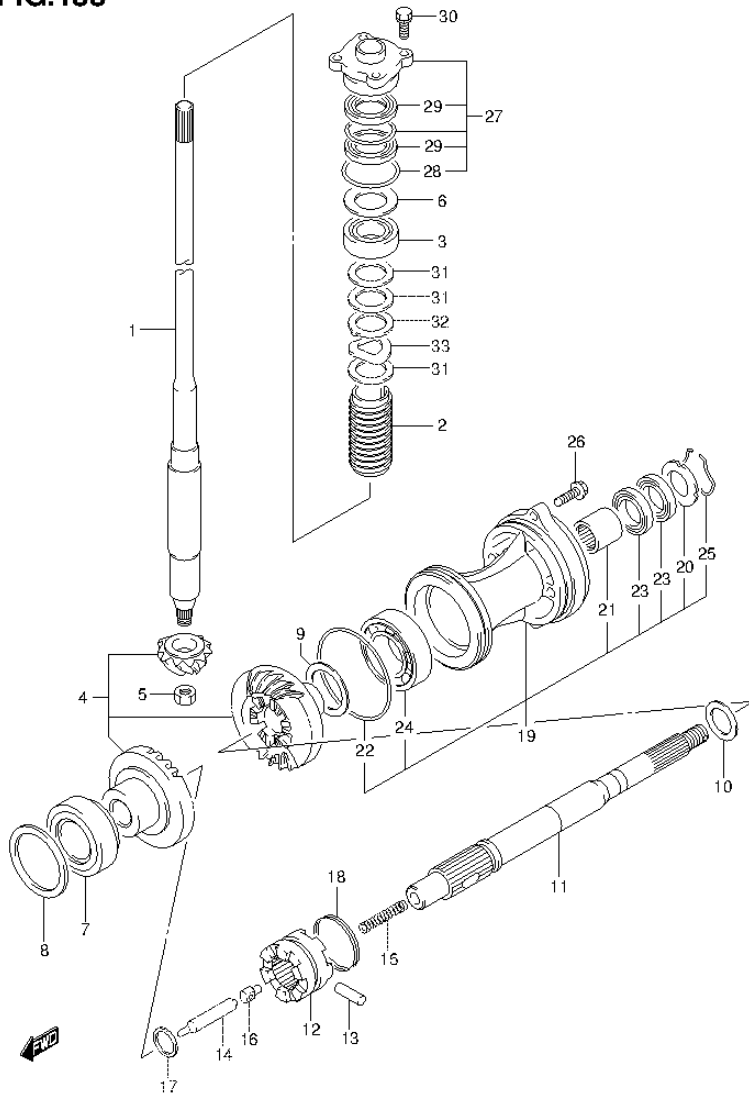


FIG.188 (2-F-15) TRANSMISSION (DF60AVTH E40)

REF NO.	PART NO.	DESCRIPTION	Q'TY	REMARKS
1-1	57110-88L30	SHAFT ASSY, DRIVE (L)	1	W/TRANSOM(L)
1-2	57110-88L40	SHAFT ASSY, DRIVE (X)	1	W/TRANSOM(X)
2	57133-90J02	COLLAR, DRIVE SHAFT	1	
3	09265-25046	BEARING (25X52X19.25)	1	
4	57300-99824	PINION/GEAR SET	1	
5	09140-14024	NUT	1	
6-1	09181-40186	SHIM (T:0.50)	1	
6-2	09181-41002	SHIM (T:0.55)	1	
6-3	09181-41003	SHIM (T:0.60)	1	
6-4	09181-41004	SHIM (T:0.65)	1	
6-5	09181-41005	SHIM (T:0.70)	1	
6-6	09181-41006	SHIM (T:0.75)	1	
6-7	09181-40190	SHIM (T:0.80)	1	
6-8	09181-41008	SHIM (T:0.85)	1	
6-9	09181-41009	SHIM (T:0.90)	1	
6-10	09181-41010	SHIM (T:0.95)	1	
6-11	09181-40195	SHIM (T:1.00)	1	
6-12	09181-41012	SHIM (T:1.05)	1	
6-13	09181-41013	SHIM (T:1.10)	1	
6-14	09181-41014	SHIM (T:1.15)	1	
7	09265-50003	BEARING (50X85X26)	1	PART OF GEAR CASE
8-1	09181-50020	SHIM (T:0.45)	1	
8-2	09181-50021	SHIM (T:0.50)	1	
8-3	09181-50022	SHIM (T:0.55)	1	
8-4	09181-50023	SHIM (T:0.60)	1	
8-5	09181-50024	SHIM (T:0.65)	1	
8-6	09181-50025	SHIM (T:0.70)	1	
8-7	09181-50026	SHIM (T:0.75)	1	
8-8	09181-50027	SHIM (T:0.80)	1	
8-9	09181-50028	SHIM (T:0.85)	1	
8-10	09181-50029	SHIM (T:0.95)	1	
9-1	09181-45003	SHIM (T:1.00)	1	
9-2	09181-45004	SHIM (T:1.10)	1	
9-3	09181-45005	SHIM (T:1.20)	1	

FIG.188

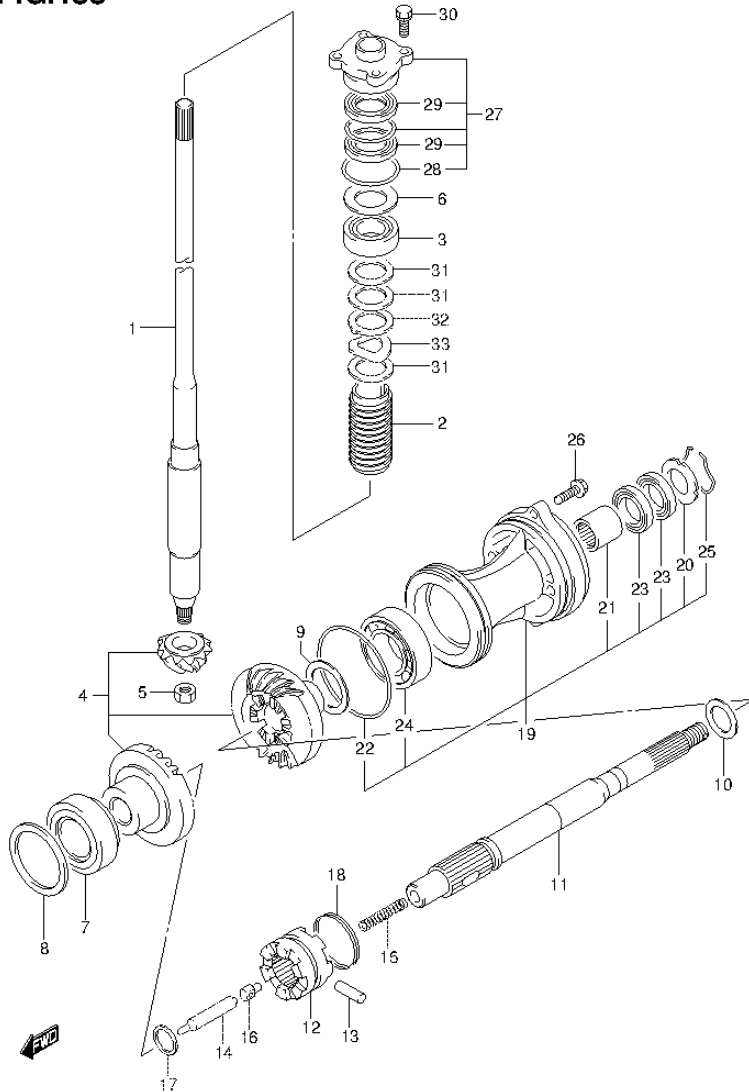


FIG.188 (2-G-2) TRANSMISSION (DF60AVTH E40)

REF NO.	PART NO.	DESCRIPTION	Q'TY	REMARKS
9-4	09181-45006	SHIM (T:1.30)	1	
9-5	09181-45007	SHIM (T:1.40)	1	
9-6	09181-45008	SHIM (T:1.50)	1	
9-7	09181-45009	SHIM (T:1.60)	1	
10-1	09181-28015	SHIM (T:0.90)	1	
10-2	09181-28016	SHIM (T:1.00)	1	
10-3	09181-28017	SHIM (T:1.20)	1	
10-4	09181-28018	SHIM (T:1.30)	1	
10-5	09181-28019	SHIM (T:1.40)	1	
10-6	09181-28020	SHIM (T:1.60)	1	
11	57610-88L10	SHAFT ASSY, PROPELLER	1	
12	57621-94514	SHIFTER, CLUTCH DOG	1	
13	09202-07002	PIN (7X48)	1	
14	57631-99E01	ROD, PUSH	1	
15	09440-11020	SPRING	1	
16	09209-12007	PIN	1	
17	09181-25030	SHIM (25X32X3)	1	
18	09440-49004	SPRING	1	
19	56120-90J02-0EP	HOUSING, PROP SFT BRG (BLACK)	1	
20	56123-90J00	.WASHER, OIL SEAL PROTECTOR	1	
21	09263-28047	.BEARING (28X37X30)	1	
22	09280-97001	.O RING (D:3.5,ID:95)	1	
23	09282-28002	.OIL SEAL (28X50X6)	2	
24	08113-62090	.BEARING	1	
25	09387-52001	.RING SET	1	
26	09116-08122	BOLT (8X30)	2	
27	56130-87E00	HOUSING	1	
28	09280-46004	.O RING (D:3.5,ID:45.7)	1	
29	09282-22007	.OIL SEAL (22X36X6)	2	
30	09117-08110	BOLT (8X25)	4	
31	09181-31001	WASHER (31X46X2)	3	
32	09169-31001	WASHER	1	
33	09164-31001	WASHER	1	

FIG.189

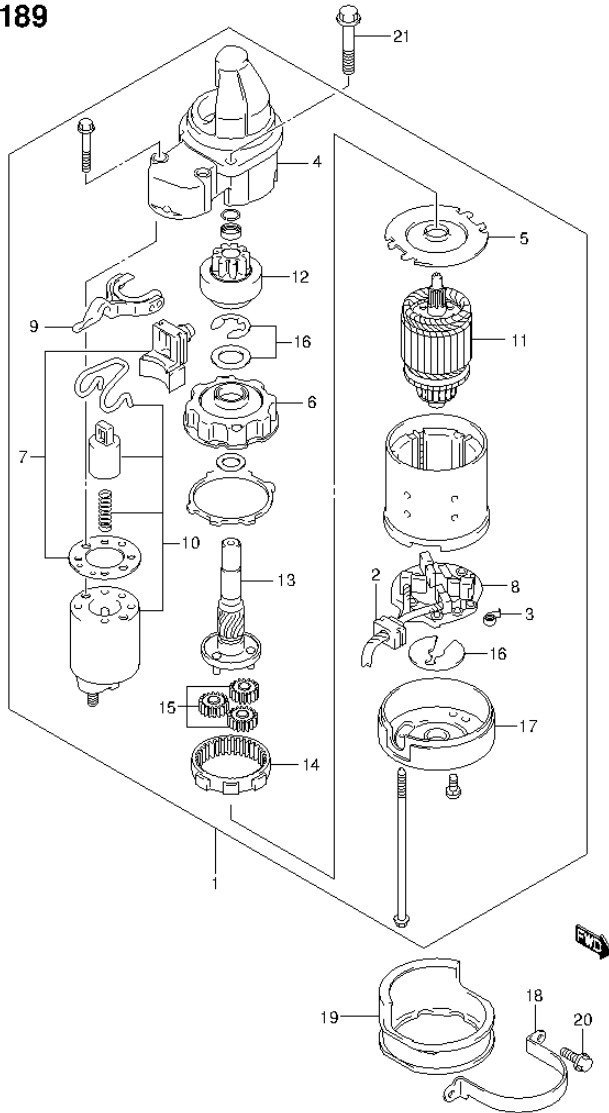


FIG.189 (2-G-3) STARTING MOTOR

REF NO.	PART NO.	DESCRIPTION	Q'TY	REMARKS
1	31100-94J21	STARTING MOTOR	1	
2	31131-94J00	.BRUSH SET, PLUS	1	
3	31135-90J00	.SPRING	4	
4	31151-94J00	.CASE, GEAR	1	
5	31152-90J00	.PLATE, CENTER	1	
6	31153-90J00	.BRACKET, PLANET GEAR	1	
7	31171-96J00	.COVER KIT, DUST	1	
8	31173-94J00	.HOLDER ASSY, BRUSH	1	
9	31191-96J00	.LEVER, SHIFT	1	
10	31220-94J00	.SWITCH, MAGNET	1	
11	31310-90J00	.ARMATURE	1	
12	31320-94J00	.PINION	1	
13	31341-94J00	.SHAFT, PINION	1	
14	31343-90J00	.INTERNAL GEAR	1	
15	31344-90J00	.GEAR, PLANETARY	3	
16	31360-93J01	.WASHER SET	1	
17	31170-94J00	.COVER ASSY, STARTER MOTER REAR	1	
18	31912-88L00	BAND, STARTER MOTOR	1	
19	31918-87L00	DAMPER, LOWER	1	
20	01550-06167	BOLT	2	LOWER
21	01550-08307	BOLT	2	UPPER

FIG.190

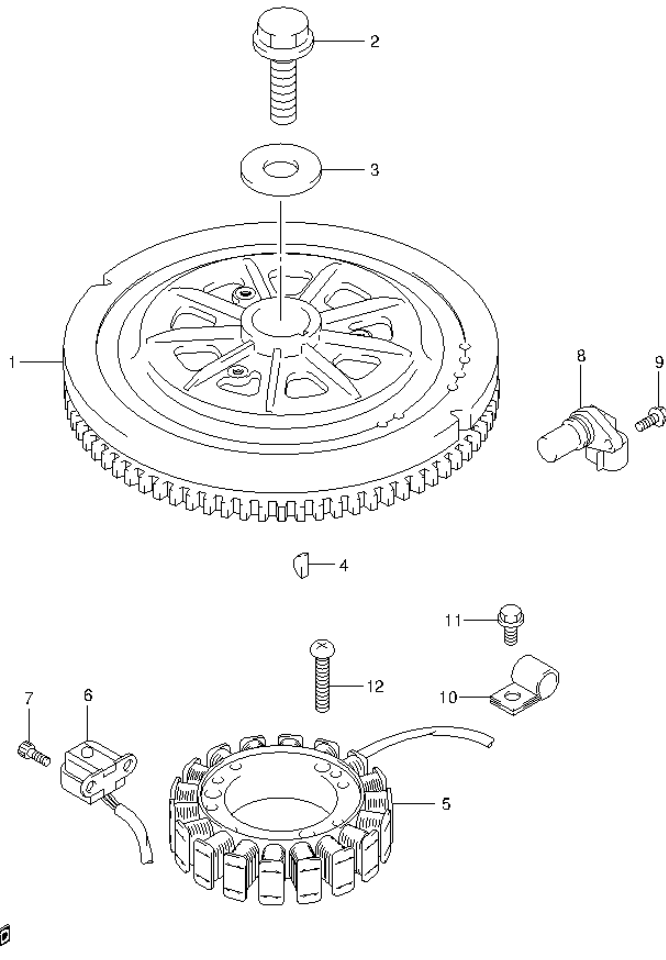


FIG.190 (2-G-4) MAGNETO

REF NO.	PART NO.	DESCRIPTION	Q'TY	REMARKS
1	32102-88L00	FLYWHEEL	1	
2	09103-14024	BOLT (14X50)	1	
3	09160-14065	WASHER (14.5X36X4.5)	1	
4	09420-04008	KEY	1	
5	32120-88L00	COIL, BATTERY CHARGING	1	
6	32160-88L00	COIL, IGNITION TIMING	1	
7	09106-05030	BOLT (5X10)	2	
8	33220-50M10	SENSOR ASSY, CAM POSITION	1	
9	01547-06167	BOLT	1	
10	09403-13408	CLAMP	1	
11	01550-06127	BOLT	1	
12	02112-06307	SCREW	3	

FIG.191

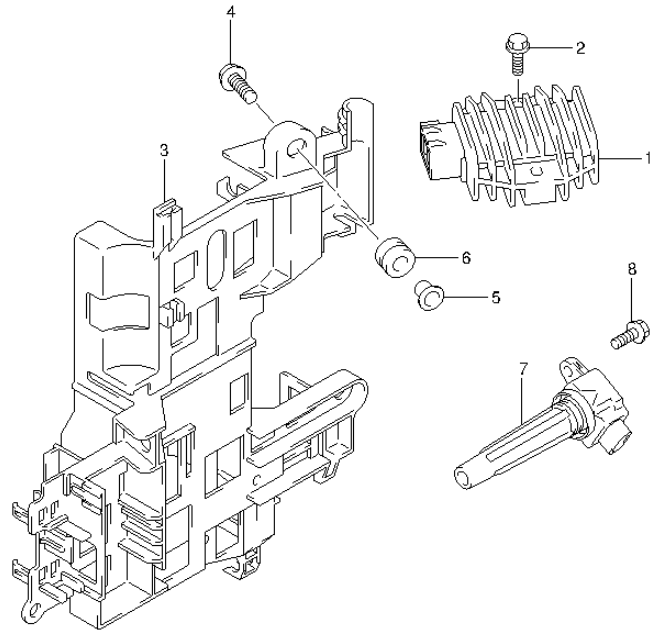


FIG.191 (2-G-5) RECTIFIER/IGNITION COIL

REF NO.	PART NO.	DESCRIPTION	Q'TY	REMARKS
1	32800-88L00	RECTIFIER/REGULATOR ASSY	1	
2	01550-06257	BOLT	2	
3	32890-88L00	HOLDER, ELECTRIC PARTS	1	
4	09116-06202	BOLT (6X25)	3	
5	09169-06062	WASHER	3	
6	09320-09016	CUSHION	3	
7	33410-87L00	COIL ASSY, IGNITION	3	
8	01547-06207	BOLT	3	

FIG.192

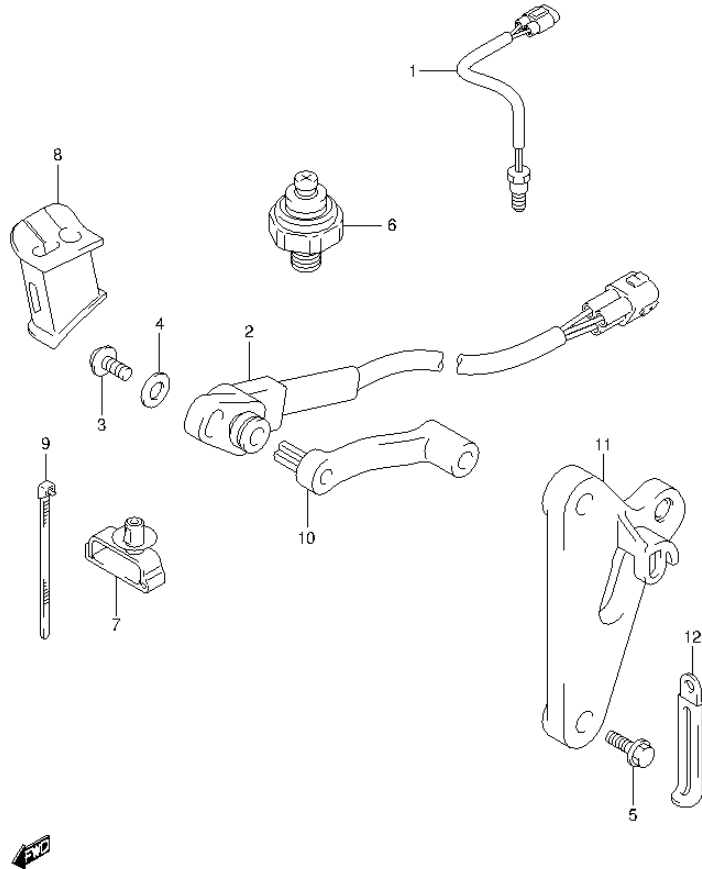


FIG.192 (2-G-6) SENSOR (DF40A E01)

REF NO.	PART NO.	DESCRIPTION	Q'TY	REMARKS
1	34830-87J20	SENSOR ASSY, CYLINDER TEMP	1	
2	34840-98J03	SENSOR ASSY, TRIM	1	
3	09125-05048	SCREW (5X16)	1	
4	09160-05029	WASHER (5.5X12X0.8)	1	
5	09103-06093	BOLT (6X20)	2	
6	37820-99E01	SWITCH, OIL PRESSURE	1	
7	09403-07340	CLAMP	1	
8	36656-88L00	GROMMET, PTT CABLE	1	
9	09407-14407	CLAMP (L:145)	3	
10	34841-88L00	LEVER, TRIM SENSOR	1	
11	34845-88L00	BRACKET, TRIM SENSOR	1	
12	29404-93J10	CLAMP, PTT CABLE	1	

FIG.193

FIG.193 (2-G-7) SENSOR (DF40AQH E01)

REF NO.	PART NO.	DESCRIPTION	Q'TY	REMARKS
1	34830-87J20	SENSOR ASSY, CYLINDER TEMP	1	
2	37820-99E01	SWITCH, OIL PRESSURE	1	
3	36656-88L10	GROMMET, PTT CABLE	1	

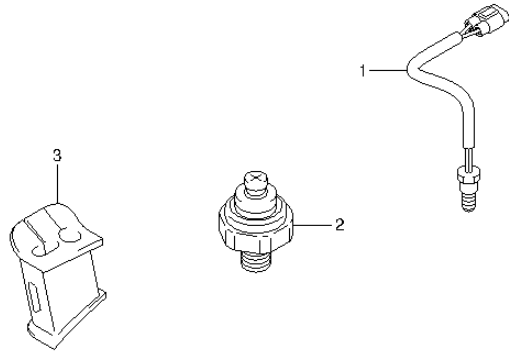


FIG.194

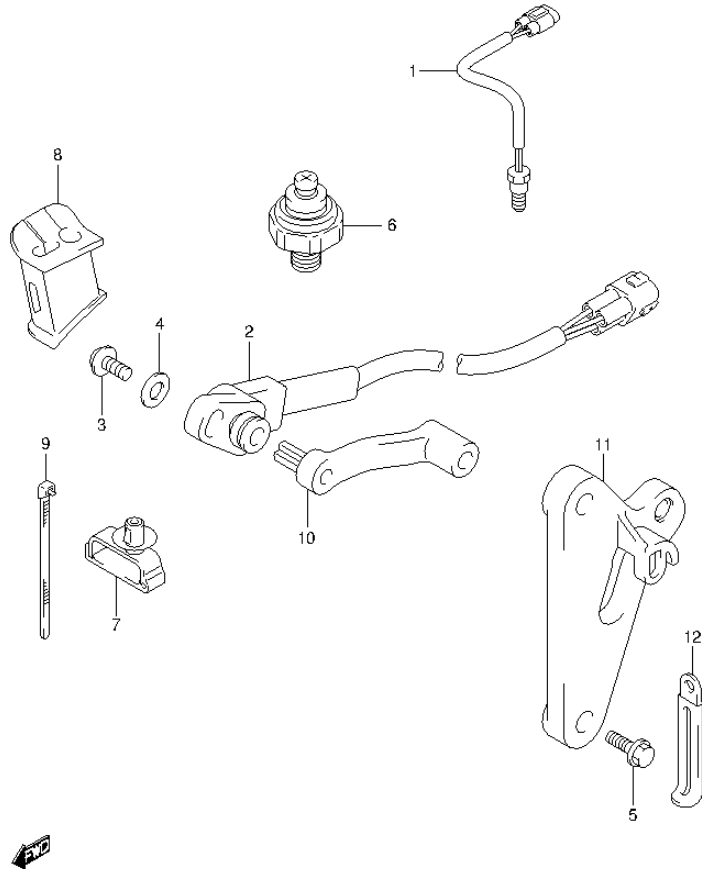


FIG.194 (2-G-8) SENSOR (DF40ATH E01)

REF NO.	PART NO.	DESCRIPTION	Q'TY	REMARKS
1	34830-87J20	SENSOR ASSY, CYLINDER TEMP	1	
2	34840-98J03	SENSOR ASSY, TRIM	1	
3	09125-05048	SCREW (5X16)	1	
4	09160-05029	WASHER (5.5X12X0.8)	1	
5	09103-06093	BOLT (6X20)	2	
6	37820-99E01	SWITCH, OIL PRESSURE	1	
7	09403-07340	CLAMP	1	
8	36656-88L00	GROMMET, PTT CABLE	1	
9	09407-14407	CLAMP (L:145)	3	
10	34841-88L00	LEVER, TRIM SENSOR	1	
11	34845-88L00	BRACKET, TRIM SENSOR	1	
12	29404-93J10	CLAMP, PTT CABLE	1	

FIG.195

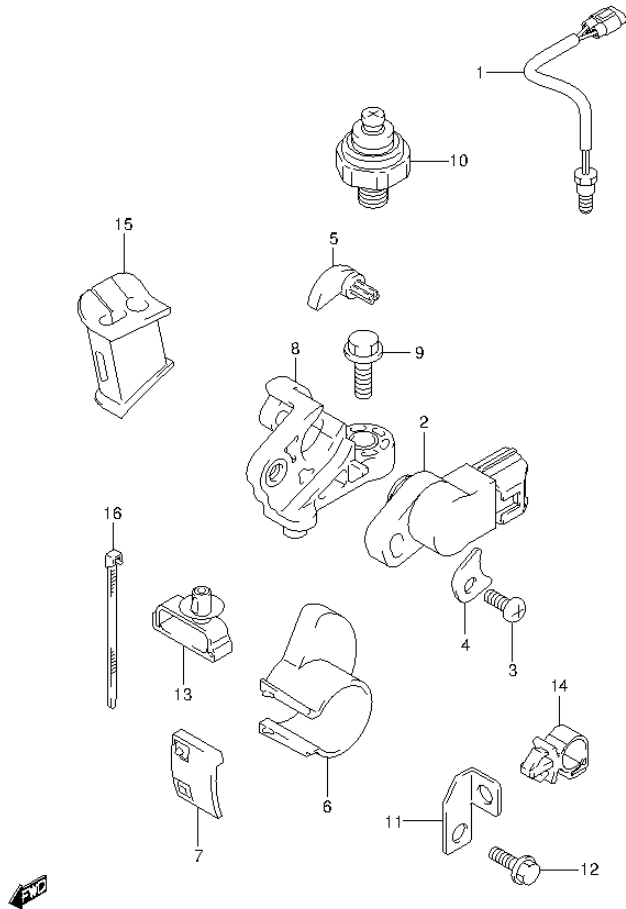


FIG.195 (2-G-9) SENSOR (DF40AST E34)

REF NO.	PART NO.	DESCRIPTION	Q'TY	REMARKS
1	34830-87J20	SENSOR ASSY, CYLINDER TEMP	1	
2	34840-98J11	SENSOR ASSY, TRIM	1	
3	09125-05046	SCREW (5X12)	1	
4	34846-87L00	WASHER, TRIM SENSOR	1	
5	34841-87L10	LEVER, TRIM SENSOR	1	
6	34842-88L10	CAM, TRIM SENSOR UPPER	1	
7	34843-87L00	CAM, TRIM SENSOR LOWER	1	
8	34845-88L10	BRACKET, TRIM SENSOR	1	
9	09103-06093	BOLT (6X20)	1	
10	37820-99E01	SWITCH, OIL PRESSURE	1	
11	36617-88L00	BRACKET, PTT CABLE CLAMP	1	
12	29103-93J00	BOLT, PTT CABLE CLAMP BRACKET	1	
13	09403-07340	CLAMP	1	
14	09403-11321	CLAMP	1	
15	36656-88L00	GROMMET, PTT CABLE	1	
16	09407-14407	CLAMP (L:145)	2	

FIG.196

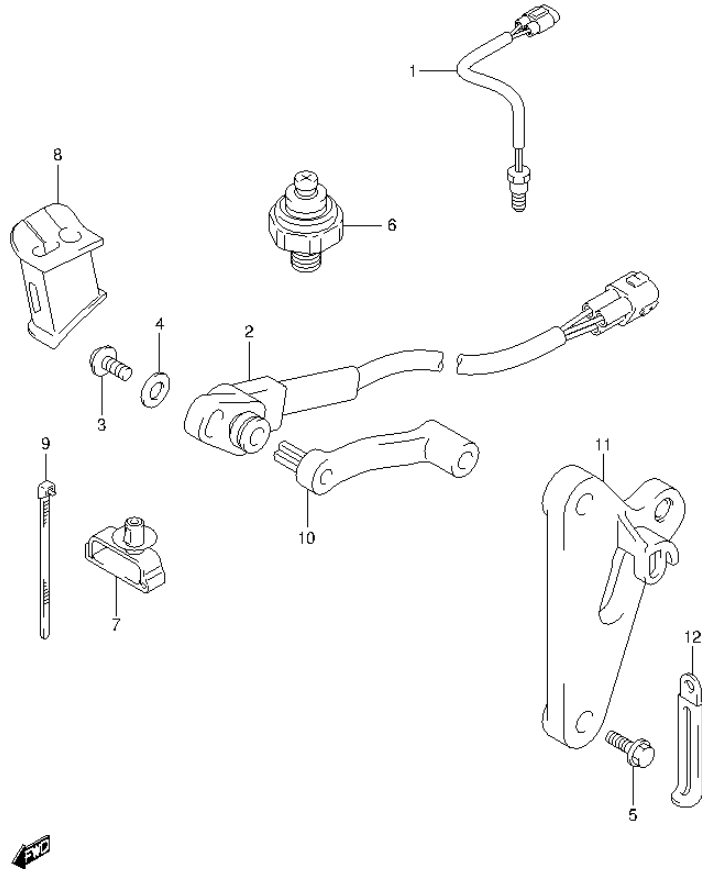


FIG.196 (2-G-10) SENSOR (DF50A E01)

REF NO.	PART NO.	DESCRIPTION	Q'TY	REMARKS
1	34830-87J20	SENSOR ASSY, CYLINDER TEMP	1	
2	34840-98J03	SENSOR ASSY, TRIM	1	
3	09125-05048	SCREW (5X16)	1	
4	09160-05029	WASHER (5.5X12X0.8)	1	
5	09103-06093	BOLT (6X20)	2	
6	37820-99E01	SWITCH, OIL PRESSURE	1	
7	09403-07340	CLAMP	1	
8	36656-88L00	GROMMET, PTT CABLE	1	
9	09407-14407	CLAMP (L:145)	3	
10	34841-88L00	LEVER, TRIM SENSOR	1	
11	34845-88L00	BRACKET, TRIM SENSOR	1	
12	29404-93J10	CLAMP, PTT CABLE	1	

FIG.197

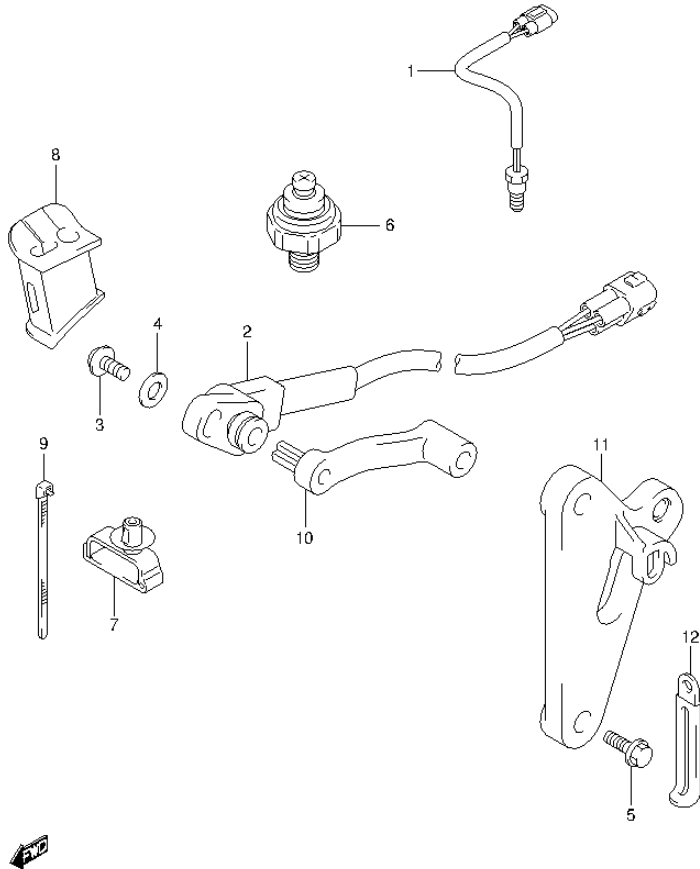


FIG.197 (2-G-11) SENSOR (DF50ATH E01)

REF NO.	PART NO.	DESCRIPTION	Q'TY	REMARKS
1	34830-87J20	SENSOR ASSY, CYLINDER TEMP	1	
2	34840-98J03	SENSOR ASSY, TRIM	1	
3	09125-05048	SCREW (5X16)	1	
4	09160-05029	WASHER (5.5X12X0.8)	1	
5	09103-06093	BOLT (6X20)	2	
6	37820-99E01	SWITCH, OIL PRESSURE	1	
7	09403-07340	CLAMP	1	
8	36656-88L00	GROMMET, PTT CABLE	1	
9	09407-14407	CLAMP (L:145)	3	
10	34841-88L00	LEVER, TRIM SENSOR	1	
11	34845-88L00	BRACKET, TRIM SENSOR	1	
12	29404-93J10	CLAMP, PTT CABLE	1	

FIG.198

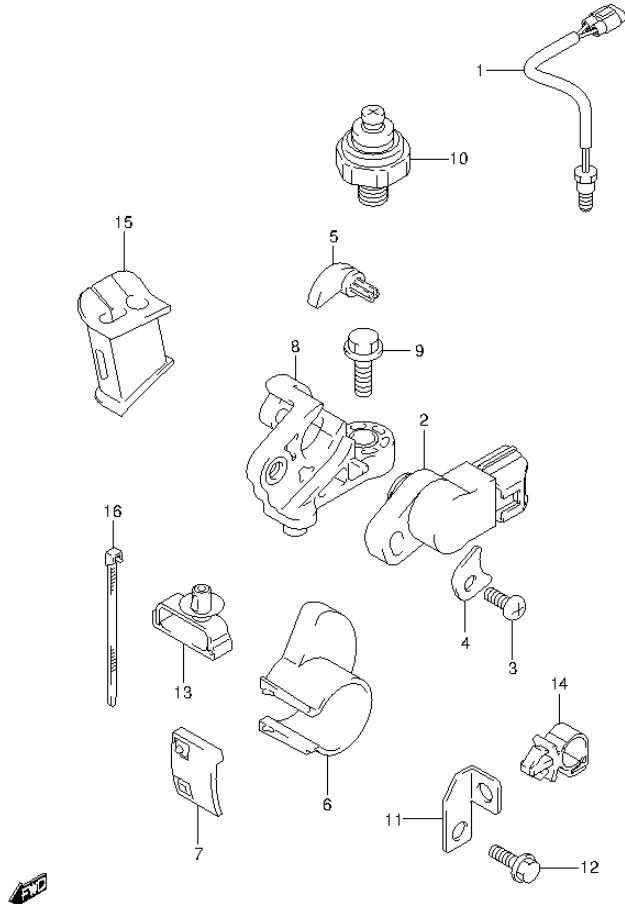


FIG.198 (2-G-12) SENSOR (DF60A E01)

REF NO.	PART NO.	DESCRIPTION	Q'TY	REMARKS
1	34830-87J20	SENSOR ASSY, CYLINDER TEMP	1	
2	34840-98J11	SENSOR ASSY, TRIM	1	
3	09125-05046	SCREW (5X12)	1	
4	34846-87L00	WASHER, TRIM SENSOR	1	
5	34841-87L10	LEVER, TRIM SENSOR	1	
6	34842-88L10	CAM, TRIM SENSOR UPPER	1	
7	34843-87L00	CAM, TRIM SENSOR LOWER	1	
8	34845-88L10	BRACKET, TRIM SENSOR	1	
9	09103-06093	BOLT (6X20)	1	
10	37820-99E01	SWITCH, OIL PRESSURE	1	
11	36617-88L00	BRACKET, PTT CABLE CLAMP	1	
12	29103-93J00	BOLT, PTT CABLE CLAMP BRACKET	1	
13	09403-07340	CLAMP	1	
14	09403-11321	CLAMP	1	
15	36656-88L00	GROMMET, PTT CABLE	1	
16	09407-14407	CLAMP (L:145)	2	

FIG.199

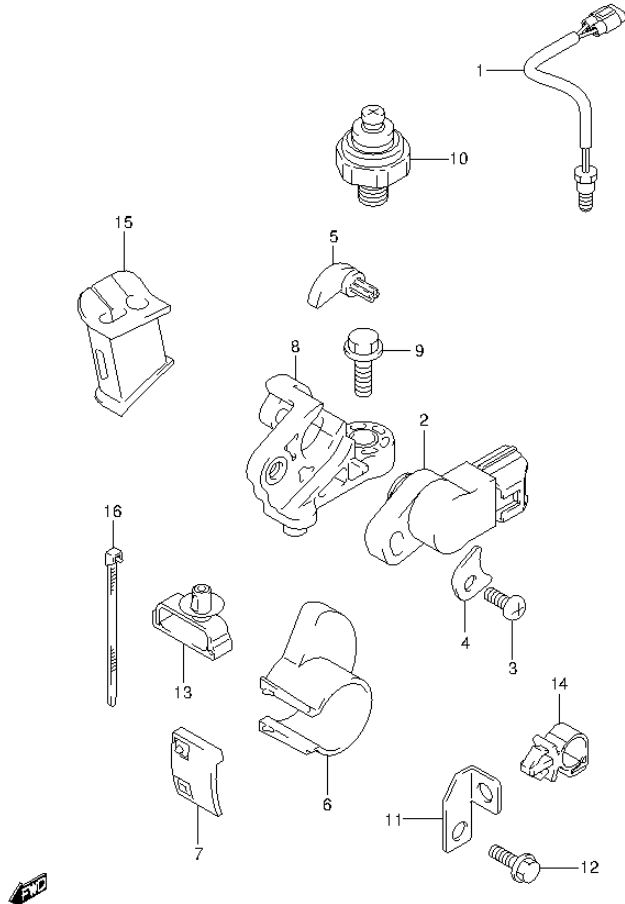


FIG.199 (2-G-13) SENSOR (DF60A E40)

REF NO.	PART NO.	DESCRIPTION	Q'TY	REMARKS
1	34830-87J20	SENSOR ASSY, CYLINDER TEMP	1	
2	34840-98J11	SENSOR ASSY, TRIM	1	
3	09125-05046	SCREW (5X12)	1	
4	34846-87L00	WASHER, TRIM SENSOR	1	
5	34841-87L10	LEVER, TRIM SENSOR	1	
6	34842-88L10	CAM, TRIM SENSOR UPPER	1	
7	34843-87L00	CAM, TRIM SENSOR LOWER	1	
8	34845-88L10	BRACKET, TRIM SENSOR	1	
9	09103-06093	BOLT (6X20)	1	
10	37820-99E01	SWITCH, OIL PRESSURE	1	
11	36617-88L00	BRACKET, PTT CABLE CLAMP	1	
12	29103-93J00	BOLT, PTT CABLE CLAMP BRACKET	1	
13	09403-07340	CLAMP	1	
14	09403-11321	CLAMP	1	
15	36656-88L00	GROMMET, PTT CABLE	1	
16	09407-14407	CLAMP (L:145)	2	

FIG.200

FIG.200 (2-G-14) SENSOR (DF60AQH E01)

REF NO.	PART NO.	DESCRIPTION	Q'TY	REMARKS
1	34830-87J20	SENSOR ASSY, CYLINDER TEMP	1	
2	37820-99E01	SWITCH, OIL PRESSURE	1	
3	36656-88L10	GROMMET, PTT CABLE	1	

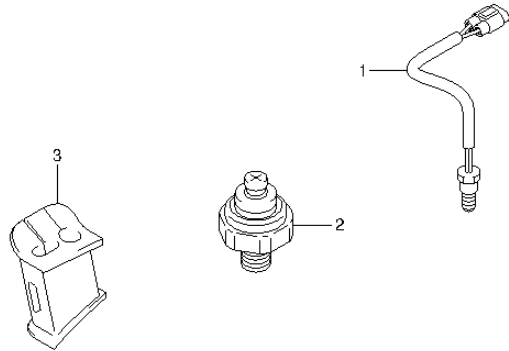


FIG.201

FIG.201 (2-G-15) SENSOR (DF60AQH E40)

REF NO.	PART NO.	DESCRIPTION	Q'TY	REMARKS
1	34830-87J20	SENSOR ASSY, CYLINDER TEMP	1	
2	37820-99E01	SWITCH, OIL PRESSURE	1	
3	36656-88L10	GROMMET, PTT CABLE	1	

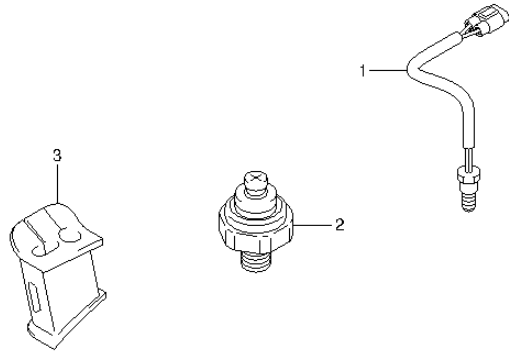


FIG.202

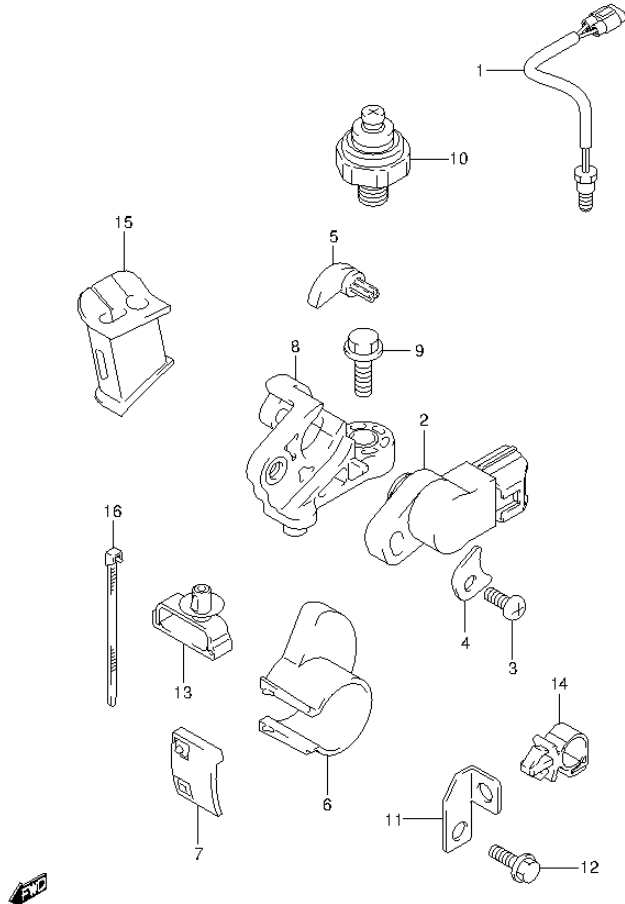


FIG.202 (2-H-2) SENSOR (DF60ATH E01)

REF NO.	PART NO.	DESCRIPTION	Q'TY	REMARKS
1	34830-87J20	SENSOR ASSY, CYLINDER TEMP	1	
2	34840-98J11	SENSOR ASSY, TRIM	1	
3	09125-05046	SCREW (5X12)	1	
4	34846-87L00	WASHER, TRIM SENSOR	1	
5	34841-87L10	LEVER, TRIM SENSOR	1	
6	34842-88L10	CAM, TRIM SENSOR UPPER	1	
7	34843-87L00	CAM, TRIM SENSOR LOWER	1	
8	34845-88L10	BRACKET, TRIM SENSOR	1	
9	09103-06093	BOLT (6X20)	1	
10	37820-99E01	SWITCH, OIL PRESSURE	1	
11	36617-88L00	BRACKET, PTT CABLE CLAMP	1	
12	29103-93J00	BOLT, PTT CABLE CLAMP BRACKET	1	
13	09403-07340	CLAMP	1	
14	09403-11321	CLAMP	1	
15	36656-88L00	GROMMET, PTT CABLE	1	
16	09407-14407	CLAMP (L:145)	2	

FIG.203

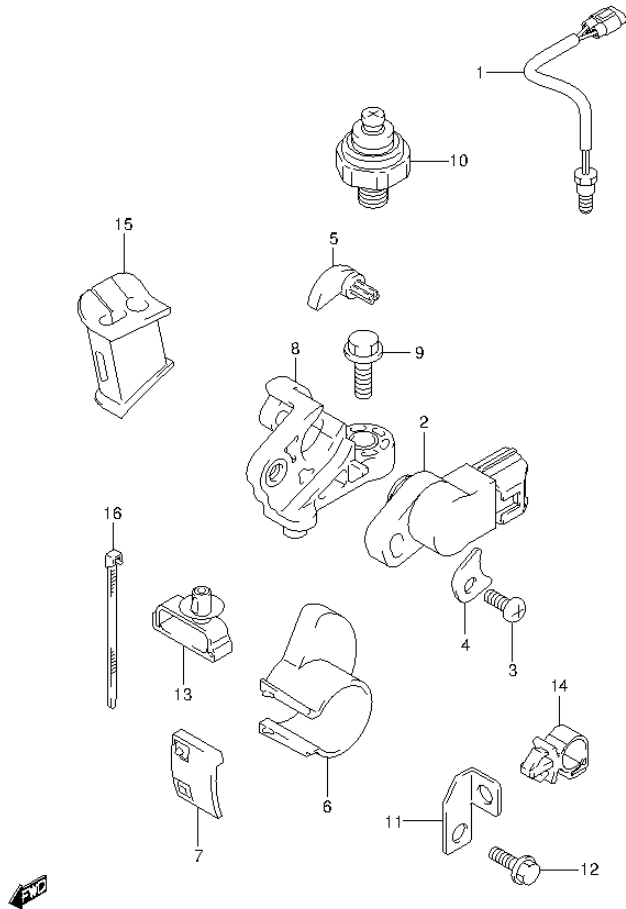


FIG.203 (2-H-3) SENSOR (DF60ATH E40)

REF NO.	PART NO.	DESCRIPTION	Q'TY	REMARKS
1	34830-87J20	SENSOR ASSY, CYLINDER TEMP	1	
2	34840-98J11	SENSOR ASSY, TRIM	1	
3	09125-05046	SCREW (5X12)	1	
4	34846-87L00	WASHER, TRIM SENSOR	1	
5	34841-87L10	LEVER, TRIM SENSOR	1	
6	34842-88L10	CAM, TRIM SENSOR UPPER	1	
7	34843-87L00	CAM, TRIM SENSOR LOWER	1	
8	34845-88L10	BRACKET, TRIM SENSOR	1	
9	09103-06093	BOLT (6X20)	1	
10	37820-99E01	SWITCH, OIL PRESSURE	1	
11	36617-88L00	BRACKET, PTT CABLE CLAMP	1	
12	29103-93J00	BOLT, PTT CABLE CLAMP BRACKET	1	
13	09403-07340	CLAMP	1	
14	09403-11321	CLAMP	1	
15	36656-88L00	GROMMET, PTT CABLE	1	
16	09407-14407	CLAMP (L:145)	2	

FIG.204

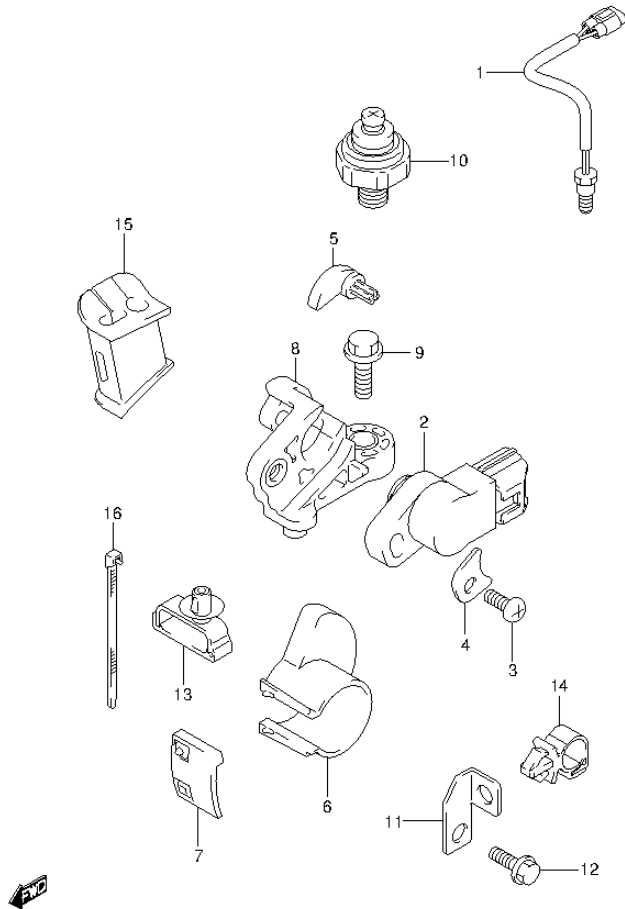


FIG.204 (2-H-4) SENSOR (DF50AVT E01)

REF NO.	PART NO.	DESCRIPTION	Q'TY	REMARKS
1	34830-87J20	SENSOR ASSY, CYLINDER TEMP	1	
2	34840-98J11	SENSOR ASSY, TRIM	1	
3	09125-05046	SCREW (5X12)	1	
4	34846-87L00	WASHER, TRIM SENSOR	1	
5	34841-87L10	LEVER, TRIM SENSOR	1	
6	34842-88L10	CAM, TRIM SENSOR UPPER	1	
7	34843-87L00	CAM, TRIM SENSOR LOWER	1	
8	34845-88L10	BRACKET, TRIM SENSOR	1	
9	09103-06093	BOLT (6X20)	1	
10	37820-99E01	SWITCH, OIL PRESSURE	1	
11	36617-88L00	BRACKET, PTT CABLE CLAMP	1	
12	29103-93J00	BOLT, PTT CABLE CLAMP BRACKET	1	
13	09403-07340	CLAMP	1	
14	09403-11321	CLAMP	1	
15	36656-88L00	GROMMET, PTT CABLE	1	
16	09407-14407	CLAMP (L:145)	2	

FIG.205

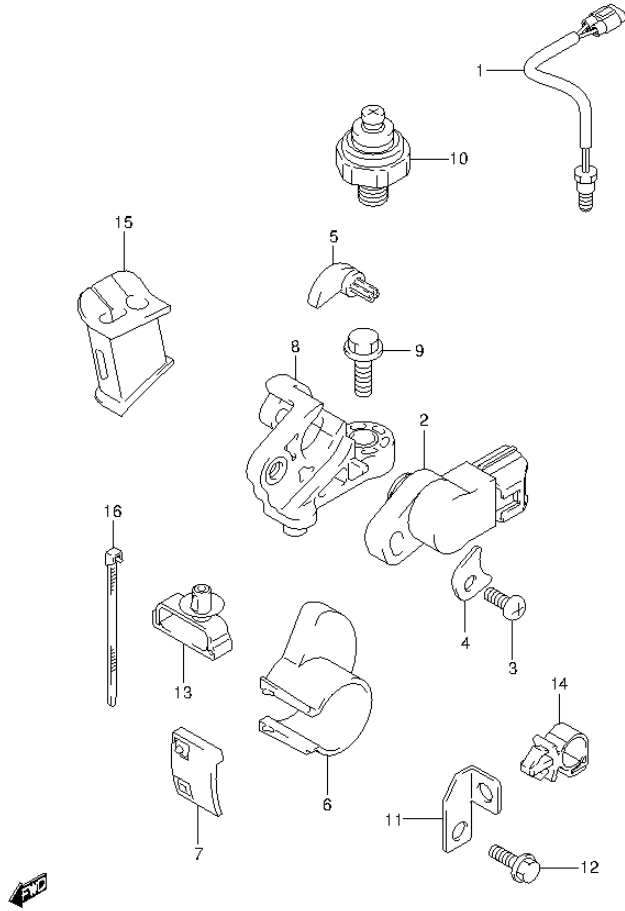


FIG.205 (2-H-5) SENSOR (DF50AVTH E01)

REF NO.	PART NO.	DESCRIPTION	Q'TY	REMARKS
1	34830-87J20	SENSOR ASSY, CYLINDER TEMP	1	
2	34840-98J11	SENSOR ASSY, TRIM	1	
3	09125-05046	SCREW (5X12)	1	
4	34846-87L00	WASHER, TRIM SENSOR	1	
5	34841-87L10	LEVER, TRIM SENSOR	1	
6	34842-88L10	CAM, TRIM SENSOR UPPER	1	
7	34843-87L00	CAM, TRIM SENSOR LOWER	1	
8	34845-88L10	BRACKET, TRIM SENSOR	1	
9	09103-06093	BOLT (6X20)	1	
10	37820-99E01	SWITCH, OIL PRESSURE	1	
11	36617-88L00	BRACKET, PTT CABLE CLAMP	1	
12	29103-93J00	BOLT, PTT CABLE CLAMP BRACKET	1	
13	09403-07340	CLAMP	1	
14	09403-11321	CLAMP	1	
15	36656-88L00	GROMMET, PTT CABLE	1	
16	09407-14407	CLAMP (L:145)	2	

FIG.206

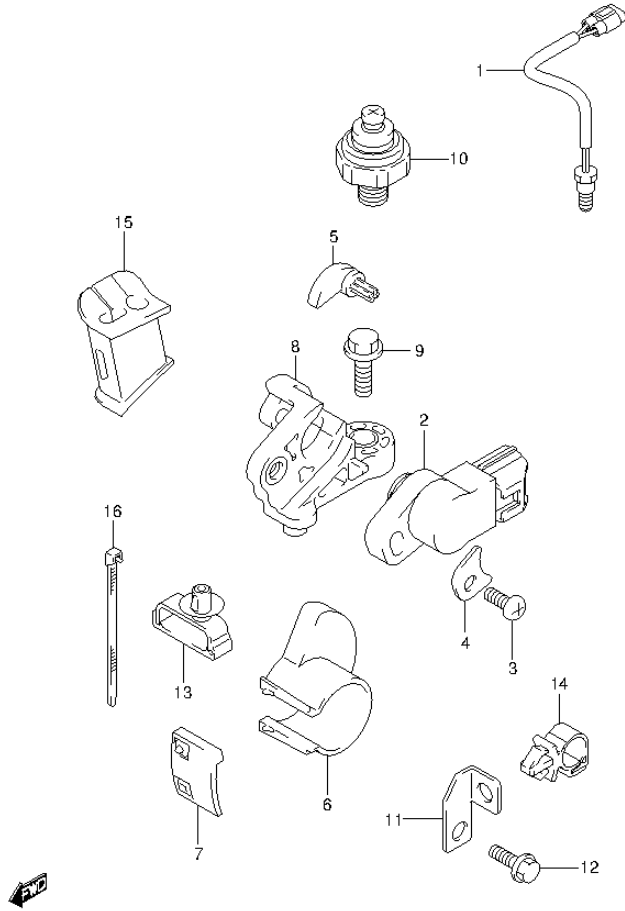


FIG.206 (2-H-6) SENSOR (DF60AVT E01)

REF NO.	PART NO.	DESCRIPTION	Q'TY	REMARKS
1	34830-87J20	SENSOR ASSY, CYLINDER TEMP	1	
2	34840-98J11	SENSOR ASSY, TRIM	1	
3	09125-05046	SCREW (5X12)	1	
4	34846-87L00	WASHER, TRIM SENSOR	1	
5	34841-87L10	LEVER, TRIM SENSOR	1	
6	34842-88L10	CAM, TRIM SENSOR UPPER	1	
7	34843-87L00	CAM, TRIM SENSOR LOWER	1	
8	34845-88L10	BRACKET, TRIM SENSOR	1	
9	09103-06093	BOLT (6X20)	1	
10	37820-99E01	SWITCH, OIL PRESSURE	1	
11	36617-88L00	BRACKET, PTT CABLE CLAMP	1	
12	29103-93J00	BOLT, PTT CABLE CLAMP BRACKET	1	
13	09403-07340	CLAMP	1	
14	09403-11321	CLAMP	1	
15	36656-88L00	GROMMET, PTT CABLE	1	
16	09407-14407	CLAMP (L:145)	2	

FIG.207

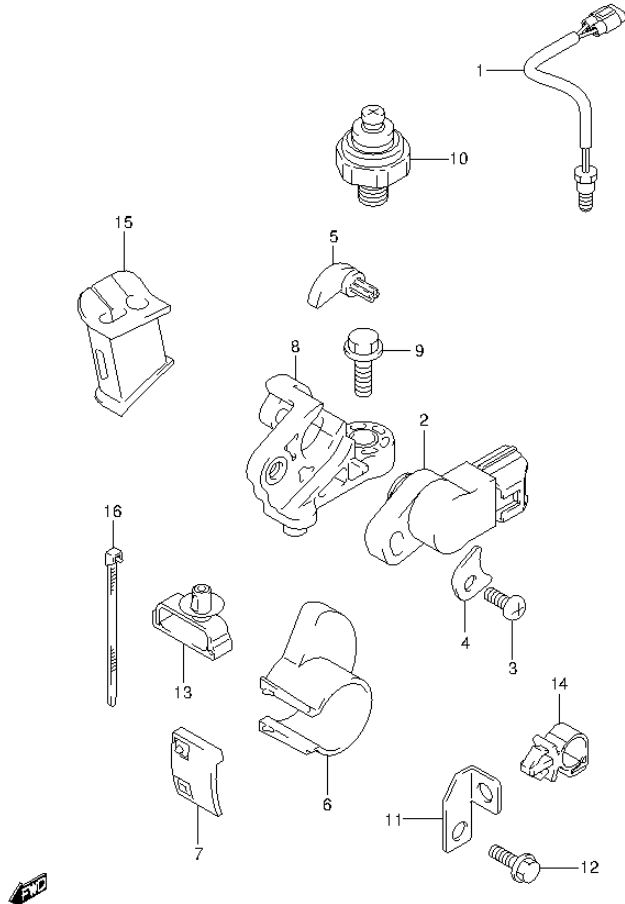


FIG.207 (2-H-7) SENSOR (DF60AVT E40)

REF NO.	PART NO.	DESCRIPTION	Q'TY	REMARKS
1	34830-87J20	SENSOR ASSY, CYLINDER TEMP	1	
2	34840-98J11	SENSOR ASSY, TRIM	1	
3	09125-05046	SCREW (5X12)	1	
4	34846-87L00	WASHER, TRIM SENSOR	1	
5	34841-87L10	LEVER, TRIM SENSOR	1	
6	34842-88L10	CAM, TRIM SENSOR UPPER	1	
7	34843-87L00	CAM, TRIM SENSOR LOWER	1	
8	34845-88L10	BRACKET, TRIM SENSOR	1	
9	09103-06093	BOLT (6X20)	1	
10	37820-99E01	SWITCH, OIL PRESSURE	1	
11	36617-88L00	BRACKET, PTT CABLE CLAMP	1	
12	29103-93J00	BOLT, PTT CABLE CLAMP BRACKET	1	
13	09403-07340	CLAMP	1	
14	09403-11321	CLAMP	1	
15	36656-88L00	GROMMET, PTT CABLE	1	
16	09407-14407	CLAMP (L:145)	2	

FIG.208

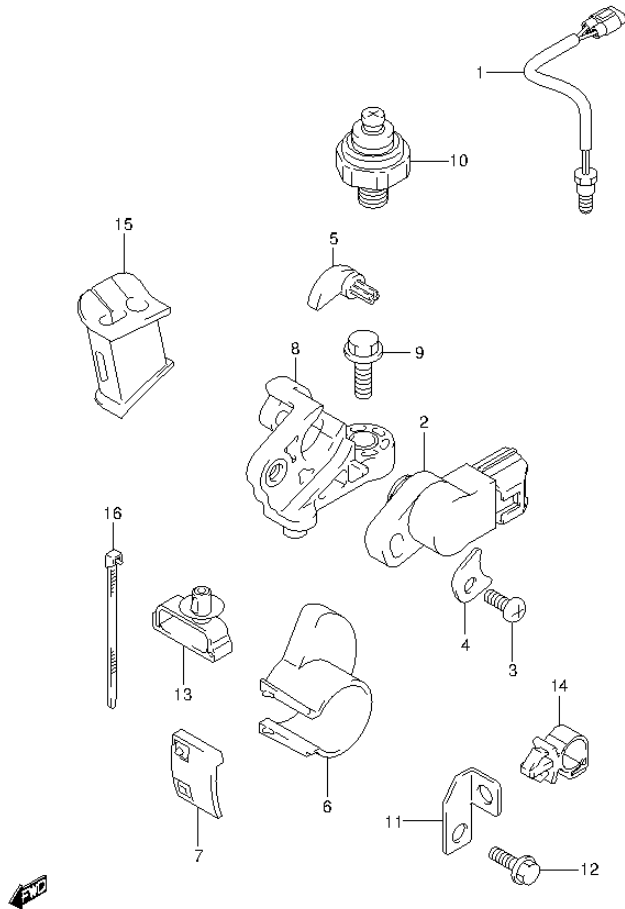


FIG.208 (2-H-8) SENSOR (DF60AVTH E01)

REF NO.	PART NO.	DESCRIPTION	Q'TY	REMARKS
1	34830-87J20	SENSOR ASSY, CYLINDER TEMP	1	
2	34840-98J11	SENSOR ASSY, TRIM	1	
3	09125-05046	SCREW (5X12)	1	
4	34846-87L00	WASHER, TRIM SENSOR	1	
5	34841-87L10	LEVER, TRIM SENSOR	1	
6	34842-88L10	CAM, TRIM SENSOR UPPER	1	
7	34843-87L00	CAM, TRIM SENSOR LOWER	1	
8	34845-88L10	BRACKET, TRIM SENSOR	1	
9	09103-06093	BOLT (6X20)	1	
10	37820-99E01	SWITCH, OIL PRESSURE	1	
11	36617-88L00	BRACKET, PTT CABLE CLAMP	1	
12	29103-93J00	BOLT, PTT CABLE CLAMP BRACKET	1	
13	09403-07340	CLAMP	1	
14	09403-11321	CLAMP	1	
15	36656-88L00	GROMMET, PTT CABLE	1	
16	09407-14407	CLAMP (L:145)	2	

FIG.209

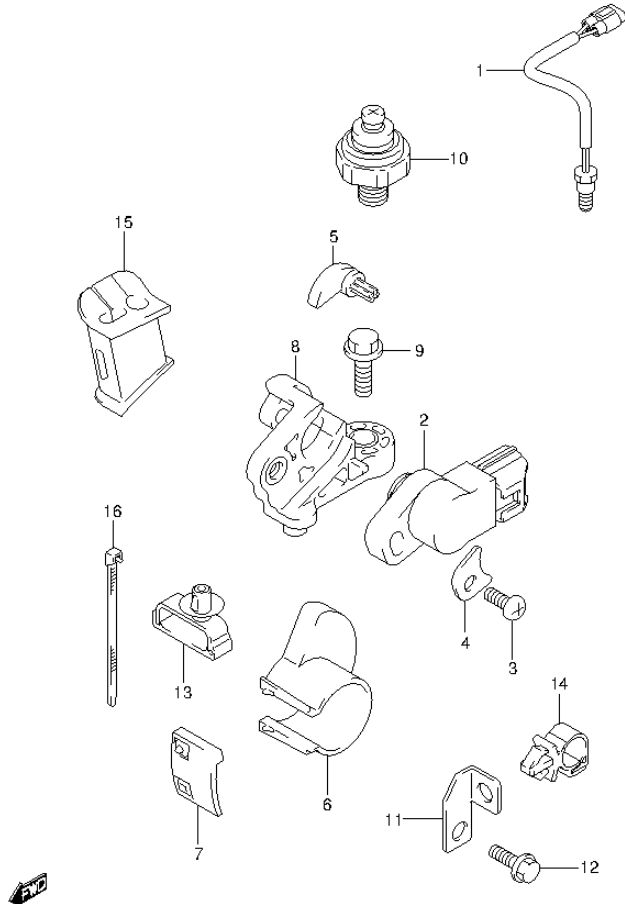


FIG.209 (2-H-9) SENSOR (DF60AVTH E40)

REF NO.	PART NO.	DESCRIPTION	Q'TY	REMARKS
1	34830-87J20	SENSOR ASSY, CYLINDER TEMP	1	
2	34840-98J11	SENSOR ASSY, TRIM	1	
3	09125-05046	SCREW (5X12)	1	
4	34846-87L00	WASHER, TRIM SENSOR	1	
5	34841-87L10	LEVER, TRIM SENSOR	1	
6	34842-88L10	CAM, TRIM SENSOR UPPER	1	
7	34843-87L00	CAM, TRIM SENSOR LOWER	1	
8	34845-88L10	BRACKET, TRIM SENSOR	1	
9	09103-06093	BOLT (6X20)	1	
10	37820-99E01	SWITCH, OIL PRESSURE	1	
11	36617-88L00	BRACKET, PTT CABLE CLAMP	1	
12	29103-93J00	BOLT, PTT CABLE CLAMP BRACKET	1	
13	09403-07340	CLAMP	1	
14	09403-11321	CLAMP	1	
15	36656-88L00	GROMMET, PTT CABLE	1	
16	09407-14407	CLAMP (L:145)	2	

FIG.210

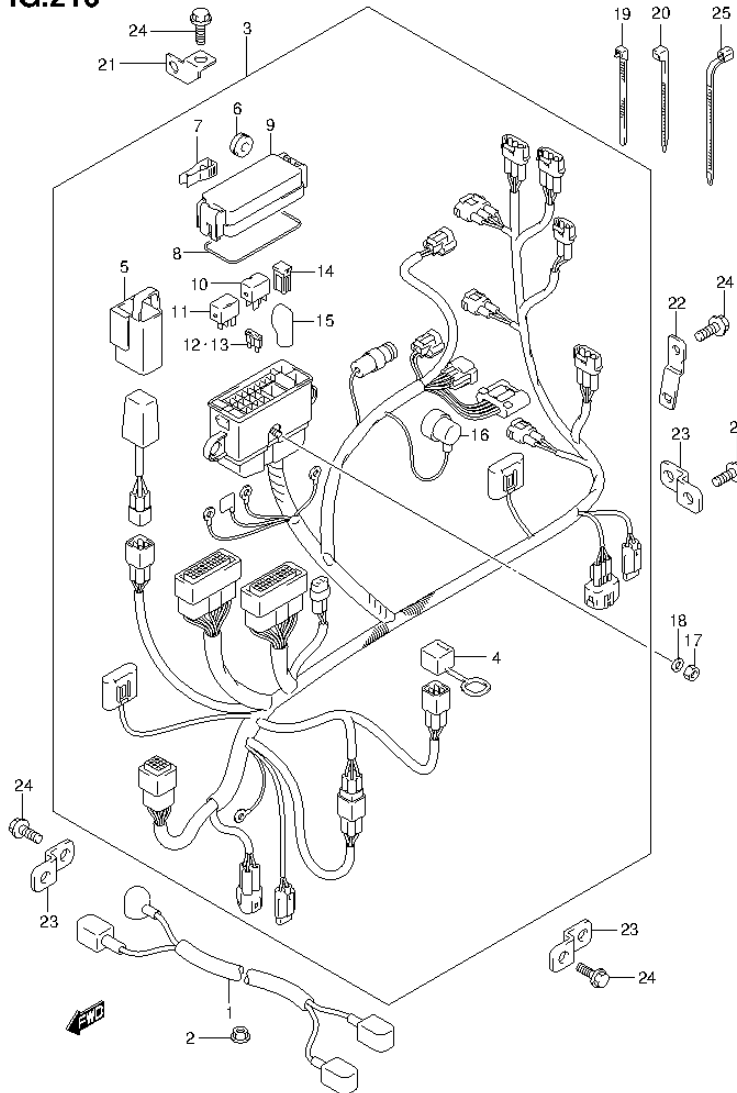


FIG.210 (2-H-10) HARNESS (DF40A E01)

REF NO.	PART NO.	DESCRIPTION	Q'TY	REMARKS
1	33810-88L10	CABLE ASSY, STARTER MOTOR	1	
2	08316-10087	NUT	1	
3	36610-88L60	HARNESS ASSY, WIRING	1	
4	33634-96J00	.CAP, SERVICE CONNECTOR	1	
5	36668-87L00	.HOLDER, CONDENSER	1	
6	09320-08021	.CUSHION	2	
7	36737-96J00	.PULLER, FUSE	1	
8	36721-96J00	.O RING, UPPER COVER	1	
9	36738-88L00	.COVER, FUSE CASE UPPER	1	
10	38860-76F01	.RELAY, ENG CONTROL UNIT	1	
11	38860-76F01	.RELAY ASSY, STARTER MOTOR	1	
12	09481-15501	.FUSE (15A)	3	
13	09481-30501	.FUSE (30A)	3	
14	09481-30401	.FUSE (30A)	2	
15	36612-96J00	.CAP, TERMINAL	1	
16	36618-43410	.CAP, OIL PRESSURE SWITCH	1	
17	08310-00067	NUT	1	
18	08321-01067	WASHER	1	
19	09407-14403	CLAMP (L:125)	1	
20	09407-14407	CLAMP (L:145)	1	
21	36617-88L00	BRACKET, HARNESS	2	
22	36617-88L10	BRACKET, HARNESS	1	
23	36617-93J10	BRACKET, HARNESS	2	
24	01550-06127	BOLT	5	
25	09407-18402	CLAMP (L:165)	1	

FIG.211

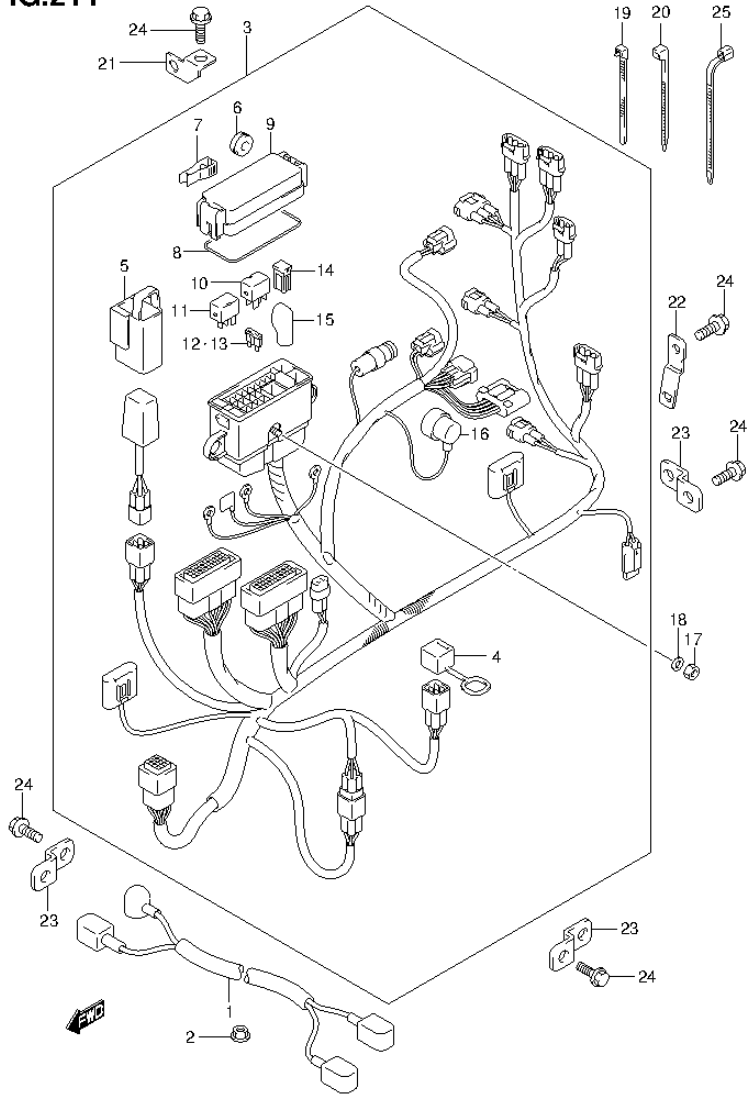


FIG.211 (2-H-11) HARNESS (DF40AQH E01)

REF NO.	PART NO.	DESCRIPTION	Q'TY	REMARKS
1	33810-88L10	CABLE ASSY, STARTER MOTOR	1	
2	08316-10087	NUT	1	
3	36610-88L50	HARNESS ASSY, WIRING	1	
4	33634-96J00	.CAP, SERVICE CONNECTOR	1	
5	36668-87L00	.HOLDER, CONDENSER	1	
6	09320-08021	.CUSHION	2	
7	36737-96J00	.PULLER, FUSE	1	
8	36721-96J00	.O RING, UPPER COVER	1	
9	36738-88L00	.COVER, FUSE CASE UPPER	1	
10	38860-76F01	.RELAY, ENG CONTROL UNIT	1	
11	38860-76F01	.RELAY ASSY, STARTER MOTOR	1	
12	09481-15501	.FUSE (15A)	2	
13	09481-30501	.FUSE (30A)	3	
14	09481-30401	.FUSE (30A)	2	
15	36612-96J00	.CAP, TERMINAL	1	
16	36618-43410	.CAP, OIL PRESSURE SWITCH	1	
17	08310-00067	NUT	1	
18	08321-01067	WASHER	1	
19	09407-14403	CLAMP (L:125)	1	
20	09407-14407	CLAMP (L:145)	1	
21	36617-88L00	BRACKET, HARNESS	2	
22	36617-88L10	BRACKET, HARNESS	1	
23	36617-93J10	BRACKET, HARNESS	2	
24	01550-06127	BOLT	5	
25	09407-18402	CLAMP (L:165)	1	

FIG.212

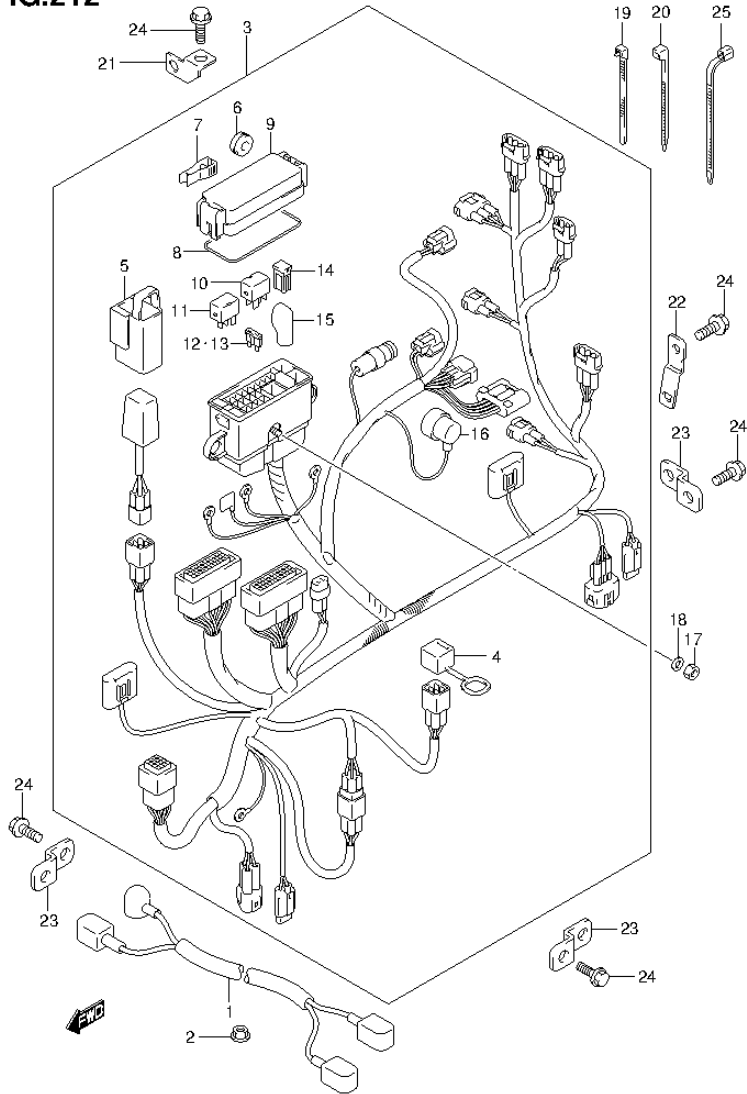


FIG.212 (2-H-12) HARNESS (DF40ATH E01)

REF NO.	PART NO.	DESCRIPTION	Q'TY	REMARKS
1	33810-88L10	CABLE ASSY, STARTER MOTOR	1	
2	08316-10087	NUT	1	
3	36610-88L60	HARNESS ASSY, WIRING	1	
4	33634-96J00	.CAP, SERVICE CONNECTOR	1	
5	36668-87L00	.HOLDER, CONDENSER	1	
6	09320-08021	.CUSHION	2	
7	36737-96J00	.PULLER, FUSE	1	
8	36721-96J00	.O RING, UPPER COVER	1	
9	36738-88L00	.COVER, FUSE CASE UPPER	1	
10	38860-76F01	.RELAY, ENG CONTROL UNIT	1	
11	38860-76F01	.RELAY ASSY, STARTER MOTOR	1	
12	09481-15501	.FUSE (15A)	3	
13	09481-30501	.FUSE (30A)	3	
14	09481-30401	.FUSE (30A)	2	
15	36612-96J00	.CAP, TERMINAL	1	
16	36618-43410	.CAP, OIL PRESSURE SWITCH	1	
17	08310-00067	NUT	1	
18	08321-01067	WASHER	1	
19	09407-14403	CLAMP (L:125)	1	
20	09407-14407	CLAMP (L:145)	1	
21	36617-88L00	BRACKET, HARNESS	2	
22	36617-88L10	BRACKET, HARNESS	1	
23	36617-93J10	BRACKET, HARNESS	2	
24	01550-06127	BOLT	5	
25	09407-18402	CLAMP (L:165)	1	

FIG.213

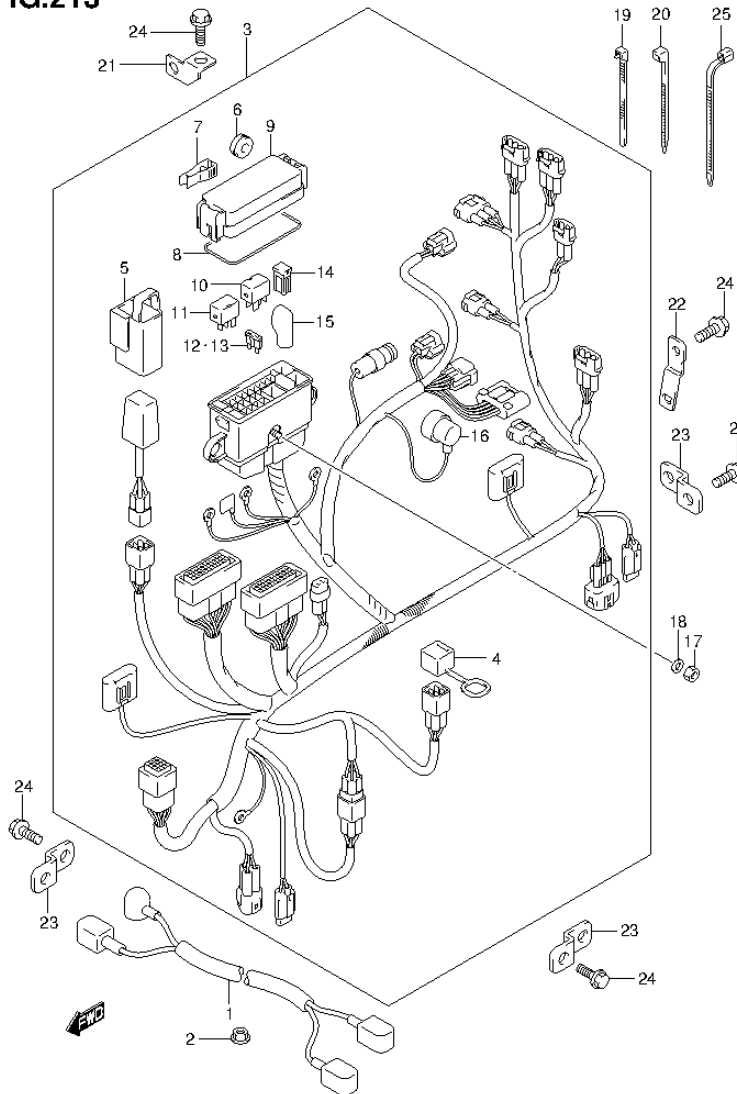


FIG.213 (2-H-13) HARNESS (DF40AST E34)

REF NO.	PART NO.	DESCRIPTION	Q'TY	REMARKS
1	33810-88L10	CABLE ASSY, STARTER MOTOR	1	
2	08316-10087	NUT	1	
3	36610-88L80	HARNESS ASSY, WIRING	1	
4	33634-96J00	.CAP, SERVICE CONNECTOR	1	
5	36668-87L00	.HOLDER, CONDENSER	1	
6	09320-08021	.CUSHION	2	
7	36737-96J00	.PULLER, FUSE	1	
8	36721-96J00	.O RING, UPPER COVER	1	
9	36738-88L00	.COVER, FUSE CASE UPPER	1	
10	38860-76F01	.RELAY, ENG CONTROL UNIT	1	
11	38860-76F01	.RELAY ASSY, STARTER MOTOR	1	
12	09481-15501	.FUSE (15A)	3	
13	09481-30501	.FUSE (30A)	3	
14	09481-30401	.FUSE (30A)	2	
15	36612-96J00	.CAP, TERMINAL	1	
16	36618-43410	.CAP, OIL PRESSURE SWITCH	1	
17	08310-00067	NUT	1	
18	08321-01067	WASHER	1	
19	09407-14403	CLAMP (L:125)	1	
20	09407-14407	CLAMP (L:145)	1	
21	36617-88L00	BRACKET, HARNESS	2	
22	36617-88L10	BRACKET, HARNESS	1	
23	36617-93J10	BRACKET, HARNESS	2	
24	01550-06127	BOLT	5	
25	09407-18402	CLAMP (L:165)	1	

FIG.214

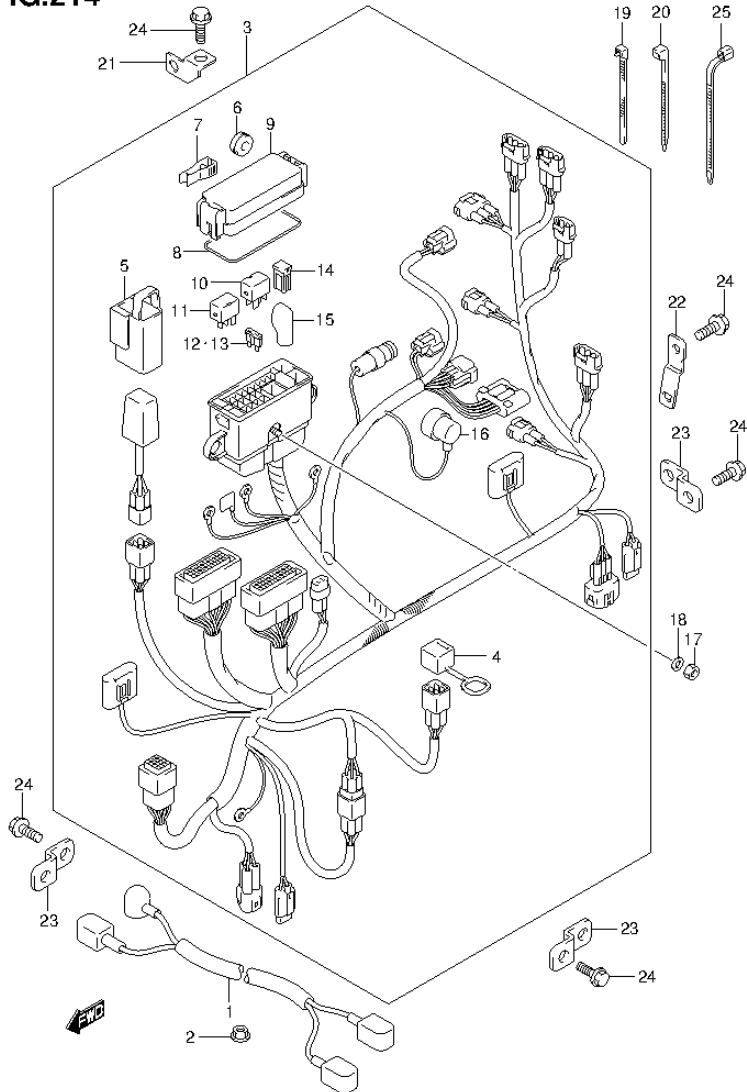


FIG.214 (2-H-14) HARNESS (DF50A E01)

REF NO.	PART NO.	DESCRIPTION	Q'TY	REMARKS
1	33810-88L10	CABLE ASSY, STARTER MOTOR	1	
2	08316-10087	NUT	1	
3	36610-88L60	HARNESS ASSY, WIRING	1	
4	33634-96J00	.CAP, SERVICE CONNECTOR	1	
5	36668-87L00	.HOLDER, CONDENSER	1	
6	09320-08021	.CUSHION	2	
7	36737-96J00	.PULLER, FUSE	1	
8	36721-96J00	.O RING, UPPER COVER	1	
9	36738-88L00	.COVER, FUSE CASE UPPER	1	
10	38860-76F01	.RELAY, ENG CONTROL UNIT	1	
11	38860-76F01	.RELAY ASSY, STARTER MOTOR	1	
12	09481-15501	.FUSE (15A)	3	
13	09481-30501	.FUSE (30A)	3	
14	09481-30401	.FUSE (30A)	2	
15	36612-96J00	.CAP, TERMINAL	1	
16	36618-43410	.CAP, OIL PRESSURE SWITCH	1	
17	08310-00067	NUT	1	
18	08321-01067	WASHER	1	
19	09407-14403	CLAMP (L:125)	1	
20	09407-14407	CLAMP (L:145)	1	
21	36617-88L00	BRACKET, HARNESS	2	
22	36617-88L10	BRACKET, HARNESS	1	
23	36617-93J10	BRACKET, HARNESS	2	
24	01550-06127	BOLT	5	
25	09407-18402	CLAMP (L:165)	1	

FIG.215

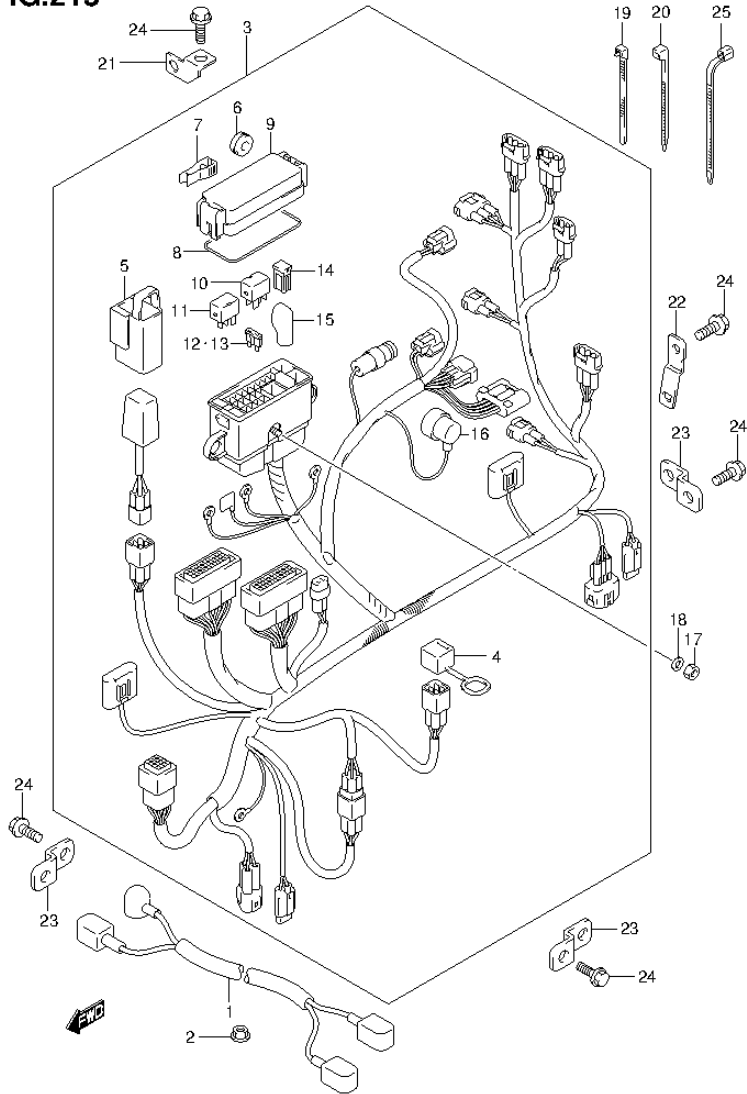


FIG.215 (2-H-15) HARNESS (DF50ATH E01)

REF NO.	PART NO.	DESCRIPTION	Q'TY	REMARKS
1	33810-88L10	CABLE ASSY, STARTER MOTOR	1	
2	08316-10087	NUT	1	
3	36610-88L60	HARNESS ASSY, WIRING	1	
4	33634-96J00	.CAP, SERVICE CONNECTOR	1	
5	36668-87L00	.HOLDER, CONDENSER	1	
6	09320-08021	.CUSHION	2	
7	36737-96J00	.PULLER, FUSE	1	
8	36721-96J00	.O RING, UPPER COVER	1	
9	36738-88L00	.COVER, FUSE CASE UPPER	1	
10	38860-76F01	.RELAY, ENG CONTROL UNIT	1	
11	38860-76F01	.RELAY ASSY, STARTER MOTOR	1	
12	09481-15501	.FUSE (15A)	3	
13	09481-30501	.FUSE (30A)	3	
14	09481-30401	.FUSE (30A)	2	
15	36612-96J00	.CAP, TERMINAL	1	
16	36618-43410	.CAP, OIL PRESSURE SWITCH	1	
17	08310-00067	NUT	1	
18	08321-01067	WASHER	1	
19	09407-14403	CLAMP (L:125)	1	
20	09407-14407	CLAMP (L:145)	1	
21	36617-88L00	BRACKET, HARNESS	2	
22	36617-88L10	BRACKET, HARNESS	1	
23	36617-93J10	BRACKET, HARNESS	2	
24	01550-06127	BOLT	5	
25	09407-18402	CLAMP (L:165)	1	

FIG.216

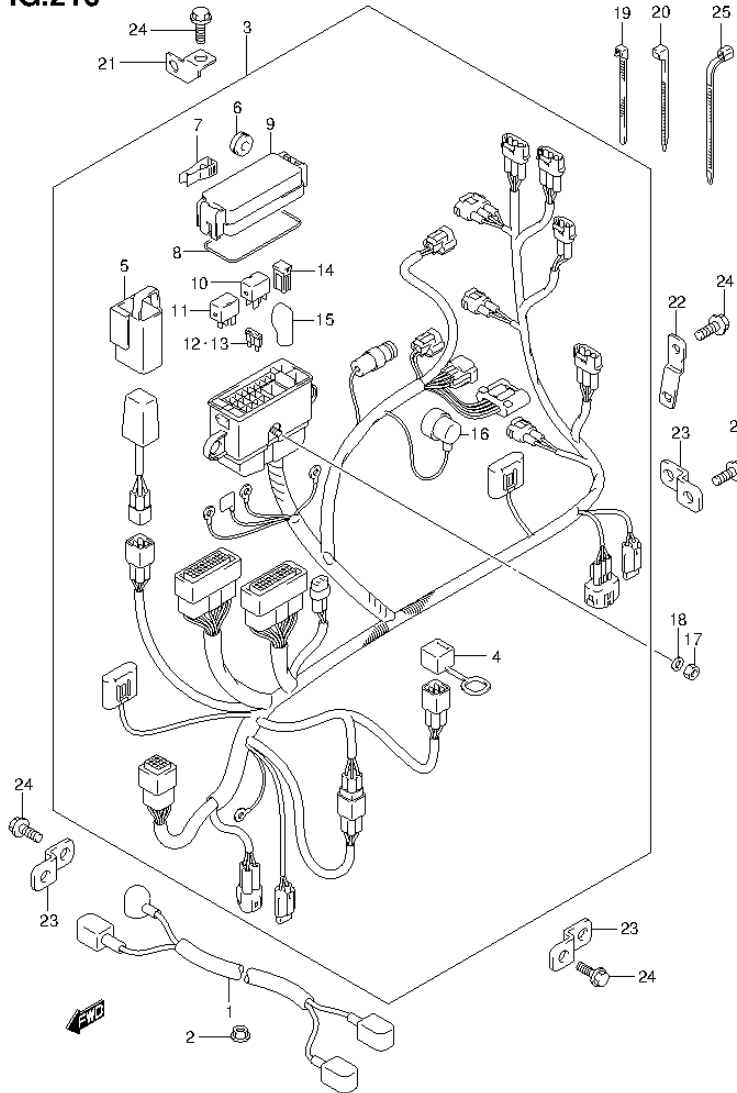


FIG.216 (2-I-2) HARNESS (DF60A E01)

REF NO.	PART NO.	DESCRIPTION	Q'TY	REMARKS
1	33810-88L10	CABLE ASSY, STARTER MOTOR	1	
2	08316-10087	NUT	1	
3	36610-88L80	HARNESS ASSY, WIRING	1	
4	33634-96J00	.CAP, SERVICE CONNECTOR	1	
5	36668-87L00	.HOLDER, CONDENSER	1	
6	09320-08021	.CUSHION	2	
7	36737-96J00	.PULLER, FUSE	1	
8	36721-96J00	.O RING, UPPER COVER	1	
9	36738-88L00	.COVER, FUSE CASE UPPER	1	
10	38860-76F01	.RELAY, ENG CONTROL UNIT	1	
11	38860-76F01	.RELAY ASSY, STARTER MOTOR	1	
12	09481-15501	.FUSE (15A)	3	
13	09481-30501	.FUSE (30A)	3	
14	09481-30401	.FUSE (30A)	2	
15	36612-96J00	.CAP, TERMINAL	1	
16	36618-43410	.CAP, OIL PRESSURE SWITCH	1	
17	08310-00067	NUT	1	
18	08321-01067	WASHER	1	
19	09407-14403	CLAMP (L:125)	1	
20	09407-14407	CLAMP (L:145)	1	
21	36617-88L00	BRACKET, HARNESS	2	
22	36617-88L10	BRACKET, HARNESS	1	
23	36617-93J10	BRACKET, HARNESS	2	
24	01550-06127	BOLT	5	
25	09407-18402	CLAMP (L:165)	1	

FIG.217

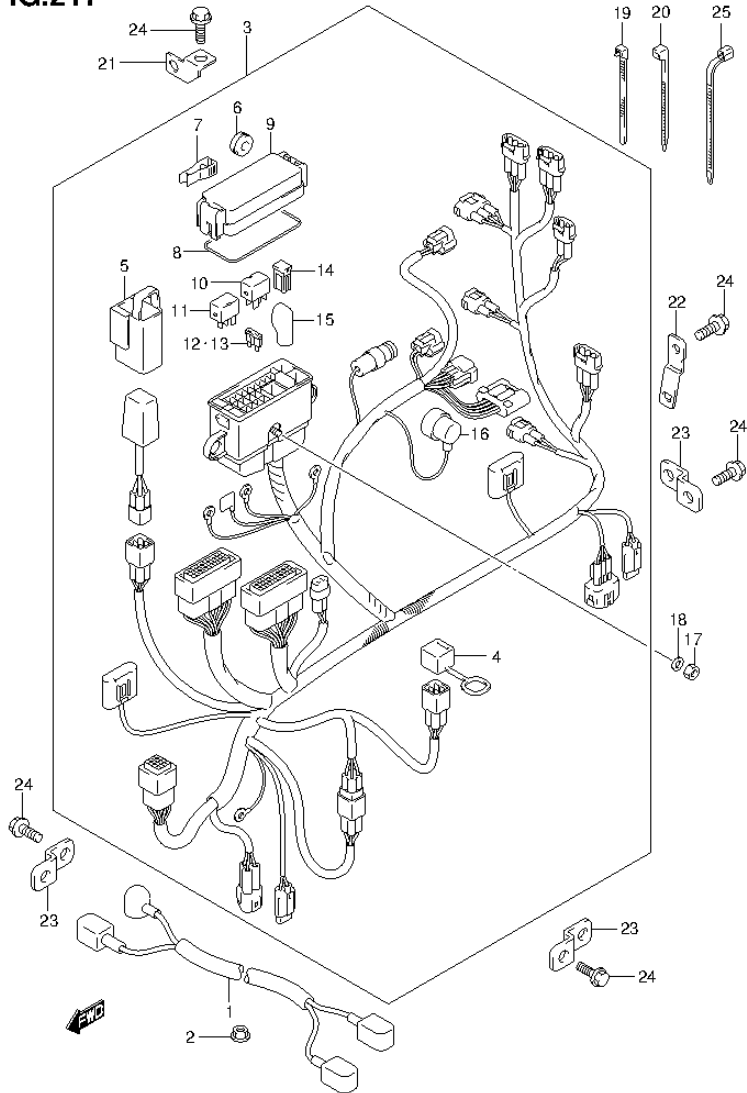


FIG.217 (2-I-3) HARNESS (DF60A E40)

REF NO.	PART NO.	DESCRIPTION	Q'TY	REMARKS
1	33810-88L10	CABLE ASSY, STARTER MOTOR	1	
2	08316-10087	NUT	1	
3	36610-88L80	HARNESS ASSY, WIRING	1	
4	33634-96J00	.CAP, SERVICE CONNECTOR	1	
5	36668-87L00	.HOLDER, CONDENSER	1	
6	09320-08021	.CUSHION	2	
7	36737-96J00	.PULLER, FUSE	1	
8	36721-96J00	.O RING, UPPER COVER	1	
9	36738-88L00	.COVER, FUSE CASE UPPER	1	
10	38860-76F01	.RELAY, ENG CONTROL UNIT	1	
11	38860-76F01	.RELAY ASSY, STARTER MOTOR	1	
12	09481-15501	.FUSE (15A)	3	
13	09481-30501	.FUSE (30A)	3	
14	09481-30401	.FUSE (30A)	2	
15	36612-96J00	.CAP, TERMINAL	1	
16	36618-43410	.CAP, OIL PRESSURE SWITCH	1	
17	08310-00067	NUT	1	
18	08321-01067	WASHER	1	
19	09407-14403	CLAMP (L:125)	1	
20	09407-14407	CLAMP (L:145)	1	
21	36617-88L00	BRACKET, HARNESS	2	
22	36617-88L10	BRACKET, HARNESS	1	
23	36617-93J10	BRACKET, HARNESS	2	
24	01550-06127	BOLT	5	
25	09407-18402	CLAMP (L:165)	1	

FIG.218

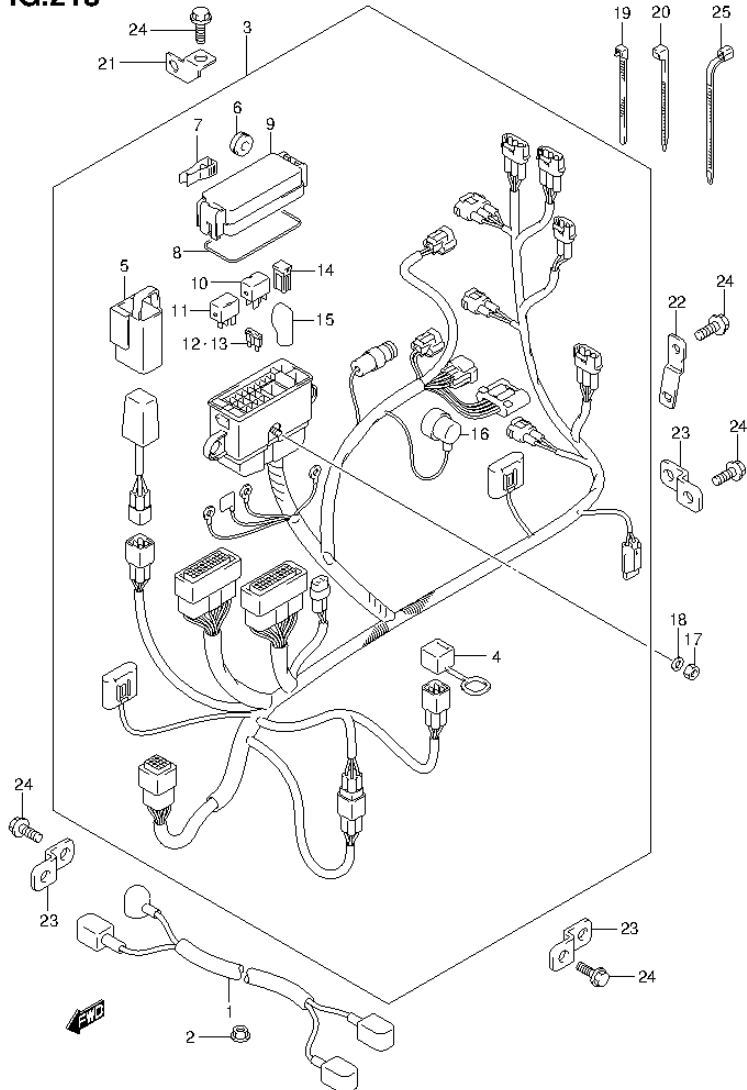


FIG.218 (2-I-4) HARNESS (DF60AQH E01)

REF NO.	PART NO.	DESCRIPTION	Q'TY	REMARKS
1	33810-88L10	CABLE ASSY, STARTER MOTOR	1	
2	08316-10087	NUT	1	
3	36610-88L50	HARNESS ASSY, WIRING	1	
4	33634-96J00	.CAP, SERVICE CONNECTOR	1	
5	36668-87L00	.HOLDER, CONDENSER	1	
6	09320-08021	.CUSHION	2	
7	36737-96J00	.PULLER, FUSE	1	
8	36721-96J00	.O RING, UPPER COVER	1	
9	36738-88L00	.COVER, FUSE CASE UPPER	1	
10	38860-76F01	.RELAY, ENG CONTROL UNIT	1	
11	38860-76F01	.RELAY ASSY, STARTER MOTOR	1	
12	09481-15501	.FUSE (15A)	2	
13	09481-30501	.FUSE (30A)	3	
14	09481-30401	.FUSE (30A)	2	
15	36612-96J00	.CAP, TERMINAL	1	
16	36618-43410	.CAP, OIL PRESSURE SWITCH	1	
17	08310-00067	NUT	1	
18	08321-01067	WASHER	1	
19	09407-14403	CLAMP (L:125)	1	
20	09407-14407	CLAMP (L:145)	1	
21	36617-88L00	BRACKET, HARNESS	2	
22	36617-88L10	BRACKET, HARNESS	1	
23	36617-93J10	BRACKET, HARNESS	2	
24	01550-06127	BOLT	5	
25	09407-18402	CLAMP (L:165)	1	

FIG.219

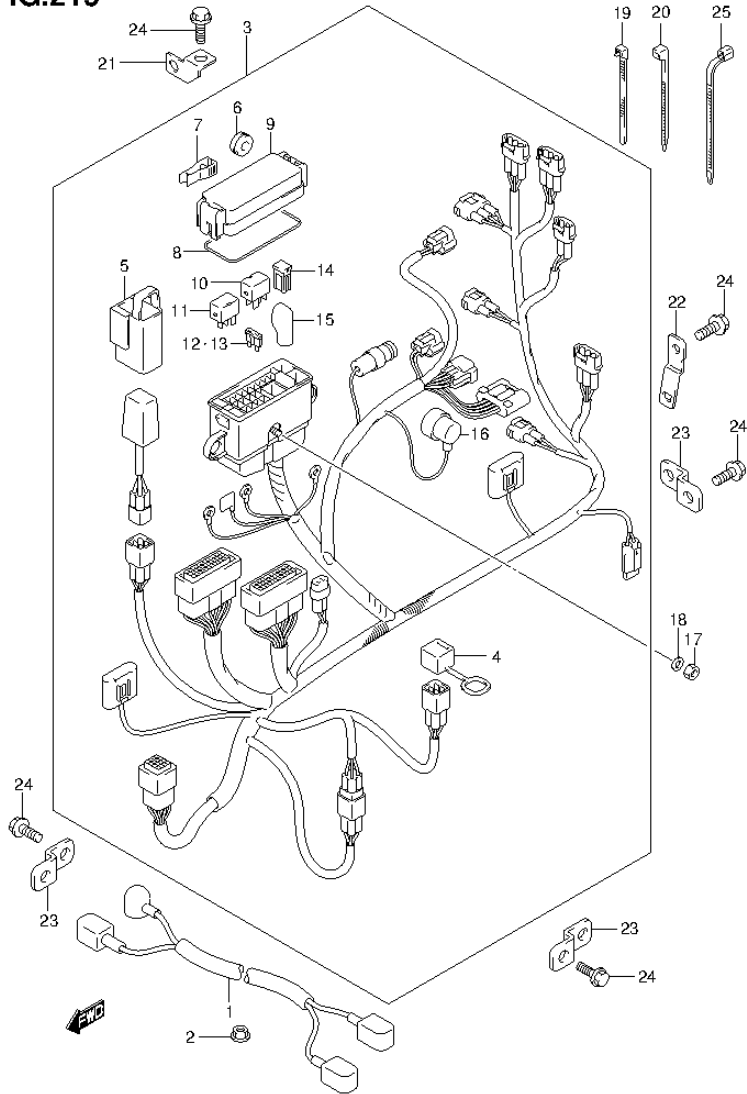


FIG.219 (2-I-5) HARNESS (DF60AQH E40)

REF NO.	PART NO.	DESCRIPTION	Q'TY	REMARKS
1	33810-88L10	CABLE ASSY, STARTER MOTOR	1	
2	08316-10087	NUT	1	
3	36610-88L50	HARNESS ASSY, WIRING	1	
4	33634-96J00	.CAP, SERVICE CONNECTOR	1	
5	36668-87L00	.HOLDER, CONDENSER	1	
6	09320-08021	.CUSHION	2	
7	36737-96J00	.PULLER, FUSE	1	
8	36721-96J00	.O RING, UPPER COVER	1	
9	36738-88L00	.COVER, FUSE CASE UPPER	1	
10	38860-76F01	.RELAY, ENG CONTROL UNIT	1	
11	38860-76F01	.RELAY ASSY, STARTER MOTOR	1	
12	09481-15501	.FUSE (15A)	2	
13	09481-30501	.FUSE (30A)	3	
14	09481-30401	.FUSE (30A)	2	
15	36612-96J00	.CAP, TERMINAL	1	
16	36618-43410	.CAP, OIL PRESSURE SWITCH	1	
17	08310-00067	NUT	1	
18	08321-01067	WASHER	1	
19	09407-14403	CLAMP (L:125)	1	
20	09407-14407	CLAMP (L:145)	1	
21	36617-88L00	BRACKET, HARNESS	2	
22	36617-88L10	BRACKET, HARNESS	1	
23	36617-93J10	BRACKET, HARNESS	2	
24	01550-06127	BOLT	5	
25	09407-18402	CLAMP (L:165)	1	

FIG.220

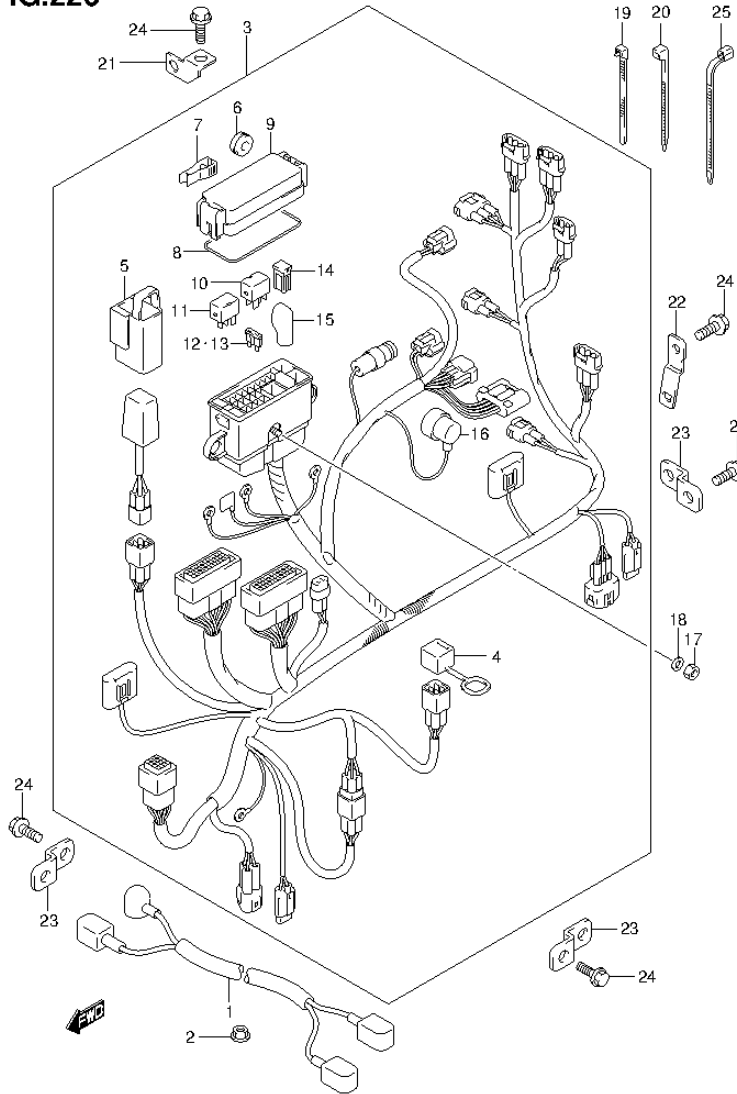


FIG.220 (2-I-6) HARNESS (DF60ATH E01)

REF NO.	PART NO.	DESCRIPTION	Q'TY	REMARKS
1	33810-88L10	CABLE ASSY, STARTER MOTOR	1	
2	08316-10087	NUT	1	
3	36610-88L80	HARNESS ASSY, WIRING	1	
4	33634-96J00	.CAP, SERVICE CONNECTOR	1	
5	36668-87L00	.HOLDER, CONDENSER	1	
6	09320-08021	.CUSHION	2	
7	36737-96J00	.PULLER, FUSE	1	
8	36721-96J00	.O RING, UPPER COVER	1	
9	36738-88L00	.COVER, FUSE CASE UPPER	1	
10	38860-76F01	.RELAY, ENG CONTROL UNIT	1	
11	38860-76F01	.RELAY ASSY, STARTER MOTOR	1	
12	09481-15501	.FUSE (15A)	3	
13	09481-30501	.FUSE (30A)	3	
14	09481-30401	.FUSE (30A)	2	
15	36612-96J00	.CAP, TERMINAL	1	
16	36618-43410	.CAP, OIL PRESSURE SWITCH	1	
17	08310-00067	NUT	1	
18	08321-01067	WASHER	1	
19	09407-14403	CLAMP (L:125)	1	
20	09407-14407	CLAMP (L:145)	1	
21	36617-88L00	BRACKET, HARNESS	2	
22	36617-88L10	BRACKET, HARNESS	1	
23	36617-93J10	BRACKET, HARNESS	2	
24	01550-06127	BOLT	5	
25	09407-18402	CLAMP (L:165)	1	

FIG.221

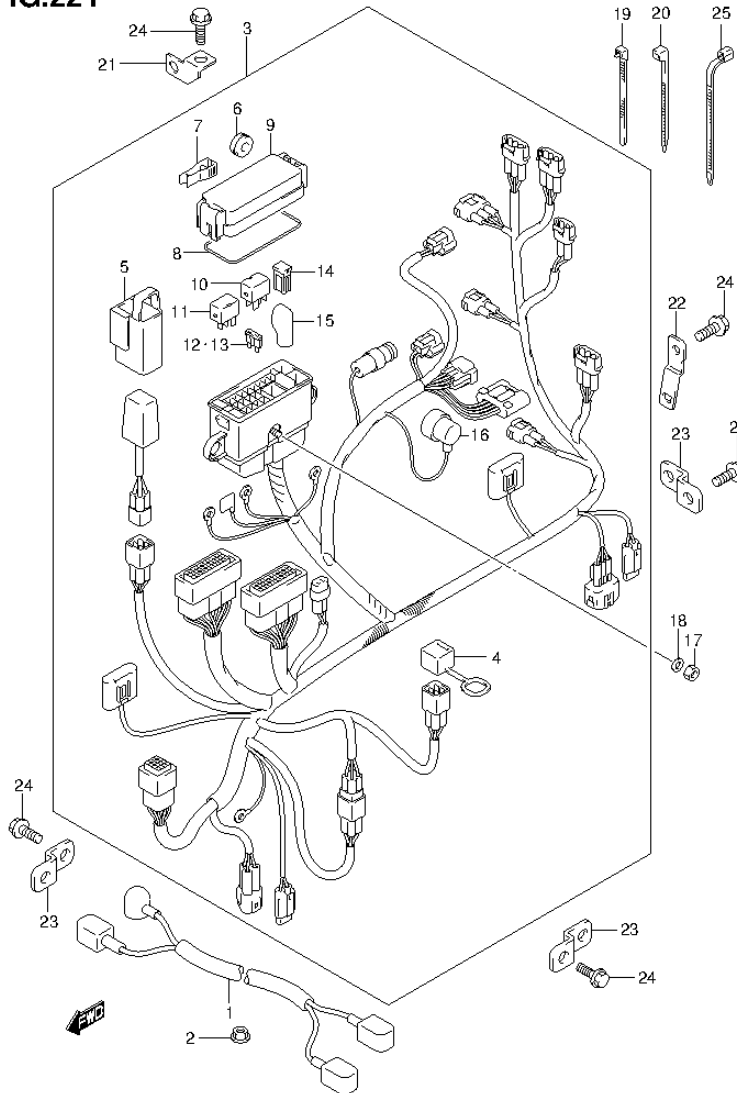


FIG.221 (2-I-7) HARNESS (DF60ATH E40)

REF NO.	PART NO.	DESCRIPTION	Q'TY	REMARKS
1	33810-88L10	CABLE ASSY, STARTER MOTOR	1	
2	08316-10087	NUT	1	
3	36610-88L80	HARNESS ASSY, WIRING	1	
4	33634-96J00	.CAP, SERVICE CONNECTOR	1	
5	36668-87L00	.HOLDER, CONDENSER	1	
6	09320-08021	.CUSHION	2	
7	36737-96J00	.PULLER, FUSE	1	
8	36721-96J00	.O RING, UPPER COVER	1	
9	36738-88L00	.COVER, FUSE CASE UPPER	1	
10	38860-76F01	.RELAY, ENG CONTROL UNIT	1	
11	38860-76F01	.RELAY ASSY, STARTER MOTOR	1	
12	09481-15501	.FUSE (15A)	3	
13	09481-30501	.FUSE (30A)	3	
14	09481-30401	.FUSE (30A)	2	
15	36612-96J00	.CAP, TERMINAL	1	
16	36618-43410	.CAP, OIL PRESSURE SWITCH	1	
17	08310-00067	NUT	1	
18	08321-01067	WASHER	1	
19	09407-14403	CLAMP (L:125)	1	
20	09407-14407	CLAMP (L:145)	1	
21	36617-88L00	BRACKET, HARNESS	2	
22	36617-88L10	BRACKET, HARNESS	1	
23	36617-93J10	BRACKET, HARNESS	2	
24	01550-06127	BOLT	5	
25	09407-18402	CLAMP (L:165)	1	

FIG.222

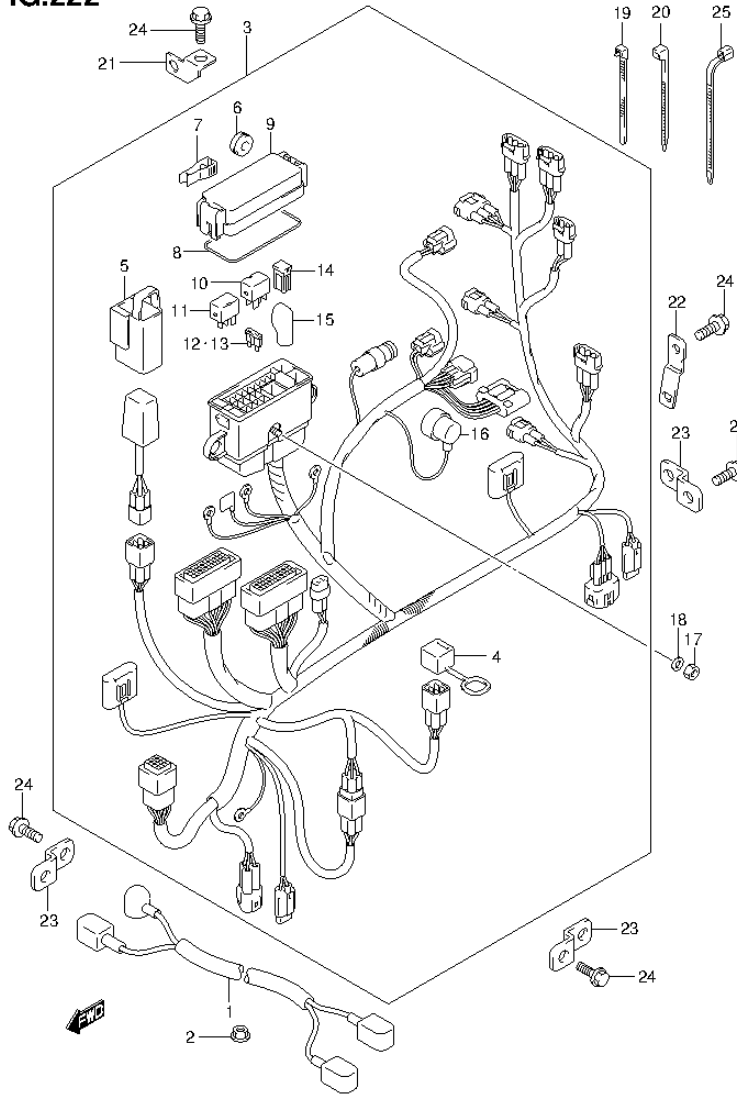


FIG.222 (2-I-8) HARNESS (DF50AVT E01)

REF NO.	PART NO.	DESCRIPTION	Q'TY	REMARKS
1	33810-88L10	CABLE ASSY, STARTER MOTOR	1	
2	08316-10087	NUT	1	
3	36610-88L80	HARNESS ASSY, WIRING	1	
4	33634-96J00	.CAP, SERVICE CONNECTOR	1	
5	36668-87L00	.HOLDER, CONDENSER	1	
6	09320-08021	.CUSHION	2	
7	36737-96J00	.PULLER, FUSE	1	
8	36721-96J00	.O RING, UPPER COVER	1	
9	36738-88L00	.COVER, FUSE CASE UPPER	1	
10	38860-76F01	.RELAY, ENG CONTROL UNIT	1	
11	38860-76F01	.RELAY ASSY, STARTER MOTOR	1	
12	09481-15501	.FUSE (15A)	3	
13	09481-30501	.FUSE (30A)	3	
14	09481-30401	.FUSE (30A)	2	
15	36612-96J00	.CAP, TERMINAL	1	
16	36618-43410	.CAP, OIL PRESSURE SWITCH	1	
17	08310-00067	NUT	1	
18	08321-01067	WASHER	1	
19	09407-14403	CLAMP (L:125)	1	
20	09407-14407	CLAMP (L:145)	1	
21	36617-88L00	BRACKET, HARNESS	2	
22	36617-88L10	BRACKET, HARNESS	1	
23	36617-93J10	BRACKET, HARNESS	2	
24	01550-06127	BOLT	5	
25	09407-18402	CLAMP (L:165)	1	

FIG.223

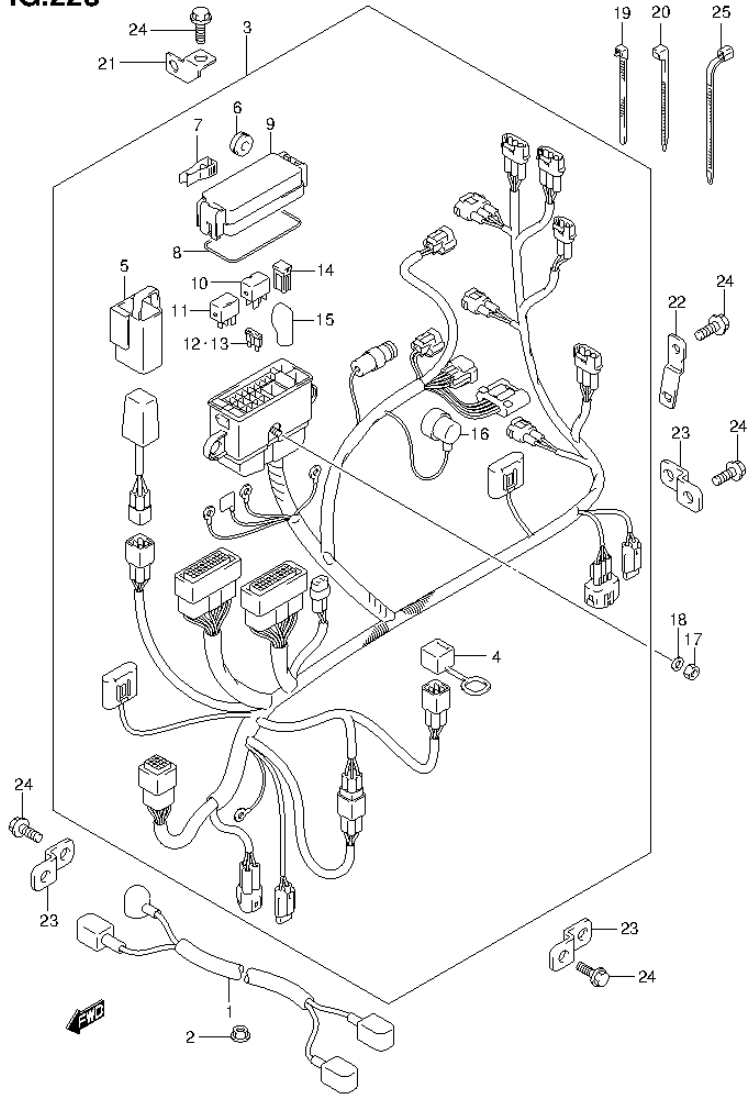


FIG.223 (2-I-9) HARNESS (DF50AVTH E01)

REF NO.	PART NO.	DESCRIPTION	Q'TY	REMARKS
1	33810-88L10	CABLE ASSY, STARTER MOTOR	1	
2	08316-10087	NUT	1	
3	36610-88L80	HARNESS ASSY, WIRING	1	
4	33634-96J00	.CAP, SERVICE CONNECTOR	1	
5	36668-87L00	.HOLDER, CONDENSER	1	
6	09320-08021	.CUSHION	2	
7	36737-96J00	.PULLER, FUSE	1	
8	36721-96J00	.O RING, UPPER COVER	1	
9	36738-88L00	.COVER, FUSE CASE UPPER	1	
10	38860-76F01	.RELAY, ENG CONTROL UNIT	1	
11	38860-76F01	.RELAY ASSY, STARTER MOTOR	1	
12	09481-15501	.FUSE (15A)	3	
13	09481-30501	.FUSE (30A)	3	
14	09481-30401	.FUSE (30A)	2	
15	36612-96J00	.CAP, TERMINAL	1	
16	36618-43410	.CAP, OIL PRESSURE SWITCH	1	
17	08310-00067	NUT	1	
18	08321-01067	WASHER	1	
19	09407-14403	CLAMP (L:125)	1	
20	09407-14407	CLAMP (L:145)	1	
21	36617-88L00	BRACKET, HARNESS	2	
22	36617-88L10	BRACKET, HARNESS	1	
23	36617-93J10	BRACKET, HARNESS	2	
24	01550-06127	BOLT	5	
25	09407-18402	CLAMP (L:165)	1	

FIG.224

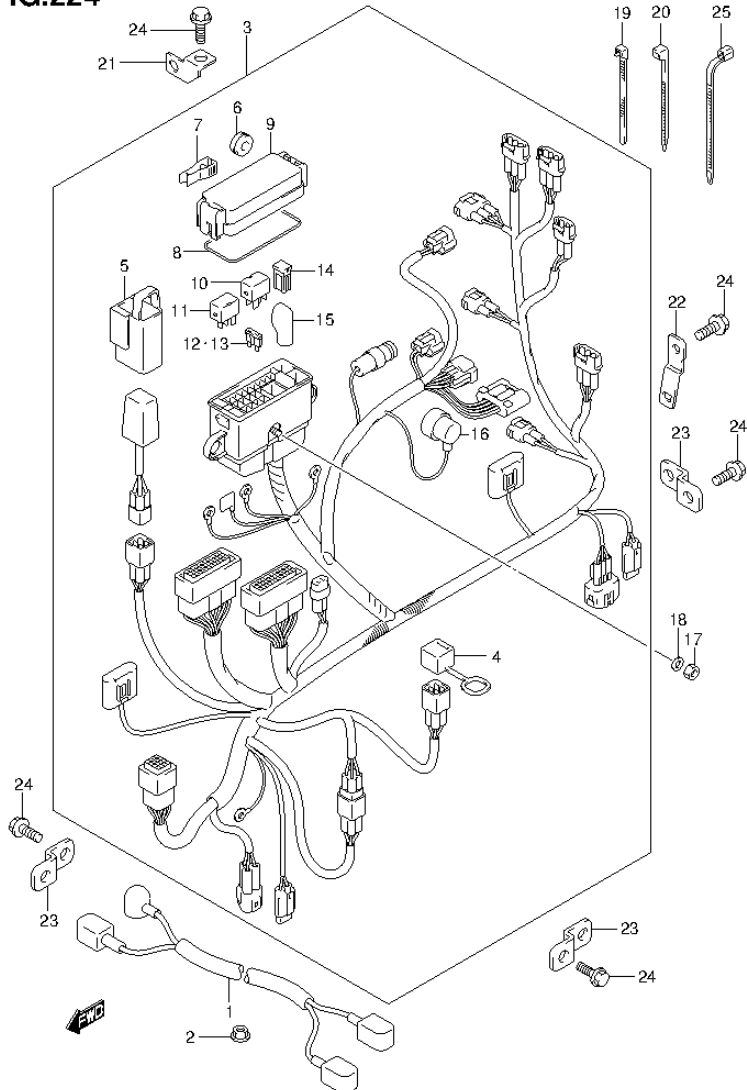


FIG.224 (2-I-10) HARNESS (DF60AVT E01)

REF NO.	PART NO.	DESCRIPTION	Q'TY	REMARKS
1	33810-88L10	CABLE ASSY, STARTER MOTOR	1	
2	08316-10087	NUT	1	
3	36610-88L80	HARNESS ASSY, WIRING	1	
4	33634-96J00	.CAP, SERVICE CONNECTOR	1	
5	36668-87L00	.HOLDER, CONDENSER	1	
6	09320-08021	.CUSHION	2	
7	36737-96J00	.PULLER, FUSE	1	
8	36721-96J00	.O RING, UPPER COVER	1	
9	36738-88L00	.COVER, FUSE CASE UPPER	1	
10	38860-76F01	.RELAY, ENG CONTROL UNIT	1	
11	38860-76F01	.RELAY ASSY, STARTER MOTOR	1	
12	09481-15501	.FUSE (15A)	3	
13	09481-30501	.FUSE (30A)	3	
14	09481-30401	.FUSE (30A)	2	
15	36612-96J00	.CAP, TERMINAL	1	
16	36618-43410	.CAP, OIL PRESSURE SWITCH	1	
17	08310-00067	NUT	1	
18	08321-01067	WASHER	1	
19	09407-14403	CLAMP (L:125)	1	
20	09407-14407	CLAMP (L:145)	1	
21	36617-88L00	BRACKET, HARNESS	2	
22	36617-88L10	BRACKET, HARNESS	1	
23	36617-93J10	BRACKET, HARNESS	2	
24	01550-06127	BOLT	5	
25	09407-18402	CLAMP (L:165)	1	

FIG.225

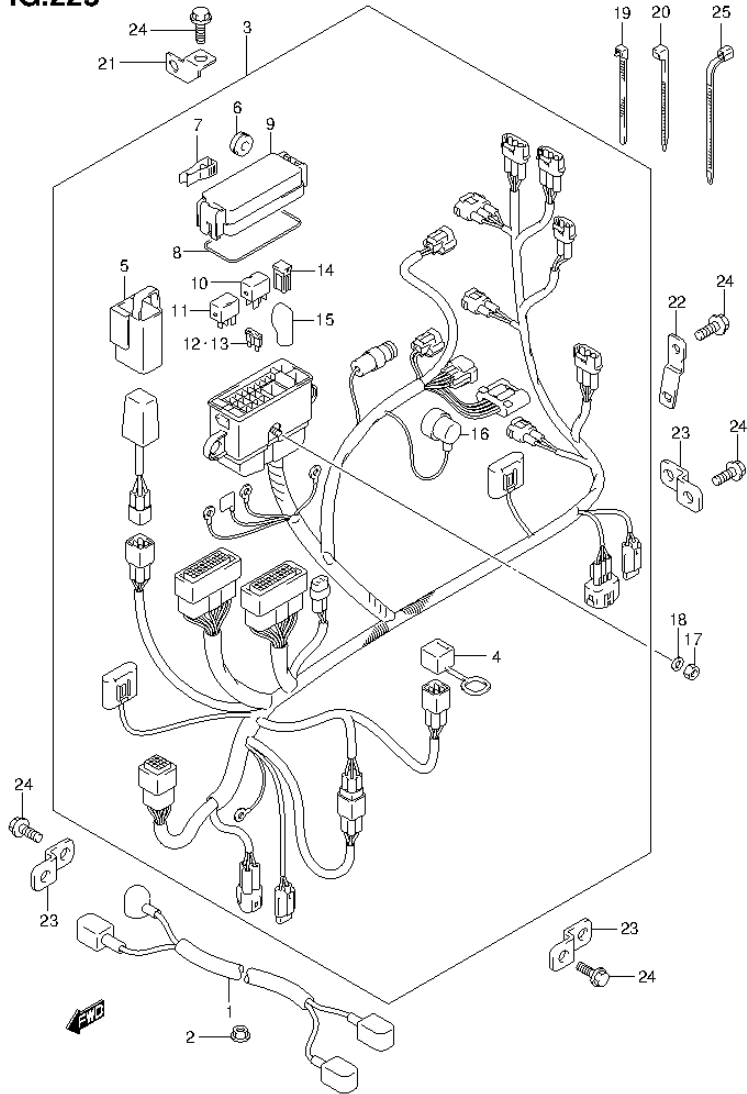


FIG.225 (2-I-11) HARNESS (DF60AVT E40)

REF NO.	PART NO.	DESCRIPTION	Q'TY	REMARKS
1	33810-88L10	CABLE ASSY, STARTER MOTOR	1	
2	08316-10087	NUT	1	
3	36610-88L80	HARNESS ASSY, WIRING	1	
4	33634-96J00	.CAP, SERVICE CONNECTOR	1	
5	36668-87L00	.HOLDER, CONDENSER	1	
6	09320-08021	.CUSHION	2	
7	36737-96J00	.PULLER, FUSE	1	
8	36721-96J00	.O RING, UPPER COVER	1	
9	36738-88L00	.COVER, FUSE CASE UPPER	1	
10	38860-76F01	.RELAY, ENG CONTROL UNIT	1	
11	38860-76F01	.RELAY ASSY, STARTER MOTOR	1	
12	09481-15501	.FUSE (15A)	3	
13	09481-30501	.FUSE (30A)	3	
14	09481-30401	.FUSE (30A)	2	
15	36612-96J00	.CAP, TERMINAL	1	
16	36618-43410	.CAP, OIL PRESSURE SWITCH	1	
17	08310-00067	NUT	1	
18	08321-01067	WASHER	1	
19	09407-14403	CLAMP (L:125)	1	
20	09407-14407	CLAMP (L:145)	1	
21	36617-88L00	BRACKET, HARNESS	2	
22	36617-88L10	BRACKET, HARNESS	1	
23	36617-93J10	BRACKET, HARNESS	2	
24	01550-06127	BOLT	5	
25	09407-18402	CLAMP (L:165)	1	

FIG.226

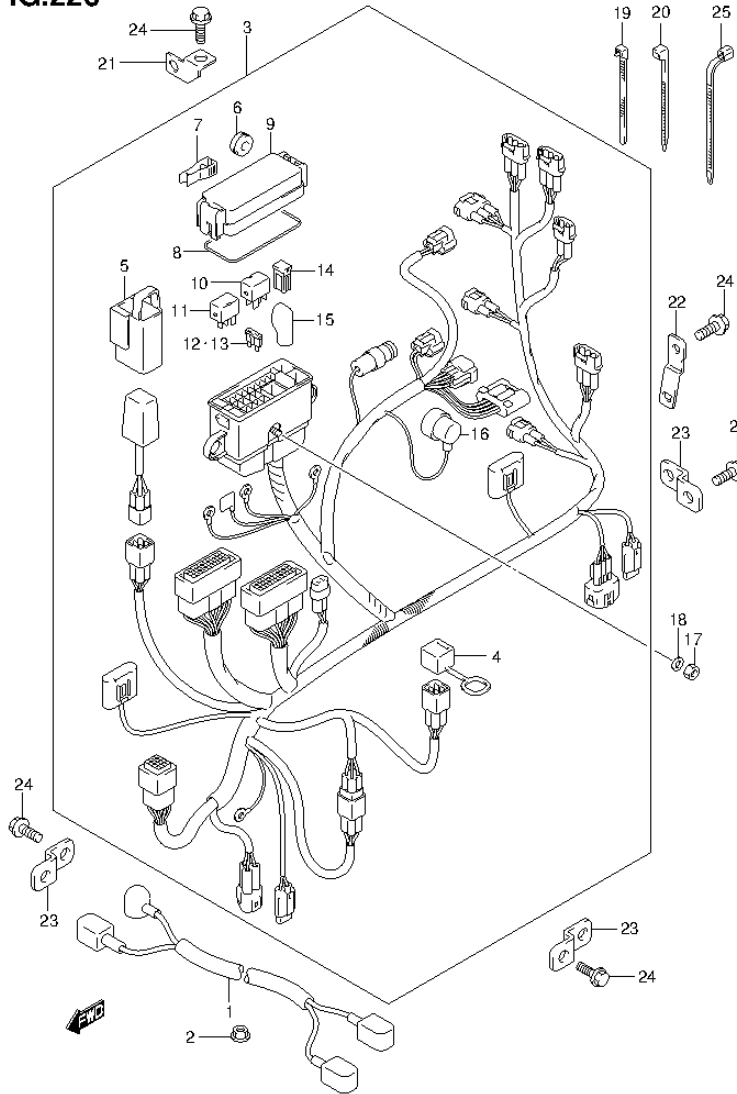


FIG.226 (2-I-12) HARNESS (DF60AVTH E01)

REF NO.	PART NO.	DESCRIPTION	Q'TY	REMARKS
1	33810-88L10	CABLE ASSY, STARTER MOTOR	1	
2	08316-10087	NUT	1	
3	36610-88L80	HARNESS ASSY, WIRING	1	
4	33634-96J00	.CAP, SERVICE CONNECTOR	1	
5	36668-87L00	.HOLDER, CONDENSER	1	
6	09320-08021	.CUSHION	2	
7	36737-96J00	.PULLER, FUSE	1	
8	36721-96J00	.O RING, UPPER COVER	1	
9	36738-88L00	.COVER, FUSE CASE UPPER	1	
10	38860-76F01	.RELAY, ENG CONTROL UNIT	1	
11	38860-76F01	.RELAY ASSY, STARTER MOTOR	1	
12	09481-15501	.FUSE (15A)	3	
13	09481-30501	.FUSE (30A)	3	
14	09481-30401	.FUSE (30A)	2	
15	36612-96J00	.CAP, TERMINAL	1	
16	36618-43410	.CAP, OIL PRESSURE SWITCH	1	
17	08310-00067	NUT	1	
18	08321-01067	WASHER	1	
19	09407-14403	CLAMP (L:125)	1	
20	09407-14407	CLAMP (L:145)	1	
21	36617-88L00	BRACKET, HARNESS	2	
22	36617-88L10	BRACKET, HARNESS	1	
23	36617-93J10	BRACKET, HARNESS	2	
24	01550-06127	BOLT	5	
25	09407-18402	CLAMP (L:165)	1	

FIG.227

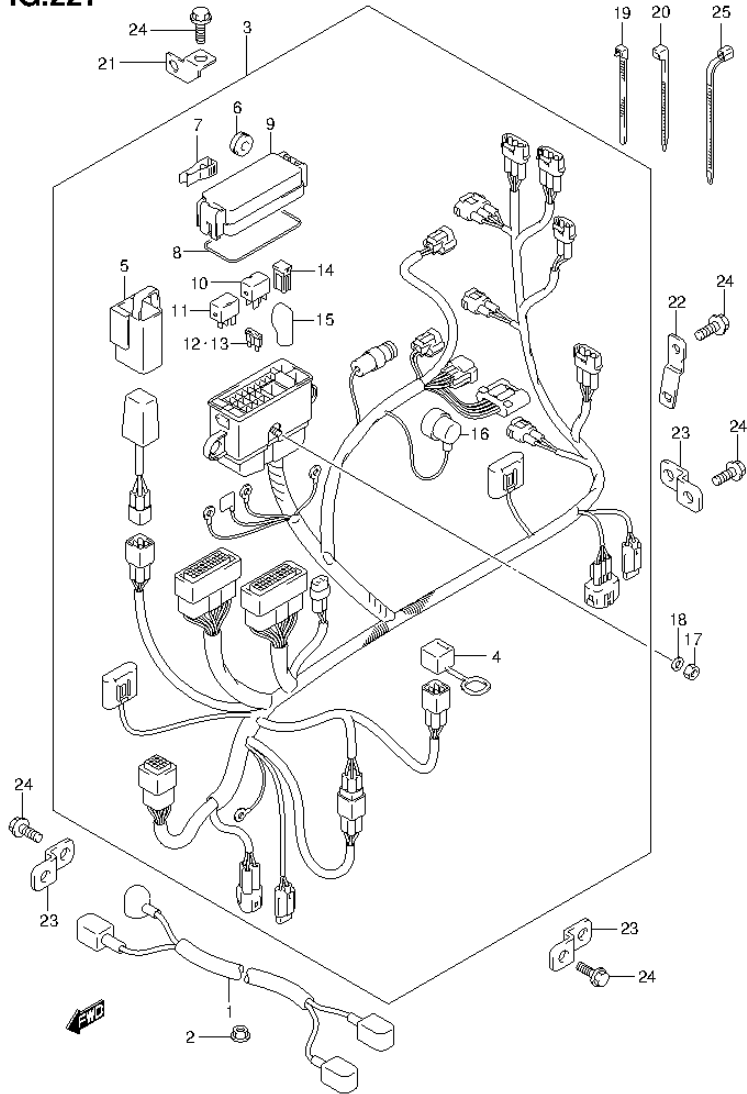


FIG.227 (2-I-13) HARNESS (DF60AVTH E40)

REF NO.	PART NO.	DESCRIPTION	Q'TY	REMARKS
1	33810-88L10	CABLE ASSY, STARTER MOTOR	1	
2	08316-10087	NUT	1	
3	36610-88L80	HARNESS ASSY, WIRING	1	
4	33634-96J00	.CAP, SERVICE CONNECTOR	1	
5	36668-87L00	.HOLDER, CONDENSER	1	
6	09320-08021	.CUSHION	2	
7	36737-96J00	.PULLER, FUSE	1	
8	36721-96J00	.O RING, UPPER COVER	1	
9	36738-88L00	.COVER, FUSE CASE UPPER	1	
10	38860-76F01	.RELAY, ENG CONTROL UNIT	1	
11	38860-76F01	.RELAY ASSY, STARTER MOTOR	1	
12	09481-15501	.FUSE (15A)	3	
13	09481-30501	.FUSE (30A)	3	
14	09481-30401	.FUSE (30A)	2	
15	36612-96J00	.CAP, TERMINAL	1	
16	36618-43410	.CAP, OIL PRESSURE SWITCH	1	
17	08310-00067	NUT	1	
18	08321-01067	WASHER	1	
19	09407-14403	CLAMP (L:125)	1	
20	09407-14407	CLAMP (L:145)	1	
21	36617-88L00	BRACKET, HARNESS	2	
22	36617-88L10	BRACKET, HARNESS	1	
23	36617-93J10	BRACKET, HARNESS	2	
24	01550-06127	BOLT	5	
25	09407-18402	CLAMP (L:165)	1	

FIG.228

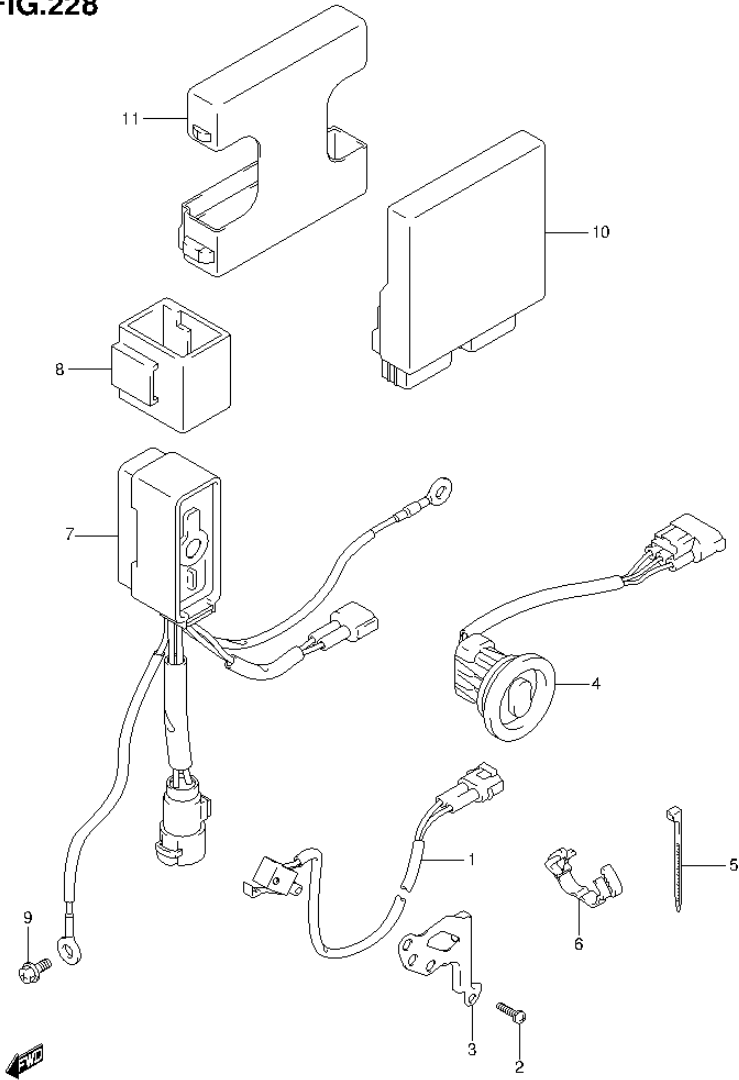


FIG.228 (2-I-14) PTT SWITCH/ENGINE CONTROL UNIT (DF40A E01)

REF NO.	PART NO.	DESCRIPTION	Q'TY	REMARKS
1	37721-93J00	SWITCH ASSY, NEUTRAL	1	
2	09137-04004	SCREW (4X16)	2	
3	37725-88L00	BRACKET, NEUTRAL SWITCH	1	
4	37850-99E04	SWITCH ASSY, PTT	1	
5	09407-10404	CLAMP (L:100)	1	
6	09408-00184	CLAMP	1	
7	38410-93J12	RELAY ASSY, PTT	1	
8	38415-93J00	HOLDER, PTT RELAY	1	
9	01550-06127	BOLT	1	
10	33930-88L20	UNIT, ENGINE CONTROL	1	
11	33925-88L10	CUSHION, ENGINE CONTROL UNIT	1	

FIG.229

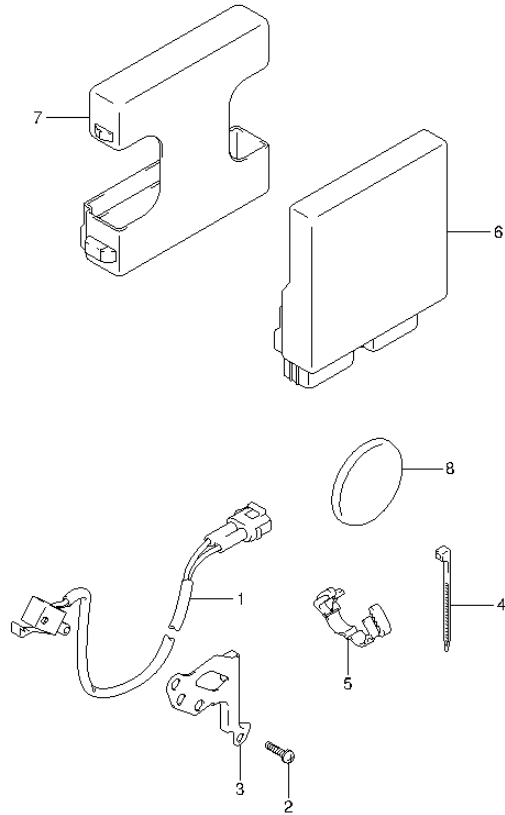


FIG.229 (2-I-15) PTT SWITCH/ENGINE CONTROL UNIT (DF40AQH E01)

REF NO.	PART NO.	DESCRIPTION	Q'TY	REMARKS
1	37721-93J00	SWITCH ASSY, NEUTRAL	1	
2	09137-04004	SCREW (4X16)	2	
3	37725-88L00	BRACKET, NEUTRAL SWITCH	1	
4	09407-10404	CLAMP (L:100)	1	
5	09408-00184	CLAMP	1	
6	33930-88L20	UNIT, ENGINE CONTROL	1	
7	33925-88L10	CUSHION, ENGINE CONTROL UNIT	1	
8	09250-40002	CAP (OD:52)	1	



FIG.230

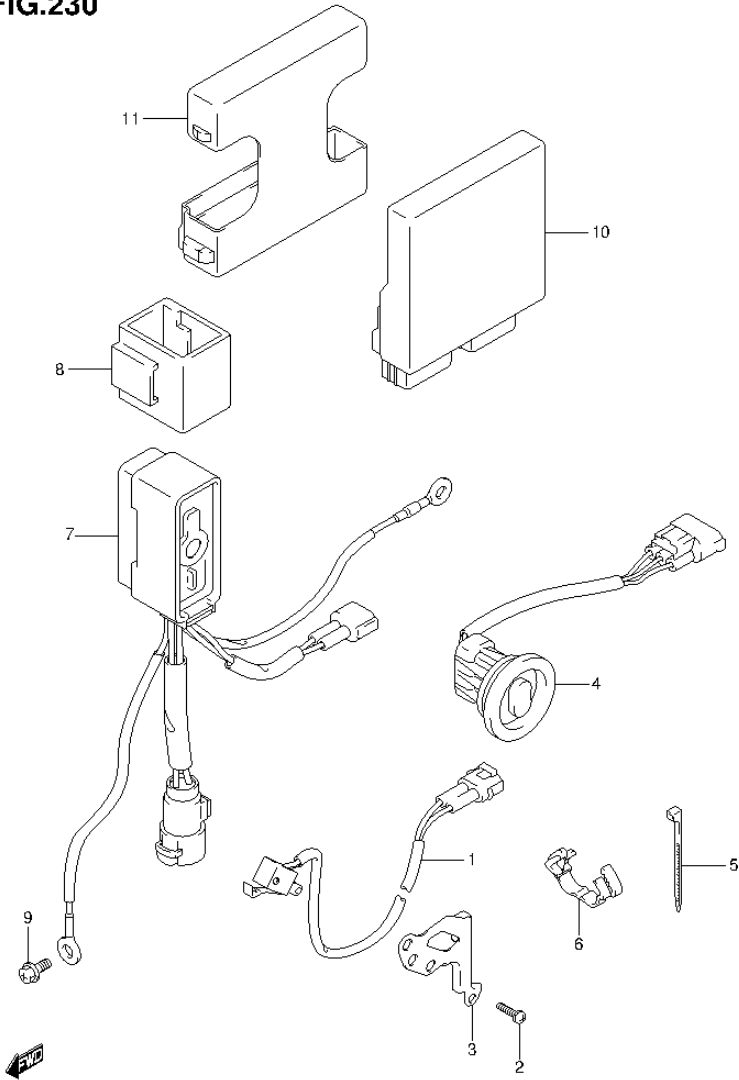


FIG.230 (2-J-2) PTT SWITCH/ENGINE CONTROL UNIT (DF40ATH E01)

REF NO.	PART NO.	DESCRIPTION	Q'TY	REMARKS
1	37721-93J00	SWITCH ASSY, NEUTRAL	1	
2	09137-04004	SCREW (4X16)	2	
3	37725-88L00	BRACKET, NEUTRAL SWITCH	1	
4	37850-99E04	SWITCH ASSY, PTT	1	
5	09407-10404	CLAMP (L:100)	1	
6	09408-00184	CLAMP	1	
7	38410-93J12	RELAY ASSY, PTT	1	
8	38415-93J00	HOLDER, PTT RELAY	1	
9	01550-06127	BOLT	1	
10	33930-88L20	UNIT, ENGINE CONTROL	1	
11	33925-88L10	CUSHION, ENGINE CONTROL UNIT	1	

FIG.231

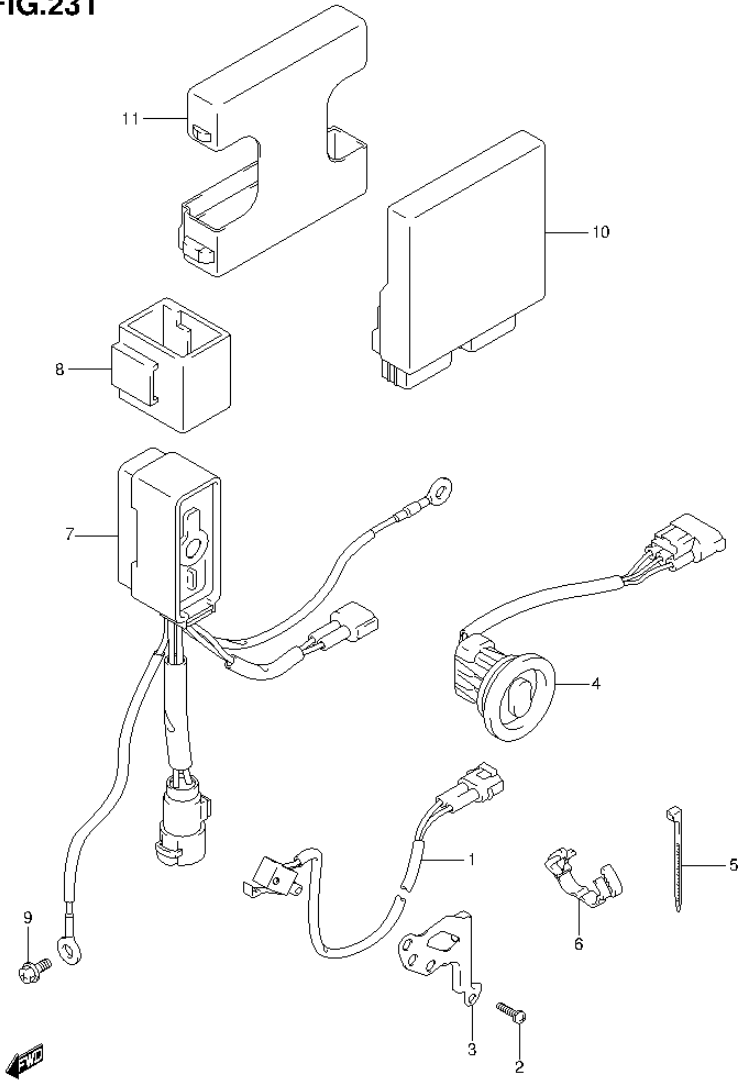


FIG.231 (2-J-3) PTT SWITCH/ENGINE CONTROL UNIT (DF40AST E34)

REF NO.	PART NO.	DESCRIPTION	Q'TY	REMARKS
1	37721-93J00	SWITCH ASSY, NEUTRAL	1	
2	09137-04004	SCREW (4X16)	2	
3	37725-88L00	BRACKET, NEUTRAL SWITCH	1	
4	37850-99E04	SWITCH ASSY, PTT	1	
5	09407-10404	CLAMP (L:100)	1	
6	09408-00184	CLAMP	1	
7	38410-93J12	RELAY ASSY, PTT	1	
8	38415-93J00	HOLDER, PTT RELAY	1	
9	01550-06127	BOLT	1	
10	33930-88L30	UNIT, ENGINE CONTROL	1	
11	33925-88L10	CUSHION, ENGINE CONTROL UNIT	1	

FIG.232

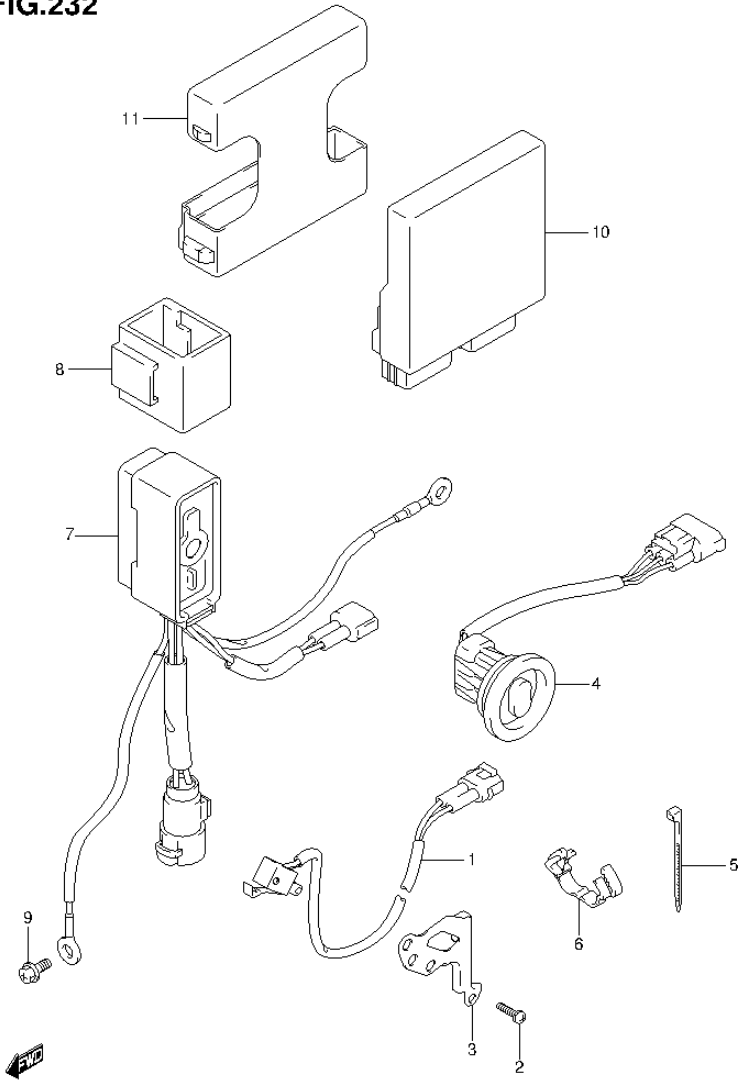


FIG.232 (2-J-4) PTT SWITCH/ENGINE CONTROL UNIT (DF50A E01)

REF NO.	PART NO.	DESCRIPTION	Q'TY	REMARKS
1	37721-93J00	SWITCH ASSY, NEUTRAL	1	
2	09137-04004	SCREW (4X16)	2	
3	37725-88L00	BRACKET, NEUTRAL SWITCH	1	
4	37850-99E04	SWITCH ASSY, PTT	1	
5	09407-10404	CLAMP (L:100)	1	
6	09408-00184	CLAMP	1	
7	38410-93J12	RELAY ASSY, PTT	1	
8	38415-93J00	HOLDER, PTT RELAY	1	
9	01550-06127	BOLT	1	
10	33930-88L40	UNIT, ENGINE CONTROL	1	
11	33925-88L10	CUSHION, ENGINE CONTROL UNIT	1	

FIG.233

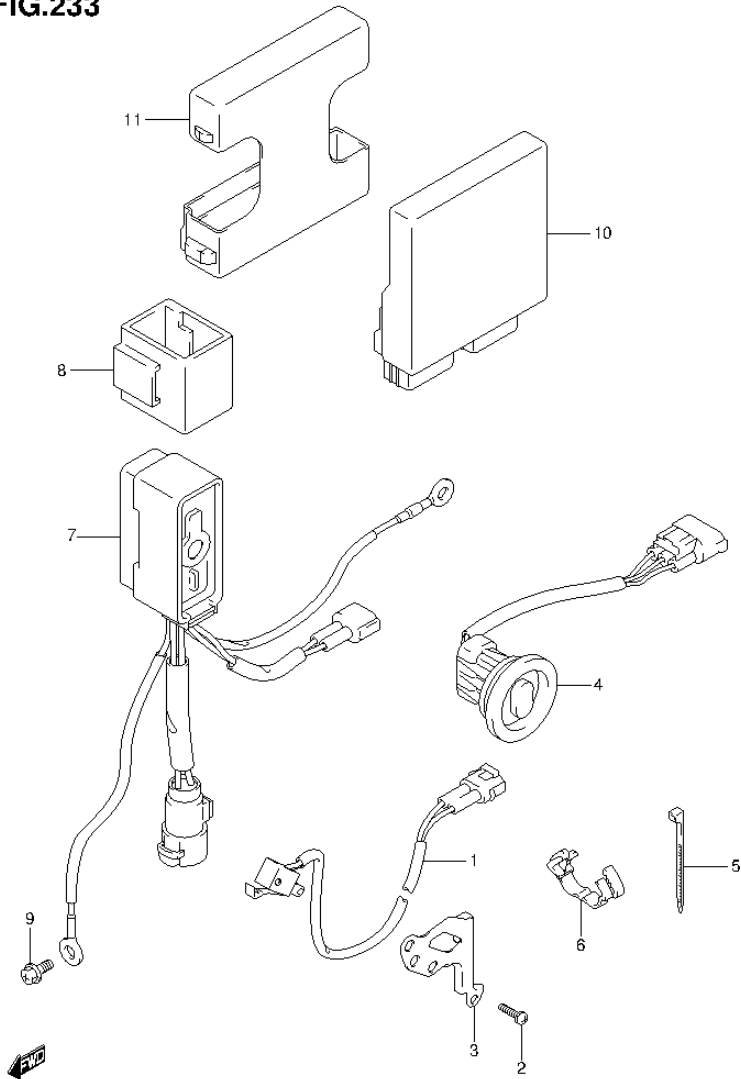


FIG.233 (2-J-5) PTT SWITCH/ENGINE CONTROL UNIT (DF50ATH E01)

REF NO.	PART NO.	DESCRIPTION	Q'TY	REMARKS
1	37721-93J00	SWITCH ASSY, NEUTRAL	1	
2	09137-04004	SCREW (4X16)	2	
3	37725-88L00	BRACKET, NEUTRAL SWITCH	1	
4	37850-99E04	SWITCH ASSY, PTT	1	
5	09407-10404	CLAMP (L:100)	1	
6	09408-00184	CLAMP	1	
7	38410-93J12	RELAY ASSY, PTT	1	
8	38415-93J00	HOLDER, PTT RELAY	1	
9	01550-06127	BOLT	1	
10	33930-88L40	UNIT, ENGINE CONTROL	1	
11	33925-88L10	CUSHION, ENGINE CONTROL UNIT	1	

FIG.234

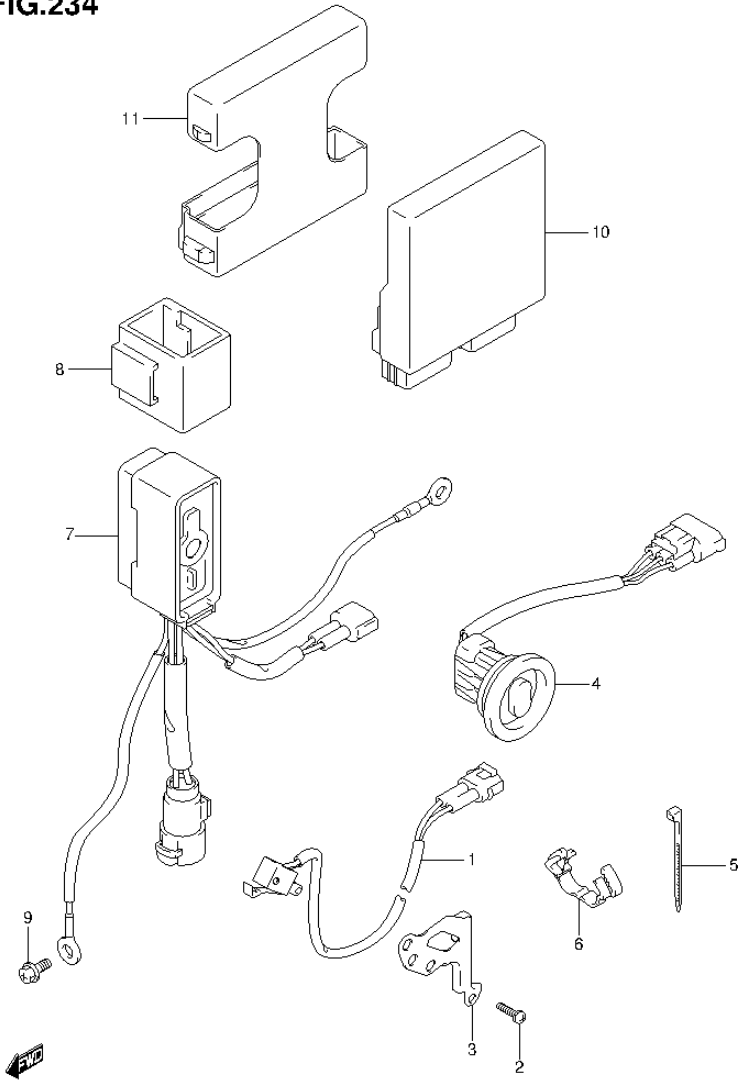


FIG.234 (2-J-6) PTT SWITCH/ENGINE CONTROL UNIT (DF60A E01)

REF NO.	PART NO.	DESCRIPTION	Q'TY	REMARKS
1	37721-93J00	SWITCH ASSY, NEUTRAL	1	
2	09137-04004	SCREW (4X16)	2	
3	37725-88L00	BRACKET, NEUTRAL SWITCH	1	
4	37850-99E04	SWITCH ASSY, PTT	1	
5	09407-10404	CLAMP (L:100)	1	
6	09408-00184	CLAMP	1	
7	38410-93J12	RELAY ASSY, PTT	1	
8	38415-93J00	HOLDER, PTT RELAY	1	
9	01550-06127	BOLT	1	
10	33930-88L00	UNIT, ENGINE CONTROL	1	
11	33925-88L10	CUSHION, ENGINE CONTROL UNIT	1	

FIG.235

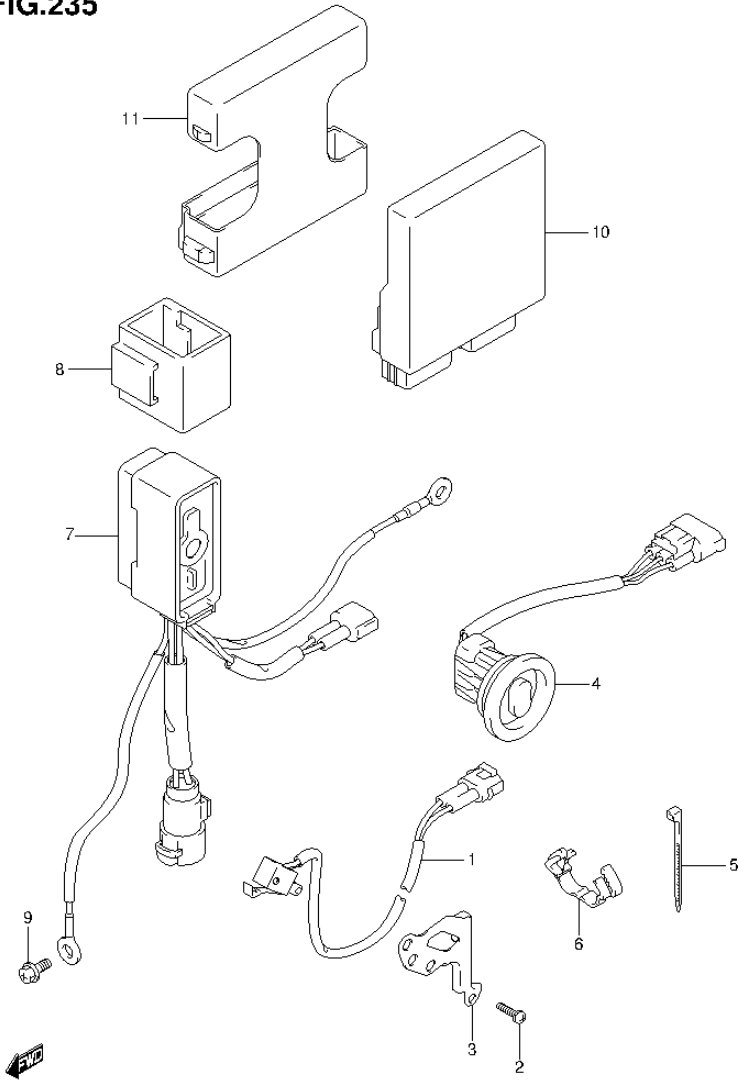


FIG.235 (2-J-7) PTT SWITCH/ENGINE CONTROL UNIT (DF60A E40)

REF NO.	PART NO.	DESCRIPTION	Q'TY	REMARKS
1	37721-93J00	SWITCH ASSY, NEUTRAL	1	
2	09137-04004	SCREW (4X16)	2	
3	37725-88L00	BRACKET, NEUTRAL SWITCH	1	
4	37850-99E04	SWITCH ASSY, PTT	1	
5	09407-10404	CLAMP (L:100)	1	
6	09408-00184	CLAMP	1	
7	38410-93J12	RELAY ASSY, PTT	1	
8	38415-93J00	HOLDER, PTT RELAY	1	
9	01550-06127	BOLT	1	
10	33930-88L10	UNIT, ENGINE CONTROL	1	
11	33925-88L10	CUSHION, ENGINE CONTROL UNIT	1	

FIG.236

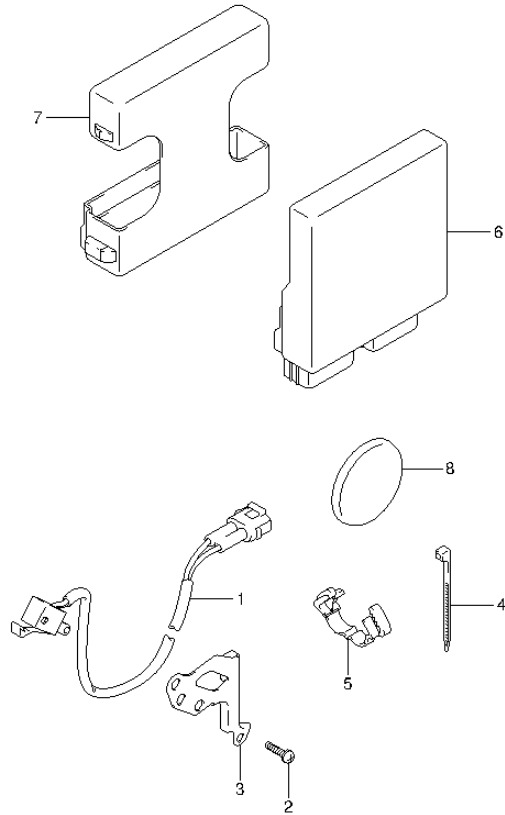


FIG.236 (2-J-8) PTT SWITCH/ENGINE CONTROL UNIT (DF60AQH E01)

REF NO.	PART NO.	DESCRIPTION	Q'TY	REMARKS
1	37721-93J00	SWITCH ASSY, NEUTRAL	1	
2	09137-04004	SCREW (4X16)	2	
3	37725-88L00	BRACKET, NEUTRAL SWITCH	1	
4	09407-10404	CLAMP (L:100)	1	
5	09408-00184	CLAMP	1	
6	33930-88L00	UNIT, ENGINE CONTROL	1	
7	33925-88L10	CUSHION, ENGINE CONTROL UNIT	1	
8	09250-40002	CAP (OD:52)	1	



FIG.237

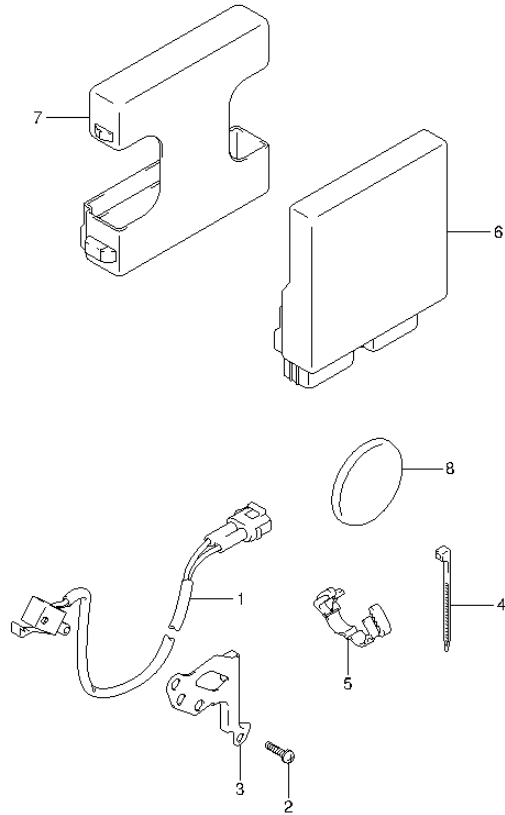


FIG.237 (2-J-9) PTT SWITCH/ENGINE CONTROL UNIT (DF60AQH E40)

REF NO.	PART NO.	DESCRIPTION	Q'TY	REMARKS
1	37721-93J00	SWITCH ASSY, NEUTRAL	1	
2	09137-04004	SCREW (4X16)	2	
3	37725-88L00	BRACKET, NEUTRAL SWITCH	1	
4	09407-10404	CLAMP (L:100)	1	
5	09408-00184	CLAMP	1	
6	33930-88L10	UNIT, ENGINE CONTROL	1	
7	33925-88L10	CUSHION, ENGINE CONTROL UNIT	1	
8	09250-40002	CAP (OD:52)	1	



FIG.238

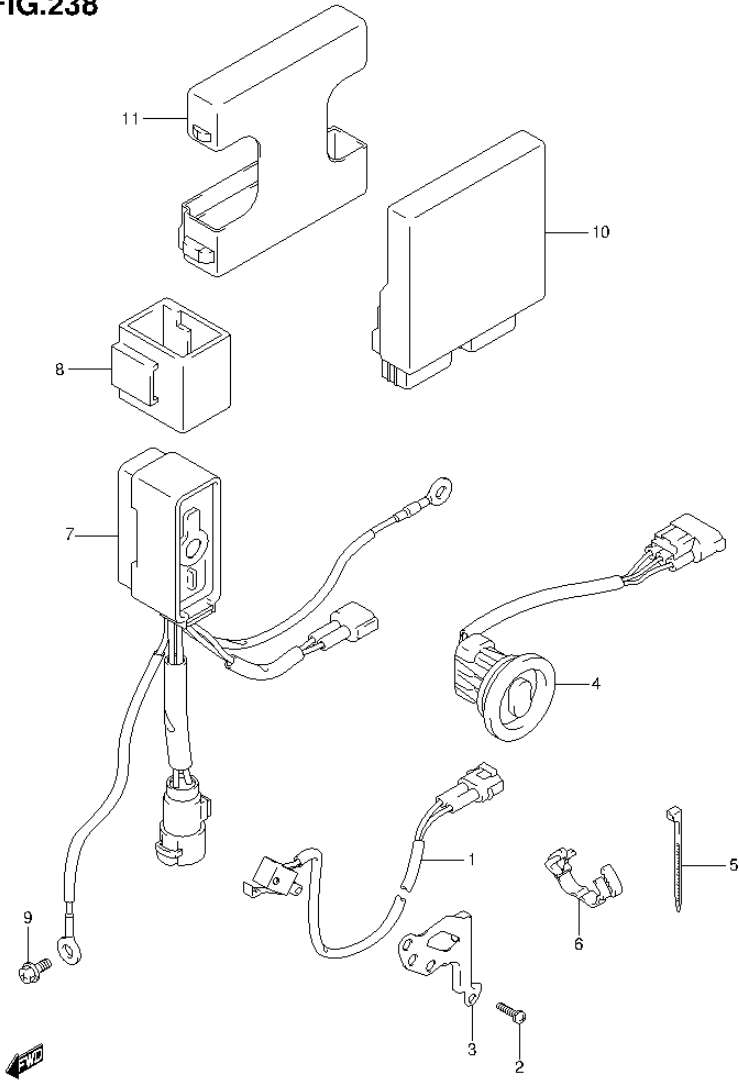


FIG.238 (2-J-10) PTT SWITCH/ENGINE CONTROL UNIT (DF60ATH E01)

REF NO.	PART NO.	DESCRIPTION	Q'TY	REMARKS
1	37721-93J00	SWITCH ASSY, NEUTRAL	1	
2	09137-04004	SCREW (4X16)	2	
3	37725-88L00	BRACKET, NEUTRAL SWITCH	1	
4	37850-99E04	SWITCH ASSY, PTT	1	
5	09407-10404	CLAMP (L:100)	1	
6	09408-00184	CLAMP	1	
7	38410-93J12	RELAY ASSY, PTT	1	
8	38415-93J00	HOLDER, PTT RELAY	1	
9	01550-06127	BOLT	1	
10	33930-88L00	UNIT, ENGINE CONTROL	1	
11	33925-88L10	CUSHION, ENGINE CONTROL UNIT	1	

FIG.239

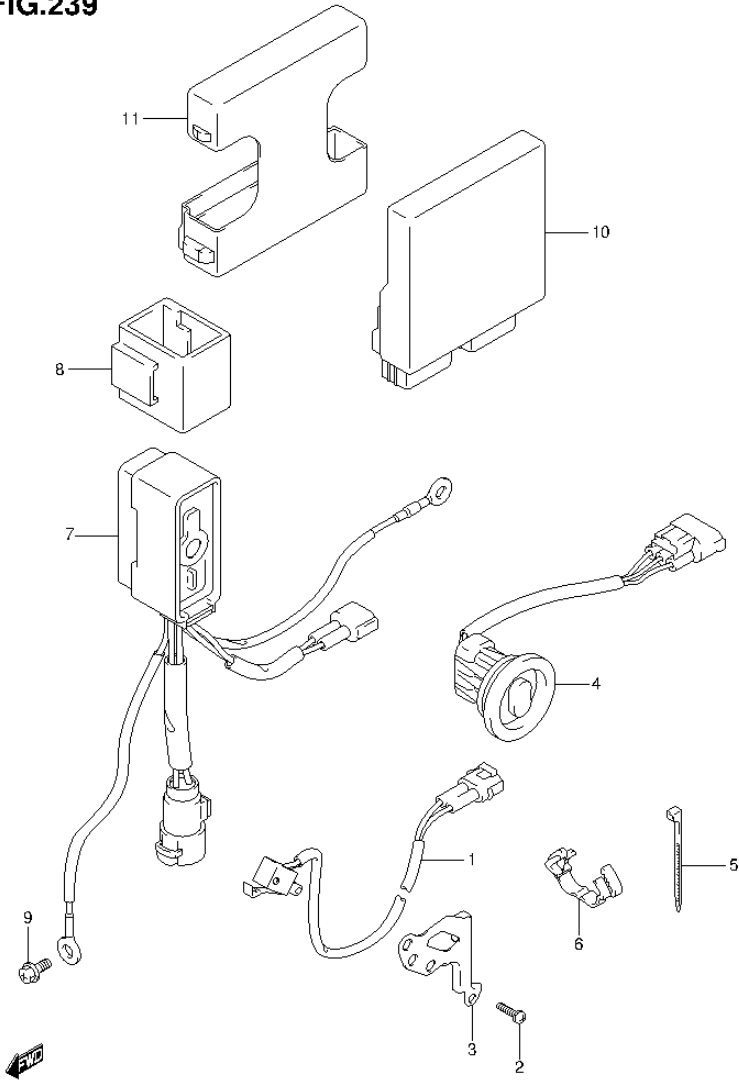


FIG.239 (2-J-11) PTT SWITCH/ENGINE CONTROL UNIT (DF60ATH E40)

REF NO.	PART NO.	DESCRIPTION	Q'TY	REMARKS
1	37721-93J00	SWITCH ASSY, NEUTRAL	1	
2	09137-04004	SCREW (4X16)	2	
3	37725-88L00	BRACKET, NEUTRAL SWITCH	1	
4	37850-99E04	SWITCH ASSY, PTT	1	
5	09407-10404	CLAMP (L:100)	1	
6	09408-00184	CLAMP	1	
7	38410-93J12	RELAY ASSY, PTT	1	
8	38415-93J00	HOLDER, PTT RELAY	1	
9	01550-06127	BOLT	1	
10	33930-88L10	UNIT, ENGINE CONTROL	1	
11	33925-88L10	CUSHION, ENGINE CONTROL UNIT	1	

FIG.240

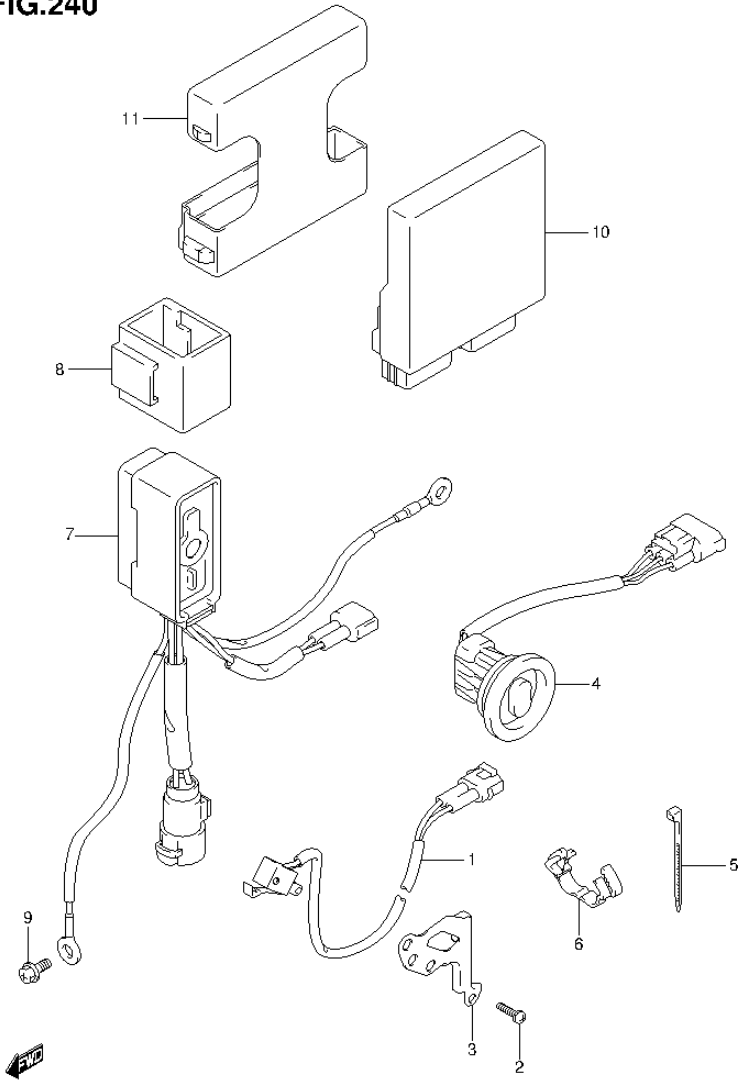


FIG.240 (2-J-12) PTT SWITCH/ENGINE CONTROL UNIT (DF50AVT E01)

REF NO.	PART NO.	DESCRIPTION	Q'TY	REMARKS
1	37721-93J00	SWITCH ASSY, NEUTRAL	1	
2	09137-04004	SCREW (4X16)	2	
3	37725-88L00	BRACKET, NEUTRAL SWITCH	1	
4	37850-99E04	SWITCH ASSY, PTT	1	
5	09407-10404	CLAMP (L:100)	1	
6	09408-00184	CLAMP	1	
7	38410-93J12	RELAY ASSY, PTT	1	
8	38415-93J00	HOLDER, PTT RELAY	1	
9	01550-06127	BOLT	1	
10	33930-88L90	UNIT, ENGINE CONTROL	1	
11	33925-88L10	CUSHION, ENGINE CONTROL UNIT	1	

FIG.241

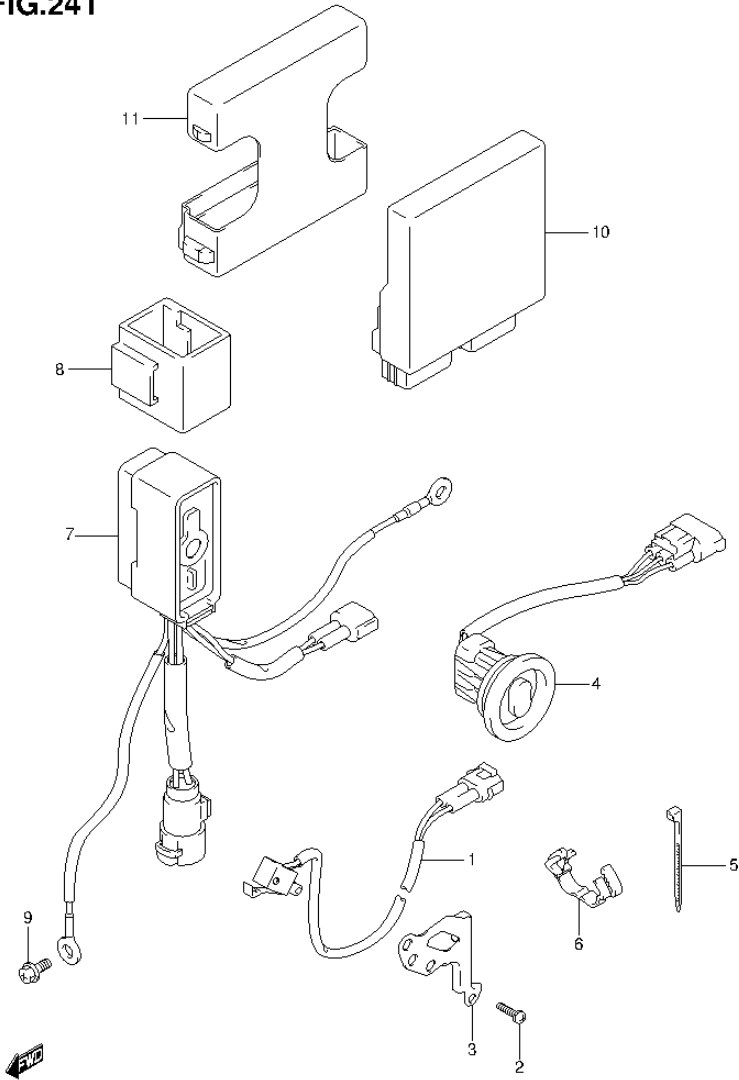


FIG.241 (2-J-13) PTT SWITCH/ENGINE CONTROL UNIT (DF50AVTH E01)

REF NO.	PART NO.	DESCRIPTION	Q'TY	REMARKS
1	37721-93J00	SWITCH ASSY, NEUTRAL	1	
2	09137-04004	SCREW (4X16)	2	
3	37725-88L00	BRACKET, NEUTRAL SWITCH	1	
4	37850-99E04	SWITCH ASSY, PTT	1	
5	09407-10404	CLAMP (L:100)	1	
6	09408-00184	CLAMP	1	
7	38410-93J12	RELAY ASSY, PTT	1	
8	38415-93J00	HOLDER, PTT RELAY	1	
9	01550-06127	BOLT	1	
10	33930-88L90	UNIT, ENGINE CONTROL	1	
11	33925-88L10	CUSHION, ENGINE CONTROL UNIT	1	

FIG.242

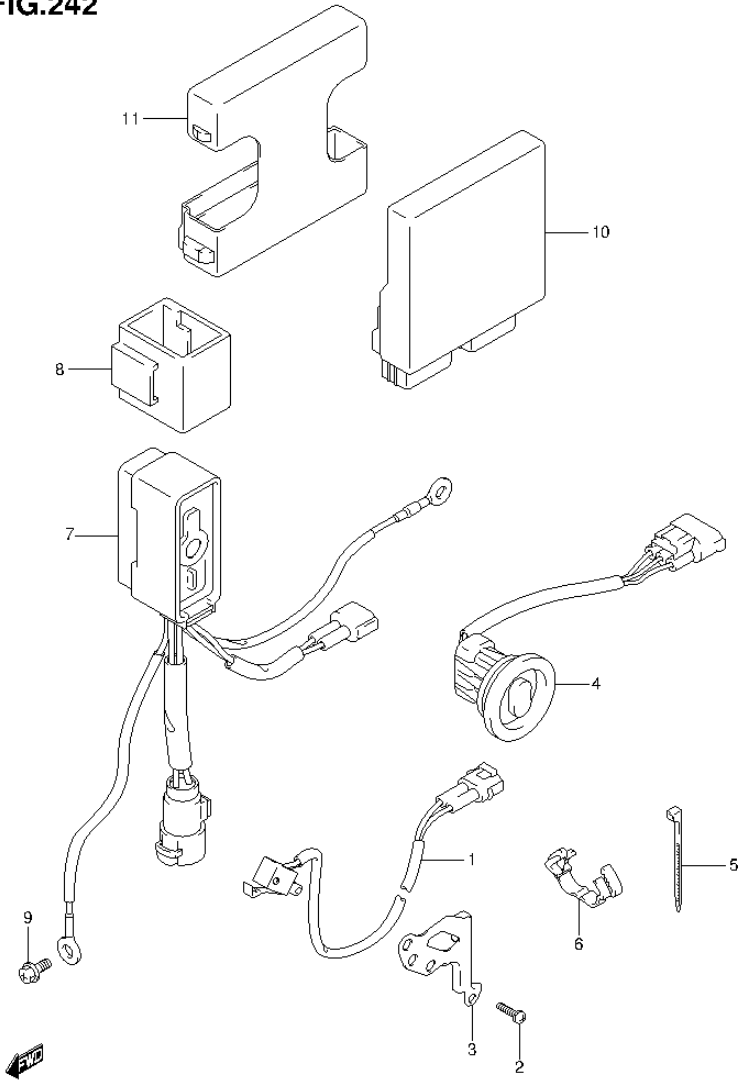


FIG.242 (2-J-14) PTT SWITCH/ENGINE CONTROL UNIT (DF60AVT E01)

REF NO.	PART NO.	DESCRIPTION	Q'TY	REMARKS
1	37721-93J00	SWITCH ASSY, NEUTRAL	1	
2	09137-04004	SCREW (4X16)	2	
3	37725-88L00	BRACKET, NEUTRAL SWITCH	1	
4	37850-99E04	SWITCH ASSY, PTT	1	
5	09407-10404	CLAMP (L:100)	1	
6	09408-00184	CLAMP	1	
7	38410-93J12	RELAY ASSY, PTT	1	
8	38415-93J00	HOLDER, PTT RELAY	1	
9	01550-06127	BOLT	1	
10	33930-88L50	UNIT, ENGINE CONTROL	1	
11	33925-88L10	CUSHION, ENGINE CONTROL UNIT	1	

FIG.243

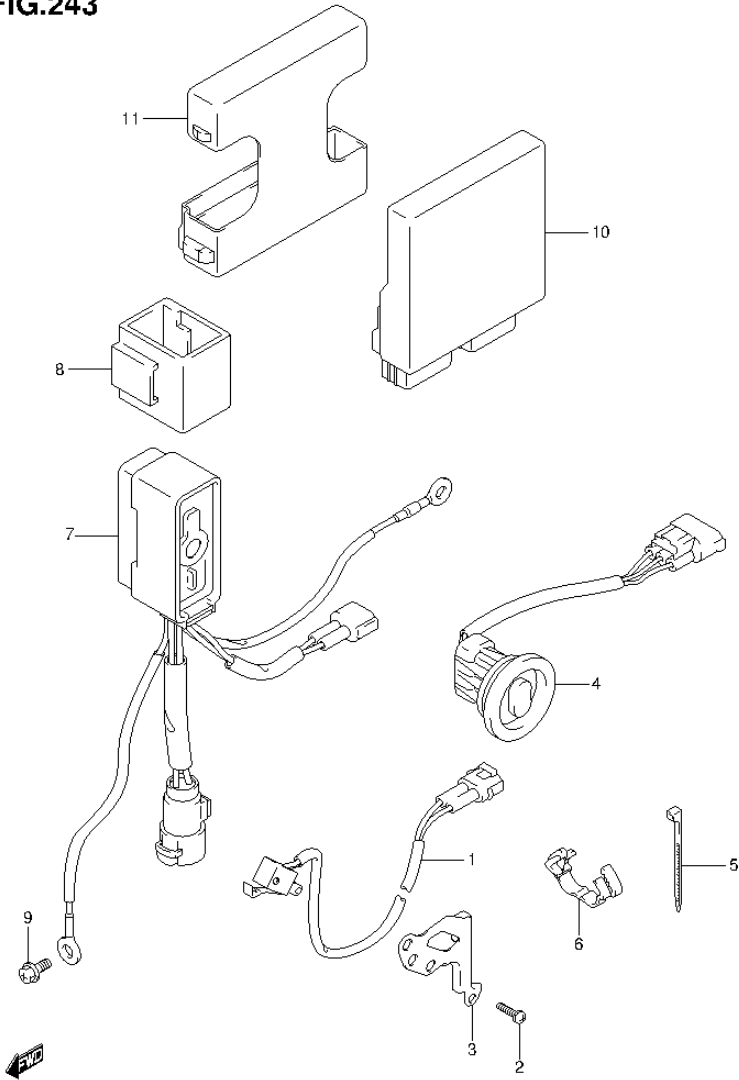


FIG.243 (2-J-15) PTT SWITCH/ENGINE CONTROL UNIT (DF60AVT E40)

REF NO.	PART NO.	DESCRIPTION	Q'TY	REMARKS
1	37721-93J00	SWITCH ASSY, NEUTRAL	1	
2	09137-04004	SCREW (4X16)	2	
3	37725-88L00	BRACKET, NEUTRAL SWITCH	1	
4	37850-99E04	SWITCH ASSY, PTT	1	
5	09407-10404	CLAMP (L:100)	1	
6	09408-00184	CLAMP	1	
7	38410-93J12	RELAY ASSY, PTT	1	
8	38415-93J00	HOLDER, PTT RELAY	1	
9	01550-06127	BOLT	1	
10	33930-88L60	UNIT, ENGINE CONTROL	1	
11	33925-88L10	CUSHION, ENGINE CONTROL UNIT	1	

FIG.244

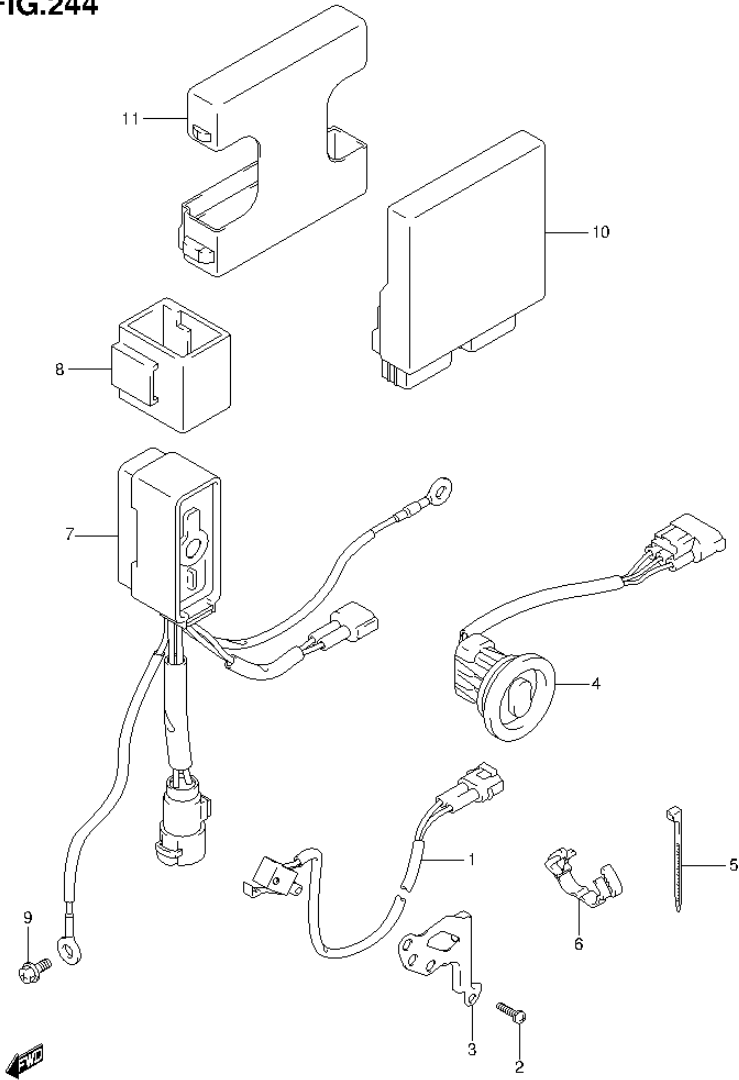


FIG.244 (2-K-2) PTT SWITCH/ENGINE CONTROL UNIT (DF60AVTH E01)

REF NO.	PART NO.	DESCRIPTION	Q'TY	REMARKS
1	37721-93J00	SWITCH ASSY, NEUTRAL	1	
2	09137-04004	SCREW (4X16)	2	
3	37725-88L00	BRACKET, NEUTRAL SWITCH	1	
4	37850-99E04	SWITCH ASSY, PTT	1	
5	09407-10404	CLAMP (L:100)	1	
6	09408-00184	CLAMP	1	
7	38410-93J12	RELAY ASSY, PTT	1	
8	38415-93J00	HOLDER, PTT RELAY	1	
9	01550-06127	BOLT	1	
10	33930-88L50	UNIT, ENGINE CONTROL	1	
11	33925-88L10	CUSHION, ENGINE CONTROL UNIT	1	

FIG.245

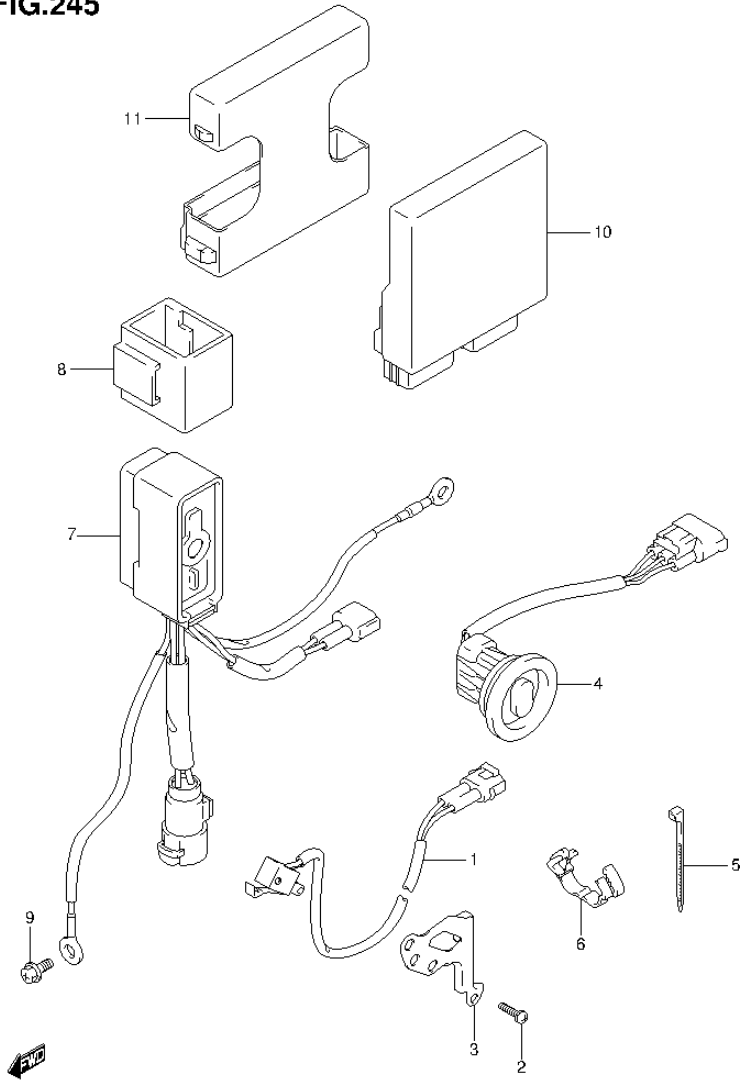


FIG.245 (2-K-3) PTT SWITCH/ENGINE CONTROL UNIT (DF60AVTH E40)

REF NO.	PART NO.	DESCRIPTION	Q'TY	REMARKS
1	37721-93J00	SWITCH ASSY, NEUTRAL	1	
2	09137-04004	SCREW (4X16)	2	
3	37725-88L00	BRACKET, NEUTRAL SWITCH	1	
4	37850-99E04	SWITCH ASSY, PTT	1	
5	09407-10404	CLAMP (L:100)	1	
6	09408-00184	CLAMP	1	
7	38410-93J12	RELAY ASSY, PTT	1	
8	38415-93J00	HOLDER, PTT RELAY	1	
9	01550-06127	BOLT	1	
10	33930-88L60	UNIT, ENGINE CONTROL	1	
11	33925-88L10	CUSHION, ENGINE CONTROL UNIT	1	

FIG.247

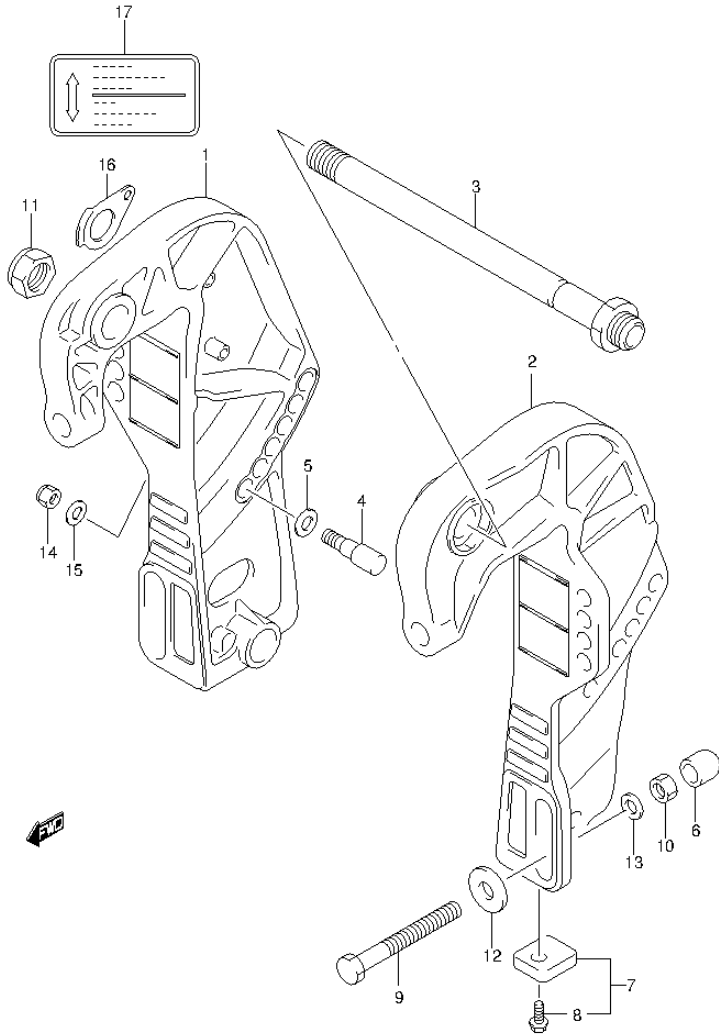


FIG.247 (2-K-5) CLAMP BRACKET (DF40AQH E01)

REF NO.	PART NO.	DESCRIPTION	Q'TY	REMARKS
1	41111-89J21-0EP	BRACKET, CLAMP STBD (BLACK)	1	
2	41121-89J15-0EP	BRACKET, CLAMP PORT (BLACK)	1	
3	41130-87J11	SHAFT, CLAMP BRACKET	1	
4	45421-89J00	PIN, TILT LOCK	2	
5	09160-12066	WASHER (12.5X22X2.5)	2	
6	41153-94500	CAP, TRANSOM BOLT	4	
7	55320-95311	ZINC, PROTECTION	2	
8	09116-06236	.BOLT (6X16)	2	
9-1	09100-12093	BOLT (12X100)	4	
9-2	09100-12091	BOLT (12X115)	1	OPT
10	09159-12014	NUT	4	
11	09159-22006	NUT	1	
12	09160-12044	WASHER (12.5X35X3.2)	4	
13	09160-12126	WASHER	4	
14	09159-10050	NUT	2	
15	09160-10082	WASHER (10.5X19X2)	2	
16	41135-93J00	WASHER, CLAMP BRACKET SHAFT	1	
17	43241-87J00	MARK, RELEASE LEVER	1	

FIG.248

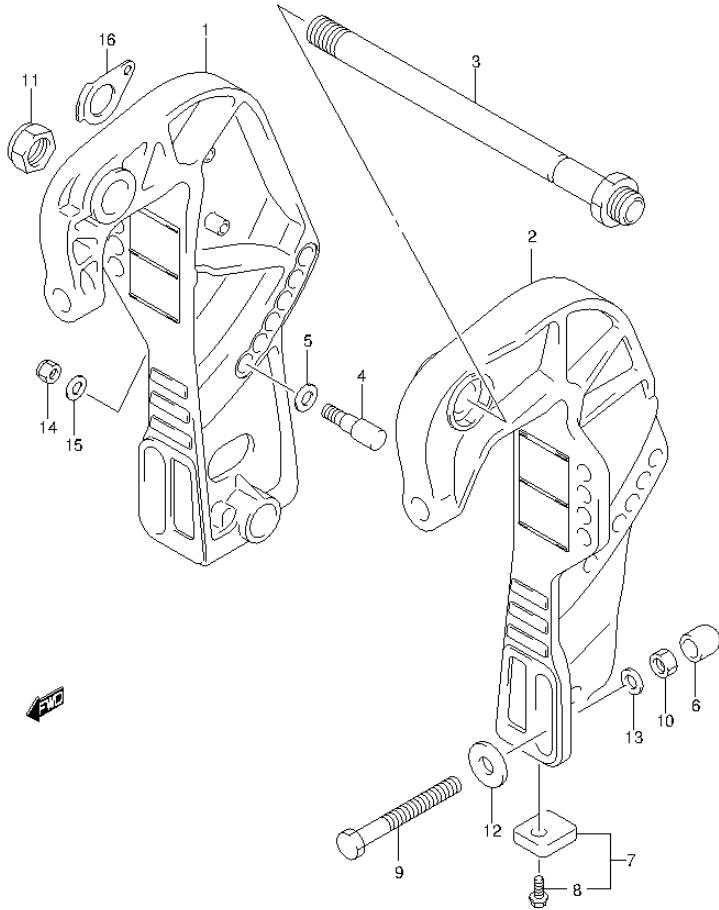


FIG.248 (2-K-6) CLAMP BRACKET (DF40ATH E01)

REF NO.	PART NO.	DESCRIPTION	Q'TY	REMARKS
1	41111-89J21-0EP	BRACKET, CLAMP STBD (BLACK)	1	
2	41121-89J15-0EP	BRACKET, CLAMP PORT (BLACK)	1	
3	41130-87J11	SHAFT, CLAMP BRACKET	1	
4	45421-89J00	PIN, TILT LOCK	2	
5	09160-12066	WASHER (12.5X22X2.5)	2	
6	41153-94500	CAP, TRANSOM BOLT	4	
7	55320-95311	ZINC, PROTECTION	2	
8	09116-06236	.BOLT (6X16)	2	
9-1	09100-12093	BOLT (12X100)	4	
9-2	09100-12091	BOLT (12X115)	1	OPT
10	09159-12014	NUT	4	
11	09159-22006	NUT	1	
12	09160-12044	WASHER (12.5X35X3.2)	4	
13	09160-12126	WASHER	4	
14	09159-10050	NUT	2	
15	09160-10082	WASHER (10.5X19X2)	2	
16	41135-93J00	WASHER, CLAMP BRACKET SHAFT	1	

FIG.249

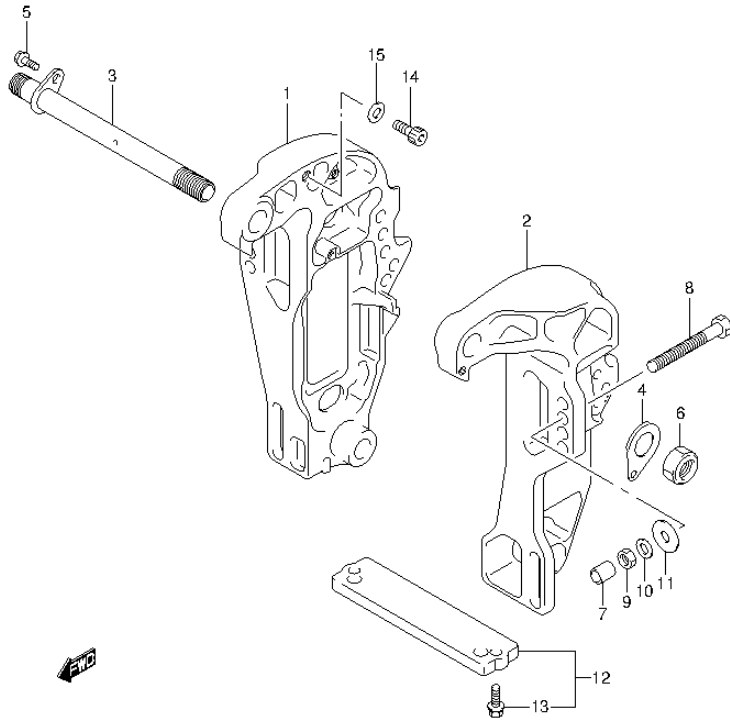


FIG.249 (2-K-7) CLAMP BRACKET (DF40AST E34)

REF NO.	PART NO.	DESCRIPTION	Q'TY	REMARKS
1	41111-88L10-0EP	BRACKET, CLAMP STBD (BLACK)	1	
2	41121-88L01-0EP	BRACKET, CLAMP PORT (BLACK)	1	
3	41130-88L10	SHAFT, CLAMP BRACKET	1	
4	41135-93J00	WASHER, CLAMP BRACKET SHAFT	1	
5	09116-08137	BOLT (8X22)	1	
6	09159-22006	NUT	1	
7	41153-94500	CAP, TRANSOM BOLT	4	
8-1	09100-12093	BOLT (12X100)	4	
8-2	09100-12091	BOLT (12X115)	1	OPT
9	09159-12014	NUT	4	
10	09160-12126	WASHER	4	
11	09160-12044	WASHER (12.5X35X3.2)	4	
12	55320-94900	ZINC, PROTECTION	1	
13	09116-06121	BOLT (6X25)	2	
14	09106-10065	BOLT (10X20)	2	
15	09160-10082	WASHER (10.5X19X2)	2	

FIG.252

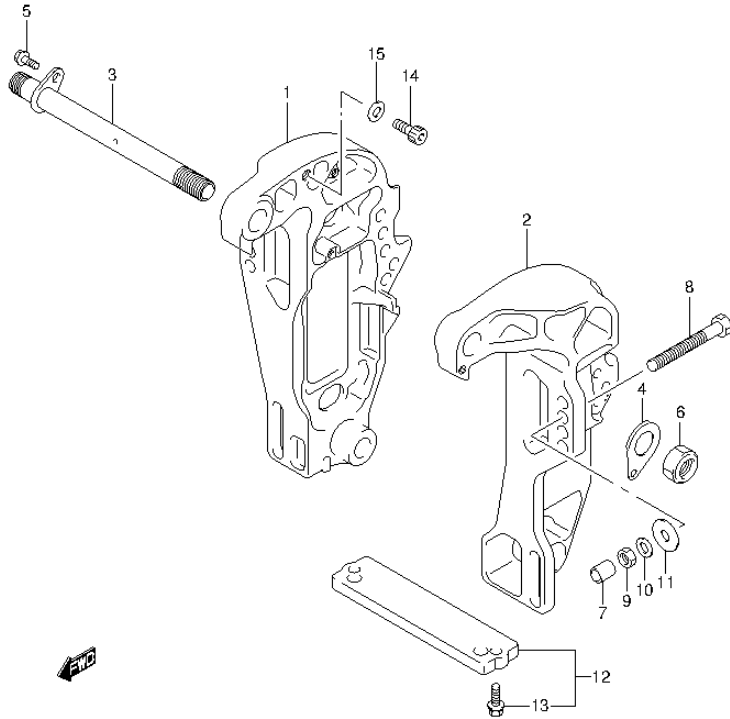


FIG.252 (2-K-10) CLAMP BRACKET (DF60A E01)

REF NO.	PART NO.	DESCRIPTION	Q'TY	REMARKS
1	41111-88L10-0EP	BRACKET, CLAMP STBD (BLACK)	1	
2	41121-88L01-0EP	BRACKET, CLAMP PORT (BLACK)	1	
3	41130-88L10	SHAFT, CLAMP BRACKET	1	
4	41135-93J00	WASHER, CLAMP BRACKET SHAFT	1	
5	09116-08137	BOLT (8X22)	1	
6	09159-22006	NUT	1	
7	41153-94500	CAP, TRANSOM BOLT	4	
8-1	09100-12093	BOLT (12X100)	4	
8-2	09100-12091	BOLT (12X115)	1	OPT
9	09159-12014	NUT	4	
10	09160-12126	WASHER	4	
11	09160-12044	WASHER (12.5X35X3.2)	4	
12	55320-94900	ZINC, PROTECTION	1	
13	09116-06121	.BOLT (6X25)	2	
14	09106-10065	BOLT (10X20)	2	
15	09160-10082	WASHER (10.5X19X2)	2	

FIG.253

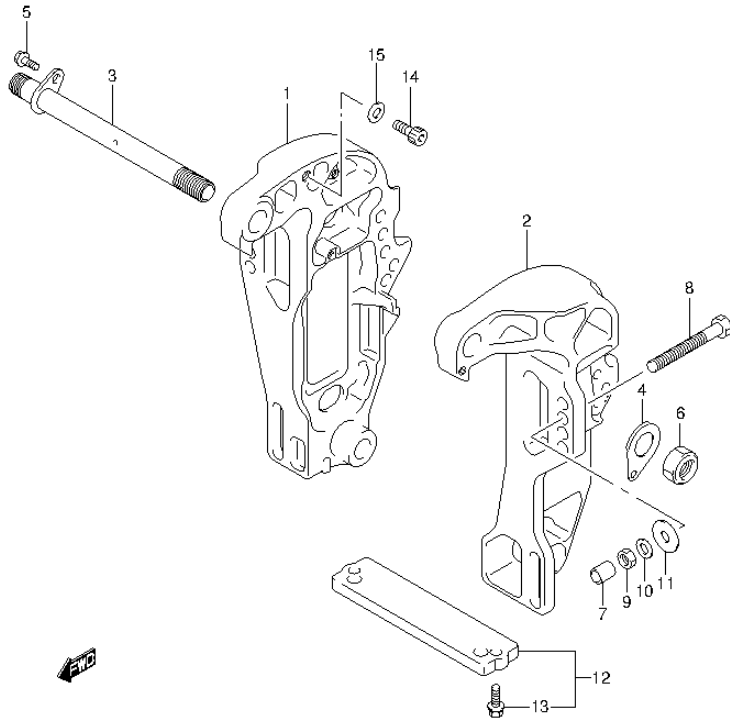


FIG.253 (2-K-11) CLAMP BRACKET (DF60A E40)

REF NO.	PART NO.	DESCRIPTION	Q'TY	REMARKS
1	41111-88L10-0EP	BRACKET, CLAMP STBD (BLACK)	1	
2	41121-88L01-0EP	BRACKET, CLAMP PORT (BLACK)	1	
3	41130-88L10	SHAFT, CLAMP BRACKET	1	
4	41135-93J00	WASHER, CLAMP BRACKET SHAFT	1	
5	09116-08137	BOLT (8X22)	1	
6	09159-22006	NUT	1	
7	41153-94500	CAP, TRANSOM BOLT	4	
8-1	09100-12093	BOLT (12X100)	4	
8-2	09100-12091	BOLT (12X115)	1	OPT
9	09159-12014	NUT	4	
10	09160-12126	WASHER	4	
11	09160-12044	WASHER (12.5X35X3.2)	4	
12	55320-94900	ZINC, PROTECTION	1	
13	09116-06121	BOLT (6X25)	2	
14	09106-10065	BOLT (10X20)	2	
15	09160-10082	WASHER (10.5X19X2)	2	

FIG.254

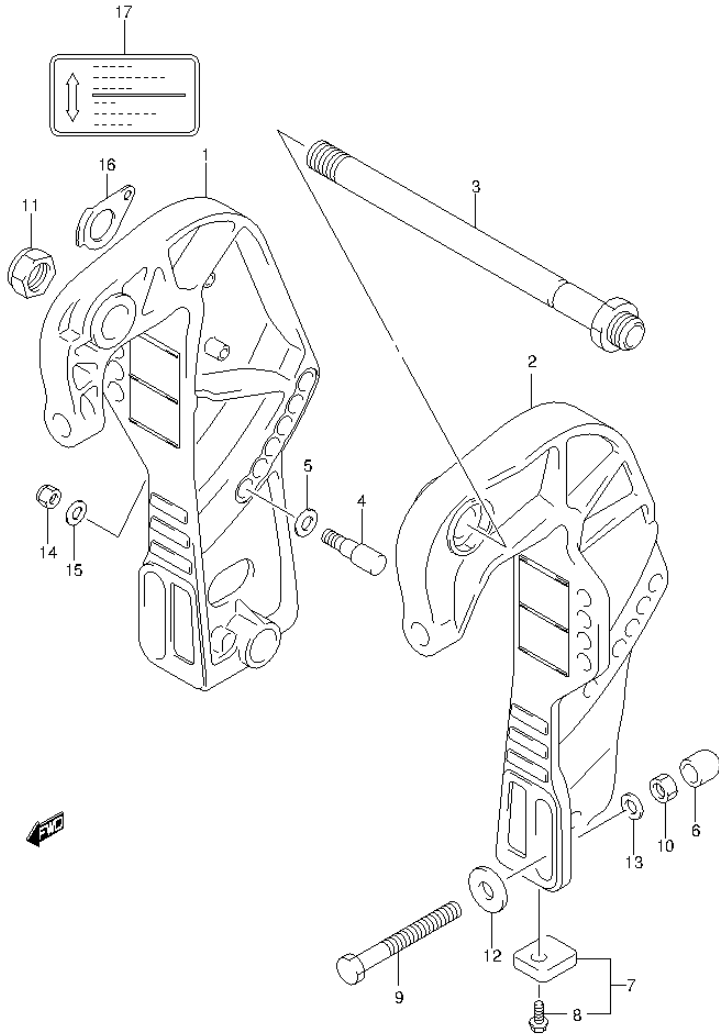


FIG.254 (2-K-12) CLAMP BRACKET (DF60AQH E01)

REF NO.	PART NO.	DESCRIPTION	Q'TY	REMARKS
1	41111-89J21-0EP	BRACKET, CLAMP STBD (BLACK)	1	
2	41121-89J15-0EP	BRACKET, CLAMP PORT (BLACK)	1	
3	41130-87J11	SHAFT, CLAMP BRACKET	1	
4	45421-89J00	PIN, TILT LOCK	2	
5	09160-12066	WASHER (12.5X22X2.5)	2	
6	41153-94500	CAP, TRANSOM BOLT	4	
7	55320-95311	ZINC, PROTECTION	2	
8	09116-06236	.BOLT (6X16)	2	
9-1	09100-12093	BOLT (12X100)	4	
9-2	09100-12091	BOLT (12X115)	1	OPT
10	09159-12014	NUT	4	
11	09159-22006	NUT	1	
12	09160-12044	WASHER (12.5X35X3.2)	4	
13	09160-12126	WASHER	4	
14	09159-10050	NUT	2	
15	09160-10082	WASHER (10.5X19X2)	2	
16	41135-93J00	WASHER, CLAMP BRACKET SHAFT	1	
17	43241-87J00	MARK, RELEASE LEVER	1	

FIG.255

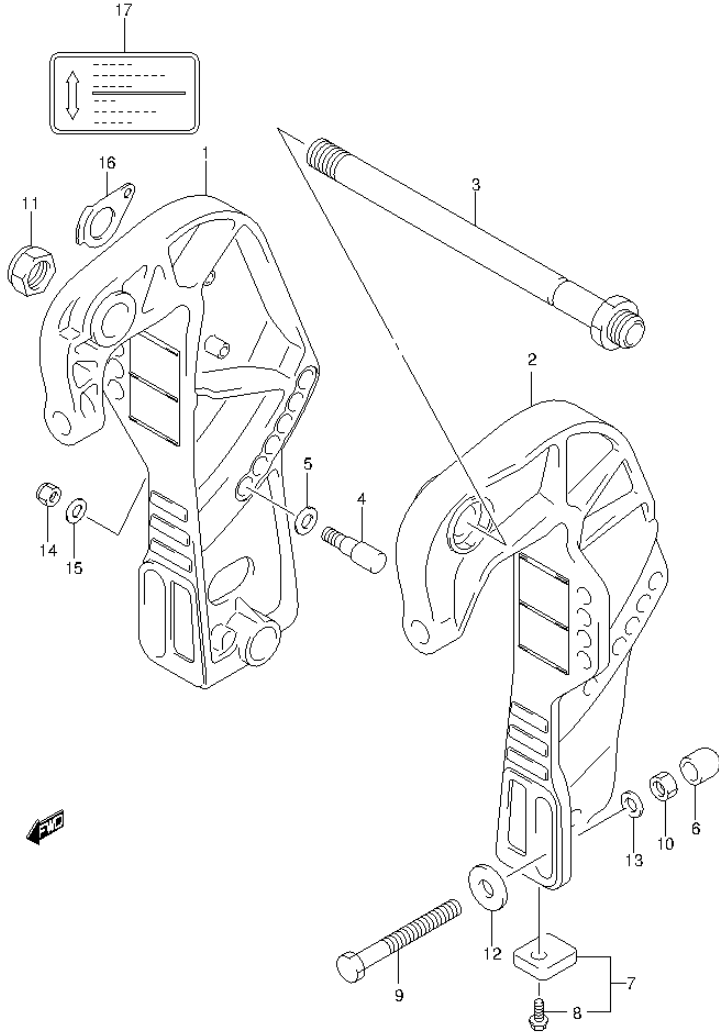


FIG.255 (2-K-13) CLAMP BRACKET (DF60AQH E40)

REF NO.	PART NO.	DESCRIPTION	Q'TY	REMARKS
1	41111-89J21-0EP	BRACKET, CLAMP STBD (BLACK)	1	
2	41121-89J15-0EP	BRACKET, CLAMP PORT (BLACK)	1	
3	41130-87J11	SHAFT, CLAMP BRACKET	1	
4	45421-89J00	PIN, TILT LOCK	2	
5	09160-12066	WASHER (12.5X22X2.5)	2	
6	41153-94500	CAP, TRANSOM BOLT	4	
7	55320-95311	ZINC, PROTECTION	2	
8	09116-06236	.BOLT (6X16)	2	
9-1	09100-12093	BOLT (12X100)	4	
9-2	09100-12091	BOLT (12X115)	1	OPT
10	09159-12014	NUT	4	
11	09159-22006	NUT	1	
12	09160-12044	WASHER (12.5X35X3.2)	4	
13	09160-12126	WASHER	4	
14	09159-10050	NUT	2	
15	09160-10082	WASHER (10.5X19X2)	2	
16	41135-93J00	WASHER, CLAMP BRACKET SHAFT	1	
17	43241-87J00	MARK, RELEASE LEVER	1	

FIG.256

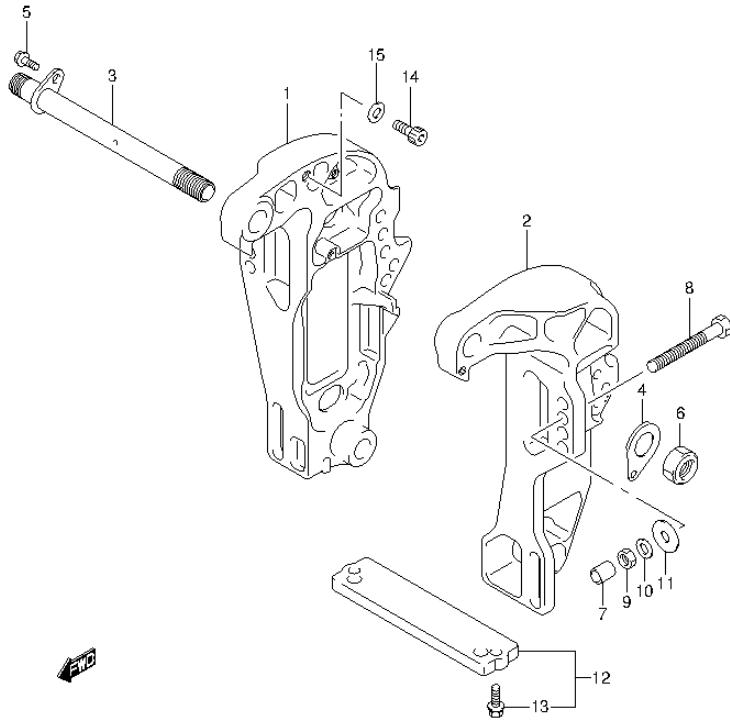


FIG.256 (2-K-14) CLAMP BRACKET (DF60ATH E01)

REF NO.	PART NO.	DESCRIPTION	Q'TY	REMARKS
1	41111-88L10-0EP	BRACKET, CLAMP STBD (BLACK)	1	
2	41121-88L01-0EP	BRACKET, CLAMP PORT (BLACK)	1	
3	41130-88L10	SHAFT, CLAMP BRACKET	1	
4	41135-93J00	WASHER, CLAMP BRACKET SHAFT	1	
5	09116-08137	BOLT (8X22)	1	
6	09159-22006	NUT	1	
7	41153-94500	CAP, TRANSOM BOLT	4	
8-1	09100-12093	BOLT (12X100)	4	
8-2	09100-12091	BOLT (12X115)	1	OPT
9	09159-12014	NUT	4	
10	09160-12126	WASHER	4	
11	09160-12044	WASHER (12.5X35X3.2)	4	
12	55320-94900	ZINC, PROTECTION	1	
13	09116-06121	BOLT (6X25)	2	
14	09106-10065	BOLT (10X20)	2	
15	09160-10082	WASHER (10.5X19X2)	2	

FIG.257

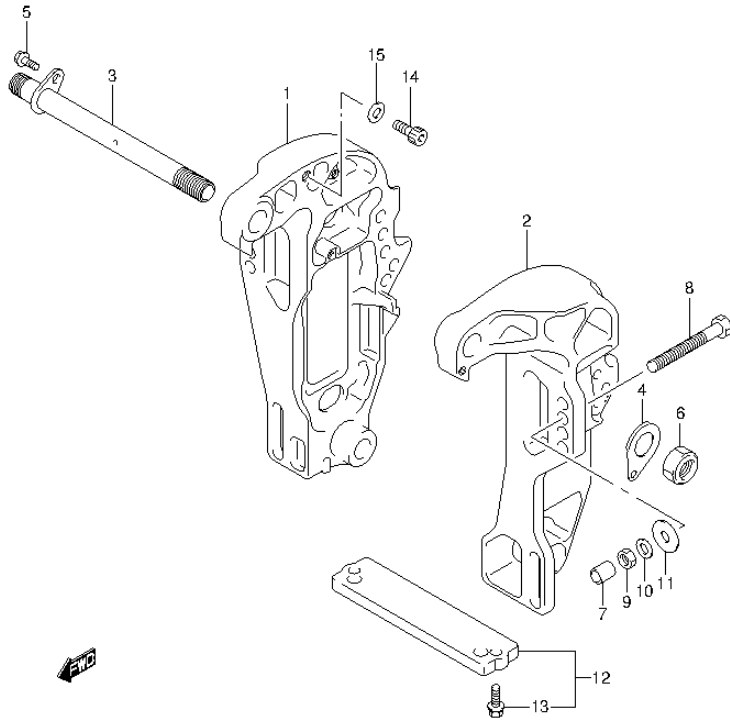


FIG.257 (2-K-15) CLAMP BRACKET (DF60ATH E40)

REF NO.	PART NO.	DESCRIPTION	Q'TY	REMARKS
1	41111-88L10-0EP	BRACKET, CLAMP STBD (BLACK)	1	
2	41121-88L01-0EP	BRACKET, CLAMP PORT (BLACK)	1	
3	41130-88L10	SHAFT, CLAMP BRACKET	1	
4	41135-93J00	WASHER, CLAMP BRACKET SHAFT	1	
5	09116-08137	BOLT (8X22)	1	
6	09159-22006	NUT	1	
7	41153-94500	CAP, TRANSOM BOLT	4	
8-1	09100-12093	BOLT (12X100)	4	
8-2	09100-12091	BOLT (12X115)	1	OPT
9	09159-12014	NUT	4	
10	09160-12126	WASHER	4	
11	09160-12044	WASHER (12.5X35X3.2)	4	
12	55320-94900	ZINC, PROTECTION	1	
13	09116-06121	BOLT (6X25)	2	
14	09106-10065	BOLT (10X20)	2	
15	09160-10082	WASHER (10.5X19X2)	2	

FIG.258

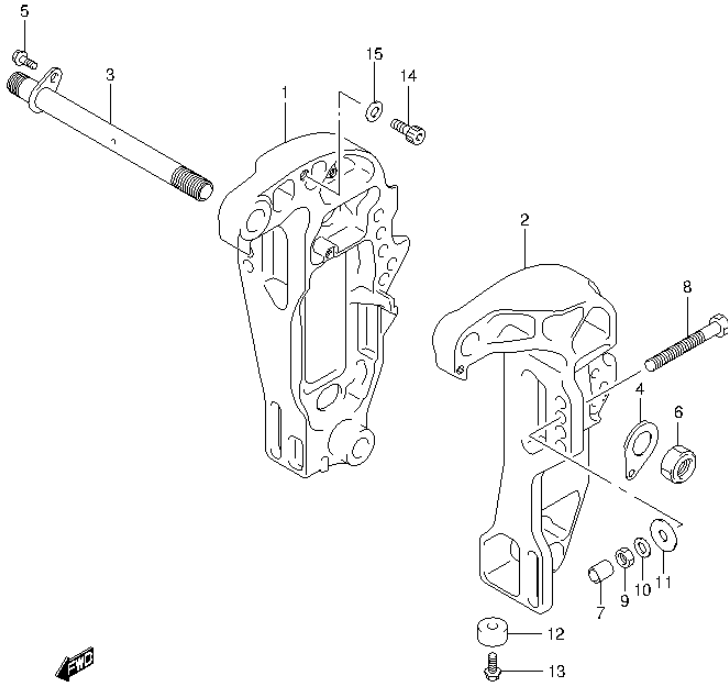


FIG.258 (2-L-2) CLAMP BRACKET (DF50AVT E01)

REF NO.	PART NO.	DESCRIPTION	Q'TY	REMARKS
1	41111-88L10-0EP	BRACKET, CLAMP STBD (BLACK)	1	
2	41121-88L01-0EP	BRACKET, CLAMP PORT (BLACK)	1	
3	41130-88L10	SHAFT, CLAMP BRACKET	1	
4	41135-93J00	WASHER, CLAMP BRACKET SHAFT	1	
5	09116-08137	BOLT (8X22)	1	
6	09159-22006	NUT	1	
7	41153-94500	CAP, TRANSOM BOLT	4	
8-1	09100-12093	BOLT (12X100)	4	
8-2	09100-12091	BOLT (12X115)	1	OPT
9	09159-12014	NUT	4	
10	09160-12126	WASHER	4	
11	09160-12044	WASHER (12.5X35X3.2)	4	
12	55321-87J00	ANODE, PROTECTION	2	
13	09103-06281	BOLT (6X14)	2	
14	09106-10065	BOLT (10X20)	2	
15	09160-10082	WASHER (10.5X19X2)	2	

FIG.259

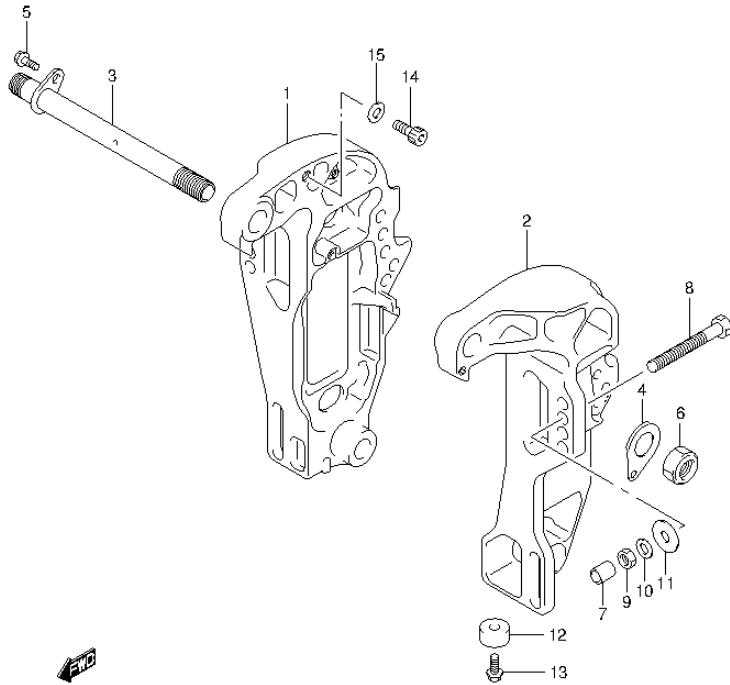


FIG.259 (2-L-3) CLAMP BRACKET (DF50AVTH E01)

REF NO.	PART NO.	DESCRIPTION	Q'TY	REMARKS
1	41111-88L10-0EP	BRACKET, CLAMP STBD (BLACK)	1	
2	41121-88L01-0EP	BRACKET, CLAMP PORT (BLACK)	1	
3	41130-88L10	SHAFT, CLAMP BRACKET	1	
4	41135-93J00	WASHER, CLAMP BRACKET SHAFT	1	
5	09116-08137	BOLT (8X22)	1	
6	09159-22006	NUT	1	
7	41153-94500	CAP, TRANSOM BOLT	4	
8-1	09100-12093	BOLT (12X100)	4	
8-2	09100-12091	BOLT (12X115)	1	OPT
9	09159-12014	NUT	4	
10	09160-12126	WASHER	4	
11	09160-12044	WASHER (12.5X35X3.2)	4	
12	55321-87J00	ANODE, PROTECTION	2	
13	09103-06281	BOLT (6X14)	2	
14	09106-10065	BOLT (10X20)	2	
15	09160-10082	WASHER (10.5X19X2)	2	

FIG.260

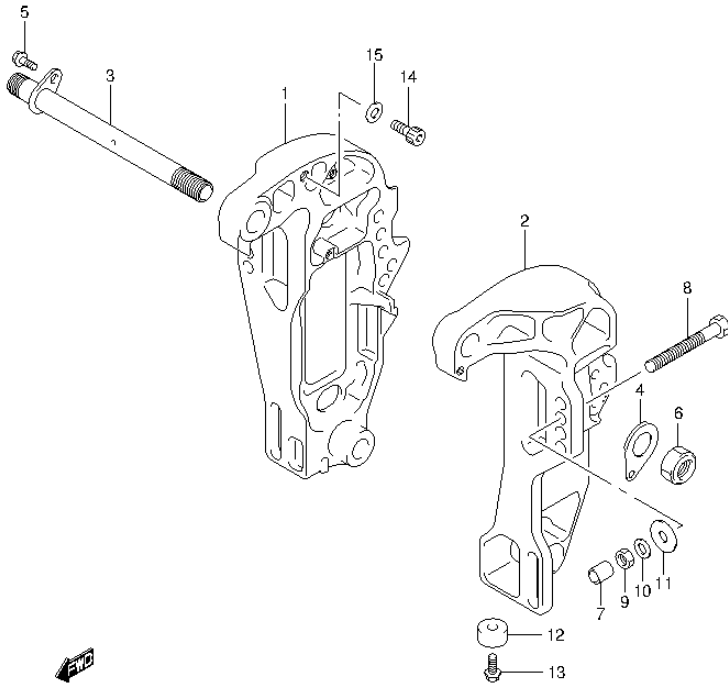


FIG.260 (2-L-4) CLAMP BRACKET (DF60AVT E01)

REF NO.	PART NO.	DESCRIPTION	Q'TY	REMARKS
1	41111-88L10-0EP	BRACKET, CLAMP STBD (BLACK)	1	
2	41121-88L01-0EP	BRACKET, CLAMP PORT (BLACK)	1	
3	41130-88L10	SHAFT, CLAMP BRACKET	1	
4	41135-93J00	WASHER, CLAMP BRACKET SHAFT	1	
5	09116-08137	BOLT (8X22)	1	
6	09159-22006	NUT	1	
7	41153-94500	CAP, TRANSOM BOLT	4	
8-1	09100-12093	BOLT (12X100)	4	
8-2	09100-12091	BOLT (12X115)	1	OPT
9	09159-12014	NUT	4	
10	09160-12126	WASHER	4	
11	09160-12044	WASHER (12.5X35X3.2)	4	
12	55321-87J00	ANODE, PROTECTION	2	
13	09103-06281	BOLT (6X14)	2	
14	09106-10065	BOLT (10X20)	2	
15	09160-10082	WASHER (10.5X19X2)	2	

FIG.262

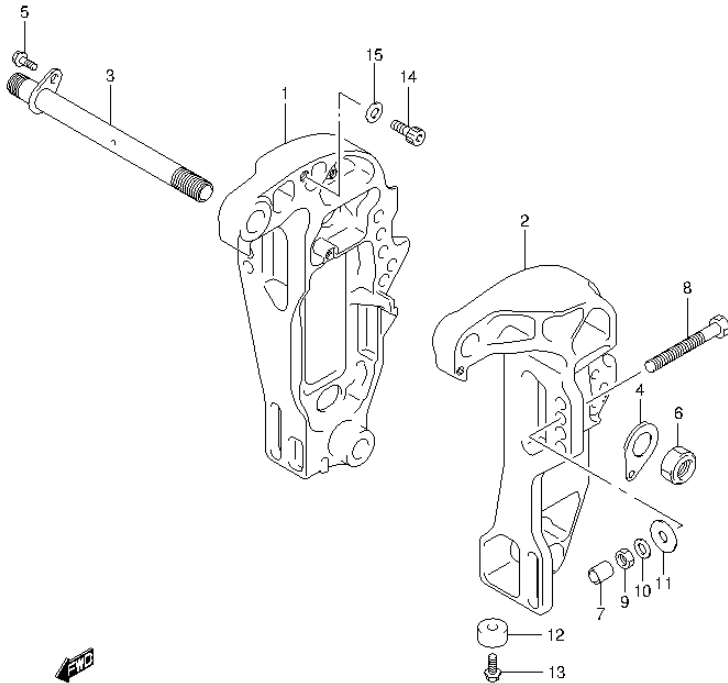


FIG.262 (2-L-6) CLAMP BRACKET (DF60AVTH E01)

REF NO.	PART NO.	DESCRIPTION	Q'TY	REMARKS
1	41111-88L10-0EP	BRACKET, CLAMP STBD (BLACK)	1	
2	41121-88L01-0EP	BRACKET, CLAMP PORT (BLACK)	1	
3	41130-88L10	SHAFT, CLAMP BRACKET	1	
4	41135-93J00	WASHER, CLAMP BRACKET SHAFT	1	
5	09116-08137	BOLT (8X22)	1	
6	09159-22006	NUT	1	
7	41153-94500	CAP, TRANSOM BOLT	4	
8-1	09100-12093	BOLT (12X100)	4	
8-2	09100-12091	BOLT (12X115)	1	OPT
9	09159-12014	NUT	4	
10	09160-12126	WASHER	4	
11	09160-12044	WASHER (12.5X35X3.2)	4	
12	55321-87J00	ANODE, PROTECTION	2	
13	09103-06281	BOLT (6X14)	2	
14	09106-10065	BOLT (10X20)	2	
15	09160-10082	WASHER (10.5X19X2)	2	

FIG.263

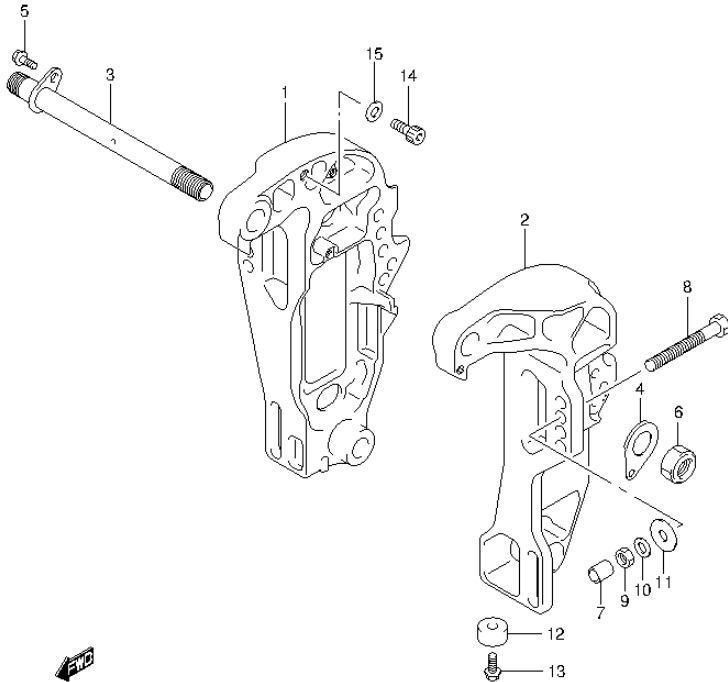


FIG.263 (2-L-7) CLAMP BRACKET (DF60AVTH E40)

REF NO.	PART NO.	DESCRIPTION	Q'TY	REMARKS
1	41111-88L10-0EP	BRACKET, CLAMP STBD (BLACK)	1	
2	41121-88L01-0EP	BRACKET, CLAMP PORT (BLACK)	1	
3	41130-88L10	SHAFT, CLAMP BRACKET	1	
4	41135-93J00	WASHER, CLAMP BRACKET SHAFT	1	
5	09116-08137	BOLT (8X22)	1	
6	09159-22006	NUT	1	
7	41153-94500	CAP, TRANSOM BOLT	4	
8-1	09100-12093	BOLT (12X100)	4	
8-2	09100-12091	BOLT (12X115)	1	OPT
9	09159-12014	NUT	4	
10	09160-12126	WASHER	4	
11	09160-12044	WASHER (12.5X35X3.2)	4	
12	55321-87J00	ANODE, PROTECTION	2	
13	09103-06281	BOLT (6X14)	2	
14	09106-10065	BOLT (10X20)	2	
15	09160-10082	WASHER (10.5X19X2)	2	

FIG.264

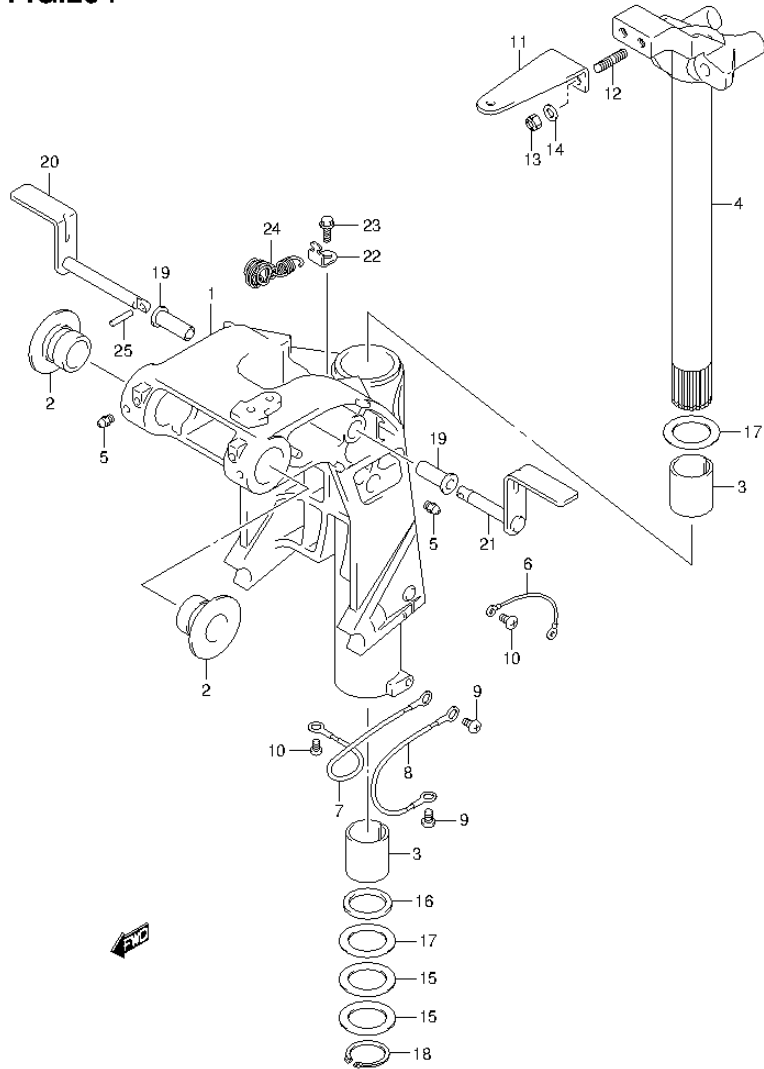


FIG.264 (2-L-8) SWIVEL BRACKET (DF40A E01)

REF NO.	PART NO.	DESCRIPTION	Q'TY	REMARKS
1-1	43111-88L31-0EP	BRACKET, SWIVEL (S) (BLACK)	1	W/TRANSOM(S)
1-2	43111-88L21-0EP	BRACKET, SWIVEL (L) (BLACK)	1	W/TRANSOM(L)
2	43211-87J00	BUSH, SWIVEL BRACKET	2	
3	43711-89J10	BUSH, STEERING	2	
4-1	43750-88L31-0EP	BRACKET, STEERING (S) (BLACK)	1	W/TRANSOM(S)
4-2	43750-88L21-0EP	BRACKET, STEERING (L) (BLACK)	1	W/TRANSOM(L)
5	22511-99011	NIPPLE, GREASE	3	
6	36894-95201	LEAD (CLAMP TO SWIVEL)	1	
7	36895-87D01	LEAD (SWIVEL TO MOUNT BRKT)	1	
8	36895-87D01	LEAD (SWIVEL TO HOUSING)	1	
9	09125-06063	SCREW (6X10)	2	
10	09125-05050	SCREW (5X8)	3	
11	43755-88L00-0EP	ATTACHMENT, STEERING BRKT (BLACK)	1	
12	09108-10161	STUD BOLT	2	
13	09159-10050	NUT	2	
14	09160-10141	WASHER (10.5X19X2)	2	
15	09160-39003	WASHER (39.5X58X0.3)	2	
16	09282-39001	OIL SEAL (39X51X5)	1	
17	09160-39002	WASHER (39.5X58X1)	2	
18	09380-38003	CIRCLIP	1	
19	41226-97E00	BUSH, TILT LOCK LEVER	2	
20	41270-89J10-0EP	LEVER, TILT LOCK STBD (BLACK)	1	
21	41280-89J04-0EP	LEVER, TILT LOCK PORT (BLACK)	1	
22	45731-96312	BRACKET, SPRING	1	
23	09116-06236	BOLT (6X16)	1	
24	41230-97E10	SPRING, TILT LOCK	1	
25	09205-03012	SPRING PIN (3X16)	1	

FIG.265

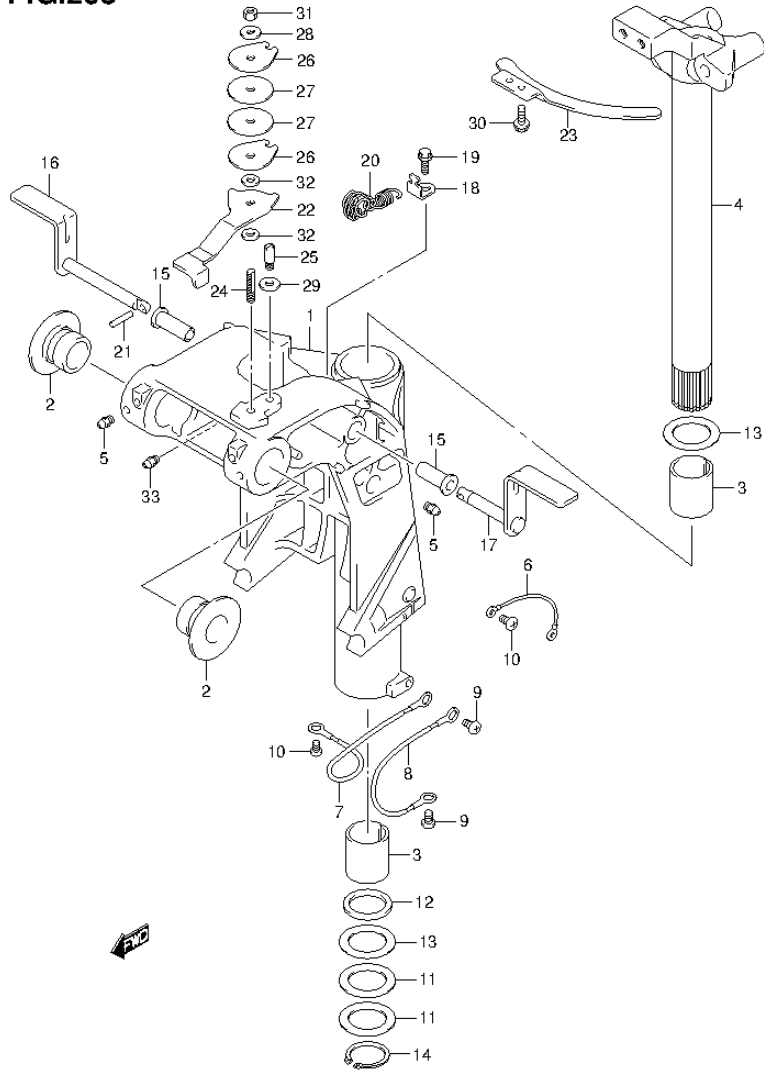


FIG.265 (2-L-9) SWIVEL BRACKET (DF40AQH E01)

REF NO.	PART NO.	DESCRIPTION	Q'TY	REMARKS
1	43111-88L21-0EP	BRACKET, SWIVEL (L) (BLACK)	1	
2	43211-87J00	BUSH, SWIVEL BRACKET	2	
3	43711-89J10	BUSH, STEERING	2	
4	43750-88L21-0EP	BRACKET, STEERING (L) (BLACK)	1	
5	22511-99011	NIPPLE, GREASE	3	
6	36894-95201	LEAD (CLAMP TO SWIVEL)	1	
7	36895-87D01	LEAD (SWIVEL TO MOUNT BRKT)	1	
8	36895-87D01	LEAD (SWIVEL TO HOUSING)	1	
9	09125-06063	SCREW (6X10)	2	
10	09125-05050	SCREW (5X8)	3	
11	09160-39003	WASHER (39.5X58X0.3)	2	
12	09282-39001	OIL SEAL (39X51X5)	1	
13	09160-39002	WASHER (39.5X58X1)	2	
14	09380-38003	CIRCLIP	1	
15	41226-97E00	BUSH, TILT LOCK LEVER	2	
16	41270-89J10-0EP	LEVER, TILT LOCK STBD (BLACK)	1	
17	41280-89J04-0EP	LEVER, TILT LOCK PORT (BLACK)	1	
18	45731-96312	BRACKET, SPRING	1	
19	09116-06236	BOLT (6X16)	1	
20	41230-97E10	SPRING, TILT LOCK	1	
21	09205-03012	SPRING PIN (3X16)	1	
22	43411-88L00	ADJUSTER, STEERING	1	
23	43415-88L00	PLATE, STEERING ADJUSTER	1	
24	43512-88L00	SHAFT, STRG ADJ THREAD	1	
25	43513-88L00	BOLT, STEERING ADJUSTER	1	
26	43514-88L00	PLATE, STRG ADJ FRICTION	2	
27	43515-88L00	WASHER, STRG ADJ FRICTION	2	
		PLATE		
28	43516-88L00	WASHER, STRG ADJ FRICTION	1	
29	43517-88L00	SPACER, STEERING ADJUSTER	1	
30	09116-06237	BOLT (6X15)	2	
31	09159-08059	NUT	1	
32	09161-08011	WASHER (8.2X18X1.2)	2	
33	22511-99011	NIPPLE, GREASE	1	

FIG.266

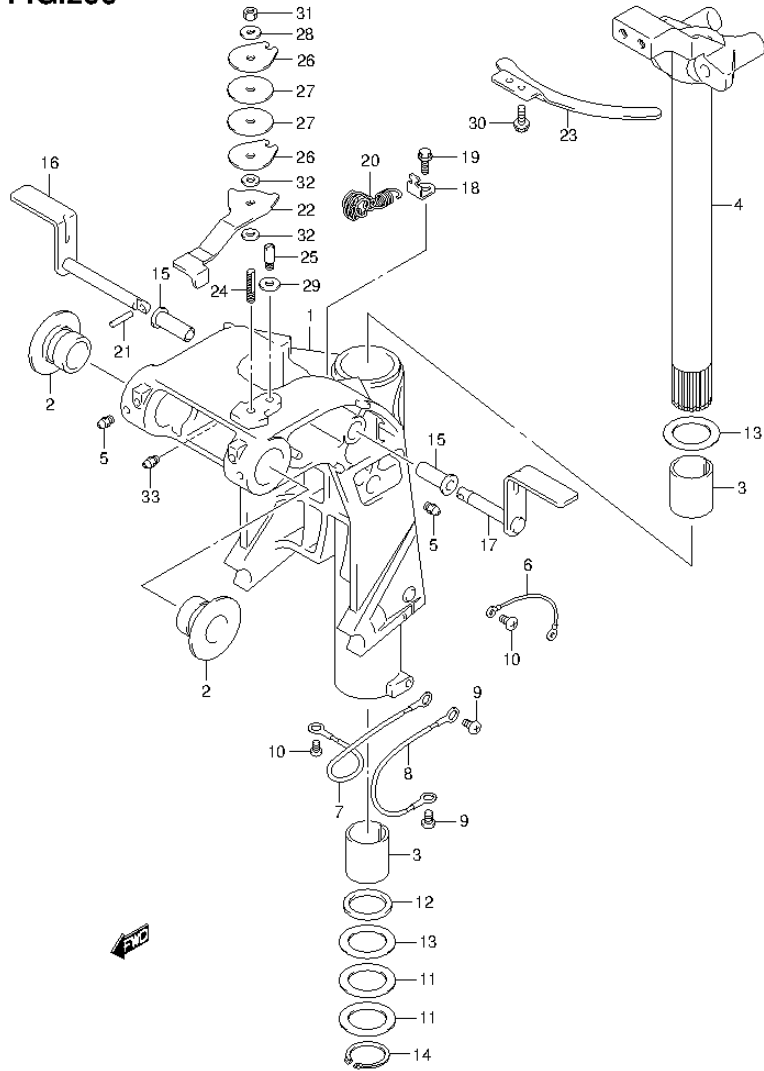


FIG.266 (2-L-10) SWIVEL BRACKET (DF40ATH E01)

REF NO.	PART NO.	DESCRIPTION	Q'TY	REMARKS
1	43111-88L21-0EP	BRACKET, SWIVEL (L) (BLACK)	1	
2	43211-87J00	BUSH, SWIVEL BRACKET	2	
3	43711-89J10	BUSH, STEERING	2	
4	43750-88L21-0EP	BRACKET, STEERING (L) (BLACK)	1	
5	22511-99011	NIPPLE, GREASE	3	
6	36894-95201	LEAD (CLAMP TO SWIVEL)	1	
7	36895-87D01	LEAD (SWIVEL TO MOUNT BRKT)	1	
8	36895-87D01	LEAD (SWIVEL TO HOUSING)	1	
9	09125-06063	SCREW (6X10)	2	
10	09125-05050	SCREW (5X8)	3	
11	09160-39003	WASHER (39.5X58X0.3)	2	
12	09282-39001	OIL SEAL (39X51X5)	1	
13	09160-39002	WASHER (39.5X58X1)	2	
14	09380-38003	CIRCLIP	1	
15	41226-97E00	BUSH, TILT LOCK LEVER	2	
16	41270-89J10-0EP	LEVER, TILT LOCK STBD (BLACK)	1	
17	41280-89J04-0EP	LEVER, TILT LOCK PORT (BLACK)	1	
18	45731-96312	BRACKET, SPRING	1	
19	09116-06236	BOLT (6X16)	1	
20	41230-97E10	SPRING, TILT LOCK	1	
21	09205-03012	SPRING PIN (3X16)	1	
22	43411-88L00	ADJUSTER, STEERING	1	
23	43415-88L00	PLATE, STEERING ADJUSTER	1	
24	43512-88L00	SHAFT, STRG ADJ THREAD	1	
25	43513-88L00	BOLT, STEERING ADJUSTER	1	
26	43514-88L00	PLATE, STRG ADJ FRICTION	2	
27	43515-88L00	WASHER, STRG ADJ FRICTION	2	
		PLATE		
28	43516-88L00	WASHER, STRG ADJ FRICTION	1	
29	43517-88L00	SPACER, STEERING ADJUSTER	1	
30	09116-06237	BOLT (6X15)	2	
31	09159-08059	NUT	1	
32	09161-08011	WASHER (8.2X18X1.2)	2	
33	22511-99011	NIPPLE, GREASE	1	

FIG.267

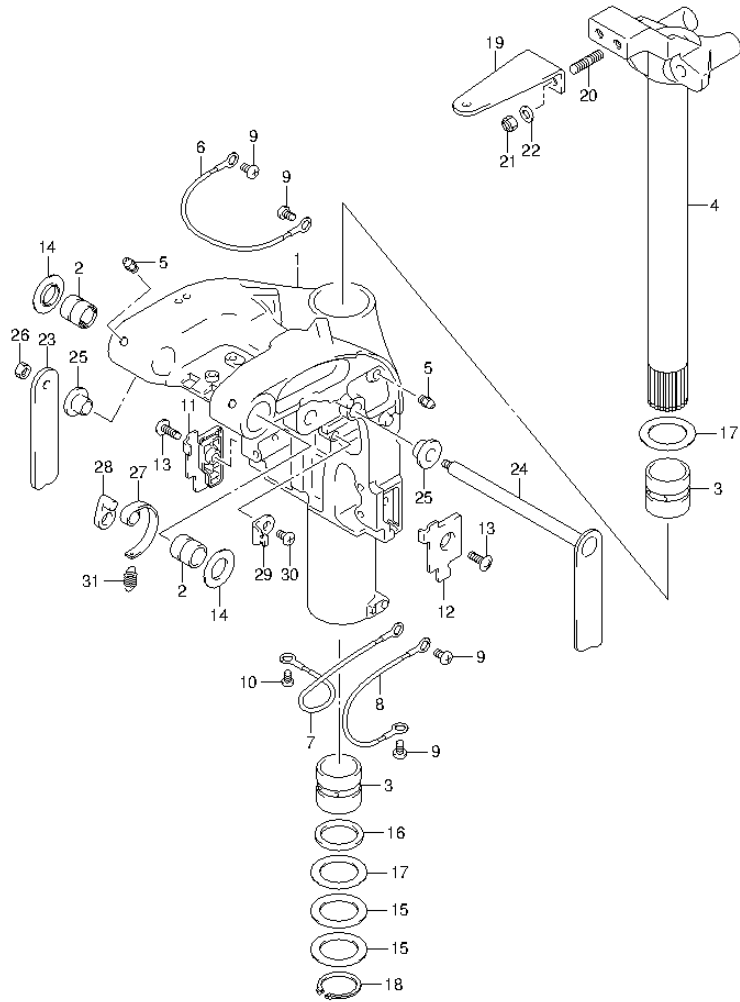


FIG.267 (2-L-11) SWIVEL BRACKET (DF40AST E34)

REF NO.	PART NO.	DESCRIPTION	Q'TY	REMARKS
1-1	43111-88L50-0EP	BRACKET, SWIVEL (S) (BLACK)	1	W/TRANSOM(S)
1-2	43111-88L40-0EP	BRACKET, SWIVEL (L) (BLACK)	1	W/TRANSOM(L)
2	43211-88L00	BUSH, SWIVEL BRACKET	2	
3	43711-97E01	BUSH, STEERING	2	
4-1	43750-88L31-0EP	BRACKET, STEERING (S) (BLACK)	1	W/TRANSOM(S)
4-2	43750-88L21-0EP	BRACKET, STEERING (L) (BLACK)	1	W/TRANSOM(L)
5	22511-99011	NIPPLE, GREASE	4	
6	36894-87D00	LEAD (CLAMP TO SWIVEL)	1	
7	36895-87D01	LEAD (SWIVEL TO MOUNT BRKT)	1	
8	36895-87D01	LEAD (SWIVEL TO HOUSING)	1	
9	09125-06063	SCREW (6X10)	4	
10	09125-05050	SCREW (5X8)	1	
11	43119-88L00	PLATE, SWIVEL BRKT LOWER STBD	1	
12	43119-88L10	PLATE, SWIVEL BRKT LOWER PORT	1	
13	09125-06067	SCREW (6X16)	2	
14	43114-88L00	WASHER, SWIVEL TO CLAMP BRKT	2	
15	09160-39003	WASHER (39.5X58X0.3)	2	
16	09282-39001	OIL SEAL (39X51X5)	1	
17	09160-39002	WASHER (39.5X58X1)	2	
18	09380-38003	CIRCLIP	1	
19	43755-88L00-0EP	ATTACHMENT, STEERING BRKT (BLACK)	1	
20	09108-10161	STUD BOLT	2	
21	09159-10050	NUT	2	
22	09160-10141	WASHER (10.5X19X2)	2	
23	41221-88L00-0EP	LEVER, TILT LOCK STBD (BLACK)	1	
24	41280-88L10-0EP	LEVER, TILT LOCK PORT (BLACK)	1	
25	41224-88L00	BUSH, TILT LOCK LEVER	2	
26	29141-93J00	NUT, TILT LOCK LEVER STBD	1	
27	41231-88L01	LINK, TILT LOCK LEVER	1	
28	41234-88L00	ARM, TILT LOCK LINK	1	
29	45731-96312	BRACKET, SPRING	1	
30	09125-06063	SCREW (6X10)	1	
31	09443-10043	SPRING	1	

FIG.268

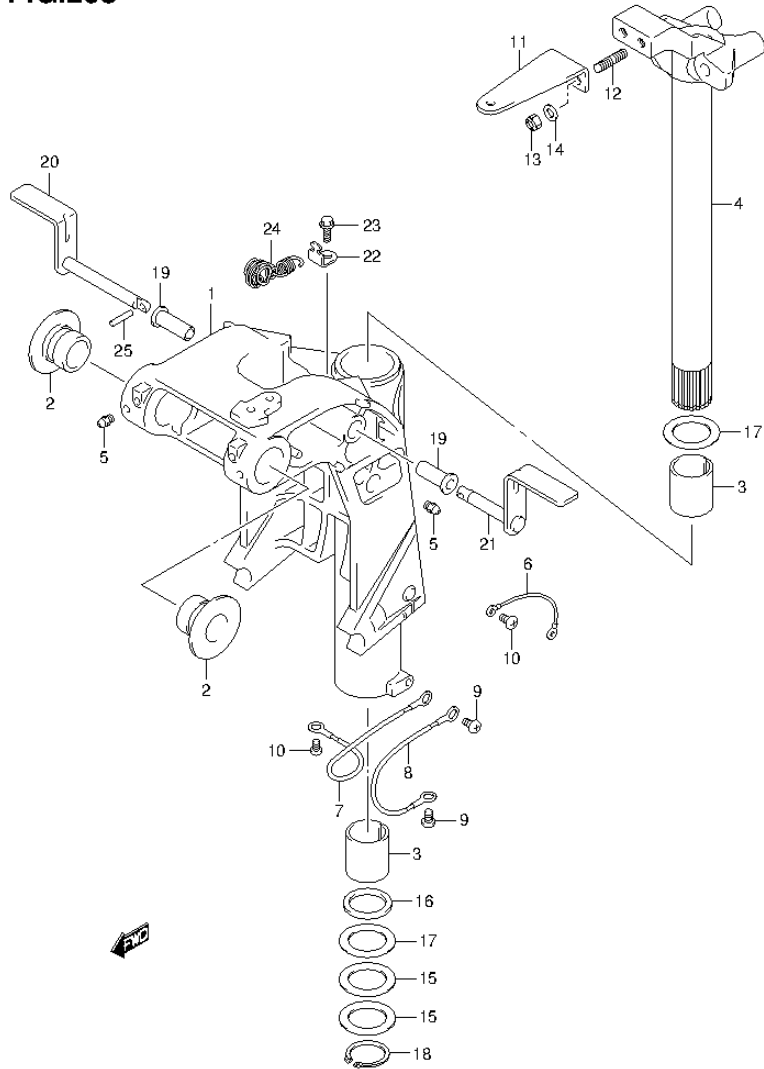


FIG.268 (2-L-12) SWIVEL BRACKET (DF50A E01)

REF NO.	PART NO.	DESCRIPTION	Q'TY	REMARKS
1-1	43111-88L31-0EP	BRACKET, SWIVEL (S) (BLACK)	1	W/TRANSOM(S)
1-2	43111-88L21-0EP	BRACKET, SWIVEL (L) (BLACK)	1	W/TRANSOM(L)
2	43211-87J00	BUSH, SWIVEL BRACKET	2	
3	43711-89J10	BUSH, STEERING	2	
4-1	43750-88L31-0EP	BRACKET, STEERING (S) (BLACK)	1	W/TRANSOM(S)
4-2	43750-88L21-0EP	BRACKET, STEERING (L) (BLACK)	1	W/TRANSOM(L)
5	22511-99011	NIPPLE, GREASE	3	
6	36894-95201	LEAD (CLAMP TO SWIVEL)	1	
7	36895-87D01	LEAD (SWIVEL TO MOUNT BRKT)	1	
8	36895-87D01	LEAD (SWIVEL TO HOUSING)	1	
9	09125-06063	SCREW (6X10)	2	
10	09125-05050	SCREW (5X8)	3	
11	43755-88L00-0EP	ATTACHMENT, STEERING BRKT (BLACK)	1	
12	09108-10161	STUD BOLT	2	
13	09159-10050	NUT	2	
14	09160-10141	WASHER (10.5X19X2)	2	
15	09160-39003	WASHER (39.5X58X0.3)	2	
16	09282-39001	OIL SEAL (39X51X5)	1	
17	09160-39002	WASHER (39.5X58X1)	2	
18	09380-38003	CIRCLIP	1	
19	41226-97E00	BUSH, TILT LOCK LEVER	2	
20	41270-89J10-0EP	LEVER, TILT LOCK STBD (BLACK)	1	
21	41280-89J04-0EP	LEVER, TILT LOCK PORT (BLACK)	1	
22	45731-96312	BRACKET, SPRING	1	
23	09116-06236	BOLT (6X16)	1	
24	41230-97E10	SPRING, TILT LOCK	1	
25	09205-03012	SPRING PIN (3X16)	1	

FIG.269

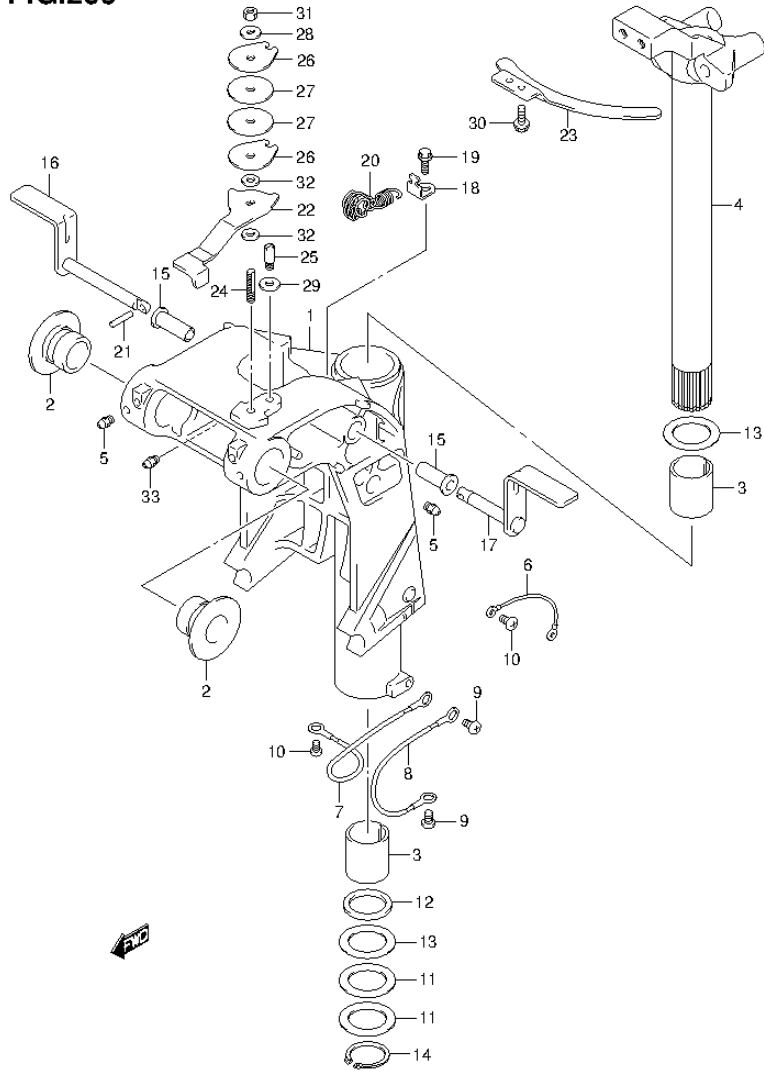


FIG.269 (2-L-13) SWIVEL BRACKET (DF50ATH E01)

REF NO.	PART NO.	DESCRIPTION	Q'TY	REMARKS
1	43111-88L21-0EP	BRACKET, SWIVEL (L) (BLACK)	1	
2	43211-87J00	BUSH, SWIVEL BRACKET	2	
3	43711-89J10	BUSH, STEERING	2	
4	43750-88L21-0EP	BRACKET, STEERING (L) (BLACK)	1	
5	22511-99011	NIPPLE, GREASE	3	
6	36894-95201	LEAD (CLAMP TO SWIVEL)	1	
7	36895-87D01	LEAD (SWIVEL TO MOUNT BRKT)	1	
8	36895-87D01	LEAD (SWIVEL TO HOUSING)	1	
9	09125-06063	SCREW (6X10)	2	
10	09125-05050	SCREW (5X8)	3	
11	09160-39003	WASHER (39.5X58X0.3)	2	
12	09282-39001	OIL SEAL (39X51X5)	1	
13	09160-39002	WASHER (39.5X58X1)	2	
14	09380-38003	CIRCLIP	1	
15	41226-97E00	BUSH, TILT LOCK LEVER	2	
16	41270-89J10-0EP	LEVER, TILT LOCK STBD (BLACK)	1	
17	41280-89J04-0EP	LEVER, TILT LOCK PORT (BLACK)	1	
18	45731-96312	BRACKET, SPRING	1	
19	09116-06236	BOLT (6X16)	1	
20	41230-97E10	SPRING, TILT LOCK	1	
21	09205-03012	SPRING PIN (3X16)	1	
22	43411-88L00	ADJUSTER, STEERING	1	
23	43415-88L00	PLATE, STEERING ADJUSTER	1	
24	43512-88L00	SHAFT, STRG ADJ THREAD	1	
25	43513-88L00	BOLT, STEERING ADJUSTER	1	
26	43514-88L00	PLATE, STRG ADJ FRICTION	2	
27	43515-88L00	WASHER, STRG ADJ FRICTION	2	
		PLATE		
28	43516-88L00	WASHER, STRG ADJ FRICTION	1	
29	43517-88L00	SPACER, STEERING ADJUSTER	1	
30	09116-06237	BOLT (6X15)	2	
31	09159-08059	NUT	1	
32	09161-08011	WASHER (8.2X18X1.2)	2	
33	22511-99011	NIPPLE, GREASE	1	

FIG.270

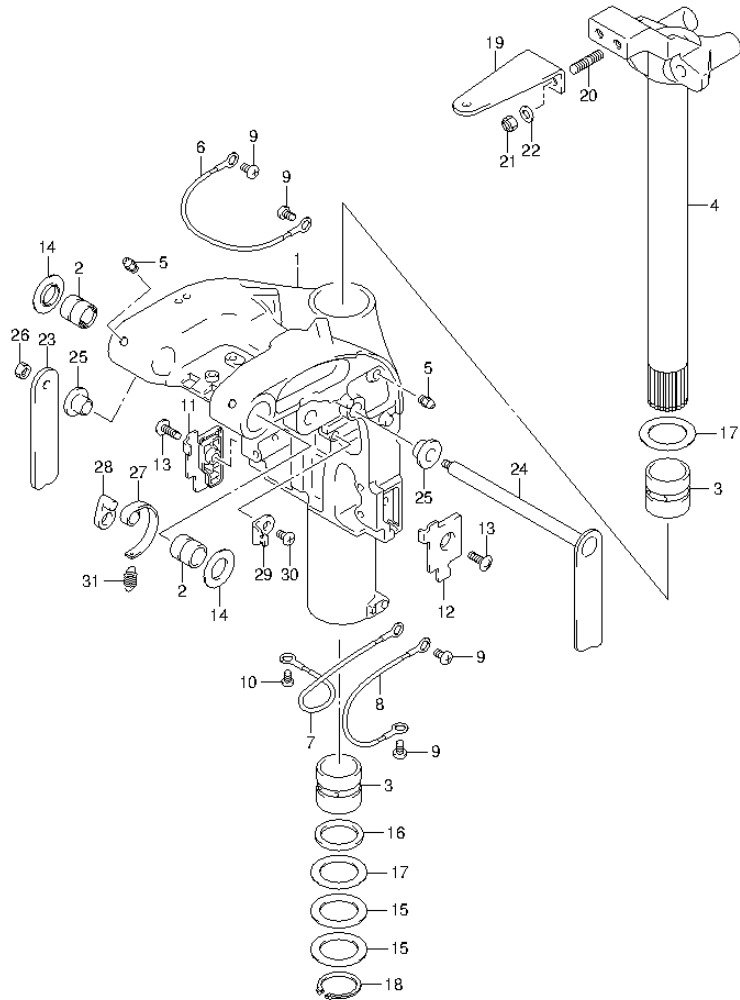


FIG.270 (2-L-14) SWIVEL BRACKET (DF60A E01)

REF NO.	PART NO.	DESCRIPTION	Q'TY	REMARKS
1-1	43111-88L50-OEP	BRACKET, SWIVEL (S) (BLACK)	1	W/TRANSOM(S)
1-2	43111-88L40-OEP	BRACKET, SWIVEL (L) (BLACK)	1	W/TRANSOM(L) W/TRANSOM(X)
2	43211-88L00	BUSH, SWIVEL BRACKET	2	
3	43711-97E01	BUSH, STEERING	2	
4-1	43750-88L31-OEP	BRACKET, STEERING (S) (BLACK)	1	W/TRANSOM(S)
4-2	43750-88L21-OEP	BRACKET, STEERING (L) (BLACK)	1	W/TRANSOM(L) W/TRANSOM(X)
5	22511-99011	NIPPLE, GREASE	4	
6	36894-87D00	LEAD (CLAMP TO SWIVEL)	1	
7	36895-87D01	LEAD (SWIVEL TO MOUNT BRKT)	1	
8	36895-87D01	LEAD (SWIVEL TO HOUSING)	1	
9	09125-06063	SCREW (6X10)	4	
10	09125-05050	SCREW (5X8)	1	
11	43119-88L00	PLATE, SWIVEL BRKT LOWER STBD	1	
12	43119-88L10	PLATE, SWIVEL BRKT LOWER PORT	1	
13	09125-06067	SCREW (6X16)	2	
14	43114-88L00	WASHER, SWIVEL TO CLAMP BRKT	2	
15	09160-39003	WASHER (39.5X58X0.3)	2	
16	09282-39001	OIL SEAL (39X51X5)	1	
17	09160-39002	WASHER (39.5X58X1)	2	
18	09380-38003	CIRCLIP	1	
19	43755-88L00-OEP	ATTACHMENT, STEERING BRKT (BLACK)	1	
20	09108-10161	STUD BOLT	2	
21	09159-10050	NUT	2	
22	09160-10141	WASHER (10.5X19X2)	2	
23	41221-88L00-OEP	LEVER, TILT LOCK STBD (BLACK)	1	
24	41280-88L10-OEP	LEVER, TILT LOCK PORT (BLACK)	1	
25	41224-88L00	BUSH, TILT LOCK LEVER	2	
26	29141-93J00	NUT, TILT LOCK LEVER STBD	1	
27	41231-88L01	LINK, TILT LOCK LEVER	1	
28	41234-88L00	ARM, TILT LOCK LINK	1	
29	45731-96312	BRACKET, SPRING	1	
30	09125-06063	SCREW (6X10)	1	

FIG.270

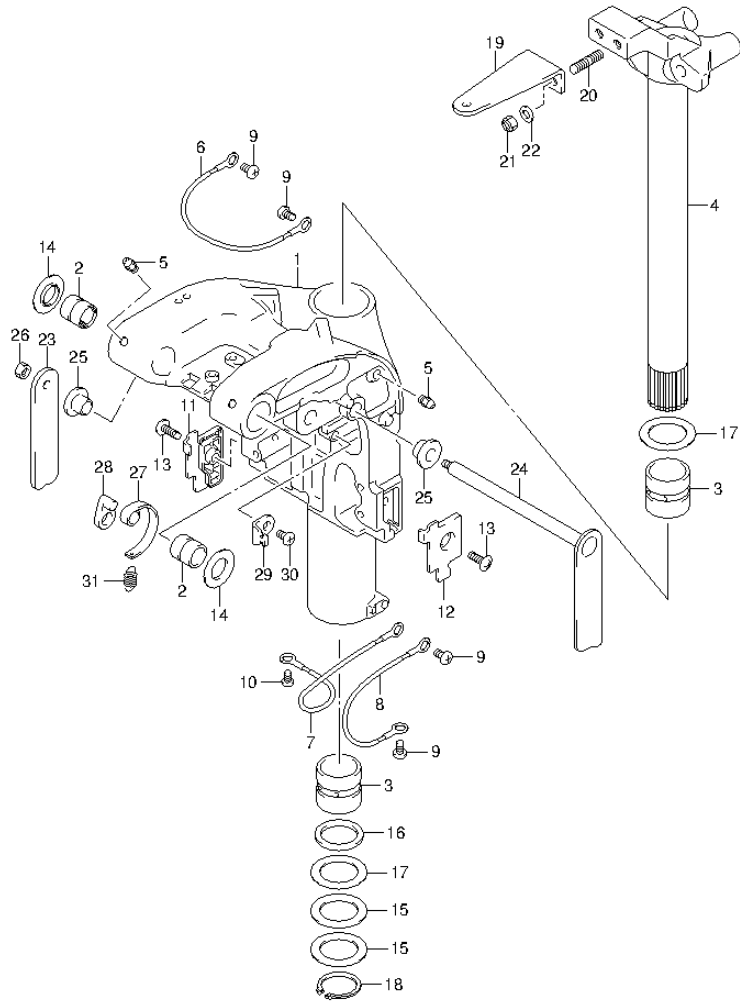


FIG.270 (2-L-15) SWIVEL BRACKET (DF60A E01)

REF NO.	PART NO.	DESCRIPTION	Q'TY	REMARKS
31	09443-10043	SPRING	1	

FIG.271

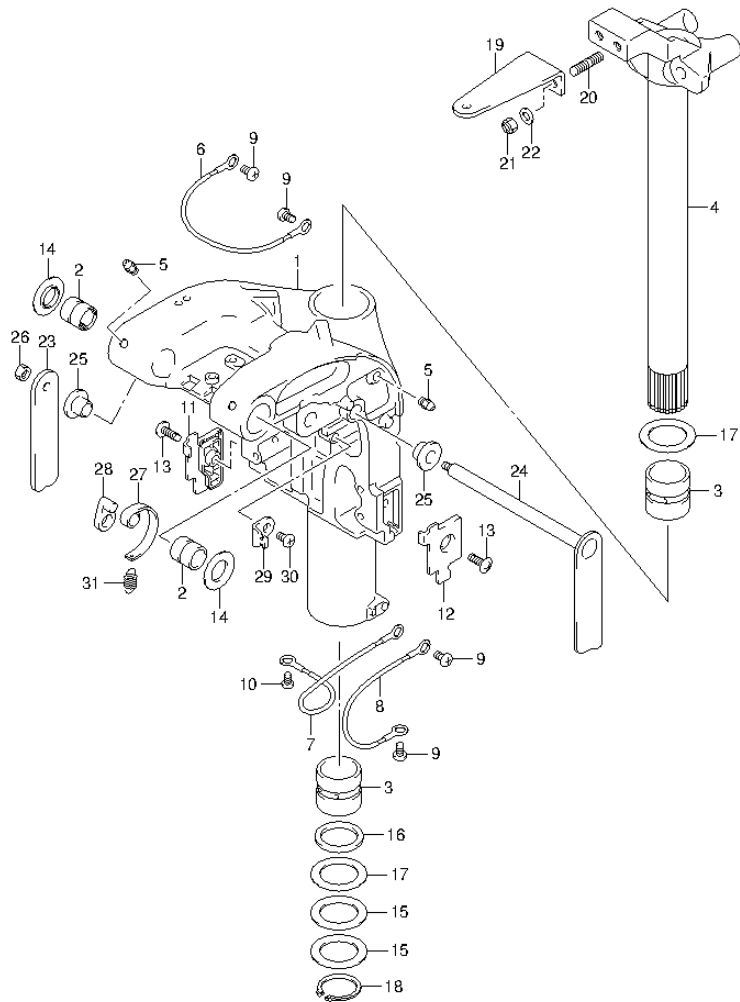


FIG.271 (3-B-2) SWIVEL BRACKET (DF60A E40)

REF NO.	PART NO.	DESCRIPTION	Q'TY	REMARKS
1	43111-88L40-0EP	BRACKET, SWIVEL (L) (BLACK)	1	W/TRANSOM(L) W/TRANSOM(X)
2	43211-88L00	BUSH, SWIVEL BRACKET	2	
3	43711-97E01	BUSH, STEERING	2	
4	43750-88L21-0EP	BRACKET, STEERING (L) (BLACK)	1	W/TRANSOM(L) W/TRANSOM(X)
5	22511-99011	NIPPLE, GREASE	4	
6	36894-87D00	LEAD (CLAMP TO SWIVEL)	1	
7	36895-87D01	LEAD (SWIVEL TO MOUNT BRKT)	1	
8	36895-87D01	LEAD (SWIVEL TO HOUSING)	1	
9	09125-06063	SCREW (6X10)	4	
10	09125-05050	SCREW (5X8)	1	
11	43119-88L00	PLATE, SWIVEL BRKT LOWER STBD	1	
12	43119-88L10	PLATE, SWIVEL BRKT LOWER PORT	1	
13	09125-06067	SCREW (6X16)	2	
14	43114-88L00	WASHER, SWIVEL TO CLAMP BRKT	2	
15	09160-39003	WASHER (39.5X58X0.3)	2	
16	09282-39001	OIL SEAL (39X51X5)	1	
17	09160-39002	WASHER (39.5X58X1)	2	
18	09380-38003	CIRCLIP	1	
19	43755-88L00-0EP	ATTACHMENT, STEERING BRKT (BLACK)	1	
20	09108-10161	STUD BOLT	2	
21	09159-10050	NUT	2	
22	09160-10141	WASHER (10.5X19X2)	2	
23	41221-88L00-0EP	LEVER, TILT LOCK STBD (BLACK)	1	
24	41280-88L10-0EP	LEVER, TILT LOCK PORT (BLACK)	1	
25	41224-88L00	BUSH, TILT LOCK LEVER	2	
26	29141-93J00	NUT, TILT LOCK LEVER STBD	1	
27	41231-88L01	LINK, TILT LOCK LEVER	1	
28	41234-88L00	ARM, TILT LOCK LINK	1	
29	45731-96312	BRACKET, SPRING	1	
30	09125-06063	SCREW (6X10)	1	
31	09443-10043	SPRING	1	

FIG.272

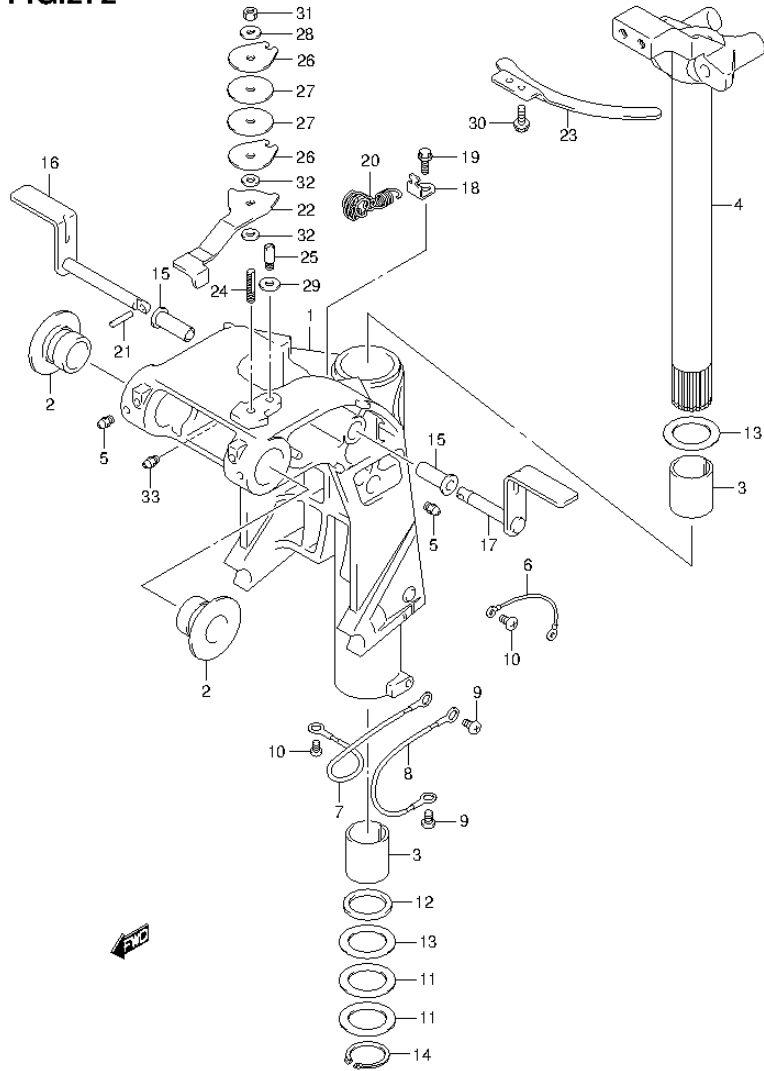


FIG.272 (3-B-3) SWIVEL BRACKET (DF60AQH E01)

REF NO.	PART NO.	DESCRIPTION	Q'TY	REMARKS
1	43111-88L21-0EP	BRACKET, SWIVEL (L) (BLACK)	1	
2	43211-87J00	BUSH, SWIVEL BRACKET	2	
3	43711-89J10	BUSH, STEERING	2	
4	43750-88L21-0EP	BRACKET, STEERING (L) (BLACK)	1	
5	22511-99011	NIPPLE, GREASE	3	
6	36894-95201	LEAD (CLAMP TO SWIVEL)	1	
7	36895-87D01	LEAD (SWIVEL TO MOUNT BRKT)	1	
8	36895-87D01	LEAD (SWIVEL TO HOUSING)	1	
9	09125-06063	SCREW (6X10)	2	
10	09125-05050	SCREW (5X8)	3	
11	09160-39003	WASHER (39.5X58X0.3)	2	
12	09282-39001	OIL SEAL (39X51X5)	1	
13	09160-39002	WASHER (39.5X58X1)	2	
14	09380-38003	CIRCLIP	1	
15	41226-97E00	BUSH, TILT LOCK LEVER	2	
16	41270-89J10-0EP	LEVER, TILT LOCK STBD (BLACK)	1	
17	41280-89J04-0EP	LEVER, TILT LOCK PORT (BLACK)	1	
18	45731-96312	BRACKET, SPRING	1	
19	09116-06236	BOLT (6X16)	1	
20	41230-97E10	SPRING, TILT LOCK	1	
21	09205-03012	SPRING PIN (3X16)	1	
22	43411-88L00	ADJUSTER, STEERING	1	
23	43415-88L00	PLATE, STEERING ADJUSTER	1	
24	43512-88L00	SHAFT, STRG ADJ THREAD	1	
25	43513-88L00	BOLT, STEERING ADJUSTER	1	
26	43514-88L00	PLATE, STRG ADJ FRICTION	2	
27	43515-88L00	WASHER, STRG ADJ FRICTION	2	
		PLATE		
28	43516-88L00	WASHER, STRG ADJ FRICTION	1	
29	43517-88L00	SPACER, STEERING ADJUSTER	1	
30	09116-06237	BOLT (6X15)	2	
31	09159-08059	NUT	1	
32	09161-08011	WASHER (8.2X18X1.2)	2	
33	22511-99011	NIPPLE, GREASE	1	

FIG.273

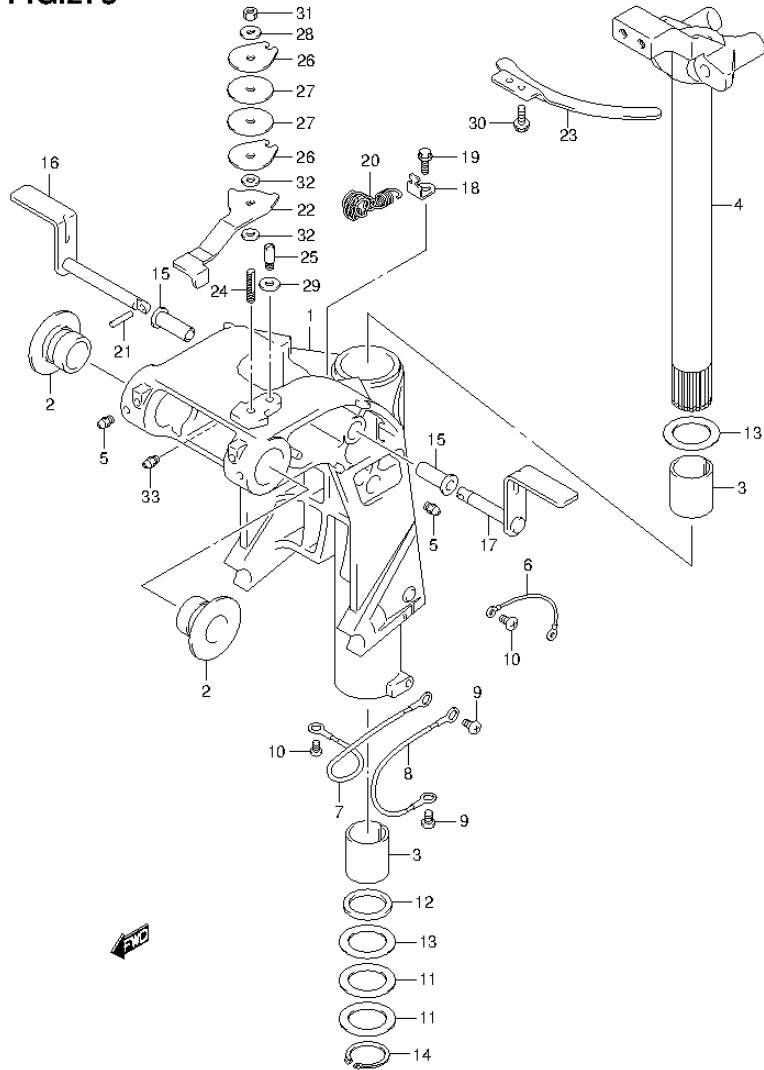
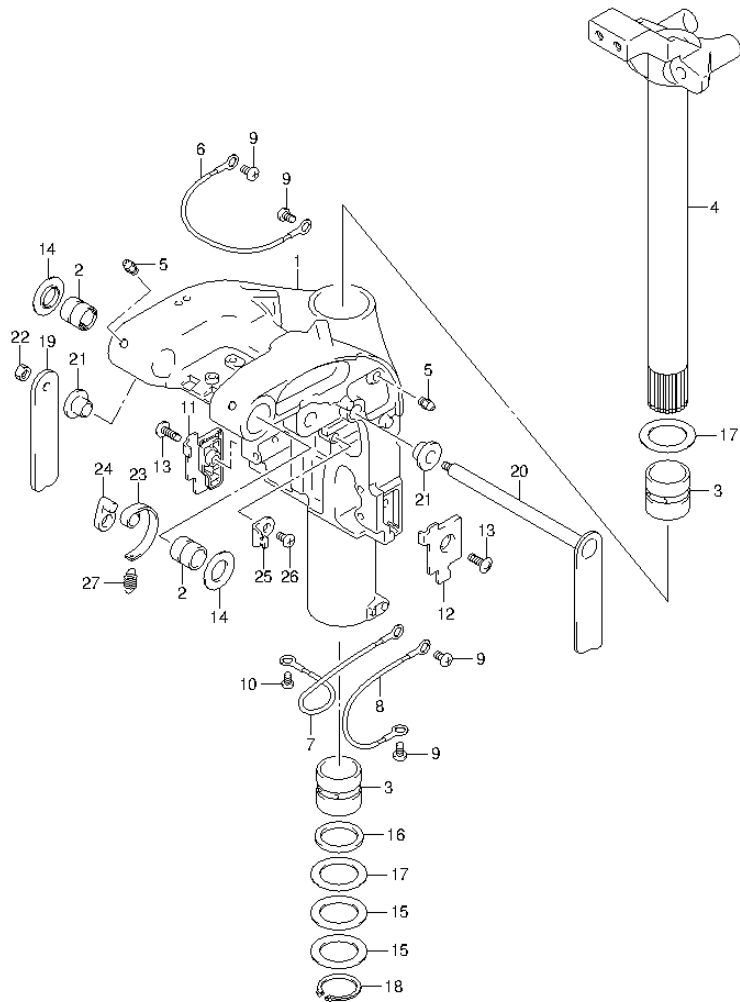


FIG.273 (3-B-4) SWIVEL BRACKET (DF60AQH E40)

REF NO.	PART NO.	DESCRIPTION	Q'TY	REMARKS
1	43111-88L21-0EP	BRACKET, SWIVEL (L) (BLACK)	1	
2	43211-87J00	BUSH, SWIVEL BRACKET	2	
3	43711-89J10	BUSH, STEERING	2	
4	43750-88L21-0EP	BRACKET, STEERING (L) (BLACK)	1	
5	22511-99011	NIPPLE, GREASE	3	
6	36894-95201	LEAD (CLAMP TO SWIVEL)	1	
7	36895-87D01	LEAD (SWIVEL TO MOUNT BRKT)	1	
8	36895-87D01	LEAD (SWIVEL TO HOUSING)	1	
9	09125-06063	SCREW (6X10)	2	
10	09125-05050	SCREW (5X8)	3	
11	09160-39003	WASHER (39.5X58X0.3)	2	
12	09282-39001	OIL SEAL (39X51X5)	1	
13	09160-39002	WASHER (39.5X58X1)	2	
14	09380-38003	CIRCLIP	1	
15	41226-97E00	BUSH, TILT LOCK LEVER	2	
16	41270-89J10-0EP	LEVER, TILT LOCK STBD (BLACK)	1	
17	41280-89J04-0EP	LEVER, TILT LOCK PORT (BLACK)	1	
18	45731-96312	BRACKET, SPRING	1	
19	09116-06236	BOLT (6X16)	1	
20	41230-97E10	SPRING, TILT LOCK	1	
21	09205-03012	SPRING PIN (3X16)	1	
22	43411-88L00	ADJUSTER, STEERING	1	
23	43415-88L00	PLATE, STEERING ADJUSTER	1	
24	43512-88L00	SHAFT, STRG ADJ THREAD	1	
25	43513-88L00	BOLT, STEERING ADJUSTER	1	
26	43514-88L00	PLATE, STRG ADJ FRICTION	2	
27	43515-88L00	WASHER, STRG ADJ FRICTION	2	
		PLATE		
28	43516-88L00	WASHER, STRG ADJ FRICTION	1	
29	43517-88L00	SPACER, STEERING ADJUSTER	1	
30	09116-06237	BOLT (6X15)	2	
31	09159-08059	NUT	1	
32	09161-08011	WASHER (8.2X18X1.2)	2	
33	22511-99011	NIPPLE, GREASE	1	

FIG.274

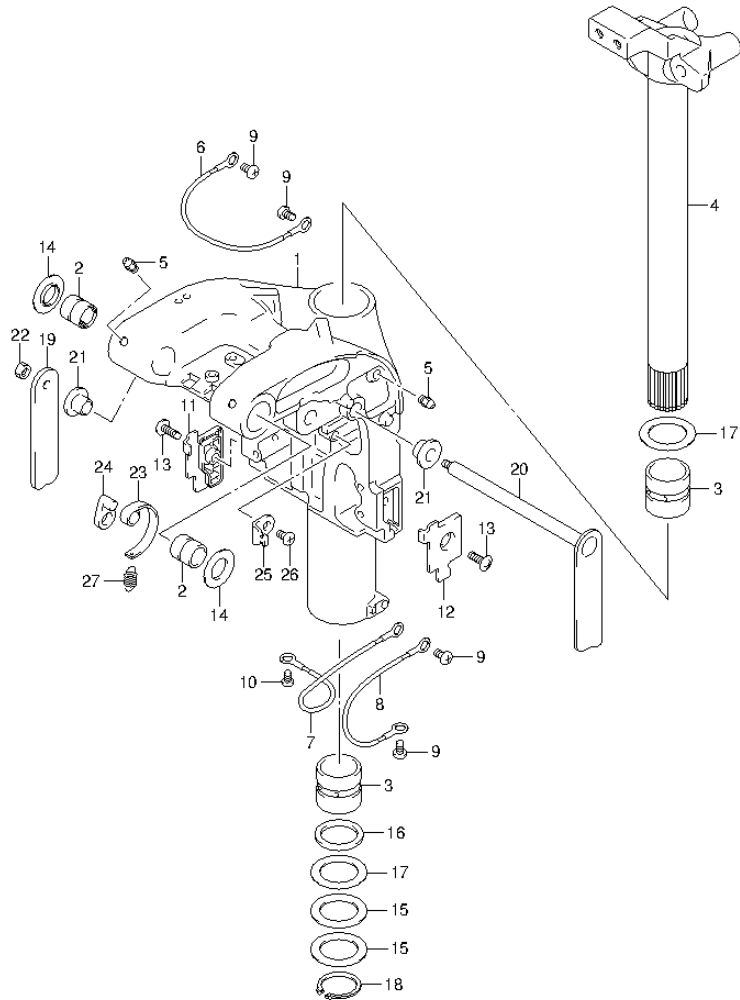
FIG.274 (3-B-5) SWIVEL BRACKET (DF60ATH E01)



REF NO.	PART NO.	DESCRIPTION	Q'TY	REMARKS
1	43111-88L40-0EP	BRACKET, SWIVEL (L) (BLACK)	1	
2	43211-88L00	BUSH, SWIVEL BRACKET	2	
3	43711-97E01	BUSH, STEERING	2	
4	43750-88L21-0EP	BRACKET, STEERING (L) (BLACK)	1	
5	22511-99011	NIPPLE, GREASE	4	
6	36894-87D00	LEAD (CLAMP TO SWIVEL)	1	
7	36895-87D01	LEAD (SWIVEL TO MOUNT BRKT)	1	
8	36895-87D01	LEAD (SWIVEL TO HOUSING)	1	
9	09125-06063	SCREW (6X10)	4	
10	09125-05050	SCREW (5X8)	1	
11	43119-88L00	PLATE, SWIVEL BRKT LOWER STBD	1	
12	43119-88L10	PLATE, SWIVEL BRKT LOWER PORT	1	
13	09125-06067	SCREW (6X16)	2	
14	43114-88L00	WASHER, SWIVEL TO CLAMP BRKT	2	
15	09160-39003	WASHER (39.5X58X0.3)	2	
16	09282-39001	OIL SEAL (39X51X5)	1	
17	09160-39002	WASHER (39.5X58X1)	2	
18	09380-38003	CIRCLIP	1	
19	41221-88L00-0EP	LEVER, TILT LOCK STBD (BLACK)	1	
20	41280-88L10-0EP	LEVER, TILT LOCK PORT (BLACK)	1	
21	41224-88L00	BUSH, TILT LOCK LEVER	2	
22	29141-93J00	NUT, TILT LOCK LEVER STBD	1	
23	41231-88L01	LINK, TILT LOCK LEVER	1	
24	41234-88L00	ARM, TILT LOCK LINK	1	
25	45731-96312	BRACKET, SPRING	1	
26	09125-06063	SCREW (6X10)	1	
27	09443-10043	SPRING	1	

FIG.275

FIG.275 (3-B-6) SWIVEL BRACKET (DF60ATH E40)



REF NO.	PART NO.	DESCRIPTION	Q'TY	REMARKS
1	43111-88L40-0EP	BRACKET, SWIVEL (L) (BLACK)	1	
2	43211-88L00	BUSH, SWIVEL BRACKET	2	
3	43711-97E01	BUSH, STEERING	2	
4	43750-88L21-0EP	BRACKET, STEERING (L) (BLACK)	1	
5	22511-99011	NIPPLE, GREASE	4	
6	36894-87D00	LEAD (CLAMP TO SWIVEL)	1	
7	36895-87D01	LEAD (SWIVEL TO MOUNT BRKT)	1	
8	36895-87D01	LEAD (SWIVEL TO HOUSING)	1	
9	09125-06063	SCREW (6X10)	4	
10	09125-05050	SCREW (5X8)	1	
11	43119-88L00	PLATE, SWIVEL BRKT LOWER STBD	1	
12	43119-88L10	PLATE, SWIVEL BRKT LOWER PORT	1	
13	09125-06067	SCREW (6X16)	2	
14	43114-88L00	WASHER, SWIVEL TO CLAMP BRKT	2	
15	09160-39003	WASHER (39.5X58X0.3)	2	
16	09282-39001	OIL SEAL (39X51X5)	1	
17	09160-39002	WASHER (39.5X58X1)	2	
18	09380-38003	CIRCLIP	1	
19	41221-88L00-0EP	LEVER, TILT LOCK STBD (BLACK)	1	
20	41280-88L10-0EP	LEVER, TILT LOCK PORT (BLACK)	1	
21	41224-88L00	BUSH, TILT LOCK LEVER	2	
22	29141-93J00	NUT, TILT LOCK LEVER STBD	1	
23	41231-88L01	LINK, TILT LOCK LEVER	1	
24	41234-88L00	ARM, TILT LOCK LINK	1	
25	45731-96312	BRACKET, SPRING	1	
26	09125-06063	SCREW (6X10)	1	
27	09443-10043	SPRING	1	

FIG.276

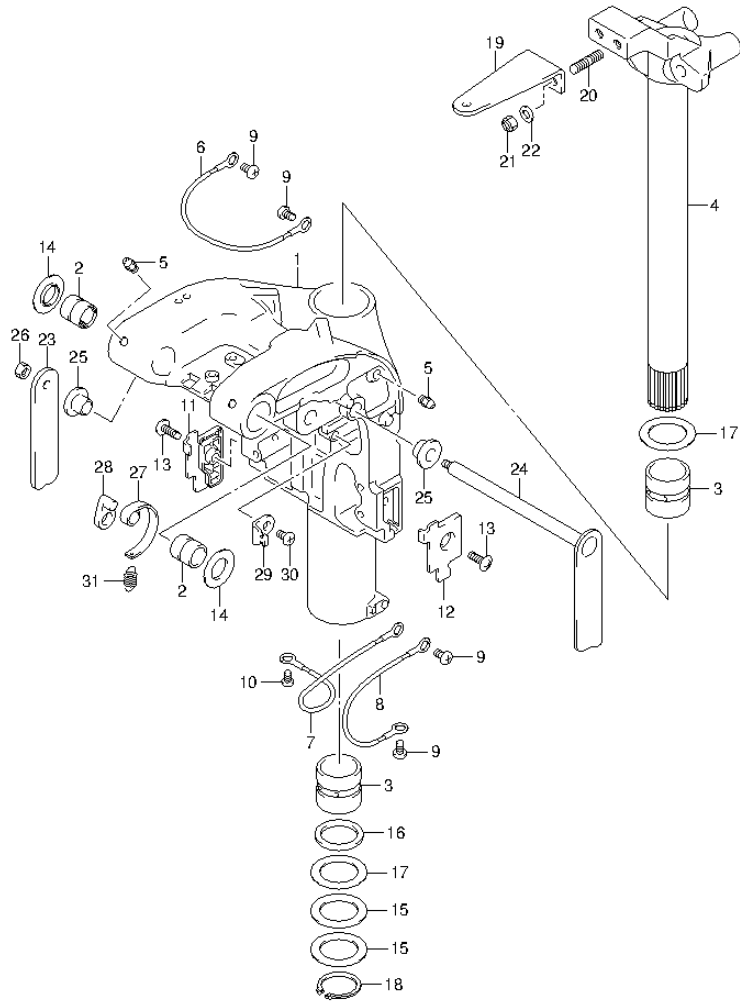
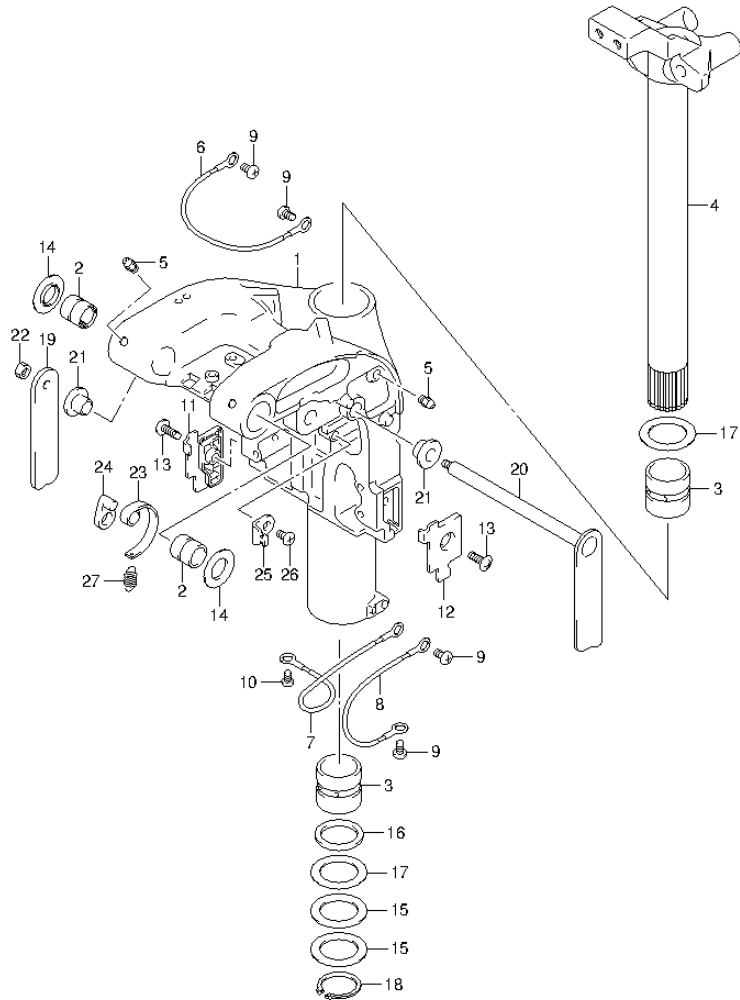


FIG.276 (3-B-7) SWIVEL BRACKET (DF50AVT E01)

REF NO.	PART NO.	DESCRIPTION	Q'TY	REMARKS
1	43111-88L50-0EP	BRACKET, SWIVEL (S) (BLACK)	1	
2	43211-88L00	BUSH, SWIVEL BRACKET	2	
3	43711-97E01	BUSH, STEERING	2	
4	43750-88L31-0EP	BRACKET, STEERING (S) (BLACK)	1	
5	22511-99011	NIPPLE, GREASE	4	
6	36894-87D00	LEAD (CLAMP TO SWIVEL)	1	
7	36895-87D01	LEAD (SWIVEL TO MOUNT BRKT)	1	
8	36895-87D01	LEAD (SWIVEL TO HOUSING)	1	
9	09125-06063	SCREW (6X10)	4	
10	09125-05050	SCREW (5X8)	1	
11	43119-88L00	PLATE, SWIVEL BRKT LOWER STBD	1	
12	43119-88L10	PLATE, SWIVEL BRKT LOWER PORT	1	
13	09125-06067	SCREW (6X16)	2	
14	43114-88L00	WASHER, SWIVEL TO CLAMP BRKT	2	
15	09160-39003	WASHER (39.5X58X0.3)	2	
16	09282-39001	OIL SEAL (39X51X5)	1	
17	09160-39002	WASHER (39.5X58X1)	2	
18	09380-38003	CIRCLIP	1	
19	43755-88L00-0EP	ATTACHMENT, STEERING BRKT (BLACK)	1	
20	09108-10161	STUD BOLT	2	
21	09159-10050	NUT	2	
22	09160-10141	WASHER (10.5X19X2)	2	
23	41221-88L00-0EP	LEVER, TILT LOCK STBD (BLACK)	1	
24	41280-88L10-0EP	LEVER, TILT LOCK PORT (BLACK)	1	
25	41224-88L00	BUSH, TILT LOCK LEVER	2	
26	29141-93J00	NUT, TILT LOCK LEVER STBD	1	
27	41231-88L01	LINK, TILT LOCK LEVER	1	
28	41234-88L00	ARM, TILT LOCK LINK	1	
29	45731-96312	BRACKET, SPRING	1	
30	09125-06063	SCREW (6X10)	1	
31	09443-10043	SPRING	1	

FIG.277

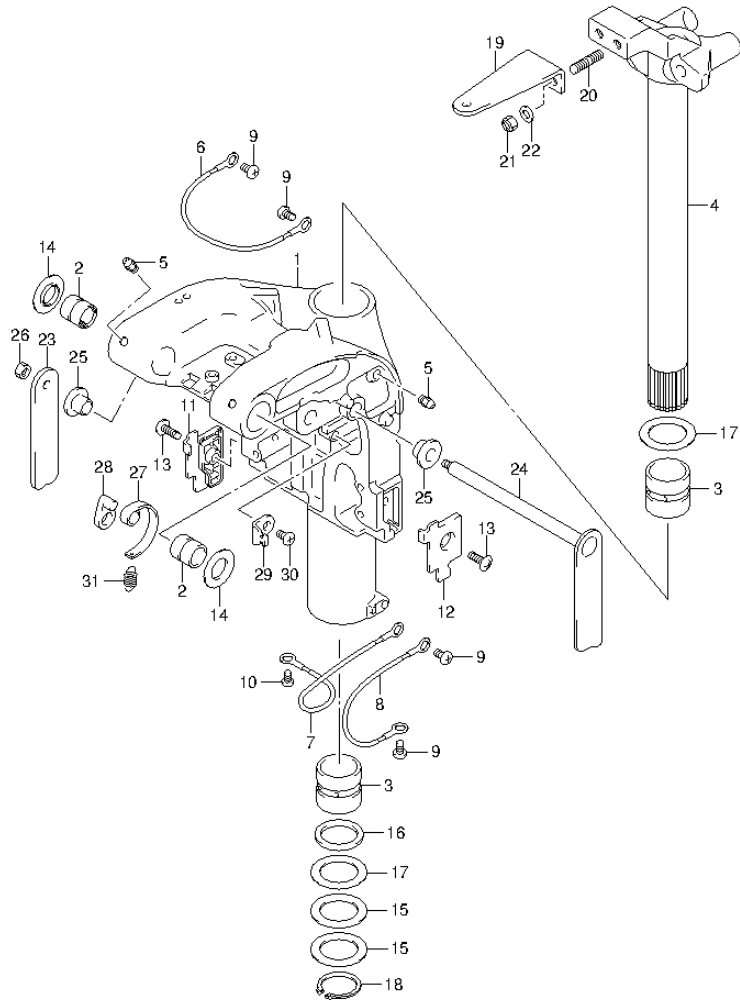
FIG.277 (3-B-8) SWIVEL BRACKET (DF50AVTH E01)



REF NO.	PART NO.	DESCRIPTION	Q'TY	REMARKS
1	43111-88L50-0EP	BRACKET, SWIVEL (S) (BLACK)	1	
2	43211-88L00	BUSH, SWIVEL BRACKET	2	
3	43711-97E01	BUSH, STEERING	2	
4	43750-88L31-0EP	BRACKET, STEERING (S) (BLACK)	1	
5	22511-99011	NIPPLE, GREASE	4	
6	36894-87D00	LEAD (CLAMP TO SWIVEL)	1	
7	36895-87D01	LEAD (SWIVEL TO MOUNT BRKT)	1	
8	36895-87D01	LEAD (SWIVEL TO HOUSING)	1	
9	09125-06063	SCREW (6X10)	4	
10	09125-05050	SCREW (5X8)	1	
11	43119-88L00	PLATE, SWIVEL BRKT LOWER STBD	1	
12	43119-88L10	PLATE, SWIVEL BRKT LOWER PORT	1	
13	09125-06067	SCREW (6X16)	2	
14	43114-88L00	WASHER, SWIVEL TO CLAMP BRKT	2	
15	09160-39003	WASHER (39.5X58X0.3)	2	
16	09282-39001	OIL SEAL (39X51X5)	1	
17	09160-39002	WASHER (39.5X58X1)	2	
18	09380-38003	CIRCLIP	1	
19	41221-88L00-0EP	LEVER, TILT LOCK STBD (BLACK)	1	
20	41280-88L10-0EP	LEVER, TILT LOCK PORT (BLACK)	1	
21	41224-88L00	BUSH, TILT LOCK LEVER	2	
22	29141-93J00	NUT, TILT LOCK LEVER STBD	1	
23	41231-88L01	LINK, TILT LOCK LEVER	1	
24	41234-88L00	ARM, TILT LOCK LINK	1	
25	45731-96312	BRACKET, SPRING	1	
26	09125-06063	SCREW (6X10)	1	
27	09443-10043	SPRING	1	

FIG.278

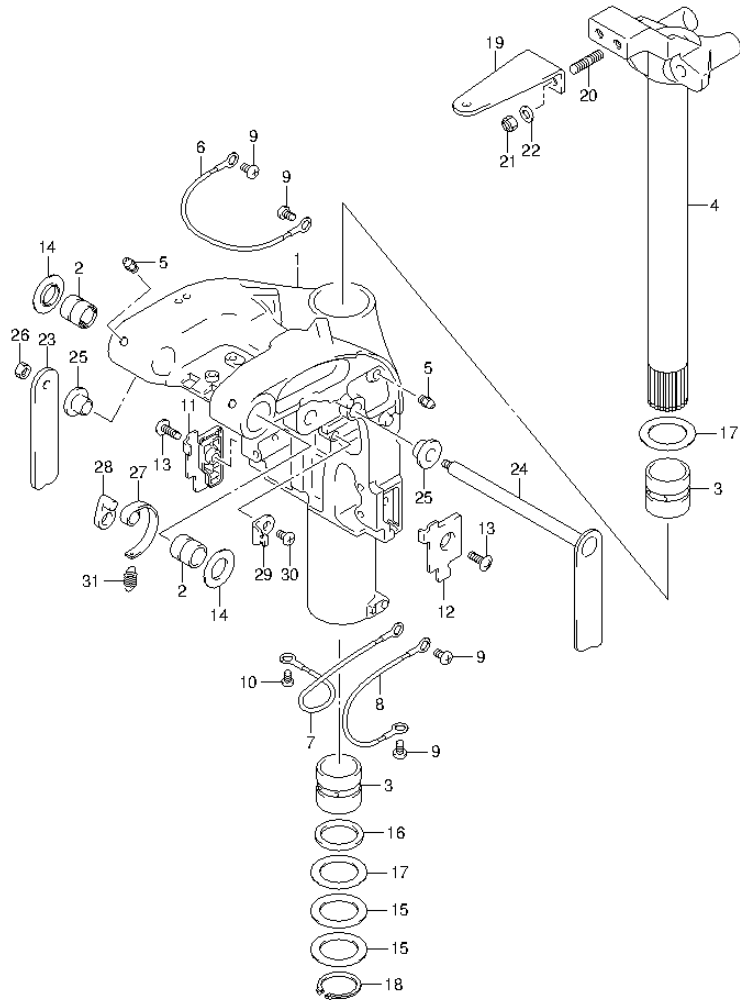
FIG.278 (3-B-9) SWIVEL BRACKET (DF60AVT E01)



REF NO.	PART NO.	DESCRIPTION	Q'TY	REMARKS
1-1	43111-88L50-0EP	BRACKET, SWIVEL (S) (BLACK)	1	W/TRANSOM(L)
1-2	43111-88L40-0EP	BRACKET, SWIVEL (L) (BLACK)	1	W/TRANSOM(X)
2	43211-88L00	BUSH, SWIVEL BRACKET	2	
3	43711-97E01	BUSH, STEERING	2	
4-1	43750-88L31-0EP	BRACKET, STEERING (S) (BLACK)	1	W/TRANSOM(L)
4-2	43750-88L21-0EP	BRACKET, STEERING (L) (BLACK)	1	W/TRANSOM(X)
5	22511-99011	NIPPLE, GREASE	4	
6	36894-87D00	LEAD (CLAMP TO SWIVEL)	1	
7	36895-87D01	LEAD (SWIVEL TO MOUNT BRKLT)	1	
8	36895-87D01	LEAD (SWIVEL TO HOUSING)	1	
9	09125-06063	SCREW (6X10)	4	
10	09125-05050	SCREW (5X8)	1	
11	43119-88L00	PLATE, SWIVEL BRKT LOWER STBD	1	
12	43119-88L10	PLATE, SWIVEL BRKT LOWER PORT	1	
13	09125-06067	SCREW (6X16)	2	
14	43114-88L00	WASHER, SWIVEL TO CLAMP BRKT	2	
15	09160-39003	WASHER (39.5X58X0.3)	2	
16	09282-39001	OIL SEAL (39X51X5)	1	
17	09160-39002	WASHER (39.5X58X1)	2	
18	09380-38003	CIRCLIP	1	
19	43755-88L00-0EP	ATTACHMENT, STEERING BRKT (BLACK)	1	
20	09108-10161	STUD BOLT	2	
21	09159-10050	NUT	2	
22	09160-10141	WASHER (10.5X19X2)	2	
23	41221-88L00-0EP	LEVER, TILT LOCK STBD (BLACK)	1	
24	41280-88L10-0EP	LEVER, TILT LOCK PORT (BLACK)	1	
25	41224-88L00	BUSH, TILT LOCK LEVER	2	
26	29141-93J00	NUT, TILT LOCK LEVER STBD	1	
27	41231-88L01	LINK, TILT LOCK LEVER	1	
28	41234-88L00	ARM, TILT LOCK LINK	1	
29	45731-96312	BRACKET, SPRING	1	
30	09125-06063	SCREW (6X10)	1	
31	09443-10043	SPRING	1	

FIG.279

FIG.279 (3-B-10) SWIVEL BRACKET (DF60AVT E40)



REF NO.	PART NO.	DESCRIPTION	Q'TY	REMARKS
1-1	43111-88L50-OEP	BRACKET, SWIVEL (S) (BLACK)	1	W/TRANSOM(L)
1-2	43111-88L40-OEP	BRACKET, SWIVEL (L) (BLACK)	1	W/TRANSOM(X)
2	43211-88L00	BUSH, SWIVEL BRACKET	2	
3	43711-97E01	BUSH, STEERING	2	
4-1	43750-88L31-OEP	BRACKET, STEERING (S) (BLACK)	1	W/TRANSOM(L)
4-2	43750-88L21-OEP	BRACKET, STEERING (L) (BLACK)	1	W/TRANSOM(X)
5	22511-99011	NIPPLE, GREASE	4	
6	36894-87D00	LEAD (CLAMP TO SWIVEL)	1	
7	36895-87D01	LEAD (SWIVEL TO MOUNT BRKTT)	1	
8	36895-87D01	LEAD (SWIVEL TO HOUSING)	1	
9	09125-06063	SCREW (6X10)	4	
10	09125-05050	SCREW (5X8)	1	
11	43119-88L00	PLATE, SWIVEL BRKTT LOWER STBD	1	
12	43119-88L10	PLATE, SWIVEL BRKTT LOWER PORT	1	
13	09125-06067	SCREW (6X16)	2	
14	43114-88L00	WASHER, SWIVEL TO CLAMP BRKTT	2	
15	09160-39003	WASHER (39.5X58X0.3)	2	
16	09282-39001	OIL SEAL (39X51X5)	1	
17	09160-39002	WASHER (39.5X58X1)	2	
18	09380-38003	CIRCLIP	1	
19	43755-88L00-OEP	ATTACHMENT, STEERING BRKTT (BLACK)	1	
20	09108-10161	STUD BOLT	2	
21	09159-10050	NUT	2	
22	09160-10141	WASHER (10.5X19X2)	2	
23	41221-88L00-OEP	LEVER, TILT LOCK STBD (BLACK)	1	
24	41280-88L10-OEP	LEVER, TILT LOCK PORT (BLACK)	1	
25	41224-88L00	BUSH, TILT LOCK LEVER	2	
26	29141-93J00	NUT, TILT LOCK LEVER STBD	1	
27	41231-88L01	LINK, TILT LOCK LEVER	1	
28	41234-88L00	ARM, TILT LOCK LINK	1	
29	45731-96312	BRACKET, SPRING	1	
30	09125-06063	SCREW (6X10)	1	
31	09443-10043	SPRING	1	

FIG.280

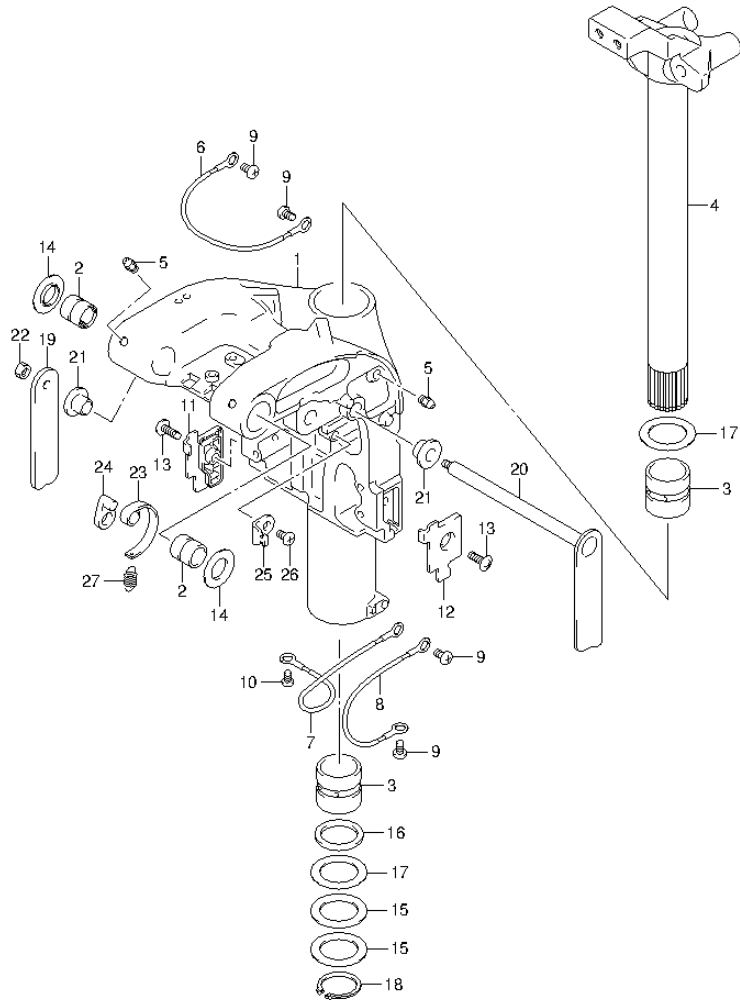
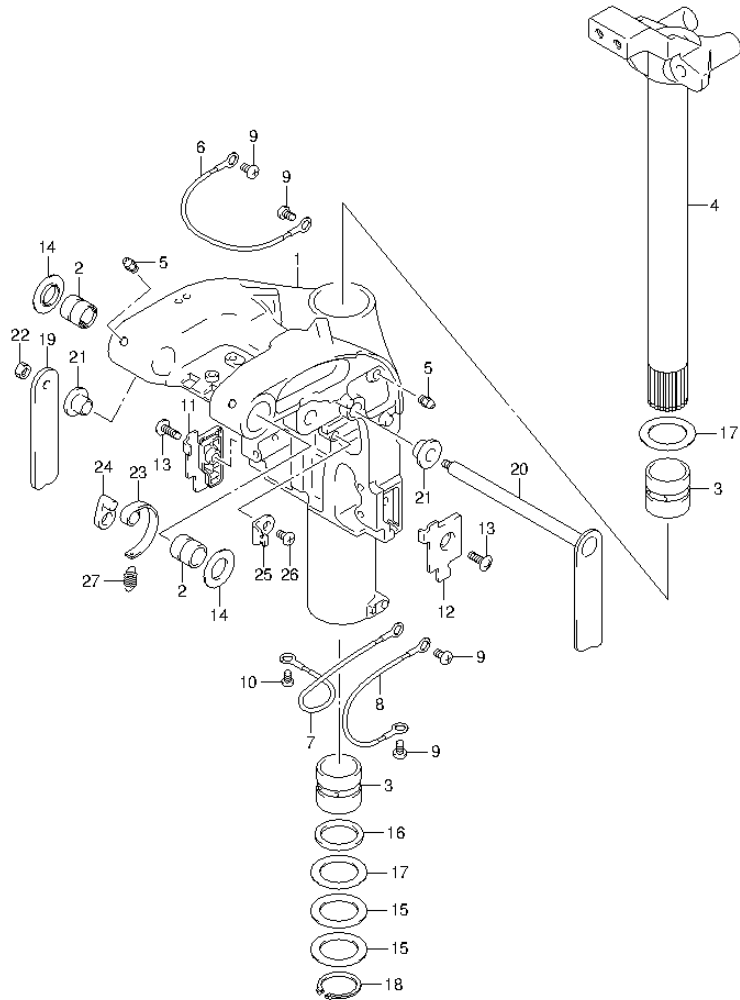


FIG.280 (3-B-11) SWIVEL BRACKET (DF60AVTH E01)

REF NO.	PART NO.	DESCRIPTION	Q'TY	REMARKS
1-1	43111-88L50-0EP	BRACKET, SWIVEL (S) (BLACK)	1	W/TRANSOM(L)
1-2	43111-88L40-0EP	BRACKET, SWIVEL (L) (BLACK)	1	W/TRANSOM(X)
2	43211-88L00	BUSH, SWIVEL BRACKET	2	
3	43711-97E01	BUSH, STEERING	2	
4-1	43750-88L31-0EP	BRACKET, STEERING (S) (BLACK)	1	W/TRANSOM(L)
4-2	43750-88L21-0EP	BRACKET, STEERING (L) (BLACK)	1	W/TRANSOM(X)
5	22511-99011	NIPPLE, GREASE	4	
6	36894-87D00	LEAD (CLAMP TO SWIVEL)	1	
7	36895-87D01	LEAD (SWIVEL TO MOUNT BRKT)	1	
8	36895-87D01	LEAD (SWIVEL TO HOUSING)	1	
9	09125-06063	SCREW (6X10)	4	
10	09125-05050	SCREW (5X8)	1	
11	43119-88L00	PLATE, SWIVEL BRKT LOWER STBD	1	
12	43119-88L10	PLATE, SWIVEL BRKT LOWER PORT	1	
13	09125-06067	SCREW (6X16)	2	
14	43114-88L00	WASHER, SWIVEL TO CLAMP BRKT	2	
15	09160-39003	WASHER (39.5X58X0.3)	2	
16	09282-39001	OIL SEAL (39X51X5)	1	
17	09160-39002	WASHER (39.5X58X1)	2	
18	09380-38003	CIRCLIP	1	
19	41221-88L00-0EP	LEVER, TILT LOCK STBD (BLACK)	1	
20	41280-88L10-0EP	LEVER, TILT LOCK PORT (BLACK)	1	
21	41224-88L00	BUSH, TILT LOCK LEVER	2	
22	29141-93J00	NUT, TILT LOCK LEVER STBD	1	
23	41231-88L01	LINK, TILT LOCK LEVER	1	
24	41234-88L00	ARM, TILT LOCK LINK	1	
25	45731-96312	BRACKET, SPRING	1	
26	09125-06063	SCREW (6X10)	1	
27	09443-10043	SPRING	1	

FIG.281

FIG.281 (3-B-12) SWIVEL BRACKET (DF60AVTH E40)



REF NO.	PART NO.	DESCRIPTION	Q'TY	REMARKS
1-1	43111-88L50-0EP	BRACKET, SWIVEL (S) (BLACK)	1	W/TRANSOM(L)
1-2	43111-88L40-0EP	BRACKET, SWIVEL (L) (BLACK)	1	W/TRANSOM(X)
2	43211-88L00	BUSH, SWIVEL BRACKET	2	
3	43711-97E01	BUSH, STEERING	2	
4-1	43750-88L31-0EP	BRACKET, STEERING (S) (BLACK)	1	W/TRANSOM(L)
4-2	43750-88L21-0EP	BRACKET, STEERING (L) (BLACK)	1	W/TRANSOM(X)
5	22511-99011	NIPPLE, GREASE	4	
6	36894-87D00	LEAD (CLAMP TO SWIVEL)	1	
7	36895-87D01	LEAD (SWIVEL TO MOUNT BRKTT)	1	
8	36895-87D01	LEAD (SWIVEL TO HOUSING)	1	
9	09125-06063	SCREW (6X10)	4	
10	09125-05050	SCREW (5X8)	1	
11	43119-88L00	PLATE, SWIVEL BRKTT LOWER STBD	1	
12	43119-88L10	PLATE, SWIVEL BRKTT LOWER PORT	1	
13	09125-06067	SCREW (6X16)	2	
14	43114-88L00	WASHER, SWIVEL TO CLAMP BRKTT	2	
15	09160-39003	WASHER (39.5X58X0.3)	2	
16	09282-39001	OIL SEAL (39X51X5)	1	
17	09160-39002	WASHER (39.5X58X1)	2	
18	09380-38003	CIRCLIP	1	
19	41221-88L00-0EP	LEVER, TILT LOCK STBD (BLACK)	1	
20	41280-88L10-0EP	LEVER, TILT LOCK PORT (BLACK)	1	
21	41224-88L00	BUSH, TILT LOCK LEVER	2	
22	29141-93J00	NUT, TILT LOCK LEVER STBD	1	
23	41231-88L01	LINK, TILT LOCK LEVER	1	
24	41234-88L00	ARM, TILT LOCK LINK	1	
25	45731-96312	BRACKET, SPRING	1	
26	09125-06063	SCREW (6X10)	1	
27	09443-10043	SPRING	1	

FIG.282

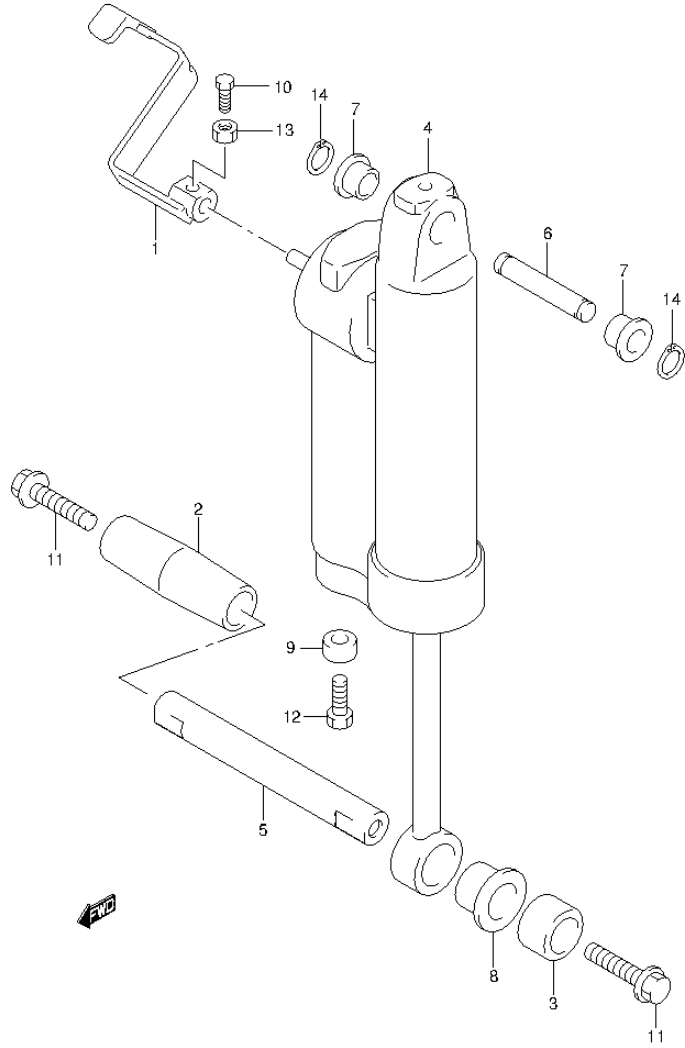


FIG.282 (3-B-13) GAS CYLINDER (DF40AQH E01)

REF NO.	PART NO.	DESCRIPTION	Q'TY	REMARKS
1	45260-89J00	LEVER, RELEASE	1	
2	47225-89J00	COLLAR, TILT CYL LOWER STBD	1	
3	47226-89J00	COLLAR, TILT CYL LOWER PORT	1	
4	47400-87J32	CYLINDER ASSY, GAS	1	
5	48121-89J10	SHAFT, TILT CYLINDER LOWER	1	
6	48321-89J11	SHAFT, TILT CYLINDER UPPER	1	
7	48325-89J00	BUSH, TILT CYLINDER UPPER	2	
8	48326-89J00	BUSH, TILT CYLINDER LOWER	1	
9	55321-87J00	ANODE, PROTECTION	1	
10	09100-06113	BOLT (6X16)	1	
11	09116-10179	BOLT	2	
12	09103-06281	BOLT (6X14)	1	
13	09140-06020	NUT	1	
14	09380-12002	SNAP RING	2	

FIG.283

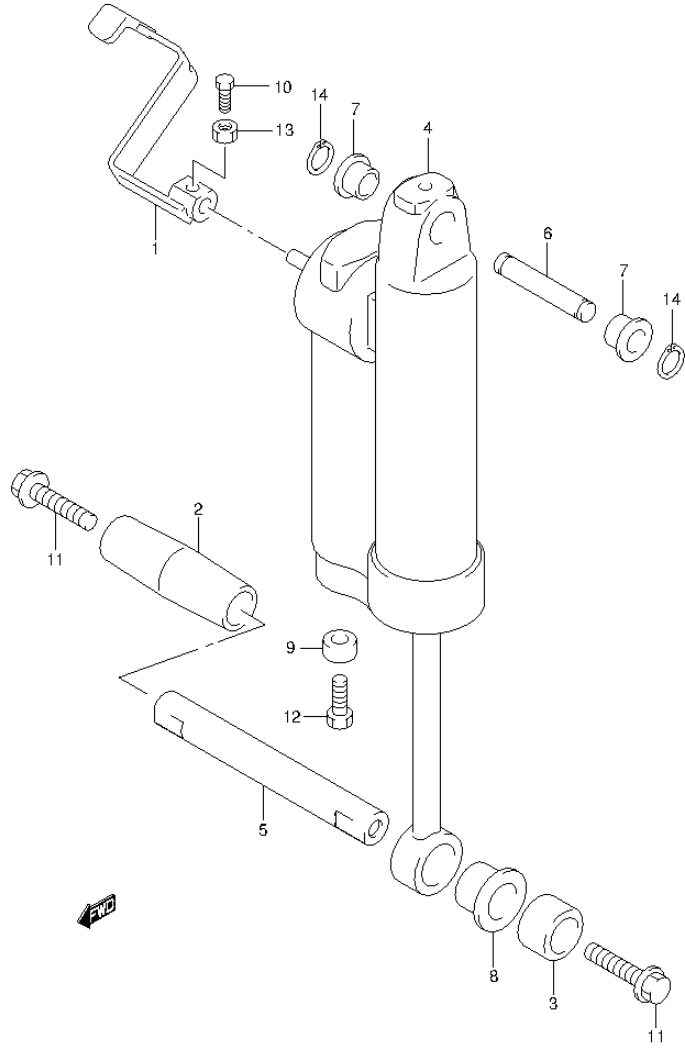


FIG.283 (3-B-14) GAS CYLINDER (DF60AQH E01)

REF NO.	PART NO.	DESCRIPTION	Q'TY	REMARKS
1	45260-89J00	LEVER, RELEASE	1	
2	47225-89J00	COLLAR, TILT CYL LOWER STBD	1	
3	47226-89J00	COLLAR, TILT CYL LOWER PORT	1	
4	47400-87J32	CYLINDER ASSY, GAS	1	
5	48121-89J10	SHAFT, TILT CYLINDER LOWER	1	
6	48321-89J11	SHAFT, TILT CYLINDER UPPER	1	
7	48325-89J00	BUSH, TILT CYLINDER UPPER	2	
8	48326-89J00	BUSH, TILT CYLINDER LOWER	1	
9	55321-87J00	ANODE, PROTECTION	1	
10	09100-06113	BOLT (6X16)	1	
11	09116-10179	BOLT	2	
12	09103-06281	BOLT (6X14)	1	
13	09140-06020	NUT	1	
14	09380-12002	SNAP RING	2	

FIG.285

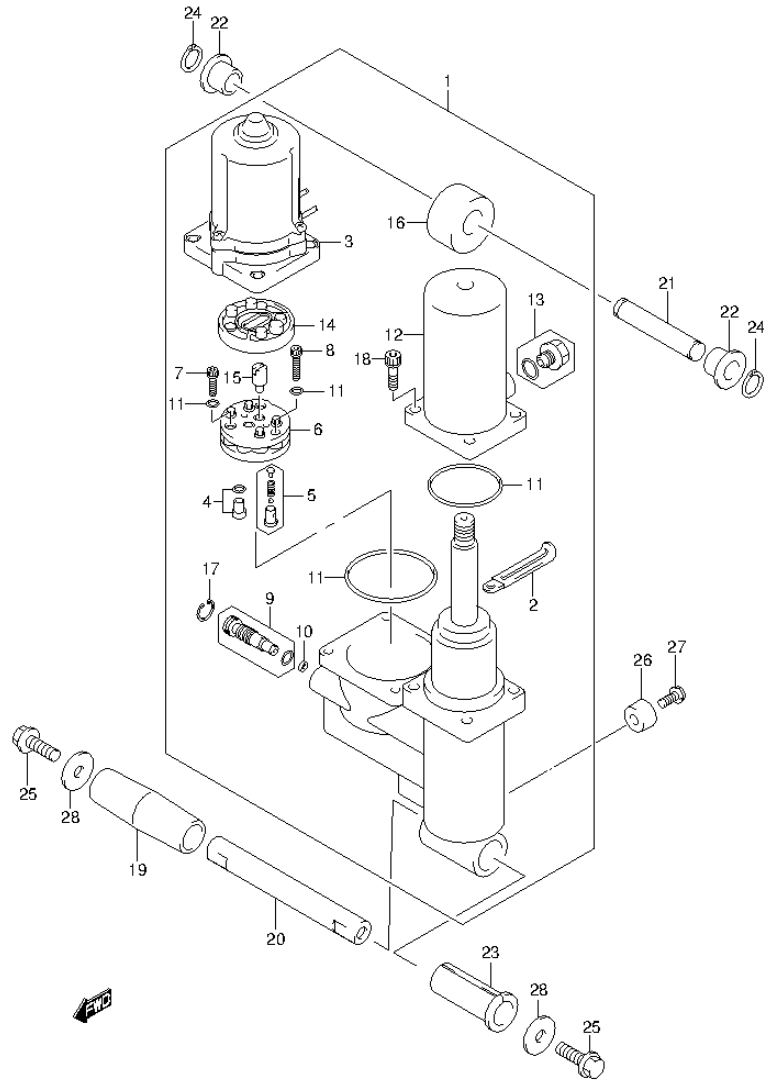


FIG.285 (3-C-2) TRIM CYLINDER (DF40A E01)

REF NO.	PART NO.	DESCRIPTION	Q'TY	REMARKS
1	48000-88L15	TRIM ASSY, POWER WITH TILT	1	
2	29404-93J10	.CLAMP	1	
3	38100-88L11	.MOTOR ASSY, PTT	1	
4	48320-87J10	.VALVE, UPPER PRESSURE	1	
5	48330-87J10	.VALVE, DOWN PRESSURE	1	
6	48510-97E00	.PUMP ASSY, GEAR	1	
7	48541-87J10	.BOLT	2	
8	48541-87J20	.BOLT	1	
9	48551-88L00	.VALVE, MANUAL	1	
10	48553-88L00	.SEAL WASHER	1	
11	48557-87J10	.O RING SET	1	
12	48571-88L00	.TANK, RESERVOIR	1	
13	48572-87L00	.PLUG	1	
14	48582-97E01	.FILTER	1	
15	48583-87J10	.JOINT, DRIVE	1	
16	48611-88L00	.JOINT, METAL	1	
17	48681-87J11	.CIRCLIP	1	
18	48862-87J20	.BOLT, TANK	4	
19	47225-87J00	COLLAR, TILT CYLINDER LOWER	1	
20	48121-89J10	SHAFT, TILT CYL LOWER	1	
21	48321-89J11	SHAFT, TILT CYL UPPER	1	
22	48325-89J00	BUSH, TILT CYL UPPER	2	
23	48326-87J00	BUSH, TILT CYL LOWER	1	
24	09380-12002	SNAP RING	2	
25	09116-10179	BOLT	2	
26	55321-87J00	ANODE, PROTECTION	1	
27	09103-06281	BOLT (6X14)	1	
28	09160-10139	WASHER (10.5X35X3)	2	

FIG.286

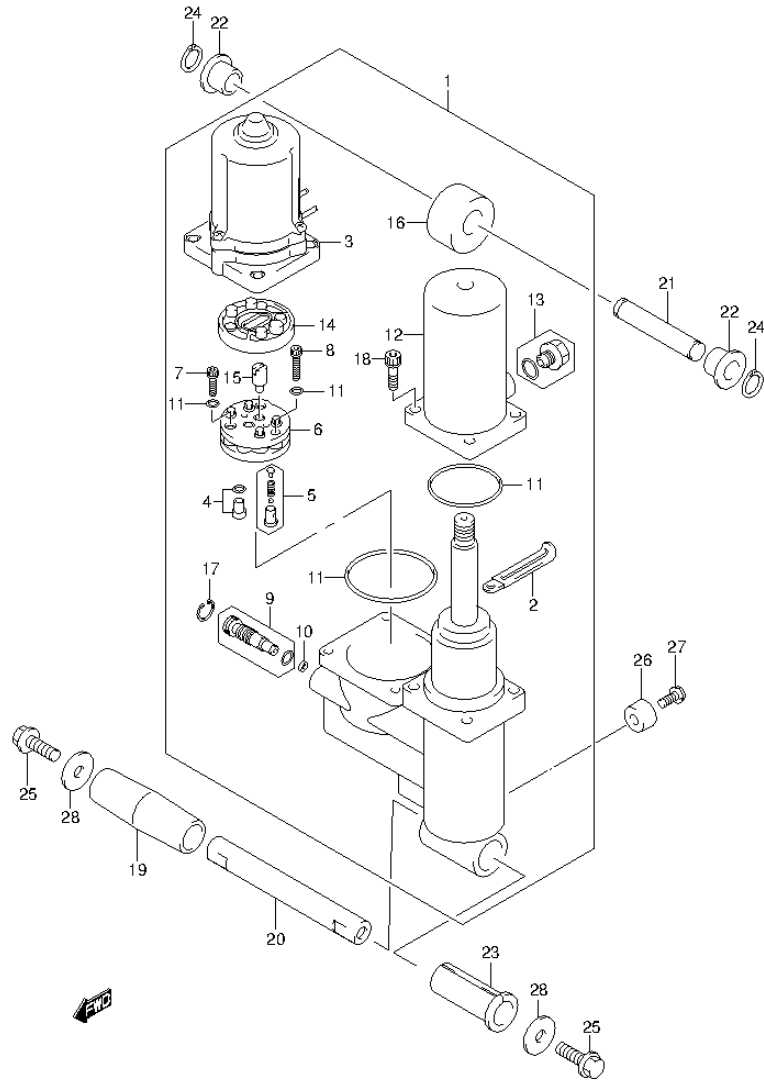


FIG.286 (3-C-3) TRIM CYLINDER (DF40ATH E01)

REF NO.	PART NO.	DESCRIPTION	Q'TY	REMARKS
1	48000-88L15	TRIM ASSY, POWER WITH TILT	1	
2	29404-93J10	.CLAMP	1	
3	38100-88L11	.MOTOR ASSY, PTT	1	
4	48320-87J10	.VALVE, UPPER PRESSURE	1	
5	48330-87J10	.VALVE, DOWN PRESSURE	1	
6	48510-97E00	.PUMP ASSY, GEAR	1	
7	48541-87J10	.BOLT	2	
8	48541-87J20	.BOLT	1	
9	48551-88L00	.VALVE, MANUAL	1	
10	48553-88L00	.SEAL WASHER	1	
11	48557-87J10	.O RING SET	1	
12	48571-88L00	.TANK, RESERVOIR	1	
13	48572-87L00	.PLUG	1	
14	48582-97E01	.FILTER	1	
15	48583-87J10	.JOINT, DRIVE	1	
16	48611-88L00	.JOINT, METAL	1	
17	48681-87J11	.CIRCLIP	1	
18	48862-87J20	.BOLT, TANK	4	
19	47225-87J00	COLLAR, TILT CYLINDER LOWER	1	
20	48121-89J10	SHAFT, TILT CYL LOWER	1	
21	48321-89J11	SHAFT, TILT CYL UPPER	1	
22	48325-89J00	BUSH, TILT CYL UPPER	2	
23	48326-87J00	BUSH, TILT CYL LOWER	1	
24	09380-12002	SNAP RING	2	
25	09116-10179	BOLT	2	
26	55321-87J00	ANODE, PROTECTION	1	
27	09103-06281	BOLT (6X14)	1	
28	09160-10139	WASHER (10.5X35X3)	2	

FIG.287

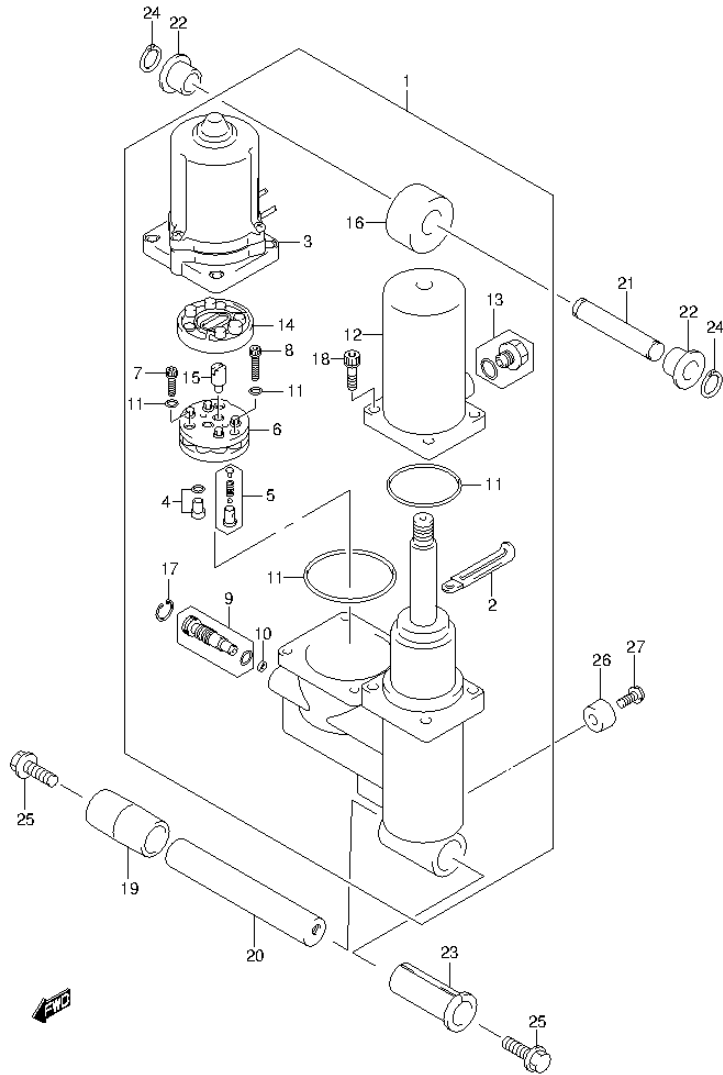


FIG.287 (3-C-4) TRIM CYLINDER (DF40AST E34)

REF NO.	PART NO.	DESCRIPTION	Q'TY	REMARKS
1	48000-88L15	TRIM ASSY, POWER WITH TILT	1	
2	29404-93J10	.CLAMP	1	
3	38100-88L11	.MOTOR ASSY, PTT	1	
4	48320-87J10	.VALVE, UPPER PRESSURE	1	
5	48330-87J10	.VALVE, DOWN PRESSURE	1	
6	48510-97E00	.PUMP ASSY, GEAR	1	
7	48541-87J10	.BOLT	2	
8	48541-87J20	.BOLT	1	
9	48551-88L00	.VALVE, MANUAL	1	
10	48553-88L00	.SEAL WASHER	1	
11	48557-87J10	.O RING SET	1	
12	48571-88L00	.TANK, RESERVOIR	1	
13	48572-87L00	.PLUG	1	
14	48582-97E01	.FILTER	1	
15	48583-87J10	.JOINT, DRIVE	1	
16	48611-88L00	.JOINT, METAL	1	
17	48681-87J11	.CIRCLIP	1	
18	48862-87J20	.BOLT, TANK	4	
19	47225-88L00	COLLAR, TILT CYLINDER LOWER	1	
20	48121-88L00	SHAFT, TILT CYL LOWER	1	
21	48321-89J11	SHAFT, TILT CYL UPPER	1	
22	48325-89J00	BUSH, TILT CYL UPPER	2	
23	48326-87J00	BUSH, TILT CYL LOWER	1	
24	09380-12002	SNAP RING	2	
25	09116-10179	BOLT	2	
26	55321-87J00	ANODE, PROTECTION	1	
27	09103-06281	BOLT (6X14)	1	

FIG.288

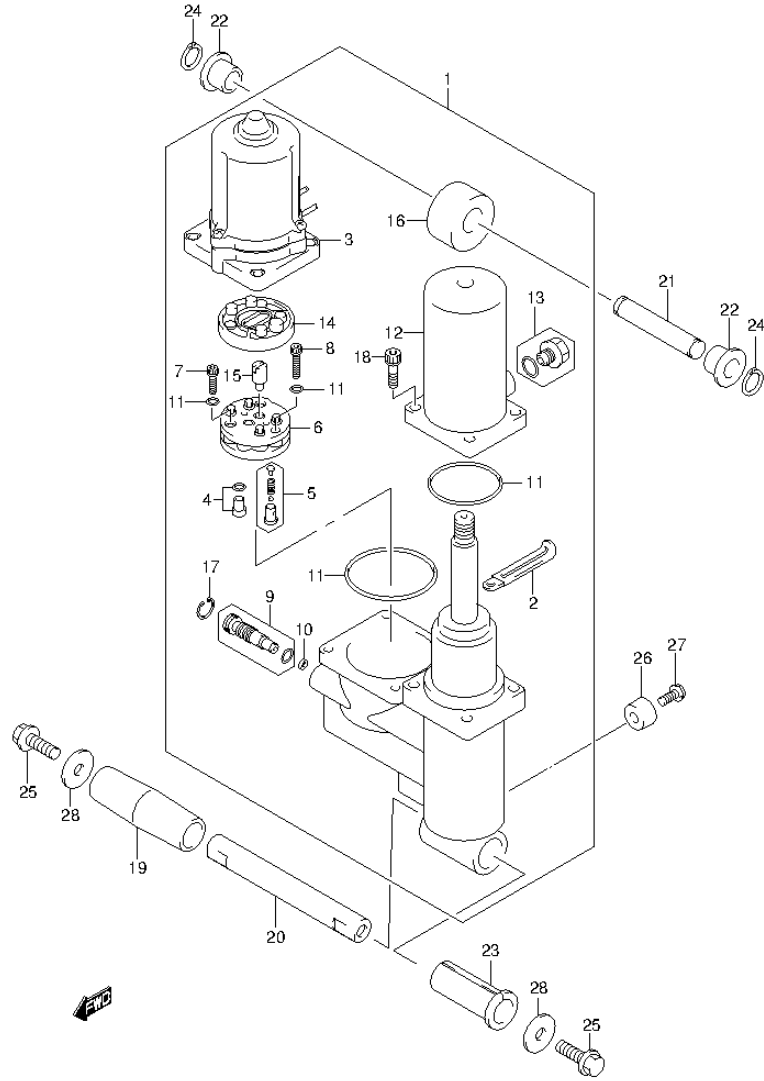


FIG.288 (3-C-5) TRIM CYLINDER (DF50A E01)

REF NO.	PART NO.	DESCRIPTION	Q'TY	REMARKS
1	48000-88L15	TRIM ASSY, POWER WITH TILT	1	
2	29404-93J10	.CLAMP	1	
3	38100-88L11	.MOTOR ASSY, PTT	1	
4	48320-87J10	.VALVE, UPPER PRESSURE	1	
5	48330-87J10	.VALVE, DOWN PRESSURE	1	
6	48510-97E00	.PUMP ASSY, GEAR	1	
7	48541-87J10	.BOLT	2	
8	48541-87J20	.BOLT	1	
9	48551-88L00	.VALVE, MANUAL	1	
10	48553-88L00	.SEAL WASHER	1	
11	48557-87J10	.O RING SET	1	
12	48571-88L00	.TANK, RESERVOIR	1	
13	48572-87L00	.PLUG	1	
14	48582-97E01	.FILTER	1	
15	48583-87J10	.JOINT, DRIVE	1	
16	48611-88L00	.JOINT, METAL	1	
17	48681-87J11	.CIRCLIP	1	
18	48862-87J20	.BOLT, TANK	4	
19	47225-87J00	COLLAR, TILT CYLINDER LOWER	1	
20	48121-89J10	SHAFT, TILT CYL LOWER	1	
21	48321-89J11	SHAFT, TILT CYL UPPER	1	
22	48325-89J00	BUSH, TILT CYL UPPER	2	
23	48326-87J00	BUSH, TILT CYL LOWER	1	
24	09380-12002	SNAP RING	2	
25	09116-10179	BOLT	2	
26	55321-87J00	ANODE, PROTECTION	1	
27	09103-06281	BOLT (6X14)	1	
28	09160-10139	WASHER (10.5X35X3)	2	

FIG.289

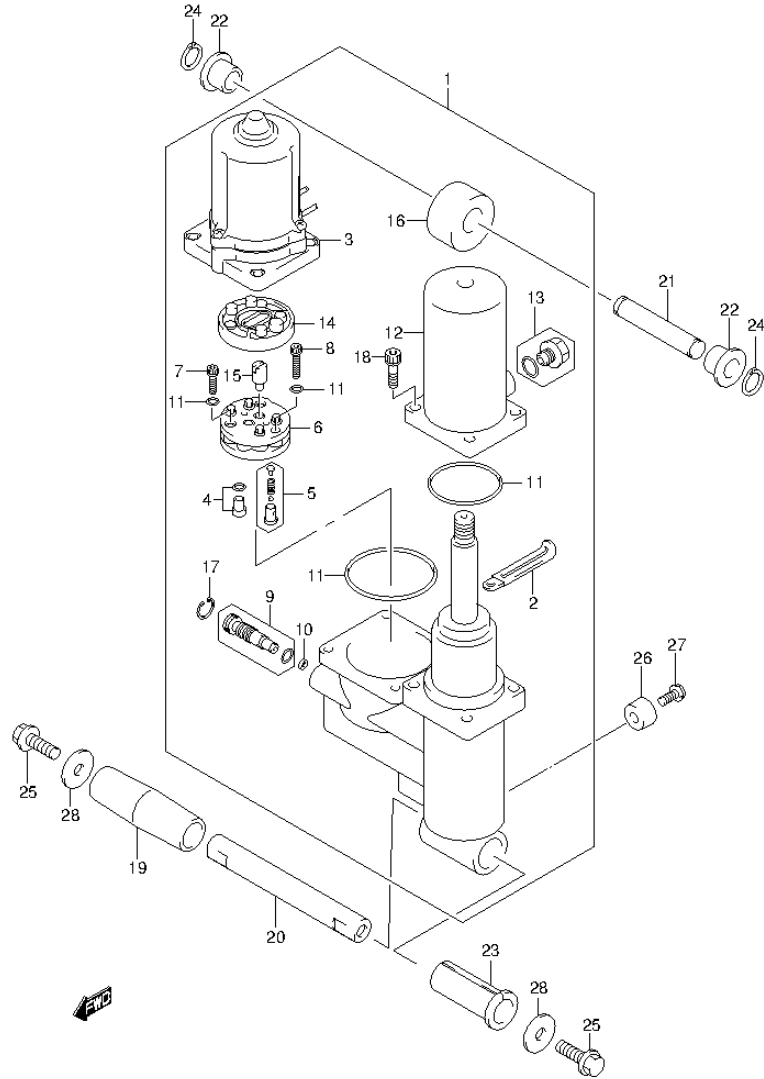


FIG.289 (3-C-6) TRIM CYLINDER (DF50ATH E01)

REF NO.	PART NO.	DESCRIPTION	Q'TY	REMARKS
1	48000-88L15	TRIM ASSY, POWER WITH TILT	1	
2	29404-93J10	.CLAMP	1	
3	38100-88L11	.MOTOR ASSY, PTT	1	
4	48320-87J10	.VALVE, UPPER PRESSURE	1	
5	48330-87J10	.VALVE, DOWN PRESSURE	1	
6	48510-97E00	.PUMP ASSY, GEAR	1	
7	48541-87J10	.BOLT	2	
8	48541-87J20	.BOLT	1	
9	48551-88L00	.VALVE, MANUAL	1	
10	48553-88L00	.SEAL WASHER	1	
11	48557-87J10	.O RING SET	1	
12	48571-88L00	.TANK, RESERVOIR	1	
13	48572-87L00	.PLUG	1	
14	48582-97E01	.FILTER	1	
15	48583-87J10	.JOINT, DRIVE	1	
16	48611-88L00	.JOINT, METAL	1	
17	48681-87J11	.CIRCLIP	1	
18	48862-87J20	.BOLT, TANK	4	
19	47225-87J00	COLLAR, TILT CYLINDER LOWER	1	
20	48121-89J10	SHAFT, TILT CYL LOWER	1	
21	48321-89J11	SHAFT, TILT CYL UPPER	1	
22	48325-89J00	BUSH, TILT CYL UPPER	2	
23	48326-87J00	BUSH, TILT CYL LOWER	1	
24	09380-12002	SNAP RING	2	
25	09116-10179	BOLT	2	
26	55321-87J00	ANODE, PROTECTION	1	
27	09103-06281	BOLT (6X14)	1	
28	09160-10139	WASHER (10.5X35X3)	2	

FIG.290

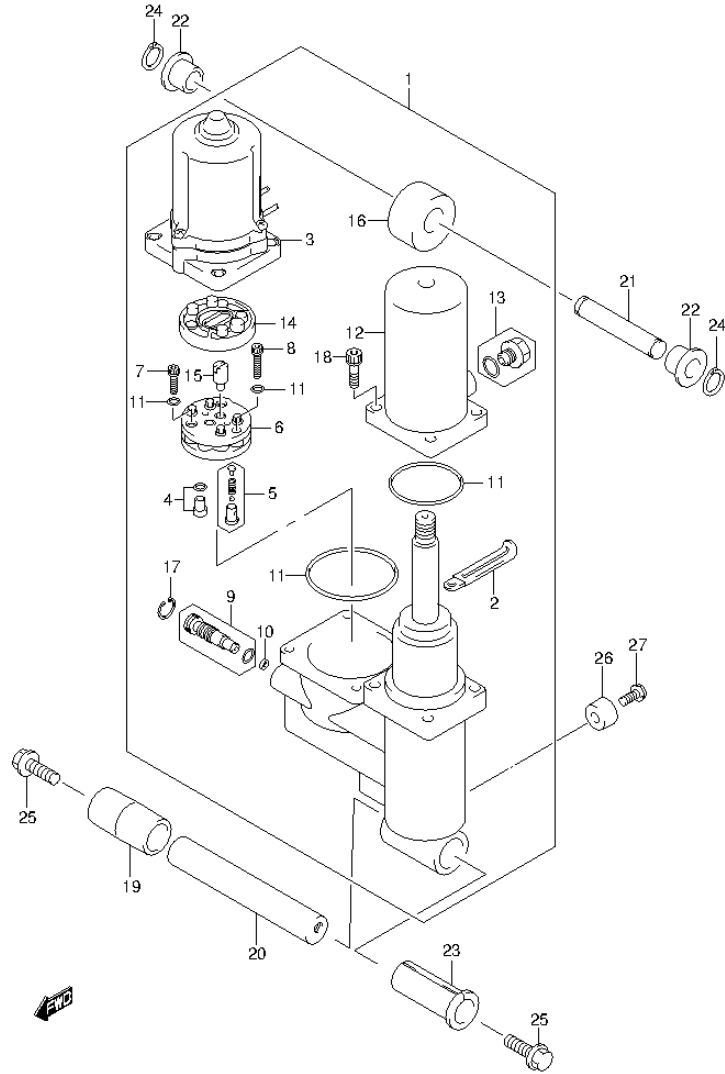


FIG.290 (3-C-7) TRIM CYLINDER (DF60A E01)

REF NO.	PART NO.	DESCRIPTION	Q'TY	REMARKS
1	48000-88L15	TRIM ASSY, POWER WITH TILT	1	
2	29404-93J10	.CLAMP	1	
3	38100-88L11	.MOTOR ASSY, PTT	1	
4	48320-87J10	.VALVE, UPPER PRESSURE	1	
5	48330-87J10	.VALVE, DOWN PRESSURE	1	
6	48510-97E00	.PUMP ASSY, GEAR	1	
7	48541-87J10	.BOLT	2	
8	48541-87J20	.BOLT	1	
9	48551-88L00	.VALVE, MANUAL	1	
10	48553-88L00	.SEAL WASHER	1	
11	48557-87J10	.O RING SET	1	
12	48571-88L00	.TANK, RESERVOIR	1	
13	48572-87L00	.PLUG	1	
14	48582-97E01	.FILTER	1	
15	48583-87J10	.JOINT, DRIVE	1	
16	48611-88L00	.JOINT, METAL	1	
17	48681-87J11	.CIRCLIP	1	
18	48862-87J20	.BOLT, TANK	4	
19	47225-88L00	COLLAR, TILT CYLINDER LOWER	1	
20	48121-88L00	SHAFT, TILT CYL LOWER	1	
21	48321-89J11	SHAFT, TILT CYL UPPER	1	
22	48325-89J00	BUSH, TILT CYL UPPER	2	
23	48326-87J00	BUSH, TILT CYL LOWER	1	
24	09380-12002	SNAP RING	2	
25	09116-10179	BOLT	2	
26	55321-87J00	ANODE, PROTECTION	1	
27	09103-06281	BOLT (6X14)	1	

FIG.291

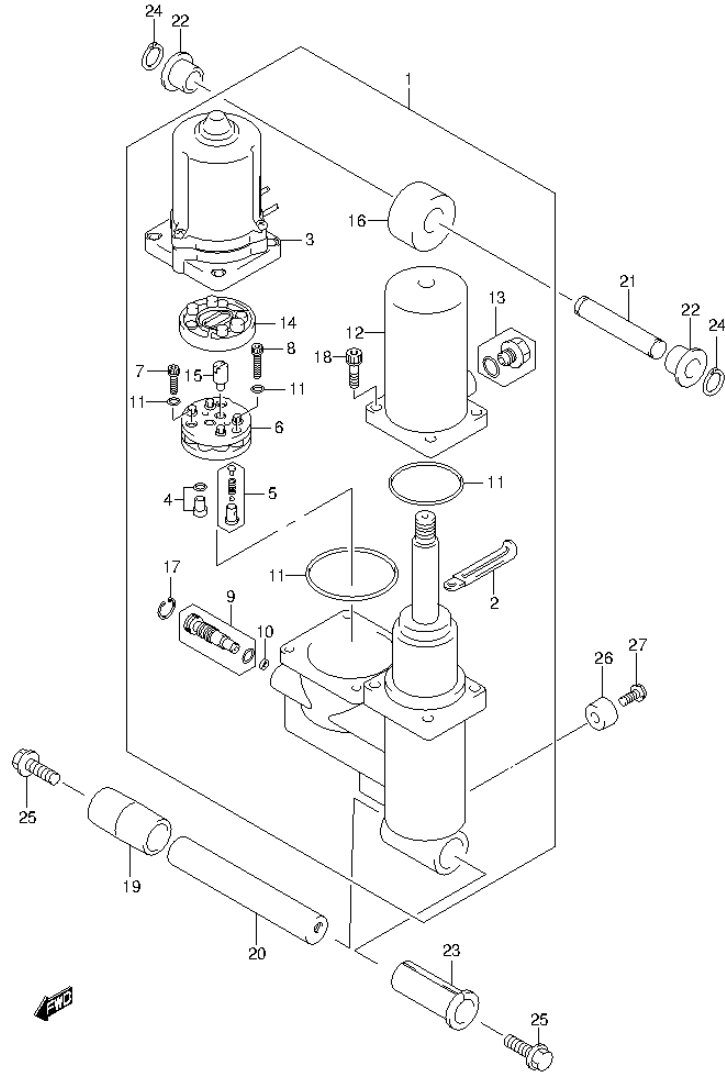


FIG.291 (3-C-8) TRIM CYLINDER (DF60A E40)

REF NO.	PART NO.	DESCRIPTION	Q'TY	REMARKS
1	48000-88L15	TRIM ASSY, POWER WITH TILT	1	
2	29404-93J10	.CLAMP	1	
3	38100-88L11	.MOTOR ASSY, PTT	1	
4	48320-87J10	.VALVE, UPPER PRESSURE	1	
5	48330-87J10	.VALVE, DOWN PRESSURE	1	
6	48510-97E00	.PUMP ASSY, GEAR	1	
7	48541-87J10	.BOLT	2	
8	48541-87J20	.BOLT	1	
9	48551-88L00	.VALVE, MANUAL	1	
10	48553-88L00	.SEAL WASHER	1	
11	48557-87J10	.O RING SET	1	
12	48571-88L00	.TANK, RESERVOIR	1	
13	48572-87L00	.PLUG	1	
14	48582-97E01	.FILTER	1	
15	48583-87J10	.JOINT, DRIVE	1	
16	48611-88L00	.JOINT, METAL	1	
17	48681-87J11	.CIRCLIP	1	
18	48862-87J20	.BOLT, TANK	4	
19	47225-88L00	COLLAR, TILT CYLINDER LOWER	1	
20	48121-88L00	SHAFT, TILT CYL LOWER	1	
21	48321-89J11	SHAFT, TILT CYL UPPER	1	
22	48325-89J00	BUSH, TILT CYL UPPER	2	
23	48326-87J00	BUSH, TILT CYL LOWER	1	
24	09380-12002	SNAP RING	2	
25	09116-10179	BOLT	2	
26	55321-87J00	ANODE, PROTECTION	1	
27	09103-06281	BOLT (6X14)	1	

FIG.292

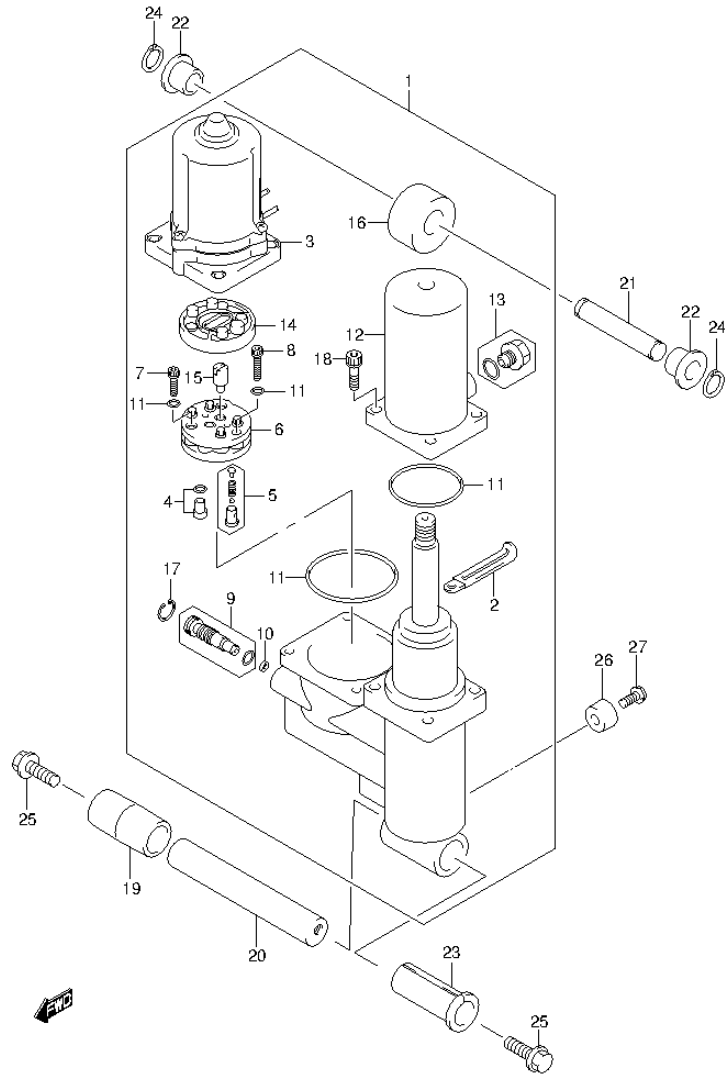


FIG.292 (3-C-9) TRIM CYLINDER (DF60ATH E01)

REF NO.	PART NO.	DESCRIPTION	Q'TY	REMARKS
1	48000-88L15	TRIM ASSY, POWER WITH TILT	1	
2	29404-93J10	.CLAMP	1	
3	38100-88L11	.MOTOR ASSY, PTT	1	
4	48320-87J10	.VALVE, UPPER PRESSURE	1	
5	48330-87J10	.VALVE, DOWN PRESSURE	1	
6	48510-97E00	.PUMP ASSY, GEAR	1	
7	48541-87J10	.BOLT	2	
8	48541-87J20	.BOLT	1	
9	48551-88L00	.VALVE, MANUAL	1	
10	48553-88L00	.SEAL WASHER	1	
11	48557-87J10	.O RING SET	1	
12	48571-88L00	.TANK, RESERVOIR	1	
13	48572-87L00	.PLUG	1	
14	48582-97E01	.FILTER	1	
15	48583-87J10	.JOINT, DRIVE	1	
16	48611-88L00	.JOINT, METAL	1	
17	48681-87J11	.CIRCLIP	1	
18	48862-87J20	.BOLT, TANK	4	
19	47225-88L00	COLLAR, TILT CYLINDER LOWER	1	
20	48121-88L00	SHAFT, TILT CYL LOWER	1	
21	48321-89J11	SHAFT, TILT CYL UPPER	1	
22	48325-89J00	BUSH, TILT CYL UPPER	2	
23	48326-87J00	BUSH, TILT CYL LOWER	1	
24	09380-12002	SNAP RING	2	
25	09116-10179	BOLT	2	
26	55321-87J00	ANODE, PROTECTION	1	
27	09103-06281	BOLT (6X14)	1	

FIG.293

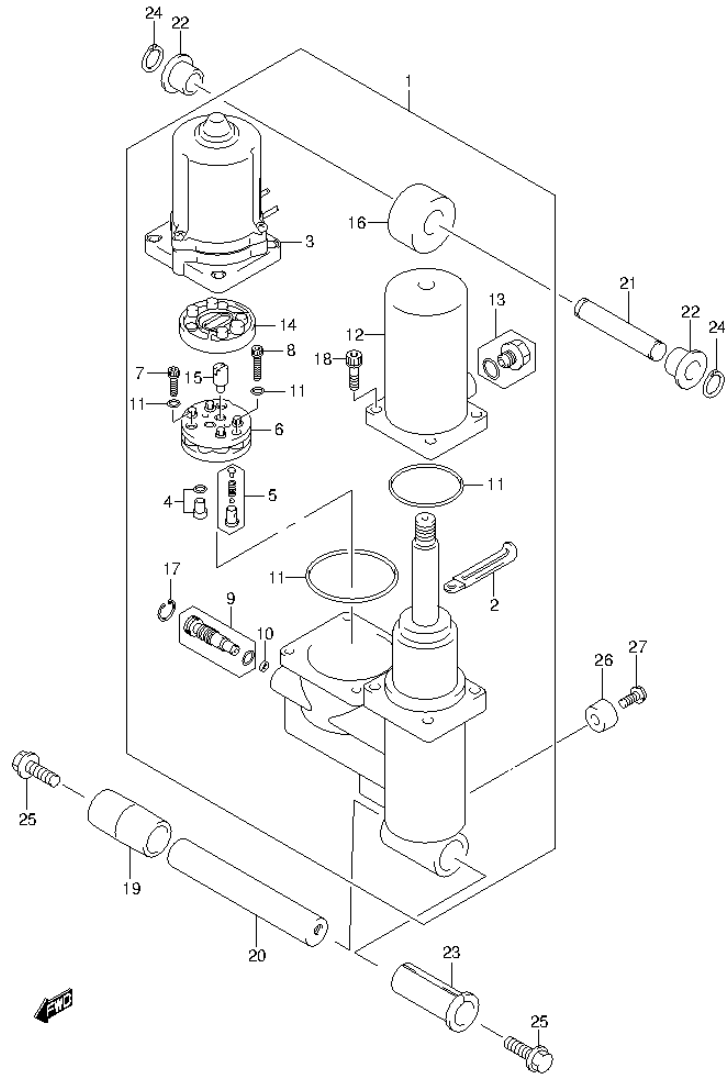


FIG.293 (3-C-10) TRIM CYLINDER (DF60ATH E40)

REF NO.	PART NO.	DESCRIPTION	Q'TY	REMARKS
1	48000-88L15	TRIM ASSY, POWER WITH TILT	1	
2	29404-93J10	.CLAMP	1	
3	38100-88L11	.MOTOR ASSY, PTT	1	
4	48320-87J10	.VALVE, UPPER PRESSURE	1	
5	48330-87J10	.VALVE, DOWN PRESSURE	1	
6	48510-97E00	.PUMP ASSY, GEAR	1	
7	48541-87J10	.BOLT	2	
8	48541-87J20	.BOLT	1	
9	48551-88L00	.VALVE, MANUAL	1	
10	48553-88L00	.SEAL WASHER	1	
11	48557-87J10	.O RING SET	1	
12	48571-88L00	.TANK, RESERVOIR	1	
13	48572-87L00	.PLUG	1	
14	48582-97E01	.FILTER	1	
15	48583-87J10	.JOINT, DRIVE	1	
16	48611-88L00	.JOINT, METAL	1	
17	48681-87J11	.CIRCLIP	1	
18	48862-87J20	.BOLT, TANK	4	
19	47225-88L00	COLLAR, TILT CYLINDER LOWER	1	
20	48121-88L00	SHAFT, TILT CYL LOWER	1	
21	48321-89J11	SHAFT, TILT CYL UPPER	1	
22	48325-89J00	BUSH, TILT CYL UPPER	2	
23	48326-87J00	BUSH, TILT CYL LOWER	1	
24	09380-12002	SNAP RING	2	
25	09116-10179	BOLT	2	
26	55321-87J00	ANODE, PROTECTION	1	
27	09103-06281	BOLT (6X14)	1	

FIG.294

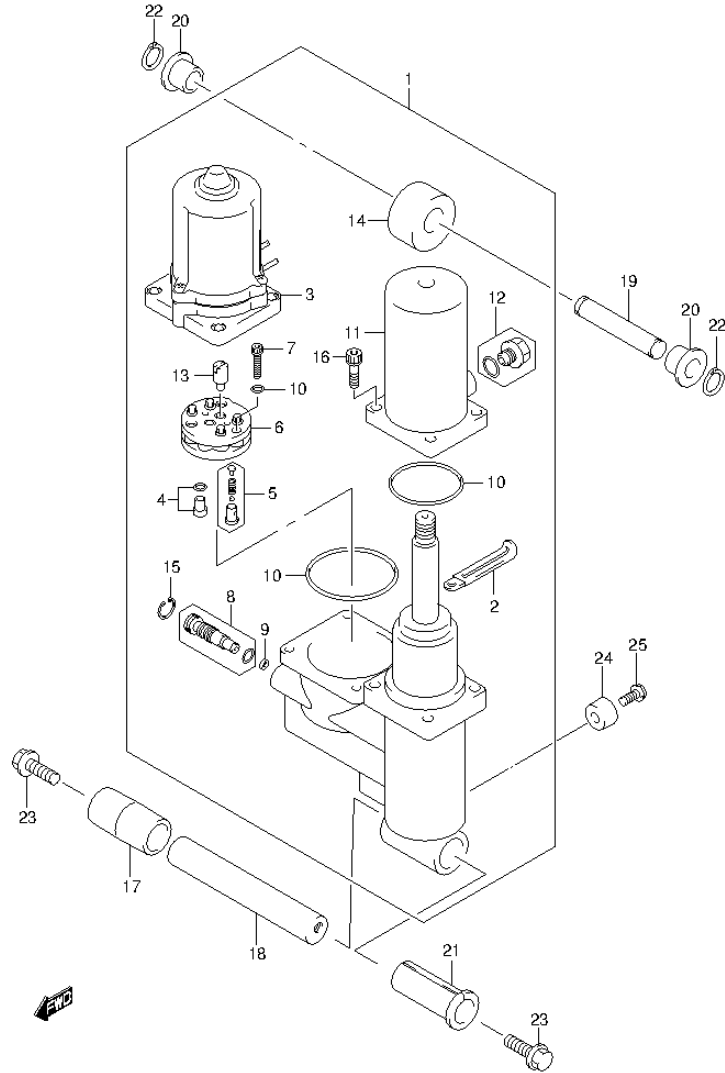


FIG.294 (3-C-11) TRIM CYLINDER (DF50AVT E01)

REF NO.	PART NO.	DESCRIPTION	Q'TY	REMARKS
1	48000-88L20	TRIM ASSY, POWER WITH TILT	1	
2	29404-93J10	.CLAMP	1	
3	38100-88L11	.MOTOR ASSY, PTT	1	
4	48320-87J10	.VALVE, UPPER PRESSURE	1	
5	48330-87J20	.VALVE, DOWN PRESSURE	1	
6	48510-97E10	.PUMP ASSY, GEAR	1	
7	48541-87J20	.BOLT	3	
8	48551-88L10	.VALVE, MANUAL	1	
9	48553-88L00	.SEAL WASHER	1	
10	48557-87J10	.O RING SET	1	
11	48571-88L00	.TANK, RESERVOIR	1	
12	48572-87L00	.PLUG	1	
13	48583-87J10	.JOINT, DRIVE	1	
14	48611-88L00	.JOINT, METAL	1	
15	48681-87J11	.CIRCLIP	1	
16	48862-87J20	.BOLT, TANK	4	
17	47225-88L00	COLLAR, TILT CYLINDER LOWER	1	
18	48121-88L10	SHAFT, TILT CYL LOWER	1	
19	48321-89J20	SHAFT, TILT CYL UPPER	1	
20	48325-89J10	BUSH, TILT CYL UPPER	2	
21	48326-87J00	BUSH, TILT CYL LOWER	1	
22	09380-12002	SNAP RING	2	
23	09116-10179	BOLT	2	
24	55321-87J00	ANODE, PROTECTION	1	
25	09103-06281	BOLT (6X14)	1	

FIG.295

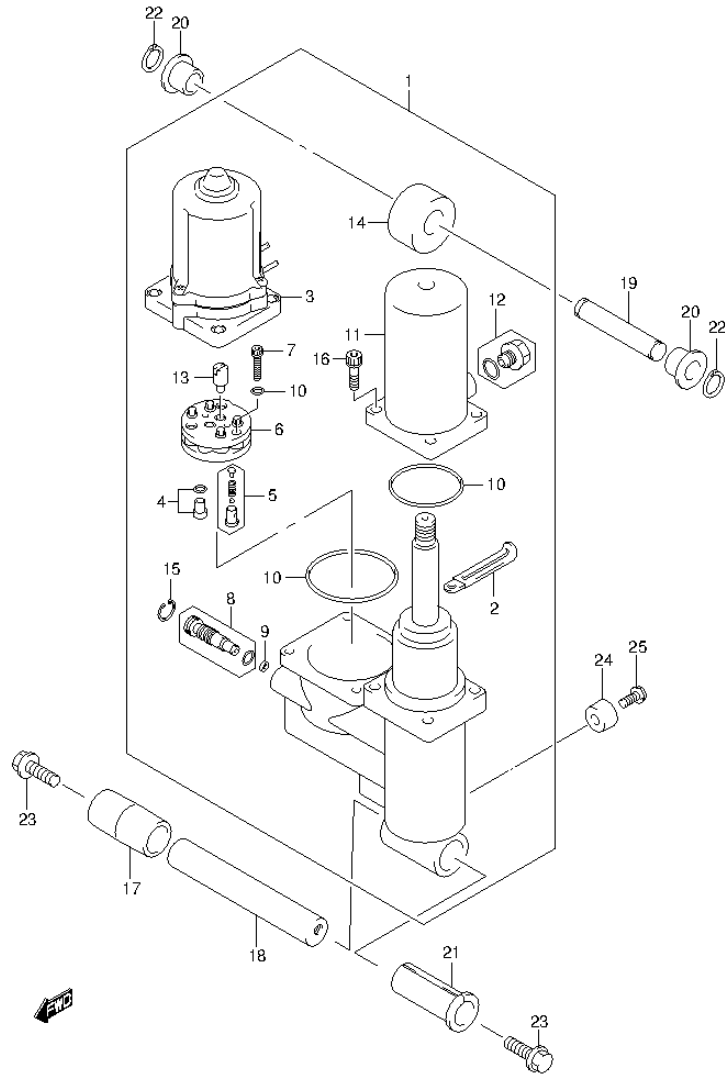


FIG.295 (3-C-12) TRIM CYLINDER (DF50AVTH E01)

REF NO.	PART NO.	DESCRIPTION	Q'TY	REMARKS
1	48000-88L20	TRIM ASSY, POWER WITH TILT	1	
2	29404-93J10	.CLAMP	1	
3	38100-88L11	.MOTOR ASSY, PTT	1	
4	48320-87J10	.VALVE, UPPER PRESSURE	1	
5	48330-87J20	.VALVE, DOWN PRESSURE	1	
6	48510-97E10	.PUMP ASSY, GEAR	1	
7	48541-87J20	.BOLT	3	
8	48551-88L10	.VALVE, MANUAL	1	
9	48553-88L00	.SEAL WASHER	1	
10	48557-87J10	.O RING SET	1	
11	48571-88L00	.TANK, RESERVOIR	1	
12	48572-87L00	.PLUG	1	
13	48583-87J10	.JOINT, DRIVE	1	
14	48611-88L00	.JOINT, METAL	1	
15	48681-87J11	.CIRCLIP	1	
16	48862-87J20	.BOLT, TANK	4	
17	47225-88L00	COLLAR, TILT CYLINDER LOWER	1	
18	48121-88L10	SHAFT, TILT CYL LOWER	1	
19	48321-89J20	SHAFT, TILT CYL UPPER	1	
20	48325-89J10	BUSH, TILT CYL UPPER	2	
21	48326-87J00	BUSH, TILT CYL LOWER	1	
22	09380-12002	SNAP RING	2	
23	09116-10179	BOLT	2	
24	55321-87J00	ANODE, PROTECTION	1	
25	09103-06281	BOLT (6X14)	1	

FIG.296

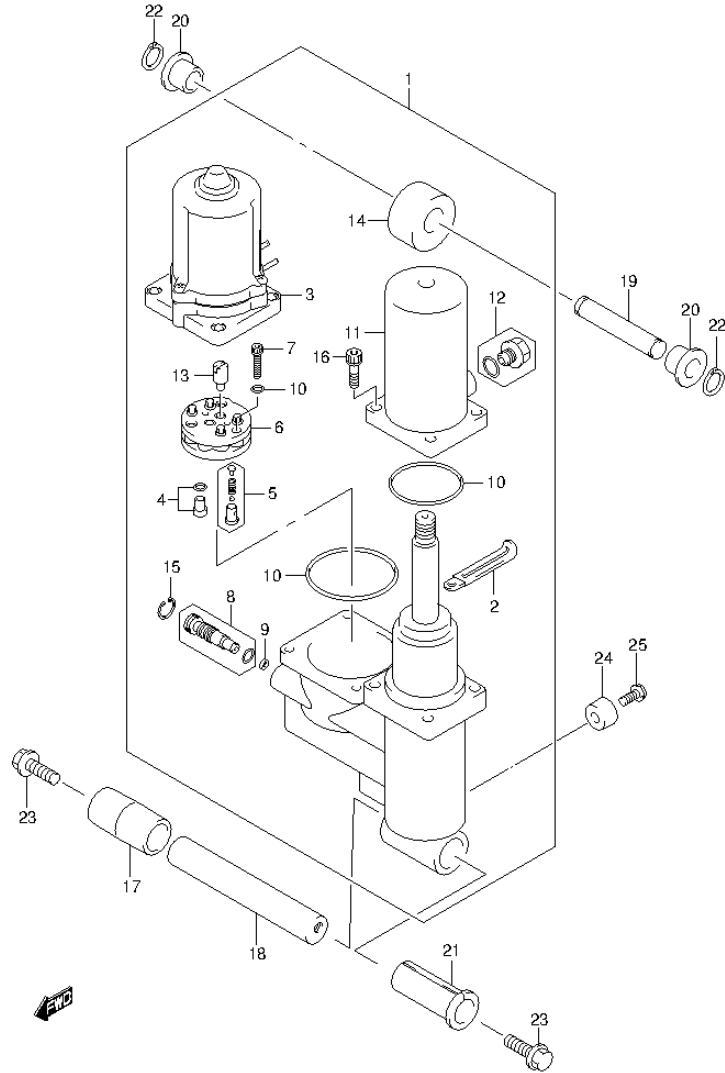


FIG.296 (3-C-13) TRIM CYLINDER (DF60AVT E01)

REF NO.	PART NO.	DESCRIPTION	Q'TY	REMARKS
1	48000-88L20	TRIM ASSY, POWER WITH TILT	1	
2	29404-93J10	.CLAMP	1	
3	38100-88L11	.MOTOR ASSY, PTT	1	
4	48320-87J10	.VALVE, UPPER PRESSURE	1	
5	48330-87J20	.VALVE, DOWN PRESSURE	1	
6	48510-97E10	.PUMP ASSY, GEAR	1	
7	48541-87J20	.BOLT	3	
8	48551-88L10	.VALVE, MANUAL	1	
9	48553-88L00	.SEAL WASHER	1	
10	48557-87J10	.O RING SET	1	
11	48571-88L00	.TANK, RESERVOIR	1	
12	48572-87L00	.PLUG	1	
13	48583-87J10	.JOINT, DRIVE	1	
14	48611-88L00	.JOINT, METAL	1	
15	48681-87J11	.CIRCLIP	1	
16	48862-87J20	.BOLT, TANK	4	
17	47225-88L00	COLLAR, TILT CYLINDER LOWER	1	
18	48121-88L10	SHAFT, TILT CYL LOWER	1	
19	48321-89J20	SHAFT, TILT CYL UPPER	1	
20	48325-89J10	BUSH, TILT CYL UPPER	2	
21	48326-87J00	BUSH, TILT CYL LOWER	1	
22	09380-12002	SNAP RING	2	
23	09116-10179	BOLT	2	
24	55321-87J00	ANODE, PROTECTION	1	
25	09103-06281	BOLT (6X14)	1	

FIG.297

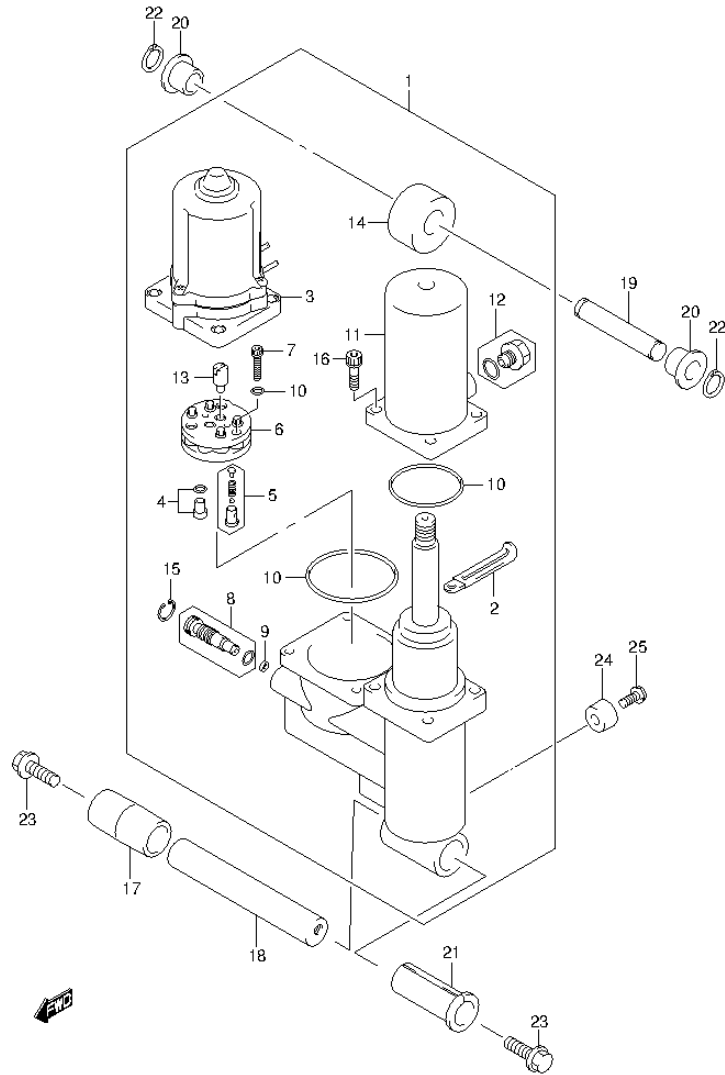


FIG.297 (3-C-14) TRIM CYLINDER (DF60AVT E40)

REF NO.	PART NO.	DESCRIPTION	Q'TY	REMARKS
1	48000-88L20	TRIM ASSY, POWER WITH TILT	1	
2	29404-93J10	.CLAMP	1	
3	38100-88L11	.MOTOR ASSY, PTT	1	
4	48320-87J10	.VALVE, UPPER PRESSURE	1	
5	48330-87J20	.VALVE, DOWN PRESSURE	1	
6	48510-97E10	.PUMP ASSY, GEAR	1	
7	48541-87J20	.BOLT	3	
8	48551-88L10	.VALVE, MANUAL	1	
9	48553-88L00	.SEAL WASHER	1	
10	48557-87J10	.O RING SET	1	
11	48571-88L00	.TANK, RESERVOIR	1	
12	48572-87L00	.PLUG	1	
13	48583-87J10	.JOINT, DRIVE	1	
14	48611-88L00	.JOINT, METAL	1	
15	48681-87J11	.CIRCLIP	1	
16	48862-87J20	.BOLT, TANK	4	
17	47225-88L00	COLLAR, TILT CYLINDER LOWER	1	
18	48121-88L10	SHAFT, TILT CYL LOWER	1	
19	48321-89J20	SHAFT, TILT CYL UPPER	1	
20	48325-89J10	BUSH, TILT CYL UPPER	2	
21	48326-87J00	BUSH, TILT CYL LOWER	1	
22	09380-12002	SNAP RING	2	
23	09116-10179	BOLT	2	
24	55321-87J00	ANODE, PROTECTION	1	
25	09103-06281	BOLT (6X14)	1	

FIG.298

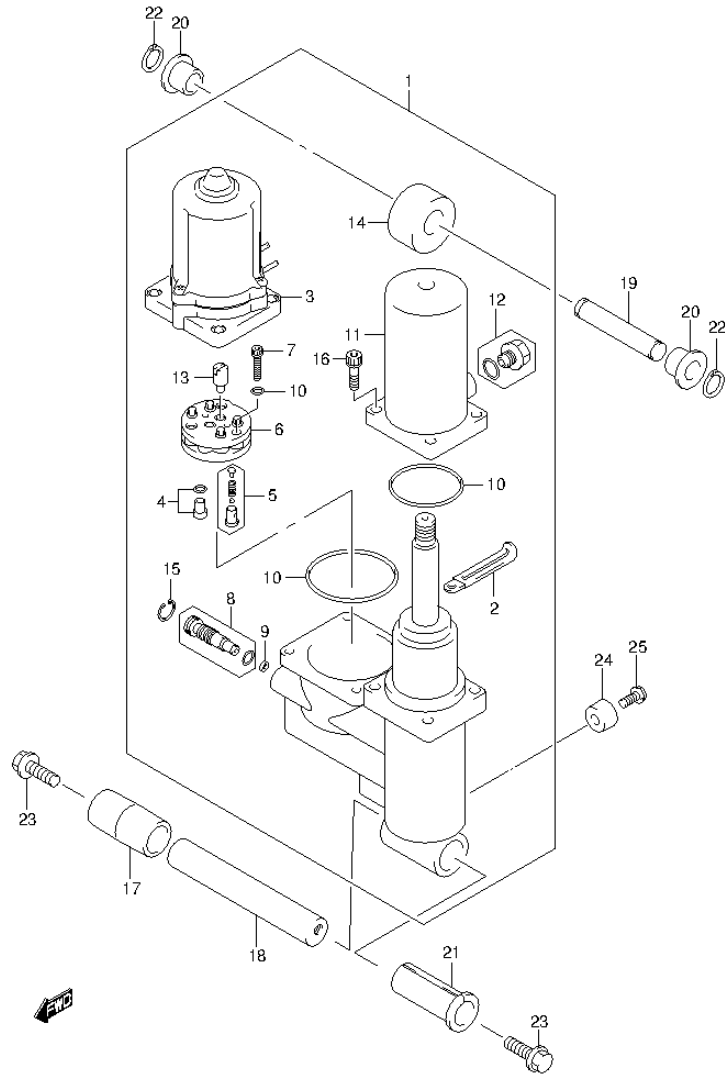


FIG.298 (3-C-15) TRIM CYLINDER (DF60AVTH E01)

REF NO.	PART NO.	DESCRIPTION	Q'TY	REMARKS
1	48000-88L20	TRIM ASSY, POWER WITH TILT	1	
2	29404-93J10	.CLAMP	1	
3	38100-88L11	.MOTOR ASSY, PTT	1	
4	48320-87J10	.VALVE, UPPER PRESSURE	1	
5	48330-87J20	.VALVE, DOWN PRESSURE	1	
6	48510-97E10	.PUMP ASSY, GEAR	1	
7	48541-87J20	.BOLT	3	
8	48551-88L10	.VALVE, MANUAL	1	
9	48553-88L00	.SEAL WASHER	1	
10	48557-87J10	.O RING SET	1	
11	48571-88L00	.TANK, RESERVOIR	1	
12	48572-87L00	.PLUG	1	
13	48583-87J10	.JOINT, DRIVE	1	
14	48611-88L00	.JOINT, METAL	1	
15	48681-87J11	.CIRCLIP	1	
16	48862-87J20	.BOLT, TANK	4	
17	47225-88L00	COLLAR, TILT CYLINDER LOWER	1	
18	48121-88L10	SHAFT, TILT CYL LOWER	1	
19	48321-89J20	SHAFT, TILT CYL UPPER	1	
20	48325-89J10	BUSH, TILT CYL UPPER	2	
21	48326-87J00	BUSH, TILT CYL LOWER	1	
22	09380-12002	SNAP RING	2	
23	09116-10179	BOLT	2	
24	55321-87J00	ANODE, PROTECTION	1	
25	09103-06281	BOLT (6X14)	1	

FIG.299

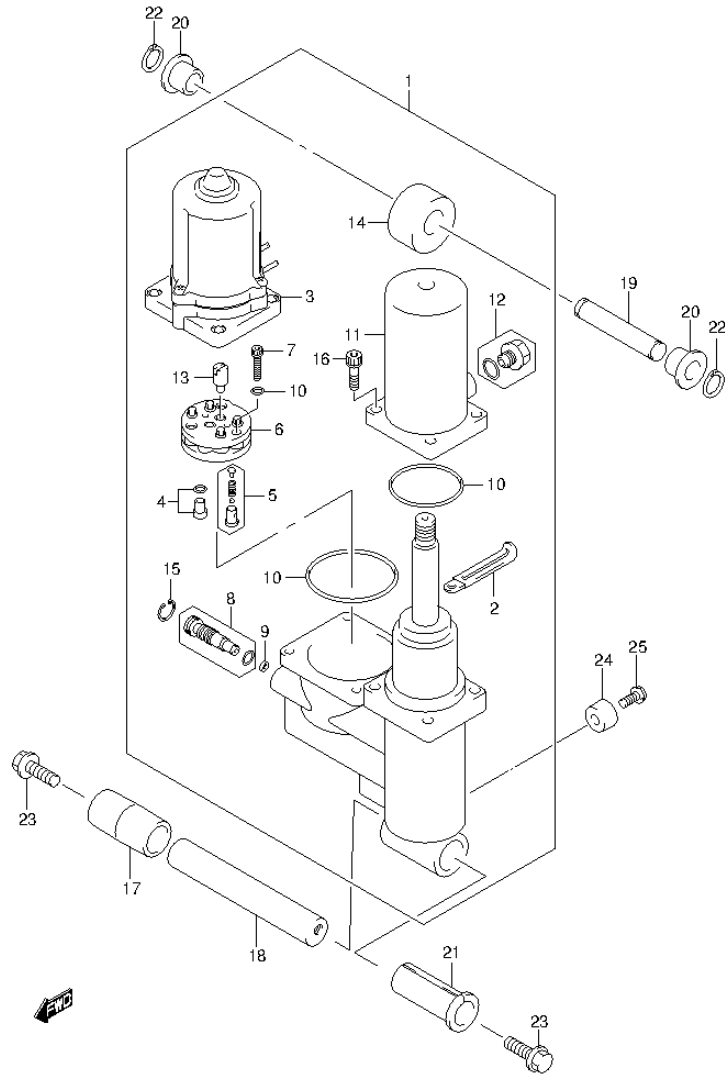


FIG.299 (3-D-2) TRIM CYLINDER (DF60AVTH E40)

REF NO.	PART NO.	DESCRIPTION	Q'TY	REMARKS
1	48000-88L20	TRIM ASSY, POWER WITH TILT	1	
2	29404-93J10	.CLAMP	1	
3	38100-88L11	.MOTOR ASSY, PTT	1	
4	48320-87J10	.VALVE, UPPER PRESSURE	1	
5	48330-87J20	.VALVE, DOWN PRESSURE	1	
6	48510-97E10	.PUMP ASSY, GEAR	1	
7	48541-87J20	.BOLT	3	
8	48551-88L10	.VALVE, MANUAL	1	
9	48553-88L00	.SEAL WASHER	1	
10	48557-87J10	.O RING SET	1	
11	48571-88L00	.TANK, RESERVOIR	1	
12	48572-87L00	.PLUG	1	
13	48583-87J10	.JOINT, DRIVE	1	
14	48611-88L00	.JOINT, METAL	1	
15	48681-87J11	.CIRCLIP	1	
16	48862-87J20	.BOLT, TANK	4	
17	47225-88L00	COLLAR, TILT CYLINDER LOWER	1	
18	48121-88L10	SHAFT, TILT CYL LOWER	1	
19	48321-89J20	SHAFT, TILT CYL UPPER	1	
20	48325-89J10	BUSH, TILT CYL UPPER	2	
21	48326-87J00	BUSH, TILT CYL LOWER	1	
22	09380-12002	SNAP RING	2	
23	09116-10179	BOLT	2	
24	55321-87J00	ANODE, PROTECTION	1	
25	09103-06281	BOLT (6X14)	1	

FIG.300

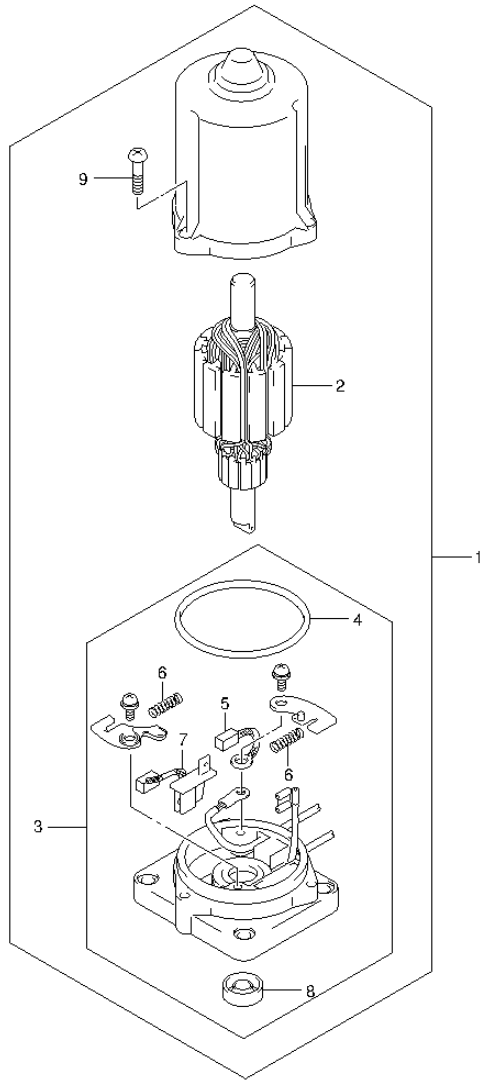


FIG.300 (3-D-3) PTT MOTOR (DF40A E01)

REF NO.	PART NO.	DESCRIPTION	Q'TY	REMARKS
1	38100-88L11	MOTOR ASSY, PTT	1	
2	31311-87J10	.ARMATURE	1	
3	31173-88L11	.HOLDER ASSY, BRUSH	1	
4	31123-97E10	..O RING	1	
5	31133-94900	..BRUSH	1	
6	31135-94900	..SPRING	2	
7	31136-87J10	..BREAKER ASSY	1	
8	33799-97E00	..SEAL, OIL	1	
9	31111-87J10	..SCREW	3	

FIG.301

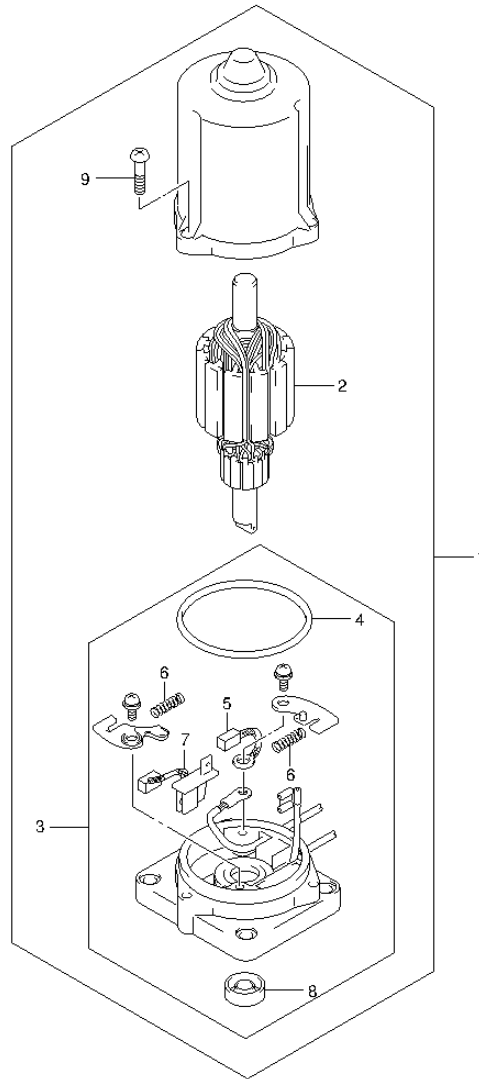


FIG.301 (3-D-4) PTT MOTOR (DF40ATH E01)

REF NO.	PART NO.	DESCRIPTION	Q'TY	REMARKS
1	38100-88L11	MOTOR ASSY, PTT	1	
2	31311-87J10	.ARMATURE	1	
3	31173-88L11	.HOLDER ASSY, BRUSH	1	
4	31123-97E10	..O RING	1	
5	31133-94900	..BRUSH	1	
6	31135-94900	..SPRING	2	
7	31136-87J10	..BREAKER ASSY	1	
8	33799-97E00	..SEAL, OIL	1	
9	31111-87J10	..SCREW	3	

FIG.302

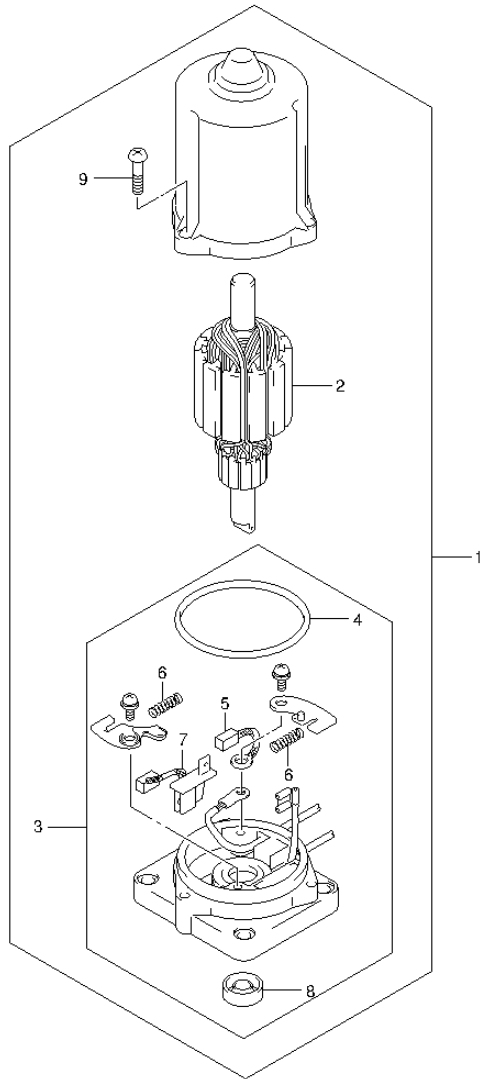


FIG.302 (3-D-5) PTT MOTOR (DF40AST E34)

REF NO.	PART NO.	DESCRIPTION	Q'TY	REMARKS
1	38100-88L11	MOTOR ASSY, PTT	1	
2	31311-87J10	.ARMATURE	1	
3	31173-88L11	.HOLDER ASSY, BRUSH	1	
4	31123-97E10	..O RING	1	
5	31133-94900	..BRUSH	1	
6	31135-94900	..SPRING	2	
7	31136-87J10	..BREAKER ASSY	1	
8	33799-97E00	..SEAL, OIL	1	
9	31111-87J10	..SCREW	3	

FIG.303

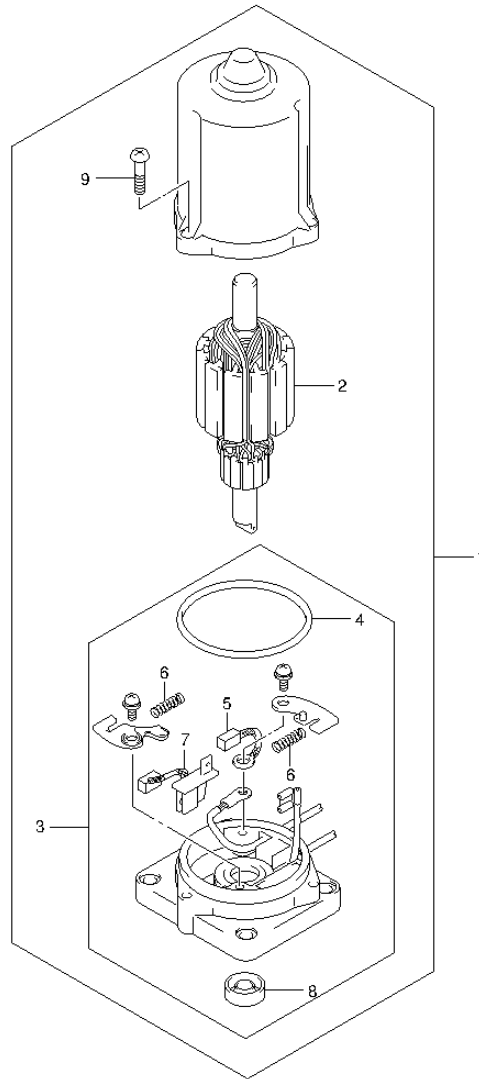


FIG.303 (3-D-6) PTT MOTOR (DF50A E01)

REF NO.	PART NO.	DESCRIPTION	Q'TY	REMARKS
1	38100-88L11	MOTOR ASSY, PTT	1	
2	31311-87J10	.ARMATURE	1	
3	31173-88L11	.HOLDER ASSY, BRUSH	1	
4	31123-97E10	..O RING	1	
5	31133-94900	..BRUSH	1	
6	31135-94900	..SPRING	2	
7	31136-87J10	..BREAKER ASSY	1	
8	33799-97E00	..SEAL, OIL	1	
9	31111-87J10	..SCREW	3	

FIG.304

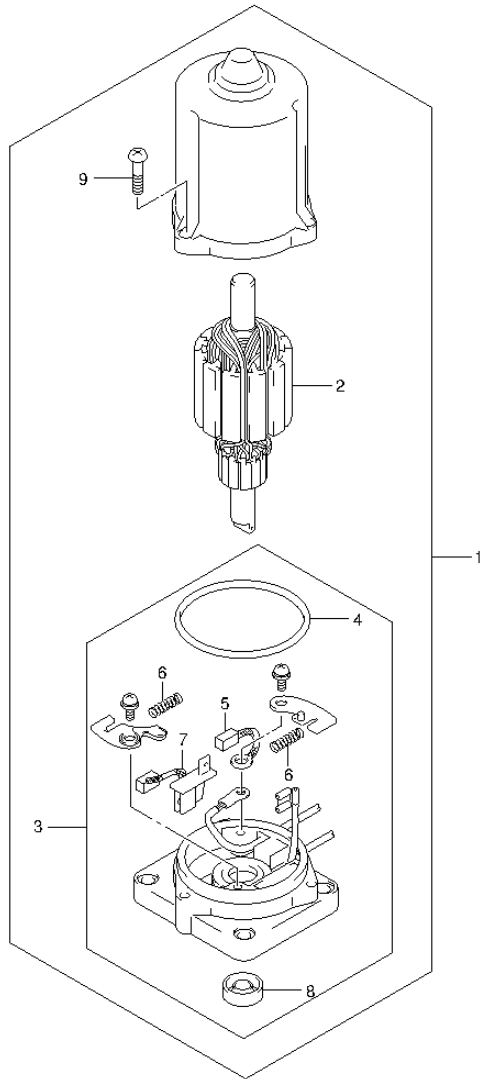


FIG.304 (3-D-7) PTT MOTOR (DF50ATH E01)

REF NO.	PART NO.	DESCRIPTION	Q'TY	REMARKS
1	38100-88L11	MOTOR ASSY, PTT	1	
2	31311-87J10	.ARMATURE	1	
3	31173-88L11	.HOLDER ASSY, BRUSH	1	
4	31123-97E10	..O RING	1	
5	31133-94900	..BRUSH	1	
6	31135-94900	..SPRING	2	
7	31136-87J10	..BREAKER ASSY	1	
8	33799-97E00	..SEAL, OIL	1	
9	31111-87J10	..SCREW	3	

FIG.305

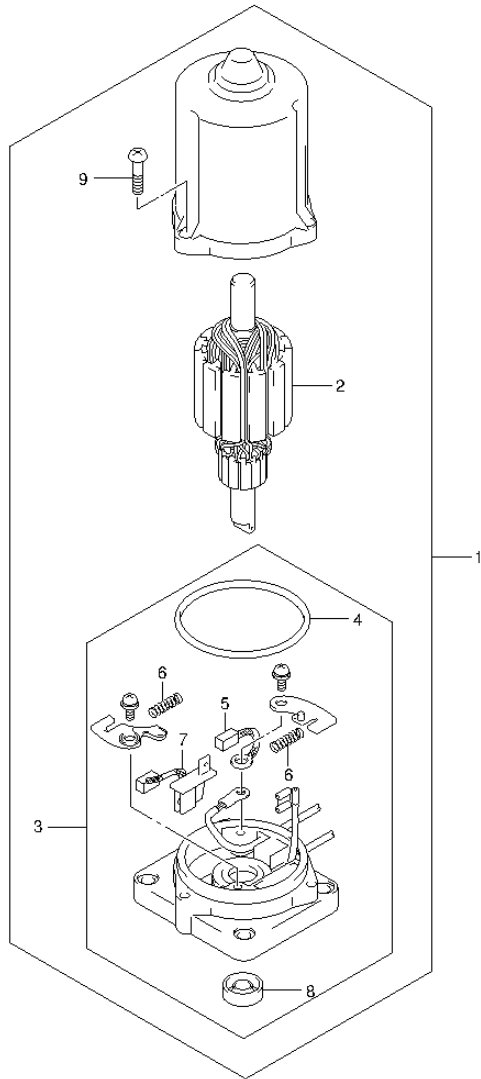


FIG.305 (3-D-8) PTT MOTOR (DF60A E01)

REF NO.	PART NO.	DESCRIPTION	Q'TY	REMARKS
1	38100-88L11	MOTOR ASSY, PTT	1	
2	31311-87J10	.ARMATURE	1	
3	31173-88L11	.HOLDER ASSY, BRUSH	1	
4	31123-97E10	..O RING	1	
5	31133-94900	..BRUSH	1	
6	31135-94900	..SPRING	2	
7	31136-87J10	..BREAKER ASSY	1	
8	33799-97E00	..SEAL, OIL	1	
9	31111-87J10	..SCREW	3	

FIG.306

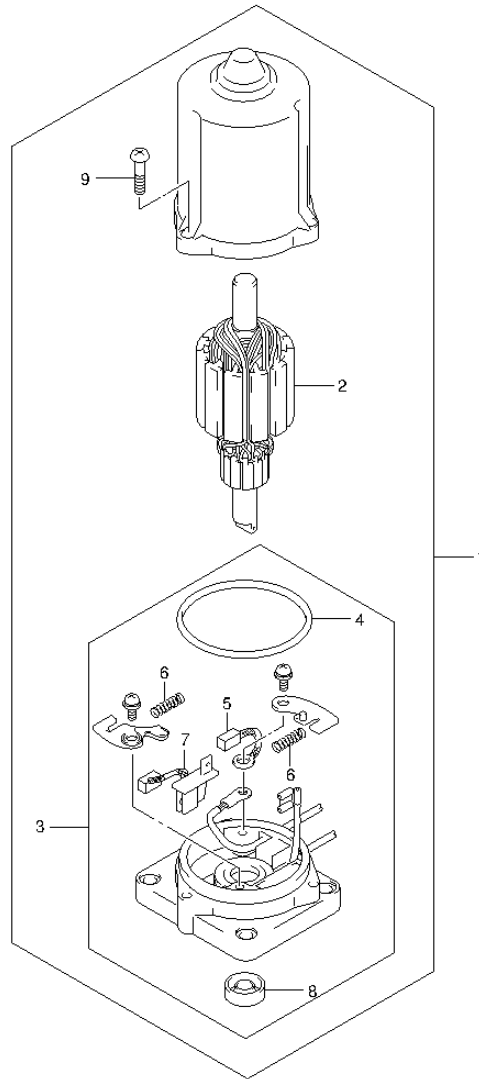


FIG.306 (3-D-9) PTT MOTOR (DF60A E40)

REF NO.	PART NO.	DESCRIPTION	Q'TY	REMARKS
1	38100-88L11	MOTOR ASSY, PTT	1	
2	31311-87J10	.ARMATURE	1	
3	31173-88L11	.HOLDER ASSY, BRUSH	1	
4	31123-97E10	..O RING	1	
5	31133-94900	..BRUSH	1	
6	31135-94900	..SPRING	2	
7	31136-87J10	..BREAKER ASSY	1	
8	33799-97E00	..SEAL, OIL	1	
9	31111-87J10	..SCREW	3	

FIG.307

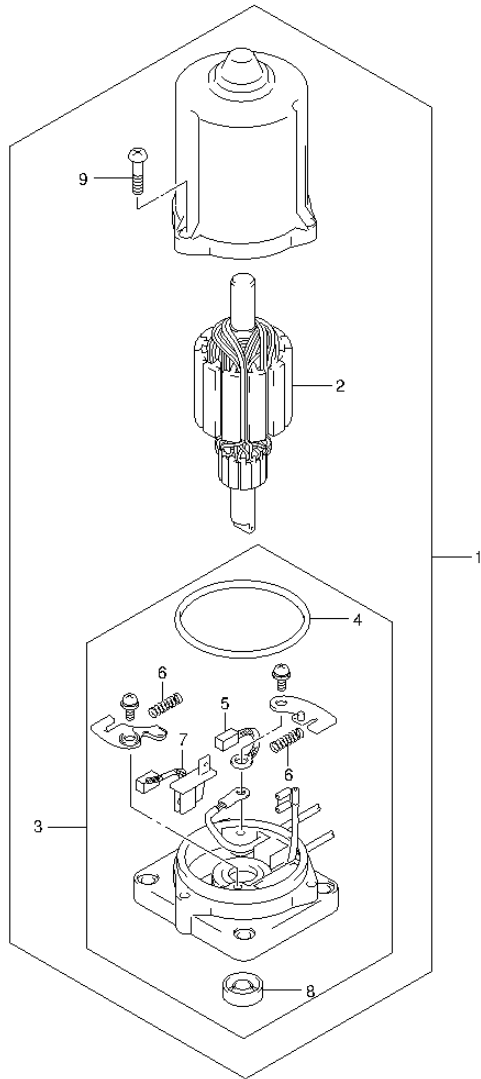


FIG.307 (3-D-10) PTT MOTOR (DF60ATH E01)

REF NO.	PART NO.	DESCRIPTION	Q'TY	REMARKS
1	38100-88L11	MOTOR ASSY, PTT	1	
2	31311-87J10	.ARMATURE	1	
3	31173-88L11	.HOLDER ASSY, BRUSH	1	
4	31123-97E10	..O RING	1	
5	31133-94900	..BRUSH	1	
6	31135-94900	..SPRING	2	
7	31136-87J10	..BREAKER ASSY	1	
8	33799-97E00	..SEAL, OIL	1	
9	31111-87J10	..SCREW	3	

FIG.308

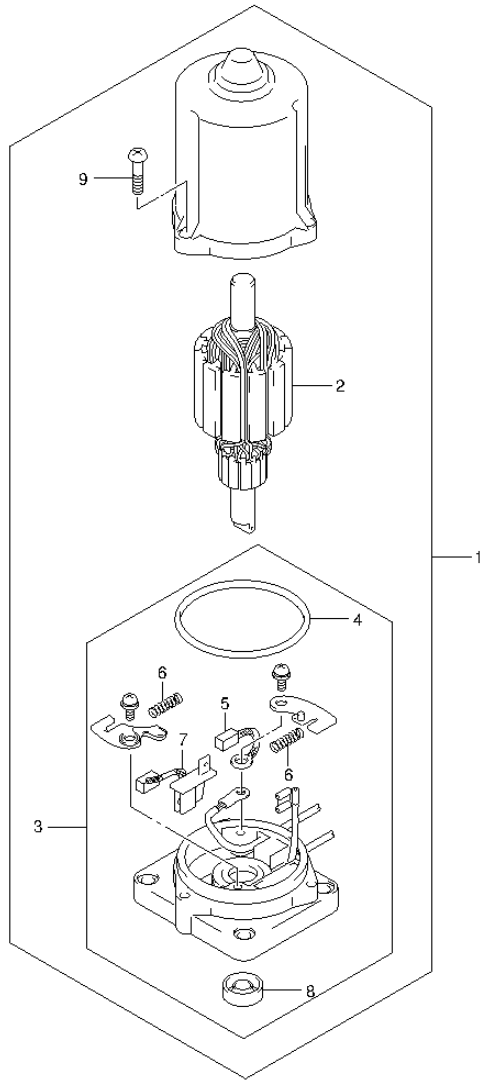


FIG.308 (3-D-11) PTT MOTOR (DF60ATH E40)

REF NO.	PART NO.	DESCRIPTION	Q'TY	REMARKS
1	38100-88L11	MOTOR ASSY, PTT	1	
2	31311-87J10	.ARMATURE	1	
3	31173-88L11	.HOLDER ASSY, BRUSH	1	
4	31123-97E10	..O RING	1	
5	31133-94900	..BRUSH	1	
6	31135-94900	..SPRING	2	
7	31136-87J10	..BREAKER ASSY	1	
8	33799-97E00	..SEAL, OIL	1	
9	31111-87J10	..SCREW	3	

FIG.309

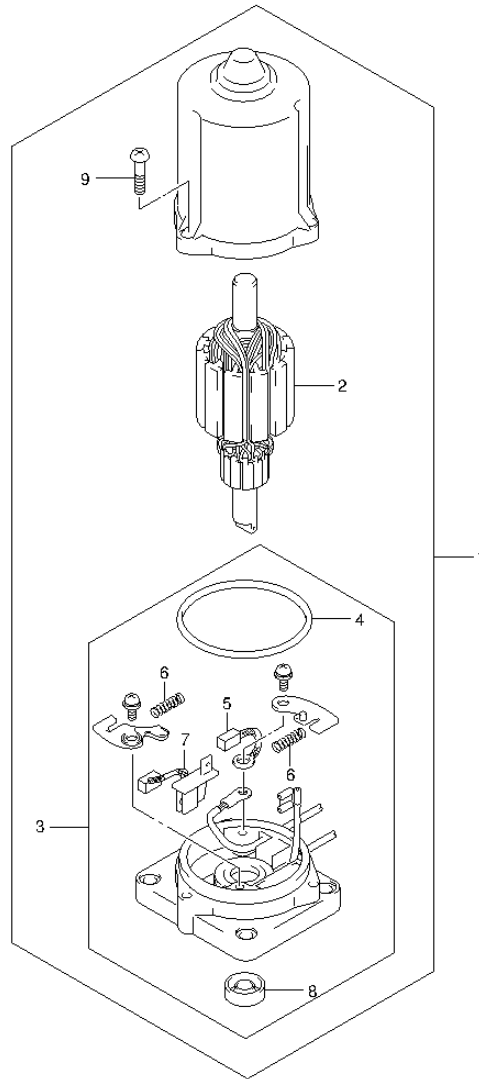


FIG.309 (3-D-12) PTT MOTOR (DF50AVT E01)

REF NO.	PART NO.	DESCRIPTION	Q'TY	REMARKS
1	38100-88L11	MOTOR ASSY, PTT	1	
2	31311-87J10	.ARMATURE	1	
3	31173-88L11	.HOLDER ASSY, BRUSH	1	
4	31123-97E10	..O RING	1	
5	31133-94900	..BRUSH	1	
6	31135-94900	..SPRING	2	
7	31136-87J10	..BREAKER ASSY	1	
8	33799-97E00	..SEAL, OIL	1	
9	31111-87J10	..SCREW	3	

FIG.310

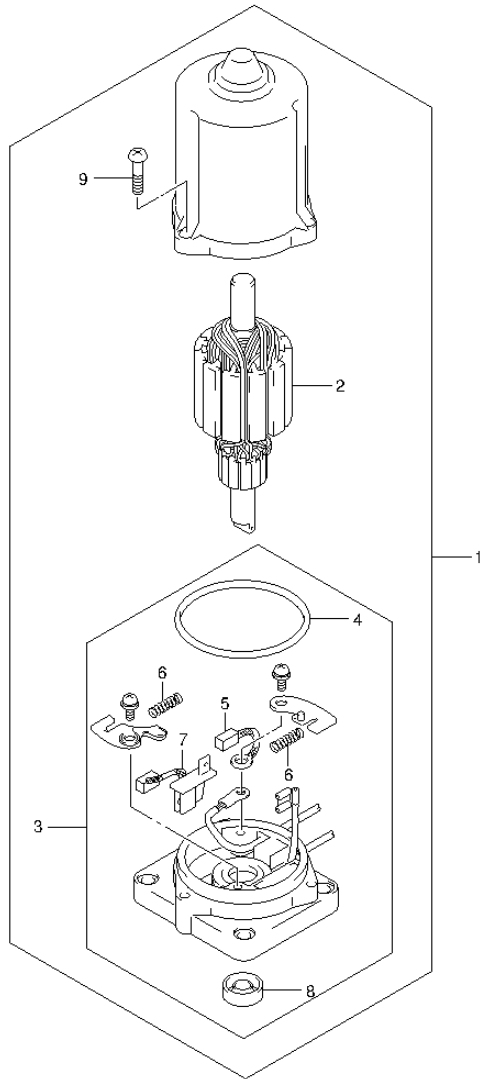


FIG.310 (3-D-13) PTT MOTOR (DF50AVTH E01)

REF NO.	PART NO.	DESCRIPTION	Q'TY	REMARKS
1	38100-88L11	MOTOR ASSY, PTT	1	
2	31311-87J10	.ARMATURE	1	
3	31173-88L11	.HOLDER ASSY, BRUSH	1	
4	31123-97E10	..O RING	1	
5	31133-94900	..BRUSH	1	
6	31135-94900	..SPRING	2	
7	31136-87J10	..BREAKER ASSY	1	
8	33799-97E00	..SEAL, OIL	1	
9	31111-87J10	..SCREW	3	

FIG.311

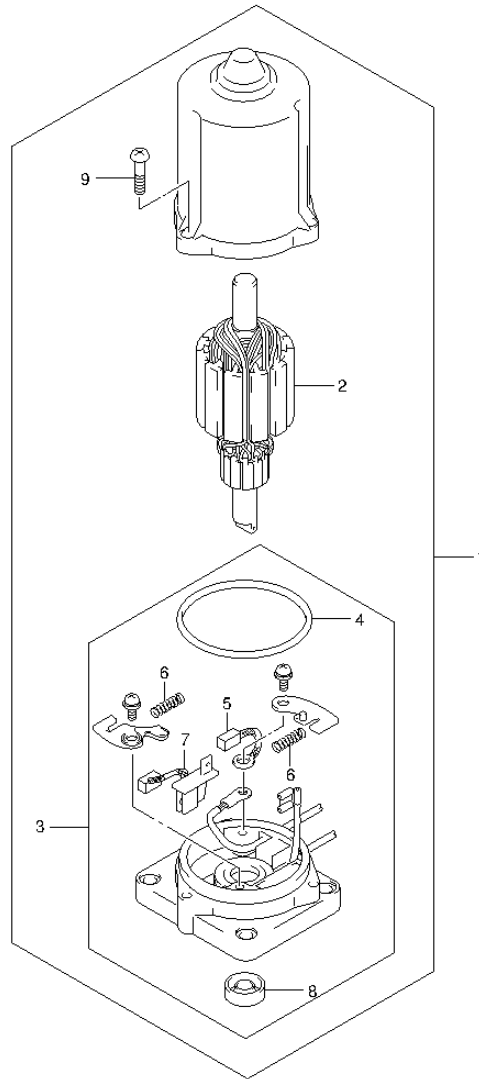


FIG.311 (3-D-14) PTT MOTOR (DF60AVT E01)

REF NO.	PART NO.	DESCRIPTION	Q'TY	REMARKS
1	38100-88L11	MOTOR ASSY, PTT	1	
2	31311-87J10	.ARMATURE	1	
3	31173-88L11	.HOLDER ASSY, BRUSH	1	
4	31123-97E10	..O RING	1	
5	31133-94900	..BRUSH	1	
6	31135-94900	..SPRING	2	
7	31136-87J10	..BREAKER ASSY	1	
8	33799-97E00	..SEAL, OIL	1	
9	31111-87J10	..SCREW	3	

FIG.312

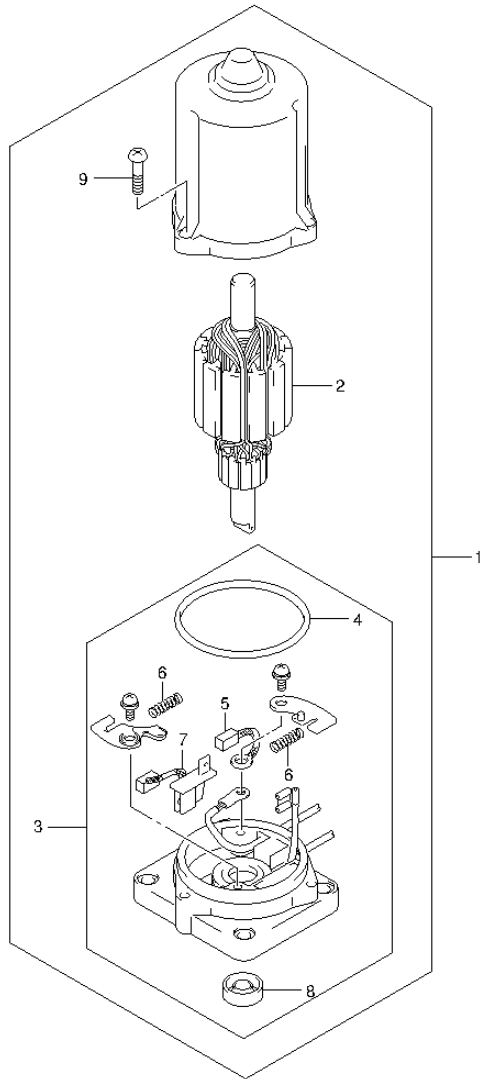


FIG.312 (3-D-15) PTT MOTOR (DF60AVT E40)

REF NO.	PART NO.	DESCRIPTION	Q'TY	REMARKS
1	38100-88L11	MOTOR ASSY, PTT	1	
2	31311-87J10	.ARMATURE	1	
3	31173-88L11	.HOLDER ASSY, BRUSH	1	
4	31123-97E10	..O RING	1	
5	31133-94900	..BRUSH	1	
6	31135-94900	..SPRING	2	
7	31136-87J10	..BREAKER ASSY	1	
8	33799-97E00	..SEAL, OIL	1	
9	31111-87J10	..SCREW	3	

FIG.313

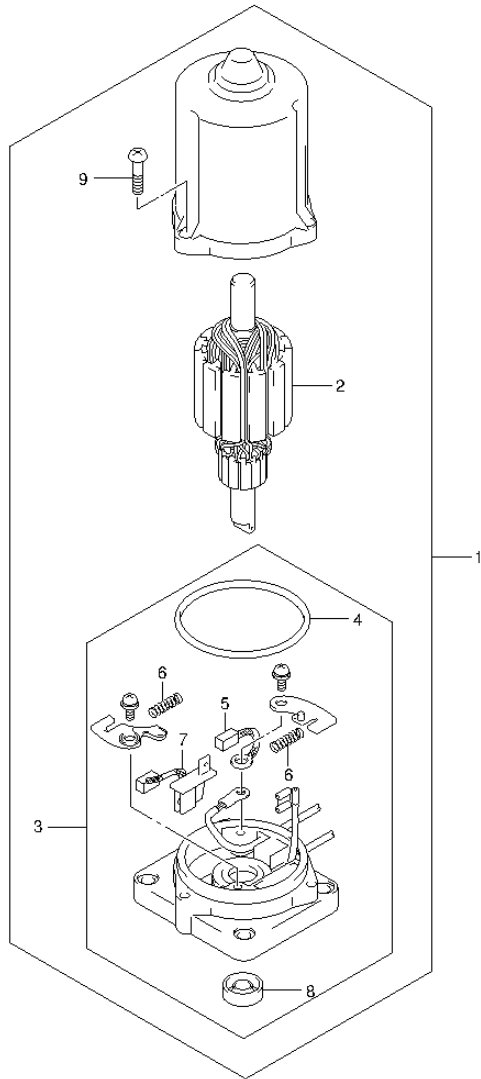


FIG.313 (3-E-2) PTT MOTOR (DF60AVTH E01)

REF NO.	PART NO.	DESCRIPTION	Q'TY	REMARKS
1	38100-88L11	MOTOR ASSY, PTT	1	
2	31311-87J10	.ARMATURE	1	
3	31173-88L11	.HOLDER ASSY, BRUSH	1	
4	31123-97E10	..O RING	1	
5	31133-94900	..BRUSH	1	
6	31135-94900	..SPRING	2	
7	31136-87J10	..BREAKER ASSY	1	
8	33799-97E00	..SEAL, OIL	1	
9	31111-87J10	..SCREW	3	

FIG.314

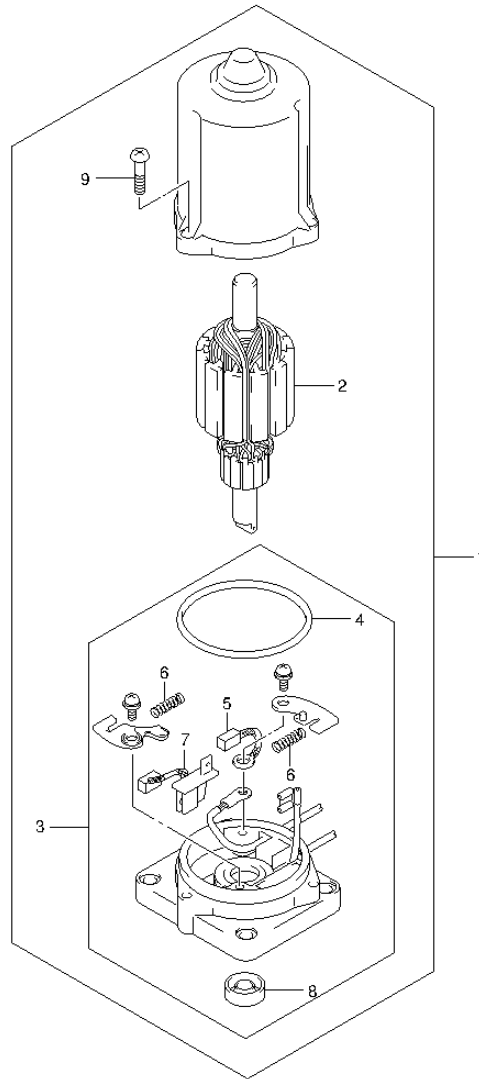


FIG.314 (3-E-3) PTT MOTOR (DF60AVTH E40)

REF NO.	PART NO.	DESCRIPTION	Q'TY	REMARKS
1	38100-88L11	MOTOR ASSY, PTT	1	
2	31311-87J10	.ARMATURE	1	
3	31173-88L11	.HOLDER ASSY, BRUSH	1	
4	31123-97E10	..O RING	1	
5	31133-94900	..BRUSH	1	
6	31135-94900	..SPRING	2	
7	31136-87J10	..BREAKER ASSY	1	
8	33799-97E00	..SEAL, OIL	1	
9	31111-87J10	..SCREW	3	

FIG.315

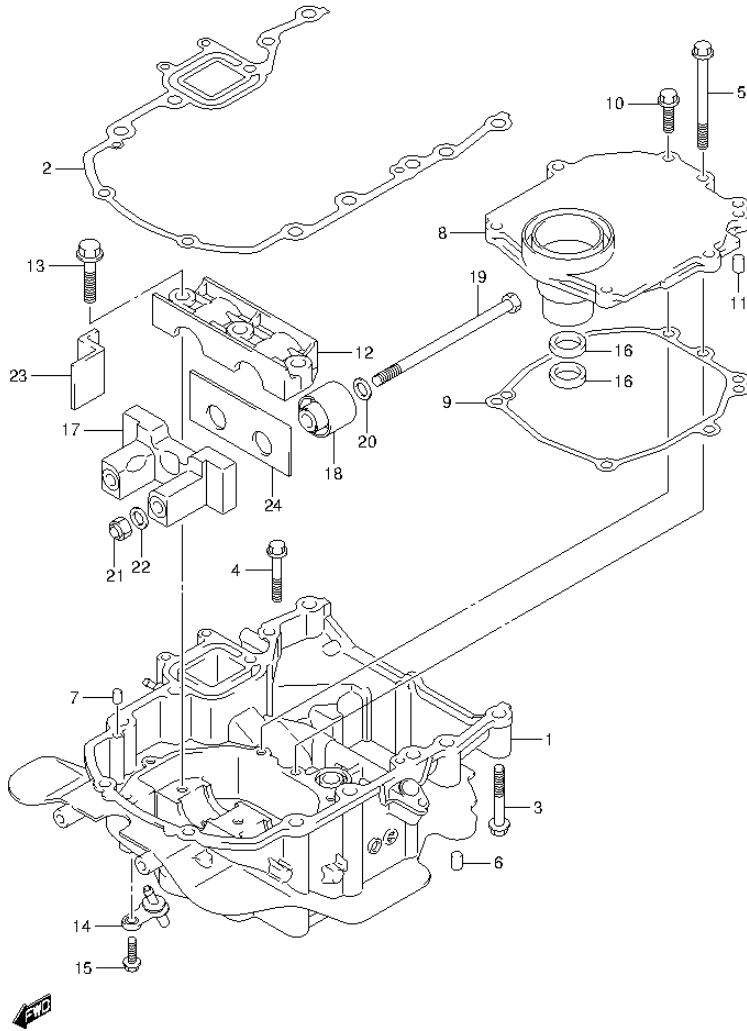


FIG.315 (3-E-4) ENGINE HOLDER (DF40A E01)

REF NO.	PART NO.	DESCRIPTION	Q'TY	REMARKS
1	51110-88L10-0EP	HOLDER, ENGINE (BLACK)	1	
2	51211-88L00	GASKET, ENGINE HOLDER	1	
3	09116-08159	BOLT (8X55)	8	
4	01550-0845A	BOLT	1	
5	01550-0885A	BOLT	1	
6	09202-08006	PIN (8X12)	2	
7	09202-08006	PIN (8X12)	2	
8	51122-88L00	COVER, MOUNT CASE	1	
9	51123-88L00	GASKET, MOUNT CASE COVER	1	
10	01550-0825A	BOLT	6	
11	09202-08006	PIN (8X12)	2	
12	54137-88L00	COVER, UPPER MOUNT	1	
13	09116-10176	BOLT (10X44)	3	
14	51170-88L00	BRACKET, WATER INDICATOR	1	
15	29116-93J00	BOLT, WATER INDICATOR UNION	1	
16	09282-17011	OIL SEAL (16.5X28X6)	2	
17	54124-88L20	BRACKET, UPPER THRUST	1	
18	54130-88L00	MOUNT, UPPER	2	
19	54166-95J02	BOLT, UPPER MOUNT	2	
20	54114-90J01	WASHER, UPPER MOUNT BOLT (12.5X22X3)	2	
21	09159-12014	NUT	2	
22	54114-90J01	WASHER, UPPER THRUST MOUNT NUT (12.5X22X3)	2	
23	54121-88L00	MOUNT, UPPER THRUST FR	2	
24	54123-88L00	MOUNT, UPPER THRUST RR	1	

FIG.316

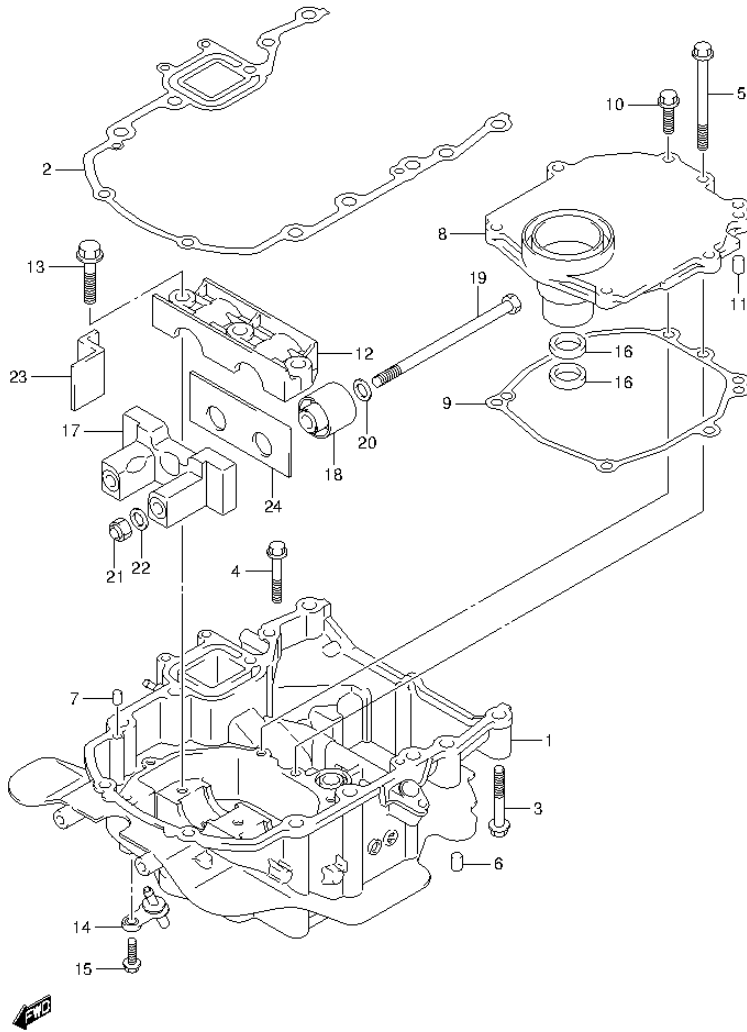


FIG.316 (3-E-5) ENGINE HOLDER (DF40AQH E01)

REF NO.	PART NO.	DESCRIPTION	Q'TY	REMARKS
1	51110-88L10-0EP	HOLDER, ENGINE (BLACK)	1	
2	51211-88L00	GASKET, ENGINE HOLDER	1	
3	09116-08159	BOLT (8X55)	8	
4	01550-0845A	BOLT	1	
5	01550-0885A	BOLT	1	
6	09202-08006	PIN (8X12)	2	
7	09202-08006	PIN (8X12)	2	
8	51122-88L00	COVER, MOUNT CASE	1	
9	51123-88L00	GASKET, MOUNT CASE COVER	1	
10	01550-0825A	BOLT	6	
11	09202-08006	PIN (8X12)	2	
12	54137-88L00	COVER, UPPER MOUNT	1	
13	09116-10176	BOLT (10X44)	3	
14	51170-88L00	BRACKET, WATER INDICATOR	1	
15	29116-93J00	BOLT, WATER INDICATOR UNION	1	
16	09282-17011	OIL SEAL (16.5X28X6)	2	
17	54124-88L20	BRACKET, UPPER THRUST	1	
18	54130-88L00	MOUNT, UPPER	2	
19	54166-95J02	BOLT, UPPER MOUNT	2	
20	54114-90J01	WASHER, UPPER MOUNT BOLT (12.5X22X3)	2	
21	09159-12014	NUT	2	
22	54114-90J01	WASHER, UPPER THRUST MOUNT NUT (12.5X22X3)	2	
23	54121-88L00	MOUNT, UPPER THRUST FR	2	
24	54123-88L00	MOUNT, UPPER THRUST RR	1	

FIG.317

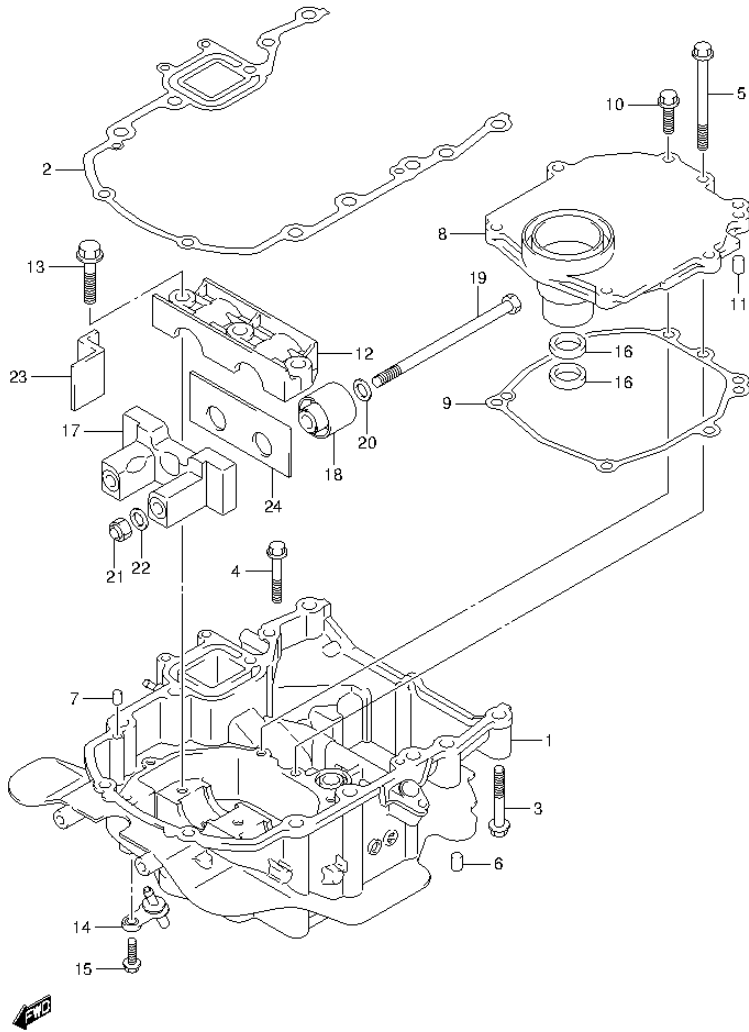


FIG.317 (3-E-6) ENGINE HOLDER (DF40ATH E01)

REF NO.	PART NO.	DESCRIPTION	Q'TY	REMARKS
1	51110-88L10-0EP	HOLDER, ENGINE (BLACK)	1	
2	51211-88L00	GASKET, ENGINE HOLDER	1	
3	09116-08159	BOLT (8X55)	8	
4	01550-0845A	BOLT	1	
5	01550-0885A	BOLT	1	
6	09202-08006	PIN (8X12)	2	
7	09202-08006	PIN (8X12)	2	
8	51122-88L00	COVER, MOUNT CASE	1	
9	51123-88L00	GASKET, MOUNT CASE COVER	1	
10	01550-0825A	BOLT	6	
11	09202-08006	PIN (8X12)	2	
12	54137-88L00	COVER, UPPER MOUNT	1	
13	09116-10176	BOLT (10X44)	3	
14	51170-88L00	BRACKET, WATER INDICATOR	1	
15	29116-93J00	BOLT, WATER INDICATOR UNION	1	
16	09282-17011	OIL SEAL (16.5X28X6)	2	
17	54124-88L20	BRACKET, UPPER THRUST	1	
18	54130-88L00	MOUNT, UPPER	2	
19	54166-95J02	BOLT, UPPER MOUNT	2	
20	54114-90J01	WASHER, UPPER MOUNT BOLT (12.5X22X3)	2	
21	09159-12014	NUT	2	
22	54114-90J01	WASHER, UPPER THRUST MOUNT NUT (12.5X22X3)	2	
23	54121-88L00	MOUNT, UPPER THRUST FR	2	
24	54123-88L00	MOUNT, UPPER THRUST RR	1	

FIG.318

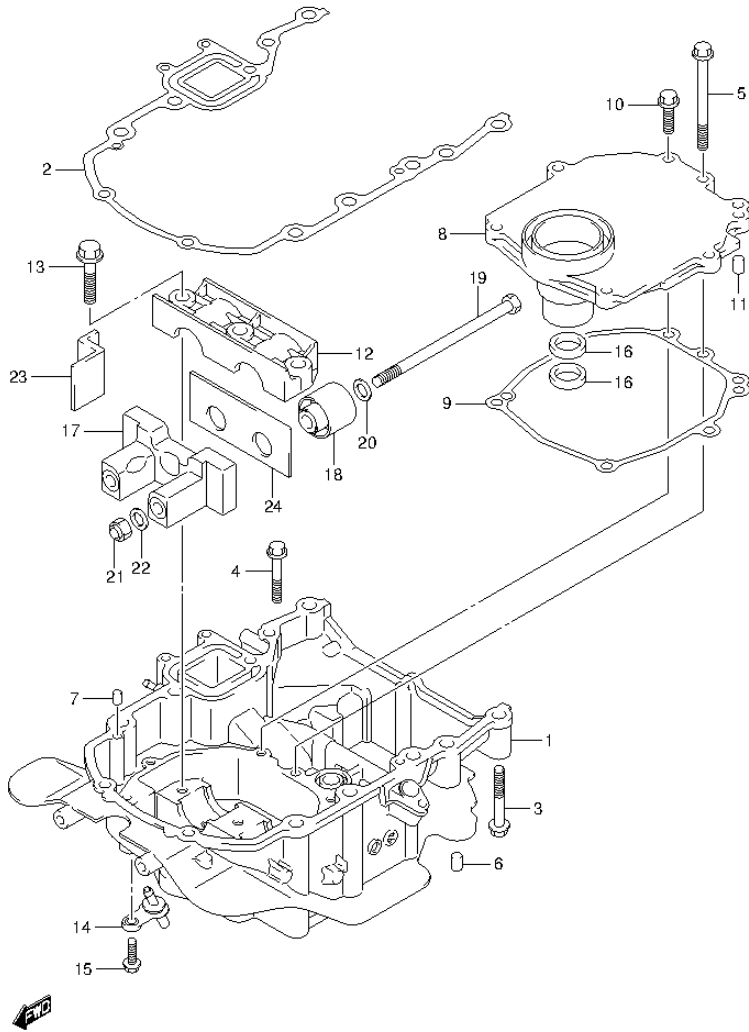


FIG.318 (3-E-7) ENGINE HOLDER (DF40AST E34)

REF NO.	PART NO.	DESCRIPTION	Q'TY	REMARKS
1	51110-88L10-0EP	HOLDER, ENGINE (BLACK)	1	
2	51211-88L00	GASKET, ENGINE HOLDER	1	
3	09116-08159	BOLT (8X55)	8	
4	01550-0845A	BOLT	1	
5	01550-0885A	BOLT	1	
6	09202-08006	PIN (8X12)	2	
7	09202-08006	PIN (8X12)	2	
8	51122-88L00	COVER, MOUNT CASE	1	
9	51123-88L00	GASKET, MOUNT CASE COVER	1	
10	01550-0825A	BOLT	6	
11	09202-08006	PIN (8X12)	2	
12	54137-88L00	COVER, UPPER MOUNT	1	
13	09116-10176	BOLT (10X44)	3	
14	51170-88L00	BRACKET, WATER INDICATOR	1	
15	29116-93J00	BOLT, WATER INDICATOR UNION	1	
16	09282-17011	OIL SEAL (16.5X28X6)	2	
17	54124-88L20	BRACKET, UPPER THRUST	1	
18	54130-88L00	MOUNT, UPPER	2	
19	54166-95J02	BOLT, UPPER MOUNT	2	
20	54114-90J01	WASHER, UPPER MOUNT BOLT (12.5X22X3)	2	
21	09159-12014	NUT	2	
22	54114-90J01	WASHER, UPPER THRUST MOUNT NUT (12.5X22X3)	2	
23	54121-88L00	MOUNT, UPPER THRUST FR	2	
24	54123-88L00	MOUNT, UPPER THRUST RR	1	

FIG.319

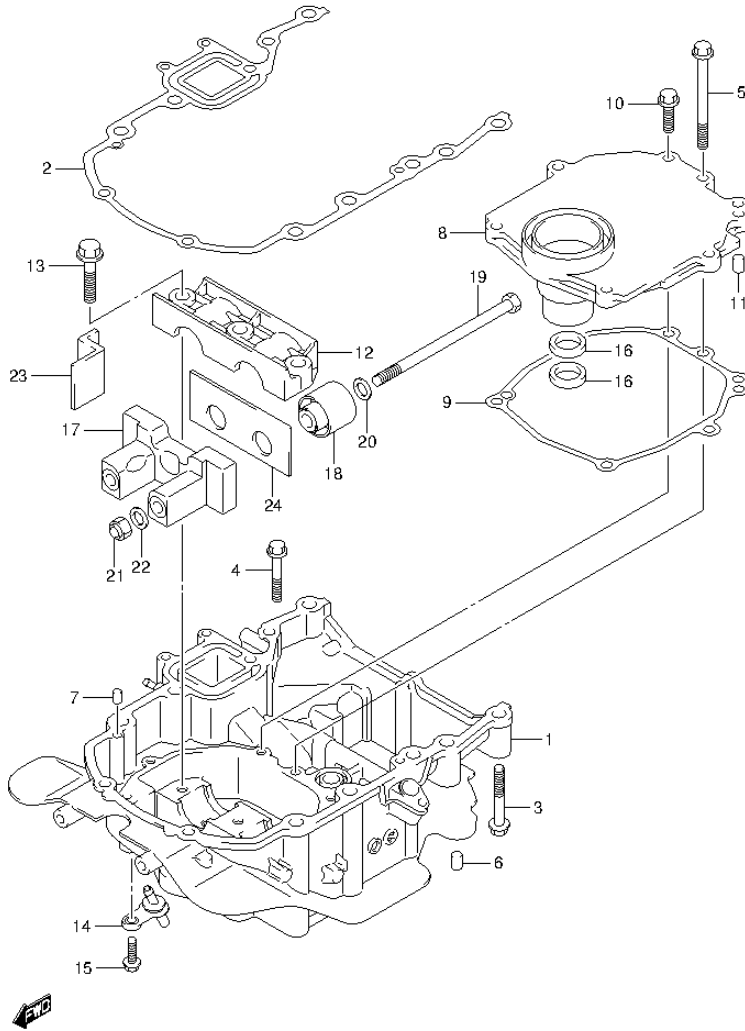


FIG.319 (3-E-8) ENGINE HOLDER (DF50A E01)

REF NO.	PART NO.	DESCRIPTION	Q'TY	REMARKS
1	51110-88L10-0EP	HOLDER, ENGINE (BLACK)	1	
2	51211-88L00	GASKET, ENGINE HOLDER	1	
3	09116-08159	BOLT (8X55)	8	
4	01550-0845A	BOLT	1	
5	01550-0885A	BOLT	1	
6	09202-08006	PIN (8X12)	2	
7	09202-08006	PIN (8X12)	2	
8	51122-88L00	COVER, MOUNT CASE	1	
9	51123-88L00	GASKET, MOUNT CASE COVER	1	
10	01550-0825A	BOLT	6	
11	09202-08006	PIN (8X12)	2	
12	54137-88L00	COVER, UPPER MOUNT	1	
13	09116-10176	BOLT (10X44)	3	
14	51170-88L00	BRACKET, WATER INDICATOR	1	
15	29116-93J00	BOLT, WATER INDICATOR UNION	1	
16	09282-17011	OIL SEAL (16.5X28X6)	2	
17	54124-88L20	BRACKET, UPPER THRUST	1	
18	54130-88L00	MOUNT, UPPER	2	
19	54166-95J02	BOLT, UPPER MOUNT	2	
20	54114-90J01	WASHER, UPPER MOUNT BOLT (12.5X22X3)	2	
21	09159-12014	NUT	2	
22	54114-90J01	WASHER, UPPER THRUST MOUNT NUT (12.5X22X3)	2	
23	54121-88L00	MOUNT, UPPER THRUST FR	2	
24	54123-88L00	MOUNT, UPPER THRUST RR	1	

FIG.320

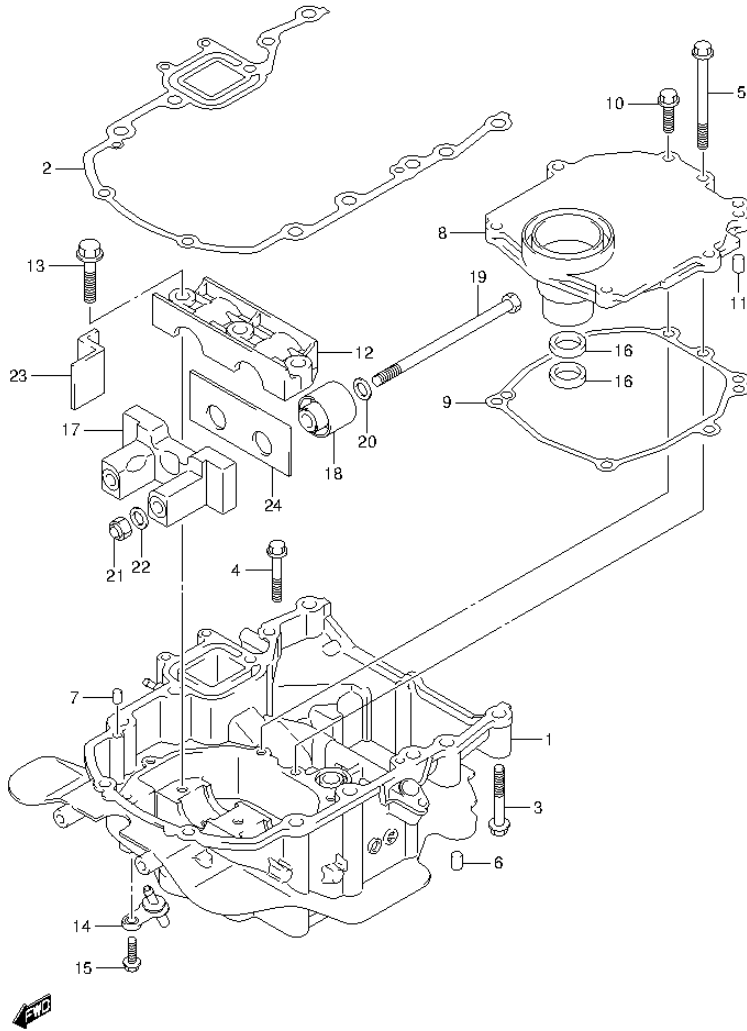


FIG.320 (3-E-9) ENGINE HOLDER (DF50ATH E01)

REF NO.	PART NO.	DESCRIPTION	Q'TY	REMARKS
1	51110-88L10-0EP	HOLDER, ENGINE (BLACK)	1	
2	51211-88L00	GASKET, ENGINE HOLDER	1	
3	09116-08159	BOLT (8X55)	8	
4	01550-0845A	BOLT	1	
5	01550-0885A	BOLT	1	
6	09202-08006	PIN (8X12)	2	
7	09202-08006	PIN (8X12)	2	
8	51122-88L00	COVER, MOUNT CASE	1	
9	51123-88L00	GASKET, MOUNT CASE COVER	1	
10	01550-0825A	BOLT	6	
11	09202-08006	PIN (8X12)	2	
12	54137-88L00	COVER, UPPER MOUNT	1	
13	09116-10176	BOLT (10X44)	3	
14	51170-88L00	BRACKET, WATER INDICATOR	1	
15	29116-93J00	BOLT, WATER INDICATOR UNION	1	
16	09282-17011	OIL SEAL (16.5X28X6)	2	
17	54124-88L20	BRACKET, UPPER THRUST	1	
18	54130-88L00	MOUNT, UPPER	2	
19	54166-95J02	BOLT, UPPER MOUNT	2	
20	54114-90J01	WASHER, UPPER MOUNT BOLT (12.5X22X3)	2	
21	09159-12014	NUT	2	
22	54114-90J01	WASHER, UPPER THRUST MOUNT NUT (12.5X22X3)	2	
23	54121-88L00	MOUNT, UPPER THRUST FR	2	
24	54123-88L00	MOUNT, UPPER THRUST RR	1	

FIG.321

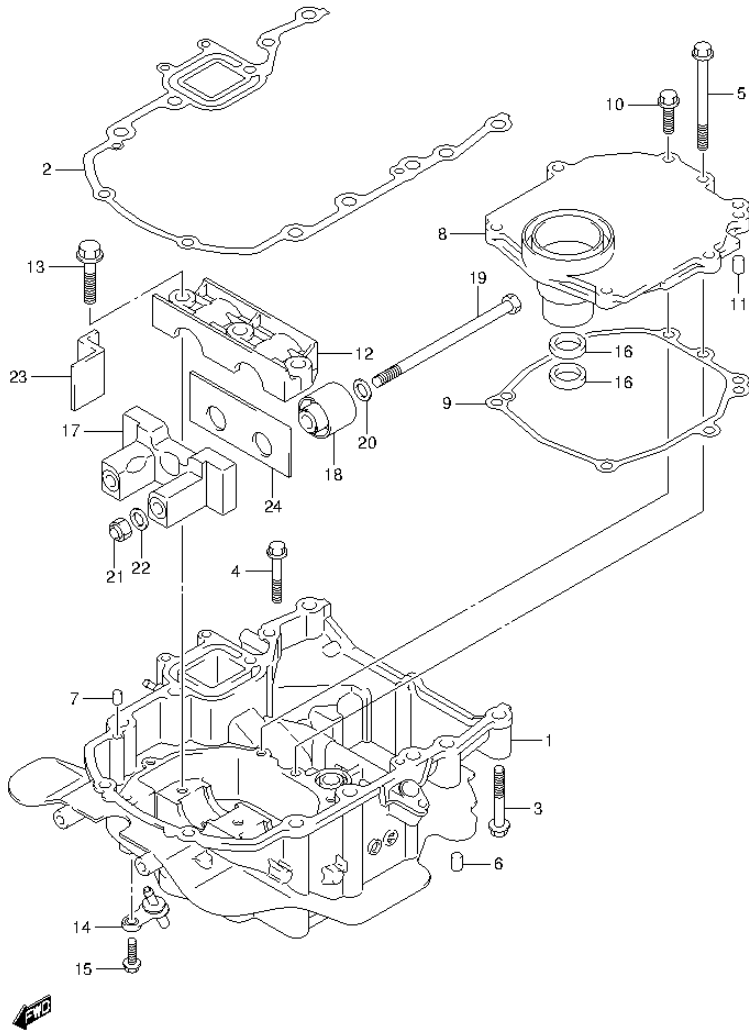


FIG.321 (3-E-10) ENGINE HOLDER (DF60A E01)

REF NO.	PART NO.	DESCRIPTION	Q'TY	REMARKS
1	51110-88L10-0EP	HOLDER, ENGINE (BLACK)	1	
2	51211-88L00	GASKET, ENGINE HOLDER	1	
3	09116-08159	BOLT (8X55)	8	
4	01550-0845A	BOLT	1	
5	01550-0885A	BOLT	1	
6	09202-08006	PIN (8X12)	2	
7	09202-08006	PIN (8X12)	2	
8	51122-88L00	COVER, MOUNT CASE	1	
9	51123-88L00	GASKET, MOUNT CASE COVER	1	
10	01550-0825A	BOLT	6	
11	09202-08006	PIN (8X12)	2	
12	54137-88L00	COVER, UPPER MOUNT	1	
13	09116-10176	BOLT (10X44)	3	
14	51170-88L00	BRACKET, WATER INDICATOR	1	
15	29116-93J00	BOLT, WATER INDICATOR UNION	1	
16	09282-17011	OIL SEAL (16.5X28X6)	2	
17	54124-88L20	BRACKET, UPPER THRUST	1	
18	54130-88L00	MOUNT, UPPER	2	
19	54166-95J02	BOLT, UPPER MOUNT	2	
20	54114-90J01	WASHER, UPPER MOUNT BOLT (12.5X22X3)	2	
21	09159-12014	NUT	2	
22	54114-90J01	WASHER, UPPER THRUST MOUNT NUT (12.5X22X3)	2	
23	54121-88L00	MOUNT, UPPER THRUST FR	2	
24	54123-88L00	MOUNT, UPPER THRUST RR	1	

FIG.322

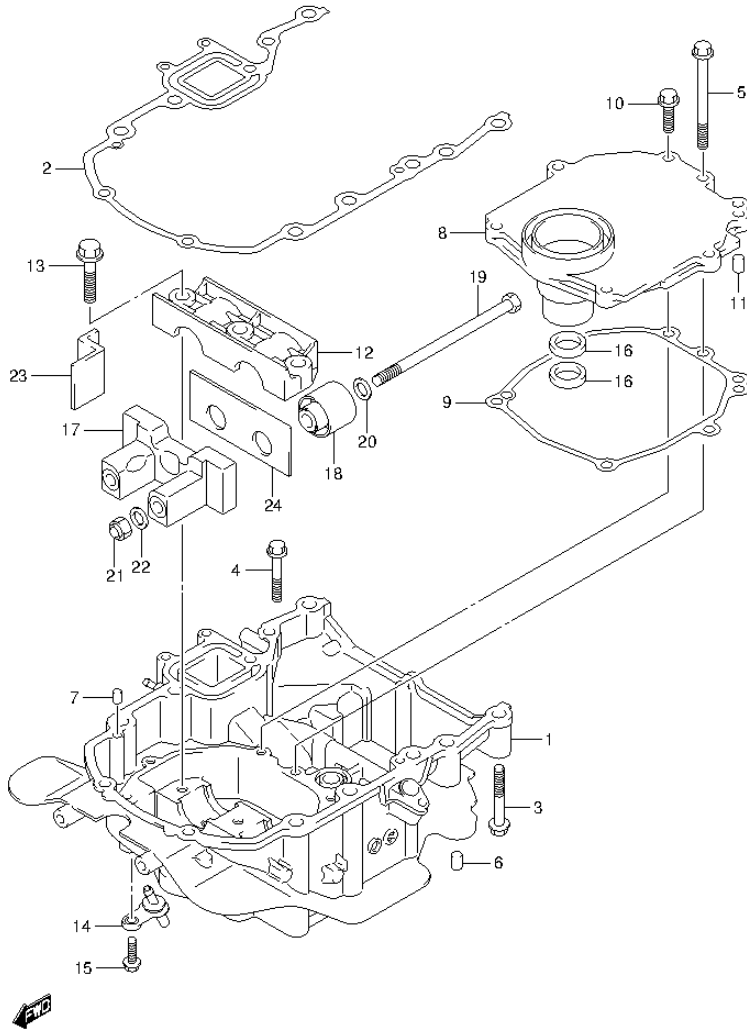


FIG.322 (3-E-11) ENGINE HOLDER (DF60A E40)

REF NO.	PART NO.	DESCRIPTION	Q'TY	REMARKS
1	51110-88L10-0EP	HOLDER, ENGINE (BLACK)	1	
2	51211-88L00	GASKET, ENGINE HOLDER	1	
3	09116-08159	BOLT (8X55)	8	
4	01550-0845A	BOLT	1	
5	01550-0885A	BOLT	1	
6	09202-08006	PIN (8X12)	2	
7	09202-08006	PIN (8X12)	2	
8	51122-88L00	COVER, MOUNT CASE	1	
9	51123-88L00	GASKET, MOUNT CASE COVER	1	
10	01550-0825A	BOLT	6	
11	09202-08006	PIN (8X12)	2	
12	54137-88L00	COVER, UPPER MOUNT	1	
13	09116-10176	BOLT (10X44)	3	
14	51170-88L00	BRACKET, WATER INDICATOR	1	
15	29116-93J00	BOLT, WATER INDICATOR UNION	1	
16	09282-17011	OIL SEAL (16.5X28X6)	2	
17	54124-88L20	BRACKET, UPPER THRUST	1	
18	54130-88L00	MOUNT, UPPER	2	
19	54166-95J02	BOLT, UPPER MOUNT	2	
20	54114-90J01	WASHER, UPPER MOUNT BOLT (12.5X22X3)	2	
21	09159-12014	NUT	2	
22	54114-90J01	WASHER, UPPER THRUST MOUNT NUT (12.5X22X3)	2	
23	54121-88L00	MOUNT, UPPER THRUST FR	2	
24	54123-88L00	MOUNT, UPPER THRUST RR	1	

FIG.323

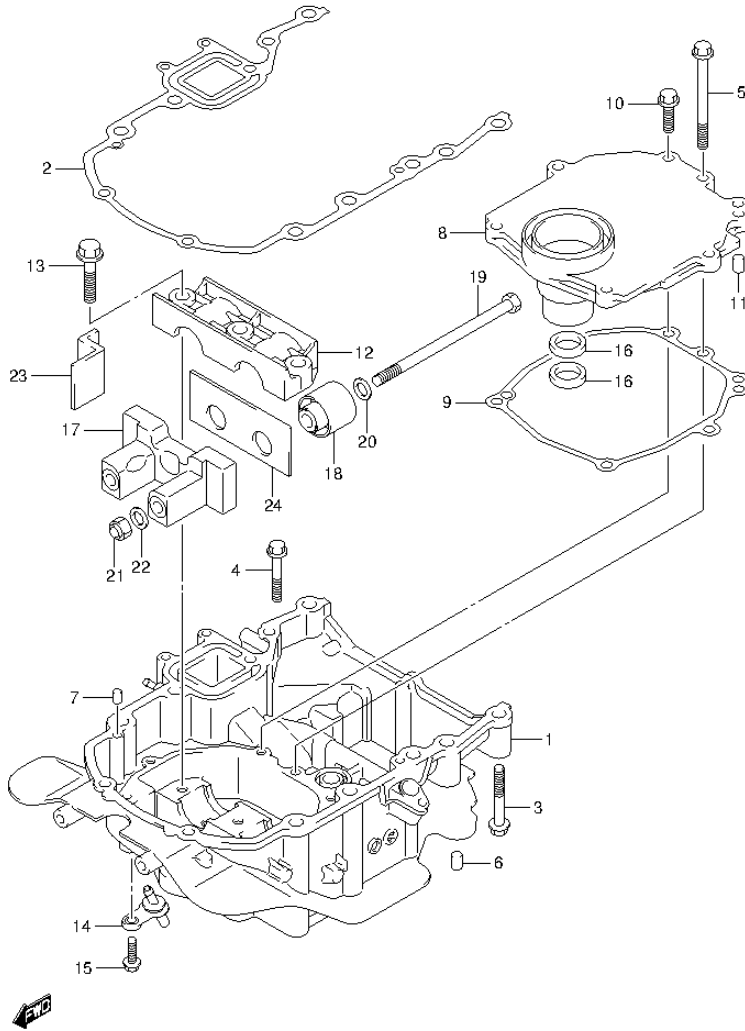


FIG.323 (3-E-12) ENGINE HOLDER (DF60AQH E01)

REF NO.	PART NO.	DESCRIPTION	Q'TY	REMARKS
1	51110-88L10-0EP	HOLDER, ENGINE (BLACK)	1	
2	51211-88L00	GASKET, ENGINE HOLDER	1	
3	09116-08159	BOLT (8X55)	8	
4	01550-0845A	BOLT	1	
5	01550-0885A	BOLT	1	
6	09202-08006	PIN (8X12)	2	
7	09202-08006	PIN (8X12)	2	
8	51122-88L00	COVER, MOUNT CASE	1	
9	51123-88L00	GASKET, MOUNT CASE COVER	1	
10	01550-0825A	BOLT	6	
11	09202-08006	PIN (8X12)	2	
12	54137-88L00	COVER, UPPER MOUNT	1	
13	09116-10176	BOLT (10X44)	3	
14	51170-88L00	BRACKET, WATER INDICATOR	1	
15	29116-93J00	BOLT, WATER INDICATOR UNION	1	
16	09282-17011	OIL SEAL (16.5X28X6)	2	
17	54124-88L20	BRACKET, UPPER THRUST	1	
18	54130-88L00	MOUNT, UPPER	2	
19	54166-95J02	BOLT, UPPER MOUNT	2	
20	54114-90J01	WASHER, UPPER MOUNT BOLT (12.5X22X3)	2	
21	09159-12014	NUT	2	
22	54114-90J01	WASHER, UPPER THRUST MOUNT NUT (12.5X22X3)	2	
23	54121-88L00	MOUNT, UPPER THRUST FR	2	
24	54123-88L00	MOUNT, UPPER THRUST RR	1	

FIG.324

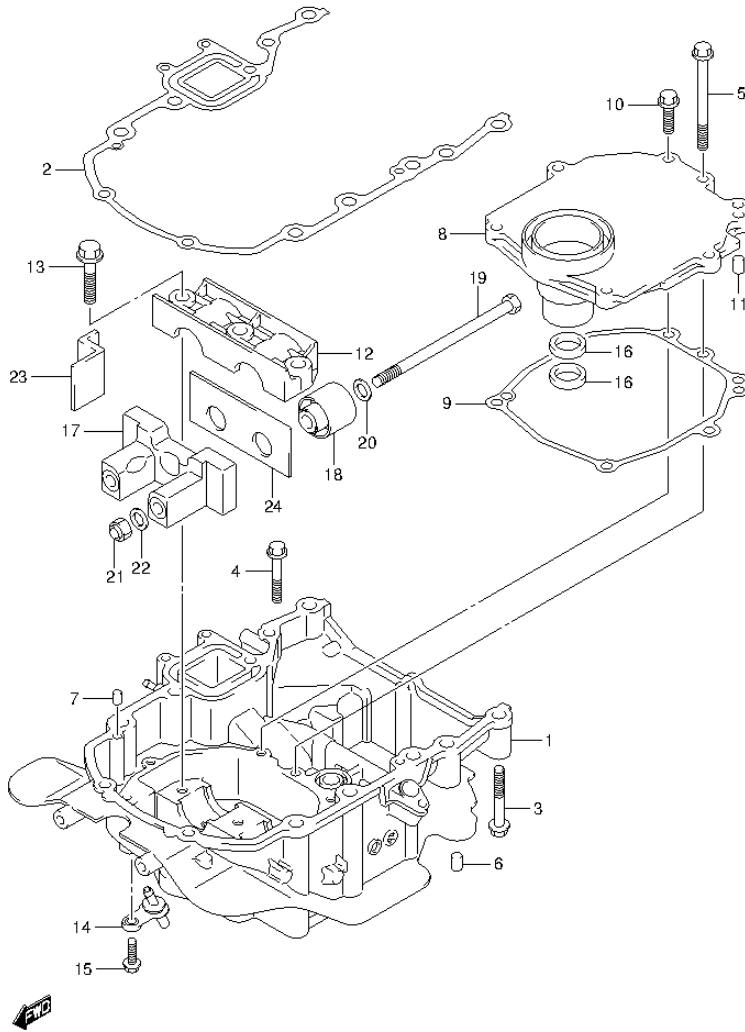


FIG.324 (3-E-13) ENGINE HOLDER (DF60AQH E40)

REF NO.	PART NO.	DESCRIPTION	Q'TY	REMARKS
1	51110-88L10-0EP	HOLDER, ENGINE (BLACK)	1	
2	51211-88L00	GASKET, ENGINE HOLDER	1	
3	09116-08159	BOLT (8X55)	8	
4	01550-0845A	BOLT	1	
5	01550-0885A	BOLT	1	
6	09202-08006	PIN (8X12)	2	
7	09202-08006	PIN (8X12)	2	
8	51122-88L00	COVER, MOUNT CASE	1	
9	51123-88L00	GASKET, MOUNT CASE COVER	1	
10	01550-0825A	BOLT	6	
11	09202-08006	PIN (8X12)	2	
12	54137-88L00	COVER, UPPER MOUNT	1	
13	09116-10176	BOLT (10X44)	3	
14	51170-88L00	BRACKET, WATER INDICATOR	1	
15	29116-93J00	BOLT, WATER INDICATOR UNION	1	
16	09282-17011	OIL SEAL (16.5X28X6)	2	
17	54124-88L20	BRACKET, UPPER THRUST	1	
18	54130-88L00	MOUNT, UPPER	2	
19	54166-95J02	BOLT, UPPER MOUNT	2	
20	54114-90J01	WASHER, UPPER MOUNT BOLT (12.5X22X3)	2	
21	09159-12014	NUT	2	
22	54114-90J01	WASHER, UPPER THRUST MOUNT NUT (12.5X22X3)	2	
23	54121-88L00	MOUNT, UPPER THRUST FR	2	
24	54123-88L00	MOUNT, UPPER THRUST RR	1	

FIG.325

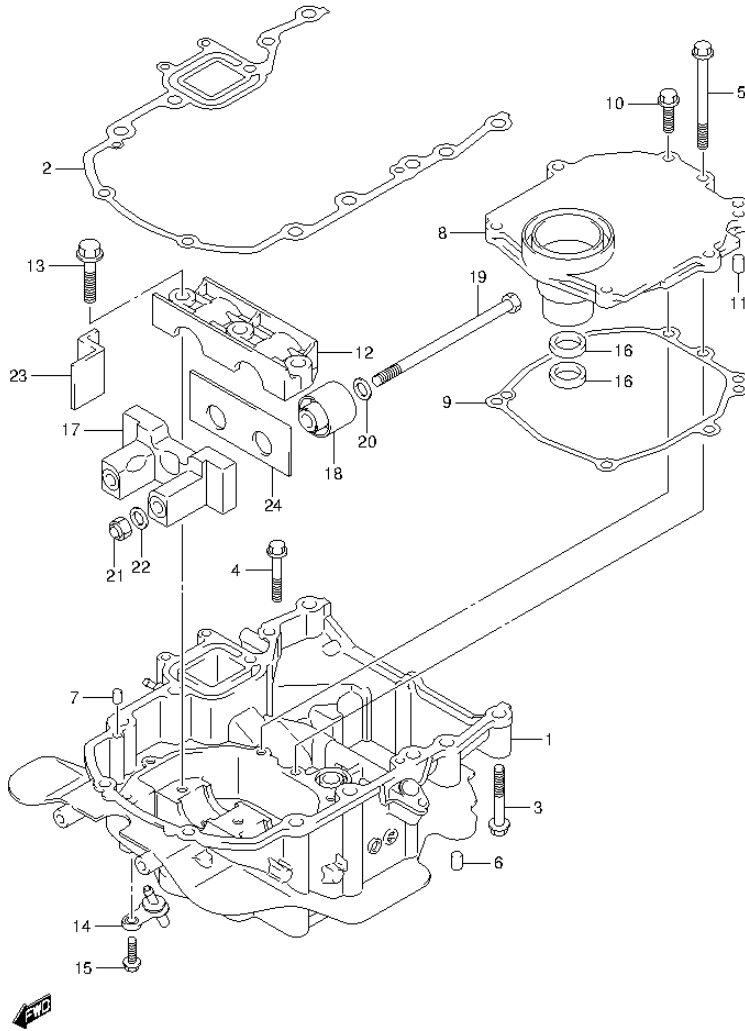


FIG.325 (3-E-14) ENGINE HOLDER (DF60ATH E01)

REF NO.	PART NO.	DESCRIPTION	Q'TY	REMARKS
1	51110-88L10-0EP	HOLDER, ENGINE (BLACK)	1	
2	51211-88L00	GASKET, ENGINE HOLDER	1	
3	09116-08159	BOLT (8X55)	8	
4	01550-0845A	BOLT	1	
5	01550-0885A	BOLT	1	
6	09202-08006	PIN (8X12)	2	
7	09202-08006	PIN (8X12)	2	
8	51122-88L00	COVER, MOUNT CASE	1	
9	51123-88L00	GASKET, MOUNT CASE COVER	1	
10	01550-0825A	BOLT	6	
11	09202-08006	PIN (8X12)	2	
12	54137-88L00	COVER, UPPER MOUNT	1	
13	09116-10176	BOLT (10X44)	3	
14	51170-88L00	BRACKET, WATER INDICATOR	1	
15	29116-93J00	BOLT, WATER INDICATOR UNION	1	
16	09282-17011	OIL SEAL (16.5X28X6)	2	
17	54124-88L20	BRACKET, UPPER THRUST	1	
18	54130-88L00	MOUNT, UPPER	2	
19	54166-95J02	BOLT, UPPER MOUNT	2	
20	54114-90J01	WASHER, UPPER MOUNT BOLT (12.5X22X3)	2	
21	09159-12014	NUT	2	
22	54114-90J01	WASHER, UPPER THRUST MOUNT NUT (12.5X22X3)	2	
23	54121-88L00	MOUNT, UPPER THRUST FR	2	
24	54123-88L00	MOUNT, UPPER THRUST RR	1	

FIG.326

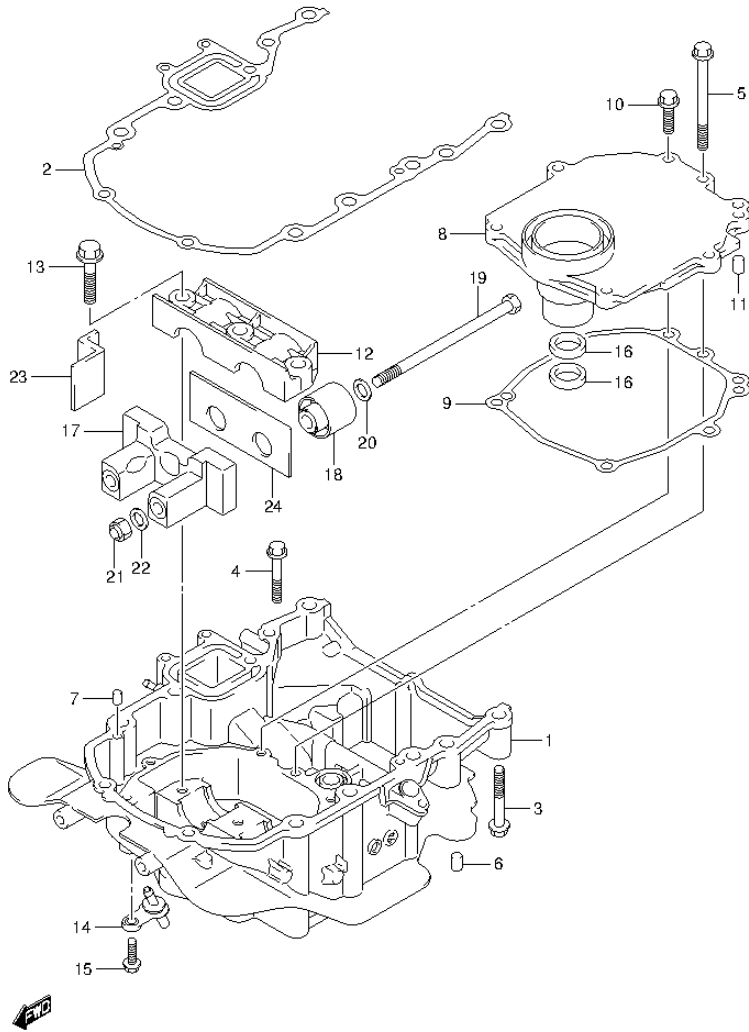


FIG.326 (3-E-15) ENGINE HOLDER (DF60ATH E40)

REF NO.	PART NO.	DESCRIPTION	Q'TY	REMARKS
1	51110-88L10-0EP	HOLDER, ENGINE (BLACK)	1	
2	51211-88L00	GASKET, ENGINE HOLDER	1	
3	09116-08159	BOLT (8X55)	8	
4	01550-0845A	BOLT	1	
5	01550-0885A	BOLT	1	
6	09202-08006	PIN (8X12)	2	
7	09202-08006	PIN (8X12)	2	
8	51122-88L00	COVER, MOUNT CASE	1	
9	51123-88L00	GASKET, MOUNT CASE COVER	1	
10	01550-0825A	BOLT	6	
11	09202-08006	PIN (8X12)	2	
12	54137-88L00	COVER, UPPER MOUNT	1	
13	09116-10176	BOLT (10X44)	3	
14	51170-88L00	BRACKET, WATER INDICATOR	1	
15	29116-93J00	BOLT, WATER INDICATOR UNION	1	
16	09282-17011	OIL SEAL (16.5X28X6)	2	
17	54124-88L20	BRACKET, UPPER THRUST	1	
18	54130-88L00	MOUNT, UPPER	2	
19	54166-95J02	BOLT, UPPER MOUNT	2	
20	54114-90J01	WASHER, UPPER MOUNT BOLT (12.5X22X3)	2	
21	09159-12014	NUT	2	
22	54114-90J01	WASHER, UPPER THRUST MOUNT NUT (12.5X22X3)	2	
23	54121-88L00	MOUNT, UPPER THRUST FR	2	
24	54123-88L00	MOUNT, UPPER THRUST RR	1	

FIG.327

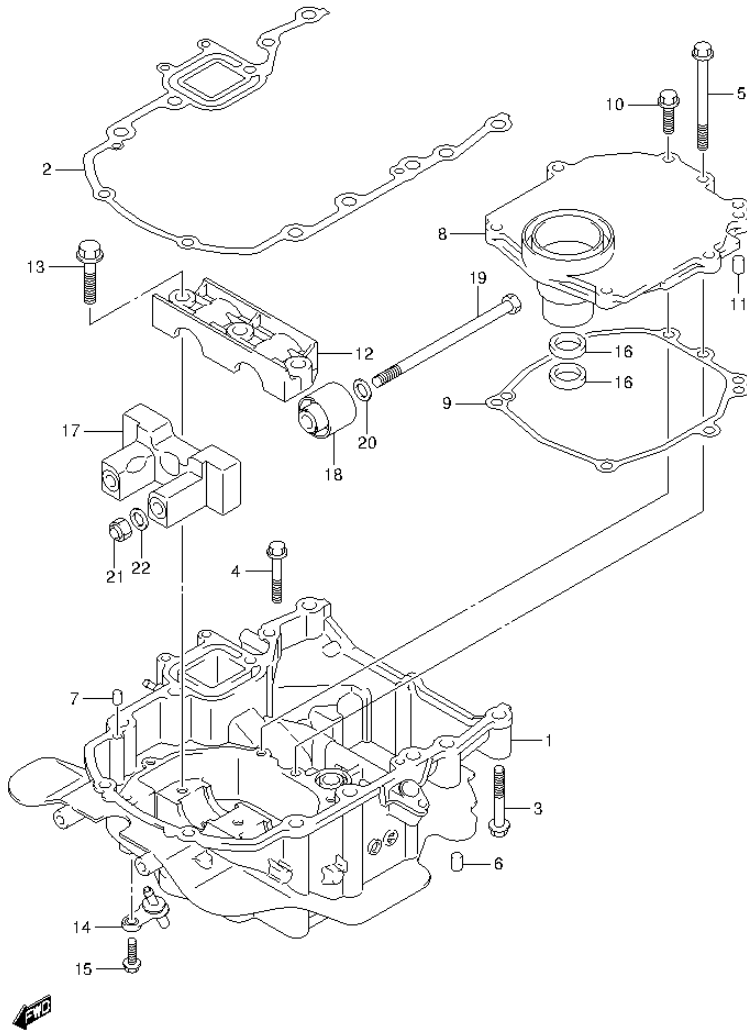


FIG.327 (3-F-2) ENGINE HOLDER (DF50AVT E01)

REF NO.	PART NO.	DESCRIPTION	Q'TY	REMARKS
1	51110-88L10-0EP	HOLDER, ENGINE (BLACK)	1	
2	51211-88L00	GASKET, ENGINE HOLDER	1	
3	09116-08159	BOLT (8X55)	8	
4	01550-0845A	BOLT	1	
5	01550-0885A	BOLT	1	
6	09202-08006	PIN (8X12)	2	
7	09202-08006	PIN (8X12)	2	
8	51122-88L00	COVER, MOUNT CASE	1	
9	51123-88L00	GASKET, MOUNT CASE COVER	1	
10	01550-0825A	BOLT	6	
11	09202-08006	PIN (8X12)	2	
12	54137-88L00	COVER, UPPER MOUNT	1	
13	09116-10176	BOLT (10X44)	3	
14	51170-88L00	BRACKET, WATER INDICATOR	1	
15	29116-93J00	BOLT, WATER INDICATOR UNION	1	
16	09282-17011	OIL SEAL (16.5X28X6)	2	
17	54120-88L00	MOUNT, UPPER THRUST F	1	
18	54130-88L00	MOUNT, UPPER	2	
19	54166-95J02	BOLT, UPPER MOUNT	2	
20	54114-90J01	WASHER, UPPER MOUNT BOLT (12.5X22X3)	2	
21	09159-12014	NUT	2	
22	54114-90J01	WASHER, UPPER THRUST MOUNT NUT (12.5X22X3)	2	

FIG.328

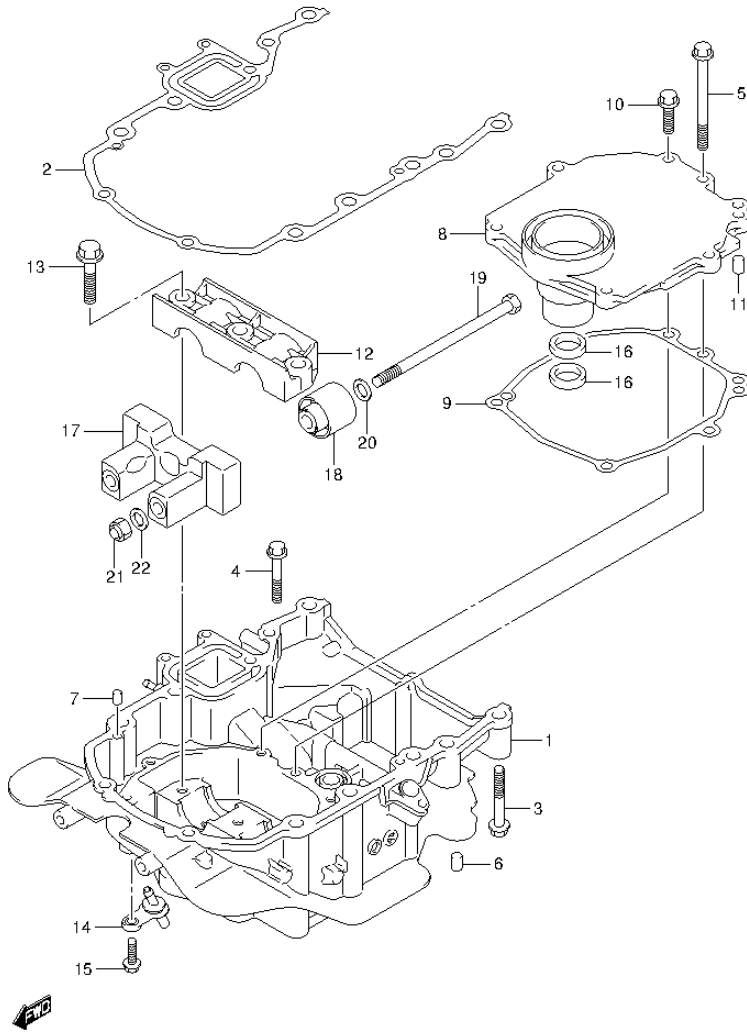


FIG.328 (3-F-3) ENGINE HOLDER (DF50AVTH E01)

REF NO.	PART NO.	DESCRIPTION	Q'TY	REMARKS
1	51110-88L10-0EP	HOLDER, ENGINE (BLACK)	1	
2	51211-88L00	GASKET, ENGINE HOLDER	1	
3	09116-08159	BOLT (8X55)	8	
4	01550-0845A	BOLT	1	
5	01550-0885A	BOLT	1	
6	09202-08006	PIN (8X12)	2	
7	09202-08006	PIN (8X12)	2	
8	51122-88L00	COVER, MOUNT CASE	1	
9	51123-88L00	GASKET, MOUNT CASE COVER	1	
10	01550-0825A	BOLT	6	
11	09202-08006	PIN (8X12)	2	
12	54137-88L00	COVER, UPPER MOUNT	1	
13	09116-10176	BOLT (10X44)	3	
14	51170-88L00	BRACKET, WATER INDICATOR	1	
15	29116-93J00	BOLT, WATER INDICATOR UNION	1	
16	09282-17011	OIL SEAL (16.5X28X6)	2	
17	54120-88L00	MOUNT, UPPER THRUST F	1	
18	54130-88L00	MOUNT, UPPER	2	
19	54166-95J02	BOLT, UPPER MOUNT	2	
20	54114-90J01	WASHER, UPPER MOUNT BOLT (12.5X22X3)	2	
21	09159-12014	NUT	2	
22	54114-90J01	WASHER, UPPER THRUST MOUNT NUT (12.5X22X3)	2	

FIG.329

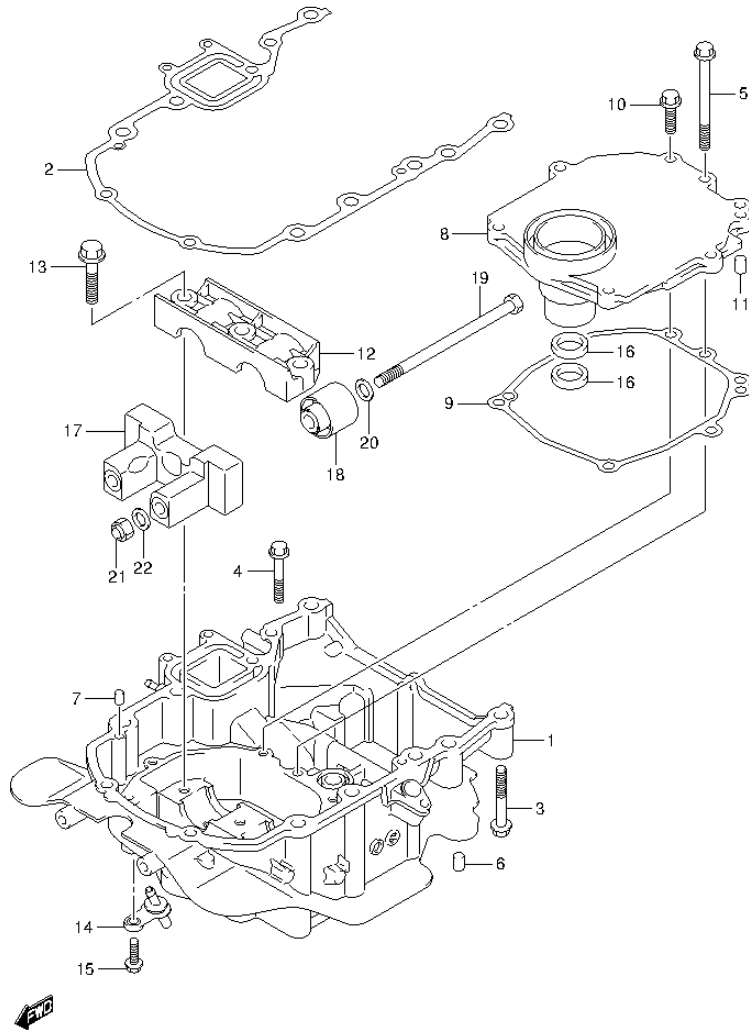


FIG.329 (3-F-4) ENGINE HOLDER (DF60AVT E01)

REF NO.	PART NO.	DESCRIPTION	Q'TY	REMARKS
1	51110-88L10-0EP	HOLDER, ENGINE (BLACK)	1	
2	51211-88L00	GASKET, ENGINE HOLDER	1	
3	09116-08159	BOLT (8X55)	8	
4	01550-0845A	BOLT	1	
5	01550-0885A	BOLT	1	
6	09202-08006	PIN (8X12)	2	
7	09202-08006	PIN (8X12)	2	
8	51122-88L00	COVER, MOUNT CASE	1	
9	51123-88L00	GASKET, MOUNT CASE COVER	1	
10	01550-0825A	BOLT	6	
11	09202-08006	PIN (8X12)	2	
12	54137-88L00	COVER, UPPER MOUNT	1	
13	09116-10176	BOLT (10X44)	3	
14	51170-88L00	BRACKET, WATER INDICATOR	1	
15	29116-93J00	BOLT, WATER INDICATOR UNION	1	
16	09282-17011	OIL SEAL (16.5X28X6)	2	
17	54120-88L00	MOUNT, UPPER THRUST F	1	
18	54130-88L00	MOUNT, UPPER	2	
19	54166-95J02	BOLT, UPPER MOUNT	2	
20	54114-90J01	WASHER, UPPER MOUNT BOLT (12.5X22X3)	2	
21	09159-12014	NUT	2	
22	54114-90J01	WASHER, UPPER THRUST MOUNT NUT (12.5X22X3)	2	

FIG.330

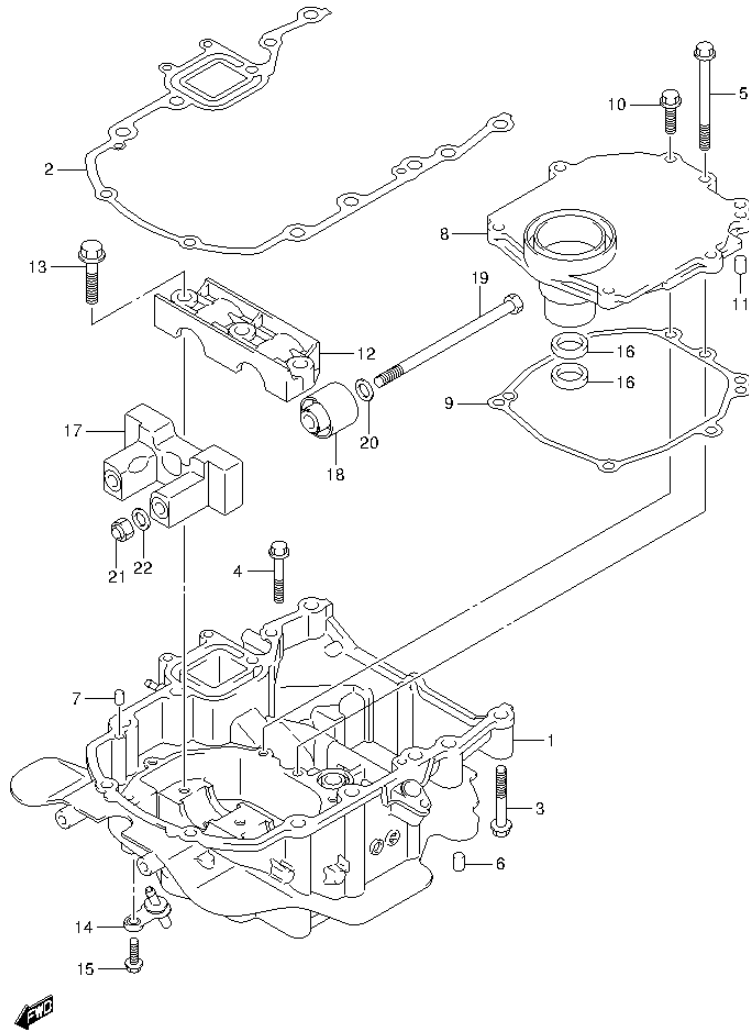


FIG.330 (3-F-5) ENGINE HOLDER (DF60AVT E40)

REF NO.	PART NO.	DESCRIPTION	Q'TY	REMARKS
1	51110-88L10-0EP	HOLDER, ENGINE (BLACK)	1	
2	51211-88L00	GASKET, ENGINE HOLDER	1	
3	09116-08159	BOLT (8X55)	8	
4	01550-0845A	BOLT	1	
5	01550-0885A	BOLT	1	
6	09202-08006	PIN (8X12)	2	
7	09202-08006	PIN (8X12)	2	
8	51122-88L00	COVER, MOUNT CASE	1	
9	51123-88L00	GASKET, MOUNT CASE COVER	1	
10	01550-0825A	BOLT	6	
11	09202-08006	PIN (8X12)	2	
12	54137-88L00	COVER, UPPER MOUNT	1	
13	09116-10176	BOLT (10X44)	3	
14	51170-88L00	BRACKET, WATER INDICATOR	1	
15	29116-93J00	BOLT, WATER INDICATOR UNION	1	
16	09282-17011	OIL SEAL (16.5X28X6)	2	
17	54120-88L00	MOUNT, UPPER THRUST F	1	
18	54130-88L00	MOUNT, UPPER	2	
19	54166-95J02	BOLT, UPPER MOUNT	2	
20	54114-90J01	WASHER, UPPER MOUNT BOLT (12.5X22X3)	2	
21	09159-12014	NUT	2	
22	54114-90J01	WASHER, UPPER THRUST MOUNT NUT (12.5X22X3)	2	

FIG.331

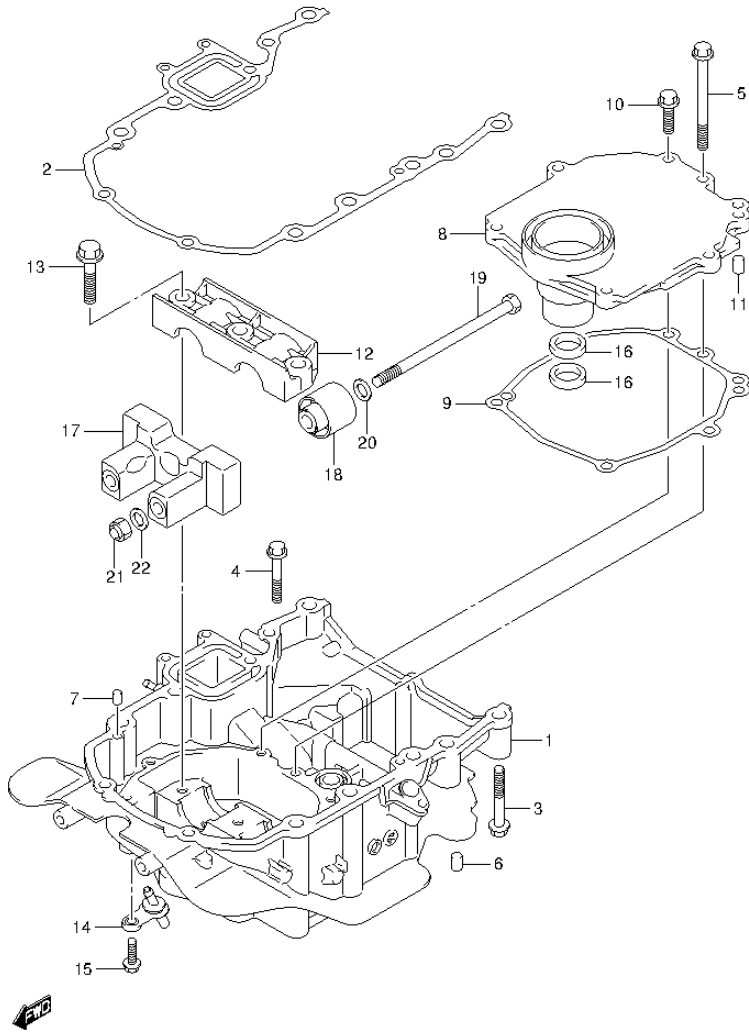


FIG.331 (3-F-6) ENGINE HOLDER (DF60AVTH E01)

REF NO.	PART NO.	DESCRIPTION	Q'TY	REMARKS
1	51110-88L10-0EP	HOLDER, ENGINE (BLACK)	1	
2	51211-88L00	GASKET, ENGINE HOLDER	1	
3	09116-08159	BOLT (8X55)	8	
4	01550-0845A	BOLT	1	
5	01550-0885A	BOLT	1	
6	09202-08006	PIN (8X12)	2	
7	09202-08006	PIN (8X12)	2	
8	51122-88L00	COVER, MOUNT CASE	1	
9	51123-88L00	GASKET, MOUNT CASE COVER	1	
10	01550-0825A	BOLT	6	
11	09202-08006	PIN (8X12)	2	
12	54137-88L00	COVER, UPPER MOUNT	1	
13	09116-10176	BOLT (10X44)	3	
14	51170-88L00	BRACKET, WATER INDICATOR	1	
15	29116-93J00	BOLT, WATER INDICATOR UNION	1	
16	09282-17011	OIL SEAL (16.5X28X6)	2	
17	54120-88L00	MOUNT, UPPER THRUST F	1	
18	54130-88L00	MOUNT, UPPER	2	
19	54166-95J02	BOLT, UPPER MOUNT	2	
20	54114-90J01	WASHER, UPPER MOUNT BOLT (12.5X22X3)	2	
21	09159-12014	NUT	2	
22	54114-90J01	WASHER, UPPER THRUST MOUNT NUT (12.5X22X3)	2	

FIG.332

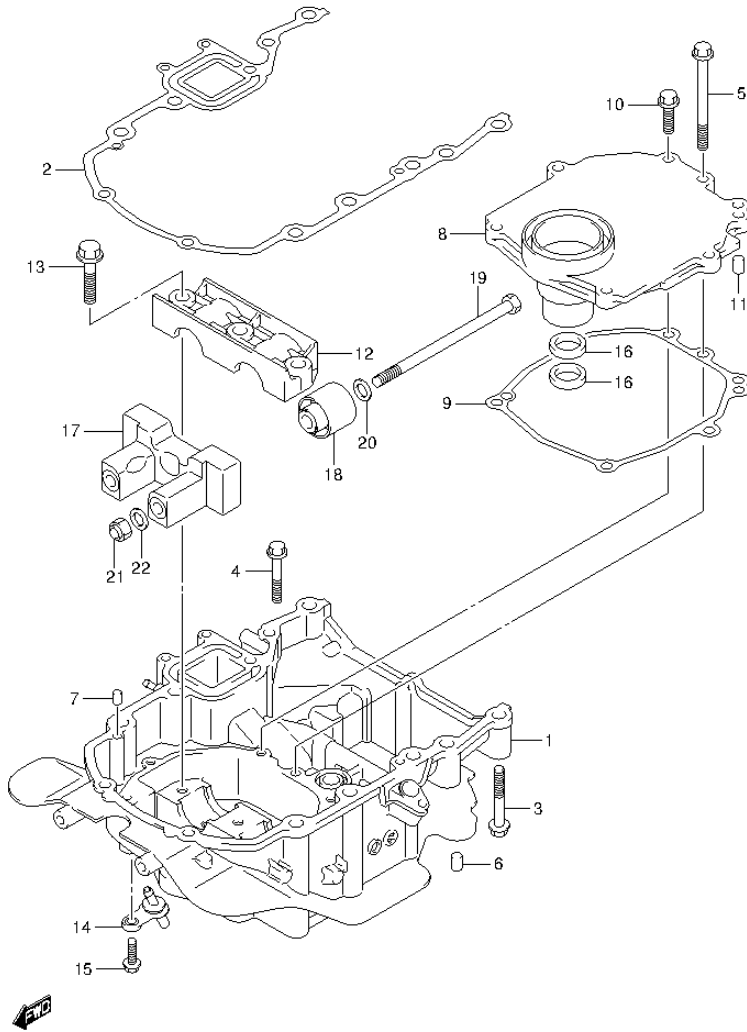


FIG.332 (3-F-7) ENGINE HOLDER (DF60AVTH E40)

REF NO.	PART NO.	DESCRIPTION	Q'TY	REMARKS
1	51110-88L10-0EP	HOLDER, ENGINE (BLACK)	1	
2	51211-88L00	GASKET, ENGINE HOLDER	1	
3	09116-08159	BOLT (8X55)	8	
4	01550-0845A	BOLT	1	
5	01550-0885A	BOLT	1	
6	09202-08006	PIN (8X12)	2	
7	09202-08006	PIN (8X12)	2	
8	51122-88L00	COVER, MOUNT CASE	1	
9	51123-88L00	GASKET, MOUNT CASE COVER	1	
10	01550-0825A	BOLT	6	
11	09202-08006	PIN (8X12)	2	
12	54137-88L00	COVER, UPPER MOUNT	1	
13	09116-10176	BOLT (10X44)	3	
14	51170-88L00	BRACKET, WATER INDICATOR	1	
15	29116-93J00	BOLT, WATER INDICATOR UNION	1	
16	09282-17011	OIL SEAL (16.5X28X6)	2	
17	54120-88L00	MOUNT, UPPER THRUST F	1	
18	54130-88L00	MOUNT, UPPER	2	
19	54166-95J02	BOLT, UPPER MOUNT	2	
20	54114-90J01	WASHER, UPPER MOUNT BOLT (12.5X22X3)	2	
21	09159-12014	NUT	2	
22	54114-90J01	WASHER, UPPER THRUST MOUNT NUT (12.5X22X3)	2	

FIG.333

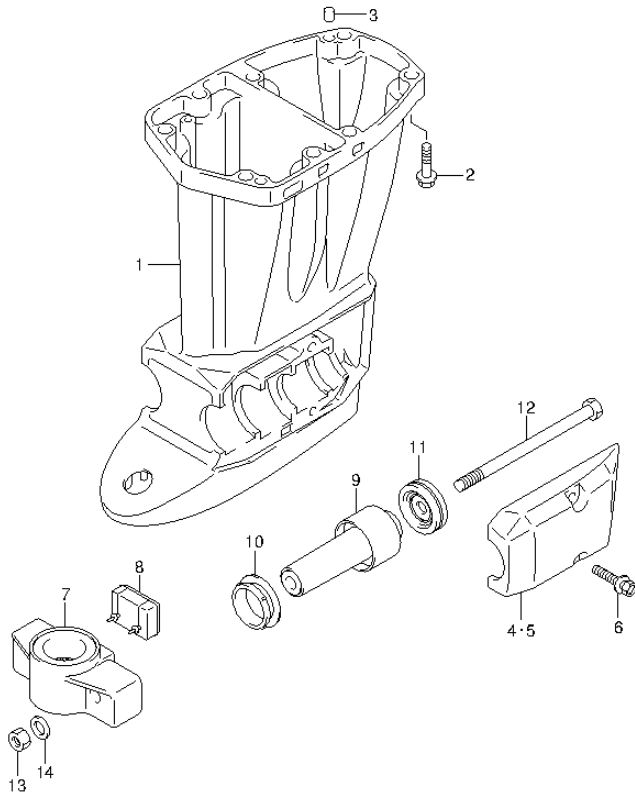


FIG.333 (3-F-8) DRIVE SHAFT HOUSING (DF40A E01)

REF NO.	PART NO.	DESCRIPTION	Q'TY	REMARKS
1-1	52111-88L00-0EP	HOUSING, DRIVE SHAFT (S) (BLACK)	1	W/TRANSOM(S)
1-2	52111-88L10-0EP	HOUSING, DRIVE SHAFT (L) (BLACK)	1	W/TRANSOM(L)
2	09116-10176	BOLT (10X44)	8	
3	09202-08006	PIN (8X12)	2	
4	54221-88L01-0EP	COVER, LOWER MOUNT STBD (BLACK)	1	
5	54231-88L01-0EP	COVER, LOWER MOUNT PORT (BLACK)	1	
6	09116-10176	BOLT (10X44)	4	
7	54211-87J10-0EP	BRACKET, LOWER MOUNT (BLACK)	1	
8	54151-88L00	MOUNT, LOWER THRUST	1	
9	54160-88L10	MOUNT, LOWER	2	
10	54167-87L01	MOUNT, LOWER SIDE	2	
11	54180-88L00	DAMPER, FORWARD STOPPER	2	
12	54166-95J02	BOLT, LOWER MOUNT	2	
13	09159-12014	NUT	2	
14	54114-90J01	WASHER, LOWER MOUNT NUT (12.5X22X3)	2	

FIG.334

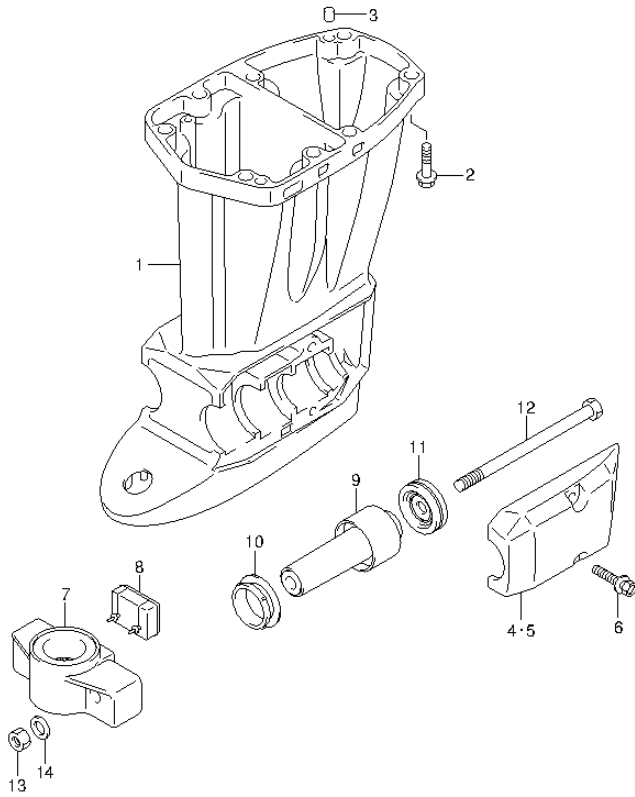


FIG.334 (3-F-9) DRIVE SHAFT HOUSING (DF40AQH E01)

REF NO.	PART NO.	DESCRIPTION	Q'TY	REMARKS
1	52111-88L10-0EP	HOUSING, DRIVE SHAFT (L) (BLACK)	1	
2	09116-10176	BOLT (10X44)	8	
3	09202-08006	PIN (8X12)	2	
4	54221-88L01-0EP	COVER, LOWER MOUNT STBD (BLACK)	1	
5	54231-88L01-0EP	COVER, LOWER MOUNT PORT (BLACK)	1	
6	09116-10176	BOLT (10X44)	4	
7	54211-87J10-0EP	BRACKET, LOWER MOUNT (BLACK)	1	
8	54151-88L00	MOUNT, LOWER THRUST	1	
9	54160-88L10	MOUNT, LOWER	2	
10	54167-87L01	MOUNT, LOWER SIDE	2	
11	54180-88L00	DAMPER, FWD STOPPER	2	
12	54166-95J02	BOLT, LOWER MOUNT	2	
13	09159-12014	NUT	2	
14	54114-90J01	WASHER, LOWER MOUNT NUT (12.5X22X3)	2	



FIG.335

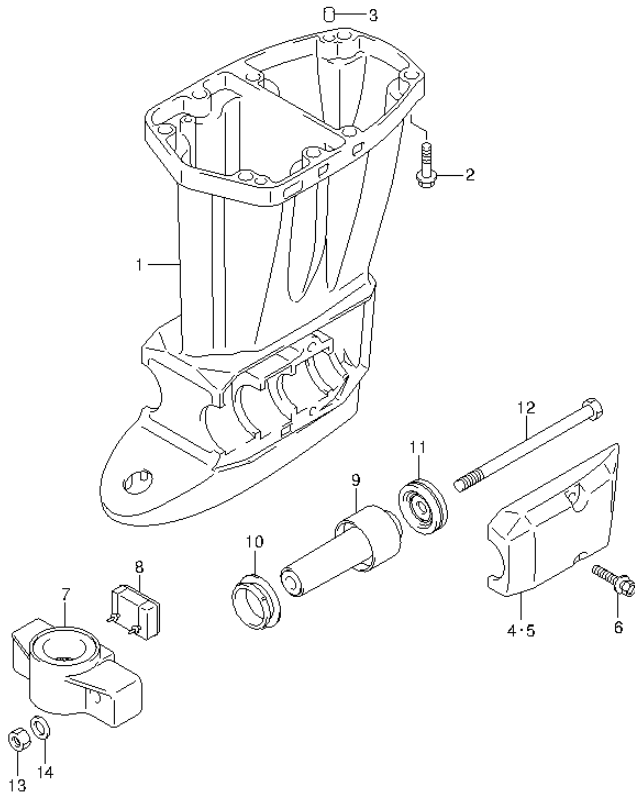


FIG.335 (3-F-10) DRIVE SHAFT HOUSING (DF40ATH E01)

REF NO.	PART NO.	DESCRIPTION	Q'TY	REMARKS
1	52111-88L10-0EP	HOUSING, DRIVE SHAFT (L) (BLACK)	1	
2	09116-10176	BOLT (10X44)	8	
3	09202-08006	PIN (8X12)	2	
4	54221-88L01-0EP	COVER, LOWER MOUNT STBD (BLACK)	1	
5	54231-88L01-0EP	COVER, LOWER MOUNT PORT (BLACK)	1	
6	09116-10176	BOLT (10X44)	4	
7	54211-87J10-0EP	BRACKET, LOWER MOUNT (BLACK)	1	
8	54151-88L00	MOUNT, LOWER THRUST	1	
9	54160-88L10	MOUNT, LOWER	2	
10	54167-87L01	MOUNT, LOWER SIDE	2	
11	54180-88L00	DAMPER, FWD STOPPER	2	
12	54166-95J02	BOLT, LOWER MOUNT	2	
13	09159-12014	NUT	2	
14	54114-90J01	WASHER, LOWER MOUNT NUT (12.5X22X3)	2	



FIG.336

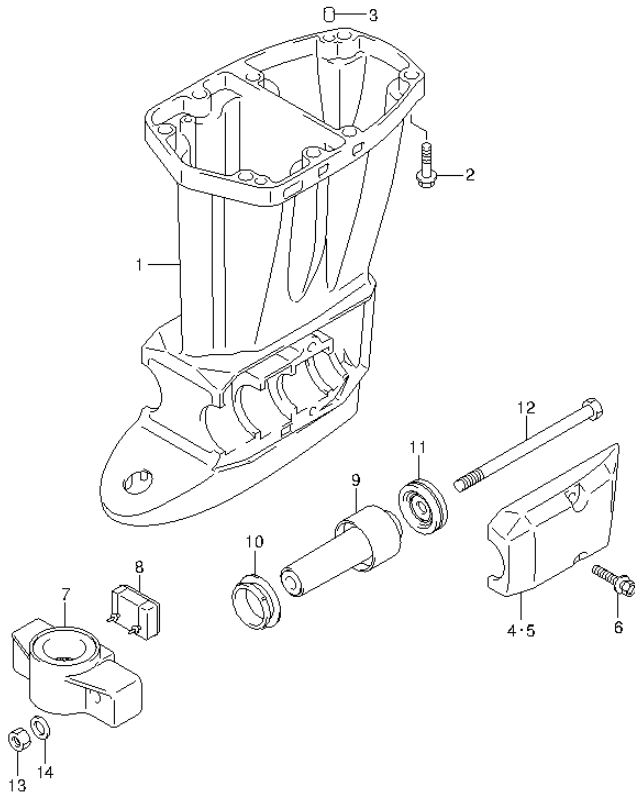


FIG.336 (3-F-11) DRIVE SHAFT HOUSING (DF40AST E34)

REF NO.	PART NO.	DESCRIPTION	Q'TY	REMARKS
1-1	52111-88L00-0EP	HOUSING, DRIVE SHAFT (S) (BLACK)	1	W/TRANSOM(S)
1-2	52111-88L10-0EP	HOUSING, DRIVE SHAFT (L) (BLACK)	1	W/TRANSOM(L)
2	09116-10176	BOLT (10X44)	8	
3	09202-08006	PIN (8X12)	2	
4	54221-88L01-0EP	COVER, LOWER MOUNT STBD (BLACK)	1	
5	54231-88L01-0EP	COVER, LOWER MOUNT PORT (BLACK)	1	
6	09116-10176	BOLT (10X44)	4	
7	54211-87J10-0EP	BRACKET, LOWER MOUNT (BLACK)	1	
8	54151-88L00	MOUNT, LOWER THRUST	1	
9	54160-88L10	MOUNT, LOWER	2	
10	54167-87L01	MOUNT, LOWER SIDE	2	
11	54180-88L00	DAMPER, FORWARD STOPPER	2	
12	54166-95J02	BOLT, LOWER MOUNT	2	
13	09159-12014	NUT	2	
14	54114-90J01	WASHER, LOWER MOUNT NUT (12.5X22X3)	2	

FIG.337

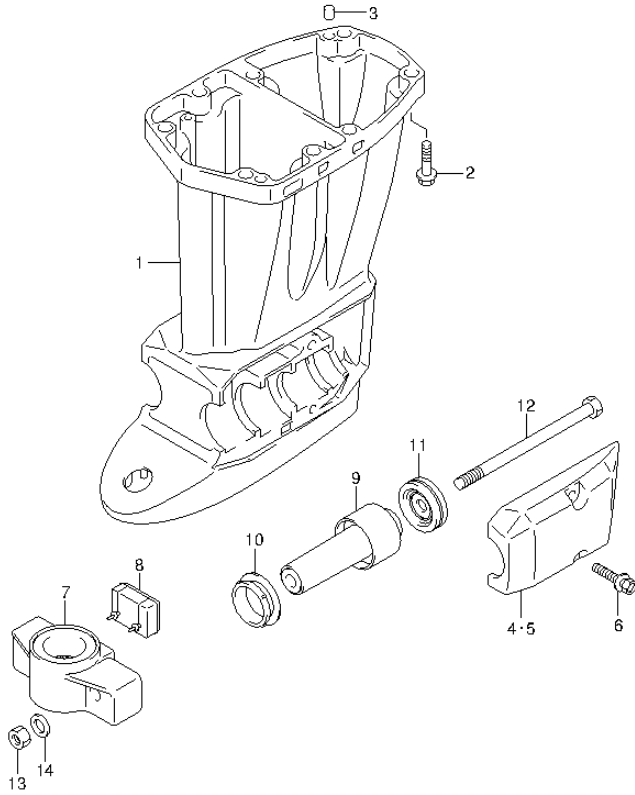


FIG.337 (3-F-12) DRIVE SHAFT HOUSING (DF50A E01)

REF NO.	PART NO.	DESCRIPTION	Q'TY	REMARKS
1-1	52111-88L00-0EP	HOUSING, DRIVE SHAFT (S) (BLACK)	1	W/TRANSOM(S)
1-2	52111-88L10-0EP	HOUSING, DRIVE SHAFT (L) (BLACK)	1	W/TRANSOM(L)
2	09116-10176	BOLT (10X44)	8	
3	09202-08006	PIN (8X12)	2	
4	54221-88L01-0EP	COVER, LOWER MOUNT STBD (BLACK)	1	
5	54231-88L01-0EP	COVER, LOWER MOUNT PORT (BLACK)	1	
6	09116-10176	BOLT (10X44)	4	
7	54211-87J10-0EP	BRACKET, LOWER MOUNT (BLACK)	1	
8	54151-88L00	MOUNT, LOWER THRUST	1	
9	54160-88L10	MOUNT, LOWER	2	
10	54167-87L01	MOUNT, LOWER SIDE	2	
11	54180-88L00	DAMPER, FORWARD STOPPER	2	
12	54166-95J02	BOLT, LOWER MOUNT	2	
13	09159-12014	NUT	2	
14	54114-90J01	WASHER, LOWER MOUNT NUT (12.5X22X3)	2	



FIG.338

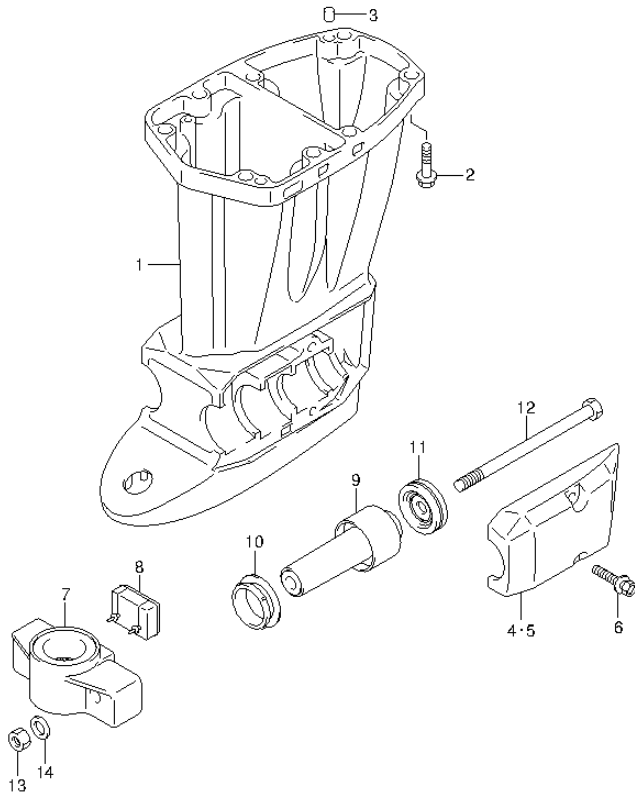


FIG.338 (3-F-13) DRIVE SHAFT HOUSING (DF50ATH E01)

REF NO.	PART NO.	DESCRIPTION	Q'TY	REMARKS
1	52111-88L10-0EP	HOUSING, DRIVE SHAFT (L) (BLACK)	1	
2	09116-10176	BOLT (10X44)	8	
3	09202-08006	PIN (8X12)	2	
4	54221-88L01-0EP	COVER, LOWER MOUNT STBD (BLACK)	1	
5	54231-88L01-0EP	COVER, LOWER MOUNT PORT (BLACK)	1	
6	09116-10176	BOLT (10X44)	4	
7	54211-87J10-0EP	BRACKET, LOWER MOUNT (BLACK)	1	
8	54151-88L00	MOUNT, LOWER THRUST	1	
9	54160-88L10	MOUNT, LOWER	2	
10	54167-87L01	MOUNT, LOWER SIDE	2	
11	54180-88L00	DAMPER, FWD STOPPER	2	
12	54166-95J02	BOLT, LOWER MOUNT	2	
13	09159-12014	NUT	2	
14	54114-90J01	WASHER, LOWER MOUNT NUT (12.5X22X3)	2	



FIG.339

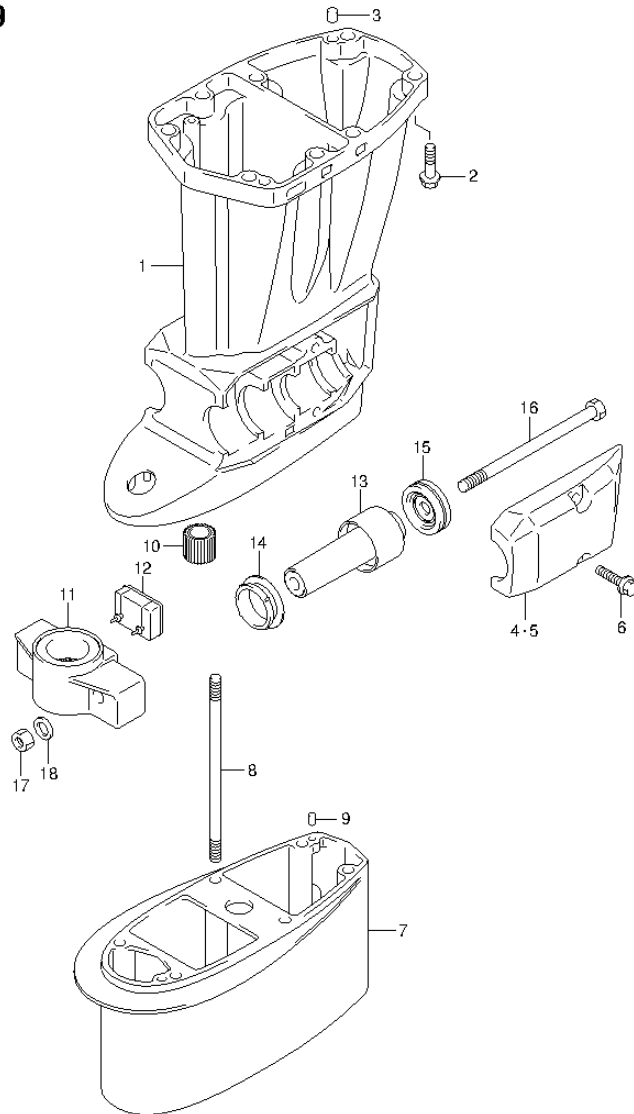


FIG.339 (3-F-14) DRIVE SHAFT HOUSING (DF60A E01)

REF NO.	PART NO.	DESCRIPTION	Q'TY	REMARKS
1-1	52111-88L00-0EP	HOUSING, DRIVE SHAFT (S) (BLACK)	1	W/TRANSOM(S)
1-2	52111-88L10-0EP	HOUSING, DRIVE SHAFT (L) (BLACK)	1	W/TRANSOM(L) W/TRANSOM(X)
2	09116-10176	BOLT (10X44)	8	
3	09202-08006	PIN (8X12)	2	
4	54221-88L01-0EP	COVER, LOWER MOUNT STBD (BLACK)	1	
5	54231-88L01-0EP	COVER, LOWER MOUNT PORT (BLACK)	1	
6	09116-10176	BOLT (10X44)	4	
7	52131-88L00-0EP	CASE, EXTENSION (BLACK)	1	W/TRANSOM(X)
8	09108-08254	STUD BOLT	6	W/TRANSOM(X)
9	09202-06023	PIN (6X10)	2	W/TRANSOM(X)
10	57130-94301	BUSH, DRIVE SHAFT	1	W/TRANSOM(X)
11	54211-87J10-0EP	BRACKET, LOWER MOUNT (BLACK)	1	
12	54151-88L00	MOUNT, LOWER THRUST	1	
13	54160-88L10	MOUNT, LOWER	2	
14	54167-87L01	MOUNT, LOWER SIDE	2	
15	54180-88L00	DAMPER, FWD STOPPER	2	
16	54166-95J02	BOLT, LOWER MOUNT	2	
17	09159-12014	NUT	2	
18	54114-90J01	WASHER, LOWER MOUNT NUT (12.5X22X3)	2	

FIG.340

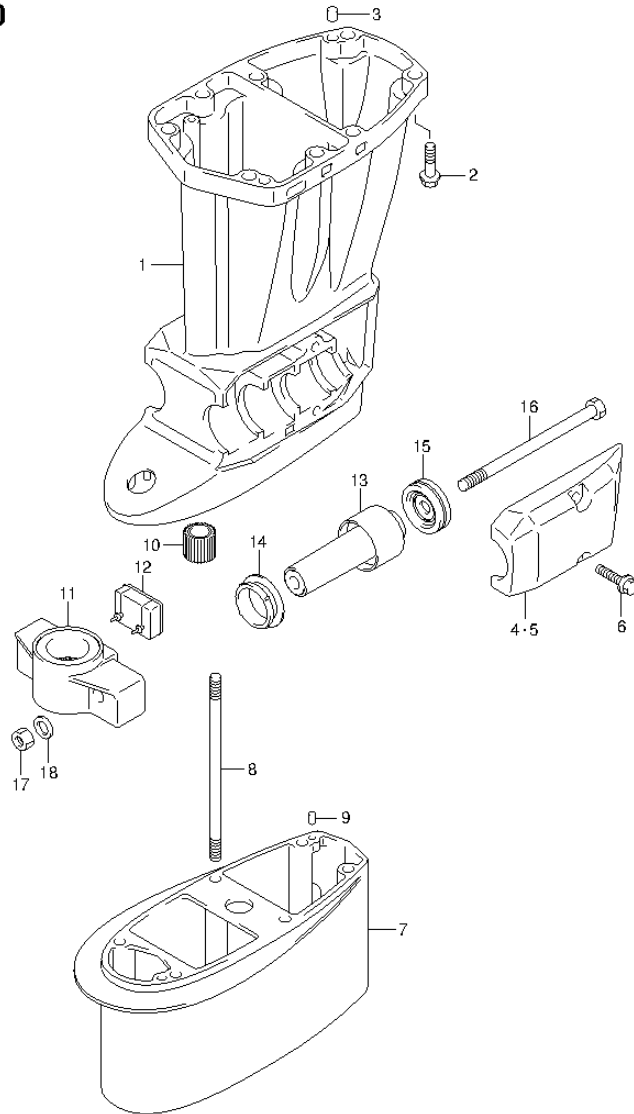


FIG.340 (3-F-15) DRIVE SHAFT HOUSING (DF60A E40)

REF NO.	PART NO.	DESCRIPTION	Q'TY	REMARKS
1	52111-88L10-0EP	HOUSING, DRIVE SHAFT (L) (BLACK)	1	
2	09116-10176	BOLT (10X44)	8	
3	09202-08006	PIN (8X12)	2	
4	54221-88L01-0EP	COVER, LOWER MOUNT STBD (BLACK)	1	
5	54231-88L01-0EP	COVER, LOWER MOUNT PORT (BLACK)	1	
6	09116-10176	BOLT (10X44)	4	
7	52131-88L00-0EP	CASE, EXTENSION (BLACK)	1	W/TRANSOM(X)
8	09108-08254	STUD BOLT	6	W/TRANSOM(X)
9	09202-06023	PIN (6X10)	2	W/TRANSOM(X)
10	57130-94301	BUSH, DRIVE SHAFT	1	W/TRANSOM(X)
11	54211-87J10-0EP	BRACKET, LOWER MOUNT (BLACK)	1	
12	54151-88L00	MOUNT, LOWER THRUST	1	
13	54160-88L10	MOUNT, LOWER	2	
14	54167-87L01	MOUNT, LOWER SIDE	2	
15	54180-88L00	DAMPER, FWD STOPPER	2	
16	54166-95J02	BOLT, LOWER MOUNT	2	
17	09159-12014	NUT	2	
18	54114-90J01	WASHER, LOWER MOUNT NUT (12.5X22X3)	2	

FIG.341

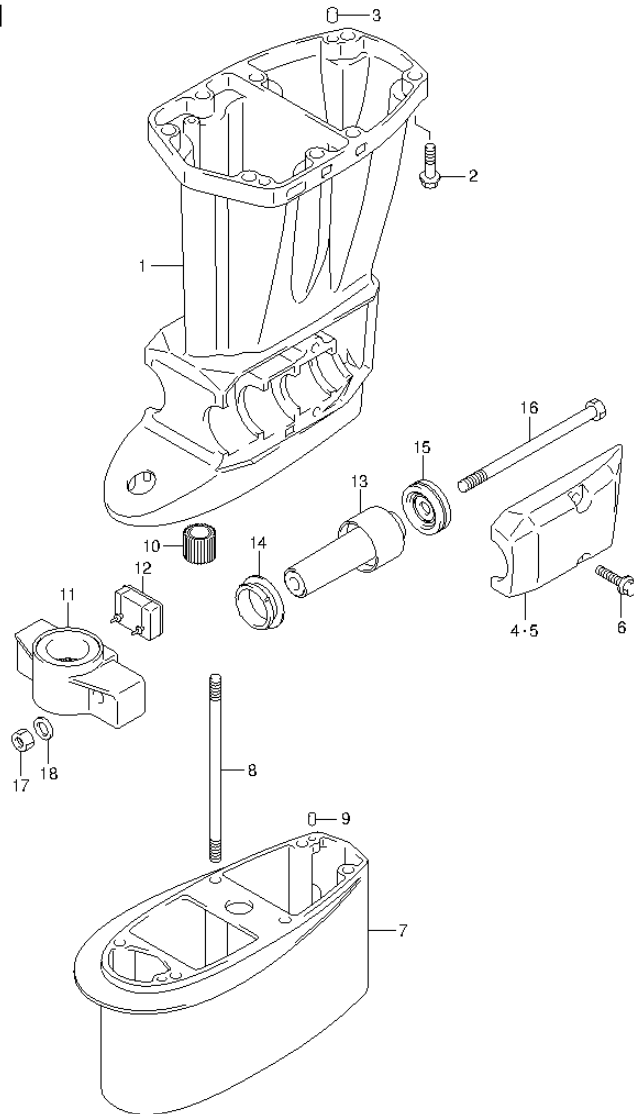


FIG.341 (3-G-2) DRIVE SHAFT HOUSING (DF60AQH E01)

REF NO.	PART NO.	DESCRIPTION	Q'TY	REMARKS
1	52111-88L10-0EP	HOUSING, DRIVE SHAFT (L) (BLACK)	1	
2	09116-10176	BOLT (10X44)	8	
3	09202-08006	PIN (8X12)	2	
4	54221-88L01-0EP	COVER, LOWER MOUNT STBD (BLACK)	1	
5	54231-88L01-0EP	COVER, LOWER MOUNT PORT (BLACK)	1	
6	09116-10176	BOLT (10X44)	4	
7	52131-88L00-0EP	CASE, EXTENSION (BLACK)	1	W/TRANSOM(X)
8	09108-08254	STUD BOLT	6	W/TRANSOM(X)
9	09202-06023	PIN (6X10)	2	W/TRANSOM(X)
10	57130-94301	BUSH, DRIVE SHAFT	1	W/TRANSOM(X)
11	54211-87J10-0EP	BRACKET, LOWER MOUNT (BLACK)	1	
12	54151-88L00	MOUNT, LOWER THRUST	1	
13	54160-88L10	MOUNT, LOWER	2	
14	54167-87L01	MOUNT, LOWER SIDE	2	
15	54180-88L00	DAMPER, FWD STOPPER	2	
16	54166-95J02	BOLT, LOWER MOUNT	2	
17	09159-12014	NUT	2	
18	54114-90J01	WASHER, LOWER MOUNT NUT (12.5X22X3)	2	

FIG.342

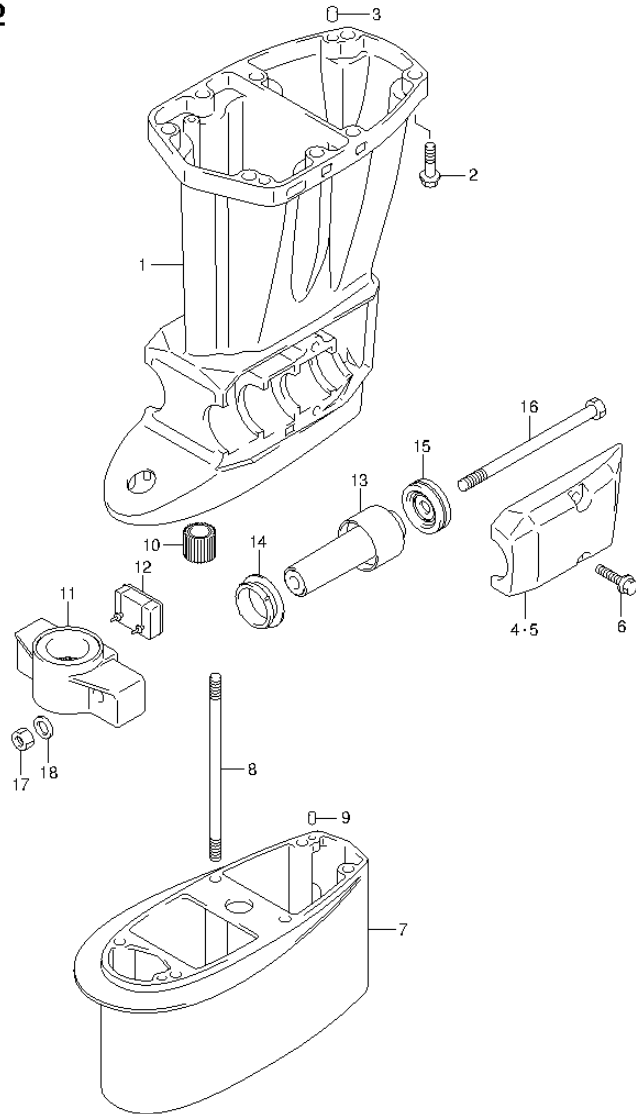


FIG.342 (3-G-3) DRIVE SHAFT HOUSING (DF60AQH E40)

REF NO.	PART NO.	DESCRIPTION	Q'TY	REMARKS
1	52111-88L10-0EP	HOUSING, DRIVE SHAFT (L) (BLACK)	1	
2	09116-10176	BOLT (10X44)	8	
3	09202-08006	PIN (8X12)	2	
4	54221-88L01-0EP	COVER, LOWER MOUNT STBD (BLACK)	1	
5	54231-88L01-0EP	COVER, LOWER MOUNT PORT (BLACK)	1	
6	09116-10176	BOLT (10X44)	4	
7	52131-88L00-0EP	CASE, EXTENSION (BLACK)	1	W/TRANSOM(X)
8	09108-08254	STUD BOLT	6	W/TRANSOM(X)
9	09202-06023	PIN (6X10)	2	W/TRANSOM(X)
10	57130-94301	BUSH, DRIVE SHAFT	1	W/TRANSOM(X)
11	54211-87J10-0EP	BRACKET, LOWER MOUNT (BLACK)	1	
12	54151-88L00	MOUNT, LOWER THRUST	1	
13	54160-88L10	MOUNT, LOWER	2	
14	54167-87L01	MOUNT, LOWER SIDE	2	
15	54180-88L00	DAMPER, FWD STOPPER	2	
16	54166-95J02	BOLT, LOWER MOUNT	2	
17	09159-12014	NUT	2	
18	54114-90J01	WASHER, LOWER MOUNT NUT (12.5X22X3)	2	

FIG.343

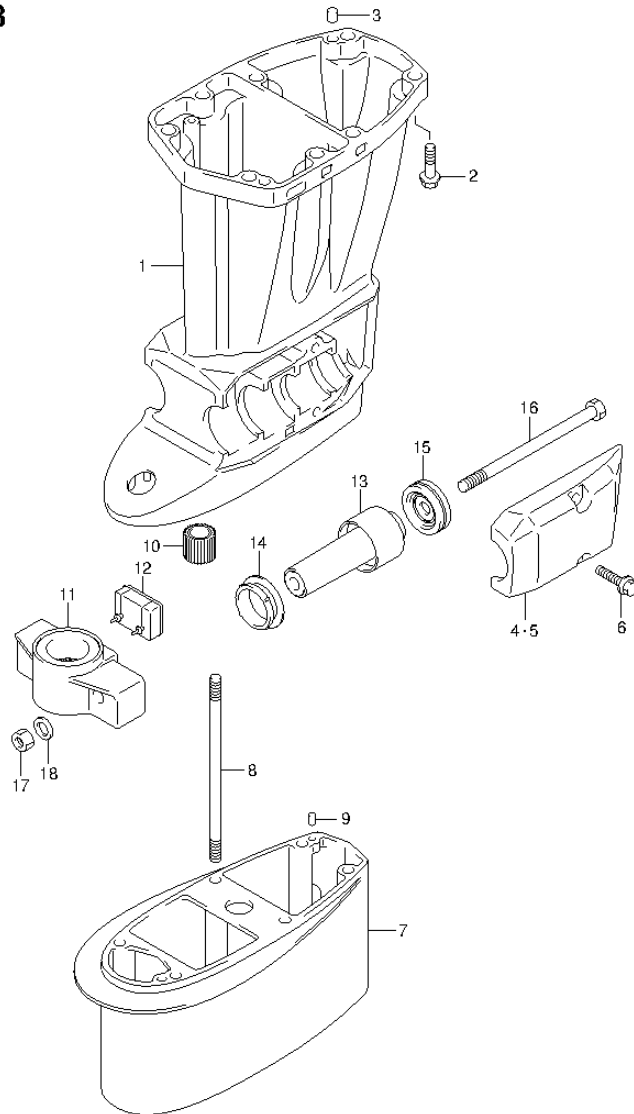


FIG.343 (3-G-4) DRIVE SHAFT HOUSING (DF60ATH E01)

REF NO.	PART NO.	DESCRIPTION	Q'TY	REMARKS
1	52111-88L10-0EP	HOUSING, DRIVE SHAFT (L) (BLACK)	1	
2	09116-10176	BOLT (10X44)	8	
3	09202-08006	PIN (8X12)	2	
4	54221-88L01-0EP	COVER, LOWER MOUNT STBD (BLACK)	1	
5	54231-88L01-0EP	COVER, LOWER MOUNT PORT (BLACK)	1	
6	09116-10176	BOLT (10X44)	4	
7	52131-88L00-0EP	CASE, EXTENSION (BLACK)	1	W/TRANSOM(X)
8	09108-08254	STUD BOLT	6	W/TRANSOM(X)
9	09202-06023	PIN (6X10)	2	W/TRANSOM(X)
10	57130-94301	BUSH, DRIVE SHAFT	1	W/TRANSOM(X)
11	54211-87J10-0EP	BRACKET, LOWER MOUNT (BLACK)	1	
12	54151-88L00	MOUNT, LOWER THRUST	1	
13	54160-88L10	MOUNT, LOWER	2	
14	54167-87L01	MOUNT, LOWER SIDE	2	
15	54180-88L00	DAMPER, FWD STOPPER	2	
16	54166-95J02	BOLT, LOWER MOUNT	2	
17	09159-12014	NUT	2	
18	54114-90J01	WASHER, LOWER MOUNT NUT (12.5X22X3)	2	

FIG.344

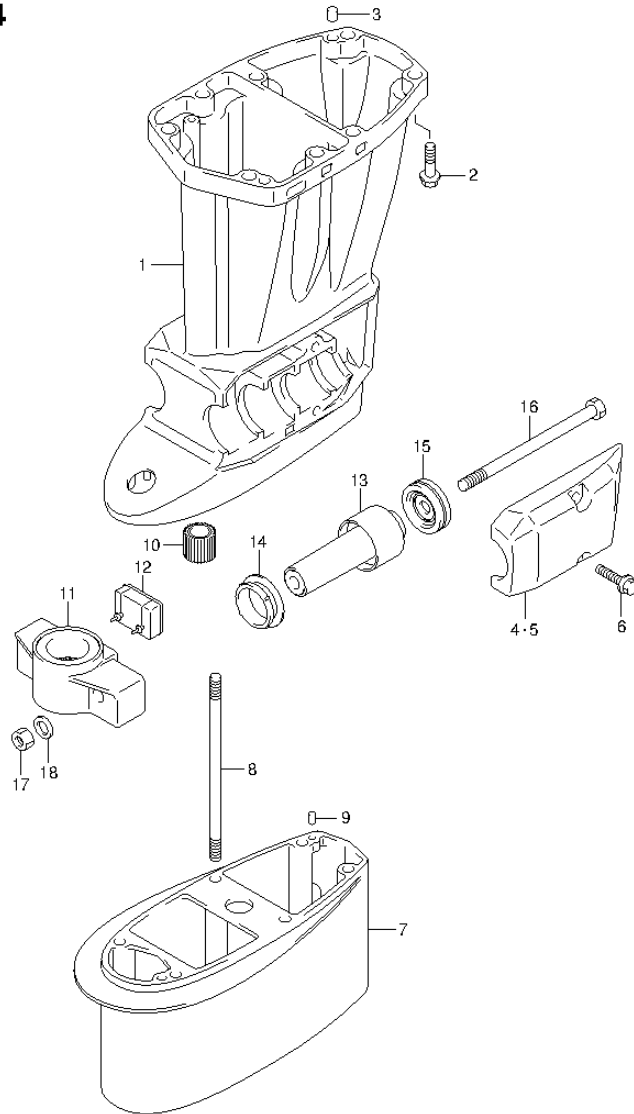


FIG.344 (3-G-5) DRIVE SHAFT HOUSING (DF60ATH E40)

REF NO.	PART NO.	DESCRIPTION	Q'TY	REMARKS
1	52111-88L10-0EP	HOUSING, DRIVE SHAFT (L) (BLACK)	1	
2	09116-10176	BOLT (10X44)	8	
3	09202-08006	PIN (8X12)	2	
4	54221-88L01-0EP	COVER, LOWER MOUNT STBD (BLACK)	1	
5	54231-88L01-0EP	COVER, LOWER MOUNT PORT (BLACK)	1	
6	09116-10176	BOLT (10X44)	4	
7	52131-88L00-0EP	CASE, EXTENSION (BLACK)	1	W/TRANSOM(X)
8	09108-08254	STUD BOLT	6	W/TRANSOM(X)
9	09202-06023	PIN (6X10)	2	W/TRANSOM(X)
10	57130-94301	BUSH, DRIVE SHAFT	1	W/TRANSOM(X)
11	54211-87J10-0EP	BRACKET, LOWER MOUNT (BLACK)	1	
12	54151-88L00	MOUNT, LOWER THRUST	1	
13	54160-88L10	MOUNT, LOWER	2	
14	54167-87L01	MOUNT, LOWER SIDE	2	
15	54180-88L00	DAMPER, FWD STOPPER	2	
16	54166-95J02	BOLT, LOWER MOUNT	2	
17	09159-12014	NUT	2	
18	54114-90J01	WASHER, LOWER MOUNT NUT (12.5X22X3)	2	

FIG.345

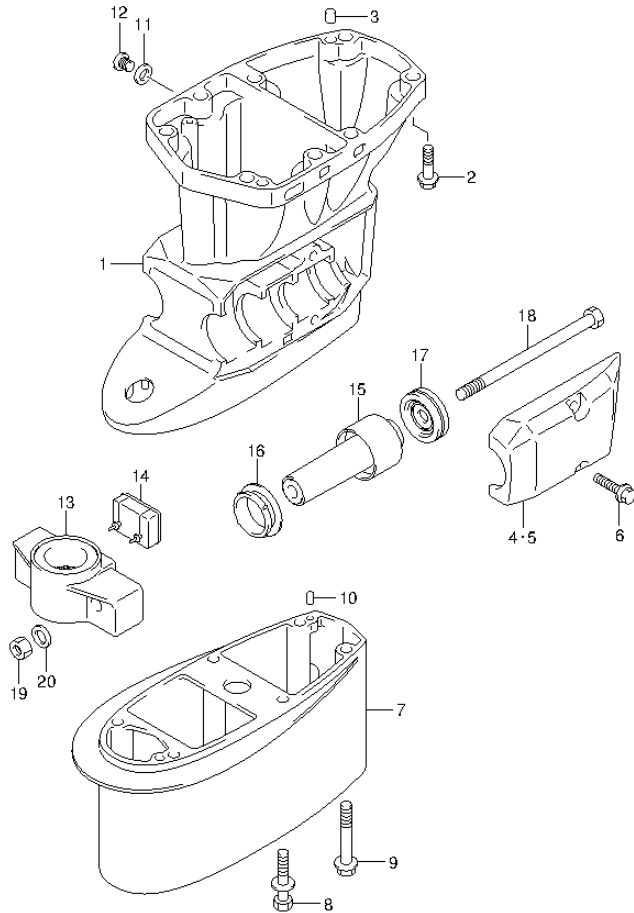


FIG.345 (3-G-6) DRIVE SHAFT HOUSING (DF50AVT E01)

REF NO.	PART NO.	DESCRIPTION	Q'TY	REMARKS
1	52111-88L20-0EP	HOUSING, DRIVE SHAFT (S) (BLACK)	1	
2	09116-10176	BOLT (10X44)	8	
3	09202-08006	PIN (8X12)	2	
4	54221-88L01-0EP	COVER, LOWER MOUNT STBD (BLACK)	1	
5	54231-88L01-0EP	COVER, LOWER MOUNT PORT (BLACK)	1	
6	09116-10176	BOLT (10X44)	4	
7	52131-88L10-0EP	CASE, EXTENSION (BLACK)	1	
8	09116-08131	BOLT (8X45)	4	
9	09116-10150	BOLT (10X55)	2	
10	09202-06031	PIN (6X12)	2	
11	55321-87J00	ANODE, PROTECTION	1	
12	09103-06281	BOLT (6X14)	1	
13	54211-87J30-0EP	BRACKET, LOWER MOUNT (BLACK)	1	
14	54151-88L00	MOUNT, LOWER THRUST	1	
15	54160-88L10	MOUNT, LOWER	2	
16	54167-87L01	MOUNT, LOWER SIDE	2	
17	54180-88L00	DAMPER, FWD STOPPER	2	
18	54166-95J02	BOLT, LOWER MOUNT	2	
19	09159-12014	NUT	2	
20	54114-90J01	WASHER, LOWER MOUNT NUT (12.5X22X3)	2	

FIG.346

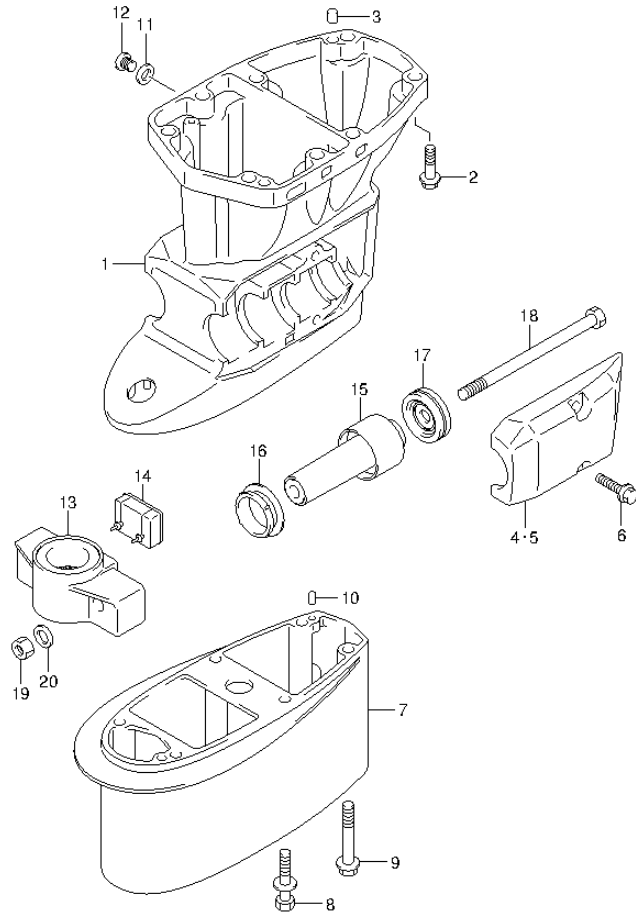


FIG.346 (3-G-7) DRIVE SHAFT HOUSING (DF50AVTH E01)

REF NO.	PART NO.	DESCRIPTION	Q'TY	REMARKS
1	52111-88L20-0EP	HOUSING, DRIVE SHAFT (S) (BLACK)	1	
2	09116-10176	BOLT (10X44)	8	
3	09202-08006	PIN (8X12)	2	
4	54221-88L01-0EP	COVER, LOWER MOUNT STBD (BLACK)	1	
5	54231-88L01-0EP	COVER, LOWER MOUNT PORT (BLACK)	1	
6	09116-10176	BOLT (10X44)	4	
7	52131-88L10-0EP	CASE, EXTENSION (BLACK)	1	
8	09116-08131	BOLT (8X45)	4	
9	09116-10150	BOLT (10X55)	2	
10	09202-06031	PIN (6X12)	2	
11	55321-87J00	ANODE, PROTECTION	1	
12	09103-06281	BOLT (6X14)	1	
13	54211-87J30-0EP	BRACKET, LOWER MOUNT (BLACK)	1	
14	54151-88L00	MOUNT, LOWER THRUST	1	
15	54160-88L10	MOUNT, LOWER	2	
16	54167-87L01	MOUNT, LOWER SIDE	2	
17	54180-88L00	DAMPER, FWD STOPPER	2	
18	54166-95J02	BOLT, LOWER MOUNT	2	
19	09159-12014	NUT	2	
20	54114-90J01	WASHER, LOWER MOUNT NUT (12.5X22X3)	2	

FIG.347

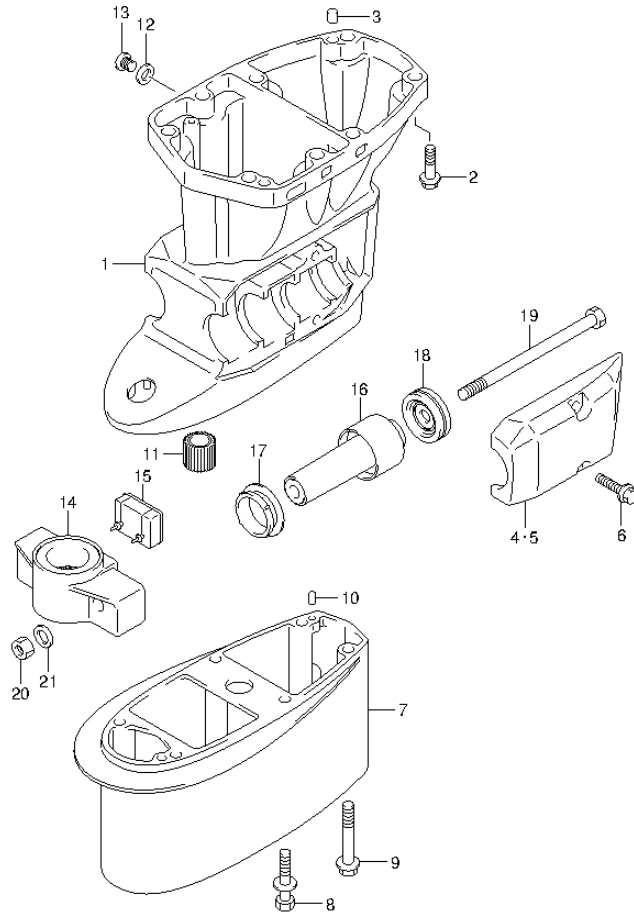


FIG.347 (3-G-8) DRIVE SHAFT HOUSING (DF60AVT E01)

REF NO.	PART NO.	DESCRIPTION	Q'TY	REMARKS
1-1	52111-88L20-0EP	HOUSING, DRIVE SHAFT (S) (BLACK)	1	W/TRANSOM(L)
1-2	52111-88L30-0EP	HOUSING, DRIVE SHAFT (L)	1	W/TRANSOM(X)
2	09116-10176	BOLT (10X44)	8	
3	09202-08006	PIN (8X12)	2	
4	54221-88L01-0EP	COVER, LOWER MOUNT STBD (BLACK)	1	
5	54231-88L01-0EP	COVER, LOWER MOUNT PORT (BLACK)	1	
6	09116-10176	BOLT (10X44)	4	
7	52131-88L10-0EP	CASE, EXTENSION (BLACK)	1	
8	09116-08131	BOLT (8X45)	4	
9	09116-10150	BOLT (10X55)	2	
10	09202-06031	PIN (6X12)	2	
11	57130-94301	BUSH, DRIVE SHAFT	1	W/TRANSOM(X)
12	55321-87J00	ANODE, PROTECTION	1	
13	09103-06281	BOLT (6X14)	1	
14	54211-87J30-0EP	BRACKET, LOWER MOUNT (BLACK)	1	
15	54151-88L00	MOUNT, LOWER THRUST	1	
16	54160-88L10	MOUNT, LOWER	2	
17	54167-87L01	MOUNT, LOWER SIDE	2	
18	54180-88L00	DAMPER, FWD STOPPER	2	
19	54166-95J02	BOLT, LOWER MOUNT	2	
20	09159-12014	NUT	2	
21	54114-90J01	WASHER, LOWER MOUNT NUT (12.5X22X3)	2	

FIG.349

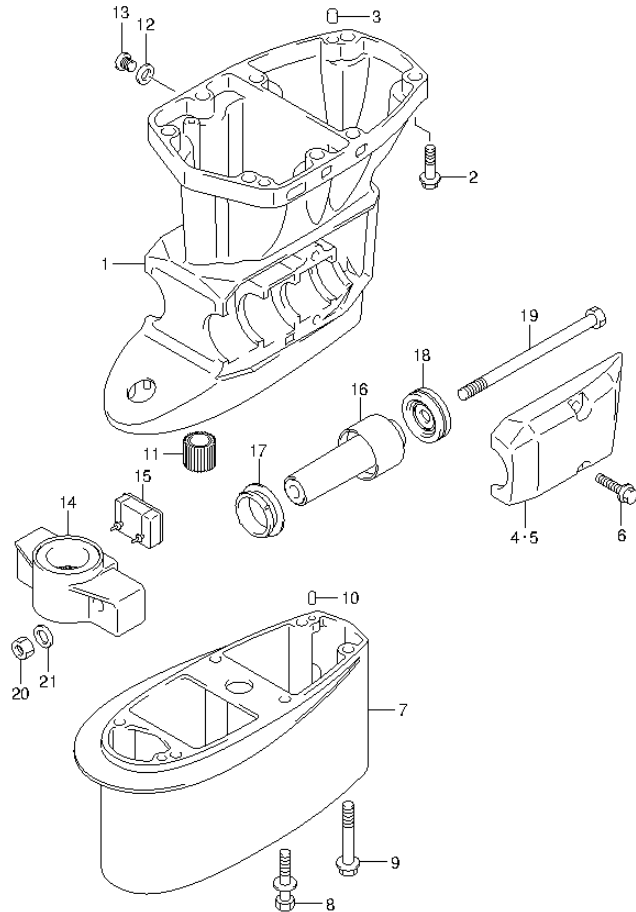


FIG.349 (3-G-10) DRIVE SHAFT HOUSING (DF60AVTH E01)

REF NO.	PART NO.	DESCRIPTION	Q'TY	REMARKS
1-1	52111-88L20-0EP	HOUSING, DRIVE SHAFT (S) (BLACK)	1	W/TRANSOM(L)
1-2	52111-88L30-0EP	HOUSING, DRIVE SHAFT (L)	1	W/TRANSOM(X)
2	09116-10176	BOLT (10X44)	8	
3	09202-08006	PIN (8X12)	2	
4	54221-88L01-0EP	COVER, LOWER MOUNT STBD (BLACK)	1	
5	54231-88L01-0EP	COVER, LOWER MOUNT PORT (BLACK)	1	
6	09116-10176	BOLT (10X44)	4	
7	52131-88L10-0EP	CASE, EXTENSION (BLACK)	1	
8	09116-08131	BOLT (8X45)	4	
9	09116-10150	BOLT (10X55)	2	
10	09202-06031	PIN (6X12)	2	
11	57130-94301	BUSH, DRIVE SHAFT	1	W/TRANSOM(X)
12	55321-87J00	ANODE, PROTECTION	1	
13	09103-06281	BOLT (6X14)	1	
14	54211-87J30-0EP	BRACKET, LOWER MOUNT (BLACK)	1	
15	54151-88L00	MOUNT, LOWER THRUST	1	
16	54160-88L10	MOUNT, LOWER	2	
17	54167-87L01	MOUNT, LOWER SIDE	2	
18	54180-88L00	DAMPER, FWD STOPPER	2	
19	54166-95J02	BOLT, LOWER MOUNT	2	
20	09159-12014	NUT	2	
21	54114-90J01	WASHER, LOWER MOUNT NUT (12.5X22X3)	2	

FIG.350

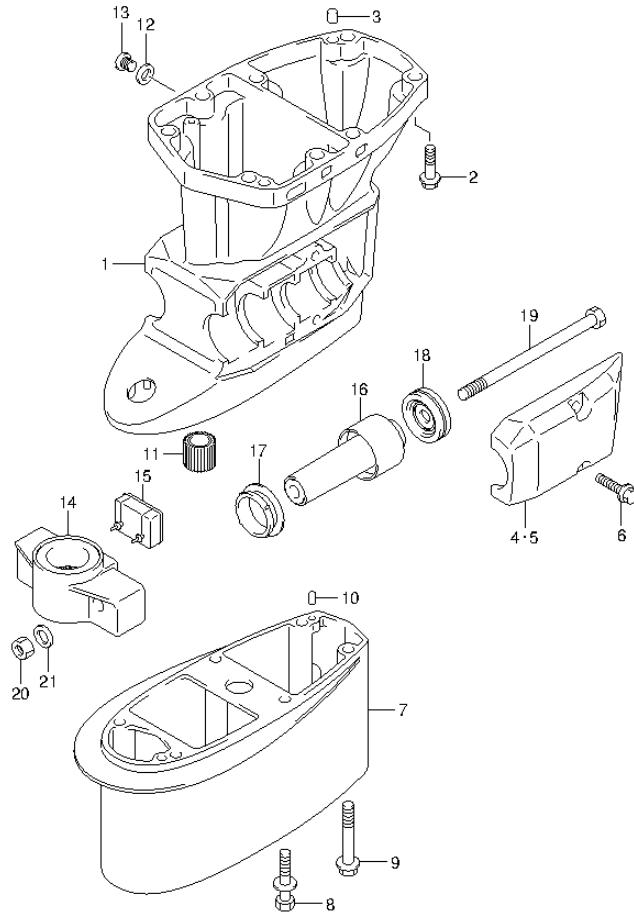


FIG.350 (3-G-11) DRIVE SHAFT HOUSING (DF60AVTH E40)

REF NO.	PART NO.	DESCRIPTION	Q'TY	REMARKS
1-1	52111-88L20-0EP	HOUSING, DRIVE SHAFT (S) (BLACK)	1	W/TRANSOM(L)
1-2	52111-88L30-0EP	HOUSING, DRIVE SHAFT (L)	1	W/TRANSOM(X)
2	09116-10176	BOLT (10X44)	8	
3	09202-08006	PIN (8X12)	2	
4	54221-88L01-0EP	COVER, LOWER MOUNT STBD (BLACK)	1	
5	54231-88L01-0EP	COVER, LOWER MOUNT PORT (BLACK)	1	
6	09116-10176	BOLT (10X44)	4	
7	52131-88L10-0EP	CASE, EXTENSION (BLACK)	1	
8	09116-08131	BOLT (8X45)	4	
9	09116-10150	BOLT (10X55)	2	
10	09202-06031	PIN (6X12)	2	
11	57130-94301	BUSH, DRIVE SHAFT	1	W/TRANSOM(X)
12	55321-87J00	ANODE, PROTECTION	1	
13	09103-06281	BOLT (6X14)	1	
14	54211-87J30-0EP	BRACKET, LOWER MOUNT (BLACK)	1	
15	54151-88L00	MOUNT, LOWER THRUST	1	
16	54160-88L10	MOUNT, LOWER	2	
17	54167-87L01	MOUNT, LOWER SIDE	2	
18	54180-88L00	DAMPER, FWD STOPPER	2	
19	54166-95J02	BOLT, LOWER MOUNT	2	
20	09159-12014	NUT	2	
21	54114-90J01	WASHER, LOWER MOUNT NUT (12.5X22X3)	2	

FIG.351

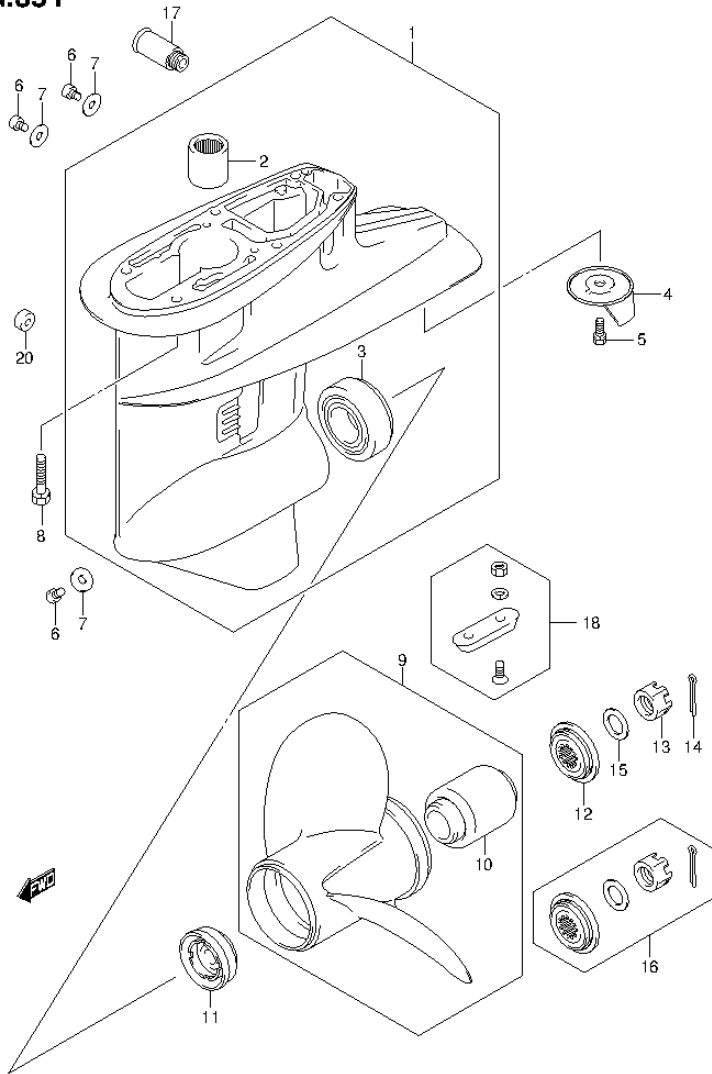


FIG.351 (3-G-12) GEAR CASE (DF40A E01)

REF NO.	PART NO.	DESCRIPTION	Q'TY	REMARKS
1	55100-87J50-0EP	CASE ASSY, GEAR (BLACK)	1	
2	09263-22039	.BEARING (22X30X30)	1	
3	09265-30004	.BEARING (30X62X17.25)	1	
4	55125-95500	TAB, TRIM	1	
5	09117-08109	BOLT (8X16)	1	
6	09248-10008	PLUG (10X7.5)	3	
7	09168-10022	GASKET (10X17X1.5)	3	
8	09116-08131	BOLT (8X45)	6	
9-1	58100-88L03-019	PROPELLER (3X11-1/2X9) (BLACK)	1	
9-2	58100-88L13-019	PROPELLER (3X11-1/2X10) (BLACK)	1	
9-3	58100-88L23-019	PROPELLER (3X11-1/2X11) (BLACK)	1	
9-4	58100-88LA0-019	PROPELLER (3X11-5/8X12) (BLACK)	1	
9-5	58100-88LB0-019	PROPELLER (3X11-1/2X13) (BLACK)	1	
9-6	58100-88L52-019	PROPELLER (3X11-3/8X14) (BLACK)	1	
9-7	58100-88L62-019	PROPELLER (3X11-1/4X15) (BLACK)	1	
9-8	58100-88L72-019	PROPELLER (3X11-1/8X16) (BLACK)	1	
9-9	58100-88L83-019	PROPELLER (3X11X17) (BLACK)	1	
9-10	58200-88L00	PROPELLER	1	OPT
9-11	58200-88L10	PROPELLER	1	OPT
9-12	58200-88L30	PROPELLER	1	OPT
10	58120-88L01	.BUSH, PROPELLER	1	
11	57632-95320	STOPPER, PROPELLER BUSH	1	
12	57633-94300	SPACER, PROPELLER NUT	1	
13	09141-18005	NUT	1	
14	09204-03003	COTTER PIN (D:3.6,L:25)	1	
15	09160-18028	WASHER (18.5X31X1)	1	

FIG.351

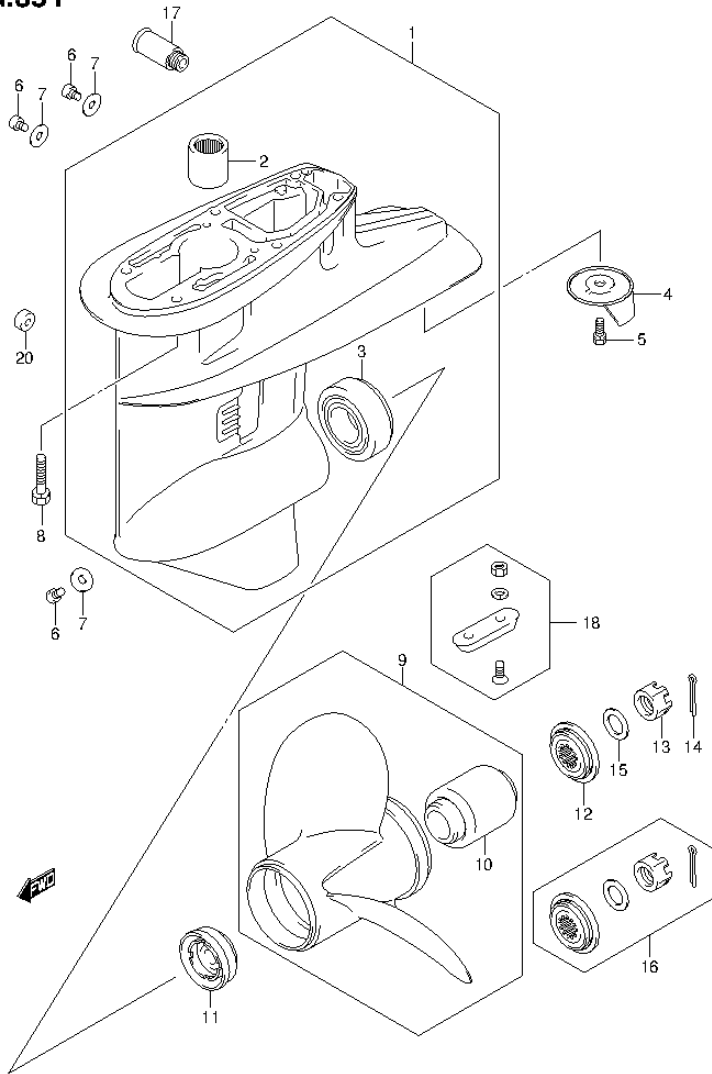


FIG.351 (3-G-13) GEAR CASE (DF40A E01)

REF NO.	PART NO.	DESCRIPTION	Q'TY	REMARKS
16	57630-94300	KIT, PROPELLER NUT	1	OPT
17	55181-95200	ATTACHMENT, FLUSH HOSE	1	OPT
18	55300-95500	ZINK ASSY, PROTECTION	1	OPT
19	25700-88L00	SEALING KIT, GEAR CASE	1	OPT
20	55321-87J10	ANODE(MAGNESIUM)	1	NOT ILLUSTRATED OPT

FIG.352

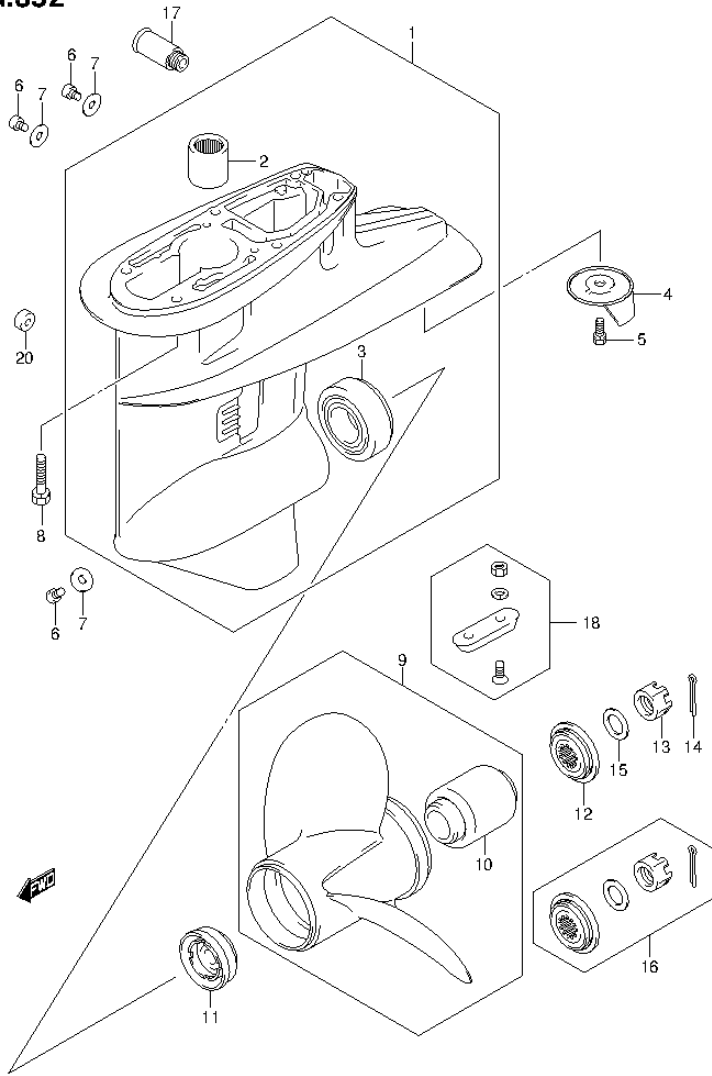


FIG.352 (3-G-14) GEAR CASE (DF40AQH E01)

REF NO.	PART NO.	DESCRIPTION	Q'TY	REMARKS
1	55100-87J50-0EP	CASE ASSY, GEAR (BLACK)	1	
2	09263-22039	.BEARING (22X30X30)	1	
3	09265-30004	.BEARING (30X62X17.25)	1	
4	55125-95500	TAB, TRIM	1	
5	09117-08109	BOLT (8X16)	1	
6	09248-10008	PLUG (10X7.5)	3	
7	09168-10022	GASKET (10X17X1.5)	3	
8	09116-08131	BOLT (8X45)	6	
9-1	58100-88L03-019	PROPELLER (3X11-1/2X9) (BLACK)	1	
9-2	58100-88L13-019	PROPELLER (3X11-1/2X10) (BLACK)	1	
9-3	58100-88L23-019	PROPELLER (3X11-1/2X11) (BLACK)	1	
9-4	58100-88LA0-019	PROPELLER (3X11-5/8X12) (BLACK)	1	
9-5	58100-88LB0-019	PROPELLER (3X11-1/2X13) (BLACK)	1	
9-6	58100-88L52-019	PROPELLER (3X11-3/8X14) (BLACK)	1	
9-7	58100-88L62-019	PROPELLER (3X11-1/4X15) (BLACK)	1	
9-8	58100-88L72-019	PROPELLER (3X11-1/8X16) (BLACK)	1	
9-9	58100-88L83-019	PROPELLER (3X11X17) (BLACK)	1	
9-10	58200-88L00	PROPELLER	1	OPT
9-11	58200-88L10	PROPELLER	1	OPT
9-12	58200-88L30	PROPELLER	1	OPT
10	58120-88L01	.BUSH, PROPELLER	1	
11	57632-95320	STOPPER, PROPELLER BUSH	1	
12	57633-94300	SPACER, PROPELLER NUT	1	
13	09141-18005	NUT	1	
14	09204-03003	COTTER PIN (D:3.6,L:25)	1	
15	09160-18028	WASHER (18.5X31X1)	1	

FIG.352

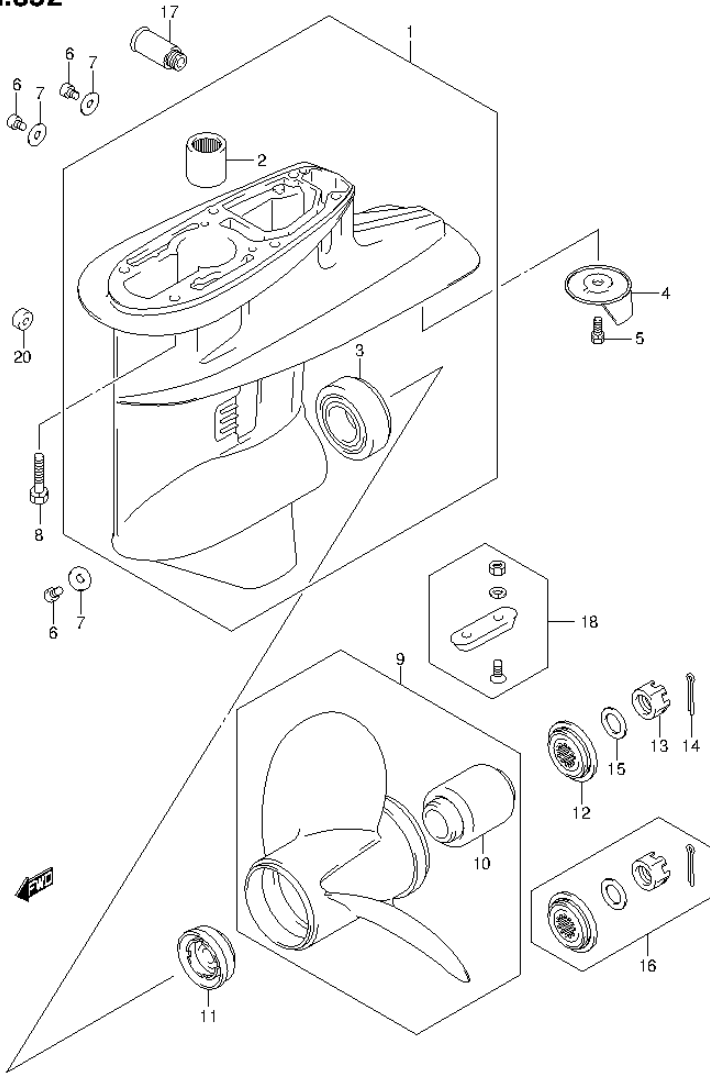


FIG.352 (3-G-15) GEAR CASE (DF40AQH E01)

REF NO.	PART NO.	DESCRIPTION	Q'TY	REMARKS
16	57630-94300	KIT, PROPELLER NUT	1	OPT
17	55181-95200	ATTACHMENT, FLUSH HOSE	1	OPT
18	55300-95500	ZINK ASSY, PROTECTION	1	OPT
19	25700-88L00	SEALING KIT, GEAR CASE	1	OPT
20	55321-87J10	ANODE(MAGNESIUM)	1	NOT ILLUSTRATED OPT

FIG.353

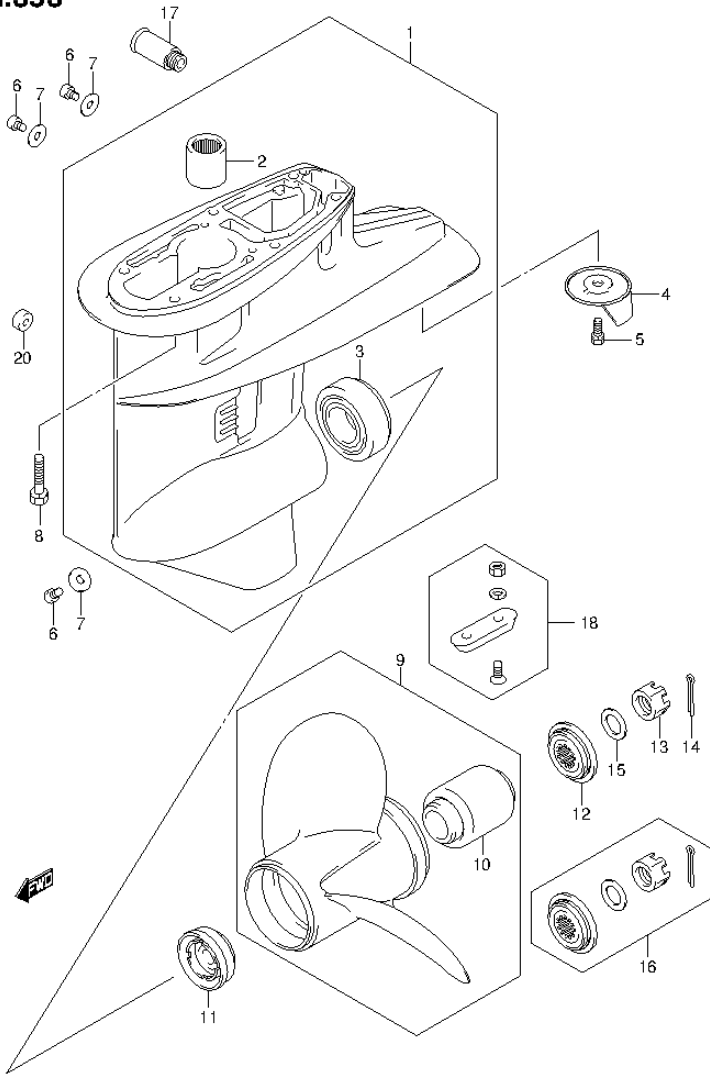


FIG.353 (3-H-2) GEAR CASE (DF40ATH E01)

REF NO.	PART NO.	DESCRIPTION	Q'TY	REMARKS
1	55100-87J50-0EP	CASE ASSY, GEAR (BLACK)	1	
2	09263-22039	.BEARING (22X30X30)	1	
3	09265-30004	.BEARING (30X62X17.25)	1	
4	55125-95500	TAB, TRIM	1	
5	09117-08109	BOLT (8X16)	1	
6	09248-10008	PLUG (10X7.5)	3	
7	09168-10022	GASKET (10X17X1.5)	3	
8	09116-08131	BOLT (8X45)	6	
9-1	58100-88L03-019	PROPELLER (3X11-1/2X9) (BLACK)	1	
9-2	58100-88L13-019	PROPELLER (3X11-1/2X10) (BLACK)	1	
9-3	58100-88L23-019	PROPELLER (3X11-1/2X11) (BLACK)	1	
9-4	58100-88LA0-019	PROPELLER (3X11-5/8X12) (BLACK)	1	
9-5	58100-88LB0-019	PROPELLER (3X11-1/2X13) (BLACK)	1	
9-6	58100-88L52-019	PROPELLER (3X11-3/8X14) (BLACK)	1	
9-7	58100-88L62-019	PROPELLER (3X11-1/4X15) (BLACK)	1	
9-8	58100-88L72-019	PROPELLER (3X11-1/8X16) (BLACK)	1	
9-9	58100-88L83-019	PROPELLER (3X11X17) (BLACK)	1	
9-10	58200-88L00	PROPELLER	1	OPT
9-11	58200-88L10	PROPELLER	1	OPT
9-12	58200-88L30	PROPELLER	1	OPT
10	58120-88L01	.BUSH, PROPELLER	1	
11	57632-95320	STOPPER, PROPELLER BUSH	1	
12	57633-94300	SPACER, PROPELLER NUT	1	
13	09141-18005	NUT	1	
14	09204-03003	COTTER PIN (D:3.6,L:25)	1	
15	09160-18028	WASHER (18.5X31X1)	1	

FIG.354

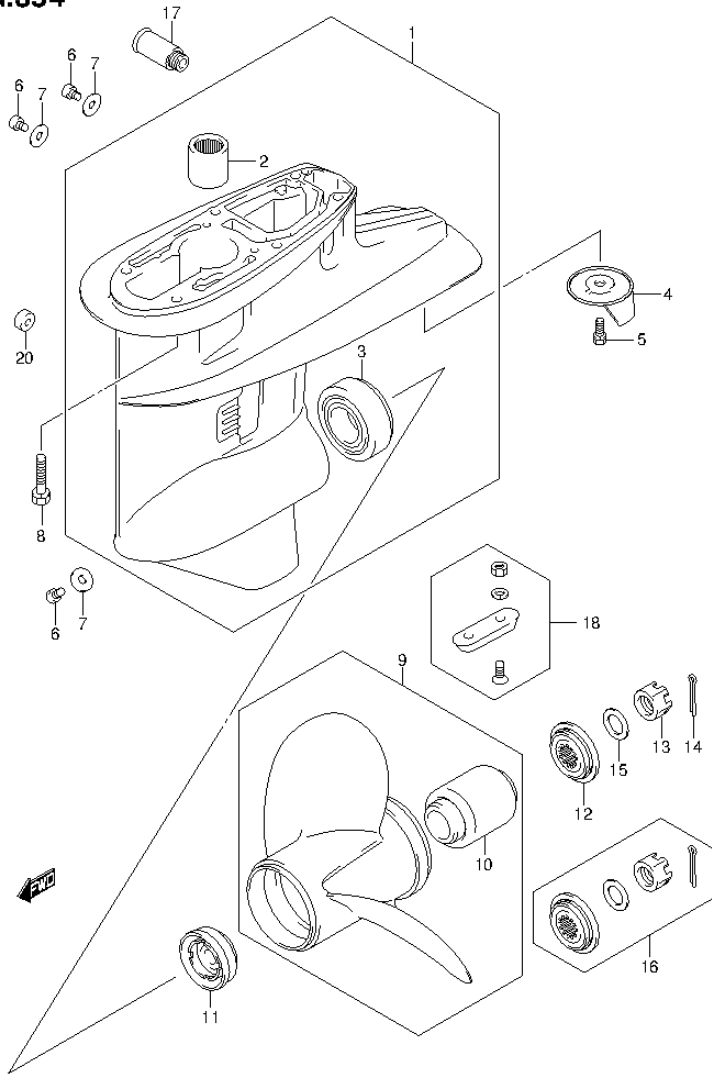


FIG.354 (3-H-4) GEAR CASE (DF40AST E34)

REF NO.	PART NO.	DESCRIPTION	Q'TY	REMARKS
1	55100-87J50-0EP	CASE ASSY, GEAR (BLACK)	1	
2	09263-22039	.BEARING (22X30X30)	1	
3	09265-30004	.BEARING (30X62X17.25)	1	
4	55125-95500	TAB, TRIM	1	
5	09117-08109	BOLT (8X16)	1	
6	09248-10008	PLUG (10X7.5)	3	
7	09168-10022	GASKET (10X17X1.5)	3	
8	09116-08131	BOLT (8X45)	6	
9-1	58100-88L03-019	PROPELLER (3X11-1/2X9) (BLACK)	1	
9-2	58100-88L13-019	PROPELLER (3X11-1/2X10) (BLACK)	1	
9-3	58100-88L23-019	PROPELLER (3X11-1/2X11) (BLACK)	1	
9-4	58100-88LA0-019	PROPELLER (3X11-5/8X12) (BLACK)	1	
9-5	58100-88LB0-019	PROPELLER (3X11-1/2X13) (BLACK)	1	
9-6	58100-88L52-019	PROPELLER (3X11-3/8X14) (BLACK)	1	
9-7	58100-88L62-019	PROPELLER (3X11-1/4X15) (BLACK)	1	
9-8	58100-88L72-019	PROPELLER (3X11-1/8X16) (BLACK)	1	
9-9	58100-88L83-019	PROPELLER (3X11X17) (BLACK)	1	
9-10	58200-88L00	PROPELLER	1	OPT
9-11	58200-88L10	PROPELLER	1	OPT
9-12	58200-88L30	PROPELLER	1	OPT
10	58120-88L01	.BUSH, PROPELLER	1	
11	57632-95320	STOPPER, PROPELLER BUSH	1	
12	57633-94300	SPACER, PROPELLER NUT	1	
13	09141-18005	NUT	1	
14	09204-03003	COTTER PIN (D:3.6,L:25)	1	
15	09160-18028	WASHER (18.5X31X1)	1	

FIG.354

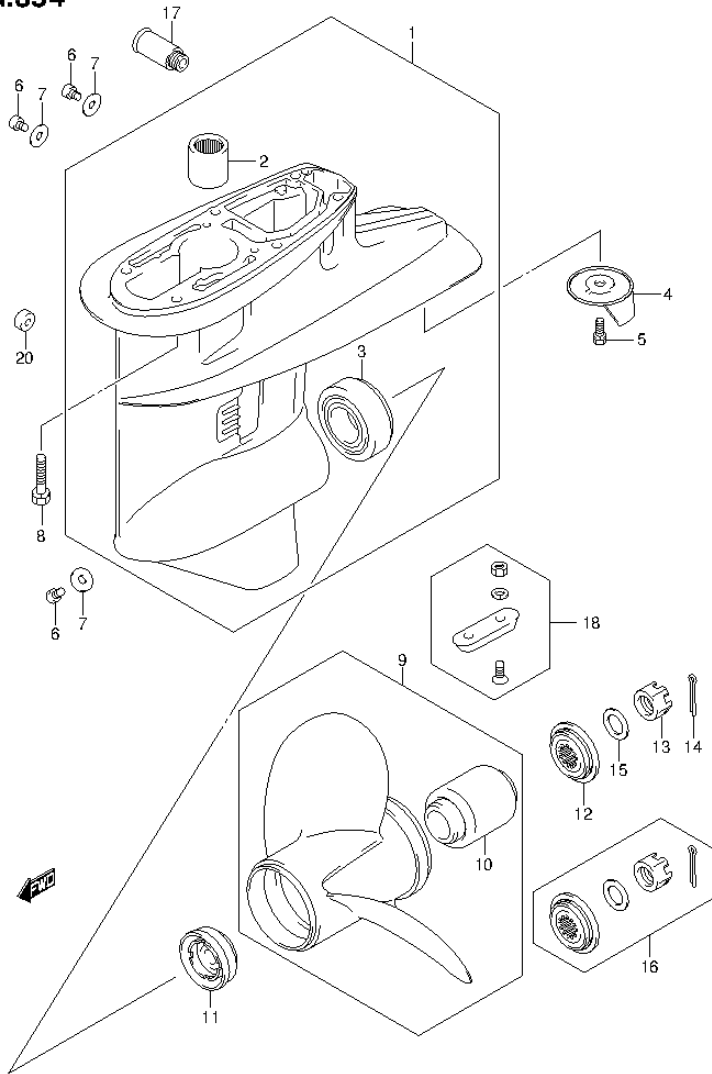


FIG.354 (3-H-5) GEAR CASE (DF40AST E34)

REF NO.	PART NO.	DESCRIPTION	Q'TY	REMARKS
16	57630-94300	KIT, PROPELLER NUT	1	OPT
17	55181-95200	ATTACHMENT, FLUSH HOSE	1	OPT
18	55300-95500	ZINK ASSY, PROTECTION	1	OPT
19	25700-88L00	SEALING KIT, GEAR CASE	1	OPT
20	55321-87J10	ANODE(MAGNESIUM)	1	NOT ILLUSTRATED OPT

FIG.355

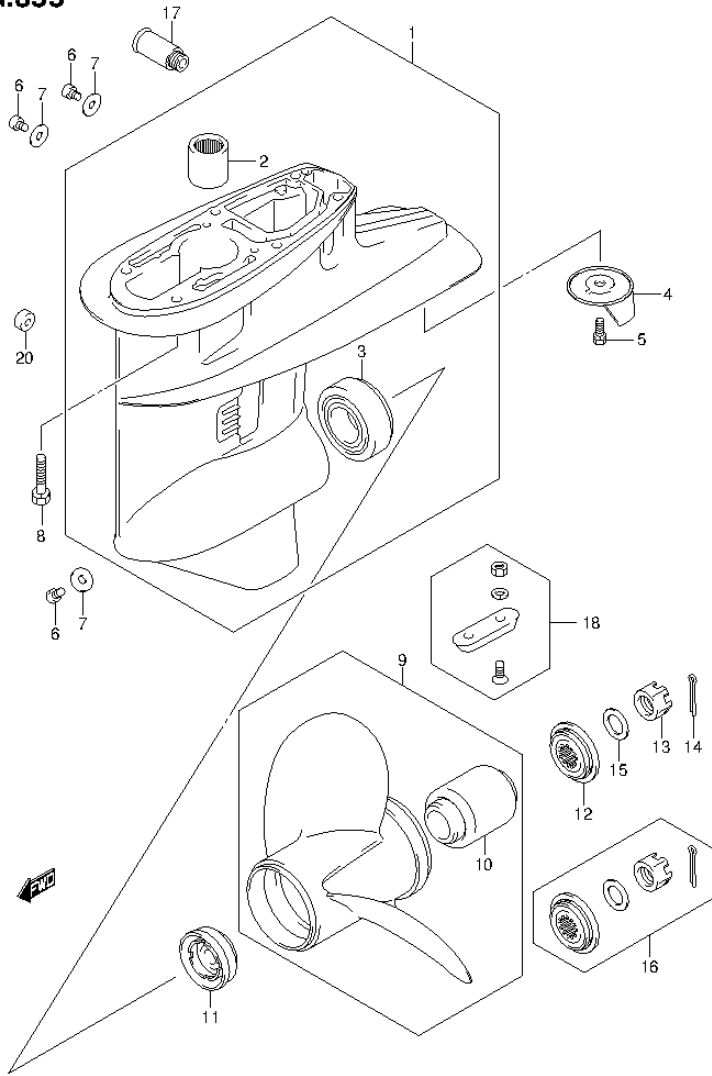


FIG.355 (3-H-6) GEAR CASE (DF50A E01)

REF NO.	PART NO.	DESCRIPTION	Q'TY	REMARKS
1	55100-87J50-0EP	CASE ASSY, GEAR (BLACK)	1	
2	09263-22039	.BEARING (22X30X30)	1	
3	09265-30004	.BEARING (30X62X17.25)	1	
4	55125-95500	TAB, TRIM	1	
5	09117-08109	BOLT (8X16)	1	
6	09248-10008	PLUG (10X7.5)	3	
7	09168-10022	GASKET (10X17X1.5)	3	
8	09116-08131	BOLT (8X45)	6	
9-1	58100-88L03-019	PROPELLER (3X11-1/2X9) (BLACK)	1	
9-2	58100-88L13-019	PROPELLER (3X11-1/2X10) (BLACK)	1	
9-3	58100-88L23-019	PROPELLER (3X11-1/2X11) (BLACK)	1	
9-4	58100-88LA0-019	PROPELLER (3X11-5/8X12) (BLACK)	1	
9-5	58100-88LB0-019	PROPELLER (3X11-1/2X13) (BLACK)	1	
9-6	58100-88L52-019	PROPELLER (3X11-3/8X14) (BLACK)	1	
9-7	58100-88L62-019	PROPELLER (3X11-1/4X15) (BLACK)	1	
9-8	58100-88L72-019	PROPELLER (3X11-1/8X16) (BLACK)	1	
9-9	58100-88L83-019	PROPELLER (3X11X17) (BLACK)	1	
9-10	58200-88L00	PROPELLER	1	OPT
9-11	58200-88L10	PROPELLER	1	OPT
9-12	58200-88L30	PROPELLER	1	OPT
10	58120-88L01	.BUSH, PROPELLER	1	
11	57632-95320	STOPPER, PROPELLER BUSH	1	
12	57633-94300	SPACER, PROPELLER NUT	1	
13	09141-18005	NUT	1	
14	09204-03003	COTTER PIN (D:3.6,L:25)	1	
15	09160-18028	WASHER (18.5X31X1)	1	

FIG.355

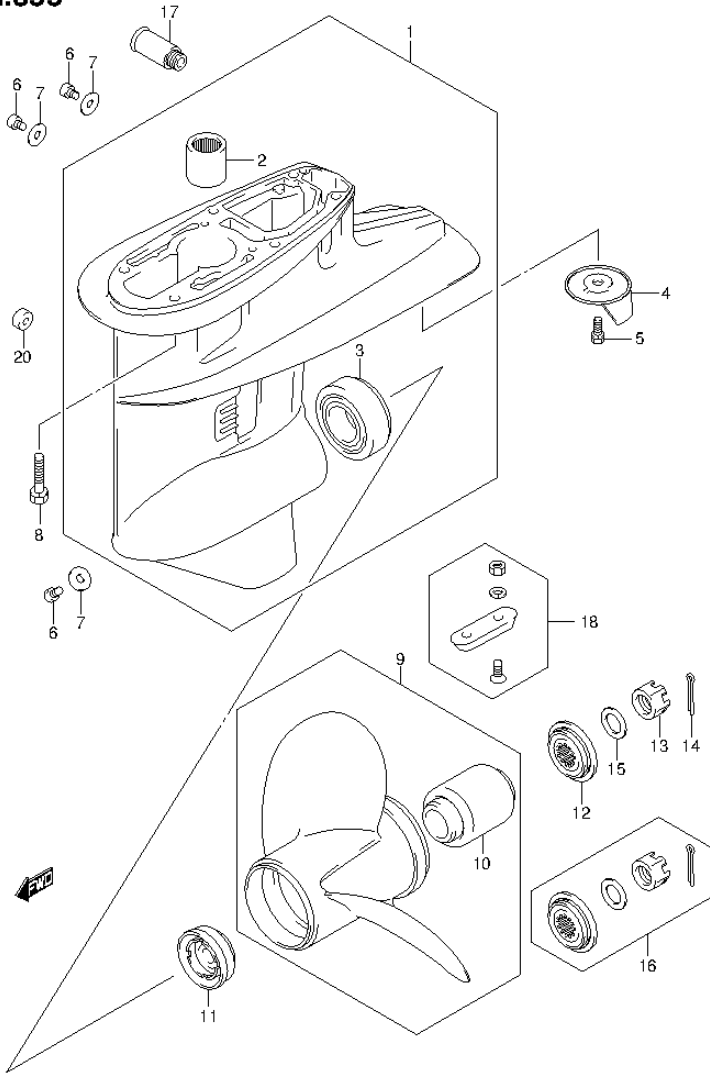


FIG.355 (3-H-7) GEAR CASE (DF50A E01)

REF NO.	PART NO.	DESCRIPTION	Q'TY	REMARKS
16	57630-94300	KIT, PROPELLER NUT	1	OPT
17	55181-95200	ATTACHMENT, FLUSH HOSE	1	OPT
18	55300-95500	ZINK ASSY, PROTECTION	1	OPT
19	25700-88L00	SEALING KIT, GEAR CASE	1	OPT
20	55321-87J10	ANODE(MAGNESIUM)	1	NOT ILLUSTRATED OPT

FIG.356

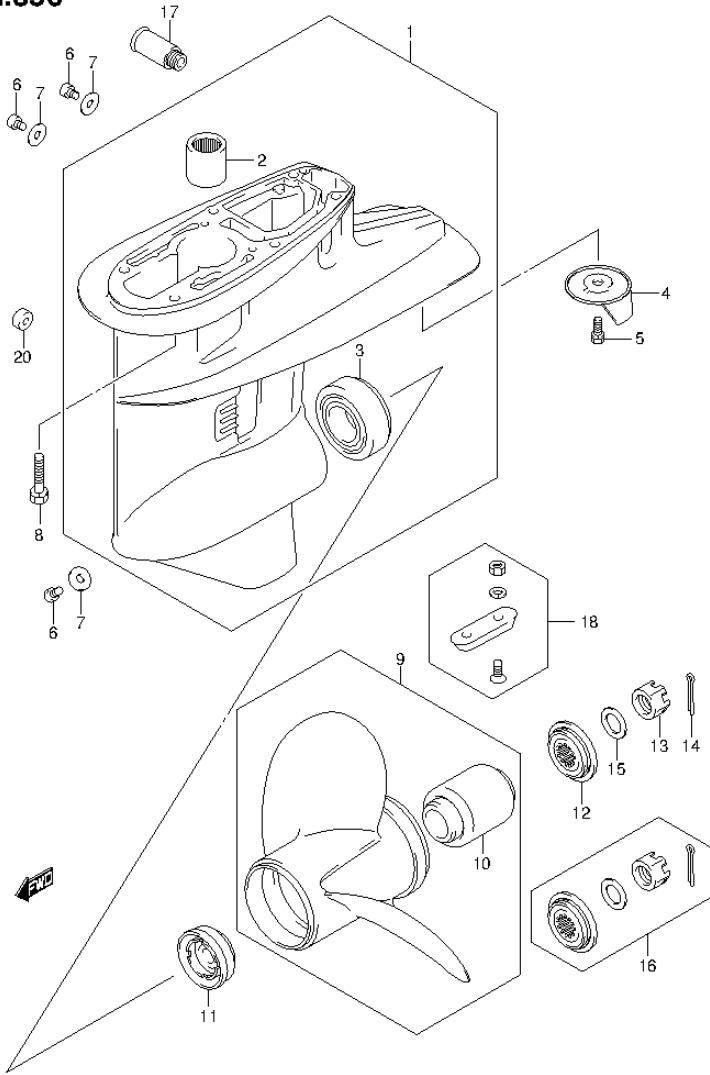


FIG.356 (3-H-8) GEAR CASE (DF50ATH E01)

REF NO.	PART NO.	DESCRIPTION	Q'TY	REMARKS
1	55100-87J50-0EP	CASE ASSY, GEAR (BLACK)	1	
2	09263-22039	.BEARING (22X30X30)	1	
3	09265-30004	.BEARING (30X62X17.25)	1	
4	55125-95500	TAB, TRIM	1	
5	09117-08109	BOLT (8X16)	1	
6	09248-10008	PLUG (10X7.5)	3	
7	09168-10022	GASKET (10X17X1.5)	3	
8	09116-08131	BOLT (8X45)	6	
9-1	58100-88L03-019	PROPELLER (3X11-1/2X9) (BLACK)	1	
9-2	58100-88L13-019	PROPELLER (3X11-1/2X10) (BLACK)	1	
9-3	58100-88L23-019	PROPELLER (3X11-1/2X11) (BLACK)	1	
9-4	58100-88LA0-019	PROPELLER (3X11-5/8X12) (BLACK)	1	
9-5	58100-88LB0-019	PROPELLER (3X11-1/2X13) (BLACK)	1	
9-6	58100-88L52-019	PROPELLER (3X11-3/8X14) (BLACK)	1	
9-7	58100-88L62-019	PROPELLER (3X11-1/4X15) (BLACK)	1	
9-8	58100-88L72-019	PROPELLER (3X11-1/8X16) (BLACK)	1	
9-9	58100-88L83-019	PROPELLER (3X11X17) (BLACK)	1	
9-10	58200-88L00	PROPELLER	1	OPT
9-11	58200-88L10	PROPELLER	1	OPT
9-12	58200-88L30	PROPELLER	1	OPT
10	58120-88L01	.BUSH, PROPELLER	1	
11	57632-95320	STOPPER, PROPELLER BUSH	1	
12	57633-94300	SPACER, PROPELLER NUT	1	
13	09141-18005	NUT	1	
14	09204-03003	COTTER PIN (D:3.6,L:25)	1	
15	09160-18028	WASHER (18.5X31X1)	1	

FIG.356

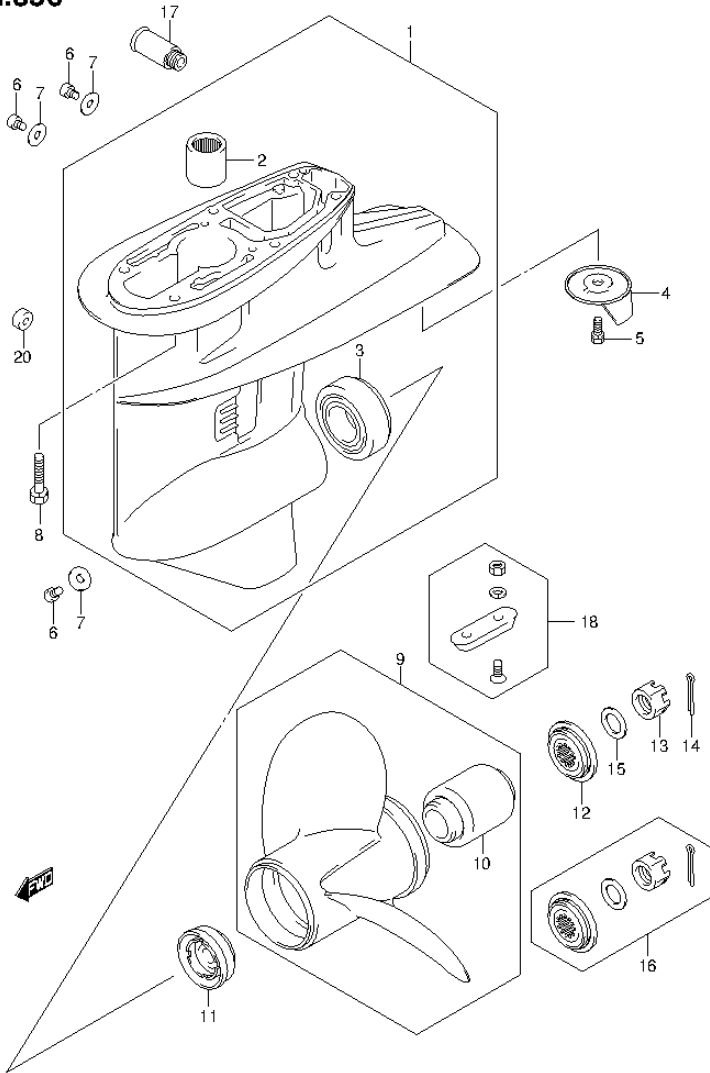


FIG.356 (3-H-9) GEAR CASE (DF50ATH E01)

REF NO.	PART NO.	DESCRIPTION	Q'TY	REMARKS
16	57630-94300	KIT, PROPELLER NUT	1	OPT
17	55181-95200	ATTACHMENT, FLUSH HOSE	1	OPT
18	55300-95500	ZINK ASSY, PROTECTION	1	OPT
19	25700-88L00	SEALING KIT, GEAR CASE	1	OPT
20	55321-87J10	ANODE(MAGNESIUM)	1	NOT ILLUSTRATED OPT

FIG.357

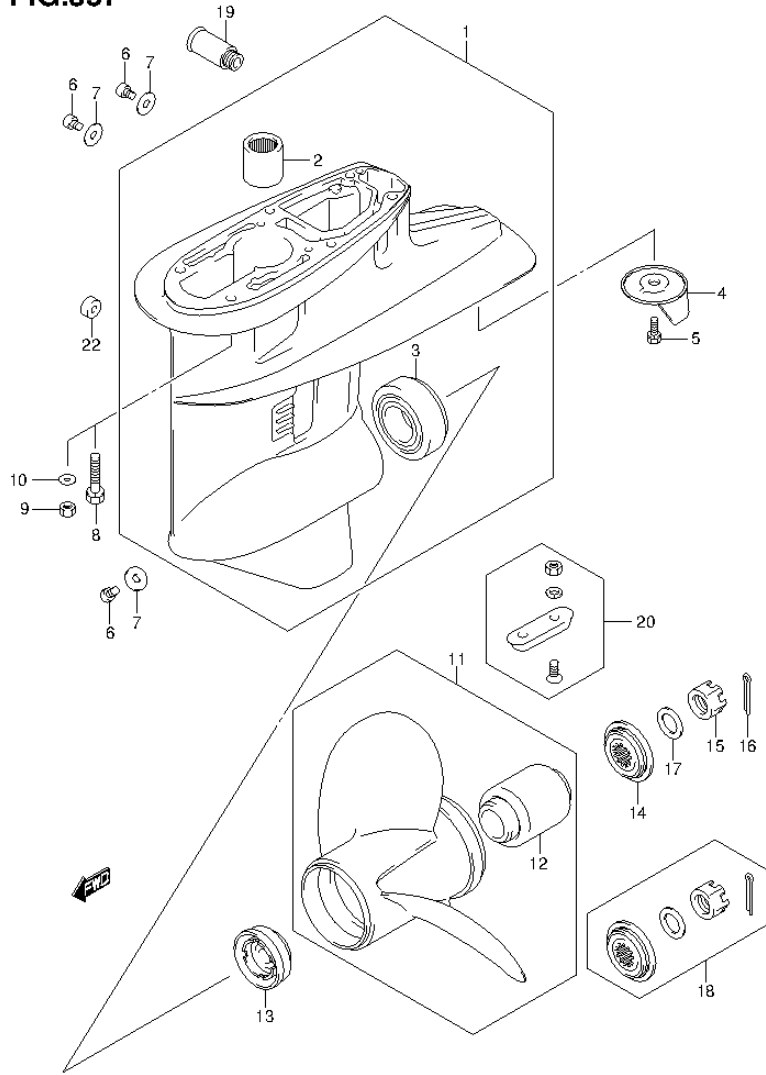


FIG.357 (3-H-10) GEAR CASE (DF60A E01)

REF NO.	PART NO.	DESCRIPTION	Q'TY	REMARKS
1	55100-87J50-0EP	CASE ASSY, GEAR (BLACK)	1	
2	09263-22039	.BEARING (22X30X30)	1	
3	09265-30004	.BEARING (30X62X17.25)	1	
4	55125-95500	TAB, TRIM	1	
5	09117-08109	BOLT (8X16)	1	
6	09248-10008	PLUG (10X7.5)	3	
7	09168-10022	GASKET (10X17X1.5)	3	
8	09116-08131	BOLT (8X45)	6	W/TRANSOM(S) W/TRANSOM(L)
9	09140-08023-XC0	NUT	6	W/TRANSOM(X)
10	09160-08082	WASHER (8.5X16X1.2)	6	W/TRANSOM(X)
11-1	58100-88L03-019	PROPELLER (3X11-1/2X9) (BLACK)	1	
11-2	58100-88L13-019	PROPELLER (3X11-1/2X10) (BLACK)	1	
11-3	58100-88L23-019	PROPELLER (3X11-1/2X11) (BLACK)	1	
11-4	58100-88LA0-019	PROPELLER (3X11-5/8X12) (BLACK)	1	
11-5	58100-88LB0-019	PROPELLER (3X11-1/2X13) (BLACK)	1	
11-6	58100-88L52-019	PROPELLER (3X11-3/8X14) (BLACK)	1	
11-7	58100-88L62-019	PROPELLER (3X11-1/4X15) (BLACK)	1	
11-8	58100-88L72-019	PROPELLER (3X11-1/8X16) (BLACK)	1	
11-9	58100-88L83-019	PROPELLER (3X11X17) (BLACK)	1	
11-10	58200-88L00	PROPELLER	1	OPT
11-11	58200-88L10	PROPELLER	1	OPT
11-12	58200-88L30	PROPELLER	1	OPT
12	58120-88L01	.BUSH, PROPELLER	1	
13	57632-95320	STOPPER, PROPELLER BUSH	1	
14	57633-94300	SPACER, PROPELLER NUT	1	

FIG.357

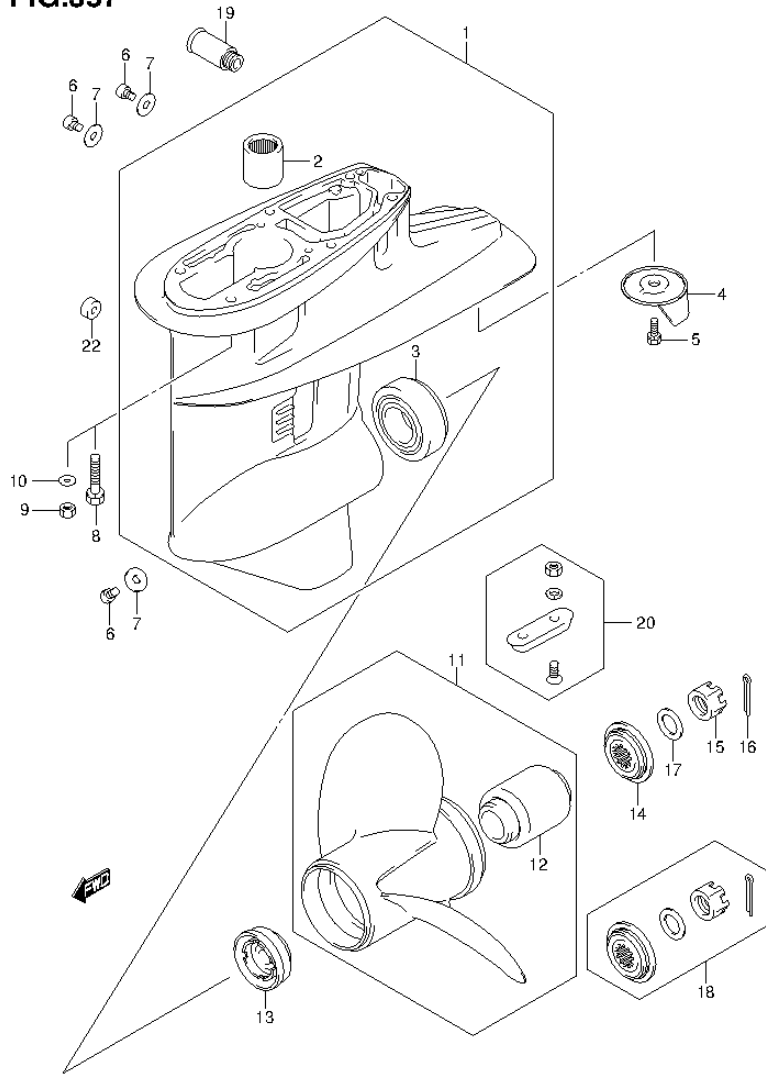


FIG.357 (3-H-11) GEAR CASE (DF60A E01)

REF NO.	PART NO.	DESCRIPTION	Q'TY	REMARKS
15	09141-18005	NUT	1	
16	09204-03003	COTTER PIN (D:3.6,L:25)	1	
17	09160-18028	WASHER (18.5X31X1)	1	
18	57630-94300	KIT, PROPELLER NUT	1	OPT
19	55181-95200	ATTACHMENT, FLUSH HOSE	1	OPT
20	55300-95500	ZINK ASSY, PROTECTION	1	OPT
21	25700-88L00	SEALING KIT, GEAR CASE	1	OPT
22	55321-87J10	ANODE(MAGNESIUM)	1	NOT ILLUSTRATED OPT

FIG.358

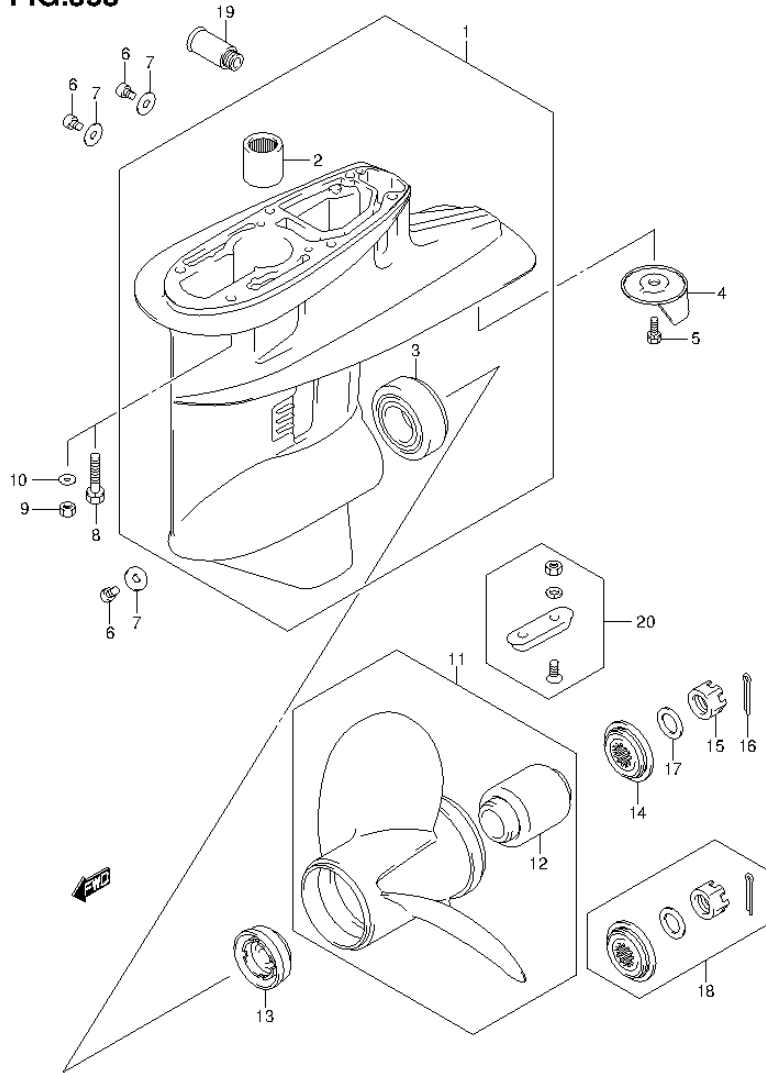


FIG.358 (3-H-12) GEAR CASE (DF60A E40)

REF NO.	PART NO.	DESCRIPTION	Q'TY	REMARKS
1	55100-87J50-0EP	CASE ASSY, GEAR (BLACK)	1	
2	09263-22039	.BEARING (22X30X30)	1	
3	09265-30004	.BEARING (30X62X17.25)	1	
4	55125-95500	TAB, TRIM	1	
5	09117-08109	BOLT (8X16)	1	
6	09248-10008	PLUG (10X7.5)	3	
7	09168-10022	GASKET (10X17X1.5)	3	
8	09116-08131	BOLT (8X45)	6	W/TRANSOM(L)
9	09140-08023-XC0	NUT	6	W/TRANSOM(X)
10	09160-08082	WASHER (8.5X16X1.2)	6	W/TRANSOM(X)
11-1	58100-88L03-019	PROPELLER (3X11-1/2X9) (BLACK)	1	
11-2	58100-88L13-019	PROPELLER (3X11-1/2X10) (BLACK)	1	
11-3	58100-88L23-019	PROPELLER (3X11-1/2X11) (BLACK)	1	
11-4	58100-88LA0-019	PROPELLER (3X11-5/8X12) (BLACK)	1	
11-5	58100-88LB0-019	PROPELLER (3X11-1/2X13) (BLACK)	1	
11-6	58100-88L52-019	PROPELLER (3X11-3/8X14) (BLACK)	1	
11-7	58100-88L62-019	PROPELLER (3X11-1/4X15) (BLACK)	1	
11-8	58100-88L72-019	PROPELLER (3X11-1/8X16) (BLACK)	1	
11-9	58100-88L83-019	PROPELLER (3X11X17) (BLACK)	1	
11-10	58200-88L00	PROPELLER	1	OPT
11-11	58200-88L10	PROPELLER	1	OPT
11-12	58200-88L30	PROPELLER	1	OPT
12	58120-88L01	.BUSH, PROPELLER	1	
13	57632-95320	STOPPER, PROPELLER BUSH	1	
14	57633-94300	SPACER, PROPELLER NUT	1	
15	09141-18005	NUT	1	

FIG.358

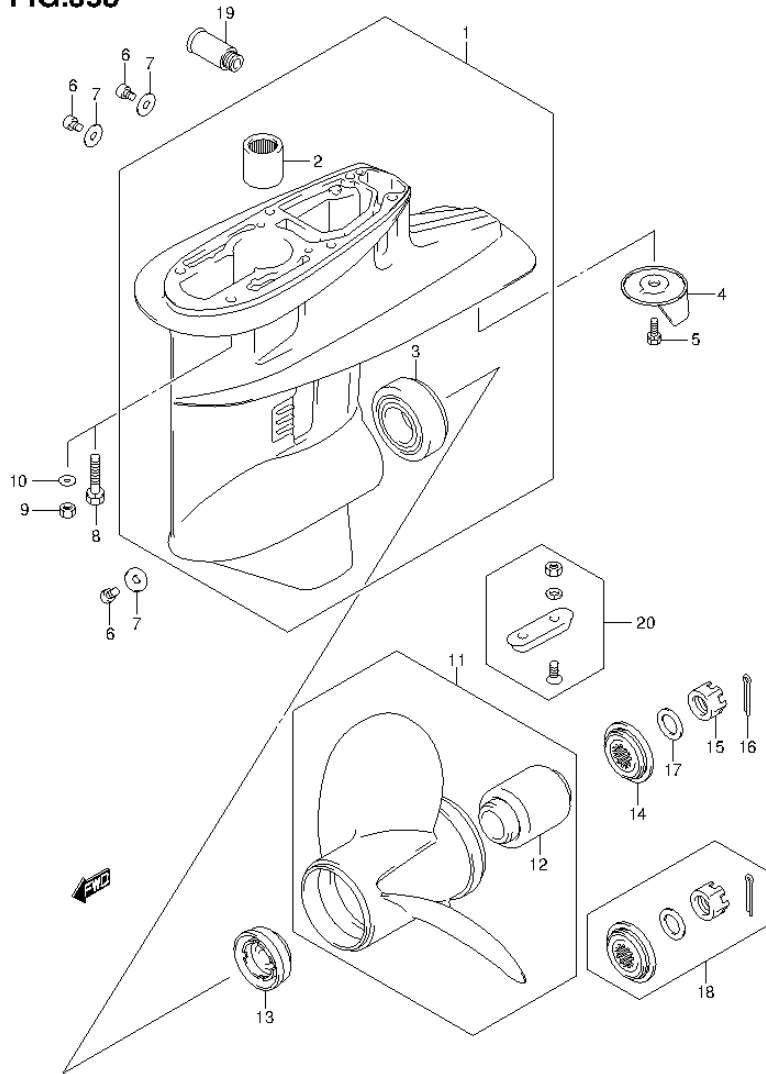


FIG.358 (3-H-13) GEAR CASE (DF60A E40)

REF NO.	PART NO.	DESCRIPTION	Q'TY	REMARKS
16	09204-03003	COTTER PIN (D:3.6,L:25)	1	
17	09160-18028	WASHER (18.5X31X1)	1	
18	57630-94300	KIT, PROPELLER NUT	1	OPT
19	55181-95200	ATTACHMENT, FLUSH HOSE	1	OPT
20	55300-95500	ZINK ASSY, PROTECTION	1	OPT
21	25700-88L00	SEALING KIT, GEAR CASE	1	OPT NOT ILLUSTRATED

FIG.359

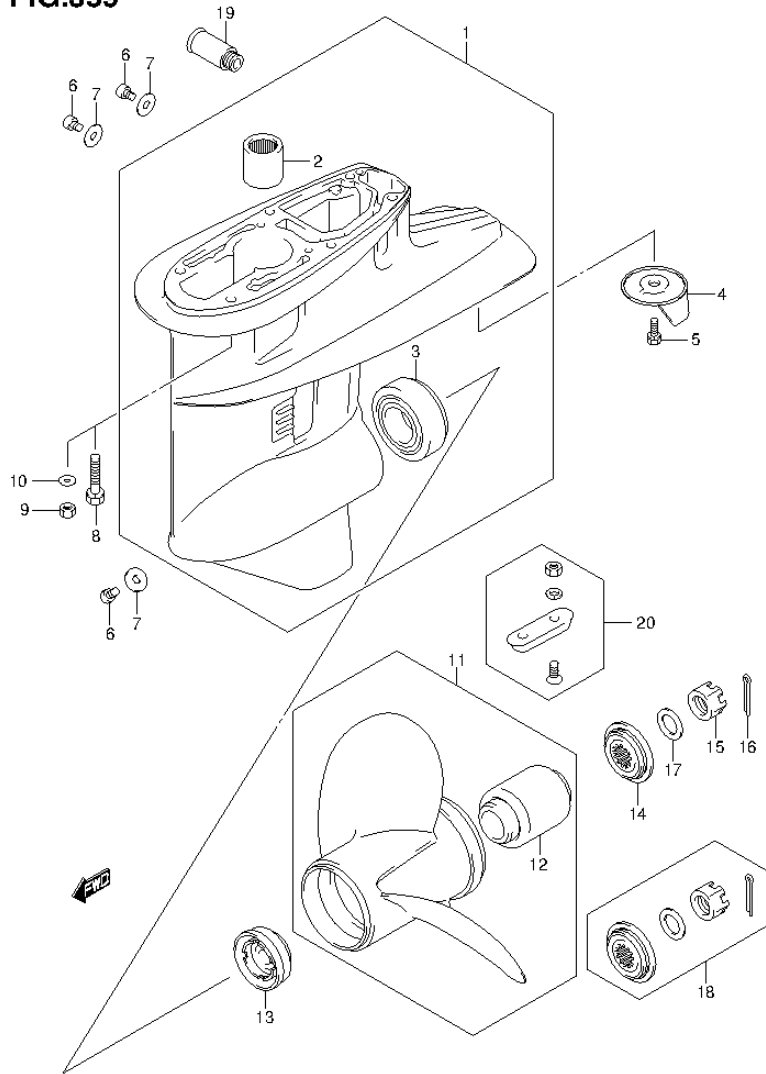


FIG.359 (3-H-14) GEAR CASE (DF60AQH E01)

REF NO.	PART NO.	DESCRIPTION	Q'TY	REMARKS
1	55100-87J50-0EP	CASE ASSY, GEAR (BLACK)	1	
2	09263-22039	.BEARING (22X30X30)	1	
3	09265-30004	.BEARING (30X62X17.25)	1	
4	55125-95500	TAB, TRIM	1	
5	09117-08109	BOLT (8X16)	1	
6	09248-10008	PLUG (10X7.5)	3	
7	09168-10022	GASKET (10X17X1.5)	3	
8	09116-08131	BOLT (8X45)	6	W/TRANSOM(L)
9	09140-08023-XC0	NUT	6	W/TRANSOM(X)
10	09160-08082	WASHER (8.5X16X1.2)	6	W/TRANSOM(X)
11-1	58100-88L03-019	PROPELLER (3X11-1/2X9) (BLACK)	1	
11-2	58100-88L13-019	PROPELLER (3X11-1/2X10) (BLACK)	1	
11-3	58100-88L23-019	PROPELLER (3X11-1/2X11) (BLACK)	1	
11-4	58100-88LA0-019	PROPELLER (3X11-5/8X12) (BLACK)	1	
11-5	58100-88LB0-019	PROPELLER (3X11-1/2X13) (BLACK)	1	
11-6	58100-88L52-019	PROPELLER (3X11-3/8X14) (BLACK)	1	
11-7	58100-88L62-019	PROPELLER (3X11-1/4X15) (BLACK)	1	
11-8	58100-88L72-019	PROPELLER (3X11-1/8X16) (BLACK)	1	
11-9	58100-88L83-019	PROPELLER (3X11X17) (BLACK)	1	
11-10	58200-88L00	PROPELLER	1	OPT
11-11	58200-88L10	PROPELLER	1	OPT
11-12	58200-88L30	PROPELLER	1	OPT
12	58120-88L01	.BUSH, PROPELLER	1	
13	57632-95320	STOPPER, PROPELLER BUSH	1	
14	57633-94300	SPACER, PROPELLER NUT	1	
15	09141-18005	NUT	1	

FIG.359

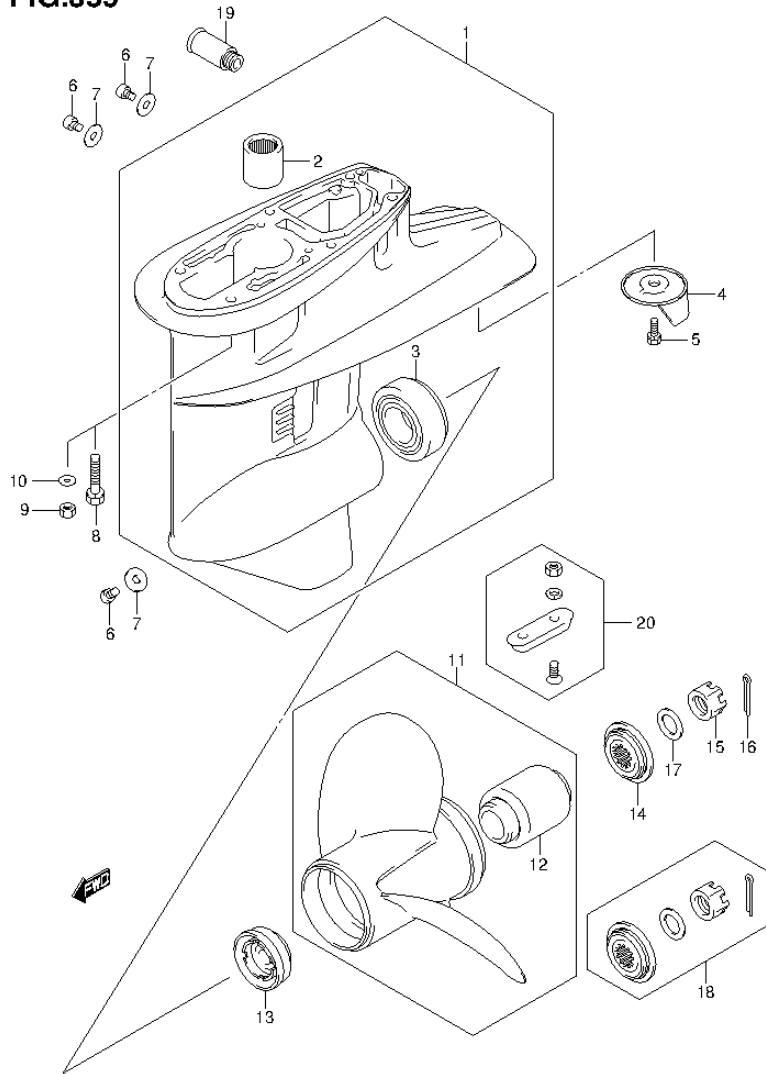


FIG.359 (3-H-15) GEAR CASE (DF60AQH E01)

REF NO.	PART NO.	DESCRIPTION	Q'TY	REMARKS
16	09204-03003	COTTER PIN (D:3.6,L:25)	1	
17	09160-18028	WASHER (18.5X31X1)	1	
18	57630-94300	KIT, PROPELLER NUT	1	OPT
19	55181-95200	ATTACHMENT, FLUSH HOSE	1	OPT
20	55300-95500	ZINK ASSY, PROTECTION	1	OPT
21	25700-88L00	SEALING KIT, GEAR CASE	1	OPT NOT ILLUSTRATED

FIG.360

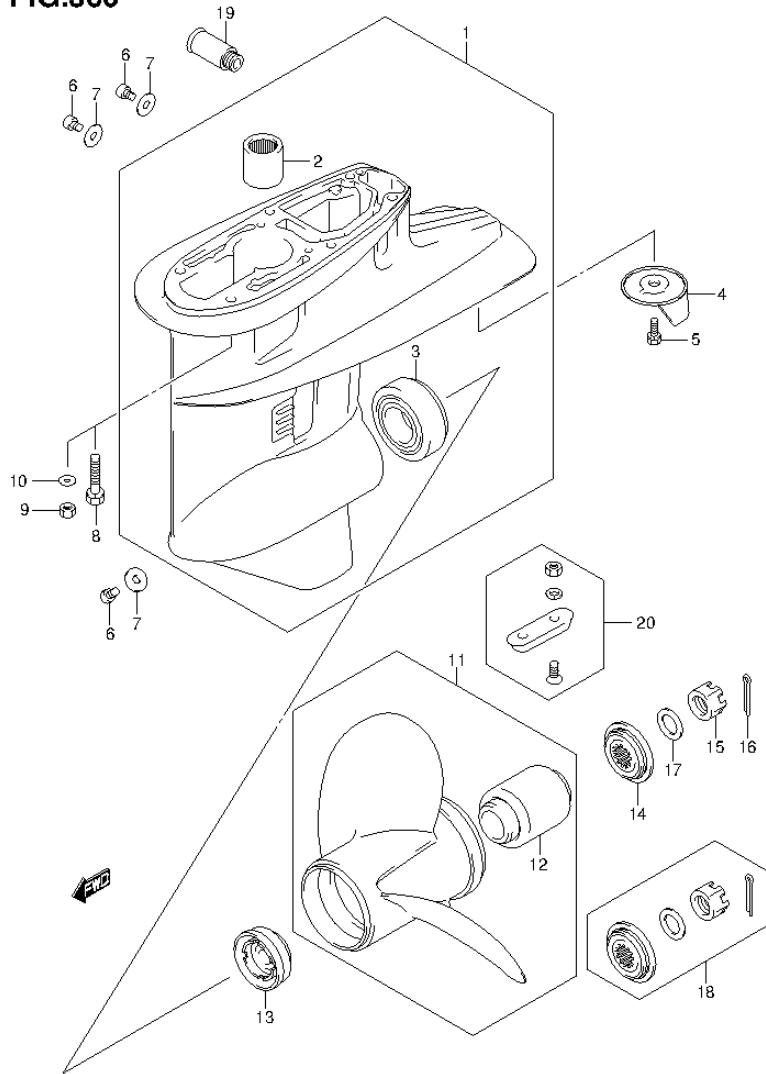


FIG.360 (3-I-2) GEAR CASE (DF60AQH E40)

REF NO.	PART NO.	DESCRIPTION	Q'TY	REMARKS
1	55100-87J50-0EP	CASE ASSY, GEAR (BLACK)	1	
2	09263-22039	.BEARING (22X30X30)	1	
3	09265-30004	.BEARING (30X62X17.25)	1	
4	55125-95500	TAB, TRIM	1	
5	09117-08109	BOLT (8X16)	1	
6	09248-10008	PLUG (10X7.5)	3	
7	09168-10022	GASKET (10X17X1.5)	3	
8	09116-08131	BOLT (8X45)	6	W/TRANSOM(L)
9	09140-08023-XC0	NUT	6	W/TRANSOM(X)
10	09160-08082	WASHER (8.5X16X1.2)	6	W/TRANSOM(X)
11-1	58100-88L03-019	PROPELLER (3X11-1/2X9) (BLACK)	1	
11-2	58100-88L13-019	PROPELLER (3X11-1/2X10) (BLACK)	1	
11-3	58100-88L23-019	PROPELLER (3X11-1/2X11) (BLACK)	1	
11-4	58100-88LA0-019	PROPELLER (3X11-5/8X12) (BLACK)	1	
11-5	58100-88LB0-019	PROPELLER (3X11-1/2X13) (BLACK)	1	
11-6	58100-88L52-019	PROPELLER (3X11-3/8X14) (BLACK)	1	
11-7	58100-88L62-019	PROPELLER (3X11-1/4X15) (BLACK)	1	
11-8	58100-88L72-019	PROPELLER (3X11-1/8X16) (BLACK)	1	
11-9	58100-88L83-019	PROPELLER (3X11X17) (BLACK)	1	
11-10	58200-88L00	PROPELLER	1	OPT
11-11	58200-88L10	PROPELLER	1	OPT
11-12	58200-88L30	PROPELLER	1	OPT
12	58120-88L01	.BUSH, PROPELLER	1	
13	57632-95320	STOPPER, PROPELLER BUSH	1	
14	57633-94300	SPACER, PROPELLER NUT	1	
15	09141-18005	NUT	1	

FIG.360

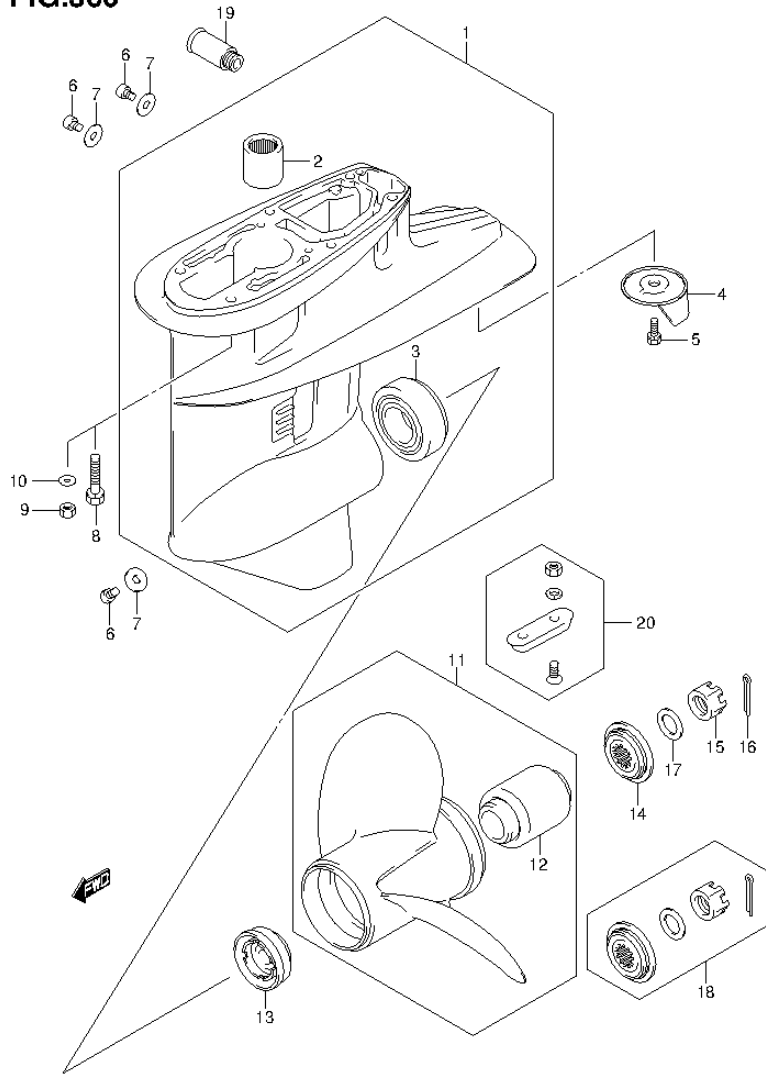


FIG.360 (3-I-3) GEAR CASE (DF60AQH E40)

REF NO.	PART NO.	DESCRIPTION	Q'TY	REMARKS
16	09204-03003	COTTER PIN (D:3.6,L:25)	1	
17	09160-18028	WASHER (18.5X31X1)	1	
18	57630-94300	KIT, PROPELLER NUT	1	OPT
19	55181-95200	ATTACHMENT, FLUSH HOSE	1	OPT
20	55300-95500	ZINK ASSY, PROTECTION	1	OPT
21	25700-88L00	SEALING KIT, GEAR CASE	1	OPT NOT ILLUSTRATED

FIG.361

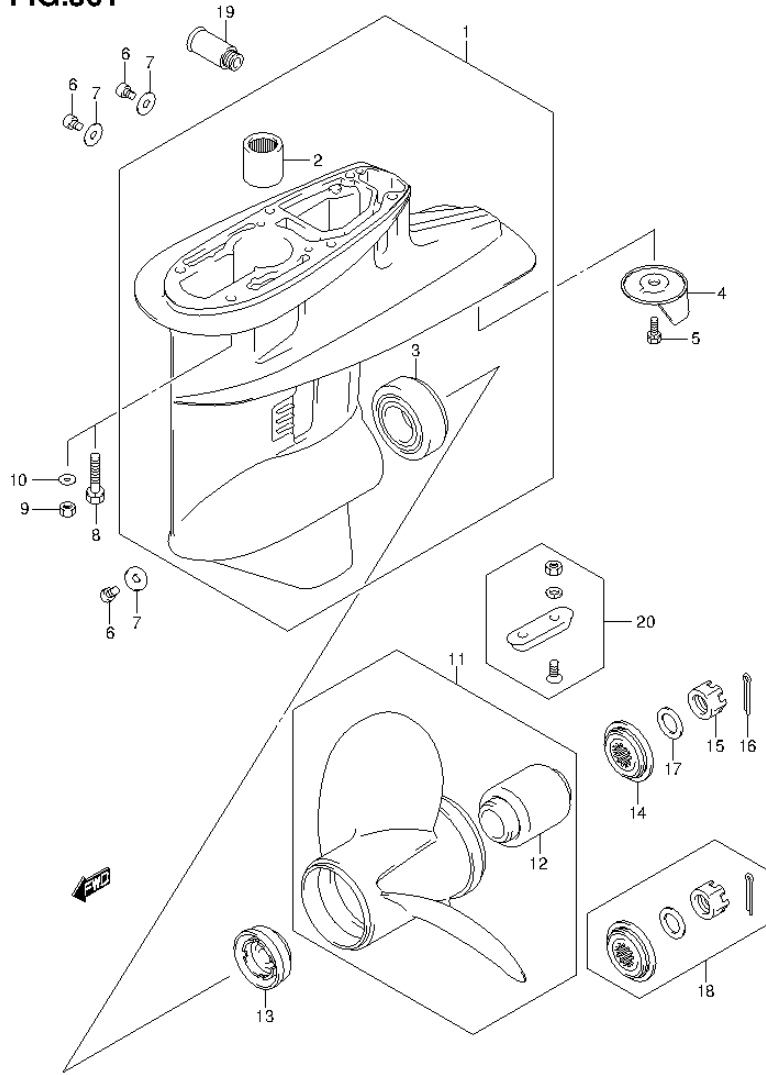


FIG.361 (3-I-4) GEAR CASE (DF60ATH E01)

REF NO.	PART NO.	DESCRIPTION	Q'TY	REMARKS
1	55100-87J50-0EP	CASE ASSY, GEAR (BLACK)	1	
2	09263-22039	.BEARING (22X30X30)	1	
3	09265-30004	.BEARING (30X62X17.25)	1	
4	55125-95500	TAB, TRIM	1	
5	09117-08109	BOLT (8X16)	1	
6	09248-10008	PLUG (10X7.5)	3	
7	09168-10022	GASKET (10X17X1.5)	3	
8	09116-08131	BOLT (8X45)	6	W/TRANSOM(L)
9	09140-08023-XC0	NUT	6	W/TRANSOM(X)
10	09160-08082	WASHER (8.5X16X1.2)	6	W/TRANSOM(X)
11-1	58100-88L03-019	PROPELLER (3X11-1/2X9) (BLACK)	1	
11-2	58100-88L13-019	PROPELLER (3X11-1/2X10) (BLACK)	1	
11-3	58100-88L23-019	PROPELLER (3X11-1/2X11) (BLACK)	1	
11-4	58100-88LA0-019	PROPELLER (3X11-5/8X12) (BLACK)	1	
11-5	58100-88LB0-019	PROPELLER (3X11-1/2X13) (BLACK)	1	
11-6	58100-88L52-019	PROPELLER (3X11-3/8X14) (BLACK)	1	
11-7	58100-88L62-019	PROPELLER (3X11-1/4X15) (BLACK)	1	
11-8	58100-88L72-019	PROPELLER (3X11-1/8X16) (BLACK)	1	
11-9	58100-88L83-019	PROPELLER (3X11X17) (BLACK)	1	
11-10	58200-88L00	PROPELLER	1	OPT
11-11	58200-88L10	PROPELLER	1	OPT
11-12	58200-88L30	PROPELLER	1	OPT
12	58120-88L01	.BUSH, PROPELLER	1	
13	57632-95320	STOPPER, PROPELLER BUSH	1	
14	57633-94300	SPACER, PROPELLER NUT	1	
15	09141-18005	NUT	1	

FIG.361

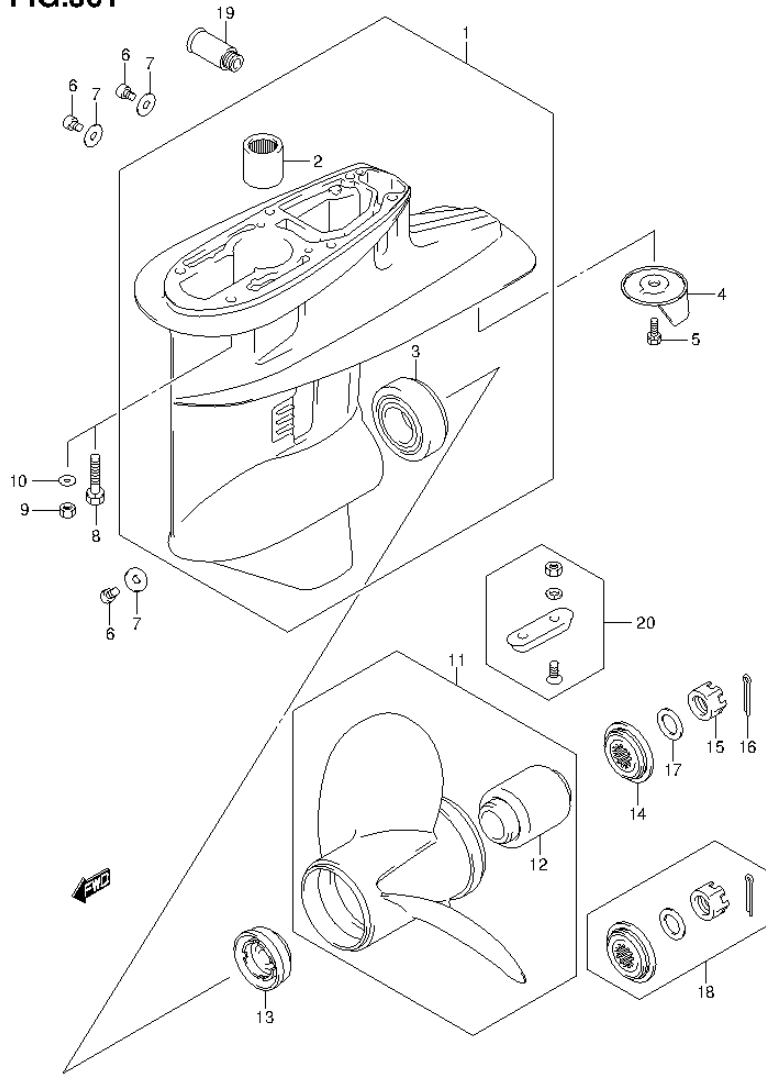


FIG.361 (3-I-5) GEAR CASE (DF60ATH E01)

REF NO.	PART NO.	DESCRIPTION	Q'TY	REMARKS
16	09204-03003	COTTER PIN (D:3.6,L:25)	1	
17	09160-18028	WASHER (18.5X31X1)	1	
18	57630-94300	KIT, PROPELLER NUT	1	OPT
19	55181-95200	ATTACHMENT, FLUSH HOSE	1	OPT
20	55300-95500	ZINK ASSY, PROTECTION	1	OPT
21	25700-88L00	SEALING KIT, GEAR CASE	1	OPT NOT ILLUSTRATED

FIG.362

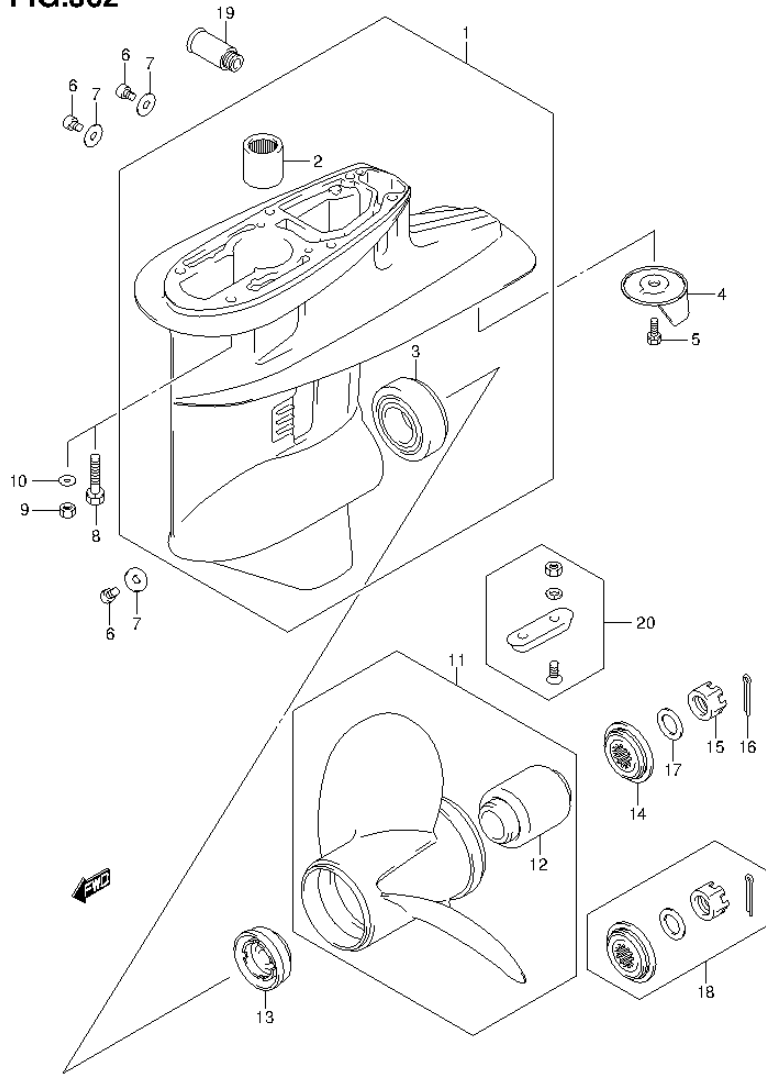


FIG.362 (3-I-6) GEAR CASE (DF60ATH E40)

REF NO.	PART NO.	DESCRIPTION	Q'TY	REMARKS
1	55100-87J50-0EP	CASE ASSY, GEAR (BLACK)	1	
2	09263-22039	.BEARING (22X30X30)	1	
3	09265-30004	.BEARING (30X62X17.25)	1	
4	55125-95500	TAB, TRIM	1	
5	09117-08109	BOLT (8X16)	1	
6	09248-10008	PLUG (10X7.5)	3	
7	09168-10022	GASKET (10X17X1.5)	3	
8	09116-08131	BOLT (8X45)	6	W/TRANSOM(L)
9	09140-08023-XC0	NUT	6	W/TRANSOM(X)
10	09160-08082	WASHER (8.5X16X1.2)	6	W/TRANSOM(X)
11-1	58100-88L03-019	PROPELLER (3X11-1/2X9) (BLACK)	1	
11-2	58100-88L13-019	PROPELLER (3X11-1/2X10) (BLACK)	1	
11-3	58100-88L23-019	PROPELLER (3X11-1/2X11) (BLACK)	1	
11-4	58100-88LA0-019	PROPELLER (3X11-5/8X12) (BLACK)	1	
11-5	58100-88LB0-019	PROPELLER (3X11-1/2X13) (BLACK)	1	
11-6	58100-88L52-019	PROPELLER (3X11-3/8X14) (BLACK)	1	
11-7	58100-88L62-019	PROPELLER (3X11-1/4X15) (BLACK)	1	
11-8	58100-88L72-019	PROPELLER (3X11-1/8X16) (BLACK)	1	
11-9	58100-88L83-019	PROPELLER (3X11X17) (BLACK)	1	
11-10	58200-88L00	PROPELLER	1	OPT
11-11	58200-88L10	PROPELLER	1	OPT
11-12	58200-88L30	PROPELLER	1	OPT
12	58120-88L01	.BUSH, PROPELLER	1	
13	57632-95320	STOPPER, PROPELLER BUSH	1	
14	57633-94300	SPACER, PROPELLER NUT	1	
15	09141-18005	NUT	1	

FIG.362

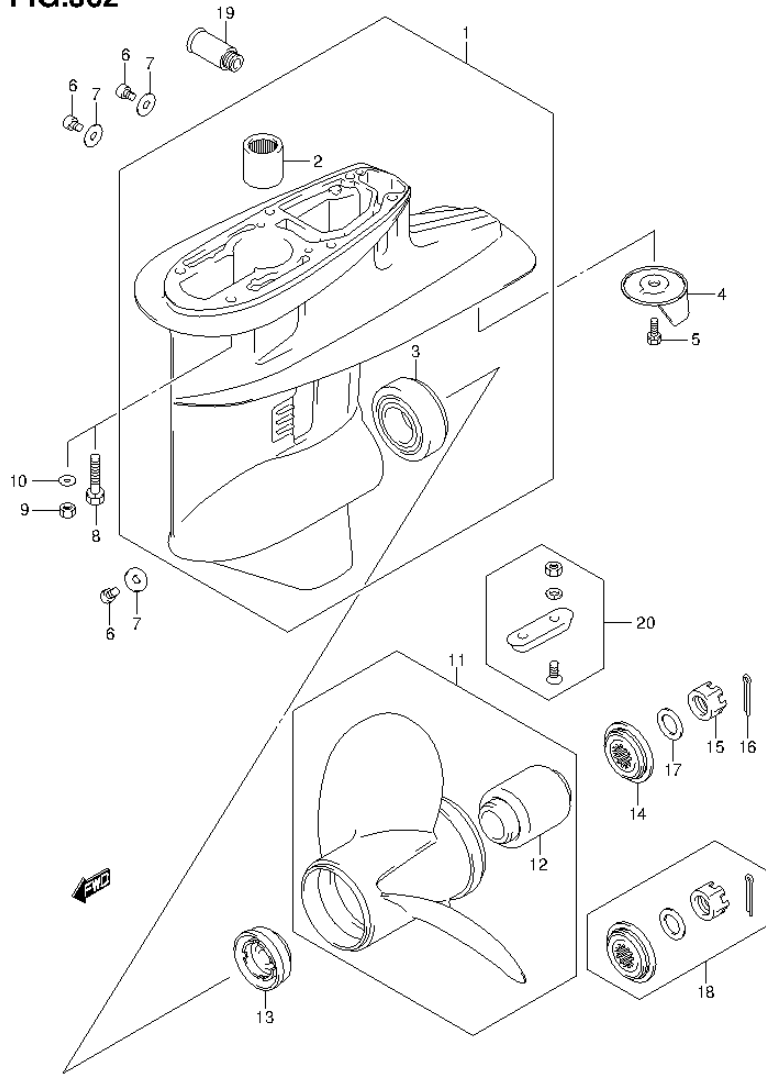


FIG.362 (3-I-7) GEAR CASE (DF60ATH E40)

REF NO.	PART NO.	DESCRIPTION	Q'TY	REMARKS
16	09204-03003	COTTER PIN (D:3.6,L:25)	1	
17	09160-18028	WASHER (18.5X31X1)	1	
18	57630-94300	KIT, PROPELLER NUT	1	OPT
19	55181-95200	ATTACHMENT, FLUSH HOSE	1	OPT
20	55300-95500	ZINK ASSY, PROTECTION	1	OPT
21	25700-88L00	SEALING KIT, GEAR CASE	1	OPT NOT ILLUSTRATED

FIG.363

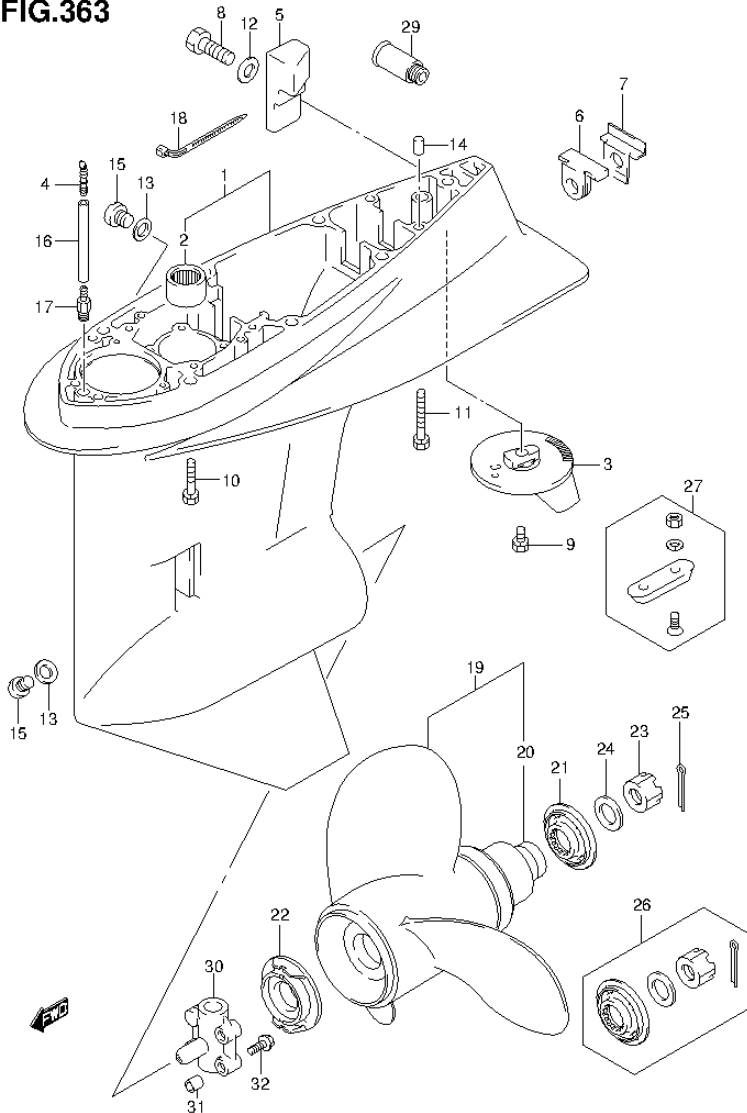


FIG.363 (3-I-8) GEAR CASE (DF50AVT E01)

REF NO.	PART NO.	DESCRIPTION	Q'TY	REMARKS
1	55110-90J15-0EP	CASE, GEAR (BLACK)	1	
2	09263-28016	.BEARING (28.6X38X31.8)	1	
3	55125-90J01	TAB, TRIM	1	
4	55127-87D00	UNION, SPEEDOMETER HOSE	1	
5	55321-90J01	ANODE, GEAR CASE	1	
6	55332-87D11	RUBBER, EXHAUST SEAL	1	
7	55333-87D10	PLATE, EXHAUST SEAL	1	
8	09100-06131	BOLT (6X12)	1	
9	09116-08137	BOLT (8X22)	1	
10	09116-10150	BOLT (10X55)	6	
11	09117-10039	BOLT (10X80)	1	
12	09160-06085	WASHER (6.5X15X1)	1	
13	09168-10022	GASKET (10X17X1.5)	2	
14	09202-08006	PIN (8X12)	2	
15	09248-10008	PLUG (10X7.5)	2	
16	09355-40805-600	HOSE (4X8X600)	1	L:600->70
17	09362-09008	UNION	1	
18	09407-10404	CLAMP (L:100)	2	
19-1	58100-87LA0-019	PROPELLER (3X14X13) (BLACK)	1	
19-2	58100-87LB0-019	PROPELLER (3X13.875X15) (BLACK)	1	
19-3	58100-87LC0-019	PROPELLER (3X13.75X17) (BLACK)	1	
19-4	58100-87LG0-019	PROPELLER (3X14X9) (BLACK)	1	
19-5	58100-87LH0-019	PROPELLER (3X14X11) (BALCK)	1	
20	58105-90J00	.BUSH	1	
21	57633-90J02	SPACER, PROPELLER NUT	1	
22	57635-90J01	STOPPER, PROPELLER BUSH	1	
23	09141-18005	NUT	1	
24	09160-18028	WASHER (18.5X31X1)	1	
25	09204-03003	COTTER PIN (D:3.6,L:25)	1	
26	57630-94500	KIT, PROPELLER NUT	1	OPT
27	55300-95500	ZINK ASSY, PROTECTION	1	OPT
28	25700-99E00	SEALING KIT, GEAR CASE	1	OPT
				NOT ILLUSTRATED
29	55181-95200	ATTACHMENT, FLUSH HOSE	1	OPT

FIG.363

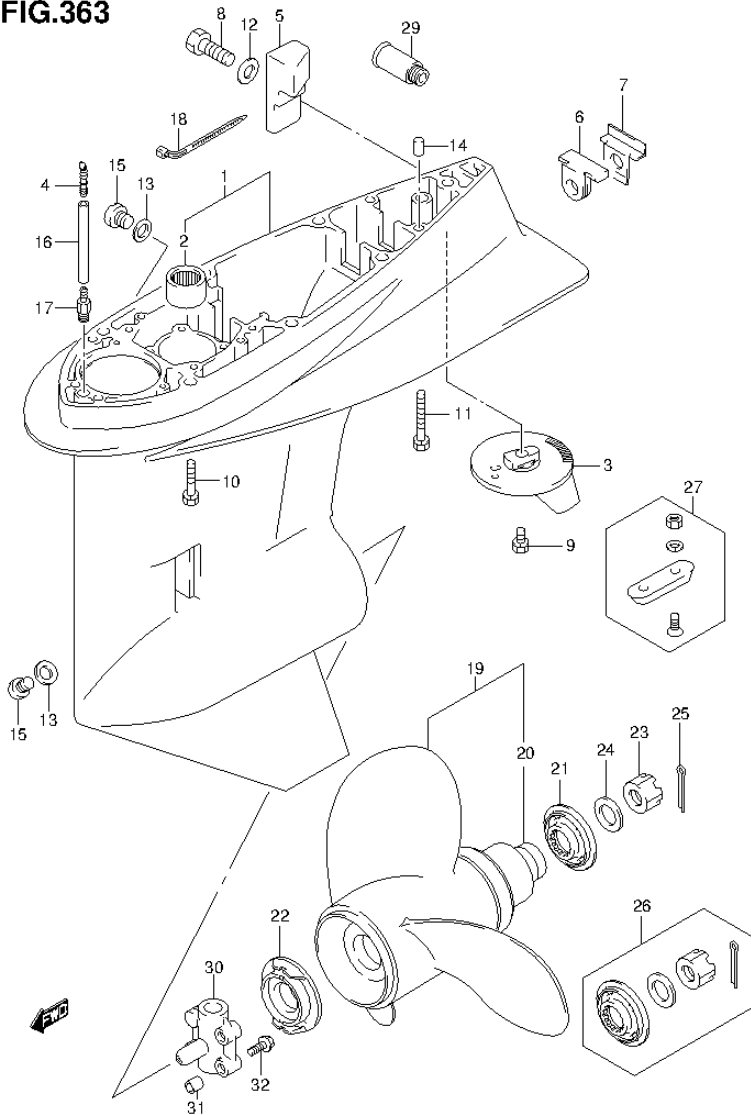


FIG.363 (3-I-9) GEAR CASE (DF50AVT E01)

REF NO.	PART NO.	DESCRIPTION	Q'TY	REMARKS
30	56145-99E01	HOUSING, SHIFT CAM	1	
31	09206-09012	PIN (7.4X9X10)	2	
32	01550-06307	BOLT	3	

FIG.364

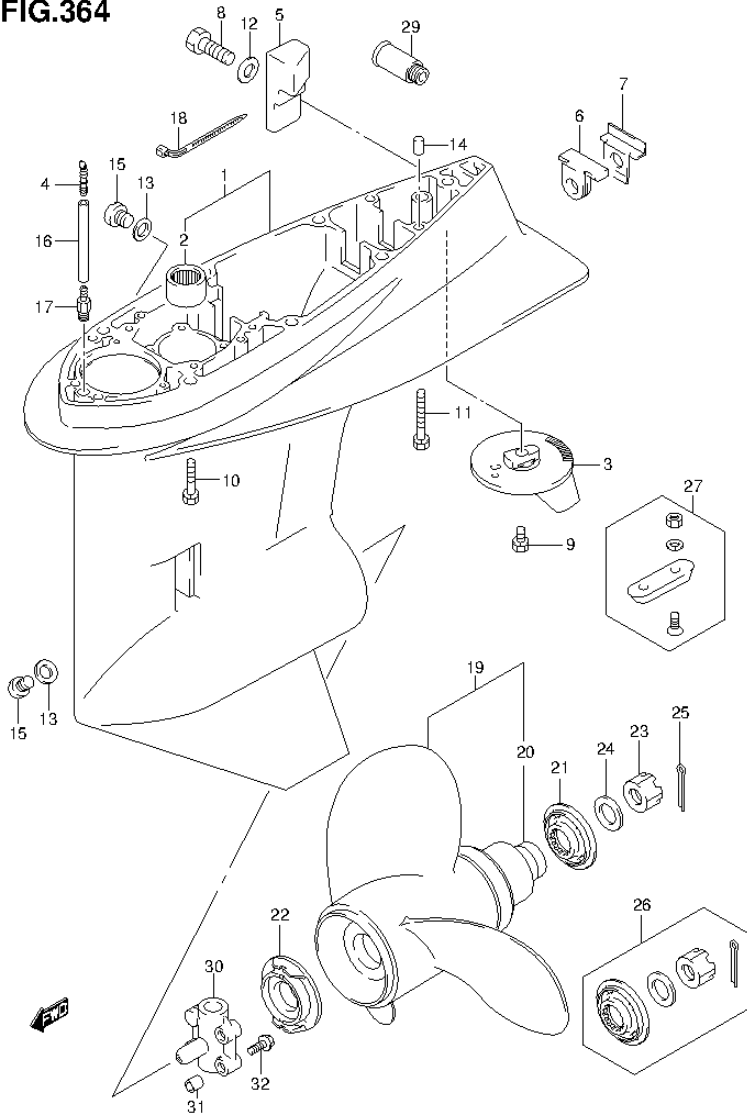


FIG.364 (3-I-10) GEAR CASE (DF50AVTH E01)

REF NO.	PART NO.	DESCRIPTION	Q'TY	REMARKS
1	55110-90J15-0EP	CASE, GEAR (BLACK)	1	
2	09263-28016	.BEARING (28.6X38X31.8)	1	
3	55125-90J01	TAB, TRIM	1	
4	55127-87D00	UNION, SPEEDOMETER HOSE	1	
5	55321-90J01	ANODE, GEAR CASE	1	
6	55332-87D11	RUBBER, EXHAUST SEAL	1	
7	55333-87D10	PLATE, EXHAUST SEAL	1	
8	09100-06131	BOLT (6X12)	1	
9	09116-08137	BOLT (8X22)	1	
10	09116-10150	BOLT (10X55)	6	
11	09117-10039	BOLT (10X80)	1	
12	09160-06085	WASHER (6.5X15X1)	1	
13	09168-10022	GASKET (10X17X1.5)	2	
14	09202-08006	PIN (8X12)	2	
15	09248-10008	PLUG (10X7.5)	2	
16	09355-40805-600	HOSE (4X8X600)	1	L:600->70
17	09362-09008	UNION	1	
18	09407-10404	CLAMP (L:100)	2	
19-1	58100-87LA0-019	PROPELLER (3X14X13) (BLACK)	1	
19-2	58100-87LB0-019	PROPELLER (3X13.875X15) (BLACK)	1	
19-3	58100-87LC0-019	PROPELLER (3X13.75X17) (BLACK)	1	
19-4	58100-87LG0-019	PROPELLER (3X14X9) (BLACK)	1	
19-5	58100-87LH0-019	PROPELLER (3X14X11) (BALCK)	1	
20	58105-90J00	.BUSH	1	
21	57633-90J02	SPACER, PROPELLER NUT	1	
22	57635-90J01	STOPPER, PROPELLER BUSH	1	
23	09141-18005	NUT	1	
24	09160-18028	WASHER (18.5X31X1)	1	
25	09204-03003	COTTER PIN (D:3.6,L:25)	1	
26	57630-94500	KIT, PROPELLER NUT	1	OPT
27	55300-95500	ZINK ASSY, PROTECTION	1	OPT
28	25700-99E00	SEALING KIT, GEAR CASE	1	OPT
				NOT ILLUSTRATED
29	55181-95200	ATTACHMENT, FLUSH HOSE	1	OPT

FIG.364

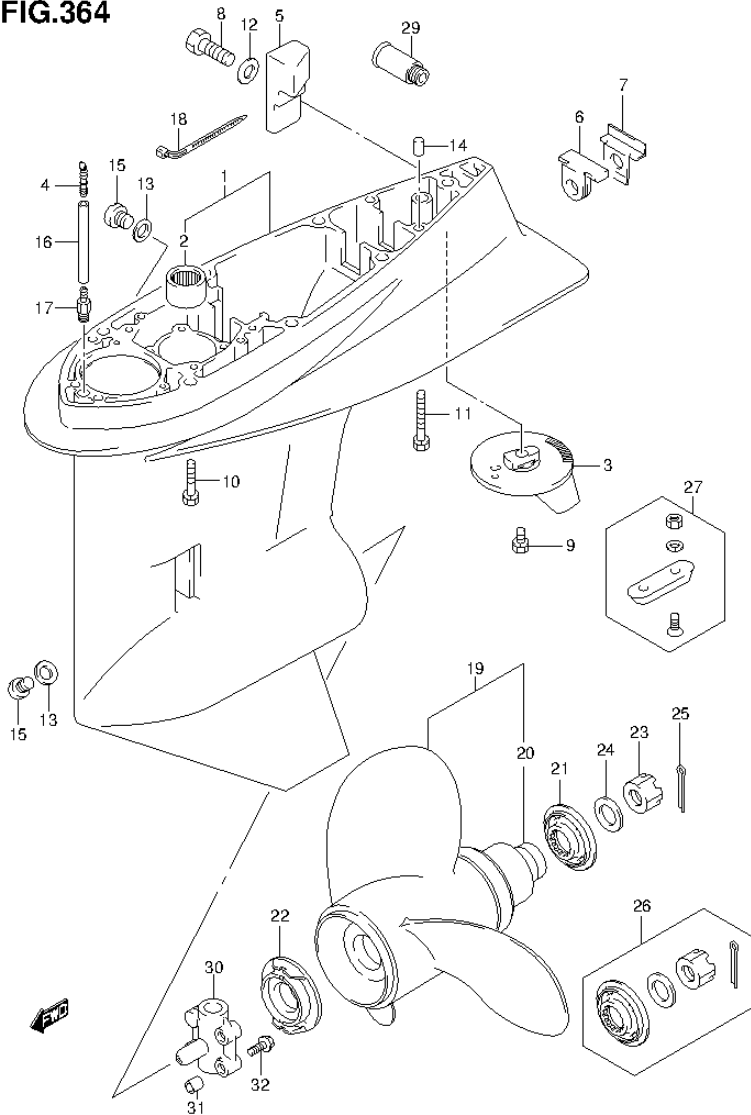


FIG.364 (3-I-11) GEAR CASE (DF50AVTH E01)

REF NO.	PART NO.	DESCRIPTION	Q'TY	REMARKS
30	56145-99E01	HOUSING, SHIFT CAM	1	
31	09206-09012	PIN (7.4X9X10)	2	
32	01550-06307	BOLT	3	

FIG.365

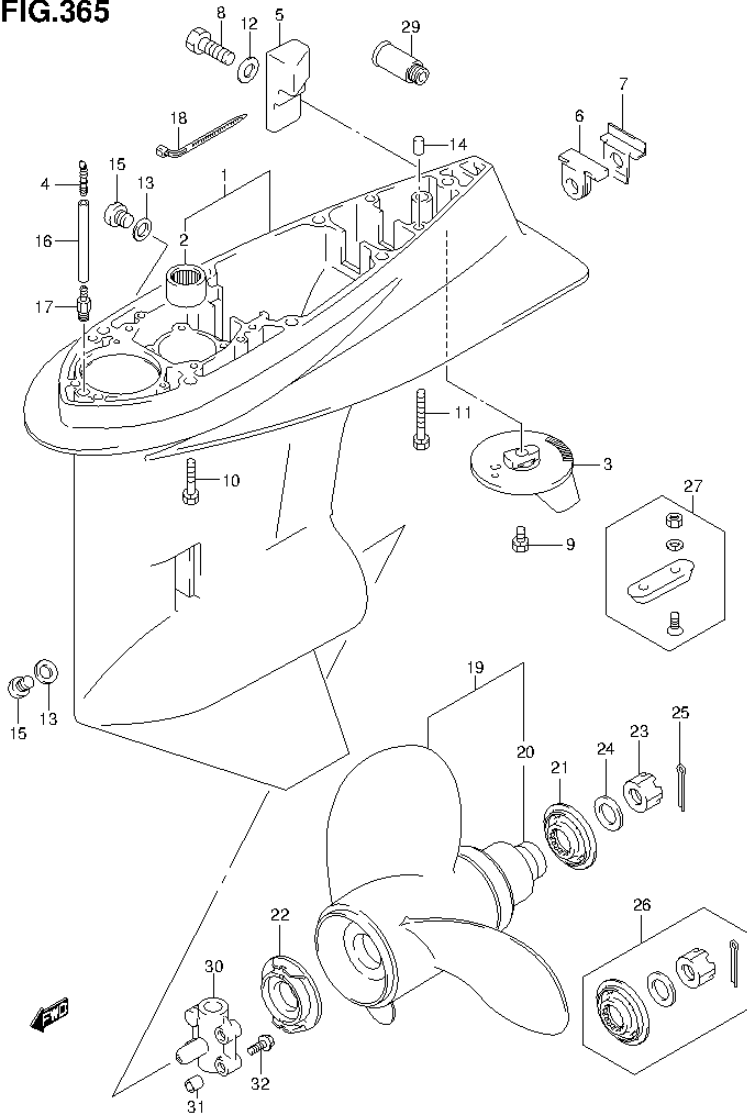


FIG.365 (3-I-12) GEAR CASE (DF60AVT E01)

REF NO.	PART NO.	DESCRIPTION	Q'TY	REMARKS
1	55110-90J15-0EP	CASE, GEAR (BLACK)	1	
2	09263-28016	.BEARING (28.6X38X31.8)	1	
3	55125-90J01	TAB, TRIM	1	
4	55127-87D00	UNION, SPEEDOMETER HOSE	1	
5	55321-90J01	ANODE, GEAR CASE	1	
6	55332-87D11	RUBBER, EXHAUST SEAL	1	
7	55333-87D10	PLATE, EXHAUST SEAL	1	
8	09100-06131	BOLT (6X12)	1	
9	09116-08137	BOLT (8X22)	1	
10	09116-10150	BOLT (10X55)	6	
11	09117-10039	BOLT (10X80)	1	
12	09160-06085	WASHER (6.5X15X1)	1	
13	09168-10022	GASKET (10X17X1.5)	2	
14	09202-08006	PIN (8X12)	2	
15	09248-10008	PLUG (10X7.5)	2	
16	09355-40805-600	HOSE (4X8X600)	1	L:600->70
17	09362-09008	UNION	1	
18	09407-10404	CLAMP (L:100)	2	
19-1	58100-87LA0-019	PROPELLER (3X14X13) (BLACK)	1	
19-2	58100-87LB0-019	PROPELLER (3X13.875X15) (BLACK)	1	
19-3	58100-87LC0-019	PROPELLER (3X13.75X17) (BLACK)	1	
19-4	58100-87LG0-019	PROPELLER (3X14X9) (BLACK)	1	
19-5	58100-87LH0-019	PROPELLER (3X14X11) (BALCK)	1	
20	58105-90J00	.BUSH	1	
21	57633-90J02	SPACER, PROPELLER NUT	1	
22	57635-90J01	STOPPER, PROPELLER BUSH	1	
23	09141-18005	NUT	1	
24	09160-18028	WASHER (18.5X31X1)	1	
25	09204-03003	COTTER PIN (D:3.6,L:25)	1	
26	57630-94500	KIT, PROPELLER NUT	1	OPT
27	55300-95500	ZINK ASSY, PROTECTION	1	OPT
28	25700-99E00	SEALING KIT, GEAR CASE	1	OPT
				NOT ILLUSTRATED
29	55181-95200	ATTACHMENT, FLUSH HOSE	1	OPT

FIG.365

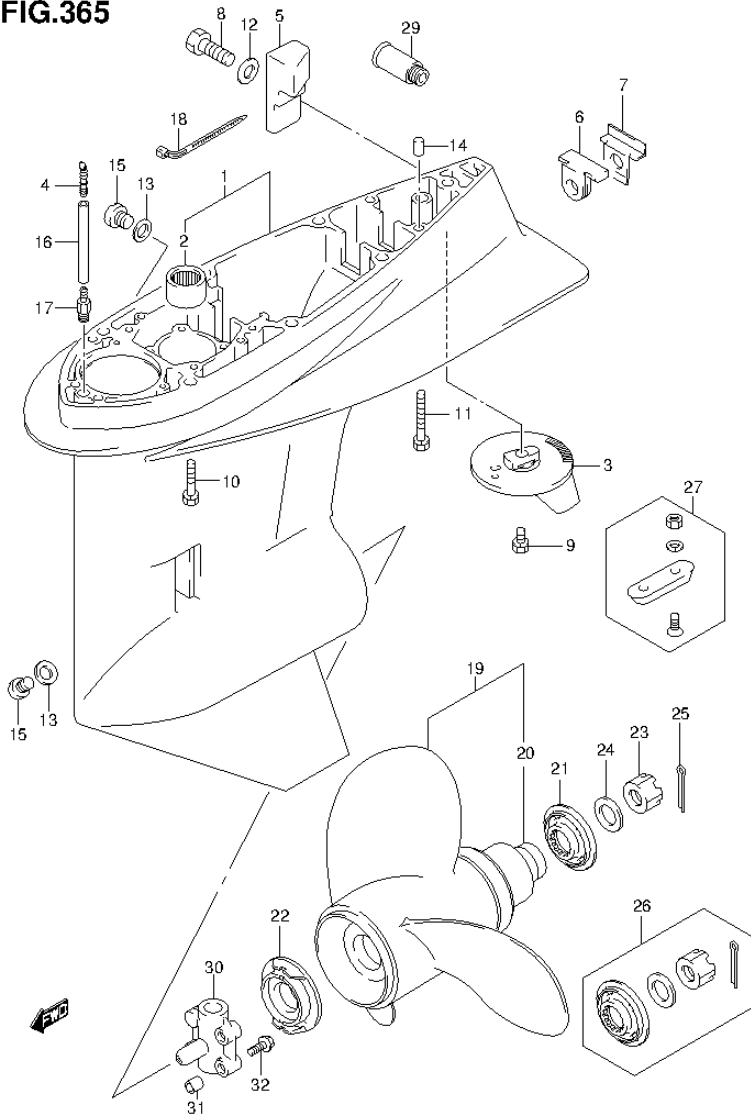


FIG.365 (3-I-13) GEAR CASE (DF60AVT E01)

REF NO.	PART NO.	DESCRIPTION	Q'TY	REMARKS
30	56145-99E01	HOUSING, SHIFT CAM	1	
31	09206-09012	PIN (7.4X9X10)	2	
32	01550-06307	BOLT	3	

FIG.366

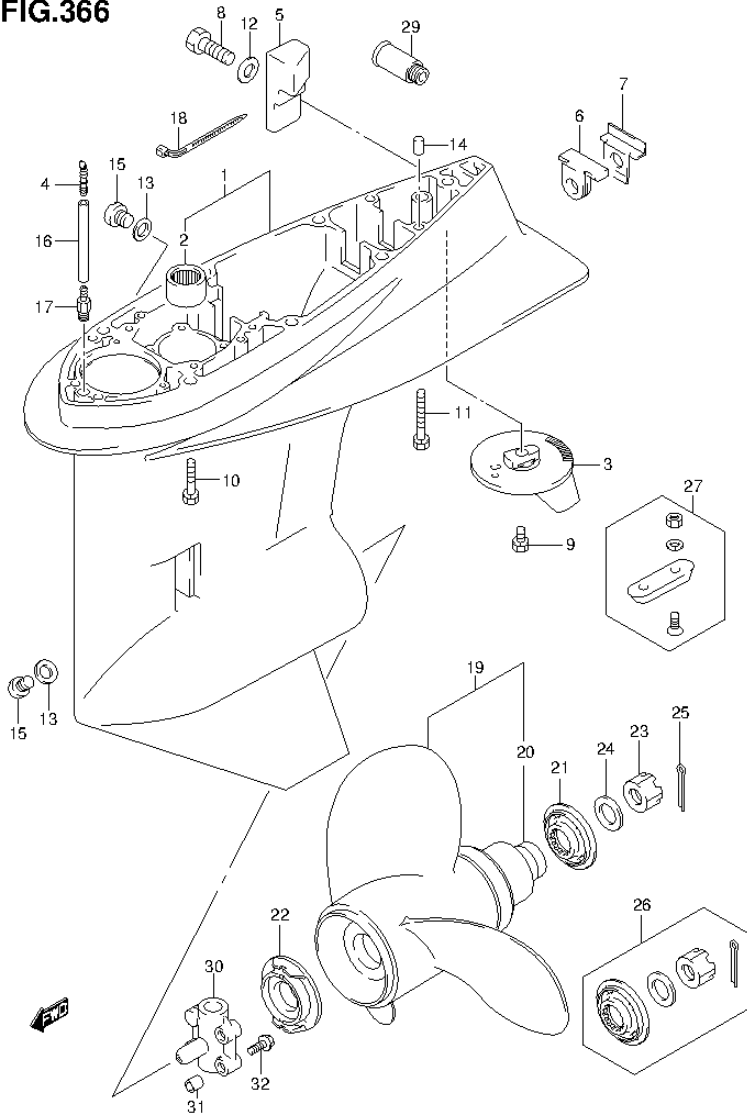


FIG.366 (3-I-14) GEAR CASE (DF60AVT E40)

REF NO.	PART NO.	DESCRIPTION	Q'TY	REMARKS
1	55110-90J15-0EP	CASE, GEAR (BLACK)	1	
2	09263-28016	.BEARING (28.6X38X31.8)	1	
3	55125-90J01	TAB, TRIM	1	
4	55127-87D00	UNION, SPEEDOMETER HOSE	1	
5	55321-90J01	ANODE, GEAR CASE	1	
6	55332-87D11	RUBBER, EXHAUST SEAL	1	
7	55333-87D10	PLATE, EXHAUST SEAL	1	
8	09100-06131	BOLT (6X12)	1	
9	09116-08137	BOLT (8X22)	1	
10	09116-10150	BOLT (10X55)	6	
11	09117-10039	BOLT (10X80)	1	
12	09160-06085	WASHER (6.5X15X1)	1	
13	09168-10022	GASKET (10X17X1.5)	2	
14	09202-08006	PIN (8X12)	2	
15	09248-10008	PLUG (10X7.5)	2	
16	09355-40805-600	HOSE (4X8X600)	1	L:600->70
17	09362-09008	UNION	1	
18	09407-10404	CLAMP (L:100)	2	
19-1	58100-87LA0-019	PROPELLER (3X14X13) (BLACK)	1	
19-2	58100-87LB0-019	PROPELLER (3X13.875X15) (BLACK)	1	
19-3	58100-87LC0-019	PROPELLER (3X13.75X17) (BLACK)	1	
19-4	58100-87LG0-019	PROPELLER (3X14X9) (BLACK)	1	
19-5	58100-87LH0-019	PROPELLER (3X14X11) (BALCK)	1	
20	58105-90J00	.BUSH	1	
21	57633-90J02	SPACER, PROPELLER NUT	1	
22	57635-90J01	STOPPER, PROPELLER BUSH	1	
23	09141-18005	NUT	1	
24	09160-18028	WASHER (18.5X31X1)	1	
25	09204-03003	COTTER PIN (D:3.6,L:25)	1	
26	57630-94500	KIT, PROPELLER NUT	1	OPT
27	55300-95500	ZINK ASSY, PROTECTION	1	OPT
28	25700-99E00	SEALING KIT, GEAR CASE	1	OPT
29	55181-95200	ATTACHMENT, FLUSH HOSE	1	OPT

FIG.366

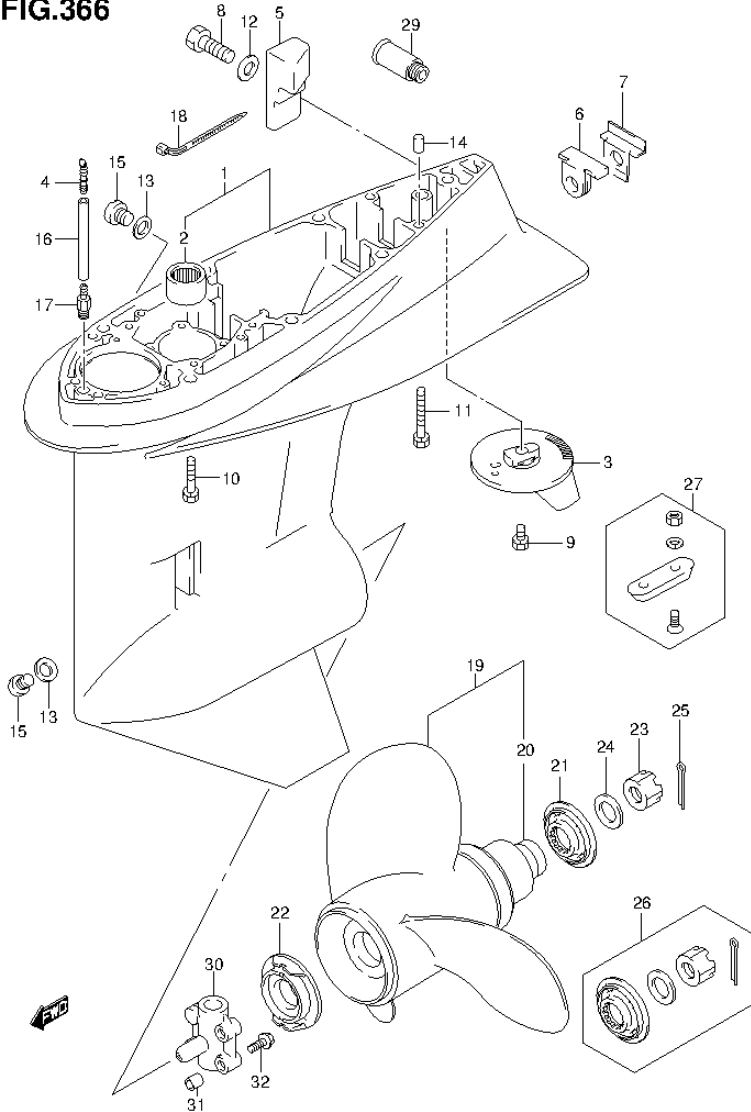


FIG.366 (3-I-15) GEAR CASE (DF60AVT E40)

REF NO.	PART NO.	DESCRIPTION	Q'TY	REMARKS
30	56145-99E01	HOUSING, SHIFT CAM	1	
31	09206-09012	PIN (7.4X9X10)	2	
32	01550-06307	BOLT	3	

FIG.367

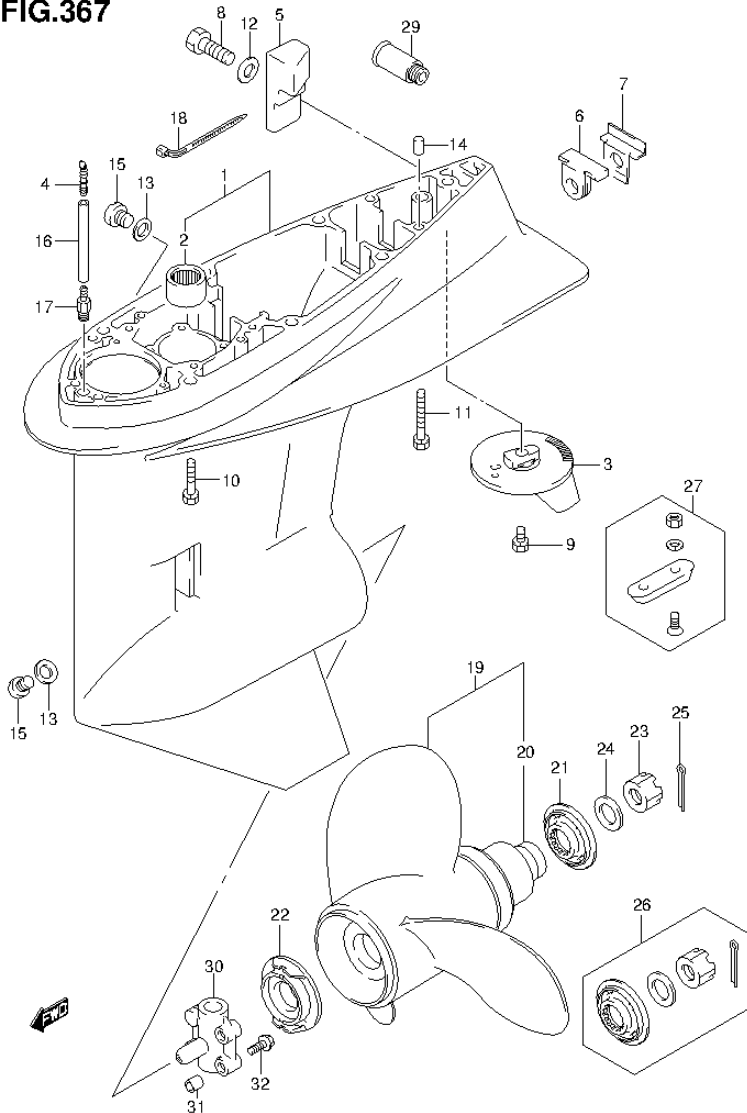


FIG.367 (3-J-2) GEAR CASE (DF60AVTH E01)

REF NO.	PART NO.	DESCRIPTION	Q'TY	REMARKS
1	55110-90J15-0EP	CASE, GEAR (BLACK)	1	
2	09263-28016	.BEARING (28.6X38X31.8)	1	
3	55125-90J01	TAB, TRIM	1	
4	55127-87D00	UNION, SPEEDOMETER HOSE	1	
5	55321-90J01	ANODE, GEAR CASE	1	
6	55332-87D11	RUBBER, EXHAUST SEAL	1	
7	55333-87D10	PLATE, EXHAUST SEAL	1	
8	09100-06131	BOLT (6X12)	1	
9	09116-08137	BOLT (8X22)	1	
10	09116-10150	BOLT (10X55)	6	
11	09117-10039	BOLT (10X80)	1	
12	09160-06085	WASHER (6.5X15X1)	1	
13	09168-10022	GASKET (10X17X1.5)	2	
14	09202-08006	PIN (8X12)	2	
15	09248-10008	PLUG (10X7.5)	2	
16	09355-40805-600	HOSE (4X8X600)	1	L:600->70
17	09362-09008	UNION	1	
18	09407-10404	CLAMP (L:100)	2	
19-1	58100-87LA0-019	PROPELLER (3X14X13) (BLACK)	1	
19-2	58100-87LB0-019	PROPELLER (3X13.875X15) (BLACK)	1	
19-3	58100-87LC0-019	PROPELLER (3X13.75X17) (BLACK)	1	
19-4	58100-87LG0-019	PROPELLER (3X14X9) (BLACK)	1	
19-5	58100-87LH0-019	PROPELLER (3X14X11) (BALCK)	1	
20	58105-90J00	.BUSH	1	
21	57633-90J02	SPACER, PROPELLER NUT	1	
22	57635-90J01	STOPPER, PROPELLER BUSH	1	
23	09141-18005	NUT	1	
24	09160-18028	WASHER (18.5X31X1)	1	
25	09204-03003	COTTER PIN (D:3.6,L:25)	1	
26	57630-94500	KIT, PROPELLER NUT	1	OPT
27	55300-95500	ZINK ASSY, PROTECTION	1	OPT
28	25700-99E00	SEALING KIT, GEAR CASE	1	OPT
29	55181-95200	ATTACHMENT, FLUSH HOSE	1	OPT

FIG.367

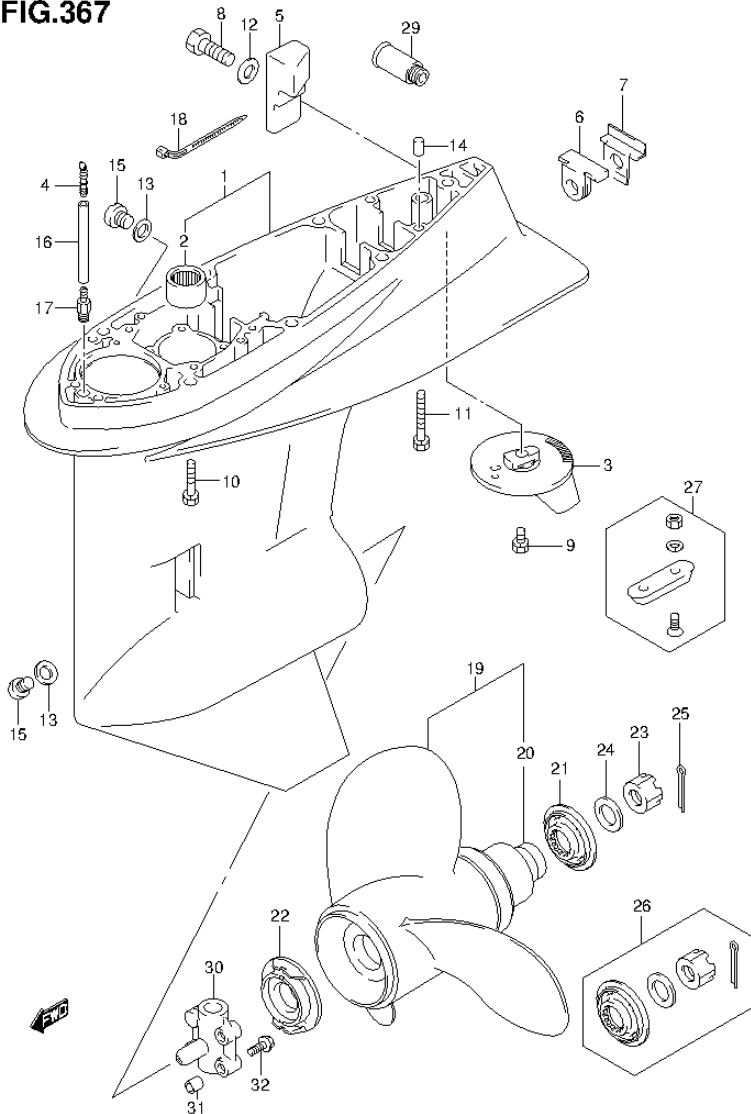


FIG.367 (3-J-3) GEAR CASE (DF60AVTH E01)

REF NO.	PART NO.	DESCRIPTION	Q'TY	REMARKS
30	56145-99E01	HOUSING, SHIFT CAM	1	
31	09206-09012	PIN (7.4X9X10)	2	
32	01550-06307	BOLT	3	

FIG.368

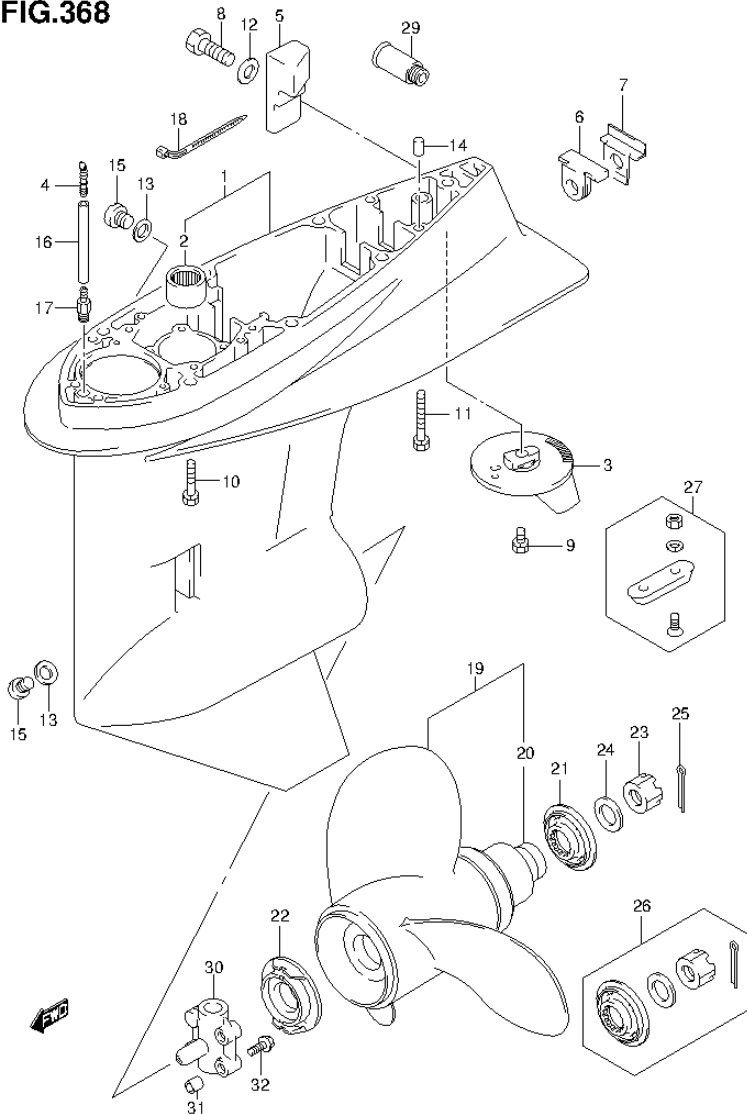


FIG.368 (3-J-4) GEAR CASE (DF60AVTH E40)

REF NO.	PART NO.	DESCRIPTION	Q'TY	REMARKS
1	55110-90J15-0EP	CASE, GEAR (BLACK)	1	
2	09263-28016	.BEARING (28.6X38X31.8)	1	
3	55125-90J01	TAB, TRIM	1	
4	55127-87D00	UNION, SPEEDOMETER HOSE	1	
5	55321-90J01	ANODE, GEAR CASE	1	
6	55332-87D11	RUBBER, EXHAUST SEAL	1	
7	55333-87D10	PLATE, EXHAUST SEAL	1	
8	09100-06131	BOLT (6X12)	1	
9	09116-08137	BOLT (8X22)	1	
10	09116-10150	BOLT (10X55)	6	
11	09117-10039	BOLT (10X80)	1	
12	09160-06085	WASHER (6.5X15X1)	1	
13	09168-10022	GASKET (10X17X1.5)	2	
14	09202-08006	PIN (8X12)	2	
15	09248-10008	PLUG (10X7.5)	2	
16	09355-40805-600	HOSE (4X8X600)	1	L:600->70
17	09362-09008	UNION	1	
18	09407-10404	CLAMP (L:100)	2	
19-1	58100-87LA0-019	PROPELLER (3X14X13) (BLACK)	1	
19-2	58100-87LB0-019	PROPELLER (3X13.875X15) (BLACK)	1	
19-3	58100-87LC0-019	PROPELLER (3X13.75X17) (BLACK)	1	
19-4	58100-87LG0-019	PROPELLER (3X14X9) (BLACK)	1	
19-5	58100-87LH0-019	PROPELLER (3X14X11) (BALCK)	1	
20	58105-90J00	.BUSH	1	
21	57633-90J02	SPACER, PROPELLER NUT	1	
22	57635-90J01	STOPPER, PROPELLER BUSH	1	
23	09141-18005	NUT	1	
24	09160-18028	WASHER (18.5X31X1)	1	
25	09204-03003	COTTER PIN (D:3.6,L:25)	1	
26	57630-94500	KIT, PROPELLER NUT	1	OPT
27	55300-95500	ZINK ASSY, PROTECTION	1	OPT
28	25700-99E00	SEALING KIT, GEAR CASE	1	OPT
				NOT ILLUSTRATED
29	55181-95200	ATTACHMENT, FLUSH HOSE	1	OPT

FIG.368

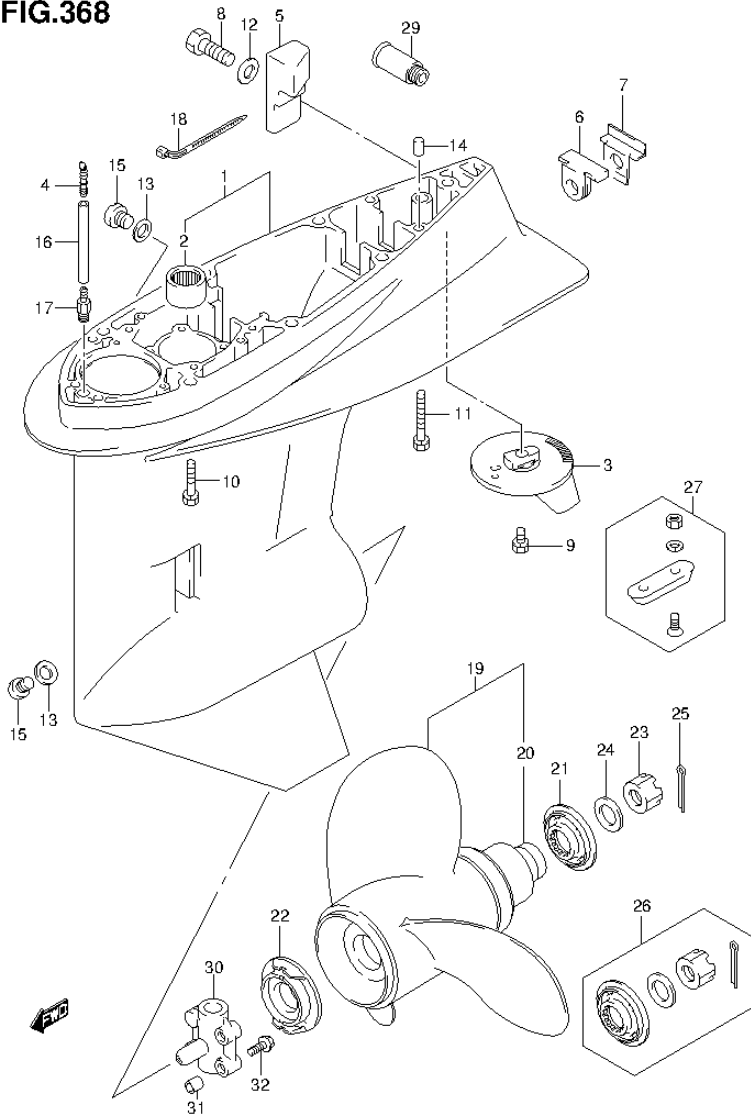


FIG.368 (3-J-5) GEAR CASE (DF60AVTH E40)

REF NO.	PART NO.	DESCRIPTION	Q'TY	REMARKS
30	56145-99E01	HOUSING, SHIFT CAM	1	
31	09206-09012	PIN (7.4X9X10)	2	
32	01550-06307	BOLT	3	

FIG.369

FIG.369 (3-J-6) SIDE COVER

REF NO.	PART NO.	DESCRIPTION	Q'TY	REMARKS
1	61112-88L10	RUBBER, SIDE COVER	1	
2	61134-88L10	SEAL, SIDE COVER	1	
3-1	61811-88L30-0EP	COVER, SIDE STBD (S) (BLACK)	1	W/TRANSOM(S)
3-2	61811-88L20-0EP	COVER, SIDE STBD (BLACK)	1	W/TRANSOM(L) W/TRANSOM(X)
4-1	61821-88L30-0EP	COVER, SIDE PORT (S) (BLACK)	1	W/TRANSOM(S)
4-2	61821-88L20-0EP	COVER, SIDE PORT (BLACK)	1	W/TRANSOM(L) W/TRANSOM(X)
5-1	09136-06148	SCREW (6X35)	9	W/TRANSOM(S)
5-2	09136-06148	SCREW (6X35)	10	W/TRANSOM(L) W/TRANSOM(X)
6	61151-88L00	CUSHION, SIDE COVER	1	
7	61831-88L10-0EP	PANEL, FRONT (BLACK)	1	
8	09118-08127	BOLT (8X40)	2	
9	09169-08039	WASHER	2	
10	09320-11013	CUSHION	2	
11	61412-88L00	HOOK, FRONT PANEL	1	
12	03542-05169	SCREW	2	
13	61632-93J00	SHAFT, ENGINE COVER HOOK	1	
14	61641-88L00	HOOK, ENGINE COVER	1	
15	09116-06127	BOLT (6X12)	1	
16	61633-88L00	LEVER, HOOK REAR	1	
17	09160-13014	WASHER (13.2X25X1)	1	
18	09164-14008	WASHER	1	
19	09202-04022	PIN	1	
20	09306-13007	BUSH	1	
21	09352-50901-600	HOSE (5X9X600)	1	L:600->20
22	61673-93J11	LATCH, HOOK LEVER	1	
23	01550-05107	BOLT	2	
24	61124-88L10	GROMMET, REMOCON CABLE	1	
25	09407-25402	CLAMP (L:250)	1	

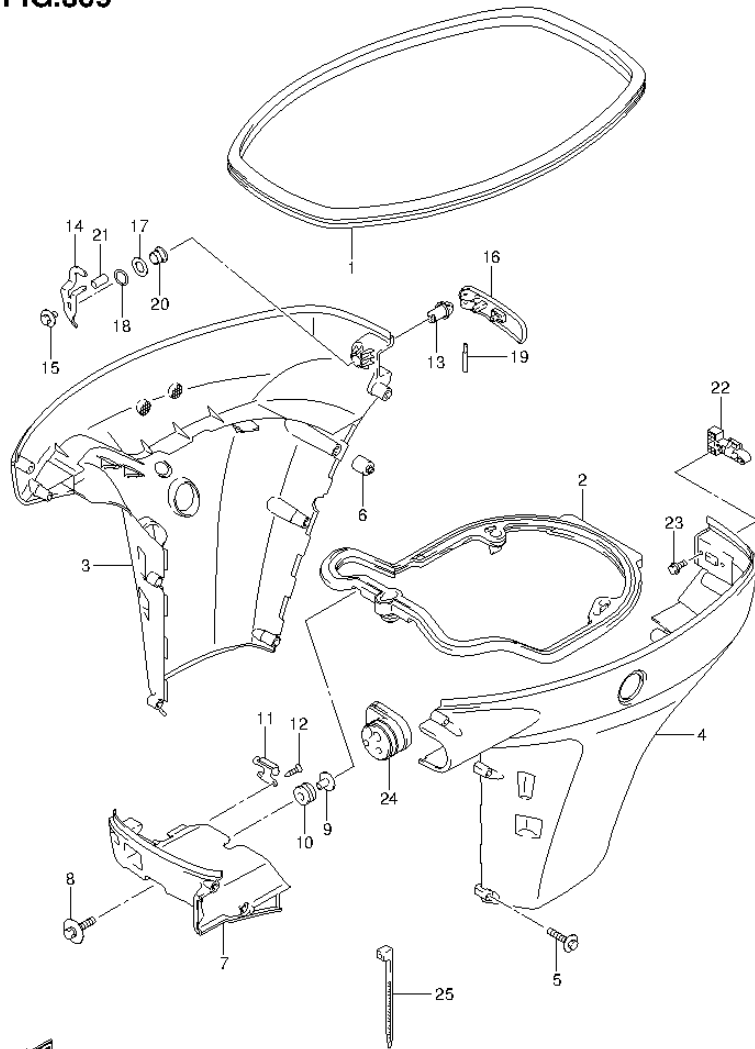


FIG.370

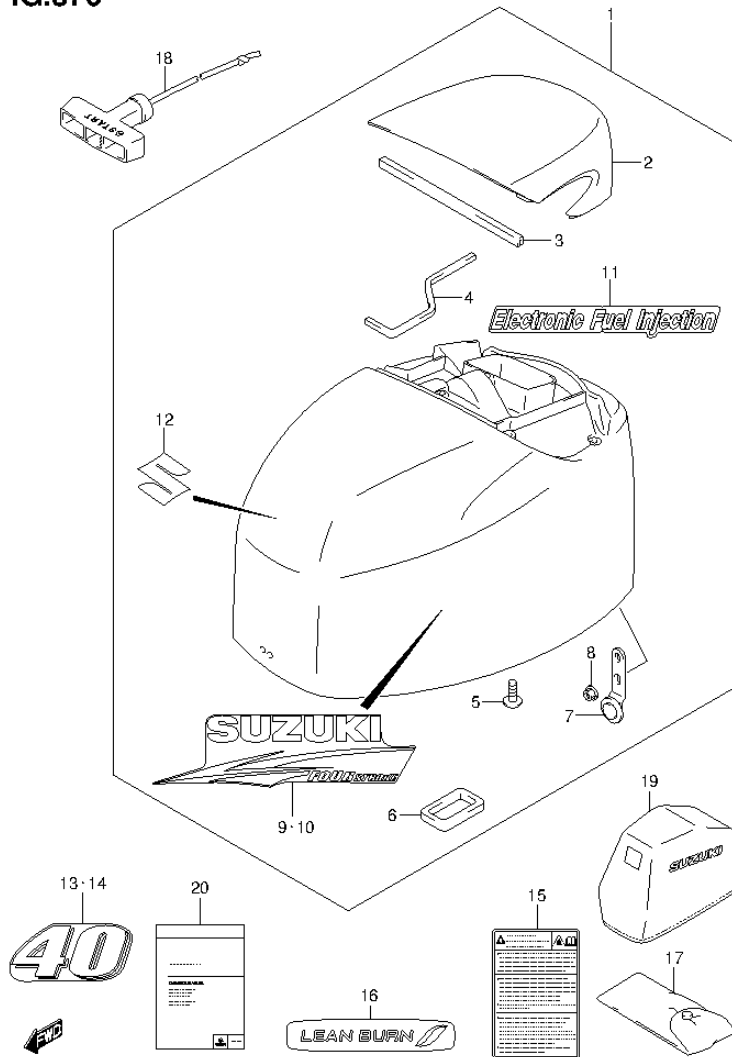


FIG.370 (3-J-7) ENGINE COVER (DF40A E01)

REF NO.	PART NO.	DESCRIPTION	Q'TY	REMARKS
1	61400-88805-OEP	COVER SET, ENGINE (BLACK)	1	
2	61431-88L10-OEP	.HANDLE, TILT UP (BLACK)	1	
3	61438-88L00	.SEAL, TILT UP HANDLE NO.1	1	
4	61439-88L00	.SEAL, TILT UP HANDLE NO.2	1	
5	03542-06169	.BOLT	5	
6	61476-88L00	.SEAL, AIR VENT	1	
7	61610-95J00	.FASTENER	1	
8	09159-06084	.NUT	1	
9	61443-88L02	.STRIPE, ENGINE COVER STBD	1	
10	61453-88L02	.STRIPE, ENGINE COVER PORT	1	
11	61446-87L12	.DECAL, EFI	1	
12	68111-18G20	.EMBLEM (S)	1	
13	61435-88L02	MARK, EMBLEM FRONT (40)	1	
14	61435-88L02	MARK, EMBLEM REAR (40)	1	
15	61458-99E70	LABEL, ENGINE COVER	1	
16	61471-98J00	DECAL, LEAN BURN	1	
17	09800-81812	TOOL ASSY	1	
18	18210-88L00	KNOB ASSY, STARTER	1	
19	68110-88L00	COVER, WEATHER	1	OPT
20-1	99011-88L30-054	MANUAL, OWNER'S	1	
20-2	99011-88L30-059	MANUAL, OWNER'S	1	

FIG.371

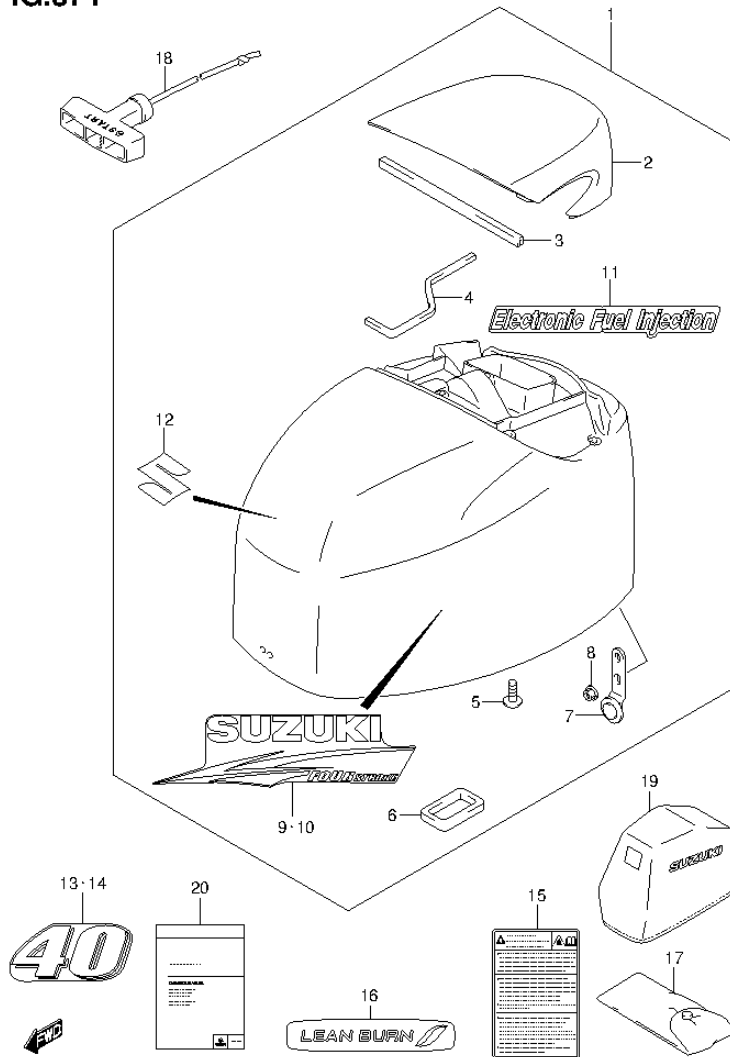


FIG.371 (3-J-8) ENGINE COVER (DF40AQH E01)

REF NO.	PART NO.	DESCRIPTION	Q'TY	REMARKS
1	61400-88805-OEP	COVER SET, ENGINE (BLACK)	1	
2	61431-88L10-OEP	.HANDLE, TILT UP (BLACK)	1	
3	61438-88L00	.SEAL, TILT UP HANDLE NO.1	1	
4	61439-88L00	.SEAL, TILT UP HANDLE NO.2	1	
5	03542-06169	.BOLT	5	
6	61476-88L00	.SEAL, AIR VENT	1	
7	61610-95J00	.FASTENER	1	
8	09159-06084	.NUT	1	
9	61443-88L02	.STRIPE, ENGINE COVER STBD	1	
10	61453-88L02	.STRIPE, ENGINE COVER PORT	1	
11	61446-87L12	.DECAL, EFI	1	
12	68111-18G20	.EMBLEM (S)	1	
13	61435-88L02	MARK, EMBLEM FRONT (40)	1	
14	61435-88L02	MARK, EMBLEM REAR (40)	1	
15	61458-99E70	LABEL, ENGINE COVER	1	
16	61471-98J00	DECAL, LEAN BURN	1	
17	09800-81812	TOOL ASSY	1	
18	18210-88L00	KNOB ASSY, STARTER	1	
19	68110-88L00	COVER, WEATHER	1	OPT
20-1	99011-88L30-054	MANUAL, OWNER'S	1	
20-2	99011-88L30-059	MANUAL, OWNER'S	1	

FIG.372

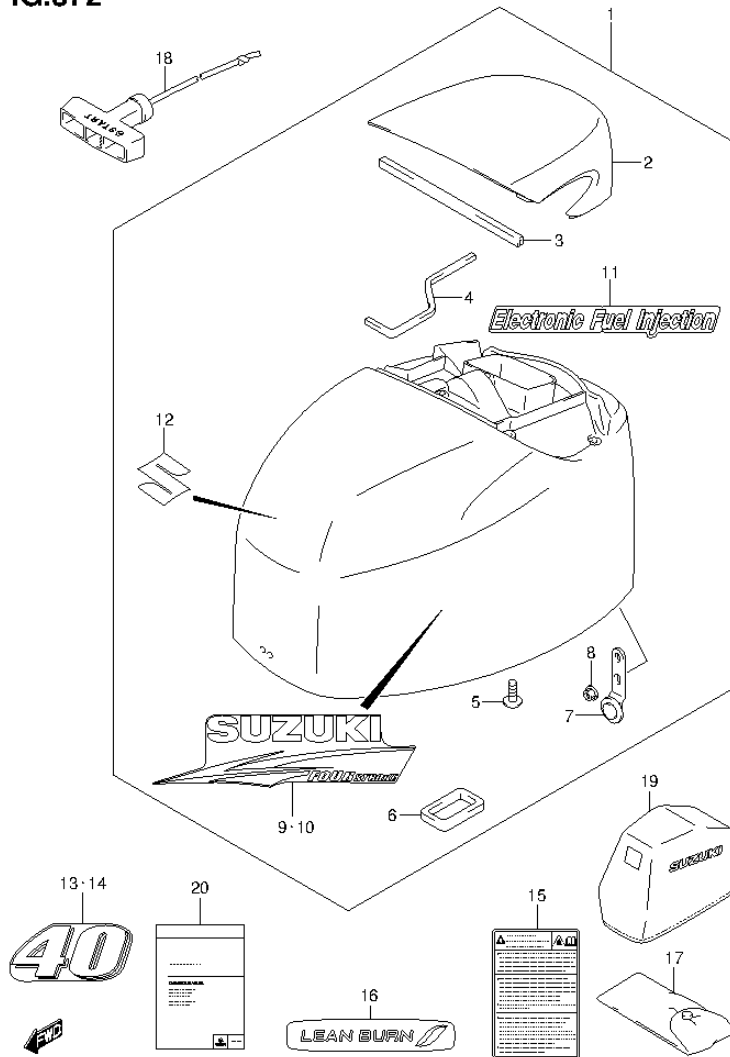


FIG.372 (3-J-9) ENGINE COVER (DF40ATH E01)

REF NO.	PART NO.	DESCRIPTION	Q'TY	REMARKS
1	61400-88805-OEP	COVER SET, ENGINE (BLACK)	1	
2	61431-88L10-OEP	.HANDLE, TILT UP (BLACK)	1	
3	61438-88L00	.SEAL, TILT UP HANDLE NO.1	1	
4	61439-88L00	.SEAL, TILT UP HANDLE NO.2	1	
5	03542-06169	.BOLT	5	
6	61476-88L00	.SEAL, AIR VENT	1	
7	61610-95J00	.FASTENER	1	
8	09159-06084	.NUT	1	
9	61443-88L02	.STRIPE, ENGINE COVER STBD	1	
10	61453-88L02	.STRIPE, ENGINE COVER PORT	1	
11	61446-87L12	.DECAL, EFI	1	
12	68111-18G20	.EMBLEM (S)	1	
13	61435-88L02	MARK, EMBLEM FRONT (40)	1	
14	61435-88L02	MARK, EMBLEM REAR (40)	1	
15	61458-99E70	LABEL, ENGINE COVER	1	
16	61471-98J00	DECAL, LEAN BURN	1	
17	09800-81812	TOOL ASSY	1	
18	18210-88L00	KNOB ASSY, STARTER	1	
19	68110-88L00	COVER, WEATHER	1	OPT
20-1	99011-88L30-054	MANUAL, OWNER'S	1	
20-2	99011-88L30-059	MANUAL, OWNER'S	1	

FIG.373

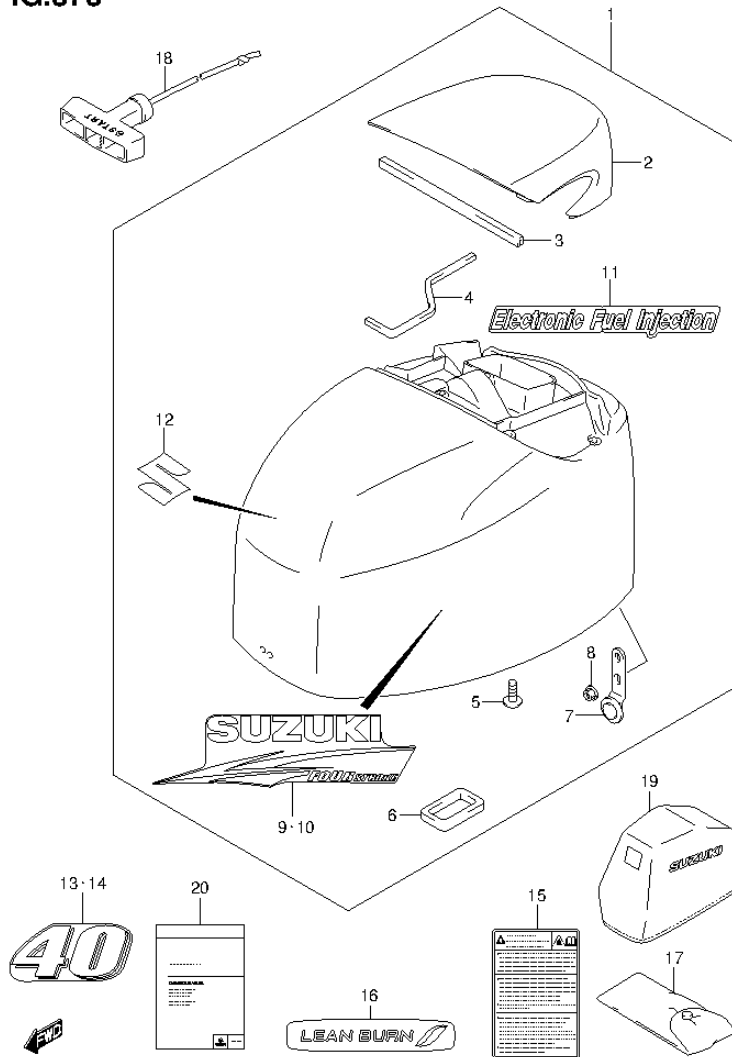


FIG.373 (3-J-10) ENGINE COVER (DF40AST E34)

REF NO.	PART NO.	DESCRIPTION	Q'TY	REMARKS
1	61400-88805-OEP	COVER SET, ENGINE (BLACK)	1	
2	61431-88L10-OEP	.HANDLE, TILT UP (BLACK)	1	
3	61438-88L00	.SEAL, TILT UP HANDLE NO.1	1	
4	61439-88L00	.SEAL, TILT UP HANDLE NO.2	1	
5	03542-06169	.BOLT	5	
6	61476-88L00	.SEAL, AIR VENT	1	
7	61610-95J00	.FASTENER	1	
8	09159-06084	.NUT	1	
9	61443-88L02	.STRIPE, ENGINE COVER STBD	1	
10	61453-88L02	.STRIPE, ENGINE COVER PORT	1	
11	61446-87L12	.DECAL, EFI	1	
12	68111-18G20	.EMBLEM (S)	1	
13	61435-88L02	MARK, EMBLEM FRONT (40)	1	
14	61435-88L02	MARK, EMBLEM REAR (40)	1	
15	61458-99E70	LABEL, ENGINE COVER	1	
16	61471-98J00	DECAL, LEAN BURN	1	
17	09800-81812	TOOL ASSY	1	
18	18210-88L00	KNOB ASSY, STARTER	1	
19	68110-88L00	COVER, WEATHER	1	OPT
20	99011-88L30-054	MANUAL, OWNER'S	1	

FIG.374

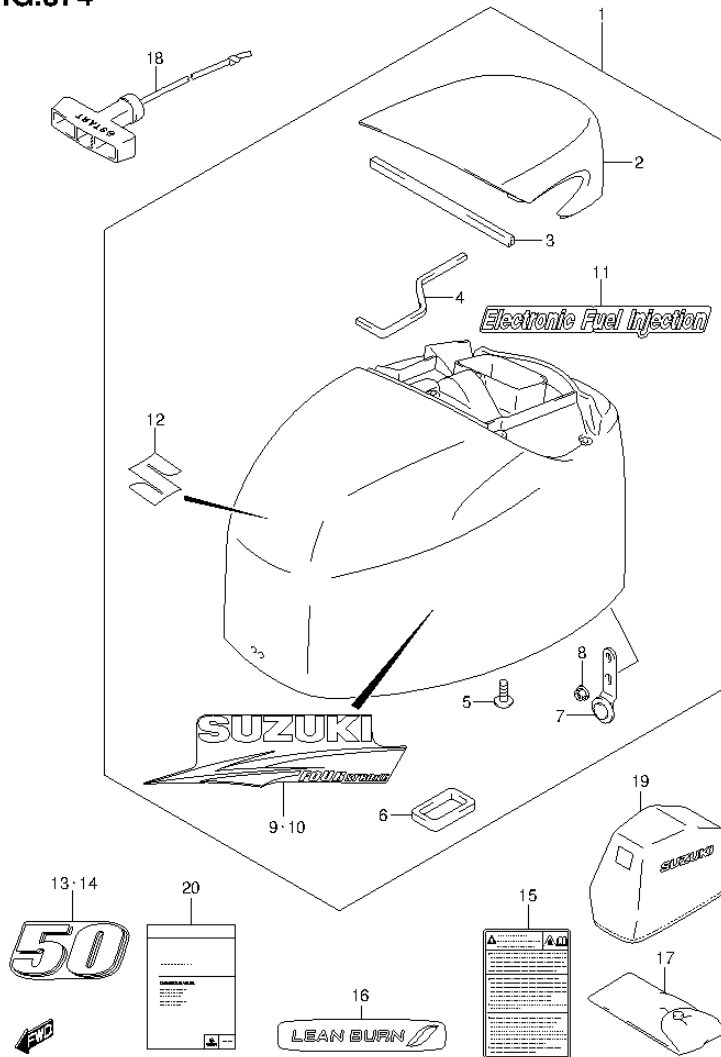


FIG.374 (3-J-11) ENGINE COVER (DF50A E01)

REF NO.	PART NO.	DESCRIPTION	Q'TY	REMARKS
1	61400-88805-OEP	COVER SET, ENGINE (BLACK)	1	
2	61431-88L10-OEP	.HANDLE, TILT UP (BLACK)	1	
3	61438-88L00	.SEAL, TILT UP HANDLE NO.1	1	
4	61439-88L00	.SEAL, TILT UP HANDLE NO.2	1	
5	03542-06169	.BOLT	5	
6	61476-88L00	.SEAL, AIR VENT	1	
7	61610-95J00	.FASTENER	1	
8	09159-06084	.NUT	1	
9	61443-88L02	.STRIPE, ENGINE COVER STBD	1	
10	61453-88L02	.STRIPE, ENGINE COVER PORT	1	
11	61446-87L12	.DECAL, EFI	1	
12	68111-18G20	.EMBLEM (S)	1	
13	61435-88L12	MARK, EMBLEM FRONT (50)	1	
14	61435-88L12	MARK, EMBLEM REAR (50)	1	
15	61458-99E70	LABEL, ENGINE COVER	1	
16	61471-98J00	DECAL, LEAN BURN	1	
17	09800-81812	TOOL ASSY	1	
18	18210-88L00	KNOB ASSY, STARTER	1	
19	68110-88L00	COVER, WEATHER	1	OPT
20-1	99011-88L30-054	MANUAL, OWNER'S	1	
20-2	99011-88L30-059	MANUAL, OWNER'S	1	

FIG.375

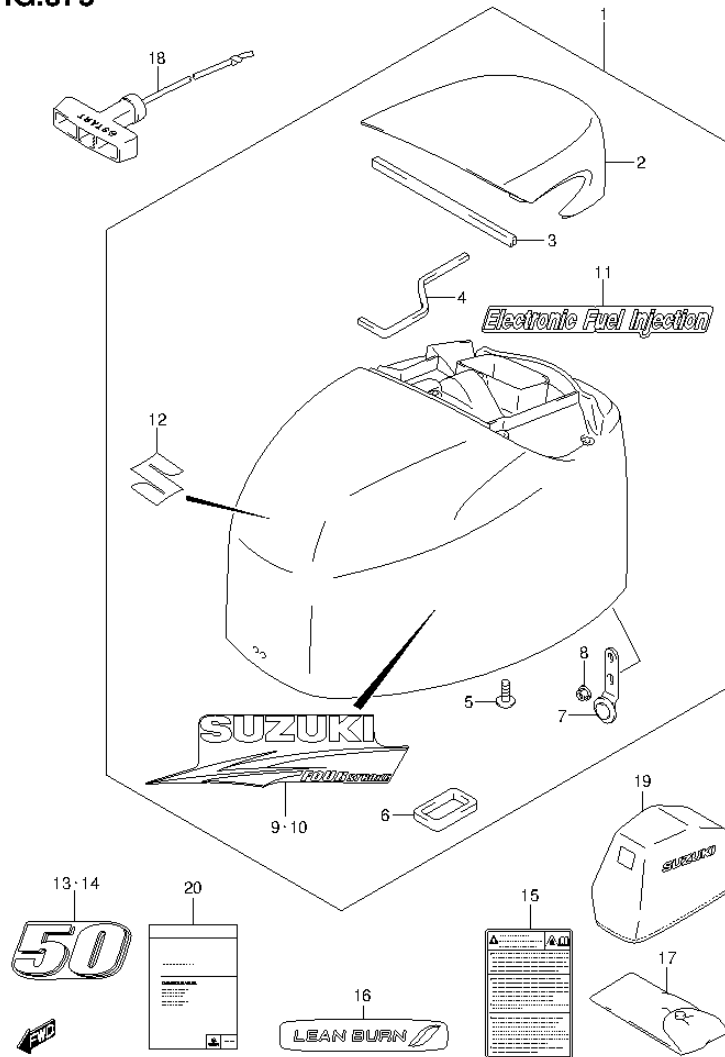


FIG.375 (3-J-12) ENGINE COVER (DF50ATH E01)

REF NO.	PART NO.	DESCRIPTION	Q'TY	REMARKS
1	61400-88805-OEP	COVER SET, ENGINE (BLACK)	1	
2	61431-88L10-OEP	.HANDLE, TILT UP (BLACK)	1	
3	61438-88L00	.SEAL, TILT UP HANDLE NO.1	1	
4	61439-88L00	.SEAL, TILT UP HANDLE NO.2	1	
5	03542-06169	.BOLT	5	
6	61476-88L00	.SEAL, AIR VENT	1	
7	61610-95J00	.FASTENER	1	
8	09159-06084	.NUT	1	
9	61443-88L02	.STRIPE, ENGINE COVER STBD	1	
10	61453-88L02	.STRIPE, ENGINE COVER PORT	1	
11	61446-87L12	.DECAL, EFI	1	
12	68111-18G20	.EMBLEM (S)	1	
13	61435-88L12	MARK, EMBLEM FRONT (50)	1	
14	61435-88L12	MARK, EMBLEM REAR (50)	1	
15	61458-99E70	LABEL, ENGINE COVER	1	
16	61471-98J00	DECAL, LEAN BURN	1	
17	09800-81812	TOOL ASSY	1	
18	18210-88L00	KNOB ASSY, STARTER	1	
19	68110-88L00	COVER, WEATHER	1	OPT
20-1	99011-88L30-054	MANUAL, OWNER'S	1	
20-2	99011-88L30-059	MANUAL, OWNER'S	1	

FIG.376

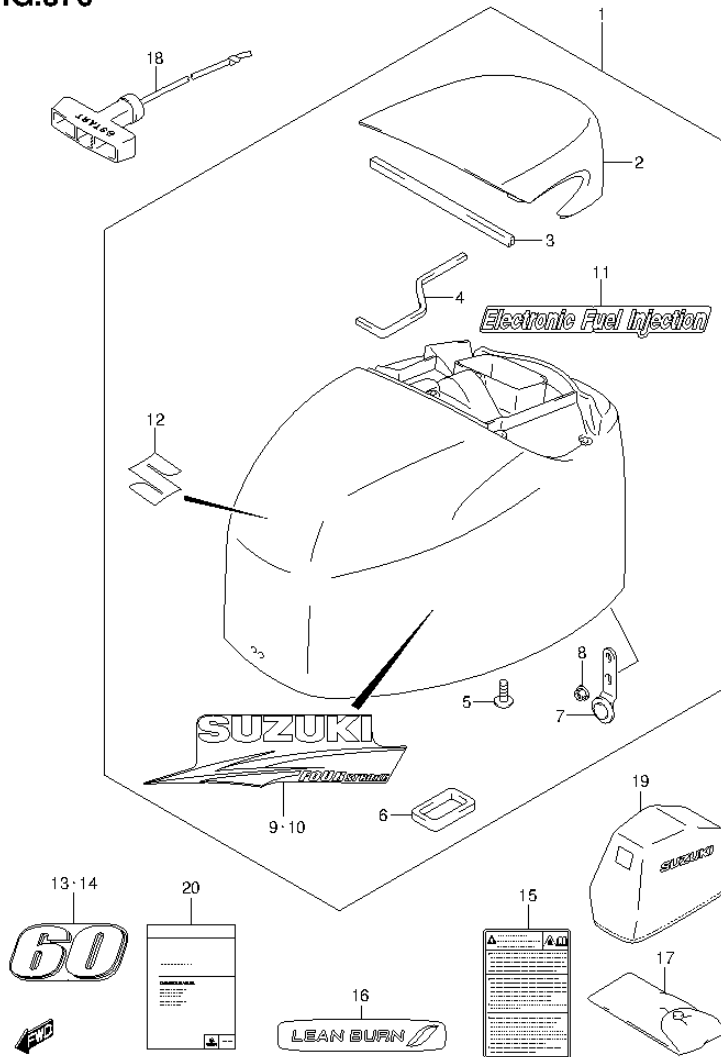


FIG.376 (3-J-13) ENGINE COVER (DF60A E01)

REF NO.	PART NO.	DESCRIPTION	Q'TY	REMARKS
1	61400-88805-OEP	COVER SET, ENGINE (BLACK)	1	
2	61431-88L10-OEP	.HANDLE, TILT UP (BLACK)	1	
3	61438-88L00	.SEAL, TILT UP HANDLE NO.1	1	
4	61439-88L00	.SEAL, TILT UP HANDLE NO.2	1	
5	03542-06169	.BOLT	5	
6	61476-88L00	.SEAL, AIR VENT	1	
7	61610-95J00	.FASTENER	1	
8	09159-06084	.NUT	1	
9	61443-88L02	.STRIPE, ENGINE COVER STBD	1	
10	61453-88L02	.STRIPE, ENGINE COVER PORT	1	
11	61446-87L12	.DECAL, EFI	1	
12	68111-18G20	.EMBLEM (S)	1	
13	61435-88L22	MARK, EMBLEM FRONT (50)	1	
14	61435-88L22	MARK, EMBLEM REAR (50)	1	
15	61458-99E70	LABEL, ENGINE COVER	1	
16	61471-98J00	DECAL, LEAN BURN	1	
17	09800-81812	TOOL ASSY	1	
18	18210-88L00	KNOB ASSY, STARTER	1	
19	68110-88L00	COVER, WEATHER	1	OPT
20-1	99011-88L30-054	MANUAL, OWNER'S	1	
20-2	99011-88L30-059	MANUAL, OWNER'S	1	

FIG.377

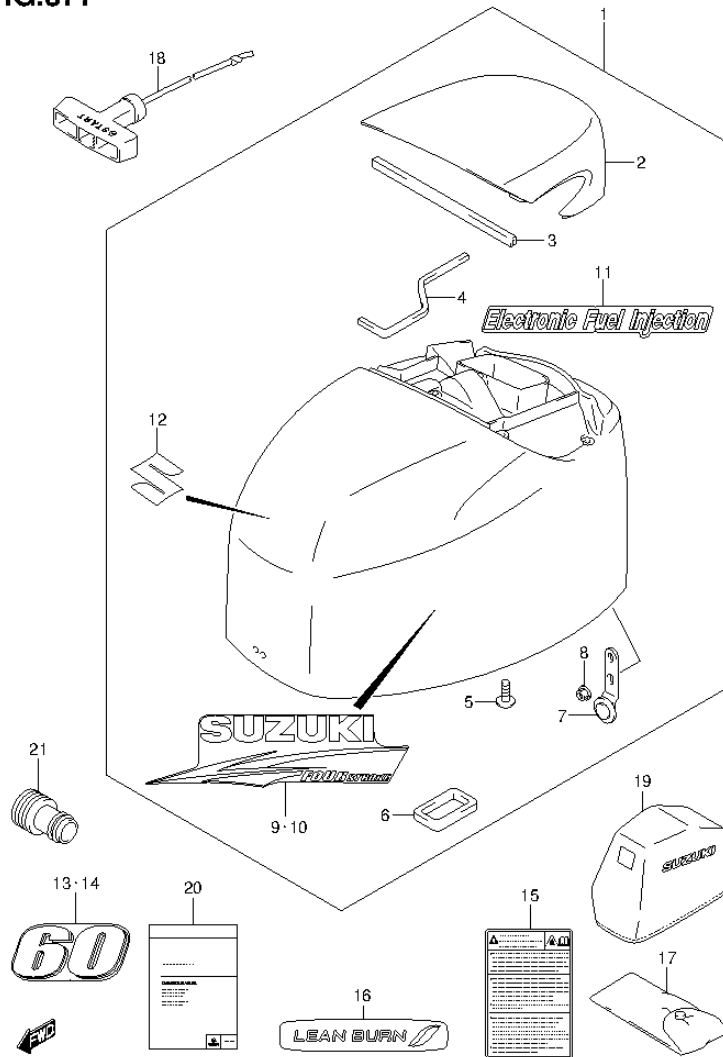


FIG.377 (3-J-14) ENGINE COVER (DF60A E40)

REF NO.	PART NO.	DESCRIPTION	Q'TY	REMARKS
1	61400-88805-OEP	COVER SET, ENGINE (BLACK)	1	
2	61431-88L10-OEP	.HANDLE, TILT UP (BLACK)	1	
3	61438-88L00	.SEAL, TILT UP HANDLE NO.1	1	
4	61439-88L00	.SEAL, TILT UP HANDLE NO.2	1	
5	03542-06169	.BOLT	5	
6	61476-88L00	.SEAL, AIR VENT	1	
7	61610-95J00	.FASTENER	1	
8	09159-06084	.NUT	1	
9	61443-88L02	.STRIPE, ENGINE COVER STBD	1	
10	61453-88L02	.STRIPE, ENGINE COVER PORT	1	
11	61446-87L12	.DECAL, EFI	1	
12	68111-18G20	.EMBLEM (S)	1	
13	61435-88L22	MARK, EMBLEM FRONT (50)	1	
14	61435-88L22	MARK, EMBLEM REAR (50)	1	
15	61458-99E70	LABEL, ENGINE COVER	1	
16	61471-98J00	DECAL, LEAN BURN	1	
17	09800-81812	TOOL ASSY	1	
18	18210-88L00	KNOB ASSY, STARTER	1	
19	68110-88L00	COVER, WEATHER	1	OPT
20	99011-88L30-059	MANUAL, OWNER'S	1	
21	17917-87L00	CONNECTOR, FLUSH WATER	1	

FIG.378

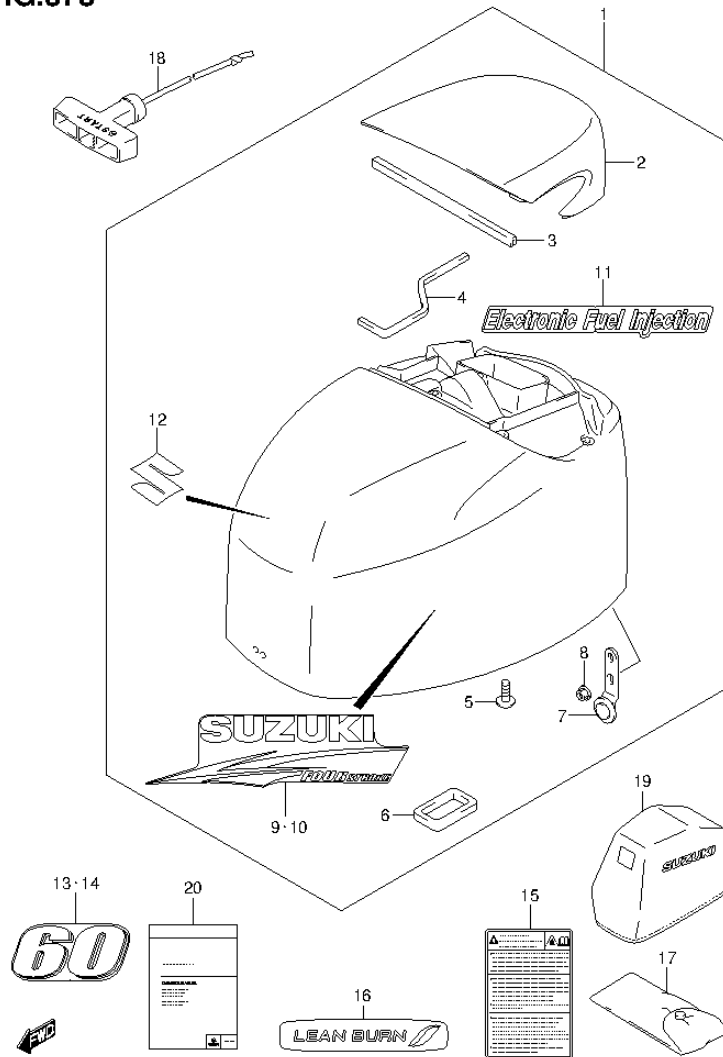


FIG.378 (3-J-15) ENGINE COVER (DF60AQH E01)

REF NO.	PART NO.	DESCRIPTION	Q'TY	REMARKS
1	61400-88805-OEP	COVER SET, ENGINE (BLACK)	1	
2	61431-88L10-OEP	.HANDLE, TILT UP (BLACK)	1	
3	61438-88L00	.SEAL, TILT UP HANDLE NO.1	1	
4	61439-88L00	.SEAL, TILT UP HANDLE NO.2	1	
5	03542-06169	.BOLT	5	
6	61476-88L00	.SEAL, AIR VENT	1	
7	61610-95J00	.FASTENER	1	
8	09159-06084	.NUT	1	
9	61443-88L02	.STRIPE, ENGINE COVER STBD	1	
10	61453-88L02	.STRIPE, ENGINE COVER PORT	1	
11	61446-87L12	.DECAL, EFI	1	
12	68111-18G20	.EMBLEM (S)	1	
13	61435-88L22	MARK, EMBLEM FRONT (50)	1	
14	61435-88L22	MARK, EMBLEM REAR (50)	1	
15	61458-99E70	LABEL, ENGINE COVER	1	
16	61471-98J00	DECAL, LEAN BURN	1	
17	09800-81812	TOOL ASSY	1	
18	18210-88L00	KNOB ASSY, STARTER	1	
19	68110-88L00	COVER, WEATHER	1	OPT
20-1	99011-88L30-054	MANUAL, OWNER'S	1	
20-2	99011-88L30-059	MANUAL, OWNER'S	1	

FIG.380

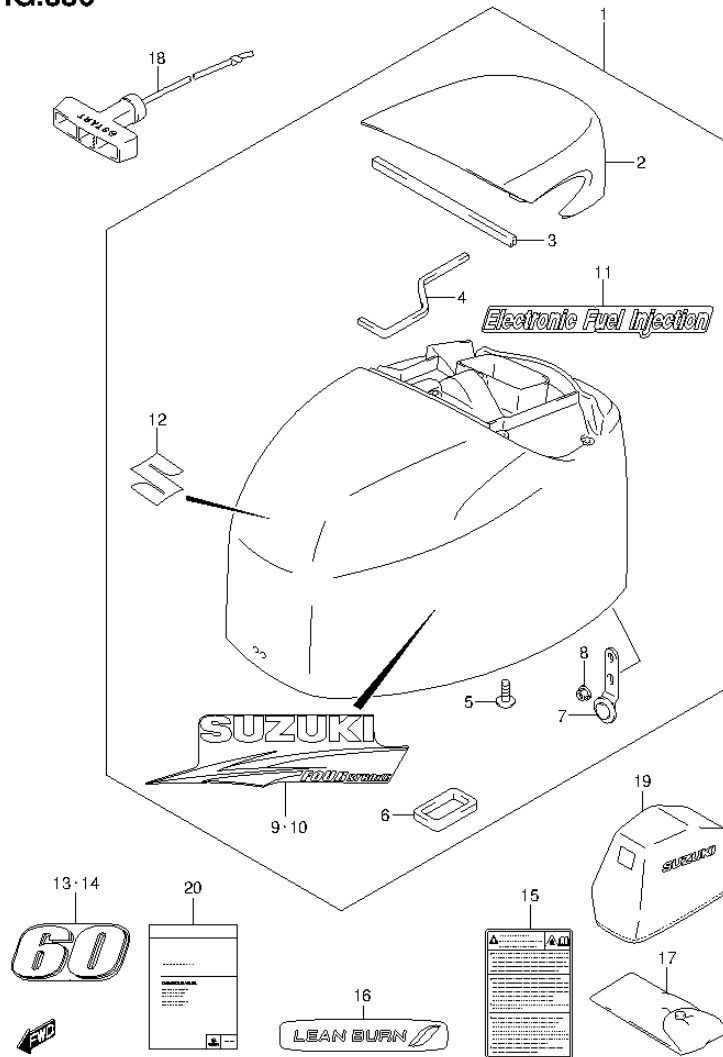


FIG.380 (3-K-3) ENGINE COVER (DF60ATH E01)

REF NO.	PART NO.	DESCRIPTION	Q'TY	REMARKS
1	61400-88805-OEP	COVER SET, ENGINE (BLACK)	1	
2	61431-88L10-OEP	.HANDLE, TILT UP (BLACK)	1	
3	61438-88L00	.SEAL, TILT UP HANDLE NO.1	1	
4	61439-88L00	.SEAL, TILT UP HANDLE NO.2	1	
5	03542-06169	.BOLT	5	
6	61476-88L00	.SEAL, AIR VENT	1	
7	61610-95J00	.FASTENER	1	
8	09159-06084	.NUT	1	
9	61443-88L02	.STRIPE, ENGINE COVER STBD	1	
10	61453-88L02	.STRIPE, ENGINE COVER PORT	1	
11	61446-87L12	.DECAL, EFI	1	
12	68111-18G20	.EMBLEM (S)	1	
13	61435-88L22	MARK, EMBLEM FRONT (50)	1	
14	61435-88L22	MARK, EMBLEM REAR (50)	1	
15	61458-99E70	LABEL, ENGINE COVER	1	
16	61471-98J00	DECAL, LEAN BURN	1	
17	09800-81812	TOOL ASSY	1	
18	18210-88L00	KNOB ASSY, STARTER	1	
19	68110-88L00	COVER, WEATHER	1	OPT
20-1	99011-88L30-054	MANUAL, OWNER'S	1	
20-2	99011-88L30-059	MANUAL, OWNER'S	1	

FIG.382

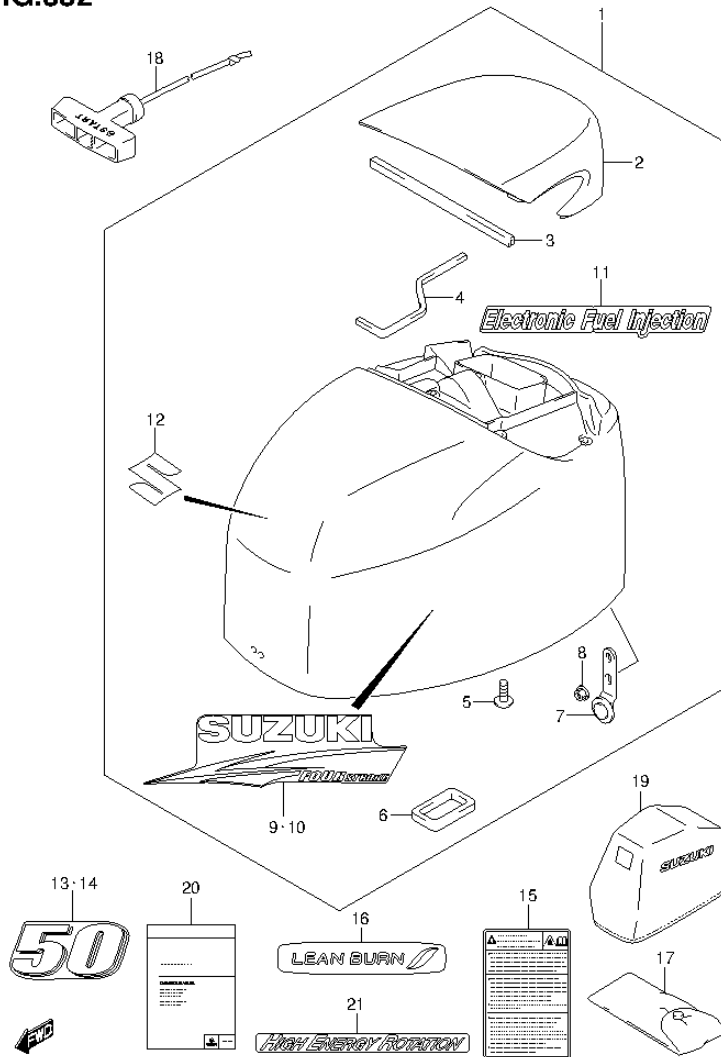


FIG.382 (3-K-5) ENGINE COVER (DF50AVT E01)

REF NO.	PART NO.	DESCRIPTION	Q'TY	REMARKS
1	61400-88805-OEP	COVER SET, ENGINE (BLACK)	1	
2	61431-88L10-OEP	.HANDLE, TILT UP (BLACK)	1	
3	61438-88L00	.SEAL, TILT UP HANDLE NO.1	1	
4	61439-88L00	.SEAL, TILT UP HANDLE NO.2	1	
5	03542-06169	.BOLT	5	
6	61476-88L00	.SEAL, AIR VENT	1	
7	61610-95J00	.FASTENER	1	
8	09159-06084	.NUT	1	
9	61443-88L02	.STRIPE, ENGINE COVER STBD	1	
10	61453-88L02	.STRIPE, ENGINE COVER PORT	1	
11	61446-87L12	.DECAL, EFI	1	
12	68111-18G20	.EMBLEM (S)	1	
13	61435-88L12	MARK, EMBLEM FRONT (50)	1	
14	61435-88L12	MARK, EMBLEM REAR (50)	1	
15	61458-99E70	LABEL, ENGINE COVER	1	
16	61471-98J00	DECAL, LEAN BURN	1	
17	09800-81812	TOOL ASSY	1	
18	18210-88L00	KNOB ASSY, STARTER	1	
19	68110-88L00	COVER, WEATHER	1	OPT
20-1	99011-88L30-054	MANUAL, OWNER'S	1	
20-2	99011-88L30-059	MANUAL, OWNER'S	1	
21	61473-88L00	DECAL (H.E.R)	1	

FIG.383

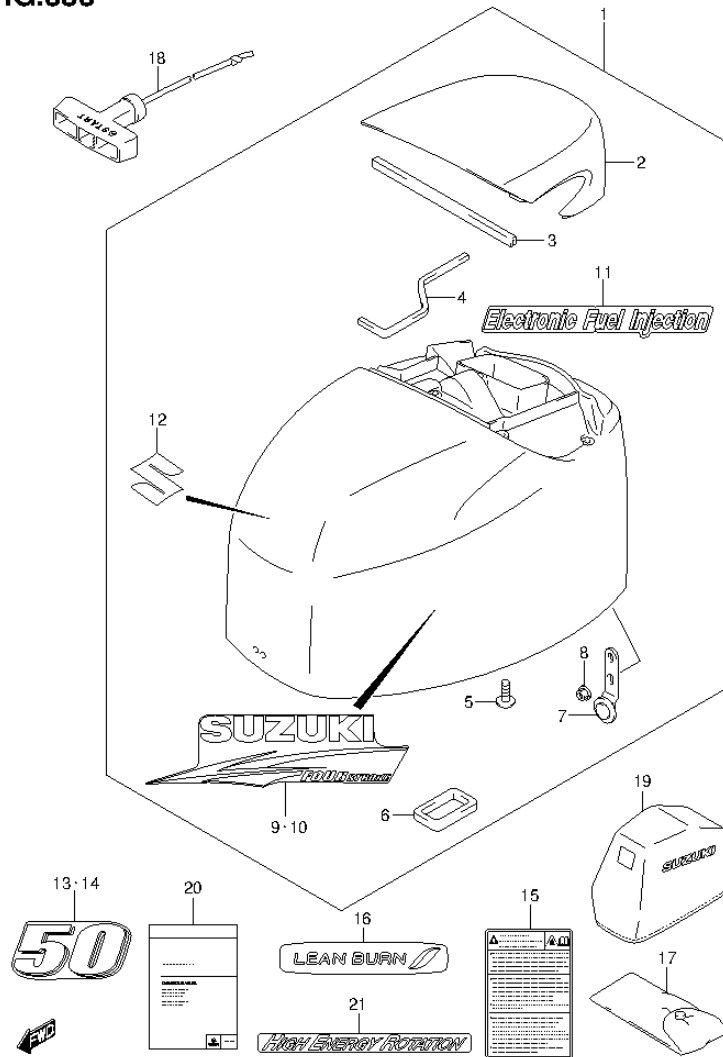


FIG.383 (3-K-6) ENGINE COVER (DF50AVTH E01)

REF NO.	PART NO.	DESCRIPTION	Q'TY	REMARKS
1	61400-88805-OEP	COVER SET, ENGINE (BLACK)	1	
2	61431-88L10-OEP	.HANDLE, TILT UP (BLACK)	1	
3	61438-88L00	.SEAL, TILT UP HANDLE NO.1	1	
4	61439-88L00	.SEAL, TILT UP HANDLE NO.2	1	
5	03542-06169	.BOLT	5	
6	61476-88L00	.SEAL, AIR VENT	1	
7	61610-95J00	.FASTENER	1	
8	09159-06084	.NUT	1	
9	61443-88L02	.STRIPE, ENGINE COVER STBD	1	
10	61453-88L02	.STRIPE, ENGINE COVER PORT	1	
11	61446-87L12	.DECAL, EFI	1	
12	68111-18G20	.EMBLEM (S)	1	
13	61435-88L12	MARK, EMBLEM FRONT (50)	1	
14	61435-88L12	MARK, EMBLEM REAR (50)	1	
15	61458-99E70	LABEL, ENGINE COVER	1	
16	61471-98J00	DECAL, LEAN BURN	1	
17	09800-81812	TOOL ASSY	1	
18	18210-88L00	KNOB ASSY, STARTER	1	
19	68110-88L00	COVER, WEATHER	1	OPT
20-1	99011-88L30-054	MANUAL, OWNER'S	1	
20-2	99011-88L30-059	MANUAL, OWNER'S	1	
21	61473-88L00	DECAL (H.E.R)	1	

FIG.384

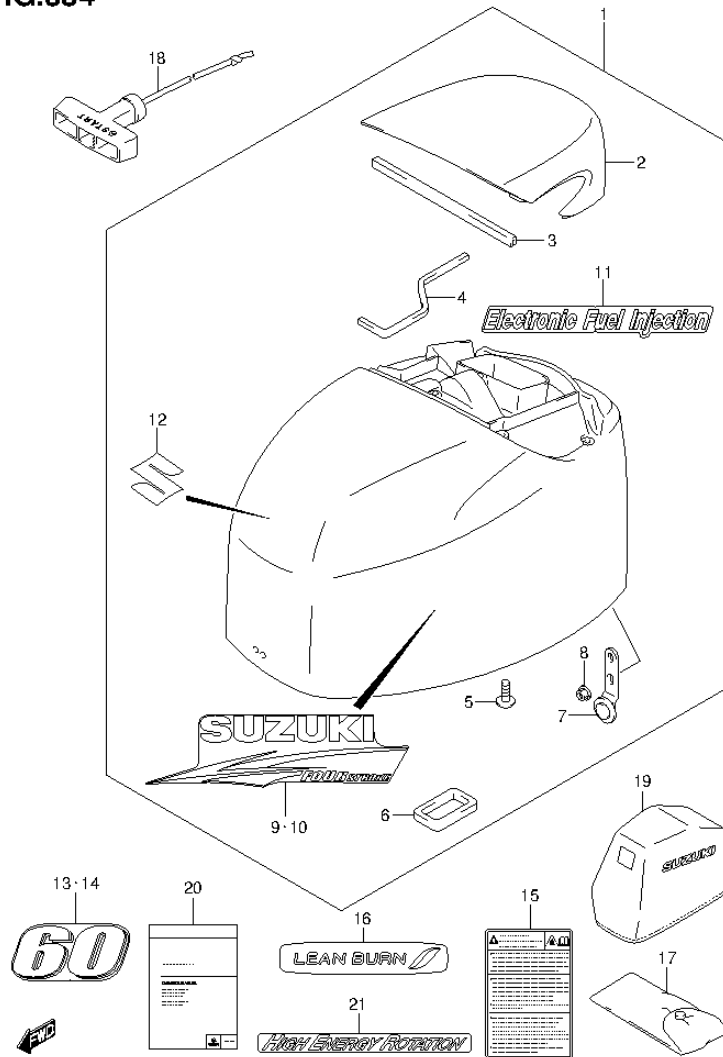


FIG.384 (3-K-7) ENGINE COVER (DF60AVT E01)

REF NO.	PART NO.	DESCRIPTION	Q'TY	REMARKS
1	61400-88805-OEP	COVER SET, ENGINE (BLACK)	1	
2	61431-88L10-OEP	.HANDLE, TILT UP (BLACK)	1	
3	61438-88L00	.SEAL, TILT UP HANDLE NO.1	1	
4	61439-88L00	.SEAL, TILT UP HANDLE NO.2	1	
5	03542-06169	.BOLT	5	
6	61476-88L00	.SEAL, AIR VENT	1	
7	61610-95J00	.FASTENER	1	
8	09159-06084	.NUT	1	
9	61443-88L02	.STRIPE, ENGINE COVER STBD	1	
10	61453-88L02	.STRIPE, ENGINE COVER PORT	1	
11	61446-87L12	.DECAL, EFI	1	
12	68111-18G20	.EMBLEM (S)	1	
13	61435-88L22	MARK, EMBLEM FRONT (50)	1	
14	61435-88L22	MARK, EMBLEM REAR (50)	1	
15	61458-99E70	LABEL, ENGINE COVER	1	
16	61471-98J00	DECAL, LEAN BURN	1	
17	09800-81812	TOOL ASSY	1	
18	18210-88L00	KNOB ASSY, STARTER	1	
19	68110-88L00	COVER, WEATHER	1	OPT
20-1	99011-88L30-054	MANUAL, OWNER'S	1	
20-2	99011-88L30-059	MANUAL, OWNER'S	1	
21	61473-88L00	DECAL (H.E.R)	1	

FIG.385

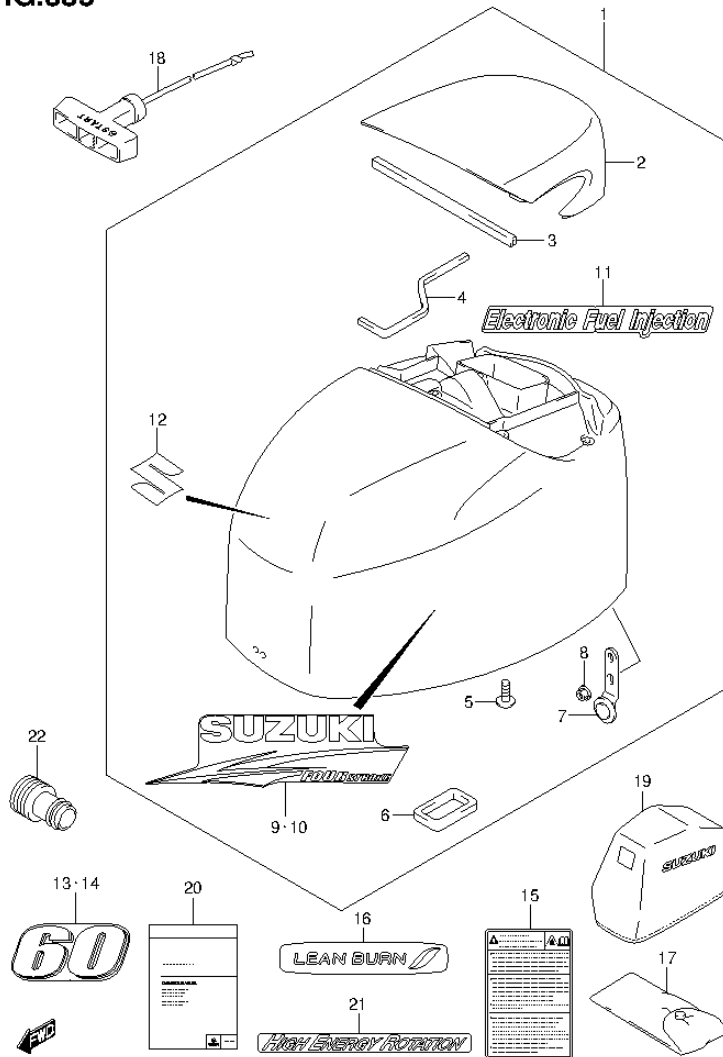


FIG.385 (3-K-8) ENGINE COVER (DF60AVT E40)

REF NO.	PART NO.	DESCRIPTION	Q'TY	REMARKS
1	61400-88805-OEP	COVER SET, ENGINE (BLACK)	1	
2	61431-88L10-OEP	.HANDLE, TILT UP (BLACK)	1	
3	61438-88L00	.SEAL, TILT UP HANDLE NO.1	1	
4	61439-88L00	.SEAL, TILT UP HANDLE NO.2	1	
5	03542-06169	.BOLT	5	
6	61476-88L00	.SEAL, AIR VENT	1	
7	61610-95J00	.FASTENER	1	
8	09159-06084	.NUT	1	
9	61443-88L02	.STRIPE, ENGINE COVER STBD	1	
10	61453-88L02	.STRIPE, ENGINE COVER PORT	1	
11	61446-87L12	.DECAL, EFI	1	
12	68111-18G20	.EMBLEM (S)	1	
13	61435-88L22	MARK, EMBLEM FRONT (50)	1	
14	61435-88L22	MARK, EMBLEM REAR (50)	1	
15	61458-99E70	LABEL, ENGINE COVER	1	
16	61471-98J00	DECAL, LEAN BURN	1	
17	09800-81812	TOOL ASSY	1	
18	18210-88L00	KNOB ASSY, STARTER	1	
19	68110-88L00	COVER, WEATHER	1	OPT
20	99011-88L30-059	MANUAL, OWNER'S	1	
21	61473-88L00	DECAL (H.E.R)	1	
22	17917-87L00	CONNECTOR, FLUSH WATER	1	

FIG.386

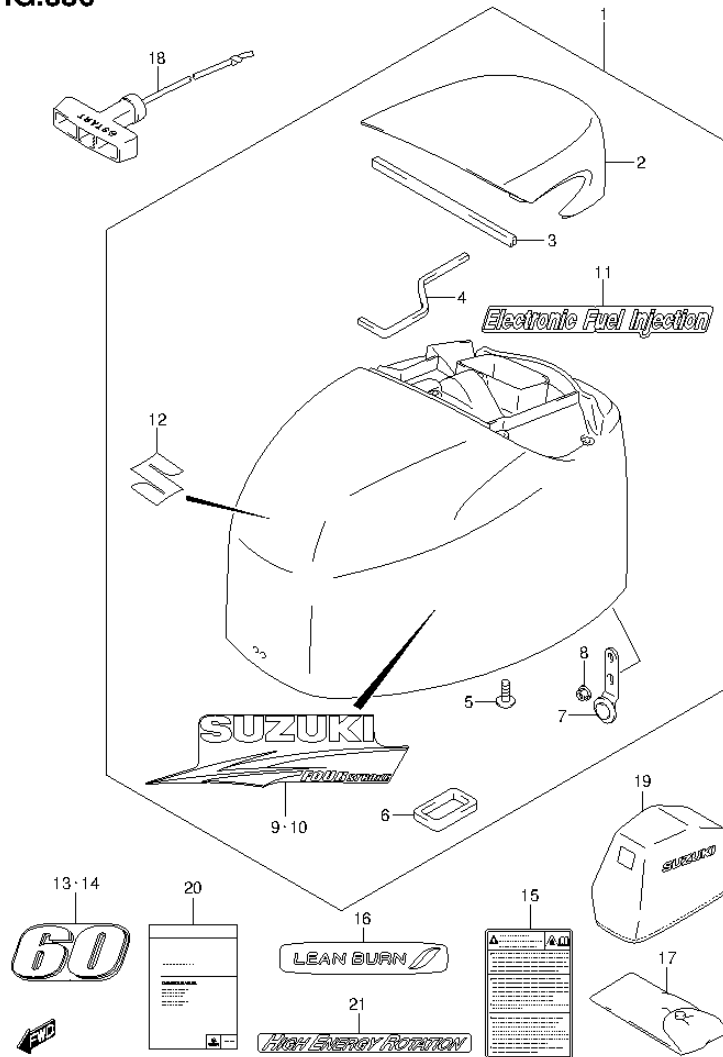


FIG.386 (3-K-9) ENGINE COVER (DF60AVTH E01)

REF NO.	PART NO.	DESCRIPTION	Q'TY	REMARKS
1	61400-88805-OEP	COVER SET, ENGINE (BLACK)	1	
2	61431-88L10-OEP	.HANDLE, TILT UP (BLACK)	1	
3	61438-88L00	.SEAL, TILT UP HANDLE NO.1	1	
4	61439-88L00	.SEAL, TILT UP HANDLE NO.2	1	
5	03542-06169	.BOLT	5	
6	61476-88L00	.SEAL, AIR VENT	1	
7	61610-95J00	.FASTENER	1	
8	09159-06084	.NUT	1	
9	61443-88L02	.STRIPE, ENGINE COVER STBD	1	
10	61453-88L02	.STRIPE, ENGINE COVER PORT	1	
11	61446-87L12	.DECAL, EFI	1	
12	68111-18G20	.EMBLEM (S)	1	
13	61435-88L22	MARK, EMBLEM FRONT (50)	1	
14	61435-88L22	MARK, EMBLEM REAR (50)	1	
15	61458-99E70	LABEL, ENGINE COVER	1	
16	61471-98J00	DECAL, LEAN BURN	1	
17	09800-81812	TOOL ASSY	1	
18	18210-88L00	KNOB ASSY, STARTER	1	
19	68110-88L00	COVER, WEATHER	1	OPT
20-1	99011-88L30-054	MANUAL, OWNER'S	1	
20-2	99011-88L30-059	MANUAL, OWNER'S	1	
21	61473-88L00	DECAL (H.E.R)	1	

FIG.387

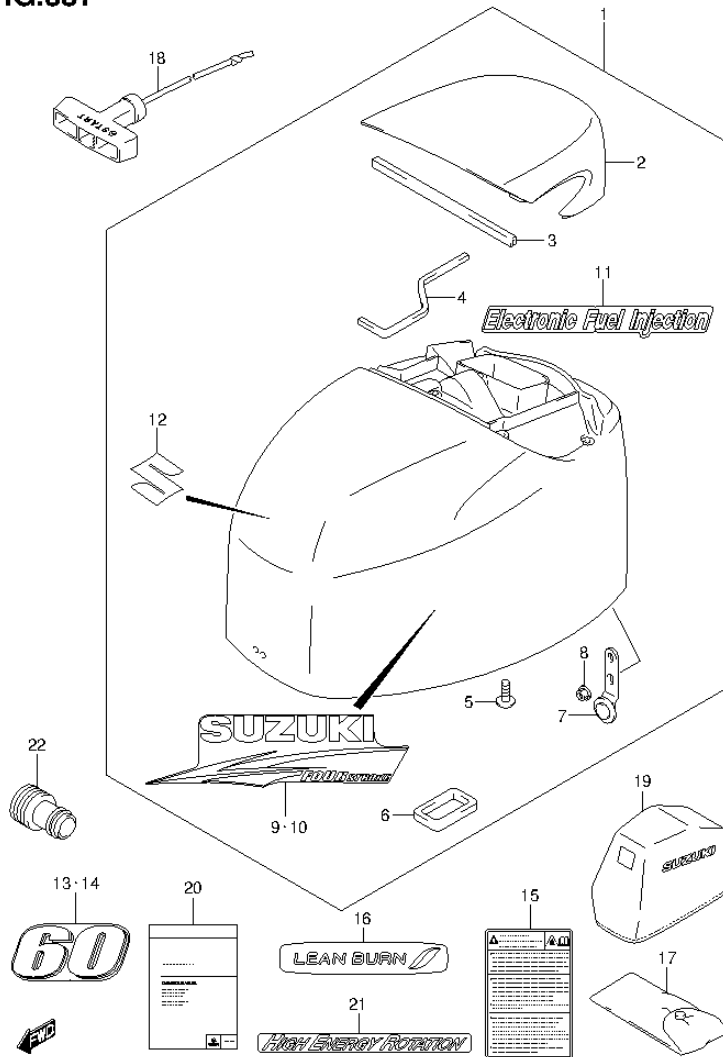


FIG.387 (3-K-10) ENGINE COVER (DF60AVTH E40)

REF NO.	PART NO.	DESCRIPTION	Q'TY	REMARKS
1	61400-88805-OEP	COVER SET, ENGINE (BLACK)	1	
2	61431-88L10-OEP	.HANDLE, TILT UP (BLACK)	1	
3	61438-88L00	.SEAL, TILT UP HANDLE NO.1	1	
4	61439-88L00	.SEAL, TILT UP HANDLE NO.2	1	
5	03542-06169	.BOLT	5	
6	61476-88L00	.SEAL, AIR VENT	1	
7	61610-95J00	.FASTENER	1	
8	09159-06084	.NUT	1	
9	61443-88L02	.STRIPE, ENGINE COVER STBD	1	
10	61453-88L02	.STRIPE, ENGINE COVER PORT	1	
11	61446-87L12	.DECAL, EFI	1	
12	68111-18G20	.EMBLEM (S)	1	
13	61435-88L22	MARK, EMBLEM FRONT (50)	1	
14	61435-88L22	MARK, EMBLEM REAR (50)	1	
15	61458-99E70	LABEL, ENGINE COVER	1	
16	61471-98J00	DECAL, LEAN BURN	1	
17	09800-81812	TOOL ASSY	1	
18	18210-88L00	KNOB ASSY, STARTER	1	
19	68110-88L00	COVER, WEATHER	1	OPT
20	99011-88L30-059	MANUAL, OWNER'S	1	
21	61473-88L00	DECAL (H.E.R)	1	
22	17917-87L00	CONNECTOR, FLUSH WATER	1	

FIG.388

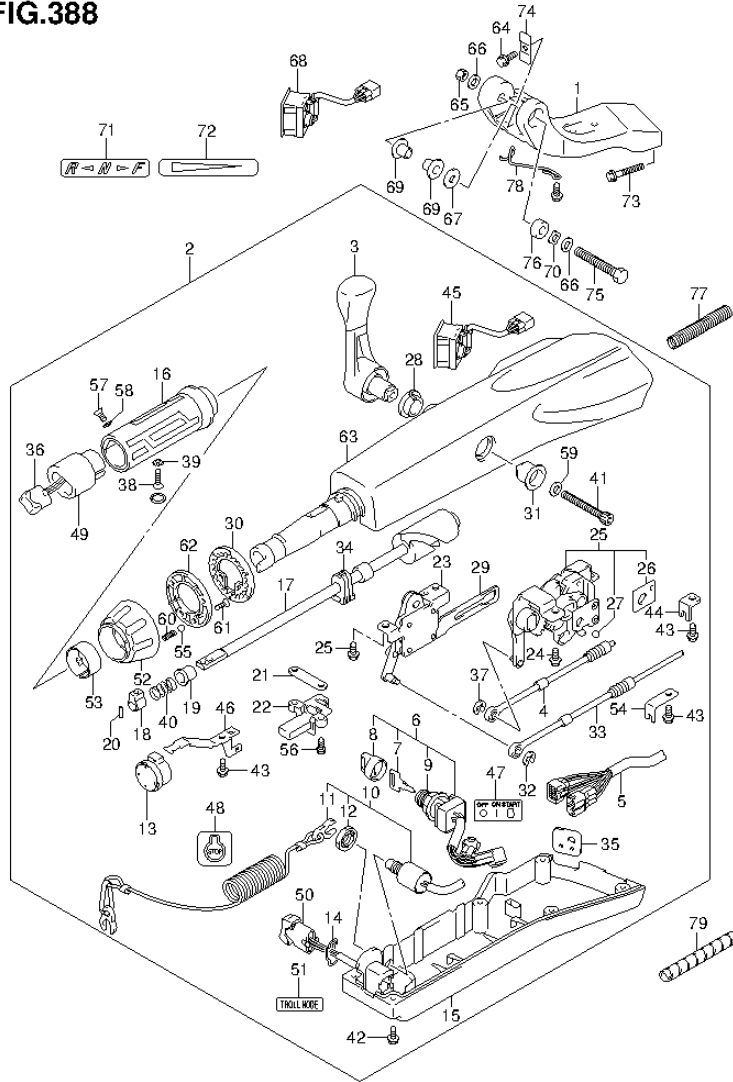


FIG.388 (3-K-11) TILLER HANDLE (DF40AQH E01)

REF NO.	PART NO.	DESCRIPTION	Q'TY	REMARKS
1	43761-88L01-OEP	BRACKET, TILLER HANDLE (BLACK)	1	
2	63110-88L30-OEP	HANDLE ASSY, TILLER (BLACK)	1	
3	21110-88L00	LEVER, SHIFT	1	
4	23230-88L00	CABLE, SHIFT	1	
5	36620-88L10	WIRE ASSY, HANDLE	1	
6	37110-87L01	SWITCH ASSY, IGNITION	1	
7-1	37141-99E00	..KEY (931)	1	
7-2	37141-99E10	..KEY (932)	1	
7-3	37141-99E20	..KEY (933)	1	
7-4	37141-99E30	..KEY (934)	1	
7-5	37141-99E40	..KEY (935)	1	
7-6	37141-99E50	..KEY (936)	1	
7-7	37141-99E60	..KEY (937)	1	
7-8	37141-99E70	..KEY (938)	1	
7-9	37141-99E80	..KEY (939)	1	
7-10	37141-99E90	..KEY (940)	1	
7-11	37141-99EA0	..KEY (941)	1	
7-12	37141-99EB0	..KEY (942)	1	
8	37143-99E00	..CAP, KEY	1	
9	37149-93J00	..CAP, CYLINDER BODY	1	
10	37820-87L00	SWITCH ASSY, EMERGENCY	1	
11	37823-92E01	..PLATE, LOCK	1	
12	37826-92E00	..NUT	1	
13	38500-93J90	BUZZER	1	
14	37852-87J00	..PLATE, TRIM SWITCH	1	
15	63121-88L00	..COVER, UNDER	1	
16	63210-88L00	GRIP, HANDLE	1	
17	63221-88L00	SHAFT, THROTTLE	1	
18	63223-92D00	STOPPER, HANDLE ROD	1	
19	63225-88L00	BUSH, HANDLE ROD	1	
20	63227-93200	PIN, HANDLE ROD	1	
21	63235-88L00	..PLATE, THROTTLE SHAFT	1	
22	63246-88L00	STOPPER THROTTLE ADJ	1	
23	63250-88L00	ARM ASSY, THROTTLE	1	

FIG.388

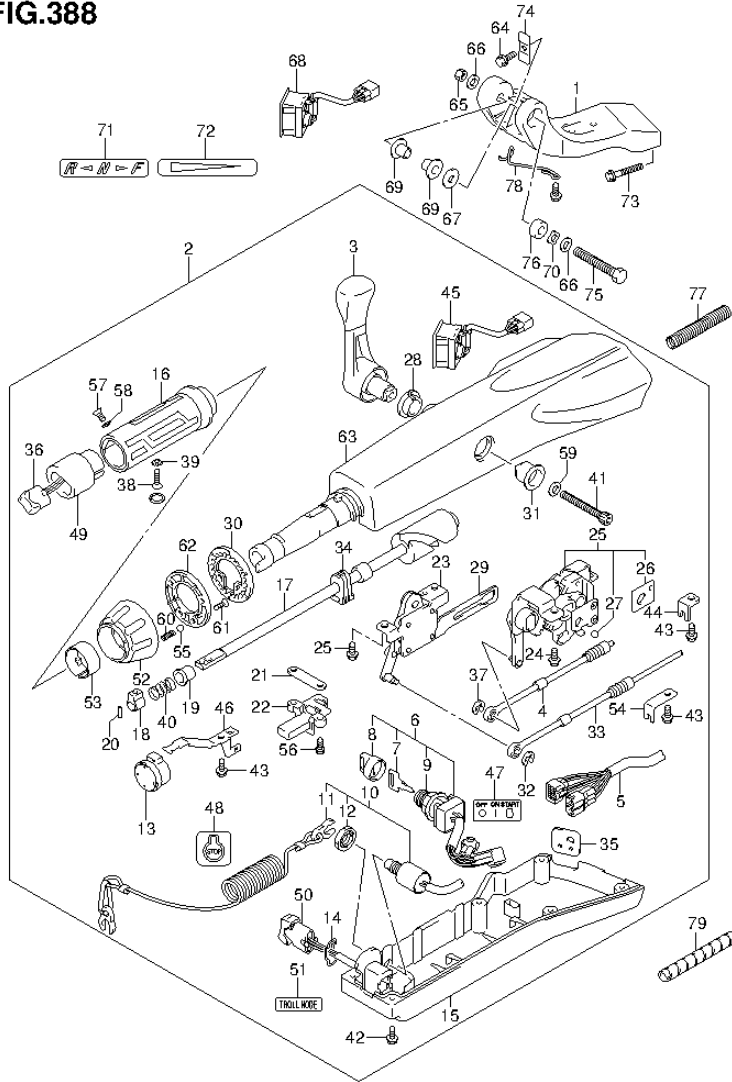


FIG.388 (3-K-12) TILLER HANDLE (DF40AQH E01)

REF NO.	PART NO.	DESCRIPTION	Q'TY	REMARKS
24	63251-87J00	.BOLT, SHIFT GEAR ASSY	4	
25	63260-88L00	.GEAR ASSY, SHIFT	1	
26	63272-87J00	..PLATE, BALL GUIDE	1	
27	63273-87J00	..BALL	1	
28	63262-87J00	.BUSH, SHIFT LEVER	1	
29	63271-87J00	.PLATE, LOCK	1	
30	63248-99J00	.PLATE, THROTTLE ADJ NOTCH	1	
31	63261-87J00	.BUSH, SHIFT GEAR	1	
32	63274-87J00	.E RING	1	
33	63610-88L00	.CABLE, THROTTLE	1	
34	37853-88L90	.GROMMET, PTT SWITCH LEAD	1	
35	63626-88L00	.GROMMET, CABLE	1	
36	67263-88L00	.CAP, SWITCH	1	
37	67292-87J00	.E RING	2	
38	09126-06015	.SCREW (6X23)	1	
39	09163-06001	.LOCK WASHER	1	
40	09440-12027	.SPRING	1	
41	21112-88L00	.BOLT SHIFT LEVER	1	
42	09125-05047	.SCREW (5X14)	6	
43	63611-88L00	.BOLT CLAMP BRACKET	3	
44	63612-87J00	.BRACKET, CLAMP	1	
45	34200-87L00	.TACHOMETER ASSY, WITH MONITOR	1	
46	36617-88L90	.CLAMP PLATE, MAIN HARNESS	1	
47	37112-88L90	.LABEL, IGNITION SWITCH	1	
48	37835-95D00	.LABEL, STOP	1	
49	37851-88L90	.BASE, PTT SWITCH	1	
50	37861-87L10	.SWITCH, TROLLING CONTROL	1	
51	37864-88L90	.LABEL, TROLL MODE	1	
52	63244-99J00	.KNOB, THROTTLE ADJ	1	
53	63245-99J00	.BUSH, THROTTLE ADJ	1	
54	63612-88L10	.BRACKET, CLAMP SHIFT	1	
55	09260-10006	.BALL	1	
56	63251-88L90	.BOLT	2	
57	37855-88L90	.SCREW, THROTTLE GRIP	1	

FIG.388

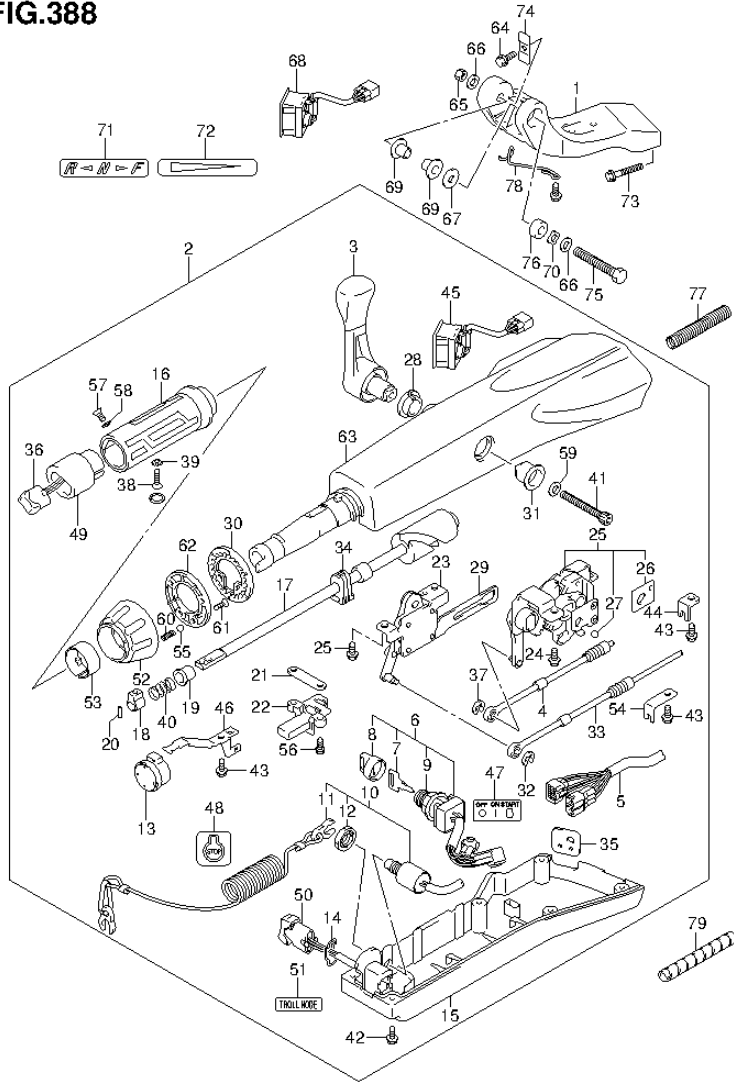


FIG.388 (3-K-13) TILLER HANDLE (DF40AQH E01)

REF NO.	PART NO.	DESCRIPTION	Q'TY	REMARKS
58	37854-88L90	.WASHER,THROTTLE GRIP	1	
59	63258-88L00	.WASHER	1	
60	09440-06037	.SPRING	1	
61	03522-05169	.SCREW	3	
62	63247-99J00	.PLATE,THROTTLE ADJ KNOB	1	
63	63111-88L00-0EP	.HOUSING, TILLER HANDLE (BLACK)	1	
64	09116-08137	BOLT (8X22)	1	
65	09159-12014	NUT	1	
66	09160-12066	WASHER (12.5X22X2.5)	2	
67	09160-12124	WASHER (12.5X32X1.5)	1	
68	34200-87L00	TACHOMETER ASSY, WITH MONITOR	1	
69	63115-88L00	BUSH, TILLER HANDLE PIVOT	2	
70	09164-13010	WASHER	1	
71	21131-88L00	MARK, CLUTCH SHIFT	1	
72	63215-93110	MARK, HANDLE GRIP	1	
73	09116-10150	BOLT (10X55)	2	
74	63132-88L00	STOPPER, TILLER HANDLE	1	
75	43762-88L00	BOLT, TILLER HANDLE PIVOT	1	
76	43768-88L00	SPACER, TILLER HANDLE	1	
77	33834-88L00	TUBE, CABLE PROTECTOR	1	
78	65793-88L00	HOLDER, FUEL HOSE	1	
79	33833-91J00	TUBE, THROTTLE CABLE (L:250)	1	L:250->150

FIG.389

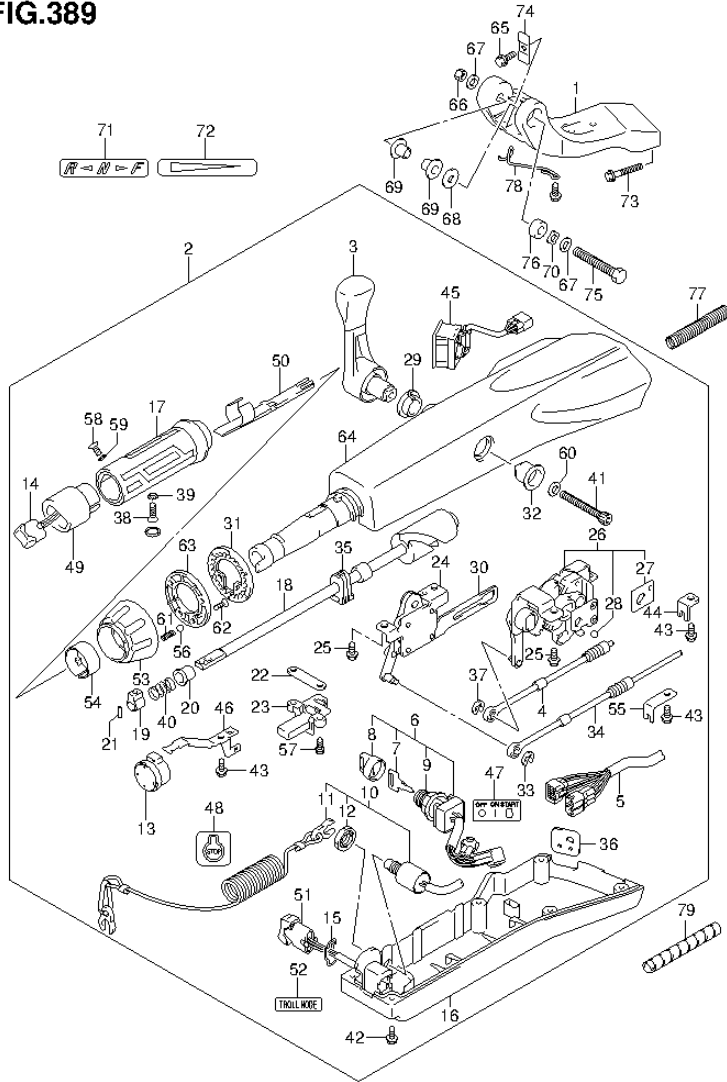


FIG.389 (3-K-14) TILLER HANDLE (DF40ATH E01)

REF NO.	PART NO.	DESCRIPTION	Q'TY	REMARKS
1	43761-88L01-OEP	BRACKET, TILLER HANDLE (BLACK)	1	
2	63110-88L20-OEP	HANDLE ASSY, TILLER (BLACK)	1	
3	21110-88L00	.LEVER, SHIFT	1	
4	23230-88L00	.CABLE, SHIFT	1	
5	36620-88L10	.WIRE ASSY, HANDLE	1	
6	37110-87L01	.SWITCH ASSY, IGNITION	1	
7-1	37141-99E00	..KEY (931)	1	
7-2	37141-99E10	..KEY (932)	1	
7-3	37141-99E20	..KEY (933)	1	
7-4	37141-99E30	..KEY (934)	1	
7-5	37141-99E40	..KEY (935)	1	
7-6	37141-99E50	..KEY (936)	1	
7-7	37141-99E60	..KEY (937)	1	
7-8	37141-99E70	..KEY (938)	1	
7-9	37141-99E80	..KEY (939)	1	
7-10	37141-99E90	..KEY (940)	1	
7-11	37141-99EA0	..KEY (941)	1	
7-12	37141-99EB0	..KEY (942)	1	
8	37143-99E00	..CAP, KEY	1	
9	37149-93J00	..CAP, CYLINDER BODY	1	
10	37820-87L00	.SWITCH ASSY, EMERGENCY	1	
11	37823-92E01	..PLATE, LOCK	1	
12	37826-92E00	..NUT	1	
13	38500-93J90	.BUZZER	1	
14	37850-87L00	.SWITCH ASSY, PTT	1	
15	37852-87J00	.PLATE, TRIM SWITCH	1	
16	63121-88L00	.COVER, UNDER	1	
17	63210-88L00	.GRIP, HANDLE	1	
18	63221-88L00	.SHAFT, THROTTLE	1	
19	63223-92D00	.STOPPER, HANDLE ROD	1	
20	63225-88L00	.BUSH, HANDLE ROD	1	
21	63227-93200	.PIN, HANDLE ROD	1	
22	63235-88L00	.PLATE, THROTTLE SHAFT	1	
23	63246-88L00	.STOPPER THROTTLE ADJ	1	

FIG.389

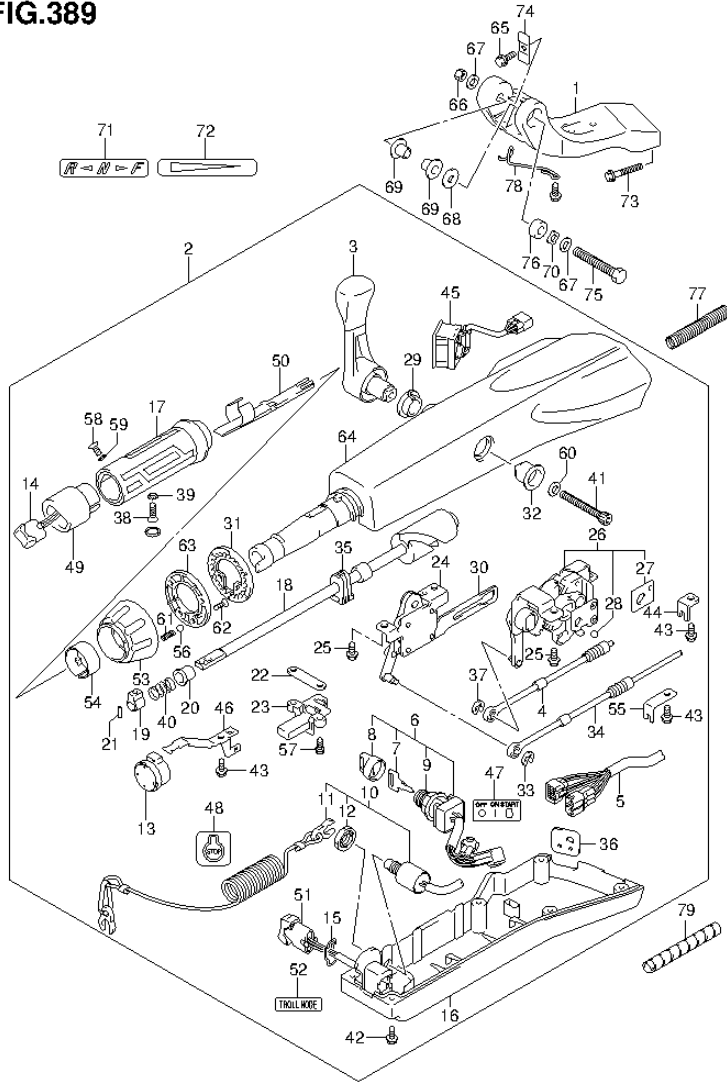


FIG.389 (3-K-15) TILLER HANDLE (DF40ATH E01)

REF NO.	PART NO.	DESCRIPTION	Q'TY	REMARKS
24	63250-88L00	ARM ASSY, THROTTLE	1	
25	63251-87J00	.BOLT, SHIFT GEAR ASSY	4	
26	63260-88L00	.GEAR ASSY, SHIFT	1	
27	63272-87J00	.PLATE, BALL GUIDE	1	
28	63273-87J00	.BALL	1	
29	63262-87J00	.BUSH, SHIFT LEVER	1	
30	63271-87J00	.PLATE, LOCK	1	
31	63248-99J00	.PLATE, THROTTLE ADJ NOTCH	1	
32	63261-87J00	.BUSH, SHIFT GEAR	1	
33	63274-87J00	E RING	1	
34	63610-88L00	.CABLE, THROTTLE	1	
35	37853-88L90	.GROMMET, PTT SWITCH LEAD	1	
36	63626-88L00	.GROMMET, CABLE	1	
37	67292-87J00	E RING	2	
38	09126-06015	.SCREW (6X23)	1	
39	09163-06001	.LOCK WASHER	1	
40	09440-12027	.SPRING	1	
41	21112-88L00	.BOLT SHIFT LEVER	1	
42	09125-05047	.SCREW (5X14)	6	
43	63611-88L00	.BOLT CLAMP BRACKET	3	
44	63612-87J00	.BRACKET, CLAMP	1	
45	34200-87L00	.TACHOMETER ASSY, WITH MONITOR	1	
46	36617-88L90	.CLAMP PLATE, MAIN HARNESS	1	
47	37112-88L90	.LABEL, IGNITION SWITCH	1	
48	37835-95D00	.LABEL, STOP	1	
49	37851-88L90	.BASE, PTT SWITCH	1	
50	37852-88L90	.HARNESS, GUIDE	1	
51	37861-87L10	.SWITCH, TROLLING CONTROL	1	
52	37864-88L90	.LABEL, TROLL MODE	1	
53	63244-99J00	.KNOB, THROTTLE ADJ	1	
54	63245-99J00	.BUSH, THROTTLE ADJ	1	
55	63612-88L10	.BRACKET, CLAMP SHIFT	1	
56	09260-10006	.BALL	1	
57	63251-88L90	.BOLT	2	

FIG.389

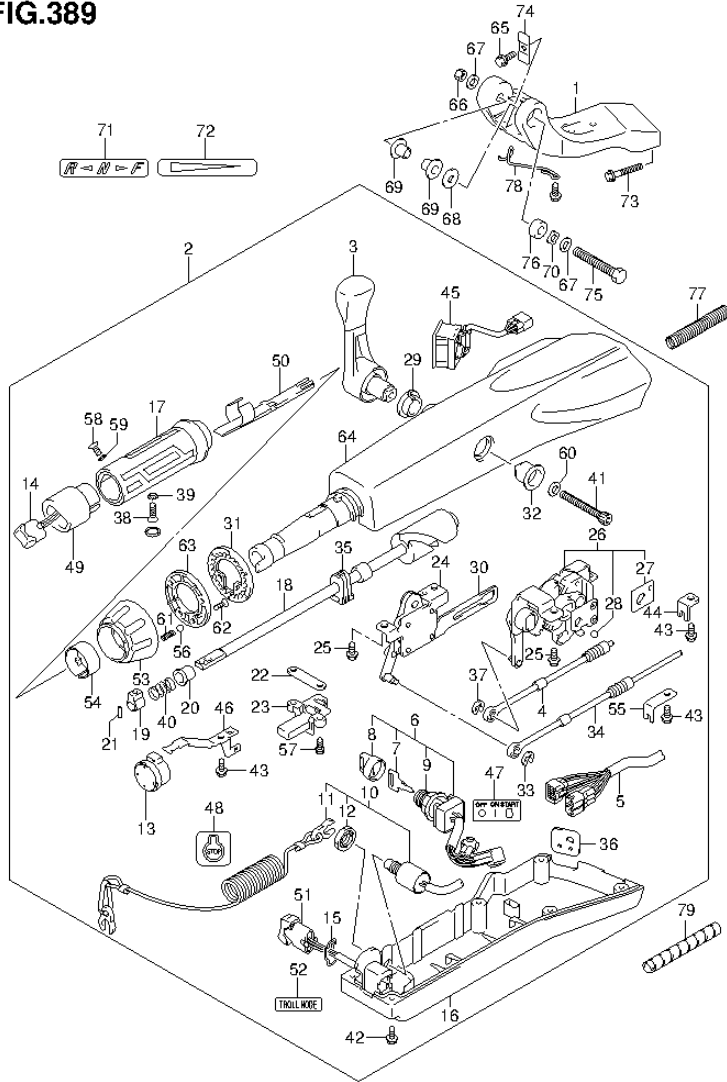


FIG.389 (3-L-2) TILLER HANDLE (DF40ATH E01)

REF NO.	PART NO.	DESCRIPTION	Q'TY	REMARKS
58	37855-88L90	.SCREW,THROTTLE GRIP	1	
59	37854-88L90	.WASHER,THROTTLE GRIP	1	
60	63258-88L00	.WASHER	1	
61	09440-06037	.SPRING	1	
62	03522-05169	.SCREW	3	
63	63247-99J00	.PLATE,THROTTLE ADJ KNOB	1	
64	63111-88L00-0EP	.HOUSING, TILLER HANDLE (BLACK)	1	
65	09116-08137	BOLT (8X22)	1	
66	09159-12014	NUT	1	
67	09160-12066	WASHER (12.5X22X2.5)	2	
68	09160-12124	WASHER (12.5X32X1.5)	1	
69	63115-88L00	BUSH, TILLER HANDLE PIVOT	2	
70	09164-13010	WASHER	1	
71	21131-88L00	MARK, CLUTCH SHIFT	1	
72	63215-93110	MARK, HANDLE GRIP	1	
73	09116-10150	BOLT (10X55)	2	
74	63132-88L00	STOPPER, TILLER HANDLE	1	
75	43762-88L00	BOLT, TILLER HANDLE PIVOT	1	
76	43768-88L00	SPACER, TILLER HANDLE	1	
77	33834-88L00	TUBE, CABLE PROTECTOR	1	
78	65793-88L00	HOLDER, FUEL HOSE	1	
79	33833-91J00	TUBE, THROTTLE CABLE (L:250)	1	L:250->150

FIG.390

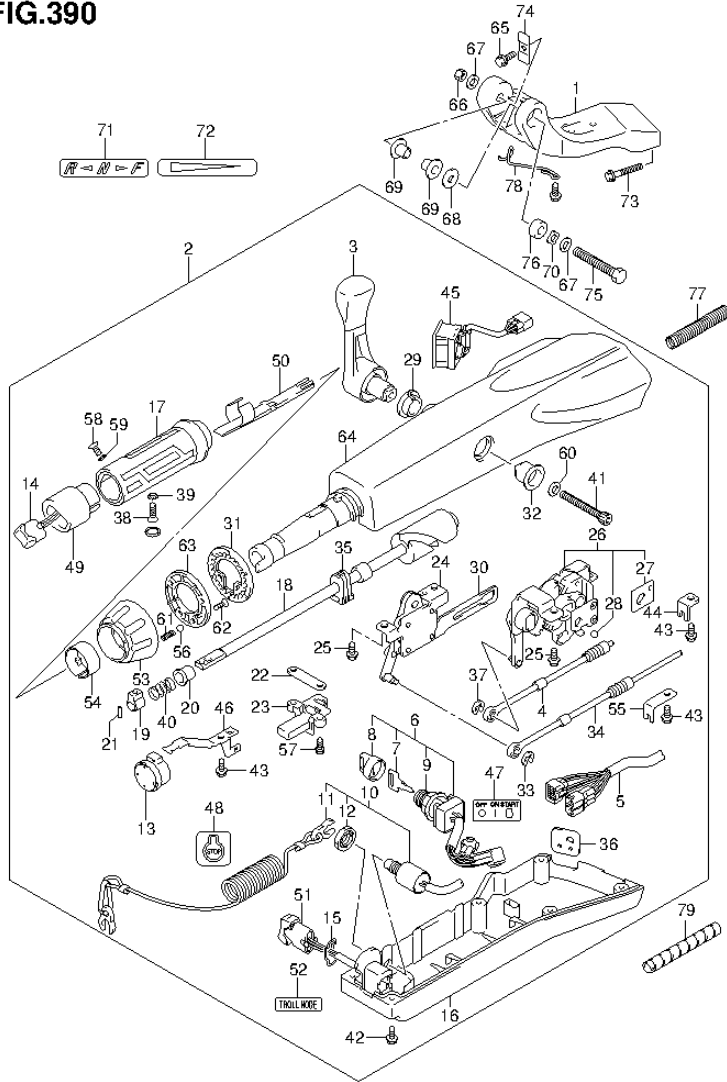


FIG.390 (3-L-3) TILLER HANDLE (DF50ATH E01)

REF NO.	PART NO.	DESCRIPTION	Q'TY	REMARKS
1	43761-88L01-OEP	BRACKET, TILLER HANDLE (BLACK)	1	
2	63110-88L20-OEP	HANDLE ASSY, TILLER (BLACK)	1	
3	21110-88L00	.LEVER, SHIFT	1	
4	23230-88L00	.CABLE, SHIFT	1	
5	36620-88L10	.WIRE ASSY, HANDLE	1	
6	37110-87L01	.SWITCH ASSY, IGNITION	1	
7-1	37141-99E00	..KEY (931)	1	
7-2	37141-99E10	..KEY (932)	1	
7-3	37141-99E20	..KEY (933)	1	
7-4	37141-99E30	..KEY (934)	1	
7-5	37141-99E40	..KEY (935)	1	
7-6	37141-99E50	..KEY (936)	1	
7-7	37141-99E60	..KEY (937)	1	
7-8	37141-99E70	..KEY (938)	1	
7-9	37141-99E80	..KEY (939)	1	
7-10	37141-99E90	..KEY (940)	1	
7-11	37141-99EA0	..KEY (941)	1	
7-12	37141-99EB0	..KEY (942)	1	
8	37143-99E00	..CAP, KEY	1	
9	37149-93J00	..CAP, CYLINDER BODY	1	
10	37820-87L00	.SWITCH ASSY, EMERGENCY	1	
11	37823-92E01	..PLATE, LOCK	1	
12	37826-92E00	..NUT	1	
13	38500-93J90	.BUZZER	1	
14	37850-87L00	.SWITCH ASSY, PTT	1	
15	37852-87J00	.PLATE, TRIM SWITCH	1	
16	63121-88L00	.COVER, UNDER	1	
17	63210-88L00	.GRIP, HANDLE	1	
18	63221-88L00	.SHAFT, THROTTLE	1	
19	63223-92D00	.STOPPER, HANDLE ROD	1	
20	63225-88L00	.BUSH, HANDLE ROD	1	
21	63227-93200	.PIN, HANDLE ROD	1	
22	63235-88L00	.PLATE, THROTTLE SHAFT	1	
23	63246-88L00	.STOPPER THROTTLE ADJ	1	

FIG.390

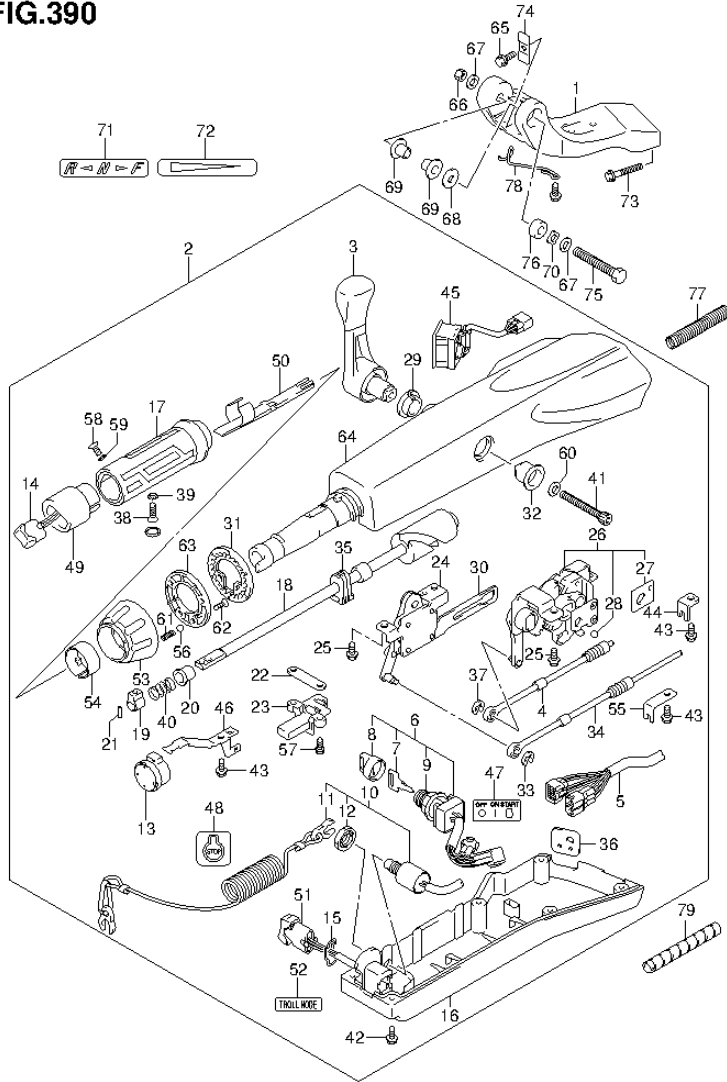


FIG.390 (3-L-4) TILLER HANDLE (DF50ATH E01)

REF NO.	PART NO.	DESCRIPTION	Q'TY	REMARKS
24	63250-88L00	ARM ASSY, THROTTLE	1	
25	63251-87J00	.BOLT, SHIFT GEAR ASSY	4	
26	63260-88L00	.GEAR ASSY, SHIFT	1	
27	63272-87J00	.PLATE, BALL GUIDE	1	
28	63273-87J00	.BALL	1	
29	63262-87J00	.BUSH, SHIFT LEVER	1	
30	63271-87J00	.PLATE, LOCK	1	
31	63248-99J00	.PLATE, THROTTLE ADJ NOTCH	1	
32	63261-87J00	.BUSH, SHIFT GEAR	1	
33	63274-87J00	E RING	1	
34	63610-88L00	.CABLE, THROTTLE	1	
35	37853-88L90	.GROMMET, PTT SWITCH LEAD	1	
36	63626-88L00	.GROMMET, CABLE	1	
37	67292-87J00	E RING	2	
38	09126-06015	.SCREW (6X23)	1	
39	09163-06001	.LOCK WASHER	1	
40	09440-12027	.SPRING	1	
41	21112-88L00	.BOLT SHIFT LEVER	1	
42	09125-05047	.SCREW (5X14)	6	
43	63611-88L00	.BOLT CLAMP BRACKET	3	
44	63612-87J00	.BRACKET, CLAMP	1	
45	34200-87L00	.TACHOMETER ASSY, WITH MONITOR	1	
46	36617-88L90	.CLAMP PLATE, MAIN HARNESS	1	
47	37112-88L90	.LABEL, IGNITION SWITCH	1	
48	37835-95D00	.LABEL, STOP	1	
49	37851-88L90	.BASE, PTT SWITCH	1	
50	37852-88L90	.HARNESS, GUIDE	1	
51	37861-87L10	.SWITCH, TROLLING CONTROL	1	
52	37864-88L90	.LABEL, TROLL MODE	1	
53	63244-99J00	.KNOB, THROTTLE ADJ	1	
54	63245-99J00	.BUSH, THROTTLE ADJ	1	
55	63612-88L10	.BRACKET, CLAMP SHIFT	1	
56	09260-10006	.BALL	1	
57	63251-88L90	.BOLT	2	

FIG.390

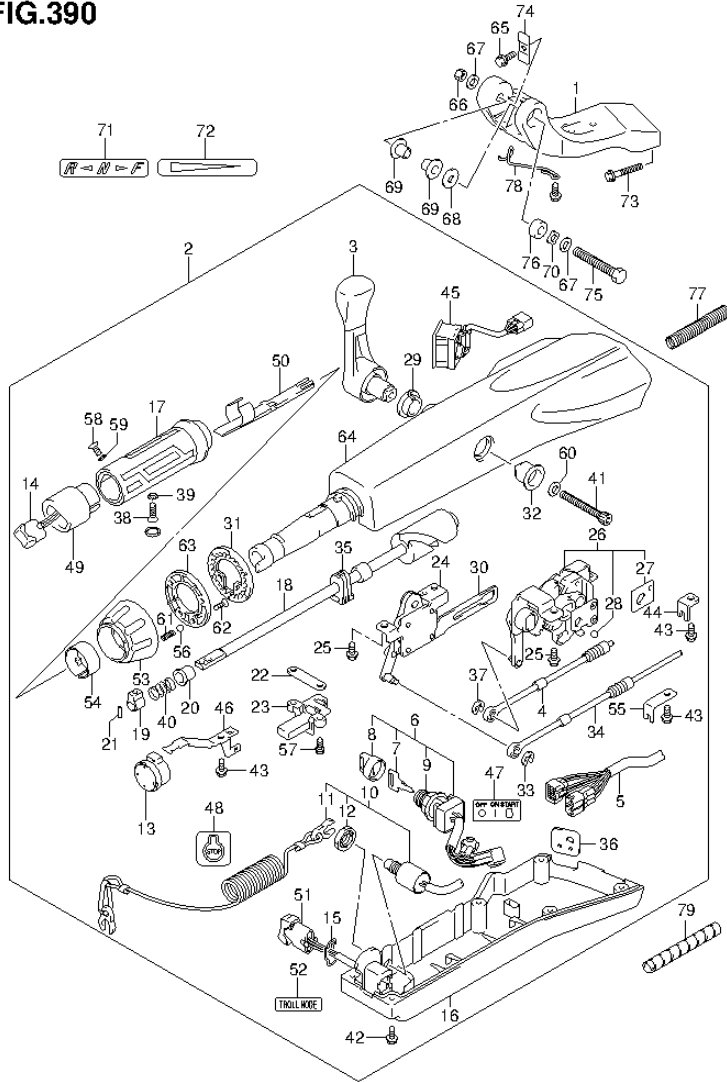


FIG.390 (3-L-5) TILLER HANDLE (DF50ATH E01)

REF NO.	PART NO.	DESCRIPTION	Q'TY	REMARKS
58	37855-88L90	.SCREW,THROTTLE GRIP	1	
59	37854-88L90	.WASHER,THROTTLE GRIP	1	
60	63258-88L00	.WASHER	1	
61	09440-06037	.SPRING	1	
62	03522-05169	.SCREW	3	
63	63247-99J00	.PLATE,THROTTLE ADJ KNOB	1	
64	63111-88L00-0EP	.HOUSING, TILLER HANDLE (BLACK)	1	
65	09116-08137	BOLT (8X22)	1	
66	09159-12014	NUT	1	
67	09160-12066	WASHER (12.5X22X2.5)	2	
68	09160-12124	WASHER (12.5X32X1.5)	1	
69	63115-88L00	BUSH, TILLER HANDLE PIVOT	2	
70	09164-13010	WASHER	1	
71	21131-88L00	MARK, CLUTCH SHIFT	1	
72	63215-93110	MARK, HANDLE GRIP	1	
73	09116-10150	BOLT (10X55)	2	
74	63132-88L00	STOPPER, TILLER HANDLE	1	
75	43762-88L00	BOLT, TILLER HANDLE PIVOT	1	
76	43768-88L00	SPACER, TILLER HANDLE	1	
77	33834-88L00	TUBE, CABLE PROTECTOR	1	
78	65793-88L00	HOLDER, FUEL HOSE	1	
79	33833-91J00	TUBE, THROTTLE CABLE (L:250)	1	L:250->150

FIG.391

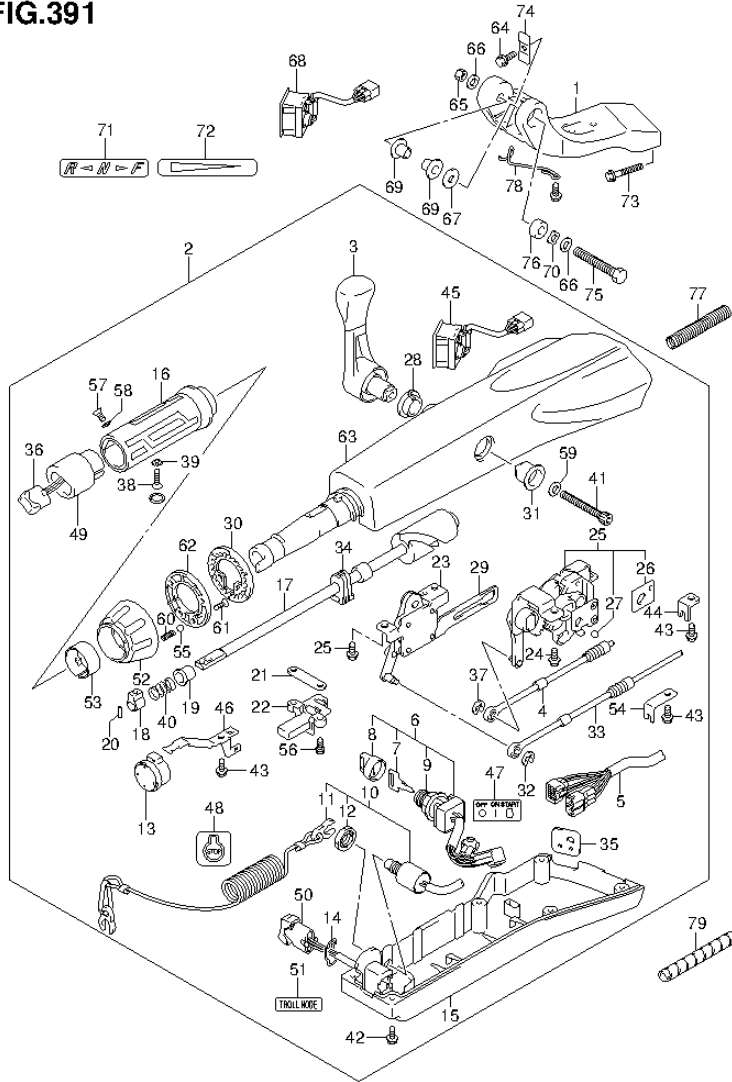


FIG.391 (3-L-6) TILLER HANDLE (DF60AQH E01)

REF NO.	PART NO.	DESCRIPTION	Q'TY	REMARKS
1	43761-88L01-OEP	BRACKET, TILLER HANDLE (BLACK)	1	
2	63110-88L30-OEP	HANDLE ASSY, TILLER (BLACK)	1	
3	21110-88L00	LEVER, SHIFT	1	
4	23230-88L00	CABLE, SHIFT	1	
5	36620-88L10	WIRE ASSY, HANDLE	1	
6	37110-87L01	SWITCH ASSY, IGNITION	1	
7-1	37141-99E00	..KEY (931)	1	
7-2	37141-99E10	..KEY (932)	1	
7-3	37141-99E20	..KEY (933)	1	
7-4	37141-99E30	..KEY (934)	1	
7-5	37141-99E40	..KEY (935)	1	
7-6	37141-99E50	..KEY (936)	1	
7-7	37141-99E60	..KEY (937)	1	
7-8	37141-99E70	..KEY (938)	1	
7-9	37141-99E80	..KEY (939)	1	
7-10	37141-99E90	..KEY (940)	1	
7-11	37141-99EA0	..KEY (941)	1	
7-12	37141-99EB0	..KEY (942)	1	
8	37143-99E00	..CAP, KEY	1	
9	37149-93J00	..CAP, CYLINDER BODY	1	
10	37820-87L00	SWITCH ASSY, EMERGENCY	1	
11	37823-92E01	..PLATE, LOCK	1	
12	37826-92E00	..NUT	1	
13	38500-93J90	BUZZER	1	
14	37852-87J00	..PLATE, TRIM SWITCH	1	
15	63121-88L00	..COVER, UNDER	1	
16	63210-88L00	GRIP, HANDLE	1	
17	63221-88L00	SHAFT, THROTTLE	1	
18	63223-92D00	STOPPER, HANDLE ROD	1	
19	63225-88L00	BUSH, HANDLE ROD	1	
20	63227-93200	PIN, HANDLE ROD	1	
21	63235-88L00	..PLATE, THROTTLE SHAFT	1	
22	63246-88L00	STOPPER THROTTLE ADJ	1	
23	63250-88L00	ARM ASSY, THROTTLE	1	

FIG.391

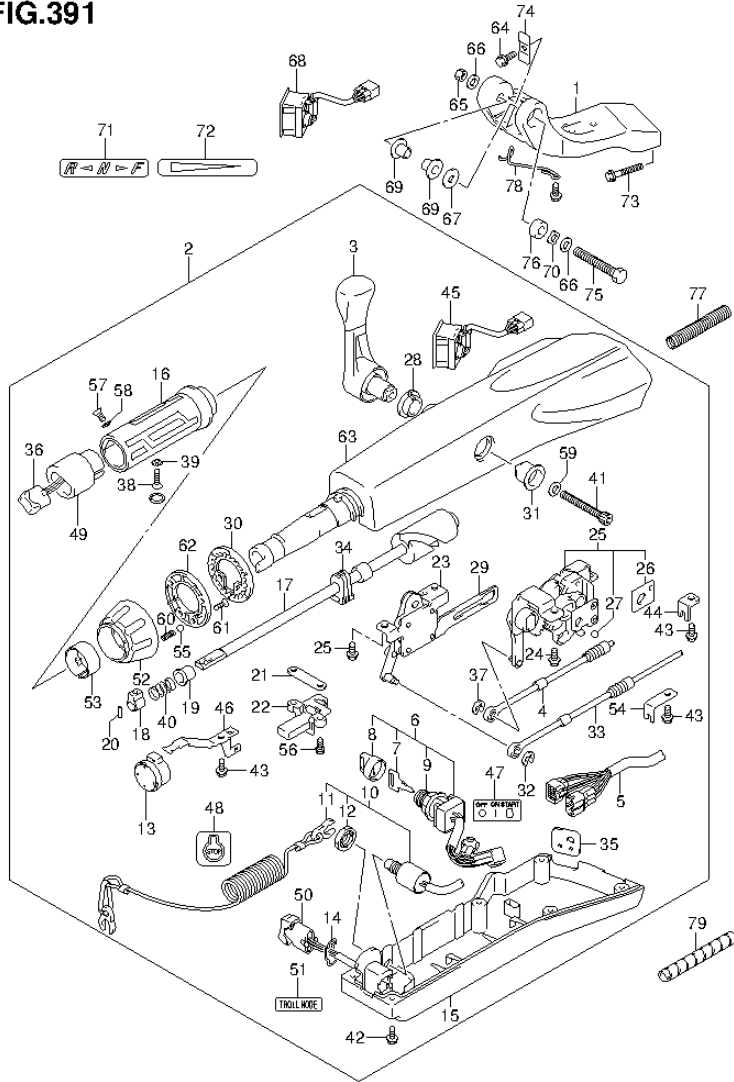


FIG.391 (3-L-7) TILLER HANDLE (DF60AQH E01)

REF NO.	PART NO.	DESCRIPTION	Q'TY	REMARKS
24	63251-87J00	.BOLT, SHIFT GEAR ASSY	4	
25	63260-88L00	.GEAR ASSY, SHIFT	1	
26	63272-87J00	..PLATE, BALL GUIDE	1	
27	63273-87J00	..BALL	1	
28	63262-87J00	.BUSH, SHIFT LEVER	1	
29	63271-87J00	.PLATE, LOCK	1	
30	63248-99J00	.PLATE, THROTTLE ADJ NOTCH	1	
31	63261-87J00	.BUSH, SHIFT GEAR	1	
32	63274-87J00	.E RING	1	
33	63610-88L00	.CABLE, THROTTLE	1	
34	37853-88L90	.GROMMET, PTT SWITCH LEAD	1	
35	63626-88L00	.GROMMET, CABLE	1	
36	67263-88L00	.CAP, SWITCH	1	
37	67292-87J00	.E RING	2	
38	09126-06015	.SCREW (6X23)	1	
39	09163-06001	.LOCK WASHER	1	
40	09440-12027	.SPRING	1	
41	21112-88L00	.BOLT SHIFT LEVER	1	
42	09125-05047	.SCREW (5X14)	6	
43	63611-88L00	.BOLT CLAMP BRACKET	3	
44	63612-87J00	.BRACKET, CLAMP	1	
45	34200-87L00	.TACHOMETER ASSY, WITH MONITOR	1	
46	36617-88L90	.CLAMP PLATE, MAIN HARNESS	1	
47	37112-88L90	.LABEL, IGNITION SWITCH	1	
48	37835-95D00	.LABEL, STOP	1	
49	37851-88L90	.BASE, PTT SWITCH	1	
50	37861-87L10	.SWITCH, TROLLING CONTROL	1	
51	37864-88L90	.LABEL, TROLL MODE	1	
52	63244-99J00	.KNOB, THROTTLE ADJ	1	
53	63245-99J00	.BUSH, THROTTLE ADJ	1	
54	63612-88L10	.BRACKET, CLAMP SHIFT	1	
55	09260-10006	.BALL	1	
56	63251-88L90	.BOLT	2	
57	37855-88L90	.SCREW, THROTTLE GRIP	1	

FIG.391

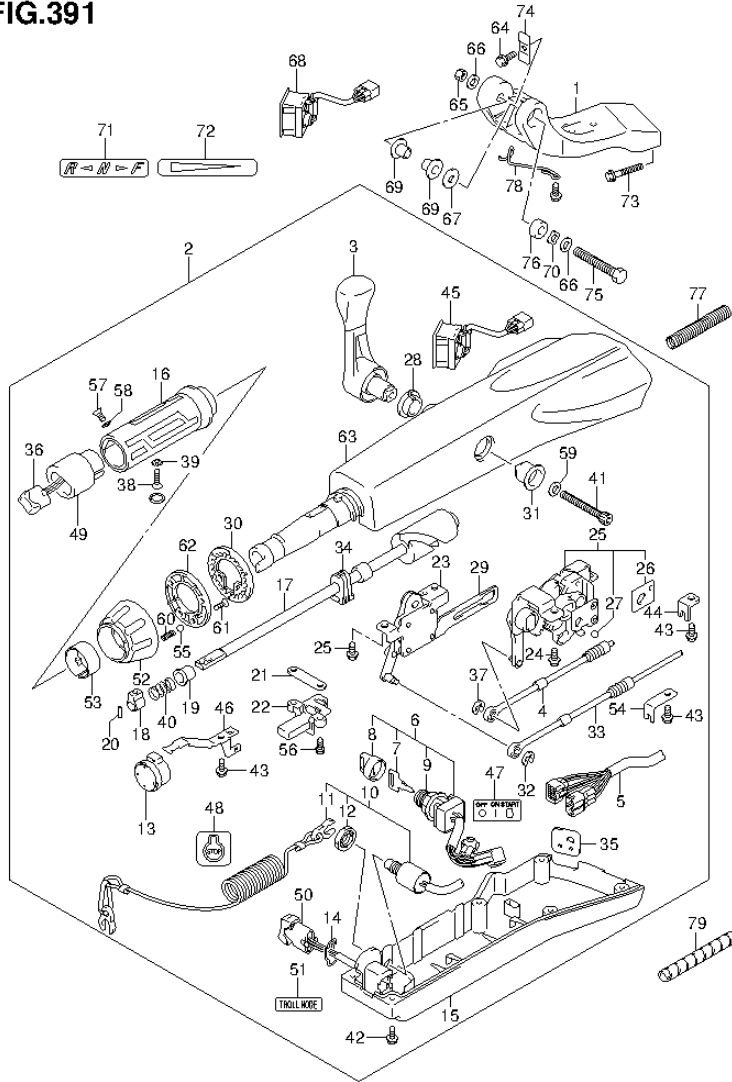


FIG.391 (3-L-8) TILLER HANDLE (DF60AQH E01)

REF NO.	PART NO.	DESCRIPTION	Q'TY	REMARKS
58	37854-88L90	.WASHER,THROTTLE GRIP	1	
59	63258-88L00	.WASHER	1	
60	09440-06037	.SPRING	1	
61	03522-05169	.SCREW	3	
62	63247-99J00	.PLATE,THROTTLE ADJ KNOB	1	
63	63111-88L00-0EP	.HOUSING, TILLER HANDLE (BLACK)	1	
64	09116-08137	BOLT (8X22)	1	
65	09159-12014	NUT	1	
66	09160-12066	WASHER (12.5X22X2.5)	2	
67	09160-12124	WASHER (12.5X32X1.5)	1	
68	34200-87L00	TACHOMETER ASSY, WITH MONITOR	1	
69	63115-88L00	BUSH, TILLER HANDLE PIVOT	2	
70	09164-13010	WASHER	1	
71	21131-88L00	MARK, CLUTCH SHIFT	1	
72	63215-93110	MARK, HANDLE GRIP	1	
73	09116-10150	BOLT (10X55)	2	
74	63132-88L00	STOPPER, TILLER HANDLE	1	
75	43762-88L00	BOLT, TILLER HANDLE PIVOT	1	
76	43768-88L00	SPACER, TILLER HANDLE	1	
77	33834-88L00	TUBE, CABLE PROTECTOR	1	
78	65793-88L00	HOLDER, FUEL HOSE	1	
79	33833-91J00	TUBE, THROTTLE CABLE (L:250)	1	L:250->150

FIG.392

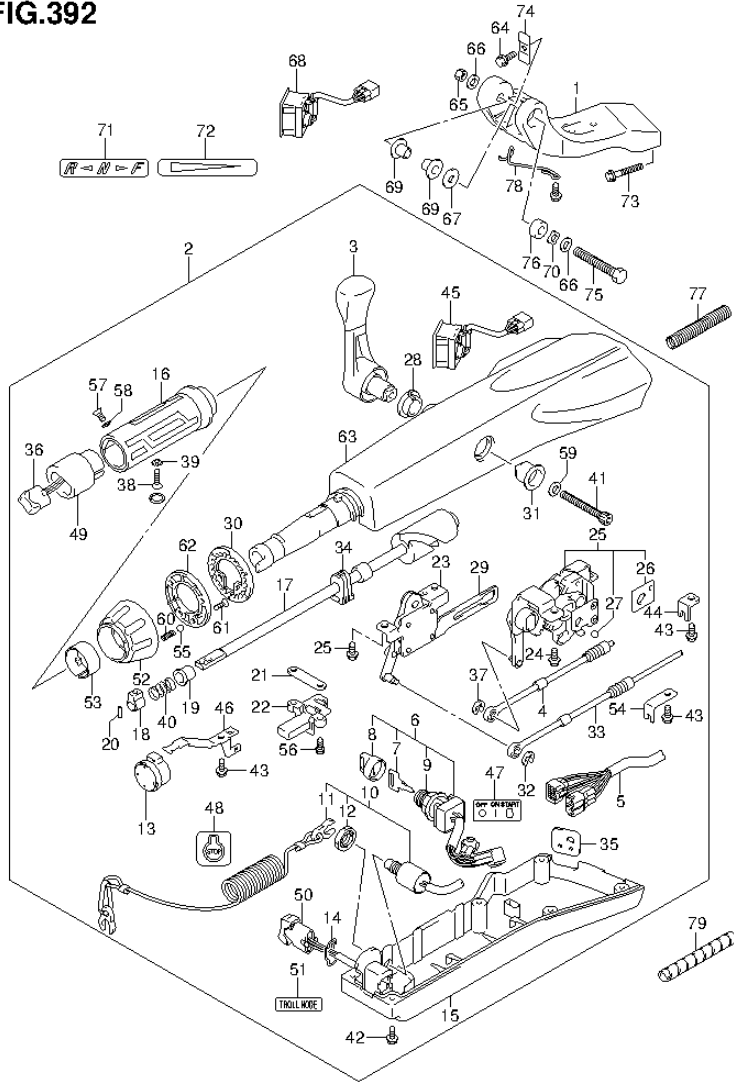


FIG.392 (3-L-9) TILLER HANDLE (DF60AQH E40)

REF NO.	PART NO.	DESCRIPTION	Q'TY	REMARKS
1	43761-88L01-OEP	BRACKET, TILLER HANDLE (BLACK)	1	
2	63110-88L30-OEP	HANDLE ASSY, TILLER (BLACK)	1	
3	21110-88L00	.LEVER, SHIFT	1	
4	23230-88L00	.CABLE, SHIFT	1	
5	36620-88L10	.WIRE ASSY, HANDLE	1	
6	37110-87L01	.SWITCH ASSY, IGNITION	1	
7-1	37141-99E00	..KEY (931)	1	
7-2	37141-99E10	..KEY (932)	1	
7-3	37141-99E20	..KEY (933)	1	
7-4	37141-99E30	..KEY (934)	1	
7-5	37141-99E40	..KEY (935)	1	
7-6	37141-99E50	..KEY (936)	1	
7-7	37141-99E60	..KEY (937)	1	
7-8	37141-99E70	..KEY (938)	1	
7-9	37141-99E80	..KEY (939)	1	
7-10	37141-99E90	..KEY (940)	1	
7-11	37141-99EA0	..KEY (941)	1	
7-12	37141-99EB0	..KEY (942)	1	
8	37143-99E00	..CAP, KEY	1	
9	37149-93J00	..CAP, CYLINDER BODY	1	
10	37820-87L00	.SWITCH ASSY, EMERGENCY	1	
11	37823-92E01	..PLATE, LOCK	1	
12	37826-92E00	..NUT	1	
13	38500-93J90	.BUZZER	1	
14	37852-87J00	.PLATE, TRIM SWITCH	1	
15	63121-88L00	.COVER, UNDER	1	
16	63210-88L00	.GRIP, HANDLE	1	
17	63221-88L00	.SHAFT, THROTTLE	1	
18	63223-92D00	.STOPPER, HANDLE ROD	1	
19	63225-88L00	.BUSH, HANDLE ROD	1	
20	63227-93200	.PIN, HANDLE ROD	1	
21	63235-88L00	.PLATE, THROTTLE SHAFT	1	
22	63246-88L00	.STOPPER THROTTLE ADJ	1	
23	63250-88L00	.ARM ASSY, THROTTLE	1	

FIG.392

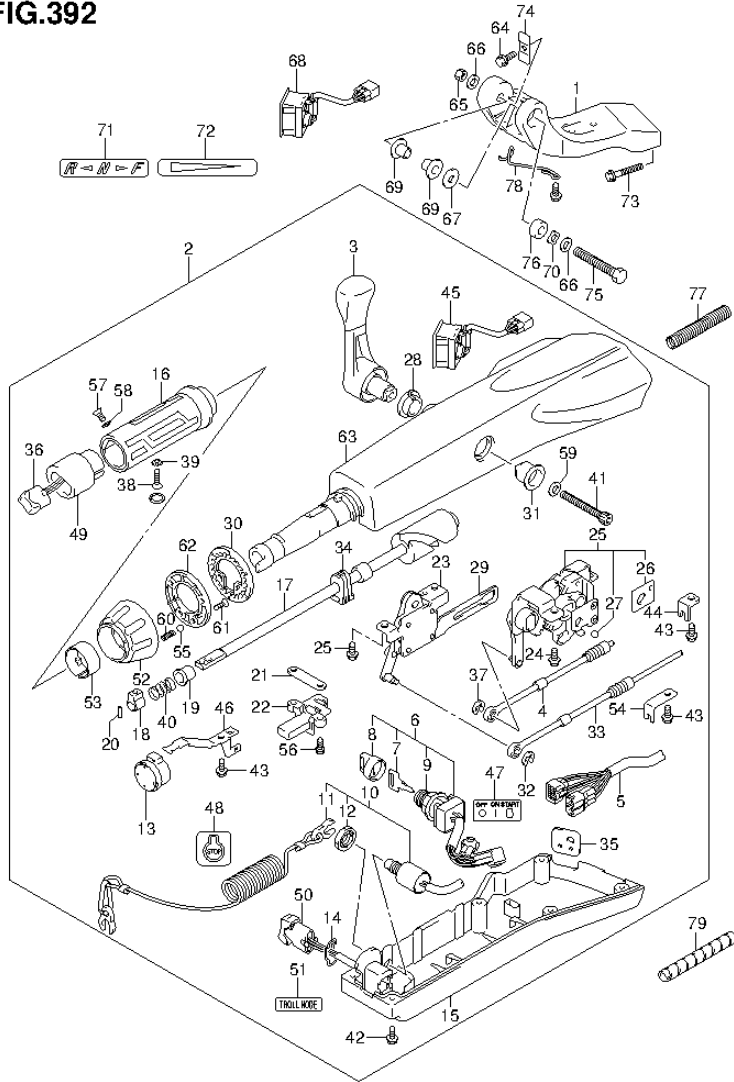


FIG.392 (3-L-10) TILLER HANDLE (DF60AQH E40)

REF NO.	PART NO.	DESCRIPTION	Q'TY	REMARKS
24	63251-87J00	.BOLT, SHIFT GEAR ASSY	4	
25	63260-88L00	.GEAR ASSY, SHIFT	1	
26	63272-87J00	..PLATE, BALL GUIDE	1	
27	63273-87J00	..BALL	1	
28	63262-87J00	.BUSH, SHIFT LEVER	1	
29	63271-87J00	.PLATE, LOCK	1	
30	63248-99J00	.PLATE, THROTTLE ADJ NOTCH	1	
31	63261-87J00	.BUSH, SHIFT GEAR	1	
32	63274-87J00	E RING	1	
33	63610-88L00	.CABLE, THROTTLE	1	
34	37853-88L90	.GROMMET, PTT SWITCH LEAD	1	
35	63626-88L00	.GROMMET, CABLE	1	
36	67263-88L00	.CAP, SWITCH	1	
37	67292-87J00	E RING	2	
38	09126-06015	.SCREW (6X23)	1	
39	09163-06001	.LOCK WASHER	1	
40	09440-12027	.SPRING	1	
41	21112-88L00	.BOLT SHIFT LEVER	1	
42	09125-05047	.SCREW (5X14)	6	
43	63611-88L00	.BOLT CLAMP BRACKET	3	
44	63612-87J00	.BRACKET, CLAMP	1	
45	34200-87L00	.TACHOMETER ASSY, WITH MONITOR	1	
46	36617-88L90	.CLAMP PLATE, MAIN HARNESS	1	
47	37112-88L90	.LABEL, IGNITION SWITCH	1	
48	37835-95D00	.LABEL, STOP	1	
49	37851-88L90	.BASE, PTT SWITCH	1	
50	37861-87L10	.SWITCH, TROLLING CONTROL	1	
51	37864-88L90	.LABEL, TROLL MODE	1	
52	63244-99J00	.KNOB, THROTTLE ADJ	1	
53	63245-99J00	.BUSH, THROTTLE ADJ	1	
54	63612-88L10	.BRACKET, CLAMP SHIFT	1	
55	09260-10006	.BALL	1	
56	63251-88L90	.BOLT	2	
57	37855-88L90	.SCREW, THROTTLE GRIP	1	

FIG.392

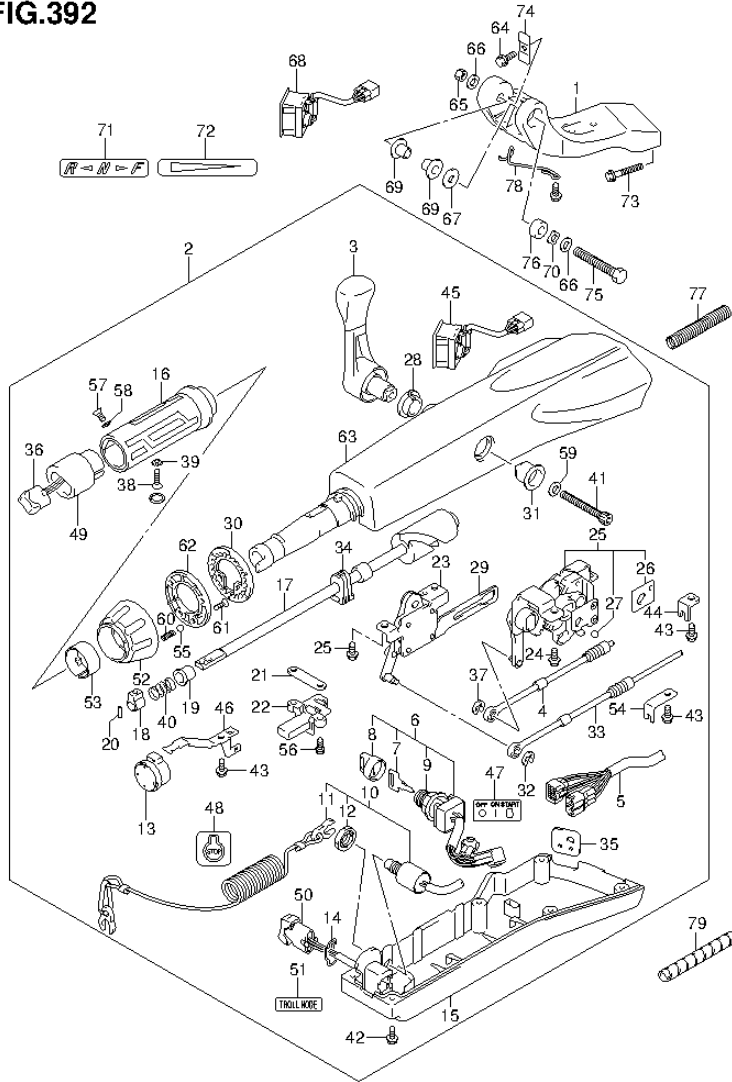


FIG.392 (3-L-11) TILLER HANDLE (DF60AQH E40)

REF NO.	PART NO.	DESCRIPTION	Q'TY	REMARKS
58	37854-88L90	.WASHER,THROTTLE GRIP	1	
59	63258-88L00	.WASHER	1	
60	09440-06037	.SPRING	1	
61	03522-05169	.SCREW	3	
62	63247-99J00	.PLATE,THROTTLE ADJ KNOB	1	
63	63111-88L00-0EP	.HOUSING, TILLER HANDLE (BLACK)	1	
64	09116-08137	BOLT (8X22)	1	
65	09159-12014	NUT	1	
66	09160-12066	WASHER (12.5X22X2.5)	2	
67	09160-12124	WASHER (12.5X32X1.5)	1	
68	34200-87L00	TACHOMETER ASSY, WITH MONITOR	1	
69	63115-88L00	BUSH, TILLER HANDLE PIVOT	2	
70	09164-13010	WASHER	1	
71	21131-88L00	MARK, CLUTCH SHIFT	1	
72	63215-93110	MARK, HANDLE GRIP	1	
73	09116-10150	BOLT (10X55)	2	
74	63132-88L00	STOPPER, TILLER HANDLE	1	
75	43762-88L00	BOLT, TILLER HANDLE PIVOT	1	
76	43768-88L00	SPACER, TILLER HANDLE	1	
77	33834-88L00	TUBE, CABLE PROTECTOR	1	
78	65793-88L00	HOLDER, FUEL HOSE	1	
79	33833-91J00	TUBE, THROTTLE CABLE (L:250)	1	L:250->150

FIG.393

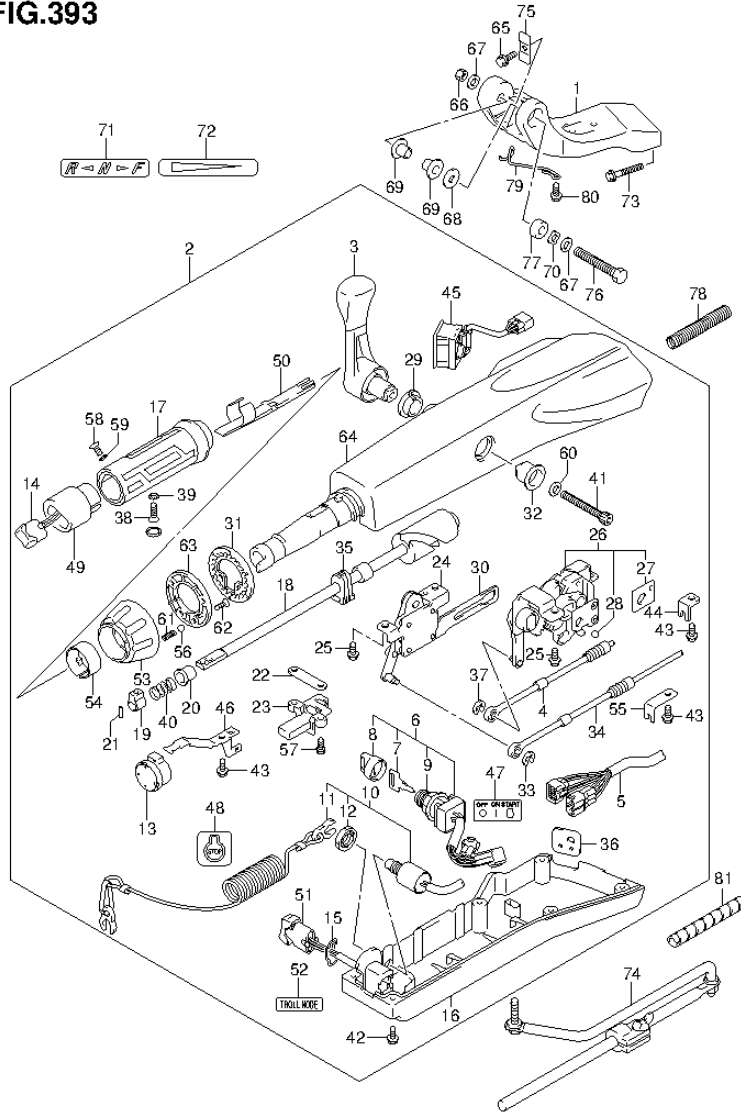


FIG.393 (3-L-12) TILLER HANDLE (DF60ATH E01)

REF NO.	PART NO.	DESCRIPTION	Q'TY	REMARKS
1	43761-88L01-OEP	BRACKET, TILLER HANDLE (BLACK)	1	
2	63110-88L20-OEP	HANDLE ASSY, TILLER (BLACK)	1	
3	21110-88L00	.LEVER, SHIFT	1	
4	23230-88L00	.CABLE, SHIFT	1	
5	36620-88L10	.WIRE ASSY, HANDLE	1	
6	37110-87L01	.SWITCH ASSY, IGNITION	1	
7-1	37141-99E00	..KEY (931)	1	
7-2	37141-99E10	..KEY (932)	1	
7-3	37141-99E20	..KEY (933)	1	
7-4	37141-99E30	..KEY (934)	1	
7-5	37141-99E40	..KEY (935)	1	
7-6	37141-99E50	..KEY (936)	1	
7-7	37141-99E60	..KEY (937)	1	
7-8	37141-99E70	..KEY (938)	1	
7-9	37141-99E80	..KEY (939)	1	
7-10	37141-99E90	..KEY (940)	1	
7-11	37141-99EA0	..KEY (941)	1	
7-12	37141-99EB0	..KEY (942)	1	
8	37143-99E00	..CAP, KEY	1	
9	37149-93J00	..CAP, CYLINDER BODY	1	
10	37820-87L00	.SWITCH ASSY, EMERGENCY	1	
11	37823-92E01	..PLATE, LOCK	1	
12	37826-92E00	..NUT	1	
13	38500-93J90	.BUZZER	1	
14	37850-87L00	.SWITCH ASSY, PTT	1	
15	37852-87J00	.PLATE, TRIM SWITCH	1	
16	63121-88L00	.COVER, UNDER	1	
17	63210-88L00	.GRIP, HANDLE	1	
18	63221-88L00	.SHAFT, THROTTLE	1	
19	63223-92D00	.STOPPER, HANDLE ROD	1	
20	63225-88L00	.BUSH, HANDLE ROD	1	
21	63227-93200	.PIN, HANDLE ROD	1	
22	63235-88L00	.PLATE, THROTTLE SHAFT	1	
23	63246-88L00	.STOPPER THROTTLE ADJ	1	

FIG.393

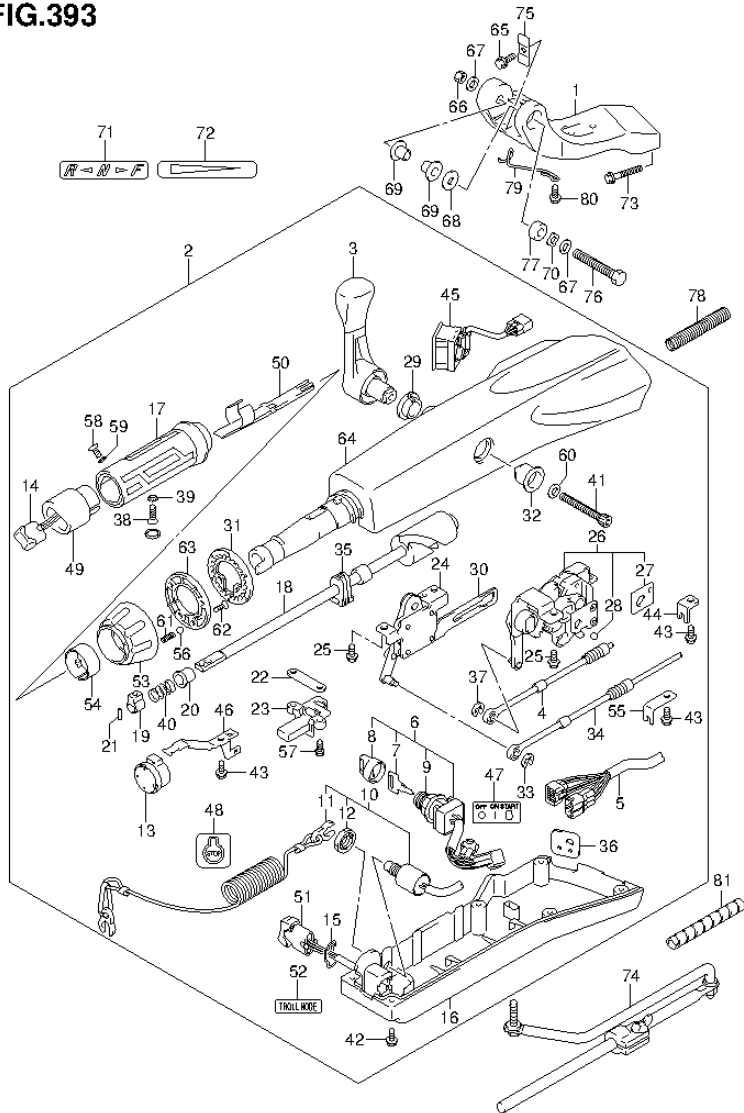


FIG.393 (3-L-13) TILLER HANDLE (DF60ATH E01)

REF NO.	PART NO.	DESCRIPTION	Q'TY	REMARKS
24	63250-88L00	ARM ASSY, THROTTLE	1	
25	63251-87J00	.BOLT, SHIFT GEAR ASSY	4	
26	63260-88L00	.GEAR ASSY, SHIFT	1	
27	63272-87J00	.PLATE, BALL GUIDE	1	
28	63273-87J00	.BALL	1	
29	63262-87J00	.BUSH, SHIFT LEVER	1	
30	63271-87J00	.PLATE, LOCK	1	
31	63248-99J00	.PLATE, THROTTLE ADJ NOTCH	1	
32	63261-87J00	.BUSH, SHIFT GEAR	1	
33	63274-87J00	E RING	1	
34	63610-88L00	.CABLE, THROTTLE	1	
35	37853-88L90	.GROMMET, PTT SWITCH LEAD	1	
36	63626-88L00	.GROMMET, CABLE	1	
37	67292-87J00	E RING	2	
38	09126-06015	.SCREW (6X23)	1	
39	09163-06001	.LOCK WASHER	1	
40	09440-12027	.SPRING	1	
41	21112-88L00	.BOLT SHIFT LEVER	1	
42	09125-05047	.SCREW (5X14)	6	
43	63611-88L00	.BOLT CLAMP BRACKET	3	
44	63612-87J00	.BRACKET, CLAMP	1	
45	34200-87L00	.TACHOMETER ASSY, WITH MONITOR	1	
46	36617-88L90	.CLAMP PLATE, MAIN HARNESS	1	
47	37112-88L90	.LABEL, IGNITION SWITCH	1	
48	37835-95D00	.LABEL, STOP	1	
49	37851-88L90	.BASE, PTT SWITCH	1	
50	37852-88L90	.HARNESS, GUIDE	1	
51	37861-87L10	.SWITCH, TROLLING CONTROL	1	
52	37864-88L90	.LABEL, TROLL MODE	1	
53	63244-99J00	.KNOB, THROTTLE ADJ	1	
54	63245-99J00	.BUSH, THROTTLE ADJ	1	
55	63612-88L10	.BRACKET, CLAMP SHIFT	1	
56	09260-10006	.BALL	1	
57	63251-88L90	.BOLT	2	

FIG.393

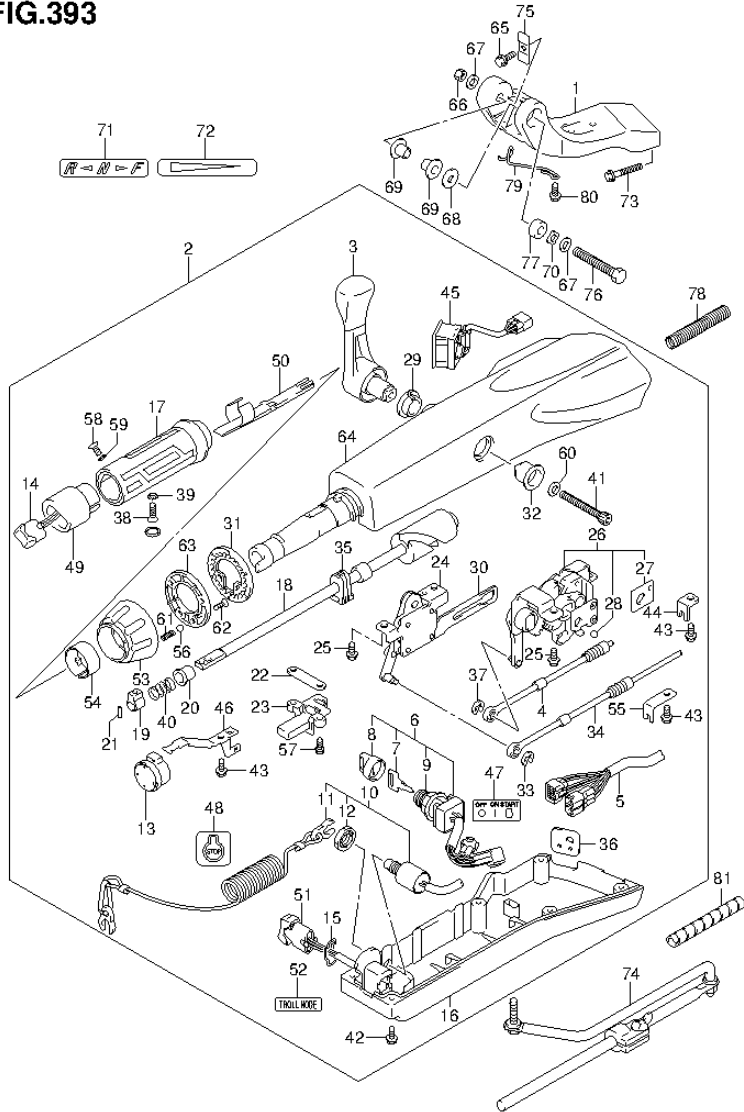


FIG.393 (3-L-14) TILLER HANDLE (DF60ATH E01)

REF NO.	PART NO.	DESCRIPTION	Q'TY	REMARKS
58	37855-88L90	.SCREW,THROTTLE GRIP	1	
59	37854-88L90	.WASHER,THROTTLE GRIP	1	
60	63258-88L00	.WASHER	1	
61	09440-06037	.SPRING	1	
62	03522-05169	.SCREW	3	
63	63247-99J00	.PLATE,THROTTLE ADJ KNOB	1	
64	63111-88L00-0EP	.HOUSING, TILLER HANDLE (BLACK)	1	
65	09116-08137	BOLT (8X22)	1	
66	09159-12014	NUT	1	
67	09160-12066	WASHER (12.5X22X2.5)	2	
68	09160-12124	WASHER (12.5X32X1.5)	1	
69	63115-88L00	BUSH, TILLER HANDLE PIVOT	2	
70	09164-13010	WASHER	1	
71	21131-88L00	MARK, CLUTCH SHIFT	1	
72	63215-93110	MARK, HANDLE GRIP	1	
73	09116-10150	BOLT (10X55)	2	
74	43770-99E03	ADJUSTER ASSY, STEERING	1	
75	63132-88L00	STOPPER, TILLER HANDLE	1	
76	43762-88L00	BOLT, TILLER HANDLE PIVOT	1	
77	43768-88L00	SPACER, TILLER HANDLE	1	
78	33834-88L00	TUBE, CABLE PROTECTOR	1	
79	65793-88L00	HOLDER, FUEL HOSE	1	
80	09116-06237	BOLT (6X15)	2	
81	33833-91J00	TUBE, THROTTLE CABLE (L:250)	1	L:250->150

FIG.394

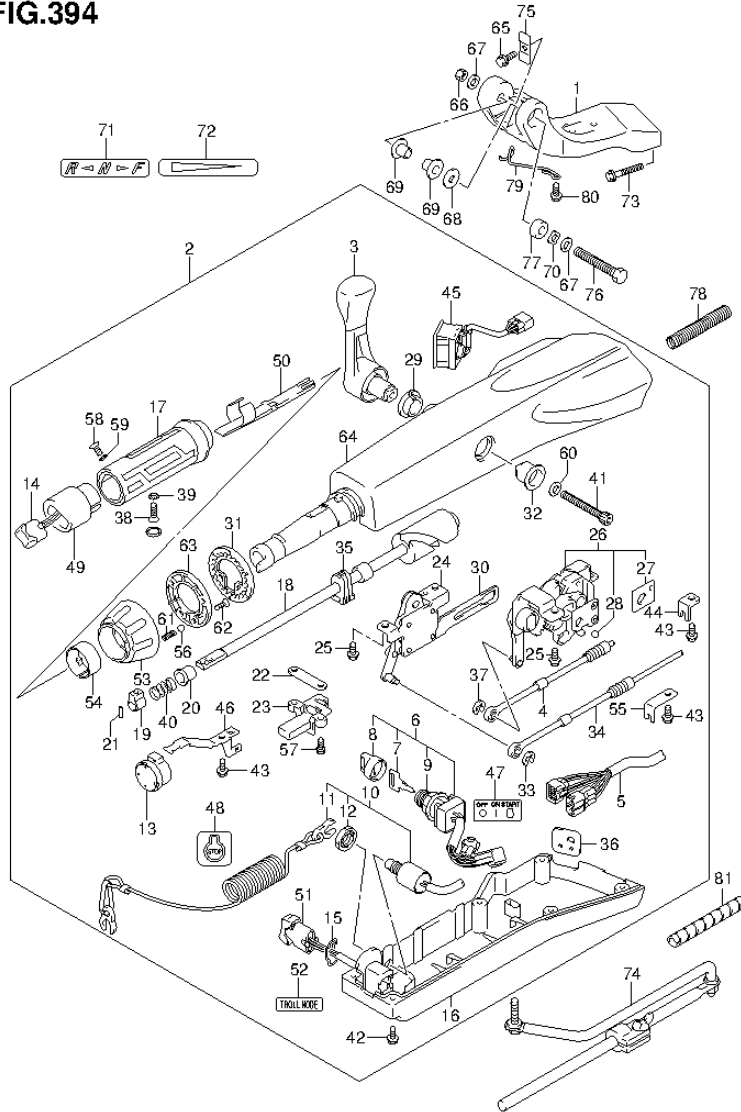


FIG.394 (3-L-15) TILLER HANDLE (DF60ATH E40)

REF NO.	PART NO.	DESCRIPTION	Q'TY	REMARKS
1	43761-88L01-OEP	BRACKET, TILLER HANDLE (BLACK)	1	
2	63110-88L20-OEP	HANDLE ASSY, TILLER (BLACK)	1	
3	21110-88L00	.LEVER, SHIFT	1	
4	23230-88L00	.CABLE, SHIFT	1	
5	36620-88L10	.WIRE ASSY, HANDLE	1	
6	37110-87L01	.SWITCH ASSY, IGNITION	1	
7-1	37141-99E00	..KEY (931)	1	
7-2	37141-99E10	..KEY (932)	1	
7-3	37141-99E20	..KEY (933)	1	
7-4	37141-99E30	..KEY (934)	1	
7-5	37141-99E40	..KEY (935)	1	
7-6	37141-99E50	..KEY (936)	1	
7-7	37141-99E60	..KEY (937)	1	
7-8	37141-99E70	..KEY (938)	1	
7-9	37141-99E80	..KEY (939)	1	
7-10	37141-99E90	..KEY (940)	1	
7-11	37141-99EA0	..KEY (941)	1	
7-12	37141-99EB0	..KEY (942)	1	
8	37143-99E00	..CAP, KEY	1	
9	37149-93J00	..CAP, CYLINDER BODY	1	
10	37820-87L00	.SWITCH ASSY, EMERGENCY	1	
11	37823-92E01	..PLATE, LOCK	1	
12	37826-92E00	..NUT	1	
13	38500-93J90	.BUZZER	1	
14	37850-87L00	.SWITCH ASSY, PTT	1	
15	37852-87J00	.PLATE, TRIM SWITCH	1	
16	63121-88L00	.COVER, UNDER	1	
17	63210-88L00	.GRIP, HANDLE	1	
18	63221-88L00	.SHAFT, THROTTLE	1	
19	63223-92D00	.STOPPER, HANDLE ROD	1	
20	63225-88L00	.BUSH, HANDLE ROD	1	
21	63227-93200	.PIN, HANDLE ROD	1	
22	63235-88L00	.PLATE, THROTTLE SHAFT	1	
23	63246-88L00	.STOPPER THROTTLE ADJ	1	

FIG.394

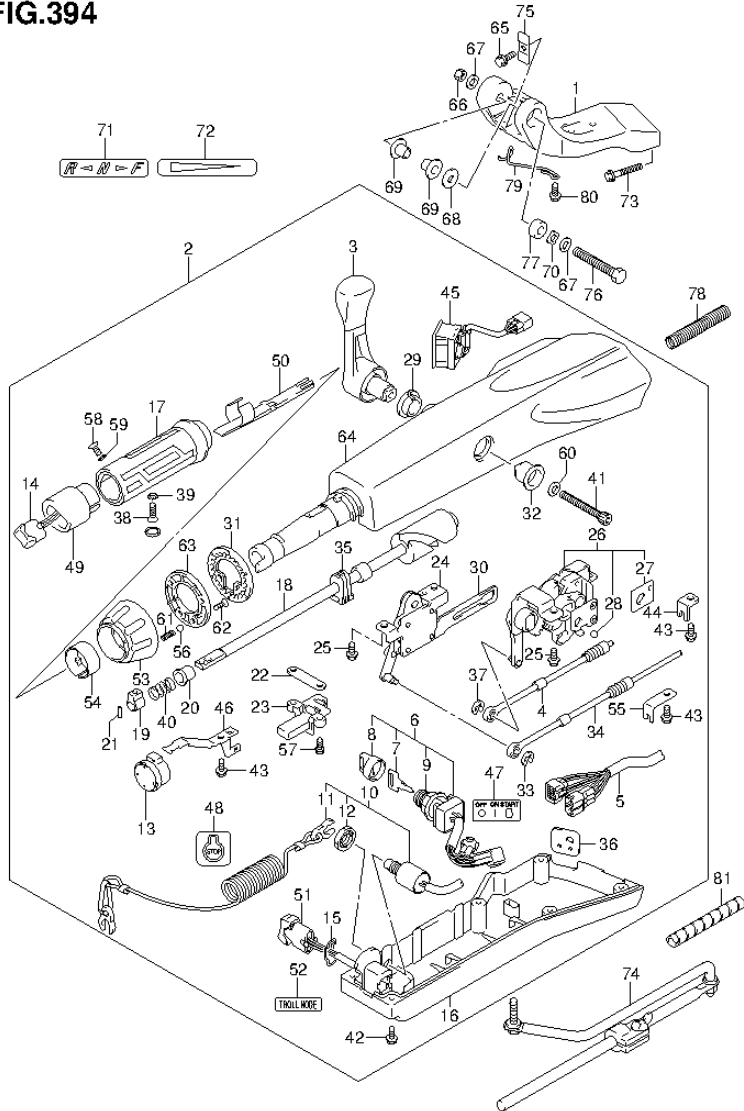


FIG.394 (4-B-2) TILLER HANDLE (DF60ATH E40)

REF NO.	PART NO.	DESCRIPTION	Q'TY	REMARKS
24	63250-88L00	ARM ASSY, THROTTLE	1	
25	63251-87J00	.BOLT, SHIFT GEAR ASSY	4	
26	63260-88L00	.GEAR ASSY, SHIFT	1	
27	63272-87J00	.PLATE, BALL GUIDE	1	
28	63273-87J00	.BALL	1	
29	63262-87J00	.BUSH, SHIFT LEVER	1	
30	63271-87J00	.PLATE, LOCK	1	
31	63248-99J00	.PLATE, THROTTLE ADJ NOTCH	1	
32	63261-87J00	.BUSH, SHIFT GEAR	1	
33	63274-87J00	E RING	1	
34	63610-88L00	.CABLE, THROTTLE	1	
35	37853-88L90	.GROMMET, PTT SWITCH LEAD	1	
36	63626-88L00	.GROMMET, CABLE	1	
37	67292-87J00	E RING	2	
38	09126-06015	.SCREW (6X23)	1	
39	09163-06001	.LOCK WASHER	1	
40	09440-12027	.SPRING	1	
41	21112-88L00	.BOLT SHIFT LEVER	1	
42	09125-05047	.SCREW (5X14)	6	
43	63611-88L00	.BOLT CLAMP BRACKET	3	
44	63612-87J00	.BRACKET, CLAMP	1	
45	34200-87L00	.TACHOMETER ASSY, WITH MONITOR	1	
46	36617-88L90	.CLAMP PLATE, MAIN HARNESS	1	
47	37112-88L90	.LABEL, IGNITION SWITCH	1	
48	37835-95D00	.LABEL, STOP	1	
49	37851-88L90	.BASE, PTT SWITCH	1	
50	37852-88L90	.HARNESS, GUIDE	1	
51	37861-87L10	.SWITCH, TROLLING CONTROL	1	
52	37864-88L90	.LABEL, TROLL MODE	1	
53	63244-99J00	.KNOB, THROTTLE ADJ	1	
54	63245-99J00	.BUSH, THROTTLE ADJ	1	
55	63612-88L10	.BRACKET, CLAMP SHIFT	1	
56	09260-10006	.BALL	1	
57	63251-88L90	.BOLT	2	

FIG.394

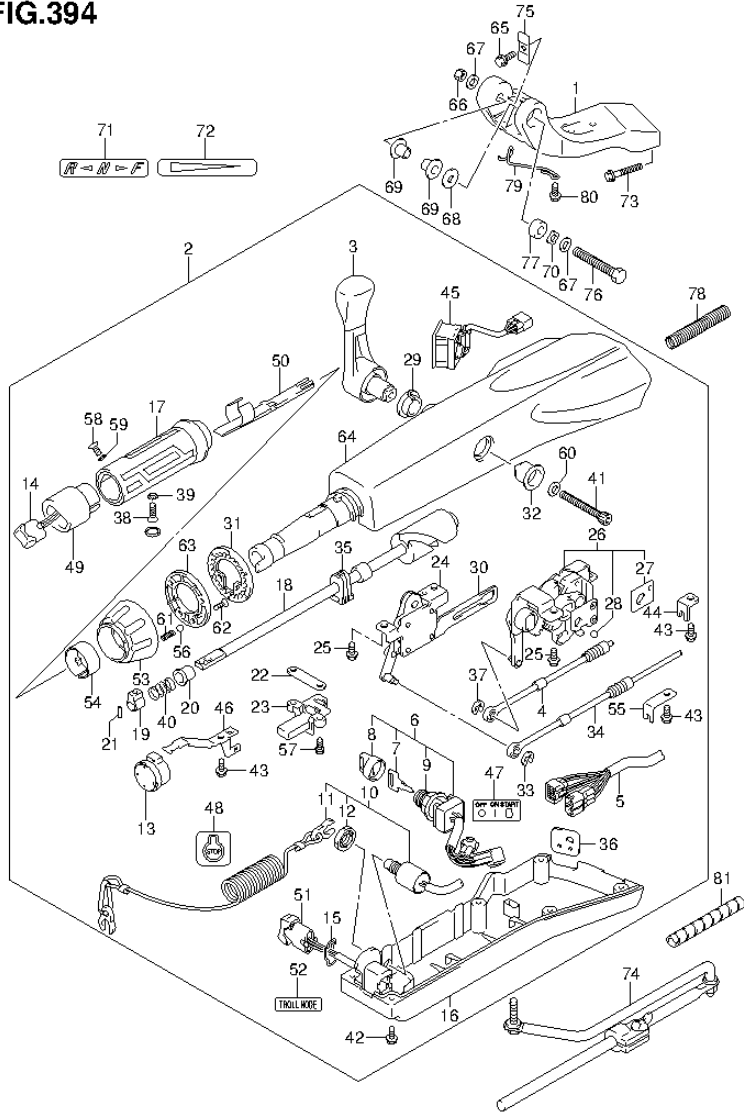


FIG.394 (4-B-3) TILLER HANDLE (DF60ATH E40)

REF NO.	PART NO.	DESCRIPTION	Q'TY	REMARKS
58	37855-88L90	.SCREW,THROTTLE GRIP	1	
59	37854-88L90	.WASHER,THROTTLE GRIP	1	
60	63258-88L00	.WASHER	1	
61	09440-06037	.SPRING	1	
62	03522-05169	.SCREW	3	
63	63247-99J00	.PLATE,THROTTLE ADJ KNOB	1	
64	63111-88L00-0EP	.HOUSING, TILLER HANDLE (BLACK)	1	
65	09116-08137	BOLT (8X22)	1	
66	09159-12014	NUT	1	
67	09160-12066	WASHER (12.5X22X2.5)	2	
68	09160-12124	WASHER (12.5X32X1.5)	1	
69	63115-88L00	BUSH, TILLER HANDLE PIVOT	2	
70	09164-13010	WASHER	1	
71	21131-88L00	MARK, CLUTCH SHIFT	1	
72	63215-93110	MARK, HANDLE GRIP	1	
73	09116-10150	BOLT (10X55)	2	
74	43770-99E03	ADJUSTER ASSY, STEERING	1	
75	63132-88L00	STOPPER, TILLER HANDLE	1	
76	43762-88L00	BOLT, TILLER HANDLE PIVOT	1	
77	43768-88L00	SPACER, TILLER HANDLE	1	
78	33834-88L00	TUBE, CABLE PROTECTOR	1	
79	65793-88L00	HOLDER, FUEL HOSE	1	
80	09116-06237	BOLT (6X15)	2	
81	33833-91J00	TUBE, THROTTLE CABLE (L:250)	1	L:250->150

FIG.395

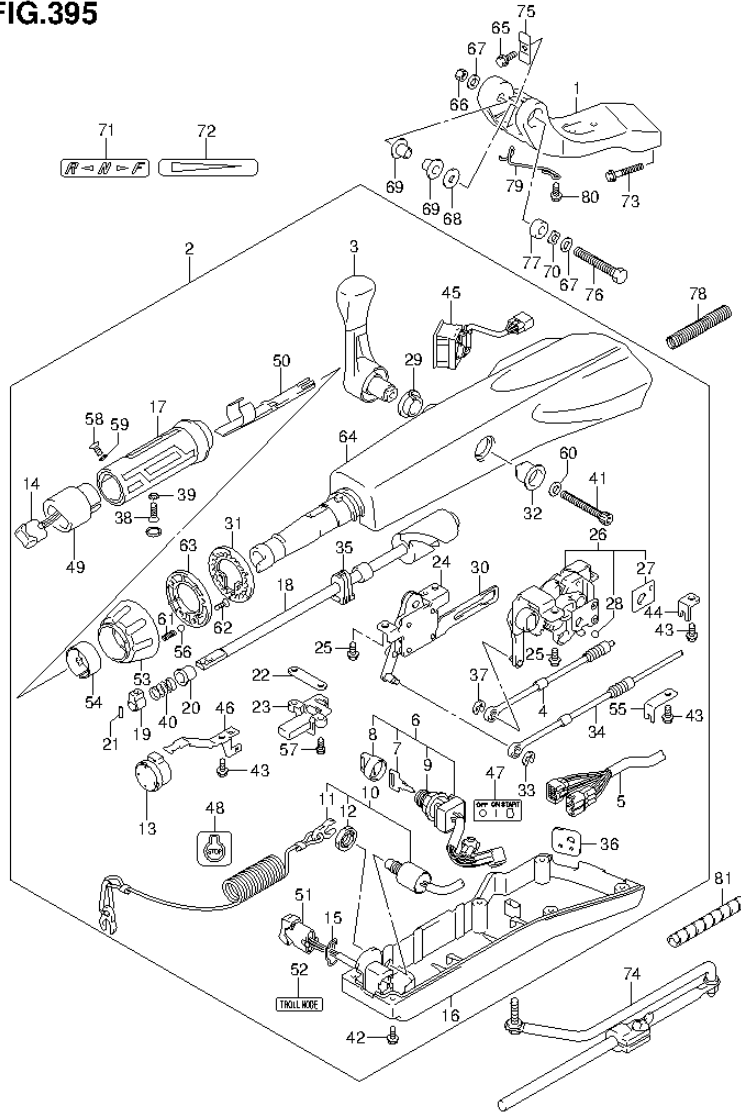


FIG.395 (4-B-4) TILLER HANDLE (DF50AVTH E01)

REF NO.	PART NO.	DESCRIPTION	Q'TY	REMARKS
1	43761-88L01-OEP	BRACKET, TILLER HANDLE (BLACK)	1	
2	63110-88L20-OEP	HANDLE ASSY, TILLER (BLACK)	1	
3	21110-88L00	.LEVER, SHIFT	1	
4	23230-88L00	.CABLE, SHIFT	1	
5	36620-88L10	.WIRE ASSY, HANDLE	1	
6	37110-87L01	.SWITCH ASSY, IGNITION	1	
7-1	37141-99E00	..KEY (931)	1	
7-2	37141-99E10	..KEY (932)	1	
7-3	37141-99E20	..KEY (933)	1	
7-4	37141-99E30	..KEY (934)	1	
7-5	37141-99E40	..KEY (935)	1	
7-6	37141-99E50	..KEY (936)	1	
7-7	37141-99E60	..KEY (937)	1	
7-8	37141-99E70	..KEY (938)	1	
7-9	37141-99E80	..KEY (939)	1	
7-10	37141-99E90	..KEY (940)	1	
7-11	37141-99EA0	..KEY (941)	1	
7-12	37141-99EB0	..KEY (942)	1	
8	37143-99E00	..CAP, KEY	1	
9	37149-93J00	..CAP, CYLINDER BODY	1	
10	37820-87L00	.SWITCH ASSY, EMERGENCY	1	
11	37823-92E01	..PLATE, LOCK	1	
12	37826-92E00	..NUT	1	
13	38500-93J90	.BUZZER	1	
14	37850-87L00	.SWITCH ASSY, PTT	1	
15	37852-87J00	.PLATE, TRIM SWITCH	1	
16	63121-88L00	.COVER, UNDER	1	
17	63210-88L00	.GRIP, HANDLE	1	
18	63221-88L00	.SHAFT, THROTTLE	1	
19	63223-92D00	.STOPPER, HANDLE ROD	1	
20	63225-88L00	.BUSH, HANDLE ROD	1	
21	63227-93200	.PIN, HANDLE ROD	1	
22	63235-88L00	.PLATE, THROTTLE SHAFT	1	
23	63246-88L00	.STOPPER THROTTLE ADJ	1	

FIG.395

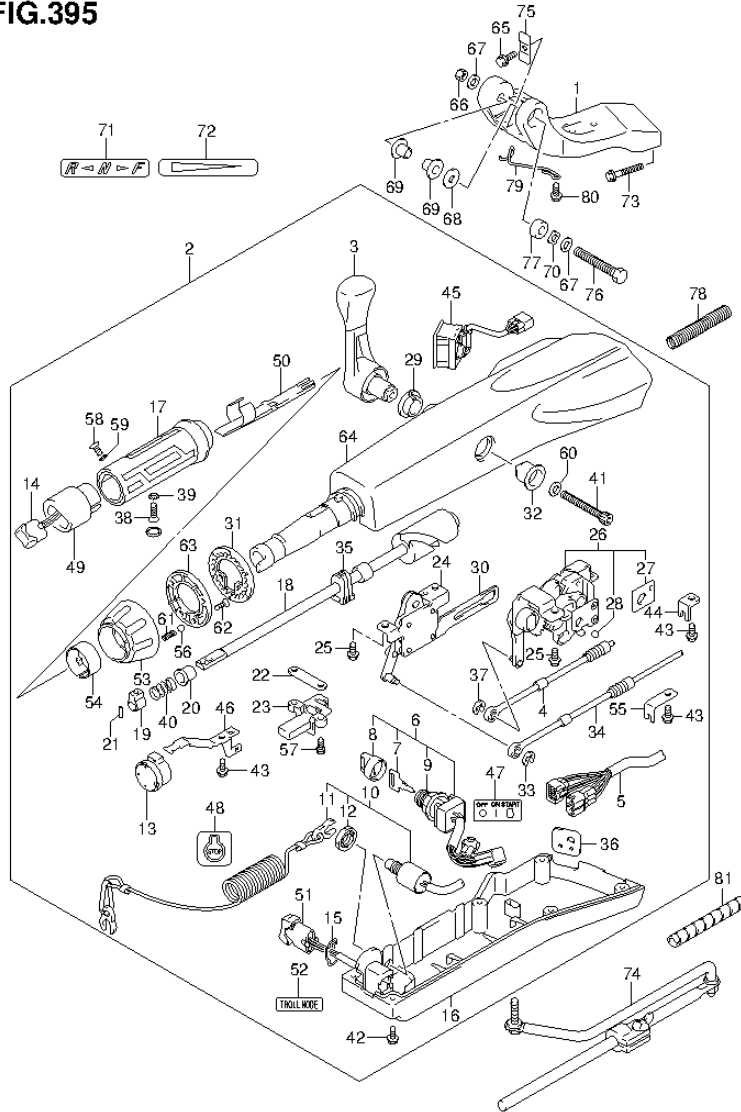


FIG.395 (4-B-5) TILLER HANDLE (DF50AVTH E01)

REF NO.	PART NO.	DESCRIPTION	Q'TY	REMARKS
24	63250-88L00	ARM ASSY, THROTTLE	1	
25	63251-87J00	.BOLT, SHIFT GEAR ASSY	4	
26	63260-88L00	.GEAR ASSY, SHIFT	1	
27	63272-87J00	.PLATE, BALL GUIDE	1	
28	63273-87J00	.BALL	1	
29	63262-87J00	.BUSH, SHIFT LEVER	1	
30	63271-87J00	.PLATE, LOCK	1	
31	63248-99J00	.PLATE, THROTTLE ADJ NOTCH	1	
32	63261-87J00	.BUSH, SHIFT GEAR	1	
33	63274-87J00	E RING	1	
34	63610-88L00	.CABLE, THROTTLE	1	
35	37853-88L90	.GROMMET, PTT SWITCH LEAD	1	
36	63626-88L00	.GROMMET, CABLE	1	
37	67292-87J00	E RING	2	
38	09126-06015	.SCREW (6X23)	1	
39	09163-06001	.LOCK WASHER	1	
40	09440-12027	.SPRING	1	
41	21112-88L00	.BOLT SHIFT LEVER	1	
42	09125-05047	.SCREW (5X14)	6	
43	63611-88L00	.BOLT CLAMP BRACKET	3	
44	63612-87J00	.BRACKET, CLAMP	1	
45	34200-87L00	.TACHOMETER ASSY, WITH MONITOR	1	
46	36617-88L90	.CLAMP PLATE, MAIN HARNESS	1	
47	37112-88L90	.LABEL, IGNITION SWITCH	1	
48	37835-95D00	.LABEL, STOP	1	
49	37851-88L90	.BASE, PTT SWITCH	1	
50	37852-88L90	.HARNESS, GUIDE	1	
51	37861-87L10	.SWITCH, TROLLING CONTROL	1	
52	37864-88L90	.LABEL, TROLL MODE	1	
53	63244-99J00	.KNOB, THROTTLE ADJ	1	
54	63245-99J00	.BUSH, THROTTLE ADJ	1	
55	63612-88L10	.BRACKET, CLAMP SHIFT	1	
56	09260-10006	.BALL	1	
57	63251-88L90	.BOLT	2	

FIG.395

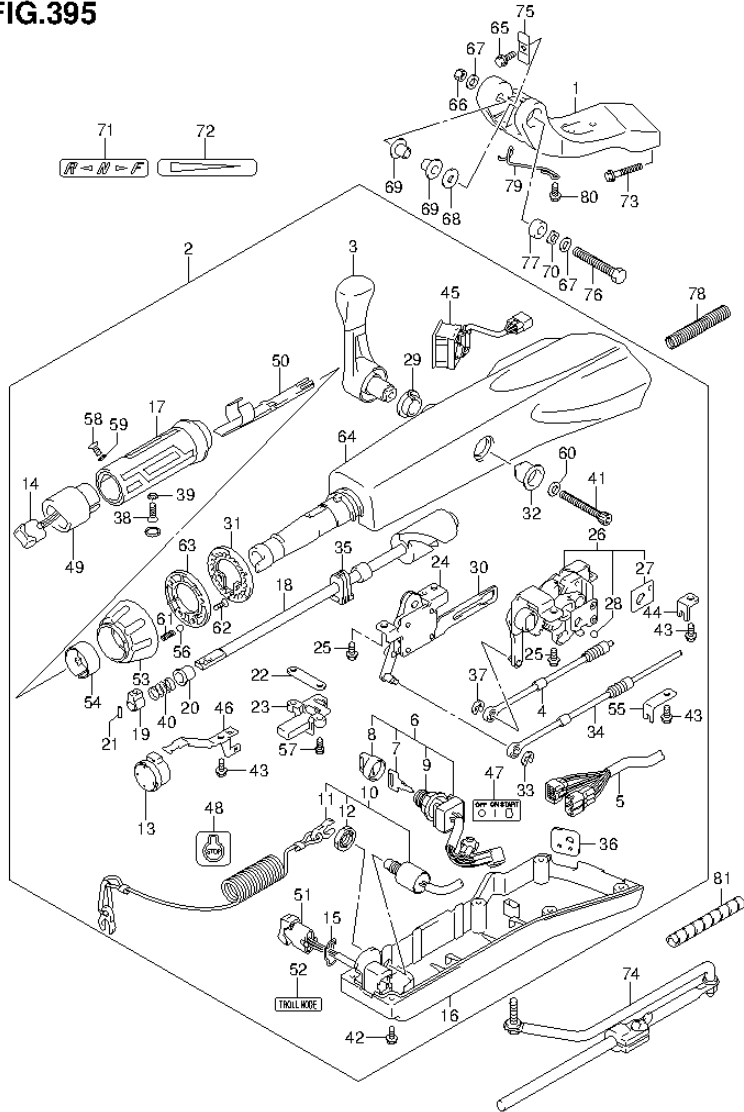


FIG.395 (4-B-6) TILLER HANDLE (DF50AVTH E01)

REF NO.	PART NO.	DESCRIPTION	Q'TY	REMARKS
58	37855-88L90	.SCREW,THROTTLE GRIP	1	
59	37854-88L90	.WASHER,THROTTLE GRIP	1	
60	63258-88L00	.WASHER	1	
61	09440-06037	.SPRING	1	
62	03522-05169	.SCREW	3	
63	63247-99J00	.PLATE,THROTTLE ADJ KNOB	1	
64	63111-88L00-0EP	.HOUSING, TILLER HANDLE (BLACK)	1	
65	09116-08137	BOLT (8X22)	1	
66	09159-12014	NUT	1	
67	09160-12066	WASHER (12.5X22X2.5)	2	
68	09160-12124	WASHER (12.5X32X1.5)	1	
69	63115-88L00	BUSH, TILLER HANDLE PIVOT	2	
70	09164-13010	WASHER	1	
71	21131-88L00	MARK, CLUTCH SHIFT	1	
72	63215-93110	MARK, HANDLE GRIP	1	
73	09116-10150	BOLT (10X55)	2	
74	43770-99E03	ADJUSTER ASSY, STEERING	1	
75	63132-88L00	STOPPER, TILLER HANDLE	1	
76	43762-88L00	BOLT, TILLER HANDLE PIVOT	1	
77	43768-88L00	SPACER, TILLER HANDLE	1	
78	33834-88L00	TUBE, CABLE PROTECTOR	1	
79	65793-88L00	HOLDER, FUEL HOSE	1	
80	09116-06237	BOLT (6X15)	2	
81	33833-91J00	TUBE, THROTTLE CABLE (L:250)	1	L:250->150

FIG.396

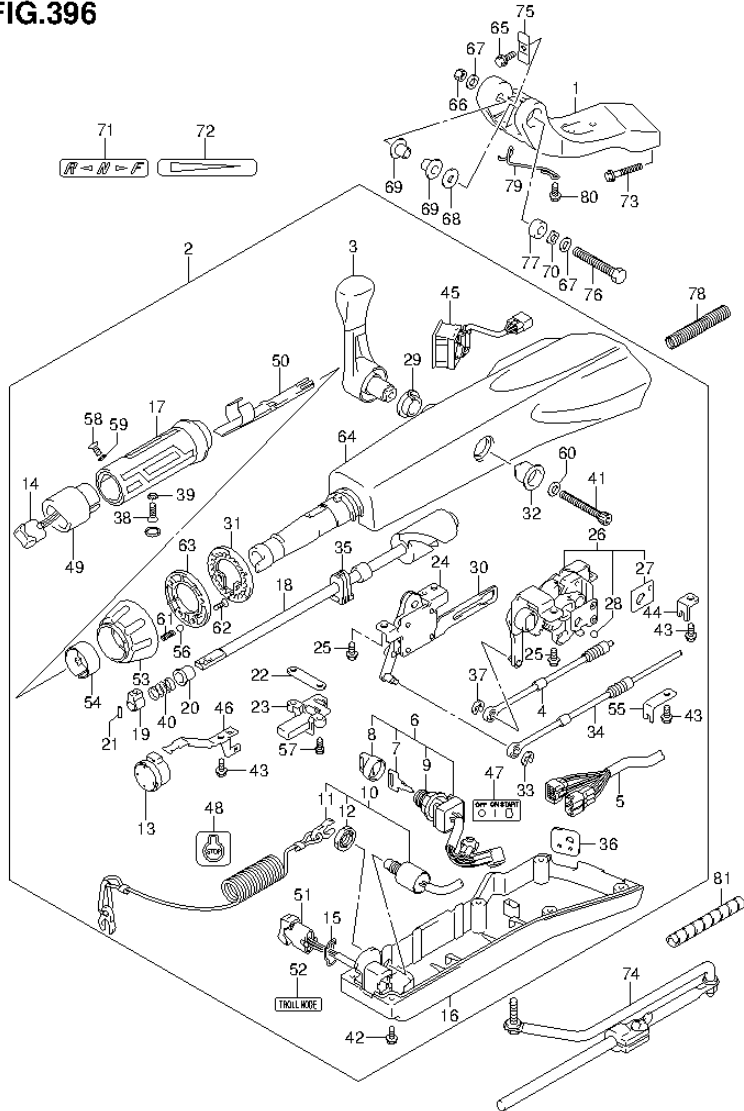


FIG.396 (4-B-7) TILLER HANDLE (DF60AVTH E01)

REF NO.	PART NO.	DESCRIPTION	Q'TY	REMARKS
1	43761-88L01-OEP	BRACKET, TILLER HANDLE (BLACK)	1	
2	63110-88L20-OEP	HANDLE ASSY, TILLER (BLACK)	1	
3	21110-88L00	.LEVER, SHIFT	1	
4	23230-88L00	.CABLE, SHIFT	1	
5	36620-88L10	.WIRE ASSY, HANDLE	1	
6	37110-87L01	.SWITCH ASSY, IGNITION	1	
7-1	37141-99E00	..KEY (931)	1	
7-2	37141-99E10	..KEY (932)	1	
7-3	37141-99E20	..KEY (933)	1	
7-4	37141-99E30	..KEY (934)	1	
7-5	37141-99E40	..KEY (935)	1	
7-6	37141-99E50	..KEY (936)	1	
7-7	37141-99E60	..KEY (937)	1	
7-8	37141-99E70	..KEY (938)	1	
7-9	37141-99E80	..KEY (939)	1	
7-10	37141-99E90	..KEY (940)	1	
7-11	37141-99EA0	..KEY (941)	1	
7-12	37141-99EB0	..KEY (942)	1	
8	37143-99E00	..CAP, KEY	1	
9	37149-93J00	..CAP, CYLINDER BODY	1	
10	37820-87L00	.SWITCH ASSY, EMERGENCY	1	
11	37823-92E01	..PLATE, LOCK	1	
12	37826-92E00	..NUT	1	
13	38500-93J90	.BUZZER	1	
14	37850-87L00	.SWITCH ASSY, PTT	1	
15	37852-87J00	.PLATE, TRIM SWITCH	1	
16	63121-88L00	.COVER, UNDER	1	
17	63210-88L00	.GRIP, HANDLE	1	
18	63221-88L00	.SHAFT, THROTTLE	1	
19	63223-92D00	.STOPPER, HANDLE ROD	1	
20	63225-88L00	.BUSH, HANDLE ROD	1	
21	63227-93200	.PIN, HANDLE ROD	1	
22	63235-88L00	.PLATE, THROTTLE SHAFT	1	
23	63246-88L00	.STOPPER THROTTLE ADJ	1	

FIG.396

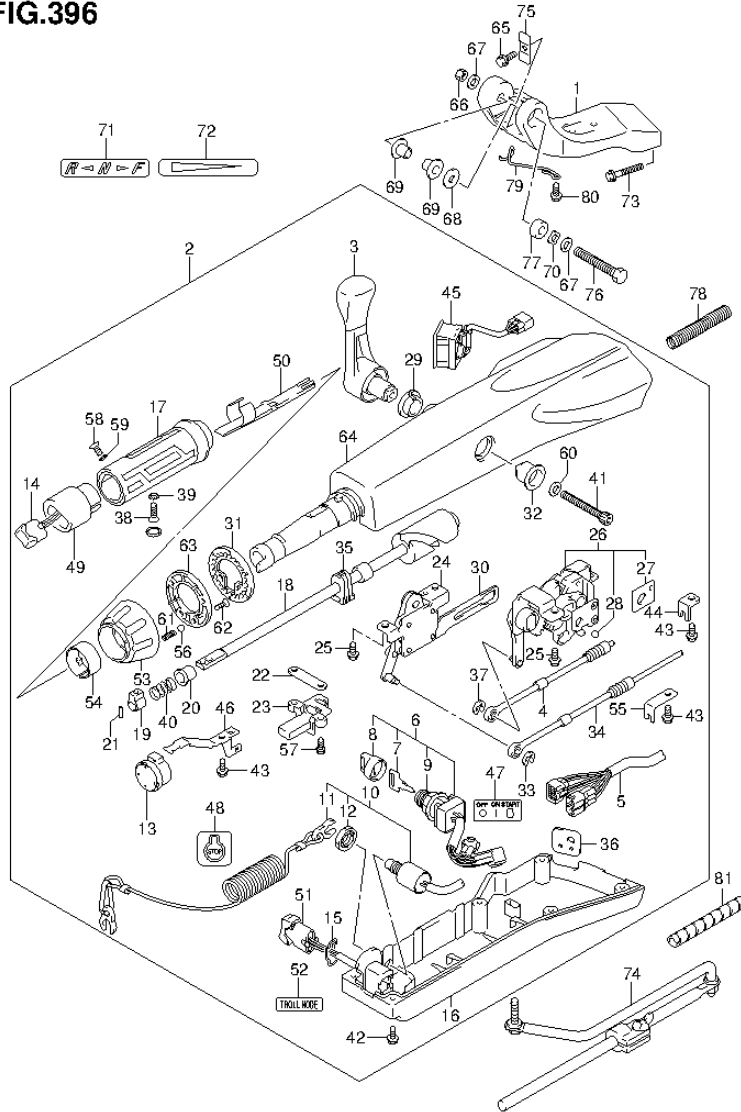


FIG.396 (4-B-8) TILLER HANDLE (DF60AVTH E01)

REF NO.	PART NO.	DESCRIPTION	Q'TY	REMARKS
24	63250-88L00	ARM ASSY, THROTTLE	1	
25	63251-87J00	.BOLT, SHIFT GEAR ASSY	4	
26	63260-88L00	.GEAR ASSY, SHIFT	1	
27	63272-87J00	.PLATE, BALL GUIDE	1	
28	63273-87J00	.BALL	1	
29	63262-87J00	.BUSH, SHIFT LEVER	1	
30	63271-87J00	.PLATE, LOCK	1	
31	63248-99J00	.PLATE, THROTTLE ADJ NOTCH	1	
32	63261-87J00	.BUSH, SHIFT GEAR	1	
33	63274-87J00	E RING	1	
34	63610-88L00	.CABLE, THROTTLE	1	
35	37853-88L90	.GROMMET, PTT SWITCH LEAD	1	
36	63626-88L00	.GROMMET, CABLE	1	
37	67292-87J00	E RING	2	
38	09126-06015	.SCREW (6X23)	1	
39	09163-06001	.LOCK WASHER	1	
40	09440-12027	.SPRING	1	
41	21112-88L00	.BOLT SHIFT LEVER	1	
42	09125-05047	.SCREW (5X14)	6	
43	63611-88L00	.BOLT CLAMP BRACKET	3	
44	63612-87J00	.BRACKET, CLAMP	1	
45	34200-87L00	.TACHOMETER ASSY, WITH MONITOR	1	
46	36617-88L90	.CLAMP PLATE, MAIN HARNESS	1	
47	37112-88L90	.LABEL, IGNITION SWITCH	1	
48	37835-95D00	.LABEL, STOP	1	
49	37851-88L90	.BASE, PTT SWITCH	1	
50	37852-88L90	.HARNESS, GUIDE	1	
51	37861-87L10	.SWITCH, TROLLING CONTROL	1	
52	37864-88L90	.LABEL, TROLL MODE	1	
53	63244-99J00	.KNOB, THROTTLE ADJ	1	
54	63245-99J00	.BUSH, THROTTLE ADJ	1	
55	63612-88L10	.BRACKET, CLAMP SHIFT	1	
56	09260-10006	.BALL	1	
57	63251-88L90	.BOLT	2	

FIG.396

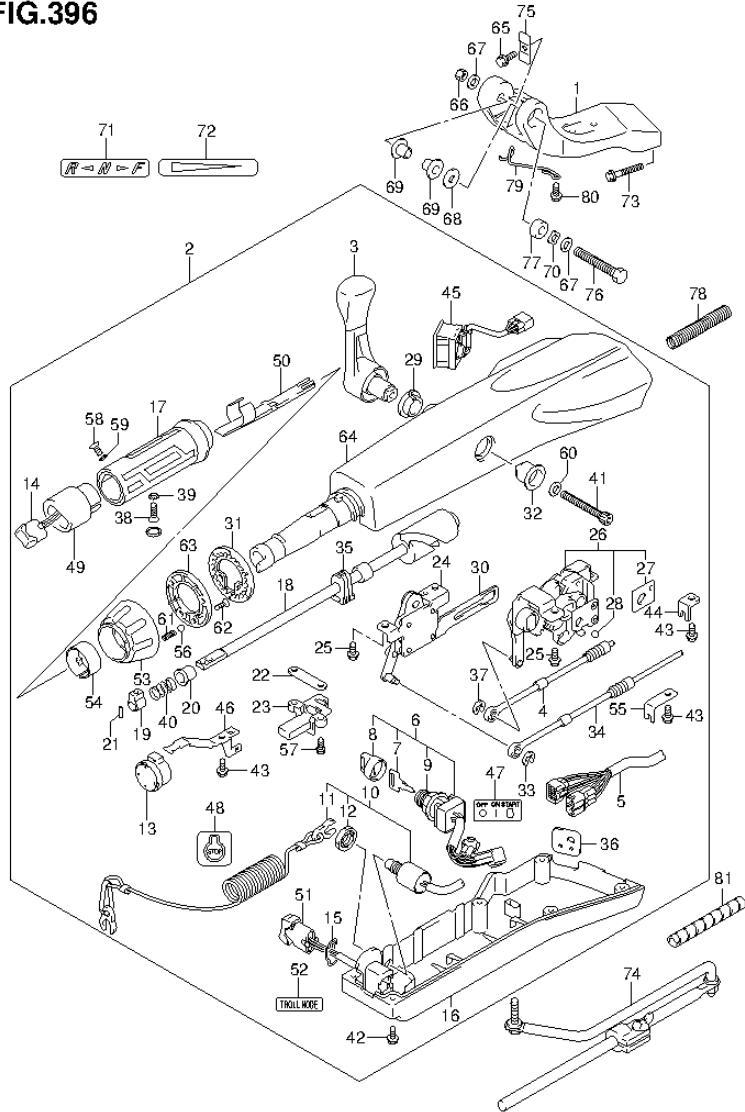


FIG.396 (4-B-9) TILLER HANDLE (DF60AVTH E01)

REF NO.	PART NO.	DESCRIPTION	Q'TY	REMARKS
58	37855-88L90	.SCREW,THROTTLE GRIP	1	
59	37854-88L90	.WASHER,THROTTLE GRIP	1	
60	63258-88L00	.WASHER	1	
61	09440-06037	.SPRING	1	
62	03522-05169	.SCREW	3	
63	63247-99J00	.PLATE,THROTTLE ADJ KNOB	1	
64	63111-88L00-0EP	.HOUSING, TILLER HANDLE (BLACK)	1	
65	09116-08137	BOLT (8X22)	1	
66	09159-12014	NUT	1	
67	09160-12066	WASHER (12.5X22X2.5)	2	
68	09160-12124	WASHER (12.5X32X1.5)	1	
69	63115-88L00	BUSH, TILLER HANDLE PIVOT	2	
70	09164-13010	WASHER	1	
71	21131-88L00	MARK, CLUTCH SHIFT	1	
72	63215-93110	MARK, HANDLE GRIP	1	
73	09116-10150	BOLT (10X55)	2	
74	43770-99E03	ADJUSTER ASSY, STEERING	1	
75	63132-88L00	STOPPER, TILLER HANDLE	1	
76	43762-88L00	BOLT, TILLER HANDLE PIVOT	1	
77	43768-88L00	SPACER, TILLER HANDLE	1	
78	33834-88L00	TUBE, CABLE PROTECTOR	1	
79	65793-88L00	HOLDER, FUEL HOSE	1	
80	09116-06237	BOLT (6X15)	2	
81	33833-91J00	TUBE, THROTTLE CABLE (L:250)	1	L:250->150

FIG.397

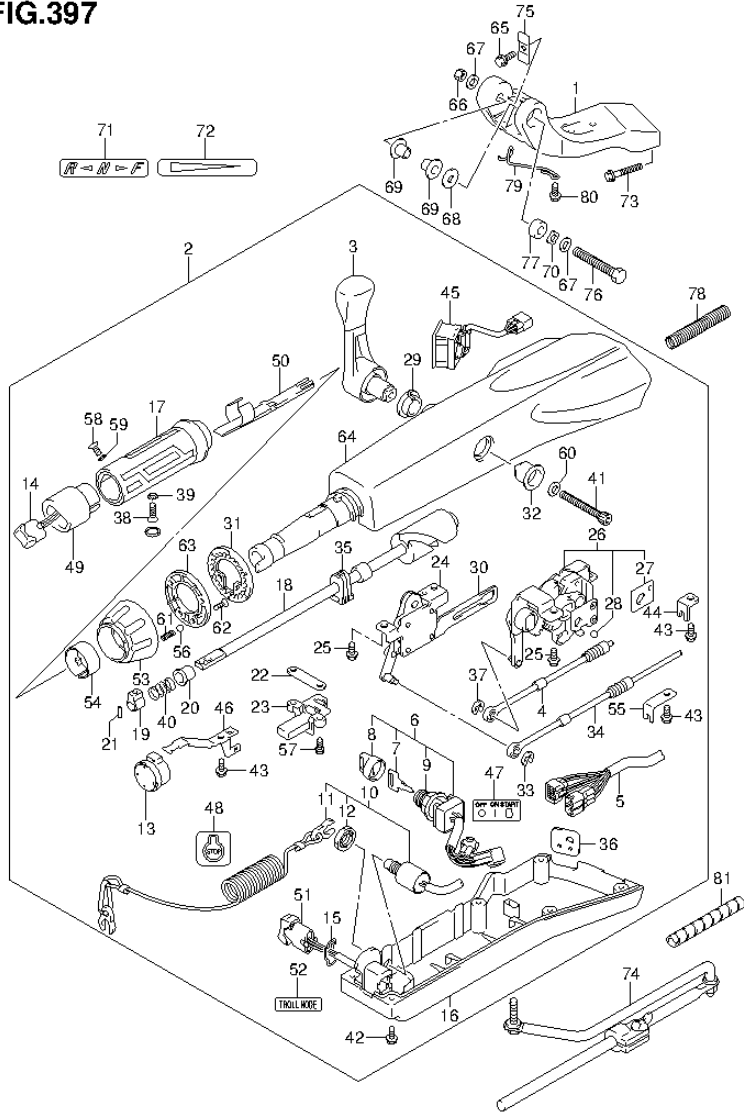


FIG.397 (4-B-10) TILLER HANDLE (DF60AVTH E40)

REF NO.	PART NO.	DESCRIPTION	Q'TY	REMARKS
1	43761-88L01-OEP	BRACKET, TILLER HANDLE (BLACK)	1	
2	63110-88L20-OEP	HANDLE ASSY, TILLER (BLACK)	1	
3	21110-88L00	.LEVER, SHIFT	1	
4	23230-88L00	.CABLE, SHIFT	1	
5	36620-88L10	.WIRE ASSY, HANDLE	1	
6	37110-87L01	.SWITCH ASSY, IGNITION	1	
7-1	37141-99E00	..KEY (931)	1	
7-2	37141-99E10	..KEY (932)	1	
7-3	37141-99E20	..KEY (933)	1	
7-4	37141-99E30	..KEY (934)	1	
7-5	37141-99E40	..KEY (935)	1	
7-6	37141-99E50	..KEY (936)	1	
7-7	37141-99E60	..KEY (937)	1	
7-8	37141-99E70	..KEY (938)	1	
7-9	37141-99E80	..KEY (939)	1	
7-10	37141-99E90	..KEY (940)	1	
7-11	37141-99EA0	..KEY (941)	1	
7-12	37141-99EB0	..KEY (942)	1	
8	37143-99E00	..CAP, KEY	1	
9	37149-93J00	..CAP, CYLINDER BODY	1	
10	37820-87L00	.SWITCH ASSY, EMERGENCY	1	
11	37823-92E01	..PLATE, LOCK	1	
12	37826-92E00	..NUT	1	
13	38500-93J90	.BUZZER	1	
14	37850-87L00	.SWITCH ASSY, PTT	1	
15	37852-87J00	.PLATE, TRIM SWITCH	1	
16	63121-88L00	.COVER, UNDER	1	
17	63210-88L00	.GRIP, HANDLE	1	
18	63221-88L00	.SHAFT, THROTTLE	1	
19	63223-92D00	.STOPPER, HANDLE ROD	1	
20	63225-88L00	.BUSH, HANDLE ROD	1	
21	63227-93200	.PIN, HANDLE ROD	1	
22	63235-88L00	.PLATE, THROTTLE SHAFT	1	
23	63246-88L00	.STOPPER THROTTLE ADJ	1	

FIG.397

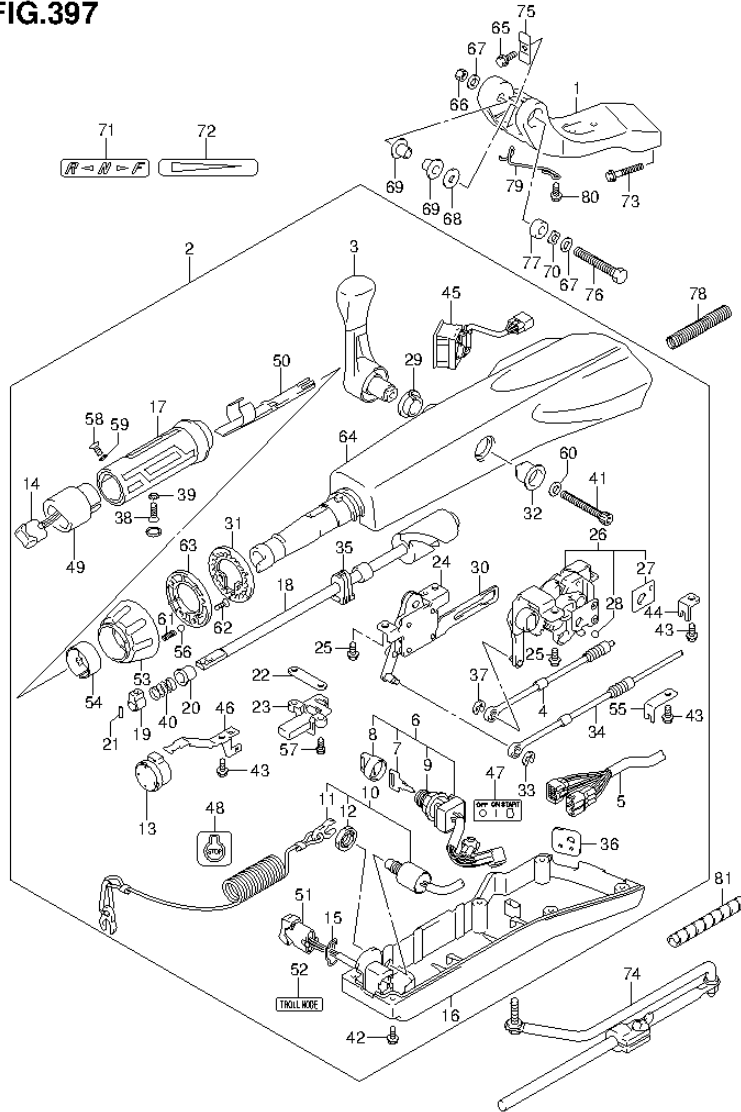


FIG.397 (4-B-11) TILLER HANDLE (DF60AVTH E40)

REF NO.	PART NO.	DESCRIPTION	Q'TY	REMARKS
24	63250-88L00	ARM ASSY, THROTTLE	1	
25	63251-87J00	.BOLT, SHIFT GEAR ASSY	4	
26	63260-88L00	.GEAR ASSY, SHIFT	1	
27	63272-87J00	.PLATE, BALL GUIDE	1	
28	63273-87J00	.BALL	1	
29	63262-87J00	.BUSH, SHIFT LEVER	1	
30	63271-87J00	.PLATE, LOCK	1	
31	63248-99J00	.PLATE, THROTTLE ADJ NOTCH	1	
32	63261-87J00	.BUSH, SHIFT GEAR	1	
33	63274-87J00	E RING	1	
34	63610-88L00	.CABLE, THROTTLE	1	
35	37853-88L90	.GROMMET, PTT SWITCH LEAD	1	
36	63626-88L00	.GROMMET, CABLE	1	
37	67292-87J00	E RING	2	
38	09126-06015	.SCREW (6X23)	1	
39	09163-06001	.LOCK WASHER	1	
40	09440-12027	.SPRING	1	
41	21112-88L00	.BOLT SHIFT LEVER	1	
42	09125-05047	.SCREW (5X14)	6	
43	63611-88L00	.BOLT CLAMP BRACKET	3	
44	63612-87J00	.BRACKET, CLAMP	1	
45	34200-87L00	.TACHOMETER ASSY, WITH MONITOR	1	
46	36617-88L90	.CLAMP PLATE, MAIN HARNESS	1	
47	37112-88L90	.LABEL, IGNITION SWITCH	1	
48	37835-95D00	.LABEL, STOP	1	
49	37851-88L90	.BASE, PTT SWITCH	1	
50	37852-88L90	.HARNESS, GUIDE	1	
51	37861-87L10	.SWITCH, TROLLING CONTROL	1	
52	37864-88L90	.LABEL, TROLL MODE	1	
53	63244-99J00	.KNOB, THROTTLE ADJ	1	
54	63245-99J00	.BUSH, THROTTLE ADJ	1	
55	63612-88L10	.BRACKET, CLAMP SHIFT	1	
56	09260-10006	.BALL	1	
57	63251-88L90	.BOLT	2	

FIG.397

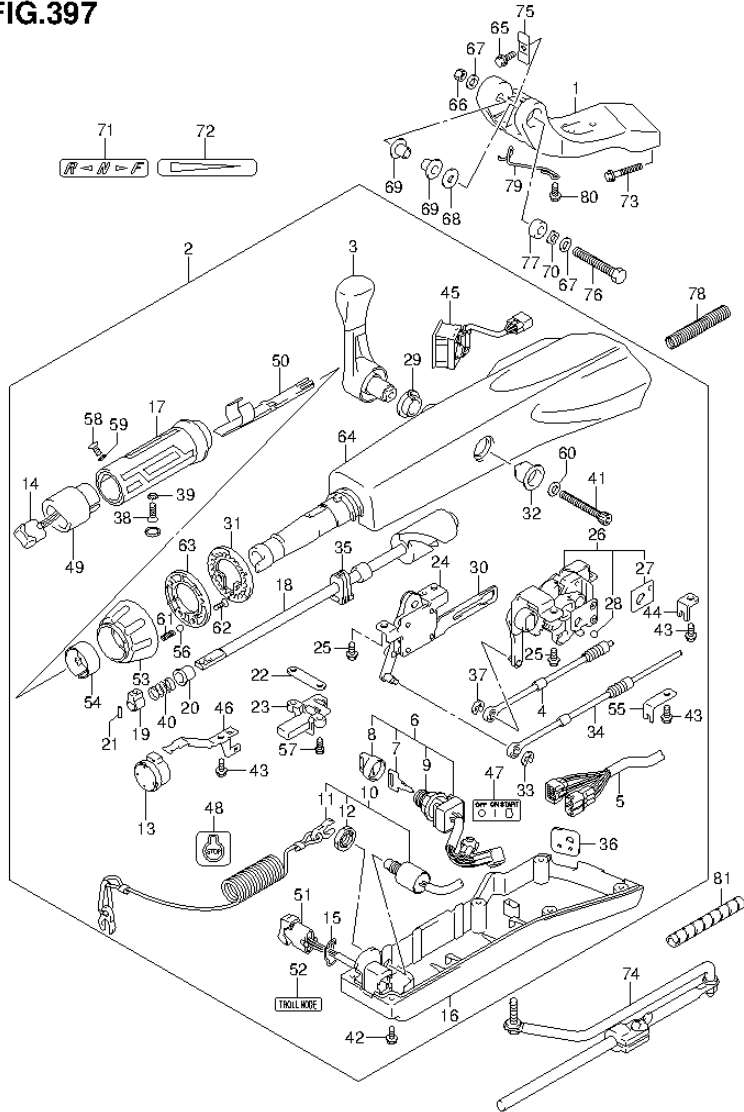


FIG.397 (4-B-12) TILLER HANDLE (DF60AVTH E40)

REF NO.	PART NO.	DESCRIPTION	Q'TY	REMARKS
58	37855-88L90	.SCREW,THROTTLE GRIP	1	
59	37854-88L90	.WASHER,THROTTLE GRIP	1	
60	63258-88L00	.WASHER	1	
61	09440-06037	.SPRING	1	
62	03522-05169	.SCREW	3	
63	63247-99J00	.PLATE,THROTTLE ADJ KNOB	1	
64	63111-88L00-0EP	.HOUSING, TILLER HANDLE (BLACK)	1	
65	09116-08137	BOLT (8X22)	1	
66	09159-12014	NUT	1	
67	09160-12066	WASHER (12.5X22X2.5)	2	
68	09160-12124	WASHER (12.5X32X1.5)	1	
69	63115-88L00	BUSH, TILLER HANDLE PIVOT	2	
70	09164-13010	WASHER	1	
71	21131-88L00	MARK, CLUTCH SHIFT	1	
72	63215-93110	MARK, HANDLE GRIP	1	
73	09116-10150	BOLT (10X55)	2	
74	43770-99E03	ADJUSTER ASSY, STEERING	1	
75	63132-88L00	STOPPER, TILLER HANDLE	1	
76	43762-88L00	BOLT, TILLER HANDLE PIVOT	1	
77	43768-88L00	SPACER, TILLER HANDLE	1	
78	33834-88L00	TUBE, CABLE PROTECTOR	1	
79	65793-88L00	HOLDER, FUEL HOSE	1	
80	09116-06237	BOLT (6X15)	2	
81	33833-91J00	TUBE, THROTTLE CABLE (L:250)	1	L:250->150

FIG.398

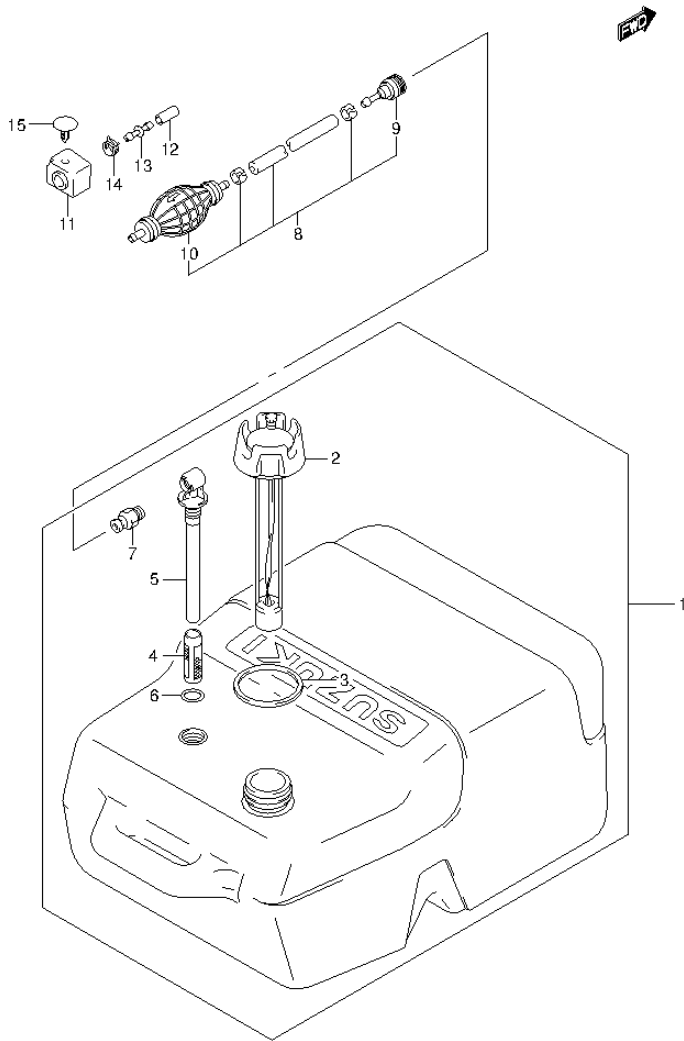


FIG.398 (4-B-13) FUEL TANK (PLASTIC)

REF NO.	PART NO.	DESCRIPTION	Q'TY	REMARKS
1	65000-95D01	TANK ASSY, FUEL (25L)	1	
2	65520-95D00	.CAP ASSY, FUEL TANK	1	
3	65561-95D00	.GASKET, TANK CAP	1	
4	65831-95D00	.FILTER, OUTLET	1	
5	65890-95D00	.OUTLET ASSY	1	
6	65892-95D00	.O RING, FUEL OUTLET	1	
7	65740-95D01	.PLUG, FUEL CONNECTOR	1	
8	65700-90J14	HOSE, FUEL	1	
9	65750-95500	.SOCKET	1	
10	65770-90J11	.PUMP, SQUEEZE	1	
11	61188-88L00	GROMMET, FUEL HOSE	1	
12	09251-07003	CAP (OD:11.5)	1	
13	09367-08001	JOINT	1	
14	09401-11423	CLIP	1	
15	09409-05312-6GS	CLIP (GRAY)	1	

FIG.399

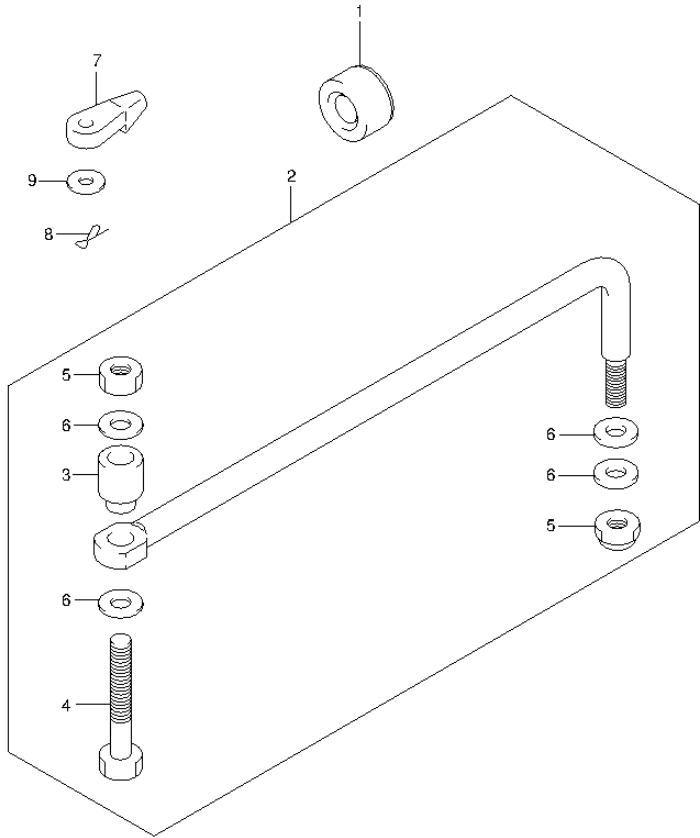


FIG.399 (4-B-14) DRAG LINK (DF40A E01)

REF NO.	PART NO.	DESCRIPTION	Q'TY	REMARKS
1	41161-94400	SEAL, STEERING CABLE	1	
2	67701-87J11	LINK, DRAG	1	
3	67721-87J00	.SPACER	1	
4	67725-99E00	.BOLT, DRAG LINK	1	
5	67726-99E00	.NUT	2	
6	67728-99E00	.WASHER	4	
7	67467-89J01	CONNECTOR, REMOCON CABLE	2	
8	09385-06012	CLIP	2	
9	09160-06055	WASHER (7X12X1)	2	

FIG.400

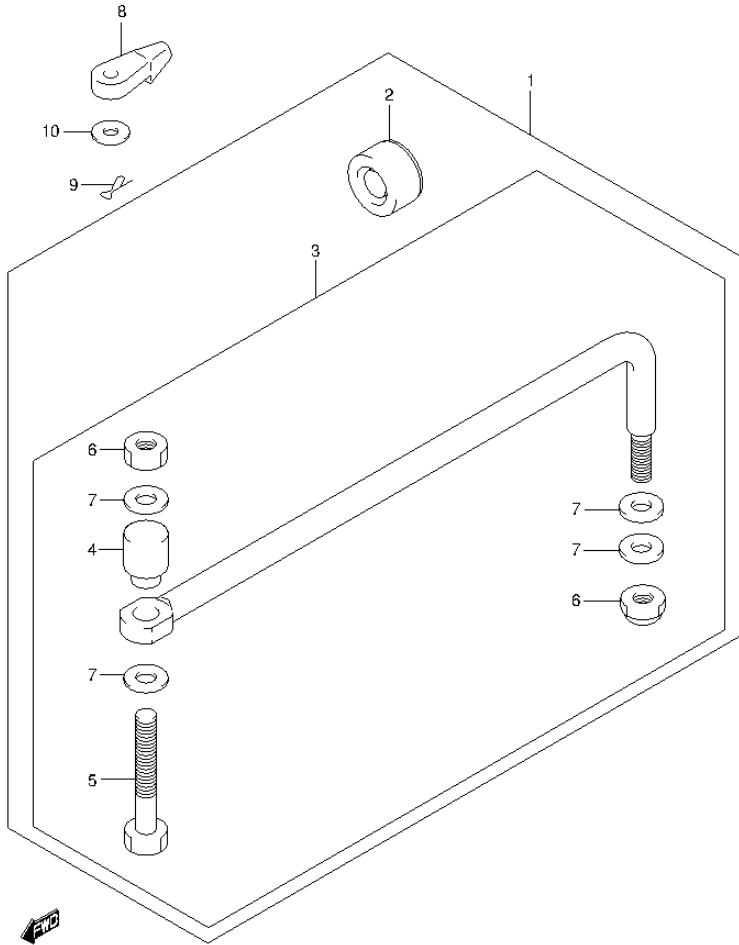


FIG.400 (4-B-15) DRAG LINK (DF40AQH E01)

REF NO.	PART NO.	DESCRIPTION	Q'TY	REMARKS
1	67700-93J00	LINK SET, DRAG	1	OPT
2	41161-94400	..SEAL, STEERING CABLE	1	OPT
3	67701-87J11	..LINK ASSY, DRAG	1	OPT
4	67721-87J00	..SPACER	1	OPT
5	67725-99E00	..BOLT, DRAG LINK	1	OPT
6	67726-99E00	..NUT	2	OPT
7	67728-99E00	..WASHER	4	OPT
8	67467-89J01	CONNECTOR, REMOCON CABLE	2	
9	09385-06012	CLIP	2	
10	09160-06055	WASHER (7X12X1)	2	

FIG.401

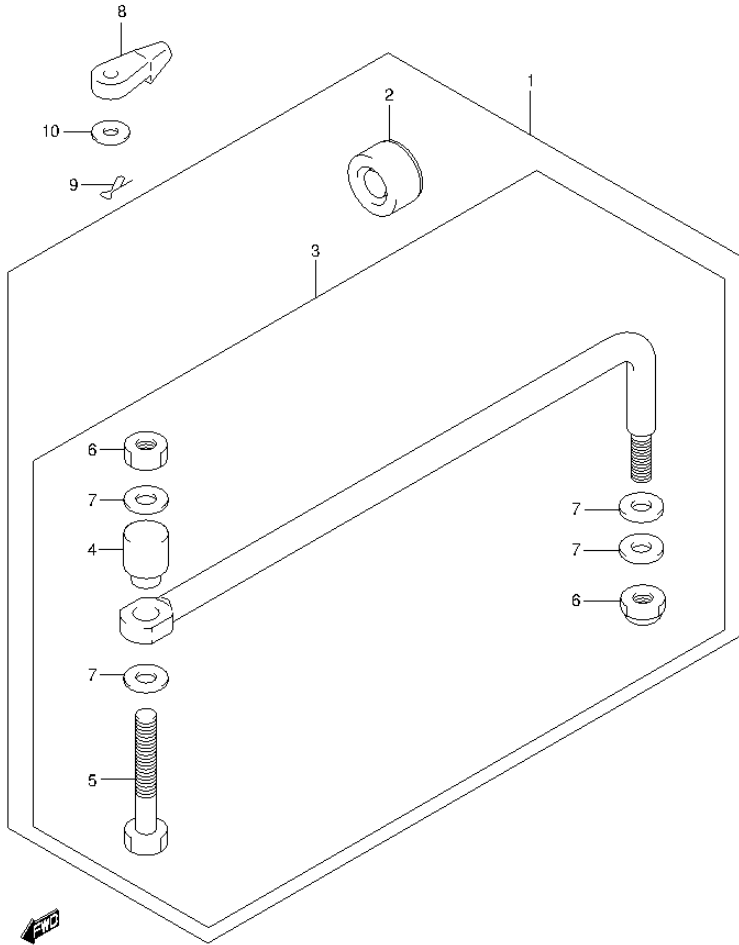


FIG.401 (4-C-2) DRAG LINK (DF40ATH E01)

REF NO.	PART NO.	DESCRIPTION	Q'TY	REMARKS
1	67700-93J00	LINK SET, DRAG	1	OPT
2	41161-94400	..SEAL, STEERING CABLE	1	OPT
3	67701-87J11	..LINK ASSY, DRAG	1	OPT
4	67721-87J00	..SPACER	1	OPT
5	67725-99E00	..BOLT, DRAG LINK	1	OPT
6	67726-99E00	..NUT	2	OPT
7	67728-99E00	..WASHER	4	OPT
8	67467-89J01	CONNECTOR, REMOCON CABLE	2	
9	09385-06012	CLIP	2	
10	09160-06055	WASHER (7X12X1)	2	

FIG.402

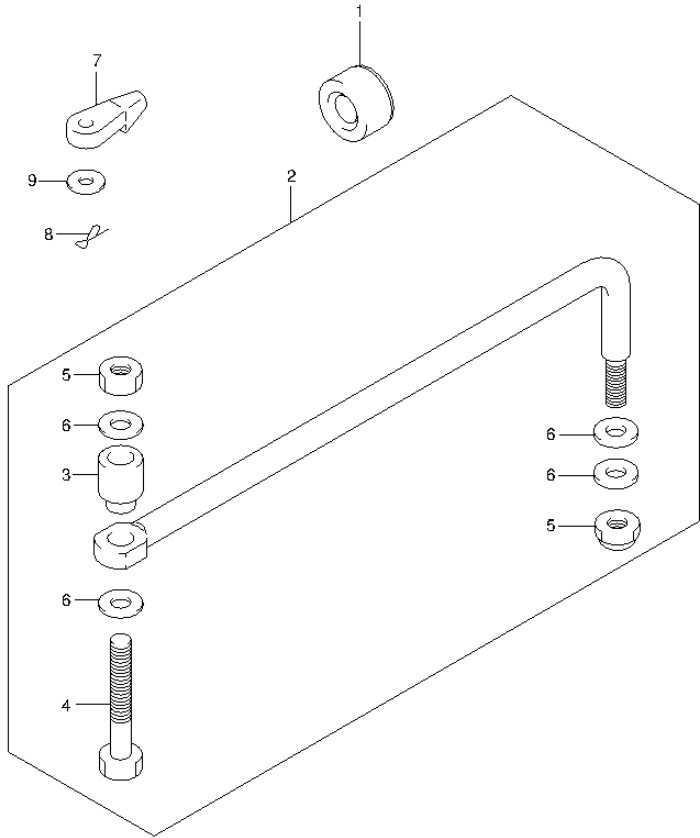


FIG.402 (4-C-3) DRAG LINK (DF40AST E34)

REF NO.	PART NO.	DESCRIPTION	Q'TY	REMARKS
1	41161-94400	SEAL, STEERING CABLE	1	
2	67701-87J11	LINK, DRAG	1	
3	67721-87J00	.SPACER	1	
4	67725-99E00	.BOLT, DRAG LINK	1	
5	67726-99E00	.NUT	2	
6	67728-99E00	.WASHER	4	
7	67467-89J01	CONNECTOR, REMOCON CABLE	2	
8	09385-06012	CLIP	2	
9	09160-06055	WASHER (7X12X1)	2	

FIG.403

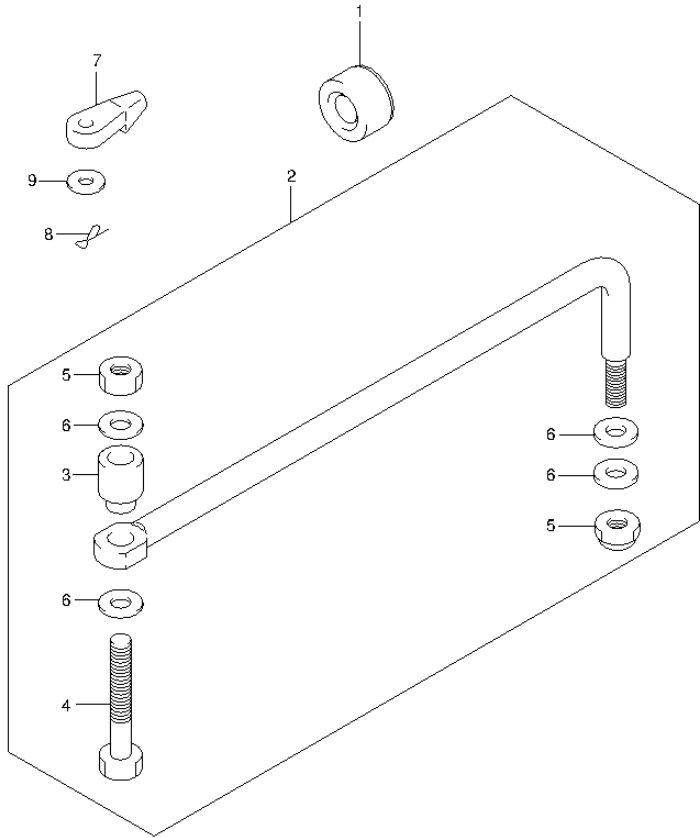


FIG.403 (4-C-4) DRAG LINK (DF50A E01)

REF NO.	PART NO.	DESCRIPTION	Q'TY	REMARKS
1	41161-94400	SEAL, STEERING CABLE	1	
2	67701-87J11	LINK, DRAG	1	
3	67721-87J00	.SPACER	1	
4	67725-99E00	.BOLT, DRAG LINK	1	
5	67726-99E00	.NUT	2	
6	67728-99E00	.WASHER	4	
7	67467-89J01	CONNECTOR, REMOCON CABLE	2	
8	09385-06012	CLIP	2	
9	09160-06055	WASHER (7X12X1)	2	

FIG.404

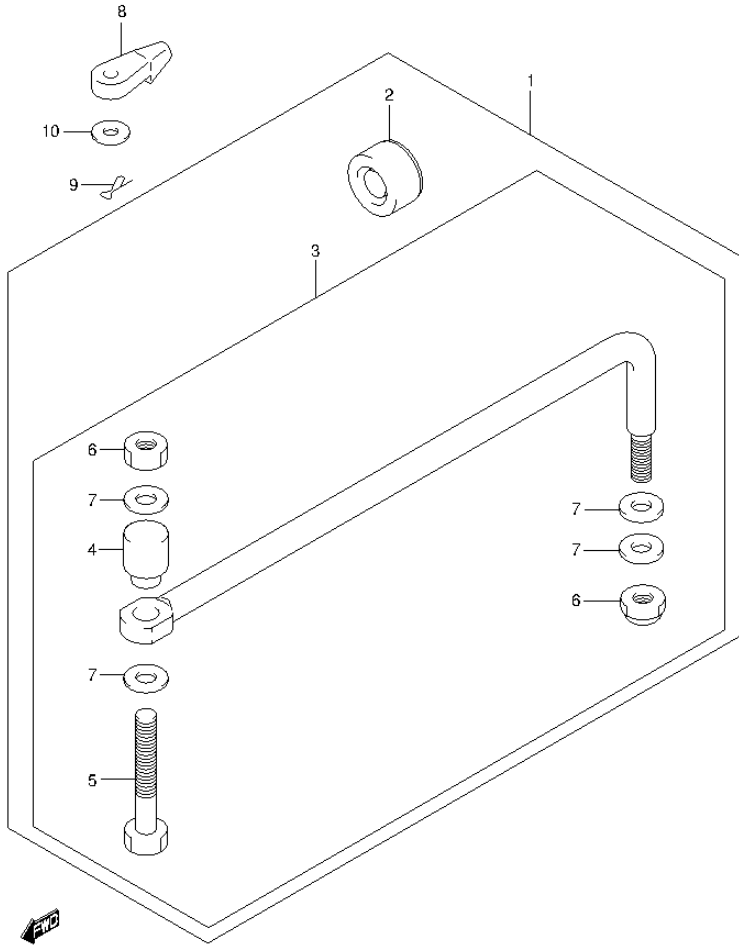


FIG.404 (4-C-5) DRAG LINK (DF50ATH E01)

REF NO.	PART NO.	DESCRIPTION	Q'TY	REMARKS
1	67700-93J00	LINK SET, DRAG	1	OPT
2	41161-94400	..SEAL, STEERING CABLE	1	OPT
3	67701-87J11	..LINK ASSY, DRAG	1	OPT
4	67721-87J00	..SPACER	1	OPT
5	67725-99E00	..BOLT, DRAG LINK	1	OPT
6	67726-99E00	..NUT	2	OPT
7	67728-99E00	..WASHER	4	OPT
8	67467-89J01	CONNECTOR, REMOCON CABLE	2	
9	09385-06012	CLIP	2	
10	09160-06055	WASHER (7X12X1)	2	

FIG.405

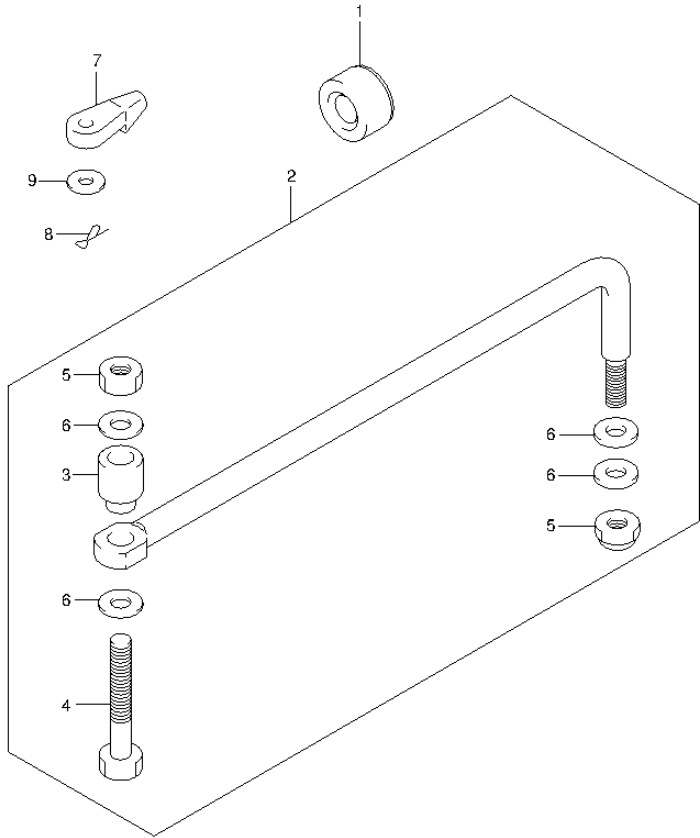


FIG.405 (4-C-6) DRAG LINK (DF60A E01)

REF NO.	PART NO.	DESCRIPTION	Q'TY	REMARKS
1	41161-94400	SEAL, STEERING CABLE	1	
2	67701-87J11	LINK, DRAG	1	
3	67721-87J00	.SPACER	1	
4	67725-99E00	.BOLT, DRAG LINK	1	
5	67726-99E00	.NUT	2	
6	67728-99E00	.WASHER	4	
7	67467-89J01	CONNECTOR, REMOCON CABLE	2	
8	09385-06012	CLIP	2	
9	09160-06055	WASHER (7X12X1)	2	

FIG.406

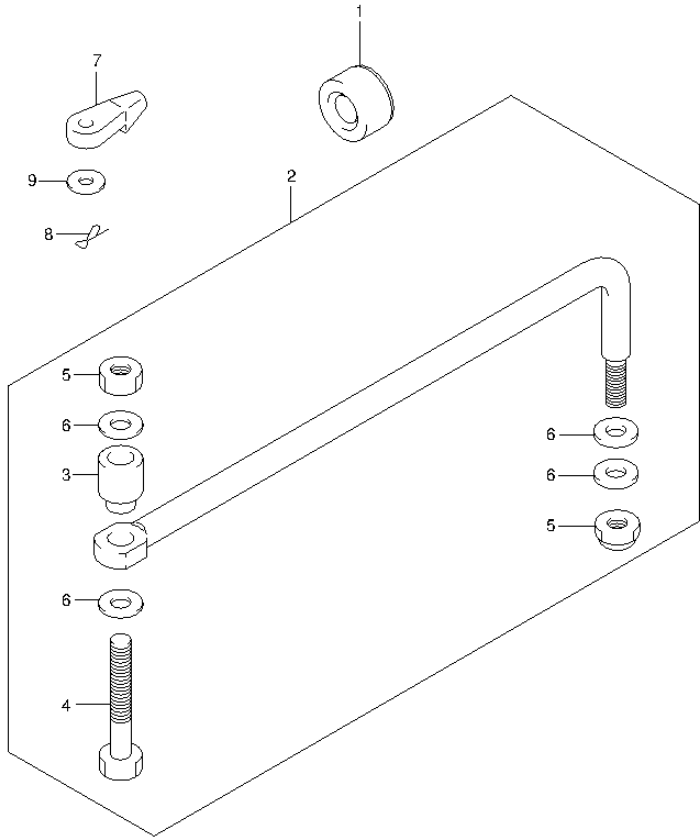


FIG.406 (4-C-7) DRAG LINK (DF60A E40)

REF NO.	PART NO.	DESCRIPTION	Q'TY	REMARKS
1	41161-94400	SEAL, STEERING CABLE	1	
2	67701-87J11	LINK, DRAG	1	
3	67721-87J00	.SPACER	1	
4	67725-99E00	.BOLT, DRAG LINK	1	
5	67726-99E00	.NUT	2	
6	67728-99E00	.WASHER	4	
7	67467-89J01	CONNECTOR, REMOCON CABLE	2	
8	09385-06012	CLIP	2	
9	09160-06055	WASHER (7X12X1)	2	

FIG.407

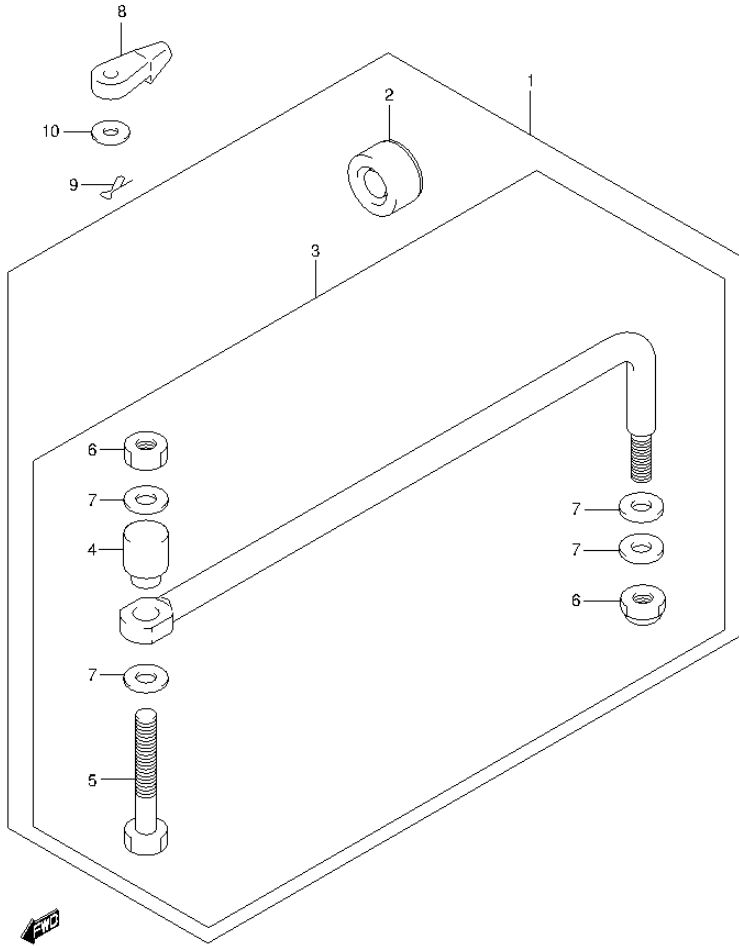


FIG.407 (4-C-8) DRAG LINK (DF60AQH E01)

REF NO.	PART NO.	DESCRIPTION	Q'TY	REMARKS
1	67700-93J00	LINK SET, DRAG	1	OPT
2	41161-94400	..SEAL, STEERING CABLE	1	OPT
3	67701-87J11	..LINK ASSY, DRAG	1	OPT
4	67721-87J00	..SPACER	1	OPT
5	67725-99E00	..BOLT, DRAG LINK	1	OPT
6	67726-99E00	..NUT	2	OPT
7	67728-99E00	..WASHER	4	OPT
8	67467-89J01	CONNECTOR, REMOCON CABLE	2	
9	09385-06012	CLIP	2	
10	09160-06055	WASHER (7X12X1)	2	

FIG.408

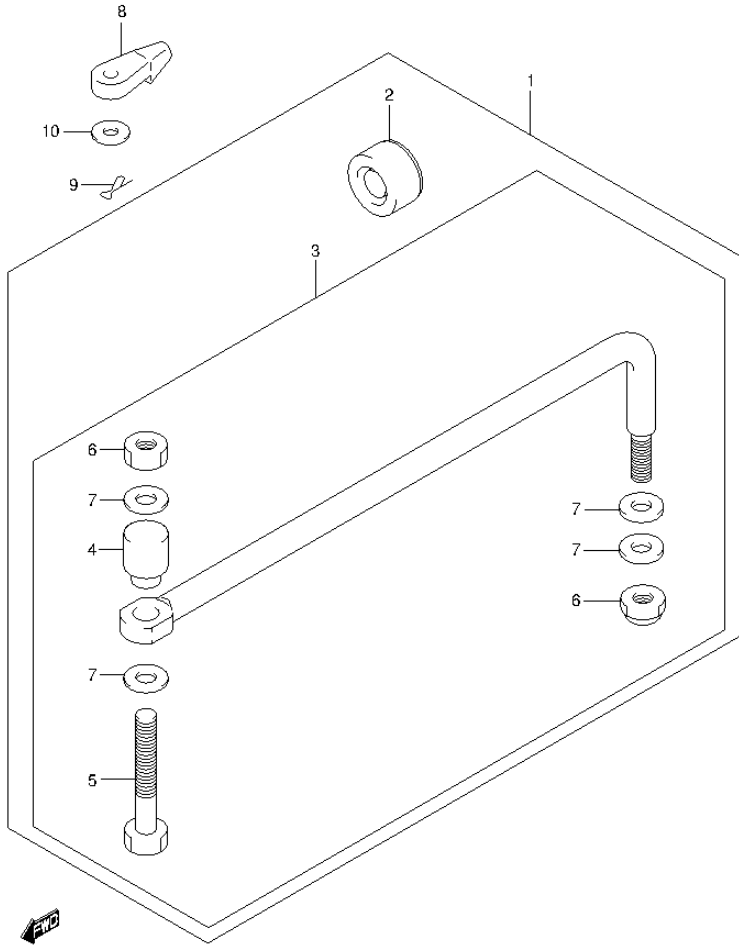


FIG.408 (4-C-9) DRAG LINK (DF60AQH E40)

REF NO.	PART NO.	DESCRIPTION	Q'TY	REMARKS
1	67700-93J00	LINK SET, DRAG	1	OPT
2	41161-94400	..SEAL, STEERING CABLE	1	OPT
3	67701-87J11	..LINK ASSY, DRAG	1	OPT
4	67721-87J00	..SPACER	1	OPT
5	67725-99E00	..BOLT, DRAG LINK	1	OPT
6	67726-99E00	..NUT	2	OPT
7	67728-99E00	..WASHER	4	OPT
8	67467-89J01	CONNECTOR, REMOCON CABLE	2	
9	09385-06012	CLIP	2	
10	09160-06055	WASHER (7X12X1)	2	

FIG.409

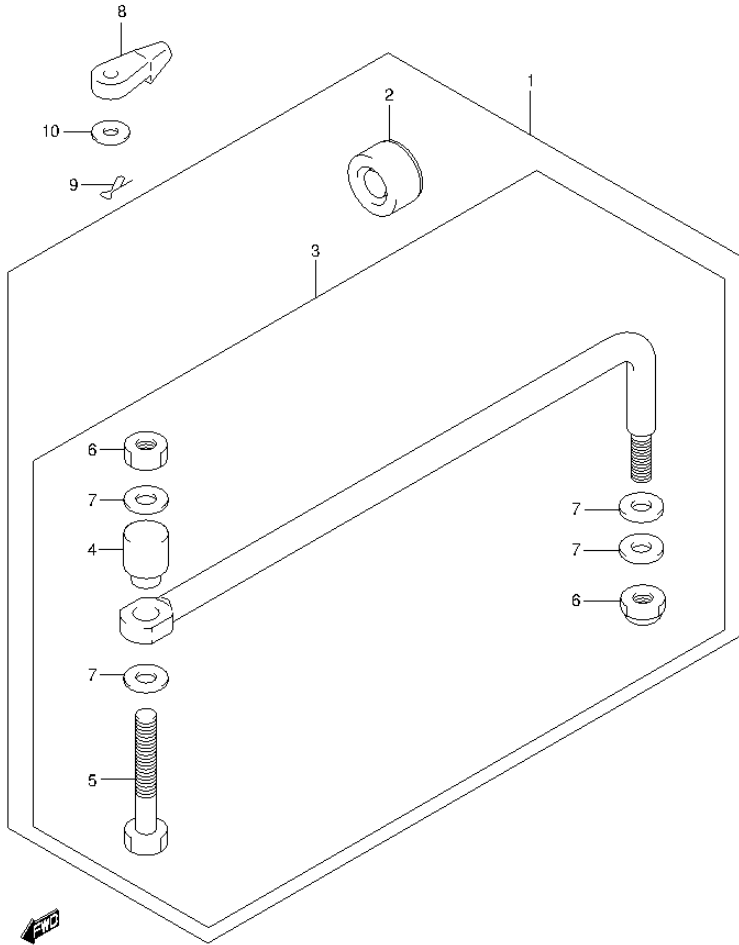


FIG.409 (4-C-10) DRAG LINK (DF60ATH E01)

REF NO.	PART NO.	DESCRIPTION	Q'TY	REMARKS
1	67700-93J00	LINK SET, DRAG	1	OPT
2	41161-94400	..SEAL, STEERING CABLE	1	OPT
3	67701-87J11	..LINK ASSY, DRAG	1	OPT
4	67721-87J00	..SPACER	1	OPT
5	67725-99E00	..BOLT, DRAG LINK	1	OPT
6	67726-99E00	..NUT	2	OPT
7	67728-99E00	..WASHER	4	OPT
8	67467-89J01	CONNECTOR, REMOCON CABLE	2	
9	09385-06012	CLIP	2	
10	09160-06055	WASHER (7X12X1)	2	

FIG.410

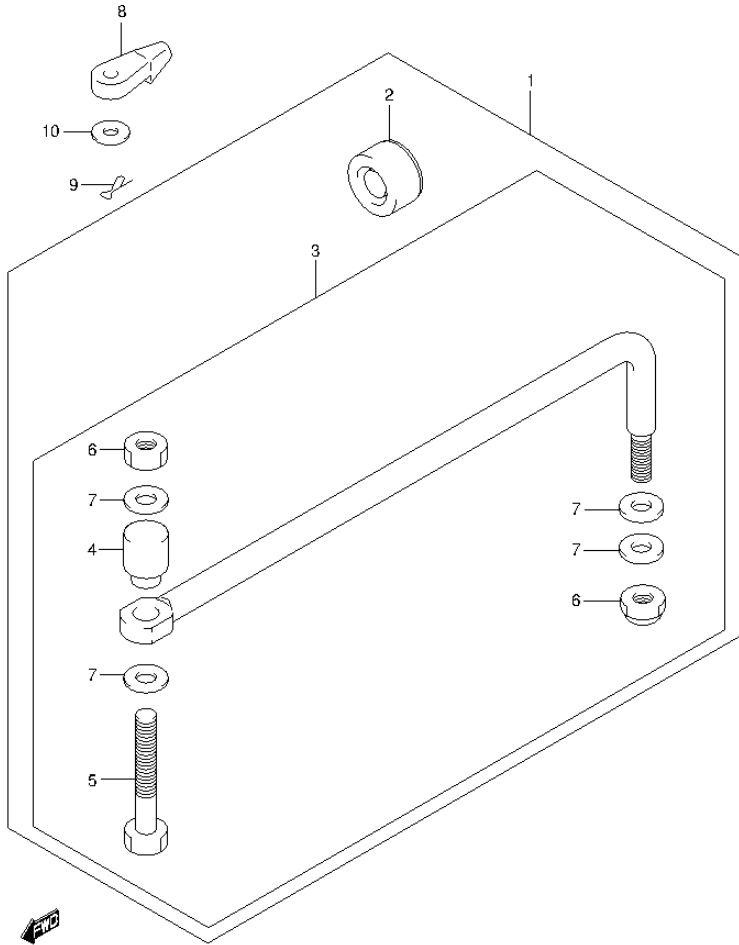


FIG.410 (4-C-11) DRAG LINK (DF60ATH E40)

REF NO.	PART NO.	DESCRIPTION	Q'TY	REMARKS
1	67700-93J00	LINK SET, DRAG	1	OPT
2	41161-94400	..SEAL, STEERING CABLE	1	OPT
3	67701-87J11	..LINK ASSY, DRAG	1	OPT
4	67721-87J00	..SPACER	1	OPT
5	67725-99E00	..BOLT, DRAG LINK	1	OPT
6	67726-99E00	..NUT	2	OPT
7	67728-99E00	..WASHER	4	OPT
8	67467-89J01	CONNECTOR, REMOCON CABLE	2	
9	09385-06012	CLIP	2	
10	09160-06055	WASHER (7X12X1)	2	

FIG.411

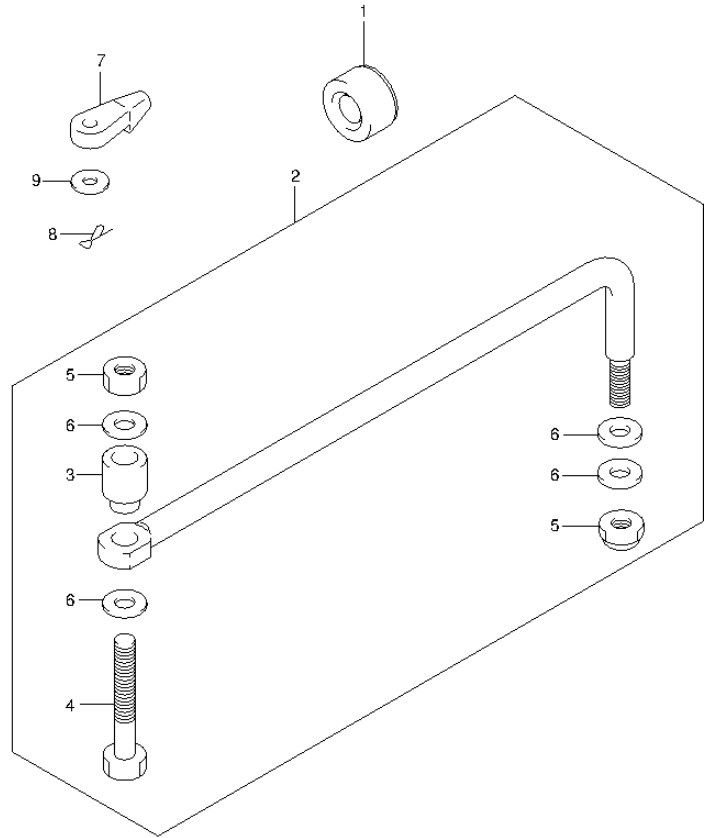


FIG.411 (4-C-12) DRAG LINK (DF50AVT E01)

REF NO.	PART NO.	DESCRIPTION	Q'TY	REMARKS
1	41161-94400	SEAL, STEERING CABLE	1	
2	67701-87J11	LINK, DRAG	1	
3	67721-87J00	.SPACER	1	
4	67725-99E00	.BOLT, DRAG LINK	1	
5	67726-99E00	.NUT	2	
6	67728-99E00	.WASHER	4	
7	67467-89J01	CONNECTOR, REMOCON CABLE	2	
8	09385-06012	CLIP	2	
9	09160-06055	WASHER (7X12X1)	2	

FIG.412

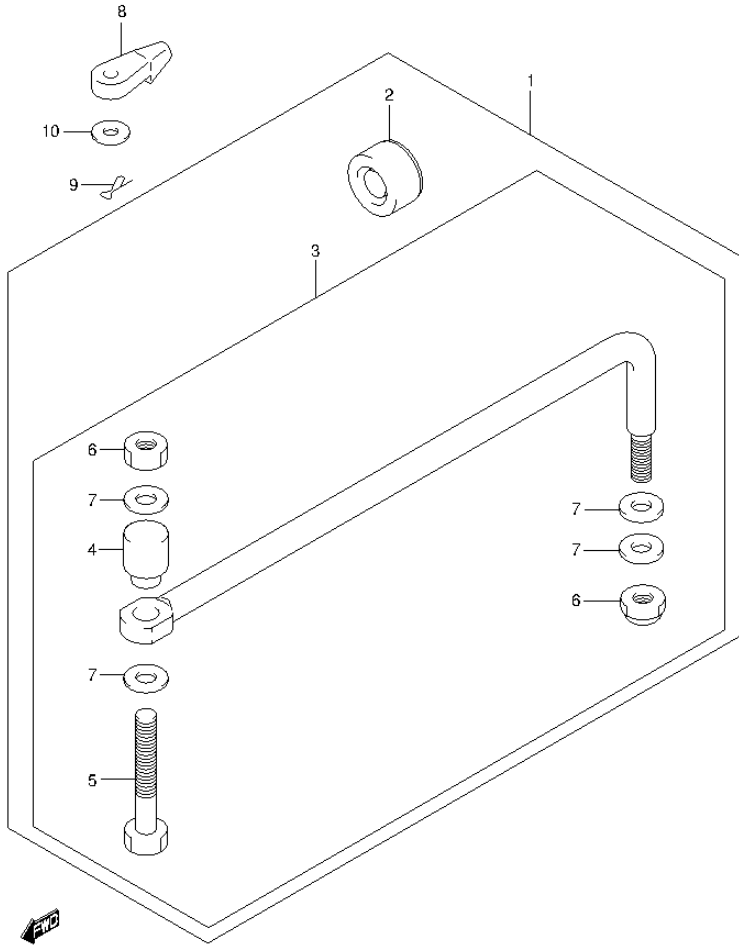


FIG.412 (4-C-13) DRAG LINK (DF50AVTH E01)

REF NO.	PART NO.	DESCRIPTION	Q'TY	REMARKS
1	67700-93J00	LINK SET, DRAG	1	OPT
2	41161-94400	..SEAL, STEERING CABLE	1	OPT
3	67701-87J11	..LINK ASSY, DRAG	1	OPT
4	67721-87J00	..SPACER	1	OPT
5	67725-99E00	..BOLT, DRAG LINK	1	OPT
6	67726-99E00	..NUT	2	OPT
7	67728-99E00	..WASHER	4	OPT
8	67467-89J01	CONNECTOR, REMOCON CABLE	2	
9	09385-06012	CLIP	2	
10	09160-06055	WASHER (7X12X1)	2	

FIG.413

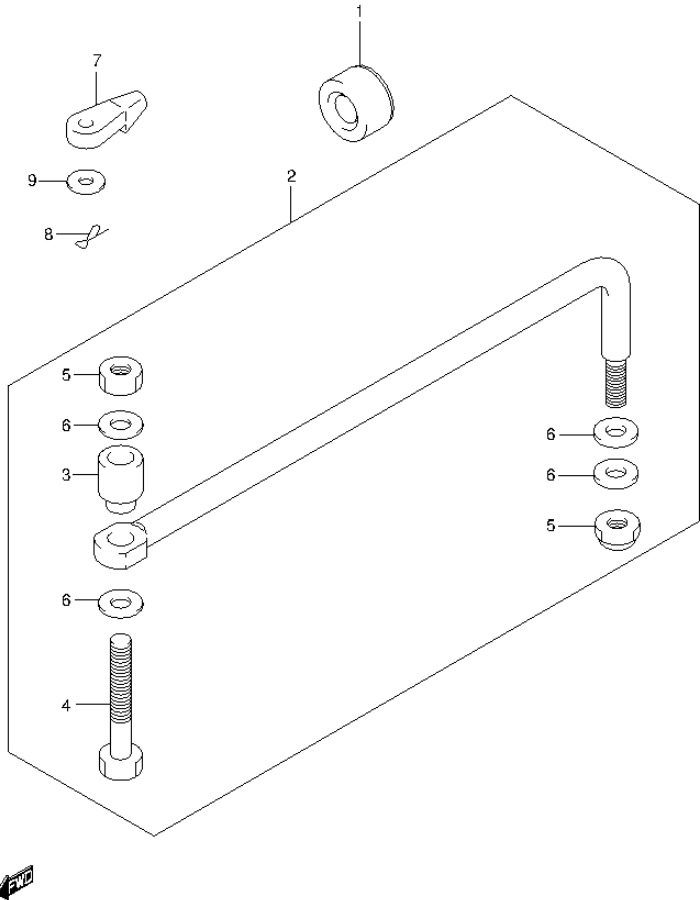


FIG.413 (4-C-14) DRAG LINK (DF60AVT E01)

REF NO.	PART NO.	DESCRIPTION	Q'TY	REMARKS
1	41161-94400	SEAL, STEERING CABLE	1	
2	67701-87J11	LINK, DRAG	1	
3	67721-87J00	.SPACER	1	
4	67725-99E00	.BOLT, DRAG LINK	1	
5	67726-99E00	.NUT	2	
6	67728-99E00	.WASHER	4	
7	67467-89J01	CONNECTOR, REMOCON CABLE	2	
8	09385-06012	CLIP	2	
9	09160-06055	WASHER (7X12X1)	2	

FIG.414

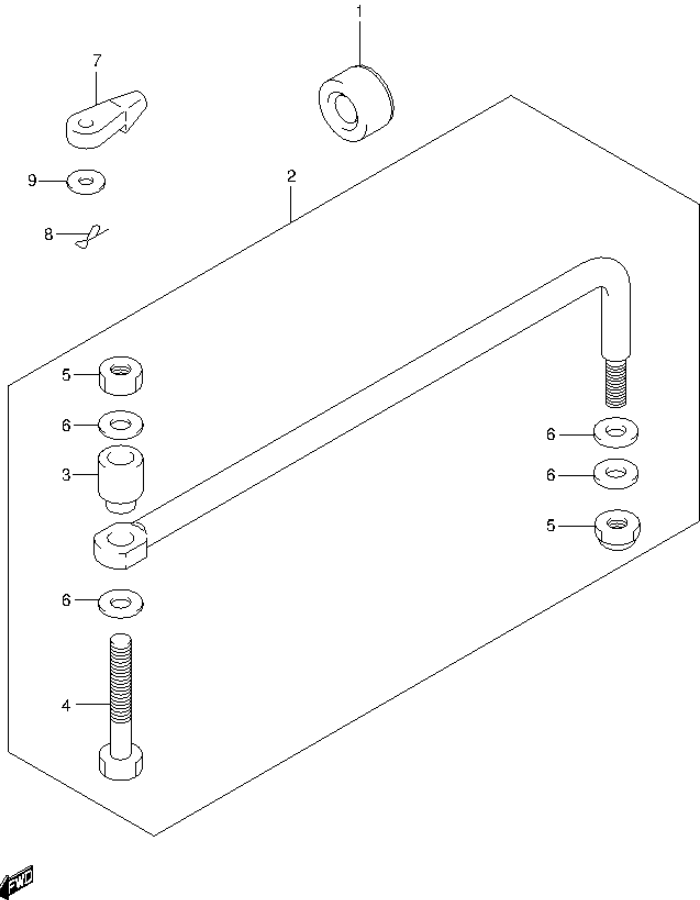


FIG.414 (4-C-15) DRAG LINK (DF60AVT E40)

REF NO.	PART NO.	DESCRIPTION	Q'TY	REMARKS
1	41161-94400	SEAL, STEERING CABLE	1	
2	67701-87J11	LINK, DRAG	1	
3	67721-87J00	.SPACER	1	
4	67725-99E00	.BOLT, DRAG LINK	1	
5	67726-99E00	.NUT	2	
6	67728-99E00	.WASHER	4	
7	67467-89J01	CONNECTOR, REMOCON CABLE	2	
8	09385-06012	CLIP	2	
9	09160-06055	WASHER (7X12X1)	2	

FIG.415

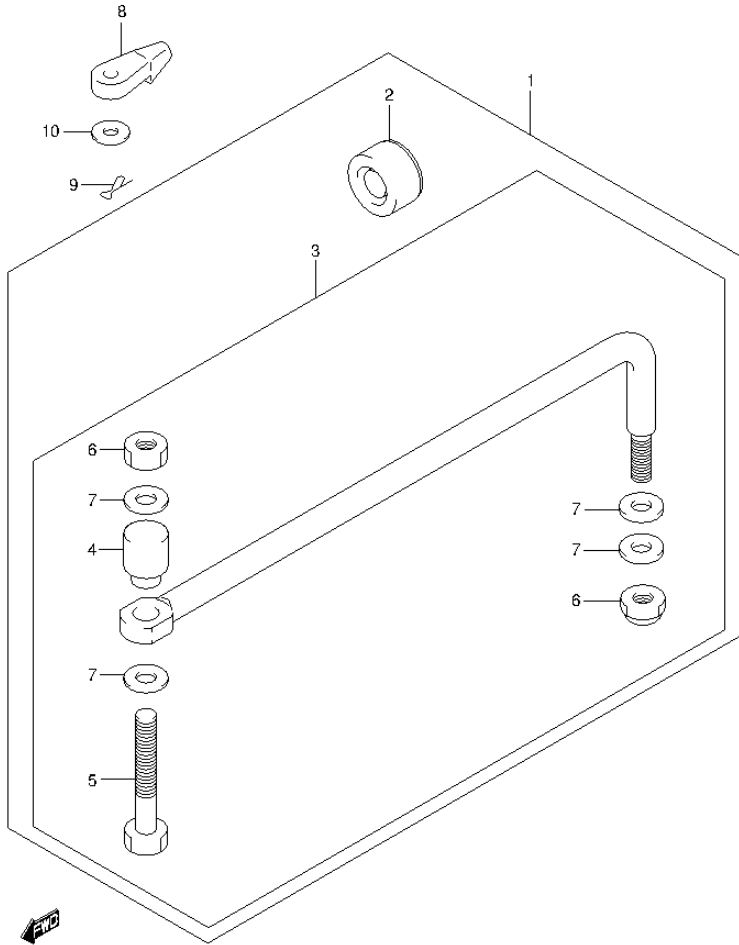


FIG.415 (4-D-2) DRAG LINK (DF60AVTH E01)

REF NO.	PART NO.	DESCRIPTION	Q'TY	REMARKS
1	67700-93J00	LINK SET, DRAG	1	OPT
2	41161-94400	..SEAL, STEERING CABLE	1	OPT
3	67701-87J11	..LINK ASSY, DRAG	1	OPT
4	67721-87J00	..SPACER	1	OPT
5	67725-99E00	..BOLT, DRAG LINK	1	OPT
6	67726-99E00	..NUT	2	OPT
7	67728-99E00	..WASHER	4	OPT
8	67467-89J01	CONNECTOR, REMOCON CABLE	2	
9	09385-06012	CLIP	2	
10	09160-06055	WASHER (7X12X1)	2	

FIG.416

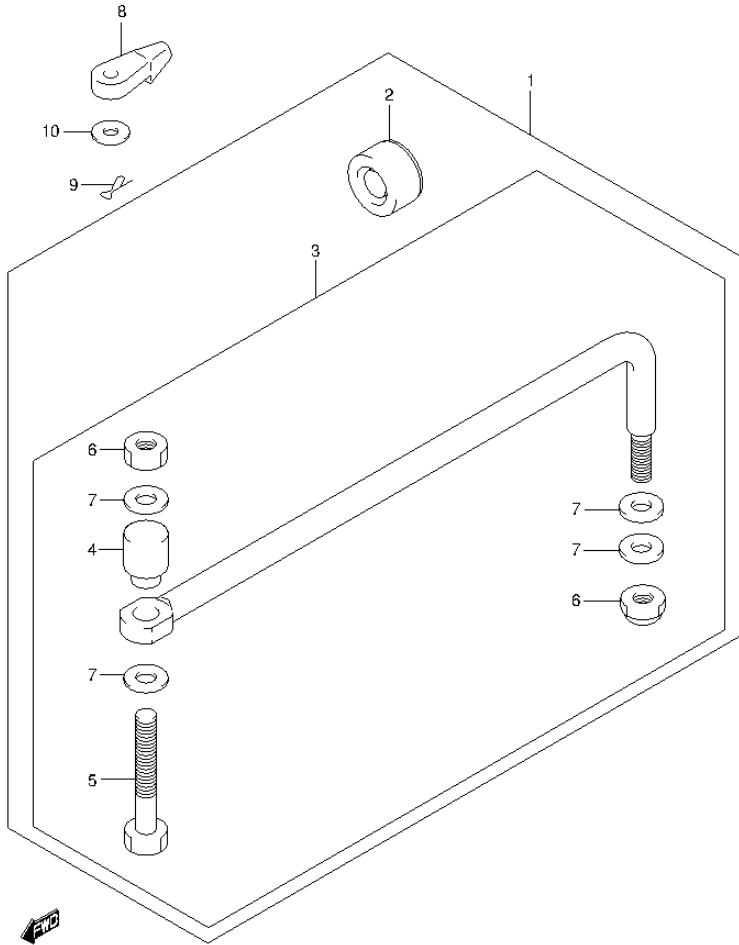


FIG.416 (4-D-3) DRAG LINK (DF60AVTH E40)

REF NO.	PART NO.	DESCRIPTION	Q'TY	REMARKS
1	67700-93J00	LINK SET, DRAG	1	OPT
2	41161-94400	..SEAL, STEERING CABLE	1	OPT
3	67701-87J11	..LINK ASSY, DRAG	1	OPT
4	67721-87J00	..SPACER	1	OPT
5	67725-99E00	..BOLT, DRAG LINK	1	OPT
6	67726-99E00	..NUT	2	OPT
7	67728-99E00	..WASHER	4	OPT
8	67467-89J01	CONNECTOR, REMOCON CABLE	2	
9	09385-06012	CLIP	2	
10	09160-06055	WASHER (7X12X1)	2	

FIG.417

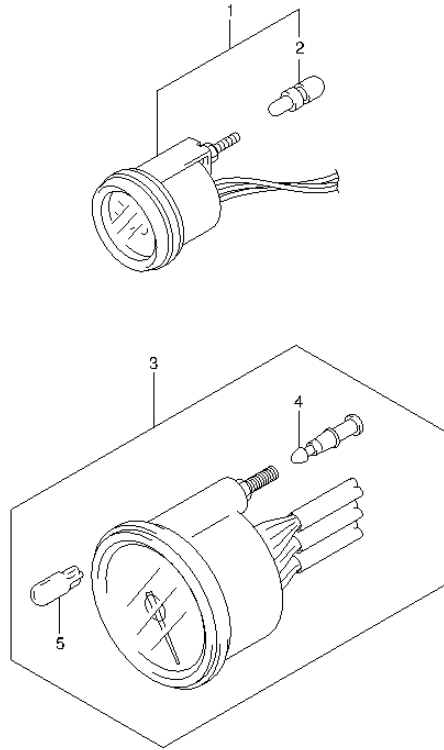


FIG.417 (4-D-4) METER (DF40A E01)

REF NO.	PART NO.	DESCRIPTION	Q'TY	REMARKS
1-1	34800-93J00	METER ASSY, TRIM	1	BLACK
1-2	34800-93J11	METER ASSY, TRIM	1	WHITE
2	09471-12103	.BULB (12V,3W,T6.5)	1	
3-1	34200-93J00	TACHOMETER ASSY, WITH MONITOR	1	BLACK
3-2	34200-93J11	TACHOMETER ASSY, WITH MONITOR	1	WHITE
4	36615-96300	.TERMINAL, RESIN	4	
5	09471-12077	.BULB (12V,1.7W)	1	

FIG.418

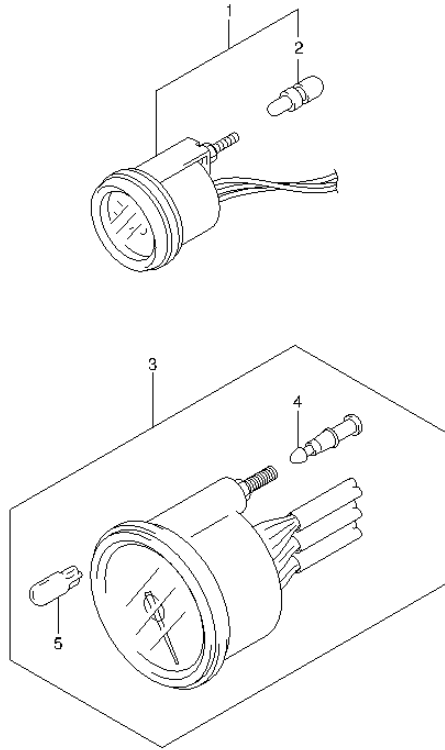


FIG.418 (4-D-5) METER (DF40AST E34)

REF NO.	PART NO.	DESCRIPTION	Q'TY	REMARKS
1	34800-93J11	METER ASSY, TRIM	1	WHITE
2	09471-12103	.BULB (12V,3W,T6.5)	1	
3	34200-93J11	TACHOMETER ASSY, WITH MONITOR	1	WHITE
4	36615-96300	.TERMINAL, RESIN	4	
5	09471-12077	.BULB (12V,1.7W)	1	

FIG.419

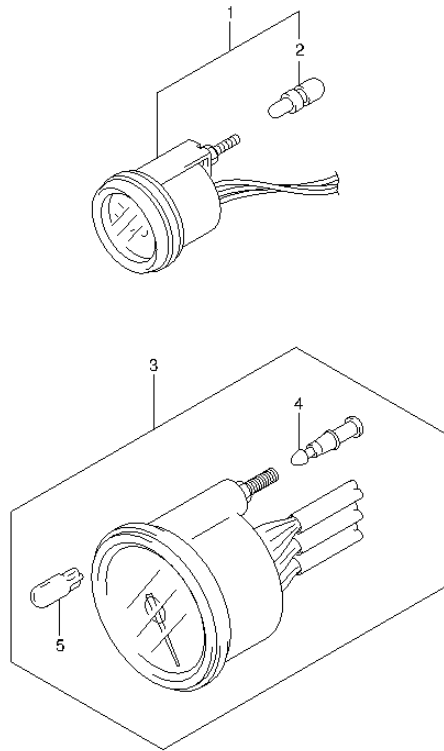


FIG.419 (4-D-6) METER (DF50A E01)

REF NO.	PART NO.	DESCRIPTION	Q'TY	REMARKS
1-1	34800-93J00	METER ASSY, TRIM	1	BLACK
1-2	34800-93J11	METER ASSY, TRIM	1	WHITE
2	09471-12103	.BULB (12V,3W,T6.5)	1	
3-1	34200-93J00	TACHOMETER ASSY, WITH MONITOR	1	BLACK
3-2	34200-93J11	TACHOMETER ASSY, WITH MONITOR	1	WHITE
4	36615-96300	.TERMINAL, RESIN	4	
5	09471-12077	.BULB (12V,1.7W)	1	

FIG.420

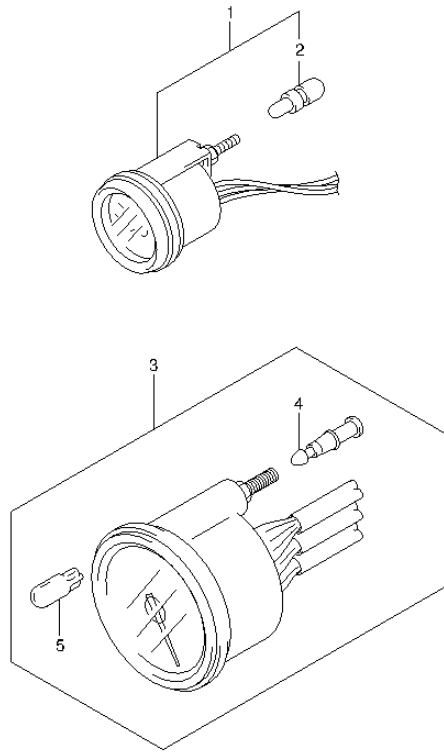


FIG.420 (4-D-7) METER (DF60A E01)

REF NO.	PART NO.	DESCRIPTION	Q'TY	REMARKS
1-1	34800-93J00	METER ASSY, TRIM	1	BLACK
1-2	34800-93J11	METER ASSY, TRIM	1	WHITE
2	09471-12103	.BULB (12V,3W,T6.5)	1	
3-1	34200-93J00	TACHOMETER ASSY, WITH MONITOR	1	BLACK
3-2	34200-93J11	TACHOMETER ASSY, WITH MONITOR	1	WHITE
4	36615-96300	.TERMINAL, RESIN	4	
5	09471-12077	.BULB (12V,1.7W)	1	

FIG.421

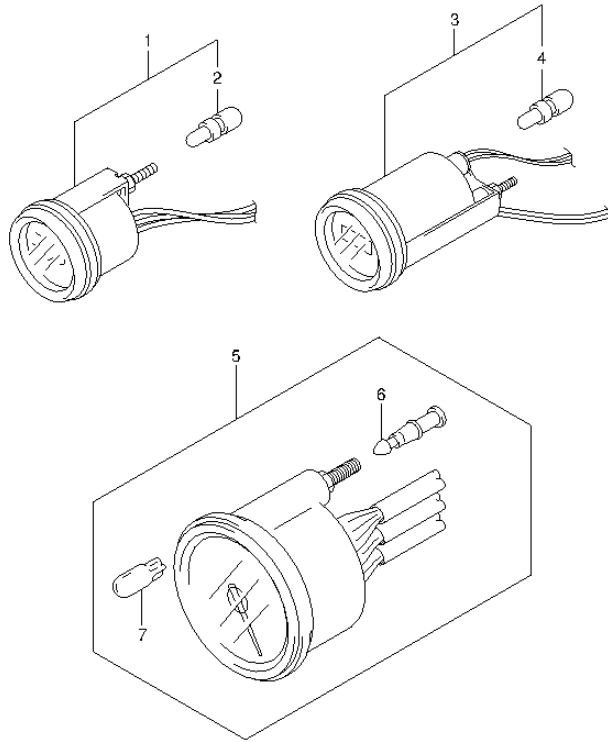


FIG.421 (4-D-8) METER (DF60A E40)

REF NO.	PART NO.	DESCRIPTION	Q'TY	REMARKS
1-1	34800-93J00	METER ASSY, TRIM	1	BLACK
1-2	34800-93J11	METER ASSY, TRIM	1	WHITE
2	09471-12103	.BULB (12V,3W,T6.5)	1	
3-1	34500-93J00	METER ASSY, HOUR	1	BLACK
3-2	34500-93J11	METER ASSY, HOUR	1	WHITE
4	09471-12103	.BULB (12V,3W,T6.5)	1	
5-1	34200-93J00	TACHOMETER ASSY, WITH MONITOR	1	BLACK
5-2	34200-93J11	TACHOMETER ASSY, WITH MONITOR	1	WHITE
6	36615-96300	.TERMINAL, RESIN	4	
7	09471-12077	.BULB (12V,1.7W)	1	

FIG.422

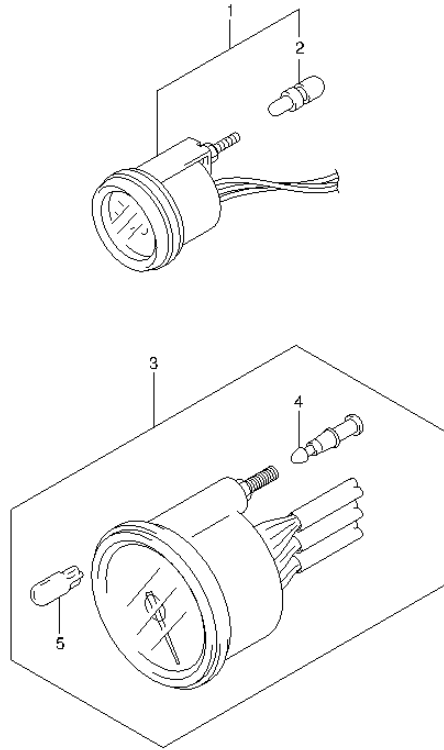


FIG.422 (4-D-9) METER (DF50AVT E01)

REF NO.	PART NO.	DESCRIPTION	Q'TY	REMARKS
1-1	34800-93J00	METER ASSY, TRIM	1	BLACK
1-2	34800-93J11	METER ASSY, TRIM	1	WHITE
2	09471-12103	.BULB (12V,3W,T6.5)	1	
3-1	34200-93J00	TACHOMETER ASSY, WITH MONITOR	1	BLACK
3-2	34200-93J11	TACHOMETER ASSY, WITH MONITOR	1	WHITE
4	36615-96300	.TERMINAL, RESIN	4	
5	09471-12077	.BULB (12V,1.7W)	1	

FIG.423

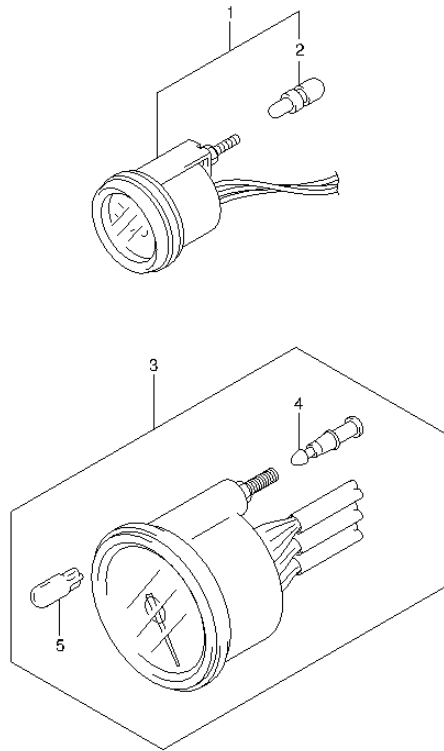


FIG.423 (4-D-10) METER (DF60AVT E01)

REF NO.	PART NO.	DESCRIPTION	Q'TY	REMARKS
1-1	34800-93J00	METER ASSY, TRIM	1	BLACK
1-2	34800-93J11	METER ASSY, TRIM	1	WHITE
2	09471-12103	.BULB (12V,3W,T6.5)	1	
3-1	34200-93J00	TACHOMETER ASSY, WITH MONITOR	1	BLACK
3-2	34200-93J11	TACHOMETER ASSY, WITH MONITOR	1	WHITE
4	36615-96300	.TERMINAL, RESIN	4	
5	09471-12077	.BULB (12V,1.7W)	1	

FIG.424

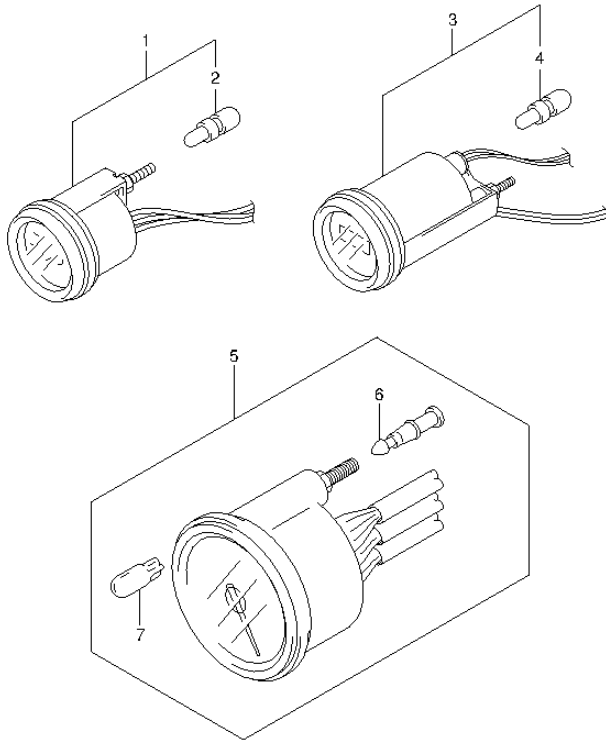


FIG.424 (4-D-11) METER (DF60AVT E40)

REF NO.	PART NO.	DESCRIPTION	Q'TY	REMARKS
1-1	34800-93J00	METER ASSY, TRIM	1	BLACK
1-2	34800-93J11	METER ASSY, TRIM	1	WHITE
2	09471-12103	.BULB (12V,3W,T6.5)	1	
3-1	34500-93J00	METER ASSY, HOUR	1	BLACK
3-2	34500-93J11	METER ASSY, HOUR	1	WHITE
4	09471-12103	.BULB (12V,3W,T6.5)	1	
5-1	34200-93J00	TACHOMETER ASSY, WITH MONITOR	1	BLACK
5-2	34200-93J11	TACHOMETER ASSY, WITH MONITOR	1	WHITE
6	36615-96300	.TERMINAL, RESIN	4	
7	09471-12077	.BULB (12V,1.7W)	1	

FIG.425

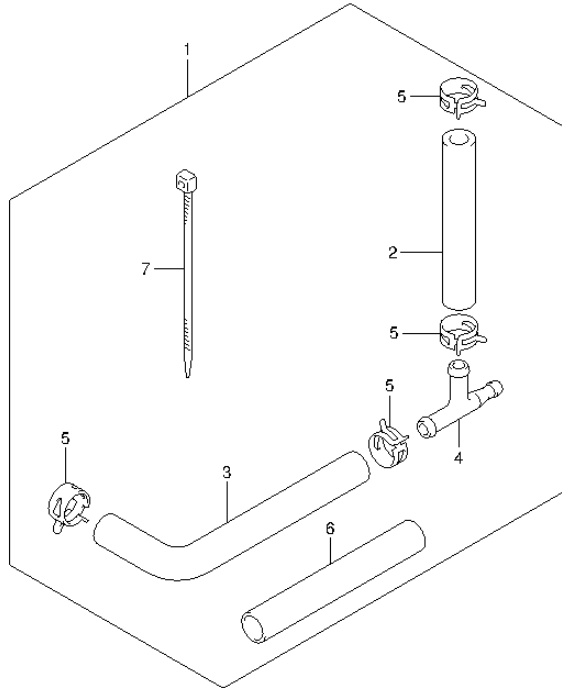


FIG.425 (4-D-12) OPT:WATER PRESSURE GAUGE SUB KIT (DF60A E40)

REF NO.	PART NO.	DESCRIPTION	Q'TY	REMARKS
1	34660-90J02	WATER PRESSURE GAUGE SUB KIT	1	
2	09352-50903-600	.HOSE (5X9X600)	1	L:600->160
3	09352-50903-600	.HOSE (5X9X600)	1	L:600->210
4	09367-06006	.3 WAY	1	
5	09401-08413	.CLIP	4	
6	18498-99EA0	.PROTECTOR (L:80)	1	
7	09407-25402	.CLAMP (L:250)	1	

FIG.426

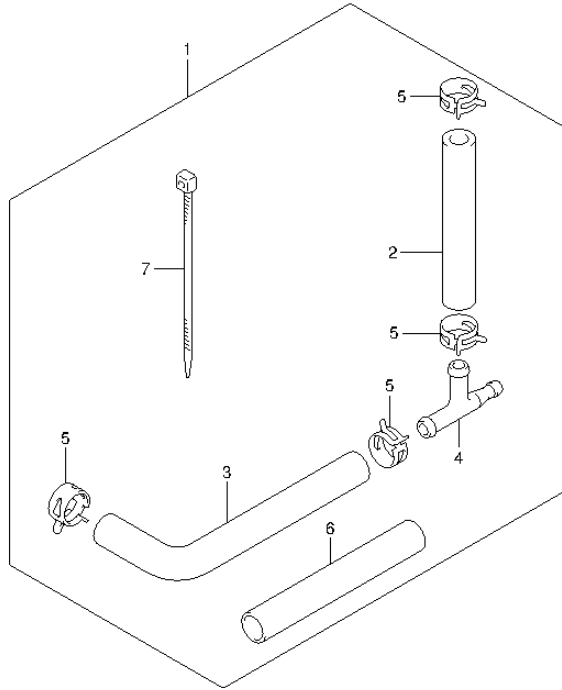


FIG.426 (4-D-13) OPT:WATER PRESSURE GAUGE SUB KIT (DF60AQH E40)

REF NO.	PART NO.	DESCRIPTION	Q'TY	REMARKS
1	34660-90J02	WATER PRESSURE GAUGE SUB KIT	1	
2	09352-50903-600	.HOSE (5X9X600)	1	L:600->160
3	09352-50903-600	.HOSE (5X9X600)	1	L:600->210
4	09367-06006	.3 WAY	1	
5	09401-08413	.CLIP	4	
6	18498-99EA0	.PROTECTOR (L:80)	1	
7	09407-25402	.CLAMP (L:250)	1	

FIG.427

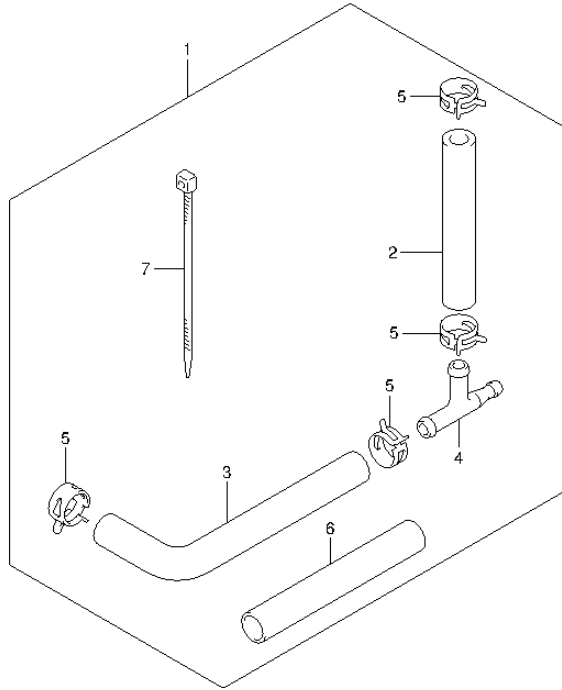


FIG.427 (4-D-14) OPT:WATER PRESSURE GAUGE SUB KIT (DF60ATH E40)

REF NO.	PART NO.	DESCRIPTION	Q'TY	REMARKS
1	34660-90J02	WATER PRESSURE GAUGE SUB KIT	1	
2	09352-50903-600	.HOSE (5X9X600)	1	L:600->160
3	09352-50903-600	.HOSE (5X9X600)	1	L:600->210
4	09367-06006	.3 WAY	1	
5	09401-08413	.CLIP	4	
6	18498-99EA0	.PROTECTOR (L:80)	1	
7	09407-25402	.CLAMP (L:250)	1	

FIG.428

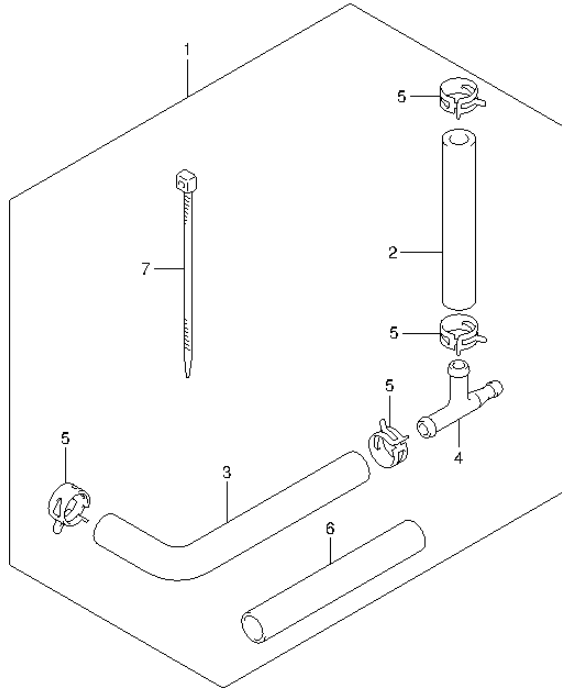


FIG.428 (4-D-15) OPT:WATER PRESSURE GAUGE SUB KIT (DF60AVT E40)

REF NO.	PART NO.	DESCRIPTION	Q'TY	REMARKS
1	34660-90J02	WATER PRESSURE GAUGE SUB KIT	1	
2	09352-50903-600	.HOSE (5X9X600)	1	L:600->160
3	09352-50903-600	.HOSE (5X9X600)	1	L:600->210
4	09367-06006	.3 WAY	1	
5	09401-08413	.CLIP	4	
6	18498-99EA0	.PROTECTOR (L:80)	1	
7	09407-25402	.CLAMP (L:250)	1	

FIG.429

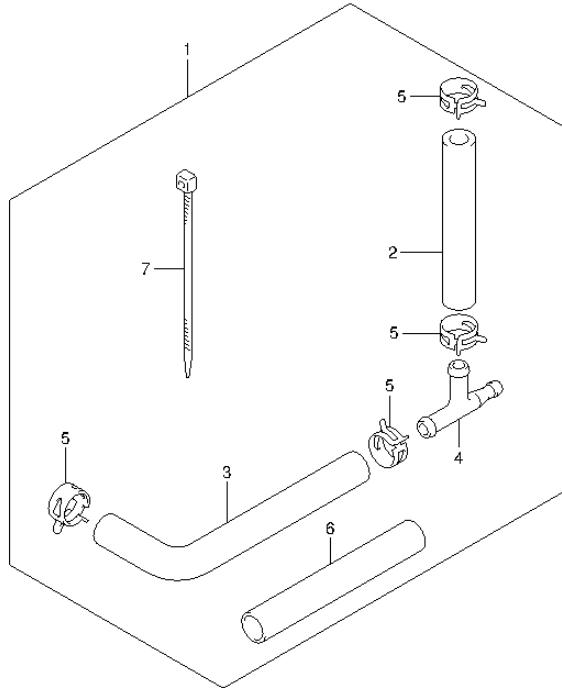


FIG.429 (4-E-2) OPT:WATER PRESSURE GAUGE SUB KIT (DF60AVTH E40)

REF NO.	PART NO.	DESCRIPTION	Q'TY	REMARKS
1	34660-90J02	WATER PRESSURE GAUGE SUB KIT	1	
2	09352-50903-600	.HOSE (5X9X600)	1	L:600->160
3	09352-50903-600	.HOSE (5X9X600)	1	L:600->210
4	09367-06006	.3 WAY	1	
5	09401-08413	.CLIP	4	
6	18498-99EA0	.PROTECTOR (L:80)	1	
7	09407-25402	.CLAMP (L:250)	1	

FIG.430

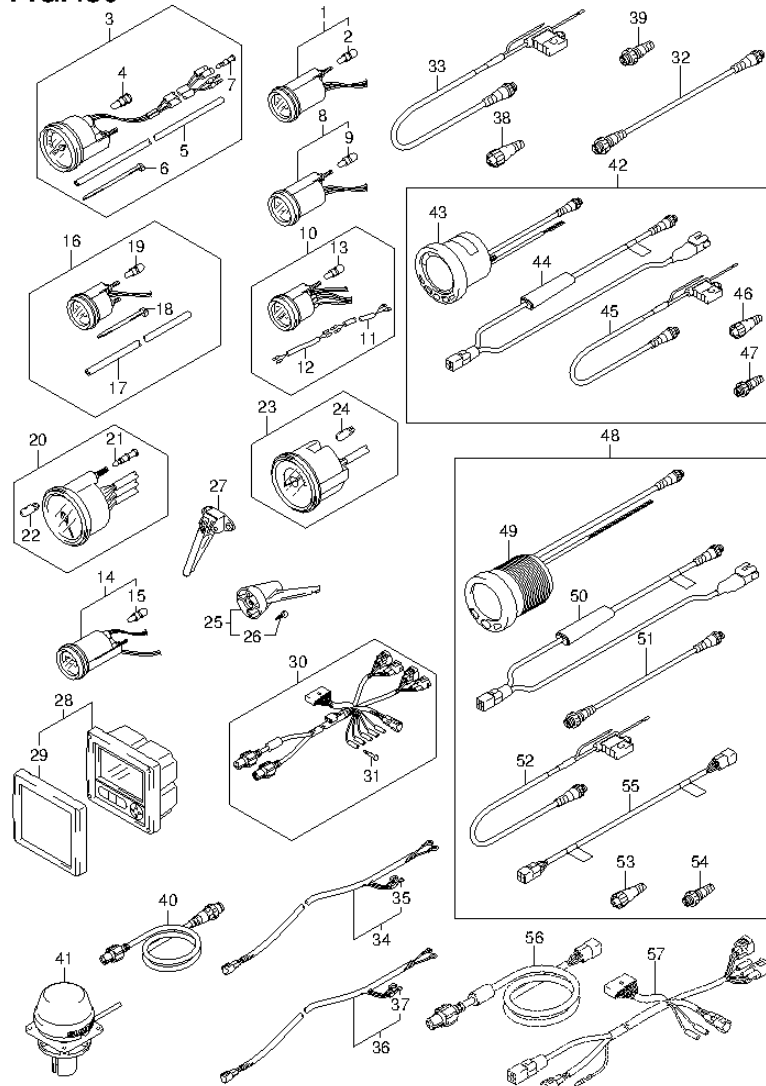


FIG.430 (4-E-3) OPT:METER (DF40A E01)

REF NO.	PART NO.	DESCRIPTION	Q'TY	REMARKS
1-1	34800-93J00	METER ASSY, TRIM	1	BLACK
1-2	34800-93J11	METER ASSY, TRIM	1	WHITE
2	09471-12103	.BULB (12V,3W,T6.5)	1	
3-1	34100-93J00	SPEEDOMETER ASSY	1	MAX 130KM/H BLACK
3-2	34100-93J11	SPEEDOMETER ASSY	1	MAX 130KM/H WHITE
3-3	34100-93J20	SPEEDOMETER ASSY	1	MAX 80KM/H BLACK
3-4	34100-93J31	SPEEDOMETER ASSY	1	MAX 80KM/H WHITE
3-5	34100-93J40	SPEEDOMETER ASSY	1	MAX 45KNOTS BLACK
3-6	34100-93J51	SPEEDOMETER ASSY	1	MAX 45KNOTS WHITE
3-7	34100-93J60	SPEEDOMETER ASSY	1	MAX 65KNOTS WHITE
4	09471-12028	.BULB (12V,3.4W)	1	
5	34191-92E00	.TUBE	1	
6	09407-14407	.CLAMP (L:145)	2	
7	36615-96300	.TERMINAL, RESIN	2	
8-1	34600-93J00	METER ASSY, VOLTAGE	1	BLACK
8-2	34600-93J11	METER ASSY, VOLTAGE	1	WHITE
9	09471-12103	.BULB (12V,3W,T6.5)	1	
10-1	34300-93J00	GAUGE ASSY, FUEL	1	BLACK
10-2	34300-93J11	GAUGE ASSY, FUEL	1	WHITE
11	34310-92E00	.LEAD, FUEL GAUGE	1	
12	34360-92E00	.ADAPTER, FUEL GAUGE	1	
13	09471-12103	.BULB (12V,3W,T6.5)	1	
14-1	34500-93J00	METER ASSY, HOUR	1	BLACK
14-2	34500-93J11	METER ASSY, HOUR	1	WHITE
15	09471-12103	.BULB (12V,3W,T6.5)	1	
16-1	34650-93J20	GAUGE ASSY, WATER PRESSURE	1	15PSI BLACK
16-2	34650-93J31	GAUGE ASSY, WATER PRESSURE	1	15PSI WHITE
17	34191-92E00	.TUBE	1	
18	09407-14407	.CLAMP (L:145)	2	
19	09471-12103	.BULB (12V,3W,T6.5)	1	
20-1	34200-93J00	TACHOMETER ASSY, WITH MONITOR	1	BLACK
20-2	34200-93J11	TACHOMETER ASSY, WITH MONITOR	1	WHITE
21	36615-96300	.TERMINAL, RESIN	4	
22	09471-12077	.BULB (12V,1.7W)	1	

FIG.430

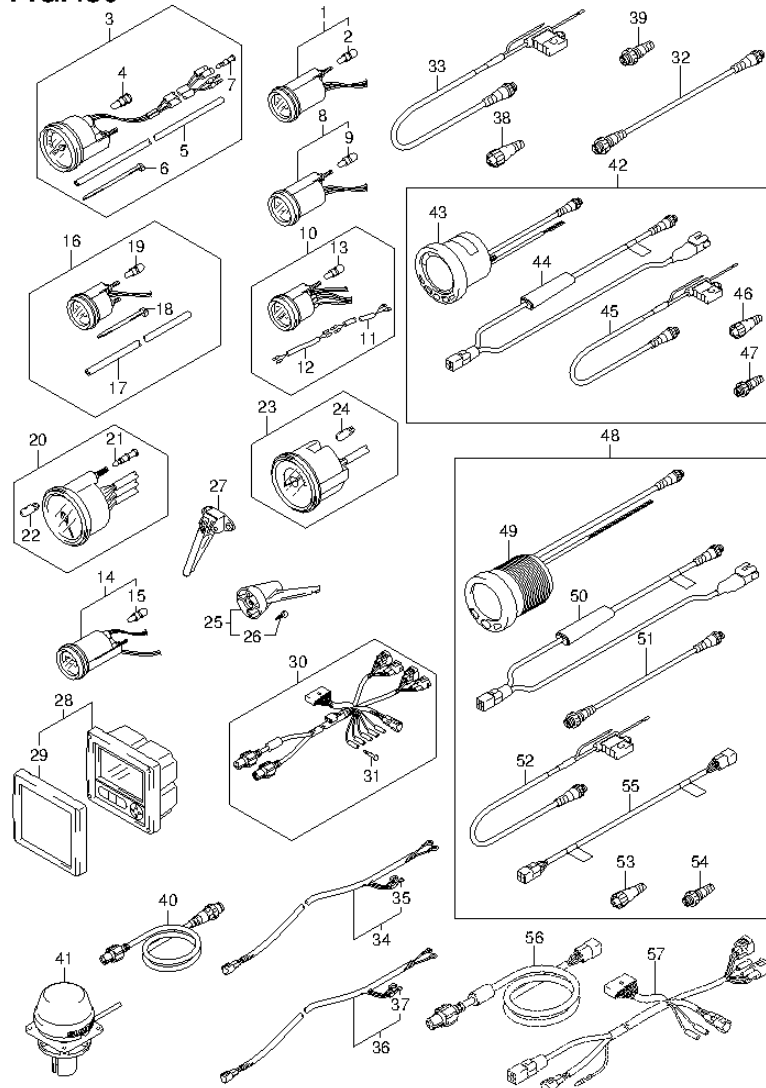


FIG.430 (4-E-4) OPT:METER (DF40A E01)

REF NO.	PART NO.	DESCRIPTION	Q'TY	REMARKS
23-1	34200-93J40	TACHOMETER ASSY, WITH MONITOR	1	BLACK
23-2	34200-93J50	TACHOMETER ASSY, WITH MONITOR	1	WHITE
24	09471-12077	.BULB (12V,1.7W)	1	
25	34190-95500	SENDER ASSY, SPEEDOMETER	1	
26	03112-06303	.SCREW	2	
27	34190-87D00	SENDER, SPEEDOMETER	1	
28	34200-87L12	GAUGE ASSY, MULTI	1	
29	34211-87L00	.COVER, FRONT	1	
30	36661-87L00	ADAPTER, GAUGE	1	
31	36615-96300	.TERMINAL, RESIN	5	
32	36662-88L00	WIRE, EXTENSION	1	
33	36663-88L00	HARNESS ASSY, NETWORK POWER	1	
34	36663-98J00	WIRE, GAUGE POWER	1	
35	09481-05501	.FUSE (5A)	1	
36	36663-98J10	WIRE, GAUGE POWER	1	
37	09481-05501	.FUSE (5A)	1	
38	36665-88L00	UNIT, RESISTOR FEMALE	1	
39	36665-88L10	UNIT, RESISTOR MALE	1	
40	36666-87L00	WIRE, NETWORK	1	
41	39950-87L00	MODULE ASSY, GPS RECEIVER	1	
42	34011-88L02	KIT, 4 IN MULTI GAUGE	1	
43	34200-88L02	.GAUGE ASSY, 4 IN MULTI	1	
44	34922-88L01	.UNIT, INTERFACE	1	
45	36663-88L00	.HARNESS ASSY, NETWORK POWER	1	
46	36665-88L00	.UNIT, RESISTOR FEMALE	1	
47	36665-88L10	.UNIT, RESISTOR MALE	1	
48	34011-88L12	KIT, 2 IN MULTI GAUGE	1	
49	34800-88L01	.GAUGE ASSY, 2 IN MULTI	1	
50	34922-88L01	.UNIT, INTERFACE	1	@
51	36662-88L00	WIRE, 25 EXTENSION	1	
52	36663-88L00	.HARNESS ASSY, NETWORK POWER	1	
53	36665-88L00	.UNIT, RESISTOR FEMALE	1	
54	36665-88L10	.UNIT, RESISTOR MALE	1	
55	36668-88L00	.WIRE COMP,ADAPTER TO DIAGNS	1	

FIG.430

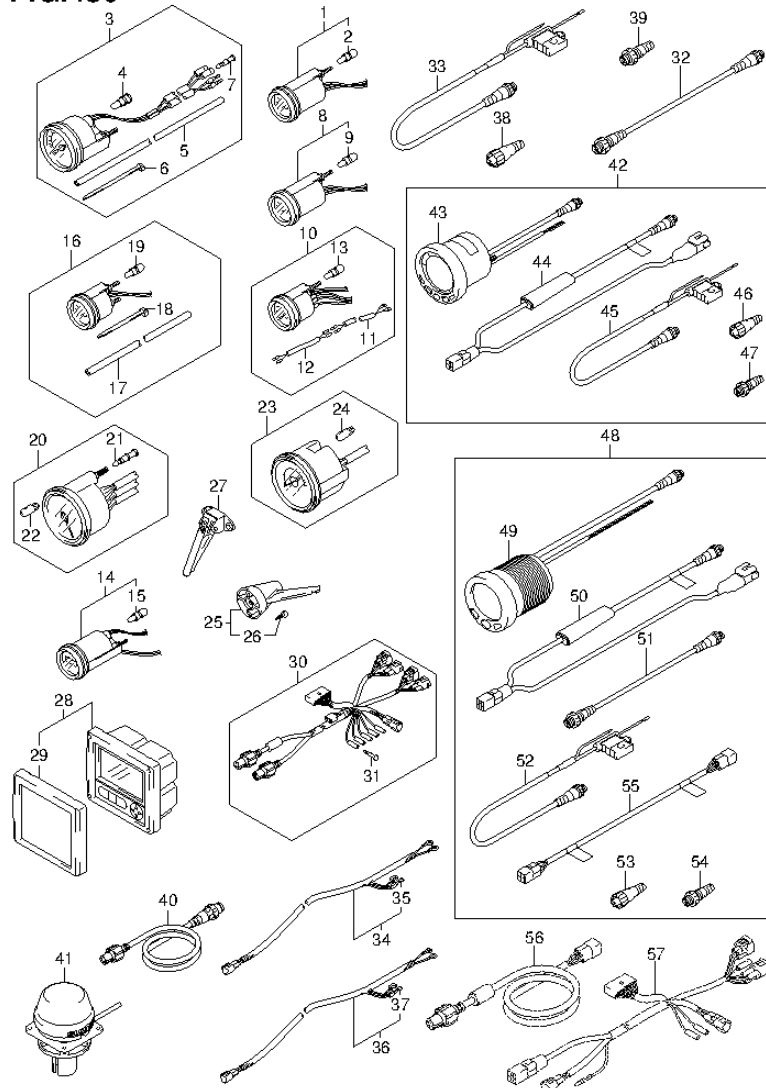


FIG.430 (4-E-5) OPT:METER (DF40A E01)

REF NO.	PART NO.	DESCRIPTION	Q'TY	REMARKS
56	36664-87L00	ADAPTER, GAUGE FOR DUAL STATION	1	
57	36665-87L00	ADAPTER, GAUGE FOR MULT	1	

FIG.431

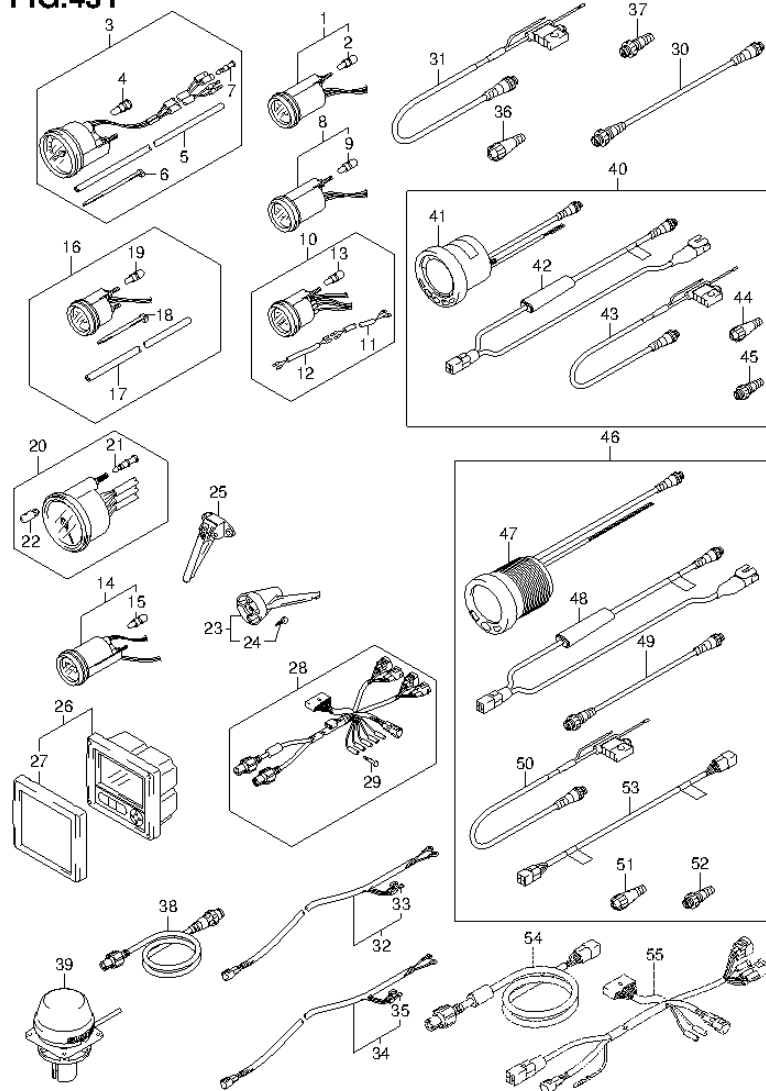


FIG.431 (4-E-6) OPT:METER (DF40AQH E01)

REF NO.	PART NO.	DESCRIPTION	Q'TY	REMARKS
1-1	34800-93J00	METER ASSY, TRIM	1	BLACK
1-2	34800-93J11	METER ASSY, TRIM	1	WHITE
2	09471-12103	.BULB (12V,3W,T6.5)	1	
3-1	34100-93J00	SPEEDOMETER ASSY	1	MAX 130KM/H BLACK
3-2	34100-93J11	SPEEDOMETER ASSY	1	MAX 130KM/H WHITE
3-3	34100-93J20	SPEEDOMETER ASSY	1	MAX 80KM/H BLACK
3-4	34100-93J31	SPEEDOMETER ASSY	1	MAX 80KM/H WHITE
3-5	34100-93J40	SPEEDOMETER ASSY	1	MAX 45KNOTS BLACK
3-6	34100-93J51	SPEEDOMETER ASSY	1	MAX 45KNOTS WHITE
3-7	34100-93J60	SPEEDOMETER ASSY	1	MAX 65KNOTS WHITE
4	09471-12028	.BULB (12V,3.4W)	1	
5	34191-92E00	.TUBE	1	
6	09407-14407	.CLAMP (L:145)	2	
7	36615-96300	.TERMINAL, RESIN	2	
8-1	34600-93J00	METER ASSY, VOLTAGE	1	BLACK
8-2	34600-93J11	METER ASSY, VOLTAGE	1	WHITE
9	09471-12103	.BULB (12V,3W,T6.5)	1	
10-1	34300-93J00	GAUGE ASSY, FUEL	1	BLACK
10-2	34300-93J11	GAUGE ASSY, FUEL	1	WHITE
11	34310-92E00	.LEAD, FUEL GAUGE	1	
12	34360-92E00	.ADAPTER, FUEL GAUGE	1	
13	09471-12103	.BULB (12V,3W,T6.5)	1	
14-1	34500-93J00	METER ASSY, HOUR	1	BLACK
14-2	34500-93J11	METER ASSY, HOUR	1	WHITE
15	09471-12103	.BULB (12V,3W,T6.5)	1	
16-1	34650-93J20	GAUGE ASSY, WATER PRESSURE	1	15PSI BLACK
16-2	34650-93J31	GAUGE ASSY, WATER PRESSURE	1	15PSI WHITE
17	34191-92E00	.TUBE	1	
18	09407-14407	.CLAMP (L:145)	2	
19	09471-12103	.BULB (12V,3W,T6.5)	1	
20-1	34200-93J00	TACHOMETER ASSY, WITH MONITOR	1	BLACK
20-2	34200-93J11	TACHOMETER ASSY, WITH MONITOR	1	WHITE
21	36615-96300	.TERMINAL, RESIN	4	
22	09471-12077	.BULB (12V,1.7W)	1	

FIG.431

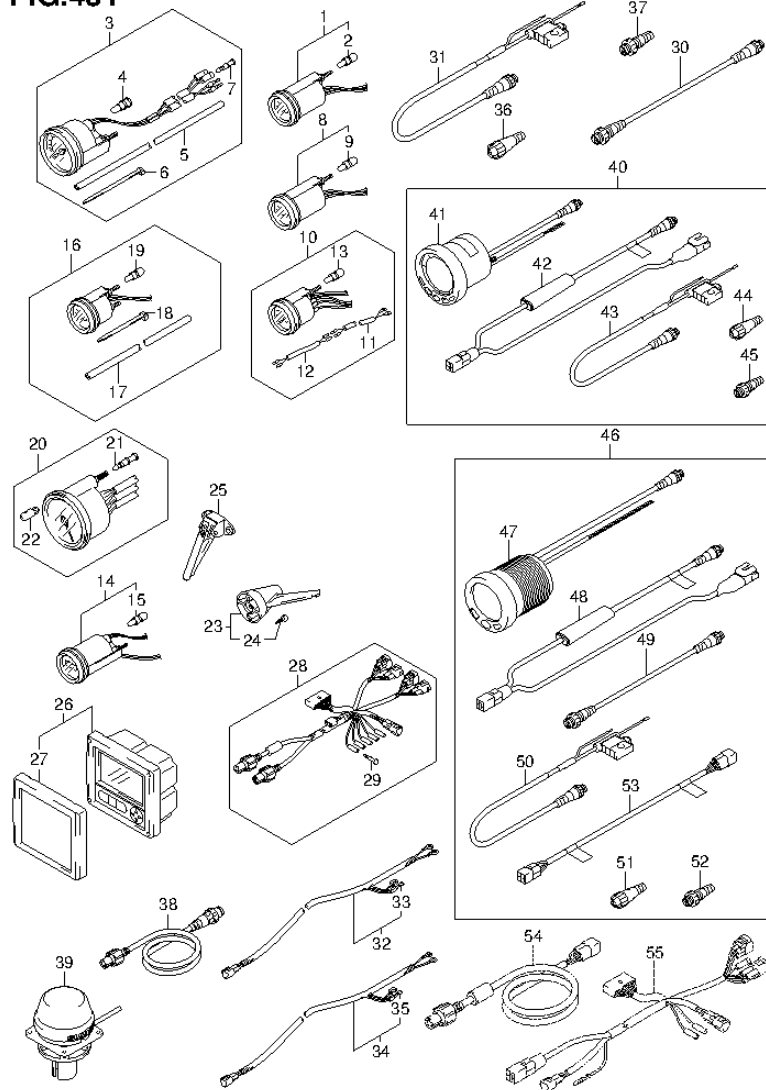


FIG.431 (4-E-7) OPT:METER (DF40AQH E01)

REF NO.	PART NO.	DESCRIPTION	Q'TY	REMARKS
23	34190-95500	SENDER ASSY, SPEEDOMETER	1	
24	03112-06303	.SCREW	2	
25	34190-87D00	SENDER, SPEEDOMETER	1	
26	34200-87L12	GAUGE ASSY, MULTI	1	
27	34211-87L00	.COVER, FRONT	1	
28	36661-87L00	ADAPTER, GAUGE	1	
29	36615-96300	.TERMINAL, RESIN	5	
30	36662-88L00	WIRE, EXTENSION	1	
31	36663-88L00	HARNESS ASSY, NETWORK POWER	1	
32	36663-98J00	WIRE, GAUGE POWER (2.5M)	1	
33	09481-05501	.FUSE (5A)	1	
34	36663-98J10	WIRE, GAUGE POWER (6.0M)	1	
35	09481-05501	.FUSE (5A)	1	
36	36665-88L00	UNIT, RESISTOR FEMALE	1	
37	36665-88L10	UNIT, RESISTOR MALE	1	
38	36666-87L00	WIRE, NETWORK	1	
39	39950-87L00	MODULE ASSY, GPS RECEIVER	1	
40	34011-88L02	KIT, 4 IN MULTI GAUGE	1	
41	34200-88L02	.GAUGE ASSY, 4 IN MULTI	1	
42	34922-88L01	.UNIT, INTERFACE	1	
43	36663-88L00	.HARNESS ASSY, NETWORK POWER	1	
44	36665-88L00	.UNIT, RESISTOR FEMALE	1	
45	36665-88L10	.UNIT, RESISTOR MALE	1	
46	34011-88L12	KIT, 2 IN MULTI GAUGE	1	
47	34800-88L01	.GAUGE ASSY, 2 IN MULTI	1	
48	34922-88L01	.UNIT, INTERFACE	1	
49	36662-88L00	.WIRE, 25 EXTENSION	1	
50	36663-88L00	.HARNESS ASSY, NETWORK POWER	1	
51	36665-88L00	.UNIT, RESISTOR FEMALE	1	
52	36665-88L10	.UNIT, RESISTOR MALE	1	
53	36668-88L00	.WIRE COMP,ADAPTER TO DIAGNS	1	
54	36664-87L00	ADAPTER, GAUGE FOR DUAL STATION	1	
55	36665-87L00	ADAPTER, GAUGE FOR MULT	1	

FIG.432

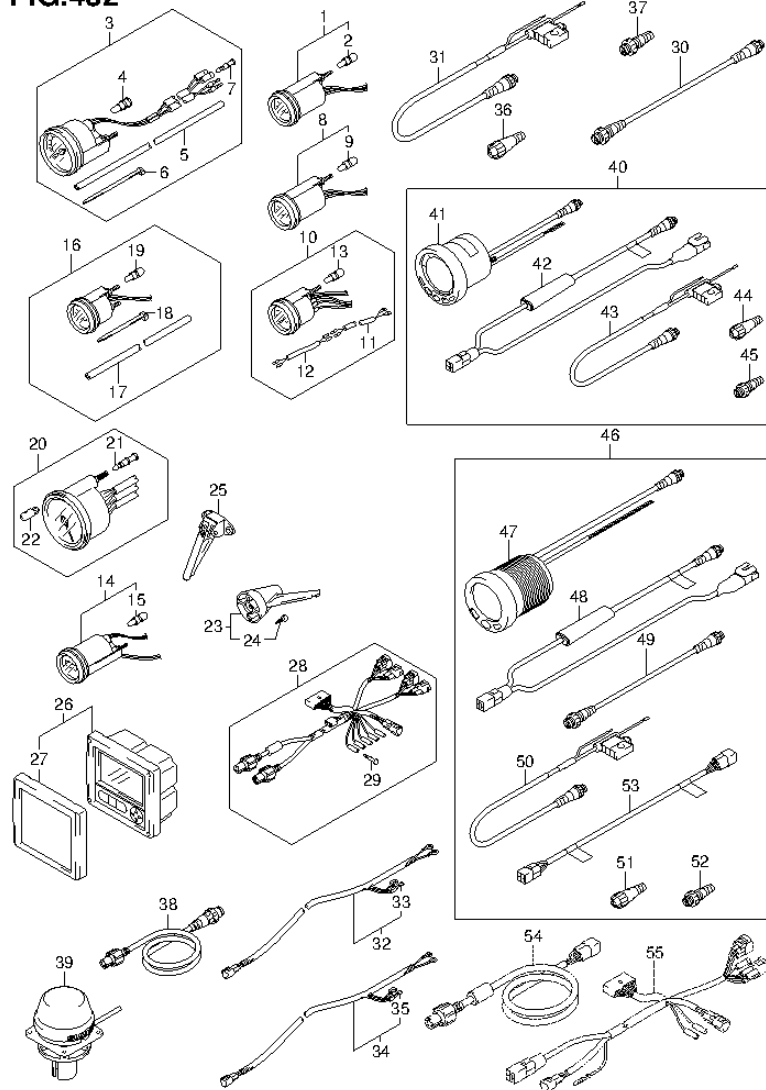


FIG.432 (4-E-8) OPT:METER (DF40ATH E01)

REF NO.	PART NO.	DESCRIPTION	Q'TY	REMARKS
1-1	34800-93J00	METER ASSY, TRIM	1	BLACK
1-2	34800-93J11	METER ASSY, TRIM	1	WHITE
2	09471-12103	.BULB (12V,3W,T6.5)	1	
3-1	34100-93J00	SPEEDOMETER ASSY	1	MAX 130KM/H BLACK
3-2	34100-93J11	SPEEDOMETER ASSY	1	MAX 130KM/H WHITE
3-3	34100-93J20	SPEEDOMETER ASSY	1	MAX 80KM/H BLACK
3-4	34100-93J31	SPEEDOMETER ASSY	1	MAX 80KM/H WHITE
3-5	34100-93J40	SPEEDOMETER ASSY	1	MAX 45KNOTS BLACK
3-6	34100-93J51	SPEEDOMETER ASSY	1	MAX 45KNOTS WHITE
3-7	34100-93J60	SPEEDOMETER ASSY	1	MAX 65KNOTS WHITE
4	09471-12028	.BULB (12V,3.4W)	1	
5	34191-92E00	.TUBE	1	
6	09407-14407	.CLAMP (L:145)	2	
7	36615-96300	.TERMINAL, RESIN	2	
8-1	34600-93J00	METER ASSY, VOLTAGE	1	BLACK
8-2	34600-93J11	METER ASSY, VOLTAGE	1	WHITE
9	09471-12103	.BULB (12V,3W,T6.5)	1	
10-1	34300-93J00	GAUGE ASSY, FUEL	1	BLACK
10-2	34300-93J11	GAUGE ASSY, FUEL	1	WHITE
11	34310-92E00	.LEAD, FUEL GAUGE	1	
12	34360-92E00	.ADAPTER, FUEL GAUGE	1	
13	09471-12103	.BULB (12V,3W,T6.5)	1	
14-1	34500-93J00	METER ASSY, HOUR	1	BLACK
14-2	34500-93J11	METER ASSY, HOUR	1	WHITE
15	09471-12103	.BULB (12V,3W,T6.5)	1	
16-1	34650-93J20	GAUGE ASSY, WATER PRESSURE	1	15PSI BLACK
16-2	34650-93J31	GAUGE ASSY, WATER PRESSURE	1	15PSI WHITE
17	34191-92E00	.TUBE	1	
18	09407-14407	.CLAMP (L:145)	2	
19	09471-12103	.BULB (12V,3W,T6.5)	1	
20-1	34200-93J00	TACHOMETER ASSY, WITH MONITOR	1	BLACK
20-2	34200-93J11	TACHOMETER ASSY, WITH MONITOR	1	WHITE
21	36615-96300	.TERMINAL, RESIN	4	
22	09471-12077	.BULB (12V,1.7W)	1	

FIG.432

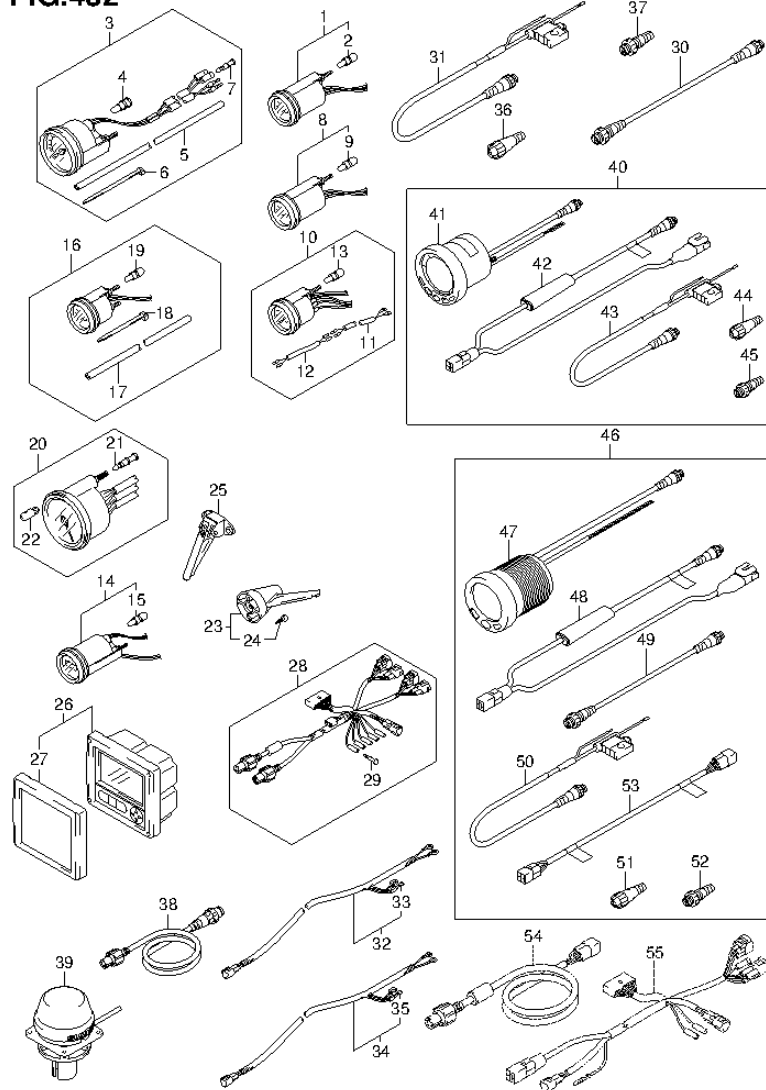


FIG.432 (4-E-9) OPT:METER (DF40ATH E01)

REF NO.	PART NO.	DESCRIPTION	Q'TY	REMARKS
23	34190-95500	SENDER ASSY, SPEEDOMETER	1	
24	03112-06303	.SCREW	2	
25	34190-87D00	SENDER, SPEEDOMETER	1	
26	34200-87L12	GAUGE ASSY, MULTI	1	
27	34211-87L00	.COVER, FRONT	1	
28	36661-87L00	ADAPTER, GAUGE	1	
29	36615-96300	.TERMINAL, RESIN	5	
30	36662-88L00	WIRE, EXTENSION	1	
31	36663-88L00	HARNESS ASSY, NETWORK POWER	1	
32	36663-98J00	WIRE, GAUGE POWER (2.5M)	1	
33	09481-05501	.FUSE (5A)	1	
34	36663-98J10	WIRE, GAUGE POWER (6.0M)	1	
35	09481-05501	.FUSE (5A)	1	
36	36665-88L00	UNIT, RESISTOR FEMALE	1	
37	36665-88L10	UNIT, RESISTOR MALE	1	
38	36666-87L00	WIRE, NETWORK	1	
39	39950-87L00	MODULE ASSY, GPS RECEIVER	1	
40	34011-88L02	KIT, 4 IN MULTI GAUGE	1	
41	34200-88L02	.GAUGE ASSY, 4 IN MULTI	1	
42	34922-88L01	.UNIT, INTERFACE	1	
43	36663-88L00	.HARNESS ASSY, NETWORK POWER	1	
44	36665-88L00	.UNIT, RESISTOR FEMALE	1	
45	36665-88L10	.UNIT, RESISTOR MALE	1	
46	34011-88L12	KIT, 2 IN MULTI GAUGE	1	
47	34800-88L01	.GAUGE ASSY, 2 IN MULTI	1	
48	34922-88L01	.UNIT, INTERFACE	1	
49	36662-88L00	.WIRE, 25 EXTENSION	1	
50	36663-88L00	.HARNESS ASSY, NETWORK POWER	1	
51	36665-88L00	.UNIT, RESISTOR FEMALE	1	
52	36665-88L10	.UNIT, RESISTOR MALE	1	
53	36668-88L00	.WIRE COMP,ADAPTER TO DIAGNS	1	
54	36664-87L00	ADAPTER, GAUGE FOR DUAL STATION	1	
55	36665-87L00	ADAPTER, GAUGE FOR MULT	1	

FIG.433

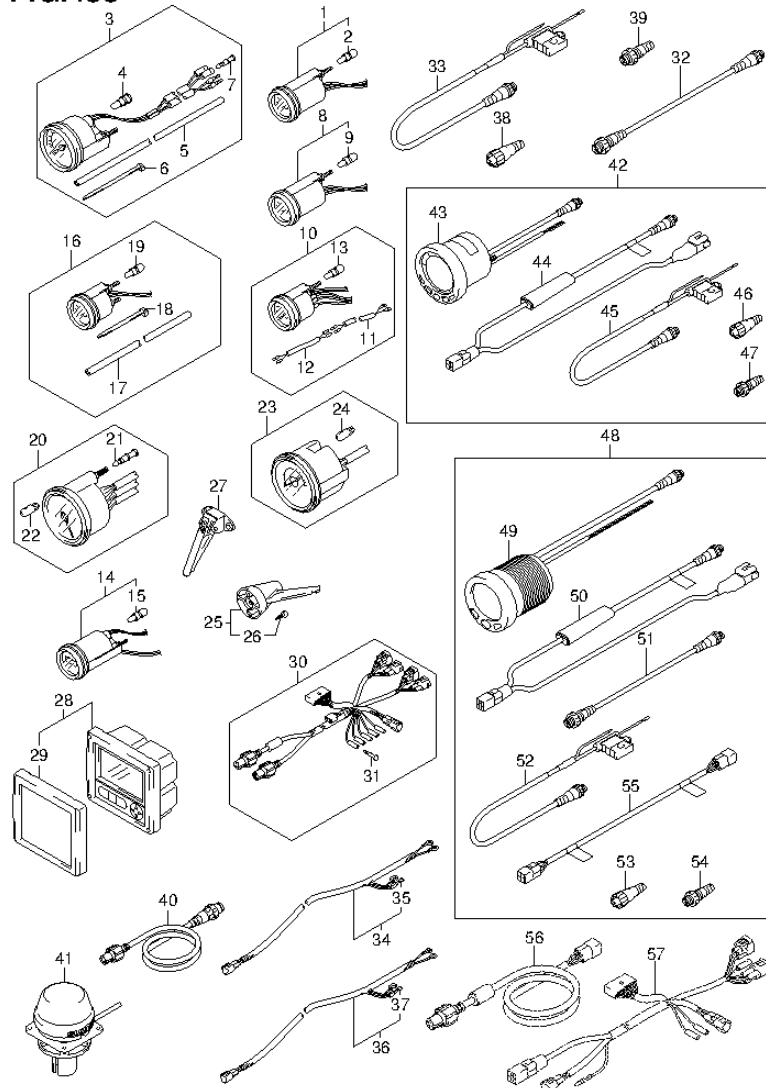


FIG.433 (4-E-10) OPT:METER (DF40AST E34)

REF NO.	PART NO.	DESCRIPTION	Q'TY	REMARKS
1-1	34800-93J00	METER ASSY, TRIM	1	BLACK
1-2	34800-93J11	METER ASSY, TRIM	1	WHITE
2	09471-12103	.BULB (12V,3W,T6.5)	1	
3-1	34100-93J00	SPEEDOMETER ASSY	1	MAX 130KM/H BLACK
3-2	34100-93J11	SPEEDOMETER ASSY	1	MAX 130KM/H WHITE
3-3	34100-93J20	SPEEDOMETER ASSY	1	MAX 80KM/H BLACK
3-4	34100-93J31	SPEEDOMETER ASSY	1	MAX 80KM/H WHITE
3-5	34100-93J40	SPEEDOMETER ASSY	1	MAX 45KNOTS BLACK
3-6	34100-93J51	SPEEDOMETER ASSY	1	MAX 45KNOTS WHITE
3-7	34100-93J60	SPEEDOMETER ASSY	1	MAX 65KNOTS WHITE
4	09471-12028	.BULB (12V,3.4W)	1	
5	34191-92E00	.TUBE	1	
6	09407-14407	.CLAMP (L:145)	2	
7	36615-96300	.TERMINAL, RESIN	2	
8-1	34600-93J00	METER ASSY, VOLTAGE	1	BLACK
8-2	34600-93J11	METER ASSY, VOLTAGE	1	WHITE
9	09471-12103	.BULB (12V,3W,T6.5)	1	
10-1	34300-93J00	GAUGE ASSY, FUEL	1	BLACK
10-2	34300-93J11	GAUGE ASSY, FUEL	1	WHITE
11	34310-92E00	.LEAD, FUEL GAUGE	1	
12	34360-92E00	.ADAPTER, FUEL GAUGE	1	
13	09471-12103	.BULB (12V,3W,T6.5)	1	
14-1	34500-93J00	METER ASSY, HOUR	1	BLACK
14-2	34500-93J11	METER ASSY, HOUR	1	WHITE
15	09471-12103	.BULB (12V,3W,T6.5)	1	
16-1	34650-93J20	GAUGE ASSY, WATER PRESSURE	1	15PSI BLACK
16-2	34650-93J31	GAUGE ASSY, WATER PRESSURE	1	15PSI WHITE
17	34191-92E00	.TUBE	1	
18	09407-14407	.CLAMP (L:145)	2	
19	09471-12103	.BULB (12V,3W,T6.5)	1	
20-1	34200-93J00	TACHOMETER ASSY, WITH MONITOR	1	BLACK
20-2	34200-93J11	TACHOMETER ASSY, WITH MONITOR	1	WHITE
21	36615-96300	.TERMINAL, RESIN	4	
22	09471-12077	.BULB (12V,1.7W)	1	

FIG.433

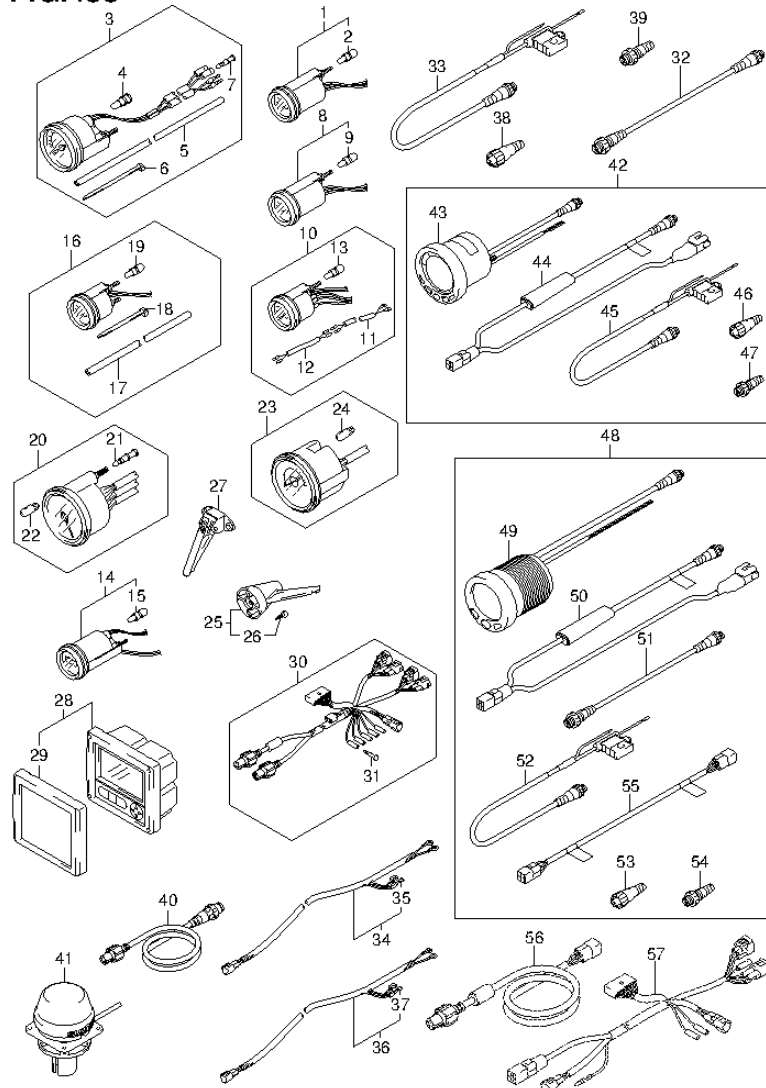


FIG.433 (4-E-11) OPT:METER (DF40AST E34)

REF NO.	PART NO.	DESCRIPTION	Q'TY	REMARKS
23-1	34200-93J40	TACHOMETER ASSY, WITH MONITOR	1	BLACK
23-2	34200-93J50	TACHOMETER ASSY, WITH MONITOR	1	WHITE
24	09471-12077	.BULB (12V,1.7W)	1	
25	34190-95500	SENDER ASSY, SPEEDOMETER	1	
26	03112-06303	.SCREW	2	
27	34190-87D00	SENDER, SPEEDOMETER	1	
28	34200-87L12	GAUGE ASSY, MULTI	1	
29	34211-87L00	.COVER, FRONT	1	
30	36661-87L00	ADAPTER, GAUGE	1	
31	36615-96300	.TERMINAL, RESIN	5	
32	36662-88L00	WIRE, EXTENSION	1	
33	36663-88L00	HARNESS ASSY, NETWORK POWER	1	
34	36663-98J00	WIRE, GAUGE POWER	1	
35	09481-05501	.FUSE (5A)	1	
36	36663-98J10	WIRE, GAUGE POWER	1	
37	09481-05501	.FUSE (5A)	1	
38	36665-88L00	UNIT, RESISTOR FEMALE	1	
39	36665-88L10	UNIT, RESISTOR MALE	1	
40	36666-87L00	WIRE, NETWORK	1	
41	39950-87L00	MODULE ASSY, GPS RECEIVER	1	
42	34011-88L02	KIT, 4 IN MULTI GAUGE	1	
43	34200-88L02	.GAUGE ASSY, 4 IN MULTI	1	
44	34922-88L01	.UNIT, INTERFACE	1	
45	36663-88L00	.HARNESS ASSY, NETWORK POWER	1	
46	36665-88L00	.UNIT, RESISTOR FEMALE	1	
47	36665-88L10	.UNIT, RESISTOR MALE	1	
48	34011-88L12	KIT, 2 IN MULTI GAUGE	1	
49	34800-88L01	.GAUGE ASSY, 2 IN MULTI	1	
50	34922-88L01	.UNIT, INTERFACE	1	
51	36662-88L00	.WIRE, 25 EXTENSION	1	
52	36663-88L00	.HARNESS ASSY, NETWORK POWER	1	
53	36665-88L00	.UNIT, RESISTOR FEMALE	1	
54	36665-88L10	.UNIT, RESISTOR MALE	1	
55	36668-88L00	.WIRE COMP,ADAPTER TO DIAGNS	1	

FIG.433

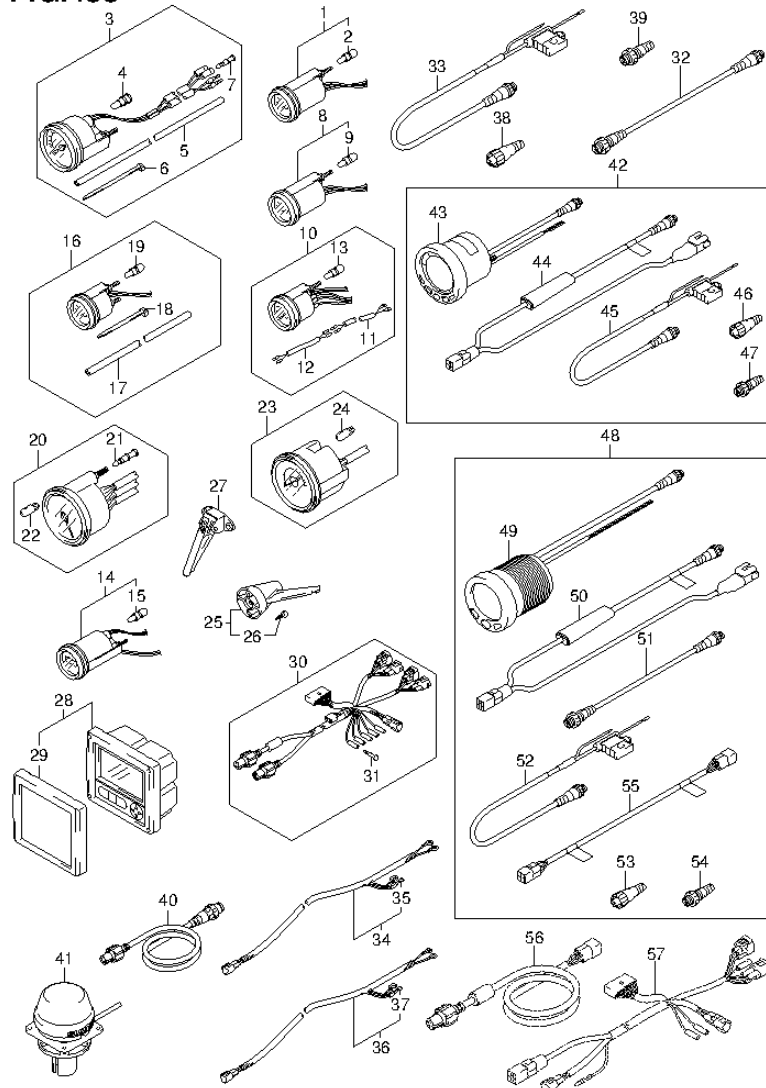


FIG.433 (4-E-12) OPT:METER (DF40AST E34)

REF NO.	PART NO.	DESCRIPTION	Q'TY	REMARKS
56	36664-87L00	ADAPTER, GAUGE FOR DUAL STATION	1	
57	36665-87L00	ADAPTER, GAUGE FOR MULT	1	

FIG.434

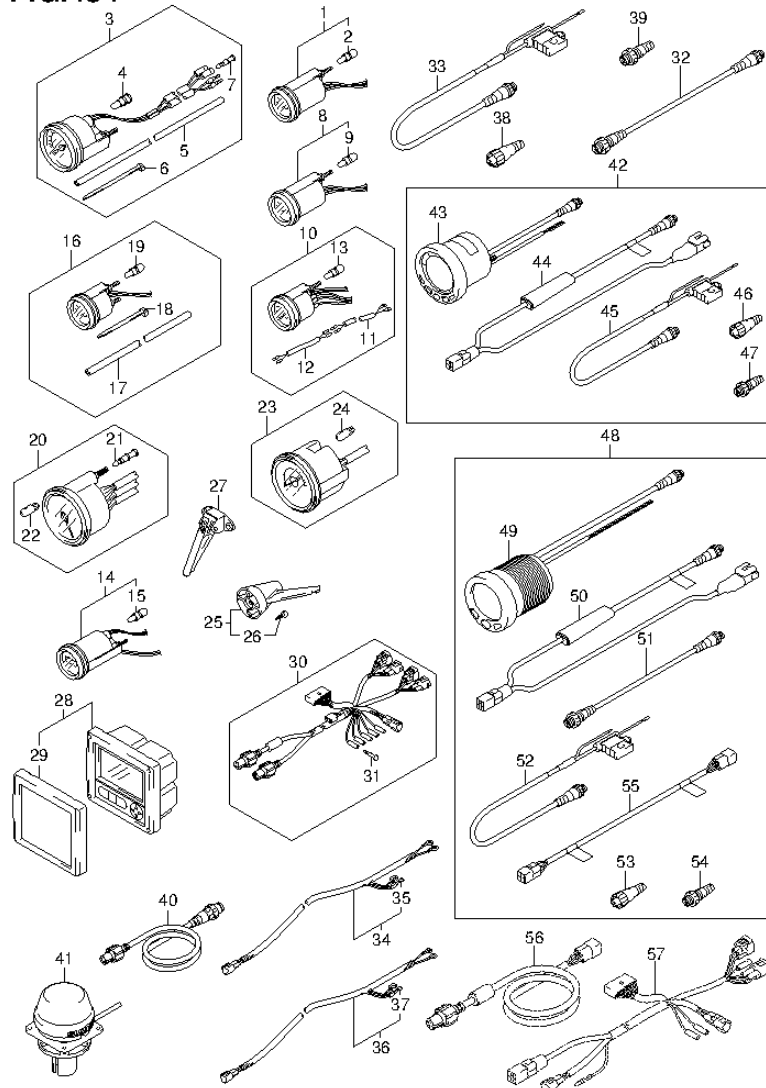


FIG.434 (4-E-13) OPT:METER (DF50A E01)

REF NO.	PART NO.	DESCRIPTION	Q'TY	REMARKS
1-1	34800-93J00	METER ASSY, TRIM	1	BLACK
1-2	34800-93J11	METER ASSY, TRIM	1	WHITE
2	09471-12103	.BULB (12V,3W,T6.5)	1	
3-1	34100-93J00	SPEEDOMETER ASSY	1	MAX 130KM/H BLACK
3-2	34100-93J11	SPEEDOMETER ASSY	1	MAX 130KM/H WHITE
3-3	34100-93J20	SPEEDOMETER ASSY	1	MAX 80KM/H BLACK
3-4	34100-93J31	SPEEDOMETER ASSY	1	MAX 80KM/H WHITE
3-5	34100-93J40	SPEEDOMETER ASSY	1	MAX 45KNOTS BLACK
3-6	34100-93J51	SPEEDOMETER ASSY	1	MAX 45KNOTS WHITE
3-7	34100-93J60	SPEEDOMETER ASSY	1	MAX 65KNOTS WHITE
4	09471-12028	.BULB (12V,3.4W)	1	
5	34191-92E00	.TUBE	1	
6	09407-14407	.CLAMP (L:145)	2	
7	36615-96300	.TERMINAL, RESIN	2	
8-1	34600-93J00	METER ASSY, VOLTAGE	1	BLACK
8-2	34600-93J11	METER ASSY, VOLTAGE	1	WHITE
9	09471-12103	.BULB (12V,3W,T6.5)	1	
10-1	34300-93J00	GAUGE ASSY, FUEL	1	BLACK
10-2	34300-93J11	GAUGE ASSY, FUEL	1	WHITE
11	34310-92E00	.LEAD, FUEL GAUGE	1	
12	34360-92E00	.ADAPTER, FUEL GAUGE	1	
13	09471-12103	.BULB (12V,3W,T6.5)	1	
14-1	34500-93J00	METER ASSY, HOUR	1	BLACK
14-2	34500-93J11	METER ASSY, HOUR	1	WHITE
15	09471-12103	.BULB (12V,3W,T6.5)	1	
16-1	34650-93J20	GAUGE ASSY, WATER PRESSURE	1	15PSI BLACK
16-2	34650-93J31	GAUGE ASSY, WATER PRESSURE	1	15PSI WHITE
17	34191-92E00	.TUBE	1	
18	09407-14407	.CLAMP (L:145)	2	
19	09471-12103	.BULB (12V,3W,T6.5)	1	
20-1	34200-93J00	TACHOMETER ASSY, WITH MONITOR	1	BLACK
20-2	34200-93J11	TACHOMETER ASSY, WITH MONITOR	1	WHITE
21	36615-96300	.TERMINAL, RESIN	4	
22	09471-12077	.BULB (12V,1.7W)	1	

FIG.434

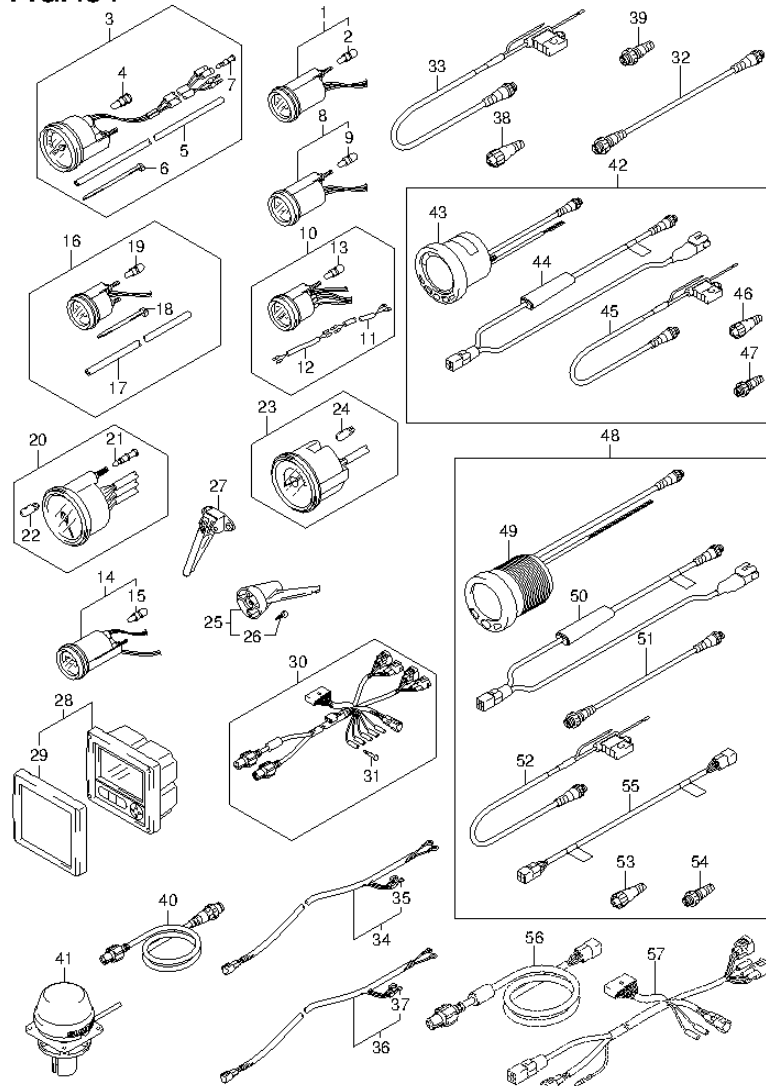


FIG.434 (4-E-14) OPT:METER (DF50A E01)

REF NO.	PART NO.	DESCRIPTION	Q'TY	REMARKS
23-1	34200-93J40	TACHOMETER ASSY, WITH MONITOR	1	BLACK
23-2	34200-93J50	TACHOMETER ASSY, WITH MONITOR	1	WHITE
24	09471-12077	.BULB (12V,1.7W)	1	
25	34190-95500	SENDER ASSY, SPEEDOMETER	1	
26	03112-06303	.SCREW	2	
27	34190-87D00	SENDER, SPEEDOMETER	1	
28	34200-87L12	GAUGE ASSY, MULTI	1	
29	34211-87L00	.COVER, FRONT	1	
30	36661-87L00	ADAPTER, GAUGE	1	
31	36615-96300	.TERMINAL, RESIN	5	
32	36662-88L00	WIRE, EXTENSION	1	
33	36663-88L00	HARNESS ASSY, NETWORK POWER	1	
34	36663-98J00	WIRE, GAUGE POWER	1	
35	09481-05501	.FUSE (5A)	1	
36	36663-98J10	WIRE, GAUGE POWER	1	
37	09481-05501	.FUSE (5A)	1	
38	36665-88L00	UNIT, RESISTOR FEMALE	1	
39	36665-88L10	UNIT, RESISTOR MALE	1	
40	36666-87L00	WIRE, NETWORK	1	
41	39950-87L00	MODULE ASSY, GPS RECEIVER	1	
42	34011-88L02	KIT, 4 IN MULTI GAUGE	1	
43	34200-88L02	.GAUGE ASSY, 4 IN MULTI	1	
44	34922-88L01	.UNIT, INTERFACE	1	
45	36663-88L00	.HARNESS ASSY, NETWORK POWER	1	
46	36665-88L00	.UNIT, RESISTOR FEMALE	1	
47	36665-88L10	.UNIT, RESISTOR MALE	1	
48	34011-88L12	KIT, 2 IN MULTI GAUGE	1	
49	34800-88L01	.GAUGE ASSY, 2 IN MULTI	1	
50	34922-88L01	.UNIT, INTERFACE	1	
51	36662-88L00	WIRE, 25 EXTENSION	1	
52	36663-88L00	.HARNESS ASSY, NETWORK POWER	1	
53	36665-88L00	.UNIT, RESISTOR FEMALE	1	
54	36665-88L10	.UNIT, RESISTOR MALE	1	
55	36668-88L00	.WIRE COMP,ADAPTER TO DIAGNS	1	

FIG.434

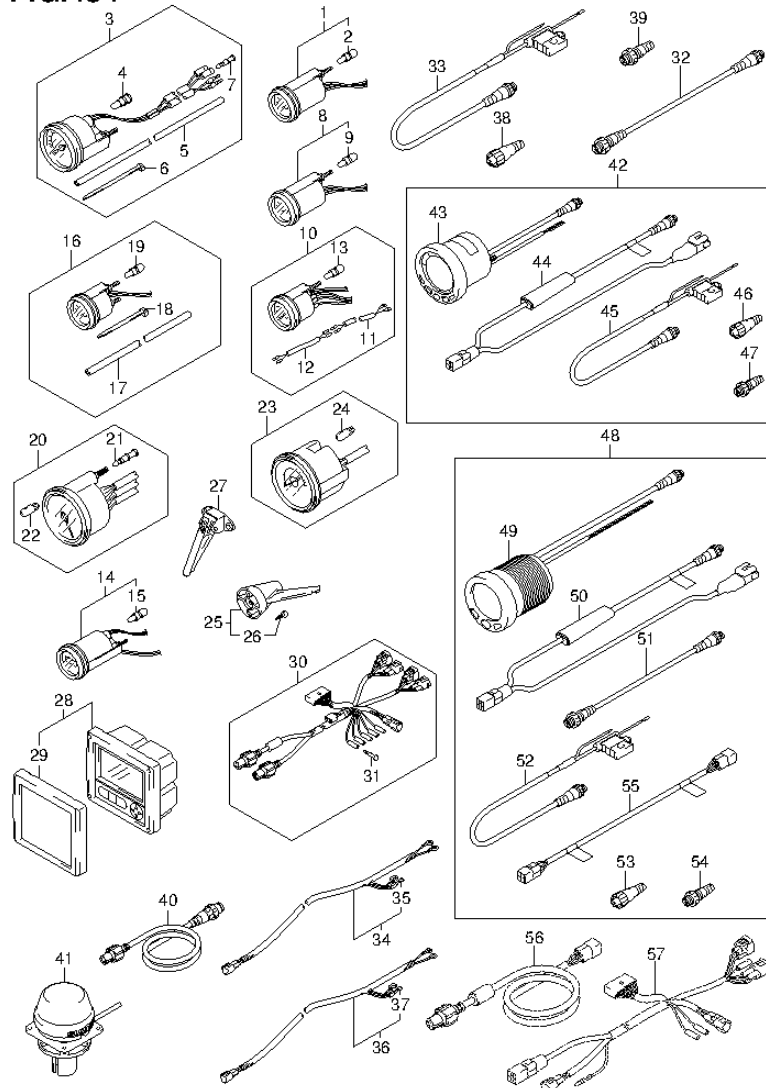


FIG.434 (4-E-15) OPT:METER (DF50A E01)

REF NO.	PART NO.	DESCRIPTION	Q'TY	REMARKS
56	36664-87L00	ADAPTER, GAUGE FOR DUAL STATION	1	
57	36665-87L00	ADAPTER, GAUGE FOR MULT	1	

FIG.435

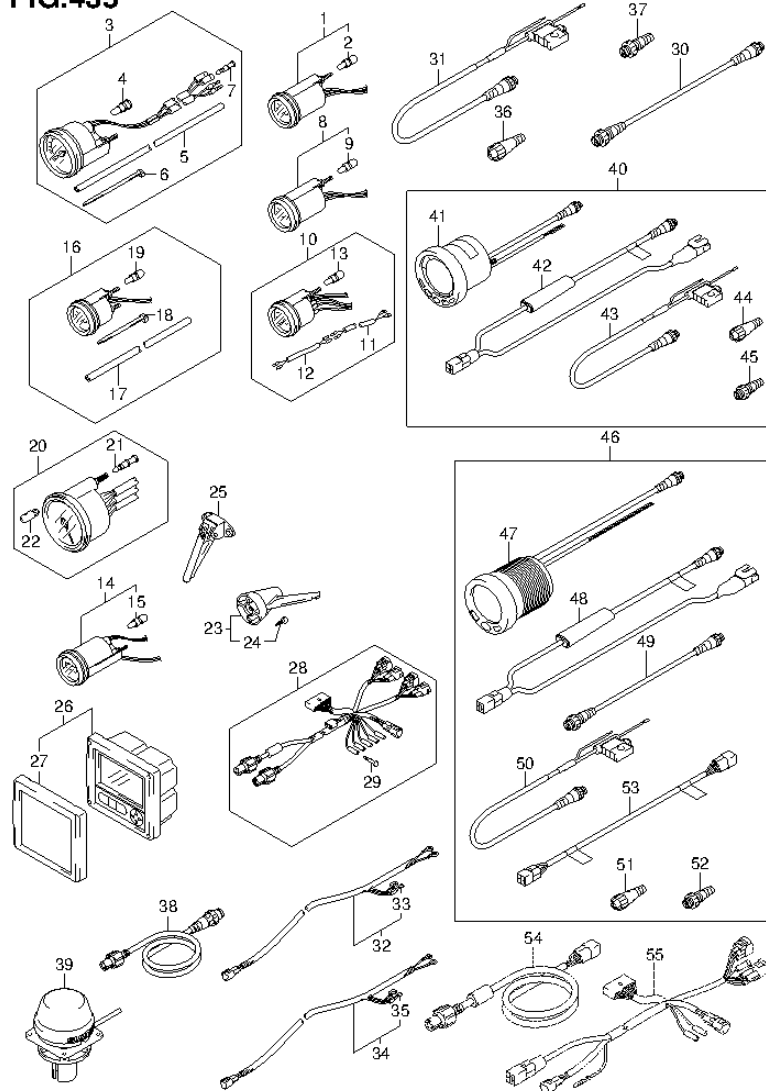


FIG.435 (4-F-2) OPT:METER (DF50ATH E01)

REF NO.	PART NO.	DESCRIPTION	Q'TY	REMARKS
1-1	34800-93J00	METER ASSY, TRIM	1	BLACK
1-2	34800-93J11	METER ASSY, TRIM	1	WHITE
2	09471-12103	.BULB (12V,3W,T6.5)	1	
3-1	34100-93J00	SPEEDOMETER ASSY	1	MAX 130KM/H BLACK
3-2	34100-93J11	SPEEDOMETER ASSY	1	MAX 130KM/H WHITE
3-3	34100-93J20	SPEEDOMETER ASSY	1	MAX 80KM/H BLACK
3-4	34100-93J31	SPEEDOMETER ASSY	1	MAX 80KM/H WHITE
3-5	34100-93J40	SPEEDOMETER ASSY	1	MAX 45KNOTS BLACK
3-6	34100-93J51	SPEEDOMETER ASSY	1	MAX 45KNOTS WHITE
3-7	34100-93J60	SPEEDOMETER ASSY	1	MAX 65KNOTS WHITE
4	09471-12028	.BULB (12V,3.4W)	1	
5	34191-92E00	.TUBE	1	
6	09407-14407	.CLAMP (L:145)	2	
7	36615-96300	.TERMINAL, RESIN	2	
8-1	34600-93J00	METER ASSY, VOLTAGE	1	BLACK
8-2	34600-93J11	METER ASSY, VOLTAGE	1	WHITE
9	09471-12103	.BULB (12V,3W,T6.5)	1	
10-1	34300-93J00	GAUGE ASSY, FUEL	1	BLACK
10-2	34300-93J11	GAUGE ASSY, FUEL	1	WHITE
11	34310-92E00	.LEAD, FUEL GAUGE	1	
12	34360-92E00	.ADAPTER, FUEL GAUGE	1	
13	09471-12103	.BULB (12V,3W,T6.5)	1	
14-1	34500-93J00	METER ASSY, HOUR	1	BLACK
14-2	34500-93J11	METER ASSY, HOUR	1	WHITE
15	09471-12103	.BULB (12V,3W,T6.5)	1	
16-1	34650-93J20	GAUGE ASSY, WATER PRESSURE	1	15PSI BLACK
16-2	34650-93J31	GAUGE ASSY, WATER PRESSURE	1	15PSI WHITE
17	34191-92E00	.TUBE	1	
18	09407-14407	.CLAMP (L:145)	2	
19	09471-12103	.BULB (12V,3W,T6.5)	1	
20-1	34200-93J00	TACHOMETER ASSY, WITH MONITOR	1	BLACK
20-2	34200-93J11	TACHOMETER ASSY, WITH MONITOR	1	WHITE
21	36615-96300	.TERMINAL, RESIN	4	
22	09471-12077	.BULB (12V,1.7W)	1	

FIG.435

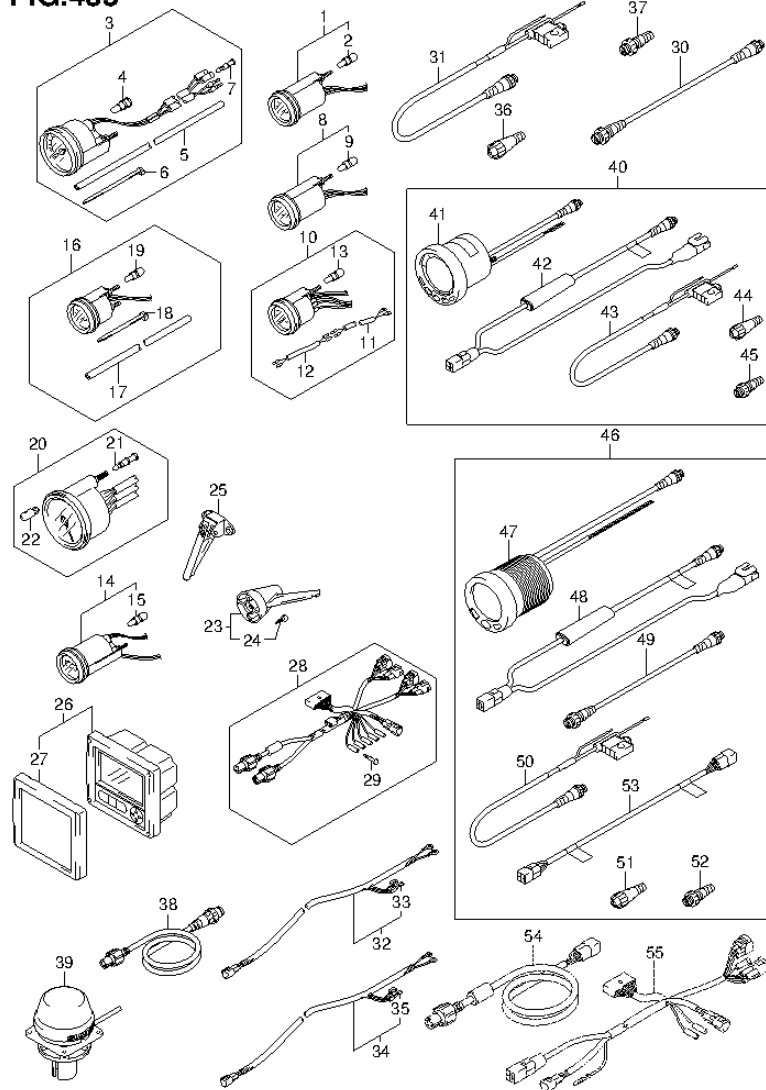


FIG.435 (4-F-3) OPT:METER (DF50ATH E01)

REF NO.	PART NO.	DESCRIPTION	Q'TY	REMARKS
23	34190-95500	SENDER ASSY, SPEEDOMETER	1	
24	03112-06303	.SCREW	2	
25	34190-87D00	SENDER, SPEEDOMETER	1	
26	34200-87L12	GAUGE ASSY, MULTI	1	
27	34211-87L00	.COVER, FRONT	1	
28	36661-87L00	ADAPTER, GAUGE	1	
29	36615-96300	.TERMINAL, RESIN	5	
30	36662-88L00	WIRE, EXTENSION	1	
31	36663-88L00	HARNESS ASSY, NETWORK POWER	1	
32	36663-98J00	WIRE, GAUGE POWER (2.5M)	1	
33	09481-05501	.FUSE (5A)	1	
34	36663-98J10	WIRE, GAUGE POWER (6.0M)	1	
35	09481-05501	.FUSE (5A)	1	
36	36665-88L00	UNIT, RESISTOR FEMALE	1	
37	36665-88L10	UNIT, RESISTOR MALE	1	
38	36666-87L00	WIRE, NETWORK	1	
39	39950-87L00	MODULE ASSY, GPS RECEIVER	1	
40	34011-88L02	KIT, 4 IN MULTI GAUGE	1	
41	34200-88L02	.GAUGE ASSY, 4 IN MULTI	1	
42	34922-88L01	.UNIT, INTERFACE	1	
43	36663-88L00	.HARNESS ASSY, NETWORK POWER	1	
44	36665-88L00	.UNIT, RESISTOR FEMALE	1	
45	36665-88L10	.UNIT, RESISTOR MALE	1	
46	34011-88L12	KIT, 2 IN MULTI GAUGE	1	
47	34800-88L01	.GAUGE ASSY, 2 IN MULTI	1	
48	34922-88L01	.UNIT, INTERFACE	1	
49	36662-88L00	.WIRE, 25 EXTENSION	1	
50	36663-88L00	.HARNESS ASSY, NETWORK POWER	1	
51	36665-88L00	.UNIT, RESISTOR FEMALE	1	
52	36665-88L10	.UNIT, RESISTOR MALE	1	
53	36668-88L00	.WIRE COMP,ADAPTER TO DIAGNS	1	
54	36664-87L00	ADAPTER, GAUGE FOR DUAL STATION	1	
55	36665-87L00	ADAPTER, GAUGE FOR MULT	1	

FIG.436

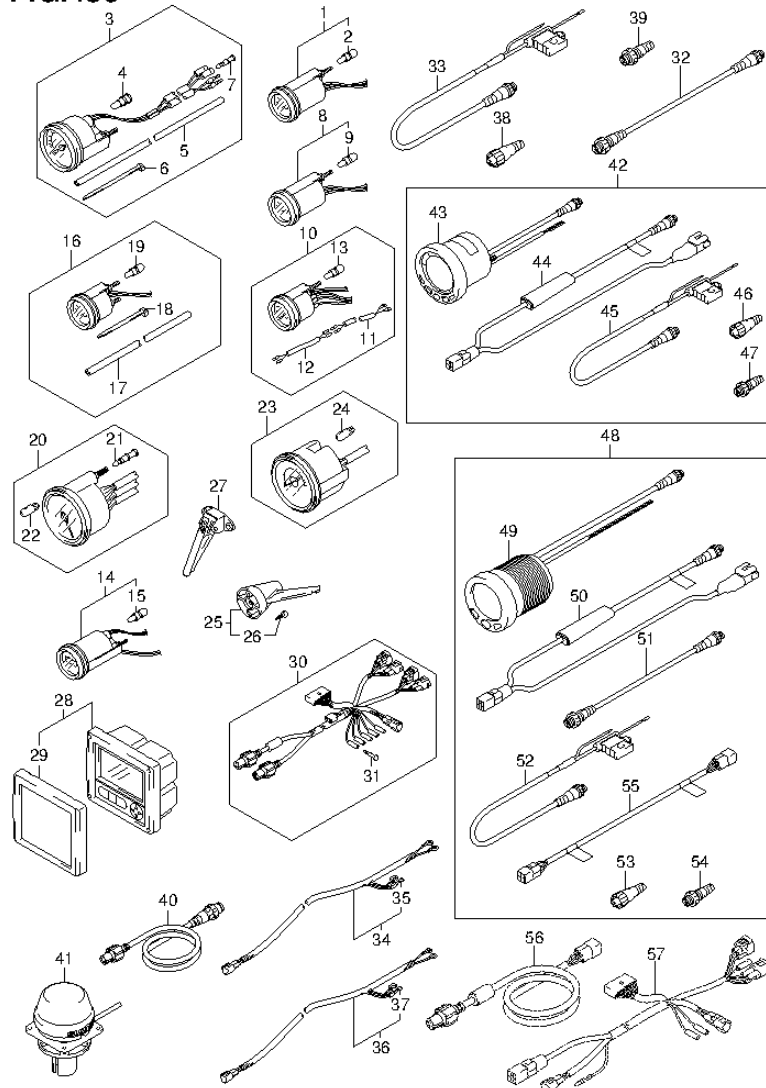


FIG.436 (4-F-4) OPT:METER (DF60A E01)

REF NO.	PART NO.	DESCRIPTION	Q'TY	REMARKS
1-1	34800-93J00	METER ASSY, TRIM	1	BLACK
1-2	34800-93J11	METER ASSY, TRIM	1	WHITE
2	09471-12103	.BULB (12V,3W,T6.5)	1	
3-1	34100-93J00	SPEEDOMETER ASSY	1	MAX 130KM/H BLACK
3-2	34100-93J11	SPEEDOMETER ASSY	1	
3-3	34100-93J20	SPEEDOMETER ASSY	1	MAX 80KM/H BLACK
3-4	34100-93J31	SPEEDOMETER ASSY	1	MAX 80KM/H WHITE
3-5	34100-93J40	SPEEDOMETER ASSY	1	MAX 45KNOTS BLACK
3-6	34100-93J51	SPEEDOMETER ASSY	1	MAX 45KNOTS WHITE
3-7	34100-93J60	SPEEDOMETER ASSY	1	MAX 65KNOTS WHITE
4	09471-12028	.BULB (12V,3.4W)	1	
5	34191-92E00	.TUBE	1	
6	09407-14407	.CLAMP (L:145)	2	
7	36615-96300	.TERMINAL, RESIN	2	
8-1	34600-93J00	METER ASSY, VOLTAGE	1	BLACK
8-2	34600-93J11	METER ASSY, VOLTAGE	1	WHITE
9	09471-12103	.BULB (12V,3W,T6.5)	1	
10-1	34300-93J00	GAUGE ASSY, FUEL	1	BLACK
10-2	34300-93J11	GAUGE ASSY, FUEL	1	WHITE
11	34310-92E00	.LEAD, FUEL GAUGE	1	
12	34360-92E00	.ADAPTER, FUEL GAUGE	1	
13	09471-12103	.BULB (12V,3W,T6.5)	1	
14-1	34500-93J00	METER ASSY, HOUR	1	BLACK
14-2	34500-93J11	METER ASSY, HOUR	1	WHITE
15	09471-12103	.BULB (12V,3W,T6.5)	1	
16-1	34650-93J20	GAUGE ASSY, WATER PRESSURE	1	15PSI BLACK
16-2	34650-93J31	GAUGE ASSY, WATER PRESSURE	1	15PSI WHITE
17	34191-92E00	.TUBE	1	
18	09407-14407	.CLAMP (L:145)	2	
19	09471-12103	.BULB (12V,3W,T6.5)	1	
20-1	34200-93J00	TACHOMETER ASSY, WITH MONITOR	1	BLACK
20-2	34200-93J11	TACHOMETER ASSY, WITH MONITOR	1	WHITE
21	36615-96300	.TERMINAL, RESIN	4	
22	09471-12077	.BULB (12V,1.7W)	1	

FIG.436

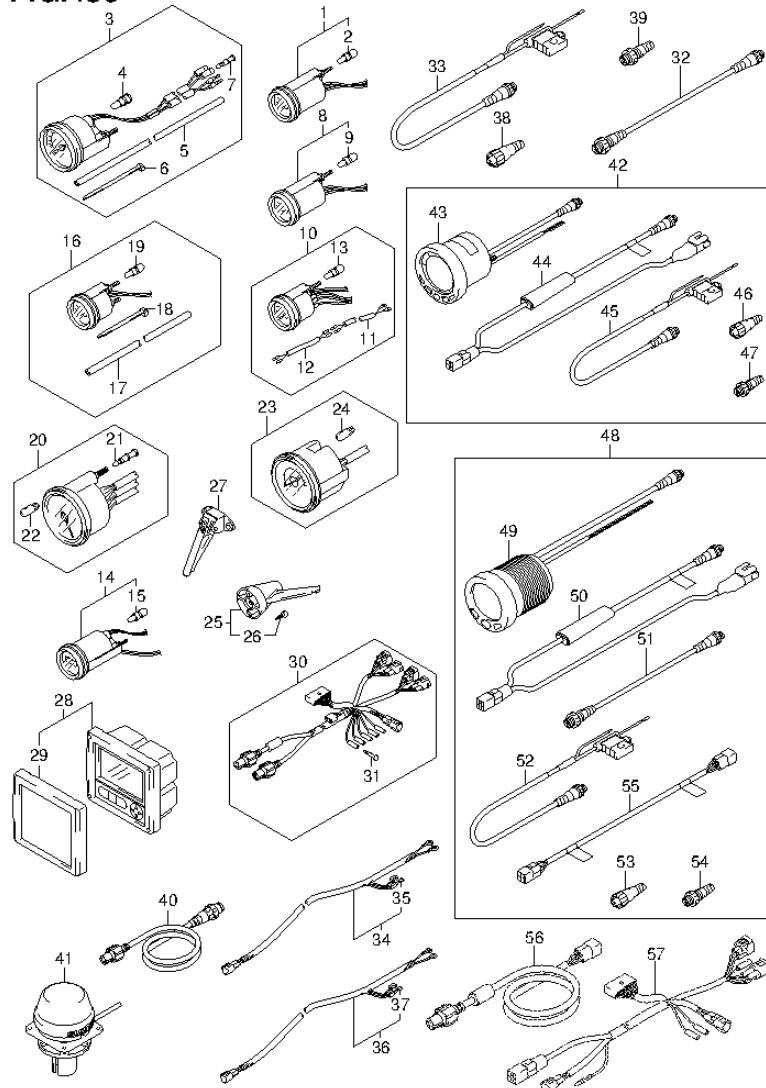


FIG.436 (4-F-5) OPT:METER (DF60A E01)

REF NO.	PART NO.	DESCRIPTION	Q'TY	REMARKS
23-1	34200-93J40	TACHOMETER ASSY, WITH MONITOR	1	BLACK
23-2	34200-93J50	TACHOMETER ASSY, WITH MONITOR	1	WHITE
24	09471-12077	.BULB (12V,1.7W)	1	
25	34190-95500	SENDER ASSY, SPEEDOMETER	1	
26	03112-06303	.SCREW	2	
27	34190-87D00	SENDER, SPEEDOMETER	1	
28	34200-87L12	GAUGE ASSY, MULTI	1	
29	34211-87L00	.COVER, FRONT	1	
30	36661-87L00	ADAPTER, GAUGE	1	
31	36615-96300	.TERMINAL, RESIN	5	
32	36662-88L00	WIRE, EXTENSION	1	
33	36663-88L00	HARNESS ASSY, NETWORK POWER	1	
34	36663-98J00	WIRE, GAUGE POWER	1	
35	09481-05501	.FUSE (5A)	1	
36	36663-98J10	WIRE, GAUGE POWER	1	
37	09481-05501	.FUSE (5A)	1	
38	36665-88L00	UNIT, RESISTOR FEMALE	1	
39	36665-88L10	UNIT, RESISTOR MALE	1	
40	36666-87L00	WIRE, NETWORK	1	
41	39950-87L00	MODULE ASSY, GPS RECEIVER	1	
42	34011-88L02	KIT, 4 IN MULTI GAUGE	1	
43	34200-88L02	.GAUGE ASSY, 4 IN MULTI	1	
44	34922-88L01	.UNIT, INTERFACE	1	
45	36663-88L00	.HARNESS ASSY, NETWORK POWER	1	
46	36665-88L00	.UNIT, RESISTOR FEMALE	1	
47	36665-88L10	.UNIT, RESISTOR MALE	1	
48	34011-88L12	KIT, 2 IN MULTI GAUGE	1	
49	34800-88L01	.GAUGE ASSY, 2 IN MULTI	1	
50	34922-88L01	.UNIT, INTERFACE	1	
51	36662-88L00	.WIRE, 25 EXTENSION	1	
52	36663-88L00	.HARNESS ASSY, NETWORK POWER	1	
53	36665-88L00	.UNIT, RESISTOR FEMALE	1	
54	36665-88L10	.UNIT, RESISTOR MALE	1	
55	36668-88L00	.WIRE COMP,ADAPTER TO DIAGNS	1	

FIG.436

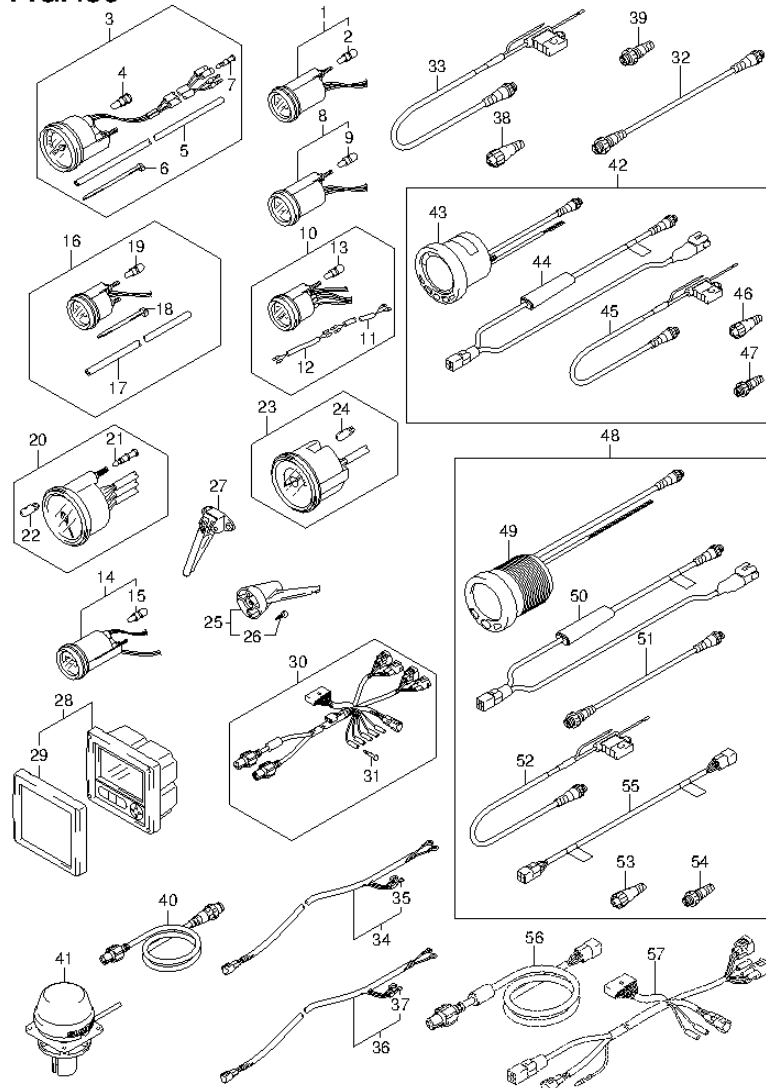


FIG.436 (4-F-6) OPT:METER (DF60A E01)

REF NO.	PART NO.	DESCRIPTION	Q'TY	REMARKS
56	36664-87L00	ADAPTER, GAUGE FOR DUAL STATION	1	
57	36665-87L00	ADAPTER, GAUGE FOR MULT	1	

FIG.437

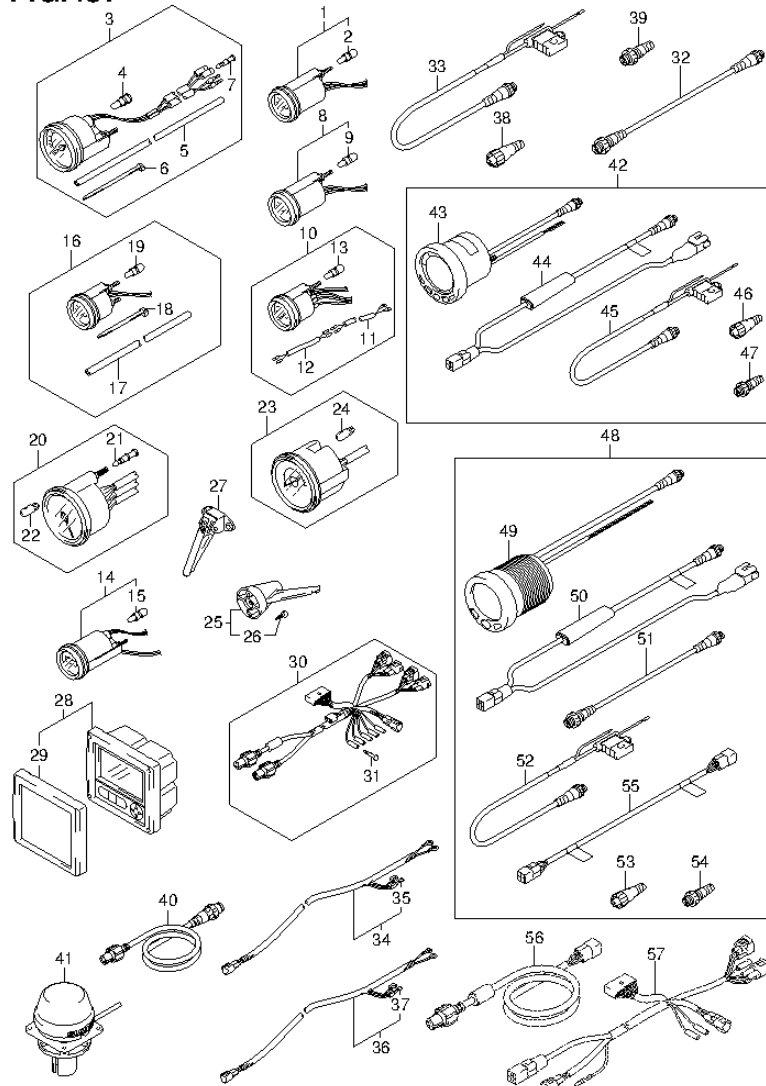


FIG.437 (4-F-7) OPT:METER (DF60A E40)

REF NO.	PART NO.	DESCRIPTION	Q'TY	REMARKS
1-1	34800-93J00	METER ASSY, TRIM	1	BLACK
1-2	34800-93J11	METER ASSY, TRIM	1	WHITE
2	09471-12103	.BULB (12V,3W,T6.5)	1	
3-1	34100-93J00	SPEEDOMETER ASSY	1	MAX 130KM/H BLACK
3-2	34100-93J11	SPEEDOMETER ASSY	1	MAX 130KM/H WHITE
3-3	34100-93J20	SPEEDOMETER ASSY	1	MAX 80KM/H BLACK
3-4	34100-93J31	SPEEDOMETER ASSY	1	MAX 80KM/H WHITE
3-5	34100-93J40	SPEEDOMETER ASSY	1	MAX 45KNOTS BLACK
3-6	34100-93J51	SPEEDOMETER ASSY	1	MAX 45KNOTS WHITE
3-7	34100-93J60	SPEEDOMETER ASSY	1	MAX 65KNOTS WHITE
4	09471-12028	.BULB (12V,3.4W)	1	
5	34191-92E00	.TUBE	1	
6	09407-14407	.CLAMP (L:145)	2	
7	36615-96300	.TERMINAL, RESIN	2	
8-1	34600-93J00	METER ASSY, VOLTAGE	1	BLACK
8-2	34600-93J11	METER ASSY, VOLTAGE	1	WHITE
9	09471-12103	.BULB (12V,3W,T6.5)	1	
10-1	34300-93J00	GAUGE ASSY, FUEL	1	BLACK
10-2	34300-93J11	GAUGE ASSY, FUEL	1	WHITE
11	34310-92E00	.LEAD, FUEL GAUGE	1	
12	34360-92E00	.ADAPTER, FUEL GAUGE	1	
13	09471-12103	.BULB (12V,3W,T6.5)	1	
14-1	34500-93J00	METER ASSY, HOUR	1	BLACK
14-2	34500-93J11	METER ASSY, HOUR	1	WHITE
15	09471-12103	.BULB (12V,3W,T6.5)	1	
16-1	34650-93J20	GAUGE ASSY, WATER PRESSURE	1	15PSI BLACK
16-2	34650-93J31	GAUGE ASSY, WATER PRESSURE	1	15PSI WHITE
17	34191-92E00	.TUBE	1	
18	09407-14407	.CLAMP (L:145)	2	
19	09471-12103	.BULB (12V,3W,T6.5)	1	
20-1	34200-93J00	TACHOMETER ASSY, WITH MONITOR	1	BLACK
20-2	34200-93J11	TACHOMETER ASSY, WITH MONITOR	1	WHITE
21	36615-96300	.TERMINAL, RESIN	4	
22	09471-12077	.BULB (12V,1.7W)	1	

FIG.437

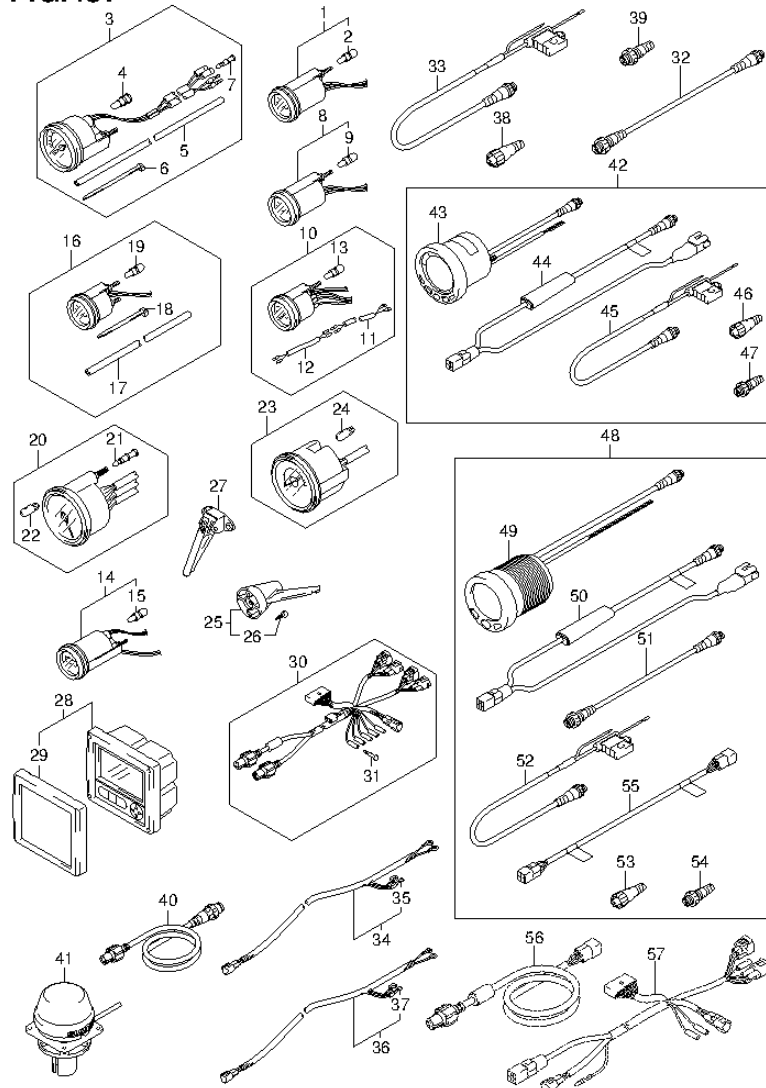


FIG.437 (4-F-8) OPT:METER (DF60A E40)

REF NO.	PART NO.	DESCRIPTION	Q'TY	REMARKS
23-1	34200-93J40	TACHOMETER ASSY, WITH MONITOR	1	BLACK
23-2	34200-93J50	TACHOMETER ASSY, WITH MONITOR	1	WHITE
24	09471-12077	.BULB (12V,1.7W)	1	
25	34190-95500	SENDER ASSY, SPEEDOMETER	1	
26	03112-06303	.SCREW	2	
27	34190-87D00	SENDER, SPEEDOMETER	1	
28	34200-87L12	GAUGE ASSY, MULTI	1	
29	34211-87L00	.COVER, FRONT	1	
30	36661-87L00	ADAPTER, GAUGE	1	
31	36615-96300	.TERMINAL, RESIN	5	
32	36662-88L00	WIRE, EXTENSION	1	
33	36663-88L00	HARNESS ASSY, NETWORK POWER	1	
34	36663-98J00	WIRE, GAUGE POWER	1	
35	09481-05501	.FUSE (5A)	1	
36	36663-98J10	WIRE, GAUGE POWER	1	
37	09481-05501	.FUSE (5A)	1	
38	36665-88L00	UNIT, RESISTOR FEMALE	1	
39	36665-88L10	UNIT, RESISTOR MALE	1	
40	36666-87L00	WIRE, NETWORK	1	
41	39950-87L00	MODULE ASSY, GPS RECEIVER	1	
42	34011-88L02	KIT, 4 IN MULTI GAUGE	1	
43	34200-88L02	.GAUGE ASSY, 4 IN MULTI	1	
44	34922-88L01	.UNIT, INTERFACE	1	
45	36663-88L00	.HARNESS ASSY, NETWORK POWER	1	
46	36665-88L00	.UNIT, RESISTOR FEMALE	1	
47	36665-88L10	.UNIT, RESISTOR MALE	1	
48	34011-88L12	KIT, 2 IN MULTI GAUGE	1	
49	34800-88L01	.GAUGE ASSY, 2 IN MULTI	1	
50	34922-88L01	.UNIT, INTERFACE	1	
51	36662-88L00	.WIRE, 25 EXTENSION	1	
52	36663-88L00	.HARNESS ASSY, NETWORK POWER	1	
53	36665-88L00	.UNIT, RESISTOR FEMALE	1	
54	36665-88L10	.UNIT, RESISTOR MALE	1	
55	36668-88L00	.WIRE COMP,ADAPTER TO DIAGNS	1	

FIG.437

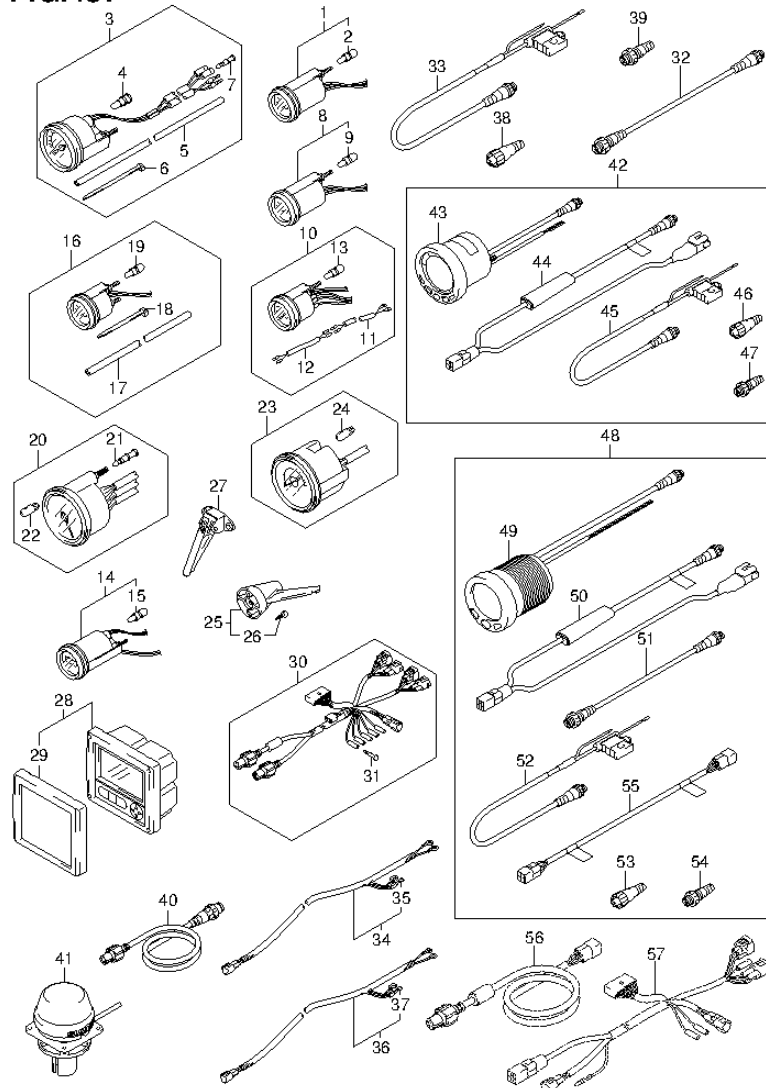


FIG.437 (4-F-9) OPT:METER (DF60A E40)

REF NO.	PART NO.	DESCRIPTION	Q'TY	REMARKS
56	36664-87L00	ADAPTER, GAUGE FOR DUAL STATION	1	
57	36665-87L00	ADAPTER, GAUGE FOR MULT	1	

FIG.438

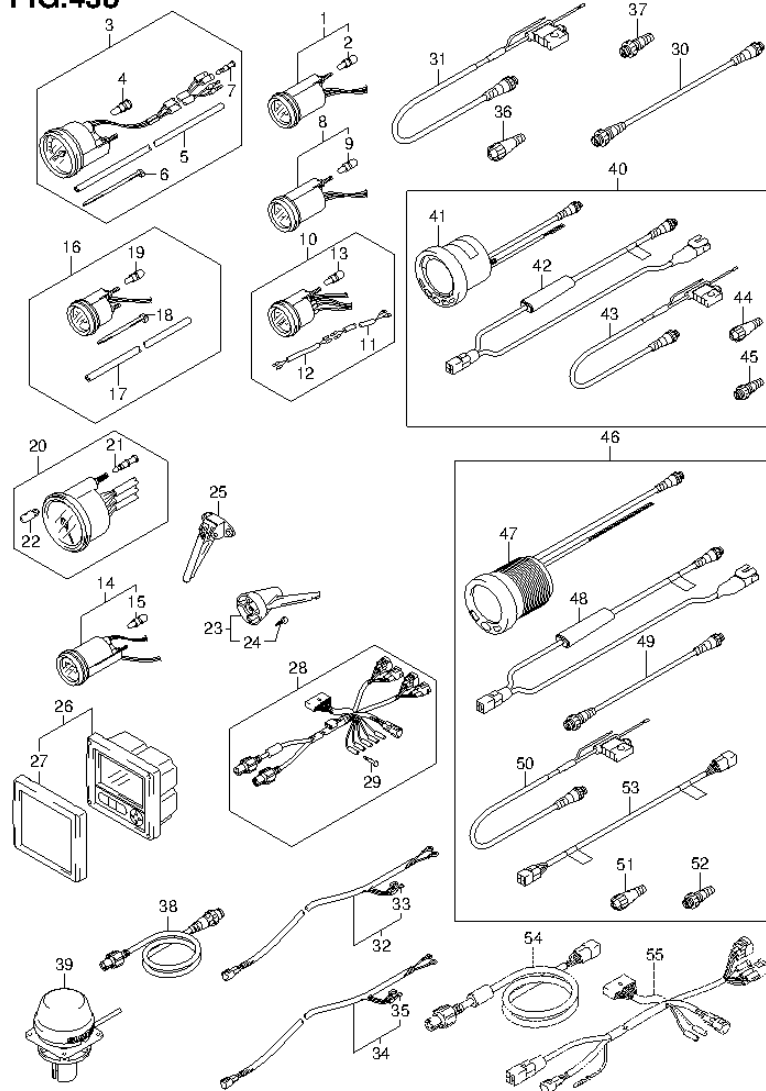


FIG.438 (4-F-10) OPT:METER (DF60AQH E01)

REF NO.	PART NO.	DESCRIPTION	Q'TY	REMARKS
1-1	34800-93J00	METER ASSY, TRIM	1	BLACK
1-2	34800-93J11	METER ASSY, TRIM	1	WHITE
2	09471-12103	.BULB (12V,3W,T6.5)	1	
3-1	34100-93J00	SPEEDOMETER ASSY	1	MAX 130KM/H BLACK
3-2	34100-93J11	SPEEDOMETER ASSY	1	MAX 130KM/H WHITE
3-3	34100-93J20	SPEEDOMETER ASSY	1	MAX 80KM/H BLACK
3-4	34100-93J31	SPEEDOMETER ASSY	1	MAX 80KM/H WHITE
3-5	34100-93J40	SPEEDOMETER ASSY	1	MAX 45KNOTS BLACK
3-6	34100-93J51	SPEEDOMETER ASSY	1	MAX 45KNOTS WHITE
3-7	34100-93J60	SPEEDOMETER ASSY	1	MAX 65KNOTS WHITE
4	09471-12028	.BULB (12V,3.4W)	1	
5	34191-92E00	.TUBE	1	
6	09407-14407	.CLAMP (L:145)	2	
7	36615-96300	.TERMINAL, RESIN	2	
8-1	34600-93J00	METER ASSY, VOLTAGE	1	BLACK
8-2	34600-93J11	METER ASSY, VOLTAGE	1	WHITE
9	09471-12103	.BULB (12V,3W,T6.5)	1	
10-1	34300-93J00	GAUGE ASSY, FUEL	1	BLACK
10-2	34300-93J11	GAUGE ASSY, FUEL	1	WHITE
11	34310-92E00	.LEAD, FUEL GAUGE	1	
12	34360-92E00	.ADAPTER, FUEL GAUGE	1	
13	09471-12103	.BULB (12V,3W,T6.5)	1	
14-1	34500-93J00	METER ASSY, HOUR	1	BLACK
14-2	34500-93J11	METER ASSY, HOUR	1	WHITE
15	09471-12103	.BULB (12V,3W,T6.5)	1	
16-1	34650-93J20	GAUGE ASSY, WATER PRESSURE	1	15PSI BLACK
16-2	34650-93J31	GAUGE ASSY, WATER PRESSURE	1	15PSI WHITE
17	34191-92E00	.TUBE	1	
18	09407-14407	.CLAMP (L:145)	2	
19	09471-12103	.BULB (12V,3W,T6.5)	1	
20-1	34200-93J00	TACHOMETER ASSY, WITH MONITOR	1	BLACK
20-2	34200-93J11	TACHOMETER ASSY, WITH MONITOR	1	WHITE
21	36615-96300	.TERMINAL, RESIN	4	
22	09471-12077	.BULB (12V,1.7W)	1	

FIG.438

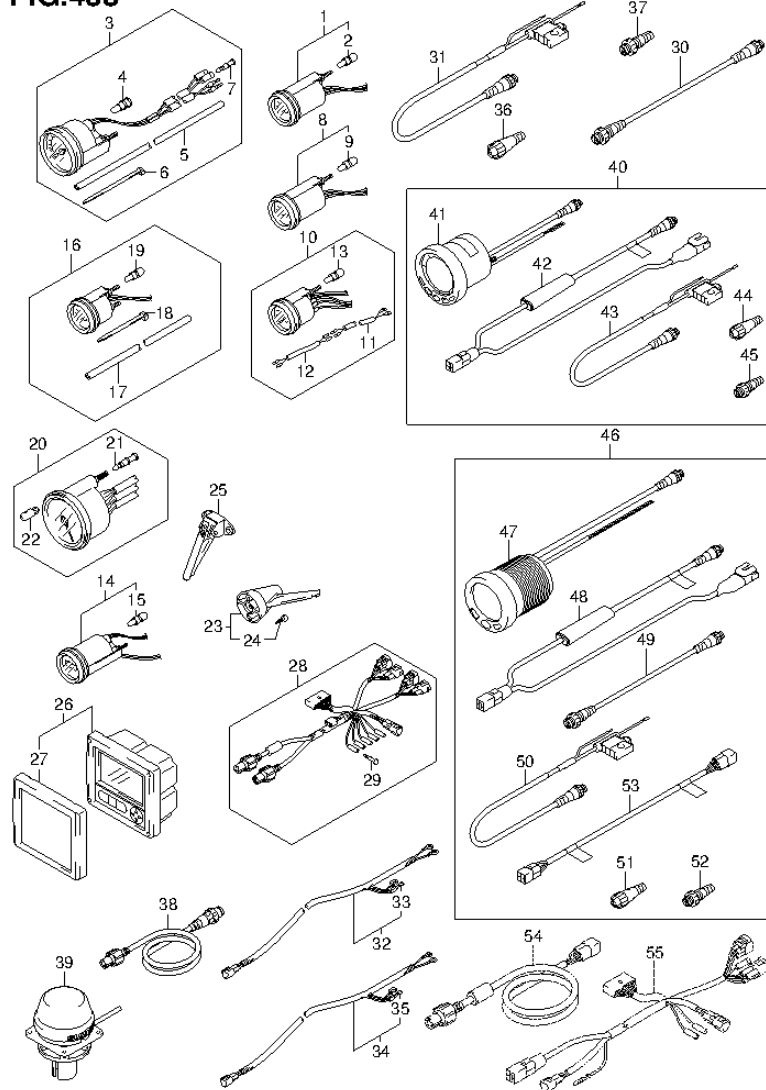


FIG.438 (4-F-11) OPT:METER (DF60AQH E01)

REF NO.	PART NO.	DESCRIPTION	Q'TY	REMARKS
23	34190-95500	SENDER ASSY, SPEEDOMETER	1	
24	03112-06303	.SCREW	2	
25	34190-87D00	SENDER, SPEEDOMETER	1	
26	34200-87L12	GAUGE ASSY, MULTI	1	
27	34211-87L00	.COVER, FRONT	1	
28	36661-87L00	ADAPTER, GAUGE	1	
29	36615-96300	.TERMINAL, RESIN	5	
30	36662-88L00	WIRE, EXTENSION	1	
31	36663-88L00	HARNESS ASSY, NETWORK POWER	1	
32	36663-98J00	WIRE, GAUGE POWER (2.5M)	1	
33	09481-05501	.FUSE (5A)	1	
34	36663-98J10	WIRE, GAUGE POWER (6.0M)	1	
35	09481-05501	.FUSE (5A)	1	
36	36665-88L00	UNIT, RESISTOR FEMALE	1	
37	36665-88L10	UNIT, RESISTOR MALE	1	
38	36666-87L00	WIRE, NETWORK	1	
39	39950-87L00	MODULE ASSY, GPS RECEIVER	1	
40	34011-88L02	KIT, 4 IN MULTI GAUGE	1	
41	34200-88L02	.GAUGE ASSY, 4 IN MULTI	1	
42	34922-88L01	.UNIT, INTERFACE	1	
43	36663-88L00	.HARNESS ASSY, NETWORK POWER	1	
44	36665-88L00	.UNIT, RESISTOR FEMALE	1	
45	36665-88L10	.UNIT, RESISTOR MALE	1	
46	34011-88L12	KIT, 2 IN MULTI GAUGE	1	
47	34800-88L01	.GAUGE ASSY, 2 IN MULTI	1	
48	34922-88L01	.UNIT, INTERFACE	1	
49	36662-88L00	.WIRE, 25 EXTENSION	1	
50	36663-88L00	.HARNESS ASSY, NETWORK POWER	1	
51	36665-88L00	.UNIT, RESISTOR FEMALE	1	
52	36665-88L10	.UNIT, RESISTOR MALE	1	
53	36668-88L00	.WIRE COMP,ADAPTER TO DIAGNS	1	
54	36664-87L00	ADAPTER, GAUGE FOR DUAL STATION	1	
55	36665-87L00	ADAPTER, GAUGE FOR MULT	1	

FIG.439

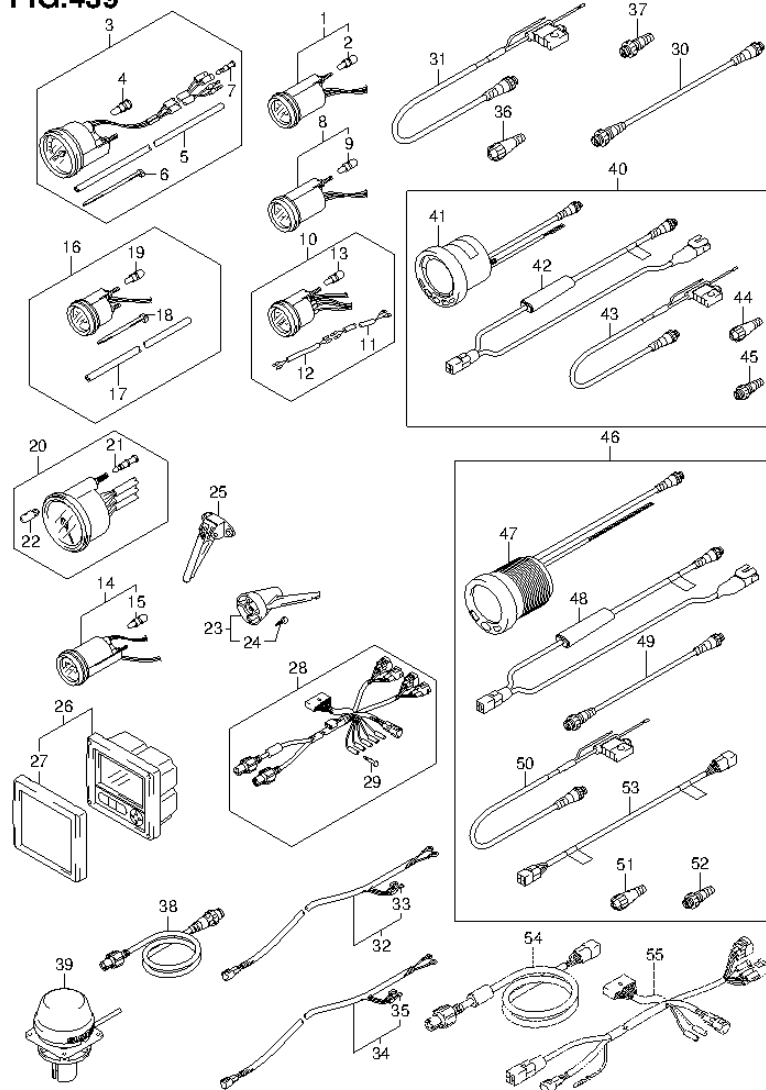


FIG.439 (4-F-12) OPT:METER (DF60AQH E40)

REF NO.	PART NO.	DESCRIPTION	Q'TY	REMARKS
1-1	34800-93J00	METER ASSY, TRIM	1	BLACK
1-2	34800-93J11	METER ASSY, TRIM	1	WHITE
2	09471-12103	.BULB (12V,3W,T6.5)	1	
3-1	34100-93J00	SPEEDOMETER ASSY	1	MAX 130KM/H BLACK
3-2	34100-93J11	SPEEDOMETER ASSY	1	MAX 130KM/H WHITE
3-3	34100-93J20	SPEEDOMETER ASSY	1	MAX 80KM/H BLACK
3-4	34100-93J31	SPEEDOMETER ASSY	1	MAX 80KM/H WHITE
3-5	34100-93J40	SPEEDOMETER ASSY	1	MAX 45KNOTS BLACK
3-6	34100-93J51	SPEEDOMETER ASSY	1	MAX 45KNOTS WHITE
3-7	34100-93J60	SPEEDOMETER ASSY	1	MAX 65KNOTS WHITE
4	09471-12028	.BULB (12V,3.4W)	1	
5	34191-92E00	.TUBE	1	
6	09407-14407	.CLAMP (L:145)	2	
7	36615-96300	.TERMINAL, RESIN	2	
8-1	34600-93J00	METER ASSY, VOLTAGE	1	BLACK
8-2	34600-93J11	METER ASSY, VOLTAGE	1	WHITE
9	09471-12103	.BULB (12V,3W,T6.5)	1	
10-1	34300-93J00	GAUGE ASSY, FUEL	1	BLACK
10-2	34300-93J11	GAUGE ASSY, FUEL	1	WHITE
11	34310-92E00	.LEAD, FUEL GAUGE	1	
12	34360-92E00	.ADAPTER, FUEL GAUGE	1	
13	09471-12103	.BULB (12V,3W,T6.5)	1	
14-1	34500-93J00	METER ASSY, HOUR	1	BLACK
14-2	34500-93J11	METER ASSY, HOUR	1	WHITE
15	09471-12103	.BULB (12V,3W,T6.5)	1	
16-1	34650-93J20	GAUGE ASSY, WATER PRESSURE	1	15PSI BLACK
16-2	34650-93J31	GAUGE ASSY, WATER PRESSURE	1	15PSI WHITE
17	34191-92E00	.TUBE	1	
18	09407-14407	.CLAMP (L:145)	2	
19	09471-12103	.BULB (12V,3W,T6.5)	1	
20-1	34200-93J00	TACHOMETER ASSY, WITH MONITOR	1	BLACK
20-2	34200-93J11	TACHOMETER ASSY, WITH MONITOR	1	WHITE
21	36615-96300	.TERMINAL, RESIN	4	
22	09471-12077	.BULB (12V,1.7W)	1	

FIG.439

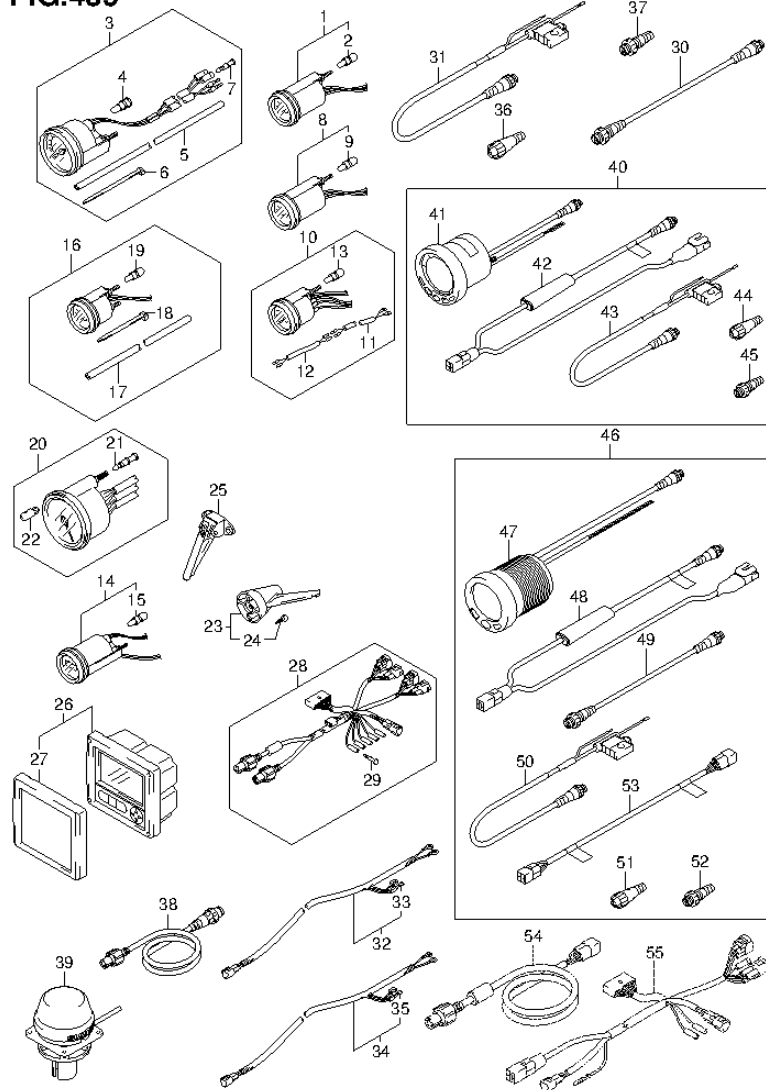


FIG.439 (4-F-13) OPT:METER (DF60AQH E40)

REF NO.	PART NO.	DESCRIPTION	Q'TY	REMARKS
23	34190-95500	SENDER ASSY, SPEEDOMETER	1	
24	03112-06303	.SCREW	2	
25	34190-87D00	SENDER, SPEEDOMETER	1	
26	34200-87L12	GAUGE ASSY, MULTI	1	
27	34211-87L00	.COVER, FRONT	1	
28	36661-87L00	ADAPTER, GAUGE	1	
29	36615-96300	.TERMINAL, RESIN	5	
30	36662-88L00	WIRE, EXTENSION	1	
31	36663-88L00	HARNESS ASSY, NETWORK POWER	1	
32	36663-98J00	WIRE, GAUGE POWER (2.5M)	1	
33	09481-05501	.FUSE (5A)	1	
34	36663-98J10	WIRE, GAUGE POWER (6.0M)	1	
35	09481-05501	.FUSE (5A)	1	
36	36665-88L00	UNIT, RESISTOR FEMALE	1	
37	36665-88L10	UNIT, RESISTOR MALE	1	
38	36666-87L00	WIRE, NETWORK	1	
39	39950-87L00	MODULE ASSY, GPS RECEIVER	1	
40	34011-88L02	KIT, 4 IN MULTI GAUGE	1	
41	34200-88L02	.GAUGE ASSY, 4 IN MULTI	1	
42	34922-88L01	.UNIT, INTERFACE	1	
43	36663-88L00	.HARNESS ASSY, NETWORK POWER	1	
44	36665-88L00	.UNIT, RESISTOR FEMALE	1	
45	36665-88L10	.UNIT, RESISTOR MALE	1	
46	34011-88L12	KIT, 2 IN MULTI GAUGE	1	
47	34800-88L01	.GAUGE ASSY, 2 IN MULTI	1	
48	34922-88L01	.UNIT, INTERFACE	1	
49	36662-88L00	.WIRE, 25 EXTENSION	1	
50	36663-88L00	.HARNESS ASSY, NETWORK POWER	1	
51	36665-88L00	.UNIT, RESISTOR FEMALE	1	
52	36665-88L10	.UNIT, RESISTOR MALE	1	
53	36668-88L00	.WIRE COMP,ADAPTER TO DIAGNS	1	
54	36664-87L00	ADAPTER, GAUGE FOR DUAL STATION	1	
55	36665-87L00	ADAPTER, GAUGE FOR MULT	1	

FIG.440

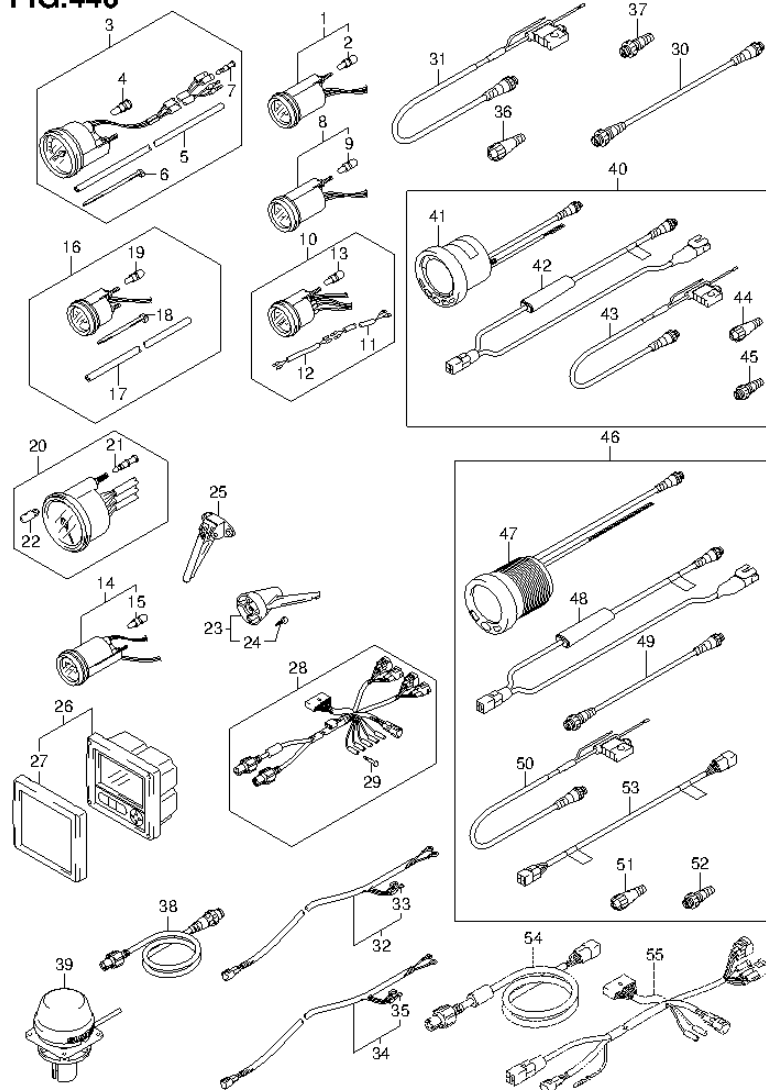


FIG.440 (4-F-14) OPT:METER (DF60ATH E01)

REF NO.	PART NO.	DESCRIPTION	Q'TY	REMARKS
1-1	34800-93J00	METER ASSY, TRIM	1	BLACK
1-2	34800-93J11	METER ASSY, TRIM	1	WHITE
2	09471-12103	.BULB (12V,3W,T6.5)	1	
3-1	34100-93J00	SPEEDOMETER ASSY	1	MAX 130KM/H BLACK
3-2	34100-93J11	SPEEDOMETER ASSY	1	MAX 130KM/H WHITE
3-3	34100-93J20	SPEEDOMETER ASSY	1	MAX 80KM/H BLACK
3-4	34100-93J31	SPEEDOMETER ASSY	1	MAX 80KM/H WHITE
3-5	34100-93J40	SPEEDOMETER ASSY	1	MAX 45KNOTS BLACK
3-6	34100-93J51	SPEEDOMETER ASSY	1	MAX 45KNOTS WHITE
3-7	34100-93J60	SPEEDOMETER ASSY	1	MAX 65KNOTS WHITE
4	09471-12028	.BULB (12V,3.4W)	1	
5	34191-92E00	.TUBE	1	
6	09407-14407	.CLAMP (L:145)	2	
7	36615-96300	.TERMINAL, RESIN	2	
8-1	34600-93J00	METER ASSY, VOLTAGE	1	BLACK
8-2	34600-93J11	METER ASSY, VOLTAGE	1	WHITE
9	09471-12103	.BULB (12V,3W,T6.5)	1	
10-1	34300-93J00	GAUGE ASSY, FUEL	1	BLACK
10-2	34300-93J11	GAUGE ASSY, FUEL	1	WHITE
11	34310-92E00	.LEAD, FUEL GAUGE	1	
12	34360-92E00	.ADAPTER, FUEL GAUGE	1	
13	09471-12103	.BULB (12V,3W,T6.5)	1	
14-1	34500-93J00	METER ASSY, HOUR	1	BLACK
14-2	34500-93J11	METER ASSY, HOUR	1	WHITE
15	09471-12103	.BULB (12V,3W,T6.5)	1	
16-1	34650-93J20	GAUGE ASSY, WATER PRESSURE	1	15PSI BLACK
16-2	34650-93J31	GAUGE ASSY, WATER PRESSURE	1	15PSI WHITE
17	34191-92E00	.TUBE	1	
18	09407-14407	.CLAMP (L:145)	2	
19	09471-12103	.BULB (12V,3W,T6.5)	1	
20-1	34200-93J00	TACHOMETER ASSY, WITH MONITOR	1	BLACK
20-2	34200-93J11	TACHOMETER ASSY, WITH MONITOR	1	WHITE
21	36615-96300	.TERMINAL, RESIN	4	
22	09471-12077	.BULB (12V,1.7W)	1	

FIG.440

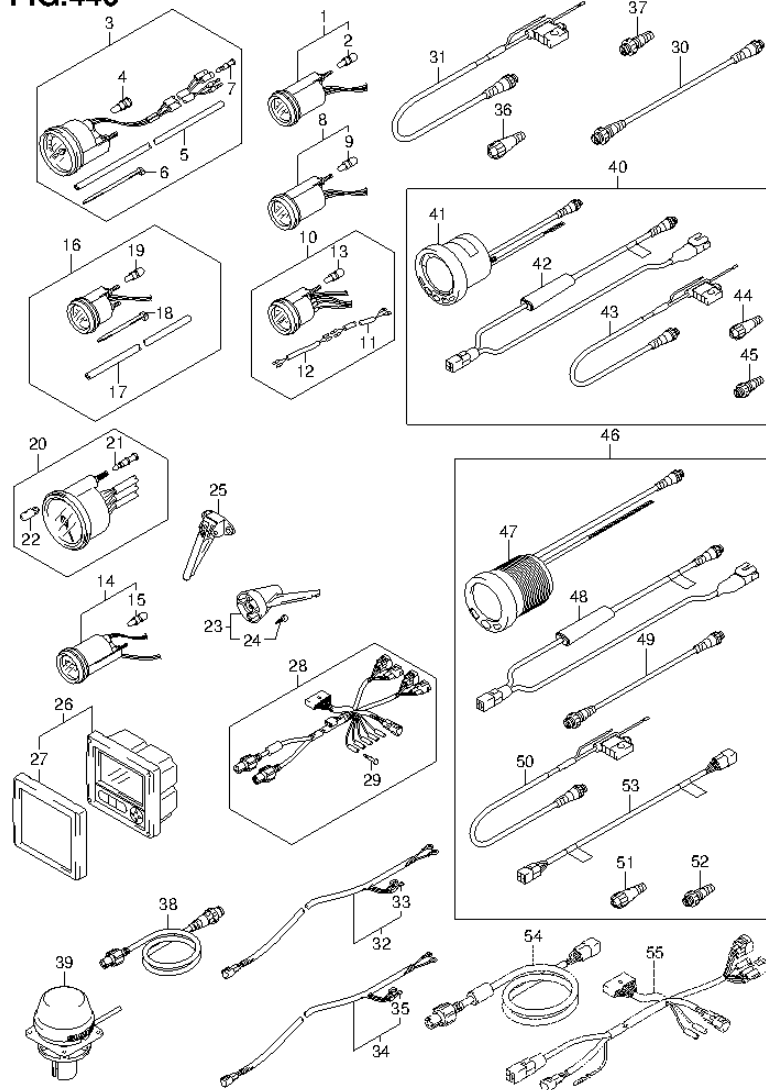


FIG.440 (4-F-15) OPT:METER (DF60ATH E01)

REF NO.	PART NO.	DESCRIPTION	Q'TY	REMARKS
23	34190-95500	SENDER ASSY, SPEEDOMETER	1	
24	03112-06303	.SCREW	2	
25	34190-87D00	SENDER, SPEEDOMETER	1	
26	34200-87L12	GAUGE ASSY, MULTI	1	
27	34211-87L00	.COVER, FRONT	1	
28	36661-87L00	ADAPTER, GAUGE	1	
29	36615-96300	.TERMINAL, RESIN	5	
30	36662-88L00	WIRE, EXTENSION	1	
31	36663-88L00	HARNESS ASSY, NETWORK POWER	1	
32	36663-98J00	WIRE, GAUGE POWER (2.5M)	1	
33	09481-05501	.FUSE (5A)	1	
34	36663-98J10	WIRE, GAUGE POWER (6.0M)	1	
35	09481-05501	.FUSE (5A)	1	
36	36665-88L00	UNIT, RESISTOR FEMALE	1	
37	36665-88L10	UNIT, RESISTOR MALE	1	
38	36666-87L00	WIRE, NETWORK	1	
39	39950-87L00	MODULE ASSY, GPS RECEIVER	1	
40	34011-88L02	KIT, 4 IN MULTI GAUGE	1	
41	34200-88L02	.GAUGE ASSY, 4 IN MULTI	1	
42	34922-88L01	.UNIT, INTERFACE	1	
43	36663-88L00	.HARNESS ASSY, NETWORK POWER	1	
44	36665-88L00	.UNIT, RESISTOR FEMALE	1	
45	36665-88L10	.UNIT, RESISTOR MALE	1	
46	34011-88L12	KIT, 2 IN MULTI GAUGE	1	
47	34800-88L01	.GAUGE ASSY, 2 IN MULTI	1	
48	34922-88L01	.UNIT, INTERFACE	1	
49	36662-88L00	.WIRE, 25 EXTENSION	1	
50	36663-88L00	.HARNESS ASSY, NETWORK POWER	1	
51	36665-88L00	.UNIT, RESISTOR FEMALE	1	
52	36665-88L10	.UNIT, RESISTOR MALE	1	
53	36668-88L00	.WIRE COMP,ADAPTER TO DIAGNS	1	
54	36664-87L00	ADAPTER, GAUGE FOR DUAL STATION	1	
55	36665-87L00	ADAPTER, GAUGE FOR MULT	1	

FIG.441

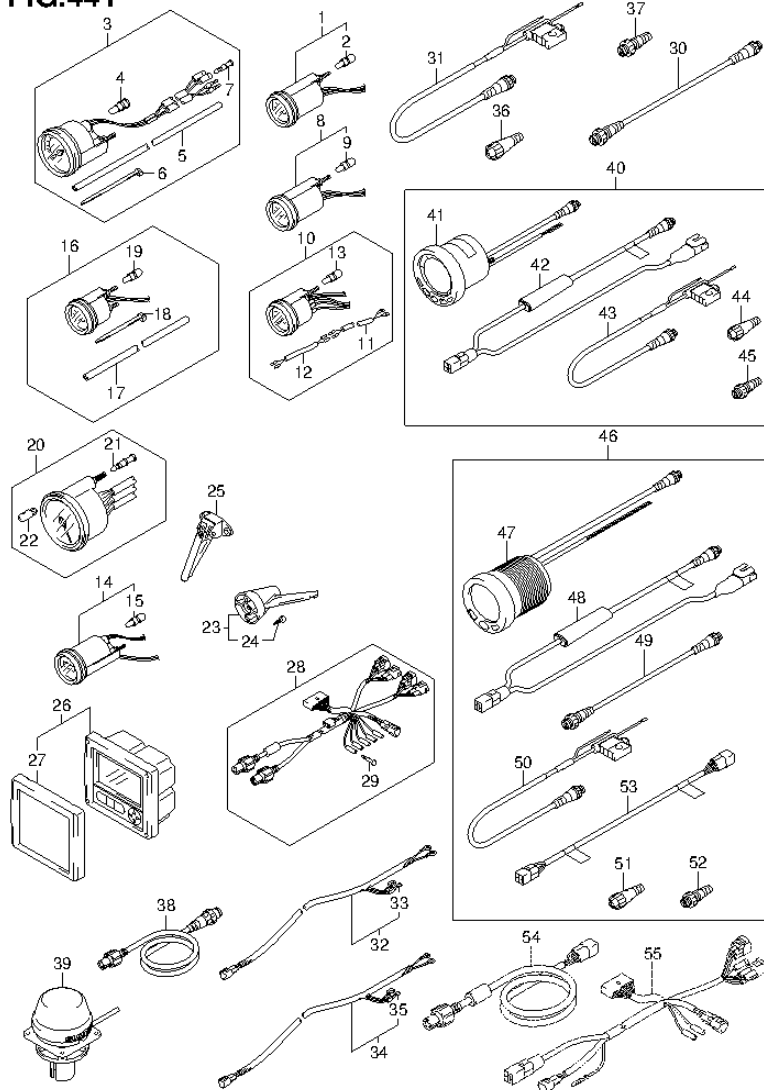


FIG.441 (4-G-2) OPT:METER (DF60ATH E40)

REF NO.	PART NO.	DESCRIPTION	Q'TY	REMARKS
1-1	34800-93J00	METER ASSY, TRIM	1	BLACK
1-2	34800-93J11	METER ASSY, TRIM	1	WHITE
2	09471-12103	.BULB (12V,3W,T6.5)	1	
3-1	34100-93J00	SPEEDOMETER ASSY	1	MAX 130KM/H BLACK
3-2	34100-93J11	SPEEDOMETER ASSY	1	MAX 130KM/H WHITE
3-3	34100-93J20	SPEEDOMETER ASSY	1	MAX 80KM/H BLACK
3-4	34100-93J31	SPEEDOMETER ASSY	1	MAX 80KM/H WHITE
3-5	34100-93J40	SPEEDOMETER ASSY	1	MAX 45KNOTS BLACK
3-6	34100-93J51	SPEEDOMETER ASSY	1	MAX 45KNOTS WHITE
3-7	34100-93J60	SPEEDOMETER ASSY	1	MAX 65KNOTS WHITE
4	09471-12028	.BULB (12V,3.4W)	1	
5	34191-92E00	.TUBE	1	
6	09407-14407	.CLAMP (L:145)	2	
7	36615-96300	.TERMINAL, RESIN	2	
8-1	34600-93J00	METER ASSY, VOLTAGE	1	BLACK
8-2	34600-93J11	METER ASSY, VOLTAGE	1	WHITE
9	09471-12103	.BULB (12V,3W,T6.5)	1	
10-1	34300-93J00	GAUGE ASSY, FUEL	1	BLACK
10-2	34300-93J11	GAUGE ASSY, FUEL	1	WHITE
11	34310-92E00	.LEAD, FUEL GAUGE	1	
12	34360-92E00	.ADAPTER, FUEL GAUGE	1	
13	09471-12103	.BULB (12V,3W,T6.5)	1	
14-1	34500-93J00	METER ASSY, HOUR	1	BLACK
14-2	34500-93J11	METER ASSY, HOUR	1	WHITE
15	09471-12103	.BULB (12V,3W,T6.5)	1	
16-1	34650-93J20	GAUGE ASSY, WATER PRESSURE	1	15PSI BLACK
16-2	34650-93J31	GAUGE ASSY, WATER PRESSURE	1	15PSI WHITE
17	34191-92E00	.TUBE	1	
18	09407-14407	.CLAMP (L:145)	2	
19	09471-12103	.BULB (12V,3W,T6.5)	1	
20-1	34200-93J00	TACHOMETER ASSY, WITH MONITOR	1	BLACK
20-2	34200-93J11	TACHOMETER ASSY, WITH MONITOR	1	WHITE
21	36615-96300	.TERMINAL, RESIN	4	
22	09471-12077	.BULB (12V,1.7W)	1	

FIG.441

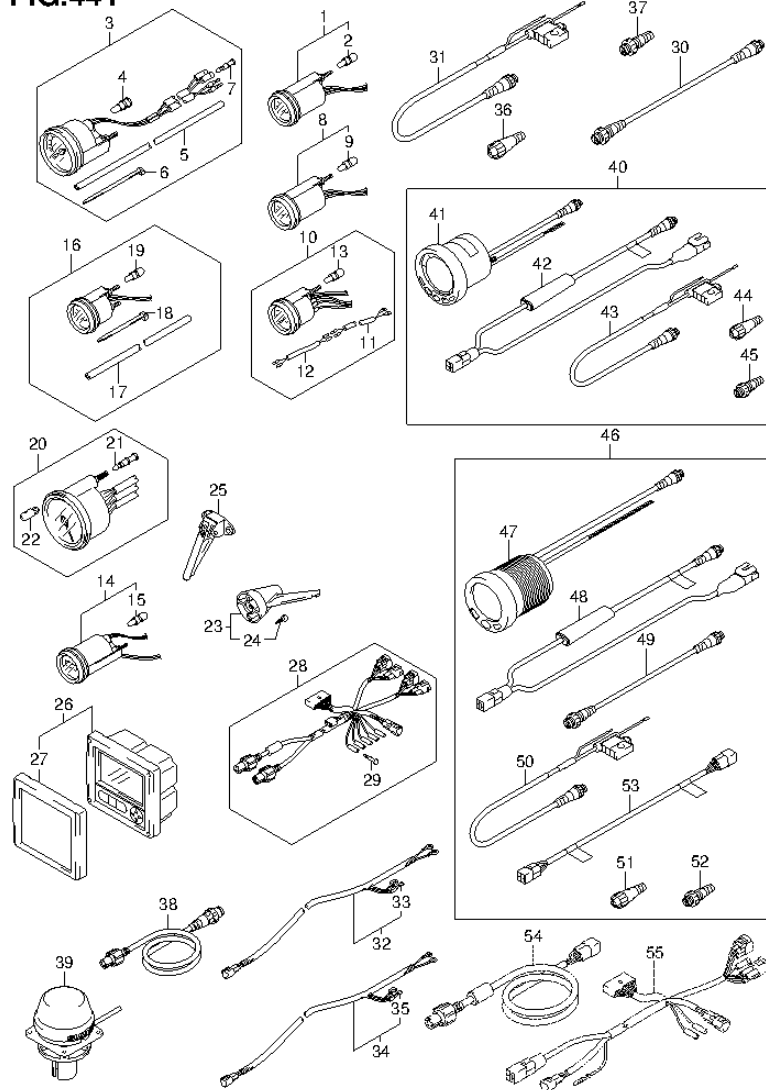


FIG.441 (4-G-3) OPT:METER (DF60ATH E40)

REF NO.	PART NO.	DESCRIPTION	Q'TY	REMARKS
23	34190-95500	SENDER ASSY, SPEEDOMETER	1	
24	03112-06303	.SCREW	2	
25	34190-87D00	SENDER, SPEEDOMETER	1	
26	34200-87L12	GAUGE ASSY, MULTI	1	
27	34211-87L00	.COVER, FRONT	1	
28	36661-87L00	ADAPTER, GAUGE	1	
29	36615-96300	.TERMINAL, RESIN	5	
30	36662-88L00	WIRE, EXTENSION	1	
31	36663-88L00	HARNESS ASSY, NETWORK POWER	1	
32	36663-98J00	WIRE, GAUGE POWER (2.5M)	1	
33	09481-05501	.FUSE (5A)	1	
34	36663-98J10	WIRE, GAUGE POWER (6.0M)	1	
35	09481-05501	.FUSE (5A)	1	
36	36665-88L00	UNIT, RESISTOR FEMALE	1	
37	36665-88L10	UNIT, RESISTOR MALE	1	
38	36666-87L00	WIRE, NETWORK	1	
39	39950-87L00	MODULE ASSY, GPS RECEIVER	1	
40	34011-88L02	KIT, 4 IN MULTI GAUGE	1	
41	34200-88L02	.GAUGE ASSY, 4 IN MULTI	1	
42	34922-88L01	.UNIT, INTERFACE	1	
43	36663-88L00	.HARNESS ASSY, NETWORK POWER	1	
44	36665-88L00	.UNIT, RESISTOR FEMALE	1	
45	36665-88L10	.UNIT, RESISTOR MALE	1	
46	34011-88L12	KIT, 2 IN MULTI GAUGE	1	
47	34800-88L01	.GAUGE ASSY, 2 IN MULTI	1	
48	34922-88L01	.UNIT, INTERFACE	1	
49	36662-88L00	.WIRE, 25 EXTENSION	1	
50	36663-88L00	.HARNESS ASSY, NETWORK POWER	1	
51	36665-88L00	.UNIT, RESISTOR FEMALE	1	
52	36665-88L10	.UNIT, RESISTOR MALE	1	
53	36668-88L00	.WIRE COMP,ADAPTER TO DIAGNS	1	
54	36664-87L00	ADAPTER, GAUGE FOR DUAL STATION	1	
55	36665-87L00	ADAPTER, GAUGE FOR MULT	1	

FIG.442

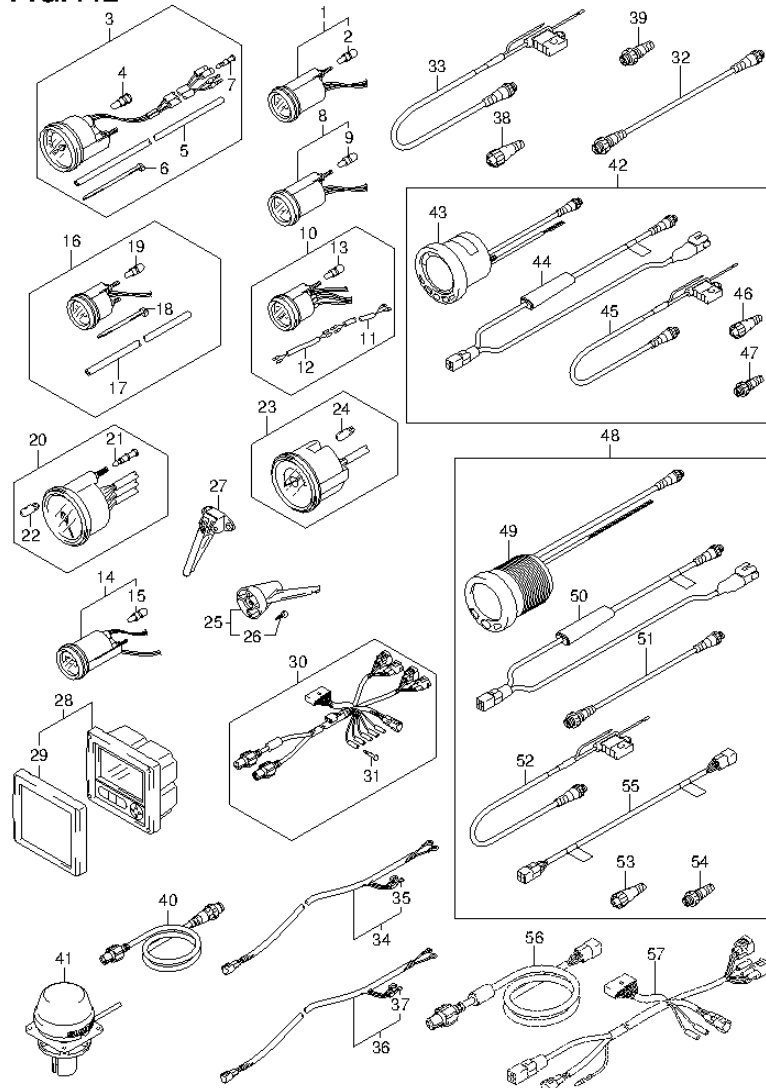


FIG.442 (4-G-4) OPT:METER (DF50AVT E01)

REF NO.	PART NO.	DESCRIPTION	Q'TY	REMARKS
1-1	34800-93J00	METER ASSY, TRIM	1	BLACK
1-2	34800-93J11	METER ASSY, TRIM	1	WHITE
2	09471-12103	.BULB (12V,3W,T6.5)	1	
3-1	34100-93J00	SPEEDOMETER ASSY	1	MAX 130KM/H BLACK
3-2	34100-93J11	SPEEDOMETER ASSY	1	MAX 130KM/H WHITE
3-3	34100-93J20	SPEEDOMETER ASSY	1	MAX 80KM/H BLACK
3-4	34100-93J31	SPEEDOMETER ASSY	1	MAX 80KM/H WHITE
3-5	34100-93J40	SPEEDOMETER ASSY	1	MAX 45KNOTS BLACK
3-6	34100-93J51	SPEEDOMETER ASSY	1	MAX 45KNOTS WHITE
3-7	34100-93J60	SPEEDOMETER ASSY	1	MAX 65KNOTS WHITE
4	09471-12028	.BULB (12V,3.4W)	1	
5	34191-92E00	.TUBE	1	
6	09407-14407	.CLAMP (L:145)	2	
7	36615-96300	.TERMINAL, RESIN	2	
8-1	34600-93J00	METER ASSY, VOLTAGE	1	BLACK
8-2	34600-93J11	METER ASSY, VOLTAGE	1	WHITE
9	09471-12103	.BULB (12V,3W,T6.5)	1	
10-1	34300-93J00	GAUGE ASSY, FUEL	1	BLACK
10-2	34300-93J11	GAUGE ASSY, FUEL	1	WHITE
11	34310-92E00	.LEAD, FUEL GAUGE	1	
12	34360-92E00	.ADAPTER, FUEL GAUGE	1	
13	09471-12103	.BULB (12V,3W,T6.5)	1	
14-1	34500-93J00	METER ASSY, HOUR	1	BLACK
14-2	34500-93J11	METER ASSY, HOUR	1	WHITE
15	09471-12103	.BULB (12V,3W,T6.5)	1	
16-1	34650-93J20	GAUGE ASSY, WATER PRESSURE	1	15PSI BLACK
16-2	34650-93J31	GAUGE ASSY, WATER PRESSURE	1	15PSI WHITE
17	34191-92E00	.TUBE	1	
18	09407-14407	.CLAMP (L:145)	2	
19	09471-12103	.BULB (12V,3W,T6.5)	1	
20-1	34200-93J00	TACHOMETER ASSY, WITH MONITOR	1	BLACK
20-2	34200-93J11	TACHOMETER ASSY, WITH MONITOR	1	WHITE
21	36615-96300	.TERMINAL, RESIN	4	
22	09471-12077	.BULB (12V,1.7W)	1	

FIG.442

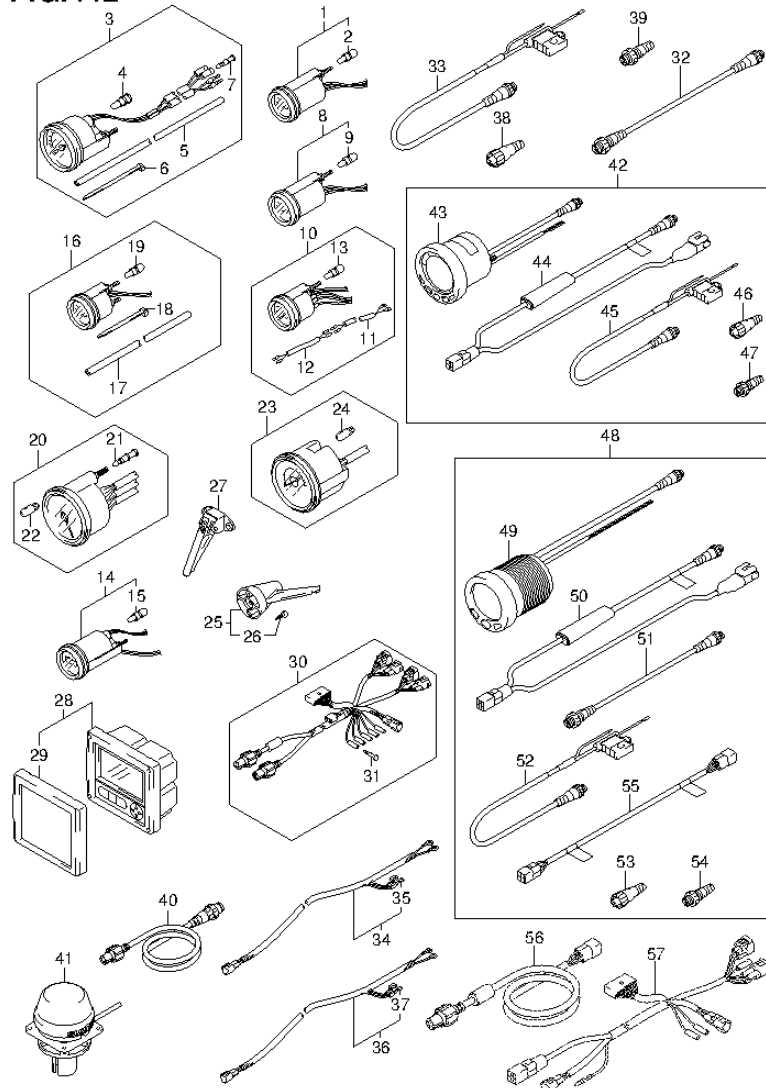


FIG.442 (4-G-5) OPT:METER (DF50AVT E01)

REF NO.	PART NO.	DESCRIPTION	Q'TY	REMARKS
23-1	34200-93J40	TACHOMETER ASSY, WITH MONITOR	1	BLACK
23-2	34200-93J50	TACHOMETER ASSY, WITH MONITOR	1	WHITE
24	09471-12077	.BULB (12V,1.7W)	1	
25	34190-95500	SENDER ASSY, SPEEDOMETER	1	
26	03112-06303	.SCREW	2	
27	34190-87D00	SENDER, SPEEDOMETER	1	
28	34200-87L12	GAUGE ASSY, MULTI	1	
29	34211-87L00	.COVER, FRONT	1	
30	36661-87L00	ADAPTER, GAUGE	1	
31	36615-96300	.TERMINAL, RESIN	5	
32	36662-88L00	WIRE, EXTENSION	1	
33	36663-88L00	HARNESS ASSY, NETWORK POWER	1	
34	36663-98J00	WIRE, GAUGE POWER	1	
35	09481-05501	.FUSE (5A)	1	
36	36663-98J10	WIRE, GAUGE POWER	1	
37	09481-05501	.FUSE (5A)	1	
38	36665-88L00	UNIT, RESISTOR FEMALE	1	
39	36665-88L10	UNIT, RESISTOR MALE	1	
40	36666-87L00	WIRE, NETWORK	1	
41	39950-87L00	MODULE ASSY, GPS RECEIVER	1	
42	34011-88L02	KIT, 4 IN MULTI GAUGE	1	
43	34200-88L02	.GAUGE ASSY, 4 IN MULTI	1	
44	34922-88L01	.UNIT, INTERFACE	1	
45	36663-88L00	.HARNESS ASSY, NETWORK POWER	1	
46	36665-88L00	.UNIT, RESISTOR FEMALE	1	
47	36665-88L10	.UNIT, RESISTOR MALE	1	
48	34011-88L12	KIT, 2 IN MULTI GAUGE	1	
49	34800-88L01	.GAUGE ASSY, 2 IN MULTI	1	
50	34922-88L01	.UNIT, INTERFACE	1	
51	36662-88L00	.WIRE, 25 EXTENSION	1	
52	36663-88L00	.HARNESS ASSY, NETWORK POWER	1	
53	36665-88L00	.UNIT, RESISTOR FEMALE	1	
54	36665-88L10	.UNIT, RESISTOR MALE	1	
55	36668-88L00	.WIRE COMP,ADAPTER TO DIAGNS	1	

FIG.442

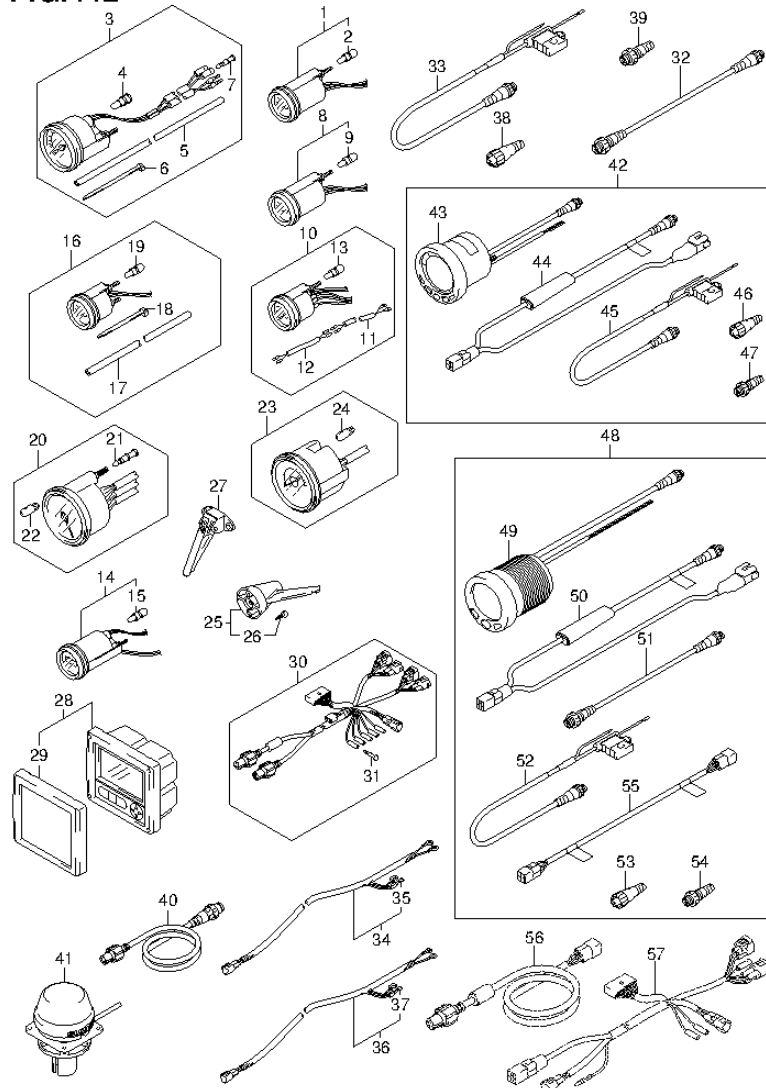


FIG.442 (4-G-6) OPT:METER (DF50AVT E01)

REF NO.	PART NO.	DESCRIPTION	Q'TY	REMARKS
56	36664-87L00	ADAPTER, GAUGE FOR DUAL STATION	1	
57	36665-87L00	ADAPTER, GAUGE FOR MULT	1	

FIG.443

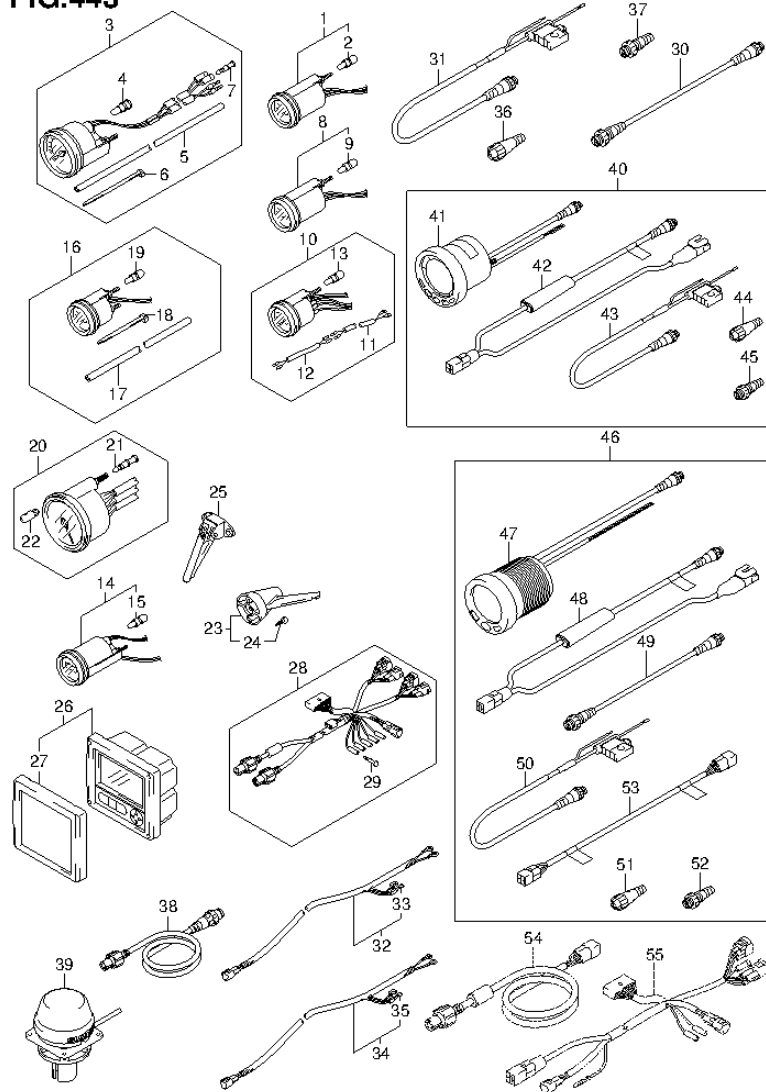


FIG.443 (4-G-7) OPT:METER (DF50AVTH E01)

REF NO.	PART NO.	DESCRIPTION	Q'TY	REMARKS
1-1	34800-93J00	METER ASSY, TRIM	1	BLACK
1-2	34800-93J11	METER ASSY, TRIM	1	WHITE
2	09471-12103	.BULB (12V,3W,T6.5)	1	
3-1	34100-93J00	SPEEDOMETER ASSY	1	MAX 130KM/H BLACK
3-2	34100-93J11	SPEEDOMETER ASSY	1	MAX 130KM/H WHITE
3-3	34100-93J20	SPEEDOMETER ASSY	1	MAX 80KM/H BLACK
3-4	34100-93J31	SPEEDOMETER ASSY	1	MAX 80KM/H WHITE
3-5	34100-93J40	SPEEDOMETER ASSY	1	MAX 45KNOTS BLACK
3-6	34100-93J51	SPEEDOMETER ASSY	1	MAX 45KNOTS WHITE
3-7	34100-93J60	SPEEDOMETER ASSY	1	MAX 65KNOTS WHITE
4	09471-12028	.BULB (12V,3.4W)	1	
5	34191-92E00	.TUBE	1	
6	09407-14407	.CLAMP (L:145)	2	
7	36615-96300	.TERMINAL, RESIN	2	
8-1	34600-93J00	METER ASSY, VOLTAGE	1	BLACK
8-2	34600-93J11	METER ASSY, VOLTAGE	1	WHITE
9	09471-12103	.BULB (12V,3W,T6.5)	1	
10-1	34300-93J00	GAUGE ASSY, FUEL	1	BLACK
10-2	34300-93J11	GAUGE ASSY, FUEL	1	WHITE
11	34310-92E00	.LEAD, FUEL GAUGE	1	
12	34360-92E00	.ADAPTER, FUEL GAUGE	1	
13	09471-12103	.BULB (12V,3W,T6.5)	1	
14-1	34500-93J00	METER ASSY, HOUR	1	BLACK
14-2	34500-93J11	METER ASSY, HOUR	1	WHITE
15	09471-12103	.BULB (12V,3W,T6.5)	1	
16-1	34650-93J20	GAUGE ASSY, WATER PRESSURE	1	15PSI BLACK
16-2	34650-93J31	GAUGE ASSY, WATER PRESSURE	1	15PSI WHITE
17	34191-92E00	.TUBE	1	
18	09407-14407	.CLAMP (L:145)	2	
19	09471-12103	.BULB (12V,3W,T6.5)	1	
20-1	34200-93J00	TACHOMETER ASSY, WITH MONITOR	1	BLACK
20-2	34200-93J11	TACHOMETER ASSY, WITH MONITOR	1	WHITE
21	36615-96300	.TERMINAL, RESIN	4	
22	09471-12077	.BULB (12V,1.7W)	1	

FIG.443

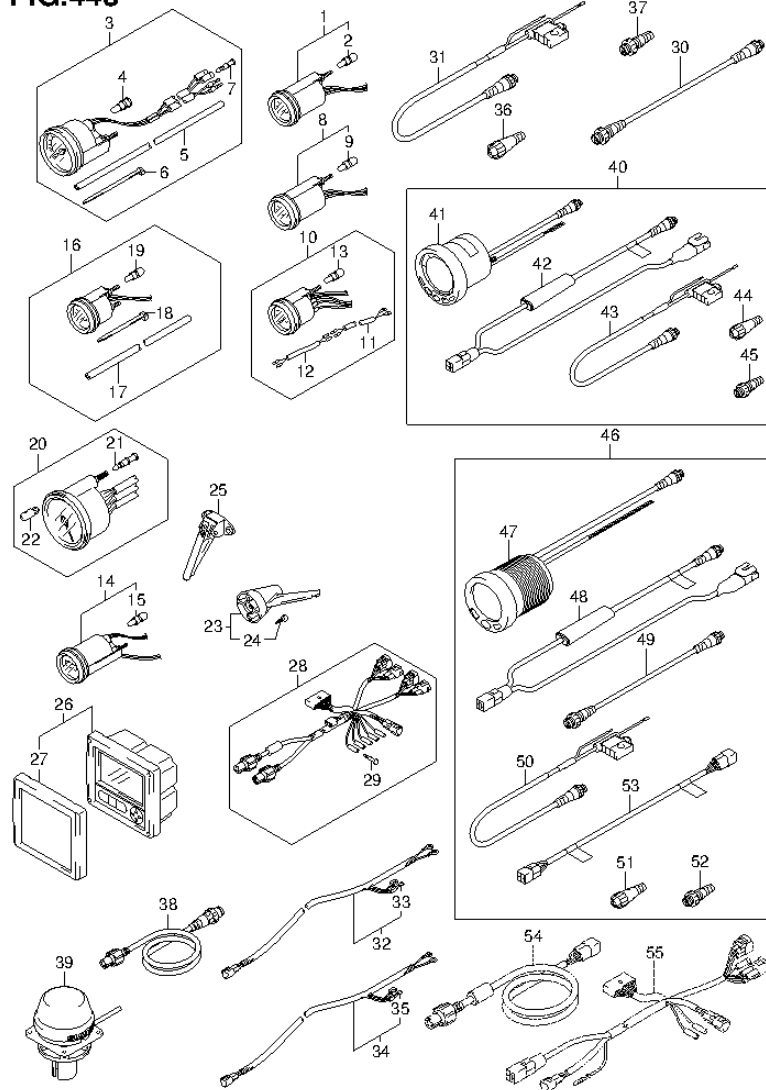


FIG.443 (4-G-8) OPT:METER (DF50AVTH E01)

REF NO.	PART NO.	DESCRIPTION	Q'TY	REMARKS
23	34190-95500	SENDER ASSY, SPEEDOMETER	1	
24	03112-06303	.SCREW	2	
25	34190-87D00	SENDER, SPEEDOMETER	1	
26	34200-87L12	GAUGE ASSY, MULTI	1	
27	34211-87L00	.COVER, FRONT	1	
28	36661-87L00	ADAPTER, GAUGE	1	
29	36615-96300	.TERMINAL, RESIN	5	
30	36662-88L00	WIRE, EXTENSION	1	
31	36663-88L00	HARNESS ASSY, NETWORK POWER	1	
32	36663-98J00	WIRE, GAUGE POWER (2.5M)	1	
33	09481-05501	.FUSE (5A)	1	
34	36663-98J10	WIRE, GAUGE POWER (6.0M)	1	
35	09481-05501	.FUSE (5A)	1	
36	36665-88L00	UNIT, RESISTOR FEMALE	1	
37	36665-88L10	UNIT, RESISTOR MALE	1	
38	36666-87L00	WIRE, NETWORK	1	
39	39950-87L00	MODULE ASSY, GPS RECEIVER	1	
40	34011-88L02	KIT, 4 IN MULTI GAUGE	1	
41	34200-88L02	.GAUGE ASSY, 4 IN MULTI	1	
42	34922-88L01	.UNIT, INTERFACE	1	
43	36663-88L00	.HARNESS ASSY, NETWORK POWER	1	
44	36665-88L00	.UNIT, RESISTOR FEMALE	1	
45	36665-88L10	.UNIT, RESISTOR MALE	1	
46	34011-88L12	KIT, 2 IN MULTI GAUGE	1	
47	34800-88L01	.GAUGE ASSY, 2 IN MULTI	1	
48	34922-88L01	.UNIT, INTERFACE	1	
49	36662-88L00	.WIRE, 25 EXTENSION	1	
50	36663-88L00	.HARNESS ASSY, NETWORK POWER	1	
51	36665-88L00	.UNIT, RESISTOR FEMALE	1	
52	36665-88L10	.UNIT, RESISTOR MALE	1	
53	36668-88L00	.WIRE COMP,ADAPTER TO DIAGNS	1	
54	36664-87L00	ADAPTER, GAUGE FOR DUAL STATION	1	
55	36665-87L00	ADAPTER, GAUGE FOR MULT	1	

FIG.444

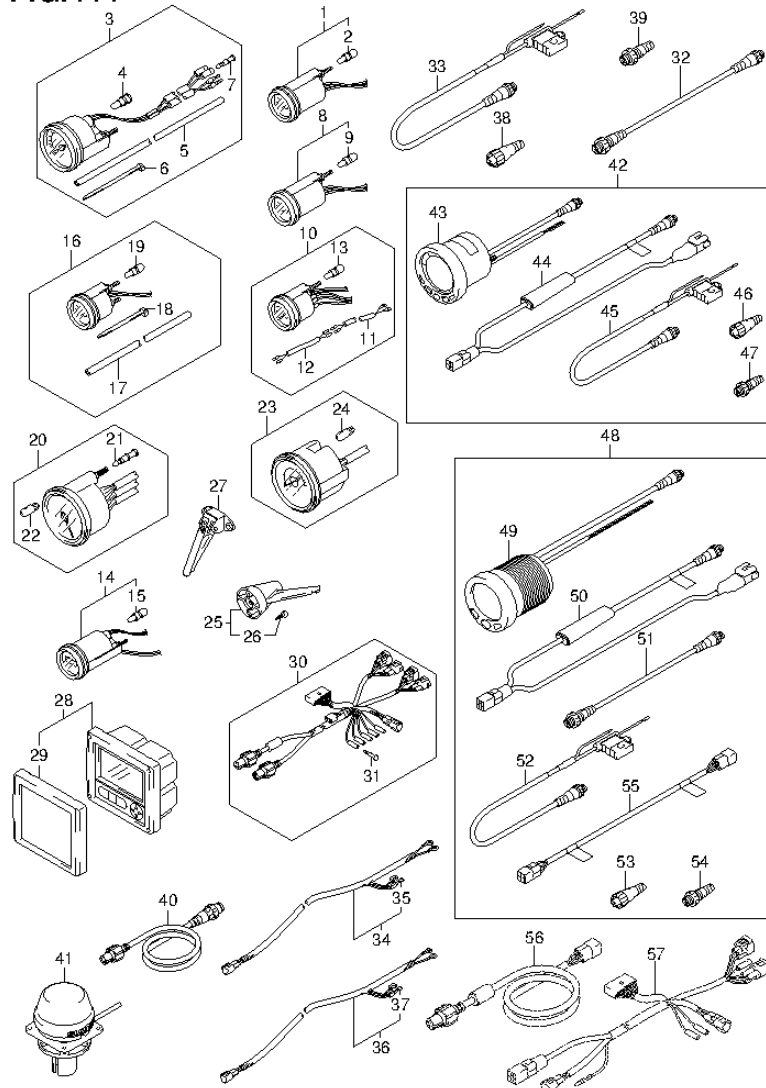


FIG.444 (4-G-9) OPT:METER (DF60AVT E01)

REF NO.	PART NO.	DESCRIPTION	Q'TY	REMARKS
1-1	34800-93J00	METER ASSY, TRIM	1	BLACK
1-2	34800-93J11	METER ASSY, TRIM	1	WHITE
2	09471-12103	.BULB (12V,3W,T6.5)	1	
3-1	34100-93J00	SPEEDOMETER ASSY	1	MAX 130KM/H BLACK
3-2	34100-93J11	SPEEDOMETER ASSY	1	MAX 130KM/H WHITE
3-3	34100-93J20	SPEEDOMETER ASSY	1	MAX 80KM/H BLACK
3-4	34100-93J31	SPEEDOMETER ASSY	1	MAX 80KM/H WHITE
3-5	34100-93J40	SPEEDOMETER ASSY	1	MAX 45KNOTS BLACK
3-6	34100-93J51	SPEEDOMETER ASSY	1	MAX 45KNOTS WHITE
3-7	34100-93J60	SPEEDOMETER ASSY	1	MAX 65KNOTS WHITE
4	09471-12028	.BULB (12V,3.4W)	1	
5	34191-92E00	.TUBE	1	
6	09407-14407	.CLAMP (L:145)	2	
7	36615-96300	.TERMINAL, RESIN	2	
8-1	34600-93J00	METER ASSY, VOLTAGE	1	BLACK
8-2	34600-93J11	METER ASSY, VOLTAGE	1	WHITE
9	09471-12103	.BULB (12V,3W,T6.5)	1	
10-1	34300-93J00	GAUGE ASSY, FUEL	1	BLACK
10-2	34300-93J11	GAUGE ASSY, FUEL	1	WHITE
11	34310-92E00	.LEAD, FUEL GAUGE	1	
12	34360-92E00	.ADAPTER, FUEL GAUGE	1	
13	09471-12103	.BULB (12V,3W,T6.5)	1	
14-1	34500-93J00	METER ASSY, HOUR	1	BLACK
14-2	34500-93J11	METER ASSY, HOUR	1	WHITE
15	09471-12103	.BULB (12V,3W,T6.5)	1	
16-1	34650-93J20	GAUGE ASSY, WATER PRESSURE	1	15PSI BLACK
16-2	34650-93J31	GAUGE ASSY, WATER PRESSURE	1	15PSI WHITE
17	34191-92E00	.TUBE	1	
18	09407-14407	.CLAMP (L:145)	2	
19	09471-12103	.BULB (12V,3W,T6.5)	1	
20-1	34200-93J00	TACHOMETER ASSY, WITH MONITOR	1	BLACK
20-2	34200-93J11	TACHOMETER ASSY, WITH MONITOR	1	WHITE
21	36615-96300	.TERMINAL, RESIN	4	
22	09471-12077	.BULB (12V,1.7W)	1	

FIG.444

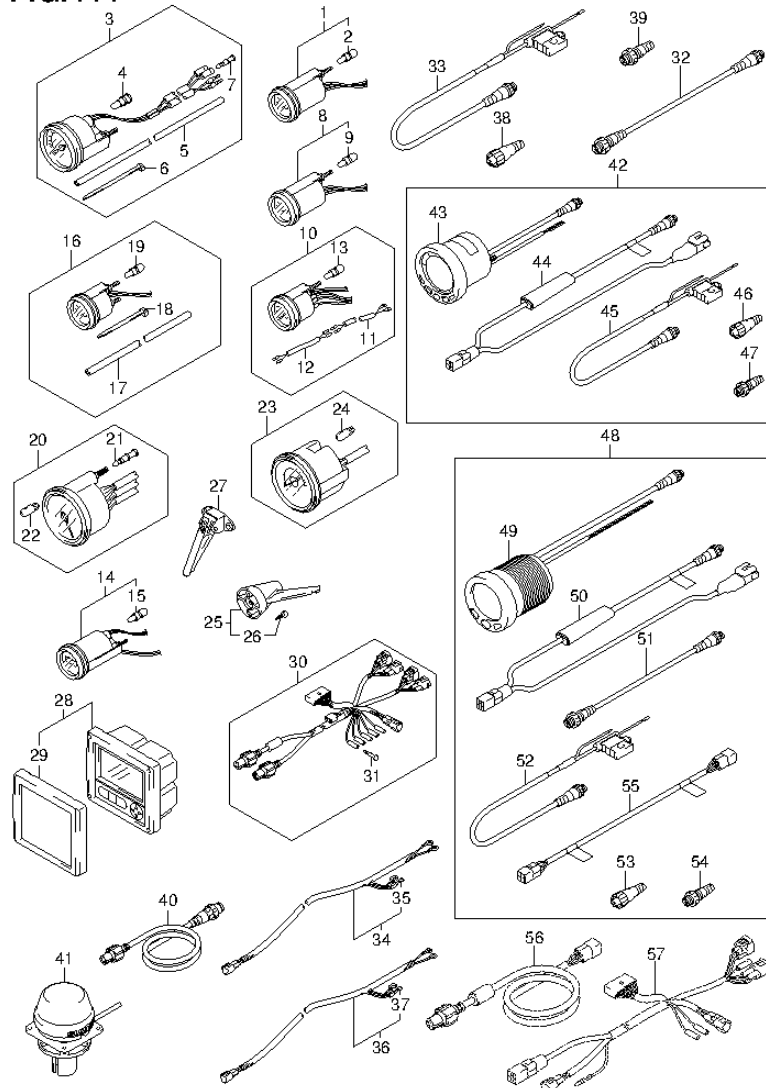


FIG.444 (4-G-10) OPT:METER (DF60AVT E01)

REF NO.	PART NO.	DESCRIPTION	Q'TY	REMARKS
23-1	34200-93J40	TACHOMETER ASSY, WITH MONITOR	1	BLACK
23-2	34200-93J50	TACHOMETER ASSY, WITH MONITOR	1	WHITE
24	09471-12077	.BULB (12V,1.7W)	1	
25	34190-95500	SENDER ASSY, SPEEDOMETER	1	
26	03112-06303	.SCREW	2	
27	34190-87D00	SENDER, SPEEDOMETER	1	
28	34200-87L12	GAUGE ASSY, MULTI	1	
29	34211-87L00	.COVER, FRONT	1	
30	36661-87L00	ADAPTER, GAUGE	1	
31	36615-96300	.TERMINAL, RESIN	5	
32	36662-88L00	WIRE, EXTENSION	1	
33	36663-88L00	HARNESS ASSY, NETWORK POWER	1	
34	36663-98J00	WIRE, GAUGE POWER	1	
35	09481-05501	.FUSE (5A)	1	
36	36663-98J10	WIRE, GAUGE POWER	1	
37	09481-05501	.FUSE (5A)	1	
38	36665-88L00	UNIT, RESISTOR FEMALE	1	
39	36665-88L10	UNIT, RESISTOR MALE	1	
40	36666-87L00	WIRE, NETWORK	1	
41	39950-87L00	MODULE ASSY, GPS RECEIVER	1	
42	34011-88L02	KIT, 4 IN MULTI GAUGE	1	
43	34200-88L02	.GAUGE ASSY, 4 IN MULTI	1	
44	34922-88L01	.UNIT, INTERFACE	1	
45	36663-88L00	.HARNESS ASSY, NETWORK POWER	1	
46	36665-88L00	.UNIT, RESISTOR FEMALE	1	
47	36665-88L10	.UNIT, RESISTOR MALE	1	
48	34011-88L12	KIT, 2 IN MULTI GAUGE	1	
49	34800-88L01	.GAUGE ASSY, 2 IN MULTI	1	
50	34922-88L01	.UNIT, INTERFACE	1	
51	36662-88L00	WIRE, 25 EXTENSION	1	
52	36663-88L00	.HARNESS ASSY, NETWORK POWER	1	
53	36665-88L00	.UNIT, RESISTOR FEMALE	1	
54	36665-88L10	.UNIT, RESISTOR MALE	1	
55	36668-88L00	.WIRE COMP,ADAPTER TO DIAGNS	1	

FIG.444

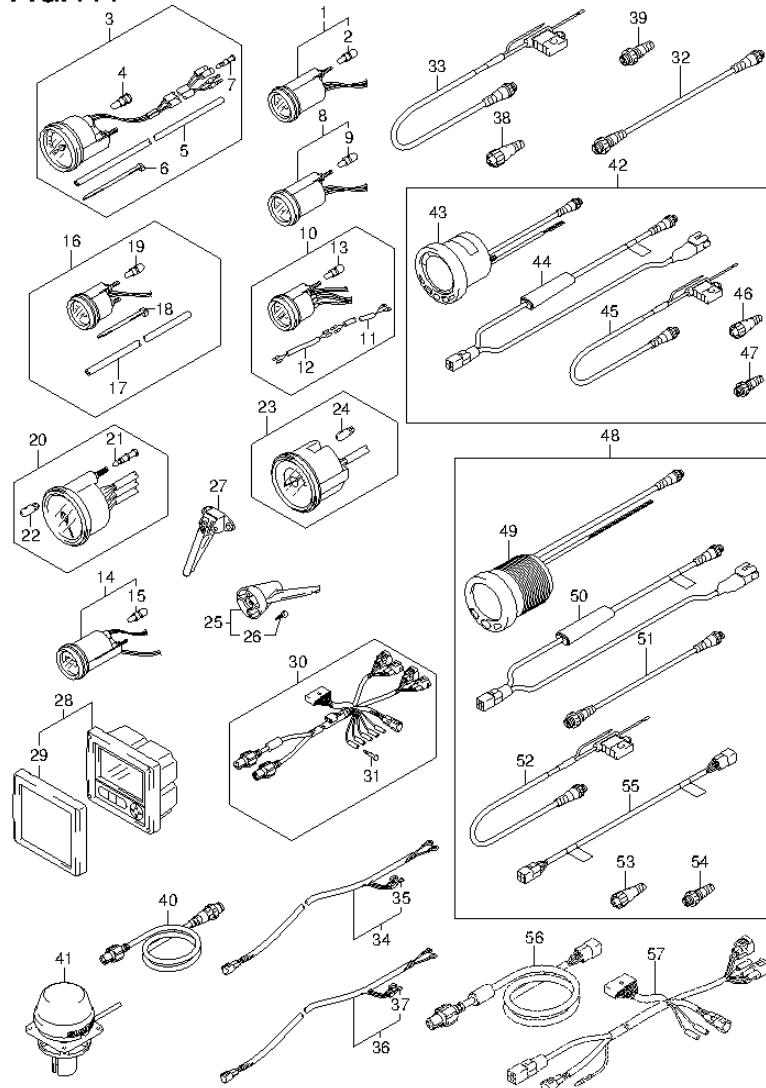


FIG.444 (4-G-11) OPT:METER (DF60AVT E01)

REF NO.	PART NO.	DESCRIPTION	Q'TY	REMARKS
56	36664-87L00	ADAPTER, GAUGE FOR DUAL STATION	1	
57	36665-87L00	ADAPTER, GAUGE FOR MULT	1	

FIG.445

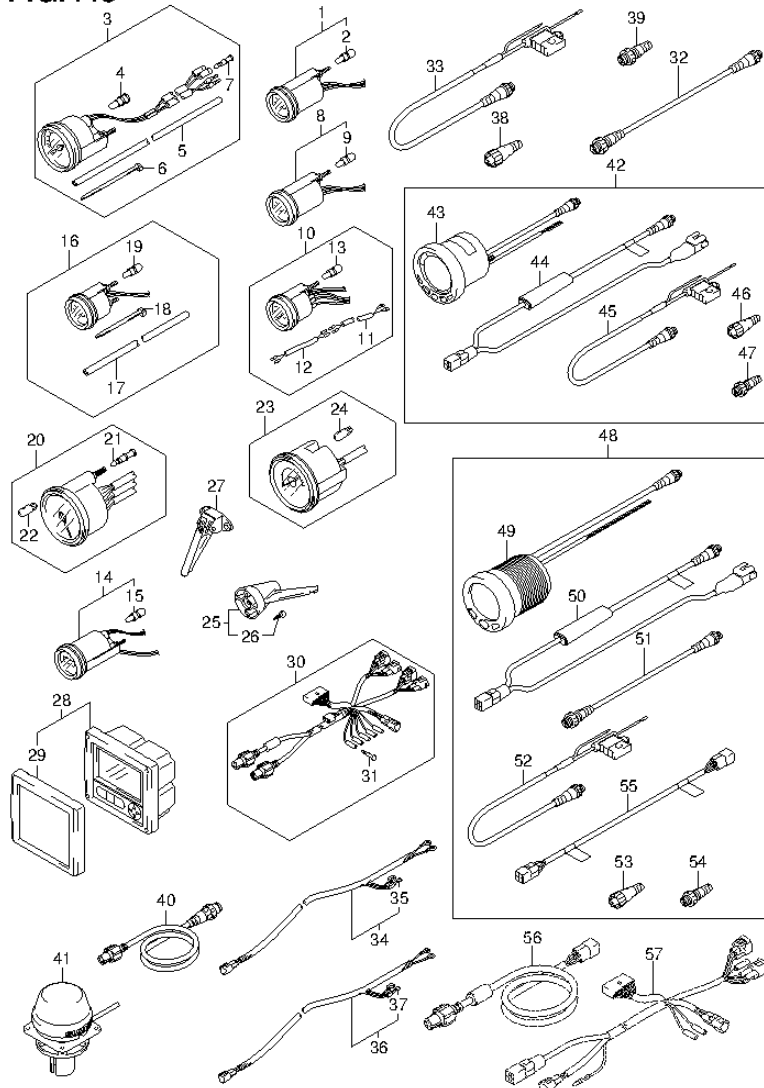


FIG.445 (4-G-12) OPT:METER (DF60AVT E40)

REF NO.	PART NO.	DESCRIPTION	Q'TY	REMARKS
1-1	34800-93J00	METER ASSY, TRIM	1	BLACK
1-2	34800-93J11	METER ASSY, TRIM	1	WHITE
2	09471-12103	.BULB (12V,3W,T6.5)	1	
3-1	34100-93J00	SPEEDOMETER ASSY	1	MAX 130KM/H BLACK
3-2	34100-93J11	SPEEDOMETER ASSY	1	MAX 130KM/H WHITE
3-3	34100-93J20	SPEEDOMETER ASSY	1	MAX 80KM/H BLACK
3-4	34100-93J31	SPEEDOMETER ASSY	1	MAX 80KM/H WHITE
3-5	34100-93J40	SPEEDOMETER ASSY	1	MAX 45KNOTS BLACK
3-6	34100-93J51	SPEEDOMETER ASSY	1	MAX 45KNOTS WHITE
3-7	34100-93J60	SPEEDOMETER ASSY	1	MAX 65KNOTS WHITE
4	09471-12028	.BULB (12V,3.4W)	1	
5	34191-92E00	.TUBE	1	
6	09407-14407	.CLAMP (L:145)	2	
7	36615-96300	.TERMINAL, RESIN	2	
8-1	34600-93J00	METER ASSY, VOLTAGE	1	BLACK
8-2	34600-93J11	METER ASSY, VOLTAGE	1	WHITE
9	09471-12103	.BULB (12V,3W,T6.5)	1	
10-1	34300-93J00	GAUGE ASSY, FUEL	1	BLACK
10-2	34300-93J11	GAUGE ASSY, FUEL	1	WHITE
11	34310-92E00	.LEAD, FUEL GAUGE	1	
12	34360-92E00	.ADAPTER, FUEL GAUGE	1	
13	09471-12103	.BULB (12V,3W,T6.5)	1	
14-1	34500-93J00	METER ASSY, HOUR	1	BLACK
14-2	34500-93J11	METER ASSY, HOUR	1	WHITE
15	09471-12103	.BULB (12V,3W,T6.5)	1	
16-1	34650-93J20	GAUGE ASSY, WATER PRESSURE	1	15PSI BLACK
16-2	34650-93J31	GAUGE ASSY, WATER PRESSURE	1	15PSI WHITE
17	34191-92E00	.TUBE	1	
18	09407-14407	.CLAMP (L:145)	2	
19	09471-12103	.BULB (12V,3W,T6.5)	1	
20-1	34200-93J00	TACHOMETER ASSY, WITH MONITOR	1	BLACK
20-2	34200-93J11	TACHOMETER ASSY, WITH MONITOR	1	WHITE
21	36615-96300	.TERMINAL, RESIN	4	
22	09471-12077	.BULB (12V,1.7W)	1	

FIG.445

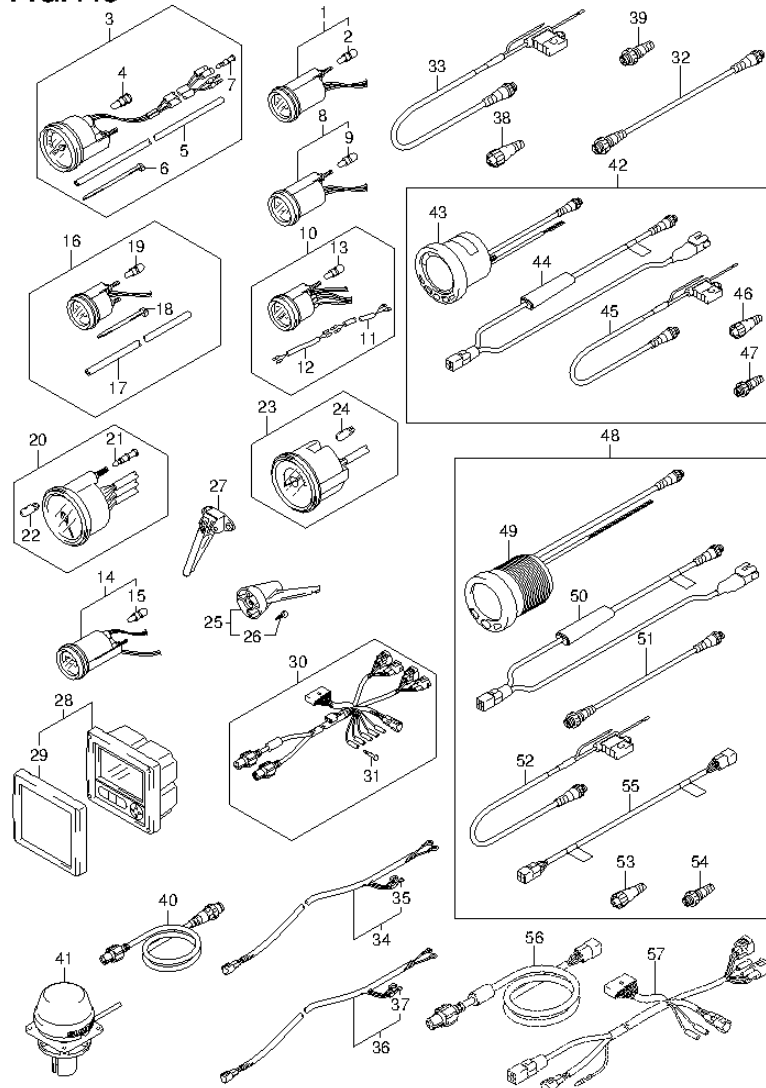


FIG.445 (4-G-13) OPT:METER (DF60AVT E40)

REF NO.	PART NO.	DESCRIPTION	Q'TY	REMARKS
23-1	34200-93J40	TACHOMETER ASSY, WITH MONITOR	1	BLACK
23-2	34200-93J50	TACHOMETER ASSY, WITH MONITOR	1	WHITE
24	09471-12077	.BULB (12V,1.7W)	1	
25	34190-95500	SENDER ASSY, SPEEDOMETER	1	
26	03112-06303	.SCREW	2	
27	34190-87D00	SENDER, SPEEDOMETER	1	
28	34200-87L12	GAUGE ASSY, MULTI	1	
29	34211-87L00	.COVER, FRONT	1	
30	36661-87L00	ADAPTER, GAUGE	1	
31	36615-96300	.TERMINAL, RESIN	5	
32	36662-88L00	WIRE, EXTENSION	1	
33	36663-88L00	HARNESS ASSY, NETWORK POWER	1	
34	36663-98J00	WIRE, GAUGE POWER	1	
35	09481-05501	.FUSE (5A)	1	
36	36663-98J10	WIRE, GAUGE POWER	1	
37	09481-05501	.FUSE (5A)	1	
38	36665-88L00	UNIT, RESISTOR FEMALE	1	
39	36665-88L10	UNIT, RESISTOR MALE	1	
40	36666-87L00	WIRE, NETWORK	1	
41	39950-87L00	MODULE ASSY, GPS RECEIVER	1	
42	34011-88L02	KIT, 4 IN MULTI GAUGE	1	
43	34200-88L02	.GAUGE ASSY, 4 IN MULTI	1	
44	34922-88L01	.UNIT, INTERFACE	1	
45	36663-88L00	.HARNESS ASSY, NETWORK POWER	1	
46	36665-88L00	.UNIT, RESISTOR FEMALE	1	
47	36665-88L10	.UNIT, RESISTOR MALE	1	
48	34011-88L12	KIT, 2 IN MULTI GAUGE	1	
49	34800-88L01	.GAUGE ASSY, 2 IN MULTI	1	
50	34922-88L01	.UNIT, INTERFACE	1	
51	36662-88L00	.WIRE, 25 EXTENSION	1	
52	36663-88L00	.HARNESS ASSY, NETWORK POWER	1	
53	36665-88L00	.UNIT, RESISTOR FEMALE	1	
54	36665-88L10	.UNIT, RESISTOR MALE	1	
55	36668-88L00	.WIRE COMP,ADAPTER TO DIAGNS	1	

FIG.445

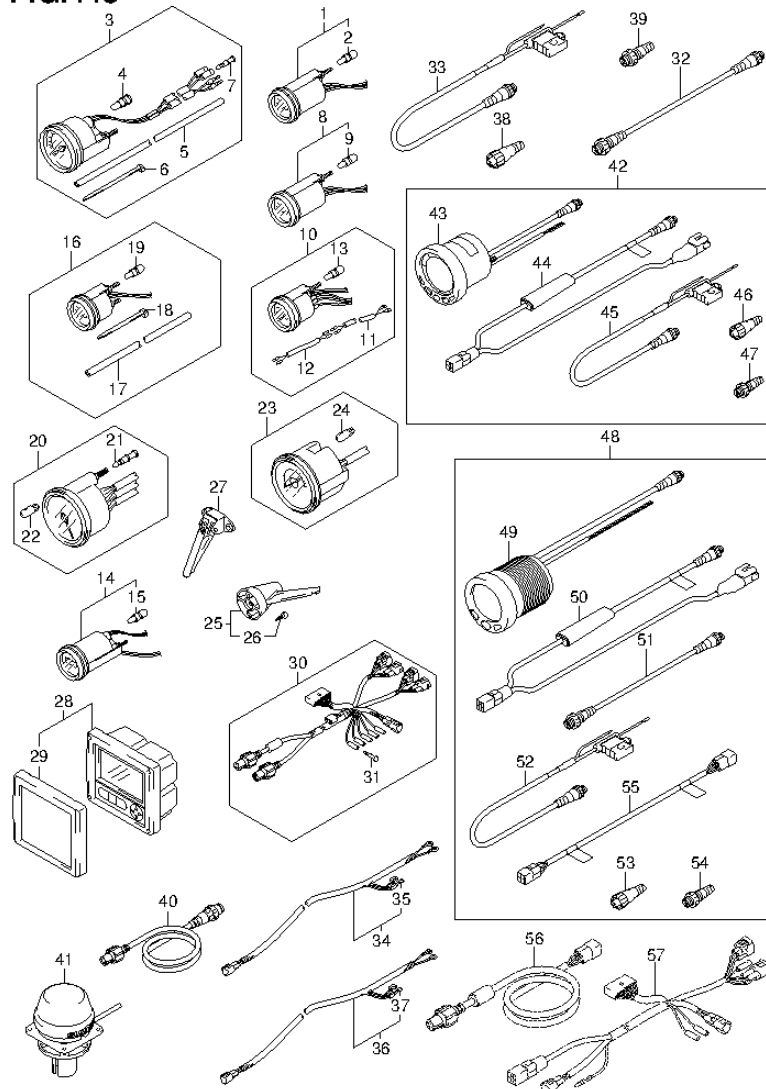


FIG.445 (4-G-14) OPT:METER (DF60AVT E40)

REF NO.	PART NO.	DESCRIPTION	Q'TY	REMARKS
56	36664-87L00	ADAPTER, GAUGE FOR DUAL STATION	1	
57	36665-87L00	ADAPTER, GAUGE FOR MULT	1	

FIG.446

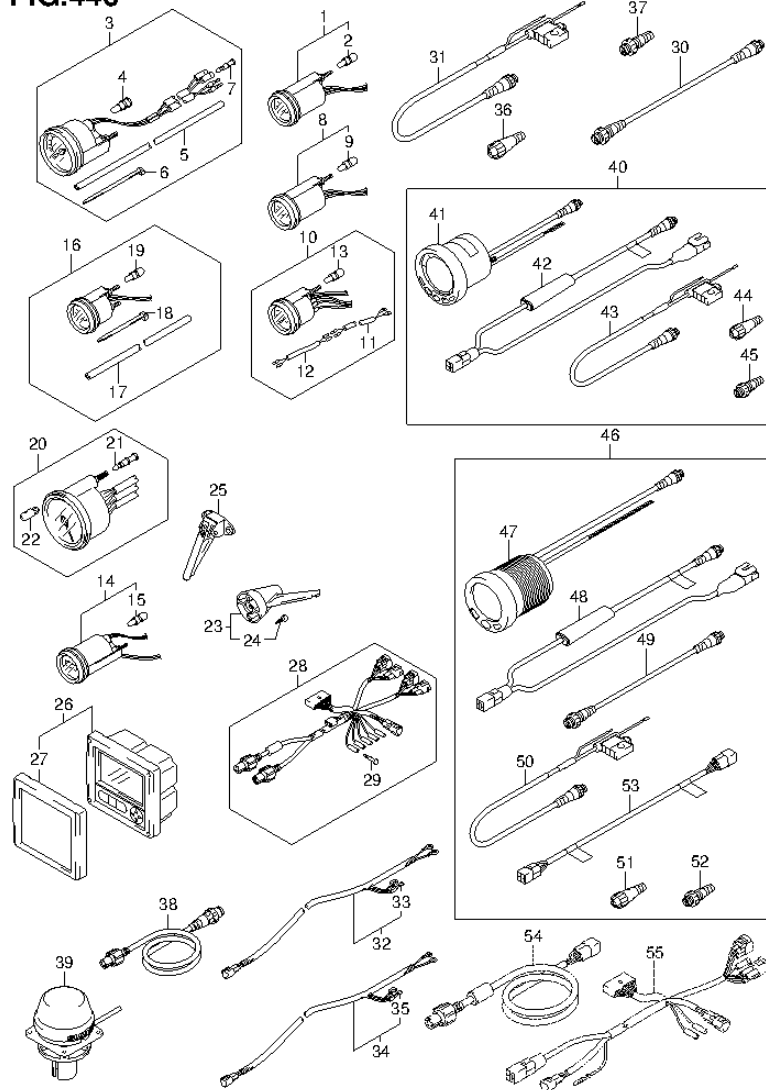


FIG.446 (4-G-15) OPT:METER (DF60AVTH E01)

REF NO.	PART NO.	DESCRIPTION	Q'TY	REMARKS
1-1	34800-93J00	METER ASSY, TRIM	1	BLACK
1-2	34800-93J11	METER ASSY, TRIM	1	WHITE
2	09471-12103	.BULB (12V,3W,T6.5)	1	
3-1	34100-93J00	SPEEDOMETER ASSY	1	MAX 130KM/H BLACK
3-2	34100-93J11	SPEEDOMETER ASSY	1	MAX 130KM/H WHITE
3-3	34100-93J20	SPEEDOMETER ASSY	1	MAX 80KM/H BLACK
3-4	34100-93J31	SPEEDOMETER ASSY	1	MAX 80KM/H WHITE
3-5	34100-93J40	SPEEDOMETER ASSY	1	MAX 45KNOTS BLACK
3-6	34100-93J51	SPEEDOMETER ASSY	1	MAX 45KNOTS WHITE
3-7	34100-93J60	SPEEDOMETER ASSY	1	MAX 65KNOTS WHITE
4	09471-12028	.BULB (12V,3.4W)	1	
5	34191-92E00	.TUBE	1	
6	09407-14407	.CLAMP (L:145)	2	
7	36615-96300	.TERMINAL, RESIN	2	
8-1	34600-93J00	METER ASSY, VOLTAGE	1	BLACK
8-2	34600-93J11	METER ASSY, VOLTAGE	1	WHITE
9	09471-12103	.BULB (12V,3W,T6.5)	1	
10-1	34300-93J00	GAUGE ASSY, FUEL	1	BLACK
10-2	34300-93J11	GAUGE ASSY, FUEL	1	WHITE
11	34310-92E00	.LEAD, FUEL GAUGE	1	
12	34360-92E00	.ADAPTER, FUEL GAUGE	1	
13	09471-12103	.BULB (12V,3W,T6.5)	1	
14-1	34500-93J00	METER ASSY, HOUR	1	BLACK
14-2	34500-93J11	METER ASSY, HOUR	1	WHITE
15	09471-12103	.BULB (12V,3W,T6.5)	1	
16-1	34650-93J20	GAUGE ASSY, WATER PRESSURE	1	15PSI BLACK
16-2	34650-93J31	GAUGE ASSY, WATER PRESSURE	1	15PSI WHITE
17	34191-92E00	.TUBE	1	
18	09407-14407	.CLAMP (L:145)	2	
19	09471-12103	.BULB (12V,3W,T6.5)	1	
20-1	34200-93J00	TACHOMETER ASSY, WITH MONITOR	1	BLACK
20-2	34200-93J11	TACHOMETER ASSY, WITH MONITOR	1	WHITE
21	36615-96300	.TERMINAL, RESIN	4	
22	09471-12077	.BULB (12V,1.7W)	1	

FIG.446

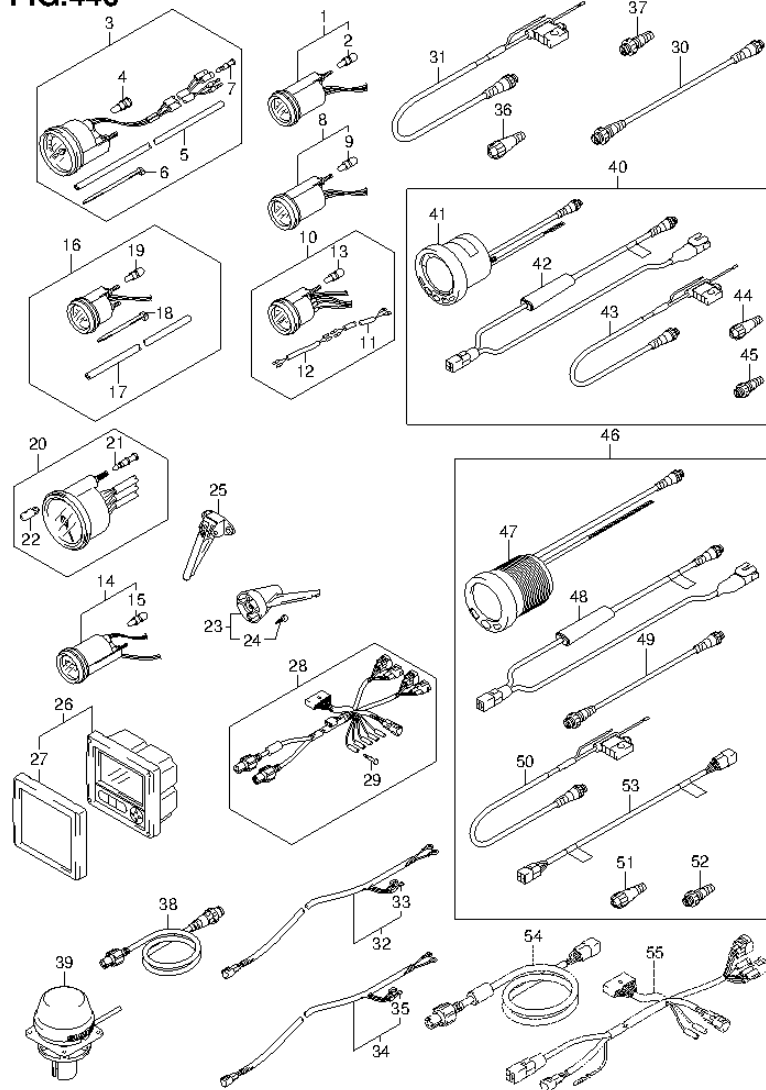


FIG.446 (4-H-2) OPT:METER (DF60AVTH E01)

REF NO.	PART NO.	DESCRIPTION	Q'TY	REMARKS
23	34190-95500	SENDER ASSY, SPEEDOMETER	1	
24	03112-06303	.SCREW	2	
25	34190-87D00	SENDER, SPEEDOMETER	1	
26	34200-87L12	GAUGE ASSY, MULTI	1	
27	34211-87L00	.COVER, FRONT	1	
28	36661-87L00	ADAPTER, GAUGE	1	
29	36615-96300	.TERMINAL, RESIN	5	
30	36662-88L00	WIRE, EXTENSION	1	
31	36663-88L00	HARNESS ASSY, NETWORK POWER	1	
32	36663-98J00	WIRE, GAUGE POWER (2.5M)	1	
33	09481-05501	.FUSE (5A)	1	
34	36663-98J10	WIRE, GAUGE POWER (6.0M)	1	
35	09481-05501	.FUSE (5A)	1	
36	36665-88L00	UNIT, RESISTOR FEMALE	1	
37	36665-88L10	UNIT, RESISTOR MALE	1	
38	36666-87L00	WIRE, NETWORK	1	
39	39950-87L00	MODULE ASSY, GPS RECEIVER	1	
40	34011-88L02	KIT, 4 IN MULTI GAUGE	1	
41	34200-88L02	.GAUGE ASSY, 4 IN MULTI	1	
42	34922-88L01	.UNIT, INTERFACE	1	
43	36663-88L00	.HARNESS ASSY, NETWORK POWER	1	
44	36665-88L00	.UNIT, RESISTOR FEMALE	1	
45	36665-88L10	.UNIT, RESISTOR MALE	1	
46	34011-88L12	KIT, 2 IN MULTI GAUGE	1	
47	34800-88L01	.GAUGE ASSY, 2 IN MULTI	1	
48	34922-88L01	.UNIT, INTERFACE	1	
49	36662-88L00	.WIRE, 25 EXTENSION	1	
50	36663-88L00	.HARNESS ASSY, NETWORK POWER	1	
51	36665-88L00	.UNIT, RESISTOR FEMALE	1	
52	36665-88L10	.UNIT, RESISTOR MALE	1	
53	36668-88L00	.WIRE COMP,ADAPTER TO DIAGNS	1	
54	36664-87L00	ADAPTER, GAUGE FOR DUAL STATION	1	
55	36665-87L00	ADAPTER, GAUGE FOR MULT	1	

FIG.447

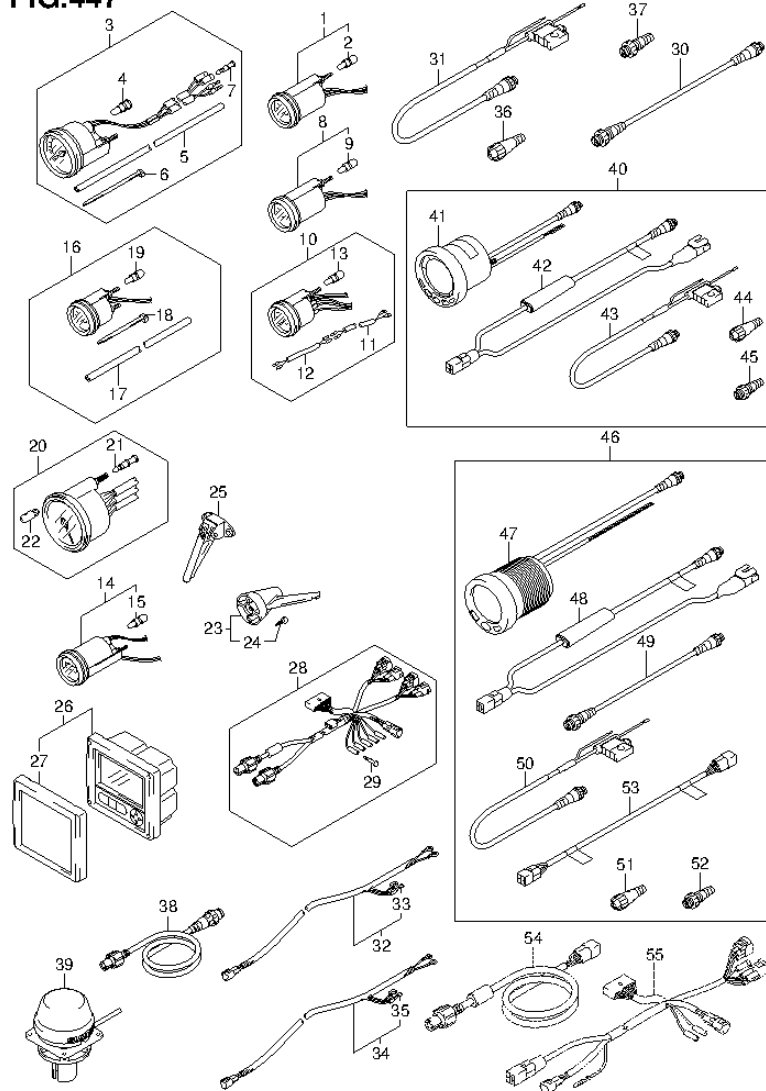


FIG.447 (4-H-3) OPT:METER (DF60AVTH E40)

REF NO.	PART NO.	DESCRIPTION	Q'TY	REMARKS
1-1	34800-93J00	METER ASSY, TRIM	1	BLACK
1-2	34800-93J11	METER ASSY, TRIM	1	WHITE
2	09471-12103	.BULB (12V,3W,T6.5)	1	
3-1	34100-93J00	SPEEDOMETER ASSY	1	MAX 130KM/H BLACK
3-2	34100-93J11	SPEEDOMETER ASSY	1	MAX 130KM/H WHITE
3-3	34100-93J20	SPEEDOMETER ASSY	1	MAX 80KM/H BLACK
3-4	34100-93J31	SPEEDOMETER ASSY	1	MAX 80KM/H WHITE
3-5	34100-93J40	SPEEDOMETER ASSY	1	MAX 45KNOTS BLACK
3-6	34100-93J51	SPEEDOMETER ASSY	1	MAX 45KNOTS WHITE
3-7	34100-93J60	SPEEDOMETER ASSY	1	MAX 65KNOTS WHITE
4	09471-12028	.BULB (12V,3.4W)	1	
5	34191-92E00	.TUBE	1	
6	09407-14407	.CLAMP (L:145)	2	
7	36615-96300	.TERMINAL, RESIN	2	
8-1	34600-93J00	METER ASSY, VOLTAGE	1	BLACK
8-2	34600-93J11	METER ASSY, VOLTAGE	1	WHITE
9	09471-12103	.BULB (12V,3W,T6.5)	1	
10-1	34300-93J00	GAUGE ASSY, FUEL	1	BLACK
10-2	34300-93J11	GAUGE ASSY, FUEL	1	WHITE
11	34310-92E00	.LEAD, FUEL GAUGE	1	
12	34360-92E00	.ADAPTER, FUEL GAUGE	1	
13	09471-12103	.BULB (12V,3W,T6.5)	1	
14-1	34500-93J00	METER ASSY, HOUR	1	BLACK
14-2	34500-93J11	METER ASSY, HOUR	1	WHITE
15	09471-12103	.BULB (12V,3W,T6.5)	1	
16-1	34650-93J20	GAUGE ASSY, WATER PRESSURE	1	15PSI BLACK
16-2	34650-93J31	GAUGE ASSY, WATER PRESSURE	1	15PSI WHITE
17	34191-92E00	.TUBE	1	
18	09407-14407	.CLAMP (L:145)	2	
19	09471-12103	.BULB (12V,3W,T6.5)	1	
20-1	34200-93J00	TACHOMETER ASSY, WITH MONITOR	1	BLACK
20-2	34200-93J11	TACHOMETER ASSY, WITH MONITOR	1	WHITE
21	36615-96300	.TERMINAL, RESIN	4	
22	09471-12077	.BULB (12V,1.7W)	1	

FIG.447

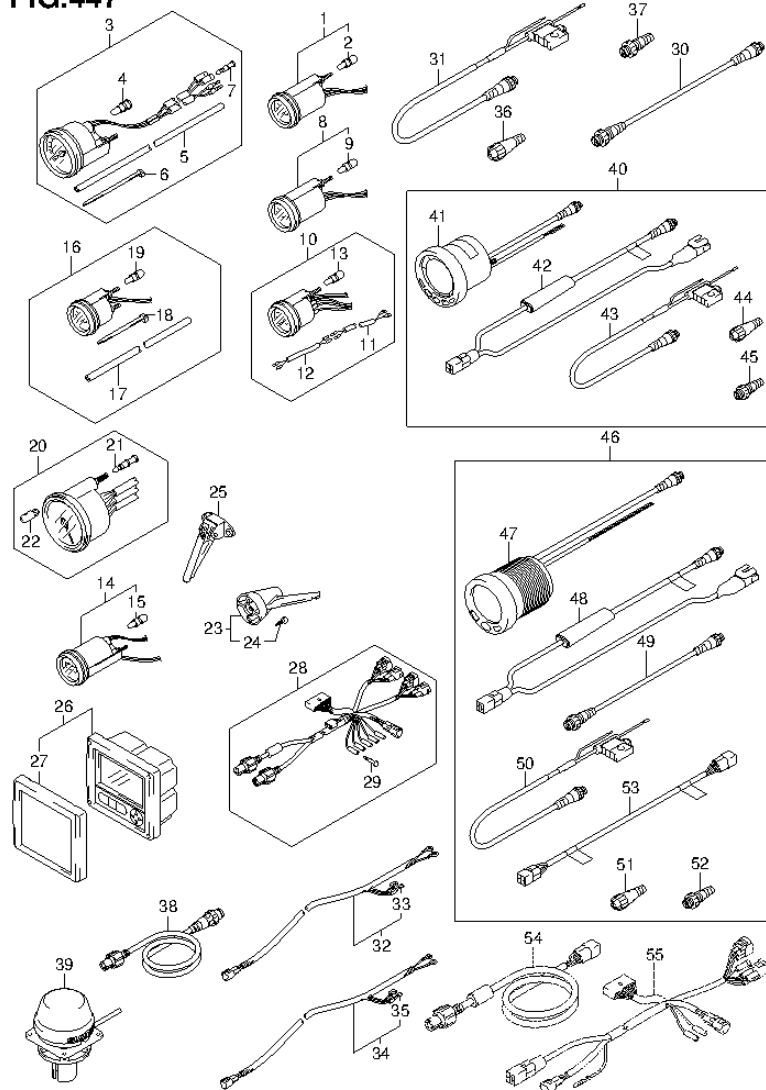


FIG.447 (4-H-4) OPT:METER (DF60AVTH E40)

REF NO.	PART NO.	DESCRIPTION	Q'TY	REMARKS
23	34190-95500	SENDER ASSY, SPEEDOMETER	1	
24	03112-06303	.SCREW	2	
25	34190-87D00	SENDER, SPEEDOMETER	1	
26	34200-87L12	GAUGE ASSY, MULTI	1	
27	34211-87L00	.COVER, FRONT	1	
28	36661-87L00	ADAPTER, GAUGE	1	
29	36615-96300	.TERMINAL, RESIN	5	
30	36662-88L00	WIRE, EXTENSION	1	
31	36663-88L00	HARNESS ASSY, NETWORK POWER	1	
32	36663-98J00	WIRE, GAUGE POWER (2.5M)	1	
33	09481-05501	.FUSE (5A)	1	
34	36663-98J10	WIRE, GAUGE POWER (6.0M)	1	
35	09481-05501	.FUSE (5A)	1	
36	36665-88L00	UNIT, RESISTOR FEMALE	1	
37	36665-88L10	UNIT, RESISTOR MALE	1	
38	36666-87L00	WIRE, NETWORK	1	
39	39950-87L00	MODULE ASSY, GPS RECEIVER	1	
40	34011-88L02	KIT, 4 IN MULTI GAUGE	1	
41	34200-88L02	.GAUGE ASSY, 4 IN MULTI	1	
42	34922-88L01	.UNIT, INTERFACE	1	
43	36663-88L00	.HARNESS ASSY, NETWORK POWER	1	
44	36665-88L00	.UNIT, RESISTOR FEMALE	1	
45	36665-88L10	.UNIT, RESISTOR MALE	1	
46	34011-88L12	KIT, 2 IN MULTI GAUGE	1	
47	34800-88L01	.GAUGE ASSY, 2 IN MULTI	1	
48	34922-88L01	.UNIT, INTERFACE	1	
49	36662-88L00	.WIRE, 25 EXTENSION	1	
50	36663-88L00	.HARNESS ASSY, NETWORK POWER	1	
51	36665-88L00	.UNIT, RESISTOR FEMALE	1	
52	36665-88L10	.UNIT, RESISTOR MALE	1	
53	36668-88L00	.WIRE COMP,ADAPTER TO DIAGNS	1	
54	36664-87L00	ADAPTER, GAUGE FOR DUAL STATION	1	
55	36665-87L00	ADAPTER, GAUGE FOR MULT	1	

FIG.448

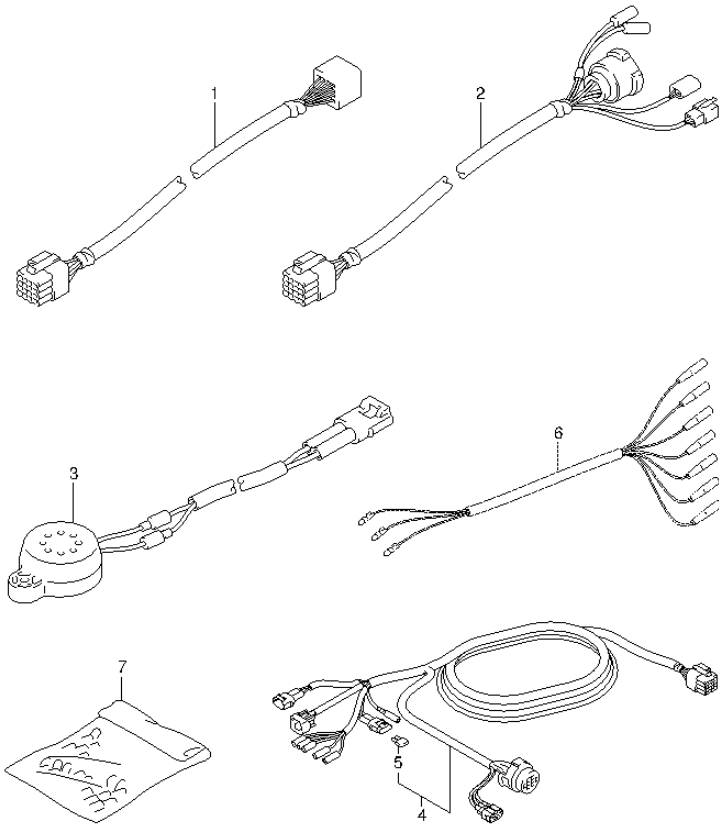


FIG.448 (4-H-5) OPT:HARNESS (DF40A E01)

REF NO.	PART NO.	DESCRIPTION	Q'TY	REMARKS
1-1	36620-93J10	WIRE ASSY, REMOCON EXTENSION	1	L:2000
1-2	36620-93J40	WIRE ASSY, REMOCON EXTENSION	1	L:3000
2	36620-93J30	WIRE ASSY, REMOCON ADAPTER	1	L:2000
3	38500-93J00	BUZZER ASSY, WARNING	1	
4-1	36620-93J02	WIRE ASSY, REMOTE CONTROL	1	L:5000
4-2	36620-93J52	WIRE ASSY, REMOTE CONTROL	1	L:3500
4-3	36620-93J62	WIRE ASSY, REMOTE CONTROL	1	L:6500
5	09481-10501	.FUSE (10A)	1	
6	36990-87D00	TERMINAL & SLEEVE SET	1	
7	36682-92E00	WIRE, MONITOR GAUGE EXTENSION	1	

FIG.449

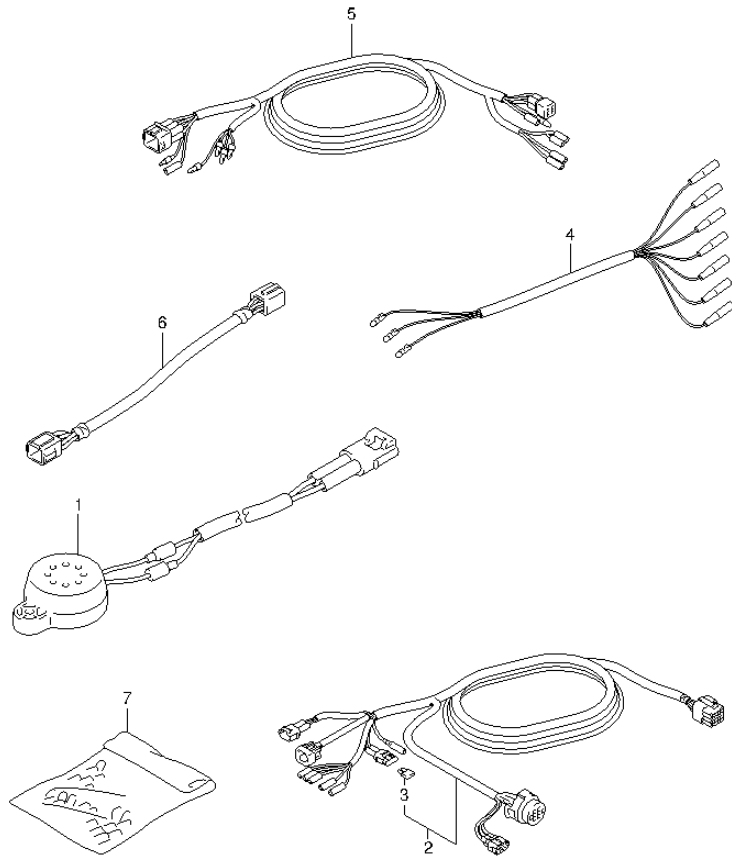


FIG.449 (4-H-6) OPT:HARNESS (DF40AQH E01)

REF NO.	PART NO.	DESCRIPTION	Q'TY	REMARKS
1	38500-93J00	BUZZER ASSY, WARNING	1	
2-1	36620-93J02	WIRE ASSY, REMOTE CONTROL	1	L:5000
2-2	36620-93J52	WIRE ASSY, REMOTE CONTROL	1	L:3500
2-3	36620-93J62	WIRE ASSY, REMOTE CONTROL	1	L:6500
3	09481-10501	.FUSE (10A)	1	
4	36990-87D00	TERMINAL & SLEEVE SET	1	
5	36630-92E00	WIRE ASSY, INSTRUMENT	1	
6	36660-94480	WIRE, MONITOR GAUGE EXTENSION	1	
7	36682-92E00	WIRE, MONITOR GAUGE EXTENSION	1	

FIG.450

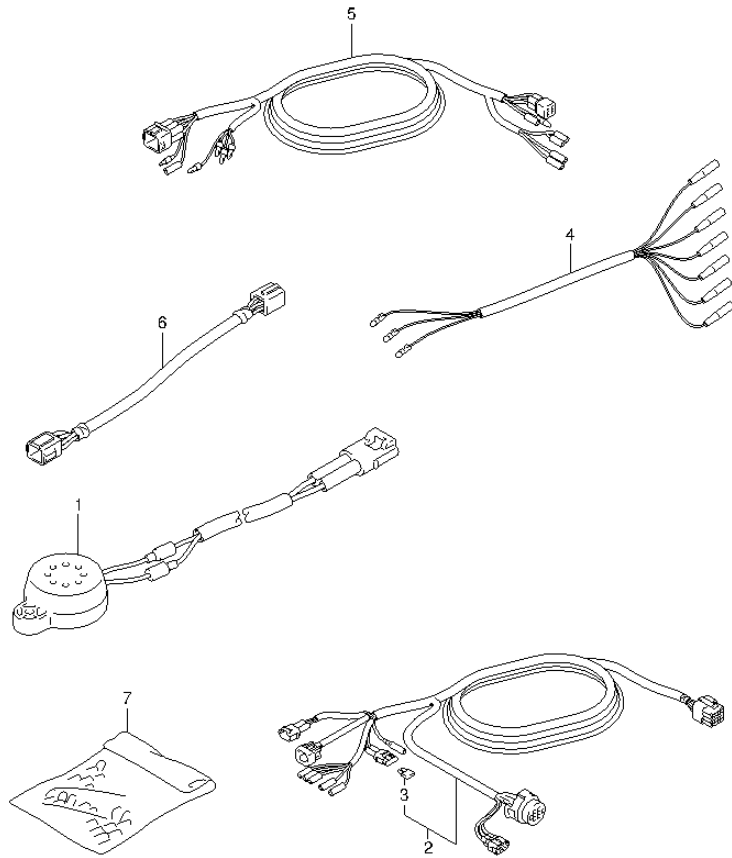


FIG.450 (4-H-7) OPT:HARNESS (DF40ATH E01)

REF NO.	PART NO.	DESCRIPTION	Q'TY	REMARKS
1	38500-93J00	BUZZER ASSY, WARNING	1	
2-1	36620-93J02	WIRE ASSY, REMOTE CONTROL	1	L:5000
2-2	36620-93J52	WIRE ASSY, REMOTE CONTROL	1	L:3500
2-3	36620-93J62	WIRE ASSY, REMOTE CONTROL	1	L:6500
3	09481-10501	.FUSE (10A)	1	
4	36990-87D00	TERMINAL & SLEEVE SET	1	
5	36630-92E00	WIRE ASSY, INSTRUMENT	1	
6	36660-94480	WIRE, MONITOR GAUGE EXTENSION	1	
7	36682-92E00	WIRE, MONITOR GAUGE EXTENSION	1	

FIG.451

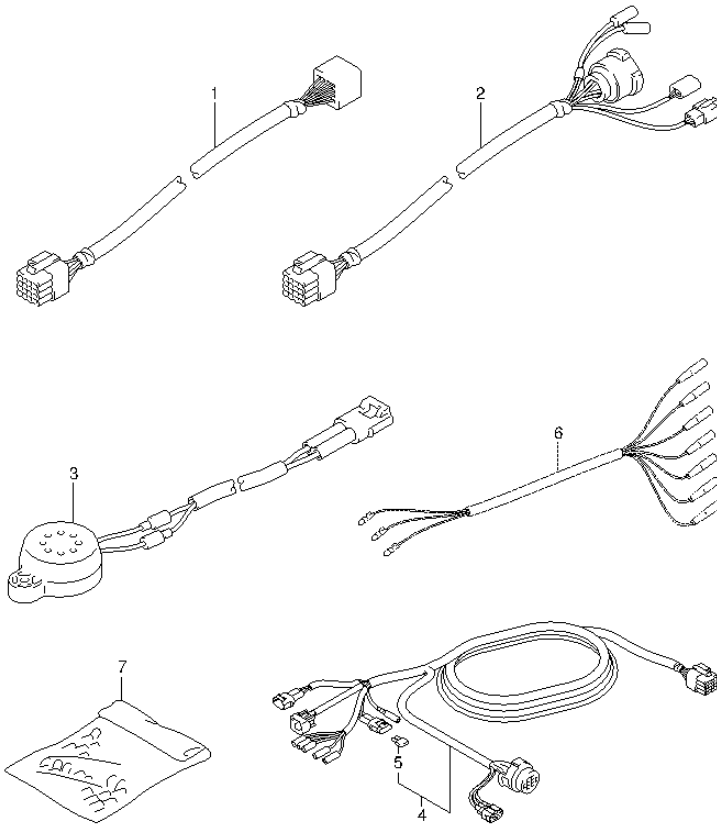


FIG.451 (4-H-8) OPT:HARNESS (DF40AST E34)

REF NO.	PART NO.	DESCRIPTION	Q'TY	REMARKS
1-1	36620-93J10	WIRE ASSY, REMOCON EXTENSION	1	L:2000
1-2	36620-93J40	WIRE ASSY, REMOCON EXTENSION	1	L:3000
2	36620-93J30	WIRE ASSY, REMOCON ADAPTER	1	L:2000
3	38500-93J00	BUZZER ASSY, WARNING	1	
4-1	36620-93J02	WIRE ASSY, REMOTE CONTROL	1	L:5000
4-2	36620-93J52	WIRE ASSY, REMOTE CONTROL	1	L:3500
4-3	36620-93J62	WIRE ASSY, REMOTE CONTROL	1	L:6500
5	09481-10501	.FUSE (10A)	1	
6	36990-87D00	TERMINAL & SLEEVE SET	1	
7	36682-92E00	WIRE, MONITOR GAUGE EXTENSION	1	

FIG.452

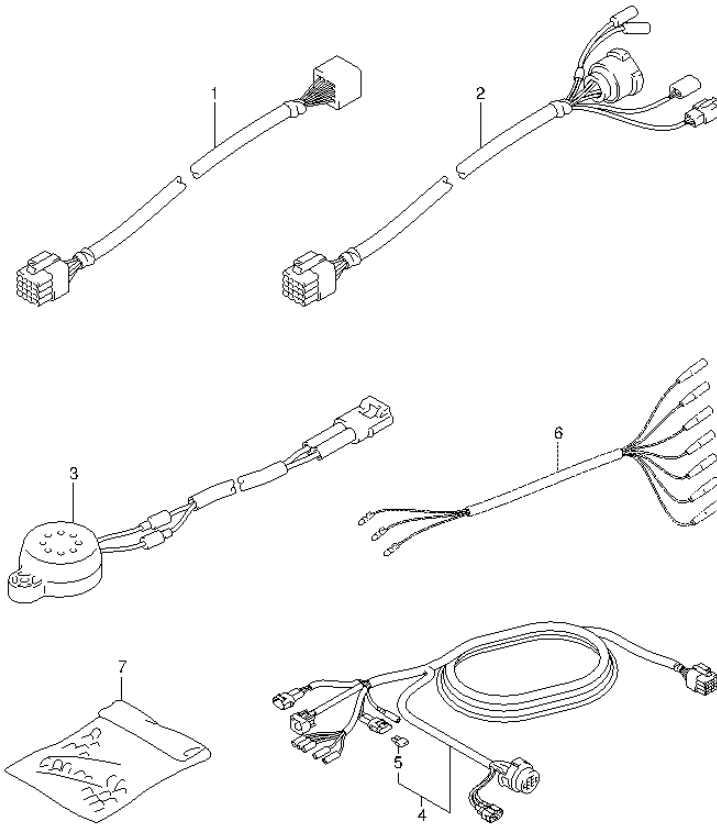


FIG.452 (4-H-9) OPT:HARNESS (DF50A E01)

REF NO.	PART NO.	DESCRIPTION	Q'TY	REMARKS
1-1	36620-93J10	WIRE ASSY, REMOCON EXTENSION	1	L:2000
1-2	36620-93J40	WIRE ASSY, REMOCON EXTENSION	1	L:3000
2	36620-93J30	WIRE ASSY, REMOCON ADAPTER	1	L:2000
3	38500-93J00	BUZZER ASSY, WARNING	1	
4-1	36620-93J02	WIRE ASSY, REMOTE CONTROL	1	L:5000
4-2	36620-93J52	WIRE ASSY, REMOTE CONTROL	1	L:3500
4-3	36620-93J62	WIRE ASSY, REMOTE CONTROL	1	L:6500
5	09481-10501	.FUSE (10A)	1	
6	36990-87D00	TERMINAL & SLEEVE SET	1	
7	36682-92E00	WIRE, MONITOR GAUGE EXTENSION	1	

FIG.453

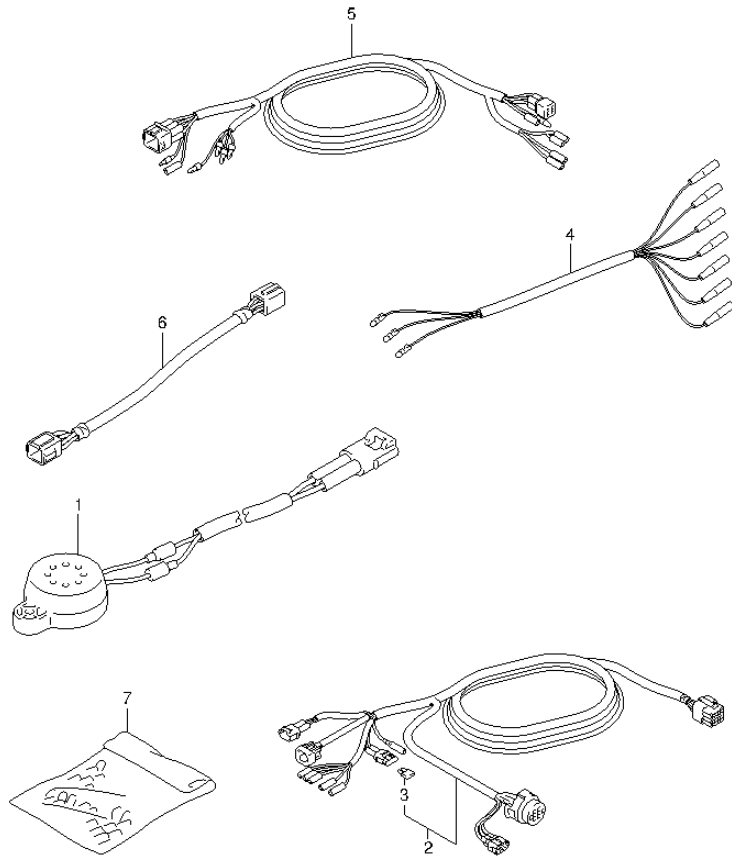


FIG.453 (4-H-10) OPT:HARNESS (DF50ATH E01)

REF NO.	PART NO.	DESCRIPTION	Q'TY	REMARKS
1	38500-93J00	BUZZER ASSY, WARNING	1	
2-1	36620-93J02	WIRE ASSY, REMOTE CONTROL	1	L:5000
2-2	36620-93J52	WIRE ASSY, REMOTE CONTROL	1	L:3500
2-3	36620-93J62	WIRE ASSY, REMOTE CONTROL	1	L:6500
3	09481-10501	.FUSE (10A)	1	
4	36990-87D00	TERMINAL & SLEEVE SET	1	
5	36630-92E00	WIRE ASSY, INSTRUMENT	1	
6	36660-94480	WIRE, MONITOR GAUGE EXTENSION	1	
7	36682-92E00	WIRE, MONITOR GAUGE EXTENSION	1	

FIG.454

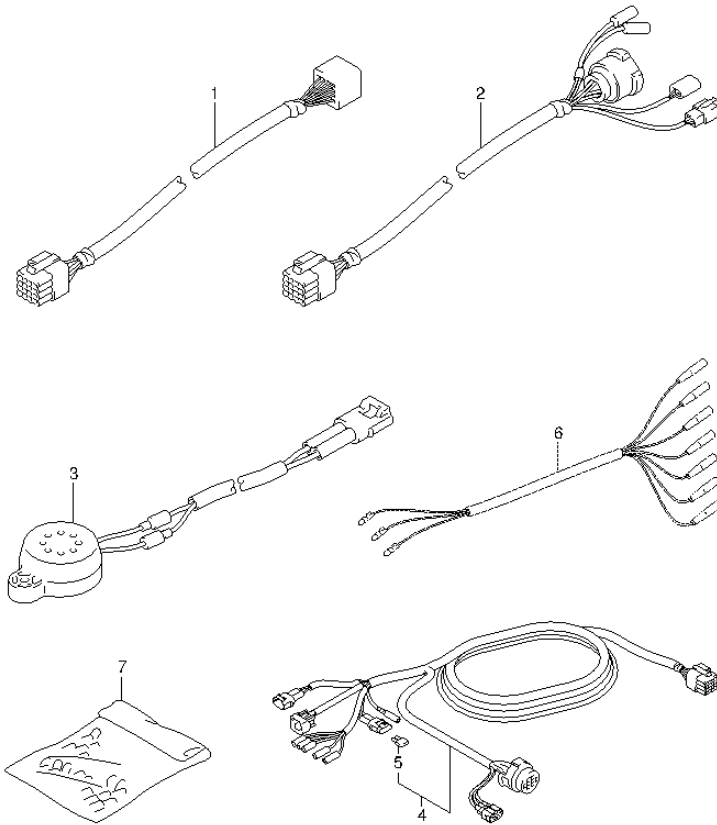


FIG.454 (4-H-11) OPT:HARNESS (DF60A E01)

REF NO.	PART NO.	DESCRIPTION	Q'TY	REMARKS
1-1	36620-93J10	WIRE ASSY, REMOCON EXTENSION	1	L:2000
1-2	36620-93J40	WIRE ASSY, REMOCON EXTENSION	1	L:3000
2	36620-93J30	WIRE ASSY, REMOCON ADAPTER	1	L:2000
3	38500-93J00	BUZZER ASSY, WARNING	1	
4-1	36620-93J02	WIRE ASSY, REMOTE CONTROL	1	L:5000
4-2	36620-93J52	WIRE ASSY, REMOTE CONTROL	1	L:3500
4-3	36620-93J62	WIRE ASSY, REMOTE CONTROL	1	L:6500
5	09481-10501	.FUSE (10A)	1	
6	36990-87D00	TERMINAL & SLEEVE SET	1	
7	36682-92E00	WIRE, MONITOR GAUGE EXTENSION	1	

FIG.455

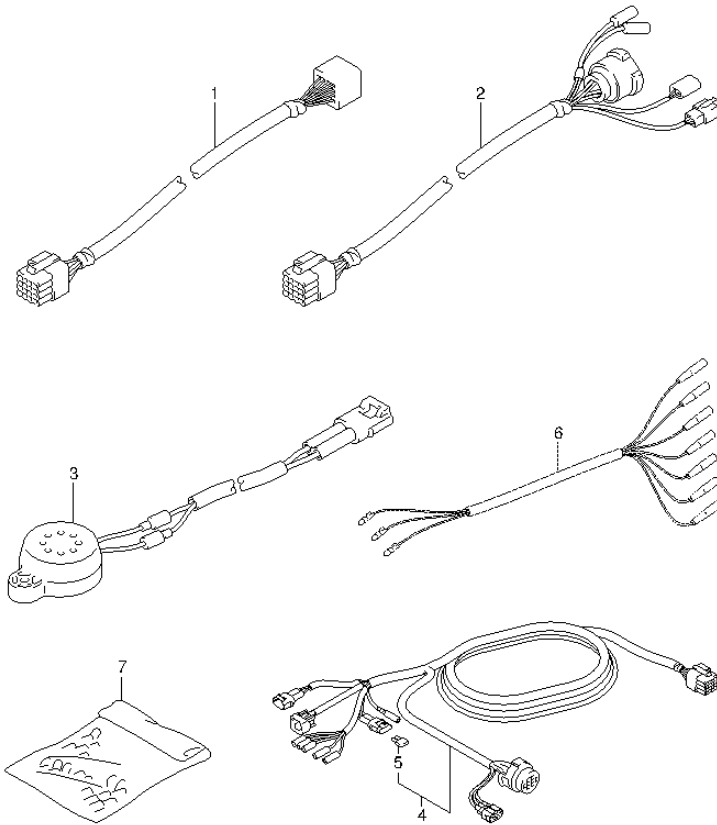


FIG.455 (4-H-12) OPT:HARNESS (DF60A E40)

REF NO.	PART NO.	DESCRIPTION	Q'TY	REMARKS
1-1	36620-93J10	WIRE ASSY, REMOCON EXTENSION	1	L:2000
1-2	36620-93J40	WIRE ASSY, REMOCON EXTENSION	1	L:3000
2	36620-93J30	WIRE ASSY, REMOCON ADAPTER	1	L:2000
3	38500-93J00	BUZZER ASSY, WARNING	1	
4-1	36620-93J02	WIRE ASSY, REMOTE CONTROL	1	L:5000
4-2	36620-93J52	WIRE ASSY, REMOTE CONTROL	1	L:3500
4-3	36620-93J62	WIRE ASSY, REMOTE CONTROL	1	L:6500
5	09481-10501	.FUSE (10A)	1	
6	36990-87D00	TERMINAL & SLEEVE SET	1	
7	36682-92E00	WIRE, MONITOR GAUGE EXTENSION	1	

FIG.456

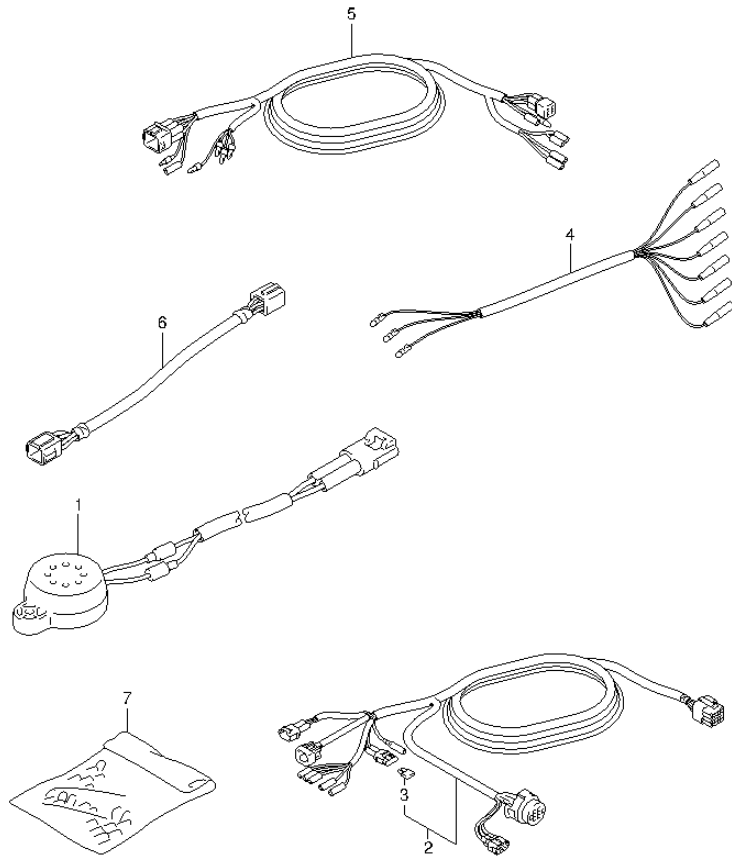


FIG.456 (4-H-13) OPT:HARNESS (DF60AQH E01)

REF NO.	PART NO.	DESCRIPTION	Q'TY	REMARKS
1	38500-93J00	BUZZER ASSY, WARNING	1	
2-1	36620-93J02	WIRE ASSY, REMOTE CONTROL	1	L:5000
2-2	36620-93J52	WIRE ASSY, REMOTE CONTROL	1	L:3500
2-3	36620-93J62	WIRE ASSY, REMOTE CONTROL	1	L:6500
3	09481-10501	.FUSE (10A)	1	
4	36990-87D00	TERMINAL & SLEEVE SET	1	
5	36630-92E00	WIRE ASSY, INSTRUMENT	1	
6	36660-94480	WIRE, MONITOR GAUGE EXTENSION	1	
7	36682-92E00	WIRE, MONITOR GAUGE EXTENSION	1	

FIG.457

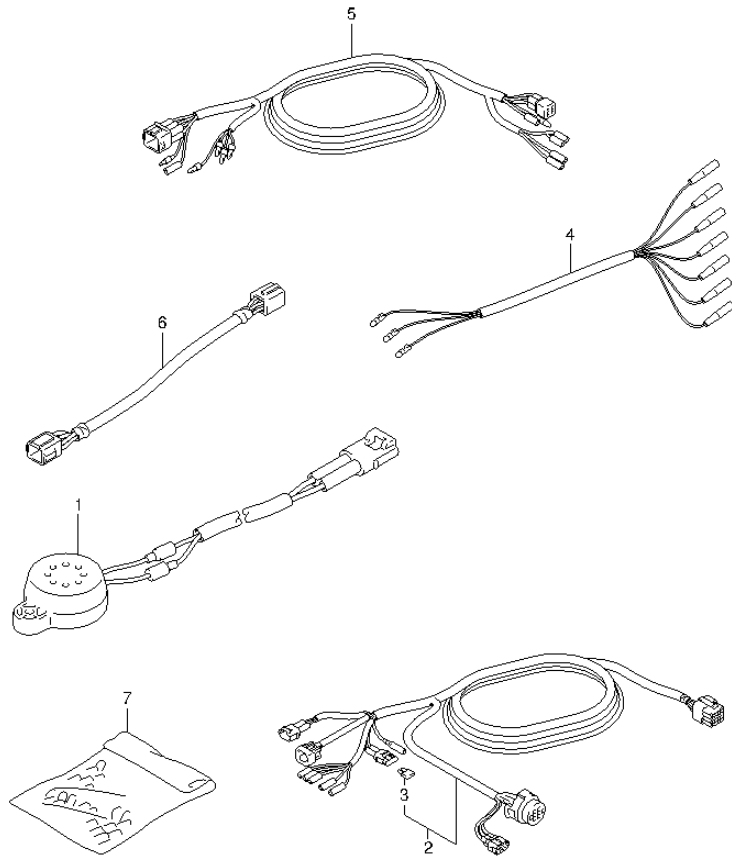


FIG.457 (4-H-14) OPT:HARNESS (DF60AQH E40)

REF NO.	PART NO.	DESCRIPTION	Q'TY	REMARKS
1	38500-93J00	BUZZER ASSY, WARNING	1	
2-1	36620-93J02	WIRE ASSY, REMOTE CONTROL	1	L:5000
2-2	36620-93J52	WIRE ASSY, REMOTE CONTROL	1	L:3500
2-3	36620-93J62	WIRE ASSY, REMOTE CONTROL	1	L:6500
3	09481-10501	.FUSE (10A)	1	
4	36990-87D00	TERMINAL & SLEEVE SET	1	
5	36630-92E00	WIRE ASSY, INSTRUMENT	1	
6	36660-94480	WIRE, MONITOR GAUGE EXTENSION	1	
7	36682-92E00	WIRE, MONITOR GAUGE EXTENSION	1	

FIG.458

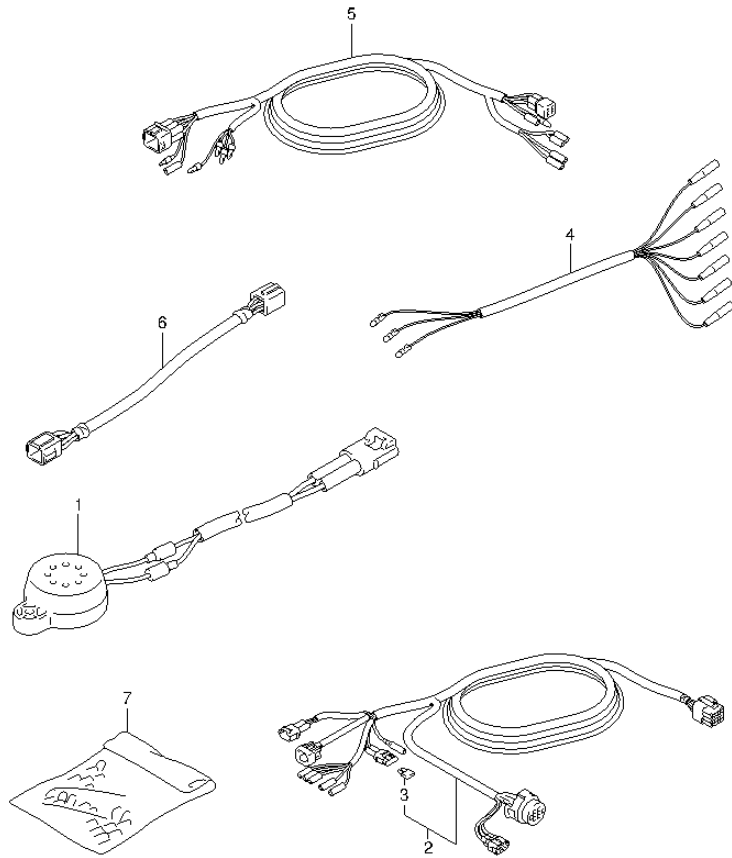


FIG.458 (4-H-15) OPT:HARNESS (DF60ATH E01)

REF NO.	PART NO.	DESCRIPTION	Q'TY	REMARKS
1	38500-93J00	BUZZER ASSY, WARNING	1	
2-1	36620-93J02	WIRE ASSY, REMOTE CONTROL	1	L:5000
2-2	36620-93J52	WIRE ASSY, REMOTE CONTROL	1	L:3500
2-3	36620-93J62	WIRE ASSY, REMOTE CONTROL	1	L:6500
3	09481-10501	.FUSE (10A)	1	
4	36990-87D00	TERMINAL & SLEEVE SET	1	
5	36630-92E00	WIRE ASSY, INSTRUMENT	1	
6	36660-94480	WIRE, MONITOR GAUGE EXTENSION	1	
7	36682-92E00	WIRE, MONITOR GAUGE EXTENSION	1	

FIG.459

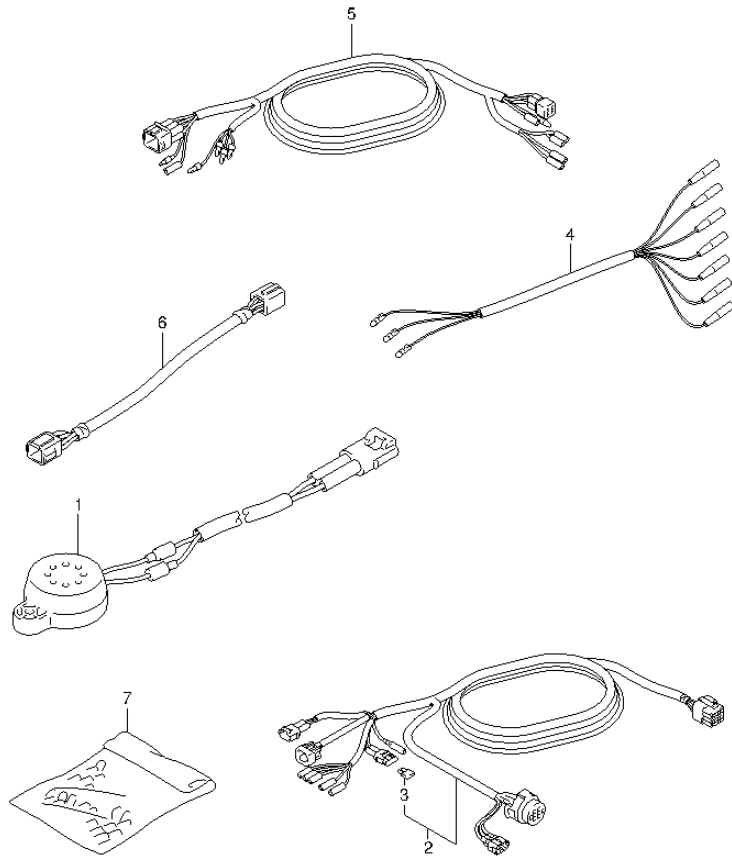


FIG.459 (4-I-2) OPT:HARNESS (DF60ATH E40)

REF NO.	PART NO.	DESCRIPTION	Q'TY	REMARKS
1	38500-93J00	BUZZER ASSY, WARNING	1	
2-1	36620-93J02	WIRE ASSY, REMOTE CONTROL	1	L:5000
2-2	36620-93J52	WIRE ASSY, REMOTE CONTROL	1	L:3500
2-3	36620-93J62	WIRE ASSY, REMOTE CONTROL	1	L:6500
3	09481-10501	.FUSE (10A)	1	
4	36990-87D00	TERMINAL & SLEEVE SET	1	
5	36630-92E00	WIRE ASSY, INSTRUMENT	1	
6	36660-94480	WIRE, MONITOR GAUGE EXTENSION	1	
7	36682-92E00	WIRE, MONITOR GAUGE EXTENSION	1	

FIG.460

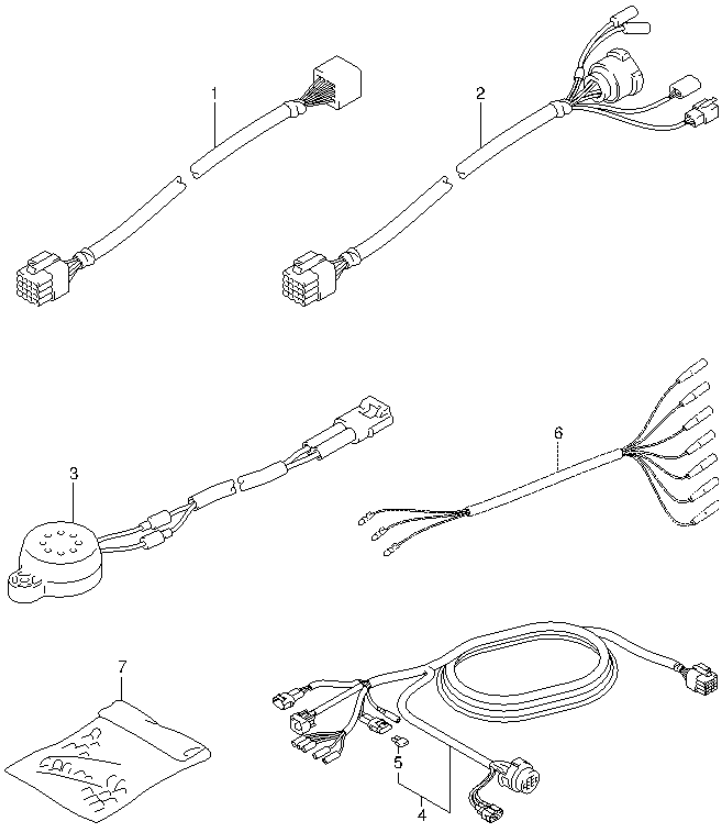


FIG.460 (4-I-3) OPT:HARNESS (DF50AVT E01)

REF NO.	PART NO.	DESCRIPTION	Q'TY	REMARKS
1-1	36620-93J10	WIRE ASSY, REMOCON EXTENSION	1	L:2000
1-2	36620-93J40	WIRE ASSY, REMOCON EXTENSION	1	L:3000
2	36620-93J30	WIRE ASSY, REMOCON ADAPTER	1	L:2000
3	38500-93J00	BUZZER ASSY, WARNING	1	
4-1	36620-93J02	WIRE ASSY, REMOTE CONTROL	1	L:5000
4-2	36620-93J52	WIRE ASSY, REMOTE CONTROL	1	L:3500
4-3	36620-93J62	WIRE ASSY, REMOTE CONTROL	1	L:6500
5	09481-10501	.FUSE (10A)	1	
6	36990-87D00	TERMINAL & SLEEVE SET	1	
7	36682-92E00	WIRE, MONITOR GAUGE EXTENSION	1	

FIG.461

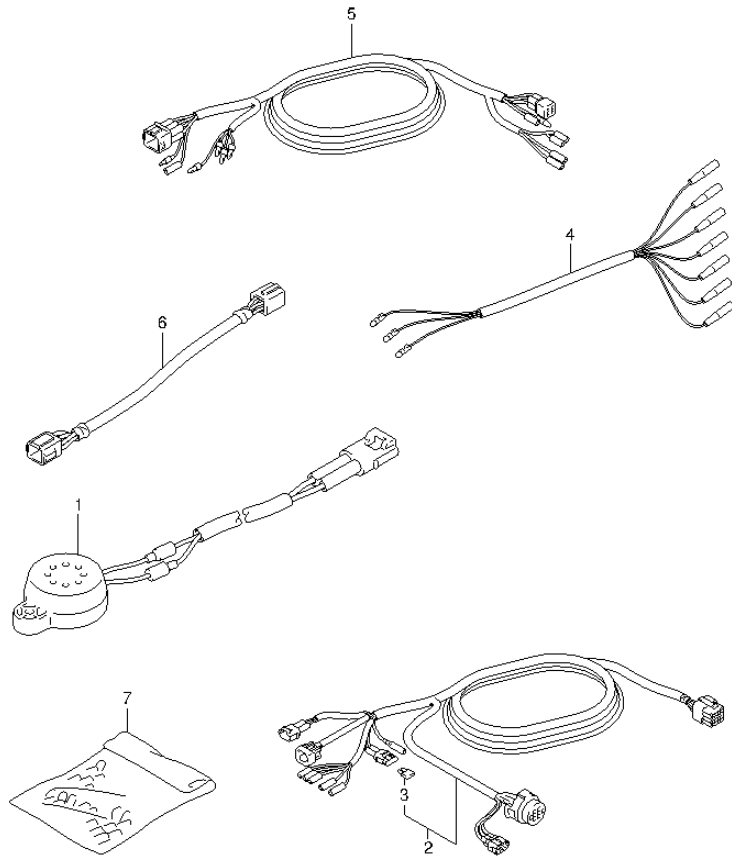


FIG.461 (4-I-4) OPT:HARNESS (DF50AVTH E01)

REF NO.	PART NO.	DESCRIPTION	Q'TY	REMARKS
1	38500-93J00	BUZZER ASSY, WARNING	1	
2-1	36620-93J02	WIRE ASSY, REMOTE CONTROL	1	L:5000
2-2	36620-93J52	WIRE ASSY, REMOTE CONTROL	1	L:3500
2-3	36620-93J62	WIRE ASSY, REMOTE CONTROL	1	L:6500
3	09481-10501	.FUSE (10A)	1	
4	36990-87D00	TERMINAL & SLEEVE SET	1	
5	36630-92E00	WIRE ASSY, INSTRUMENT	1	
6	36660-94480	WIRE, MONITOR GAUGE EXTENSION	1	
7	36682-92E00	WIRE, MONITOR GAUGE EXTENSION	1	

FIG.462

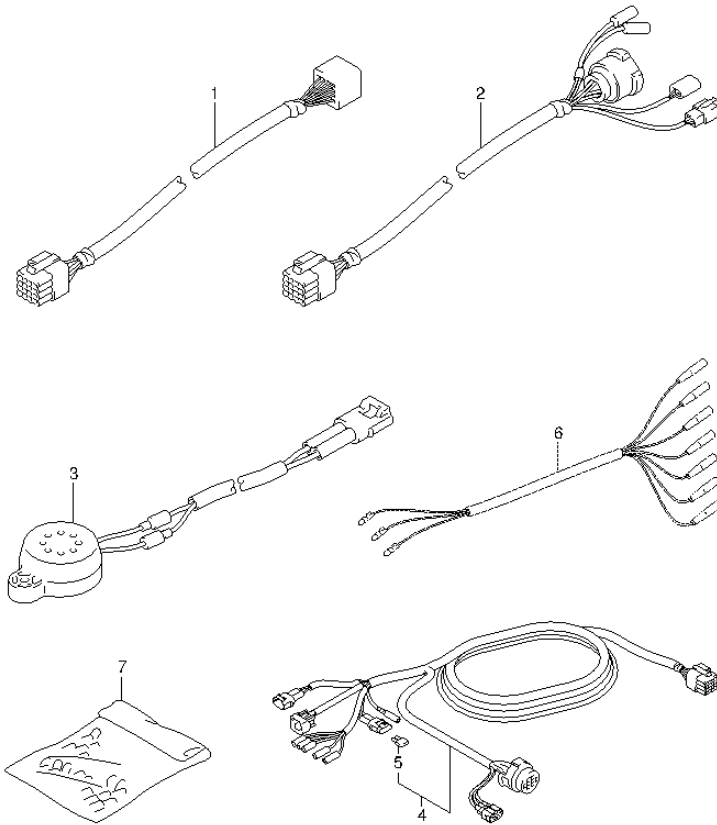


FIG.462 (4-I-5) OPT:HARNESS (DF60AVT E01)

REF NO.	PART NO.	DESCRIPTION	Q'TY	REMARKS
1-1	36620-93J10	WIRE ASSY, REMOCON EXTENSION	1	L:2000
1-2	36620-93J40	WIRE ASSY, REMOCON EXTENSION	1	L:3000
2	36620-93J30	WIRE ASSY, REMOCON ADAPTER	1	L:2000
3	38500-93J00	BUZZER ASSY, WARNING	1	
4-1	36620-93J02	WIRE ASSY, REMOTE CONTROL	1	L:5000
4-2	36620-93J52	WIRE ASSY, REMOTE CONTROL	1	L:3500
4-3	36620-93J62	WIRE ASSY, REMOTE CONTROL	1	L:6500
5	09481-10501	.FUSE (10A)	1	
6	36990-87D00	TERMINAL & SLEEVE SET	1	
7	36682-92E00	WIRE, MONITOR GAUGE EXTENSION	1	

FIG.463

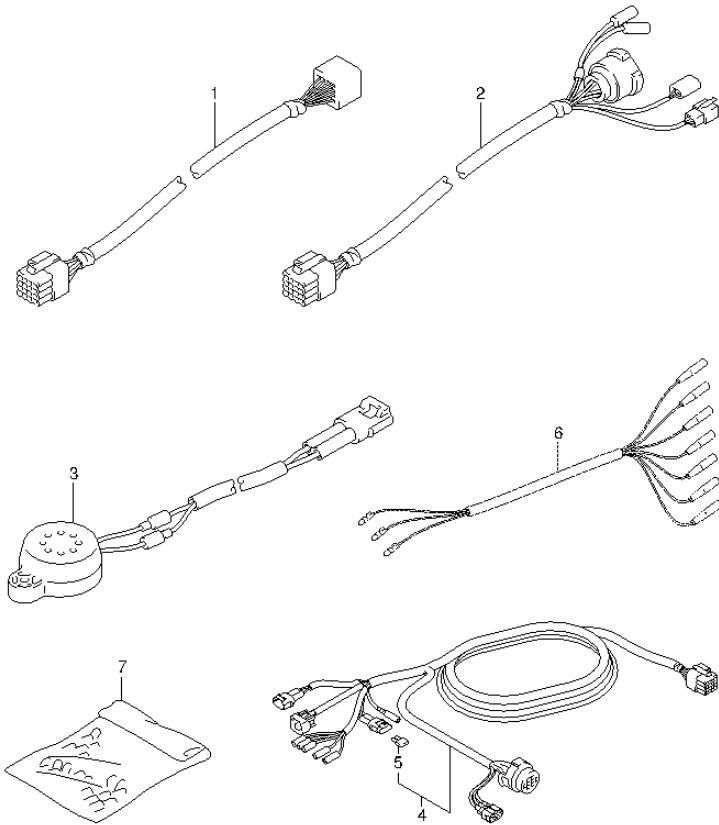


FIG.463 (4-I-6) OPT:HARNESS (DF60AVT E40)

REF NO.	PART NO.	DESCRIPTION	Q'TY	REMARKS
1-1	36620-93J10	WIRE ASSY, REMOCON EXTENSION	1	L:2000
1-2	36620-93J40	WIRE ASSY, REMOCON EXTENSION	1	L:3000
2	36620-93J30	WIRE ASSY, REMOCON ADAPTER	1	L:2000
3	38500-93J00	BUZZER ASSY, WARNING	1	
4-1	36620-93J02	WIRE ASSY, REMOTE CONTROL	1	L:5000
4-2	36620-93J52	WIRE ASSY, REMOTE CONTROL	1	L:3500
4-3	36620-93J62	WIRE ASSY, REMOTE CONTROL	1	L:6500
5	09481-10501	.FUSE (10A)	1	
6	36990-87D00	TERMINAL & SLEEVE SET	1	
7	36682-92E00	WIRE, MONITOR GAUGE EXTENSION	1	

FIG.464

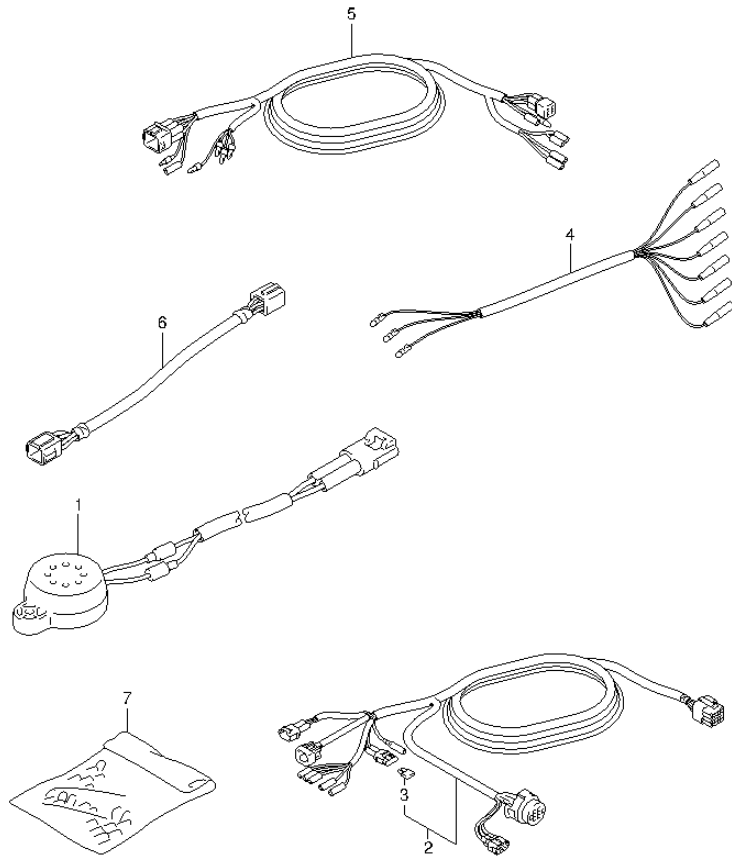


FIG.464 (4-I-7) OPT:HARNESS (DF60AVTH E01)

REF NO.	PART NO.	DESCRIPTION	Q'TY	REMARKS
1	38500-93J00	BUZZER ASSY, WARNING	1	
2-1	36620-93J02	WIRE ASSY, REMOTE CONTROL	1	L:5000
2-2	36620-93J52	WIRE ASSY, REMOTE CONTROL	1	L:3500
2-3	36620-93J62	WIRE ASSY, REMOTE CONTROL	1	L:6500
3	09481-10501	.FUSE (10A)	1	
4	36990-87D00	TERMINAL & SLEEVE SET	1	
5	36630-92E00	WIRE ASSY, INSTRUMENT	1	
6	36660-94480	WIRE, MONITOR GAUGE EXTENSION	1	
7	36682-92E00	WIRE, MONITOR GAUGE EXTENSION	1	

FIG.465

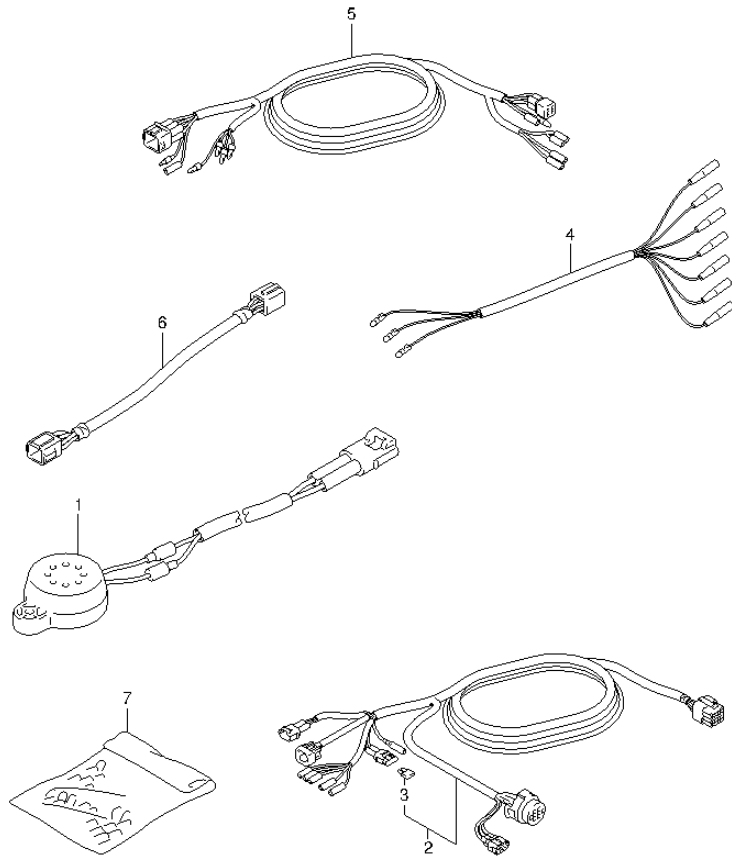


FIG.465 (4-I-8) OPT:HARNESS (DF60AVTH E40)

REF NO.	PART NO.	DESCRIPTION	Q'TY	REMARKS
1	38500-93J00	BUZZER ASSY, WARNING	1	
2-1	36620-93J02	WIRE ASSY, REMOTE CONTROL	1	L:5000
2-2	36620-93J52	WIRE ASSY, REMOTE CONTROL	1	L:3500
2-3	36620-93J62	WIRE ASSY, REMOTE CONTROL	1	L:6500
3	09481-10501	.FUSE (10A)	1	
4	36990-87D00	TERMINAL & SLEEVE SET	1	
5	36630-92E00	WIRE ASSY, INSTRUMENT	1	
6	36660-94480	WIRE, MONITOR GAUGE EXTENSION	1	
7	36682-92E00	WIRE, MONITOR GAUGE EXTENSION	1	

FIG.466

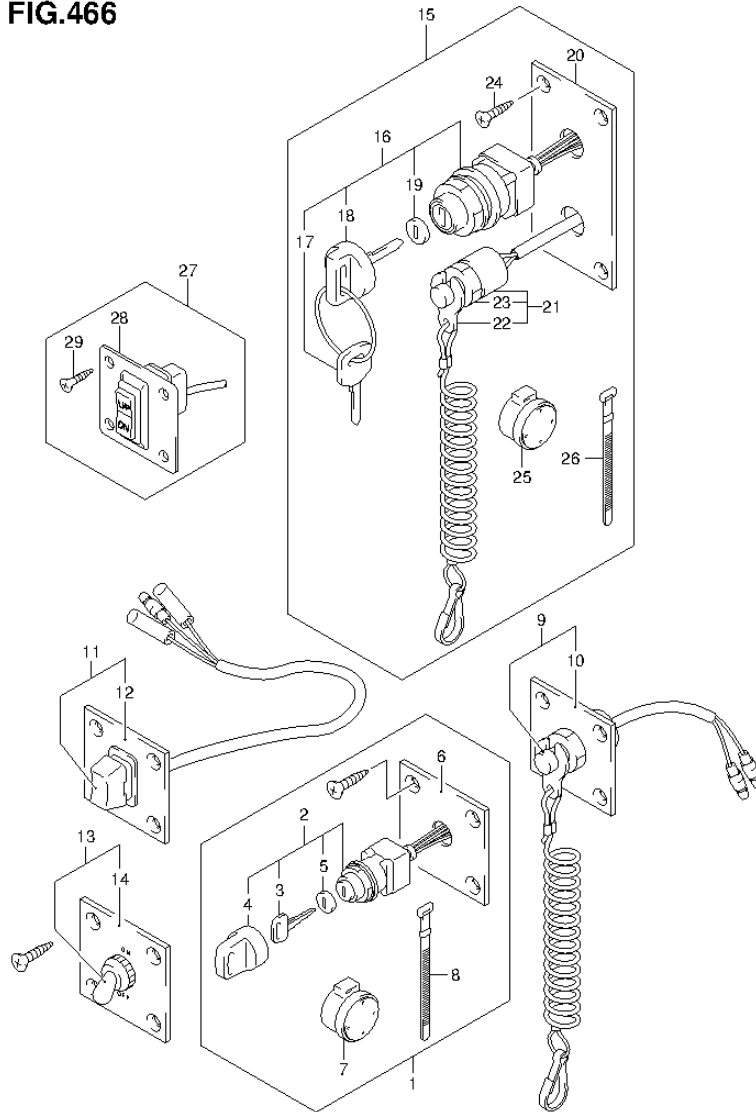


FIG.466 (4-I-9) OPT:SWITCH (DF40A E01)

REF NO.	PART NO.	DESCRIPTION	Q'TY	REMARKS
1	37100-96J00	PANEL ASSY, IGNITION SW	1	
2	37110-93J01	..SWITCH ASSY, IGNITION	1	
3-1	37141-99E00	..KEY (931)	2	
3-2	37141-99E10	..KEY (932)	2	
3-3	37141-99E20	..KEY (933)	2	
3-4	37141-99E30	..KEY (934)	2	
3-5	37141-99E40	..KEY (935)	2	
3-6	37141-99E50	..KEY (936)	2	
3-7	37141-99E60	..KEY (937)	2	
3-8	37141-99E70	..KEY (938)	2	
3-9	37141-99E80	..KEY (939)	2	
3-10	37141-99E90	..KEY (940)	2	
3-11	37141-99EA0	..KEY (941)	2	
3-12	37141-99EB0	..KEY (942)	2	
4	37143-99E00	..CAP, KEY	1	
5	37149-93J00	..CAP, CYLINDER BODY	1	
6	37139-99E00	..PANEL, IGNITION SW	1	
7	38500-93J90	..BUZZER ASSY, WARNING	1	
8	09407-08401	..CLAMP (L:80)	1	
9	37803-93J03	PANEL ASSY, EMERGENCY SW	1	
10	37825-99E00	..PANEL, EMERGENCY SW	1	
11	37805-93J00	PANEL ASSY, PTT SW	1	
12	37855-99E00	..PANEL, PTT SW	1	
13	37210-93J00	PANEL ASSY, LIGHTING SW	1	
14	37212-93J00	..PANEL, LIGHTING SW	1	
15	37100-96J23	PANEL ASSY, ENGINE SW	1	
16	37110-93J01	..SWITCH ASSY, IGNITION	1	
17-1	37141-99E00	..KEY (931)	2	
17-2	37141-99E10	..KEY (932)	2	
17-3	37141-99E20	..KEY (933)	2	
17-4	37141-99E30	..KEY (934)	2	
17-5	37141-99E40	..KEY (935)	2	
17-6	37141-99E50	..KEY (936)	2	
17-7	37141-99E60	..KEY (937)	2	

FIG.466

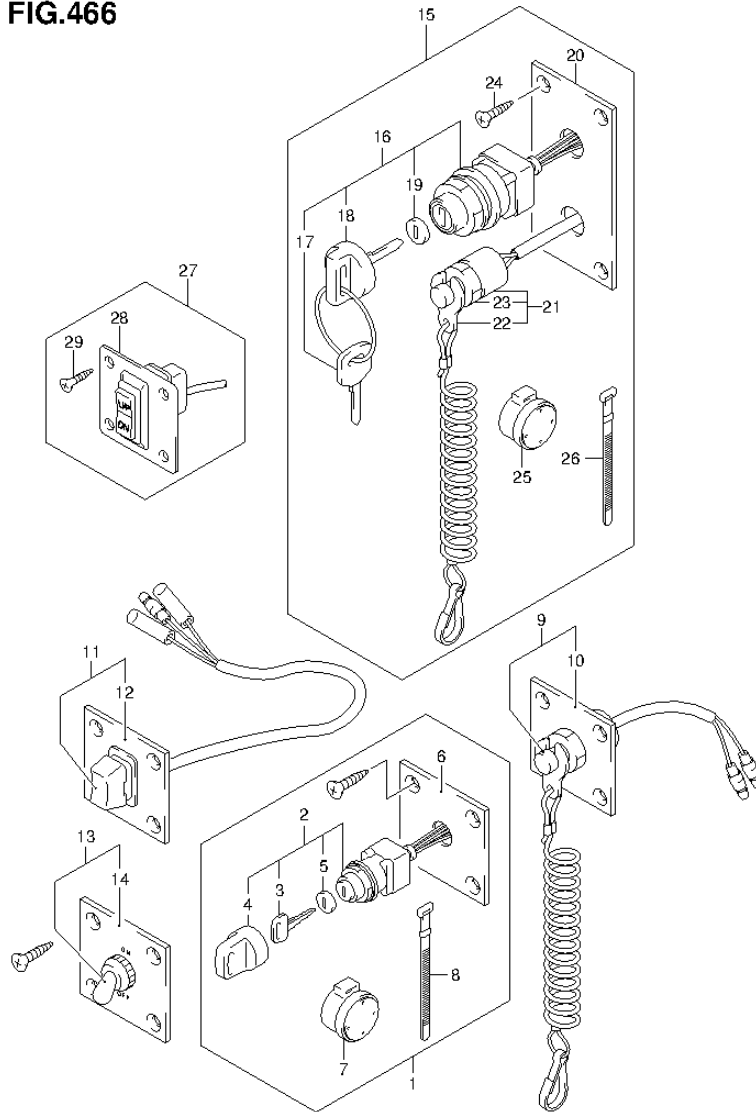


FIG.466 (4-I-10) OPT:SWITCH (DF40A E01)

REF NO.	PART NO.	DESCRIPTION	Q'TY	REMARKS
17-8	37141-99E70	..KEY (938)	2	
17-9	37141-99E80	..KEY (939)	2	
17-10	37141-99E90	..KEY (940)	2	
17-11	37141-99EA0	..KEY (941)	2	
17-12	37141-99EB0	..KEY (942)	2	
18	37143-99E00	..CAP, KEY	1	
19	37149-93J00	..CAP, CYLINDER BODY	1	
20	37139-99E20	..PANEL, IGNITION SWITCH	1	
21	37820-93J03	..SWITCH ASSY, EMERGENCY	1	
22	37823-92E01	..PLATE ASSY, EMERGENCY	1	
23	37826-92E00	..NUT	1	
24	03121-0516A	..SCREW	4	
25	38500-93J90	..BUZZER ASSY, WARNING	1	
26	09407-08401	..CLAMP (L:80)	1	
27	37860-87L00	PANEL ASSY, TROLLING CONTROL	1	
28	37862-87L00	..PANEL	1	
29	09131-05004	..SCREW (5X16)	4	

FIG.467

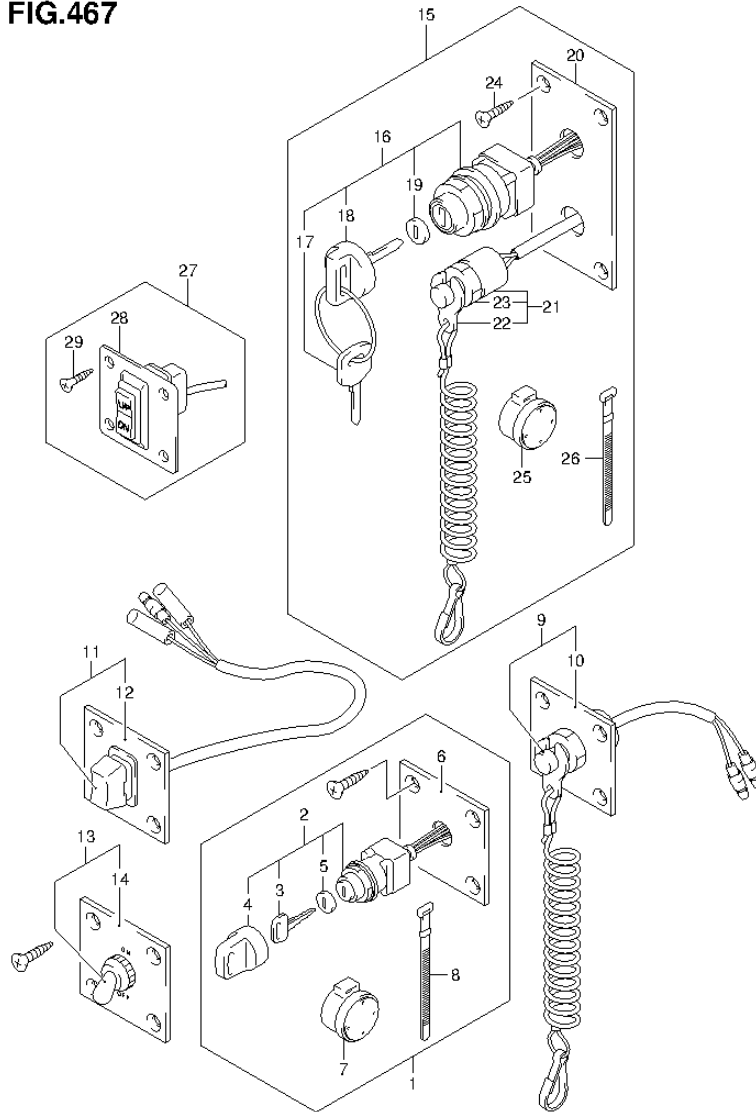


FIG.467 (4-I-11) OPT:SWITCH (DF40AST E34)

REF NO.	PART NO.	DESCRIPTION	Q'TY	REMARKS
1	37100-96J00	PANEL ASSY, IGNITION SW	1	
2	37110-93J01	..SWITCH ASSY, IGNITION	1	
3-1	37141-99E00	..KEY (931)	2	
3-2	37141-99E10	..KEY (932)	2	
3-3	37141-99E20	..KEY (933)	2	
3-4	37141-99E30	..KEY (934)	2	
3-5	37141-99E40	..KEY (935)	2	
3-6	37141-99E50	..KEY (936)	2	
3-7	37141-99E60	..KEY (937)	2	
3-8	37141-99E70	..KEY (938)	2	
3-9	37141-99E80	..KEY (939)	2	
3-10	37141-99E90	..KEY (940)	2	
3-11	37141-99EA0	..KEY (941)	2	
3-12	37141-99EB0	..KEY (942)	2	
4	37143-99E00	..CAP, KEY	1	
5	37149-93J00	..CAP, CYLINDER BODY	1	
6	37139-99E00	..PANEL, IGNITION SW	1	
7	38500-93J90	..BUZZER ASSY, WARNING	1	
8	09407-08401	..CLAMP (L:80)	1	
9	37803-93J03	PANEL ASSY, EMERGENCY SW	1	
10	37825-99E00	..PANEL, EMERGENCY SW	1	
11	37805-93J00	PANEL ASSY, PTT SW	1	
12	37855-99E00	..PANEL, PTT SW	1	
13	37210-93J00	PANEL ASSY, LIGHTING SW	1	
14	37212-93J00	..PANEL, LIGHTING SW	1	
15	37100-96J23	PANEL ASSY, ENGINE SW	1	
16	37110-93J01	..SWITCH ASSY, IGNITION	1	
17-1	37141-99E00	..KEY (931)	2	
17-2	37141-99E10	..KEY (932)	2	
17-3	37141-99E20	..KEY (933)	2	
17-4	37141-99E30	..KEY (934)	2	
17-5	37141-99E40	..KEY (935)	2	
17-6	37141-99E50	..KEY (936)	2	
17-7	37141-99E60	..KEY (937)	2	

FIG.467

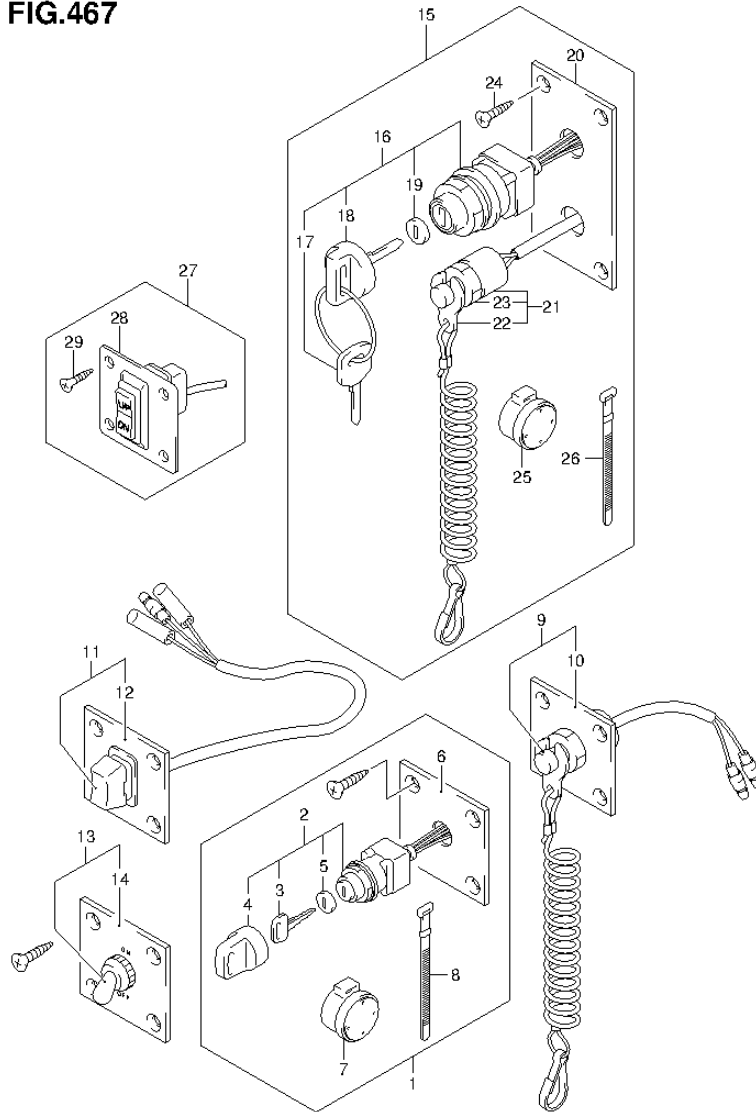
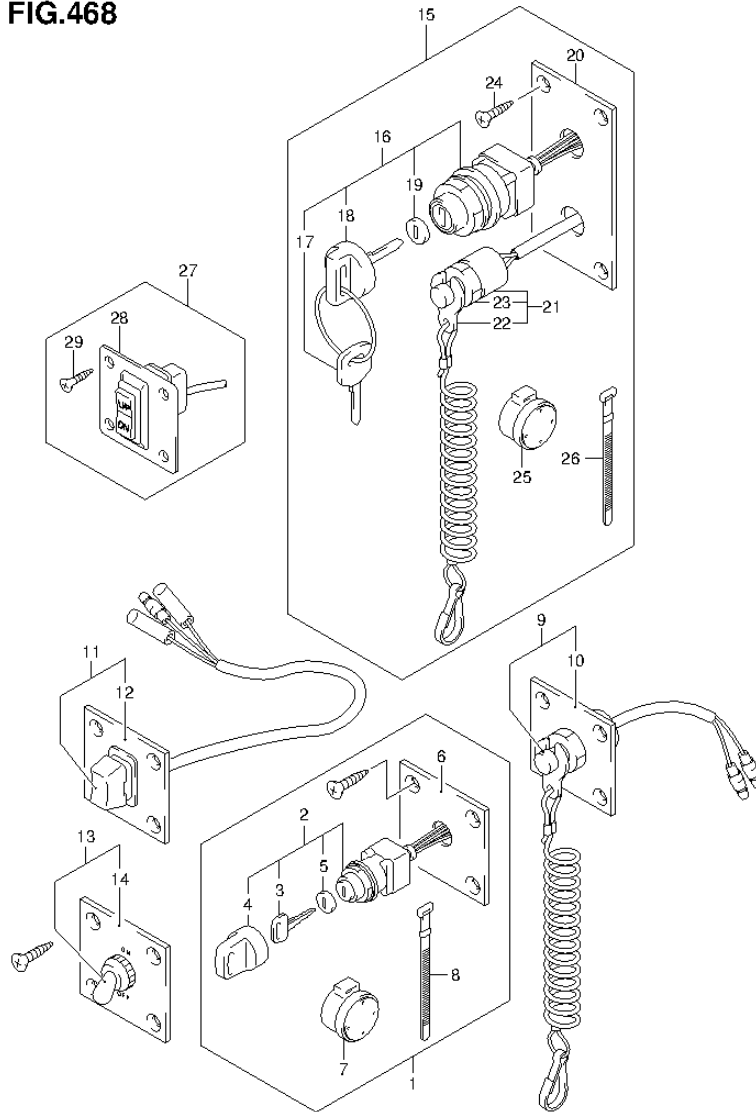


FIG.467 (4-I-12) OPT:SWITCH (DF40AST E34)

REF NO.	PART NO.	DESCRIPTION	Q'TY	REMARKS
17-8	37141-99E70	..KEY (938)	2	
17-9	37141-99E80	..KEY (939)	2	
17-10	37141-99E90	..KEY (940)	2	
17-11	37141-99EA0	..KEY (941)	2	
17-12	37141-99EB0	..KEY (942)	2	
18	37143-99E00	..CAP, KEY	1	
19	37149-93J00	..CAP, CYLINDER BODY	1	
20	37139-99E20	..PANEL, IGNITION SWITCH	1	
21	37820-93J03	..SWITCH ASSY, EMERGENCY	1	
22	37823-92E01	..PLATE ASSY, EMERGENCY	1	
23	37826-92E00	..NUT	1	
24	03121-0516A	..SCREW	4	
25	38500-93J90	..BUZZER ASSY, WARNING	1	
26	09407-08401	..CLAMP (L:80)	1	
27	37860-87L00	PANEL ASSY, TROLLING CONTROL	1	
28	37862-87L00	..PANEL	1	
29	09131-05004	..SCREW (5X16)	4	

FIG.468



DF60A_E01_014_468
OPT:SWITCH

FIG.468 (4-I-13) OPT:SWITCH (DF50A E01)

REF NO.	PART NO.	DESCRIPTION	Q'TY	REMARKS
1	37100-96J00	PANEL ASSY, IGNITION SW	1	
2	37110-93J01	..SWITCH ASSY, IGNITION	1	
3-1	37141-99E00	..KEY (931)	2	
3-2	37141-99E10	..KEY (932)	2	
3-3	37141-99E20	..KEY (933)	2	
3-4	37141-99E30	..KEY (934)	2	
3-5	37141-99E40	..KEY (935)	2	
3-6	37141-99E50	..KEY (936)	2	
3-7	37141-99E60	..KEY (937)	2	
3-8	37141-99E70	..KEY (938)	2	
3-9	37141-99E80	..KEY (939)	2	
3-10	37141-99E90	..KEY (940)	2	
3-11	37141-99EA0	..KEY (941)	2	
3-12	37141-99EB0	..KEY (942)	2	
4	37143-99E00	..CAP, KEY	1	
5	37149-93J00	..CAP, CYLINDER BODY	1	
6	37139-99E00	..PANEL, IGNITION SW	1	
7	38500-93J90	..BUZZER ASSY, WARNING	1	
8	09407-08401	..CLAMP (L:80)	1	
9	37803-93J03	PANEL ASSY, EMERGENCY SW	1	
10	37825-99E00	..PANEL, EMERGENCY SW	1	
11	37805-93J00	PANEL ASSY, PTT SW	1	
12	37855-99E00	..PANEL, PTT SW	1	
13	37210-93J00	PANEL ASSY, LIGHTING SW	1	
14	37212-93J00	..PANEL, LIGHTING SW	1	
15	37100-96J23	PANEL ASSY, ENGINE SW	1	
16	37110-93J01	..SWITCH ASSY, IGNITION	1	
17-1	37141-99E00	..KEY (931)	2	
17-2	37141-99E10	..KEY (932)	2	
17-3	37141-99E20	..KEY (933)	2	
17-4	37141-99E30	..KEY (934)	2	
17-5	37141-99E40	..KEY (935)	2	
17-6	37141-99E50	..KEY (936)	2	
17-7	37141-99E60	..KEY (937)	2	

DF60A_E01_014

FIG.468

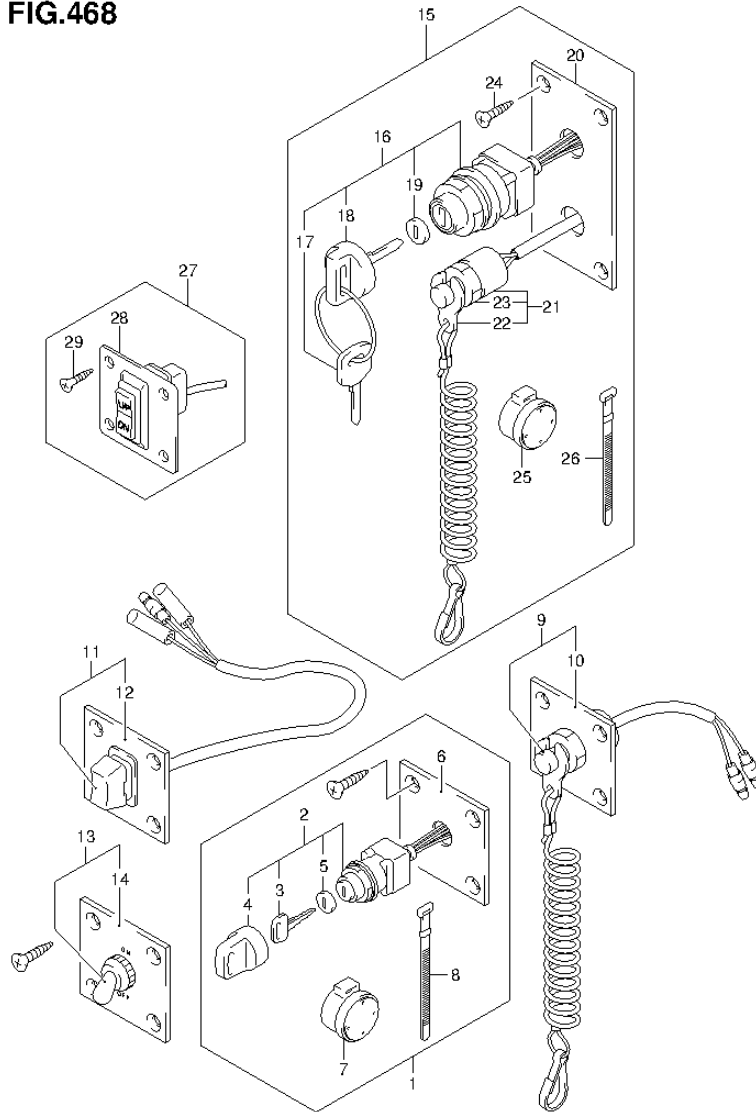


FIG.468 (4-I-14) OPT:SWITCH (DF50A E01)

REF NO.	PART NO.	DESCRIPTION	Q'TY	REMARKS
17-8	37141-99E70	..KEY (938)	2	
17-9	37141-99E80	..KEY (939)	2	
17-10	37141-99E90	..KEY (940)	2	
17-11	37141-99EA0	..KEY (941)	2	
17-12	37141-99EB0	..KEY (942)	2	
18	37143-99E00	..CAP, KEY	1	
19	37149-93J00	..CAP, CYLINDER BODY	1	
20	37139-99E20	..PANEL, IGNITION SWITCH	1	
21	37820-93J03	..SWITCH ASSY, EMERGENCY	1	
22	37823-92E01	..PLATE ASSY, EMERGENCY	1	
23	37826-92E00	..NUT	1	
24	03121-0516A	..SCREW	4	
25	38500-93J90	..BUZZER ASSY, WARNING	1	
26	09407-08401	..CLAMP (L:80)	1	
27	37860-87L00	PANEL ASSY, TROLLING CONTROL	1	
28	37862-87L00	..PANEL	1	
29	09131-05004	..SCREW (5X16)	4	

FIG.469

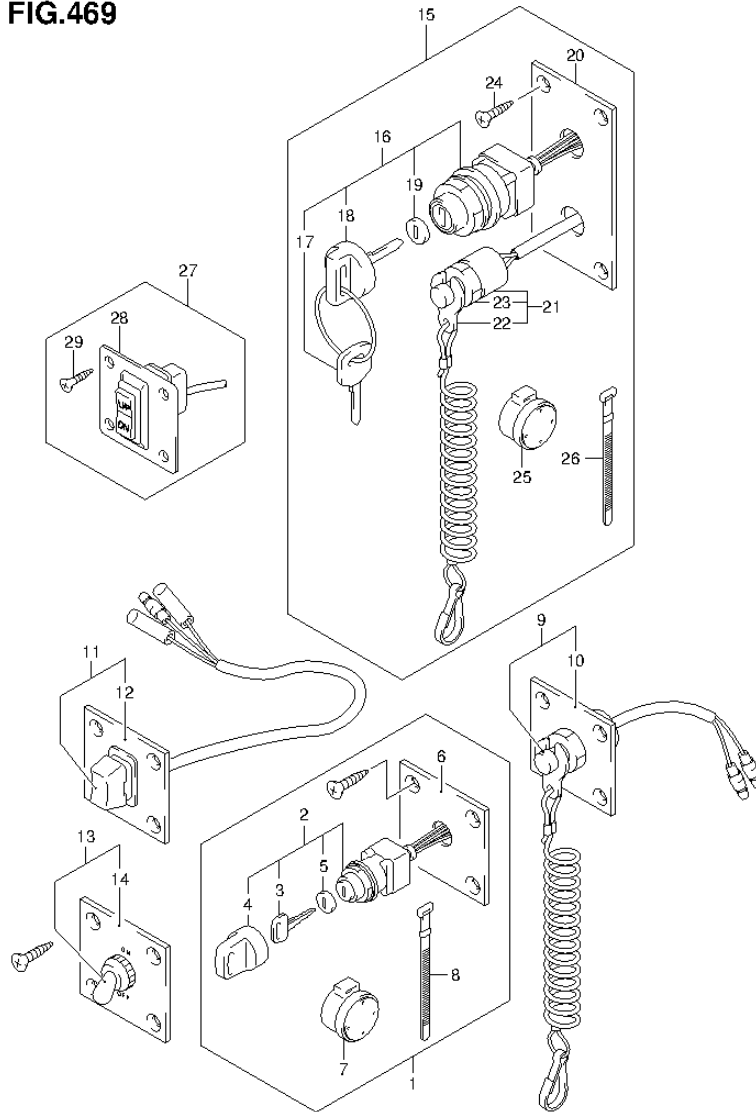


FIG.469 (4-I-15) OPT:SWITCH (DF60A E01)

REF NO.	PART NO.	DESCRIPTION	Q'TY	REMARKS
1	37100-96J00	PANEL ASSY, IGNITION SW	1	
2	37110-93J01	..SWITCH ASSY, IGNITION	1	
3-1	37141-99E00	..KEY (931)	2	
3-2	37141-99E10	..KEY (932)	2	
3-3	37141-99E20	..KEY (933)	2	
3-4	37141-99E30	..KEY (934)	2	
3-5	37141-99E40	..KEY (935)	2	
3-6	37141-99E50	..KEY (936)	2	
3-7	37141-99E60	..KEY (937)	2	
3-8	37141-99E70	..KEY (938)	2	
3-9	37141-99E80	..KEY (939)	2	
3-10	37141-99E90	..KEY (940)	2	
3-11	37141-99EA0	..KEY (941)	2	
3-12	37141-99EB0	..KEY (942)	2	
4	37143-99E00	..CAP, KEY	1	
5	37149-93J00	..CAP, CYLINDER BODY	1	
6	37139-99E00	..PANEL, IGNITION SW	1	
7	38500-93J90	..BUZZER ASSY, WARNING	1	
8	09407-08401	..CLAMP (L:80)	1	
9	37803-93J03	PANEL ASSY, EMERGENCY SW	1	
10	37825-99E00	..PANEL, EMERGENCY SW	1	
11	37805-93J00	PANEL ASSY, PTT SW	1	
12	37855-99E00	..PANEL, PTT SW	1	
13	37210-93J00	PANEL ASSY, LIGHTING SW	1	
14	37212-93J00	..PANEL, LIGHTING SW	1	
15	37100-96J23	PANEL ASSY, ENGINE SW	1	
16	37110-93J01	..SWITCH ASSY, IGNITION	1	
17-1	37141-99E00	..KEY (931)	2	
17-2	37141-99E10	..KEY (932)	2	
17-3	37141-99E20	..KEY (933)	2	
17-4	37141-99E30	..KEY (934)	2	
17-5	37141-99E40	..KEY (935)	2	
17-6	37141-99E50	..KEY (936)	2	
17-7	37141-99E60	..KEY (937)	2	

FIG.469

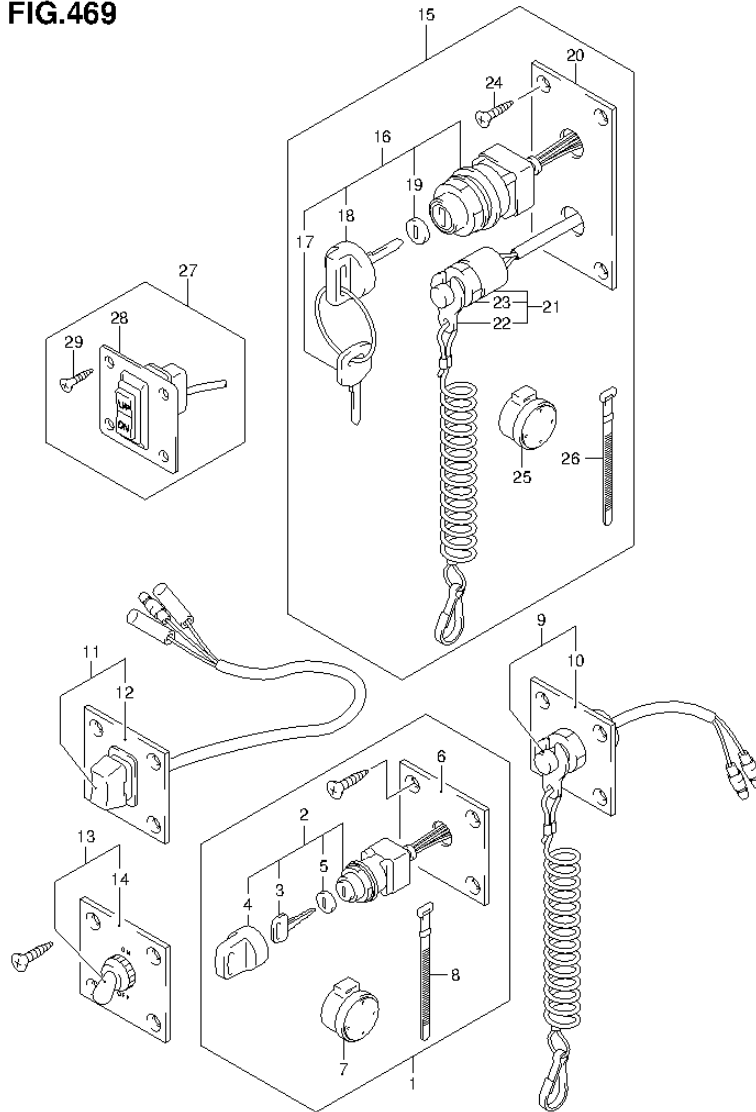


FIG.469 (4-J-2) OPT:SWITCH (DF60A E01)

REF NO.	PART NO.	DESCRIPTION	Q'TY	REMARKS
17-8	37141-99E70	..KEY (938)	2	
17-9	37141-99E80	..KEY (939)	2	
17-10	37141-99E90	..KEY (940)	2	
17-11	37141-99EA0	..KEY (941)	2	
17-12	37141-99EB0	..KEY (942)	2	
18	37143-99E00	..CAP, KEY	1	
19	37149-93J00	..CAP, CYLINDER BODY	1	
20	37139-99E20	..PANEL, IGNITION SWITCH	1	
21	37820-93J03	..SWITCH ASSY, EMERGENCY	1	
22	37823-92E01	..PLATE ASSY, EMERGENCY	1	
23	37826-92E00	..NUT	1	
24	03121-0516A	..SCREW	4	
25	38500-93J90	..BUZZER ASSY, WARNING	1	
26	09407-08401	..CLAMP (L:80)	1	
27	37860-87L00	PANEL ASSY, TROLLING CONTROL	1	
28	37862-87L00	..PANEL	1	
29	09131-05004	..SCREW (5X16)	4	

FIG.470

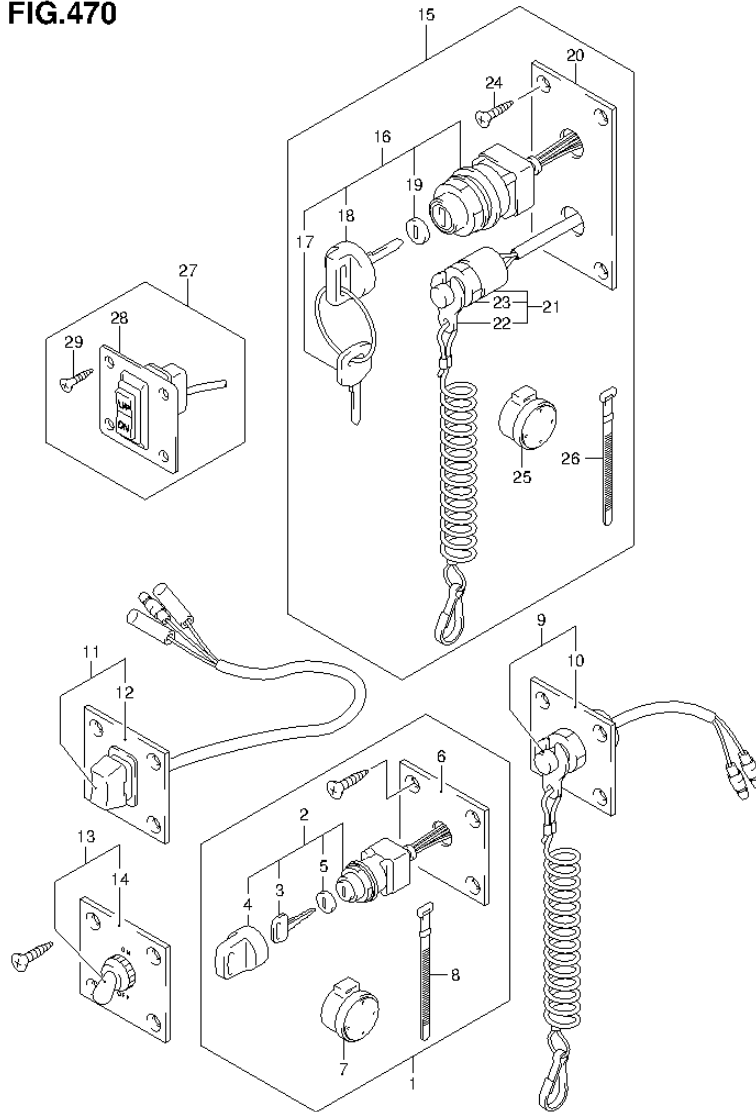


FIG.470 (4-J-3) OPT:SWITCH (DF60A E40)

REF NO.	PART NO.	DESCRIPTION	Q'TY	REMARKS
1	37100-96J00	PANEL ASSY, IGNITION SW	1	
2	37110-93J01	..SWITCH ASSY, IGNITION	1	
3-1	37141-99E00	..KEY (931)	2	
3-2	37141-99E10	..KEY (932)	2	
3-3	37141-99E20	..KEY (933)	2	
3-4	37141-99E30	..KEY (934)	2	
3-5	37141-99E40	..KEY (935)	2	
3-6	37141-99E50	..KEY (936)	2	
3-7	37141-99E60	..KEY (937)	2	
3-8	37141-99E70	..KEY (938)	2	
3-9	37141-99E80	..KEY (939)	2	
3-10	37141-99E90	..KEY (940)	2	
3-11	37141-99EA0	..KEY (941)	2	
3-12	37141-99EB0	..KEY (942)	2	
4	37143-99E00	..CAP, KEY	1	
5	37149-93J00	..CAP, CYLINDER BODY	1	
6	37139-99E00	..PANEL, IGNITION SW	1	
7	38500-93J90	..BUZZER ASSY, WARNING	1	
8	09407-08401	..CLAMP (L:80)	1	
9	37803-93J03	PANEL ASSY, EMERGENCY SW	1	
10	37825-99E00	..PANEL, EMERGENCY SW	1	
11	37805-93J00	PANEL ASSY, PTT SW	1	
12	37855-99E00	..PANEL, PTT SW	1	
13	37210-93J00	PANEL ASSY, LIGHTING SW	1	
14	37212-93J00	..PANEL, LIGHTING SW	1	
15	37100-96J23	PANEL ASSY, ENGINE SW	1	
16	37110-93J01	..SWITCH ASSY, IGNITION	1	
17-1	37141-99E00	..KEY (931)	2	
17-2	37141-99E10	..KEY (932)	2	
17-3	37141-99E20	..KEY (933)	2	
17-4	37141-99E30	..KEY (934)	2	
17-5	37141-99E40	..KEY (935)	2	
17-6	37141-99E50	..KEY (936)	2	
17-7	37141-99E60	..KEY (937)	2	

FIG.470

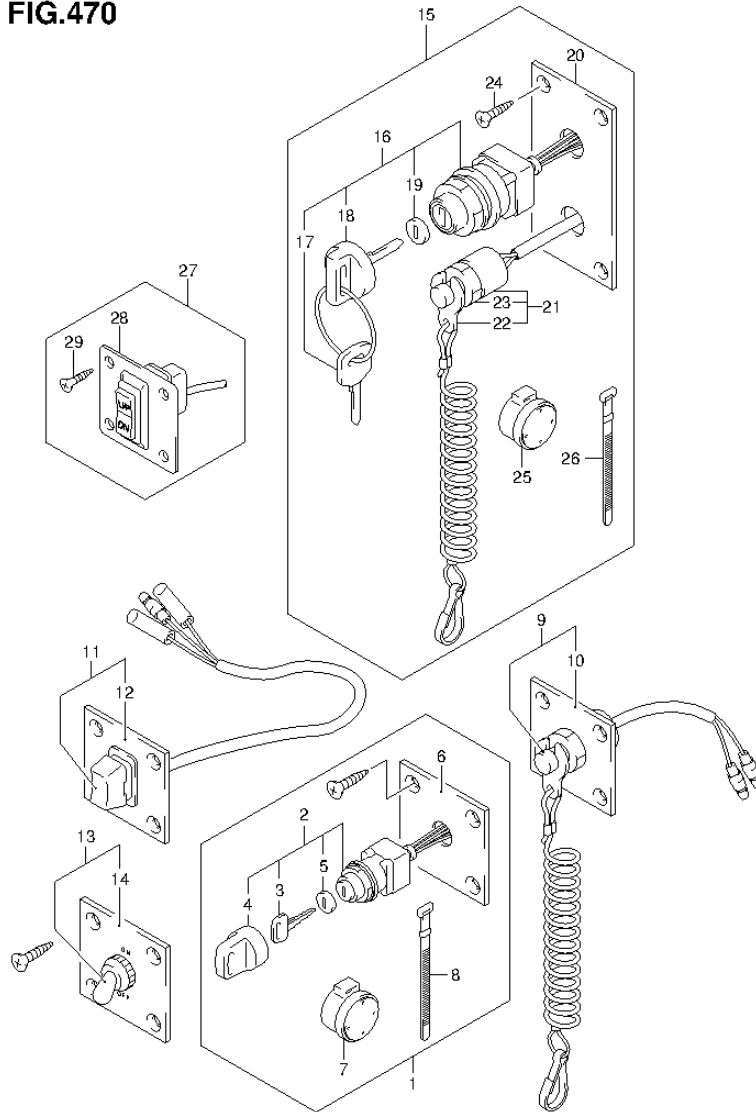


FIG.470 (4-J-4) OPT:SWITCH (DF60A E40)

REF NO.	PART NO.	DESCRIPTION	Q'TY	REMARKS
17-8	37141-99E70	..KEY (938)	2	
17-9	37141-99E80	..KEY (939)	2	
17-10	37141-99E90	..KEY (940)	2	
17-11	37141-99EA0	..KEY (941)	2	
17-12	37141-99EB0	..KEY (942)	2	
18	37143-99E00	..CAP, KEY	1	
19	37149-93J00	..CAP, CYLINDER BODY	1	
20	37139-99E20	..PANEL, IGNITION SWITCH	1	
21	37820-93J03	..SWITCH ASSY, EMERGENCY	1	
22	37823-92E01	..PLATE ASSY, EMERGENCY	1	
23	37826-92E00	..NUT	1	
24	03121-0516A	..SCREW	4	
25	38500-93J90	..BUZZER ASSY, WARNING	1	
26	09407-08401	..CLAMP (L:80)	1	
27	37860-87L00	PANEL ASSY, TROLLING CONTROL	1	
28	37862-87L00	..PANEL	1	
29	09131-05004	..SCREW (5X16)	4	

FIG.471

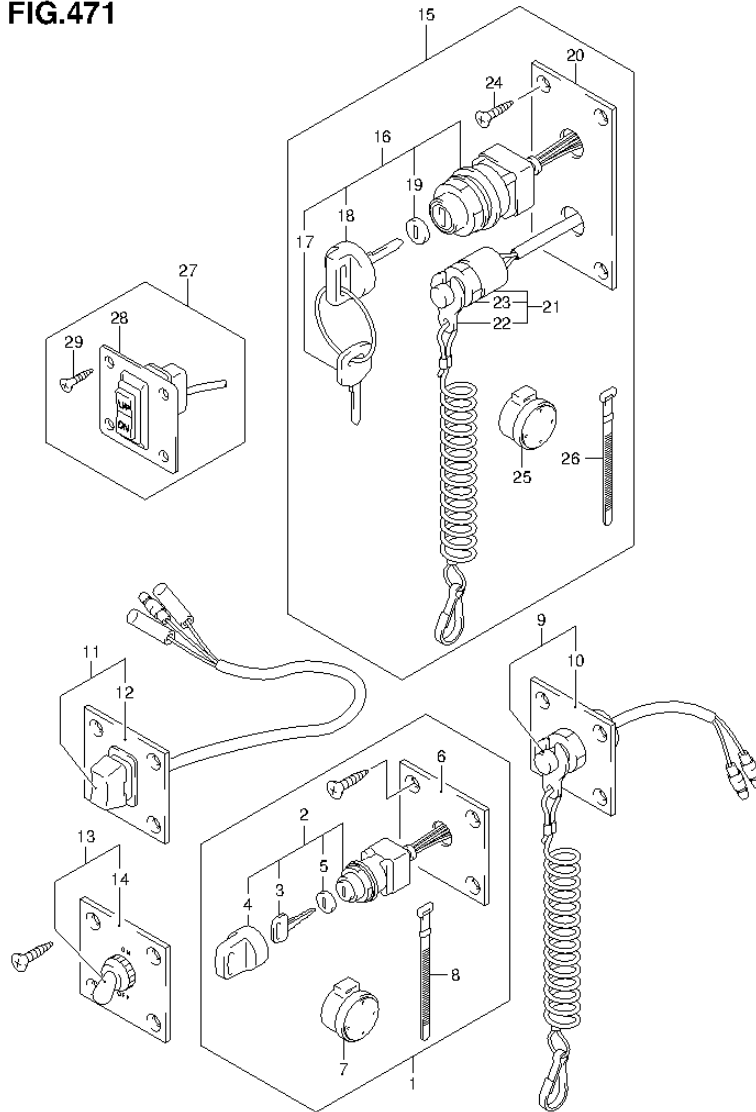


FIG.471 (4-J-5) OPT:SWITCH (DF50AVT E01)

REF NO.	PART NO.	DESCRIPTION	Q'TY	REMARKS
1	37100-96J00	PANEL ASSY, IGNITION SW	1	
2	37110-93J01	..SWITCH ASSY, IGNITION	1	
3-1	37141-99E00	..KEY (931)	2	
3-2	37141-99E10	..KEY (932)	2	
3-3	37141-99E20	..KEY (933)	2	
3-4	37141-99E30	..KEY (934)	2	
3-5	37141-99E40	..KEY (935)	2	
3-6	37141-99E50	..KEY (936)	2	
3-7	37141-99E60	..KEY (937)	2	
3-8	37141-99E70	..KEY (938)	2	
3-9	37141-99E80	..KEY (939)	2	
3-10	37141-99E90	..KEY (940)	2	
3-11	37141-99EA0	..KEY (941)	2	
3-12	37141-99EB0	..KEY (942)	2	
4	37143-99E00	..CAP, KEY	1	
5	37149-93J00	..CAP, CYLINDER BODY	1	
6	37139-99E00	..PANEL, IGNITION SW	1	
7	38500-93J90	..BUZZER ASSY, WARNING	1	
8	09407-08401	..CLAMP (L:80)	1	
9	37803-93J03	PANEL ASSY, EMERGENCY SW	1	
10	37825-99E00	..PANEL, EMERGENCY SW	1	
11	37805-93J00	PANEL ASSY, PTT SW	1	
12	37855-99E00	..PANEL, PTT SW	1	
13	37210-93J00	PANEL ASSY, LIGHTING SW	1	
14	37212-93J00	..PANEL, LIGHTING SW	1	
15	37100-96J23	PANEL ASSY, ENGINE SW	1	
16	37110-93J01	..SWITCH ASSY, IGNITION	1	
17-1	37141-99E00	..KEY (931)	2	
17-2	37141-99E10	..KEY (932)	2	
17-3	37141-99E20	..KEY (933)	2	
17-4	37141-99E30	..KEY (934)	2	
17-5	37141-99E40	..KEY (935)	2	
17-6	37141-99E50	..KEY (936)	2	
17-7	37141-99E60	..KEY (937)	2	

FIG.471

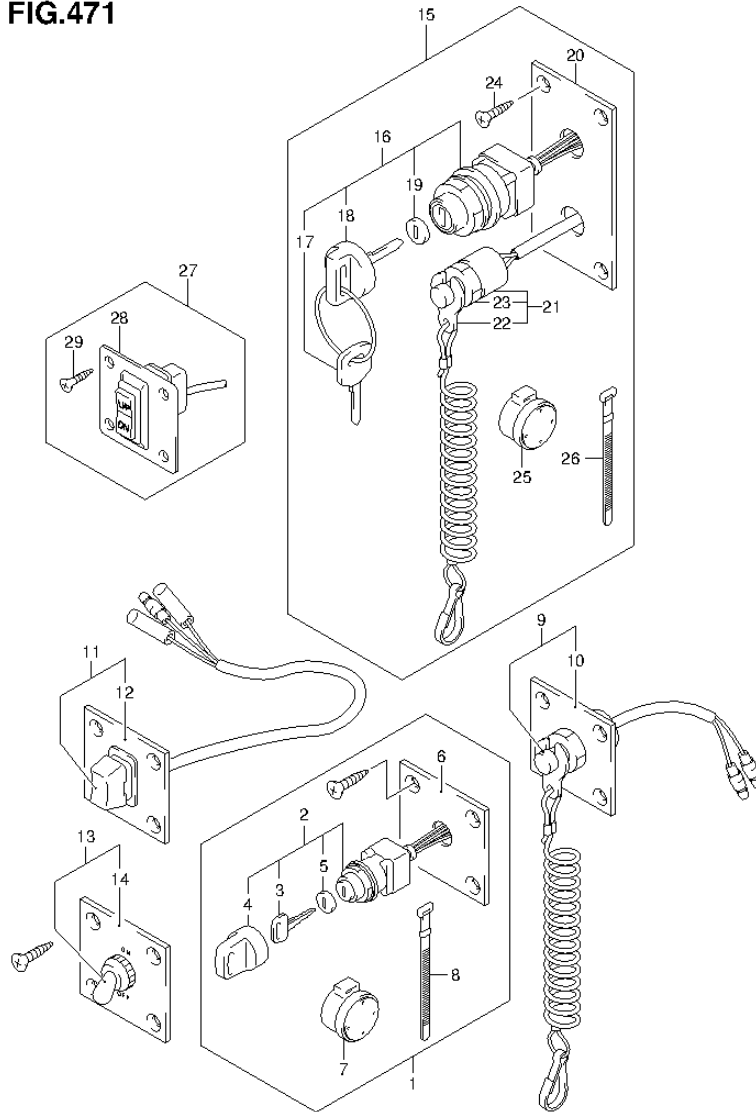


FIG.471 (4-J-6) OPT:SWITCH (DF50AVT E01)

REF NO.	PART NO.	DESCRIPTION	Q'TY	REMARKS
17-8	37141-99E70	..KEY (938)	2	
17-9	37141-99E80	..KEY (939)	2	
17-10	37141-99E90	..KEY (940)	2	
17-11	37141-99EA0	..KEY (941)	2	
17-12	37141-99EB0	..KEY (942)	2	
18	37143-99E00	..CAP, KEY	1	
19	37149-93J00	..CAP, CYLINDER BODY	1	
20	37139-99E20	..PANEL, IGNITION SWITCH	1	
21	37820-93J03	..SWITCH ASSY, EMERGENCY	1	
22	37823-92E01	..PLATE ASSY, EMERGENCY	1	
23	37826-92E00	..NUT	1	
24	03121-0516A	..SCREW	4	
25	38500-93J90	..BUZZER ASSY, WARNING	1	
26	09407-08401	..CLAMP (L:80)	1	
27	37860-87L00	PANEL ASSY, TROLLING CONTROL	1	
28	37862-87L00	..PANEL	1	
29	09131-05004	..SCREW (5X16)	4	

FIG.472

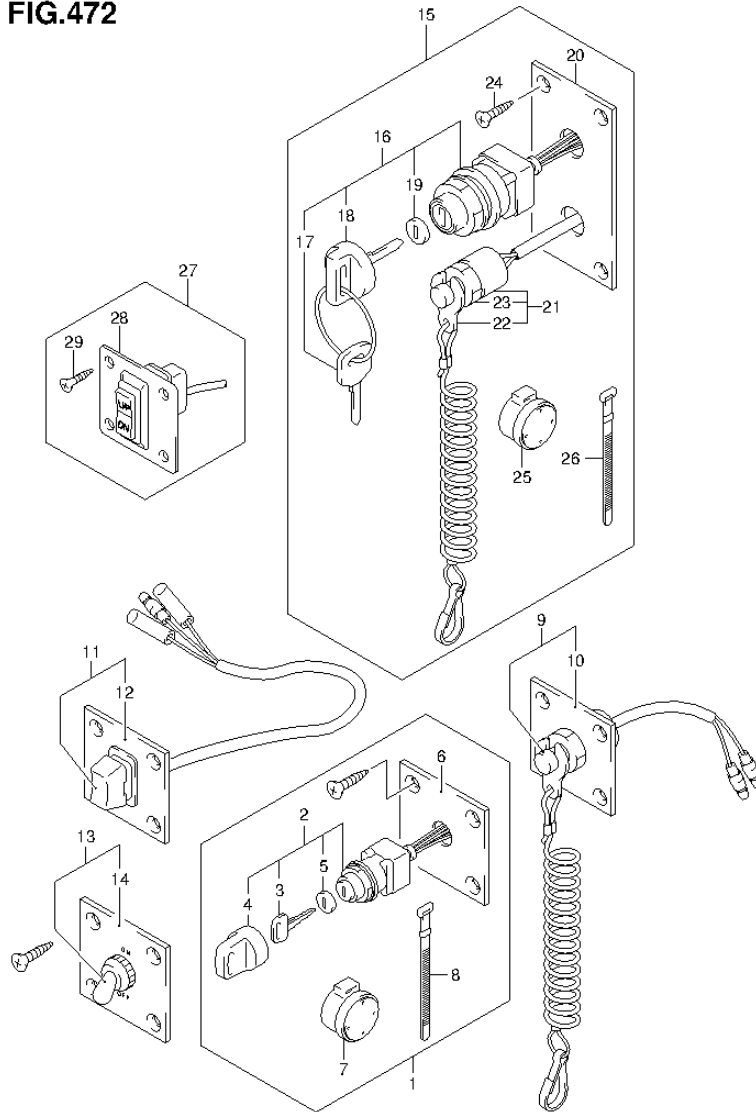


FIG.472 (4-J-7) OPT:SWITCH (DF60AVT E01)

REF NO.	PART NO.	DESCRIPTION	Q'TY	REMARKS
1	37100-96J00	PANEL ASSY, IGNITION SW	1	
2	37110-93J01	..SWITCH ASSY, IGNITION	1	
3-1	37141-99E00	..KEY (931)	2	
3-2	37141-99E10	..KEY (932)	2	
3-3	37141-99E20	..KEY (933)	2	
3-4	37141-99E30	..KEY (934)	2	
3-5	37141-99E40	..KEY (935)	2	
3-6	37141-99E50	..KEY (936)	2	
3-7	37141-99E60	..KEY (937)	2	
3-8	37141-99E70	..KEY (938)	2	
3-9	37141-99E80	..KEY (939)	2	
3-10	37141-99E90	..KEY (940)	2	
3-11	37141-99EA0	..KEY (941)	2	
3-12	37141-99EB0	..KEY (942)	2	
4	37143-99E00	..CAP, KEY	1	
5	37149-93J00	..CAP, CYLINDER BODY	1	
6	37139-99E00	..PANEL, IGNITION SW	1	
7	38500-93J90	..BUZZER ASSY, WARNING	1	
8	09407-08401	..CLAMP (L:80)	1	
9	37803-93J03	PANEL ASSY, EMERGENCY SW	1	
10	37825-99E00	..PANEL, EMERGENCY SW	1	
11	37805-93J00	PANEL ASSY, PTT SW	1	
12	37855-99E00	..PANEL, PTT SW	1	
13	37210-93J00	PANEL ASSY, LIGHTING SW	1	
14	37212-93J00	..PANEL, LIGHTING SW	1	
15	37100-96J23	PANEL ASSY, ENGINE SW	1	
16	37110-93J01	..SWITCH ASSY, IGNITION	1	
17-1	37141-99E00	..KEY (931)	2	
17-2	37141-99E10	..KEY (932)	2	
17-3	37141-99E20	..KEY (933)	2	
17-4	37141-99E30	..KEY (934)	2	
17-5	37141-99E40	..KEY (935)	2	
17-6	37141-99E50	..KEY (936)	2	
17-7	37141-99E60	..KEY (937)	2	

FIG.472

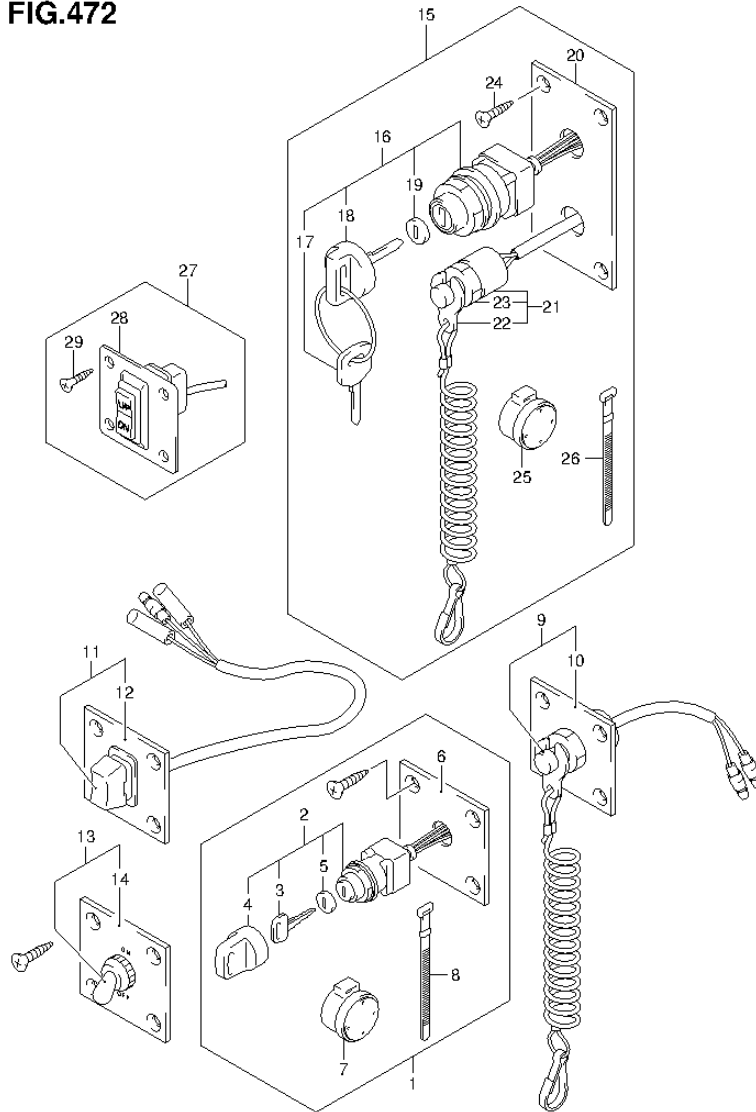


FIG.472 (4-J-8) OPT:SWITCH (DF60AVT E01)

REF NO.	PART NO.	DESCRIPTION	Q'TY	REMARKS
17-8	37141-99E70	..KEY (938)	2	
17-9	37141-99E80	..KEY (939)	2	
17-10	37141-99E90	..KEY (940)	2	
17-11	37141-99EA0	..KEY (941)	2	
17-12	37141-99EB0	..KEY (942)	2	
18	37143-99E00	..CAP, KEY	1	
19	37149-93J00	..CAP, CYLINDER BODY	1	
20	37139-99E20	..PANEL, IGNITION SWITCH	1	
21	37820-93J03	..SWITCH ASSY, EMERGENCY	1	
22	37823-92E01	..PLATE ASSY, EMERGENCY	1	
23	37826-92E00	..NUT	1	
24	03121-0516A	..SCREW	4	
25	38500-93J90	..BUZZER ASSY, WARNING	1	
26	09407-08401	..CLAMP (L:80)	1	
27	37860-87L00	PANEL ASSY, TROLLING CONTROL	1	
28	37862-87L00	..PANEL	1	
29	09131-05004	..SCREW (5X16)	4	

FIG.473

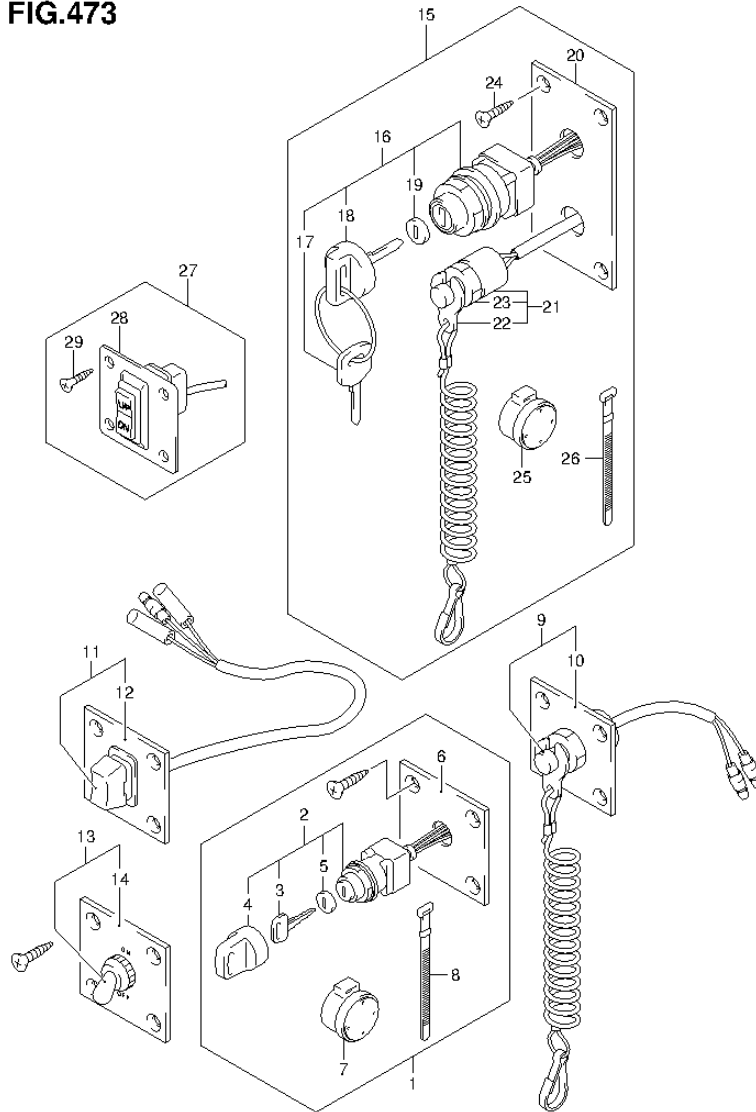
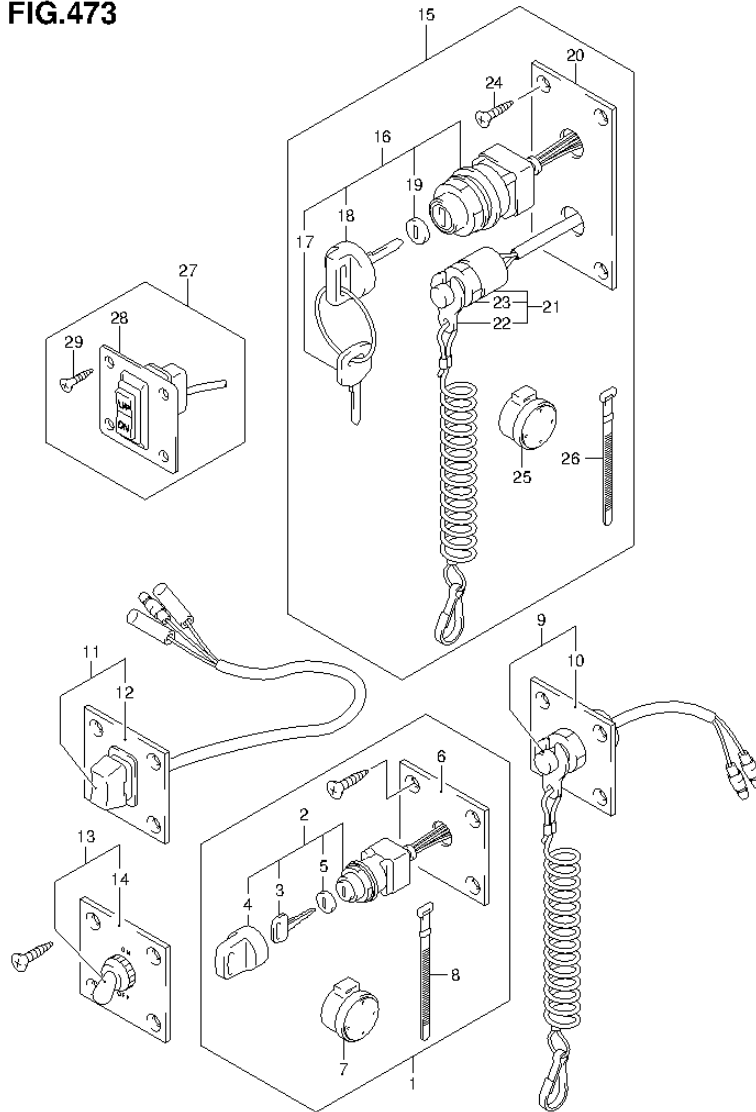


FIG.473 (4-J-9) OPT:SWITCH (DF60AVT E40)

REF NO.	PART NO.	DESCRIPTION	Q'TY	REMARKS
1	37100-96J00	PANEL ASSY, IGNITION SW	1	
2	37110-93J01	..SWITCH ASSY, IGNITION	1	
3-1	37141-99E00	..KEY (931)	2	
3-2	37141-99E10	..KEY (932)	2	
3-3	37141-99E20	..KEY (933)	2	
3-4	37141-99E30	..KEY (934)	2	
3-5	37141-99E40	..KEY (935)	2	
3-6	37141-99E50	..KEY (936)	2	
3-7	37141-99E60	..KEY (937)	2	
3-8	37141-99E70	..KEY (938)	2	
3-9	37141-99E80	..KEY (939)	2	
3-10	37141-99E90	..KEY (940)	2	
3-11	37141-99EA0	..KEY (941)	2	
3-12	37141-99EB0	..KEY (942)	2	
4	37143-99E00	..CAP, KEY	1	
5	37149-93J00	..CAP, CYLINDER BODY	1	
6	37139-99E00	..PANEL, IGNITION SW	1	
7	38500-93J90	..BUZZER ASSY, WARNING	1	
8	09407-08401	..CLAMP (L:80)	1	
9	37803-93J03	PANEL ASSY, EMERGENCY SW	1	
10	37825-99E00	..PANEL, EMERGENCY SW	1	
11	37805-93J00	PANEL ASSY, PTT SW	1	
12	37855-99E00	..PANEL, PTT SW	1	
13	37210-93J00	PANEL ASSY, LIGHTING SW	1	
14	37212-93J00	..PANEL, LIGHTING SW	1	
15	37100-96J23	PANEL ASSY, ENGINE SW	1	
16	37110-93J01	..SWITCH ASSY, IGNITION	1	
17-1	37141-99E00	..KEY (931)	2	
17-2	37141-99E10	..KEY (932)	2	
17-3	37141-99E20	..KEY (933)	2	
17-4	37141-99E30	..KEY (934)	2	
17-5	37141-99E40	..KEY (935)	2	
17-6	37141-99E50	..KEY (936)	2	
17-7	37141-99E60	..KEY (937)	2	

FIG.473



DF60A_E01_014_473
OPT:SWITCH

FIG.473 (4-J-10) OPT:SWITCH (DF60AVT E40)

REF NO.	PART NO.	DESCRIPTION	Q'TY	REMARKS
17-8	37141-99E70	..KEY (938)	2	
17-9	37141-99E80	..KEY (939)	2	
17-10	37141-99E90	..KEY (940)	2	
17-11	37141-99EA0	..KEY (941)	2	
17-12	37141-99EB0	..KEY (942)	2	
18	37143-99E00	..CAP, KEY	1	
19	37149-93J00	..CAP, CYLINDER BODY	1	
20	37139-99E20	..PANEL, IGNITION SWITCH	1	
21	37820-93J03	..SWITCH ASSY, EMERGENCY	1	
22	37823-92E01	..PLATE ASSY, EMERGENCY	1	
23	37826-92E00	..NUT	1	
24	03121-0516A	..SCREW	4	
25	38500-93J90	..BUZZER ASSY, WARNING	1	
26	09407-08401	..CLAMP (L:80)	1	
27	37860-87L00	PANEL ASSY, TROLLING CONTROL	1	
28	37862-87L00	..PANEL	1	
29	09131-05004	..SCREW (5X16)	4	

DF60A_E01_014

FIG.474

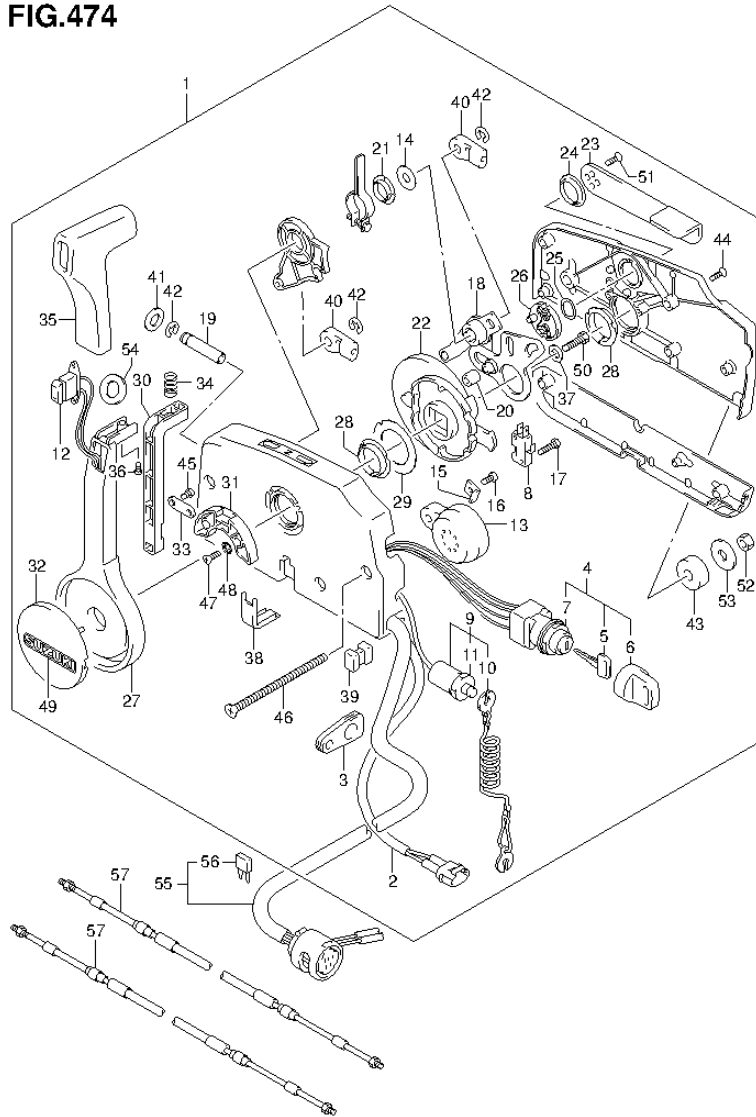
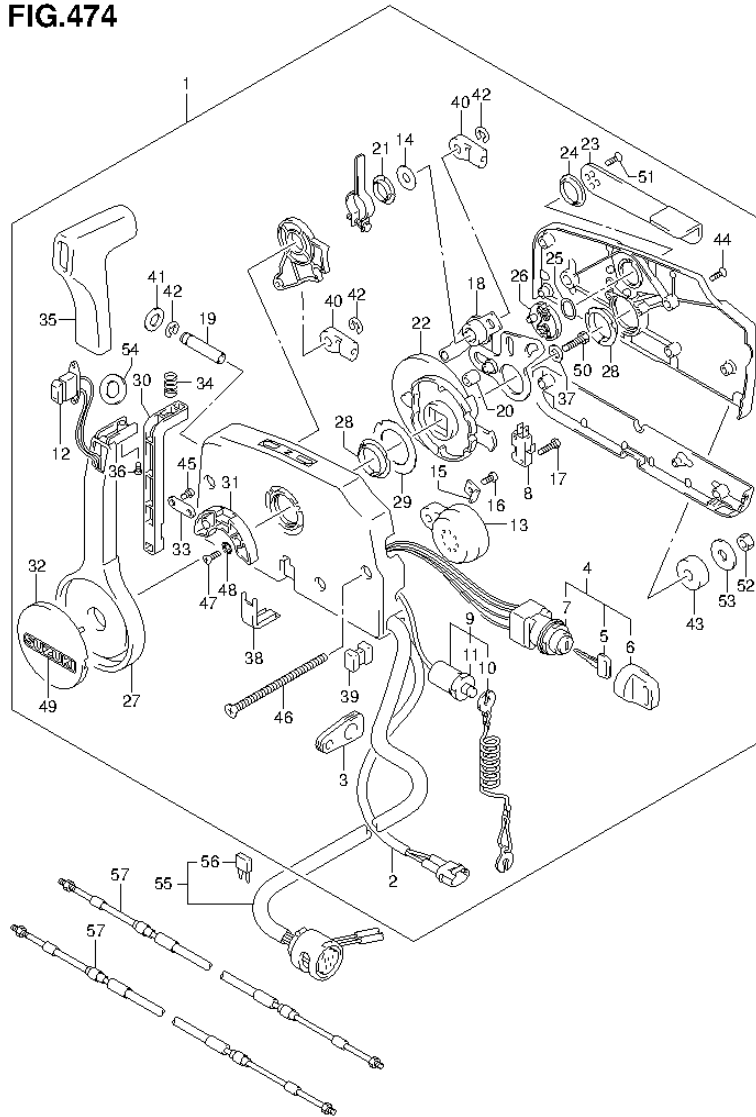


FIG.474 (4-J-11) OPT:REMOTE CONTROL (DF40A E01)

REF NO.	PART NO.	DESCRIPTION	Q'TY	REMARKS
1	67200-93J06	REMOTE CONTROL ASSY	1	
2	36646-93J01	..WIRE ASSY, PTT SW ADAPTER	1	
3	36628-92E00	..GROMMET, WIRE HARNESS	1	
4	37110-93J11	..SWITCH ASSY, IGNITION	1	
5-1	37141-99E00	..KEY (931)	2	
5-2	37141-99E10	..KEY (932)	2	
5-3	37141-99E20	..KEY (933)	2	
5-4	37141-99E30	..KEY (934)	2	
5-5	37141-99E40	..KEY (935)	2	
5-6	37141-99E50	..KEY (936)	2	
5-7	37141-99E60	..KEY (937)	2	
5-8	37141-99E70	..KEY (938)	2	
5-9	37141-99E80	..KEY (939)	2	
5-10	37141-99E90	..KEY (940)	2	
5-11	37141-99EA0	..KEY (941)	2	
5-12	37141-99EB0	..KEY (942)	2	
6	37143-99E00	..CAP, KEY	2	
7	37149-93J00	..CAP CYLINDER BODY	1	
8	37721-93J91	..SWITCH, NEUTRAL	1	
9	37820-93J03	..SWITCH ASSY, EMERGENCY	1	
10	37823-92E01	..PLATE	1	
11	37826-92E00	..NUT	1	
12	37850-90J05	..SWITCH ASSY, PTT	1	
13	38500-93J90	..BUZZER	1	
14	67212-95600	..WASHER	1	
15	67213-92E00	..BRACKET, BUZZER	1	
16	09125-05042	..SCREW (5X10)	1	
17	67296-92E11	..SCREW, NEUTRAL SW	2	
18	67220-95630	..PLATE ASSY	1	
19	67223-99E10	..KNOB, BRAKE ADJ	1	
20	67229-95600	..ROLLER	1	
21	67232-95600	..BUSH	1	
22	67238-87D00	..GEAR, DRIVE	1	
23	67241-99E10	..LEVER, FREE THROTTLE	1	

FIG.474



DF60A_E01_014_474
OPT:REMOTE CONTROL

FIG.474 (4-J-12) OPT:REMOTE CONTROL (DF40A E01)

REF NO.	PART NO.	DESCRIPTION	Q'TY	REMARKS
24	67243-95600	.BUSH	1	
25	67244-95600	.WASHER, WAVE	1	
26	67245-95600	.DRUM, FREE THROTTLE	1	
27	67251-99E10	.LEVER, HANDLE	1	
28	67252-95600	.BUSH	2	
29	67253-95600	.WASHER	1	
30	67255-99E00	.ARM, LOCK	1	
31	67256-95600	.HOLDER, NEUT LOCK	1	
32	67257-99E00	.CAP, LEVER	1	
33	67258-99E00	.BRACKET, LOCK ARM	1	
34	67259-87D00	.SPRING, NEUTRAL ARM	1	
35	67261-99E00	.GRIP	1	
36	67296-94310	.SCREW	1	
37	67264-95600	.WASHER	1	
38	67267-93J00	.COVER, WIRE	1	
39	67273-95600	.SPACER	1	
40	67275-95600	.END, CABLE	2	
41	67288-92E00	.WASHER, BRAKE ADJ KNOB	1	
42	67292-94300	E RING	3	
43	67294-95600	.SPACER	3	
44	67296-90J00	.SCREW	5	
45	67296-94300	.SCREW	2	
46	67296-95600	.SCREW	3	
47	67296-95610	.SCREW	2	
48	67297-95600	.WASHER	2	
49	68165-16B00-13L	.EMBLEM (SILVER)	1	
50	09100-08232	.BOLT (8X30)	1	
51	09126-05003	.SCREW (5X12)	2	
52	09140-06020	.NUT	3	
53	09160-06104	.WASHER (6.5X24X2)	3	
54	37859-90J00	.SPACER	1	
55	36620-93J02	WIRE ASSY, REMOTE CONTROL	1	L:5000
56	09481-10501	.FUSE (10A)	1	
57-1	67320-93J00	CABLE ASSY, REMOCON (8F:2.4M)	2	

DF60A_E01_014

FIG.474

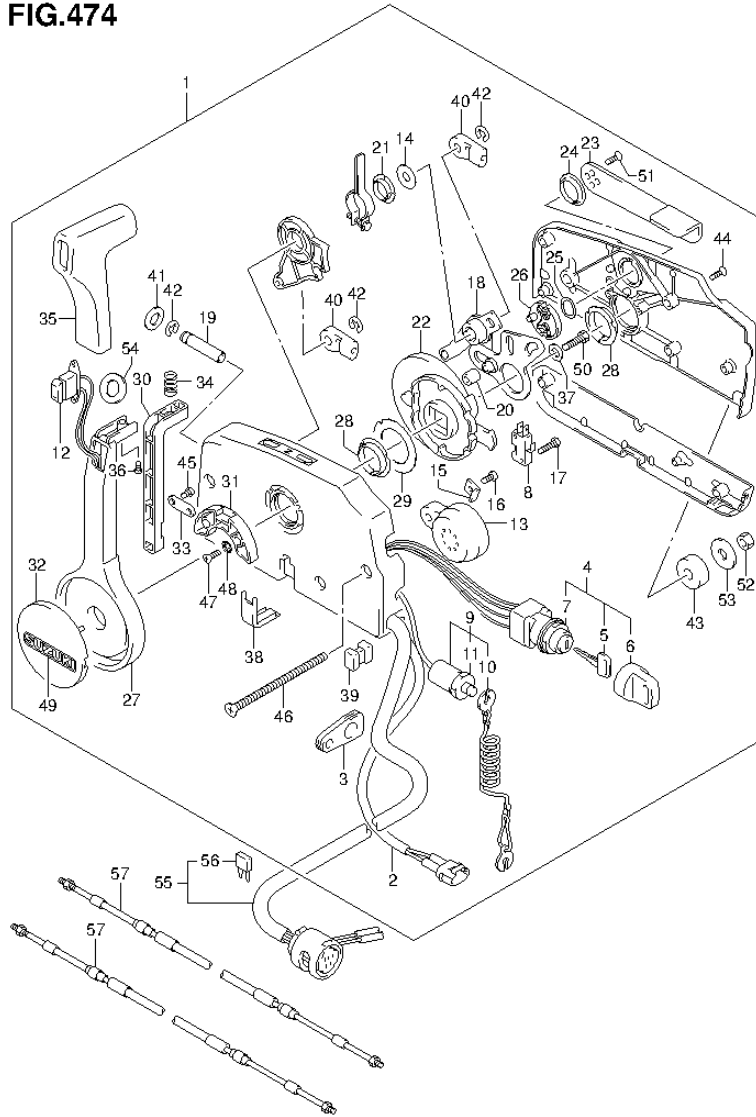


FIG.474 (4-J-13) OPT:REMOTE CONTROL (DF40A E01)

REF NO.	PART NO.	DESCRIPTION	Q'TY	REMARKS
57-2	67320-93J10	CABLE ASSY, REMOCON (10F:3.1M)	2	
57-3	67320-93J20	CABLE ASSY, REMOCON (12F:3.7M)	2	
57-4	67320-93J30	CABLE ASSY, REMOCON (14F:4.2M)	2	
57-5	67320-93J40	CABLE ASSY, REMOCON (16F:4.8M)	2	
57-6	67320-93J50	CABLE ASSY, REMOCON (18F:5.4M)	2	
57-7	67320-93J60	CABLE ASSY, REMOCON (20F:6.1M)	2	
57-8	67320-93J70	CABLE ASSY, REMOCON (22F:6.7M)	2	
57-9	67320-93J80	CABLE ASSY, REMOCON (24F:7.3M)	2	

FIG.475

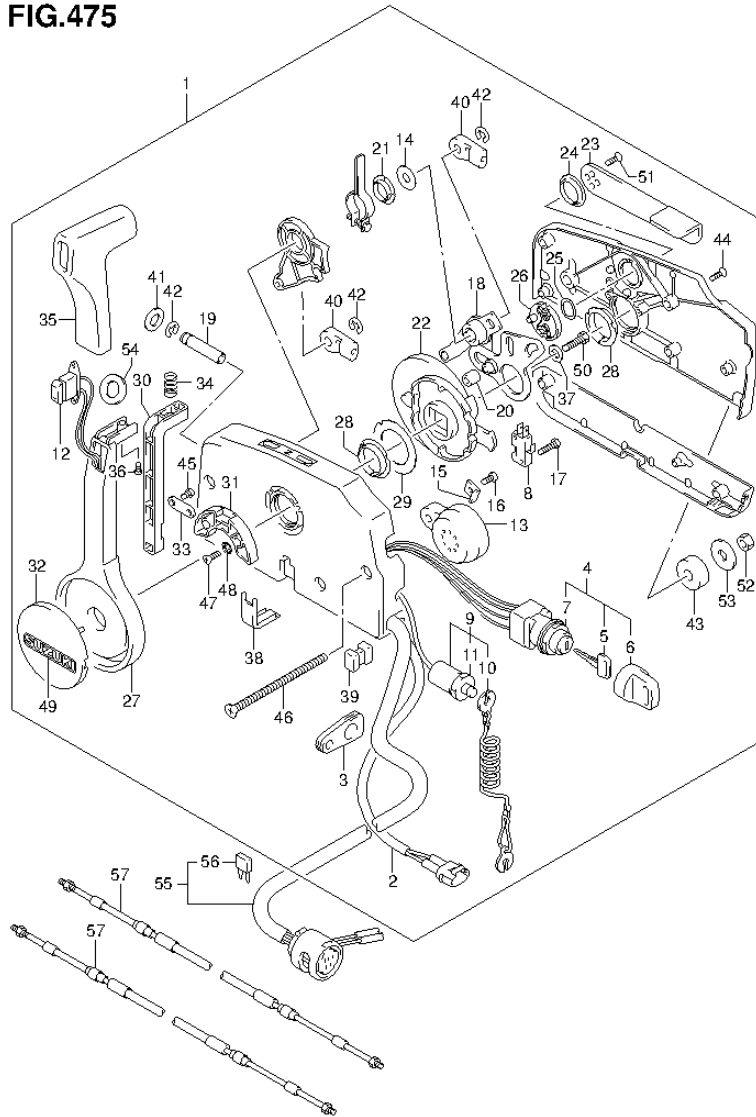


FIG.475 (4-J-14) OPT:REMOTE CONTROL (DF40AST E34)

REF NO.	PART NO.	DESCRIPTION	Q'TY	REMARKS
1	67200-93J06	REMOTE CONTROL ASSY	1	
2	36646-93J01	..WIRE ASSY, PTT SW ADAPTER	1	
3	36628-92E00	..GROMMET, WIRE HARNESS	1	
4	37110-93J11	..SWITCH ASSY, IGNITION	1	
5-1	37141-99E00	..KEY (931)	2	
5-2	37141-99E10	..KEY (932)	2	
5-3	37141-99E20	..KEY (933)	2	
5-4	37141-99E30	..KEY (934)	2	
5-5	37141-99E40	..KEY (935)	2	
5-6	37141-99E50	..KEY (936)	2	
5-7	37141-99E60	..KEY (937)	2	
5-8	37141-99E70	..KEY (938)	2	
5-9	37141-99E80	..KEY (939)	2	
5-10	37141-99E90	..KEY (940)	2	
5-11	37141-99EA0	..KEY (941)	2	
5-12	37141-99EB0	..KEY (942)	2	
6	37143-99E00	..CAP, KEY	2	
7	37149-93J00	..CAP CYLINDER BODY	1	
8	37721-93J91	..SWITCH, NEUTRAL	1	
9	37820-93J03	..SWITCH ASSY, EMERGENCY	1	
10	37823-92E01	..PLATE	1	
11	37826-92E00	..NUT	1	
12	37850-90J05	..SWITCH ASSY, PTT	1	
13	38500-93J90	..BUZZER	1	
14	67212-95600	..WASHER	1	
15	67213-92E00	..BRACKET, BUZZER	1	
16	09125-05042	..SCREW (5X10)	1	
17	67296-92E11	..SCREW, NEUTRAL SW	2	
18	67220-95630	..PLATE ASSY	1	
19	67223-99E10	..KNOB, BRAKE ADJ	1	
20	67229-95600	..ROLLER	1	
21	67232-95600	..BUSH	1	
22	67238-87D00	..GEAR, DRIVE	1	
23	67241-99E10	..LEVER, FREE THROTTLE	1	

FIG.475

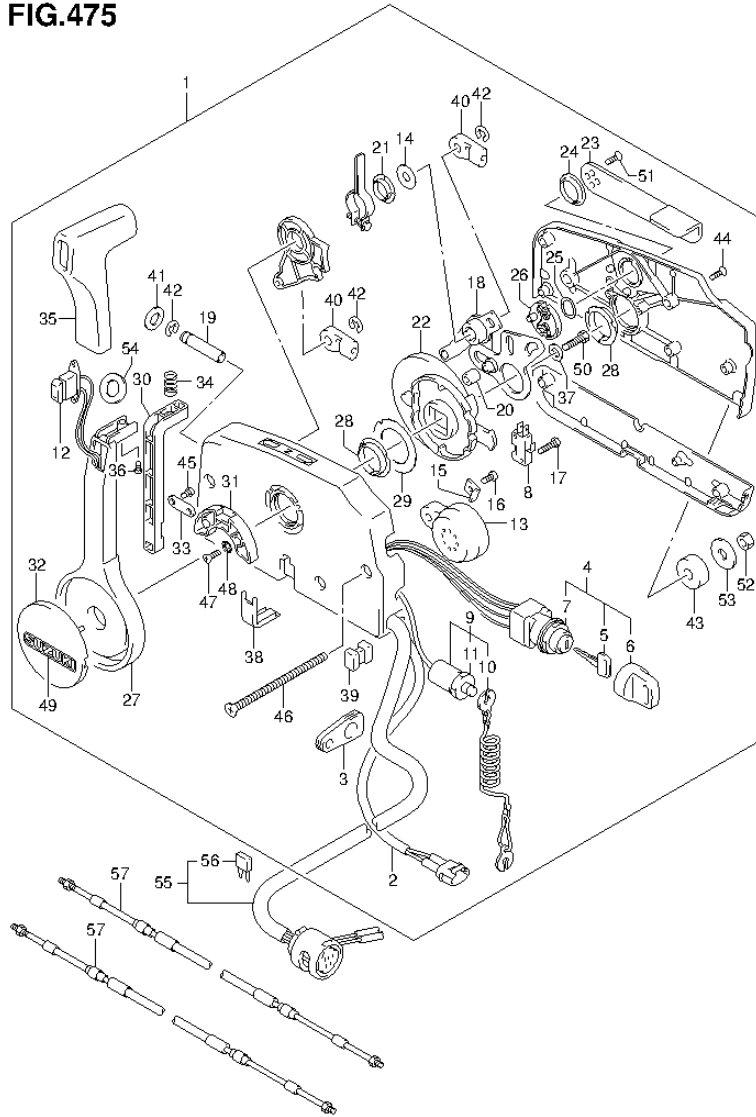


FIG.475 (4-J-15) OPT:REMOTE CONTROL (DF40AST E34)

REF NO.	PART NO.	DESCRIPTION	Q'TY	REMARKS
24	67243-95600	.BUSH	1	
25	67244-95600	.WASHER, WAVE	1	
26	67245-95600	.DRUM, FREE THROTTLE	1	
27	67251-99E10	.LEVER, HANDLE	1	
28	67252-95600	.BUSH	2	
29	67253-95600	.WASHER	1	
30	67255-99E00	.ARM, LOCK	1	
31	67256-95600	.HOLDER, NEUT LOCK	1	
32	67257-99E00	.CAP, LEVER	1	
33	67258-99E00	.BRACKET, LOCK ARM	1	
34	67259-87D00	.SPRING, NEUTRAL ARM	1	
35	67261-99E00	.GRIP	1	
36	67296-94310	.SCREW	1	
37	67264-95600	.WASHER	1	
38	67267-93J00	.COVER, WIRE	1	
39	67273-95600	.SPACER	1	
40	67275-95600	.END, CABLE	2	
41	67288-92E00	.WASHER, BRAKE ADJ KNOB	1	
42	67292-94300	E RING	3	
43	67294-95600	.SPACER	3	
44	67296-90J00	.SCREW	5	
45	67296-94300	.SCREW	2	
46	67296-95600	.SCREW	3	
47	67296-95610	.SCREW	2	
48	67297-95600	.WASHER	2	
49	68165-16B00-13L	.EMBLEM (SILVER)	1	
50	09100-08232	.BOLT (8X30)	1	
51	09126-05003	.SCREW (5X12)	2	
52	09140-06020	.NUT	3	
53	09160-06104	.WASHER (6.5X24X2)	3	
54	37859-90J00	.SPACER	1	
55	36620-93J02	WIRE ASSY, REMOTE CONTROL	1	L:5000
56	09481-10501	.FUSE (10A)	1	
57-1	67320-93J00	CABLE ASSY, REMOCON (8F:2.4M)	2	

FIG.475

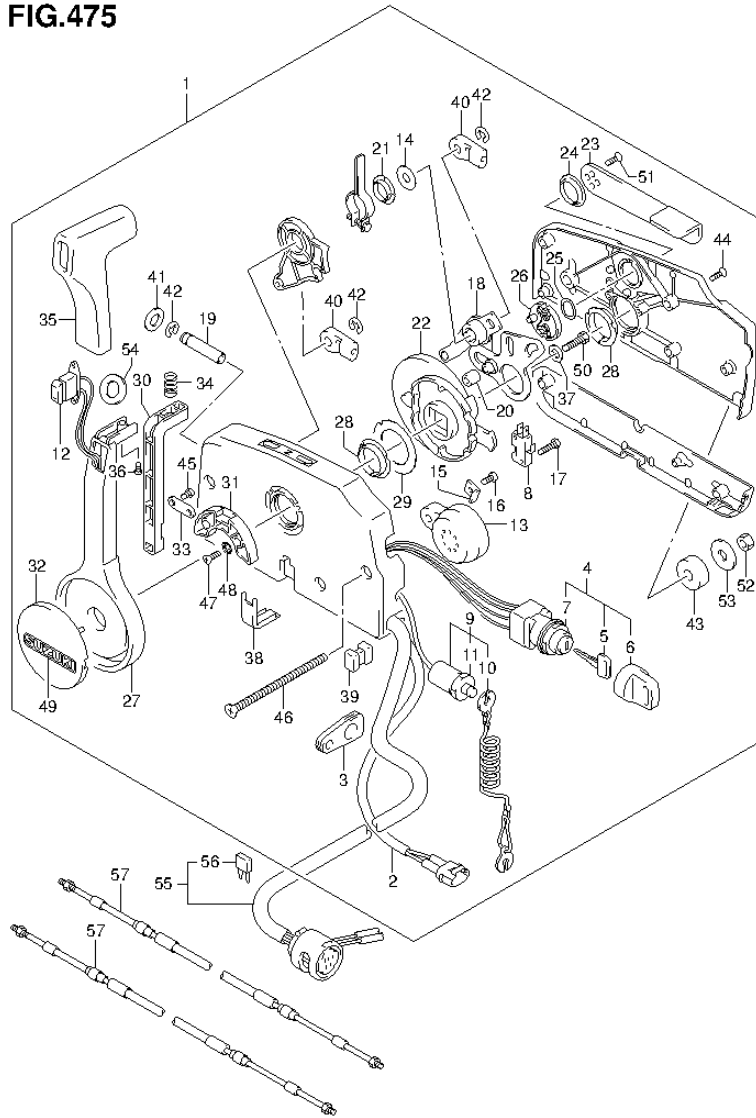


FIG.475 (4-K-2) OPT:REMOTE CONTROL (DF40AST E34)

REF NO.	PART NO.	DESCRIPTION	Q'TY	REMARKS
57-2	67320-93J10	CABLE ASSY, REMOCON (10F:3.1M)	2	
57-3	67320-93J20	CABLE ASSY, REMOCON (12F:3.7M)	2	
57-4	67320-93J30	CABLE ASSY, REMOCON (14F:4.2M)	2	
57-5	67320-93J40	CABLE ASSY, REMOCON (16F:4.8M)	2	
57-6	67320-93J50	CABLE ASSY, REMOCON (18F:5.4M)	2	
57-7	67320-93J60	CABLE ASSY, REMOCON (20F:6.1M)	2	
57-8	67320-93J70	CABLE ASSY, REMOCON (22F:6.7M)	2	
57-9	67320-93J80	CABLE ASSY, REMOCON (24F:7.3M)	2	

FIG.476

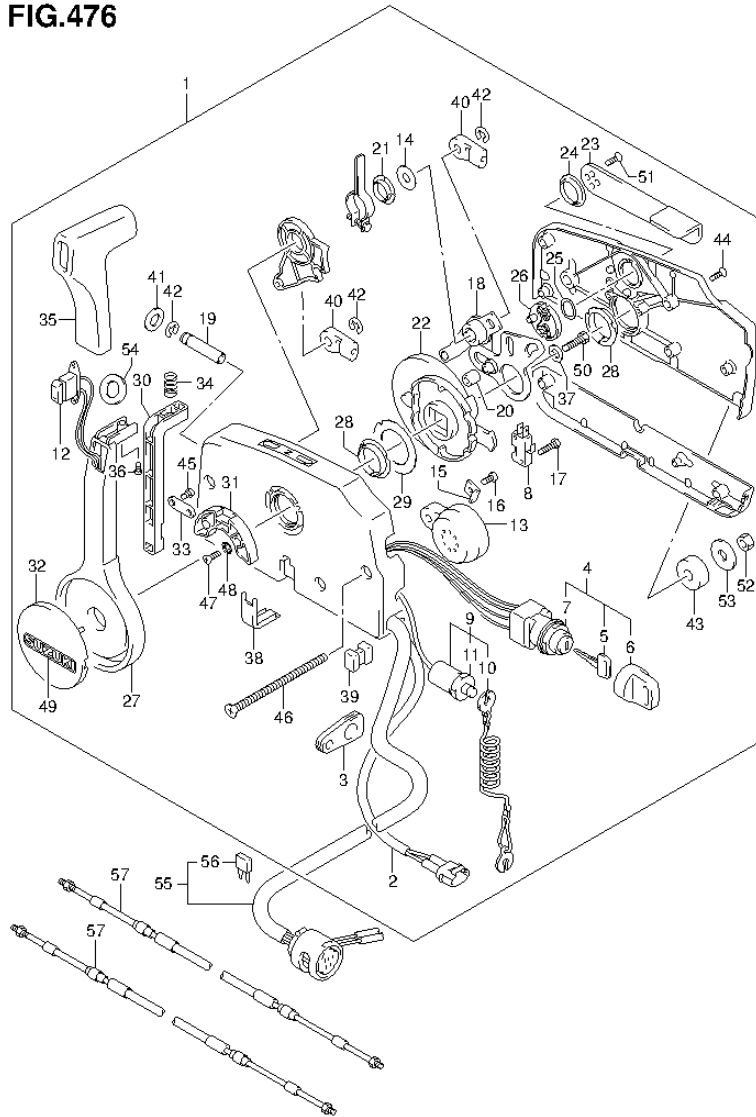
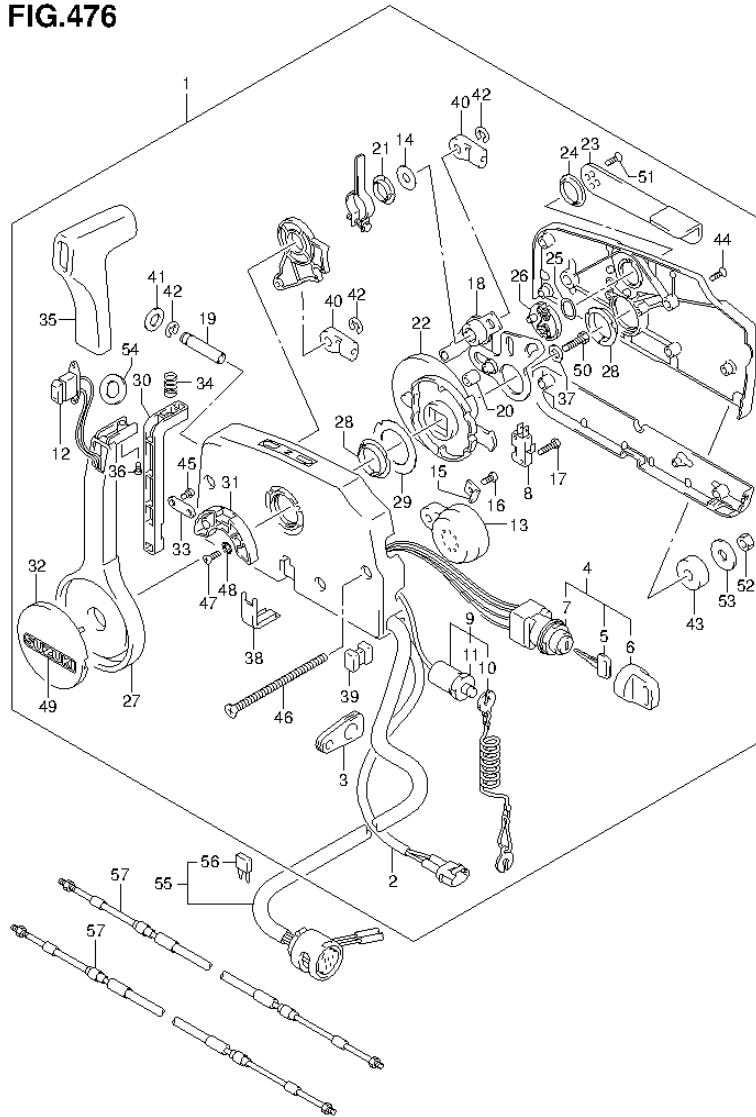


FIG.476 (4-K-3) OPT:REMOTE CONTROL (DF50A E01)

REF NO.	PART NO.	DESCRIPTION	Q'TY	REMARKS
1	67200-93J06	REMOTE CONTROL ASSY	1	
2	36646-93J01	..WIRE ASSY, PTT SW ADAPTER	1	
3	36628-92E00	..GROMMET, WIRE HARNESS	1	
4	37110-93J11	..SWITCH ASSY, IGNITION	1	
5-1	37141-99E00	..KEY (931)	2	
5-2	37141-99E10	..KEY (932)	2	
5-3	37141-99E20	..KEY (933)	2	
5-4	37141-99E30	..KEY (934)	2	
5-5	37141-99E40	..KEY (935)	2	
5-6	37141-99E50	..KEY (936)	2	
5-7	37141-99E60	..KEY (937)	2	
5-8	37141-99E70	..KEY (938)	2	
5-9	37141-99E80	..KEY (939)	2	
5-10	37141-99E90	..KEY (940)	2	
5-11	37141-99EA0	..KEY (941)	2	
5-12	37141-99EB0	..KEY (942)	2	
6	37143-99E00	..CAP, KEY	2	
7	37149-93J00	..CAP CYLINDER BODY	1	
8	37721-93J91	..SWITCH, NEUTRAL	1	
9	37820-93J03	..SWITCH ASSY, EMERGENCY	1	
10	37823-92E01	..PLATE	1	
11	37826-92E00	..NUT	1	
12	37850-90J05	..SWITCH ASSY, PTT	1	
13	38500-93J90	..BUZZER	1	
14	67212-95600	..WASHER	1	
15	67213-92E00	..BRACKET, BUZZER	1	
16	09125-05042	..SCREW (5X10)	1	
17	67296-92E11	..SCREW, NEUTRAL SW	2	
18	67220-95630	..PLATE ASSY	1	
19	67223-99E10	..KNOB, BRAKE ADJ	1	
20	67229-95600	..ROLLER	1	
21	67232-95600	..BUSH	1	
22	67238-87D00	..GEAR, DRIVE	1	
23	67241-99E10	..LEVER, FREE THROTTLE	1	

FIG.476



DF60A_E01_014_476
OPT:REMOTE CONTROL

FIG.476 (4-K-4) OPT:REMOTE CONTROL (DF50A E01)

REF NO.	PART NO.	DESCRIPTION	Q'TY	REMARKS
24	67243-95600	.BUSH	1	
25	67244-95600	.WASHER, WAVE	1	
26	67245-95600	.DRUM, FREE THROTTLE	1	
27	67251-99E10	.LEVER, HANDLE	1	
28	67252-95600	.BUSH	2	
29	67253-95600	.WASHER	1	
30	67255-99E00	.ARM, LOCK	1	
31	67256-95600	.HOLDER, NEUT LOCK	1	
32	67257-99E00	.CAP, LEVER	1	
33	67258-99E00	.BRACKET, LOCK ARM	1	
34	67259-87D00	.SPRING, NEUTRAL ARM	1	
35	67261-99E00	.GRIP	1	
36	67296-94310	.SCREW	1	
37	67264-95600	.WASHER	1	
38	67267-93J00	.COVER, WIRE	1	
39	67273-95600	.SPACER	1	
40	67275-95600	.END, CABLE	2	
41	67288-92E00	.WASHER, BRAKE ADJ KNOB	1	
42	67292-94300	E RING	3	
43	67294-95600	.SPACER	3	
44	67296-90J00	.SCREW	5	
45	67296-94300	.SCREW	2	
46	67296-95600	.SCREW	3	
47	67296-95610	.SCREW	2	
48	67297-95600	.WASHER	2	
49	68165-16B00-13L	.EMBLEM (SILVER)	1	
50	09100-08232	.BOLT (8X30)	1	
51	09126-05003	.SCREW (5X12)	2	
52	09140-06020	.NUT	3	
53	09160-06104	.WASHER (6.5X24X2)	3	
54	37859-90J00	.SPACER	1	
55	36620-93J02	WIRE ASSY, REMOTE CONTROL	1	L:5000
56	09481-10501	.FUSE (10A)	1	
57-1	67320-93J00	CABLE ASSY, REMOCON (8F:2.4M)	2	

DF60A_E01_014

FIG.476

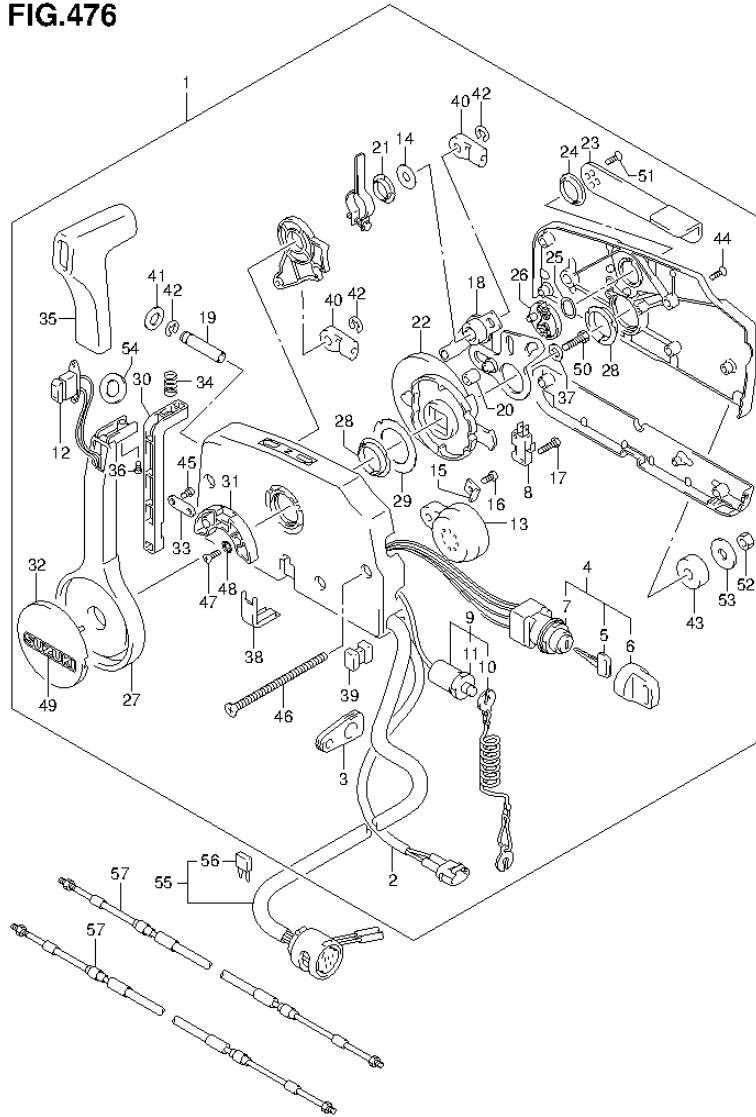


FIG.476 (4-K-5) OPT:REMOTE CONTROL (DF50A E01)

REF NO.	PART NO.	DESCRIPTION	Q'TY	REMARKS
57-2	67320-93J10	CABLE ASSY, REMOCON (10F:3.1M)	2	
57-3	67320-93J20	CABLE ASSY, REMOCON (12F:3.7M)	2	
57-4	67320-93J30	CABLE ASSY, REMOCON (14F:4.2M)	2	
57-5	67320-93J40	CABLE ASSY, REMOCON (16F:4.8M)	2	
57-6	67320-93J50	CABLE ASSY, REMOCON (18F:5.4M)	2	
57-7	67320-93J60	CABLE ASSY, REMOCON (20F:6.1M)	2	
57-8	67320-93J70	CABLE ASSY, REMOCON (22F:6.7M)	2	
57-9	67320-93J80	CABLE ASSY, REMOCON (24F:7.3M)	2	

FIG.477

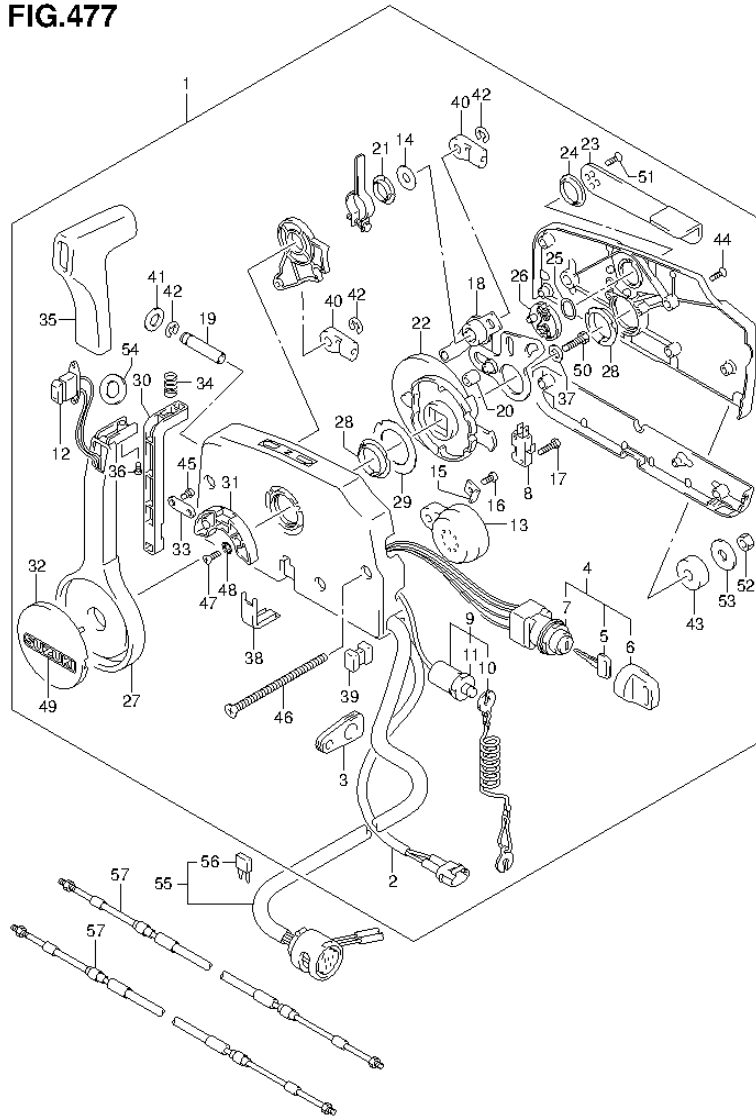
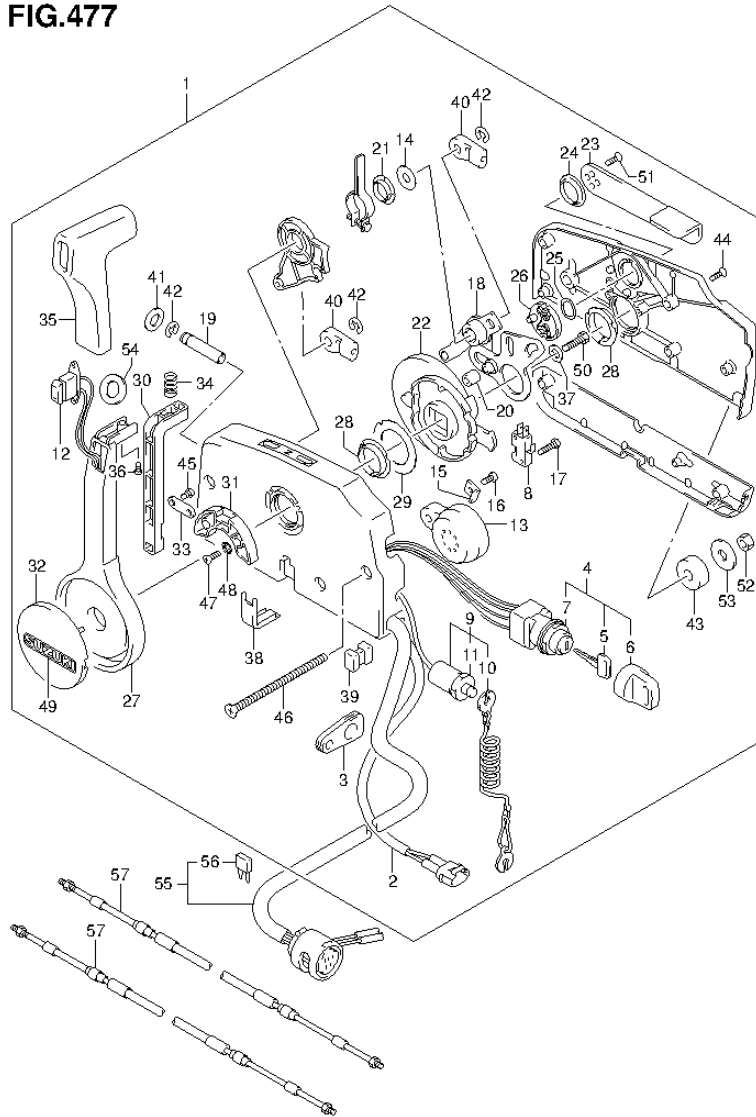


FIG.477 (4-K-6) OPT:REMOTE CONTROL (DF60A E01)

REF NO.	PART NO.	DESCRIPTION	Q'TY	REMARKS
1	67200-93J06	REMOTE CONTROL ASSY	1	
2	36646-93J01	..WIRE ASSY, PTT SW ADAPTER	1	
3	36628-92E00	..GROMMET, WIRE HARNESS	1	
4	37110-93J11	..SWITCH ASSY, IGNITION	1	
5-1	37141-99E00	..KEY (931)	2	
5-2	37141-99E10	..KEY (932)	2	
5-3	37141-99E20	..KEY (933)	2	
5-4	37141-99E30	..KEY (934)	2	
5-5	37141-99E40	..KEY (935)	2	
5-6	37141-99E50	..KEY (936)	2	
5-7	37141-99E60	..KEY (937)	2	
5-8	37141-99E70	..KEY (938)	2	
5-9	37141-99E80	..KEY (939)	2	
5-10	37141-99E90	..KEY (940)	2	
5-11	37141-99EA0	..KEY (941)	2	
5-12	37141-99EB0	..KEY (942)	2	
6	37143-99E00	..CAP, KEY	2	
7	37149-93J00	..CAP CYLINDER BODY	1	
8	37721-93J91	..SWITCH, NEUTRAL	1	
9	37820-93J03	..SWITCH ASSY, EMERGENCY	1	
10	37823-92E01	..PLATE	1	
11	37826-92E00	..NUT	1	
12	37850-90J05	..SWITCH ASSY, PTT	1	
13	38500-93J90	..BUZZER	1	
14	67212-95600	..WASHER	1	
15	67213-92E00	..BRACKET, BUZZER	1	
16	09125-05042	..SCREW (5X10)	1	
17	67296-92E11	..SCREW, NEUTRAL SW	2	@
18	67220-95630	..PLATE ASSY	1	
19	67223-99E10	..KNOB, BRAKE ADJ	1	
20	67229-95600	..ROLLER	1	
21	67232-95600	..BUSH	1	
22	67238-87D00	..GEAR, DRIVE	1	
23	67241-99E10	..LEVER, FREE THROTTLE	1	

FIG.477



DF60A_E01_014_477
OPT:REMOTE CONTROL

FIG.477 (4-K-7) OPT:REMOTE CONTROL (DF60A E01)

REF NO.	PART NO.	DESCRIPTION	Q'TY	REMARKS
24	67243-95600	.BUSH	1	
25	67244-95600	.WASHER, WAVE	1	
26	67245-95600	.DRUM, FREE THROTTLE	1	
27	67251-99E10	.LEVER, HANDLE	1	
28	67252-95600	.BUSH	2	
29	67253-95600	.WASHER	1	
30	67255-99E00	.ARM, LOCK	1	
31	67256-95600	.HOLDER, NEUT LOCK	1	
32	67257-99E00	.CAP, LEVER	1	
33	67258-99E00	.BRACKET, LOCK ARM	1	
34	67259-87D00	.SPRING, NEUTRAL ARM	1	
35	67261-99E00	.GRIP	1	
36	67296-94310	.SCREW	1	
37	67264-95600	.WASHER	1	
38	67267-93J00	.COVER, WIRE	1	
39	67273-95600	.SPACER	1	
40	67275-95600	.END, CABLE	2	
41	67288-92E00	.WASHER, BRAKE ADJ KNOB	1	
42	67292-94300	E RING	3	
43	67294-95600	.SPACER	3	
44	67296-90J00	.SCREW	5	
45	67296-94300	.SCREW	2	
46	67296-95600	.SCREW	3	
47	67296-95610	.SCREW	2	
48	67297-95600	.WASHER	2	
49	68165-16B00-13L	.EMBLEM (SILVER)	1	
50	09100-08232	.BOLT (8X30)	1	
51	09126-05003	.SCREW (5X12)	2	
52	09140-06020	.NUT	3	
53	09160-06104	.WASHER (6.5X24X2)	3	
54	37859-90J00	.SPACER	1	
55	36620-93J02	WIRE ASSY, REMOTE CONTROL	1	L:5000
56	09481-10501	.FUSE (10A)	1	
57-1	67320-93J00	CABLE ASSY, REMOCON (8F:2.4M)	2	

DF60A_E01_014

FIG.477

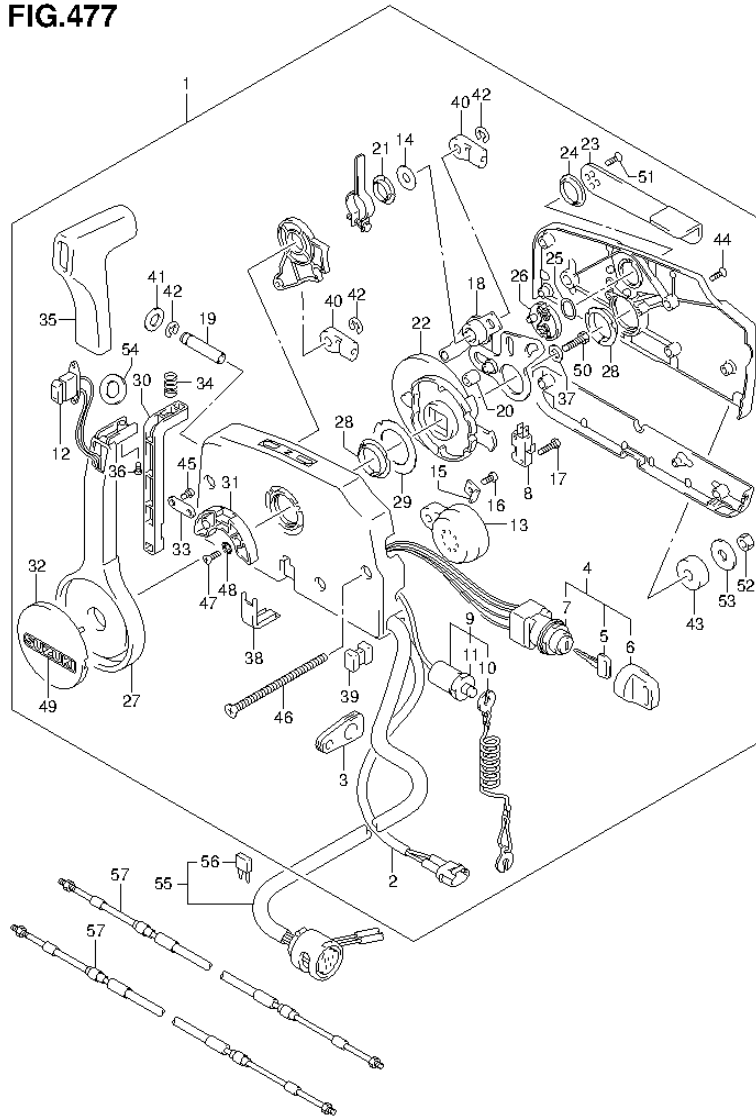


FIG.477 (4-K-8) OPT:REMOTE CONTROL (DF60A E01)

REF NO.	PART NO.	DESCRIPTION	Q'TY	REMARKS
57-2	67320-93J10	CABLE ASSY, REMOCON (10F:3.1M)	2	
57-3	67320-93J20	CABLE ASSY, REMOCON (12F:3.7M)	2	
57-4	67320-93J30	CABLE ASSY, REMOCON (14F:4.2M)	2	
57-5	67320-93J40	CABLE ASSY, REMOCON (16F:4.8M)	2	
57-6	67320-93J50	CABLE ASSY, REMOCON (18F:5.4M)	2	
57-7	67320-93J60	CABLE ASSY, REMOCON (20F:6.1M)	2	
57-8	67320-93J70	CABLE ASSY, REMOCON (22F:6.7M)	2	
57-9	67320-93J80	CABLE ASSY, REMOCON (24F:7.3M)	2	

FIG.478

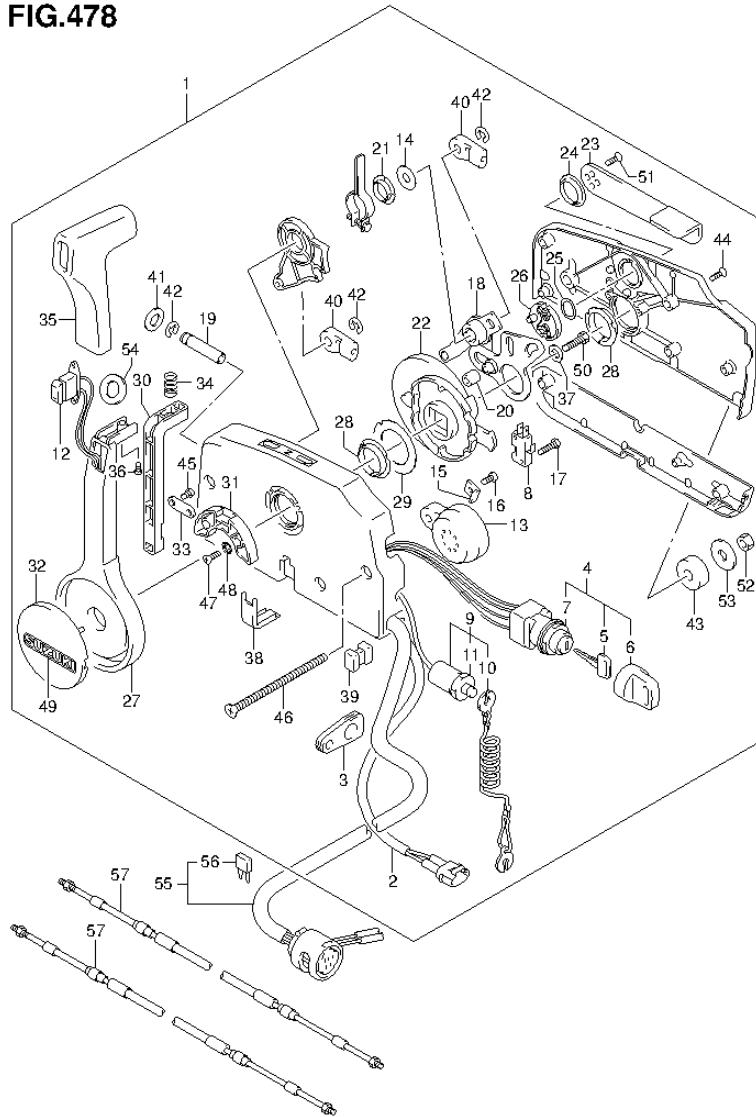
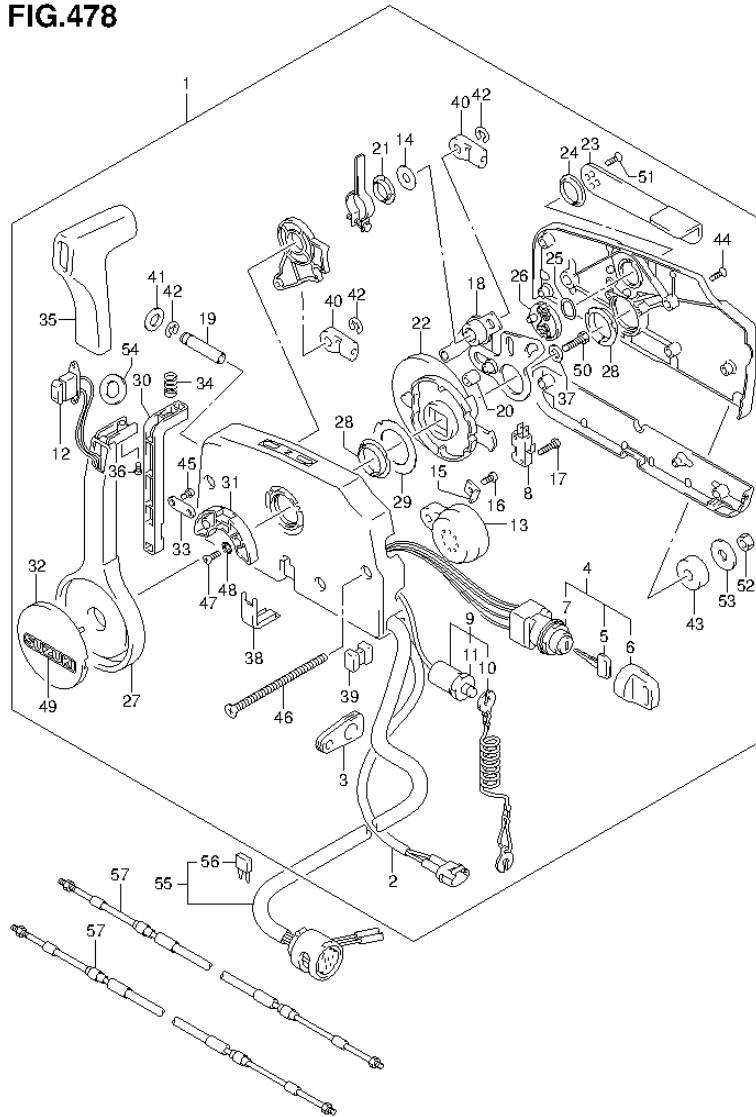


FIG.478 (4-K-9) OPT:REMOTE CONTROL (DF60A E40)

REF NO.	PART NO.	DESCRIPTION	Q'TY	REMARKS
1	67200-93J06	REMOTE CONTROL ASSY	1	
2	36646-93J01	..WIRE ASSY, PTT SW ADAPTER	1	
3	36628-92E00	..GROMMET, WIRE HARNESS	1	
4	37110-93J11	..SWITCH ASSY, IGNITION	1	
5-1	37141-99E00	..KEY (931)	2	
5-2	37141-99E10	..KEY (932)	2	
5-3	37141-99E20	..KEY (933)	2	
5-4	37141-99E30	..KEY (934)	2	
5-5	37141-99E40	..KEY (935)	2	
5-6	37141-99E50	..KEY (936)	2	
5-7	37141-99E60	..KEY (937)	2	
5-8	37141-99E70	..KEY (938)	2	
5-9	37141-99E80	..KEY (939)	2	
5-10	37141-99E90	..KEY (940)	2	
5-11	37141-99EA0	..KEY (941)	2	
5-12	37141-99EB0	..KEY (942)	2	
6	37143-99E00	..CAP, KEY	2	
7	37149-93J00	..CAP CYLINDER BODY	1	
8	37721-93J91	..SWITCH, NEUTRAL	1	
9	37820-93J03	..SWITCH ASSY, EMERGENCY	1	
10	37823-92E01	..PLATE	1	
11	37826-92E00	..NUT	1	
12	37850-90J05	..SWITCH ASSY, PTT	1	
13	38500-93J90	..BUZZER	1	
14	67212-95600	..WASHER	1	
15	67213-92E00	..BRACKET, BUZZER	1	
16	09125-05042	..SCREW (5X10)	1	
17	67296-92E11	..SCREW, NEUTRAL SW	2	
18	67220-95630	..PLATE ASSY	1	
19	67223-99E10	..KNOB, BRAKE ADJ	1	
20	67229-95600	..ROLLER	1	
21	67232-95600	..BUSH	1	
22	67238-87D00	..GEAR, DRIVE	1	
23	67241-99E10	..LEVER, FREE THROTTLE	1	

FIG.478



DF60A_E01_014_478
OPT:REMOTE CONTROL

FIG.478 (4-K-10) OPT:REMOTE CONTROL (DF60A E40)

REF NO.	PART NO.	DESCRIPTION	Q'TY	REMARKS
24	67243-95600	.BUSH	1	
25	67244-95600	.WASHER, WAVE	1	
26	67245-95600	.DRUM, FREE THROTTLE	1	
27	67251-99E10	.LEVER, HANDLE	1	
28	67252-95600	.BUSH	2	
29	67253-95600	.WASHER	1	
30	67255-99E00	.ARM, LOCK	1	
31	67256-95600	.HOLDER, NEUT LOCK	1	
32	67257-99E00	.CAP, LEVER	1	
33	67258-99E00	.BRACKET, LOCK ARM	1	
34	67259-87D00	.SPRING, NEUTRAL ARM	1	
35	67261-99E00	.GRIP	1	
36	67296-94310	.SCREW	1	
37	67264-95600	.WASHER	1	
38	67267-93J00	.COVER, WIRE	1	
39	67273-95600	.SPACER	1	
40	67275-95600	.END, CABLE	2	
41	67288-92E00	.WASHER, BRAKE ADJ KNOB	1	
42	67292-94300	E RING	3	
43	67294-95600	.SPACER	3	
44	67296-90J00	.SCREW	5	
45	67296-94300	.SCREW	2	
46	67296-95600	.SCREW	3	
47	67296-95610	.SCREW	2	
48	67297-95600	.WASHER	2	
49	68165-16B00-13L	.EMBLEM (SILVER)	1	
50	09100-08232	.BOLT (8X30)	1	
51	09126-05003	.SCREW (5X12)	2	
52	09140-06020	.NUT	3	
53	09160-06104	.WASHER (6.5X24X2)	3	
54	37859-90J00	.SPACER	1	
55	36620-93J02	WIRE ASSY, REMOTE CONTROL	1	L:5000
56	09481-10501	.FUSE (10A)	1	
57-1	67320-93J00	CABLE ASSY, REMOCON (8F:2.4M)	2	

DF60A_E01_014

FIG.478

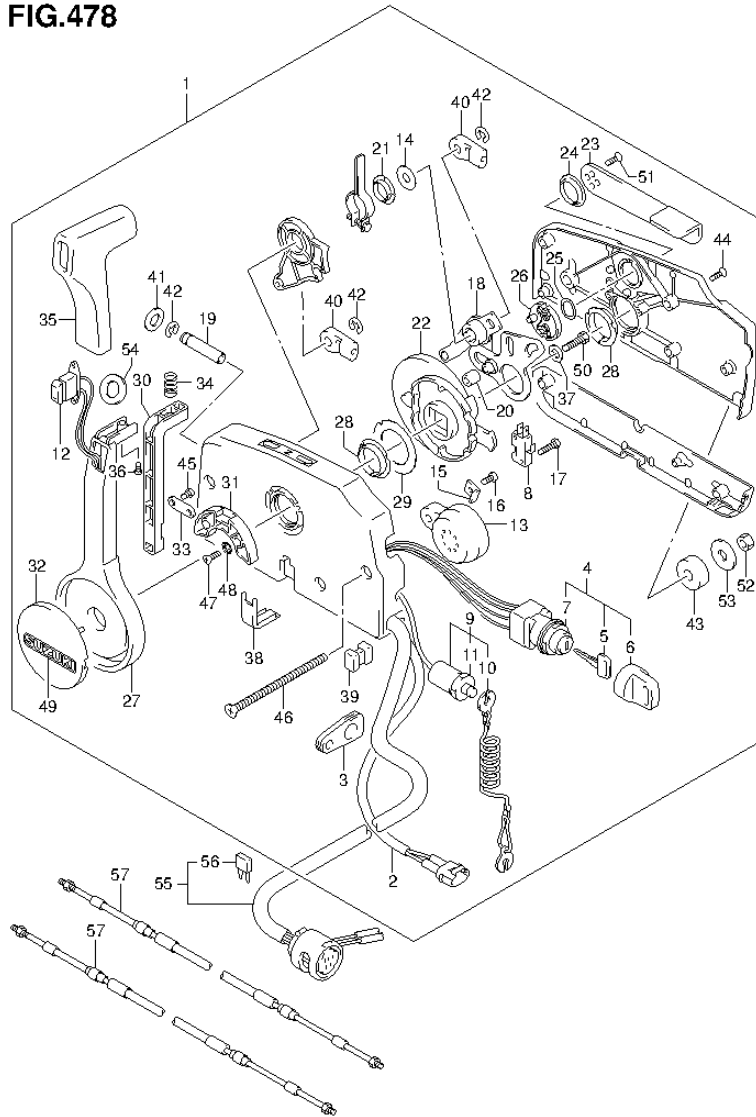


FIG.478 (4-K-11) OPT:REMOTE CONTROL (DF60A E40)

REF NO.	PART NO.	DESCRIPTION	Q'TY	REMARKS
57-2	67320-93J10	CABLE ASSY, REMOCON (10F:3.1M)	2	
57-3	67320-93J20	CABLE ASSY, REMOCON (12F:3.7M)	2	
57-4	67320-93J30	CABLE ASSY, REMOCON (14F:4.2M)	2	
57-5	67320-93J40	CABLE ASSY, REMOCON (16F:4.8M)	2	
57-6	67320-93J50	CABLE ASSY, REMOCON (18F:5.4M)	2	
57-7	67320-93J60	CABLE ASSY, REMOCON (20F:6.1M)	2	
57-8	67320-93J70	CABLE ASSY, REMOCON (22F:6.7M)	2	
57-9	67320-93J80	CABLE ASSY, REMOCON (24F:7.3M)	2	

FIG.479

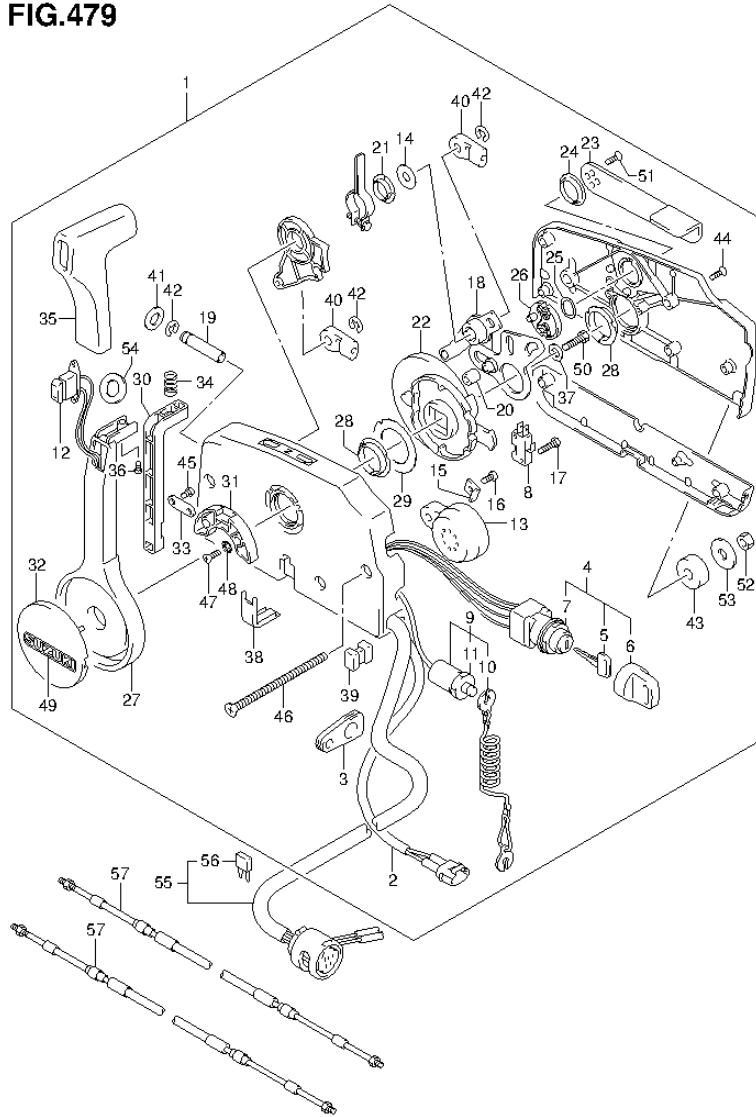


FIG.479 (4-K-12) OPT:REMOTE CONTROL (DF50AVT E01)

REF NO.	PART NO.	DESCRIPTION	Q'TY	REMARKS
1	67200-93J06	REMOTE CONTROL ASSY	1	
2	36646-93J01	..WIRE ASSY, PTT SW ADAPTER	1	
3	36628-92E00	..GROMMET, WIRE HARNESS	1	
4	37110-93J11	..SWITCH ASSY, IGNITION	1	
5-1	37141-99E00	..KEY (931)	2	
5-2	37141-99E10	..KEY (932)	2	
5-3	37141-99E20	..KEY (933)	2	
5-4	37141-99E30	..KEY (934)	2	
5-5	37141-99E40	..KEY (935)	2	
5-6	37141-99E50	..KEY (936)	2	
5-7	37141-99E60	..KEY (937)	2	
5-8	37141-99E70	..KEY (938)	2	
5-9	37141-99E80	..KEY (939)	2	
5-10	37141-99E90	..KEY (940)	2	
5-11	37141-99EA0	..KEY (941)	2	
5-12	37141-99EB0	..KEY (942)	2	
6	37143-99E00	..CAP, KEY	2	
7	37149-93J00	..CAP CYLINDER BODY	1	
8	37721-93J91	..SWITCH, NEUTRAL	1	
9	37820-93J03	..SWITCH ASSY, EMERGENCY	1	
10	37823-92E01	..PLATE	1	
11	37826-92E00	..NUT	1	
12	37850-90J05	..SWITCH ASSY, PTT	1	
13	38500-93J90	..BUZZER	1	
14	67212-95600	..WASHER	1	
15	67213-92E00	..BRACKET, BUZZER	1	
16	09125-05042	..SCREW (5X10)	1	
17	67296-92E11	..SCREW, NEUTRAL SW	2	
18	67220-95630	..PLATE ASSY	1	
19	67223-99E10	..KNOB, BRAKE ADJ	1	
20	67229-95600	..ROLLER	1	
21	67232-95600	..BUSH	1	
22	67238-87D00	..GEAR, DRIVE	1	
23	67241-99E10	..LEVER, FREE THROTTLE	1	

FIG.479

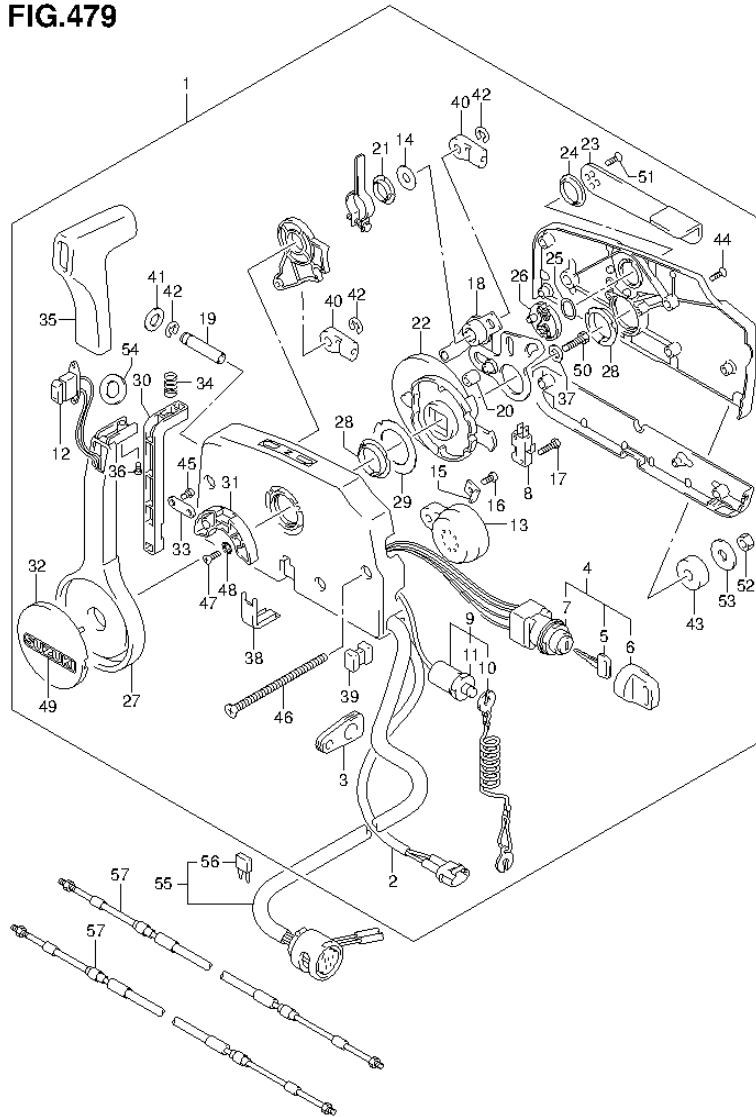


FIG.479 (4-K-13) OPT:REMOTE CONTROL (DF50AVT E01)

REF NO.	PART NO.	DESCRIPTION	Q'TY	REMARKS
24	67243-95600	.BUSH	1	
25	67244-95600	.WASHER, WAVE	1	
26	67245-95600	.DRUM, FREE THROTTLE	1	
27	67251-99E10	.LEVER, HANDLE	1	
28	67252-95600	.BUSH	2	
29	67253-95600	.WASHER	1	
30	67255-99E00	.ARM, LOCK	1	
31	67256-95600	.HOLDER, NEUT LOCK	1	
32	67257-99E00	.CAP, LEVER	1	
33	67258-99E00	.BRACKET, LOCK ARM	1	
34	67259-87D00	.SPRING, NEUTRAL ARM	1	
35	67261-99E00	.GRIP	1	
36	67296-94310	.SCREW	1	
37	67264-95600	.WASHER	1	
38	67267-93J00	.COVER, WIRE	1	
39	67273-95600	.SPACER	1	
40	67275-95600	.END, CABLE	2	
41	67288-92E00	.WASHER, BRAKE ADJ KNOB	1	
42	67292-94300	.E RING	3	
43	67294-95600	.SPACER	3	
44	67296-90J00	.SCREW	5	
45	67296-94300	.SCREW	2	
46	67296-95600	.SCREW	3	
47	67296-95610	.SCREW	2	
48	67297-95600	.WASHER	2	
49	68165-16B00-13L	.EMBLEM (SILVER)	1	
50	09100-08232	.BOLT (8X30)	1	
51	09126-05003	.SCREW (5X12)	2	
52	09140-06020	.NUT	3	
53	09160-06104	.WASHER (6.5X24X2)	3	
54	37859-90J00	.SPACER	1	
55	36620-93J02	WIRE ASSY, REMOTE CONTROL	1	L:5000
56	09481-10501	.FUSE (10A)	1	
57-1	67320-93J00	CABLE ASSY, REMOCON (8F:2.4M)	2	

FIG.479

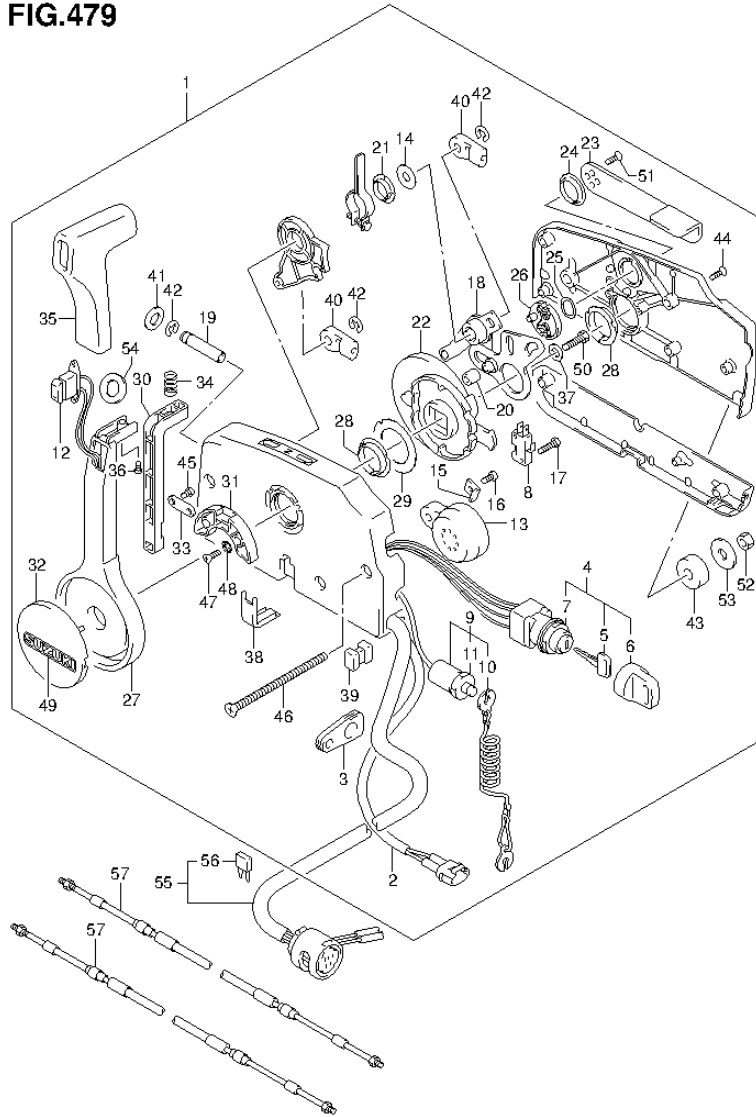


FIG.479 (4-K-14) OPT:REMOTE CONTROL (DF50AVT E01)

REF NO.	PART NO.	DESCRIPTION	Q'TY	REMARKS
57-2	67320-93J10	CABLE ASSY, REMOCON (10F:3.1M)	2	
57-3	67320-93J20	CABLE ASSY, REMOCON (12F:3.7M)	2	
57-4	67320-93J30	CABLE ASSY, REMOCON (14F:4.2M)	2	
57-5	67320-93J40	CABLE ASSY, REMOCON (16F:4.8M)	2	
57-6	67320-93J50	CABLE ASSY, REMOCON (18F:5.4M)	2	
57-7	67320-93J60	CABLE ASSY, REMOCON (20F:6.1M)	2	
57-8	67320-93J70	CABLE ASSY, REMOCON (22F:6.7M)	2	
57-9	67320-93J80	CABLE ASSY, REMOCON (24F:7.3M)	2	

FIG.480

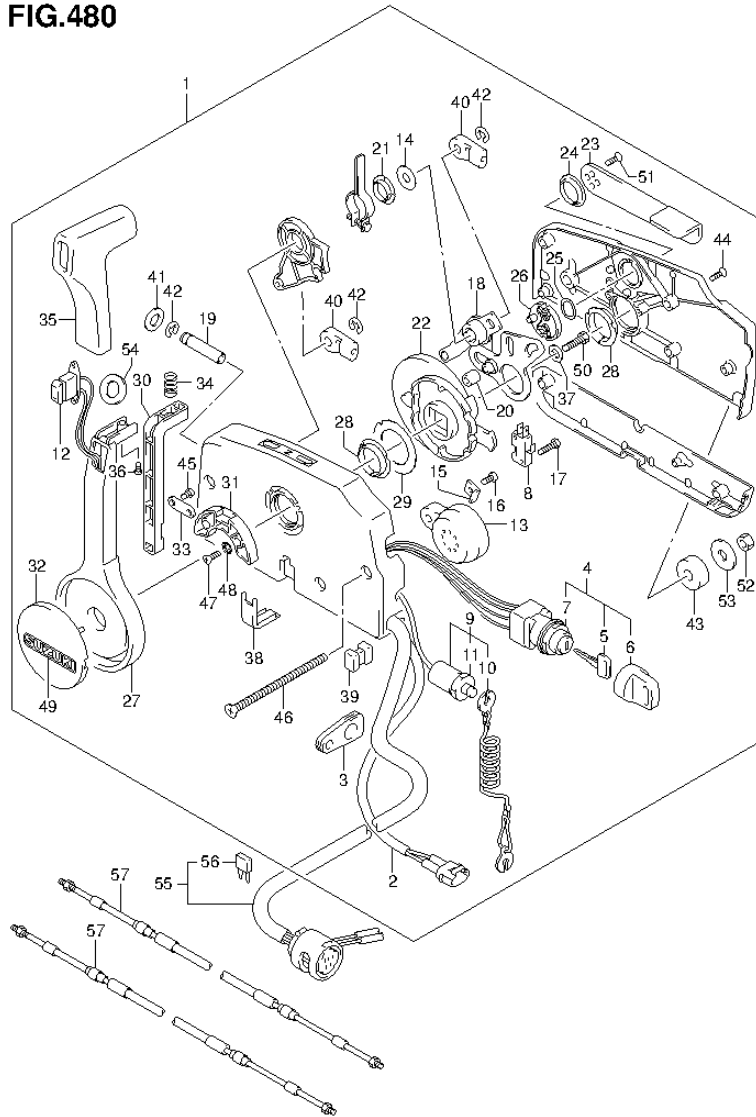


FIG.480 (4-L-2) OPT:REMOTE CONTROL (DF60AVT E01)

REF NO.	PART NO.	DESCRIPTION	Q'TY	REMARKS
24	67243-95600	.BUSH	1	
25	67244-95600	.WASHER, WAVE	1	
26	67245-95600	.DRUM, FREE THROTTLE	1	
27	67251-99E10	.LEVER, HANDLE	1	
28	67252-95600	.BUSH	2	
29	67253-95600	.WASHER	1	
30	67255-99E00	.ARM, LOCK	1	
31	67256-95600	.HOLDER, NEUT LOCK	1	
32	67257-99E00	.CAP, LEVER	1	
33	67258-99E00	.BRACKET, LOCK ARM	1	
34	67259-87D00	.SPRING, NEUTRAL ARM	1	
35	67261-99E00	.GRIP	1	
36	67296-94310	.SCREW	1	
37	67264-95600	.WASHER	1	
38	67267-93J00	.COVER, WIRE	1	
39	67273-95600	.SPACER	1	
40	67275-95600	.END, CABLE	2	
41	67288-92E00	.WASHER, BRAKE ADJ KNOB	1	
42	67292-94300	E RING	3	
43	67294-95600	.SPACER	3	
44	67296-90J00	.SCREW	5	
45	67296-94300	.SCREW	2	
46	67296-95600	.SCREW	3	
47	67296-95610	.SCREW	2	
48	67297-95600	.WASHER	2	
49	68165-16B00-13L	.EMBLEM (SILVER)	1	
50	09100-08232	.BOLT (8X30)	1	
51	09126-05003	.SCREW (5X12)	2	
52	09140-06020	.NUT	3	
53	09160-06104	.WASHER (6.5X24X2)	3	
54	37859-90J00	.SPACER	1	
55	36620-93J02	WIRE ASSY, REMOTE CONTROL	1	L:5000
56	09481-10501	.FUSE (10A)	1	
57-1	67320-93J00	CABLE ASSY, REMOCON (8F:2.4M)	2	

FIG.480

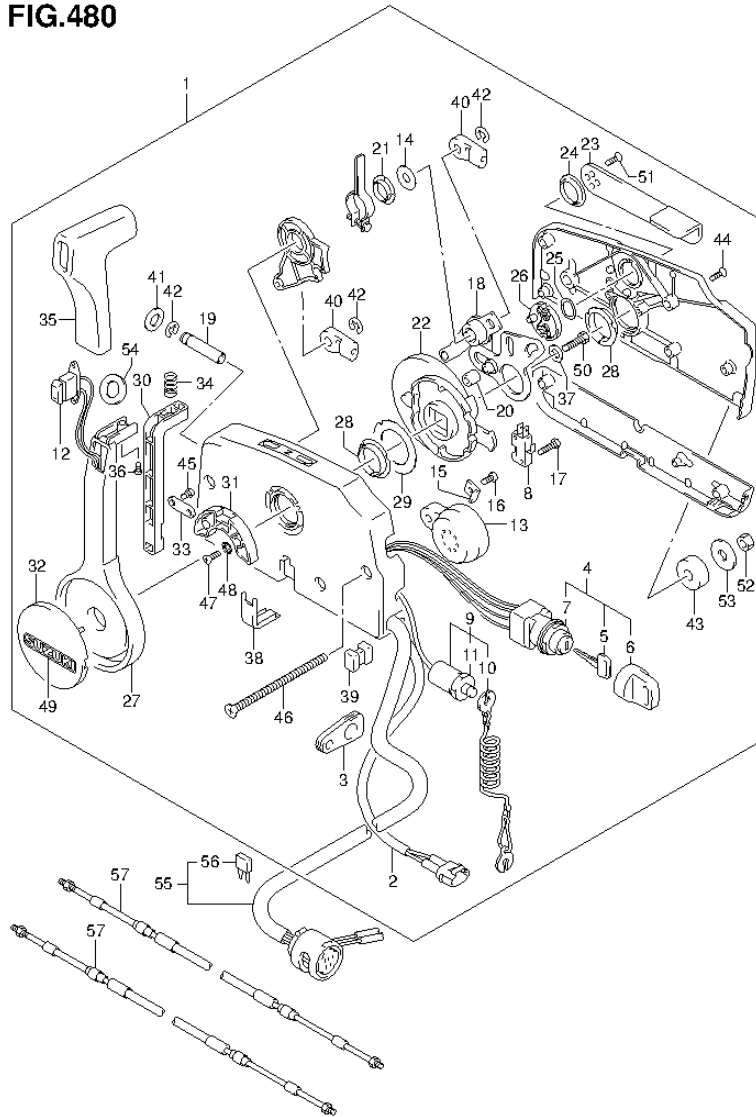


FIG.480 (4-L-3) OPT:REMOTE CONTROL (DF60AVT E01)

REF NO.	PART NO.	DESCRIPTION	Q'TY	REMARKS
57-2	67320-93J10	CABLE ASSY, REMOCON (10F:3.1M)	2	
57-3	67320-93J20	CABLE ASSY, REMOCON (12F:3.7M)	2	
57-4	67320-93J30	CABLE ASSY, REMOCON (14F:4.2M)	2	
57-5	67320-93J40	CABLE ASSY, REMOCON (16F:4.8M)	2	
57-6	67320-93J50	CABLE ASSY, REMOCON (18F:5.4M)	2	
57-7	67320-93J60	CABLE ASSY, REMOCON (20F:6.1M)	2	
57-8	67320-93J70	CABLE ASSY, REMOCON (22F:6.7M)	2	
57-9	67320-93J80	CABLE ASSY, REMOCON (24F:7.3M)	2	

FIG.481

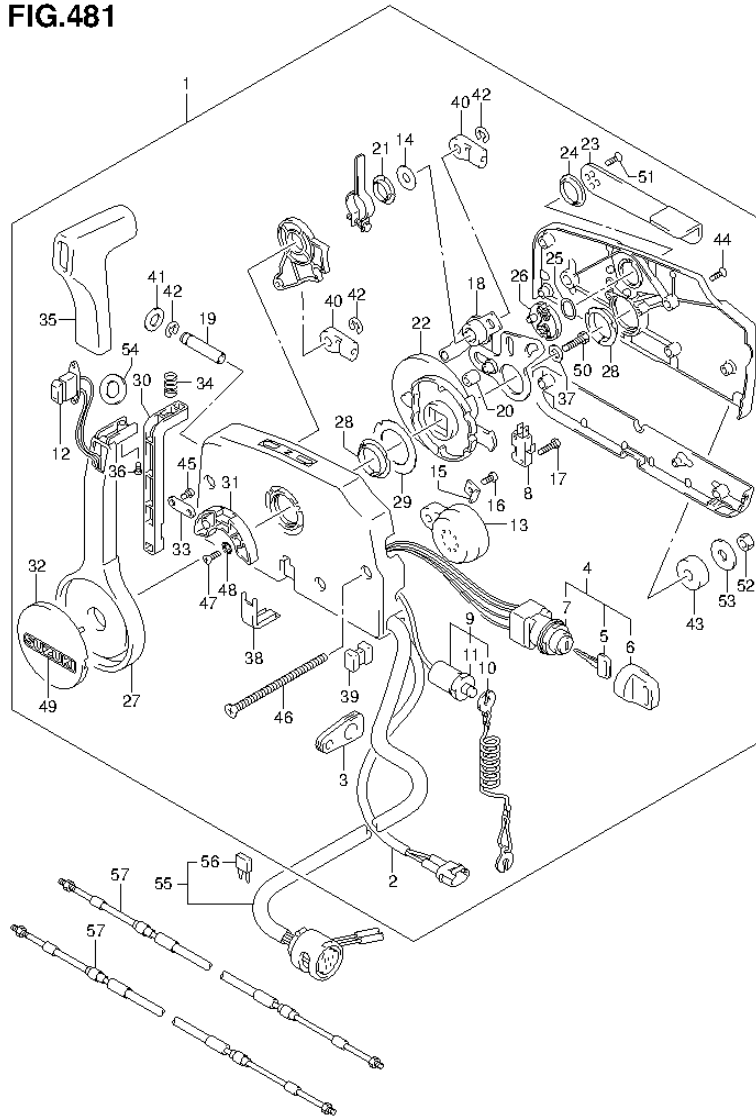


FIG.481 (4-L-4) OPT:REMOTE CONTROL (DF60AVT E40)

REF NO.	PART NO.	DESCRIPTION	Q'TY	REMARKS
1	67200-93J06	REMOTE CONTROL ASSY	1	
2	36646-93J01	..WIRE ASSY, PTT SW ADAPTER	1	
3	36628-92E00	..GROMMET, WIRE HARNESS	1	
4	37110-93J11	..SWITCH ASSY, IGNITION	1	
5-1	37141-99E00	..KEY (931)	2	
5-2	37141-99E10	..KEY (932)	2	
5-3	37141-99E20	..KEY (933)	2	
5-4	37141-99E30	..KEY (934)	2	
5-5	37141-99E40	..KEY (935)	2	
5-6	37141-99E50	..KEY (936)	2	
5-7	37141-99E60	..KEY (937)	2	
5-8	37141-99E70	..KEY (938)	2	
5-9	37141-99E80	..KEY (939)	2	
5-10	37141-99E90	..KEY (940)	2	
5-11	37141-99EA0	..KEY (941)	2	
5-12	37141-99EB0	..KEY (942)	2	
6	37143-99E00	..CAP, KEY	2	
7	37149-93J00	..CAP CYLINDER BODY	1	
8	37721-93J91	..SWITCH, NEUTRAL	1	
9	37820-93J03	..SWITCH ASSY, EMERGENCY	1	
10	37823-92E01	..PLATE	1	
11	37826-92E00	..NUT	1	
12	37850-90J05	..SWITCH ASSY, PTT	1	
13	38500-93J90	..BUZZER	1	
14	67212-95600	..WASHER	1	
15	67213-92E00	..BRACKET, BUZZER	1	
16	09125-05042	..SCREW (5X10)	1	
17	67296-92E11	..SCREW, NEUTRAL SW	2	
18	67220-95630	..PLATE ASSY	1	
19	67223-99E10	..KNOB, BRAKE ADJ	1	
20	67229-95600	..ROLLER	1	
21	67232-95600	..BUSH	1	
22	67238-87D00	..GEAR, DRIVE	1	
23	67241-99E10	..LEVER, FREE THROTTLE	1	

FIG.481

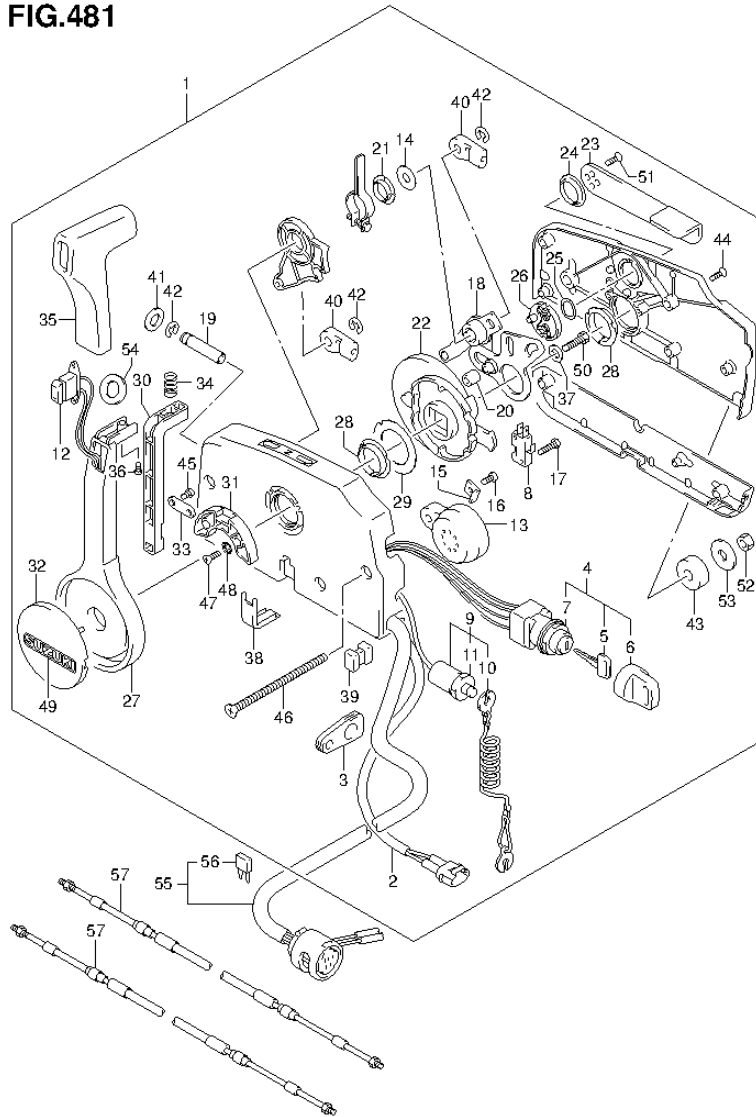


FIG.481 (4-L-5) OPT:REMOTE CONTROL (DF60AVT E40)

REF NO.	PART NO.	DESCRIPTION	Q'TY	REMARKS
24	67243-95600	.BUSH	1	
25	67244-95600	.WASHER, WAVE	1	
26	67245-95600	.DRUM, FREE THROTTLE	1	
27	67251-99E10	.LEVER, HANDLE	1	
28	67252-95600	.BUSH	2	
29	67253-95600	.WASHER	1	
30	67255-99E00	.ARM, LOCK	1	
31	67256-95600	.HOLDER, NEUT LOCK	1	
32	67257-99E00	.CAP, LEVER	1	
33	67258-99E00	.BRACKET, LOCK ARM	1	
34	67259-87D00	.SPRING, NEUTRAL ARM	1	
35	67261-99E00	.GRIP	1	
36	67296-94310	.SCREW	1	
37	67264-95600	.WASHER	1	
38	67267-93J00	.COVER, WIRE	1	
39	67273-95600	.SPACER	1	
40	67275-95600	.END, CABLE	2	
41	67288-92E00	.WASHER, BRAKE ADJ KNOB	1	
42	67292-94300	E RING	3	
43	67294-95600	.SPACER	3	
44	67296-90J00	.SCREW	5	
45	67296-94300	.SCREW	2	
46	67296-95600	.SCREW	3	
47	67296-95610	.SCREW	2	
48	67297-95600	.WASHER	2	
49	68165-16B00-13L	.EMBLEM (SILVER)	1	
50	09100-08232	.BOLT (8X30)	1	
51	09126-05003	.SCREW (5X12)	2	
52	09140-06020	.NUT	3	
53	09160-06104	.WASHER (6.5X24X2)	3	
54	37859-90J00	.SPACER	1	
55	36620-93J02	WIRE ASSY, REMOTE CONTROL	1	L:5000
56	09481-10501	.FUSE (10A)	1	
57-1	67320-93J00	CABLE ASSY, REMOCON (8F:2.4M)	2	

FIG.481

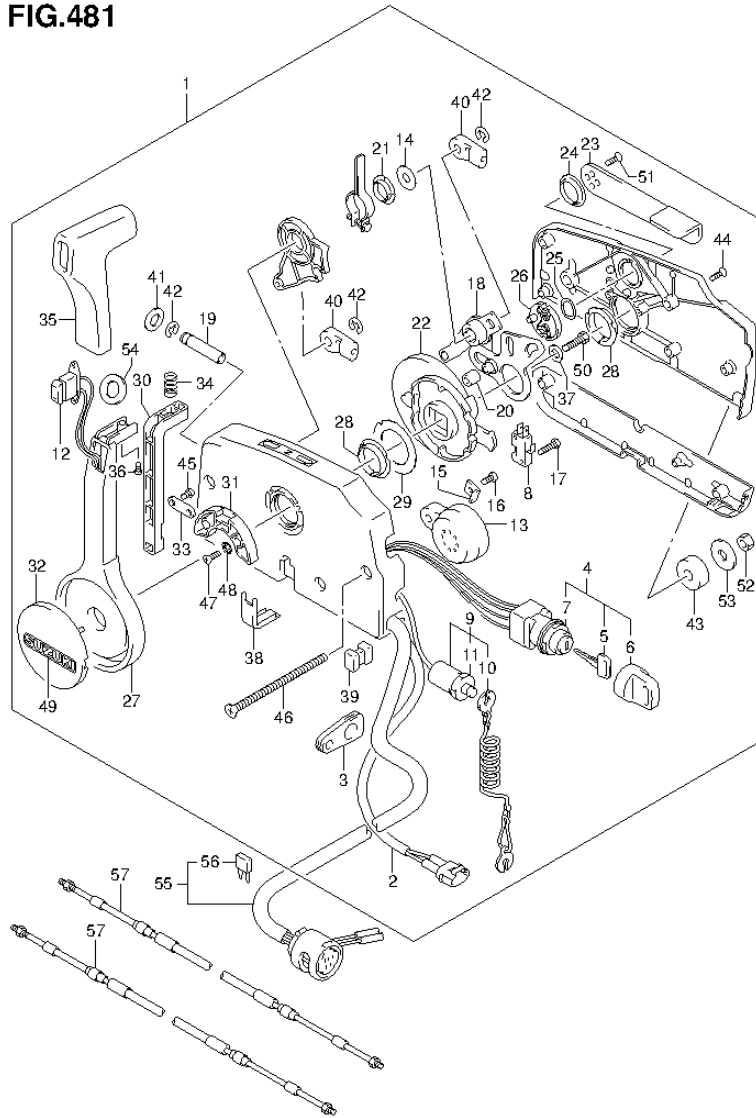


FIG.481 (4-L-6) OPT:REMOTE CONTROL (DF60AVT E40)

REF NO.	PART NO.	DESCRIPTION	Q'TY	REMARKS
57-2	67320-93J10	CABLE ASSY, REMOCON (10F:3.1M)	2	
57-3	67320-93J20	CABLE ASSY, REMOCON (12F:3.7M)	2	
57-4	67320-93J30	CABLE ASSY, REMOCON (14F:4.2M)	2	
57-5	67320-93J40	CABLE ASSY, REMOCON (16F:4.8M)	2	
57-6	67320-93J50	CABLE ASSY, REMOCON (18F:5.4M)	2	
57-7	67320-93J60	CABLE ASSY, REMOCON (20F:6.1M)	2	
57-8	67320-93J70	CABLE ASSY, REMOCON (22F:6.7M)	2	
57-9	67320-93J80	CABLE ASSY, REMOCON (24F:7.3M)	2	

FIG.482

FIG.482 (4-L-7) OPT:REMOTE CONTROL SPACER

REF NO.	PART NO.	DESCRIPTION	Q'TY	REMARKS
1	67500-93J00	KIT, R/CON SPACER SINGLE	1	
2	09125-05135	.SCREW (5X65)	4	
3	09140-05005	.NUT	4	
4	09160-05029	.WASHER (5.5X12X0.8)	4	

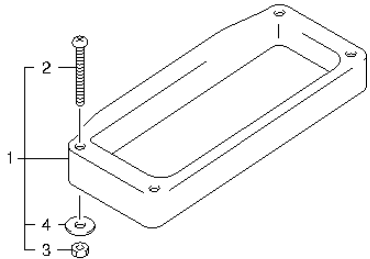
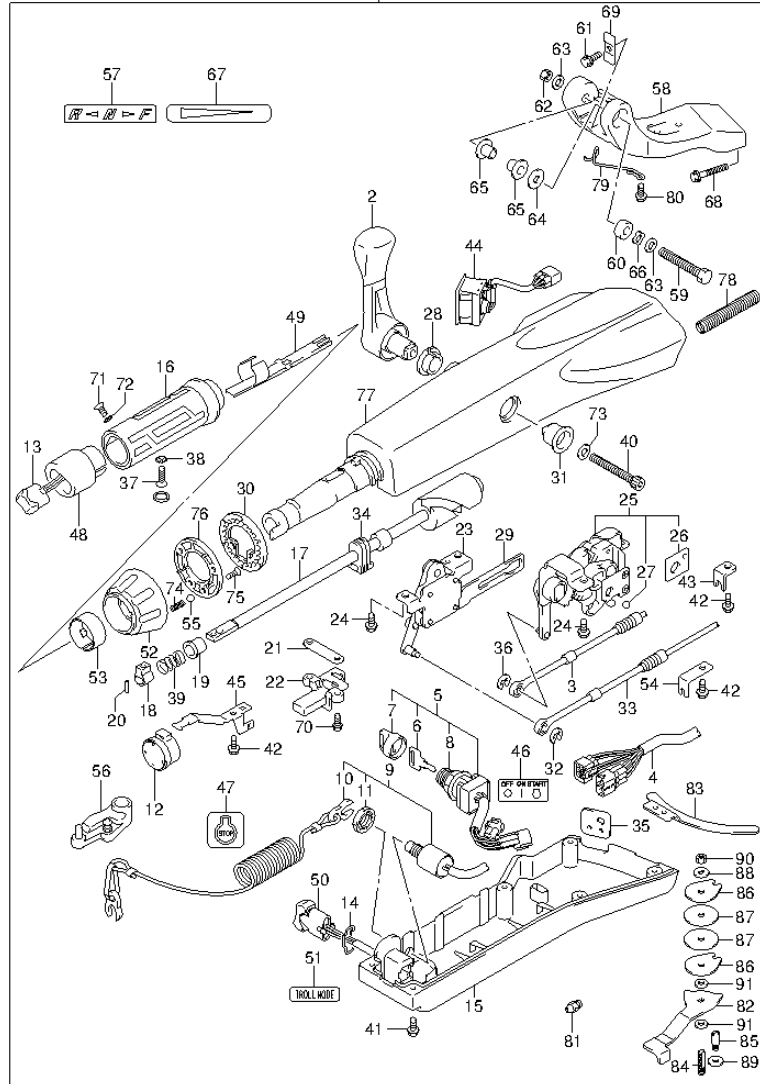


FIG.483



DF60A_E01_014_483
OPT:TILLER HANDLE

FIG.483 (4-L-8) OPT:TILLER HANDLE (DF40A E01)

REF NO.	PART NO.	DESCRIPTION	Q'TY	REMARKS
1	63002-88L20-OEP	KIT TILLER HANDLE (BLACK)	1	
2	21110-88L00	..LEVER, SHIFT	1	
3	23230-88L00	..CABLE, SHIFT	1	
4	36620-88L10	..WIRE ASSY, HARNESS	1	
5	37110-87L01	..SWITCH ASSY, IGNITION	1	
6-1	37141-99E00	..KEY (931)	1	
6-2	37141-99E10	..KEY (932)	1	
6-3	37141-99E20	..KEY (933)	1	
6-4	37141-99E30	..KEY (934)	1	
6-5	37141-99E40	..KEY (935)	1	
6-6	37141-99E50	..KEY (936)	1	
6-7	37141-99E60	..KEY (937)	1	
6-8	37141-99E70	..KEY (938)	1	
6-9	37141-99E80	..KEY (939)	1	
6-10	37141-99E90	..KEY (940)	1	
6-11	37141-99EA0	..KEY (941)	1	
6-12	37141-99EB0	..KEY (942)	1	
7	37143-99E00	..CAP, KEY	1	
8	37149-93J00	..CAP, CYLINDER BODY	1	
9	37820-87L00	..SWITCH ASSY, EMERGENCY	1	
10	37823-92E01	..PLATE, LOCK	1	
11	37826-92E00	..NUT	1	
12	38500-93J90	..BUZZER	1	
13	37850-87L00	..SWITCH ASSY, PTT	1	
14	37852-87J00	..PLATE, TRIM SWITCH	1	
15	63121-88L00	..COVER, UNDER	1	
16	63210-88L00	..GRIP, HANDLE	1	
17	63221-88L00	..SHAFT, THROTTLE	1	
18	63223-92D00	..STOPPER, HANDLE ROD	1	
19	63225-88L00	..BUSH, HANDLE ROD	1	
20	63227-93200	..PIN, HANDLE ROD	1	
21	63235-88L00	..PLATE, THROTTLE SHAFT	1	
22	63246-88L00	..STOPPER THROTTLE ADJ	1	
23	63250-88L00	..ARM ASSY, THROTTLE	1	

DF60A_E01_014

FIG.483

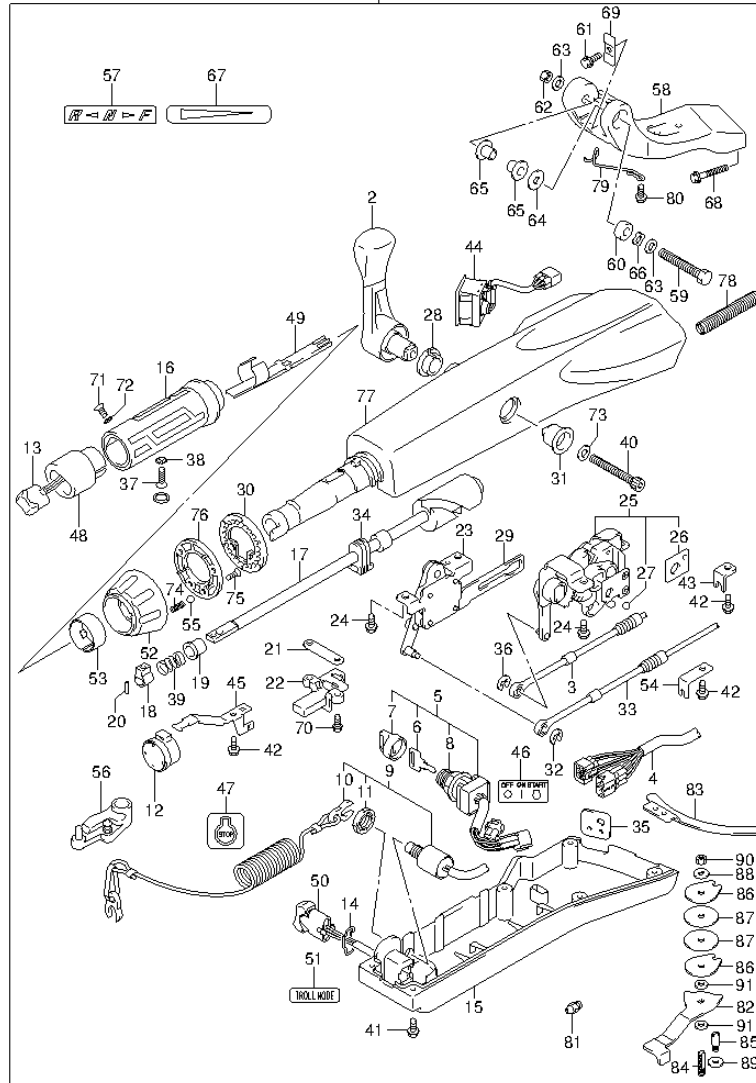


FIG.483 (4-L-9) OPT:TILLER HANDLE (DF40A E01)

REF NO.	PART NO.	DESCRIPTION	Q'TY	REMARKS
24	63251-87J00	.BOLT, SHIFT GEAR ASSY	4	
25	63260-88L00	.GEAR ASSY, SHIFT	1	
26	63272-87J00	..PLATE, BALL GUIDE	1	
27	63273-87J00	..BALL	1	
28	63262-87J00	.BUSH, SHIFT LEVER	1	
29	63271-87J00	.PLATE, LOCK	1	
30	63248-99J00	.PLATE, THROTTLE ADJ NOTCH	1	
31	63261-87J00	.BUSH, SHIFT GEAR	1	
32	63274-87J00	E RING	1	
33	63610-88L00	.CABLE, THROTTLE	1	
34	37853-88L90	.GROMMET, PTT SWITCH LEAD	1	
35	63626-88L00	.GROMMET, WIRE HARNESS	1	
36	67292-87J00	E RING	2	
37	09126-06015	.SCREW (6X23)	1	
38	09163-06001	.LOCK WASHER	1	
39	09440-12027	.SPRING	1	
40	21112-88L00	.BOLT SHIFT LEVER	1	
41	09125-05047	.SCREW (5X14)	6	
42	63611-88L00	.BOLT CLAMP BRACKET	3	
43	63612-87J00	.BRACKET, CLAMP	1	
44	34200-87L00	.TACHOMETER ASSY, WITH MONITOR	1	
45	36617-88L90	.CLAMP PLATE, MAIN HARNESS	1	
46	37112-88L90	.LABEL, IGNITION SWITCH	1	
47	37835-95D00	.LABEL, STOP	1	
48	37851-88L90	.BASE, PTT SWITCH	1	
49	37852-88L90	.HARNESS, GUIDE	1	
50	37861-87L10	.SWITCH, TROLLING CONTROL	1	
51	37864-88L90	.LABEL, TROLL MODE	1	
52	63244-99J00	.KNOB, THROTTLE ADJ	1	
53	63245-99J00	.BUSH, THROTTLE ADJ	1	
54	63612-88L10	.BRACKET, CLAMP SHIFT	1	
55	09260-10006	.BALL	1	
56	19120-88L11	.LEVER, THROTTLE	1	
57	21131-88L00	.MARK, CLUTCH SHIFT	1	

FIG.483

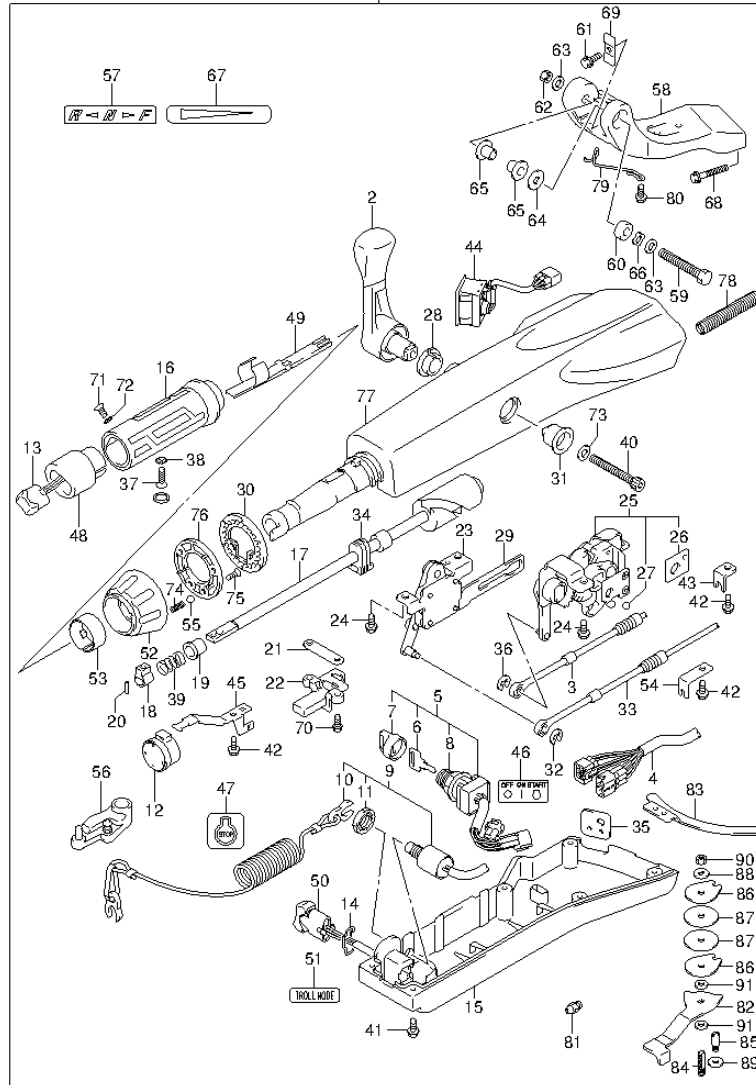


FIG.483 (4-L-10) OPT:TILLER HANDLE (DF40A E01)

REF NO.	PART NO.	DESCRIPTION	Q'TY	REMARKS
58	43761-88L01-OEP	.BRACKET, TILLER HANDLE (BLACK)	1	
59	43762-88L00	.BOLT TILLER HANDLE PIVOT	1	
60	43768-88L00	.SPACER, TILLER HANDLE	1	
61	09116-08137	.BOLT (8X22)	1	
62	09159-12014	.NUT	1	
63	09160-12066	.WASHER (12.5X22X2.5)	2	
64	09160-12124	.WASHER (12.5X32X1.5)	1	
65	63115-88L00	.BUSH, TILLER HANDLE	2	
66	09164-13010	.WASHER	1	
67	63215-93110	.MARK, HANDLE GRIP	1	
68	09116-10150	.BOLT (10X55)	2	
69	63132-88L00	.STOPPER, TILLER HANDLE	1	
70	63251-88L90	.BOLT	2	
71	37855-88L90	.SCREW, THROTTLE GRIP	1	
72	37854-88L90	.WASHER, THROTTLE GRIP	1	
73	63258-88L00	.WASHER	1	
74	09440-06037	.SPRING	1	
75	03522-05169	.SCREW	3	
76	63247-99J00	.PLATE, THROTTLE ADJ KNOB	1	
77	63111-88L00-OEP	.HOUSING, TILLER HANDLE (BLACK)	1	
78	33834-88L00	.TUBE, CABLE PROTECTOR	1	
79	65793-88L00	.HOLDER, FUEL HOSE	1	
80	09116-06237	.BOLT (6X15)	2	
81	22511-99011	.NIPPLE, GREASE	1	
82	43411-88L00	.ADJUSTER, STEERING	1	
83	43415-88L00	.PLATE, STEERING ADJUSTER	1	
84	43512-88L00	.SHAFT, STEERING ADJ THREAD	1	
85	43513-88L00	.BOLT, STEERING ADJUSTER	1	
86	43514-88L00	.PLATE, STEERING ADJ FRICTION	2	
87	43515-88L00	.WASHER, STRG ADJ FRICTION PLATE	2	
88	43516-88L00	.WASHER, STRG ADJ FRICTION	1	
89	43517-88L00	.SPACER, STEERING ADJUSTER	1	

FIG.483

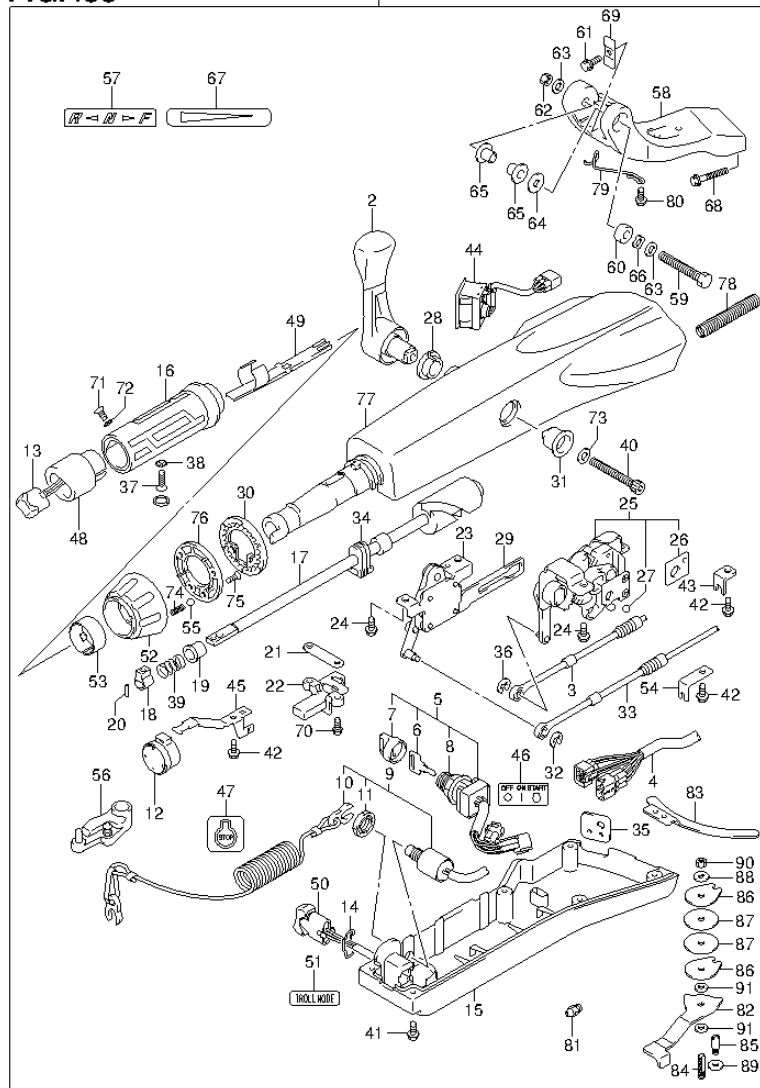


FIG.483 (4-L-11) OPT:TILLER HANDLE (DF40A E01)

REF NO.	PART NO.	DESCRIPTION	Q'TY	REMARKS
90	09159-08059	.NUT	1	
91	09161-08011	.WASHER (8.2X18X1.2)	2	

FIG.484

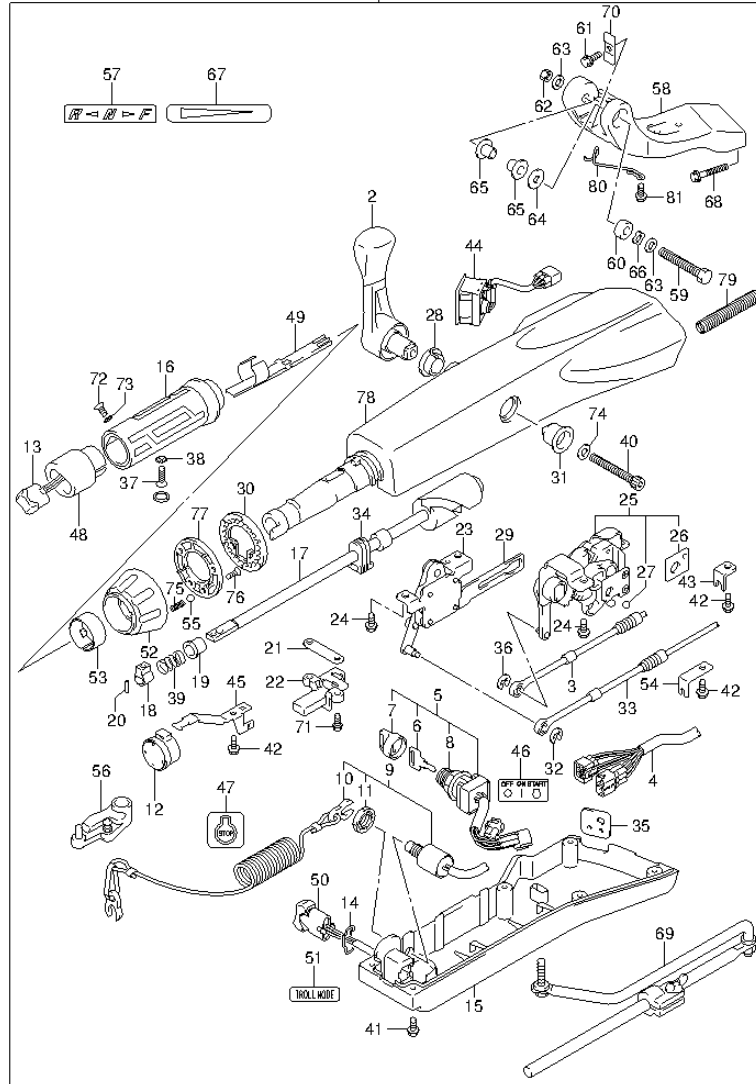


FIG.484 (4-L-12) OPT:TILLER HANDLE (DF40AST E34)

REF NO.	PART NO.	DESCRIPTION	Q'TY	REMARKS
1	63002-88L10-OEP	KIT TILLER HANDLE (BLACK)	1	
2	21110-88L00	.LEVER, SHIFT	1	
3	23230-88L00	.CABLE, SHIFT	1	
4	36620-88L10	.WIRE ASSY, HARNESS	1	
5	37110-87L01	.SWITCH ASSY, IGNITION	1	
6-1	37141-99E00	..KEY (931)	1	
6-2	37141-99E10	..KEY (932)	1	
6-3	37141-99E20	..KEY (933)	1	
6-4	37141-99E30	..KEY (934)	1	
6-5	37141-99E40	..KEY (935)	1	
6-6	37141-99E50	..KEY (936)	1	
6-7	37141-99E60	..KEY (937)	1	
6-8	37141-99E70	..KEY (938)	1	
6-9	37141-99E80	..KEY (939)	1	
6-10	37141-99E90	..KEY (940)	1	
6-11	37141-99EA0	..KEY (941)	1	
6-12	37141-99EB0	..KEY (942)	1	
7	37143-99E00	..CAP, KEY	1	
8	37149-93J00	..CAP, CYLINDER BODY	1	
9	37820-87L00	.SWITCH ASSY, EMERGENCY	1	
10	37823-92E01	..PLATE, LOCK	1	
11	37826-92E00	..NUT	1	
12	38500-93J90	.BUZZER	1	
13	37850-87L00	.SWITCH ASSY, PTT	1	
14	37852-87J00	.PLATE, TRIM SWITCH	1	
15	63121-88L00	.COVER, UNDER	1	
16	63210-88L00	.GRIP, HANDLE	1	
17	63221-88L00	.SHAFT, THROTTLE	1	
18	63223-92D00	.STOPPER, HANDLE ROD	1	
19	63225-88L00	.BUSH, HANDLE ROD	1	
20	63227-93200	.PIN, HANDLE ROD	1	
21	63235-88L00	.PLATE, THROTTLE SHAFT	1	
22	63246-88L00	.STOPPER THROTTLE ADJ	1	
23	63250-88L00	.ARM ASSY, THROTTLE	1	

FIG.484

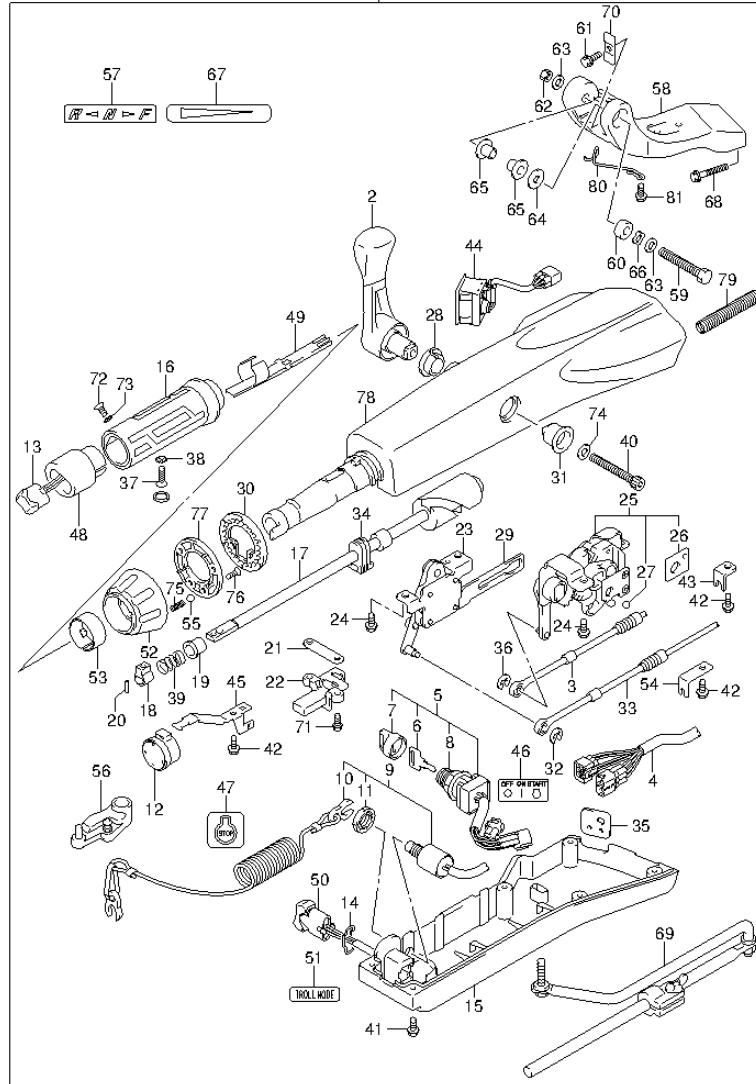


FIG.484 (4-L-13) OPT:TILLER HANDLE (DF40AST E34)

REF NO.	PART NO.	DESCRIPTION	Q'TY	REMARKS
24	63251-87J00	.BOLT, SHIFT GEAR ASSY	4	
25	63260-88L00	.GEAR ASSY, SHIFT	1	
26	63272-87J00	..PLATE, BALL GUIDE	1	
27	63273-87J00	..BALL	1	
28	63262-87J00	.BUSH, SHIFT LEVER	1	
29	63271-87J00	.PLATE, LOCK	1	
30	63248-99J00	.PLATE, THROTTLE ADJ NOTCH	1	
31	63261-87J00	.BUSH, SHIFT GEAR	1	
32	63274-87J00	E RING	1	
33	63610-88L00	.CABLE, THROTTLE	1	
34	37853-88L90	.GROMMET, PTT SWITCH LEAD	1	
35	63626-88L00	.GROMMET, WIRE HARNESS	1	
36	67292-87J00	E RING	2	
37	09126-06015	.SCREW (6X23)	1	
38	09163-06001	.LOCK WASHER	1	
39	09440-12027	.SPRING	1	
40	21112-88L00	.BOLT SHIFT LEVER	1	
41	09125-05047	.SCREW (5X14)	6	
42	63611-88L00	.BOLT CLAMP BRACKET	3	
43	63612-87J00	.BRACKET, CLAMP	1	
44	34200-87L00	.TACHOMETER ASSY, WITH MONITOR	1	
45	36617-88L90	.CLAMP PLATE, MAIN HARNESS	1	
46	37112-88L90	.LABEL, IGNITION SWITCH	1	
47	37835-95D00	.LABEL, STOP	1	
48	37851-88L90	.BASE, PTT SWITCH	1	
49	37852-88L90	.HARNESS, GUIDE	1	
50	37861-87L10	.SWITCH, TROLLING CONTROL	1	
51	37864-88L90	.LABEL, TROLL MODE	1	
52	63244-99J00	.KNOB, THROTTLE ADJ	1	
53	63245-99J00	.BUSH, THROTTLE ADJ	1	
54	63612-88L10	.BRACKET, CLAMP SHIFT	1	
55	09260-10006	.BALL	1	
56	19120-88L11	.LEVER, THROTTLE	1	
57	21131-88L00	.MARK, CLUTCH SHIFT	1	

FIG.484

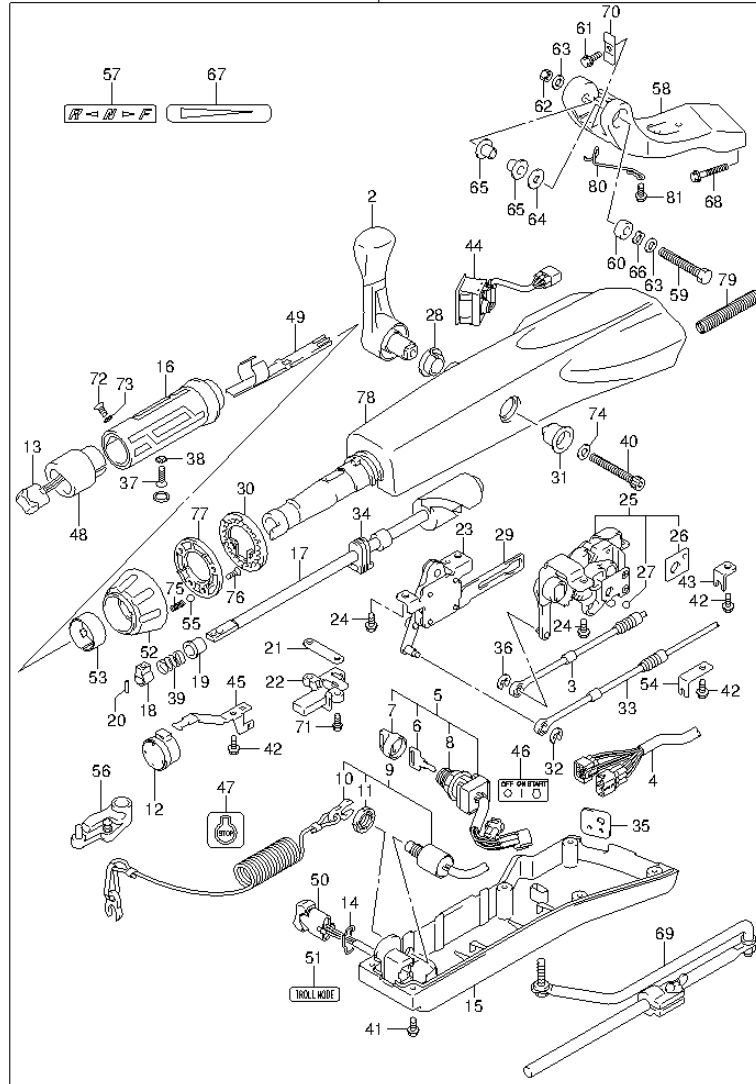
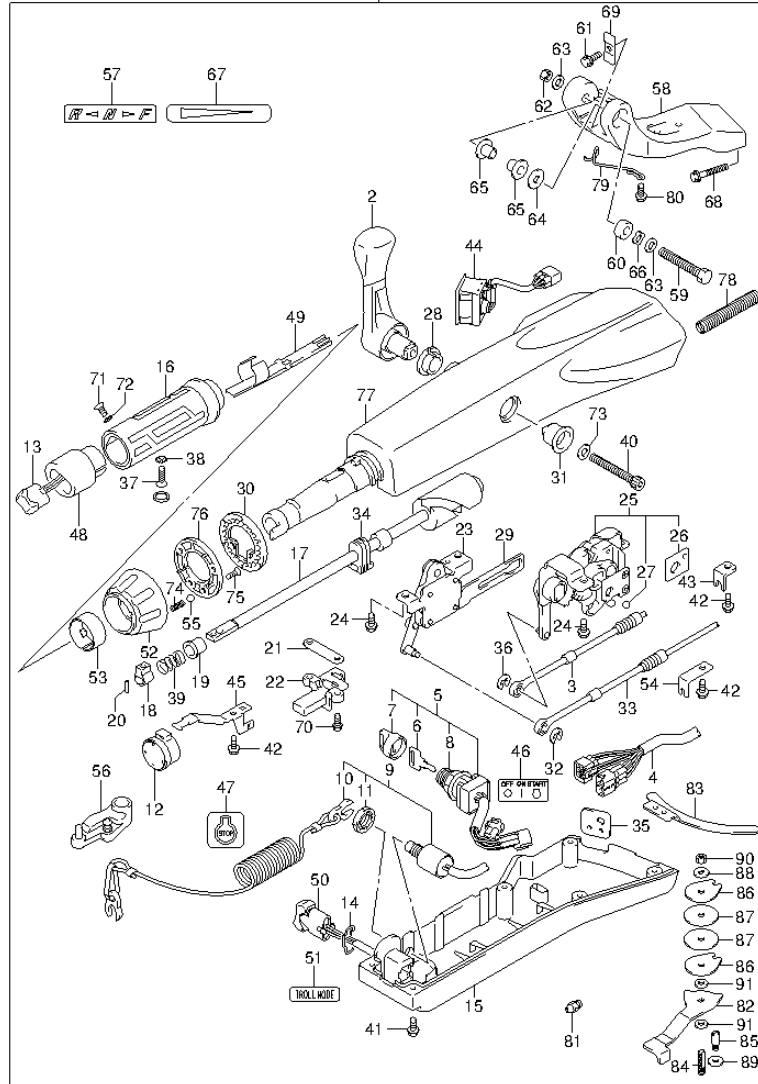


FIG.484 (4-L-14) OPT:TILLER HANDLE (DF40AST E34)

REF NO.	PART NO.	DESCRIPTION	Q'TY	REMARKS
58	43761-88L01-OEP	.BRACKET, TILLER HANDLE (BLACK)	1	
59	43762-88L00	.BOLT TILLER HANDLE PIVOT	1	
60	43768-88L00	.SPACER, TILLER HANDLE	1	
61	09116-08137	.BOLT (8X22)	1	
62	09159-12014	.NUT	1	
63	09160-12066	.WASHER (12.5X22X2.5)	2	
64	09160-12124	.WASHER (12.5X32X1.5)	1	
65	63115-88L00	.BUSH, TILLER HANDLE	2	
66	09164-13010	.WASHER	1	
67	63215-93110	.MARK, HANDLE GRIP	1	
68	09116-10150	.BOLT (10X55)	2	
69	43770-99E03	.ADJUSTER ASSY, STEERING	1	
70	63132-88L00	.STOPPER, TILLER HANDLE	1	
71	63251-88L90	.BOLT	2	
72	37855-88L90	.SCREW, THROTTLE GRIP	1	
73	37854-88L90	.WASHER, THROTTLE GRIP	1	
74	63258-88L00	.WASHER	1	
75	09440-06037	.SPRING	1	
76	03522-05169	.SCREW	3	
77	63247-99J00	.PLATE, THROTTLE ADJ KNOB	1	
78	63111-88L00-OEP	.HOUSING, TILLER HANDLE (BLACK)	1	
79	33834-88L00	.TUBE, CABLE PROTECTOR	1	
80	65793-88L00	.HOLDER, FUEL HOSE	1	
81	09116-06237	.BOLT (6X15)	2	

FIG.485



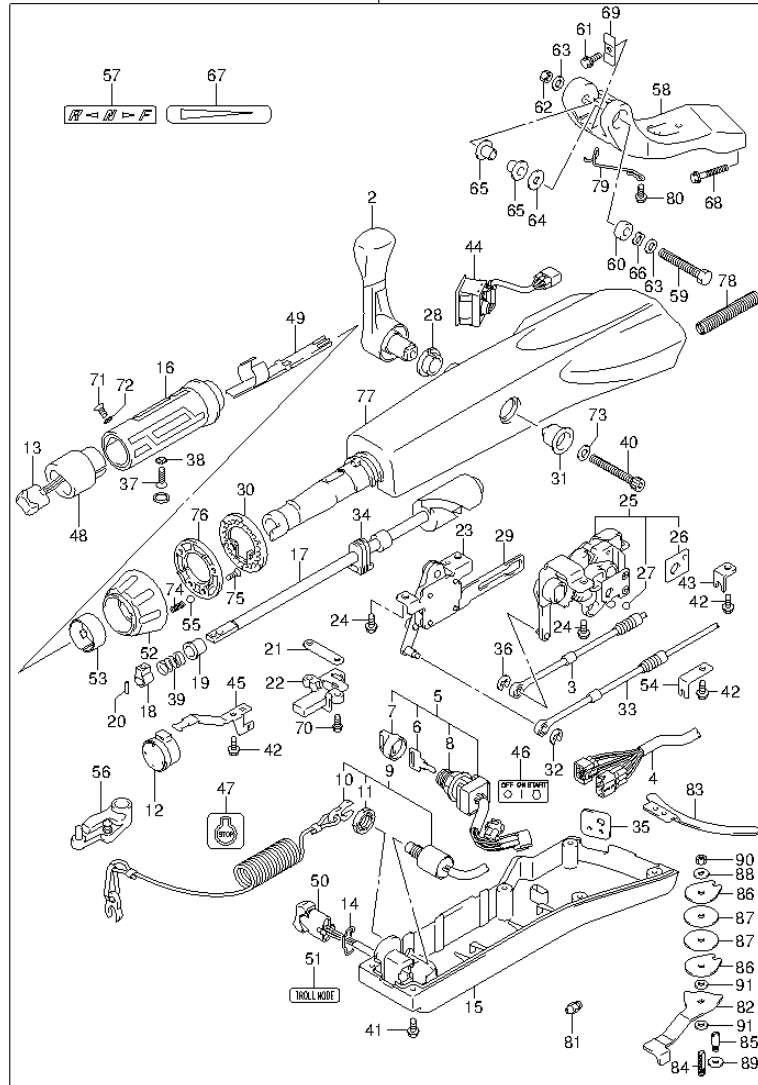
DF60A_E01_014_485
OPT:TILLER HANDLE

FIG.485 (4-L-15) OPT:TILLER HANDLE (DF50A E01)

REF NO.	PART NO.	DESCRIPTION	Q'TY	REMARKS
1	63002-88L20-OEP	KIT TILLER HANDLE (BLACK)	1	
2	21110-88L00	..LEVER, SHIFT	1	
3	23230-88L00	..CABLE, SHIFT	1	
4	36620-88L10	..WIRE ASSY, HARNESS	1	
5	37110-87L01	..SWITCH ASSY, IGNITION	1	
6-1	37141-99E00	..KEY (931)	1	
6-2	37141-99E10	..KEY (932)	1	
6-3	37141-99E20	..KEY (933)	1	
6-4	37141-99E30	..KEY (934)	1	
6-5	37141-99E40	..KEY (935)	1	
6-6	37141-99E50	..KEY (936)	1	
6-7	37141-99E60	..KEY (937)	1	
6-8	37141-99E70	..KEY (938)	1	
6-9	37141-99E80	..KEY (939)	1	
6-10	37141-99E90	..KEY (940)	1	
6-11	37141-99EA0	..KEY (941)	1	
6-12	37141-99EB0	..KEY (942)	1	
7	37143-99E00	..CAP, KEY	1	
8	37149-93J00	..CAP, CYLINDER BODY	1	
9	37820-87L00	..SWITCH ASSY, EMERGENCY	1	
10	37823-92E01	..PLATE, LOCK	1	
11	37826-92E00	..NUT	1	
12	38500-93J90	..BUZZER	1	
13	37850-87L00	..SWITCH ASSY, PTT	1	
14	37852-87J00	..PLATE, TRIM SWITCH	1	
15	63121-88L00	..COVER, UNDER	1	
16	63210-88L00	..GRIP, HANDLE	1	
17	63221-88L00	..SHAFT, THROTTLE	1	
18	63223-92D00	..STOPPER, HANDLE ROD	1	
19	63225-88L00	..BUSH, HANDLE ROD	1	
20	63227-93200	..PIN, HANDLE ROD	1	
21	63235-88L00	..PLATE, THROTTLE SHAFT	1	
22	63246-88L00	..STOPPER THROTTLE ADJ	1	
23	63250-88L00	..ARM ASSY, THROTTLE	1	

DF60A_E01_014

FIG.485



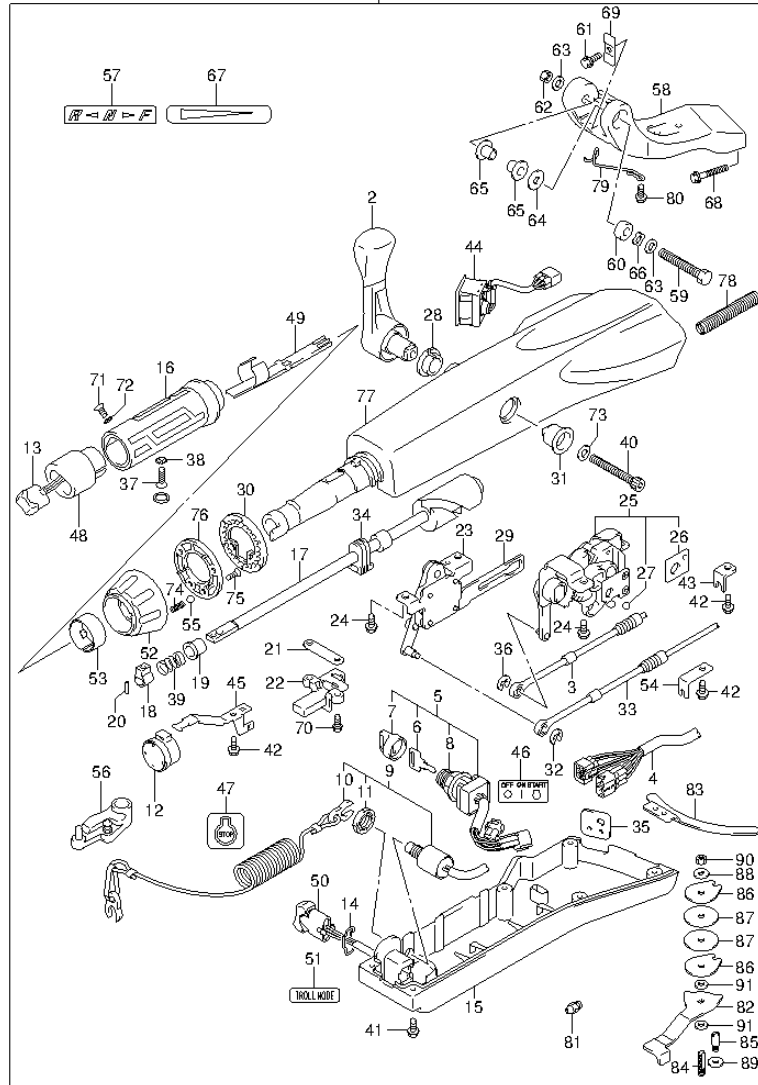
DF60A_E01_014_485
OPT:TILLER HANDLE

FIG.485 (5-B-2) OPT:TILLER HANDLE (DF50A E01)

REF NO.	PART NO.	DESCRIPTION	Q'TY	REMARKS
24	63251-87J00	.BOLT, SHIFT GEAR ASSY	4	
25	63260-88L00	.GEAR ASSY, SHIFT	1	
26	63272-87J00	.PLATE, BALL GUIDE	1	
27	63273-87J00	.BALL	1	
28	63262-87J00	.BUSH, SHIFT LEVER	1	
29	63271-87J00	.PLATE, LOCK	1	
30	63248-99J00	.PLATE, THROTTLE ADJ NOTCH	1	
31	63261-87J00	.BUSH, SHIFT GEAR	1	
32	63274-87J00	E RING	1	
33	63610-88L00	.CABLE, THROTTLE	1	
34	37853-88L90	.GROMMET, PTT SWITCH LEAD	1	
35	63626-88L00	.GROMMET, WIRE HARNESS	1	
36	67292-87J00	E RING	2	
37	09126-06015	.SCREW (6X23)	1	
38	09163-06001	.LOCK WASHER	1	
39	09440-12027	.SPRING	1	
40	21112-88L00	.BOLT SHIFT LEVER	1	
41	09125-05047	.SCREW (5X14)	6	
42	63611-88L00	.BOLT CLAMP BRACKET	3	
43	63612-87J00	.BRACKET, CLAMP	1	
44	34200-87L00	.TACHOMETER ASSY, WITH MONITOR	1	
45	36617-88L90	.CLAMP PLATE, MAIN HARNESS	1	
46	37112-88L90	.LABEL, IGNITION SWITCH	1	
47	37835-95D00	.LABEL, STOP	1	
48	37851-88L90	.BASE, PTT SWITCH	1	
49	37852-88L90	.HARNESS, GUIDE	1	
50	37861-87L10	.SWITCH, TROLLING CONTROL	1	
51	37864-88L90	.LABEL, TROLL MODE	1	
52	63244-99J00	.KNOB, THROTTLE ADJ	1	
53	63245-99J00	.BUSH, THROTTLE ADJ	1	
54	63612-88L10	.BRACKET, CLAMP SHIFT	1	
55	09260-10006	.BALL	1	
56	19120-88L11	.LEVER, THROTTLE	1	
57	21131-88L00	.MARK, CLUTCH SHIFT	1	

DF60A_E01_014

FIG.485



DF60A_E01_014_485
OPT:TILLER HANDLE

FIG.485 (5-B-3) OPT:TILLER HANDLE (DF50A E01)

REF NO.	PART NO.	DESCRIPTION	Q'TY	REMARKS
58	43761-88L01-OEP	.BRACKET, TILLER HANDLE (BLACK)	1	
59	43762-88L00	.BOLT TILLER HANDLE PIVOT	1	
60	43768-88L00	.SPACER, TILLER HANDLE	1	
61	09116-08137	.BOLT (8X22)	1	
62	09159-12014	.NUT	1	
63	09160-12066	.WASHER (12.5X22X2.5)	2	
64	09160-12124	.WASHER (12.5X32X1.5)	1	
65	63115-88L00	.BUSH, TILLER HANDLE	2	
66	09164-13010	.WASHER	1	
67	63215-93110	.MARK, HANDLE GRIP	1	
68	09116-10150	.BOLT (10X55)	2	
69	63132-88L00	.STOPPER, TILLER HANDLE	1	
70	63251-88L90	.BOLT	2	
71	37855-88L90	.SCREW, THROTTLE GRIP	1	
72	37854-88L90	.WASHER, THROTTLE GRIP	1	
73	63258-88L00	.WASHER	1	
74	09440-06037	.SPRING	1	
75	03522-05169	.SCREW	3	
76	63247-99J00	.PLATE, THROTTLE ADJ KNOB	1	
77	63111-88L00-OEP	.HOUSING, TILLER HANDLE (BLACK)	1	
78	33834-88L00	.TUBE, CABLE PROTECTOR	1	
79	65793-88L00	.HOLDER, FUEL HOSE	1	
80	09116-06237	.BOLT (6X15)	2	
81	22511-99011	.NIPPLE, GREASE	1	
82	43411-88L00	.ADJUSTER, STEERING	1	
83	43415-88L00	.PLATE, STEERING ADJUSTER	1	
84	43512-88L00	.SHAFT, STEERING ADJ THREAD	1	
85	43513-88L00	.BOLT, STEERING ADJUSTER	1	
86	43514-88L00	.PLATE, STEERING ADJ FRICTION	2	
87	43515-88L00	.WASHER, STRG ADJ FRICTION PLATE	2	
88	43516-88L00	.WASHER, STRG ADJ FRICTION	1	
89	43517-88L00	.SPACER, STEERING ADJUSTER	1	

DF60A_E01_014

FIG.485

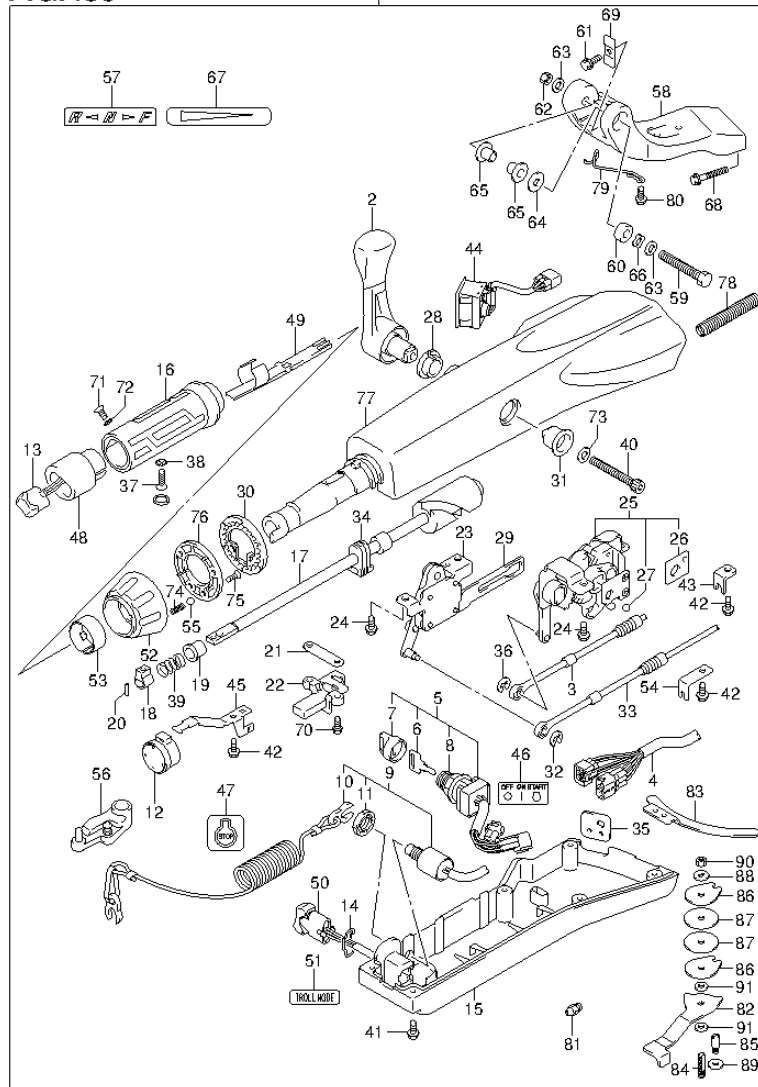
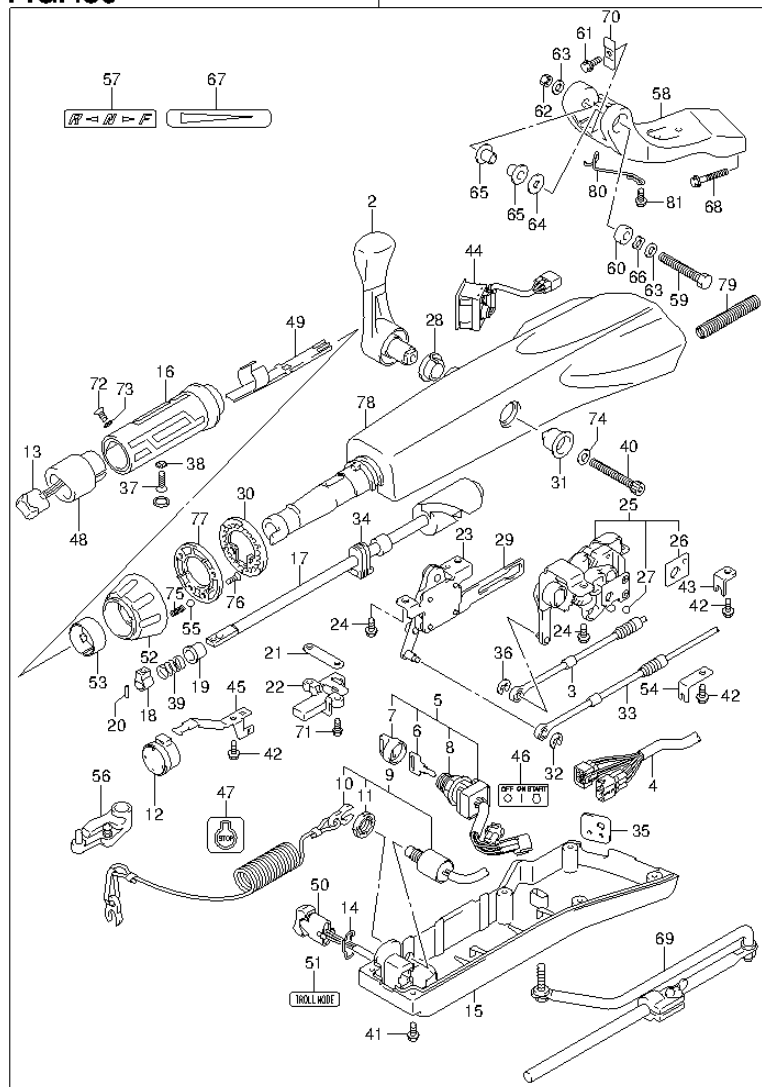


FIG.485 (5-B-4) OPT:TILLER HANDLE (DF50A E01)

REF NO.	PART NO.	DESCRIPTION	Q'TY	REMARKS
90	09159-08059	.NUT	1	
91	09161-08011	.WASHER (8.2X18X1.2)	2	

FIG.486



DF60A_E01_014_486
OPT:TILLER HANDLE

FIG.486 (5-B-5) OPT:TILLER HANDLE (DF60A E01)

REF NO.	PART NO.	DESCRIPTION	Q'TY	REMARKS
1	63002-88L10-OEP	KIT TILLER HANDLE (BLACK)	1	
2	21110-88L00	.LEVER, SHIFT	1	
3	23230-88L00	.CABLE, SHIFT	1	
4	36620-88L10	.WIRE ASSY, HARNESS	1	
5	37110-87L01	.SWITCH ASSY, IGNITION	1	
6-1	37141-99E00	..KEY (931)	1	
6-2	37141-99E10	..KEY (932)	1	
6-3	37141-99E20	..KEY (933)	1	
6-4	37141-99E30	..KEY (934)	1	
6-5	37141-99E40	..KEY (935)	1	
6-6	37141-99E50	..KEY (936)	1	
6-7	37141-99E60	..KEY (937)	1	
6-8	37141-99E70	..KEY (938)	1	
6-9	37141-99E80	..KEY (939)	1	
6-10	37141-99E90	..KEY (940)	1	
6-11	37141-99EA0	..KEY (941)	1	
6-12	37141-99EB0	..KEY (942)	1	
7	37143-99E00	..CAP, KEY	1	
8	37149-93J00	..CAP, CYLINDER BODY	1	
9	37820-87L00	.SWITCH ASSY, EMERGENCY	1	
10	37823-92E01	..PLATE, LOCK	1	
11	37826-92E00	..NUT	1	
12	38500-93J90	.BUZZER	1	
13	37850-87L00	.SWITCH ASSY, PTT	1	
14	37852-87J00	.PLATE, TRIM SWITCH	1	
15	63121-88L00	.COVER, UNDER	1	
16	63210-88L00	.GRIP, HANDLE	1	
17	63221-88L00	.SHAFT, THROTTLE	1	
18	63223-92D00	.STOPPER, HANDLE ROD	1	
19	63225-88L00	.BUSH, HANDLE ROD	1	
20	63227-93200	.PIN, HANDLE ROD	1	
21	63235-88L00	.PLATE, THROTTLE SHAFT	1	
22	63246-88L00	.STOPPER THROTTLE ADJ	1	
23	63250-88L00	.ARM ASSY, THROTTLE	1	

DF60A_E01_014

FIG.486

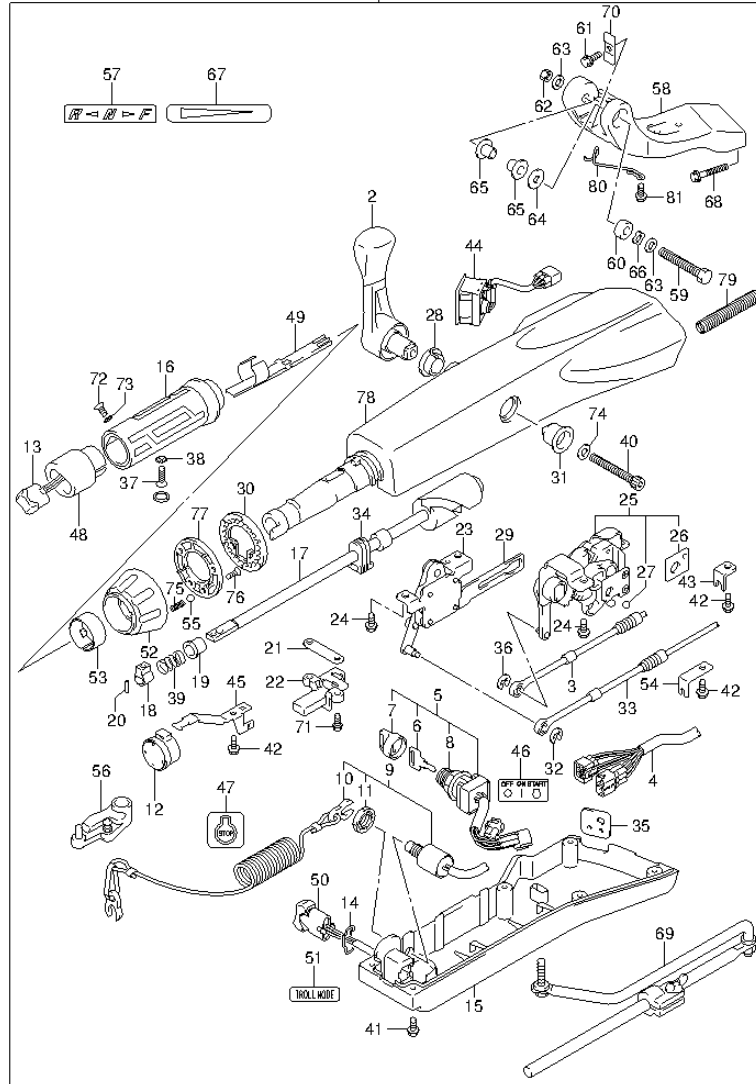
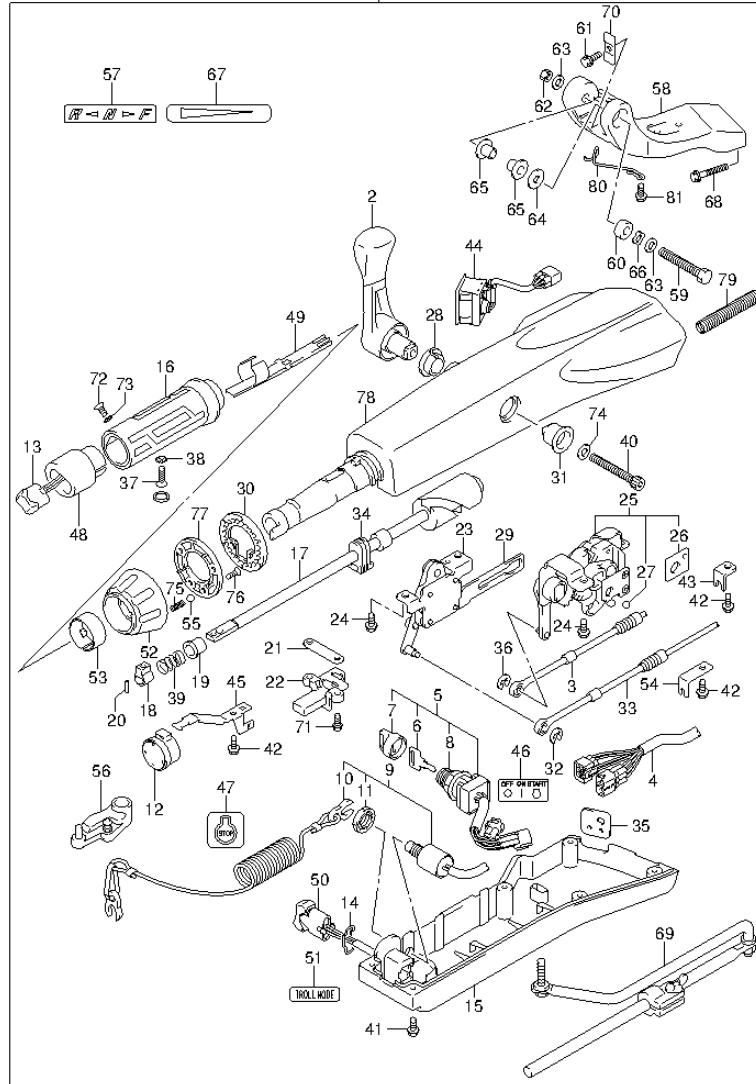


FIG.486 (5-B-6) OPT:TILLER HANDLE (DF60A E01)

REF NO.	PART NO.	DESCRIPTION	Q'TY	REMARKS
24	63251-87J00	.BOLT, SHIFT GEAR ASSY	4	
25	63260-88L00	.GEAR ASSY, SHIFT	1	
26	63272-87J00	.PLATE, BALL GUIDE	1	
27	63273-87J00	.BALL	1	
28	63262-87J00	.BUSH, SHIFT LEVER	1	
29	63271-87J00	.PLATE, LOCK	1	
30	63248-99J00	.PLATE, THROTTLE ADJ NOTCH	1	
31	63261-87J00	.BUSH, SHIFT GEAR	1	
32	63274-87J00	E RING	1	
33	63610-88L00	.CABLE, THROTTLE	1	
34	37853-88L90	.GROMMET, PTT SWITCH LEAD	1	
35	63626-88L00	.GROMMET, WIRE HARNESS	1	
36	67292-87J00	E RING	2	
37	09126-06015	.SCREW (6X23)	1	
38	09163-06001	.LOCK WASHER	1	
39	09440-12027	.SPRING	1	
40	21112-88L00	.BOLT SHIFT LEVER	1	
41	09125-05047	.SCREW (5X14)	6	
42	63611-88L00	.BOLT CLAMP BRACKET	3	
43	63612-87J00	.BRACKET, CLAMP	1	
44	34200-87L00	.TACHOMETER ASSY, WITH MONITOR	1	
45	36617-88L90	.CLAMP PLATE, MAIN HARNESS	1	
46	37112-88L90	.LABEL, IGNITION SWITCH	1	
47	37835-95D00	.LABEL, STOP	1	
48	37851-88L90	.BASE, PTT SWITCH	1	
49	37852-88L90	.HARNESS, GUIDE	1	
50	37861-87L10	.SWITCH, TROLLING CONTROL	1	
51	37864-88L90	.LABEL, TROLL MODE	1	
52	63244-99J00	.KNOB, THROTTLE ADJ	1	
53	63245-99J00	.BUSH, THROTTLE ADJ	1	
54	63612-88L10	.BRACKET, CLAMP SHIFT	1	
55	09260-10006	.BALL	1	
56	19120-88L11	.LEVER, THROTTLE	1	
57	21131-88L00	.MARK, CLUTCH SHIFT	1	

FIG.486



DF60A_E01_014_486
OPT:TILLER HANDLE

FIG.486 (5-B-7) OPT:TILLER HANDLE (DF60A E01)

REF NO.	PART NO.	DESCRIPTION	Q'TY	REMARKS
58	43761-88L01-OEP	.BRACKET, TILLER HANDLE (BLACK)	1	
59	43762-88L00	.BOLT TILLER HANDLE PIVOT	1	
60	43768-88L00	.SPACER, TILLER HANDLE	1	
61	09116-08137	.BOLT (8X22)	1	
62	09159-12014	.NUT	1	
63	09160-12066	.WASHER (12.5X22X2.5)	2	
64	09160-12124	.WASHER (12.5X32X1.5)	1	
65	63115-88L00	.BUSH, TILLER HANDLE	2	
66	09164-13010	.WASHER	1	
67	63215-93110	.MARK, HANDLE GRIP	1	
68	09116-10150	.BOLT (10X55)	2	
69	43770-99E03	.ADJUSTER ASSY, STEERING	1	
70	63132-88L00	.STOPPER, TILLER HANDLE	1	
71	63251-88L90	.BOLT	2	
72	37855-88L90	.SCREW, THROTTLE GRIP	1	
73	37854-88L90	.WASHER, THROTTLE GRIP	1	
74	63258-88L00	.WASHER	1	
75	09440-06037	.SPRING	1	
76	03522-05169	.SCREW	3	
77	63247-99J00	.PLATE, THROTTLE ADJ KNOB	1	
78	63111-88L00-OEP	.HOUSING, TILLER HANDLE (BLACK)	1	
79	33834-88L00	.TUBE, CABLE PROTECTOR	1	
80	65793-88L00	.HOLDER, FUEL HOSE	1	
81	09116-06237	.BOLT (6X15)	2	

DF60A_E01_014

FIG.487

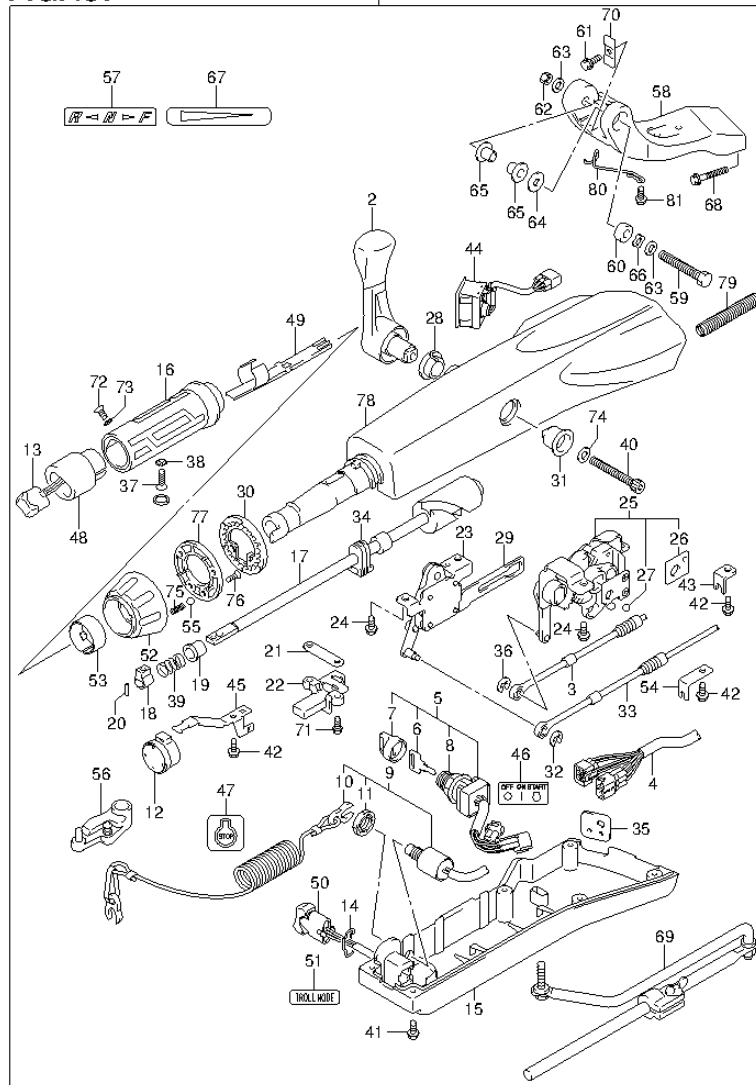


FIG.487 (5-B-8) OPT:TILLER HANDLE (DF60A E40)

REF NO.	PART NO.	DESCRIPTION	Q'TY	REMARKS
1	63002-88L10-OEP	KIT TILLER HANDLE (BLACK)	1	
2	21110-88L00	.LEVER, SHIFT	1	
3	23230-88L00	.CABLE, SHIFT	1	
4	36620-88L10	.WIRE ASSY, HARNESS	1	
5	37110-87L01	.SWITCH ASSY, IGNITION	1	
6-1	37141-99E00	..KEY (931)	1	
6-2	37141-99E10	..KEY (932)	1	
6-3	37141-99E20	..KEY (933)	1	
6-4	37141-99E30	..KEY (934)	1	
6-5	37141-99E40	..KEY (935)	1	
6-6	37141-99E50	..KEY (936)	1	
6-7	37141-99E60	..KEY (937)	1	
6-8	37141-99E70	..KEY (938)	1	
6-9	37141-99E80	..KEY (939)	1	
6-10	37141-99E90	..KEY (940)	1	
6-11	37141-99EA0	..KEY (941)	1	
6-12	37141-99EB0	..KEY (942)	1	
7	37143-99E00	..CAP, KEY	1	
8	37149-93J00	..CAP, CYLINDER BODY	1	
9	37820-87L00	.SWITCH ASSY, EMERGENCY	1	
10	37823-92E01	..PLATE, LOCK	1	
11	37826-92E00	..NUT	1	
12	38500-93J90	.BUZZER	1	
13	37850-87L00	.SWITCH ASSY, PTT	1	
14	37852-87J00	.PLATE, TRIM SWITCH	1	
15	63121-88L00	.COVER, UNDER	1	
16	63210-88L00	.GRIP, HANDLE	1	
17	63221-88L00	.SHAFT, THROTTLE	1	
18	63223-92D00	.STOPPER, HANDLE ROD	1	
19	63225-88L00	.BUSH, HANDLE ROD	1	
20	63227-93200	.PIN, HANDLE ROD	1	
21	63235-88L00	.PLATE, THROTTLE SHAFT	1	
22	63246-88L00	.STOPPER THROTTLE ADJ	1	
23	63250-88L00	.ARM ASSY, THROTTLE	1	

FIG.487

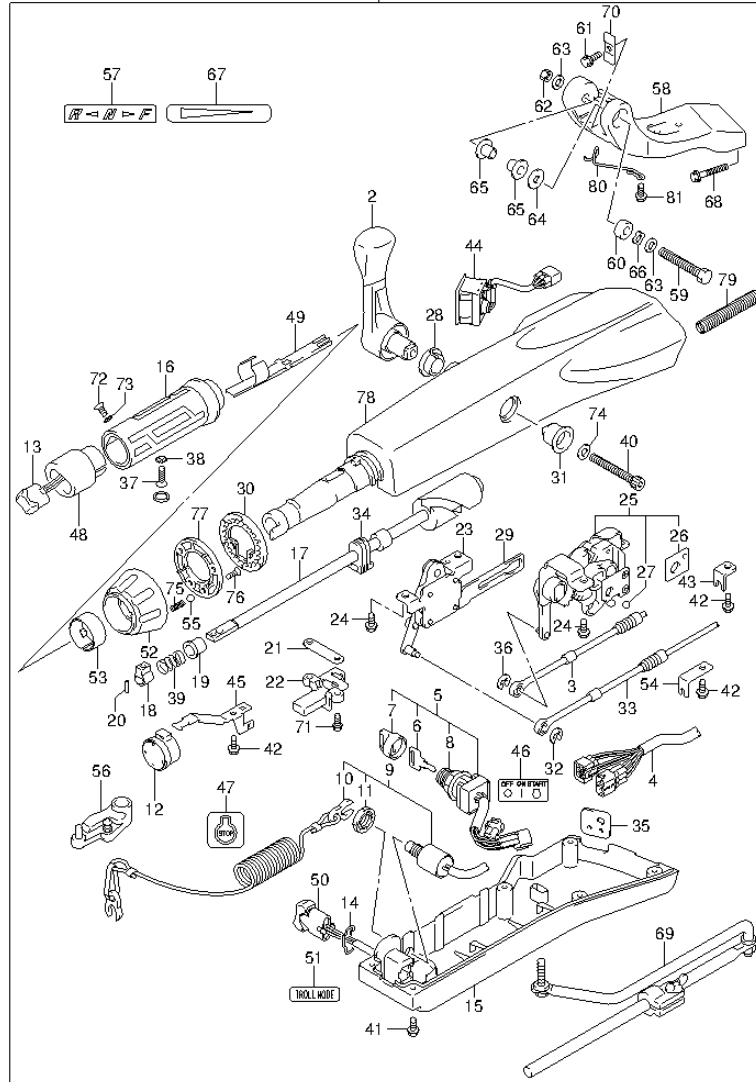


FIG.487 (5-B-9) OPT:TILLER HANDLE (DF60A E40)

REF NO.	PART NO.	DESCRIPTION	Q'TY	REMARKS
24	63251-87J00	.BOLT, SHIFT GEAR ASSY	4	
25	63260-88L00	.GEAR ASSY, SHIFT	1	
26	63272-87J00	.PLATE, BALL GUIDE	1	
27	63273-87J00	.BALL	1	
28	63262-87J00	.BUSH, SHIFT LEVER	1	
29	63271-87J00	.PLATE, LOCK	1	
30	63248-99J00	.PLATE, THROTTLE ADJ NOTCH	1	
31	63261-87J00	.BUSH, SHIFT GEAR	1	
32	63274-87J00	E RING	1	
33	63610-88L00	.CABLE, THROTTLE	1	
34	37853-88L90	.GROMMET, PTT SWITCH LEAD	1	
35	63626-88L00	.GROMMET, WIRE HARNESS	1	
36	67292-87J00	E RING	2	
37	09126-06015	.SCREW (6X23)	1	
38	09163-06001	.LOCK WASHER	1	
39	09440-12027	.SPRING	1	
40	21112-88L00	.BOLT SHIFT LEVER	1	
41	09125-05047	.SCREW (5X14)	6	
42	63611-88L00	.BOLT CLAMP BRACKET	3	
43	63612-87J00	.BRACKET, CLAMP	1	
44	34200-87L00	.TACHOMETER ASSY, WITH MONITOR	1	
45	36617-88L90	.CLAMP PLATE, MAIN HARNESS	1	
46	37112-88L90	.LABEL, IGNITION SWITCH	1	
47	37835-95D00	.LABEL, STOP	1	
48	37851-88L90	.BASE, PTT SWITCH	1	
49	37852-88L90	.HARNESS, GUIDE	1	
50	37861-87L10	.SWITCH, TROLLING CONTROL	1	
51	37864-88L90	.LABEL, TROLL MODE	1	
52	63244-99J00	.KNOB, THROTTLE ADJ	1	
53	63245-99J00	.BUSH, THROTTLE ADJ	1	
54	63612-88L10	.BRACKET, CLAMP SHIFT	1	
55	09260-10006	.BALL	1	
56	19120-88L11	.LEVER, THROTTLE	1	
57	21131-88L00	.MARK, CLUTCH SHIFT	1	

FIG.487

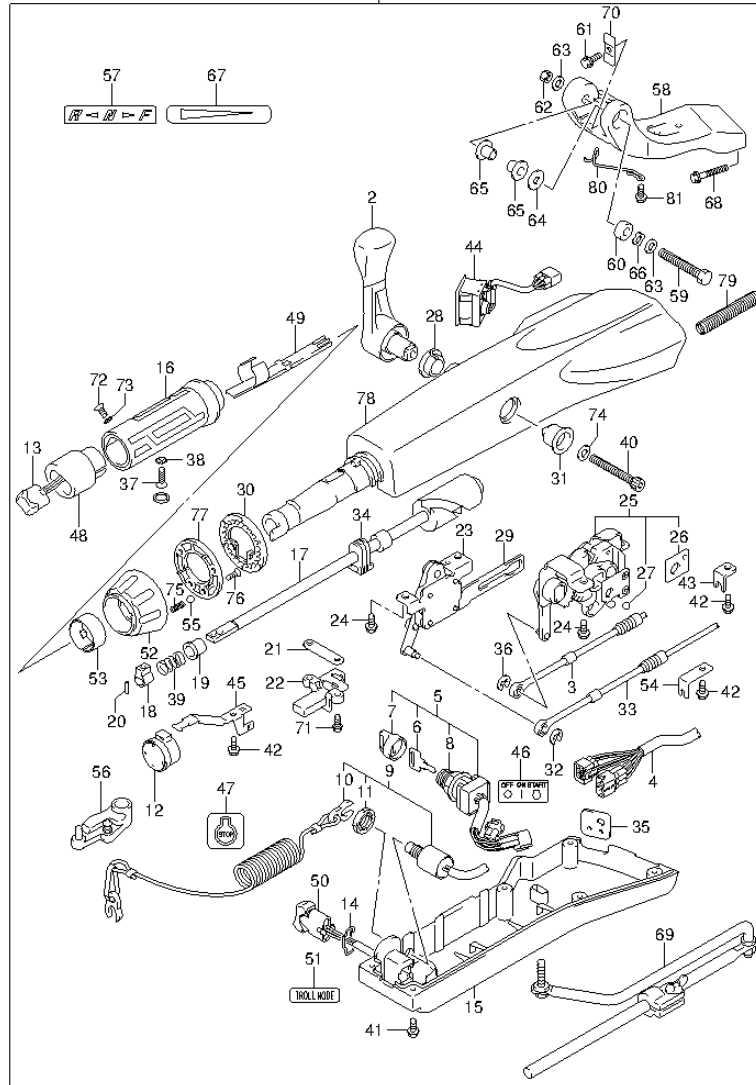


FIG.487 (5-B-10) OPT:TILLER HANDLE (DF60A E40)

REF NO.	PART NO.	DESCRIPTION	Q'TY	REMARKS
58	43761-88L01-OEP	.BRACKET, TILLER HANDLE (BLACK)	1	
59	43762-88L00	.BOLT TILLER HANDLE PIVOT	1	
60	43768-88L00	.SPACER, TILLER HANDLE	1	
61	09116-08137	.BOLT (8X22)	1	
62	09159-12014	.NUT	1	
63	09160-12066	.WASHER (12.5X22X2.5)	2	
64	09160-12124	.WASHER (12.5X32X1.5)	1	
65	63115-88L00	.BUSH, TILLER HANDLE	2	
66	09164-13010	.WASHER	1	
67	63215-93110	.MARK, HANDLE GRIP	1	
68	09116-10150	.BOLT (10X55)	2	
69	43770-99E03	.ADJUSTER ASSY, STEERING	1	
70	63132-88L00	.STOPPER, TILLER HANDLE	1	
71	63251-88L90	.BOLT	2	
72	37855-88L90	.SCREW, THROTTLE GRIP	1	
73	37854-88L90	.WASHER, THROTTLE GRIP	1	
74	63258-88L00	.WASHER	1	
75	09440-06037	.SPRING	1	
76	03522-05169	.SCREW	3	
77	63247-99J00	.PLATE, THROTTLE ADJ KNOB	1	
78	63111-88L00-OEP	.HOUSING, TILLER HANDLE (BLACK)	1	
79	33834-88L00	.TUBE, CABLE PROTECTOR	1	
80	65793-88L00	.HOLDER, FUEL HOSE	1	
81	09116-06237	.BOLT (6X15)	2	

FIG.488

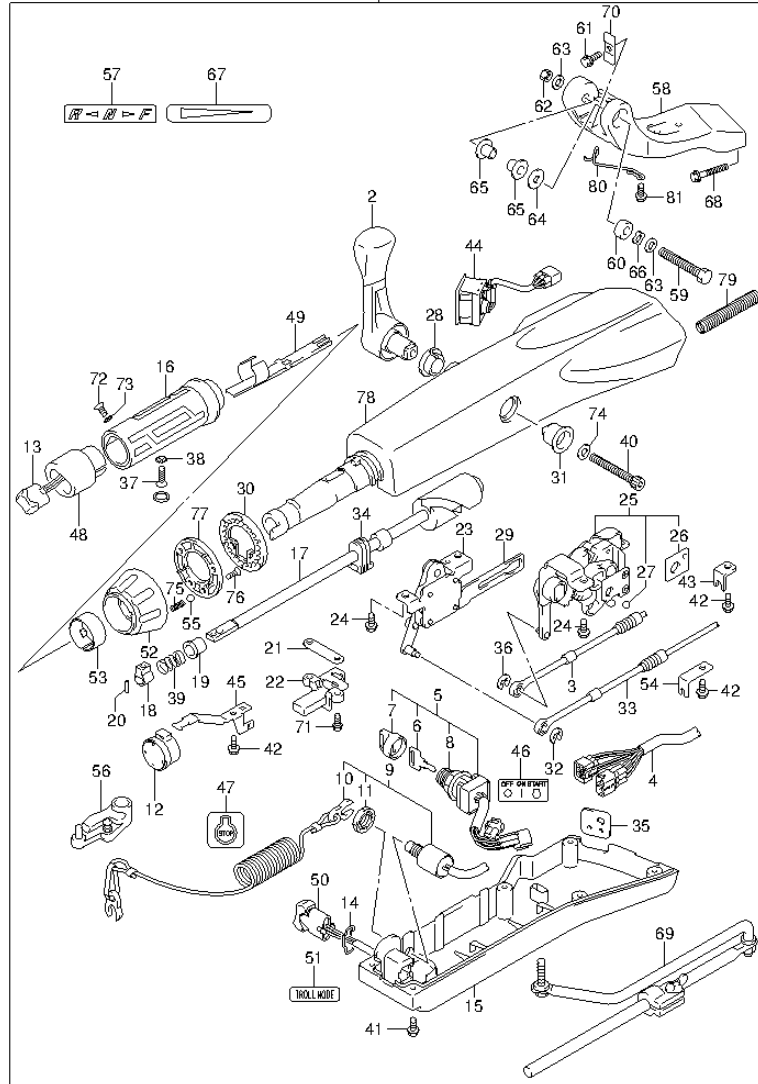


FIG.488 (5-B-11) OPT:TILLER HANDLE (DF50AVT E01)

REF NO.	PART NO.	DESCRIPTION	Q'TY	REMARKS
1	63002-88L10-OEP	KIT TILLER HANDLE (BLACK)	1	
2	21110-88L00	.LEVER, SHIFT	1	
3	23230-88L00	.CABLE, SHIFT	1	
4	36620-88L10	.WIRE ASSY, HARNESS	1	
5	37110-87L01	.SWITCH ASSY, IGNITION	1	
6-1	37141-99E00	..KEY (931)	1	
6-2	37141-99E10	..KEY (932)	1	
6-3	37141-99E20	..KEY (933)	1	
6-4	37141-99E30	..KEY (934)	1	
6-5	37141-99E40	..KEY (935)	1	
6-6	37141-99E50	..KEY (936)	1	
6-7	37141-99E60	..KEY (937)	1	
6-8	37141-99E70	..KEY (938)	1	
6-9	37141-99E80	..KEY (939)	1	
6-10	37141-99E90	..KEY (940)	1	
6-11	37141-99EA0	..KEY (941)	1	
6-12	37141-99EB0	..KEY (942)	1	
7	37143-99E00	..CAP, KEY	1	
8	37149-93J00	..CAP, CYLINDER BODY	1	
9	37820-87L00	.SWITCH ASSY, EMERGENCY	1	
10	37823-92E01	..PLATE, LOCK	1	
11	37826-92E00	..NUT	1	
12	38500-93J90	.BUZZER	1	
13	37850-87L00	.SWITCH ASSY, PTT	1	
14	37852-87J00	.PLATE, TRIM SWITCH	1	
15	63121-88L00	.COVER, UNDER	1	
16	63210-88L00	.GRIP, HANDLE	1	
17	63221-88L00	.SHAFT, THROTTLE	1	
18	63223-92D00	.STOPPER, HANDLE ROD	1	
19	63225-88L00	.BUSH, HANDLE ROD	1	
20	63227-93200	.PIN, HANDLE ROD	1	
21	63235-88L00	.PLATE, THROTTLE SHAFT	1	
22	63246-88L00	.STOPPER THROTTLE ADJ	1	
23	63250-88L00	.ARM ASSY, THROTTLE	1	

FIG.488

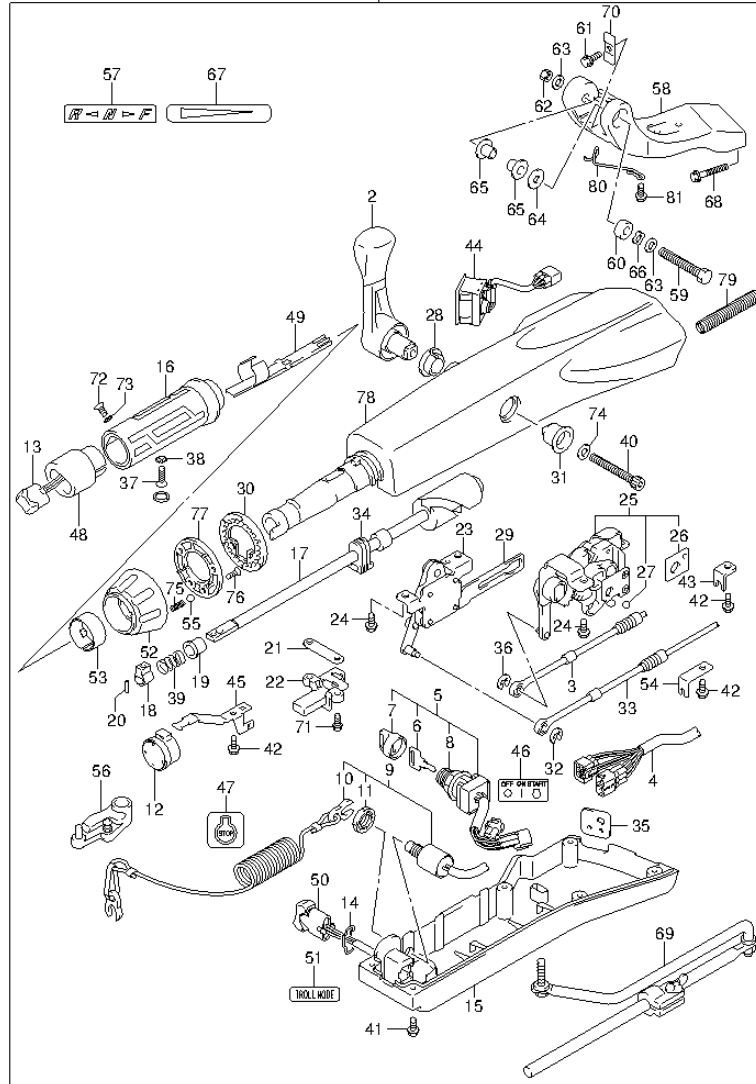


FIG.488 (5-B-12) OPT:TILLER HANDLE (DF50AVT E01)

REF NO.	PART NO.	DESCRIPTION	Q'TY	REMARKS
24	63251-87J00	.BOLT, SHIFT GEAR ASSY	4	
25	63260-88L00	.GEAR ASSY, SHIFT	1	
26	63272-87J00	..PLATE, BALL GUIDE	1	
27	63273-87J00	..BALL	1	
28	63262-87J00	.BUSH, SHIFT LEVER	1	
29	63271-87J00	.PLATE, LOCK	1	
30	63248-99J00	.PLATE, THROTTLE ADJ NOTCH	1	
31	63261-87J00	.BUSH, SHIFT GEAR	1	
32	63274-87J00	E RING	1	
33	63610-88L00	.CABLE, THROTTLE	1	
34	37853-88L90	.GROMMET, PTT SWITCH LEAD	1	
35	63626-88L00	.GROMMET, WIRE HARNESS	1	
36	67292-87J00	E RING	2	
37	09126-06015	.SCREW (6X23)	1	
38	09163-06001	.LOCK WASHER	1	
39	09440-12027	.SPRING	1	
40	21112-88L00	.BOLT SHIFT LEVER	1	
41	09125-05047	.SCREW (5X14)	6	
42	63611-88L00	.BOLT CLAMP BRACKET	3	
43	63612-87J00	.BRACKET, CLAMP	1	
44	34200-87L00	.TACHOMETER ASSY, WITH MONITOR	1	
45	36617-88L90	.CLAMP PLATE, MAIN HARNESS	1	
46	37112-88L90	.LABEL, IGNITION SWITCH	1	
47	37835-95D00	.LABEL, STOP	1	
48	37851-88L90	.BASE, PTT SWITCH	1	
49	37852-88L90	.HARNESS, GUIDE	1	
50	37861-87L10	.SWITCH, TROLLING CONTROL	1	
51	37864-88L90	.LABEL, TROLL MODE	1	
52	63244-99J00	.KNOB, THROTTLE ADJ	1	
53	63245-99J00	.BUSH, THROTTLE ADJ	1	
54	63612-88L10	.BRACKET, CLAMP SHIFT	1	
55	09260-10006	.BALL	1	
56	19120-88L11	.LEVER, THROTTLE	1	
57	21131-88L00	.MARK, CLUTCH SHIFT	1	

FIG.488

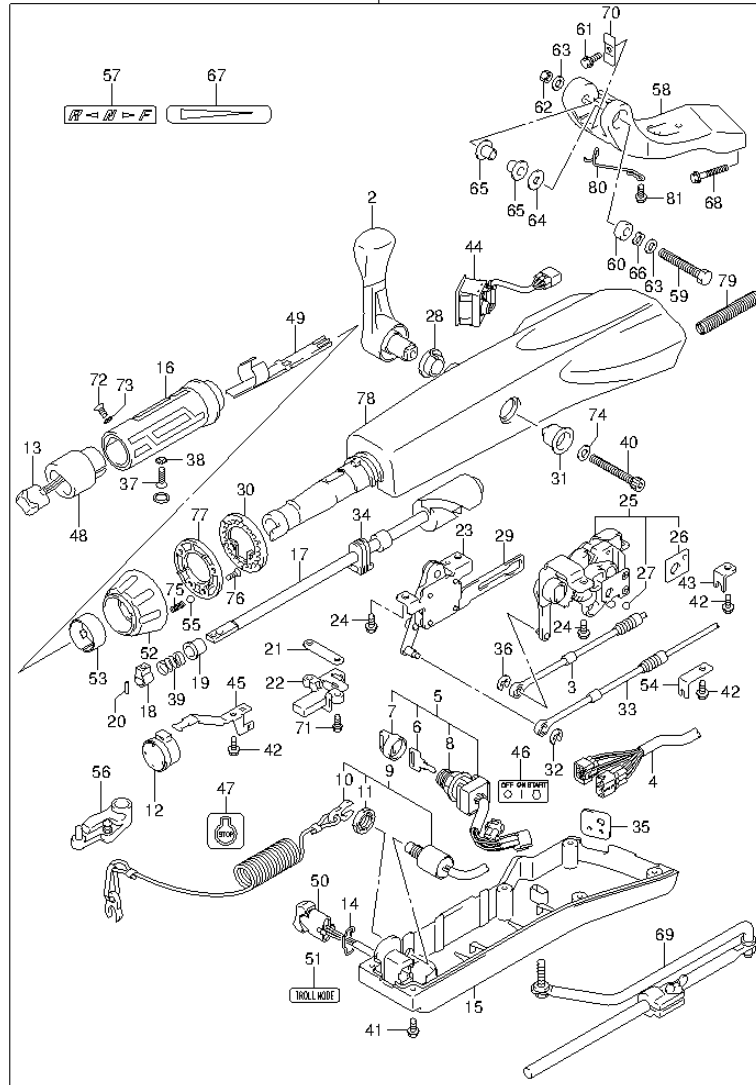


FIG.488 (5-B-13) OPT:TILLER HANDLE (DF50AVT E01)

REF NO.	PART NO.	DESCRIPTION	Q'TY	REMARKS
58	43761-88L01-OEP	.BRACKET, TILLER HANDLE (BLACK)	1	
59	43762-88L00	.BOLT TILLER HANDLE PIVOT	1	
60	43768-88L00	.SPACER, TILLER HANDLE	1	
61	09116-08137	.BOLT (8X22)	1	
62	09159-12014	.NUT	1	
63	09160-12066	.WASHER (12.5X22X2.5)	2	
64	09160-12124	.WASHER (12.5X32X1.5)	1	
65	63115-88L00	.BUSH, TILLER HANDLE	2	
66	09164-13010	.WASHER	1	
67	63215-93110	.MARK, HANDLE GRIP	1	
68	09116-10150	.BOLT (10X55)	2	
69	43770-99E03	.ADJUSTER ASSY, STEERING	1	
70	63132-88L00	.STOPPER, TILLER HANDLE	1	
71	63251-88L90	.BOLT	2	
72	37855-88L90	.SCREW, THROTTLE GRIP	1	
73	37854-88L90	.WASHER, THROTTLE GRIP	1	
74	63258-88L00	.WASHER	1	
75	09440-06037	.SPRING	1	
76	03522-05169	.SCREW	3	
77	63247-99J00	.PLATE, THROTTLE ADJ KNOB	1	
78	63111-88L00-OEP	.HOUSING, TILLER HANDLE (BLACK)	1	
79	33834-88L00	.TUBE, CABLE PROTECTOR	1	
80	65793-88L00	.HOLDER, FUEL HOSE	1	
81	09116-06237	.BOLT (6X15)	2	

FIG.489

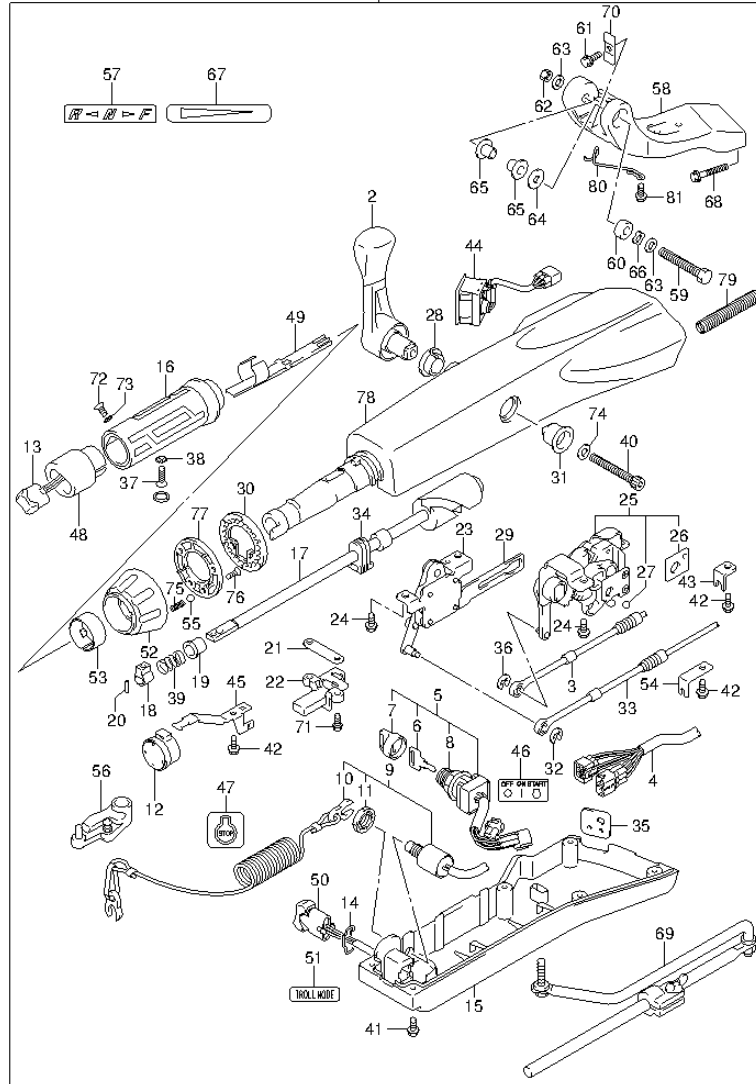


FIG.489 (5-B-14) OPT:TILLER HANDLE (DF60AVT E01)

REF NO.	PART NO.	DESCRIPTION	Q'TY	REMARKS
1	63002-88L10-OEP	KIT TILLER HANDLE (BLACK)	1	
2	21110-88L00	.LEVER, SHIFT	1	
3	23230-88L00	.CABLE, SHIFT	1	
4	36620-88L10	.WIRE ASSY, HARNESS	1	
5	37110-87L01	.SWITCH ASSY, IGNITION	1	
6-1	37141-99E00	..KEY (931)	1	
6-2	37141-99E10	..KEY (932)	1	
6-3	37141-99E20	..KEY (933)	1	
6-4	37141-99E30	..KEY (934)	1	
6-5	37141-99E40	..KEY (935)	1	
6-6	37141-99E50	..KEY (936)	1	
6-7	37141-99E60	..KEY (937)	1	
6-8	37141-99E70	..KEY (938)	1	
6-9	37141-99E80	..KEY (939)	1	
6-10	37141-99E90	..KEY (940)	1	
6-11	37141-99EA0	..KEY (941)	1	
6-12	37141-99EB0	..KEY (942)	1	
7	37143-99E00	..CAP, KEY	1	
8	37149-93J00	..CAP, CYLINDER BODY	1	
9	37820-87L00	.SWITCH ASSY, EMERGENCY	1	
10	37823-92E01	..PLATE, LOCK	1	
11	37826-92E00	..NUT	1	
12	38500-93J90	.BUZZER	1	
13	37850-87L00	.SWITCH ASSY, PTT	1	
14	37852-87J00	.PLATE, TRIM SWITCH	1	
15	63121-88L00	.COVER, UNDER	1	
16	63210-88L00	.GRIP, HANDLE	1	
17	63221-88L00	.SHAFT, THROTTLE	1	
18	63223-92D00	.STOPPER, HANDLE ROD	1	
19	63225-88L00	.BUSH, HANDLE ROD	1	
20	63227-93200	.PIN, HANDLE ROD	1	
21	63235-88L00	.PLATE, THROTTLE SHAFT	1	
22	63246-88L00	.STOPPER THROTTLE ADJ	1	
23	63250-88L00	.ARM ASSY, THROTTLE	1	

FIG.489

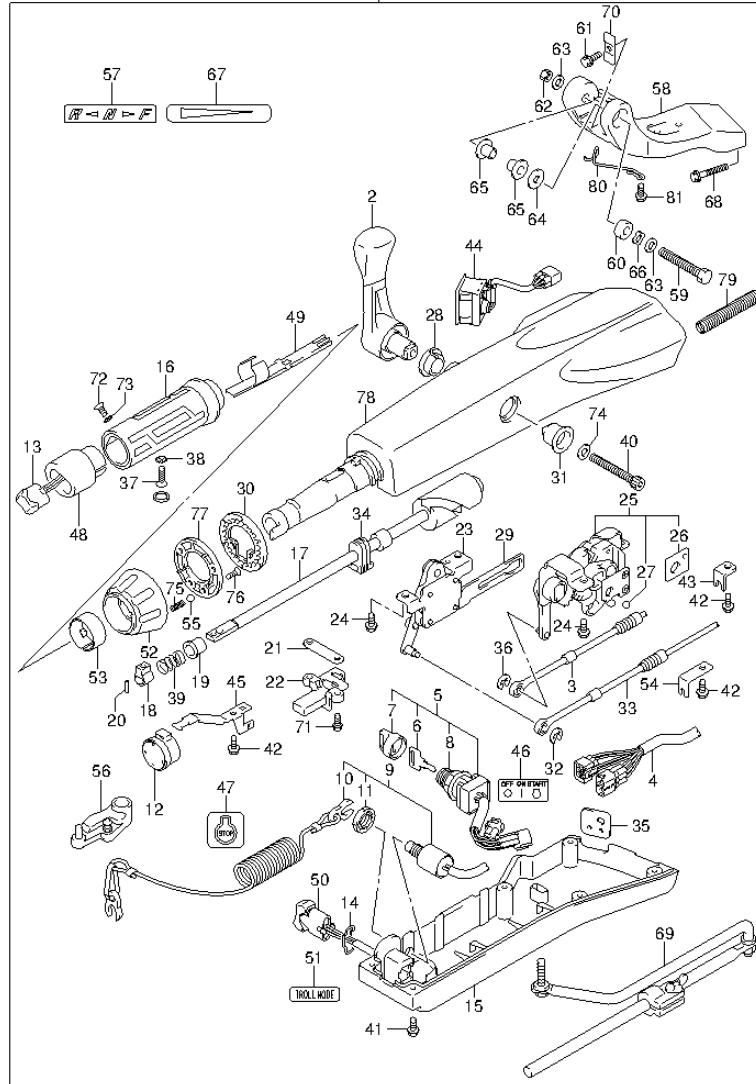


FIG.489 (5-B-15) OPT:TILLER HANDLE (DF60AVT E01)

REF NO.	PART NO.	DESCRIPTION	Q'TY	REMARKS
24	63251-87J00	.BOLT, SHIFT GEAR ASSY	4	
25	63260-88L00	.GEAR ASSY, SHIFT	1	
26	63272-87J00	..PLATE, BALL GUIDE	1	
27	63273-87J00	..BALL	1	
28	63262-87J00	.BUSH, SHIFT LEVER	1	
29	63271-87J00	.PLATE, LOCK	1	
30	63248-99J00	.PLATE, THROTTLE ADJ NOTCH	1	
31	63261-87J00	.BUSH, SHIFT GEAR	1	
32	63274-87J00	E RING	1	
33	63610-88L00	.CABLE, THROTTLE	1	
34	37853-88L90	.GROMMET, PTT SWITCH LEAD	1	
35	63626-88L00	.GROMMET, WIRE HARNESS	1	
36	67292-87J00	E RING	2	
37	09126-06015	.SCREW (6X23)	1	
38	09163-06001	.LOCK WASHER	1	
39	09440-12027	.SPRING	1	
40	21112-88L00	.BOLT SHIFT LEVER	1	
41	09125-05047	.SCREW (5X14)	6	
42	63611-88L00	.BOLT CLAMP BRACKET	3	
43	63612-87J00	.BRACKET, CLAMP	1	
44	34200-87L00	.TACHOMETER ASSY, WITH MONITOR	1	
45	36617-88L90	.CLAMP PLATE, MAIN HARNESS	1	
46	37112-88L90	.LABEL, IGNITION SWITCH	1	
47	37835-95D00	.LABEL, STOP	1	
48	37851-88L90	.BASE, PTT SWITCH	1	
49	37852-88L90	.HARNESS, GUIDE	1	
50	37861-87L10	.SWITCH, TROLLING CONTROL	1	
51	37864-88L90	.LABEL, TROLL MODE	1	
52	63244-99J00	.KNOB, THROTTLE ADJ	1	
53	63245-99J00	.BUSH, THROTTLE ADJ	1	
54	63612-88L10	.BRACKET, CLAMP SHIFT	1	
55	09260-10006	.BALL	1	
56	19120-88L11	.LEVER, THROTTLE	1	
57	21131-88L00	.MARK, CLUTCH SHIFT	1	

FIG.489

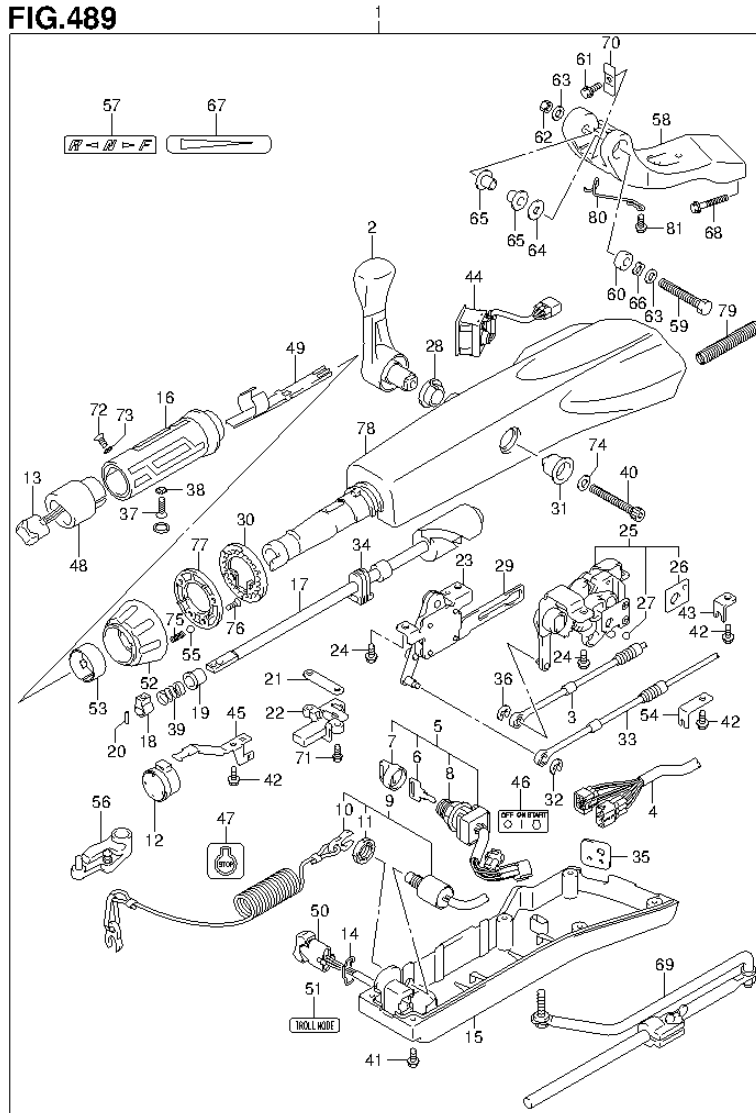


FIG.489 (5-C-2) OPT:TILLER HANDLE (DF60AVT E01)

REF NO.	PART NO.	DESCRIPTION	Q'TY	REMARKS
58	43761-88L01-OEP	.BRACKET, TILLER HANDLE (BLACK)	1	
59	43762-88L00	.BOLT TILLER HANDLE PIVOT	1	
60	43768-88L00	.SPACER, TILLER HANDLE	1	
61	09116-08137	.BOLT (8X22)	1	
62	09159-12014	.NUT	1	
63	09160-12066	.WASHER (12.5X22X2.5)	2	
64	09160-12124	.WASHER (12.5X32X1.5)	1	
65	63115-88L00	.BUSH, TILLER HANDLE	2	
66	09164-13010	.WASHER	1	
67	63215-93110	.MARK, HANDLE GRIP	1	
68	09116-10150	.BOLT (10X55)	2	
69	43770-99E03	.ADJUSTER ASSY, STEERING	1	
70	63132-88L00	.STOPPER, TILLER HANDLE	1	
71	63251-88L90	.BOLT	2	
72	37855-88L90	.SCREW, THROTTLE GRIP	1	
73	37854-88L90	.WASHER, THROTTLE GRIP	1	
74	63258-88L00	.WASHER	1	
75	09440-06037	.SPRING	1	
76	03522-05169	.SCREW	3	
77	63247-99J00	.PLATE, THROTTLE ADJ KNOB	1	
78	63111-88L00-OEP	.HOUSING, TILLER HANDLE (BLACK)	1	
79	33834-88L00	.TUBE, CABLE PROTECTOR	1	
80	65793-88L00	.HOLDER, FUEL HOSE	1	
81	09116-06237	.BOLT (6X15)	2	

FIG.490

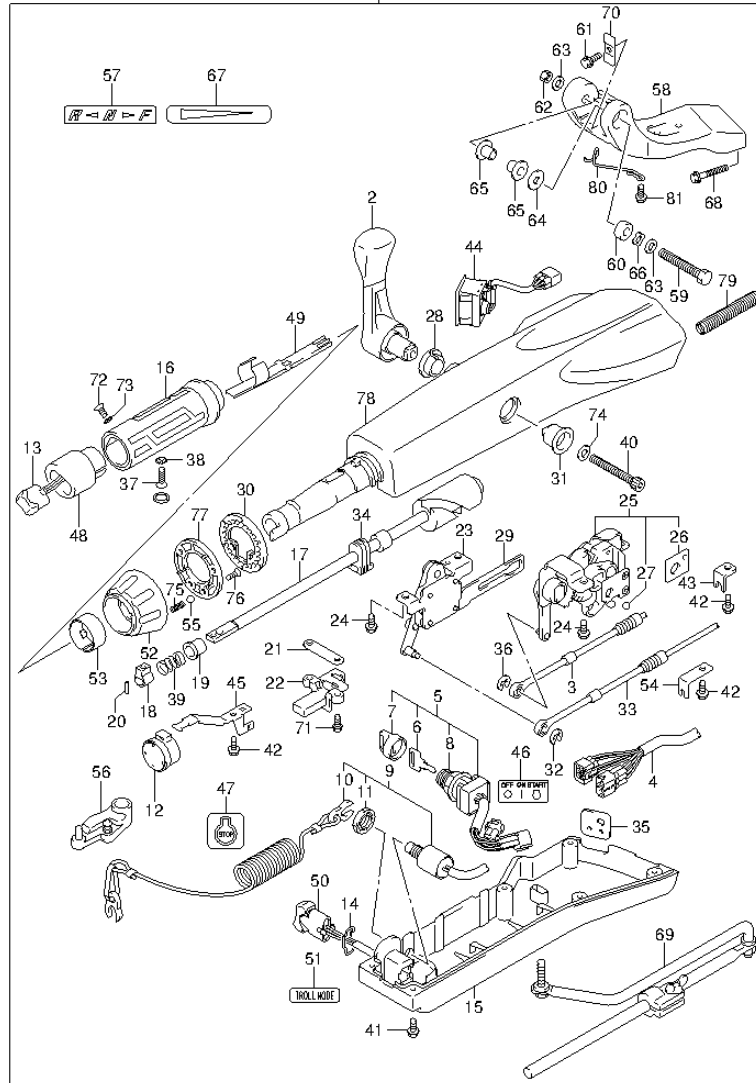
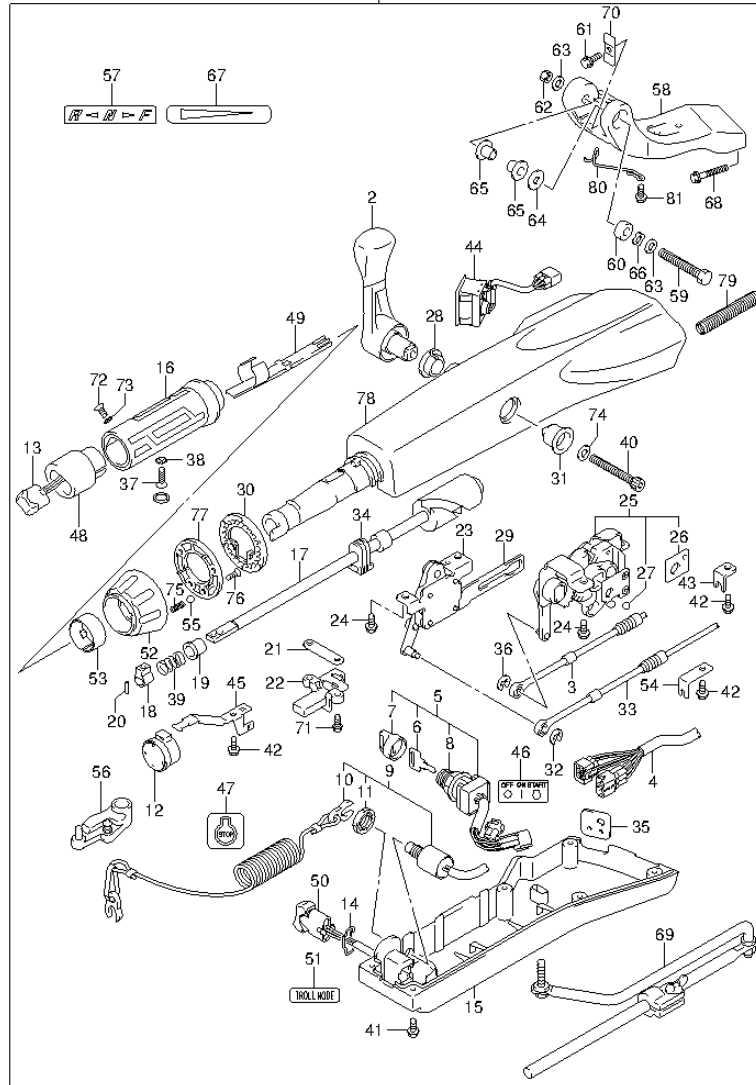


FIG.490 (5-C-3) OPT:TILLER HANDLE (DF60AVT E40)

REF NO.	PART NO.	DESCRIPTION	Q'TY	REMARKS
1	63002-88L10-OEP	KIT TILLER HANDLE (BLACK)	1	
2	21110-88L00	.LEVER, SHIFT	1	
3	23230-88L00	.CABLE, SHIFT	1	
4	36620-88L10	.WIRE ASSY, HARNESS	1	
5	37110-87L01	.SWITCH ASSY, IGNITION	1	
6-1	37141-99E00	..KEY (931)	1	
6-2	37141-99E10	..KEY (932)	1	
6-3	37141-99E20	..KEY (933)	1	
6-4	37141-99E30	..KEY (934)	1	
6-5	37141-99E40	..KEY (935)	1	
6-6	37141-99E50	..KEY (936)	1	
6-7	37141-99E60	..KEY (937)	1	
6-8	37141-99E70	..KEY (938)	1	
6-9	37141-99E80	..KEY (939)	1	
6-10	37141-99E90	..KEY (940)	1	
6-11	37141-99EA0	..KEY (941)	1	
6-12	37141-99EB0	..KEY (942)	1	
7	37143-99E00	..CAP, KEY	1	
8	37149-93J00	..CAP, CYLINDER BODY	1	
9	37820-87L00	.SWITCH ASSY, EMERGENCY	1	
10	37823-92E01	..PLATE, LOCK	1	
11	37826-92E00	..NUT	1	
12	38500-93J90	.BUZZER	1	
13	37850-87L00	.SWITCH ASSY, PTT	1	
14	37852-87J00	.PLATE, TRIM SWITCH	1	
15	63121-88L00	.COVER, UNDER	1	
16	63210-88L00	.GRIP, HANDLE	1	
17	63221-88L00	.SHAFT, THROTTLE	1	
18	63223-92D00	.STOPPER, HANDLE ROD	1	
19	63225-88L00	.BUSH, HANDLE ROD	1	
20	63227-93200	.PIN, HANDLE ROD	1	
21	63235-88L00	.PLATE, THROTTLE SHAFT	1	
22	63246-88L00	.STOPPER THROTTLE ADJ	1	
23	63250-88L00	.ARM ASSY, THROTTLE	1	

FIG.490



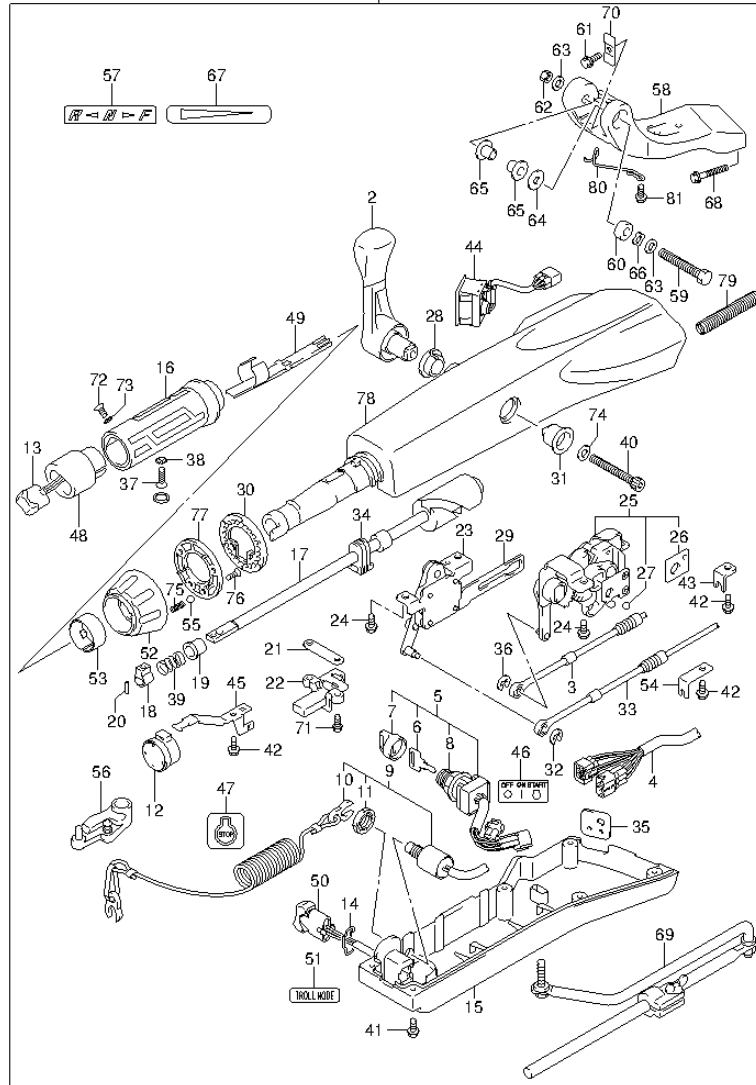
DF60A_E01_014_490
OPT:TILLER HANDLE

FIG.490 (5-C-4) OPT:TILLER HANDLE (DF60AVT E40)

REF NO.	PART NO.	DESCRIPTION	Q'TY	REMARKS
24	63251-87J00	.BOLT, SHIFT GEAR ASSY	4	
25	63260-88L00	.GEAR ASSY, SHIFT	1	
26	63272-87J00	..PLATE, BALL GUIDE	1	
27	63273-87J00	..BALL	1	
28	63262-87J00	.BUSH, SHIFT LEVER	1	
29	63271-87J00	.PLATE, LOCK	1	
30	63248-99J00	.PLATE, THROTTLE ADJ NOTCH	1	
31	63261-87J00	.BUSH, SHIFT GEAR	1	
32	63274-87J00	E RING	1	
33	63610-88L00	.CABLE, THROTTLE	1	
34	37853-88L90	.GROMMET, PTT SWITCH LEAD	1	
35	63626-88L00	.GROMMET, WIRE HARNESS	1	
36	67292-87J00	E RING	2	
37	09126-06015	.SCREW (6X23)	1	
38	09163-06001	.LOCK WASHER	1	
39	09440-12027	.SPRING	1	
40	21112-88L00	.BOLT SHIFT LEVER	1	
41	09125-05047	.SCREW (5X14)	6	
42	63611-88L00	.BOLT CLAMP BRACKET	3	
43	63612-87J00	.BRACKET, CLAMP	1	
44	34200-87L00	.TACHOMETER ASSY, WITH MONITOR	1	
45	36617-88L90	.CLAMP PLATE, MAIN HARNESS	1	
46	37112-88L90	.LABEL, IGNITION SWITCH	1	
47	37835-95D00	.LABEL, STOP	1	
48	37851-88L90	.BASE, PTT SWITCH	1	
49	37852-88L90	.HARNESS, GUIDE	1	
50	37861-87L10	.SWITCH, TROLLING CONTROL	1	
51	37864-88L90	.LABEL, TROLL MODE	1	
52	63244-99J00	.KNOB, THROTTLE ADJ	1	
53	63245-99J00	.BUSH, THROTTLE ADJ	1	
54	63612-88L10	.BRACKET, CLAMP SHIFT	1	
55	09260-10006	.BALL	1	
56	19120-88L11	.LEVER, THROTTLE	1	
57	21131-88L00	.MARK, CLUTCH SHIFT	1	

DF60A_E01_014

FIG.490



DF60A_E01_014_490
OPT:TILLER HANDLE

FIG.490 (5-C-5) OPT:TILLER HANDLE (DF60AVT E40)

REF NO.	PART NO.	DESCRIPTION	Q'TY	REMARKS
58	43761-88L01-OEP	.BRACKET, TILLER HANDLE (BLACK)	1	
59	43762-88L00	.BOLT TILLER HANDLE PIVOT	1	
60	43768-88L00	.SPACER, TILLER HANDLE	1	
61	09116-08137	.BOLT (8X22)	1	
62	09159-12014	.NUT	1	
63	09160-12066	.WASHER (12.5X22X2.5)	2	
64	09160-12124	.WASHER (12.5X32X1.5)	1	
65	63115-88L00	.BUSH, TILLER HANDLE	2	
66	09164-13010	.WASHER	1	
67	63215-93110	.MARK, HANDLE GRIP	1	
68	09116-10150	.BOLT (10X55)	2	
69	43770-99E03	.ADJUSTER ASSY, STEERING	1	
70	63132-88L00	.STOPPER, TILLER HANDLE	1	
71	63251-88L90	.BOLT	2	
72	37855-88L90	.SCREW, THROTTLE GRIP	1	
73	37854-88L90	.WASHER, THROTTLE GRIP	1	
74	63258-88L00	.WASHER	1	
75	09440-06037	.SPRING	1	
76	03522-05169	.SCREW	3	
77	63247-99J00	.PLATE, THROTTLE ADJ KNOB	1	
78	63111-88L00-OEP	.HOUSING, TILLER HANDLE (BLACK)	1	
79	33834-88L00	.TUBE, CABLE PROTECTOR	1	
80	65793-88L00	.HOLDER, FUEL HOSE	1	
81	09116-06237	.BOLT (6X15)	2	

DF60A_E01_014

FIG.491

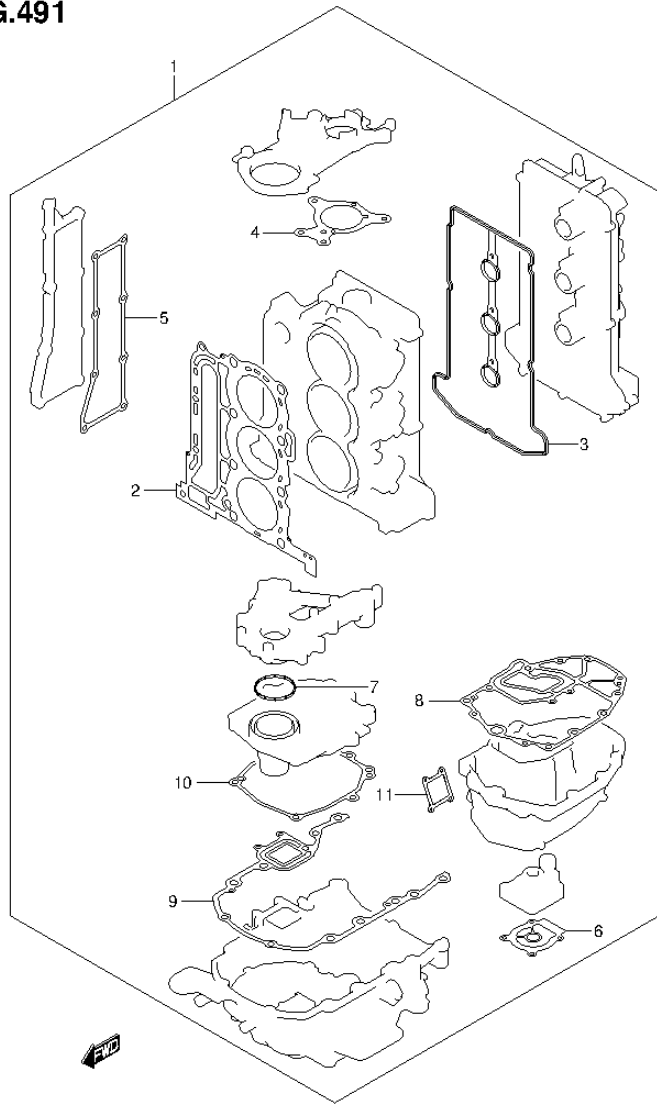


FIG.491 (5-C-6) OPT:GASKET SET

REF NO.	PART NO.	DESCRIPTION	Q'TY	REMARKS
1	11400-88870	GASKET SET	1	
2	11141-88L00	.GASKET, CYLINDER HEAD	1	
3	11189-88L00	.GASKET, CYLINDER HEAD COVER	1	
4	11413-88L00	.GASKET, UPPER OIL SEAL	1	
5	14151-88L00	.GASKET, EXHAUST COVER	1	
6	17472-96303	.GASKET, PUMP CASE UNDER	1	NOT AVAILABLE FOR AV TYPE ORDER 17472-87E10 FOR AV TYPE
7	11433-88L00	.GASKET, UNDER OIL SEAL	1	
8	11489-88L00	.GASKET, OIL PAN	1	
9	51211-88L00	.GASKET, ENGINE HOLDER	1	
10	51123-88L00	.GASKET, MOUNT CASE COVER	1	
11	11552-88L00	.GASKET, OIL PAN WTR JKT COV	1	

FIG.492

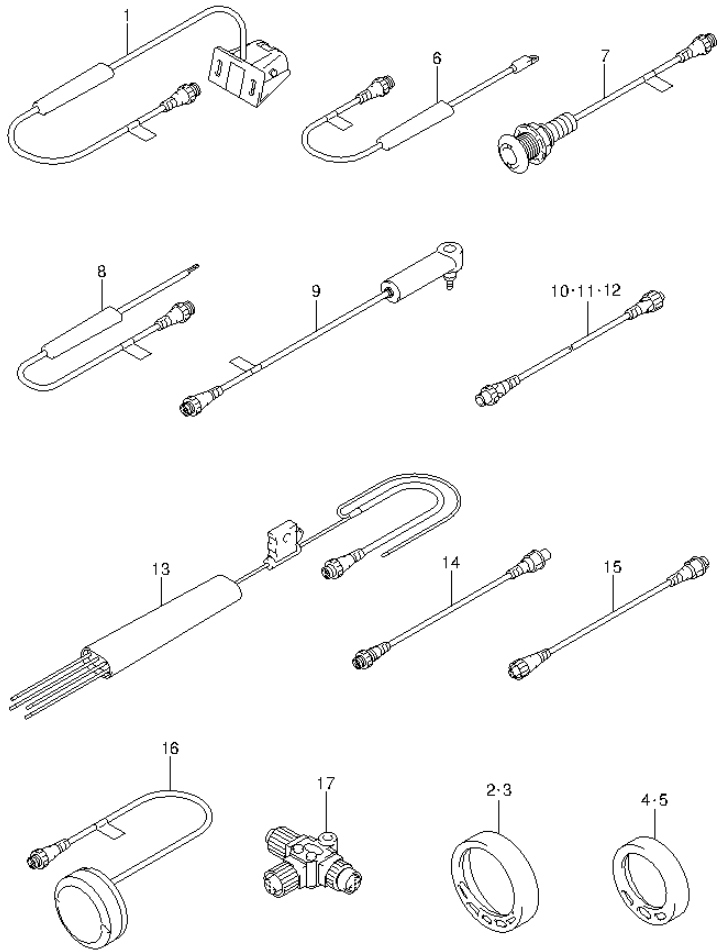


FIG.492 (5-C-7) OPT:LOWRANCE GAUGE

REF NO.	PART NO.	DESCRIPTION	Q'TY	REMARKS
1	34190-88L00	SENSOR ASSY, PAD WHEEL	1	
2	34193-88L00	BEZEL, 4 IN CHR	1	
3	34193-88L20	BEZEL, 4 IN WHITE	1	
4	34193-88L40	BEZEL, 2 IN CHR	1	
5	34193-88L60	BEZEL, 2 IN WHITE	1	
6	34455-88L00	SENSOR ASSY, WATER TEMP	1	
7	34455-88L10	SENSOR ASSY, WATER TEMP	1	
8	34810-88L00	SENSOR ASSY, FLUID LEVEL	1	
9	34960-88L00	SENSOR ASSY, WATER PRESSURE	1	
10	36662-88L10	WIRE, 2 EXTENSION	1	
11	36662-88L20	WIRE, 6 EXTENSION	1	
12	36662-88L30	WIRE, 15 EXTENSION	1	
13	36663-88L10	HARNESS ASSY, NETWORK POWER	1	
14	36666-88L00	WIRE, ADAPTER TO N NETWORK	1	
15	36666-88L10	WIRE, ADAPTER TO L NETWORK	1	
16	39950-88L00	MODULE ASSY, GPS RECEIVER	1	
17	36664-88L00	CONNECTOR, BRANCH	1	

PART NO.	FIG.NO.-REF.NO.	PART NO.	FIG.NO.-REF.NO.	PART NO.	FIG.NO.-REF.NO.
10000			14-2		3-16
			14-29		4-16
			15-2		5-16
			15-29		6-16
			16-2		7-16
11100-88L00	1-1		16-29		8-16
	2-1		17-2		9-16
	3-1		17-29		10-16
	4-1		18-2		11-16
	5-1		18-29		12-16
	6-1	11117-89J20	19-4		13-16
	7-1	11119-87J00	1-10		14-16
	8-1		2-10		15-16
	9-1		3-10		16-16
	10-1		4-10		17-16
	11-1		5-10		18-16
	12-1		6-10	11173-88L00	1-20
	13-1		7-10		2-20
	14-1		8-10		3-20
	15-1		9-10		4-20
	16-1		10-10		5-20
11112-88L00	17-1		11-10		6-20
	18-1		12-10		7-20
	19-7		13-10		8-20
11115-73G01-001	1-2		14-10		9-20
	1-29		15-10		10-20
	2-2		16-10		11-20
	2-29		17-10		12-20
	3-2		18-10		13-20
	3-29	11141-88L00	1-11		14-20
	4-2		2-11		15-20
	4-29		3-11		16-20
	5-2		4-11		17-20
	5-29		5-11		18-20
	6-2		6-11	11174-88L00	1-22
	6-29		7-11		2-22
	7-2		8-11		3-22
	7-29		9-11		4-22
	8-2		10-11		5-22
	8-29		11-11		6-22
	9-2		12-11		7-22
	9-29		13-11		8-22
	10-2		14-11		9-22
	10-29		15-11		10-22
	11-2		16-11		11-22
	11-29		17-11		12-22
	12-2		18-11		13-22
	12-29		491-2		14-22
	13-2	11170-88L10	1-16		15-22
	13-29		2-16		16-22

PART NO.	FIG.NO.-REF.NO.	PART NO.	FIG.NO.-REF.NO.	PART NO.	FIG.NO.-REF.NO.
11189-88L00			17-22		11-5
			18-22		12-5
			1-17		13-5
			2-17		14-5
			3-17		15-5
		4-17		16-5	
		5-17		17-5	
		6-17	11291-88L00		18-5
		7-17	11301-88L00		19-1
		8-17	11382-99E00		19-3
		9-17			1-14
		10-17			2-14
		11-17			3-14
		12-17			4-14
		13-17			5-14
		14-17			6-14
		15-17		11433-88L00	7-14
		16-17			8-14
		17-17		11489-88L00	9-14
		18-17			10-14
11194-88L10	491-3		5-20		11-14
	1-26		6-20		12-14
	2-26		7-20		13-14
	3-26		8-20		14-14
	4-26		9-20		15-14
	5-26		10-20		16-14
	6-26		11-20		17-14
	7-26		12-20		18-14
	8-26	11400-88870	13-20		491-1
	9-26	11411-88L00	14-20		20-6
	10-26		15-20		21-6
	11-26		16-20		22-6
	12-26		17-20		23-6
	13-26		18-20		24-6
	14-26		1-22		25-6
	15-26		2-22		26-6
	16-26		3-22		27-6
	17-26		4-22		28-6
	18-26		5-22		29-6
11196-88L00	114-8		6-22		30-6
11261-93J00	1-5		7-22		31-6
	2-5		8-22		32-6
	3-5		9-22		33-6
	4-5		10-22		34-6
	5-5		11-22		35-6
	6-5		12-22		36-6
	7-5		13-22		37-6
	8-5	11413-88L00	14-22		20-7
	9-5		15-22		21-7
	10-5		16-22		22-7
					23-7
					24-7
					25-7
					26-7
					27-7
					28-7
					29-7
					30-7
					31-7
					32-7
					33-7
					34-7
					35-7
					36-7
					37-7
					491-4
					133-1
					491-7
					134-1
					491-8
					134-2
					20-1
					21-1
					22-1
					23-1
					24-1
					25-1
					26-1
					27-1
					28-1
					29-1
					30-1
					31-1
					32-1
					33-1
					34-1
					35-1
					36-1
					37-1
					20-5
					21-5
					22-5
					23-5
					24-5
					25-5
					26-5
					27-5
					28-5
					29-5
					30-5

PART NO.	FIG.NO.-REF.NO.	PART NO.	FIG.NO.-REF.NO.	PART NO.	FIG.NO.-REF.NO.
	31-5	12892-73G01-234	40-8-9		51-1
	32-5	12892-73G01-236	40-8-10		52-1
	33-5	12892-73G01-238	40-8-11		53-1
	34-5	12892-73G01-240	40-8-12		54-1
	35-5	12892-73G01-242	40-8-13		55-1
	36-5	12892-73G01-244	40-8-14		56-1
	37-5	12892-73G01-246	40-8-15		57-1
11543-88L00	134-11	12892-73G01-248	40-8-16		58-1
11551-88L00-0EP	134-6	12892-73G01-250	40-8-17	13119-88L00	41-2
11552-88L00	134-7	12892-73G01-252	40-8-18		42-2
	491-11	12892-73G01-254	40-8-19		43-2
12100-51810-0A0	38-8-1	12892-73G01-256	40-8-20		44-2
12100-51810-0B0	38-8-2	12892-73G01-258	40-8-21		45-2
12100-51810-0C0	38-8-3	12892-73G01-260	40-8-22		46-2
12100-51810-0D0	38-8-4	12892-73G01-262	40-8-23		47-2
12100-51810-0E0	38-8-5	12892-73G01-264	40-8-24		48-2
12100-88L00-050	38-13	12892-73G01-266	40-8-25		49-2
12111-88L00	38-1	12892-73G01-268	40-8-26		50-2
12140-88L00	38-2	12892-73G01-270	40-8-27		51-2
12140-88L00-050	38-14	12892-73G01-272	40-8-28		52-2
12151-54A50	38-3	12892-73G01-274	40-8-29		53-2
12160-88L01	38-5	12892-73G01-276	40-8-30		54-2
12163-69J00	38-6	12892-73G01-278	40-8-31		55-2
12220-88L00	38-9	12892-73G01-280	40-8-32		56-2
12281-87J00	38-12	12892-73G01-282	40-8-33		57-2
12340-75F00-0C0	38-10-3	12892-73G01-284	40-8-34		58-2
12340-75F00-0D0	38-10-4	12892-73G01-286	40-8-35	13125-88L00	41-3
12340-75F00-0E0	38-10-5	12892-73G01-288	40-8-36		42-3
12340-75FA0-0A0	38-10-1	12892-73G01-290	40-8-37		43-3
12340-75FA0-0B0	38-10-2	12892-73G01-292	40-8-38		44-3
12710-88L00	40-1	12892-73G01-294	40-8-39		45-3
12720-88L00	40-2	12892-73G01-296	40-8-40		46-3
12741-88L00	40-3	12892-73G01-298	40-8-41		47-3
12761-88L00	39-1	12892-73G01-300	40-8-42		48-3
12771-87J00	39-2	12911-88L00	40-9		49-3
12776-85FA0	39-3	12915-73G20	40-10		50-3
12811-88L00	39-4	12921-87J10	40-11		51-3
12812-73G10	39-7	12931-78G00	40-12		52-3
12813-73G00	39-8	12932-24400	40-13		53-3
12821-88L00	39-11	12933-51E00	40-14		54-3
12831-90J02	39-9	13110-88L00	41-1		55-3
12891-73G01	40-7		42-1		56-3
12892-73G01-218	40-8-1		43-1		57-3
12892-73G01-220	40-8-2		44-1		58-3
12892-73G01-222	40-8-3		45-1	13300-88L00	115-1
12892-73G01-224	40-8-4		46-1		116-1
12892-73G01-226	40-8-5		47-1		117-1
12892-73G01-228	40-8-6		48-1		118-1
12892-73G01-230	40-8-7		49-1		119-1
12892-73G01-232	40-8-8		50-1		120-1

PART NO.	FIG.NO.-REF.NO.	PART NO.	FIG.NO.-REF.NO.	PART NO.	FIG.NO.-REF.NO.
	121-1		117-6		52-11
	122-1		118-6		55-11
	123-1		119-6		56-11
	124-1		120-6		57-11
	125-1		121-6		58-11
	126-1		122-6	13815-88L00	118-12
	127-1		123-6	13820-88L00	41-11
	128-1		124-6		42-11
	129-1		125-6		43-11
	130-1		126-6	13820-88L10	45-11
	131-1		127-6		46-11
	132-1		128-6		53-11
13315-88L00	115-2		129-6		54-11
	116-2		130-6	14141-88L00	41-13
	117-2		131-6		42-13
	118-2		132-6		43-13
	119-2	13614-89J00	66-15		44-13
	120-2		68-15		45-13
	121-2		70-15		46-13
	122-2		74-15		47-13
	123-2		76-15		48-13
	124-2	13614-93J00	66-16		49-13
	125-2		68-16		50-13
	126-2		70-16		51-13
	127-2		74-16		52-13
	128-2		76-16		53-13
	129-2	13810-88L00	41-10		54-13
	130-2		42-10		55-13
	131-2		43-10		56-13
	132-2		44-10		57-13
13370-88L00	59-2		45-10		58-13
	60-2		46-10	14151-88L00	41-14
	61-2		47-10		42-14
	62-2		48-10		43-14
	63-2		49-10		44-14
	64-2		50-10		45-14
	65-2		51-10		46-14
	67-2		52-10		47-14
	69-2		53-10		48-14
	71-2		54-10		49-14
	72-2		55-10		50-14
	73-2		56-10		51-14
	75-2		57-10		52-14
13370-88L10	66-2		58-10		53-14
	68-2	13813-88L00	44-11		54-14
	70-2		47-11		55-14
	74-2		48-11		56-14
	76-2		49-11		57-14
13510-88L00	115-6		50-11		58-14
	116-6		51-11		491-5

PART NO.	FIG.NO.-REF.NO.	PART NO.	FIG.NO.-REF.NO.	PART NO.	FIG.NO.-REF.NO.
15100-90J11	95-1		65-21		61-24
15191-88L10	95-10		66-21		62-24
15192-88L20	95-11		67-21		63-24
15197-88L00	95-15		68-21		64-24
15200-88L00	59-3		69-21		65-24
	60-3		70-21		66-24
	61-3		71-21		67-24
	62-3		72-21		68-24
	63-3		73-21		69-24
	64-3		74-21		70-24
	65-3		75-21		71-24
	67-3	15613-88L00	76-21		72-24
	69-3		59-22		73-24
	71-3		60-22		74-24
	72-3		61-22		75-24
	73-3		62-22		76-24
15200-88L10	75-3		63-22	15626-88L00	59-4
	66-3		64-22		60-4
	68-3		65-22		61-4
	70-3		66-22		62-4
	74-3		67-22		63-4
	76-3		68-22		64-4
15410-88L00	95-4		69-22		65-4
15419-87J00	95-5		70-22		67-4
15421-88L00	95-8		71-22		69-4
15422-96J00	95-7		72-22		71-4
15600-88L02	59-1		73-22		72-4
	60-1		74-22		73-4
	61-1		75-22		75-4
	62-1		76-22	15626-88L10	66-4
	63-1	15613-92J00	59-23		68-4
	64-1		60-23		70-4
	65-1		61-23		74-4
	67-1		62-23		76-4
	69-1		63-23	15628-99E00	59-5
	71-1		64-23		60-5
	72-1		65-23		61-5
	73-1		66-23		62-5
	75-1		67-23		63-5
15600-88L12	66-1		68-23		64-5
	68-1		69-23		65-5
	70-1		70-23		66-5
	74-1		71-23		67-5
	76-1		72-23		68-5
15612-88L00	59-21		73-23		69-5
	60-21		74-23		70-5
	61-21		75-23		71-5
	62-21		76-23		72-5
	63-21	15614-88L00	59-24		73-5
	64-21		60-24		74-5

PART NO.	FIG.NO.-REF.NO.	PART NO.	FIG.NO.-REF.NO.	PART NO.	FIG.NO.-REF.NO.
	75-5		75-18		67-20
15629-99E10	76-5	15641-88L30	66-18		68-20
	59-6		68-18		69-20
	60-6		70-18		70-20
	61-6		74-18		71-20
	62-6		76-18		72-20
	63-6	15641-88L40	59-19		73-20
	64-6		60-19		74-20
	65-6		61-19		75-20
	66-6		62-19		76-20
	67-6		63-19	15643-88L00	59-17
	68-6		64-19		60-17
	69-6		65-19		61-17
	70-6		67-19		62-17
	71-6		69-19		63-17
	72-6		71-19		64-17
	73-6		72-19		65-17
	74-6		73-19		66-17
	75-6		75-19		67-17
	76-6	15641-88L50	66-19		68-17
15641-88L00	59-7		68-19		69-17
	60-7		70-19		70-17
	61-7		74-19		71-17
	62-7		76-19		72-17
	63-7	15642-88L00	59-8		73-17
	64-7		60-8		74-17
	65-7		61-8		75-17
	67-7		62-8		76-17
	69-7		63-8	15644-88L00	59-13
	71-7		64-8		60-13
	72-7		65-8		61-13
	73-7		66-8		62-13
	75-7		67-8		63-13
15641-88L10	66-7		68-8		64-13
	68-7		69-8		65-13
	70-7		70-8		67-13
	74-7		71-8		69-13
	76-7		72-8		71-13
15641-88L20	59-18		73-8		72-13
	60-18		74-8		73-13
	61-18		75-8		75-13
	62-18		76-8	15644-88L10	66-13
	63-18	15642-88L10	59-20		68-13
	64-18		60-20		70-13
	65-18		61-20		74-13
	67-18		62-20		76-13
	69-18		63-20	15645-88L00	59-14
	71-18		64-20		60-14
	72-18		65-20		61-14
	73-18		66-20		62-14

PART NO.	FIG.NO.-REF.NO.	PART NO.	FIG.NO.-REF.NO.	PART NO.	FIG.NO.-REF.NO.
	63-14	15681-88L10	77-7		91-1
	64-14		78-7		92-1
	65-14		79-7		93-1
	66-14		80-7		94-1
	67-14		81-7	15716-65DT0	77-2
	68-14		82-7		78-2
	69-14		83-7		79-2
	70-14		84-7		80-2
	71-14		85-7		81-2
	72-14		86-7		82-2
	73-14		87-7		83-2
	74-14		88-7		84-2
	75-14		89-7		85-2
	76-14		90-7		86-2
15650-99E00	59-9		91-7		87-2
	60-9		92-7		88-2
	61-9		93-7		89-2
	62-9		94-7		90-2
	63-9	15683-87J00	59-11		91-2
	64-9		60-11		92-2
	65-9		61-11		93-2
	66-9		62-11		94-2
	67-9		63-11	15750-88L10	77-4
	68-9		64-11		78-4
	69-9		65-11		79-4
	70-9		66-11		80-4
	71-9		67-11		81-4
	72-9		68-11		82-4
	73-9		69-11		83-4
	74-9		70-11		85-4
	75-9		71-11		87-4
	76-9		72-11		89-4
15654-88L00	59-10		73-11		90-4
	60-10		74-11		91-4
	61-10		75-11		93-4
	62-10		76-11	15750-88L20	84-4
	63-10	15710-85K00	77-1		86-4
	64-10		78-1		88-4
	65-10		79-1		92-4
	66-10		80-1		94-4
	67-10		81-1	15760-88L00	59-12
	68-10		82-1		60-12
	69-10		83-1		61-12
	70-10		84-1		62-12
	71-10		85-1		63-12
	72-10		86-1		64-12
	73-10		87-1		65-12
	74-10		88-1		66-12
	75-10		89-1		67-12
	76-10		90-1		68-12

PART NO.	FIG.NO.-REF.NO.	PART NO.	FIG.NO.-REF.NO.	PART NO.	FIG.NO.-REF.NO.
	69-12	17413-95J00	96-2		104-9
	70-12		97-2		105-9
	71-12		98-2		106-9
	72-12		99-2		107-9
	73-12		100-2	17471-95J01	96-10
	74-12		101-2		97-10
	75-12		102-2		98-10
	76-12		104-2		99-10
16400-88L00	133-2		106-2		100-10
16510-87J00	133-9	17413-95J10	103-2		101-10
16519-87L00	133-8		105-2		102-10
16520-88L00	133-5		107-2		104-10
16910-88L00	134-14	17413-99E11	108-18		106-10
16930-88L00	134-15		109-18	17471-95J10	103-10
17400-88L00	96-21		110-18		105-10
	97-21		112-18		107-10
	98-21	17413-99E21	111-17	17471-99E00	108-3
	99-21		113-17		109-3
	100-21	17416-95J00	96-3		112-3
	101-21		97-3	17471-99E10	110-3
	102-21		98-3		111-3
	103-21		99-3		113-3
	104-21		100-3	17472-87E10	108-4
	105-21		101-3		109-4
	106-21		102-3		110-4
	107-21		103-3		111-4
17400-99E10	108-20		104-3		112-4
	109-20		105-3		113-4
	110-20		106-3	17472-96303	96-11
	111-19		107-3		97-11
	112-20	17416-99E10	108-19		98-11
	113-19		109-19		99-11
17410-88L00	96-1		110-19		100-11
	97-1		111-18		101-11
	98-1		112-19		102-11
	99-1		113-18		103-11
	100-1	17461-87E12	108-2		104-11
	101-1		109-2		105-11
	102-1		110-2		106-11
	103-1		111-2		107-11
	104-1		112-2		491-6
	105-1		113-2	17560-88L00	96-12-1
	106-1	17461-96312	96-9		99-12-1
	107-1		97-9		100-12-1
17410-99E10	108-1		98-9		102-12-1
	109-1		99-9	17560-88L10	96-12-2
	110-1		100-9		97-12
	111-1		101-9		98-12
	112-1		102-9		99-12-2
	113-1		103-9		100-12-2

PART NO.	FIG.NO.-REF.NO.	PART NO.	FIG.NO.-REF.NO.	PART NO.	FIG.NO.-REF.NO.
	101-12		109-7		112-10
	102-12-2		110-6		113-10
	103-12-1		110-7	17635-87E00	96-18-1
	104-12-1		111-6		97-18-1
	105-12-1		111-7		98-18-1
	106-12-1		112-6		99-18-1
	107-12-1		112-7		100-18-1
17560-88L20	102-12-3		113-6		101-18-1
	103-12-2		113-7		102-18-1
	104-12-2	17564-87D00	108-8		103-18-1
	105-12-2		109-8		104-18-1
	106-12-2		110-8		105-18-1
	107-12-2		111-8		106-18-1
17560-88L30	108-5		112-8		107-18-1
	109-5		113-8	17635-87E10	96-18-2
	110-5-1	17564-88L00	96-4		97-18-2
	111-5-1		97-4		98-18-2
	112-5-1		98-4		99-18-2
	113-5-1		99-4		100-18-2
17560-88L40	110-5-2		100-4		101-18-2
	111-5-2		101-4		102-18-2
	112-5-2		102-4		103-18-2
	113-5-2		103-4		104-18-2
17562-87L00	96-13		104-4		105-18-2
	96-14		105-4		106-18-2
	97-13		106-4		107-18-2
	97-14		107-4		108-21
	98-13	17611-90J00-0EP	114-1		109-21
	98-14	17631-90J00	108-9		110-21
	99-13		109-9		111-20
	99-14		110-9		112-21
	100-13		111-9		113-20
	100-14		112-9	17635-90J00	108-11
	101-13		113-9		109-11
	101-14	17631-96320	96-16		110-11
	102-13		97-16		111-11
	102-14		98-16		112-11
	103-13		99-16		113-11
	103-14		100-16	17660-99E01	114-2
	104-13		101-16	17670-93953	114-5
	104-14		102-16	17681-88L00	114-6
	105-13		103-16	17712-88L00	114-11
	105-14		104-16	17913-93J00	134-9
	106-13		105-16	17914-93J00	134-10
	106-14		106-16	17917-87L00	377-21
	107-13		107-16		379-21
	107-14	17632-90J00	108-10		381-21
	108-6		109-10		385-22
	108-7		110-10		387-22
	109-6		111-10	18137-88L01	41-8

PART NO.	FIG.NO.-REF.NO.	PART NO.	FIG.NO.-REF.NO.	PART NO.	FIG.NO.-REF.NO.
	42-8		74-31		128-8
	43-8		75-31		129-8
	44-8		76-31		130-8
	45-8	18498-94J20	114-10		131-8
	46-8	18498-96J20	95-14		132-8
	47-8	18498-99E10	95-13		
	48-8	18498-99EAO	425-6		
	49-8		426-6		
	50-8		427-6		
	51-8		428-6		
	52-8		429-6	21110-88L00	388-3
	53-8	19120-88L01	115-7		389-3
	54-8		118-7		390-3
	55-8		119-7		391-3
	56-8		121-7		392-3
	57-8		122-7		393-3
	58-8		127-7		394-3
18210-88L00	370-18		129-7		395-3
	371-18		130-7		396-3
	372-18	19120-88L11	116-7		397-3
	373-18		117-7		483-2
	374-18		120-7		484-2
	375-18		123-7		485-2
	376-18		124-7		486-2
	377-18		125-7		487-2
	378-18		126-7		488-2
	379-18		128-7		489-2
	380-18		131-7		490-2
	381-18		132-7	21112-88L00	388-41
	382-18		483-56		389-41
	383-18		484-56		390-41
	384-18		485-56		391-41
	385-18		486-56		392-41
	386-18		487-56		393-41
	387-18		488-56		394-41
18498-88L10	59-31		489-56		395-41
	60-31		490-56		396-41
	61-31	19131-95502	115-8		397-41
	62-31		116-8		483-40
	63-31		117-8		484-40
	64-31		118-8		485-40
	65-31		119-8		486-40
	66-31		120-8		487-40
	67-31		121-8		488-40
	68-31		122-8		489-40
	69-31		123-8		490-40
	70-31		124-8	21121-93300	153-13
	71-31		125-8		154-13
	72-31		126-8		155-13
	73-31		127-8		156-13

PART NO.	FIG.NO.-REF.NO.	PART NO.	FIG.NO.-REF.NO.	PART NO.	FIG.NO.-REF.NO.
	157-13	21151-88L00	135-2		273-33
	158-13		136-2		274-5
	159-13		137-2		275-5
	160-13		138-2		276-5
	161-13		139-2		277-5
	162-13		140-2		278-5
	163-13		141-2		279-5
	164-13		142-2		280-5
	165-1		143-2		281-5
	166-1		144-2		483-81
	167-1		145-2		485-81
	168-1		146-2	23111-88L00	135-6-1
	169-1		147-2		138-6-1
	170-1		148-2		139-6-1
21126-88L00	135-1		149-2		141-6-1
	136-1		150-2	23111-88L10	135-6-2
	137-1		151-2		136-6
	138-1		152-2		137-6
	139-1	21210-88L00	135-5		138-6-2
	140-1		136-5		139-6-2
	141-1		137-5		140-6
	142-1		138-5		141-6-2
	143-1		139-5		142-6
	144-1		140-5		143-6
	145-1		141-5		144-6
	146-1		142-5		145-6
	147-1		143-5		146-6
	148-1		144-5		147-6
	149-1		145-5		148-6
	150-1		146-5		149-6
	151-1		147-5		150-6
21131-88L00	152-1		148-5		151-6
	388-71		149-5		152-6
	389-71		150-5	23115-88L00	135-8
	390-71		151-5		136-8
	391-71		152-5		137-8
	392-71	22511-99011	264-5		138-8
	393-71		265-5		139-8
	394-71		265-33		140-8
	395-71		266-5		141-8
	396-71		266-33		142-8
	397-71		267-5		143-8
	483-57		268-5		144-8
	484-57		269-5		145-8
	485-57		269-33		146-8
	486-57		270-5		147-8
	487-57		271-5		148-8
	488-57		272-5		149-8
	489-57		272-33		150-8
	490-57		273-5		151-8

PART NO.	FIG.NO.-REF.NO.	PART NO.	FIG.NO.-REF.NO.	PART NO.	FIG.NO.-REF.NO.
	152-8		148-13		158-1
23210-88L00	135-9		149-13		159-1-2
	136-9		150-13		160-1-1
	137-9		151-13		161-1-1
	138-9		152-13		162-1-1
	139-9	23230-88L00	388-4		163-1-1
	140-9		389-4		164-1-1
	141-9		390-4	25111-88L20	159-1-3
	142-9		391-4		160-1-2
	143-9		392-4		161-1-2
	144-9		393-4		162-1-2
	145-9		394-4		163-1-2
	146-9		395-4		164-1-2
	147-9		396-4	25111-88L30	165-2
	148-9		397-4		166-2
	149-9		483-3		167-2-1
	150-9		484-3		168-2-1
	151-9		485-3		169-2-1
	152-9		486-3		170-2-1
23213-89J01	135-12		487-3	25111-88L40	167-2-2
	136-12		488-3		168-2-2
	137-12		489-3		169-2-2
	138-12		490-3		170-2-2
	139-12	23311-95J00	135-15	25141-99E03	165-3
	140-12		136-15		166-3
	141-12		137-15		167-3
	142-12		138-15		168-3
	143-12		139-15		169-3
	144-12		140-15		170-3
	145-12		141-15	25205-94501	165-4
	146-12		142-15		166-4
	147-12		143-15		167-4
	148-12		144-15		168-4
	149-12		145-15		169-4
	150-12		146-15		170-4
	151-12		147-15	25211-87J00	153-2
	152-12		148-15		154-2
23214-89J00	135-13		149-15		155-2
	136-13		150-15		156-2
	137-13		151-15		157-2
	138-13		152-15		158-2
	139-13	25111-88L00	153-1-1		159-2
	140-13		156-1-1		160-2
	141-13		157-1-1		161-2
	142-13		159-1-1		162-2
	143-13	25111-88L10	153-1-2		163-2
	144-13		154-1		164-2
	145-13		155-1	25211-94501	165-5
	146-13		156-1-2		166-5
	147-13		157-1-2		167-5

PART NO.	FIG.NO.-REF.NO.	PART NO.	FIG.NO.-REF.NO.	PART NO.	FIG.NO.-REF.NO.
25212-94401	168-5	25311-94510	158-11	29116-93J10	323-15
	169-5		159-11		324-15
	170-5		160-11		325-15
	153-5		161-11		326-15
	154-5		162-11		327-15
	155-5		163-11		328-15
	156-5		164-11		329-15
	157-5		165-7		330-15
	158-5		166-7		331-15
	159-5		167-7		332-15
25223-94400	160-5	25700-88L00	168-7	29141-93J00	108-12
	161-5		169-7		109-12
	162-5		170-7		110-12
	163-5		351-19		111-12
	164-5		352-19		112-12
	153-9		353-19		113-12
	154-9		354-19		96-5
	155-9		355-19		97-5
	156-9		356-19		98-5
	157-9		357-21		99-5
25230-94300	158-9	25700-99E00	358-21	29103-93J00	100-5
	159-9		359-21		101-5
	160-9		360-21		102-5
	161-9		361-21		103-5
	162-9		362-21		104-5
	163-9		363-28		105-5
	164-9		364-28		106-5
	165-6		365-28		107-5
	166-6		366-28		135-7
	167-6		367-28		136-7
25232-96302	168-6	29103-93J00	368-28	29116-93J00	137-7
	169-6		195-12		138-7
	170-6		198-12		139-7
	153-10		199-12		140-7
	154-10		202-12		141-7
	155-10		203-12		142-7
	156-10		204-12		143-7
	157-10		205-12		144-7
	158-10		206-12		145-7
	159-10		207-12		146-7
25311-88L00	160-10	29116-93J00	208-12	31100-94J21	147-7
	161-10		209-12		148-7
	162-10		315-15		149-7
	163-10		316-15		150-7
	164-10		317-15		151-7
	153-11		318-15		152-7
	154-11		319-15		267-26
	155-11		320-15		270-26
	156-11		321-15		271-26
	157-11		322-15		274-22

PART NO.	FIG.NO.-REF.NO.	PART NO.	FIG.NO.-REF.NO.	PART NO.	FIG.NO.-REF.NO.
29162-93J00	275-22	31123-97E10	304-9	29404-93J10	307-6
	276-26		305-9		308-6
	277-22		306-9		309-6
	278-26		307-9		310-6
	279-26		308-9		311-6
	280-22		309-9		312-6
	281-22		310-9		313-6
	96-6		311-9		314-6
	97-6		312-9		300-7
	98-6		313-9		301-7
29404-93J10	99-6	31131-94J00	314-9	31133-94900	302-7
	100-6		300-4		303-7
	101-6		301-4		304-7
	102-6		302-4		305-7
	103-6		303-4		306-7
	104-6		304-4		307-7
	105-6		305-4		308-7
	106-6		306-4		309-7
	107-6		307-4		310-7
	192-12		308-4		311-7
30000	194-12	31135-90J00	309-4	31135-94900	312-7
	196-12		310-4		313-7
	197-12		311-4		314-7
	285-2		312-4		3151-94J00
	286-2		313-4		31152-90J00
	287-2		314-4		31153-90J00
	288-2		189-2		31170-94J00
	289-2		300-5		31171-96J00
	290-2		301-5		31173-88L11
	291-2		302-5		301-3
31100-94J21	292-2	31173-94J00	303-5	31191-96J00	302-3
	293-2		304-5		303-3
	294-2		305-5		304-3
	295-2		306-5		305-3
	296-2		307-5		306-3
	297-2		308-5		307-3
	298-2		309-5		308-3
	299-2		310-5		309-3
			311-5		310-3
			312-5		311-3
31111-87J10		31135-90J00	313-5	31135-94900	312-3
			314-5		313-3
			189-3		314-3
			300-6		189-8
			301-6		31191-96J00
	189-1		302-6		31220-94J00
	300-9		303-6		31310-90J00
	301-9		304-6		31311-87J10
	302-9		305-6		300-2
	303-9		306-6		301-2

PART NO.	FIG.NO.-REF.NO.	PART NO.	FIG.NO.-REF.NO.	PART NO.	FIG.NO.-REF.NO.
	303-2		306-8		486-79
	304-2		307-8		487-79
	305-2		308-8		488-79
	306-2		309-8		489-79
	307-2		310-8		490-79
	308-2		311-8	33925-88L10	228-11
	309-2		312-8		229-7
	310-2		313-8		230-11
	311-2		314-8		231-11
	312-2	33810-88L10	210-1		232-11
	313-2		211-1		233-11
	314-2		212-1		234-11
31320-94J00	189-12		213-1		235-11
31341-94J00	189-13		214-1		236-7
31343-90J00	189-14		215-1		237-7
31344-90J00	189-15		216-1		238-11
31360-93J01	189-16		217-1		239-11
31912-88L00	189-18		218-1		240-11
31918-87L00	189-19		219-1		241-11
32102-88L00	190-1		220-1		242-11
32120-88L00	190-5		221-1		243-11
32160-88L00	190-6		222-1		244-11
32800-88L00	191-1		223-1		245-11
32890-88L00	191-3		224-1	33930-88L00	234-10
33220-50M10	190-8		225-1		236-6
33410-87L00	191-7		226-1		238-10
33634-96J00	210-4		227-1	33930-88L10	235-10
	211-4	33833-91J00	388-79		237-6
	212-4		389-79		239-10
	213-4		390-79	33930-88L20	228-10
	214-4		391-79		229-6
	215-4		392-79		230-10
	216-4		393-81	33930-88L30	231-10
	217-4		394-81	33930-88L40	232-10
	218-4		395-81		233-10
	219-4		396-81	33930-88L50	242-10
	220-4		397-81		244-10
	221-4	33834-88L00	388-77	33930-88L60	243-10
	222-4		389-77		245-10
	223-4		390-77	33930-88L90	240-10
	224-4		391-77		241-10
	225-4		392-77	34011-88L02	430-42
	226-4		393-78		431-40
	227-4		394-78		432-40
33799-97E00	300-8		395-78		433-42
	301-8		396-78		434-42
	302-8		397-78		435-40
	303-8		483-78		436-42
	304-8		484-79		437-42
	305-8		485-78		438-40

PART NO.	FIG.NO.-REF.NO.	PART NO.	FIG.NO.-REF.NO.	PART NO.	FIG.NO.-REF.NO.
	439-40		435-3-2		431-3-5
	440-40		436-3-2		432-3-5
	441-40		437-3-2		433-3-5
	442-42		438-3-2		434-3-5
	443-40		439-3-2		435-3-5
	444-42		440-3-2		436-3-5
	445-42		441-3-2		437-3-5
	446-40		442-3-2		438-3-5
	447-40		443-3-2		439-3-5
34011-88L12	430-48		444-3-2		440-3-5
	431-46		445-3-2		441-3-5
	432-46		446-3-2		442-3-5
	433-48		447-3-2		443-3-5
	434-48	34100-93J20	430-3-3		444-3-5
	435-46		431-3-3		445-3-5
	436-48		432-3-3		446-3-5
	437-48		433-3-3		447-3-5
	438-46		434-3-3	34100-93J51	430-3-6
	439-46		435-3-3		431-3-6
	440-46		436-3-3		432-3-6
	441-46		437-3-3		433-3-6
	442-48		438-3-3		434-3-6
	443-46		439-3-3		435-3-6
	444-48		440-3-3		436-3-6
	445-48		441-3-3		437-3-6
	446-46		442-3-3		438-3-6
	447-46		443-3-3		439-3-6
34100-93J00	430-3-1		444-3-3		440-3-6
	431-3-1		445-3-3		441-3-6
	432-3-1		446-3-3		442-3-6
	433-3-1		447-3-3		443-3-6
	434-3-1	34100-93J31	430-3-4		444-3-6
	435-3-1		431-3-4		445-3-6
	436-3-1		432-3-4		446-3-6
	437-3-1		433-3-4		447-3-6
	438-3-1		434-3-4	34100-93J60	430-3-7
	439-3-1		435-3-4		431-3-7
	440-3-1		436-3-4		432-3-7
	441-3-1		437-3-4		433-3-7
	442-3-1		438-3-4		434-3-7
	443-3-1		439-3-4		435-3-7
	444-3-1		440-3-4		436-3-7
	445-3-1		441-3-4		437-3-7
	446-3-1		442-3-4		438-3-7
	447-3-1		443-3-4		439-3-7
34100-93J11	430-3-2		444-3-4		440-3-7
	431-3-2		445-3-4		441-3-7
	432-3-2		446-3-4		442-3-7
	433-3-2		447-3-4		443-3-7
	434-3-2	34100-93J40	430-3-5		444-3-7

PART NO.	FIG.NO.-REF.NO.	PART NO.	FIG.NO.-REF.NO.	PART NO.	FIG.NO.-REF.NO.
34190-87D00	445-3-7		435-5		490-44
	446-3-7		435-17	34200-87L12	430-28
	447-3-7		436-5		431-26
	430-27		436-17		432-26
	431-25		437-5		433-28
	432-25		437-17		434-28
	433-27		438-5		435-26
	434-27		438-17		436-28
	435-25		439-5		437-28
	436-27		439-17		438-26
437-27		440-5		439-26	
438-25		440-17		440-26	
439-25		441-5		441-26	
440-25		441-17		442-28	
441-25		442-5		443-26	
442-27		442-17		444-28	
443-25		443-5		445-28	
444-27		443-17		446-26	
445-27		444-5		447-26	
446-25		444-17	34200-88L02	430-43	
447-25		445-5		431-41	
492-1		445-17		432-41	
34190-88L00	430-25	446-5		433-43	
34190-95500	431-23	446-17		434-43	
	432-23	447-5		435-41	
	433-25	447-17		436-43	
	434-25	34193-88L00	492-2	437-43	
	435-23	34193-88L20	492-3	438-41	
	436-25	34193-88L40	492-4	439-41	
	437-25	34193-88L60	492-5	440-41	
	438-23	34200-87L00	388-45	441-41	
	439-23		388-68	442-43	
	440-23		389-45	443-41	
	441-23		390-45	444-43	
	442-25		391-45	445-43	
	443-23		391-68	446-41	
	444-25		392-45	447-41	
	445-25		392-68	417-3-1	
	446-23		393-45	419-3-1	
	447-23		394-45	420-3-1	
34191-92E00	430-5		395-45	421-5-1	
	430-17		396-45	422-3-1	
	431-5		397-45	423-3-1	
	431-17		483-44	424-5-1	
	432-5		484-44	430-20-1	
	432-17		485-44	431-20-1	
	433-5		486-44	432-20-1	
	433-17		487-44	433-20-1	
	434-5		488-44	434-20-1	
	434-17		489-44	435-20-1	

PART NO.	FIG.NO.-REF.NO.	PART NO.	FIG.NO.-REF.NO.	PART NO.	FIG.NO.-REF.NO.
	436-20-1		437-23-2		440-10-2
	437-20-1		442-23-2		441-10-2
	438-20-1		444-23-2		442-10-2
	439-20-1		445-23-2		443-10-2
	440-20-1	34211-87L00	430-29		444-10-2
	441-20-1		431-27		445-10-2
	442-20-1		432-27		446-10-2
	443-20-1		433-29	34310-92E00	447-10-2
	444-20-1		434-29		430-11
	445-20-1		435-27		431-11
	446-20-1		436-29		432-11
34200-93J11	447-20-1		437-29		433-11
	417-3-2		438-27		434-11
	418-3		439-27		435-11
	419-3-2		440-27		436-11
	420-3-2		441-27		437-11
	421-5-2		442-29		438-11
	422-3-2		443-27		439-11
	423-3-2		444-29		440-11
	424-5-2		445-29		441-11
	430-20-2		446-27		442-11
	431-20-2	34300-93J00	447-27		443-11
	432-20-2		430-10-1		444-11
	433-20-2		431-10-1		445-11
	434-20-2		432-10-1		446-11
	435-20-2		433-10-1		447-11
	436-20-2		434-10-1	34360-92E00	430-12
	437-20-2		435-10-1		431-12
	438-20-2		436-10-1		432-12
	439-20-2		437-10-1		433-12
	440-20-2		438-10-1		434-12
	441-20-2		439-10-1		435-12
	442-20-2		440-10-1		436-12
	443-20-2		441-10-1		437-12
	444-20-2		442-10-1		438-12
	445-20-2		443-10-1		439-12
	446-20-2		444-10-1		440-12
34200-93J40	447-20-2		445-10-1		441-12
	430-23-1		446-10-1		442-12
	433-23-1		447-10-1		443-12
	434-23-1	34300-93J11	430-10-2		444-12
	436-23-1		431-10-2		445-12
	437-23-1		432-10-2		446-12
	442-23-1		433-10-2		447-12
	444-23-1		434-10-2	34455-88L00	492-6
	445-23-1		435-10-2	34455-88L10	492-7
34200-93J50	430-23-2		436-10-2	34500-93J00	421-3-1
	433-23-2		437-10-2		424-3-1
	434-23-2		438-10-2		430-14-1
	436-23-2		439-10-2		431-14-1

PART NO.	FIG.NO.-REF.NO.	PART NO.	FIG.NO.-REF.NO.	PART NO.	FIG.NO.-REF.NO.
	432-14-1		444-8-1		440-16-2
	433-14-1		445-8-1		441-16-2
	434-14-1		446-8-1		442-16-2
	435-14-1		447-8-1		443-16-2
	436-14-1	34600-93J11	430-8-2		444-16-2
	437-14-1		431-8-2		445-16-2
	438-14-1		432-8-2		446-16-2
	439-14-1		433-8-2		447-16-2
	440-14-1		434-8-2	34660-90J02	425-1
	441-14-1		435-8-2		426-1
	442-14-1		436-8-2		427-1
	443-14-1		437-8-2		428-1
	444-14-1		438-8-2		429-1
	445-14-1		439-8-2	34800-88L01	430-49
	446-14-1		440-8-2		431-47
	447-14-1		441-8-2		432-47
34500-93J11	421-3-2		442-8-2		433-49
	424-3-2		443-8-2		434-49
	430-14-2		444-8-2		435-47
	431-14-2		445-8-2		436-49
	432-14-2		446-8-2		437-49
	433-14-2		447-8-2		438-47
	434-14-2	34650-93J20	430-16-1		439-47
	435-14-2		431-16-1		440-47
	436-14-2		432-16-1		441-47
	437-14-2		433-16-1		442-49
	438-14-2		434-16-1		443-47
	439-14-2		435-16-1		444-49
	440-14-2		436-16-1		445-49
	441-14-2		437-16-1		446-47
	442-14-2		438-16-1		447-47
	443-14-2		439-16-1	34800-93J00	417-1-1
	444-14-2		440-16-1		419-1-1
	445-14-2		441-16-1		420-1-1
	446-14-2		442-16-1		421-1-1
	447-14-2		443-16-1		422-1-1
34600-93J00	430-8-1		444-16-1		423-1-1
	431-8-1		445-16-1		424-1-1
	432-8-1		446-16-1		430-1-1
	433-8-1		447-16-1		431-1-1
	434-8-1	34650-93J31	430-16-2		432-1-1
	435-8-1		431-16-2		433-1-1
	436-8-1		432-16-2		434-1-1
	437-8-1		433-16-2		435-1-1
	438-8-1		434-16-2		436-1-1
	439-8-1		435-16-2		437-1-1
	440-8-1		436-16-2		438-1-1
	441-8-1		437-16-2		439-1-1
	442-8-1		438-16-2		440-1-1
	443-8-1		439-16-2		441-1-1

PART NO.	FIG.NO.-REF.NO.	PART NO.	FIG.NO.-REF.NO.	PART NO.	FIG.NO.-REF.NO.
	442-1-1		209-1		207-7
	443-1-1	34840-98J03	192-2		208-7
	444-1-1		194-2		209-7
	445-1-1		196-2	34845-88L00	192-11
	446-1-1		197-2		194-11
	447-1-1	34840-98J11	195-2		196-11
34800-93J11	417-1-2		198-2		197-11
	418-1		199-2	34845-88L10	195-8
	419-1-2		202-2		198-8
	420-1-2		203-2		199-8
	421-1-2		204-2		202-8
	422-1-2		205-2		203-8
	423-1-2		206-2		204-8
	424-1-2		207-2		205-8
	430-1-2		208-2		206-8
	431-1-2		209-2		207-8
	432-1-2	34841-87L10	195-5		208-8
	433-1-2		198-5		209-8
	434-1-2		199-5	34846-87L00	195-4
	435-1-2		202-5		198-4
	436-1-2		203-5		199-4
	437-1-2		204-5		202-4
	438-1-2		205-5		203-4
	439-1-2		206-5		204-4
	440-1-2		207-5		205-4
	441-1-2		208-5		206-4
	442-1-2		209-5		207-4
	443-1-2	34841-88L00	192-10		208-4
	444-1-2		194-10		209-4
	445-1-2		196-10	34922-88L01	430-44
	446-1-2		197-10		430-50
34810-88L00	417-1-1	34842-88L10	195-6		431-42
34830-87J20	492-8		198-6		431-48
	192-1		199-6		432-42
	193-1		202-6		432-48
	194-1		203-6		433-44
	195-1		204-6		433-50
	196-1		205-6		434-44
	197-1		206-6		434-50
	198-1		207-6		435-42
	199-1		208-6		435-48
	200-1	34843-87L00	209-6		436-44
	201-1		195-7		436-50
	202-1		198-7		437-44
	203-1		199-7		437-50
	204-1		202-7		438-42
	205-1		203-7		438-48
	206-1		204-7		439-42
	207-1		205-7		439-48
	208-1		206-7		440-42

PART NO.	FIG.NO.-REF.NO.	PART NO.	FIG.NO.-REF.NO.	PART NO.	FIG.NO.-REF.NO.
	440-48		226-15		443-21
	441-42		227-15		443-29
	441-48	36615-96300	417-4		444-7
	442-44		418-4		444-21
	442-50		419-4		444-31
	443-42		420-4		445-7
	443-48		421-6		445-21
	444-44		422-4		445-31
	444-50		423-4		446-7
	445-44		424-6		446-21
	445-50		430-7		446-29
	446-42		430-21		447-7
	446-48		430-31		447-21
	447-42		431-7		447-29
	447-48		431-21	36617-88L00	195-11
34960-88L00	492-9		431-29		198-11
36610-88L50	211-3		432-7		199-11
	218-3		432-21		202-11
	219-3		432-29		203-11
36610-88L60	210-3		433-7		204-11
	212-3		433-21		205-11
	214-3		433-31		206-11
36610-88L80	215-3		434-7		207-11
	213-3		434-21		208-11
	216-3		434-31		209-11
	217-3		435-7		210-21
	220-3		435-21		211-21
	221-3		435-29		212-21
	222-3		436-7		213-21
	223-3		436-21		214-21
	224-3		436-31		215-21
	225-3		437-7		216-21
	226-3		437-21		217-21
	227-3		437-31		218-21
36612-96J00	210-15		438-7		219-21
	211-15		438-21		220-21
	212-15		438-29		221-21
	213-15		439-7		222-21
	214-15		439-21		223-21
	215-15		439-29		224-21
	216-15		440-7		225-21
	217-15		440-21		226-21
	218-15		440-29		227-21
	219-15		441-7	36617-88L10	210-22
	220-15		441-21		211-22
	221-15		441-29		212-22
	222-15		442-7		213-22
	223-15		442-21		214-22
	224-15		442-31		215-22
	225-15		443-7		216-22

PART NO.	FIG.NO.-REF.NO.	PART NO.	FIG.NO.-REF.NO.	PART NO.	FIG.NO.-REF.NO.
	217-22		213-16		465-2-1
	218-22		214-16		474-55
	219-22		215-16		475-55
	220-22		216-16		476-55
	221-22		217-16		477-55
	222-22		218-16		478-55
	223-22		219-16		479-55
	224-22		220-16		480-55
	225-22		221-16		481-55
	226-22		222-16	36620-93J10	448-1-1
	227-22		223-16		451-1-1
36617-88L90	388-46		224-16		452-1-1
	389-46		225-16		454-1-1
	390-46		226-16		455-1-1
	391-46		227-16		460-1-1
	392-46	36620-88L10	388-5		462-1-1
	393-46		389-5		463-1-1
	394-46		390-5	36620-93J30	448-2
	395-46		391-5		451-2
	396-46		392-5		452-2
	397-46		393-5		454-2
	483-45		394-5		455-2
	484-45		395-5		460-2
	485-45		396-5		462-2
	486-45		397-5		463-2
	487-45		483-4	36620-93J40	448-1-2
	488-45		484-4		451-1-2
	489-45		485-4		452-1-2
	490-45		486-4		454-1-2
36617-93J10	210-23		487-4		455-1-2
	211-23		488-4		460-1-2
	212-23		489-4		462-1-2
	213-23		490-4		463-1-2
	214-23	36620-93J02	448-4-1	36620-93J52	448-4-2
	215-23		449-2-1		449-2-2
	216-23		450-2-1		450-2-2
	217-23		451-4-1		451-4-2
	218-23		452-4-1		452-4-2
	219-23		453-2-1		453-2-2
	220-23		454-4-1		454-4-2
	221-23		455-4-1		455-4-2
	222-23		456-2-1		456-2-2
	223-23		457-2-1		457-2-2
	224-23		458-2-1		458-2-2
	225-23		459-2-1		459-2-2
	226-23		460-4-1		460-4-2
	227-23		461-2-1		461-2-2
36618-43410	210-16		462-4-1		462-4-2
	211-16		463-4-1		463-4-2
	212-16		464-2-1		464-2-2

PART NO.	FIG.NO.-REF.NO.	PART NO.	FIG.NO.-REF.NO.	PART NO.	FIG.NO.-REF.NO.
36620-93J62	465-2-2		198-15		434-51
	448-4-3		199-15		435-30
	449-2-3		202-15		435-49
	450-2-3		203-15		436-32
	451-4-3		204-15		436-51
	452-4-3		205-15		437-32
	453-2-3		206-15		437-51
	454-4-3		207-15		438-30
	455-4-3		208-15		438-49
	456-2-3		209-15		439-30
457-2-3	36656-88L10	193-3		439-49	
458-2-3		200-3		440-30	
459-2-3		201-3		440-49	
460-4-3	36660-94480	449-6		441-30	
461-2-3		450-6		441-49	
462-4-3		453-6		442-32	
463-4-3		456-6		442-51	
464-2-3		457-6		443-30	
465-2-3		458-6		443-49	
474-3		459-6		444-32	
475-3		461-6		444-51	
476-3		464-6		445-32	
477-3		465-6		445-51	
478-3	36661-87L00	430-30		446-30	
479-3		431-28		446-49	
480-3		432-28		447-30	
481-3		433-30		447-49	
449-5		434-30	36662-88L10	492-10	
450-5		435-28	36662-88L20	492-11	
453-5		436-30	36662-88L30	492-12	
456-5		437-30	36663-88L00	430-33	
457-5		438-28		430-45	
458-5		439-28		430-52	
459-5		440-28		431-31	
461-5		441-28		431-43	
464-5		442-30		431-50	
465-5		443-28		432-31	
474-2		444-30		432-43	
475-2		445-30		432-50	
476-2		446-28		433-33	
477-2		447-28		433-45	
478-2	36662-88L00	430-32		433-52	
479-2		430-51		434-33	
480-2		431-30		434-45	
481-2		431-49		434-52	
192-8		432-30		435-31	
194-8		432-49		435-43	
195-15		433-32		435-50	
196-8		433-51		436-33	
197-8		434-32		436-45	

PART NO.	FIG.NO.-REF.NO.	PART NO.	FIG.NO.-REF.NO.	PART NO.	FIG.NO.-REF.NO.
			436-52		445-34
			437-33		446-32
			437-45		447-32
		36663-98J10	437-52		430-36
			438-31		431-34
			438-43		432-34
			438-50		433-36
			439-31		434-36
			439-43		435-34
			439-50		436-36
			440-31		437-36
			440-43		438-34
			440-50		439-34
			441-31		440-34
			441-43		441-34
			441-50		442-36
			442-33		443-34
			442-45		444-36
			442-52		445-36
			443-31		446-34
			443-43		447-34
		36664-87L00	443-50		430-56
			444-33		431-54
			444-45		432-54
			444-52		433-56
			445-33		434-56
			445-45		435-54
			445-52		436-56
			446-31		437-56
			446-43		438-54
			446-50		439-54
			447-31		440-54
			447-43		441-54
			447-50		442-56
36663-88L10			492-13		443-54
36663-98J00			430-34		444-56
			431-32		445-56
			432-32		446-54
			433-34		447-54
			434-34	36664-88L00	492-17
			435-32	36665-87L00	430-57
			436-34		431-55
			437-34		432-55
			438-32		433-57
			439-32		434-57
			440-32		435-55
			441-32		436-57
			442-34		437-57
			443-32		438-55
			444-34		439-55
					440-55
					441-55
					442-57
					443-55
					444-57
					445-57
					446-55
					447-55
					448-55
					449-55
					450-55
					451-55
					452-57
					453-55
					454-57
					455-55
					456-57
					457-55
					458-57
					459-55
					460-57
					461-55
					462-57
					463-55
					464-57
					465-55
					466-57
					467-55
					468-57
					469-55
					470-57
					471-55
					472-57
					473-55
					474-57
					475-55
					476-57
					477-55
					478-57
					479-55
					480-57
					481-55
					482-57
					483-55
					484-57
					485-55
					486-57
					487-55
					488-57
					489-55
					490-57
					491-55
					492-57
					493-55
					494-57
					495-55
					496-57
					497-55
					498-57
					499-55
					500-57

PART NO.	FIG.NO.-REF.NO.	PART NO.	FIG.NO.-REF.NO.	PART NO.	FIG.NO.-REF.NO.
	444-38		442-54		224-5
	444-46		443-37		225-5
	444-53		443-45		226-5
	445-38		443-52		227-5
	445-46		444-39	36668-88L00	430-55
	445-53		444-47		431-53
	446-36		444-54		432-53
	446-44		445-39		433-55
	446-51		445-47		434-55
	447-36		445-54		435-53
	447-44		446-37		436-55
	447-51		446-45		437-55
36665-88L10	430-39		446-52		438-53
	430-47		447-37		439-53
	430-54		447-45		440-53
	431-37		447-52		441-53
	431-45	36666-87L00	430-40		442-55
	431-52		431-38		443-53
	432-37		432-38		444-55
	432-45		433-40		445-55
	432-52		434-40		446-53
	433-39		435-38		447-53
	433-47		436-40	36682-92E00	448-7
	433-54		437-40		449-7
	434-39		438-38		450-7
	434-47		439-38		451-7
	434-54		440-38		452-7
	435-37		441-38		453-7
	435-45		442-40		454-7
	435-52		443-38		455-7
	436-39		444-40		456-7
	436-47		445-40		457-7
	436-54		446-38		458-7
	437-39		447-38		459-7
	437-47	36666-88L00	492-14		460-7
	437-54	36666-88L10	492-15		461-7
	438-37	36668-87L00	210-5		462-7
	438-45		211-5		463-7
	438-52		212-5		464-7
	439-37		213-5		465-7
	439-45		214-5	36721-96J00	210-8
	439-52		215-5		211-8
	440-37		216-5		212-8
	440-45		217-5		213-8
	440-52		218-5		214-8
	441-37		219-5		215-8
	441-45		220-5		216-8
	441-52		221-5		217-8
	442-39		222-5		218-8
	442-47		223-5		219-8

PART NO.	FIG.NO.-REF.NO.	PART NO.	FIG.NO.-REF.NO.	PART NO.	FIG.NO.-REF.NO.
	220-8		277-6		450-4
	221-8		278-6		451-6
	222-8		279-6		452-6
	223-8		280-6		453-4
	224-8		281-6		454-6
	225-8	36894-95201	264-6		455-6
	226-8		265-6		456-4
	227-8		266-6		457-4
36737-96J00	210-7		268-6		458-4
	211-7		269-6		459-4
	212-7		272-6		460-6
	213-7		273-6		461-4
	214-7	36895-87D01	264-7		462-6
	215-7		264-8		463-6
	216-7		265-7		464-4
	217-7		265-8		465-4
	218-7		266-7	37100-96J00	466-1
	219-7		266-8		467-1
	220-7		267-7		468-1
	221-7		267-8		469-1
	222-7		268-7		470-1
	223-7		268-8		471-1
	224-7		269-7		472-1
	225-7		269-8		473-1
	226-7		270-7	37100-96J23	466-15
	227-7		270-8		467-15
36738-88L00	210-9		271-7		468-15
	211-9		271-8		469-15
	212-9		272-7		470-15
	213-9		272-8		471-15
	214-9		273-7		472-15
	215-9		273-8	37110-87L01	473-15
	216-9		274-7		388-6
	217-9		274-8		389-6
	218-9		275-7		390-6
	219-9		275-8		391-6
	220-9		276-7		392-6
	221-9		276-8		393-6
	222-9		277-7		394-6
	223-9		277-8		395-6
	224-9		278-7		396-6
	225-9		278-8		397-6
	226-9		279-7		483-5
	227-9		279-8		484-5
36894-87D00	267-6		280-7		485-5
	270-6		280-8		486-5
	271-6		281-7		487-5
	274-6		281-8		488-5
	275-6	36990-87D00	448-6		489-5
	276-6		449-4		490-5

PART NO.	FIG.NO.-REF.NO.	PART NO.	FIG.NO.-REF.NO.	PART NO.	FIG.NO.-REF.NO.
37110-93J01	466-2	37139-99E20	466-20	37141-99E10	388-7-2
	466-16		467-20		389-7-2
	467-2		468-20		390-7-2
	467-16		469-20		391-7-2
	468-2		470-20		392-7-2
	468-16		471-20		393-7-2
	469-2		472-20		394-7-2
	469-16		473-20		395-7-2
	470-2		388-7-1		396-7-2
	470-16		389-7-1		397-7-2
471-2	390-7-1	466-3-2			
471-16	391-7-1	466-17-2			
472-2	392-7-1	467-3-2			
472-16	393-7-1	467-17-2			
473-2	394-7-1	468-3-2			
473-16	395-7-1	468-17-2			
37110-93J11	474-4	37141-99E00	396-7-1	37141-99E50	469-3-2
	475-4		397-7-1		469-17-2
	476-4		466-3-1		470-3-2
	477-4		466-17-1		470-17-2
	478-4		467-3-1		471-3-2
	479-4		467-17-1		471-17-2
	480-4		468-3-1		472-3-2
	481-4		468-17-1		472-17-2
	388-47		469-3-1		473-3-2
	389-47		469-17-1		473-17-2
390-47	470-3-1	474-5-2			
391-47	470-17-1	475-5-2			
392-47	471-3-1	476-5-2			
393-47	471-17-1	477-5-2			
394-47	472-3-1	478-5-2			
395-47	472-17-1	479-5-2			
396-47	473-3-1	480-5-2			
397-47	473-17-1	481-5-2			
483-46	474-5-1	483-6-2			
484-46	475-5-1	484-6-2			
485-46	476-5-1	485-6-2			
486-46	477-5-1	486-6-2			
487-46	478-5-1	487-6-2			
488-46	479-5-1	488-6-2			
489-46	480-5-1	489-6-2			
490-46	481-5-1	490-6-2			
37139-99E00	466-6	37141-99E20	483-6-1	37141-99E20	388-7-3
	467-6		484-6-1		389-7-3
	468-6		485-6-1		390-7-3
	469-6		486-6-1		391-7-3
	470-6		487-6-1		392-7-3
	471-6		488-6-1		393-7-3
	472-6		489-6-1		394-7-3
	473-6		490-6-1		395-7-3

PART NO.	FIG.NO.-REF.NO.	PART NO.	FIG.NO.-REF.NO.	PART NO.	FIG.NO.-REF.NO.
	396-7-3		469-3-4		473-3-5
	397-7-3		469-17-4		473-17-5
	466-3-3		470-3-4		474-5-5
	466-17-3		470-17-4		475-5-5
	467-3-3		471-3-4		476-5-5
	467-17-3		471-17-4		477-5-5
	468-3-3		472-3-4		478-5-5
	468-17-3		472-17-4		479-5-5
	469-3-3		473-3-4		480-5-5
	469-17-3		473-17-4		481-5-5
	470-3-3		474-5-4		483-6-5
	470-17-3		475-5-4		484-6-5
	471-3-3		476-5-4		485-6-5
	471-17-3		477-5-4		486-6-5
	472-3-3		478-5-4		487-6-5
	472-17-3		479-5-4		488-6-5
	473-3-3		480-5-4		489-6-5
	473-17-3		481-5-4		490-6-5
	474-5-3		483-6-4	37141-99E50	388-7-6
	475-5-3		484-6-4		389-7-6
	476-5-3		485-6-4		390-7-6
	477-5-3		486-6-4		391-7-6
	478-5-3		487-6-4		392-7-6
	479-5-3		488-6-4		393-7-6
	480-5-3		489-6-4		394-7-6
	481-5-3		490-6-4		395-7-6
	483-6-3	37141-99E40	388-7-5		396-7-6
	484-6-3		389-7-5		397-7-6
	485-6-3		390-7-5		466-3-6
	486-6-3		391-7-5		466-17-6
	487-6-3		392-7-5		467-3-6
	488-6-3		393-7-5		467-17-6
	489-6-3		394-7-5		468-3-6
	490-6-3		395-7-5		468-17-6
37141-99E30	388-7-4		396-7-5		469-3-6
	389-7-4		397-7-5		469-17-6
	390-7-4		466-3-5		470-3-6
	391-7-4		466-17-5		470-17-6
	392-7-4		467-3-5		471-3-6
	393-7-4		467-17-5		471-17-6
	394-7-4		468-3-5		472-3-6
	395-7-4		468-17-5		472-17-6
	396-7-4		469-3-5		473-3-6
	397-7-4		469-17-5		473-17-6
	466-3-4		470-3-5		474-5-6
	466-17-4		470-17-5		475-5-6
	467-3-4		471-3-5		476-5-6
	467-17-4		471-17-5		477-5-6
	468-3-4		472-3-5		478-5-6
	468-17-4		472-17-5		479-5-6

PART NO.	FIG.NO.-REF.NO.	PART NO.	FIG.NO.-REF.NO.	PART NO.	FIG.NO.-REF.NO.
	480-5-6		489-6-7		394-7-9
	481-5-6		490-6-7		395-7-9
	483-6-6	37141-99E70	388-7-8		396-7-9
	484-6-6		389-7-8		397-7-9
	485-6-6		390-7-8		466-3-9
	486-6-6		391-7-8		466-17-9
	487-6-6		392-7-8		467-3-9
	488-6-6		393-7-8		467-17-9
	489-6-6		394-7-8		468-3-9
	490-6-6		395-7-8		468-17-9
37141-99E60	388-7-7		396-7-8		469-3-9
	389-7-7		397-7-8		469-17-9
	390-7-7		466-3-8		470-3-9
	391-7-7		466-17-8		470-17-9
	392-7-7		467-3-8		471-3-9
	393-7-7		467-17-8		471-17-9
	394-7-7		468-3-8		472-3-9
	395-7-7		468-17-8		472-17-9
	396-7-7		469-3-8		473-3-9
	397-7-7		469-17-8		473-17-9
	466-3-7		470-3-8		474-5-9
	466-17-7		470-17-8		475-5-9
	467-3-7		471-3-8		476-5-9
	467-17-7		471-17-8		477-5-9
	468-3-7		472-3-8		478-5-9
	468-17-7		472-17-8		479-5-9
	469-3-7		473-3-8		480-5-9
	469-17-7		473-17-8		481-5-9
	470-3-7		474-5-8		483-6-9
	470-17-7		475-5-8		484-6-9
	471-3-7		476-5-8		485-6-9
	471-17-7		477-5-8		486-6-9
	472-3-7		478-5-8		487-6-9
	472-17-7		479-5-8		488-6-9
	473-3-7		480-5-8		489-6-9
	473-17-7		481-5-8		490-6-9
	474-5-7		483-6-8	37141-99E90	388-7-10
	475-5-7		484-6-8		389-7-10
	476-5-7		485-6-8		390-7-10
	477-5-7		486-6-8		391-7-10
	478-5-7		487-6-8		392-7-10
	479-5-7		488-6-8		393-7-10
	480-5-7		489-6-8		394-7-10
	481-5-7		490-6-8		395-7-10
	483-6-7	37141-99E80	388-7-9		396-7-10
	484-6-7		389-7-9		397-7-10
	485-6-7		390-7-9		466-3-10
	486-6-7		391-7-9		466-17-10
	487-6-7		392-7-9		467-3-10
	488-6-7		393-7-9		467-17-10

PART NO.	FIG.NO.-REF.NO.	PART NO.	FIG.NO.-REF.NO.	PART NO.	FIG.NO.-REF.NO.
	468-3-10		472-3-11		478-5-12
	468-17-10		472-17-11		479-5-12
	469-3-10		473-3-11		480-5-12
	469-17-10		473-17-11		481-5-12
	470-3-10		474-5-11		483-6-12
	470-17-10		475-5-11		484-6-12
	471-3-10		476-5-11		485-6-12
	471-17-10		477-5-11		486-6-12
	472-3-10		478-5-11		487-6-12
	472-17-10		479-5-11		488-6-12
	473-3-10		480-5-11		489-6-12
	473-17-10		481-5-11		490-6-12
	474-5-10		483-6-11	37143-99E00	388-8
	475-5-10		484-6-11		389-8
	476-5-10		485-6-11		390-8
	477-5-10		486-6-11		391-8
	478-5-10		487-6-11		392-8
	479-5-10		488-6-11		393-8
	480-5-10		489-6-11		394-8
	481-5-10		490-6-11		395-8
	483-6-10	37141-99E80	388-7-12		396-8
	484-6-10		389-7-12		397-8
	485-6-10		390-7-12		466-4
	486-6-10		391-7-12		466-18
	487-6-10		392-7-12		467-4
	488-6-10		393-7-12		467-18
	489-6-10		394-7-12		468-4
	490-6-10		395-7-12		468-18
37141-99EA0	388-7-11		396-7-12		469-4
	389-7-11		397-7-12		469-18
	390-7-11		466-3-12		470-4
	391-7-11		466-17-12		470-18
	392-7-11		467-3-12		471-4
	393-7-11		467-17-12		471-18
	394-7-11		468-3-12		472-4
	395-7-11		468-17-12		472-18
	396-7-11		469-3-12		473-4
	397-7-11		469-17-12		473-18
	466-3-11		470-3-12		474-6
	466-17-11		470-17-12		475-6
	467-3-11		471-3-12		476-6
	467-17-11		471-17-12		477-6
	468-3-11		472-3-12		478-6
	468-17-11		472-17-12		479-6
	469-3-11		473-3-12		480-6
	469-17-11		473-17-12		481-6
	470-3-11		474-5-12		483-7
	470-17-11		475-5-12		484-7
	471-3-11		476-5-12		485-7
	471-17-11		477-5-12		486-7

PART NO.	FIG.NO.-REF.NO.	PART NO.	FIG.NO.-REF.NO.	PART NO.	FIG.NO.-REF.NO.
	487-7		470-13		240-3
	488-7		471-13		241-3
	489-7		472-13		242-3
	490-7		473-13		243-3
37149-93J00	388-9	37212-93J00	466-14		244-3
	389-9		467-14	37803-93J03	245-3
	390-9		468-14		466-9
	391-9		469-14		467-9
	392-9		470-14		468-9
	393-9		471-14		469-9
	394-9		472-14		470-9
	395-9	37721-93J00	473-14		471-9
	396-9		228-1		472-9
	397-9		229-1		473-9
	466-5		230-1	37805-93J00	466-11
	466-19		231-1		467-11
	467-5		232-1		468-11
	467-19		233-1		469-11
	468-5		234-1		470-11
	468-19		235-1		471-11
	469-5		236-1		472-11
	469-19		237-1	37820-87L00	473-11
	470-5		238-1		388-10
	470-19		239-1		389-10
	471-5		240-1		390-10
	471-19		241-1		391-10
	472-5		242-1		392-10
	472-19		243-1		393-10
	473-5		244-1		394-10
	473-19		245-1		395-10
	474-7	37721-93J91	474-8		396-10
	475-7		475-8		397-10
	476-7		476-8		483-9
	477-7		477-8		484-9
	478-7		478-8		485-9
	479-7		479-8		486-9
	480-7		480-8		487-9
	481-7	37725-88L00	481-8		488-9
	483-8		228-3		489-9
	484-8		229-3		490-9
	485-8		230-3	37820-93J03	466-21
	486-8		231-3		467-21
	487-8		232-3		468-21
	488-8		233-3		469-21
	489-8		234-3		470-21
	490-8		235-3		471-21
37210-93J00	466-13		236-3		472-21
	467-13		237-3		473-21
	468-13		238-3		474-9
	469-13		239-3		475-9

PART NO.	FIG.NO.-REF.NO.	PART NO.	FIG.NO.-REF.NO.	PART NO.	FIG.NO.-REF.NO.
	476-9		483-10	37835-95D00	388-48
	477-9		484-10		389-48
	478-9		485-10		390-48
	479-9		486-10		391-48
	480-9		487-10		392-48
37820-99E01	481-9		488-10		393-48
	192-6	37825-99E00	489-10		394-48
	193-2		490-10		395-48
	194-6		466-10		396-48
	195-10		467-10		397-48
	196-6		468-10		483-47
	197-6		469-10		484-47
	198-10		470-10		485-47
	199-10		471-10		486-47
	200-2		472-10		487-47
	201-2	37826-92E00	473-10		488-47
	202-10		388-12		489-47
	203-10		389-12		490-47
	204-10		390-12	37850-87L00	389-14
	205-10		391-12		390-14
	206-10		392-12		393-14
	207-10		393-12		394-14
	208-10		394-12		395-14
	209-10		395-12		396-14
37823-92E01	388-11		396-12		397-14
	389-11		397-12		483-13
	390-11		466-23		484-13
	391-11		467-23		485-13
	392-11		468-23		486-13
	393-11		469-23		487-13
	394-11		470-23		488-13
	395-11		471-23	37850-90J05	489-13
	396-11		472-23		490-13
	397-11		473-23		474-12
	466-22		474-11		475-12
	467-22		475-11		476-12
	468-22		476-11		477-12
	469-22		477-11		478-12
	470-22		478-11		479-12
	471-22		479-11		480-12
	472-22		480-11	37850-99E04	481-12
	473-22		481-11		228-4
	474-10		483-11		230-4
	475-10		484-11		231-4
	476-10		485-11		232-4
	477-10		486-11		233-4
	478-10		487-11		234-4
	479-10		488-11		235-4
	480-10		489-11		238-4
	481-10		490-11		239-4

PART NO.	FIG.NO.-REF.NO.	PART NO.	FIG.NO.-REF.NO.	PART NO.	FIG.NO.-REF.NO.
	240-4		484-49		395-58
	241-4		485-49		396-58
	242-4		486-49		397-58
	243-4		487-49		483-71
	244-4		488-49		484-72
37851-88L90	245-4		489-49		485-71
	388-49	37853-88L90	490-49		486-72
	389-49		388-34		487-72
	390-49		389-35		488-72
	391-49		390-35		489-72
	392-49		391-34		490-72
	393-49		392-34	37855-99E00	466-12
	394-49		393-35		467-12
	395-49		394-35		468-12
	396-49		395-35		469-12
	397-49		396-35		470-12
	483-48		397-35		471-12
	484-48		483-34		472-12
	485-48		484-34		473-12
	486-48		485-34	37859-90J00	474-54
	487-48		486-34		475-54
	488-48		487-34		476-54
	489-48		488-34		477-54
	490-48		489-34		478-54
37852-87J00	388-14		490-34		479-54
	389-15	37854-88L90	388-58		480-54
	390-15		389-59		481-54
	391-14		390-59	37860-87L00	466-27
	392-14		391-58		467-27
	393-15		392-58		468-27
	394-15		393-59		469-27
	395-15		394-59		470-27
	396-15		395-59		471-27
	397-15		396-59		472-27
	483-14		397-59		473-27
	484-14		483-72	37861-87L10	388-50
	485-14		484-73		389-51
	486-14		485-72		390-51
	487-14		486-73		391-50
	488-14		487-73		392-50
	489-14		488-73		393-51
	490-14		489-73		394-51
37852-88L90	389-50		490-73		395-51
	390-50	37855-88L90	388-57		396-51
	393-50		389-58		397-51
	394-50		390-58		483-50
	395-50		391-57		484-50
	396-50		392-57		485-50
	397-50		393-58		486-50
	483-49		394-58		487-50

PART NO.	FIG.NO.-REF.NO.	PART NO.	FIG.NO.-REF.NO.	PART NO.	FIG.NO.-REF.NO.
	488-50		306-1		459-1
	489-50		307-1		460-3
	490-50		308-1		461-1
37862-87L00	466-28		309-1		462-3
	467-28		310-1		463-3
	468-28		311-1		464-1
	469-28		312-1		465-1
	470-28		313-1	38500-93J90	388-13
	471-28		314-1		389-13
	472-28	38410-93J12	228-7		390-13
	473-28		230-7		391-13
37864-88L90	388-51		231-7		392-13
	389-52		232-7		393-13
	390-52		233-7		394-13
	391-51		234-7		395-13
	392-51		235-7		396-13
	393-52		238-7		397-13
	394-52		239-7		466-7
	395-52		240-7		466-25
	396-52		241-7		467-7
	397-52		242-7		467-25
	483-51		243-7		468-7
	484-51		244-7		468-25
	485-51		245-7		469-7
	486-51	38415-93J00	228-8		469-25
	487-51		230-8		470-7
	488-51		231-8		470-25
	489-51		232-8		471-7
	490-51		233-8		471-25
38100-88L11	285-3		234-8		472-7
	286-3		235-8		472-25
	287-3		238-8		473-7
	288-3		239-8		473-25
	289-3		240-8		474-13
	290-3		241-8		475-13
	291-3		242-8		476-13
	292-3		243-8		477-13
	293-3		244-8		478-13
	294-3		245-8		479-13
	295-3	38500-93J00	448-3		480-13
	296-3		449-1		481-13
	297-3		450-1		483-12
	298-3		451-3		484-12
	299-3		452-3		485-12
	300-1		453-1		486-12
	301-1		454-3		487-12
	302-1		455-3		488-12
	303-1		456-1		489-12
	304-1		457-1		490-12
	305-1		458-1	38860-76F01	210-10

PART NO.	FIG.NO.-REF.NO.	PART NO.	FIG.NO.-REF.NO.	PART NO.	FIG.NO.-REF.NO.
	210-11		445-41		251-3
	211-10		446-39		254-3
	211-11		447-39		255-3
	212-10	39950-88L00	492-16	41130-88L10	249-3
	212-11				252-3
	213-10				253-3
	213-11				256-3
	214-10				257-3
	214-11				258-3
	215-10				259-3
	215-11	41111-88L10-0EP	249-1		260-3
	216-10		252-1		261-3
	216-11		253-1		262-3
	217-10		256-1		263-3
	217-11		257-1	41135-93J00	246-16
	218-10		258-1		247-16
	218-11		259-1		248-16
	219-10		260-1		249-4
	219-11		261-1		250-16
	220-10		262-1		251-16
	220-11		263-1		252-4
	221-10	41111-89J21-0EP	246-1		253-4
	221-11		247-1		254-16
	222-10		248-1		255-16
	222-11		250-1		256-4
	223-10		251-1		257-4
	223-11		254-1		258-4
	224-10		255-1		259-4
	224-11	41121-88L01-0EP	249-2		260-4
	225-10		252-2		261-4
	225-11		253-2		262-4
	226-10		256-2		263-4
	226-11		257-2	41153-94500	246-6
	227-10		258-2		247-6
	227-11		259-2		248-6
39950-87L00	430-41		260-2		249-7
	431-39		261-2		250-6
	432-39		262-2		251-6
	433-41		263-2		252-7
	434-41	41121-89J15-0EP	246-2		253-7
	435-39		247-2		254-6
	436-41		248-2		255-6
	437-41		250-2		256-7
	438-39		251-2		257-7
	439-39		254-2		258-7
	440-39		255-2		259-7
	441-39	41130-87J11	246-3		260-7
	442-41		247-3		261-7
	443-39		248-3		262-7
	444-41		250-3		263-7

PART NO.	FIG.NO.-REF.NO.	PART NO.	FIG.NO.-REF.NO.	PART NO.	FIG.NO.-REF.NO.
41161-94400	399-1		268-24		273-17
	400-2		269-20	43111-88L21-0EP	264-1-2
	401-2		272-20		265-1
	402-1		273-20		266-1
	403-1	41231-88L01	267-27		268-1-2
	404-2		270-27		269-1
	405-1		271-27		272-1
	406-1		274-23	43111-88L31-0EP	273-1
	407-2		275-23		264-1-1
	408-2		276-27		268-1-1
	409-2		277-23	43111-88L40-0EP	267-1-2
	410-2		278-27		270-1-2
	411-1		279-27		271-1
	412-2		280-23		274-1
	413-1		281-23		275-1
	414-1	41234-88L00	267-28		278-1-2
	415-2		270-28		279-1-2
	416-2		271-28		280-1-2
41221-88L00-0EP	267-23		274-24		281-1-2
	270-23		275-24	43111-88L50-0EP	267-1-1
	271-23		276-28		270-1-1
	274-19		277-24		276-1
	275-19		278-28		277-1
	276-23		279-28		278-1-1
	277-19		280-24		279-1-1
	278-23		281-24		280-1-1
	279-23	41270-89J10-0EP	264-20		281-1-1
	280-19		265-16	43112-99E00	134-12
	281-19		266-16	43114-88L00	267-14
41224-88L00	267-25		268-20		270-14
	270-25		269-16		271-14
	271-25		272-16		274-14
	274-21		273-16		275-14
	275-21	41280-88L10-0EP	267-24		276-14
	276-25		270-24		277-14
	277-21		271-24		278-14
	278-25		274-20		279-14
	279-25		275-20		280-14
	280-21		276-24		281-14
	281-21		277-20	43119-88L00	267-11
41226-97E00	264-19		278-24		270-11
	265-15		279-24		271-11
	266-15		280-20		274-11
	268-19		281-20		275-11
	269-15	41280-89J04-0EP	264-21		276-11
	272-15		265-17		277-11
	273-15		266-17		278-11
41230-97E10	264-24		268-21		279-11
	265-20		269-17		280-11
	266-20		272-17		281-11

PART NO.	FIG.NO.-REF.NO.	PART NO.	FIG.NO.-REF.NO.	PART NO.	FIG.NO.-REF.NO.
43119-88L10	267-12	43513-88L00	273-24	43750-88L21-0EP	276-3
	270-12		483-84		277-3
	271-12		485-84		278-3
	274-12		265-25		279-3
	275-12		266-25		280-3
	276-12		269-25		281-3
	277-12		272-25		264-4-2
	278-12		273-25		265-4
	279-12		483-85		266-4
	280-12		485-85		267-4-2
43211-87J00	281-12	43514-88L00	265-26	43750-88L31-0EP	268-4-2
	264-2		266-26		269-4
	265-2		269-26		270-4-2
	266-2		272-26		271-4
	268-2		273-26		272-4
	269-2		483-86		273-4
43211-88L00	272-2	43515-88L00	485-86	43750-88L00-0EP	274-4
	273-2		265-27		275-4
	267-2		266-27		278-4-2
	270-2		269-27		279-4-2
	271-2		272-27		280-4-2
	274-2		273-27		281-4-2
43241-87J00	275-2	43516-88L00	483-87	43755-88L00-0EP	264-4-1
	276-2		485-87		267-4-1
	277-2		265-28		268-4-1
	278-2		266-28		270-4-1
	279-2		269-28		276-4
	280-2		272-28		277-4
	281-2		273-28		278-4-1
	247-17		483-88		279-4-1
	254-17		485-88		280-4-1
	255-17		265-29		281-4-1
43411-88L00	265-22	43517-88L00	266-29	43761-88L01-0EP	264-11
	266-22		269-29		267-19
	269-22		272-29		268-11
	272-22		273-29		270-19
	273-22		483-89		271-19
	483-82		485-89		276-19
43415-88L00	485-82	43711-89J10	264-3	43770-99E03	278-19
	265-23		265-3		279-19
	266-23		266-3		388-1
	269-23		268-3		389-1
	272-23		269-3		390-1
	273-23		272-3		391-1
43512-88L00	483-83	43711-97E01	273-3	43770-99E03	392-1
	485-83		267-3		393-1
	265-24		270-3		394-1
	266-24		271-3		395-1
	269-24		274-3		396-1
	272-24		275-3		397-1

PART NO.	FIG.NO.-REF.NO.	PART NO.	FIG.NO.-REF.NO.	PART NO.	FIG.NO.-REF.NO.	
43762-88L00	483-58	45260-89J00	486-69	45421-89J00	284-2	
	484-58		487-69		47226-89J00	282-3
	485-58		488-69			283-3
	486-58		489-69			284-3
	487-58		490-69		47400-87J32	282-4
	488-58		282-1			283-4
	489-58		283-1			284-4
	490-58		284-1		48000-88L15	285-1
	388-75		246-4			286-1
	389-75		247-4			287-1
43768-88L00	390-75	45731-96312	248-4	48000-88L20	288-1	
	391-75		250-4			289-1
	392-75		251-4			290-1
	393-76		254-4			291-1
	394-76		255-4			292-1
	395-76		264-22			293-1
	396-76		265-18			294-1
	397-76		266-18			295-1
	483-59		267-29			296-1
	484-59		268-22			297-1
43770-99E03	485-59	47225-87J00	269-18	47225-88L00	298-1	
	486-59		270-29			299-1
	487-59		271-29			287-20
	488-59		272-18			290-20
	489-59		273-18			291-20
	490-59		274-25			292-20
	388-76		275-25			293-20
	389-76		276-29			294-18
	390-76		277-25			295-18
	391-76		278-29			296-18
43770-99E03	392-76	47225-89J00	279-29	48121-88L10	297-18	
	393-77		280-25			298-18
	394-77		281-25			299-18
	395-77		285-19			282-5
	396-77		286-19			283-5
	397-77		288-19			284-5
	483-60		289-19			285-20
	484-60		287-19			286-20
	485-60		290-19			288-20
	486-60		291-19			289-20
43770-99E03	487-60	47225-89J00	292-19	48121-89J10	283-5	
	488-60		288-19			284-5
	489-60		289-19			285-20
	490-60		287-19			286-20
	393-74		290-19			288-20
	394-74		291-19			289-20
	395-74		292-19			285-4
	396-74		293-19			286-4
	397-74		294-17			287-4
	484-69		295-17			288-4
	296-17		289-4			
	297-17		290-4			
	298-17		291-4			
	299-17		292-4			
	282-2		293-4			
	283-2		294-4			

PART NO.	FIG.NO.-REF.NO.	PART NO.	FIG.NO.-REF.NO.	PART NO.	FIG.NO.-REF.NO.
	295-4		294-21		287-8
	296-4		295-21		288-8
	297-4		296-21		289-8
	298-4		297-21		290-8
	299-4		298-21		291-8
48321-89J11	282-6		299-21		292-8
	283-6	48326-89J00	282-8		293-8
	284-6		283-8		294-7
	285-21		284-8		295-7
	286-21	48330-87J10	285-5		296-7
	287-21		286-5		297-7
	288-21		287-5		298-7
	289-21		288-5		299-7
	290-21		289-5	48551-88L00	285-9
	291-21		290-5		286-9
	292-21		291-5		287-9
48321-89J20	293-21		292-5		288-9
	294-19		293-5		289-9
	295-19	48330-87J20	294-5		290-9
	296-19		295-5		291-9
	297-19		296-5		292-9
	298-19		297-5		293-9
48325-89J00	299-19		298-5	48551-88L10	294-8
	282-7		299-5		295-8
	283-7	48510-97E00	285-6		296-8
	284-7		286-6		297-8
	285-22		287-6		298-8
	286-22		288-6		299-8
	287-22		289-6	48553-88L00	285-10
	288-22		290-6		286-10
	289-22		291-6		287-10
	290-22		292-6		288-10
	291-22		293-6		289-10
	292-22	48510-97E10	294-6		290-10
	293-22		295-6		291-10
48325-89J10	294-20		296-6		292-10
	295-20		297-6		293-10
	296-20		298-6		294-9
	297-20		299-6		295-9
	298-20	48541-87J10	285-7		296-9
	299-20		286-7		297-9
48326-87J00	285-23		287-7		298-9
	286-23		288-7		299-9
	287-23		289-7	48557-87J10	285-11
	288-23		290-7		286-11
	289-23		291-7		287-11
	290-23		292-7		288-11
	291-23		293-7		289-11
	292-23	48541-87J20	285-8		290-11
	293-23		286-8		291-11

PART NO.	FIG.NO.-REF.NO.	PART NO.	FIG.NO.-REF.NO.	PART NO.	FIG.NO.-REF.NO.
	292-11		288-15		293-18
	293-11		289-15		294-16
	294-10		290-15		295-16
	295-10		291-15		296-16
	296-10		292-15		297-16
48571-88L00	297-10		293-15		298-16
	298-10		294-13		299-16
	299-10		295-13		
	285-12		296-13		
	286-12		297-13		
	287-12		298-13		
	288-12		299-13		
	289-12	48611-88L00	285-16		
	290-12		286-16		
	291-12		287-16		
	292-12		288-16	51110-88L10-0EP	315-1
	293-12		289-16		316-1
	294-11		290-16		317-1
	295-11		291-16		318-1
	296-11		292-16		319-1
	297-11		293-16		320-1
	298-11		294-14		321-1
48572-87L00	299-11		295-14		322-1
	285-13		296-14		323-1
	286-13		297-14		324-1
	287-13		298-14		325-1
	288-13		299-14		326-1
	289-13	48681-87J11	285-17		327-1
	290-13		286-17		328-1
	291-13		287-17		329-1
	292-13		288-17		330-1
	293-13		289-17		331-1
	294-12		290-17		332-1
	295-12		291-17	51122-88L00	315-8
	296-12		292-17		316-8
	297-12		293-17		317-8
	298-12		294-15		318-8
	299-12		295-15		319-8
48582-97E01	285-14		296-15		320-8
	286-14		297-15		321-8
	287-14		298-15		322-8
	288-14		299-15		323-8
	289-14	48862-87J20	285-18		324-8
	290-14		286-18		325-8
	291-14		287-18		326-8
	292-14		288-18		327-8
	293-14		289-18		328-8
48583-87J10	285-15		290-18		329-8
	286-15		291-18		330-8
	287-15		292-18		331-8

PART NO.	FIG.NO.-REF.NO.	PART NO.	FIG.NO.-REF.NO.	PART NO.	FIG.NO.-REF.NO.
51123-88L00	332-8		327-2		317-22
	315-9		328-2		318-20
	316-9		329-2		318-22
	317-9		330-2		319-20
	318-9		331-2		319-22
	319-9		332-2		320-20
	320-9		491-9		320-22
	321-9	52111-88L00-0EP	333-1-1		321-20
	322-9		336-1-1		321-22
	323-9		337-1-1		322-20
324-9		339-1-1		322-22	
325-9	52111-88L10-0EP	333-1-2		323-20	
326-9		334-1		323-22	
327-9		335-1		324-20	
328-9		336-1-2		324-22	
329-9		337-1-2		325-20	
330-9		338-1		325-22	
331-9		339-1-2		326-20	
332-9		340-1		326-22	
491-10		341-1		327-20	
51170-88L00	315-14		342-1		327-22
	316-14		343-1		328-20
	317-14		344-1		328-22
	318-14	52111-88L20-0EP	345-1		329-20
	319-14		346-1		329-22
	320-14		347-1-1		330-20
	321-14		348-1-1		330-22
	322-14		349-1-1		331-20
	323-14		350-1-1		331-22
	324-14	52111-88L30-0EP	347-1-2		332-20
	325-14		348-1-2		332-22
	326-14		349-1-2		333-14
	327-14		350-1-2		334-14
	328-14	52131-88L00-0EP	339-7		335-14
	329-14		340-7		336-14
	330-14		341-7		337-14
	331-14		342-7		338-14
51211-88L00	332-14		343-7		339-18
	315-2		344-7		340-18
	316-2	52131-88L10-0EP	345-7		341-18
	317-2		346-7		342-18
	318-2		347-7		343-18
	319-2		348-7		344-18
	320-2		349-7		345-20
	321-2		350-7		346-20
	322-2	54114-90J01	315-20		347-21
	323-2		315-22		348-21
	324-2		316-20		349-21
	325-2		316-22		350-21
	326-2		317-20	54120-88L00	327-17

PART NO.	FIG.NO.-REF.NO.	PART NO.	FIG.NO.-REF.NO.	PART NO.	FIG.NO.-REF.NO.
			328-17		324-18
			329-17		325-18
			330-17		326-18
			331-17		327-18
			332-17		328-18
54121-88L00			315-23		329-18
			316-23		330-18
			317-23		331-18
			318-23		332-18
		54137-88L00	319-23		315-12
			320-23		316-12
			321-23		317-12
			322-23		318-12
			323-23		319-12
			324-23		320-12
			325-23		321-12
54123-88L00			326-23		322-12
			315-24		323-12
			316-24		324-12
			317-24		325-12
			318-24		326-12
			319-24		327-12
			320-24		328-12
			321-24		329-12
			322-24		330-12
			323-24		331-12
			324-24		332-12
		54151-88L00	325-24		333-8
			326-24		334-8
54124-88L20			315-17		335-8
			316-17		336-8
			317-17		337-8
			318-17		338-8
			319-17		339-12
			320-17		340-12
			321-17		341-12
			322-17		342-12
			323-17		343-12
			324-17		344-12
			325-17		345-14
			326-17		346-14
54130-88L00			315-18		347-15
			316-18		348-15
			317-18		349-15
			318-18		350-15
		54160-88L10	319-18		333-9
			320-18		334-9
			321-18		335-9
			322-18		336-9
			323-18		337-9
				54167-87L01	338-9
					339-13
					340-13
					341-13
					342-13
					343-13
					344-13
					345-15
					346-15
					347-16
					348-16
					349-16
					350-16
					315-19
					316-19
					317-19
					318-19
					319-19
					320-19
					321-19
					322-19
					323-19
					324-19
					325-19
					326-19
					327-19
					328-19
					329-19
					330-19
					331-19
					332-19
					333-12
					334-12
					335-12
					336-12
					337-12
					338-12
					339-16
					340-16
					341-16
					342-16
					343-16
					344-16
					345-18
					346-18
					347-19
					348-19
					349-19
					350-19
					333-10

PART NO.	FIG.NO.-REF.NO.	PART NO.	FIG.NO.-REF.NO.	PART NO.	FIG.NO.-REF.NO.
	334-10		348-14		362-1
	335-10		349-14	55110-90J15-0EP	363-1
	336-10		350-14		364-1
	337-10	54221-88L01-0EP	333-4		365-1
	338-10		334-4		366-1
	339-14		335-4		367-1
	340-14		336-4	55122-88L00	368-1
	341-14		337-4		171-28
	342-14		338-4		172-28
	343-14		339-4		173-28
	344-14		340-4		174-28
	345-16		341-4		175-28
	346-16		342-4		176-28
	347-17		343-4		177-28
	348-17		344-4		178-28
	349-17		345-4		179-28
54180-88L00	350-17		346-4		180-28
	333-11		347-4		181-28
	334-11		348-4		182-28
	335-11		349-4	55125-90J01	363-3
	336-11		350-4		364-3
	337-11	54231-88L01-0EP	333-5		365-3
	338-11		334-5		366-3
	339-15		335-5		367-3
	340-15		336-5		368-3
	341-15		337-5	55125-95500	351-4
	342-15		338-5		352-4
	343-15		339-5		353-4
	344-15		340-5		354-4
	345-17		341-5		355-4
	346-17		342-5		356-4
	347-18		343-5		357-4
	348-18		344-5		358-4
	349-18		345-5		359-4
	350-18		346-5		360-4
54211-87J10-0EP	333-7		347-5		361-4
	334-7		348-5		362-4
	335-7		349-5	55127-87D00	363-4
	336-7		350-5		364-4
	337-7	55100-87J50-0EP	351-1		365-4
	338-7		352-1		366-4
	339-11		353-1		367-4
	340-11		354-1		368-4
	341-11		355-1	55181-95200	351-17
	342-11		356-1		352-17
	343-11		357-1		353-17
	344-11		358-1		354-17
54211-87J30-0EP	345-13		359-1		355-17
	346-13		360-1		356-17
	347-14		361-1		357-19

PART NO.	FIG.NO.-REF.NO.	PART NO.	FIG.NO.-REF.NO.	PART NO.	FIG.NO.-REF.NO.
	358-19		10-7-1		11-7-2
	359-19		11-7-1		12-7-2
	360-19		12-7-1		13-7-2
	361-19		13-7-1		14-7-2
	362-19		14-7-1		15-7-2
	363-29		15-7-1		16-7-2
	364-29		16-7-1		17-7-2
	365-29		17-7-1		18-7-2
	366-29		18-7-1		108-22
	367-29		19-8		109-22
	368-29		258-12		110-22
55300-95500	351-18		259-12		112-22
	352-18		260-12		113-21
	353-18		261-12		351-20
	354-18		262-12		352-20
	355-18		263-12		353-20
	356-18		282-9		354-20
	357-20		283-9		355-20
	358-20		284-9		356-20
	359-20		285-26		357-22
	360-20		286-26	55321-90J01	363-5
	361-20		287-26		364-5
	362-20		288-26		365-5
	363-27		289-26		366-5
	364-27		290-26		367-5
	365-27		291-26		368-5
	366-27		292-26	55332-87D11	363-6
	367-27		293-26		364-6
	368-27		294-24		365-6
55320-94900	249-12		295-24		366-6
	252-12		296-24		367-6
	253-12		297-24		368-6
	256-12		298-24	55333-87D10	363-7
	257-12		299-24		364-7
55320-95311	246-7		345-11		365-7
	247-7		346-11		366-7
	248-7		347-12		367-7
	250-7		348-12		368-7
	251-7		349-12	56120-90J02-0EP	183-19
	254-7		350-12		184-19
	255-7	55321-87J10	1-7-2		185-19
55321-87J00	1-7-1		2-7-2		186-19
	2-7-1		3-7-2		187-19
	3-7-1		4-7-2		188-19
	4-7-1		5-7-2	56120-94321-0EP	171-20
	5-7-1		6-7-2		172-20
	6-7-1		7-7-2		173-20
	7-7-1		8-7-2		174-20
	8-7-1		9-7-2		175-20
	9-7-1		10-7-2		176-20

PART NO.	FIG.NO.-REF.NO.	PART NO.	FIG.NO.-REF.NO.	PART NO.	FIG.NO.-REF.NO.
	177-20		181-1-1		173-3
	178-20		182-1-1		174-3
	179-20	57110-88L22	177-1-3		175-3
	180-20		178-1-2		176-3
	181-20		179-1-2		177-3
56123-90J00	182-20		180-1-2		178-3
	183-20		181-1-2		179-3
	184-20	57110-88L30	182-1-2		180-3
	185-20		183-1-1		181-3
	186-20		184-1-1		182-3
	187-20		185-1-1	57300-87851	171-6
56130-87E00	188-20		186-1-1		172-6
	183-27		187-1-1		173-6
	184-27		188-1-1		174-6
	185-27	57110-88L40	183-1-2		175-6
	186-27		184-1-2		176-6
	187-27		185-1-2		177-6
56130-87J10-0EP	188-27		186-1-2		178-6
	171-26		187-1-2		179-6
	172-26		188-1-2		180-6
	173-26	57130-94301	339-10		181-6
	174-26		340-10	57300-99824	182-6
	175-26		341-10		183-4
	176-26		342-10		184-4
	177-26		343-10		185-4
	178-26		344-10		186-4
	179-26		347-11		187-4
	180-26		348-11		188-4
	181-26		349-11	57610-88L10	183-11
	182-26		350-11		184-11
56145-99E01	363-30	57133-88L01	171-2		185-11
	364-30		172-2		186-11
	365-30		173-2		187-11
	366-30		174-2		188-11
	367-30		175-2	57610-94402	171-13
	368-30		176-2		172-13
57110-88L02	171-1-1		177-2		173-13
	174-1-1		178-2		174-13
	175-1-1		179-2		175-13
	177-1-1		180-2		176-13
57110-88L12	171-1-2		181-2		177-13
	172-1		182-2		178-13
	173-1	57133-90J02	183-2		179-13
	174-1-2		184-2		180-13
	175-1-2		185-2		181-13
	176-1		186-2		182-13
	177-1-2		187-2	57621-87J02	171-14
	178-1-1		188-2		172-14
	179-1-1	57133-94400	171-3		173-14
	180-1-1		172-3		174-14

PART NO.	FIG.NO.-REF.NO.	PART NO.	FIG.NO.-REF.NO.	PART NO.	FIG.NO.-REF.NO.
	175-14	57632-95320	351-11		365-19-1
	176-14		352-11		366-19-1
	177-14		353-11		367-19-1
	178-14		354-11		368-19-1
	179-14		355-11	58100-87LB0-019	363-19-2
	180-14		356-11		364-19-2
57621-94514	181-14		357-13		365-19-2
	182-14		358-13		366-19-2
	183-12		359-13		367-19-2
	184-12		360-13		368-19-2
	185-12		361-13	58100-87LC0-019	363-19-3
	186-12		362-13		364-19-3
	187-12	57633-90J02	363-21		365-19-3
	188-12		364-21		366-19-3
57630-94300	351-16		365-21		367-19-3
	352-16		366-21		368-19-3
	353-16		367-21	58100-87LG0-019	363-19-4
	354-16		368-21		364-19-4
	355-16	57633-94300	351-12		365-19-4
	356-16		352-12		366-19-4
	357-18		353-12		367-19-4
	358-18		354-12		368-19-4
	359-18		355-12	58100-87LH0-019	363-19-5
	360-18		356-12		364-19-5
	361-18		357-14		365-19-5
57630-94500	362-18		358-14		366-19-5
	363-26		359-14		367-19-5
	364-26		360-14		368-19-5
	365-26		361-14	58100-88L03-019	351-9-1
	366-26		362-14		352-9-1
	367-26	57634-88L00	171-16		353-9-1
	368-26		172-16		354-9-1
57631-95303	171-19		173-16		355-9-1
	172-19		174-16		356-9-1
	173-19		175-16		357-11-1
	174-19		176-16		358-11-1
	175-19		177-16		359-11-1
	176-19		178-16		360-11-1
	177-19		179-16		361-11-1
	178-19		180-16		362-11-1
	179-19		181-16	58100-88L13-019	351-9-2
	180-19		182-16		352-9-2
	181-19	57635-90J01	363-22		353-9-2
	182-19		364-22		354-9-2
57631-99E01	183-14		365-22		355-9-2
	184-14		366-22		356-9-2
	185-14		367-22		357-11-2
	186-14		368-22		358-11-2
	187-14	58100-87LA0-019	363-19-1		359-11-2
	188-14		364-19-1		360-11-2

PART NO.	FIG.NO.-REF.NO.	PART NO.	FIG.NO.-REF.NO.	PART NO.	FIG.NO.-REF.NO.
58100-88L23-019	361-11-2	58100-88L83-019	351-9-9	58200-88L00	359-12
	362-11-2		352-9-9		360-12
	351-9-3		353-9-9		361-12
	352-9-3		354-9-9		362-12
	353-9-3		355-9-9		351-9-10
	354-9-3		356-9-9		352-9-10
	355-9-3		357-11-9		353-9-10
	356-9-3		358-11-9		354-9-10
	357-11-3		359-11-9		355-9-10
	358-11-3		360-11-9		356-9-10
359-11-3	361-11-9	357-11-10			
360-11-3	362-11-9	358-11-10			
361-11-3	58100-88LA0-019	351-9-4	58200-88L10	359-11-10	
362-11-3		352-9-4		360-11-10	
351-9-6		353-9-4		361-11-10	
352-9-6		354-9-4		362-11-10	
353-9-6		355-9-4		351-9-11	
354-9-6		356-9-4		352-9-11	
355-9-6		357-11-4		353-9-11	
356-9-6		358-11-4		354-9-11	
357-11-6		359-11-4		355-9-11	
358-11-6		360-11-4		356-9-11	
359-11-6	361-11-4	357-11-11			
360-11-6	362-11-4	358-11-11			
361-11-6	58100-88LB0-019	351-9-5	58200-88L30	359-11-11	
362-11-6		352-9-5		360-11-11	
351-9-7		353-9-5		361-11-11	
352-9-7		354-9-5		362-11-11	
353-9-7		355-9-5		351-9-12	
354-9-7		356-9-5		352-9-12	
355-9-7		357-11-5		353-9-12	
356-9-7		358-11-5		354-9-12	
357-11-7		359-11-5		355-9-12	
358-11-7		360-11-5		356-9-12	
359-11-7	361-11-5	357-11-12			
360-11-7	362-11-5	358-11-12			
361-11-7	58105-90J00	363-20	60000	359-11-12	
362-11-7		364-20		360-11-12	
351-9-8		365-20		361-11-12	
352-9-8		366-20		362-11-12	
353-9-8		367-20			
354-9-8		368-20			
355-9-8		351-10			
356-9-8		352-10			
357-11-8		353-10			
358-11-8		354-10		61112-88L10	369-1
359-11-8	355-10	61124-88L10	369-24		
360-11-8	356-10	61134-88L10	369-2		
361-11-8	357-12	61151-88L00	369-6		
362-11-8	358-12	61188-88L00	398-11		

PART NO.	FIG.NO.-REF.NO.	PART NO.	FIG.NO.-REF.NO.	PART NO.	FIG.NO.-REF.NO.
61400-88805-OEP	370-1	61435-88L22	382-14	61438-88L00	379-4
	371-1		383-13		380-4
	372-1		383-14		381-4
	373-1		376-13		382-4
	374-1		376-14		383-4
	375-1		377-13		384-4
	376-1		377-14		385-4
	377-1		378-13		386-4
	378-1		378-14		387-4
	379-1		379-13		370-9
380-1	379-14	371-9			
381-1	380-13	372-9			
382-1	380-14	373-9			
383-1	381-13	374-9			
384-1	381-14	375-9			
385-1	384-13	376-9			
386-1	384-14	377-9			
387-1	385-13	378-9			
369-11	385-14	379-9			
370-2	386-13	380-9			
371-2	386-14	381-9			
372-2	387-13	382-9			
373-2	387-14	383-9			
374-2	370-3	384-9			
375-2	371-3	385-9			
376-2	372-3	386-9			
377-2	373-3	387-9			
378-2	374-3	370-11			
379-2	375-3	371-11			
380-2	376-3	372-11			
381-2	377-3	373-11			
382-2	378-3	374-11			
383-2	379-3	375-11			
384-2	380-3	376-11			
385-2	381-3	377-11			
386-2	382-3	378-11			
387-2	383-3	379-11			
370-13	384-3	380-11			
370-14	385-3	381-11			
371-13	386-3	382-11			
371-14	387-3	383-11			
372-13	370-4	384-11			
372-14	371-4	385-11			
373-13	372-4	386-11			
373-14	373-4	387-11			
374-13	374-4	370-10			
374-14	375-4	371-10			
375-13	376-4	372-10			
375-14	377-4	373-10			
382-13	378-4	374-10			

PART NO.	FIG.NO.-REF.NO.	PART NO.	FIG.NO.-REF.NO.	PART NO.	FIG.NO.-REF.NO.
	375-10		29-10		29-12
	376-10		31-10		30-12
	377-10		35-10		31-12
	378-10		37-10		32-12
	379-10	61472-93E40	20-10		33-12
	380-10		21-10		34-12
	381-10		22-10		35-12
	382-10		23-10		36-12
	383-10		24-10		37-12
	384-10		25-10	61494-88L00	20-13
	385-10		26-10		21-13
	386-10		28-10		22-13
61458-99E70	387-10		30-10		23-13
	370-15		32-10		24-13
	371-15		33-10		25-13
	372-15		34-10		26-13
	373-15	61473-88L00	36-10		27-13
	374-15		382-21		28-13
	375-15		383-21		29-13
	376-15		384-21		30-13
	377-15		385-21		31-13
	378-15		386-21		32-13
	379-15	61476-88L00	387-21		33-13
	380-15		370-6		34-13
	381-15		371-6		35-13
	382-15		372-6		36-13
	383-15		373-6	61610-95J00	37-13
	384-15		374-6		370-7
	385-15		375-6		371-7
	386-15		376-6		372-7
	387-15		377-6		373-7
61471-98J00	370-16		378-6		374-7
	371-16		379-6		375-7
	372-16		380-6		376-7
	373-16		381-6		377-7
	374-16		382-6		378-7
	375-16		383-6		379-7
	376-16		384-6		380-7
	377-16		385-6		381-7
	378-16		386-6		382-7
	379-16		387-6		383-7
	380-16	61493-88L00	20-12		384-7
	381-16		21-12		385-7
	382-16		22-12		386-7
	383-16		23-12		387-7
	384-16		24-12	61632-93J00	369-13
	385-16		25-12	61633-88L00	369-16
	386-16		26-12	61641-88L00	369-14
	387-16		27-12	61673-93J11	369-22
61472-93E32	27-10		28-12	61811-88L20-0EP	369-3-2

PART NO.	FIG.NO.-REF.NO.	PART NO.	FIG.NO.-REF.NO.	PART NO.	FIG.NO.-REF.NO.
61811-88L30-0EP	369-3-1		483-65		394-17
61821-88L20-0EP	369-4-2		484-65		395-17
61821-88L30-0EP	369-4-1		485-65		396-17
61831-88L10-0EP	369-7		486-65		397-17
63002-88L10-0EP	484-1		487-65		483-16
	486-1		488-65		484-16
	487-1		489-65		485-16
	488-1	63121-88L00	490-65		486-16
	489-1		388-15		487-16
	490-1		389-16		488-16
63002-88L20-0EP	483-1		390-16		489-16
	485-1		391-15		490-16
63110-88L20-0EP	389-2		392-15	63215-93110	388-72
	390-2		393-16		389-72
	393-2		394-16		390-72
	394-2		395-16		391-72
	395-2		396-16		392-72
	396-2		397-16		393-72
	397-2		483-15		394-72
63110-88L30-0EP	388-2		484-15		395-72
	391-2		485-15		396-72
	392-2		486-15		397-72
63111-88L00-0EP	388-63		487-15		483-67
	389-64		488-15		484-67
	390-64		489-15		485-67
	391-63		490-15		486-67
	392-63	63132-88L00	388-74		487-67
	393-64		389-74		488-67
	394-64		390-74		489-67
	395-64		391-74		490-67
	396-64		392-74	63221-88L00	388-17
	397-64		393-75		389-18
	483-77		394-75		390-18
	484-78		395-75		391-17
	485-77		396-75		392-17
	486-78		397-75		393-18
	487-78		483-69		394-18
	488-78		484-70		395-18
	489-78		485-69		396-18
	490-78		486-70		397-18
63115-88L00	388-69		487-70		483-17
	389-69		488-70		484-17
	390-69		489-70		485-17
	391-69		490-70		486-17
	392-69	63210-88L00	388-16		487-17
	393-69		389-17		488-17
	394-69		390-17		489-17
	395-69		391-16		490-17
	396-69		392-16	63223-92D00	388-18
	397-69		393-17		389-19

PART NO.	FIG.NO.-REF.NO.	PART NO.	FIG.NO.-REF.NO.	PART NO.	FIG.NO.-REF.NO.
	390-19		489-20		485-53
	391-18		490-20		486-53
	392-18	63235-88L00	388-21		487-53
	393-19		389-22		488-53
	394-19		390-22		489-53
	395-19		391-21		490-53
	396-19		392-21	63246-88L00	388-22
	397-19		393-22		389-23
	483-18		394-22		390-23
	484-18		395-22		391-22
	485-18		396-22		392-22
	486-18		397-22		393-23
	487-18		483-21		394-23
	488-18		484-21		395-23
	489-18		485-21		396-23
63225-88L00	490-18		486-21		397-23
	388-19		487-21		483-22
	389-20		488-21		484-22
	390-20		489-21		485-22
	391-19		490-21		486-22
	392-19	63244-99J00	388-52		487-22
	393-20		389-53		488-22
	394-20		390-53		489-22
	395-20		391-52		490-22
	396-20		392-52	63247-99J00	388-62
	397-20		393-53		389-63
	483-19		394-53		390-63
	484-19		395-53		391-62
	485-19		396-53		392-62
	486-19		397-53		393-63
	487-19		483-52		394-63
	488-19		484-52		395-63
	489-19		485-52		396-63
63227-93200	490-19		486-52		397-63
	388-20		487-52		483-76
	389-21		488-52		484-77
	390-21		489-52		485-76
	391-20		490-52		486-77
	392-20	63245-99J00	388-53		487-77
	393-21		389-54		488-77
	394-21		390-54		489-77
	395-21		391-53		490-77
	396-21		392-53	63248-99J00	388-30
	397-21		393-54		389-31
	483-20		394-54		390-31
	484-20		395-54		391-30
	485-20		396-54		392-30
	486-20		397-54		393-31
	487-20		483-53		394-31
	488-20		484-53		395-31

PART NO.	FIG.NO.-REF.NO.	PART NO.	FIG.NO.-REF.NO.	PART NO.	FIG.NO.-REF.NO.
	396-31		392-56	63261-87J00	388-31
	397-31		393-57		389-32
	483-30		394-57		390-32
	484-30		395-57		391-31
	485-30		396-57		392-31
	486-30		397-57		393-32
	487-30		483-70		394-32
	488-30		484-71		395-32
	489-30		485-70		396-32
	490-30		486-71		397-32
63250-88L00	388-23		487-71		483-31
	389-24		488-71		484-31
	390-24		489-71		485-31
	391-23		490-71		486-31
	392-23	63258-88L00	388-59		487-31
	393-24		389-60		488-31
	394-24		390-60		489-31
	395-24		391-59		490-31
	396-24		392-59	63262-87J00	388-28
	397-24		393-60		389-29
	483-23		394-60		390-29
	484-23		395-60		391-28
	485-23		396-60		392-28
	486-23		397-60		393-29
	487-23		483-73		394-29
	488-23		484-74		395-29
	489-23		485-73		396-29
63251-87J00	490-23		486-74		397-29
	388-24		487-74		483-28
	389-25		488-74		484-28
	390-25		489-74		485-28
	391-24	63260-88L00	490-74		486-28
	392-24		388-25		487-28
	393-25		389-26		488-28
	394-25		390-26		489-28
	395-25		391-25		490-28
	396-25		392-25	63271-87J00	388-29
	397-25		393-26		389-30
	483-24		394-26		390-30
	484-24		395-26		391-29
	485-24		396-26		392-29
	486-24		397-26		393-30
	487-24		483-25		394-30
	488-24		484-25		395-30
	489-24		485-25		396-30
	490-24		486-25		397-30
63251-88L90	388-56		487-25		483-29
	389-57		488-25		484-29
	390-57		489-25		485-29
	391-56		490-25		486-29

PART NO.	FIG.NO.-REF.NO.	PART NO.	FIG.NO.-REF.NO.	PART NO.	FIG.NO.-REF.NO.
63272-87J00	487-29		483-32		394-44
	488-29		484-32		395-44
	489-29		485-32		396-44
	490-29		486-32		397-44
	388-26		487-32		483-43
	389-27		488-32		484-43
	390-27		489-32		485-43
	391-26		490-32		486-43
	392-26	63610-88L00	388-33		487-43
	393-27		389-34		488-43
394-27		390-34		489-43	
395-27		391-33		490-43	
396-27		392-33	63612-88L10	388-54	
397-27		393-34		389-55	
483-26		394-34		390-55	
484-26		395-34		391-54	
485-26		396-34		392-54	
486-26		397-34		393-55	
487-26		483-33		394-55	
488-26		484-33		395-55	
489-26		485-33		396-55	
490-26		486-33		397-55	
388-27		487-33		483-54	
389-28		488-33		484-54	
390-28		489-33		485-54	
391-27		490-33		486-54	
392-27	63611-88L00	388-43		487-54	
393-28		389-43		488-54	
394-28		390-43		489-54	
395-28		391-43		490-54	
396-28		392-43	63626-88L00	388-35	
397-28		393-43		389-36	
483-27		394-43		390-36	
484-27		395-43		391-35	
485-27		396-43		392-35	
486-27		397-43		393-36	
487-27		483-42		394-36	
488-27		484-42		395-36	
489-27		485-42		396-36	
490-27		486-42		397-36	
388-32		487-42		483-35	
389-33		488-42		484-35	
390-33		489-42		485-35	
391-32		490-42		486-35	
392-32	63612-87J00	388-44		487-35	
393-33		389-44		488-35	
394-33		390-44		489-35	
395-33		391-44		490-35	
396-33		392-44	65000-95D01	398-1	
397-33		393-44	65520-95D00	398-2	

PART NO.	FIG.NO.-REF.NO.	PART NO.	FIG.NO.-REF.NO.	PART NO.	FIG.NO.-REF.NO.
65561-95D00	398-3	67220-95630	474-18		476-24
65700-90J14	398-8		475-18		477-24
65740-95D01	398-7		476-18		478-24
65750-95500	398-9		477-18		479-24
65770-90J11	398-10		478-18		480-24
65793-88L00	388-78		479-18	67244-95600	481-24
	389-78		480-18		474-25
	390-78	67223-99E10	481-18		475-25
	391-78		474-19		476-25
	392-78		475-19		477-25
	393-79		476-19		478-25
	394-79		477-19		479-25
	395-79		478-19		480-25
	396-79		479-19		481-25
	397-79		480-19	67245-95600	474-26
	483-79		481-19		475-26
	484-80	67229-95600	474-20		476-26
	485-79		475-20		477-26
	486-80		476-20		478-26
	487-80		477-20		479-26
	488-80		478-20		480-26
	489-80		479-20		481-26
	490-80		480-20	67251-99E10	474-27
65831-95D00	398-4		481-20		475-27
65890-95D00	398-5	67232-95600	474-21		476-27
65892-95D00	398-6		475-21		477-27
67200-93J06	474-1		476-21		478-27
	475-1		477-21		479-27
	476-1		478-21		480-27
	477-1		479-21		481-27
	478-1		480-21	67252-95600	474-28
	479-1		481-21		475-28
	480-1	67238-87D00	474-22		476-28
	481-1		475-22		477-28
67212-95600	474-14		476-22		478-28
	475-14		477-22		479-28
	476-14		478-22		480-28
	477-14		479-22		481-28
	478-14		480-22	67253-95600	474-29
	479-14		481-22		475-29
	480-14	67241-99E10	474-23		476-29
	481-14		475-23		477-29
67213-92E00	474-15		476-23		478-29
	475-15		477-23		479-29
	476-15		478-23		480-29
	477-15		479-23		481-29
	478-15		480-23	67255-99E00	474-30
	479-15		481-23		475-30
	480-15	67243-95600	474-24		476-30
	481-15		475-24		477-30

PART NO.	FIG.NO.-REF.NO.	PART NO.	FIG.NO.-REF.NO.	PART NO.	FIG.NO.-REF.NO.
67256-95600	478-30	67267-93J00	477-37	67292-94300	486-36
	479-30		478-37		487-36
	480-30		479-37		488-36
	481-30		480-37		489-36
	474-31		481-37		490-36
67257-99E00	475-31	67273-95600	474-38	67294-95600	474-42
	476-31		475-38		475-42
	477-31		476-38		476-42
	478-31		477-38		477-42
	479-31		478-38		478-42
	480-31		479-38		479-42
	481-31		480-38		480-42
	474-32		481-38		481-42
	475-32		474-39		474-43
	476-32		475-39		475-43
67258-99E00	477-32	67275-95600	476-39	67296-90J00	476-43
	478-32		477-39		477-43
	479-32		478-39		478-43
	480-32		479-39		479-43
	481-32		480-39		480-43
	474-33		481-39		481-43
	475-33		474-40		474-44
	476-33		475-40		475-44
	477-33		476-40		476-44
	478-33		477-40		477-44
67259-87D00	479-33	67288-92E00	478-40	67296-92E11	478-44
	480-33		479-40		479-44
	481-33		480-40		480-44
	474-34		481-40		481-44
	475-34		474-41		474-17
	476-34		475-41		475-17
	477-34		476-41		476-17
	478-34		477-41		477-17
	479-34		478-41		478-17
	480-34		479-41		479-17
67261-99E00	481-34	67292-87J00	480-41	67296-94300	480-17
	474-35		481-41		481-17
	475-35		388-37		474-45
	476-35		389-37		475-45
	477-35		390-37		476-45
	478-35		391-37		477-45
	479-35		392-37		478-45
	480-35		393-37		479-45
	481-35		394-37		480-45
	388-36		395-37		481-45
67263-88L00	391-36	67296-94310	396-37	474-36	474-36
	392-36		397-37	475-36	475-36
	474-37		483-36	476-36	476-36
	475-37		484-36	477-36	477-36
67264-95600	476-37		485-36	478-36	478-36

PART NO.	FIG.NO.-REF.NO.	PART NO.	FIG.NO.-REF.NO.	PART NO.	FIG.NO.-REF.NO.
67296-95600	479-36	67320-93J30	481-57-3	67320-93J40	136-16
	480-36		474-57-4		137-16
	481-36		475-57-4		138-16
	474-46		476-57-4		139-16
	475-46		477-57-4		140-16
67296-95610	476-46	67320-93J50	478-57-4	67343-88L01	141-16
	477-46		479-57-4		142-16
	478-46		480-57-4		143-16
	479-46		481-57-4		144-16
	480-46		474-57-5		145-16
	481-46		475-57-5		146-16
	474-47		476-57-5		147-16
	475-47		477-57-5		148-16
	476-47		478-57-5		149-16
	477-47		479-57-5		150-16
67297-95600	478-47	67320-93J60	480-57-5	67341-88L01	151-16
	479-47		481-57-5		152-16
	480-47		474-57-6		135-18
	481-47		475-57-6		136-18
	474-48		476-57-6		137-18
	475-48		477-57-6		138-18
	476-48		478-57-6		139-18
	477-48		479-57-6		140-18
	478-48		480-57-6		141-18
	479-48		481-57-6		142-18
67320-93J00	480-48	67320-93J70	474-57-7	67467-89J01	143-18
	481-48		475-57-7		144-18
	474-57-1		476-57-7		145-18
	475-57-1		477-57-7		146-18
	476-57-1		478-57-7		147-18
	477-57-1		479-57-7		148-18
	478-57-1		480-57-7		149-18
	479-57-1		481-57-7		150-18
	480-57-1		474-57-8		151-18
	481-57-1		475-57-8		152-18
67320-93J10	474-57-2	67320-93J80	476-57-8	67320-93J20	399-7
	475-57-2		477-57-8		400-8
	476-57-2		478-57-8		401-8
	477-57-2		479-57-8		402-7
	478-57-2		480-57-8		403-7
	479-57-2		481-57-8		404-8
	480-57-2		474-57-9		405-7
	481-57-2		475-57-9		406-7
	474-57-3		476-57-9		407-8
	475-57-3		477-57-9		408-8
67320-93J20	476-57-3	67341-88L01	478-57-9		409-8
	477-57-3		479-57-9		410-8
	478-57-3		480-57-9		411-7
	479-57-3		481-57-9		412-8
	480-57-3		135-16		413-7

PART NO.	FIG.NO.-REF.NO.	PART NO.	FIG.NO.-REF.NO.	PART NO.	FIG.NO.-REF.NO.
	414-7	67725-99E00	399-4		413-6
	415-8		400-5		414-6
	416-8		401-5		415-7
67500-93J00	482-1		402-4		416-7
67700-93J00	400-1		403-4	68110-88L00	370-19
	401-1		404-5		371-19
	404-1		405-4		372-19
	407-1		406-4		373-19
	408-1		407-5		374-19
	409-1		408-5		375-19
	410-1		409-5		376-19
	412-1		410-5		377-19
	415-1		411-4		378-19
	416-1		412-5		379-19
67701-87J11	399-2		413-4		380-19
	400-3		414-4		381-19
	401-3		415-5		382-19
	402-2		416-5		383-19
	403-2	67726-99E00	399-5		384-19
	404-3		400-6		385-19
	405-2		401-6		386-19
	406-2		402-5		387-19
	407-3		403-5	68111-18G20	370-12
	408-3		404-6		371-12
	409-3		405-5		372-12
	410-3		406-5		373-12
	411-2		407-6		374-12
	412-3		408-6		375-12
	413-2		409-6		376-12
	414-2		410-6		377-12
	415-3		411-5		378-12
	416-3		412-6		379-12
67721-87J00	399-3		413-5		380-12
	400-4		414-5		381-12
	401-4		415-6		382-12
	402-3		416-6		383-12
	403-3	67728-99E00	399-6		384-12
	404-4		400-7		385-12
	405-3		401-7		386-12
	406-3		402-6		387-12
	407-4		403-6	68165-16B00-13L	474-49
	408-4		404-7		475-49
	409-4		405-6		476-49
	410-4		406-6		477-49
	411-3		407-7		478-49
	412-4		408-7		479-49
	413-3		409-7		480-49
	414-3		410-7		481-49
	415-4		411-6	69711-93E10	20-11
	416-4		412-7		21-11

PART NO.	FIG.NO.-REF.NO.	PART NO.	FIG.NO.-REF.NO.	PART NO.	FIG.NO.-REF.NO.
	22-11		383-20-2		2-19
	23-11		384-20-2		3-19
	24-11		385-20		4-19
	25-11		386-20-2		5-19
	26-11		387-20		6-19
	27-11				7-19
	28-11				8-19
	29-11				9-19
	30-11				10-19
	31-11				11-19
	32-11				12-19
	33-11	01421-08607	41-4		13-19
	34-11		42-4		14-19
	35-11		43-4		15-19
	36-11		44-4		16-19
	37-11		45-4		17-19
			46-4		18-19
			47-4		19-19
			48-4	01550-05107	369-23
			49-4	01550-06127	1-25
			50-4		2-25
			51-4		3-25
			52-4		4-25
			53-4		5-25
			54-4		6-25
			55-4		7-25
99011-88L30-054	370-20-1		56-4		8-25
	371-20-1		57-4		9-25
	372-20-1		58-4		10-25
	373-20	01547-06167	190-9		11-25
	374-20-1	01547-06207	191-8		12-25
	375-20-1	01547-06257	1-18		13-25
	376-20-1		2-18		14-25
	378-20-1		3-18		15-25
	380-20-1		4-18		16-25
	382-20-1		5-18		17-25
	383-20-1		6-18		18-25
	384-20-1		7-18		41-12
	386-20-1		8-18		42-12
99011-88L30-059	370-20-2		9-18		43-12
	371-20-2		10-18		44-12
	372-20-2		11-18		45-12
	374-20-2		12-18		46-12
	375-20-2		13-18		47-12
	376-20-2		14-18		48-12
	377-20		15-18		49-12
	378-20-2		16-18		50-12
	379-20		17-18		51-12
	380-20-2		18-18		52-12
	381-20	01547-0640A	133-3		53-12
	382-20-2	01547-06457	1-19		54-12

PART NO.	FIG.NO.-REF.NO.	PART NO.	FIG.NO.-REF.NO.	PART NO.	FIG.NO.-REF.NO.
	55-12		238-9		137-3
	56-12		239-9		137-17
	57-12		240-9		138-3
	58-12		241-9		138-17
	95-16		242-9		139-3
	134-17		243-9		139-17
	135-14		244-9		140-3
	136-14		245-9		140-17
	137-14	01550-0612A	39-12		141-3
	138-14	01550-06167	1-27		141-17
	139-14		2-27		142-3
	140-14		3-27		142-17
	141-14		4-27		143-3
	142-14		5-27		143-17
	143-14		6-27		144-3
	144-14		7-27		144-17
	145-14		8-27		145-3
	146-14		9-27		145-17
	147-14		10-27		146-3
	148-14		11-27		146-17
	149-14		12-27		147-3
	150-14		13-27		147-17
	151-14		14-27		148-3
	152-14		15-27		148-17
	190-11		16-27		149-3
	210-24		17-27		149-17
	211-24		18-27		150-3
	212-24		95-9		150-17
	213-24		115-4		151-3
	214-24		116-4		151-17
	215-24		117-4		152-3
	216-24		118-4		152-17
	217-24		119-4		189-20
	218-24		120-4	01550-06207	41-15
	219-24		121-4		42-15
	220-24		122-4		43-15
	221-24		123-4		44-15
	222-24		124-4		45-15
	223-24		125-4		46-15
	224-24		126-4		47-15
	225-24		127-4		48-15
	226-24		128-4		49-15
	227-24		129-4		50-15
	228-9		130-4		51-15
	230-9		131-4		52-15
	231-9		132-4		53-15
	232-9		135-3		54-15
	233-9		135-17		55-15
	234-9		136-3		56-15
	235-9		136-17		57-15

PART NO.	FIG.NO.-REF.NO.	PART NO.	FIG.NO.-REF.NO.	PART NO.	FIG.NO.-REF.NO.
	58-15		68-25		132-11
	114-7		69-25	01550-06457	115-3
01550-0620A	39-10		70-25		116-3
01550-06257	20-8		71-25		117-3
	21-8		72-25		118-3
	22-8		73-25		119-3
	23-8		74-25		120-3
	24-8		75-25		121-3
	25-8		76-25		122-3
	26-8		135-4		123-3
	27-8		136-4		124-3
	28-8		137-4		125-3
	29-8		138-4		126-3
	30-8		139-4		127-3
	31-8		140-4		128-3
	32-8		141-4		129-3
	33-8		142-4		130-3
	34-8		143-4		131-3
	35-8		144-4		132-3
	36-8		145-4	01550-08207	1-9
	37-8		146-4		2-9
	95-2		147-4		3-9
	191-2		148-4		4-9
01550-06307	20-2		149-4		5-9
	21-2		150-4		6-9
	22-2		151-4		7-9
	23-2		152-4		8-9
	24-2		363-32		9-9
	25-2		364-32		10-9
	26-2		365-32		11-9
	27-2		366-32		12-9
	28-2		367-32		13-9
	29-2		368-32		14-9
	30-2	01550-06407	115-11		15-9
	31-2		116-11		16-9
	32-2		117-11		17-9
	33-2		118-11		18-9
	34-2		119-11		19-2
	35-2		120-11		115-5
	36-2		121-11		116-5
	37-2		122-11		117-5
	59-25		123-11		118-5
	60-25		124-11		119-5
	61-25		125-11		120-5
	62-25		126-11		121-5
	63-25		127-11		122-5
	64-25		128-11		123-5
	65-25		129-11		124-5
	66-25		130-11		125-5
	67-25		131-11		126-5

PART NO.	FIG.NO.-REF.NO.	PART NO.	FIG.NO.-REF.NO.	PART NO.	FIG.NO.-REF.NO.
	127-5		47-6		317-5
	128-5		48-6		318-5
	129-5		49-6		319-5
	130-5		50-6		320-5
	131-5		51-6		321-5
01550-0825A	132-5		52-6		322-5
	315-10		53-6		323-5
	316-10		54-6		324-5
	317-10		55-6		325-5
	318-10		56-6		326-5
	319-10		57-6		327-5
	320-10	01550-08457	58-6		328-5
	321-10		1-12		329-5
	322-10		2-12		330-5
	323-10		3-12		331-5
	324-10		4-12		332-5
	325-10		5-12	01570-06167	135-20
	326-10		6-12		136-20
	327-10		7-12		137-20
	328-10		8-12		138-20
	329-10		9-12		139-20
	330-10		10-12		140-20
	331-10		11-12		141-20
01550-08307	332-10		12-12		142-20
	41-5		13-12		143-20
	42-5		14-12		144-20
	43-5		15-12		145-20
	44-5		16-12		146-20
	45-5		17-12		147-20
	46-5		18-12		148-20
	47-5	01550-0845A	315-4		149-20
	48-5		316-4		150-20
	49-5		317-4		151-20
	50-5		318-4		152-20
	51-5		319-4	01570-0616A	133-7
	52-5		320-4	02112-0408A	59-15
	53-5		321-4		60-15
	54-5		322-4		61-15
	55-5		323-4		62-15
	56-5		324-4		63-15
	57-5		325-4		64-15
	58-5		326-4		65-15
01550-08407	189-21		327-4		67-15
	19-6		328-4		69-15
	41-6		329-4		71-15
	42-6		330-4		72-15
	43-6		331-4		73-15
	44-6		332-4		75-15
	45-6	01550-0885A	315-5	02112-06307	190-12
	46-6		316-5	02112-34167	41-9

PART NO.	FIG.NO.-REF.NO.	PART NO.	FIG.NO.-REF.NO.	PART NO.	FIG.NO.-REF.NO.
	42-9		432-24		487-76
	43-9		433-26		488-76
	44-9		434-26		489-76
	45-9		435-24		490-76
	46-9		436-26	03542-05169	369-12
	47-9		437-26	03542-06169	370-5
	48-9		438-24		371-5
	49-9		439-24		372-5
	50-9		440-24		373-5
	51-9		441-24		374-5
	52-9		442-26		375-5
	53-9		443-24		376-5
	54-9		444-26		377-5
	55-9		445-26		378-5
	56-9		446-24		379-5
	57-9		447-24		380-5
02142-0408B	58-9	03121-0516A	466-24		381-5
	59-16		467-24		382-5
	60-16		468-24		383-5
	61-16		469-24		384-5
	62-16		470-24		385-5
	63-16		471-24		386-5
	64-16		472-24	03542-06209	387-5
	65-16		473-24		20-4
	67-16	03142-04309	96-17		21-4
	69-16		97-17		22-4
	71-16		98-17		23-4
	72-16		99-17		24-4
	73-16		100-17		25-4
	75-16		101-17		26-4
02142-0612A	1-21		102-17		27-4
	2-21		103-17		28-4
	3-21		104-17		29-4
	4-21		105-17		30-4
	5-21		106-17		31-4
	6-21		107-17		32-4
	7-21	03522-05169	388-61		33-4
	8-21		389-62		34-4
	9-21		390-62		35-4
	10-21		391-61		36-4
	11-21		392-61		37-4
	12-21		393-62	04211-09109	133-4
	13-21		394-62	04211-13189	1-13
	14-21		395-62		2-13
	15-21		396-62		3-13
	16-21		397-62		4-13
	17-21		483-75		5-13
	18-21		484-76		6-13
03112-06303	430-26		485-75		7-13
	431-24		486-76		8-13

PART NO.	FIG.NO.-REF.NO.	PART NO.	FIG.NO.-REF.NO.	PART NO.	FIG.NO.-REF.NO.
	9-13		185-24		181-10-4
	10-13		186-24		182-10-4
	11-13		187-24	08310-00067	210-17
	12-13		188-24		211-17
	13-13	08211-20263	171-12		212-17
	14-13		172-12		213-17
	15-13		173-12		214-17
	16-13		174-12		215-17
	17-13		175-12		216-17
	18-13		176-12		217-17
04221-04089	20-9		177-12		218-17
	21-9		178-12		219-17
	22-9		179-12		220-17
	23-9		180-12		221-17
	24-9		181-12		222-17
	25-9		182-12		223-17
	26-9	08211-35451	171-10-6		224-17
	27-9		172-10-6		225-17
	28-9		173-10-6		226-17
	29-9		174-10-6		227-17
	30-9		175-10-6	08316-10087	41-7
	31-9		176-10-6		42-7
	32-9		177-10-6		43-7
	33-9		178-10-6		44-7
	34-9		179-10-6		45-7
	35-9		180-10-6		46-7
	36-9		181-10-6		47-7
	37-9		182-10-6		48-7
	38-7	08221-35455	171-10-1		49-7
04221-05109	40-6		172-10-1		50-7
07120-06357	77-5		173-10-1		51-7
	78-5		174-10-1		52-7
	79-5		175-10-1		53-7
	80-5		176-10-1		54-7
	81-5		177-10-1		55-7
	82-5		178-10-1		56-7
	83-5		179-10-1		57-7
	84-5		180-10-1		58-7
	85-5		181-10-1		210-2
	86-5		182-10-1		211-2
	87-5	08221-35456	171-10-4		212-2
	88-5		172-10-4		213-2
	89-5		173-10-4		214-2
	90-5		174-10-4		215-2
	91-5		175-10-4		216-2
	92-5		176-10-4		217-2
	93-5		177-10-4		218-2
	94-5		178-10-4		219-2
08113-62090	183-24		179-10-4		220-2
	184-24		180-10-4		221-2

PART NO.	FIG.NO.-REF.NO.	PART NO.	FIG.NO.-REF.NO.	PART NO.	FIG.NO.-REF.NO.
	222-2		368-8		197-5
	223-2	09100-08232	474-50		198-9
	224-2		475-50		199-9
	225-2		476-50		202-9
	226-2		477-50		203-9
	227-2		478-50		204-9
08321-01067	210-18		479-50		205-9
	211-18		480-50		206-9
	212-18		481-50		207-9
	213-18	09100-08260	39-5		208-9
	214-18	09100-12091	246-9-2		209-9
	215-18		247-9-2	09103-06266	1-3
	216-18		248-9-2		2-3
	217-18		249-8-2		3-3
	218-18		250-9-2		4-3
	219-18		251-9-2		5-3
	220-18		252-8-2		6-3
	221-18		253-8-2		7-3
	222-18		254-9-2		8-3
	223-18		255-9-2		9-3
	224-18		256-8-2		10-3
	225-18		257-8-2		11-3
	226-18		258-8-2		12-3
	227-18		259-8-2		13-3
08331-3115A	153-12		260-8-2		14-3
	154-12		261-8-2		15-3
	155-12		262-8-2		16-3
	156-12		263-8-2		17-3
	157-12	09100-12093	246-9-1		18-3
	158-12		247-9-1	09103-06281	1-8
	159-12		248-9-1		2-8
	160-12		249-8-1		3-8
	161-12		250-9-1		4-8
	162-12		251-9-1		5-8
	163-12		252-8-1		6-8
	164-12		253-8-1		7-8
08331-41309	165-20		254-9-1		8-8
	166-20		255-9-1		9-8
	167-20		256-8-1		10-8
	168-20		257-8-1		11-8
	169-20		258-8-1		12-8
	170-20		259-8-1		13-8
09100-06113	282-10		260-8-1		14-8
	283-10		261-8-1		15-8
	284-10		262-8-1		16-8
09100-06131	363-8		263-8-1		17-8
	364-8	09103-06093	192-5		18-8
	365-8		194-5		19-9
	366-8		195-9		258-13
	367-8		196-5		259-13

PART NO.	FIG.NO.-REF.NO.	PART NO.	FIG.NO.-REF.NO.	PART NO.	FIG.NO.-REF.NO.
	260-13		104-7		107-15
	261-13		105-7		108-14
	262-13		106-7		109-14
	263-13		107-7		110-14
	282-12	09108-06144	96-8		112-14
	283-12		97-8		246-8
	284-12		98-8		247-8
	285-27		99-8		248-8
	286-27		100-8		250-8
	287-27		101-8		251-8
	288-27		102-8		254-8
	289-27		103-8		255-8
	290-27		104-8		264-23
	291-27		105-8		265-19
	292-27		106-8		266-19
	293-27		107-8		268-23
	294-25	09108-08254	339-8		269-19
	295-25		340-8		272-19
	296-25		341-8		273-19
	297-25		342-8	09116-06237	265-30
	298-25		343-8		266-30
	299-25		344-8		269-30
	345-12	09108-10161	264-12		272-30
	346-12		267-20		273-30
	347-13		268-12		393-80
	348-13		270-20		394-80
	349-13		271-20		395-80
09103-10189	350-13		276-20		396-80
09103-14024	40-4		278-20		397-80
09106-05030	190-2		279-20		483-80
09106-10065	190-7	09116-06121	114-3		484-81
	249-14		134-8		485-80
	252-14		249-13		486-81
	253-14		252-13		487-81
	256-14		253-13		488-81
	257-14		256-13		489-81
	258-14		257-13		490-81
	259-14	09116-06127	369-15	09116-08122	171-25
	260-14	09116-06202	191-4		172-25
	261-14	09116-06236	96-15		173-25
	262-14		97-15		174-25
	263-14		98-15		175-25
09108-06143	96-7		99-15		176-25
	97-7		100-15		177-25
	98-7		101-15		178-25
	99-7		102-15		179-25
	100-7		103-15		180-25
	101-7		104-15		181-25
	102-7		105-15		182-25
	103-7		106-15		183-26

PART NO.	FIG.NO.-REF.NO.	PART NO.	FIG.NO.-REF.NO.	PART NO.	FIG.NO.-REF.NO.
	184-26		397-65		483-68
	185-26		483-61		484-68
	186-26		484-61		485-68
	187-26		485-61		486-68
	188-26		486-61		487-68
09116-08128	134-3		487-61		488-68
09116-08131	345-8		488-61		489-68
	346-8		489-61		490-68
	347-8		490-61	09116-10176	315-13
	348-8	09116-08159	315-3		316-13
	349-8		316-3		317-13
	350-8		317-3		318-13
	351-8		318-3		319-13
	352-8		319-3		320-13
	353-8		320-3		321-13
	354-8		321-3		322-13
	355-8		322-3		323-13
	356-8		323-3		324-13
	357-8		324-3		325-13
	358-8		325-3		326-13
	359-8		326-3		327-13
	360-8		327-3		328-13
	361-8		328-3		329-13
	362-8		329-3		330-13
09116-08137	249-5		330-3		331-13
	252-5		331-3		332-13
	253-5		332-3		333-2
	256-5	09116-10124	134-13		333-6
	257-5	09116-10150	345-9		334-2
	258-5		346-9		334-6
	259-5		347-9		335-2
	260-5		348-9		335-6
	261-5		349-9		336-2
	262-5		350-9		336-6
	263-5		363-10		337-2
	363-9		364-10		337-6
	364-9		365-10		338-2
	365-9		366-10		338-6
	366-9		367-10		339-2
	367-9		368-10		339-6
	368-9		388-73		340-2
	388-64		389-73		340-6
	389-65		390-73		341-2
	390-65		391-73		341-6
	391-64		392-73		342-2
	392-64		393-73		342-6
	393-65		394-73		343-2
	394-65		395-73		343-6
	395-65		396-73		344-2
	396-65		397-73		344-6

PART NO.	FIG.NO.-REF.NO.	PART NO.	FIG.NO.-REF.NO.	PART NO.	FIG.NO.-REF.NO.
	345-2		185-30		390-42
	345-6		186-30		391-42
	346-2		187-30		392-42
	346-6		188-30		393-42
	347-2	09117-10039	363-11		394-42
	347-6		364-11		395-42
	348-2		365-11		396-42
	348-6		366-11		397-42
	349-2		367-11		483-41
	349-6		368-11		484-41
	350-2	09118-08127	369-8		485-41
09116-10179	350-6	09125-05042	474-16		486-41
	282-11		475-16		487-41
	283-11		476-16		488-41
	284-11		477-16		489-41
	285-25		478-16		490-41
	286-25		479-16	09125-05048	192-3
	287-25		480-16		194-3
	288-25		481-16		196-3
	289-25	09125-05046	96-19		197-3
	290-25		97-19	09125-05050	264-10
	291-25		98-19		265-10
	292-25		99-19		266-10
	293-25		100-19		267-10
	294-23		101-19		268-10
	295-23		102-19		269-10
	296-23		103-19		270-10
	297-23		104-19		271-10
	298-23		105-19		272-10
	299-23		106-19		273-10
09117-06031	165-8		107-19		274-10
	166-8		108-13		275-10
	167-8		109-13		276-10
	168-8		110-13		277-10
	169-8		111-13		278-10
	170-8		112-13		279-10
09117-08109	351-5		113-13		280-10
	352-5		195-3		281-10
	353-5		198-3	09125-05135	482-2
	354-5		199-3	09125-06063	264-9
	355-5		202-3		265-9
	356-5		203-3		266-9
	357-5		204-3		267-9
	358-5		205-3		267-30
	359-5		206-3		268-9
	360-5		207-3		269-9
	361-5		208-3		270-9
09117-08110	362-5	09125-05047	209-3		270-30
	183-30		388-42		271-9
	184-30		389-42		271-30

PART NO.	FIG.NO.-REF.NO.	PART NO.	FIG.NO.-REF.NO.	PART NO.	FIG.NO.-REF.NO.
	272-9		486-37		126-9
	273-9		487-37		127-9
	274-9		488-37		128-9
	274-26		489-37		129-9
	275-9		490-37		130-9
	275-26	09131-05004	466-29		131-9
	276-9		467-29		132-9
	276-30		468-29	09140-06020	482-3
	277-9		469-29		282-13
	277-26		470-29		283-13
	278-9		471-29		284-13
	278-30		472-29		474-52
	279-9		473-29		475-52
	279-30	09132-04034	108-17		476-52
	280-9		109-17		477-52
	280-26		110-17		478-52
	281-9		111-16		479-52
09125-06067	281-26		112-17		480-52
	267-13		113-16		481-52
	270-13	09136-06148	369-5-1	09140-08023-XC0	357-9
	271-13		369-5-2		358-9
	274-13	09137-04004	228-2		359-9
	275-13		229-2		360-9
	276-13		230-2		361-9
	277-13		231-2		362-9
	278-13		232-2	09140-12034	171-7
	279-13		233-2		172-7
	280-13		234-2		173-7
	281-13		235-2		174-7
09126-05003	474-51		236-2		175-7
	475-51		237-2		176-7
	476-51		238-2		177-7
	477-51		239-2		178-7
	478-51		240-2		179-7
	479-51		241-2		180-7
	480-51		242-2		181-7
09126-06015	481-51		243-2	09140-14024	182-7
	388-38		244-2		183-5
	389-38		245-2		184-5
	390-38	09140-05005	115-9		185-5
	391-38		116-9		186-5
	392-38		117-9		187-5
	393-38		118-9		188-5
	394-38		119-9	09141-18005	351-13
	395-38		120-9		352-13
	396-38		121-9		353-13
	397-38		122-9		354-13
	483-37		123-9		355-13
	484-37		124-9		356-13
	485-37		125-9		357-15

PART NO.	FIG.NO.-REF.NO.	PART NO.	FIG.NO.-REF.NO.	PART NO.	FIG.NO.-REF.NO.
	358-15		279-21		346-19
	359-15	09159-12014	246-10		347-20
	360-15		247-10		348-20
	361-15		248-10		349-20
	362-15		249-9		350-20
	363-23		250-10		388-65
	364-23		251-10		389-66
	365-23		252-9		390-66
	366-23		253-9		391-65
	367-23		254-10		392-65
09159-06084	368-23		255-10		393-66
	370-8		256-9		394-66
	371-8		257-9		395-66
	372-8		258-9		396-66
	373-8		259-9		397-66
	374-8		260-9		483-62
	375-8		261-9		484-62
	376-8		262-9		485-62
	377-8		263-9		486-62
	378-8		315-21		487-62
	379-8		316-21		488-62
	380-8		317-21		489-62
	381-8		318-21	09159-22006	490-62
	382-8		319-21		246-11
	383-8		320-21		247-11
	384-8		321-21		248-11
	385-8		322-21		249-6
	386-8		323-21		250-11
09159-08059	387-8		324-21		251-11
	265-31		325-21		252-6
	266-31		326-21		253-6
	269-31		327-21		254-11
	272-31		328-21		255-11
	273-31		329-21		256-6
	483-90		330-21		257-6
09159-10050	485-90		331-21		258-6
	246-14		332-21		259-6
	247-14		333-13		260-6
	248-14		334-13		261-6
	250-14		335-13		262-6
	251-14		336-13		263-6
	254-14		337-13	09160-05029	192-4
	255-14		338-13		194-4
	264-13		339-17		196-4
	267-21		340-17		197-4
	268-13		341-17		482-4
	270-21		342-17	09160-06047	115-10
	271-21		343-17		116-10
	276-21		344-17		117-10
	278-21		345-19		118-10

PART NO.	FIG.NO.-REF.NO.	PART NO.	FIG.NO.-REF.NO.	PART NO.	FIG.NO.-REF.NO.
	119-10	09160-06084	59-27		170-10
	120-10		60-27	09160-09015	165-9
	121-10		61-27		166-9
	122-10		62-27		167-9
	123-10		63-27		168-9
	124-10		64-27		169-9
	125-10		65-27	09160-10082	170-9
	126-10		66-27		246-15
	127-10		67-27		247-15
	128-10		68-27		248-15
	129-10		69-27		249-15
	130-10		70-27		250-15
	131-10		71-27		251-15
	132-10		72-27		252-15
09160-06055	135-10		73-27		253-15
	136-10		74-27		254-15
	137-10		75-27		255-15
	138-10		76-27		256-15
	139-10	09160-06085	363-12		257-15
	140-10		364-12		258-15
	141-10		365-12		259-15
	142-10		366-12		260-15
	143-10		367-12		261-15
	144-10		368-12		262-15
	145-10	09160-06104	474-53		263-15
	146-10		475-53	09160-10093	40-5
	147-10		476-53	09160-10139	285-28
	148-10		477-53		286-28
	149-10		478-53		288-28
	150-10		479-53		289-28
	151-10		480-53	09160-10141	264-14
	152-10		481-53		267-22
	399-9	09160-08082	357-10		268-14
	400-10		358-10		270-22
	401-10		359-10		271-22
	402-9		360-10		276-22
	403-9		361-10		278-22
	404-10		362-10		279-22
	405-9	09160-08122	165-11	09160-12044	246-12
	406-9		166-11		247-12
	407-10		167-11		248-12
	408-10		168-11		249-11
	409-10		169-11		250-12
	410-10		170-11		251-12
	411-9	09160-08123	39-6		252-11
	412-10	09160-09010	165-10		253-11
	413-9		166-10		254-12
	414-9		167-10		255-12
	415-10		168-10		256-11
	416-10		169-10		257-11

PART NO.	FIG.NO.-REF.NO.	PART NO.	FIG.NO.-REF.NO.	PART NO.	FIG.NO.-REF.NO.
	258-11		247-13		172-11-2
	259-11		248-13		173-11-2
	260-11		249-10		174-11-2
	261-11		250-13		175-11-2
	262-11		251-13		176-11-2
09160-12066	263-11		252-10		177-11-2
	246-5		253-10		178-11-2
	247-5		254-13		179-11-2
	248-5		255-13		180-11-2
	250-5		256-10		181-11-2
	251-5		257-10		182-11-2
	254-5		258-10	09160-22020	171-11-3
	255-5		259-10		172-11-3
	388-66		260-10		173-11-3
	389-67		261-10		174-11-3
	390-67		262-10		175-11-3
	391-66		263-10		176-11-3
	392-66	09160-13014	369-17		177-11-3
	393-67	09160-14065	190-3		178-11-3
	394-67	09160-18028	351-15		179-11-3
	395-67		352-15		180-11-3
	396-67		353-15		181-11-3
	397-67		354-15		182-11-3
	483-63		355-15	09160-22021	171-11-4
	484-63		356-15		172-11-4
	485-63		357-17		173-11-4
	486-63		358-17		174-11-4
	487-63		359-17		175-11-4
	488-63		360-17		176-11-4
	489-63		361-17		177-11-4
09160-12124	490-63		362-17		178-11-4
	388-67		363-24		179-11-4
	389-68		364-24		180-11-4
	390-68		365-24		181-11-4
	391-67		366-24		182-11-4
	392-67		367-24	09160-22022	171-11-5
	393-68		368-24		172-11-5
	394-68	09160-22018	171-11-1		173-11-5
	395-68		172-11-1		174-11-5
	396-68		173-11-1		175-11-5
	397-68		174-11-1		176-11-5
	483-64		175-11-1		177-11-5
	484-64		176-11-1		178-11-5
	485-64		177-11-1		179-11-5
	486-64		178-11-1		180-11-5
	487-64		179-11-1		181-11-5
	488-64		180-11-1		182-11-5
	489-64		181-11-1	09160-22023	171-11-6
	490-64		182-11-1		172-11-6
09160-12126	246-13	09160-22019	171-11-2		173-11-6

PART NO.	FIG.NO.-REF.NO.	PART NO.	FIG.NO.-REF.NO.	PART NO.	FIG.NO.-REF.NO.
	174-11-6		483-91		356-7
	175-11-6		485-91		357-7
	176-11-6	09163-06001	388-39		358-7
	177-11-6		389-39		359-7
	178-11-6		390-39		360-7
	179-11-6		391-39		361-7
	180-11-6		392-39		362-7
	181-11-6		393-39		363-13
	182-11-6		394-39		364-13
09160-39002	264-17		395-39		365-13
	265-13		396-39		366-13
	266-13		397-39		367-13
	267-17		483-38		368-13
	268-17		484-38	09168-12012	134-4
	269-13		485-38	09169-06062	191-5
	270-17		486-38	09169-06075	59-26
	271-17		487-38		60-26
	272-13		488-38		61-26
	273-13		489-38		62-26
	274-17		490-38		63-26
	275-17	09164-13010	388-70		64-26
	276-17		389-70		65-26
	277-17		390-70		66-26
	278-17		391-70		67-26
	279-17		392-70		68-26
	280-17		393-70		69-26
	281-17		394-70		70-26
09160-39003	264-15		395-70		71-26
	265-11		396-70		72-26
	266-11		397-70		73-26
	267-15		483-66		74-26
	268-15		484-66		75-26
	269-11		485-66		76-26
	270-15		486-66	09169-08039	369-9
	271-15		487-66	09169-31001	183-32
	272-11		488-66		184-32
	273-11		489-66		185-32
	274-15		490-66		186-32
	275-15	09164-14008	369-18		187-32
	276-15	09164-31001	183-33		188-32
	277-15		184-33	09180-06198	77-6
	278-15		185-33		78-6
	279-15		186-33		79-6
	280-15		187-33		80-6
	281-15		188-33		81-6
09161-08011	265-32	09168-10022	351-7		82-6
	266-32		352-7		83-6
	269-32		353-7		84-6
	272-32		354-7		85-6
	273-32		355-7		86-6

PART NO.	FIG.NO.-REF.NO.	PART NO.	FIG.NO.-REF.NO.	PART NO.	FIG.NO.-REF.NO.
	87-6	09181-30186	171-9-1		173-9-5
	88-6		172-9-1		174-9-5
	89-6		173-9-1		175-9-5
	90-6		174-9-1		176-9-5
	91-6		175-9-1		177-9-5
	92-6		176-9-1		178-9-5
	93-6		177-9-1		179-9-5
	94-6		178-9-1		180-9-5
09181-25030	183-17		179-9-1		181-9-5
	184-17		180-9-1		182-9-5
	185-17		181-9-1	09181-31001	183-31
	186-17		182-9-1		184-31
	187-17	09181-30187	171-9-2		185-31
	188-17		172-9-2		186-31
09181-28015	183-10-1		173-9-2		187-31
	184-10-1		174-9-2		188-31
	185-10-1		175-9-2	09181-33001	171-8-2
	186-10-1		176-9-2		172-8-2
	187-10-1		177-9-2		173-8-2
	188-10-1		178-9-2		174-8-2
09181-28016	183-10-2		179-9-2		175-8-2
	184-10-2		180-9-2		176-8-2
	185-10-2		181-9-2		177-8-2
	186-10-2		182-9-2		178-8-2
	187-10-2	09181-30188	171-9-3		179-8-2
	188-10-2		172-9-3		180-8-2
09181-28017	183-10-3		173-9-3		181-8-2
	184-10-3		174-9-3		182-8-2
	185-10-3		175-9-3	09181-33002	171-8-3
	186-10-3		176-9-3		172-8-3
	187-10-3		177-9-3		173-8-3
	188-10-3		178-9-3		174-8-3
09181-28018	183-10-4		179-9-3		175-8-3
	184-10-4		180-9-3		176-8-3
	185-10-4		181-9-3		177-8-3
	186-10-4		182-9-3		178-8-3
	187-10-4	09181-30190	171-9-4		179-8-3
	188-10-4		172-9-4		180-8-3
09181-28019	183-10-5		173-9-4		181-8-3
	184-10-5		174-9-4		182-8-3
	185-10-5		175-9-4	09181-33003	171-8-4
	186-10-5		176-9-4		172-8-4
	187-10-5		177-9-4		173-8-4
	188-10-5		178-9-4		174-8-4
09181-28020	183-10-6		179-9-4		175-8-4
	184-10-6		180-9-4		176-8-4
	185-10-6		181-9-4		177-8-4
	186-10-6		182-9-4		178-8-4
	187-10-6	09181-30192	171-9-5		179-8-4
	188-10-6		172-9-5		180-8-4

PART NO.	FIG.NO.-REF.NO.	PART NO.	FIG.NO.-REF.NO.	PART NO.	FIG.NO.-REF.NO.
	181-8-4	09181-33008	171-8-9		173-10-2
09181-33004	182-8-4		172-8-9		174-10-2
	171-8-5		173-8-9		175-10-2
	172-8-5		174-8-9		176-10-2
	173-8-5		175-8-9		177-10-2
	174-8-5		176-8-9		178-10-2
	175-8-5		177-8-9		179-10-2
	176-8-5		178-8-9		180-10-2
	177-8-5		179-8-9		181-10-2
	178-8-5		180-8-9		182-10-2
	179-8-5		181-8-9	09181-35132	171-10-3
	180-8-5		182-8-9		172-10-3
	181-8-5	09181-33009	171-8-10		173-10-3
	182-8-5		172-8-10		174-10-3
09181-33005	171-8-6		173-8-10		175-10-3
	172-8-6		174-8-10		176-10-3
	173-8-6		175-8-10		177-10-3
	174-8-6		176-8-10		178-10-3
	175-8-6		177-8-10		179-10-3
	176-8-6		178-8-10		180-10-3
	177-8-6		179-8-10		181-10-3
	178-8-6		180-8-10		182-10-3
	179-8-6		181-8-10	09181-35136	171-10-5
	180-8-6		182-8-10		172-10-5
	181-8-6	09181-35101	171-8-1		173-10-5
	182-8-6		172-8-1		174-10-5
09181-33006	171-8-7		173-8-1		175-10-5
	172-8-7		174-8-1		176-10-5
	173-8-7		175-8-1		177-10-5
	174-8-7		176-8-1		178-10-5
	175-8-7		177-8-1		179-10-5
	176-8-7		178-8-1		180-10-5
	177-8-7		179-8-1		181-10-5
	178-8-7		180-8-1		182-10-5
	179-8-7		181-8-1	09181-40186	183-6-1
	180-8-7		182-8-1		184-6-1
	181-8-7	09181-35110	171-8-11		185-6-1
	182-8-7		172-8-11		186-6-1
09181-33007	171-8-8		173-8-11		187-6-1
	172-8-8		174-8-11		188-6-1
	173-8-8		175-8-11	09181-40190	183-6-7
	174-8-8		176-8-11		184-6-7
	175-8-8		177-8-11		185-6-7
	176-8-8		178-8-11		186-6-7
	177-8-8		179-8-11		187-6-7
	178-8-8		180-8-11		188-6-7
	179-8-8		181-8-11	09181-40195	183-6-11
	180-8-8		182-8-11		184-6-11
	181-8-8	09181-35131	171-10-2		185-6-11
	182-8-8		172-10-2		186-6-11

PART NO.	FIG.NO.-REF.NO.	PART NO.	FIG.NO.-REF.NO.	PART NO.	FIG.NO.-REF.NO.
09181-41002	187-6-11	09181-41012	183-6-12	09181-45009	185-9-6
	188-6-11		184-6-12		186-9-6
	183-6-2		185-6-12		187-9-6
	184-6-2		186-6-12		188-9-6
	185-6-2		187-6-12		183-9-7
09181-41003	186-6-2	09181-41013	188-6-12	09181-50020	184-9-7
	187-6-2		183-6-13		185-9-7
	188-6-2		184-6-13		186-9-7
	183-6-3		185-6-13		187-9-7
	184-6-3		186-6-13		188-9-7
09181-41004	185-6-3	09181-41014	187-6-13	09181-50021	183-8-1
	186-6-3		188-6-13		184-8-1
	187-6-3		183-6-14		185-8-1
	188-6-3		184-6-14		186-8-1
	183-6-4		185-6-14		187-8-1
09181-41005	184-6-4	09181-45003	186-6-14	09181-50022	188-8-1
	185-6-4		187-6-14		183-8-2
	186-6-4		188-6-14		184-8-2
	187-6-4		183-9-1		185-8-2
	188-6-4		184-9-1		186-8-2
09181-41006	183-6-5	09181-45004	185-9-1	09181-50023	187-8-2
	184-6-5		186-9-1		188-8-2
	185-6-5		187-9-1		183-8-3
	186-6-5		188-9-1		184-8-3
	187-6-5		183-9-2		185-8-3
09181-41008	188-6-5	09181-45005	184-9-2	09181-50024	186-8-3
	183-6-6		185-9-2		187-8-3
	184-6-6		186-9-2		188-8-3
	185-6-6		187-9-2		183-8-4
	186-6-6		188-9-2		184-8-4
09181-41009	187-6-6	09181-45006	183-9-3	09181-50025	185-8-4
	188-6-6		184-9-3		186-8-4
	183-6-8		185-9-3		187-8-4
	184-6-8		186-9-3		188-8-4
	185-6-8		187-9-3		183-8-5
09181-41010	186-6-8	09181-45007	188-9-3	09181-50026	184-8-5
	187-6-8		183-9-4		185-8-5
	188-6-8		184-9-4		186-8-5
	183-6-9		185-9-4		187-8-5
	184-6-9		186-9-4		188-8-5
09181-41010	185-6-9	09181-45008	187-9-4	09181-50026	183-8-6
	186-6-9		188-9-4		184-8-6
	187-6-9		183-9-5		185-8-6
	188-6-9		184-9-5		186-8-6
	183-6-10		185-9-5		187-8-6
09181-41010	184-6-10	09181-45008	186-9-5	09181-50026	188-8-6
	185-6-10		187-9-5		183-8-7
	186-6-10		188-9-5		184-8-7
	187-6-10		183-9-6		185-8-7
	188-6-10		184-9-6		186-8-7

PART NO.	FIG.NO.-REF.NO.	PART NO.	FIG.NO.-REF.NO.	PART NO.	FIG.NO.-REF.NO.
09181-50027	187-8-7	09202-06027	182-29	09202-06031	321-7
	188-8-7		171-30		321-11
	183-8-8		172-30		322-6
	184-8-8		173-30		322-7
	185-8-8		174-30		322-11
09181-50028	186-8-8	09202-06031	175-30	09202-07002	323-6
	187-8-8		176-30		323-7
	188-8-8		177-30		323-11
	183-8-9		178-30		324-6
	184-8-9		179-30		324-7
09181-50029	185-8-9	09202-06031	180-30	09202-08006	324-11
	186-8-9		181-30		325-6
	187-8-9		182-30		325-7
	188-8-9		108-15		325-11
	183-8-10		109-15		326-6
09202-04022	184-8-10	09202-05022	110-15	09202-07002	326-7
	185-8-10		111-14		326-11
	186-8-10		112-15		327-6
	187-8-10		113-14		327-7
	188-8-10		345-10		327-11
09202-05022	369-19	09202-07002	346-10	09202-08006	328-6
	171-15		347-10		328-7
	172-15		348-10		328-11
	173-15		349-10		329-6
	174-15		350-10		329-7
09202-06023	175-15	09202-08006	183-13	09202-06025	329-11
	176-15		184-13		330-6
	177-15		185-13		330-7
	178-15		186-13		330-11
	179-15		187-13		331-6
09202-06025	180-15	09202-06025	188-13	09202-06025	331-7
	181-15		315-6		331-11
	182-15		315-7		332-6
	339-9		315-11		332-7
	340-9		316-6		332-11
09202-06025	341-9	09202-06025	316-7	09202-06025	333-3
	342-9		316-11		334-3
	343-9		317-6		335-3
	344-9		317-7		336-3
	171-29		317-11		337-3
09202-06025	172-29	09202-06025	318-6	09202-06025	338-3
	173-29		318-7		339-3
	174-29		318-11		340-3
	175-29		319-6		341-3
	176-29		319-7		342-3
09202-06025	177-29	09202-06025	319-11	09202-06025	343-3
	178-29		320-6		344-3
	179-29		320-7		345-3
	180-29		320-11		346-3
	181-29		321-6		347-3

PART NO.	FIG.NO.-REF.NO.	PART NO.	FIG.NO.-REF.NO.	PART NO.	FIG.NO.-REF.NO.
	348-3		158-6		7-4
	349-3		159-6		8-4
	350-3		160-6		9-4
	363-14		161-6		10-4
	364-14		162-6		11-4
	365-14		163-6		12-4
	366-14		164-6		13-4
	367-14	09205-03012	264-25		14-4
	368-14		265-21		15-4
09204-03003	351-14		266-21		16-4
	352-14		268-25		17-4
	353-14		269-21		18-4
	354-14		272-21	09206-09012	363-31
	355-14		273-21		364-31
	356-14	09205-03019	171-4		365-31
	357-16		172-4		366-31
	358-16		173-4		367-31
	359-16		174-4		368-31
	360-16		175-4	09206-13019	19-5
	361-16		176-4	09209-12007	183-16
	362-16		177-4		184-16
	363-25		178-4		185-16
	364-25		179-4		186-16
	365-25		180-4		187-16
	366-25		181-4		188-16
	367-25		182-4	09248-10008	351-6
	368-25	09205-03021	153-7		352-6
09205-02004	153-8		154-7		353-6
	154-8		155-7		354-6
	155-8		156-7		355-6
	156-8		157-7		356-6
	157-8		158-7		357-6
	158-8		159-7		358-6
	159-8		160-7		359-6
	160-8		161-7		360-6
	161-8		162-7		361-6
	162-8		163-7		362-6
	163-8		164-7		363-15
	164-8		165-13		364-15
09205-02006	165-12		166-13		365-15
	166-12		167-13		366-15
	167-12		168-13		367-15
	168-12		169-13		368-15
	169-12		170-13	09248-12009	134-5
	170-12	09206-08001	1-4	09250-40002	229-8
09205-02013	153-6		2-4		236-8
	154-6		3-4		237-8
	155-6		4-4	09251-07003	398-12
	156-6		5-4	09260-10005	153-14
	157-6		6-4		154-14

PART NO.	FIG.NO.-REF.NO.	PART NO.	FIG.NO.-REF.NO.	PART NO.	FIG.NO.-REF.NO.
	155-14		175-21	09265-30004	351-3
	156-14		176-21		352-3
	157-14		177-21		353-3
	158-14		178-21		354-3
	159-14		179-21		355-3
	160-14		180-21		356-3
	161-14		181-21		357-3
	162-14		182-21		358-3
	163-14	09263-22039	351-2		359-3
	164-14		352-2		360-3
	165-14		353-2		361-3
	166-14		354-2		362-3
	167-14		355-2	09265-50003	183-7
	168-14		356-2		184-7
	169-14		357-2		185-7
	170-14		358-2		186-7
09260-10006	388-55		359-2		187-7
	389-56		360-2		188-7
	390-56		361-2	09280-08005	153-3
	391-55		362-2		154-3
	392-55	09263-28016	363-2		155-3
	393-56		364-2		156-3
	394-56		365-2		157-3
	395-56		366-2		158-3
	396-56		367-2		159-3
	397-56		368-2		160-3
	483-55	09263-28047	183-21		161-3
	484-55		184-21		162-3
	485-55		185-21		163-3
	486-55		186-21		164-3
	487-55		187-21	09280-08008	165-15
	488-55		188-21		166-15
	489-55	09265-20015	171-5		167-15
	490-55		172-5		168-15
09262-35070	171-23		173-5		169-15
	172-23		174-5		170-15
	173-23		175-5	09280-09008	134-16
	174-23		176-5	09280-11001	153-4
	175-23		177-5		154-4
	176-23		178-5		155-4
	177-23		179-5		156-4
	178-23		180-5		157-4
	179-23		181-5		158-4
	180-23		182-5		159-4
	181-23	09265-25046	183-3		160-4
	182-23		184-3		161-4
09263-22020	171-21		185-3		162-4
	172-21		186-3		163-4
	173-21		187-3		164-4
	174-21		188-3	09280-12008	133-6

PART NO.	FIG.NO.-REF.NO.	PART NO.	FIG.NO.-REF.NO.	PART NO.	FIG.NO.-REF.NO.
09280-15003	165-16	09280-69001	165-17		329-16
	166-16		166-17		330-16
	167-16		167-17		331-16
	168-16		168-17		332-16
	169-16		169-17		183-29
	170-16		170-17	09282-22007	184-29
09280-22019	1-6	09280-75001	171-24		185-29
	2-6		172-24		186-29
	3-6		173-24		187-29
	4-6		174-24		188-29
	5-6		175-24	09282-28002	183-23
	6-6		176-24		184-23
	7-6		177-24		185-23
	8-6		178-24		186-23
	9-6		179-24		187-23
	10-6		180-24		188-23
	11-6		181-24	09282-39001	264-16
	12-6		182-24		265-12
	13-6	09280-97001	183-22		266-12
	14-6		184-22		267-16
	15-6		185-22		268-16
	16-6		186-22		269-12
	17-6		187-22		270-16
	18-6		188-22		271-16
09280-26005	95-3	09282-17005	171-27		272-12
09280-26006	1-15		172-27		273-12
	2-15		173-27		274-16
	3-15		174-27		275-16
	4-15		175-27		276-16
	5-15		176-27		277-16
	6-15		177-27		278-16
	7-15		178-27		279-16
	8-15		179-27		280-16
	9-15		180-27		281-16
	10-15		181-27	09283-37005	38-11
	11-15	09282-17011	182-27	09284-08003	165-18
	12-15		315-16		166-18
	13-15		316-16		167-18
	14-15		317-16		168-18
	15-15		318-16		169-18
	16-15		319-16		170-18
	17-15		320-16	09289-05012	40-15
	18-15		321-16	09289-22007	171-22
	114-4		322-16		172-22
09280-46004	183-28		323-16		173-22
	184-28		324-16		174-22
	185-28		325-16		175-22
	186-28		326-16		176-22
	187-28		327-16		177-22
	188-28		328-16		178-22

PART NO.	FIG.NO.-REF.NO.	PART NO.	FIG.NO.-REF.NO.	PART NO.	FIG.NO.-REF.NO.
	179-22		68-32		61-29
	180-22		69-32		62-29
	181-22		70-32		63-29
	182-22		71-32		64-29
09306-13007	369-20		72-32		65-29
09320-08021	210-6		73-32		66-29
	211-6		74-32		67-29
	212-6		75-32		68-29
	213-6		76-32		69-29
	214-6	09320-09016	191-6		70-29
	215-6	09320-09039	59-28		71-29
	216-6		60-28		72-29
	217-6		61-28		73-29
	218-6		62-28		74-29
	219-6		63-28		75-29
	220-6		64-28		76-29
	221-6		65-28	09352-50901-600	369-21
	222-6		66-28	09352-50903-600	114-12
	223-6		67-28		425-2
	224-6		68-28		425-3
	225-6		69-28		426-2
	226-6		70-28		426-3
09320-08062	227-6		71-28		427-2
	77-3		72-28		427-3
	78-3		73-28		428-2
	79-3		74-28		428-3
	80-3		75-28		429-2
	81-3		76-28		429-3
	82-3	09320-09501	20-3	09352-70103-600	135-19
	83-3		21-3		136-19
	84-3		22-3		137-19
	85-3		23-3		138-19
	86-3		24-3		139-19
	87-3		25-3		140-19
	88-3		26-3		141-19
	89-3		27-3		142-19
	90-3		28-3		143-19
	91-3		29-3		144-19
	92-3		30-3		145-19
	93-3		31-3		146-19
	94-3		32-3		147-19
09320-08076	59-32		33-3		148-19
	60-32		34-3		149-19
	61-32		35-3		150-19
	62-32		36-3		151-19
	63-32		37-3		152-19
	64-32	09320-11013	369-10	09355-40805-600	363-16
	65-32	09343-70503-080	95-12		364-16
	66-32	09352-50823-00B	59-29		365-16
	67-32		60-29		366-16

PART NO.	FIG.NO.-REF.NO.	PART NO.	FIG.NO.-REF.NO.	PART NO.	FIG.NO.-REF.NO.
	367-16		281-18		65-30
	368-16	09381-18002	38-4		66-30
09359-50901-980	114-13	09385-06012	135-11		67-30
09362-09008	363-17		136-11		68-30
	364-17		137-11		69-30
	365-17		138-11		70-30
	366-17		139-11		71-30
	367-17		140-11		72-30
	368-17		141-11		73-30
09367-06006	425-4		142-11		74-30
	426-4		143-11		75-30
	427-4		144-11		76-30
	428-4		145-11	09401-08413	114-14
	429-4		146-11		425-5
09367-08001	398-13		147-11		426-5
09380-12002	282-14		148-11		427-5
	283-14		149-11		428-5
	284-14		150-11		429-5
	285-24		151-11	09401-10412	114-15
	286-24		152-11	09401-11423	95-6
	287-24		399-8		95-18
	288-24		400-9		398-14
	289-24		401-9	09401-11425	77-8
	290-24		402-8		78-8
	291-24		403-8		79-8
	292-24		404-9		80-8
	293-24		405-8		81-8
	294-22		406-8		82-8
	295-22		407-9		83-8
	296-22		408-9		84-8
	297-22		409-9		85-8
	298-22		410-9		86-8
	299-22		411-8		87-8
09380-38003	264-18		412-9		88-8
	265-14		413-8		89-8
	266-14		414-8		90-8
	267-18		415-9		91-8
	268-18		416-9		92-8
	269-14	09387-52001	183-25		93-8
	270-18		184-25		94-8
	271-18		185-25	09401-15414	1-23
	272-14		186-25		2-23
	273-14		187-25		3-23
	274-18		188-25		4-23
	275-18	09401-08412	59-30		5-23
	276-18		60-30		6-23
	277-18		61-30		7-23
	278-18		62-30		8-23
	279-18		63-30		9-23
	280-18		64-30		10-23

PART NO.	FIG.NO.-REF.NO.	PART NO.	FIG.NO.-REF.NO.	PART NO.	FIG.NO.-REF.NO.
	11-23		14-24		215-19
	12-23		15-24		216-19
	13-23		16-24		217-19
	14-23		17-24		218-19
	15-23		18-24		219-19
	16-23	09407-08401	466-8		220-19
	17-23		466-26		221-19
	18-23		467-8		222-19
09401-25406	114-9		467-26		223-19
09403-07340	192-7		468-8		224-19
	194-7		468-26		225-19
	195-13		469-8		226-19
	196-7		469-26		227-19
	197-7		470-8	09407-14407	192-9
	198-13		470-26		194-9
	199-13		471-8		195-16
	202-13		471-26		196-9
	203-13		472-8		197-9
	204-13		472-26		198-16
	205-13		473-8		199-16
	206-13		473-26		202-16
	207-13	09407-10404	228-5		203-16
	208-13		229-4		204-16
	209-13		230-5		205-16
09403-11320	95-17		231-5		206-16
09403-11321	195-14		232-5		207-16
	198-14		233-5		208-16
	199-14		234-5		209-16
	202-14		235-5		210-20
	203-14		236-4		211-20
	204-14		237-4		212-20
	205-14		238-5		213-20
	206-14		239-5		214-20
	207-14		240-5		215-20
	208-14		241-5		216-20
	209-14		242-5		217-20
09403-13408	190-10		243-5		218-20
09403-17303	1-24		244-5		219-20
	2-24		245-5		220-20
	3-24		363-18		221-20
	4-24		364-18		222-20
	5-24		365-18		223-20
	6-24		366-18		224-20
	7-24		367-18		225-20
	8-24		368-18		226-20
	9-24	09407-14403	210-19		227-20
	10-24		211-19		430-6
	11-24		212-19		430-18
	12-24		213-19		431-6
	13-24		214-19		431-18

PART NO.	FIG.NO.-REF.NO.	PART NO.	FIG.NO.-REF.NO.	PART NO.	FIG.NO.-REF.NO.
	432-6	09407-25402	369-25		67-35
	432-18		425-7		68-35
	433-6		426-7		69-35
	433-18		427-7		70-35
	434-6		428-7		71-35
	434-18		429-7		72-35
	435-6	09408-00043	59-33		73-35
	435-18		60-33		74-35
	436-6		61-33		75-35
	436-18		62-33		76-35
	437-6		63-33		95-19
	437-18		64-33	09408-00174	77-9
	438-6		65-33		78-9
	438-18		66-33		79-9
	439-6		67-33		80-9
	439-18		68-33		81-9
	440-6		69-33		82-9
	440-18		70-33		83-9
	441-6		71-33		84-9
	441-18		72-33		85-9
	442-6		73-33		86-9
	442-18		74-33		87-9
	443-6		75-33		88-9
	443-18		76-33		89-9
	444-6	09408-00121	59-34		90-9
	444-18		60-34		91-9
	445-6		61-34		92-9
	445-18		62-34		93-9
	446-6		63-34		94-9
	446-18		64-34	09408-00175	114-16
	447-6		65-34	09408-00184	228-6
	447-18		66-34		229-5
09407-18402	210-25		67-34		230-6
	211-25		68-34		231-6
	212-25		69-34		232-6
	213-25		70-34		233-6
	214-25		71-34		234-6
	215-25		72-34		235-6
	216-25		73-34		236-5
	217-25		74-34		237-5
	218-25		75-34		238-6
	219-25		76-34		239-6
	220-25	09408-00145	59-35		240-6
	221-25		60-35		241-6
	222-25		61-35		242-6
	223-25		62-35		243-6
	224-25		63-35		244-6
	225-25		64-35		245-6
	226-25		65-35	09409-05312-6GS	398-15
	227-25		66-35	09420-04006	96-20

PART NO.	FIG.NO.-REF.NO.	PART NO.	FIG.NO.-REF.NO.	PART NO.	FIG.NO.-REF.NO.
	97-20		161-15		181-18
	98-20		162-15		182-18
	99-20		163-15	09440-49004	183-18
	100-20		164-15		184-18
	101-20	09440-08043	171-17		185-18
	102-20		172-17		186-18
	103-20		173-17		187-18
	104-20		174-17		188-18
	105-20		175-17	09443-10043	267-31
	106-20		176-17		270-31
	107-20		177-17		271-31
09420-04008	190-4		178-17		274-27
09420-04009	108-16		179-17		275-27
	109-16		180-17		276-31
	110-16		181-17		277-27
	111-15		182-17		278-31
	112-16	09440-11020	183-15		279-31
	113-15		184-15		280-27
09440-06037	388-60		185-15		281-27
	389-61		186-15	09471-12028	430-4
	390-61		187-15		431-4
	391-60		188-15		432-4
	392-60	09440-12027	388-40		433-4
	393-61		389-40		434-4
	394-61		390-40		435-4
	395-61		391-40		436-4
	396-61		392-40		437-4
	397-61		393-40		438-4
	483-74		394-40		439-4
	484-75		395-40		440-4
	485-74		396-40		441-4
	486-75		397-40		442-4
	487-75		483-39		443-4
	488-75		484-39		444-4
	489-75		485-39		445-4
	490-75		486-39		446-4
09440-07033	165-19		487-39		447-4
	166-19		488-39	09471-12077	417-5
	167-19		489-39		418-5
	168-19		490-39		419-5
	169-19	09440-40002	171-18		420-5
	170-19		172-18		421-7
09440-07078	153-15		173-18		422-5
	154-15		174-18		423-5
	155-15		175-18		424-7
	156-15		176-18		430-22
	157-15		177-18		430-24
	158-15		178-18		431-22
	159-15		179-18		432-22
	160-15		180-18		433-22

PART NO.	FIG.NO.-REF.NO.	PART NO.	FIG.NO.-REF.NO.	PART NO.	FIG.NO.-REF.NO.
	433-24		433-19		443-19
	434-22		434-2		444-2
	434-24		434-9		444-9
	435-22		434-13		444-13
	436-22		434-15		444-15
	436-24		434-19		444-19
	437-22		435-2		445-2
	437-24		435-9		445-9
	438-22		435-13		445-13
	439-22		435-15		445-15
	440-22		435-19		445-19
	441-22		436-2		446-2
	442-22		436-9		446-9
	442-24		436-13		446-13
	443-22		436-15		446-15
	444-22		436-19		446-19
	444-24		437-2		447-2
	445-22		437-9		447-9
	445-24		437-13		447-13
	446-22		437-15		447-15
	447-22		437-19		447-19
09471-12103	417-2		438-2	09481-05501	430-35
	418-2		438-9		430-37
	419-2		438-13		431-33
	420-2		438-15		431-35
	421-2		438-19		432-33
	421-4		439-2		432-35
	422-2		439-9		433-35
	423-2		439-13		433-37
	424-2		439-15		434-35
	424-4		439-19		434-37
	430-2		440-2		435-33
	430-9		440-9		435-35
	430-13		440-13		436-35
	430-15		440-15		436-37
	430-19		440-19		437-35
	431-2		441-2		437-37
	431-9		441-9		438-33
	431-13		441-13		438-35
	431-15		441-15		439-33
	431-19		441-19		439-35
	432-2		442-2		440-33
	432-9		442-9		440-35
	432-13		442-13		441-33
	432-15		442-15		441-35
	432-19		442-19		442-35
	433-2		443-2		442-37
	433-9		443-9		443-33
	433-13		443-13		443-35
	433-15		443-15		444-35

PART NO.	FIG.NO.-REF.NO.	PART NO.	FIG.NO.-REF.NO.	PART NO.	FIG.NO.-REF.NO.
	444-37		227-12		14-28
	445-35	09481-30401	210-14		15-28
	445-37		211-14		16-28
	446-33		212-14		17-28
	446-35		213-14		18-28
	447-33		214-14	09800-81812	370-17
	447-35		215-14		371-17
09481-10501	448-5		216-14		372-17
	449-3		217-14		373-17
	450-3		218-14		374-17
	451-5		219-14		375-17
	452-5		220-14		376-17
	453-3		221-14		377-17
	454-5		222-14		378-17
	455-5		223-14		379-17
	456-3		224-14		380-17
	457-3		225-14		381-17
	458-3		226-14		382-17
	459-3		227-14		383-17
	460-5	09481-30501	210-13		384-17
	461-3		211-13		385-17
	462-5		212-13		386-17
	463-5		213-13		387-17
	464-3		214-13		
	465-3		215-13		
	474-56		216-13		
	475-56		217-13		
	476-56		218-13		
	477-56		219-13		
	478-56		220-13		
	479-56		221-13		
	480-56		222-13		
	481-56		223-13		
09481-15501	210-12		224-13		
	211-12		225-13		
	212-12		226-13		
	213-12		227-13		
	214-12	09482-00446	1-28		
	215-12		2-28		
	216-12		3-28		
	217-12		4-28		
	218-12		5-28		
	219-12		6-28		
	220-12		7-28		
	221-12		8-28		
	222-12		9-28		
	223-12		10-28		
	224-12		11-28		
	225-12		12-28		
	226-12		13-28		

SUZUKI DF40A/50A/60A PARTS CATALOGUE

SUZUKI MOTOR CORPORATION All rights reserved

No part of this document may be reproduced or transmitted in any form or by any means, electronic or mechanical, for any purpose, without the express written permission of Suzuki Motor Corporation.

SUZUKI MOTOR CORPORATION

Technical Readiness Group, Quality Administration Department
300 Takatsuka, Minami, Hamamatsu, Japan

Reprint Prohibited

SUZUKI MOTOR CORPORATION