

БОЛЬШОЙ СКЛАД ЗАПЧАСТЕЙ В САНКТ-ПЕТЕРБУРГЕ

Для лодочных моторов Suzuki в наличии все ходовые запчасти, сервисные наборы, расходные материалы, оригинальные аксессуары, оригинальные и не оригинальные гребные винты, “ноги”, тросы для установки на лодку и многое другое.

Найдите в каталоге коды необходимых запчастей

и отправьте их список на Email: parts-katalog@yandex.ru

мы пришлём информацию о цене и наличии

Возможен самовывоз со склада в Санкт-Петербурге

или отправка EMS по России

Наш сайт: www.partskatalog.ru

Контактный телефон: +7 (981) 121-46-93

Особое внимание, обратите на модификацию двигателя. Сверьте серийный номер и скачайте «правильный» каталог запчастей. Не путайте старые моторы серии «Т» и новые серии «А».

SUZUKI

PARTS CATALOGUE

DF70A/80A/90A

DF70A

DF70ATH

DF80A

DF90A

DF90ATH



OUTBOARD MOTOR

E01/E40

2013-5

1ST EDITION

PREFACE

When it becomes necessary to replace parts on SUZUKI OUTBOARD MOTORS, always use SUZUKI GENUINE PARTS which have passed a strict inspection which guarantees quality and performance.

This parts catalogue covers the list of all service parts for SUZUKI DF70A/80A/90A production start 2013.

INSTRUCTIONS FOR QUOTING THE CATALOGUE

1. DIMENSIONS

Dimensions of the parts in this catalogue are indicated in unit millimeters.

2. ABBREVIATIONS

Abbreviations used in this catalogue are as follows:

AR	: As required	NT	: Number of teeth
ASSY	: Assembly	OPT	: Optional
E. NO.	: Engine number	OS	: Over size
F. NO.	: Frame number	STD	: Standard
D	: Diameter of material	T	: Thickness
ID	: Inside diameter	US	: Under size
OD	: Outside diameter	W	: Width
L	: Length	W/	: With
LH(PORT)	: Left hand side	L, X	: Transom type
RH(STBD)	: Right hand side	SUS	: Stainless steel
~031234	: Up to E.No. 09003F-031234	PTT	: Power trim and tilt
031234~	: From E.No. 09003F-031234		

$\frac{12}{|} \times \frac{34}{|} \times \frac{5.6}{|}$ Figures in the description column

| | | show the dimensions of parts.
ID OD T(or W, L)

→12345-56781 (Parts No.) : indicates that the parts number was changed to 12345-56781 and the new parts are interchangeable with the former ones but the former ones are not interchangeable with new ones.

←12345-56781 (Parts No.) : indicates that the former and new parts are interchangeable with each other and both are usable.

3. INNER PARTS OF ASSEMBLY

Part name with a dot (.) in front as shown in the description column indicates the component of the assembly also available individually.

4. MODIFICATION NOTICE

A parts bulletin will be sent to you on all occasions when changes in parts occur, including interchangeable modifications between new parts and old ones.

5. NOTE

5-1. There are some different parts from those of production models among spare parts for the administrative reasons and common use of them with other models.

5-2. In respect of rubber hoses and vinyl tubes, please be sure to use them by cutting off according to the length mentioned on parts catalogue or what is actually required on the vehicle.

5-3. Note that the drawings on the illustration page are for ready reference of spare parts number, not to be used as an assembly manual. When assembling, use "SUZUKI SERVICE MANUAL".

6. MODEL NAME AND ENGINE NUMBER

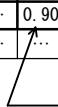
MODEL	DESTINATION	TYPE	TRANSOM	ENGINE No.
DF70AT	E01, E40	07003F	L, X	07003F-410001 ~
DF70ATH	E01, E40	07003F	L, X	07003F-410001 ~
DF80AT	E01, E40	08002F	L, X	08002F-410001 ~
DF90AT	E01, E40	09003F	L, X	09003F-410001 ~
DF90ATH	E01, E40	09003F	L, X	09003F-410001 ~

MILLIMETER → INCH CONVERSION CHART

	0	1	2	3	4	5	6	7	8	9
00	.000	.039	.079	.118	.157	.197	.236	.276	.315	.354
10	.394	.433	.472	.512	.551	.591	.630	.669	.709	.748
20	.787	.827	.866	.906	.945	.984	1.024	1.063	1.102	1.142
30	1.181	1.220	1.260	1.299	1.339	1.378	1.417	1.457	1.496	1.535
40	1.575	1.614	1.654	1.693	1.732	1.772	1.811	1.850	1.890	1.929
50	1.969	2.008	2.047	2.087	2.126	2.165	2.205	2.214	2.283	2.323
60	2.362	2.402	2.441	2.480	2.520	2.559	2.598	2.638	2.677	2.717
70	2.756	2.795	2.835	2.874	2.913	2.953	2.992	3.031	3.071	3.110
80	3.150	3.189	3.228	3.268	3.307	3.346	3.386	3.425	3.465	3.504
90	3.543	3.583	3.622	3.661	3.701	3.740	3.780	3.819	3.858	3.898

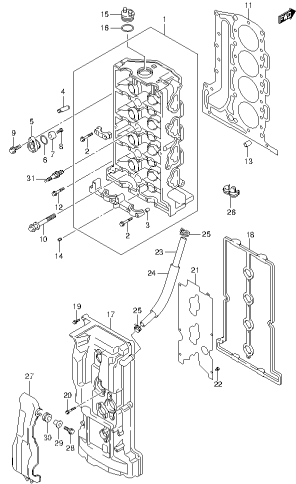
How to read

	0	1	2	3	4
00
10
20	0.906	...
30


 23 millimeters equal 0.906 inch

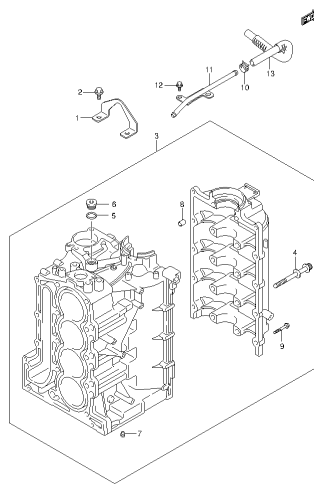
Contents are subject to change without notice or obligation.

FIG.1



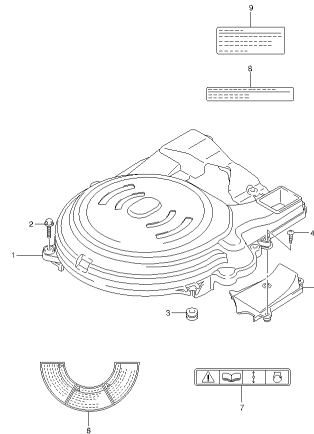
DFR00A_E01_014_001
CYLINDER HEAD

FIG.2



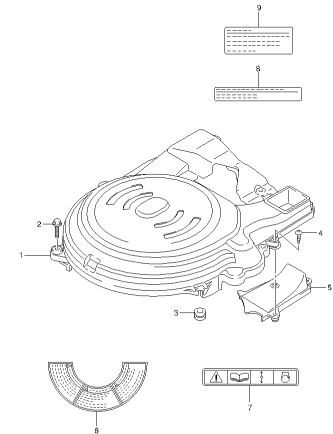
DFR00A_E01_014_002
CYLINDER BLOCK

FIG.3



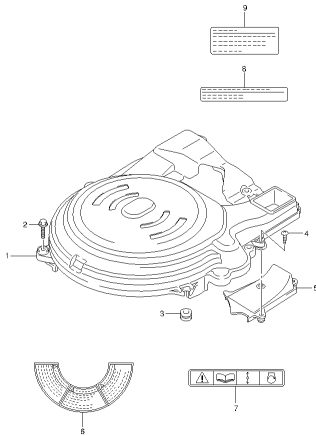
DFR00A_E01_014_003
RING GEAR COVER

FIG.4



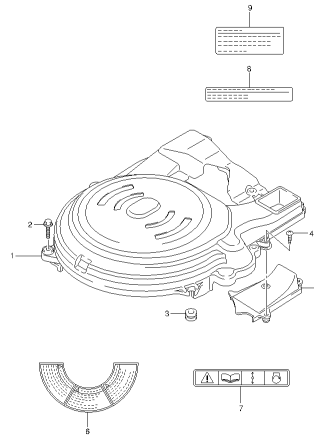
DFR00A_E01_014_004
RING GEAR COVER

FIG.5



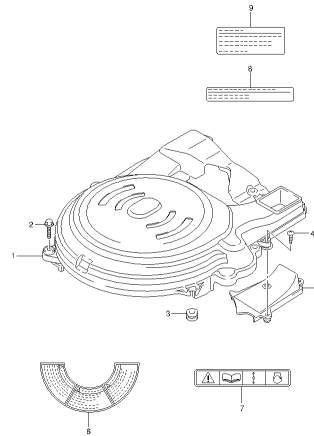
DFR00A_E01_014_005
RING GEAR COVER

FIG.6



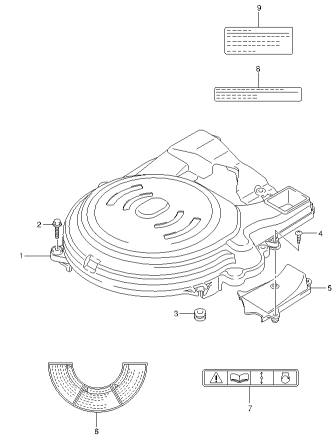
DFR00A_E01_014_006
RING GEAR COVER

FIG.7



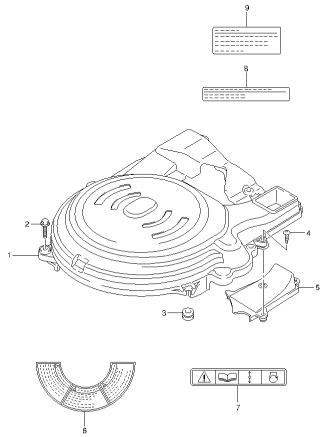
DFR00A_E01_014_007
RING GEAR COVER

FIG.8



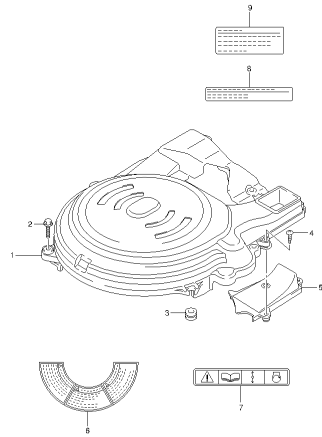
DFR00A_E01_014_008
RING GEAR COVER

FIG.9



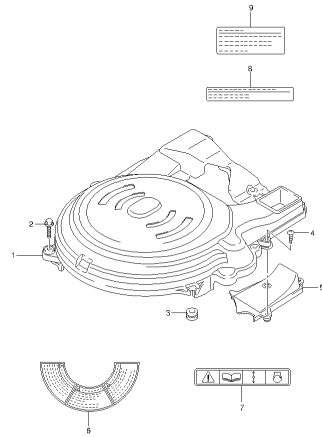
DFR00A_E01_014_009
RING GEAR COVER

FIG.10



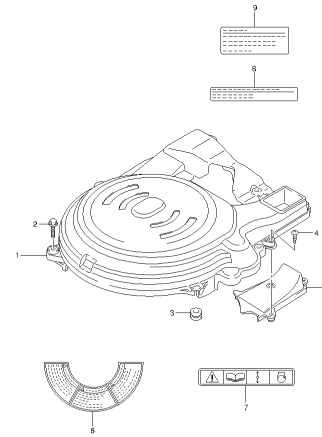
DFR00A_E01_014_010
RING GEAR COVER

FIG.11



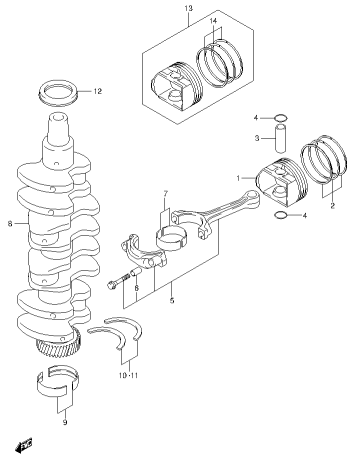
DFR00A_E01_014_011
RING GEAR COVER

FIG.12



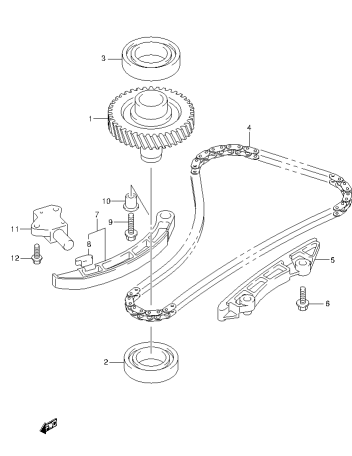
DFR00A_E01_014_012
RING GEAR COVER

FIG.13



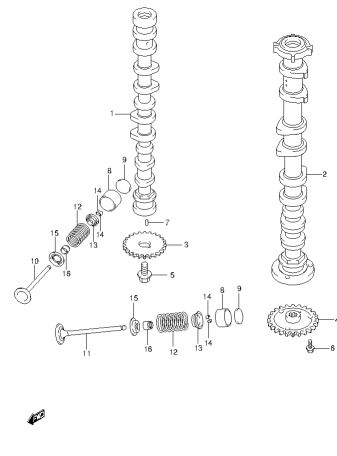
DFR00A_E01_014_013
CRANKSHAFT

FIG.14



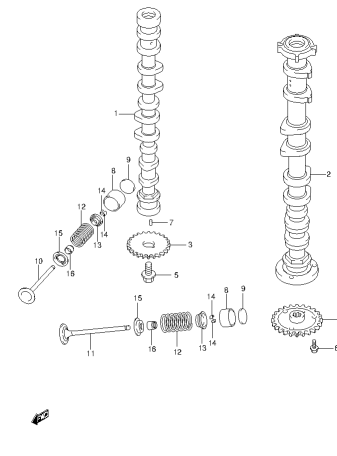
DFR00A_E01_014_014
TIMING CHAIN

FIG.15



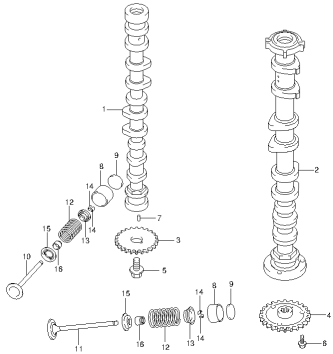
DFR00A_E01_014_015
CAMSHAFT

FIG.16



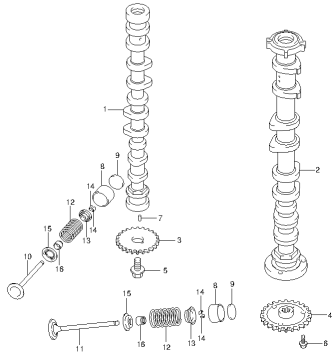
DFR00A_E01_014_016
CAMSHAFT

FIG.17



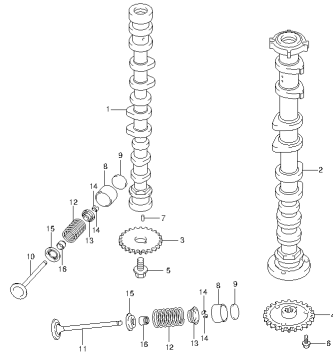
DFR00A_E01_014_017
CAMSHAFT

FIG.18



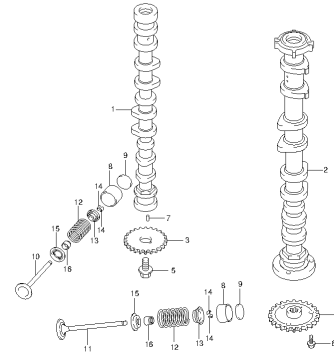
DFR00A_E01_014_018
CAMSHAFT

FIG.19



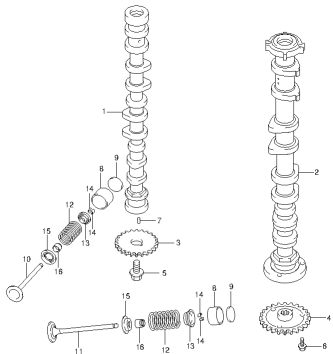
DFR00A_E01_014_019
CAMSHAFT

FIG.20



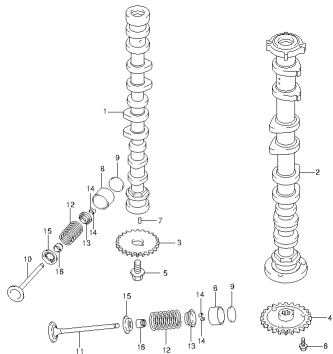
DFR00A_E01_014_020
CAMSHAFT

FIG.21



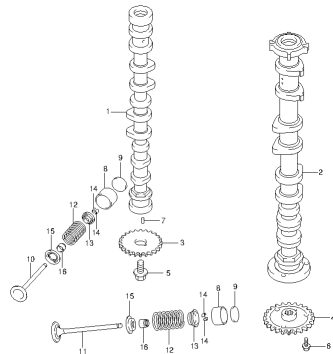
DFR00A_E01_014_021
CAMSHAFT

FIG.22



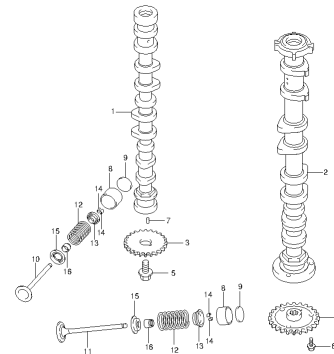
DFR00A_E01_014_022
CAMSHAFT

FIG.23



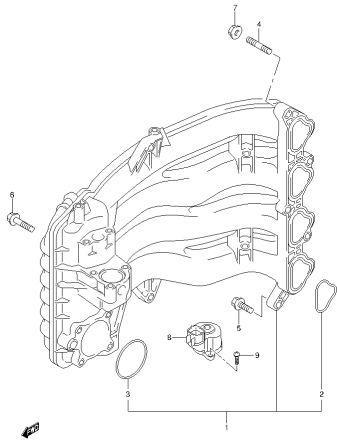
DFR00A_E01_014_023
CAMSHAFT

FIG.24



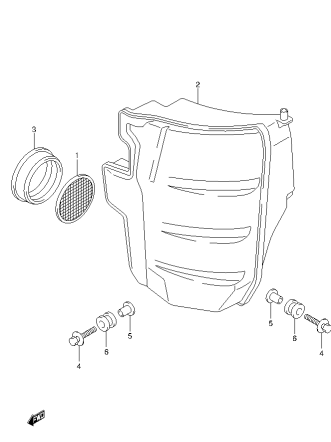
DFR00A_E01_014_024
CAMSHAFT

FIG.25



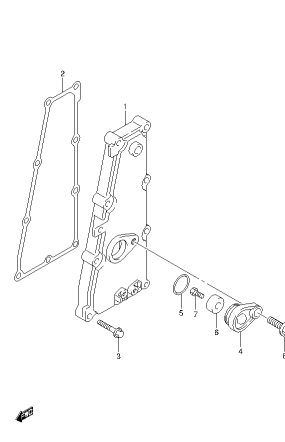
DFR00A_E01_014_025
INTAKE MANIFOLD

FIG.26



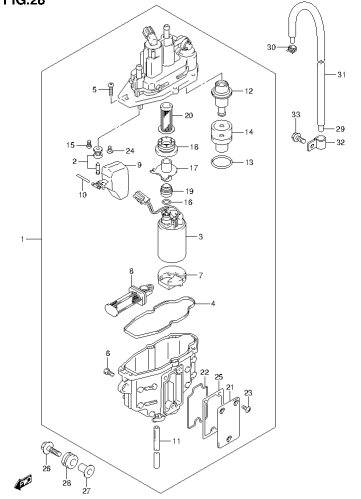
DFR00A_E01_014_026
SILENCER

FIG.27



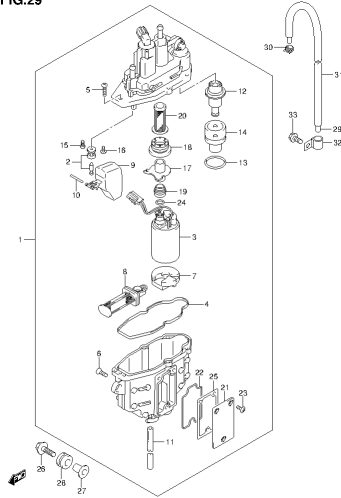
DFR00A_E01_014_027
EXHAUST COVER

FIG.28



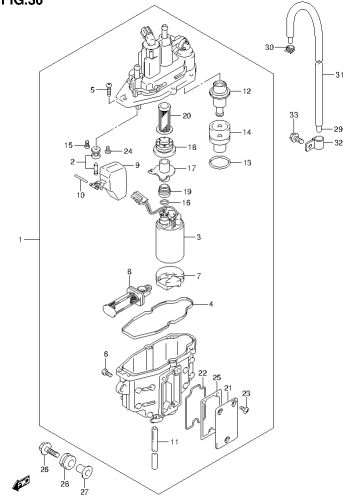
DFR00A_E01_014_028
FUEL VAPOR SEPARATOR

FIG.29



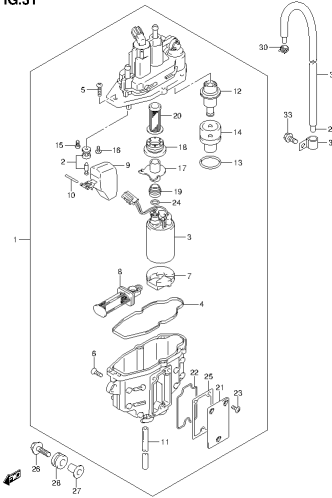
DFR00A_E01_014_029
FUEL VAPOR SEPARATOR

FIG.30



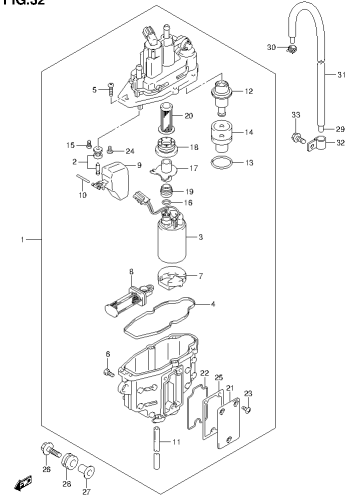
DFR00A_E01_014_030
FUEL VAPOR SEPARATOR

FIG.31

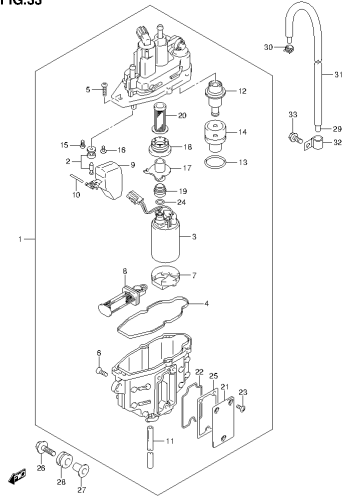


DFR00A_E01_014_031
FUEL VAPOR SEPARATOR

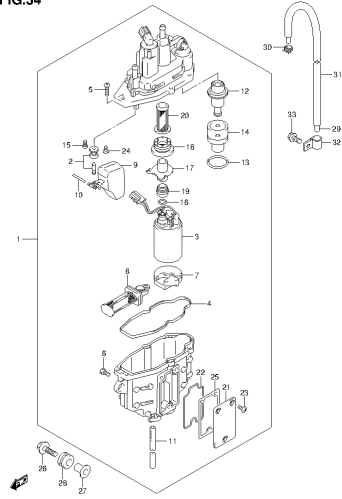
FIG.32



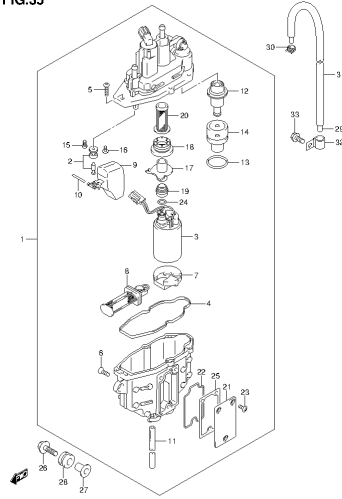
DFR00A_E01_014_032
FUEL VAPOR SEPARATOR

FIG.33

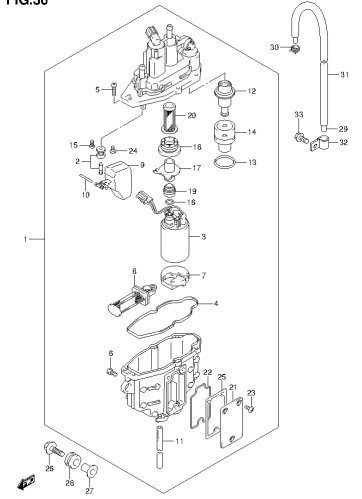
DFR00A_E01_014_933
FUEL VAPOR SEPARATOR

FIG.34

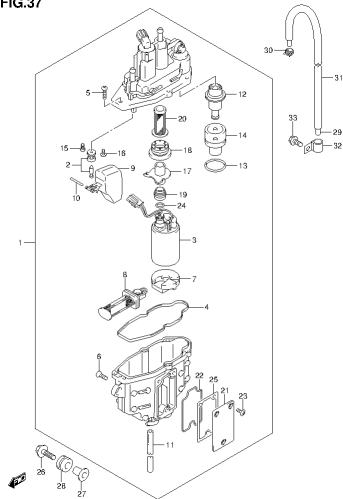
DFR00A_E01_014_934
FUEL VAPOR SEPARATOR

FIG.35

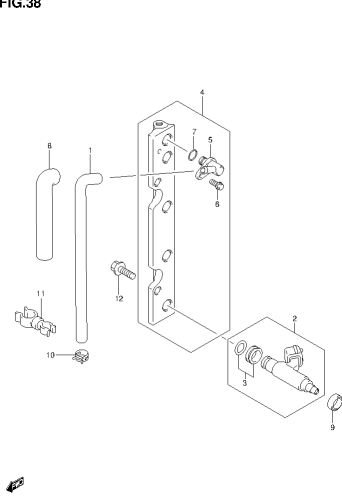
DFR00A_E01_014_935
FUEL VAPOR SEPARATOR

FIG.36

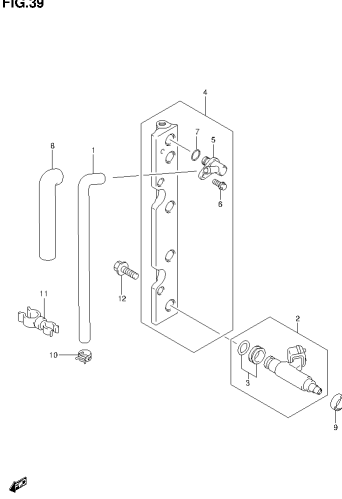
DFR00A_E01_014_936
FUEL VAPOR SEPARATOR

FIG.37

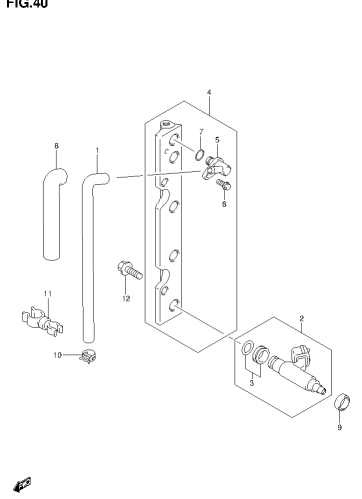
DFR00A_E01_014_937
FUEL VAPOR SEPARATOR

FIG.38

DFR00A_E01_014_938
FUEL INJECTOR

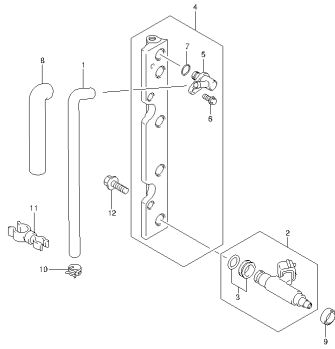
FIG.39

DFR00A_E01_014_939
FUEL INJECTOR

FIG.40

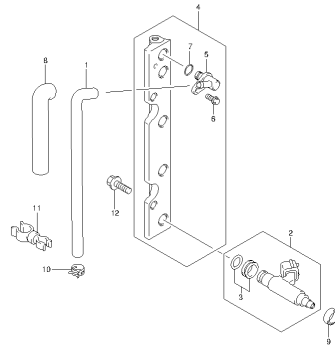
DFR00A_E01_014_940
FUEL INJECTOR

FIG.41



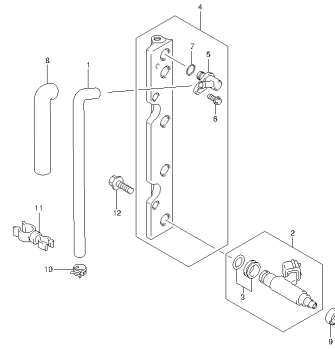
DF80A_E01_014_041
FUEL INJECTOR

FIG.42



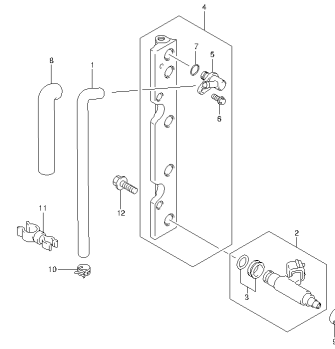
DF80A_E01_014_042
FUEL INJECTOR

FIG.43



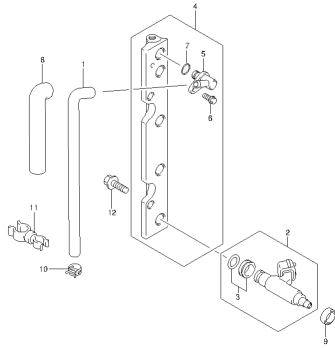
DF80A_E01_014_043
FUEL INJECTOR

FIG.44



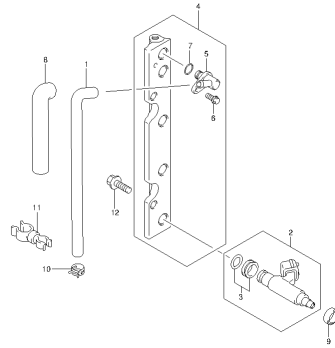
DF80A_E01_014_044
FUEL INJECTOR

FIG.45



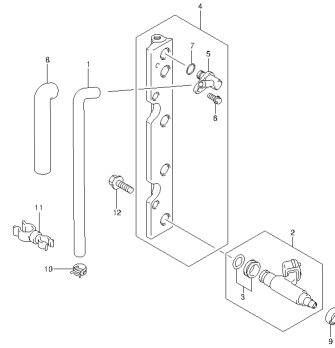
DF80A_E01_014_045
FUEL INJECTOR

FIG.46



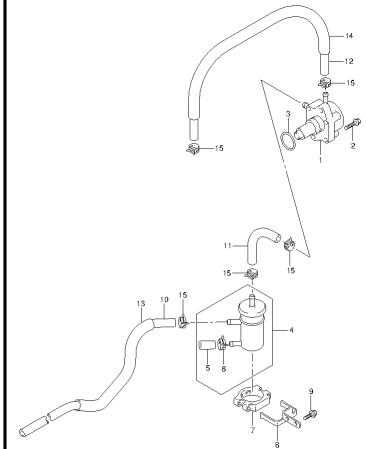
DF80A_E01_014_046
FUEL INJECTOR

FIG.47



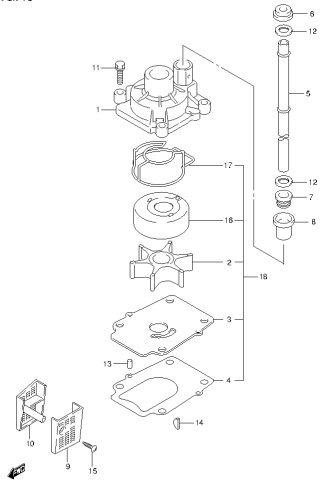
DF80A_E01_014_047
FUEL INJECTOR

FIG.48



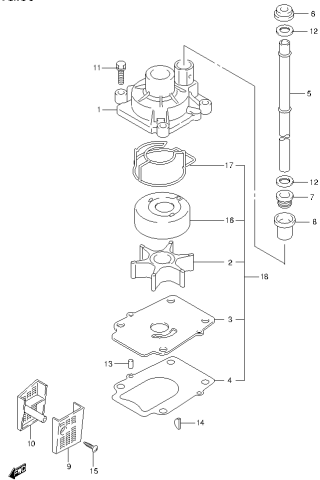
DF80A_E01_014_048
FUEL PUMP

FIG.49



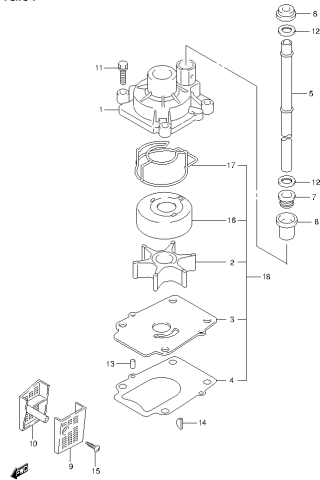
DFR00A_E01_014_049
WATER PUMP

FIG.50



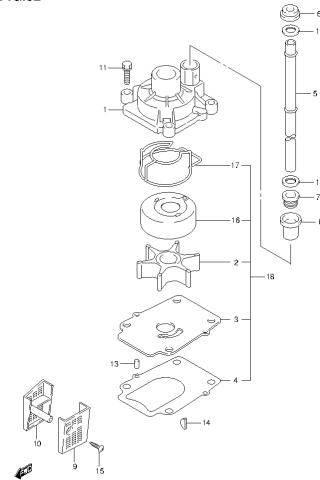
DFR00A_E01_014_050
WATER PUMP

FIG.51



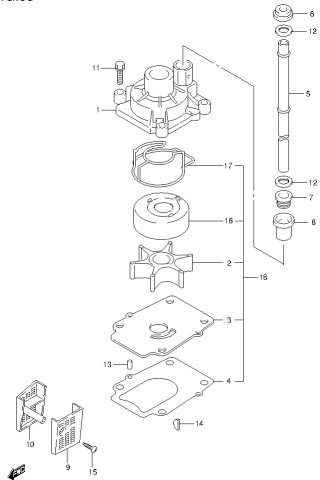
DFR00A_E01_014_051
WATER PUMP

FIG.52



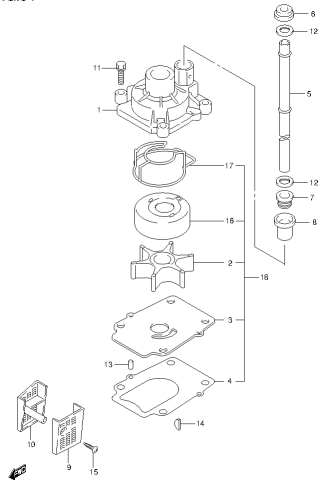
DFR00A_E01_014_052
WATER PUMP

FIG.53



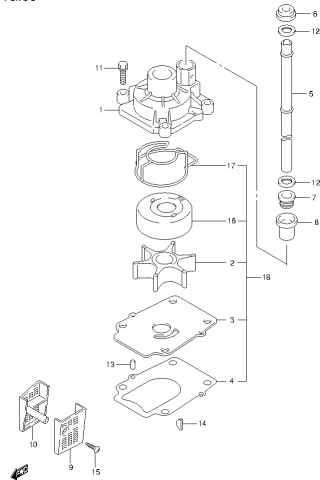
DFR00A_E01_014_053
WATER PUMP

FIG.54



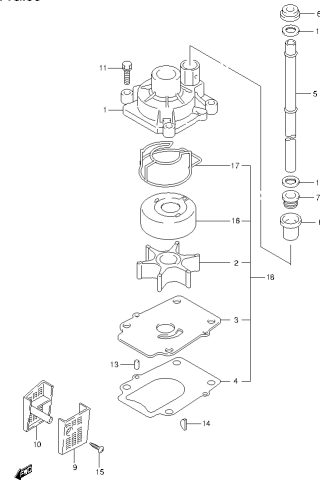
DFR00A_E01_014_054
WATER PUMP

FIG.55



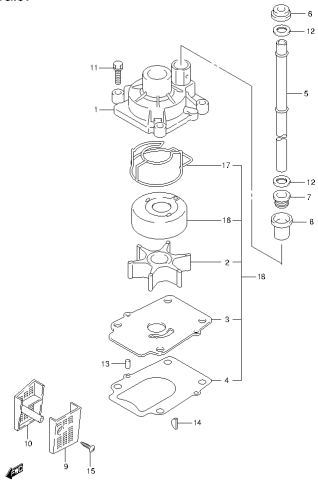
DFR00A_E01_014_055
WATER PUMP

FIG.56



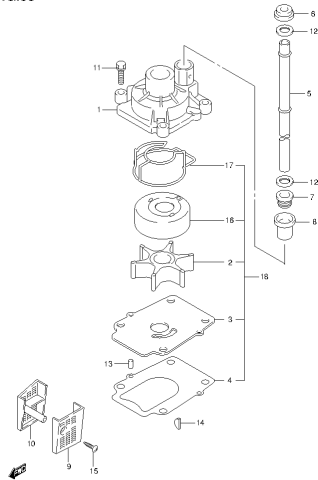
DFR00A_E01_014_056
WATER PUMP

FIG.57



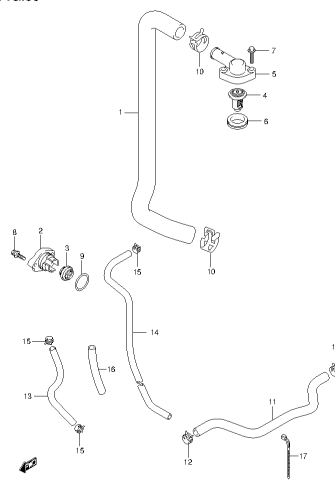
DFR00A_E01_014_057
WATER PUMP

FIG.58



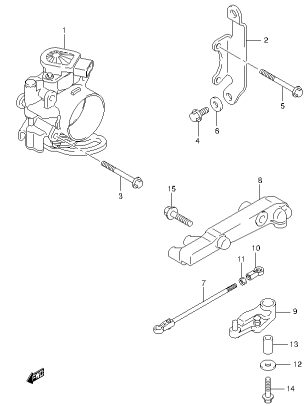
DFR00A_E01_014_058
WATER PUMP

FIG.59



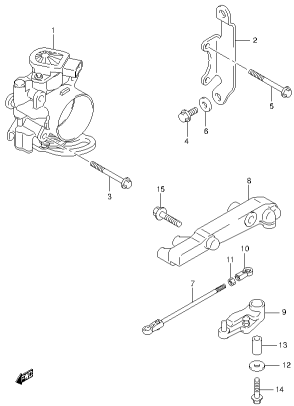
DFR00A_E01_014_059
THERMOCUPLE

FIG.60



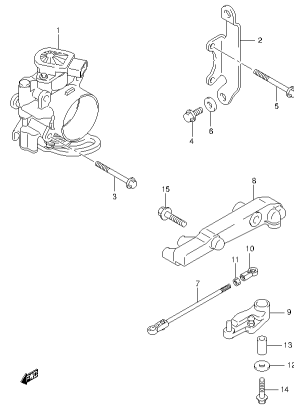
DFR00A_E01_014_060
THROTTLE BODY

FIG.61



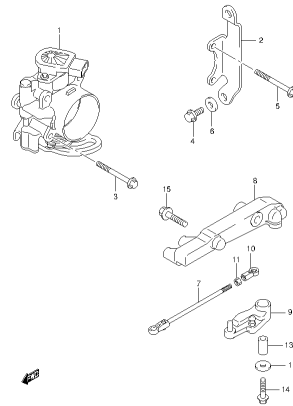
DFR00A_E01_014_061
THROTTLE BODY

FIG.62



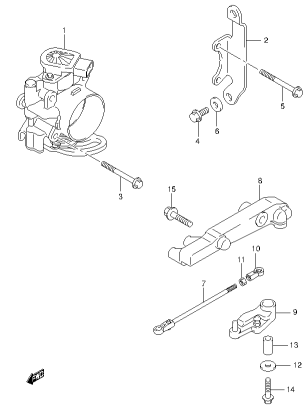
DFR00A_E01_014_062
THROTTLE BODY

FIG.63



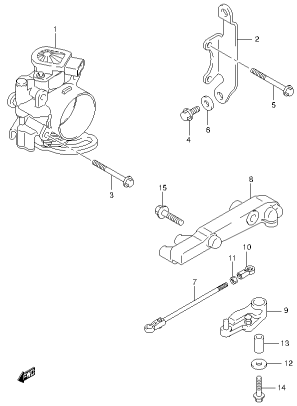
DFR00A_E01_014_063
THROTTLE BODY

FIG.64



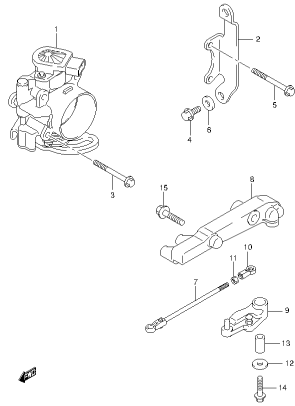
DFR00A_E01_014_064
THROTTLE BODY

FIG.65



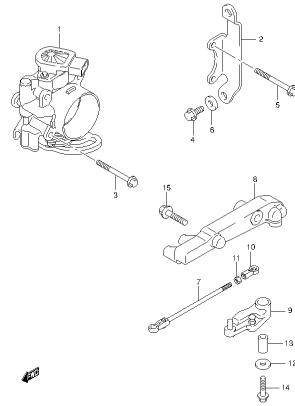
DFR00A_E01_014_085
THROTTLE BODY

FIG.66



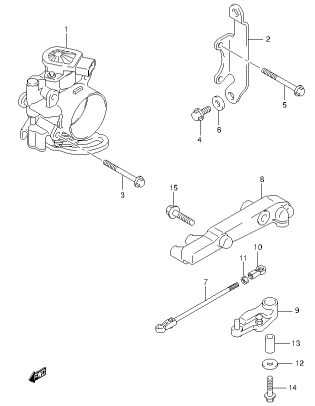
DFR00A_E01_014_086
THROTTLE BODY

FIG.67



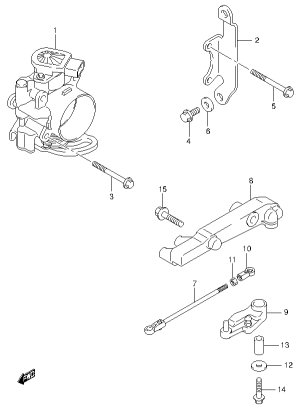
DFR00A_E01_014_087
THROTTLE BODY

FIG.68



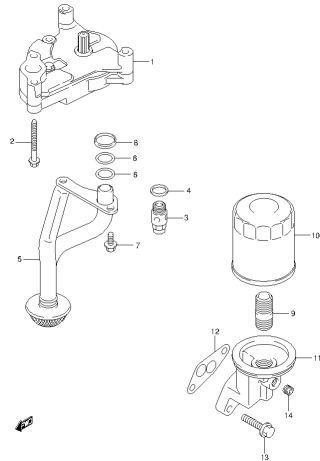
DFR00A_E01_014_088
THROTTLE BODY

FIG.69



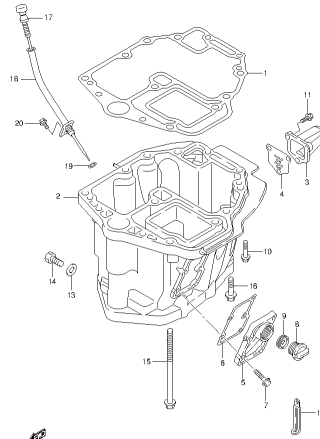
DFR00A_E01_014_089
THROTTLE BODY

FIG.70



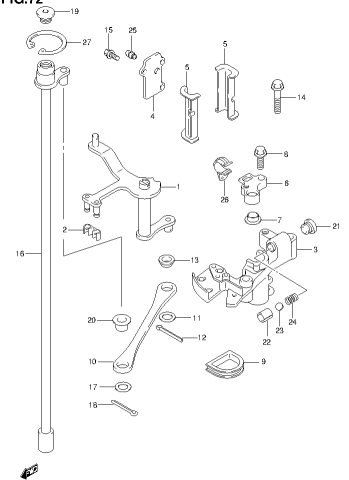
DFR00A_E01_014_070
OIL PUMP

FIG.71



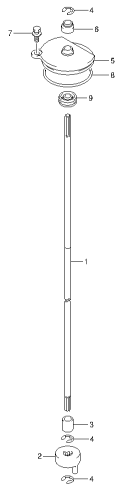
DFR00A_E01_014_071
OIL PAN

FIG.72



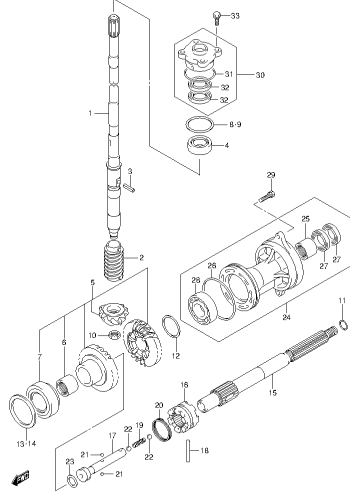
DFR00A_E01_014_072
CLUTCH SHAFT

FIG.73



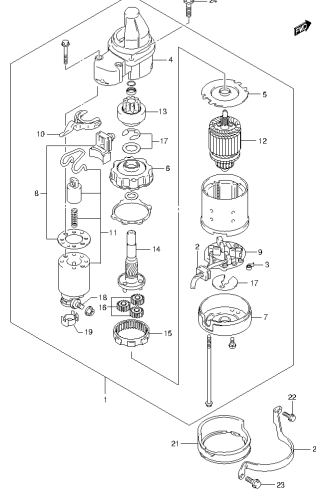
DFR0A_E01_014_073
CLUTCH FORK

FIG.74



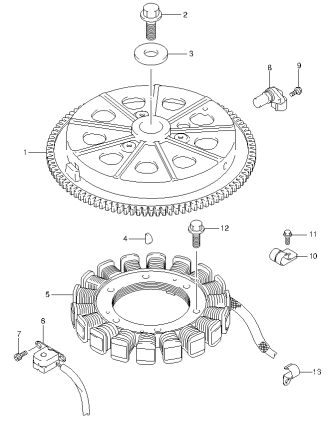
DFR0A_E01_014_074
TRANSMISSION

FIG.75



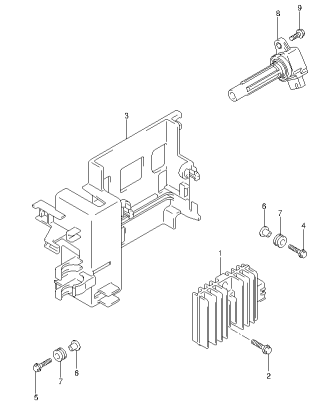
DFR0A_E01_014_075
STARTING MOTOR

FIG.76



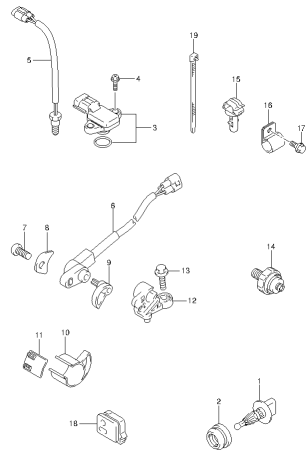
DFR0A_E01_014_076
MAGNETO

FIG.77



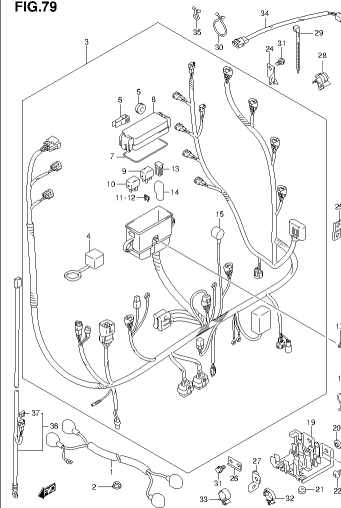
DFR0A_E01_014_077
RECTIFIER/IGNITION COIL

FIG.78



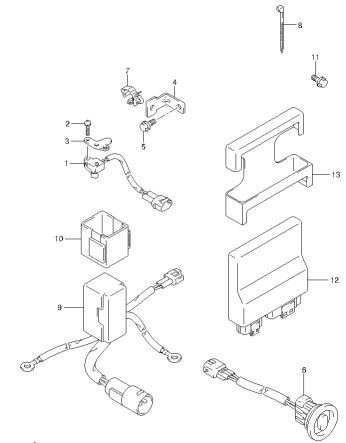
DFR0A_E01_014_078
SENSOR

FIG.79



DFR0A_E01_014_079
HARNESS

FIG.80



DFR0A_E01_014_080
PTT SWITCH ENGINE CONTROL UNIT

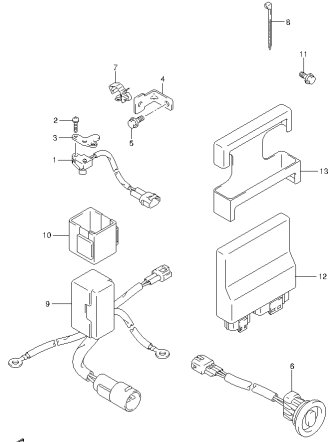
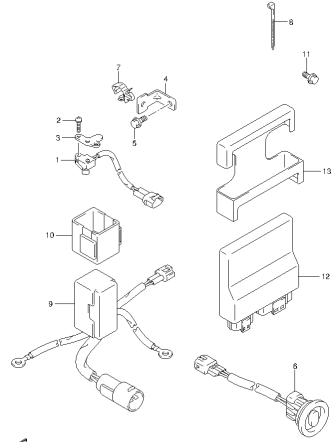
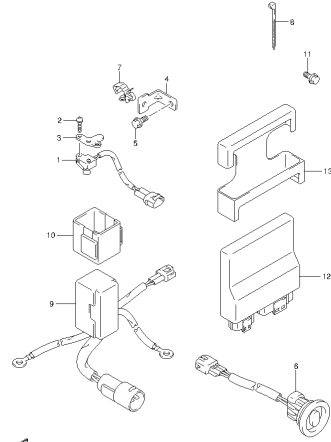
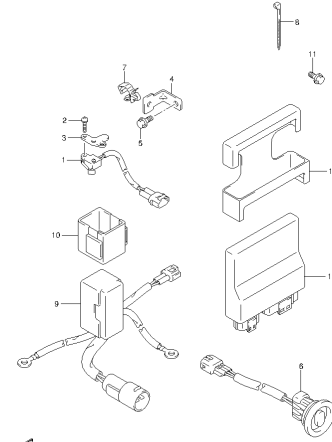
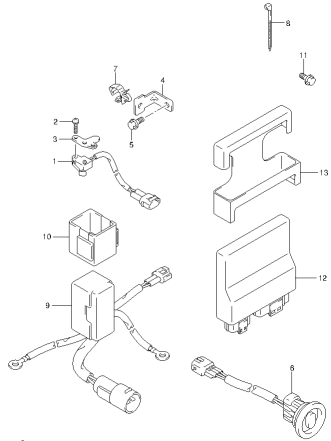
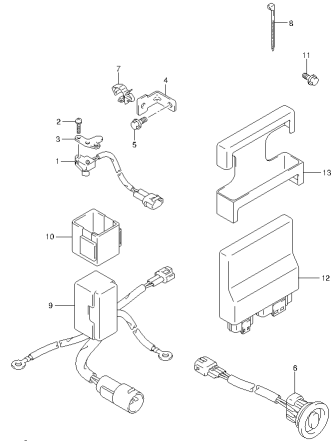
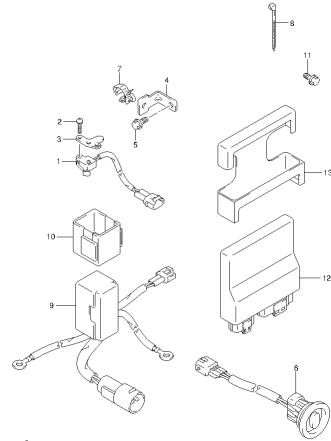
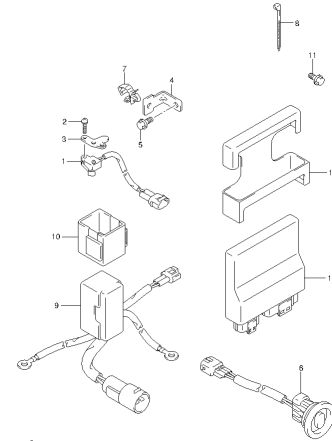
FIG.81DF80A_E01_014_081
PTT SWITCHENGINE CONTROL UNIT**FIG.82**DF80A_E01_014_082
PTT SWITCHENGINE CONTROL UNIT**FIG.83**DF80A_E01_014_083
PTT SWITCHENGINE CONTROL UNIT**FIG.84**DF80A_E01_014_084
PTT SWITCHENGINE CONTROL UNIT**FIG.85**DF80A_E01_014_085
PTT SWITCHENGINE CONTROL UNIT**FIG.86**DF80A_E01_014_086
PTT SWITCHENGINE CONTROL UNIT**FIG.87**DF80A_E01_014_087
PTT SWITCHENGINE CONTROL UNIT**FIG.88**DF80A_E01_014_088
PTT SWITCHENGINE CONTROL UNIT

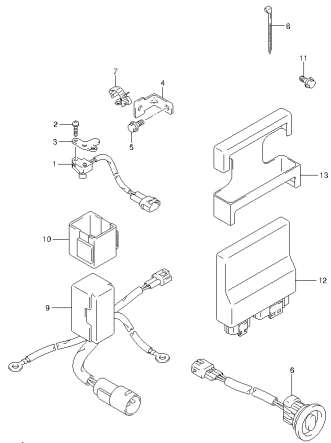
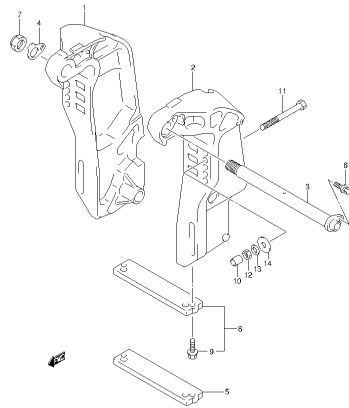
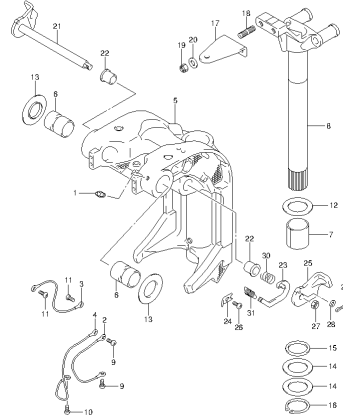
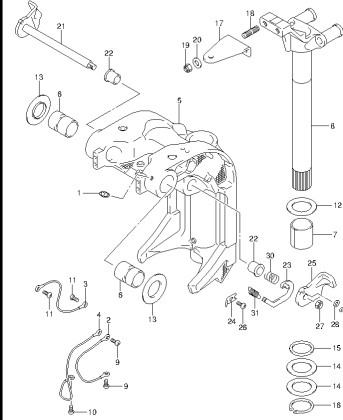
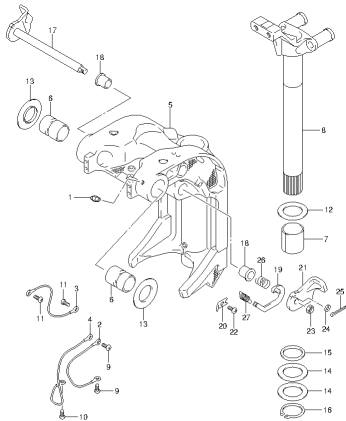
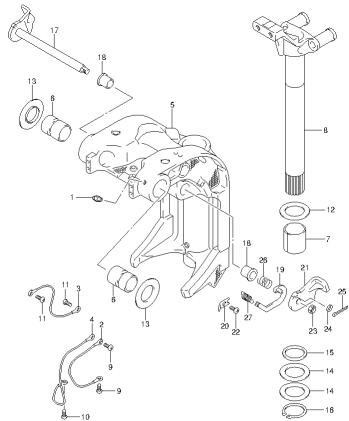
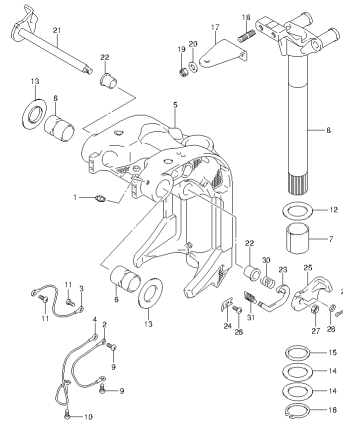
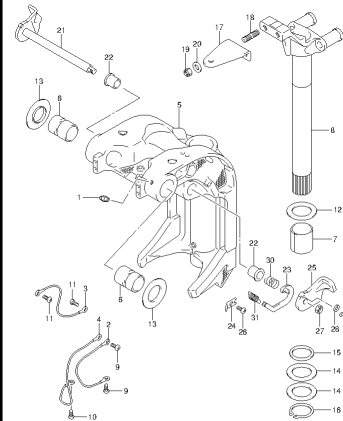
FIG.89DFR00A_E01_014_089
PTT SWITCH/ENGINE CONTROL UNIT**FIG.90**DFR00A_E01_014_090
CLAMP BRACKET**FIG.91**DFR00A_E01_014_091
SWIVEL BRACKET**FIG.92**DFR00A_E01_014_092
SWIVEL BRACKET**FIG.93**DFR00A_E01_014_093
SWIVEL BRACKET**FIG.94**DFR00A_E01_014_094
SWIVEL BRACKET**FIG.95**DFR00A_E01_014_095
SWIVEL BRACKET**FIG.96**DFR00A_E01_014_096
SWIVEL BRACKET

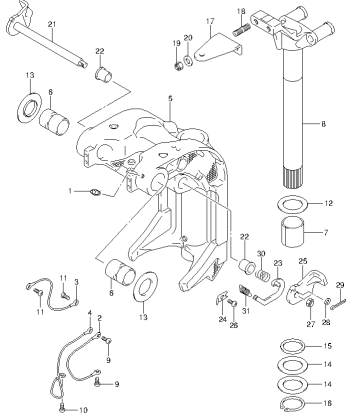
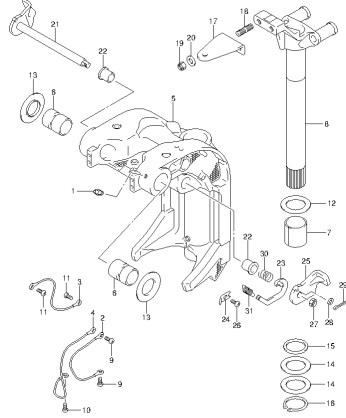
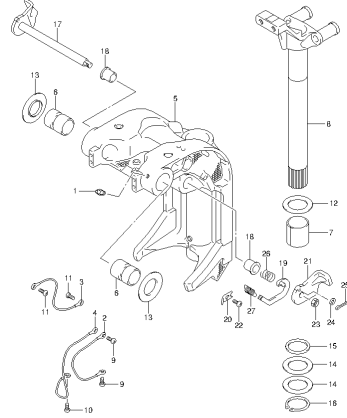
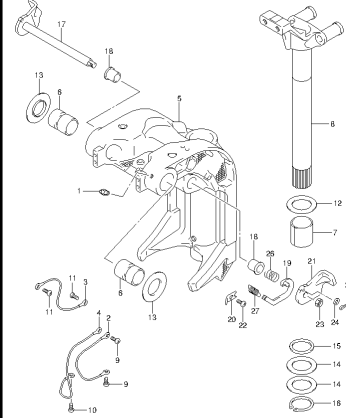
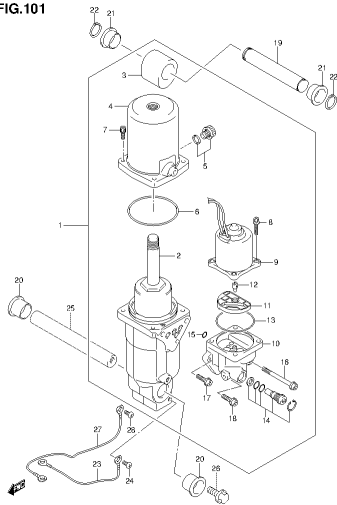
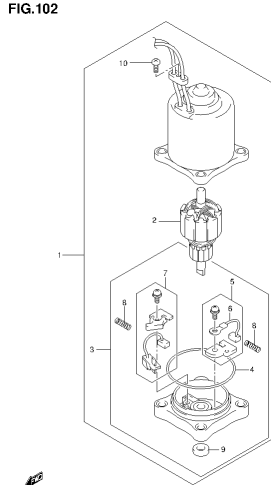
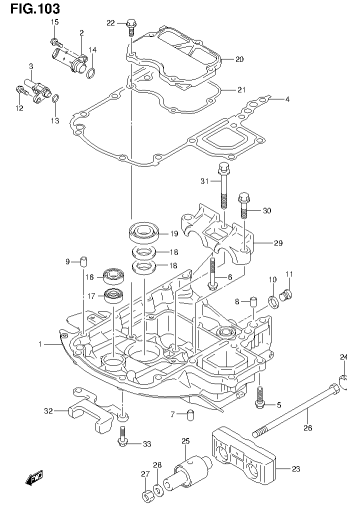
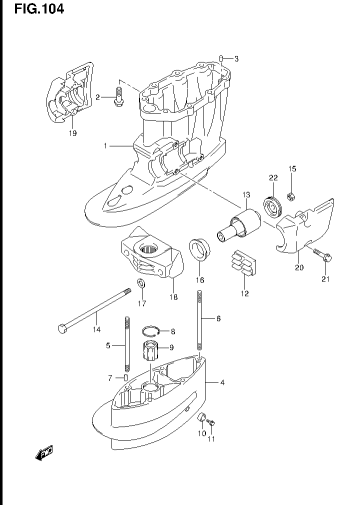
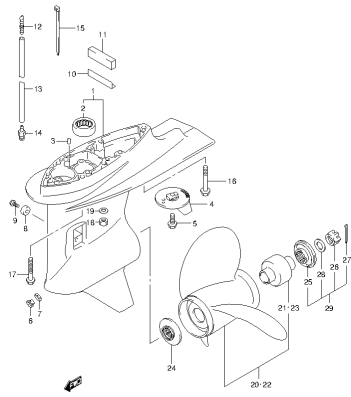
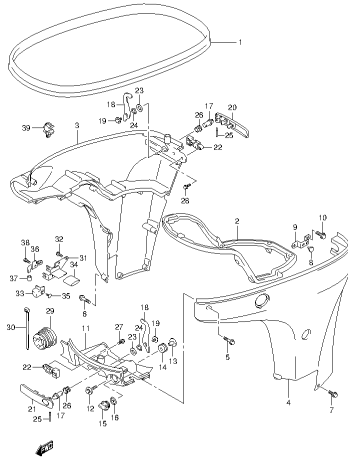
FIG.97DFR00A_E01_014_097
SWIVEL BRACKET**FIG.98**DFR00A_E01_014_098
SWIVEL BRACKET**FIG.99**DFR00A_E01_014_099
SWIVEL BRACKET**FIG.100**DFR00A_E01_014_100
SWIVEL BRACKET**FIG.101**DFR00A_E01_014_101
TRIM CYLINDER**FIG.102**DFR00A_E01_014_102
PTT MOTOR**FIG.103**DFR00A_E01_014_103
ENGINE HOLDER**FIG.104**DFR00A_E01_014_104
DRIVE SHAFT HOUSING

FIG.105



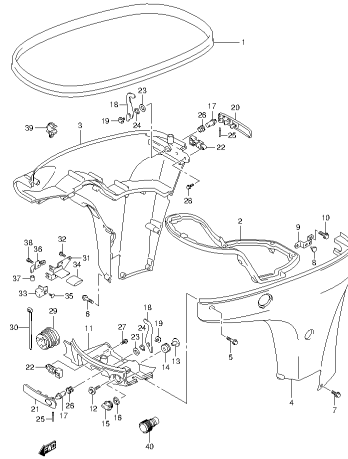
DFR00A_E01_014_105
GEAR CASE

FIG.106



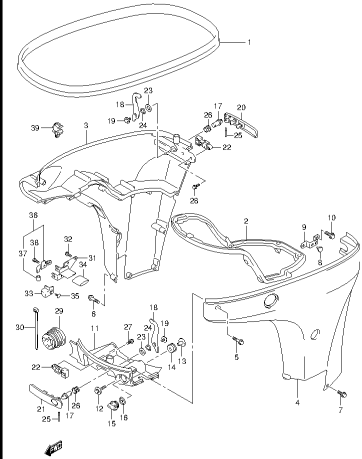
DFR00A_E01_014_106
SIDE COVER

FIG.107



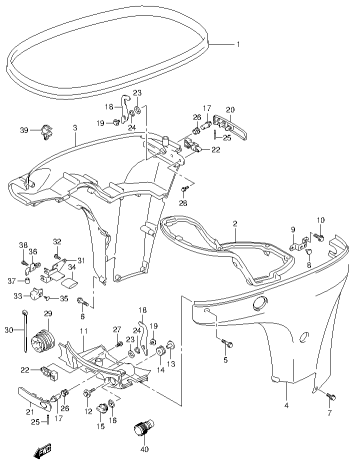
DFR00A_E01_014_107
SIDE COVER

FIG.108



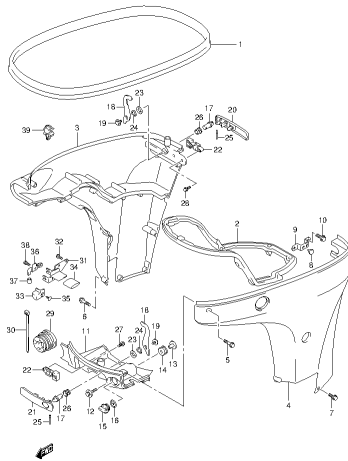
DFR00A_E01_014_108
SIDE COVER

FIG.109



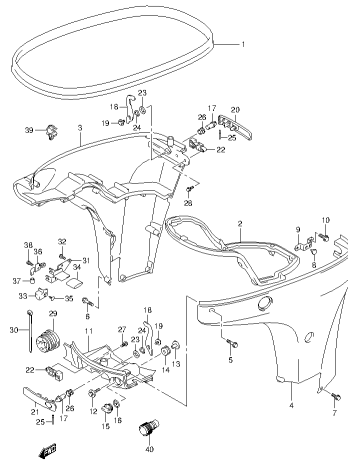
DFR00A_E01_014_109
SIDE COVER

FIG.110



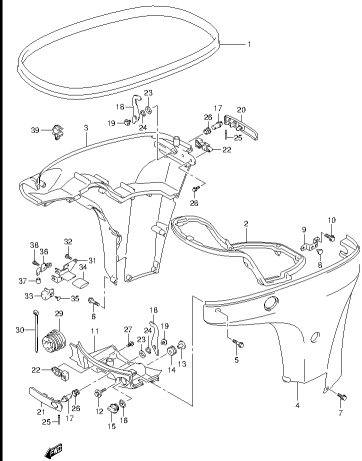
DFR00A_E01_014_110
SIDE COVER

FIG.111



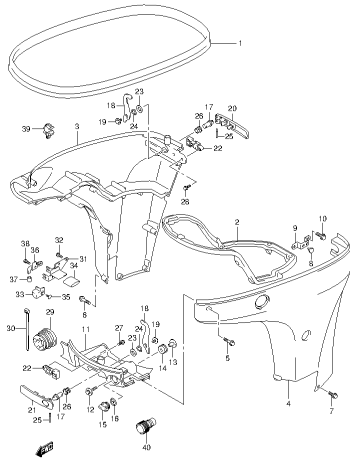
DFR00A_E01_014_111
SIDE COVER

FIG.112



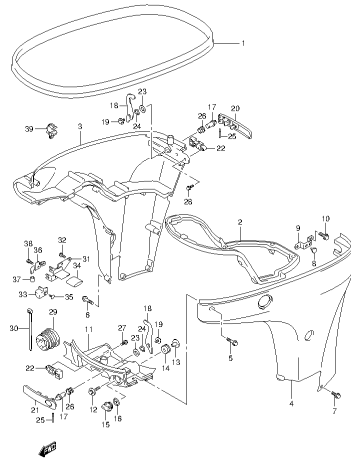
DFR00A_E01_014_112
SIDE COVER

FIG.113



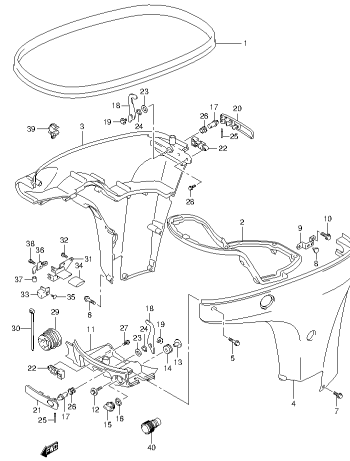
DFR0A_E01_014_113
SIDE COVER

FIG.114



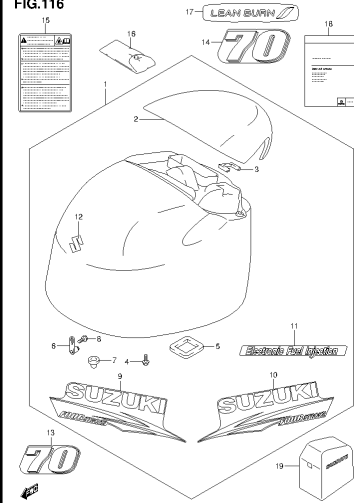
DFR0A_E01_014_114
SIDE COVER

FIG.115



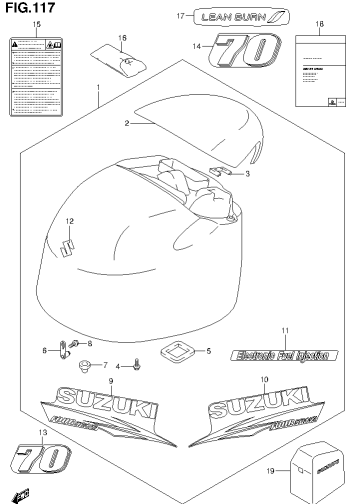
DFR0A_E01_014_115
SIDE COVER

FIG.116



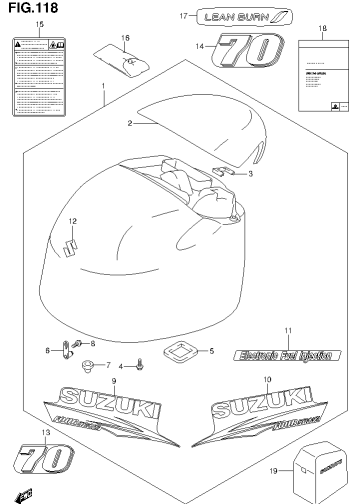
DFR0A_E01_014_116
ENGINE COVER

FIG.117



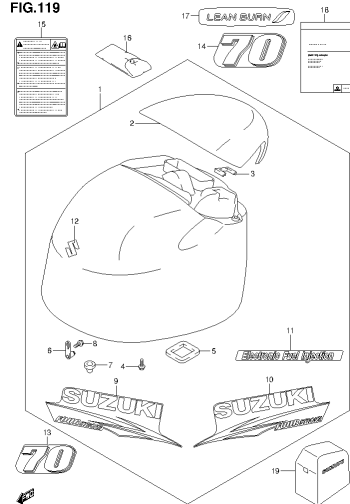
DFR0A_E01_014_117
ENGINE COVER

FIG.118



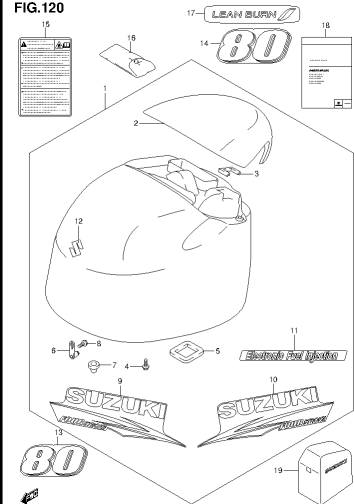
DFR0A_E01_014_118
ENGINE COVER

FIG.119



DFR0A_E01_014_119
ENGINE COVER

FIG.120



DFR0A_E01_014_120
ENGINE COVER

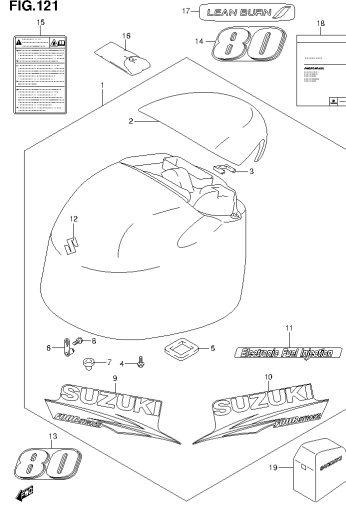
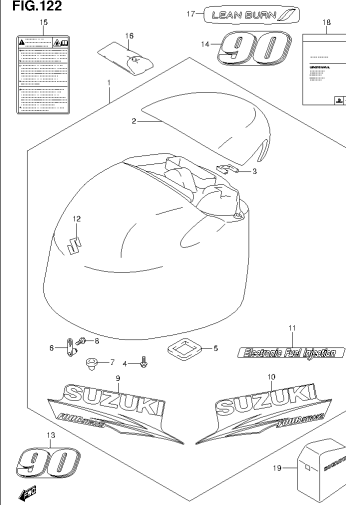
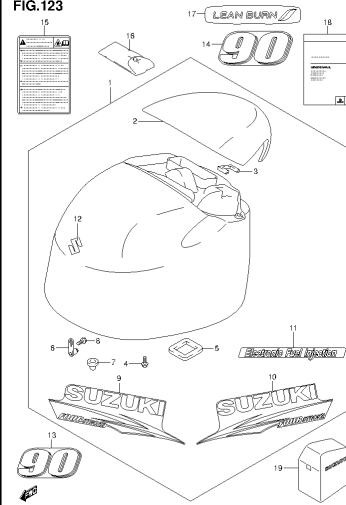
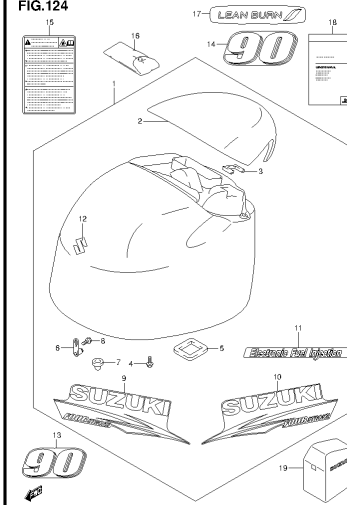
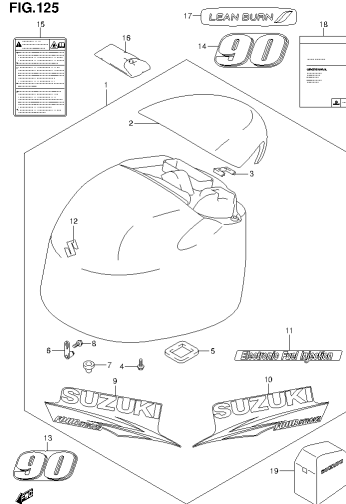
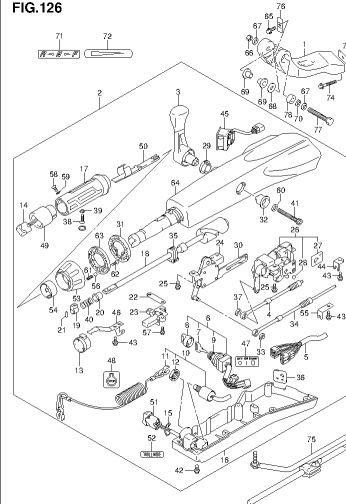
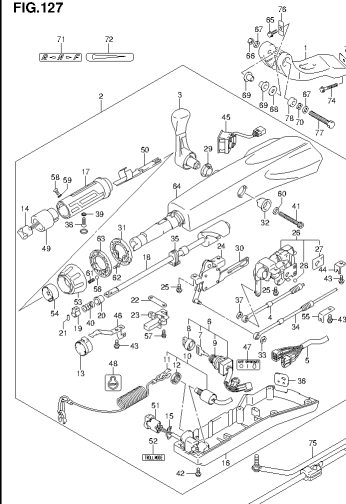
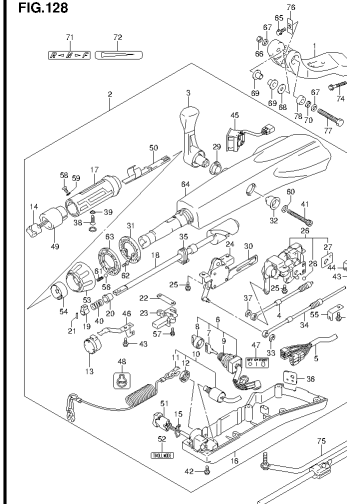
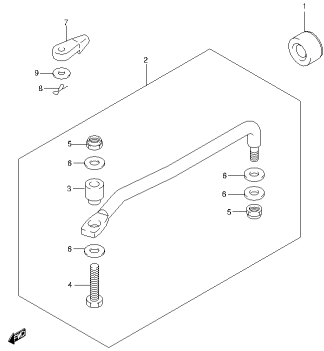
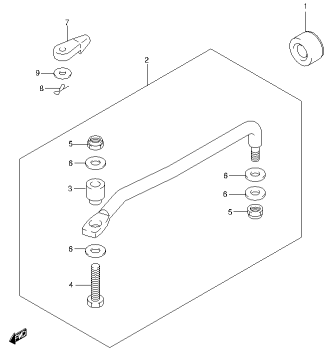
FIG.121DFR00A_E01_014_121
ENGINE COVER**FIG.122**DFR00A_E01_014_122
ENGINE COVER**FIG.123**DFR00A_E01_014_123
ENGINE COVER**FIG.124**DFR00A_E01_014_124
ENGINE COVER**FIG.125**DFR00A_E01_014_125
ENGINE COVER**FIG.126**DFR00A_E01_014_126
TILLER HANDLE**FIG.127**DFR00A_E01_014_127
TILLER HANDLE**FIG.128**DFR00A_E01_014_128
TILLER HANDLE

FIG.137



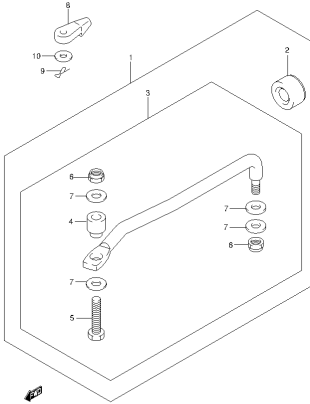
DFR0A_E01_014_137
DRAG LINK

FIG.138



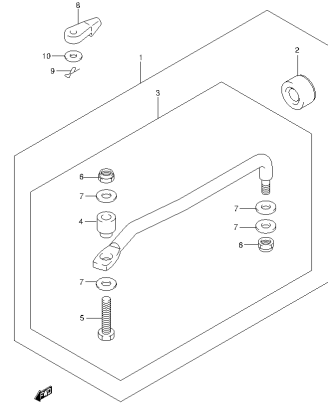
DFR0A_E01_014_138
DRAG LINK

FIG.139



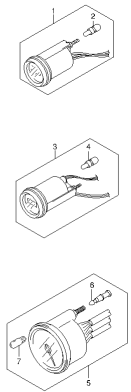
DFR0A_E01_014_139
DRAG LINK

FIG.140



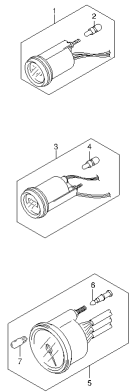
DFR0A_E01_014_140
DRAG LINK

FIG.141



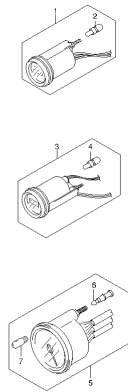
DFR0A_E01_014_141
METER

FIG.142



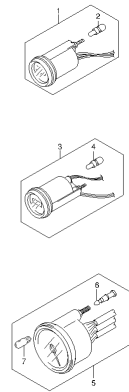
DFR0A_E01_014_142
METER

FIG.143



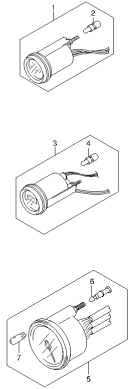
DFR0A_E01_014_143
METER

FIG.144



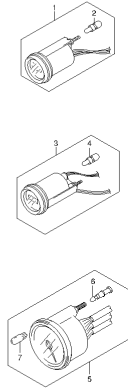
DFR0A_E01_014_144
METER

FIG.145



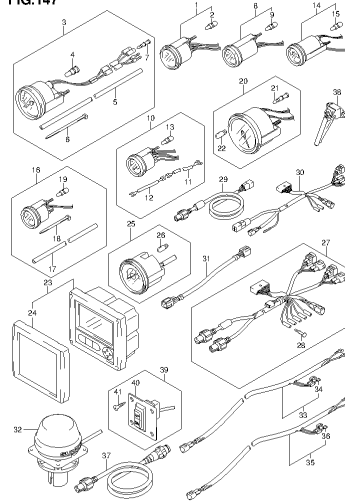
DFR0A_E01_014_145
METER

FIG.146



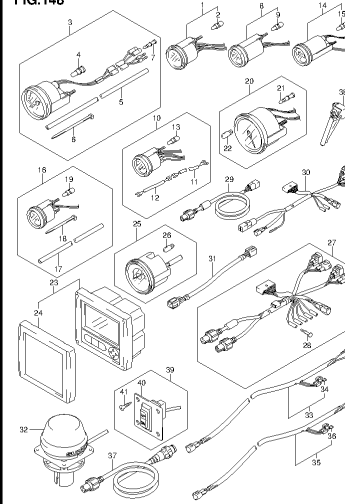
DFR0A_E01_014_146
METER

FIG.147



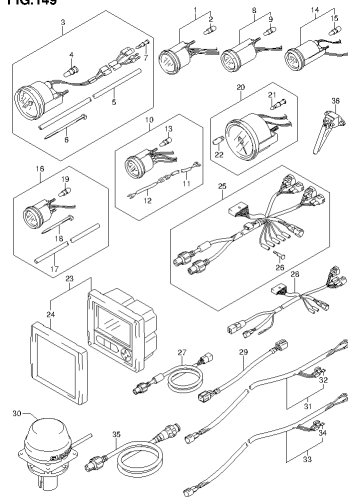
DFR0A_E01_014_147
OPT.METER

FIG.148



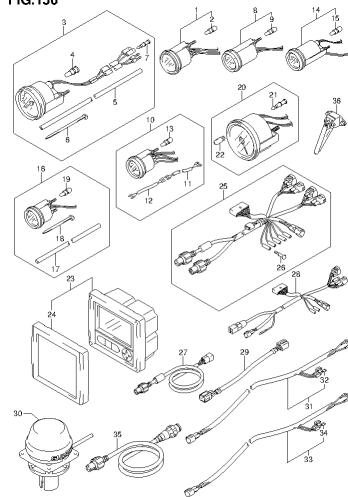
DFR0A_E01_014_148
OPT.METER

FIG.149



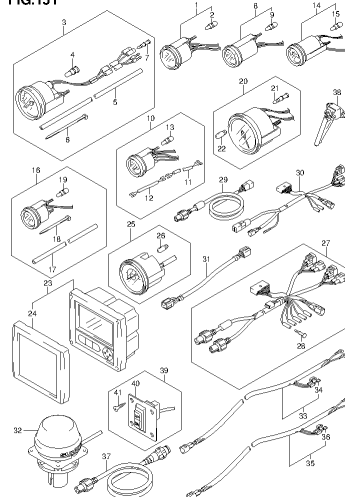
DFR0A_E01_014_149
OPT.METER

FIG.150



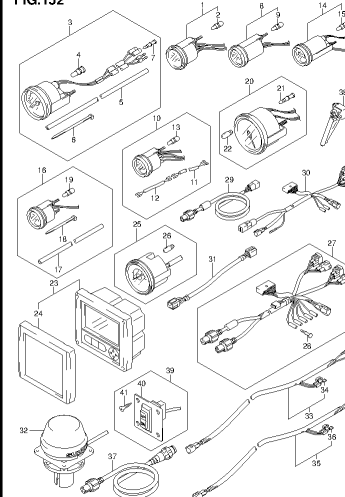
DFR0A_E01_014_150
OPT.METER

FIG.151



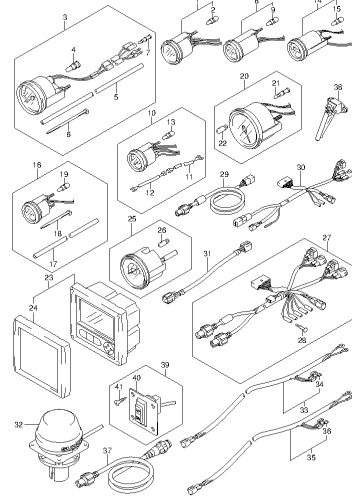
DFR0A_E01_014_151
OPT.METER

FIG.152



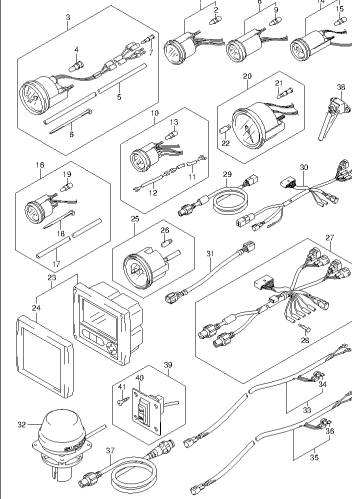
DFR0A_E01_014_152
OPT.METER

FIG.153



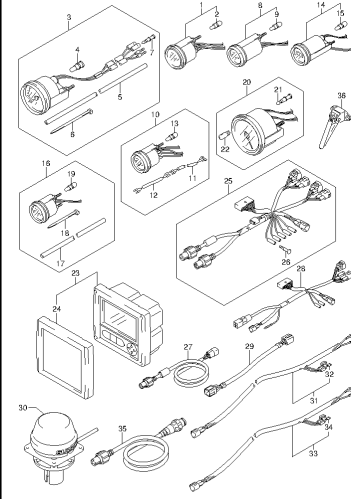
DFR00A_E01_014_153
OPT.METER

FIG.154



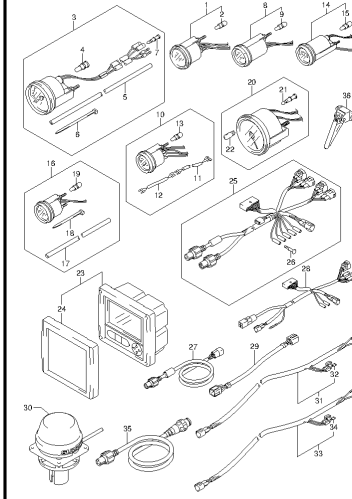
DFR00A_E01_014_154
OPT.METER

FIG.155



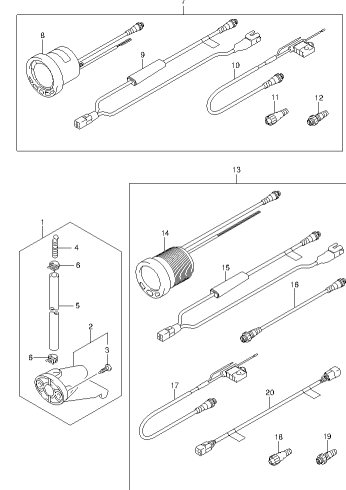
DFR00A_E01_014_155
OPT.METER

FIG.156



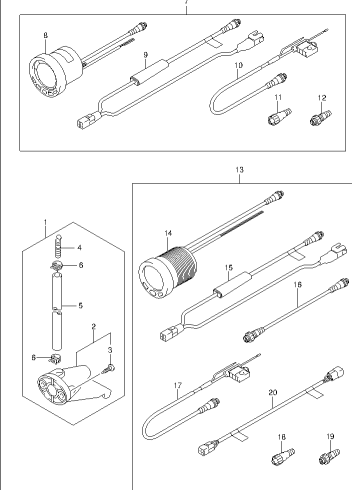
DFR00A_E01_014_156
OPT.METER

FIG.157



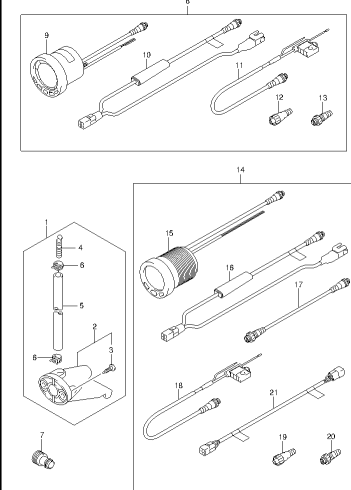
DFR00A_E01_014_157
OPT.METER KIT

FIG.158



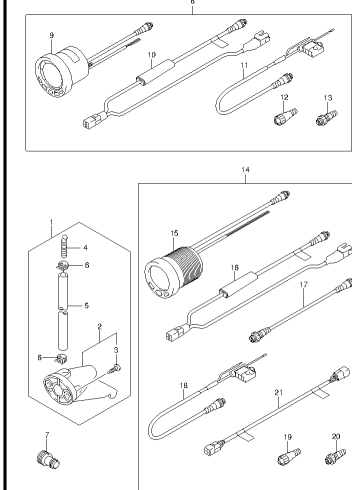
DFR00A_E01_014_158
OPT.METER KIT

FIG.159



DFR00A_E01_014_159
OPT.METER KIT

FIG.160



DFR00A_E01_014_160
OPT.METER KIT

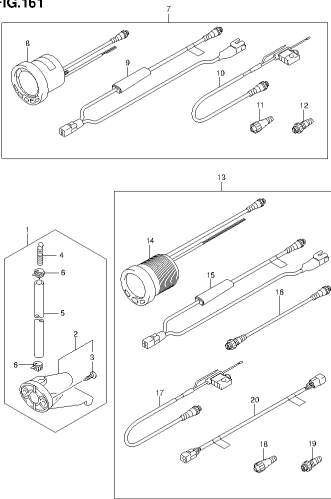
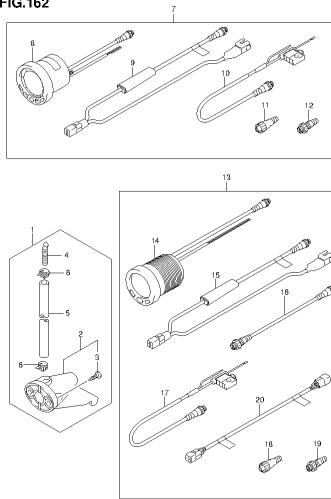
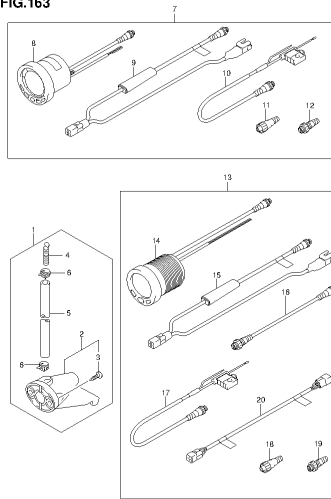
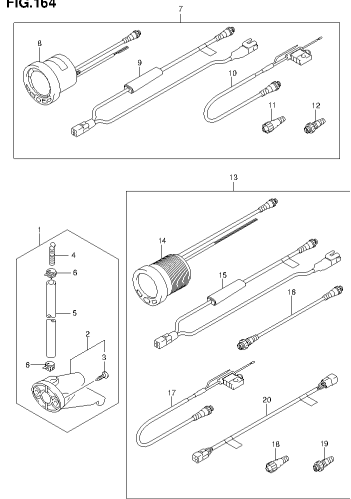
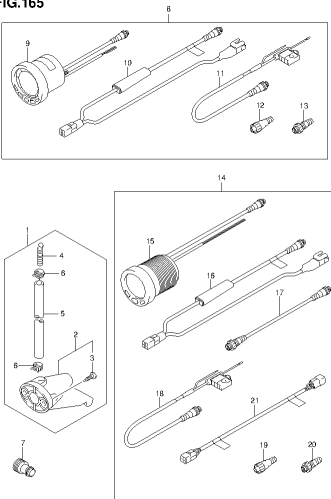
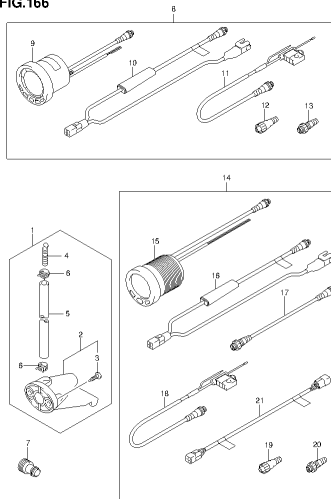
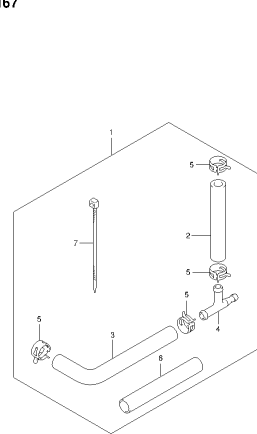
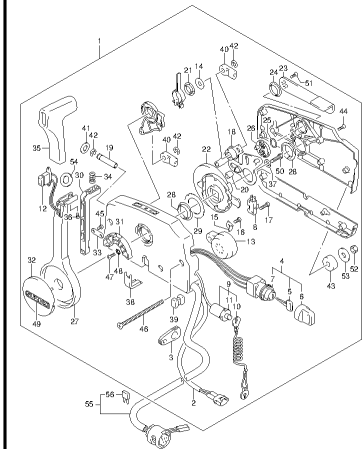
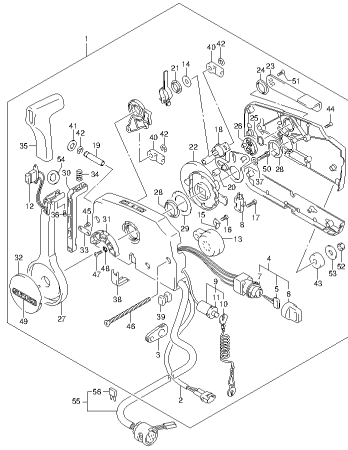
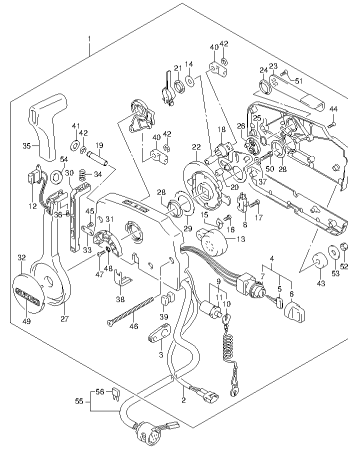
FIG.161DFR0A_E01_014_181
OPT.METER.KIT**FIG.162**DFR0A_E01_014_182
OPT.METER.KIT**FIG.163**DFR0A_E01_014_183
OPT.METER.KIT**FIG.164**DFR0A_E01_014_184
OPT.METER.KIT**FIG.165**DFR0A_E01_014_185
OPT.METER.KIT**FIG.166**DFR0A_E01_014_186
OPT.METER.KIT**FIG.167**DFR0A_E01_014_187
OPT.WATER PRESSURE GAUGE SUB.KIT**FIG.168**DFR0A_E01_014_188
OPT.REMOTE CONTROL

FIG.169



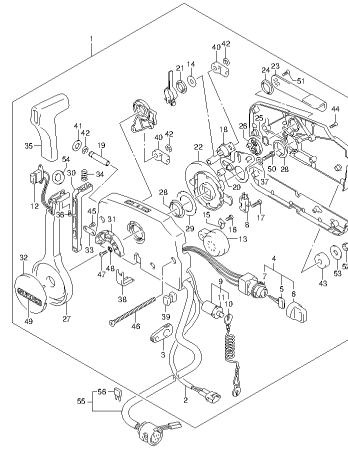
DFR0A_E01_014_169
OPT.REMOTE CONTROL

FIG.170



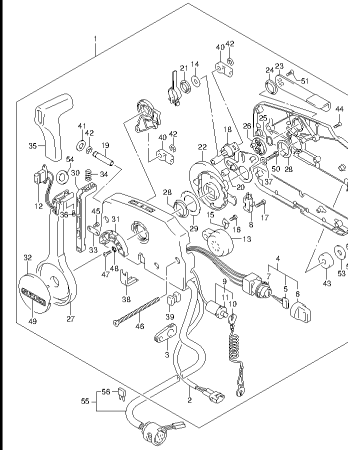
DFR0A_E01_014_170
OPT.REMOTE CONTROL

FIG.171



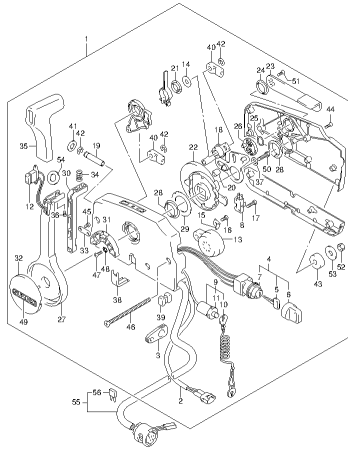
DFR0A_E01_014_171
OPT.REMOTE CONTROL

FIG.172



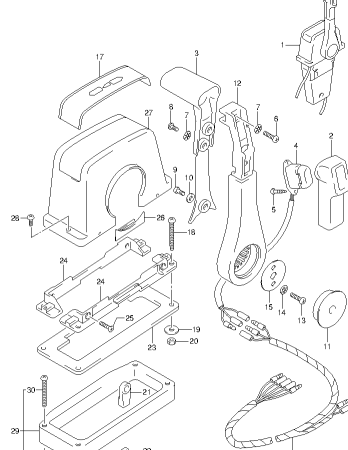
DFR0A_E01_014_172
OPT.REMOTE CONTROL

FIG.173



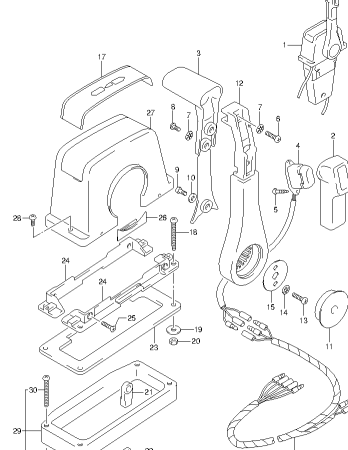
DFR0A_E01_014_173
OPT.REMOTE CONTROL

FIG.174



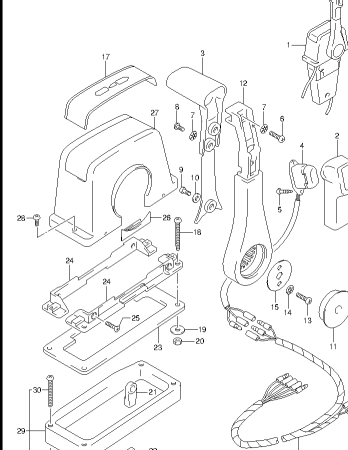
DFR0A_E01_014_174
OPT.REMOTE CONTROL ASSY SINGLE (1)

FIG.175



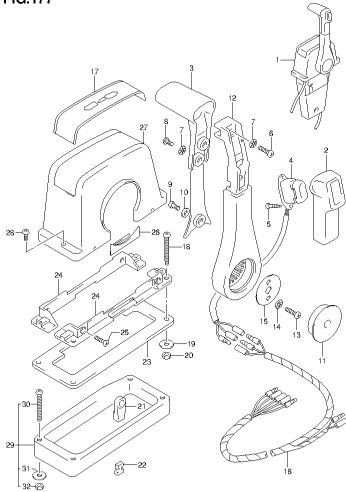
DFR0A_E01_014_175
OPT.REMOTE CONTROL ASSY SINGLE (1)

FIG.176



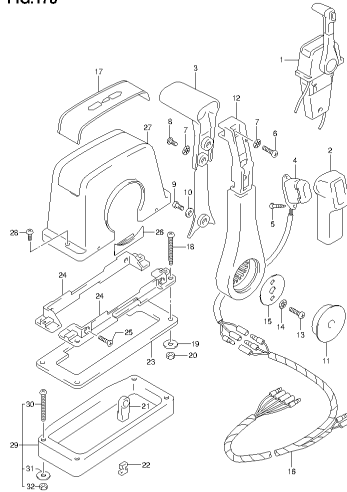
DFR0A_E01_014_176
OPT.REMOTE CONTROL ASSY SINGLE (1)

FIG.177



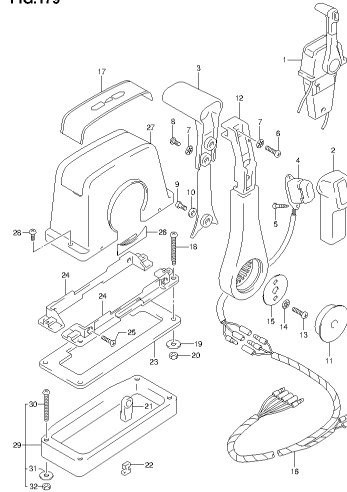
DFR00A_E01_014_177
OPT.REMOTE CONTROL ASSY SINGLE (1)

FIG.178



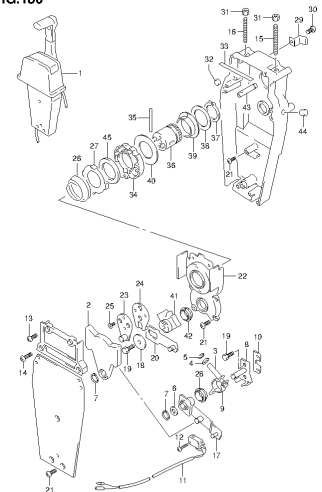
DFR00A_E01_014_178
OPT.REMOTE CONTROL ASSY SINGLE (1)

FIG.179



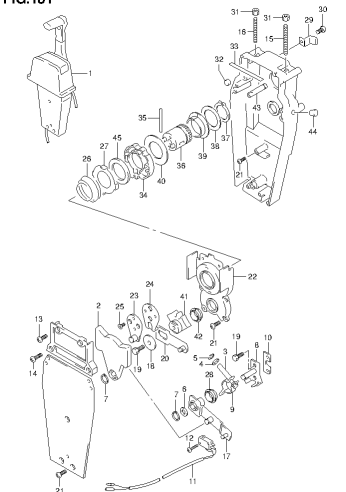
DFR00A_E01_014_179
OPT.REMOTE CONTROL ASSY SINGLE (1)

FIG.180



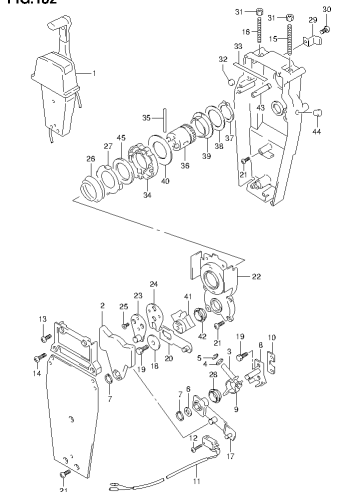
DFR00A_E01_014_180
OPT.REMOTE CONTROL ASSY SINGLE (2)

FIG.181



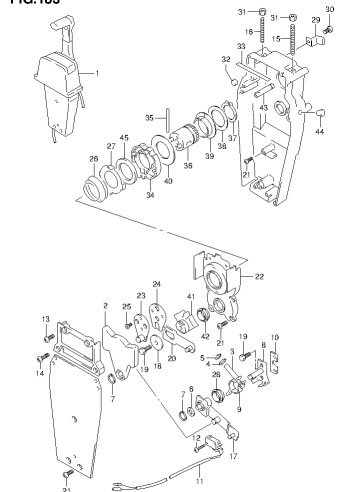
DFR00A_E01_014_181
OPT.REMOTE CONTROL ASSY SINGLE (2)

FIG.182



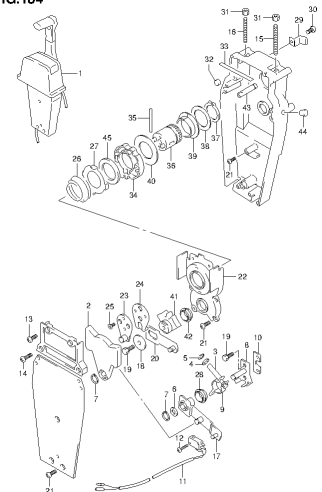
DFR00A_E01_014_182
OPT.REMOTE CONTROL ASSY SINGLE (2)

FIG.183



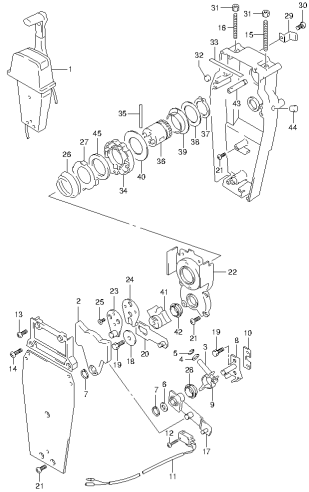
DFR00A_E01_014_183
OPT.REMOTE CONTROL ASSY SINGLE (2)

FIG.184



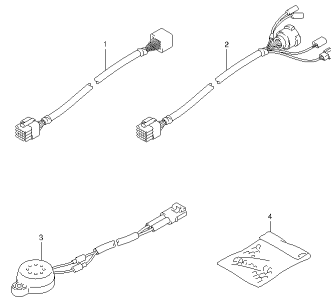
DFR00A_E01_014_184
OPT.REMOTE CONTROL ASSY SINGLE (2)

FIG.185



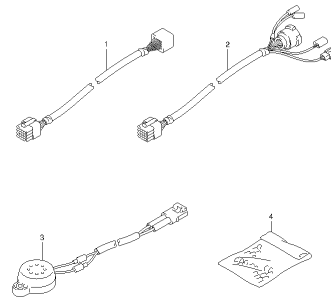
DFR00A_E01_014_185
OPT.REMOTE CONTROL ASSY SINGLE (2)

FIG.186



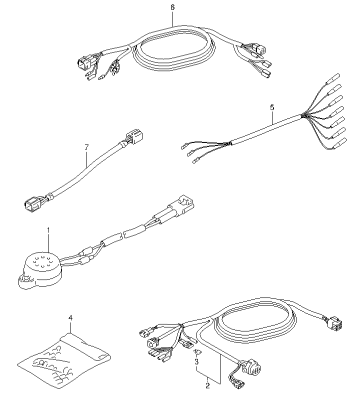
DFR00A_E01_014_186
OPT.HARNES

FIG.187



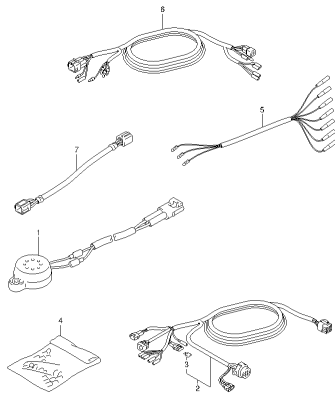
DFR00A_E01_014_187
OPT.HARNES

FIG.188



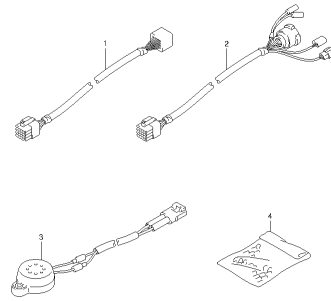
DFR00A_E01_014_188
OPT.HARNES

FIG.189



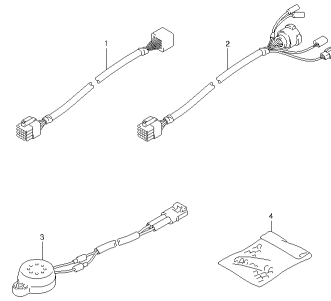
DFR00A_E01_014_189
OPT.HARNES

FIG.190



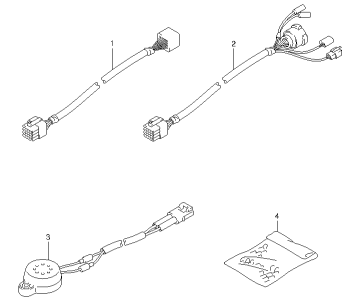
DFR00A_E01_014_190
OPT.HARNES

FIG.191



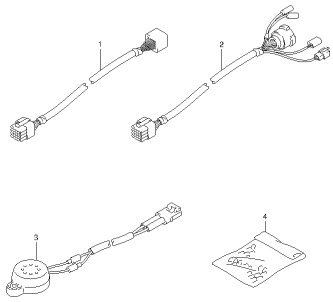
DFR00A_E01_014_191
OPT.HARNES

FIG.192



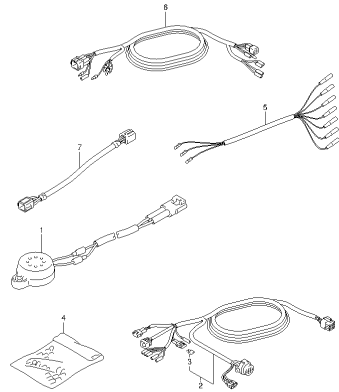
DFR00A_E01_014_192
OPT.HARNES

FIG.193



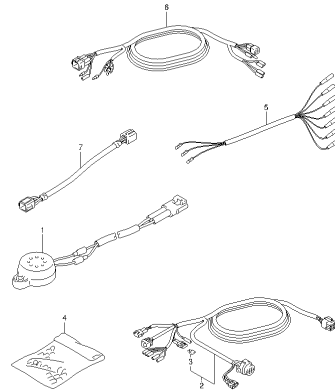
DFR00A_E01_014_193
OPT.HARNES

FIG.194



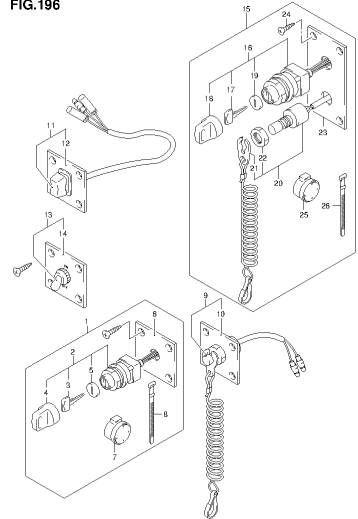
DFR00A_E01_014_194
OPT.HARNES

FIG.195



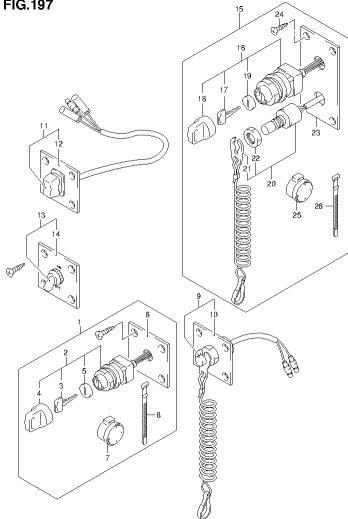
DFR00A_E01_014_195
OPT.HARNES

FIG.196



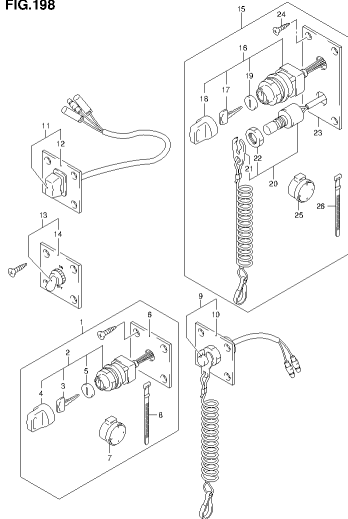
DFR00A_E01_014_196
OPT.SWITCH

FIG.197



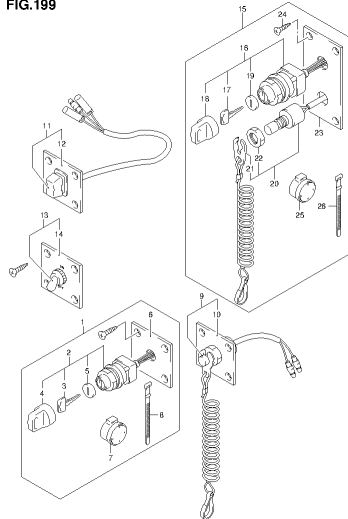
DFR00A_E01_014_197
OPT.SWITCH

FIG.198



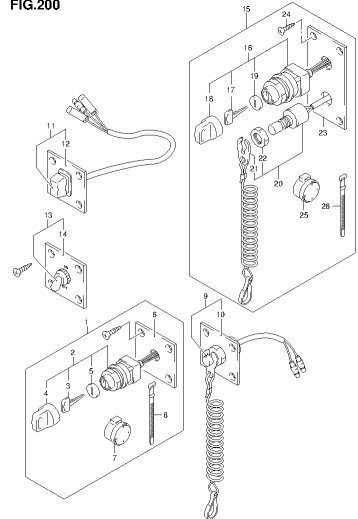
DFR00A_E01_014_198
OPT.SWITCH

FIG.199



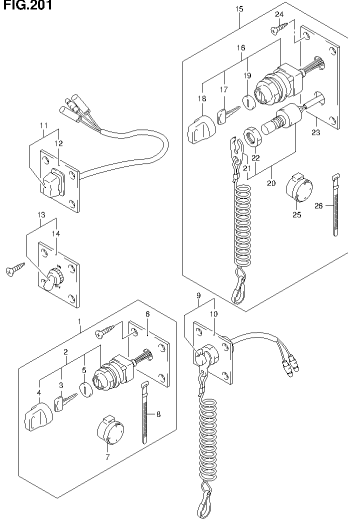
DFR00A_E01_014_199
OPT.SWITCH

FIG.200



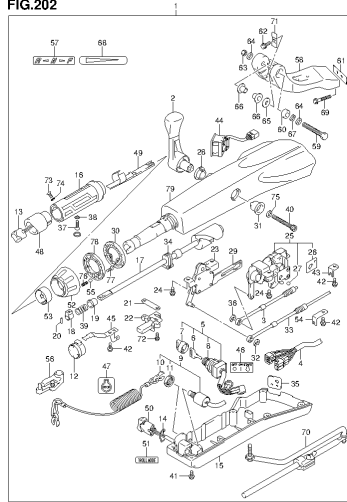
DFR00A_E01_014_200
OPT.SWITCH

FIG.201



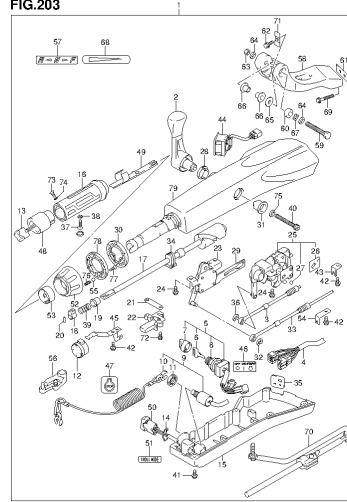
DFR00A_E01_014_201
OPT. SWITCH

FIG.202



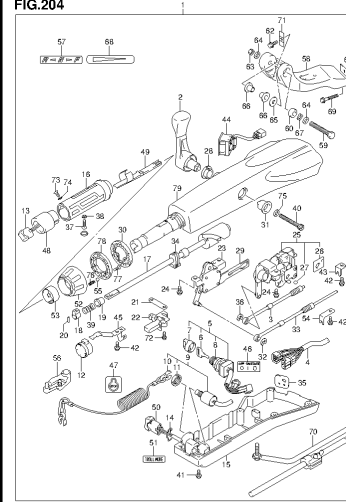
DFR00A_E01_014_202
OPT. FILTER HANDLE

FIG.203



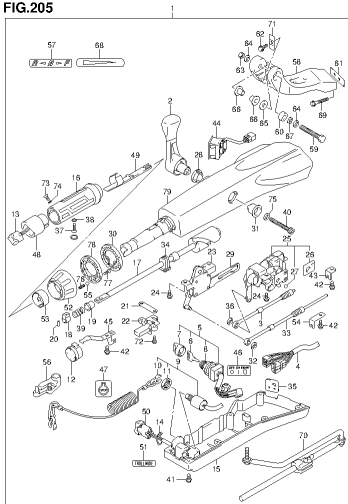
DFR00A_E01_014_203
OPT. FILTER HANDLE

FIG.204



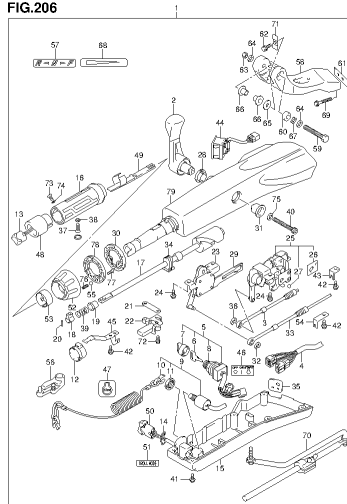
DFR00A_E01_014_204
OPT. FILTER HANDLE

FIG.205



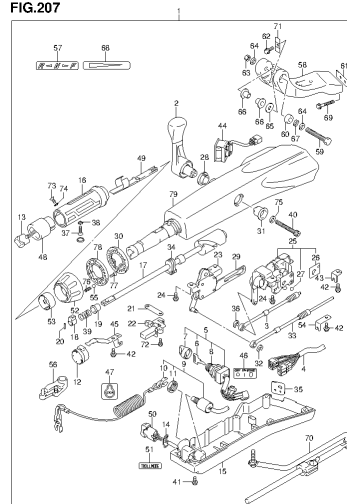
DFR00A_E01_014_205
OPT. FILTER HANDLE

FIG.206



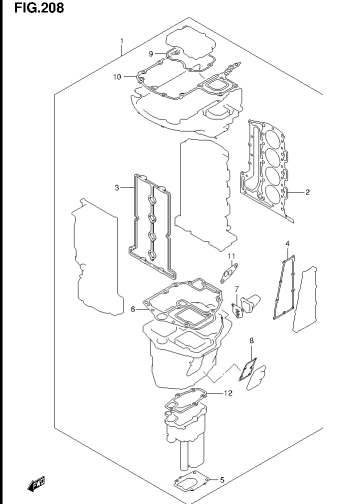
DFR00A_E01_014_206
OPT. FILTER HANDLE

FIG.207



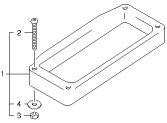
DFR00A_E01_014_207
OPT. FILTER HANDLE

FIG.208



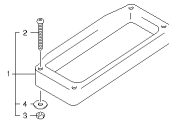
DFR00A_E01_014_208
OPT. GASKET SET

FIG.209



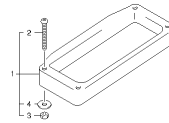
DFR0A_E01_014_209
OPT.REMOTE CONTROL SPACER

FIG.210



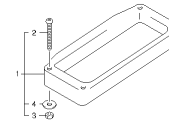
DFR0A_E01_014_210
OPT.REMOTE CONTROL SPACER

FIG.211



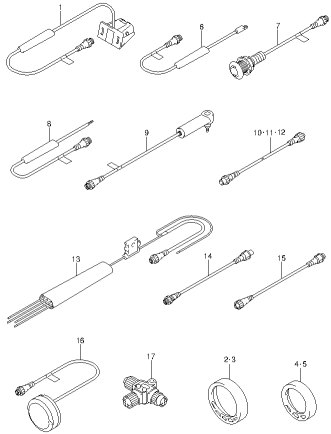
DFR0A_E01_014_211
OPT.REMOTE CONTROL SPACER

FIG.212



DFR0A_E01_014_212
OPT.REMOTE CONTROL SPACER

FIG.213



DFR0A_E01_014_213
OPT.LOWRANCE GAUGE

FIG.1

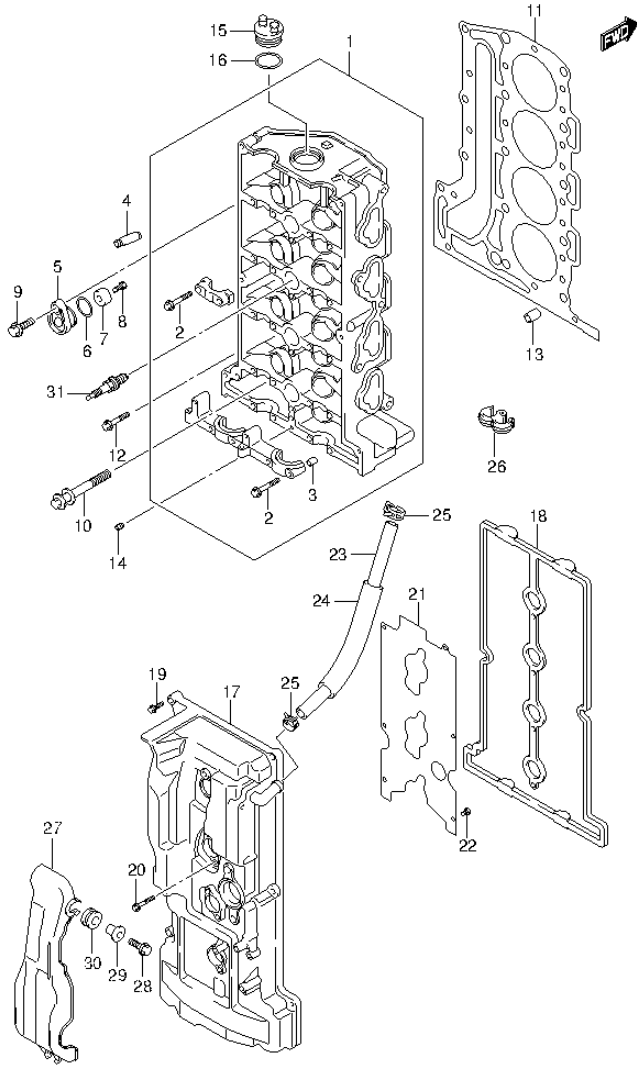


FIG.1 (1-B-2) CYLINDER HEAD

REF NO.	PART NO.	DESCRIPTION	Q'TY	REMARKS
1	11100-87L01	HEAD ASSY, CYLINDER	1	
2	09103-06266	.BOLT (6X40)	22	
3	09206-08001	.PIN (8X11)	18	
4	11115-73G01-001	GUIDE, VALVE (OS:0.5)	16	OPT
5	11261-93J00	COVER, PROTECTION ANODE	2	
6	09280-22019	O RING (D:1.9,ID:21.8)	2	
7	55321-87J00	ANODE, PROTECTION	2	
8	09103-06281	BOLT (6X14)	2	
9	01550-08207	BOLT	2	
10	11117-89J00	BOLT, CYLINDER HEAD	10	
11	11141-87L00	GASKET, CYLINDER HEAD	1	
12	01550-08407	BOLT	5	
13	04211-13189	PIN	2	
14	11112-84400	PLUG, OIL VENTURI	1	
15	11382-99E00	CAP, OIL FILLER	1	
16	09280-26006	O RING (D:3.1,ID:26.4)	1	
17	11170-87L11	COVER, CYLINDER HEAD	1	
18	11189-87L00	GASKET, CYLINDER HEAD COVER	1	
19	01547-06257	BOLT	8	
20	01547-06457	BOLT	4	
21	11173-87L00	PLATE, BREATHER	1	
22	02112-0612A	SCREW	6	
23	09355-11165-600	HOSE (11X16X600)	1	L:600->260
24	18498-95J00	PROTECTOR, BREATHER HOSE	1	
25	09401-15414	CLIP	2	
26	09408-00155	CLAMP	1	
27	11194-87L10	GUARD, FUEL HOSE	1	
28	01550-06207	BOLT	2	
29	09169-06062	WASHER	2	
30	09320-09016	CUSHION	2	
31	09482-00446	SPARK PLUG (DCPR6E)	4	NGK

FIG.2

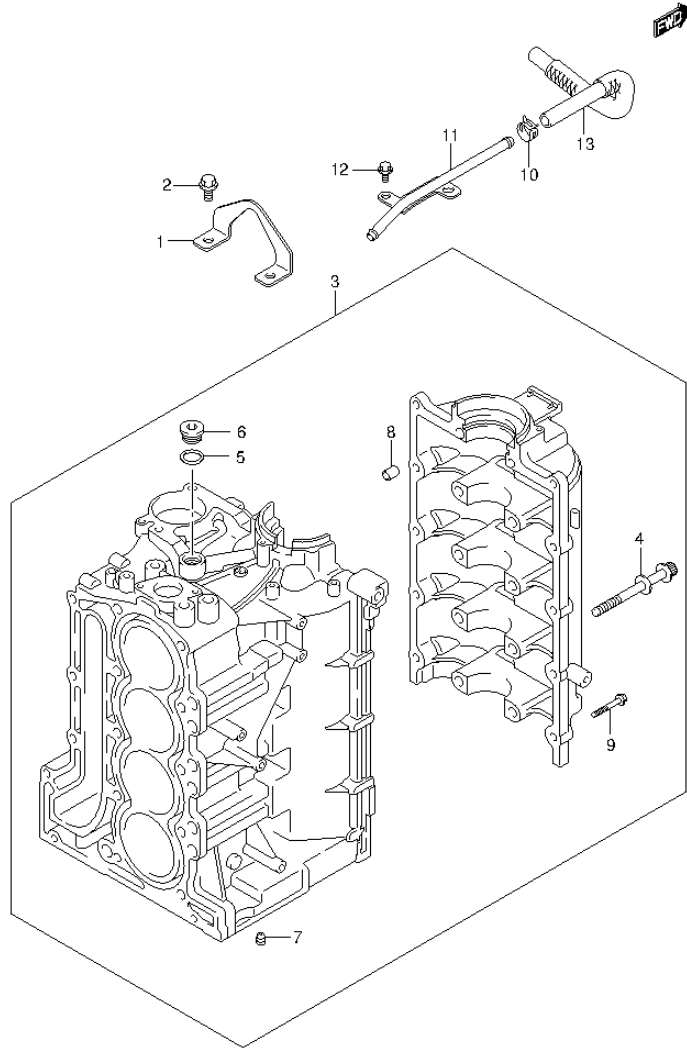


FIG.2 (1-B-3) CYLINDER BLOCK

REF NO.	PART NO.	DESCRIPTION	Q'TY	REMARKS
1	11291-87L00	HOOK, ENGINE	1	
2	01550-08207	BOLT	2	
3	11300-87L10	BLOCK ASSY, CYLINDER	1	
4	11117-90J10	.BOLT, CRANKCASE	10	
5	11216-77E00	.GASKET, OIL GALLERY PLUG	3	
6	09248-18011	.PLUG (18X8)	3	
7	11118-98J01	.PLUG, WATER	1	
8	09206-13019	.PIN (10.4X13X16)	5	
9	01550-08407	.BOLT	10	
10	09401-15414	CLIP	1	
11	11223-87L00	PIPE, BREATHER	1	
12	01550-06127	BOLT	2	
13	11224-87L00	HOSE, BREATHER NO.2	1	

FIG.3

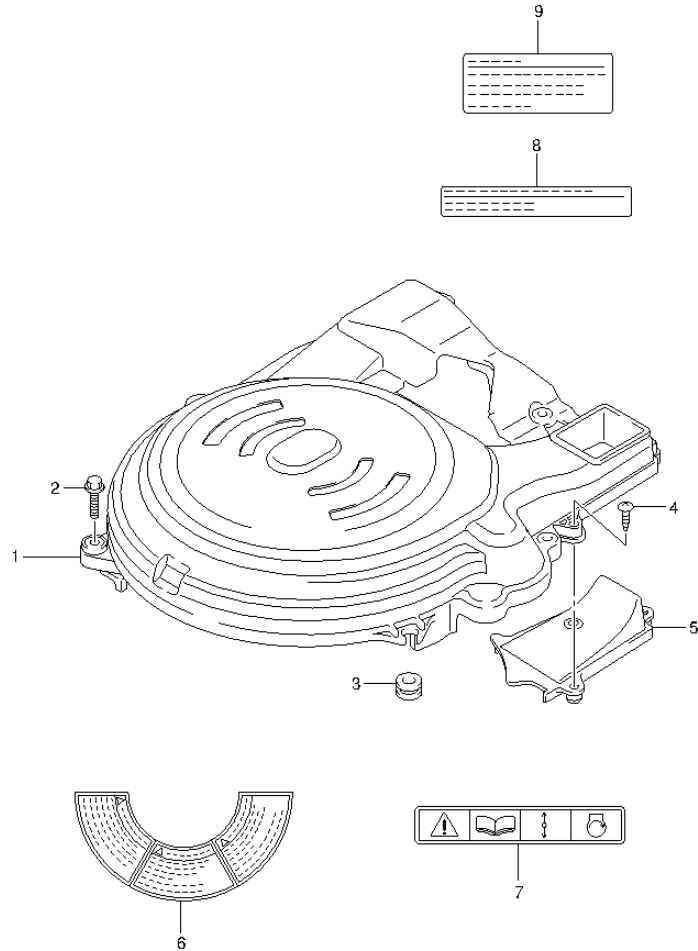


FIG.3 (1-B-4) RING GEAR COVER (DF70A E01)

REF NO.	PART NO.	DESCRIPTION	Q'TY	REMARKS
1	11510-87L02	COVER, RING GEAR	1	
2	01550-06307	BOLT	4	
3	09320-09016	CUSHION	1	
4	03542-06209	SCREW	2	
5	11514-87L00	PLATE, RING GEAR COVER	1	
6	61472-93E40	LABEL, MAG COVER	1	
7	69711-93E10	LABEL (S.I.G.P.)	1	
8	61493-96J00	LABEL, CLEARANCE	1	
9	61494-87L00	LABEL, OIL	1	

FIG.4

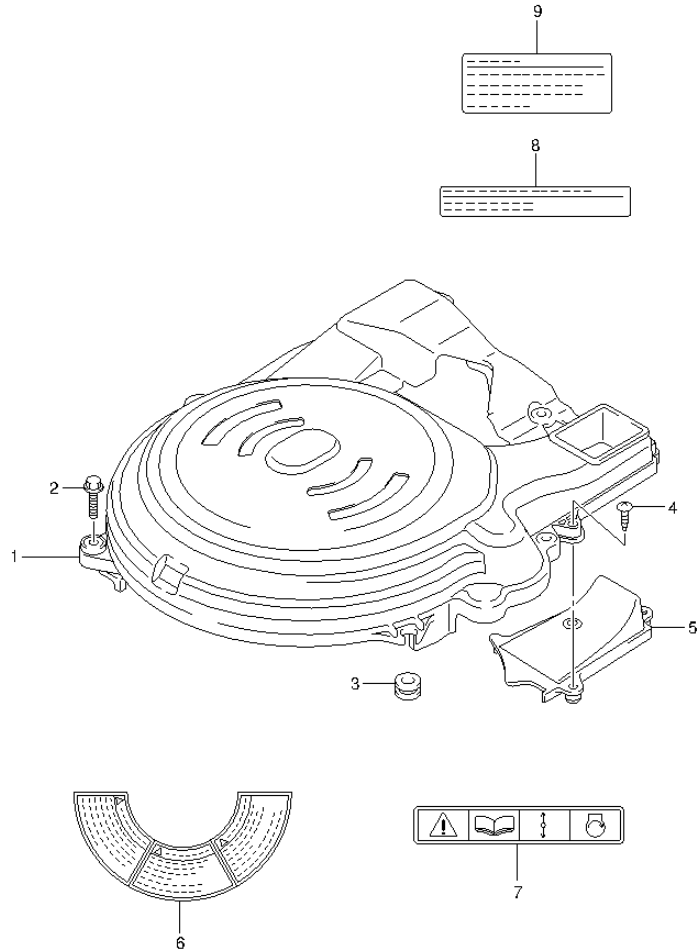


FIG.4 (1-B-5) RING GEAR COVER (DF70A E40)

REF NO.	PART NO.	DESCRIPTION	Q'TY	REMARKS
1	11510-87L02	COVER, RING GEAR	1	
2	01550-06307	BOLT	4	
3	09320-09016	CUSHION	1	
4	03542-06209	SCREW	2	
5	11514-87L00	PLATE, RING GEAR COVER	1	
6	61472-93E32	LABEL, MAG COVER	1	
7	69711-93E10	LABEL (S.I.G.P.)	1	
8	61493-96J00	LABEL, CLEARANCE	1	
9	61494-87L00	LABEL, OIL	1	

FIG.5

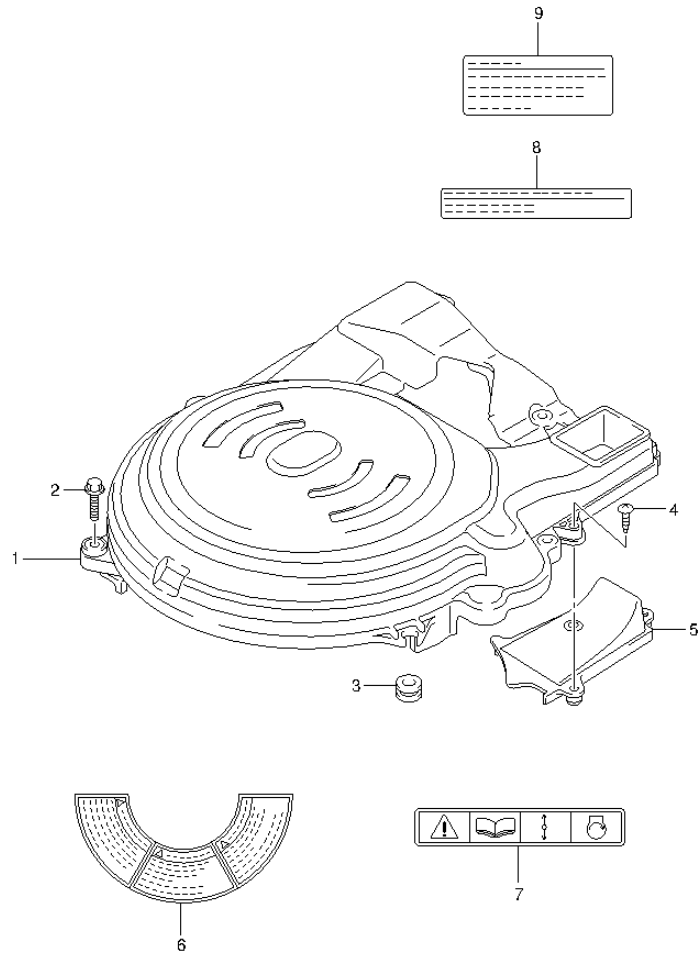


FIG.5 (1-B-6) RING GEAR COVER (DF70ATH E01)

REF NO.	PART NO.	DESCRIPTION	Q'TY	REMARKS
1	11510-87L02	COVER, RING GEAR	1	
2	01550-06307	BOLT	4	
3	09320-09016	CUSHION	1	
4	03542-06209	SCREW	2	
5	11514-87L00	PLATE, RING GEAR COVER	1	
6	61472-93E40	LABEL, MAG COVER	1	
7	69711-93E10	LABEL (S.I.G.P.)	1	
8	61493-96J00	LABEL, CLEARANCE	1	
9	61494-87L00	LABEL, OIL	1	

FIG.6

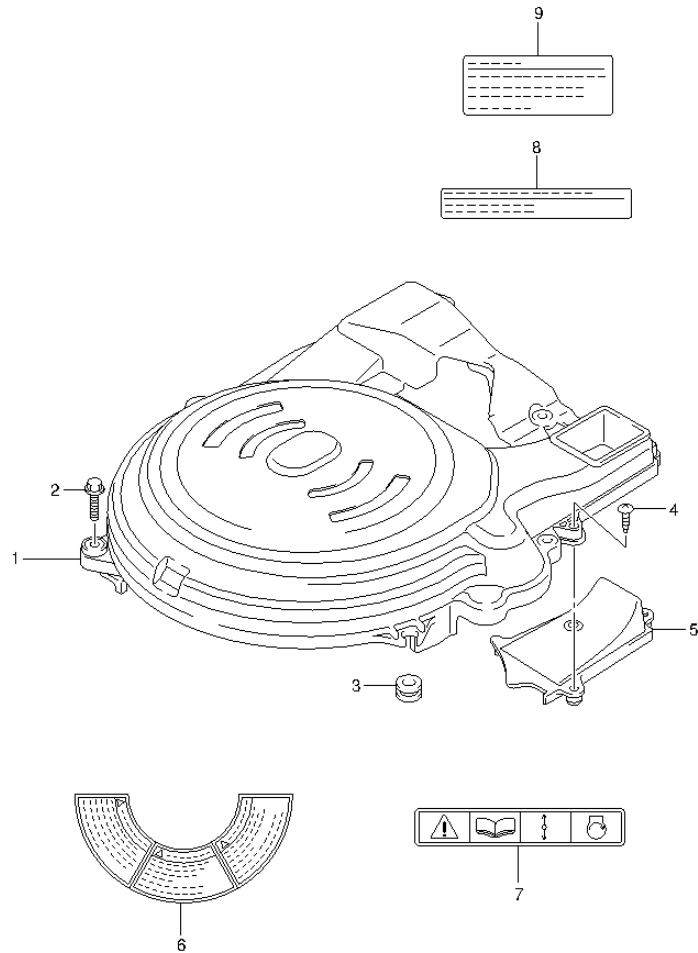


FIG.6 (1-B-7) RING GEAR COVER (DF70ATH E40)

REF NO.	PART NO.	DESCRIPTION	Q'TY	REMARKS
1	11510-87L02	COVER, RING GEAR	1	
2	01550-06307	BOLT	4	
3	09320-09016	CUSHION	1	
4	03542-06209	SCREW	2	
5	11514-87L00	PLATE, RING GEAR COVER	1	
6	61472-93E32	LABEL, MAG COVER	1	
7	69711-93E10	LABEL (S.I.G.P.)	1	
8	61493-96J00	LABEL, CLEARANCE	1	
9	61494-87L00	LABEL, OIL	1	

FIG.7

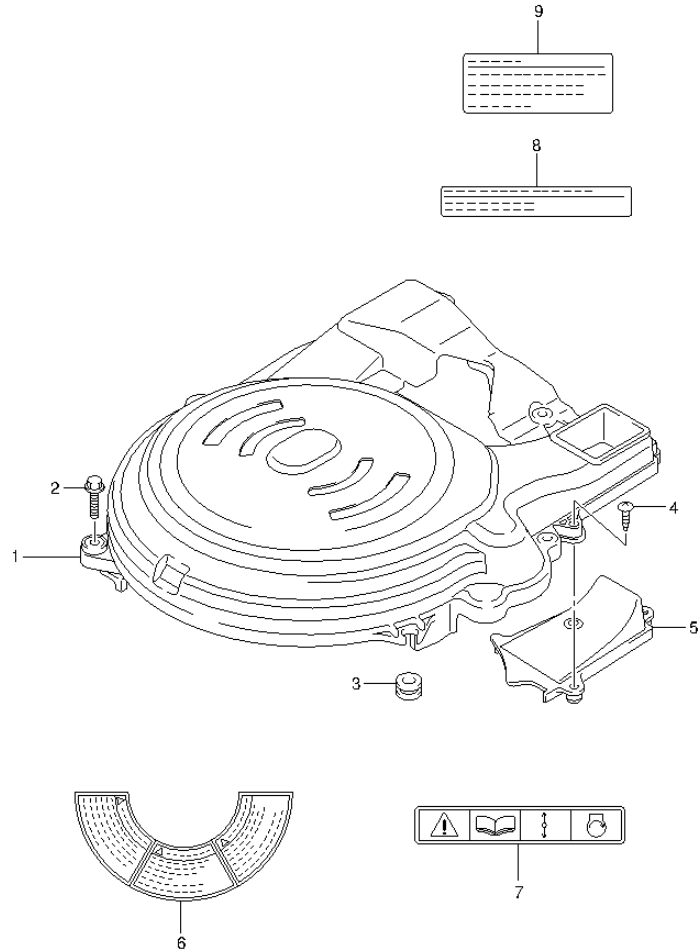


FIG.7 (1-B-8) RING GEAR COVER (DF80A E01)

REF NO.	PART NO.	DESCRIPTION	Q'TY	REMARKS
1	11510-87L02	COVER, RING GEAR	1	
2	01550-06307	BOLT	4	
3	09320-09016	CUSHION	1	
4	03542-06209	SCREW	2	
5	11514-87L00	PLATE, RING GEAR COVER	1	
6	61472-93E40	LABEL, MAG COVER	1	
7	69711-93E10	LABEL (S.I.G.P.)	1	
8	61493-96J00	LABEL, CLEARANCE	1	
9	61494-87L00	LABEL, OIL	1	

FIG.8

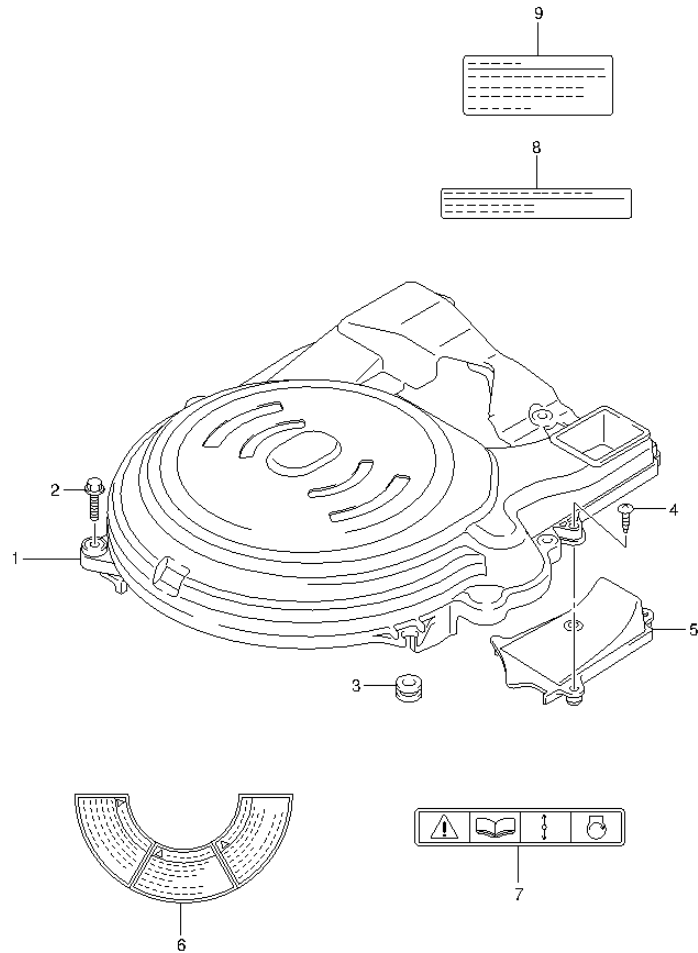


FIG.8 (1-B-9) RING GEAR COVER (DF80A E40)

REF NO.	PART NO.	DESCRIPTION	Q'TY	REMARKS
1	11510-87L02	COVER, RING GEAR	1	
2	01550-06307	BOLT	4	
3	09320-09016	CUSHION	1	
4	03542-06209	SCREW	2	
5	11514-87L00	PLATE, RING GEAR COVER	1	
6	61472-93E32	LABEL, MAG COVER	1	
7	69711-93E10	LABEL (S.I.G.P.)	1	
8	61493-96J00	LABEL, CLEARANCE	1	
9	61494-87L00	LABEL, OIL	1	

FIG.9

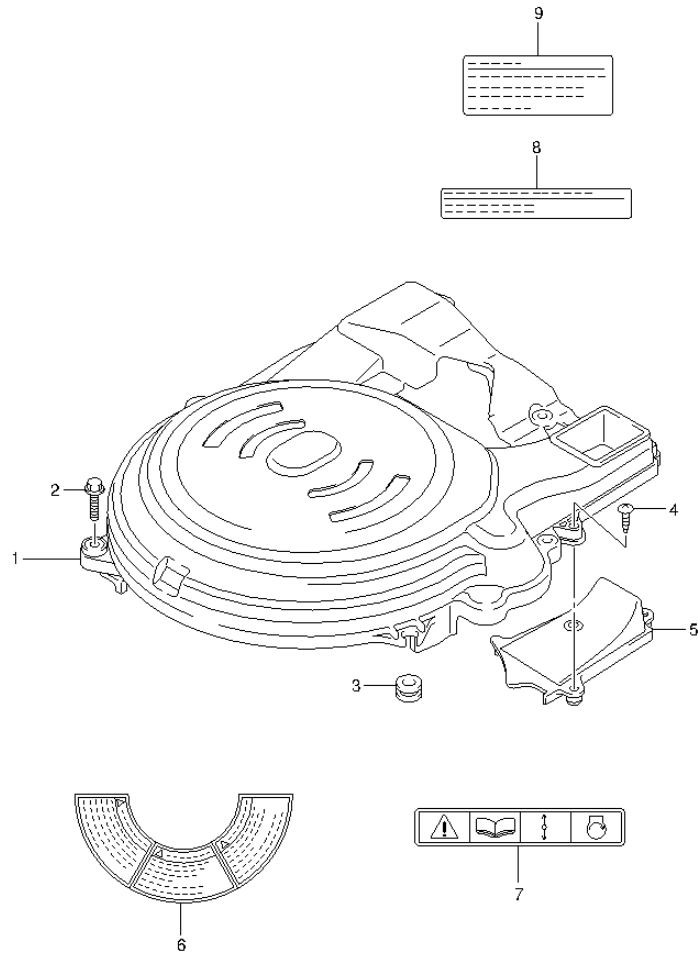


FIG.9 (1-B-10) RING GEAR COVER (DF90A E01)

REF NO.	PART NO.	DESCRIPTION	Q'TY	REMARKS
1	11510-87L02	COVER, RING GEAR	1	
2	01550-06307	BOLT	4	
3	09320-09016	CUSHION	1	
4	03542-06209	SCREW	2	
5	11514-87L00	PLATE, RING GEAR COVER	1	
6	61472-93E40	LABEL, MAG COVER	1	
7	69711-93E10	LABEL (S.I.G.P.)	1	
8	61493-96J00	LABEL, CLEARANCE	1	
9	61494-87L00	LABEL, OIL	1	

FIG.10

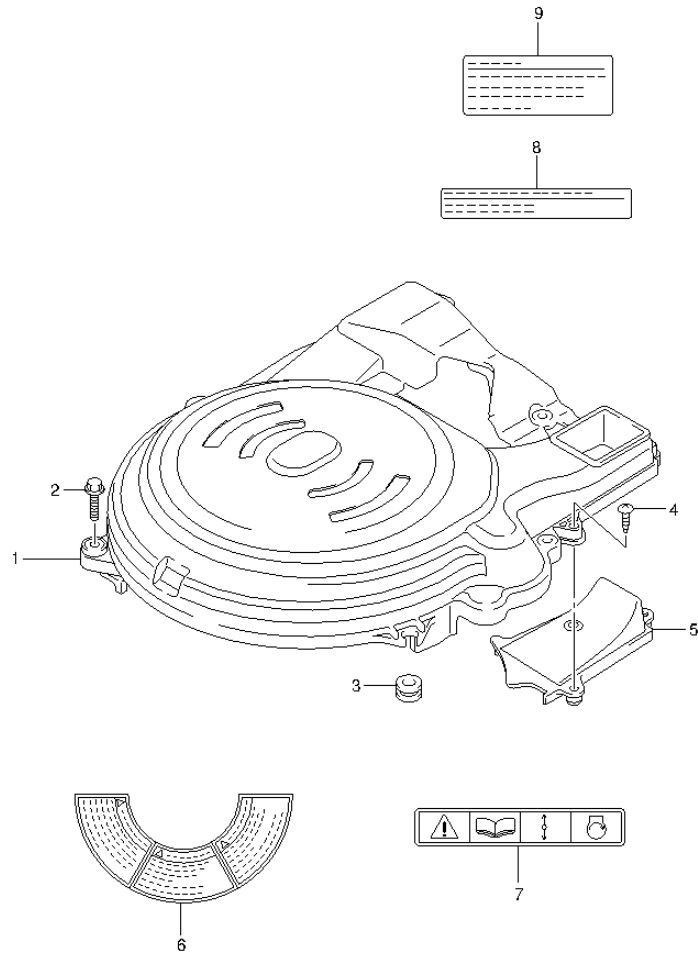


FIG.10 (1-B-11) RING GEAR COVER (DF90A E40)

REF NO.	PART NO.	DESCRIPTION	Q'TY	REMARKS
1	11510-87L02	COVER, RING GEAR	1	
2	01550-06307	BOLT	4	
3	09320-09016	CUSHION	1	
4	03542-06209	SCREW	2	
5	11514-87L00	PLATE, RING GEAR COVER	1	
6	61472-93E32	LABEL, MAG COVER	1	
7	69711-93E10	LABEL (S.I.G.P.)	1	
8	61493-96J00	LABEL, CLEARANCE	1	
9	61494-87L00	LABEL, OIL	1	

FIG.11

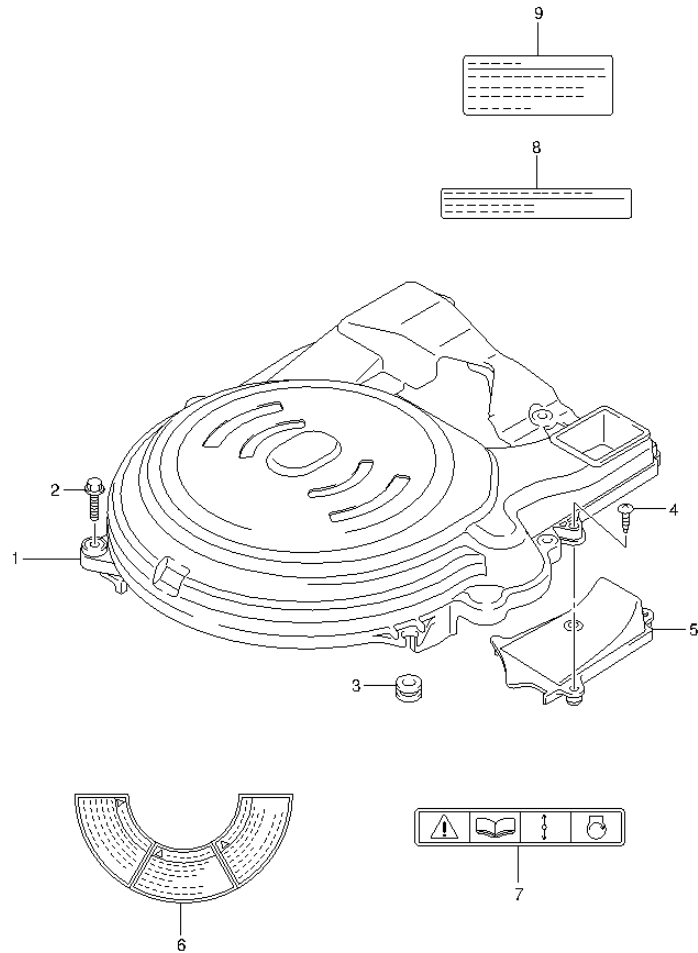


FIG.11 (1-B-12) RING GEAR COVER (DF90ATH E01)

REF NO.	PART NO.	DESCRIPTION	Q'TY	REMARKS
1	11510-87L02	COVER, RING GEAR	1	
2	01550-06307	BOLT	4	
3	09320-09016	CUSHION	1	
4	03542-06209	SCREW	2	
5	11514-87L00	PLATE, RING GEAR COVER	1	
6	61472-93E40	LABEL, MAG COVER	1	
7	69711-93E10	LABEL (S.I.G.P.)	1	
8	61493-96J00	LABEL, CLEARANCE	1	
9	61494-87L00	LABEL, OIL	1	

FIG.12

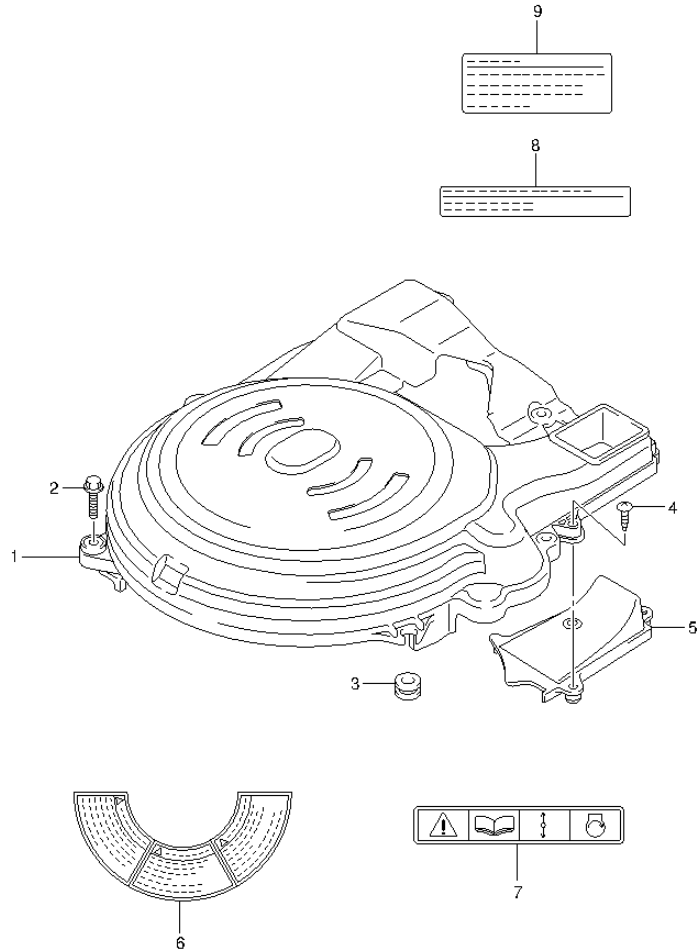


FIG.12 (1-B-13) RING GEAR COVER (DF90ATH E40)

REF NO.	PART NO.	DESCRIPTION	Q'TY	REMARKS
1	11510-87L02	COVER, RING GEAR	1	
2	01550-06307	BOLT	4	
3	09320-09016	CUSHION	1	
4	03542-06209	SCREW	2	
5	11514-87L00	PLATE, RING GEAR COVER	1	
6	61472-93E32	LABEL, MAG COVER	1	
7	69711-93E10	LABEL (S.I.G.P.)	1	
8	61493-96J00	LABEL, CLEARANCE	1	
9	61494-87L00	LABEL, OIL	1	

FIG.13

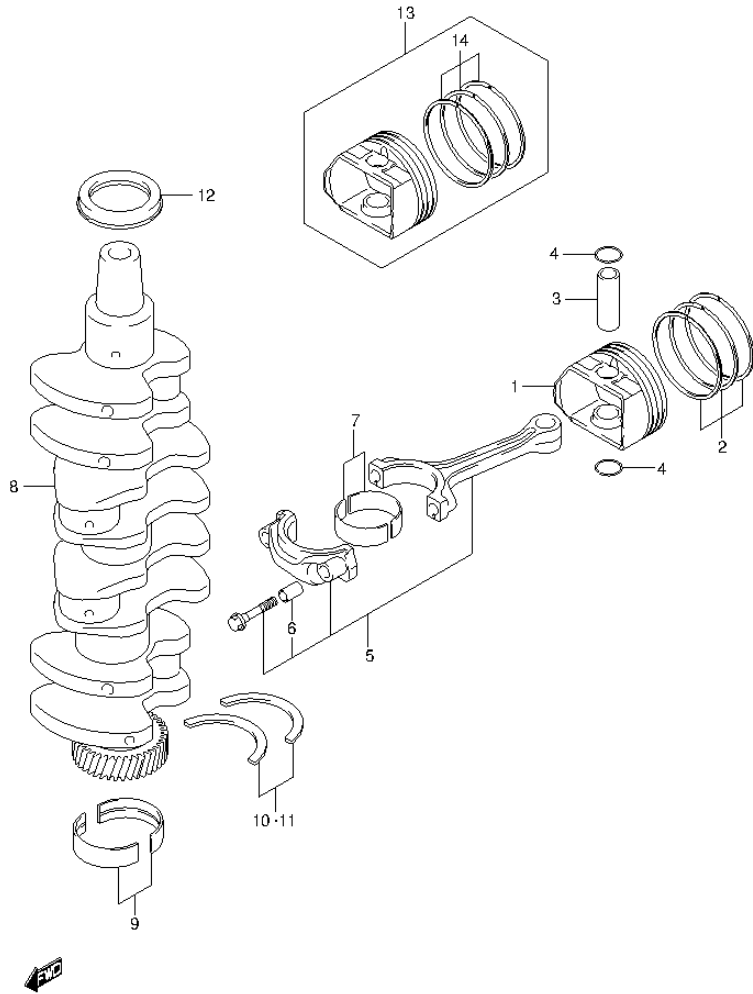


FIG.13 (1-B-14) CRANKSHAFT

REF NO.	PART NO.	DESCRIPTION	Q'TY	REMARKS
1	12111-87L00	PISTON	4	
2	12140-87L01	RING SET, PISTON	4	
3	12151-54A50	PIN, PISTON	4	
4	09381-18002	CIRCLIP	8	
5	12160-87L10	CONNROD ASSY	4	
6	04221-04089	.PIN	8	
7-1	12100-69830-0A0	BEARING SET, CONNROD	4	GREEN
7-2	12100-69830-0B0	BEARING SET, CONNROD	4	BLACK
7-3	12100-69830-0C0	BEARING SET, CONNROD	4	NON
7-4	12100-69830-0D0	BEARING SET, CONNROD	4	YELLOW
7-5	12100-69830-0E0	BEARING SET, CONNROD	4	BLUE
7-6	12100-69830-025	BEARING SET, CONNROD (US:0.25)	4	OPT
8	12220-87L00	CRANKSHAFT	1	
9-1	12340-57K02-0C0	BEARING SET, CRANKSHAFT	5	GREEN
9-2	12340-57K02-0D0	BEARING SET, CRANKSHAFT	5	BLACK
9-3	12340-57K02-0E0	BEARING SET, CRANKSHAFT	5	NON
9-4	12340-57K02-0A0	BEARING SET, CRANKSHAFT	5	PURPLE
9-5	12340-57K02-0B0	BEARING SET, CRANKSHAFT	5	BROWN
9-6	12300-57820-0AA	BEARING SET, CRANKSHAFT (RED/PURPLE) (US:0.25)	5	OPT
9-7	12300-57820-0BA	BEARING SET, CRANKSHAFT (RED/BROWN) (US:0.25)	5	OPT
9-8	12300-57820-0CA	BEARING SET, CRANKSHAFT (RED/GREEN) (US:0.25)	5	OPT
9-9	12300-57820-0DA	BEARING SET, CRANKSHAFT (RED/BLACK) (US:0.25)	5	OPT
9-10	12300-57820-0EA	BEARING SET, CRANKSHAFT (RED) (US:0.25)	5	OPT
10	12300-78890	BEARING SET, CRANK THRUST	1	
11	12300-78890-012	BEARING SET, CRANK THRUST (OS:0.125)	1	OPT
12	09283-52004	OIL SEAL (52X70X10)	1	
13	12100-87L01-050	PISTON SET (OS:0.50)	4	OPT
14	12140-87L01-050	.RING SET, PISTON (OS:0.50)	4	OPT

FIG.14

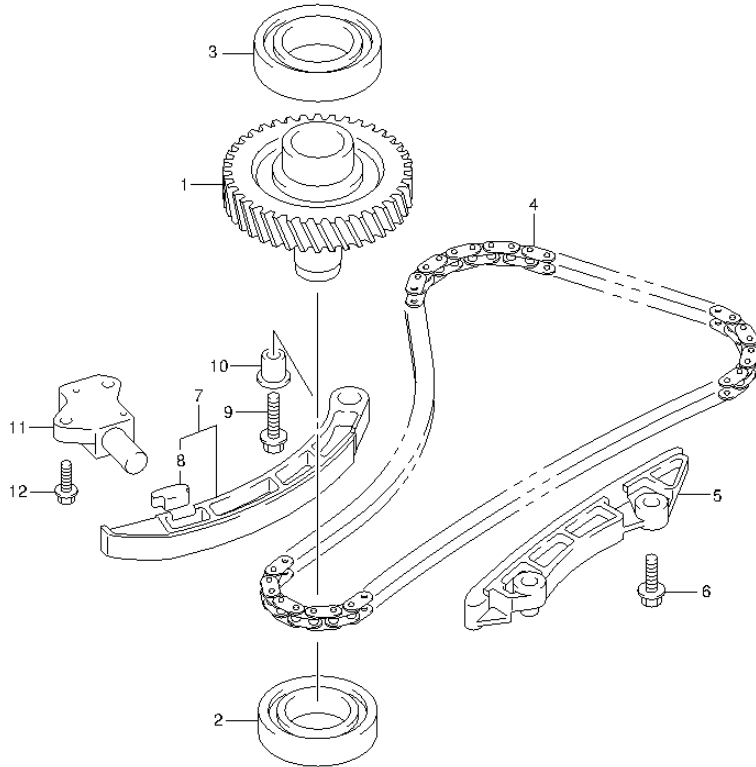


FIG.14 (1-B-15) TIMING CHAIN

REF NO.	PART NO.	DESCRIPTION	Q'TY	REMARKS
1	12730-87L00	GEAR, DRIVEN (NT:36)	1	
2	09262-32008	BEARING (32X58X13)	1	
3	09262-35070	BEARING (35X62X14)	1	
4	12761-87L00	CHAIN, TIMING	1	
5	12771-87L00	GUIDE, TIMING CHAIN	1	
6	01550-0825A	BOLT	2	
7	12810-87L00	TENSIONER ASSY, TIMING CHAIN	1	
8	12813-73G00	.PAD, TIMING CHAIN TENSIONER	1	
9	01550-0835A	BOLT	1	
10	12812-90J00	SPACER, TIMING CHAIN TENSIONER	1	
11	12831-93J01	ADJUSTER ASSY, TENSIONER	1	
12	01550-0620A	BOLT	2	



FIG.15

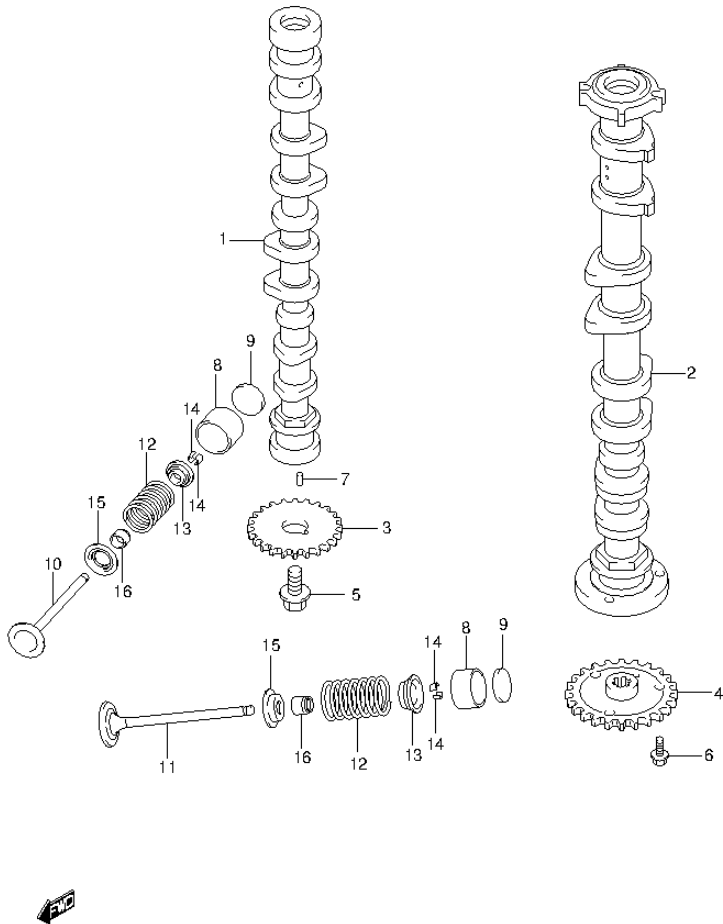


FIG.15 (1-C-2) CAMSHAFT (DF70A E01)

REF NO.	PART NO.	DESCRIPTION	Q'TY	REMARKS
1	12701-87L20	CAMSHAFT, INTAKE	1	
2	12705-87L00	CAMSHAFT, EXHAUST	1	
3	12741-90J01	SPROCKET, CAMSHAFT TIMING	1	
		(NT:29)		
4	12748-87L00	SPROCKET, EXH CAMSHAFT (NT:29)	1	
5	12749-93J00	BOLT, CAMSHAFT	1	
6	01550-0612A	BOLT	3	
7	04221-05109	PIN	2	
8	12891-69J00	TAPPET	16	
9-1	12892-69J00-228	SHIM, TAPPET	16	
9-2	12892-69J00-230	SHIM, TAPPET	16	
9-3	12892-69J00-232	SHIM, TAPPET	16	
9-4	12892-69J00-234	SHIM, TAPPET	16	
9-5	12892-69J00-236	SHIM, TAPPET	16	
9-6	12892-69J00-238	SHIM, TAPPET	16	
9-7	12892-69J00-240	SHIM, TAPPET	16	
9-8	12892-69J00-242	SHIM, TAPPET	16	
9-9	12892-69J00-244	SHIM, TAPPET	16	
9-10	12892-69J00-246	SHIM, TAPPET	16	
9-11	12892-69J00-248	SHIM, TAPPET	16	
9-12	12892-69J00-250	SHIM, TAPPET	16	
9-13	12892-69J00-252	SHIM, TAPPET	16	
9-14	12892-69J00-254	SHIM, TAPPET	16	
9-15	12892-69J00-256	SHIM, TAPPET	16	
9-16	12892-69J00-258	SHIM, TAPPET	16	
9-17	12892-69J00-260	SHIM, TAPPET	16	
9-18	12892-69J00-262	SHIM, TAPPET	16	
9-19	12892-69J00-264	SHIM, TAPPET	16	
9-20	12892-69J00-266	SHIM, TAPPET	16	
9-21	12892-69J00-268	SHIM, TAPPET	16	
9-22	12892-69J00-270	SHIM, TAPPET	16	
9-23	12892-69J00-272	SHIM, TAPPET	16	
10	12911-87L00	VALVE, INTAKE	8	
11	12915-87L50	VALVE, EXHAUST	8	
12	12921-87J10	SPRING, VALVE	16	

FIG.15

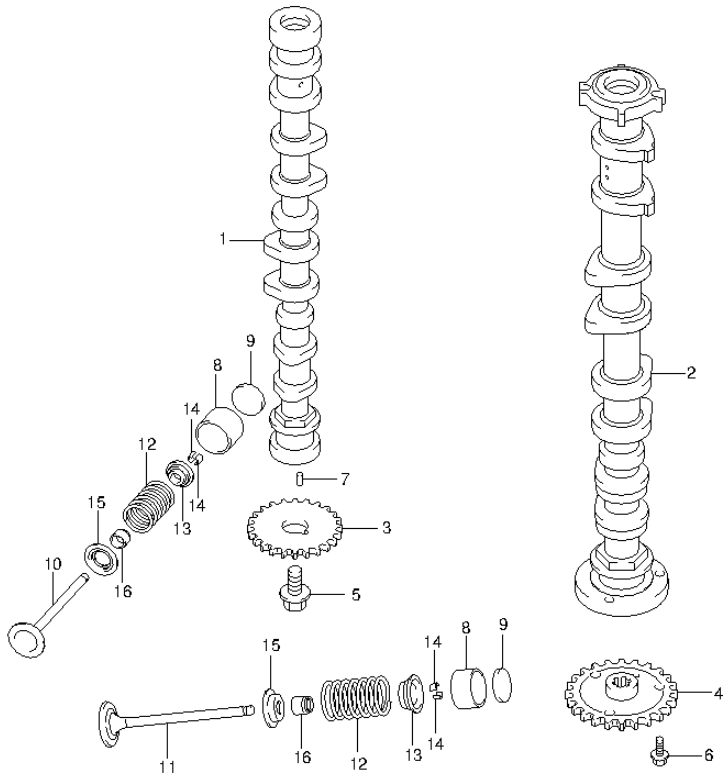


FIG.15 (1-C-3) CAMSHAFT (DF70A E01)

REF NO.	PART NO.	DESCRIPTION	Q'TY	REMARKS
13	12931-78G00	RETAINER, VALVE SPRING	16	
14	12932-24400	COTTER, VALVE	32	
15	12933-51E00	SEAT, VALVE SPRING	16	
16	09289-05012	OIL SEAL (5.5X11.5X9.3)	16	



FIG.16

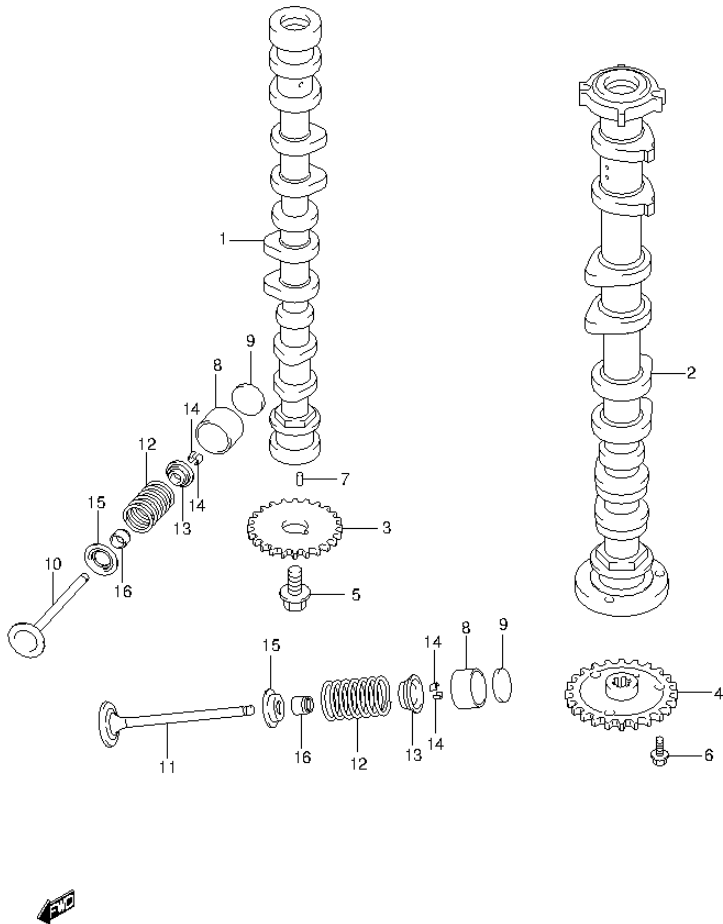


FIG.16 (1-C-4) CAMSHAFT (DF70A E40)

REF NO.	PART NO.	DESCRIPTION	Q'TY	REMARKS
1	12701-87L20	CAMSHAFT, INTAKE	1	
2	12705-87L00	CAMSHAFT, EXHAUST	1	
3	12741-90J01	SPROCKET, CAMSHAFT TIMING	1	
		(NT:29)		
4	12748-87L00	SPROCKET, EXH CAMSHAFT (NT:29)	1	
5	12749-93J00	BOLT, CAMSHAFT	1	
6	01550-0612A	BOLT	3	
7	04221-05109	PIN	2	
8	12891-69J00	TAPPET	16	
9-1	12892-69J00-228	SHIM, TAPPET	16	
9-2	12892-69J00-230	SHIM, TAPPET	16	
9-3	12892-69J00-232	SHIM, TAPPET	16	
9-4	12892-69J00-234	SHIM, TAPPET	16	
9-5	12892-69J00-236	SHIM, TAPPET	16	
9-6	12892-69J00-238	SHIM, TAPPET	16	
9-7	12892-69J00-240	SHIM, TAPPET	16	
9-8	12892-69J00-242	SHIM, TAPPET	16	
9-9	12892-69J00-244	SHIM, TAPPET	16	
9-10	12892-69J00-246	SHIM, TAPPET	16	
9-11	12892-69J00-248	SHIM, TAPPET	16	
9-12	12892-69J00-250	SHIM, TAPPET	16	
9-13	12892-69J00-252	SHIM, TAPPET	16	
9-14	12892-69J00-254	SHIM, TAPPET	16	
9-15	12892-69J00-256	SHIM, TAPPET	16	
9-16	12892-69J00-258	SHIM, TAPPET	16	
9-17	12892-69J00-260	SHIM, TAPPET	16	
9-18	12892-69J00-262	SHIM, TAPPET	16	
9-19	12892-69J00-264	SHIM, TAPPET	16	
9-20	12892-69J00-266	SHIM, TAPPET	16	
9-21	12892-69J00-268	SHIM, TAPPET	16	
9-22	12892-69J00-270	SHIM, TAPPET	16	
9-23	12892-69J00-272	SHIM, TAPPET	16	
10	12911-87L00	VALVE, INTAKE	8	
11	12915-87L50	VALVE, EXHAUST	8	
12	12921-87J10	SPRING, VALVE	16	

FIG.16

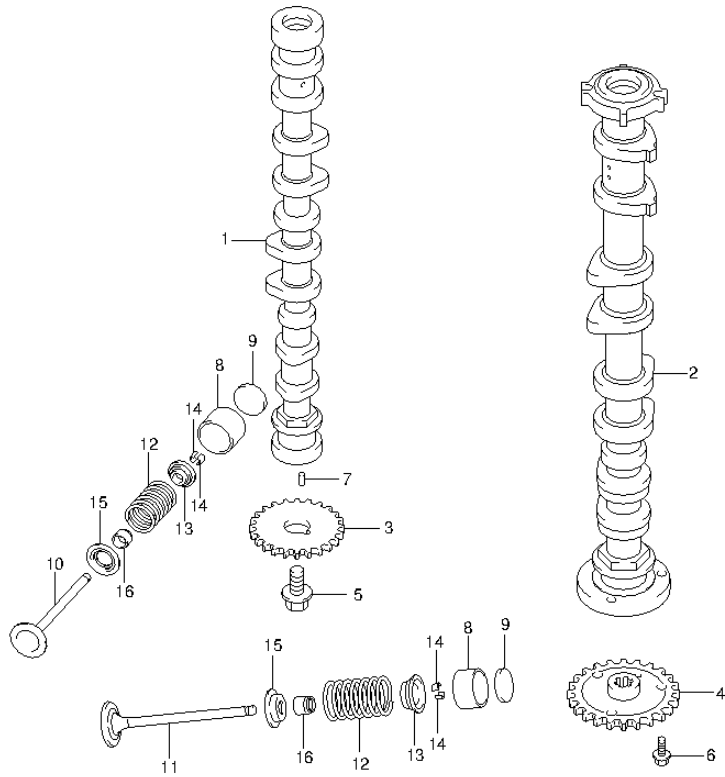


FIG.16 (1-C-5) CAMSHAFT (DF70A E40)

REF NO.	PART NO.	DESCRIPTION	Q'TY	REMARKS
13	12931-78G00	RETAINER, VALVE SPRING	16	
14	12932-24400	COTTER, VALVE	32	
15	12933-51E00	SEAT, VALVE SPRING	16	
16	09289-05012	OIL SEAL (5.5X11.5X9.3)	16	



FIG.17

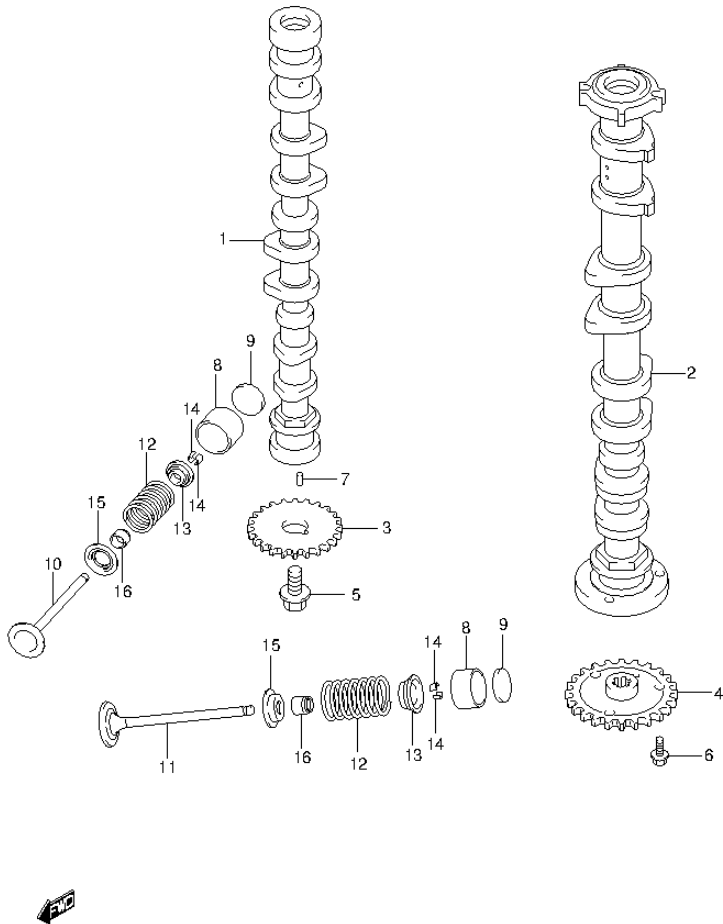


FIG.17 (1-C-6) CAMSHAFT (DF70ATH E01)

REF NO.	PART NO.	DESCRIPTION	Q'TY	REMARKS
1	12701-87L20	CAMSHAFT, INTAKE	1	
2	12705-87L00	CAMSHAFT, EXHAUST	1	
3	12741-90J01	SPROCKET, CAMSHAFT TIMING	1	
		(NT:29)		
4	12748-87L00	SPROCKET, EXH CAMSHAFT (NT:29)	1	
5	12749-93J00	BOLT, CAMSHAFT	1	
6	01550-0612A	BOLT	3	
7	04221-05109	PIN	2	
8	12891-69J00	TAPPET	16	
9-1	12892-69J00-228	SHIM, TAPPET	16	
9-2	12892-69J00-230	SHIM, TAPPET	16	
9-3	12892-69J00-232	SHIM, TAPPET	16	
9-4	12892-69J00-234	SHIM, TAPPET	16	
9-5	12892-69J00-236	SHIM, TAPPET	16	
9-6	12892-69J00-238	SHIM, TAPPET	16	
9-7	12892-69J00-240	SHIM, TAPPET	16	
9-8	12892-69J00-242	SHIM, TAPPET	16	
9-9	12892-69J00-244	SHIM, TAPPET	16	
9-10	12892-69J00-246	SHIM, TAPPET	16	
9-11	12892-69J00-248	SHIM, TAPPET	16	
9-12	12892-69J00-250	SHIM, TAPPET	16	
9-13	12892-69J00-252	SHIM, TAPPET	16	
9-14	12892-69J00-254	SHIM, TAPPET	16	
9-15	12892-69J00-256	SHIM, TAPPET	16	
9-16	12892-69J00-258	SHIM, TAPPET	16	
9-17	12892-69J00-260	SHIM, TAPPET	16	
9-18	12892-69J00-262	SHIM, TAPPET	16	
9-19	12892-69J00-264	SHIM, TAPPET	16	
9-20	12892-69J00-266	SHIM, TAPPET	16	
9-21	12892-69J00-268	SHIM, TAPPET	16	
9-22	12892-69J00-270	SHIM, TAPPET	16	
9-23	12892-69J00-272	SHIM, TAPPET	16	
10	12911-87L00	VALVE, INTAKE	8	
11	12915-87L50	VALVE, EXHAUST	8	
12	12921-87J10	SPRING, VALVE	16	

FIG.17

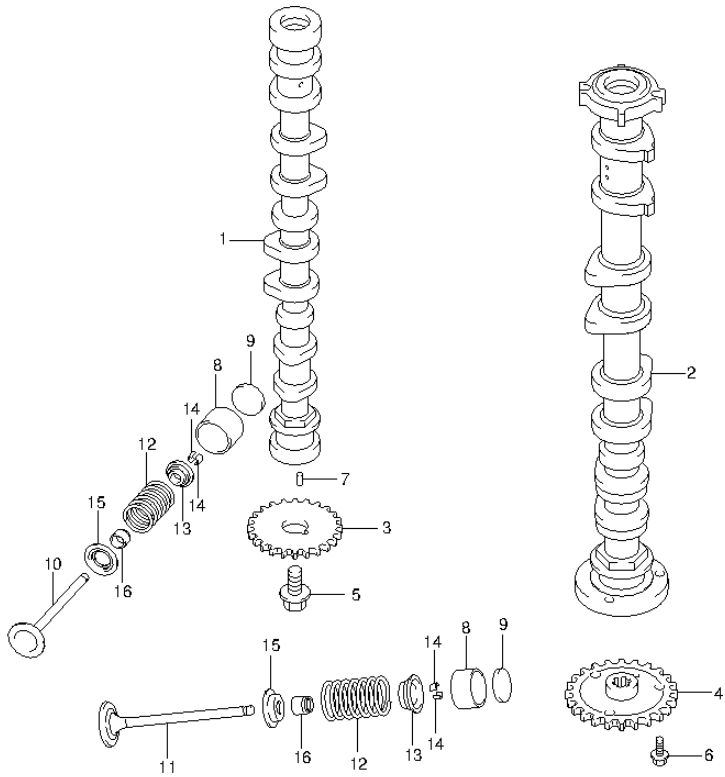


FIG.17 (1-C-7) CAMSHAFT (DF70ATH E01)

REF NO.	PART NO.	DESCRIPTION	Q'TY	REMARKS
13	12931-78G00	RETAINER, VALVE SPRING	16	
14	12932-24400	COTTER, VALVE	32	
15	12933-51E00	SEAT, VALVE SPRING	16	
16	09289-05012	OIL SEAL (5.5X11.5X9.3)	16	



FIG.18

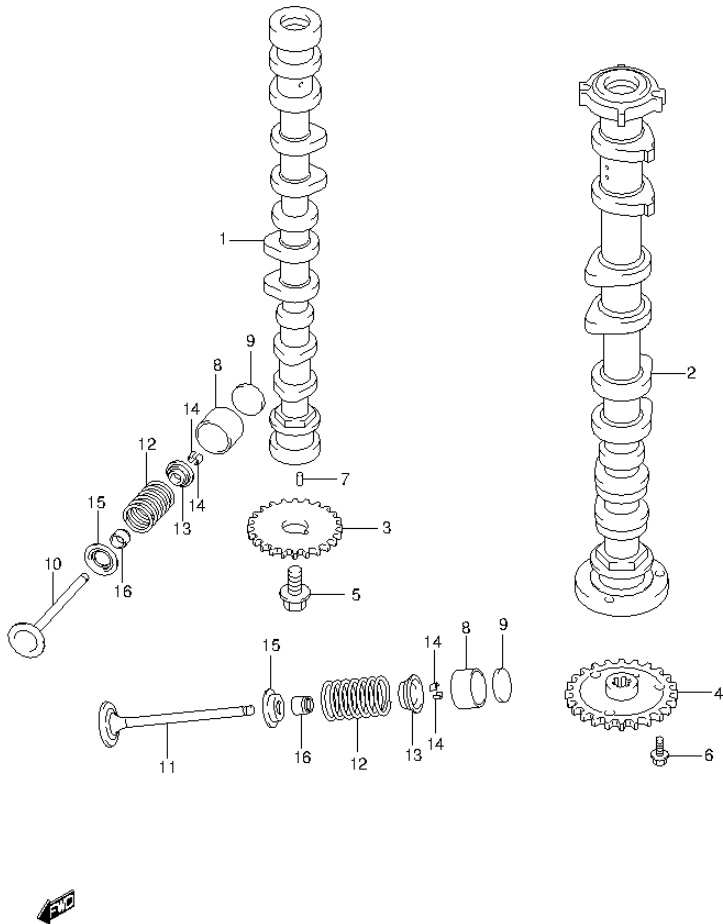


FIG.18 (1-C-8) CAMSHAFT (DF70ATH E40)

REF NO.	PART NO.	DESCRIPTION	Q'TY	REMARKS
1	12701-87L20	CAMSHAFT, INTAKE	1	
2	12705-87L00	CAMSHAFT, EXHAUST	1	
3	12741-90J01	SPROCKET, CAMSHAFT TIMING	1	
		(NT:29)		
4	12748-87L00	SPROCKET, EXH CAMSHAFT (NT:29)	1	
5	12749-93J00	BOLT, CAMSHAFT	1	
6	01550-0612A	BOLT	3	
7	04221-05109	PIN	2	
8	12891-69J00	TAPPET	16	
9-1	12892-69J00-228	SHIM, TAPPET	16	
9-2	12892-69J00-230	SHIM, TAPPET	16	
9-3	12892-69J00-232	SHIM, TAPPET	16	
9-4	12892-69J00-234	SHIM, TAPPET	16	
9-5	12892-69J00-236	SHIM, TAPPET	16	
9-6	12892-69J00-238	SHIM, TAPPET	16	
9-7	12892-69J00-240	SHIM, TAPPET	16	
9-8	12892-69J00-242	SHIM, TAPPET	16	
9-9	12892-69J00-244	SHIM, TAPPET	16	
9-10	12892-69J00-246	SHIM, TAPPET	16	
9-11	12892-69J00-248	SHIM, TAPPET	16	
9-12	12892-69J00-250	SHIM, TAPPET	16	
9-13	12892-69J00-252	SHIM, TAPPET	16	
9-14	12892-69J00-254	SHIM, TAPPET	16	
9-15	12892-69J00-256	SHIM, TAPPET	16	
9-16	12892-69J00-258	SHIM, TAPPET	16	
9-17	12892-69J00-260	SHIM, TAPPET	16	
9-18	12892-69J00-262	SHIM, TAPPET	16	
9-19	12892-69J00-264	SHIM, TAPPET	16	
9-20	12892-69J00-266	SHIM, TAPPET	16	
9-21	12892-69J00-268	SHIM, TAPPET	16	
9-22	12892-69J00-270	SHIM, TAPPET	16	
9-23	12892-69J00-272	SHIM, TAPPET	16	
10	12911-87L00	VALVE, INTAKE	8	
11	12915-87L50	VALVE, EXHAUST	8	
12	12921-87J10	SPRING, VALVE	16	

FIG.18

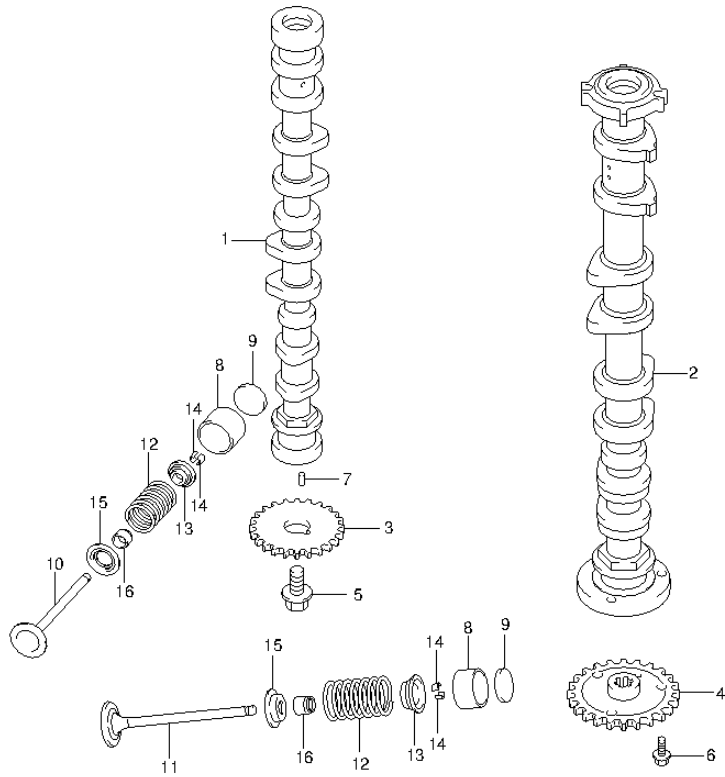


FIG.18 (1-C-9) CAMSHAFT (DF70ATH E40)

REF NO.	PART NO.	DESCRIPTION	Q'TY	REMARKS
13	12931-78G00	RETAINER, VALVE SPRING	16	
14	12932-24400	COTTER, VALVE	32	
15	12933-51E00	SEAT, VALVE SPRING	16	
16	09289-05012	OIL SEAL (5.5X11.5X9.3)	16	

FIG.19

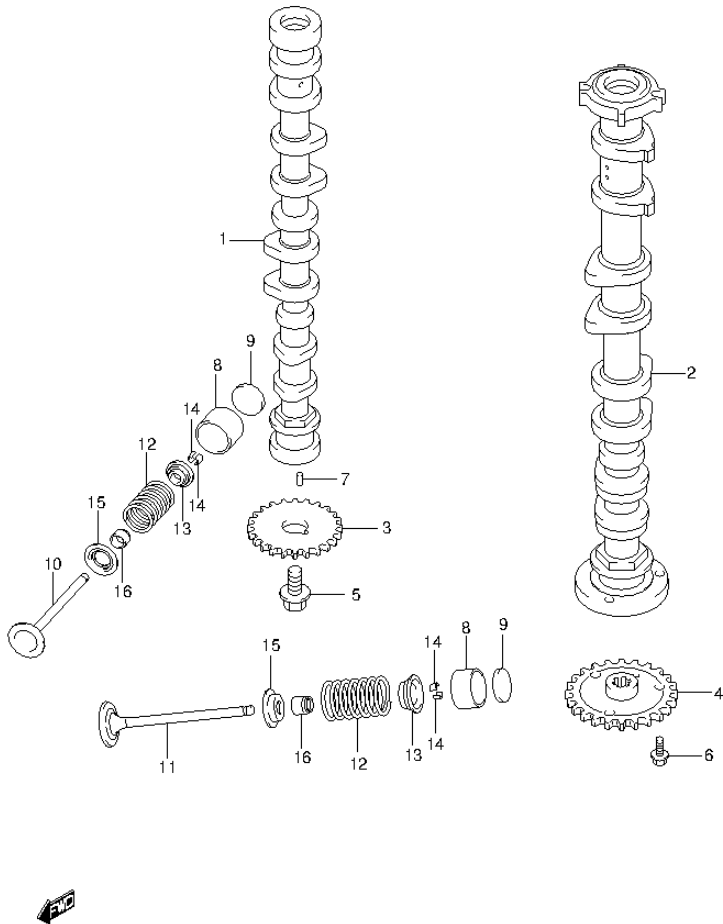


FIG.19 (1-C-10) CAMSHAFT (DF80A E01)

REF NO.	PART NO.	DESCRIPTION	Q'TY	REMARKS
1	12701-87L00	CAMSHAFT, INTAKE	1	
2	12705-87L00	CAMSHAFT, EXHAUST	1	
3	12741-90J01	SPROCKET, CAMSHAFT TIMING	1	
		(NT:29)		
4	12748-87L00	SPROCKET, EXH CAMSHAFT (NT:29)	1	
5	12749-93J00	BOLT, CAMSHAFT	1	
6	01550-0612A	BOLT	3	
7	04221-05109	PIN	2	
8	12891-69J00	TAPPET	16	
9-1	12892-69J00-228	SHIM, TAPPET	16	
9-2	12892-69J00-230	SHIM, TAPPET	16	
9-3	12892-69J00-232	SHIM, TAPPET	16	
9-4	12892-69J00-234	SHIM, TAPPET	16	
9-5	12892-69J00-236	SHIM, TAPPET	16	
9-6	12892-69J00-238	SHIM, TAPPET	16	
9-7	12892-69J00-240	SHIM, TAPPET	16	
9-8	12892-69J00-242	SHIM, TAPPET	16	
9-9	12892-69J00-244	SHIM, TAPPET	16	
9-10	12892-69J00-246	SHIM, TAPPET	16	
9-11	12892-69J00-248	SHIM, TAPPET	16	
9-12	12892-69J00-250	SHIM, TAPPET	16	
9-13	12892-69J00-252	SHIM, TAPPET	16	
9-14	12892-69J00-254	SHIM, TAPPET	16	
9-15	12892-69J00-256	SHIM, TAPPET	16	
9-16	12892-69J00-258	SHIM, TAPPET	16	
9-17	12892-69J00-260	SHIM, TAPPET	16	
9-18	12892-69J00-262	SHIM, TAPPET	16	
9-19	12892-69J00-264	SHIM, TAPPET	16	
9-20	12892-69J00-266	SHIM, TAPPET	16	
9-21	12892-69J00-268	SHIM, TAPPET	16	
9-22	12892-69J00-270	SHIM, TAPPET	16	
9-23	12892-69J00-272	SHIM, TAPPET	16	
10	12911-87L00	VALVE, INTAKE	8	
11	12915-87L50	VALVE, EXHAUST	8	

FIG.19

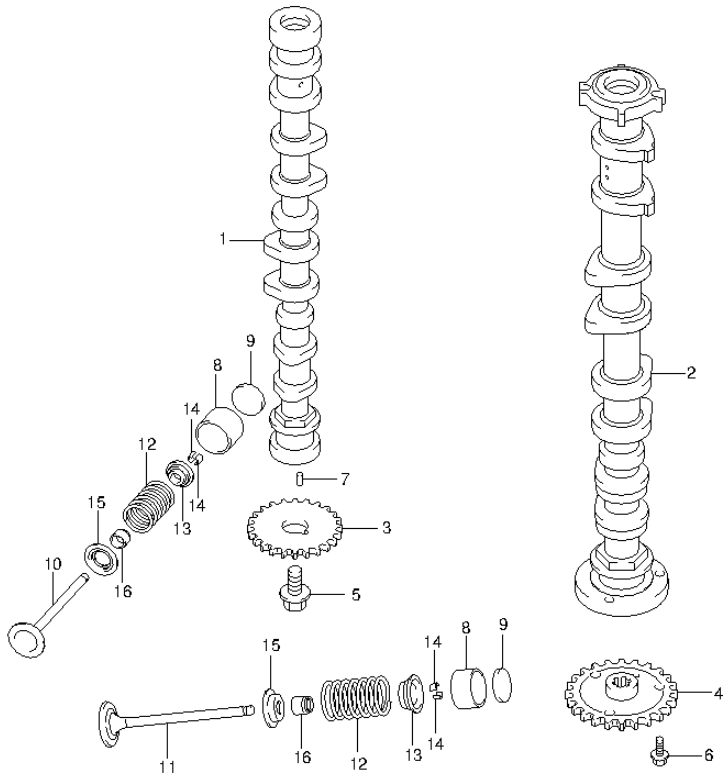


FIG.19 (1-C-11) CAMSHAFT (DF80A E01)

REF NO.	PART NO.	DESCRIPTION	Q'TY	REMARKS
12	12921-87J10	SPRING, VALVE	16	
13	12931-78G00	RETAINER, VALVE SPRING	16	
14	12932-24400	COTTER, VALVE	32	
15	12933-51E00	SEAT, VALVE SPRING	16	
16	09289-05012	OIL SEAL (5.5X11.5X9.3)	16	

FIG.20

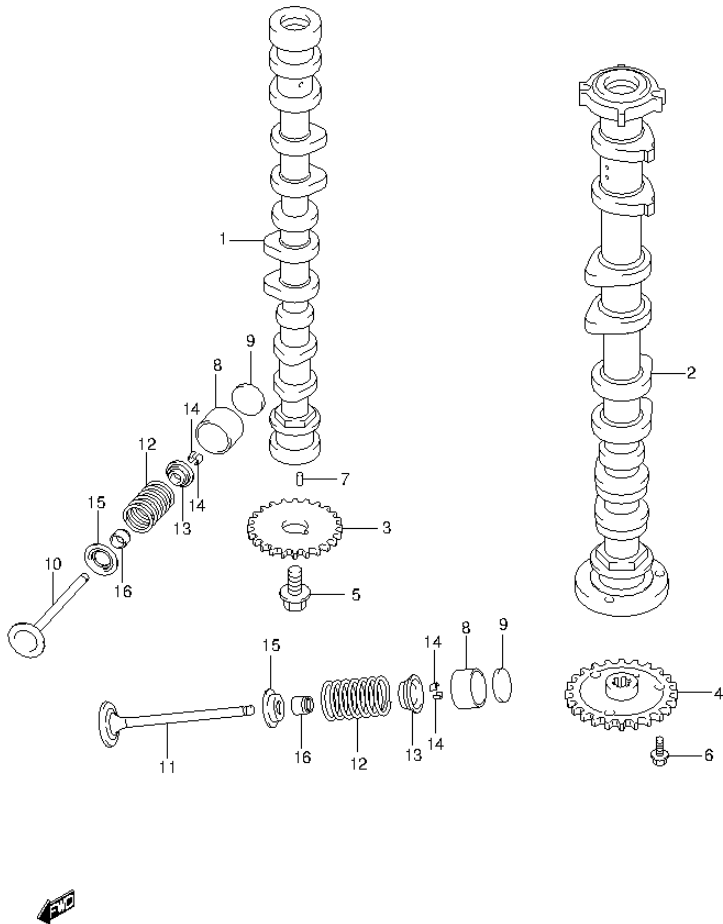


FIG.20 (1-C-12) CAMSHAFT (DF80A E40)

REF NO.	PART NO.	DESCRIPTION	Q'TY	REMARKS
1	12701-87L00	CAMSHAFT, INTAKE	1	
2	12705-87L00	CAMSHAFT, EXHAUST	1	
3	12741-90J01	SPROCKET, CAMSHAFT TIMING	1	
		(NT:29)		
4	12748-87L00	SPROCKET, EXH CAMSHAFT (NT:29)	1	
5	12749-93J00	BOLT, CAMSHAFT	1	
6	01550-0612A	BOLT	3	
7	04221-05109	PIN	2	
8	12891-69J00	TAPPET	16	
9-1	12892-69J00-228	SHIM, TAPPET	16	
9-2	12892-69J00-230	SHIM, TAPPET	16	
9-3	12892-69J00-232	SHIM, TAPPET	16	
9-4	12892-69J00-234	SHIM, TAPPET	16	
9-5	12892-69J00-236	SHIM, TAPPET	16	
9-6	12892-69J00-238	SHIM, TAPPET	16	
9-7	12892-69J00-240	SHIM, TAPPET	16	
9-8	12892-69J00-242	SHIM, TAPPET	16	
9-9	12892-69J00-244	SHIM, TAPPET	16	
9-10	12892-69J00-246	SHIM, TAPPET	16	
9-11	12892-69J00-248	SHIM, TAPPET	16	
9-12	12892-69J00-250	SHIM, TAPPET	16	
9-13	12892-69J00-252	SHIM, TAPPET	16	
9-14	12892-69J00-254	SHIM, TAPPET	16	
9-15	12892-69J00-256	SHIM, TAPPET	16	
9-16	12892-69J00-258	SHIM, TAPPET	16	
9-17	12892-69J00-260	SHIM, TAPPET	16	
9-18	12892-69J00-262	SHIM, TAPPET	16	
9-19	12892-69J00-264	SHIM, TAPPET	16	
9-20	12892-69J00-266	SHIM, TAPPET	16	
9-21	12892-69J00-268	SHIM, TAPPET	16	
9-22	12892-69J00-270	SHIM, TAPPET	16	
9-23	12892-69J00-272	SHIM, TAPPET	16	
10	12911-87L00	VALVE, INTAKE	8	
11	12915-87L50	VALVE, EXHAUST	8	

FIG.20

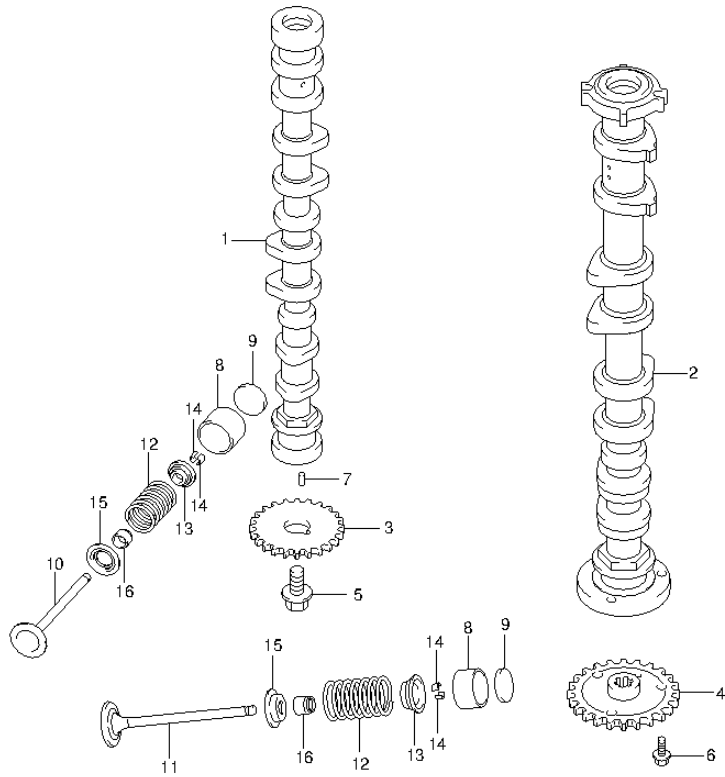


FIG.20 (1-C-13) CAMSHAFT (DF80A E40)

REF NO.	PART NO.	DESCRIPTION	Q'TY	REMARKS
12	12921-87J10	SPRING, VALVE	16	
13	12931-78G00	RETAINER, VALVE SPRING	16	
14	12932-24400	COTTER, VALVE	32	
15	12933-51E00	SEAT, VALVE SPRING	16	
16	09289-05012	OIL SEAL (5.5X11.5X9.3)	16	

FIG.21

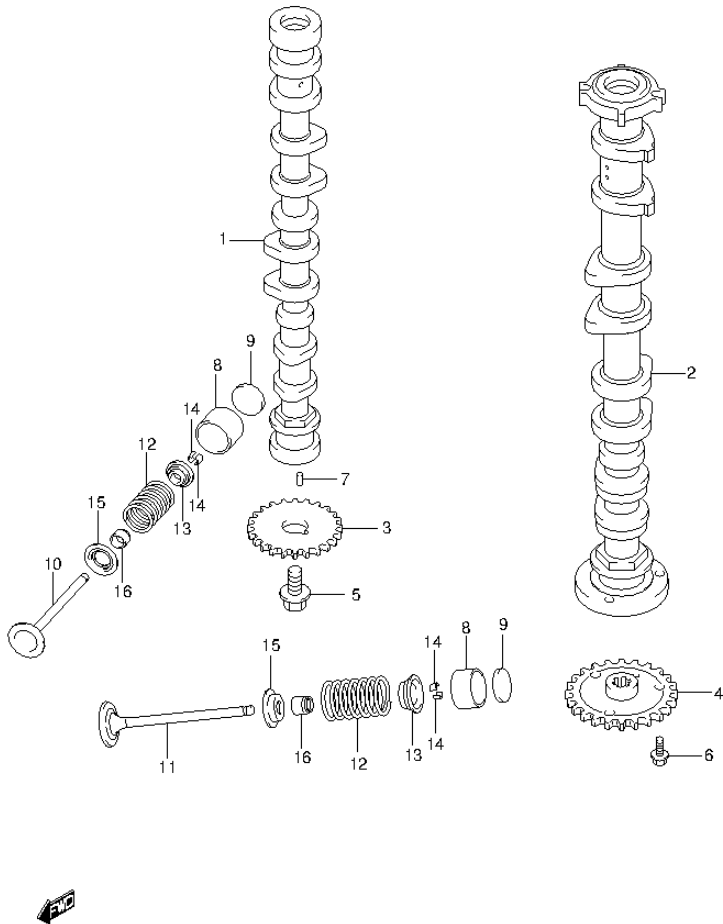


FIG.21 (1-C-14) CAMSHAFT (DF90A E01)

REF NO.	PART NO.	DESCRIPTION	Q'TY	REMARKS
1	12701-87L10	CAMSHAFT, INTAKE	1	
2	12705-87L10	CAMSHAFT, EXHAUST	1	
3	12741-90J01	SPROCKET, CAMSHAFT TIMING	1	
		(NT:29)		
4	12748-87L00	SPROCKET, EXH CAMSHAFT (NT:29)	1	
5	12749-93J00	BOLT, CAMSHAFT	1	
6	01550-0612A	BOLT	3	
7	04221-05109	PIN	2	
8	12891-69J00	TAPPET	16	
9-1	12892-69J00-228	SHIM, TAPPET	16	
9-2	12892-69J00-230	SHIM, TAPPET	16	
9-3	12892-69J00-232	SHIM, TAPPET	16	
9-4	12892-69J00-234	SHIM, TAPPET	16	
9-5	12892-69J00-236	SHIM, TAPPET	16	
9-6	12892-69J00-238	SHIM, TAPPET	16	
9-7	12892-69J00-240	SHIM, TAPPET	16	
9-8	12892-69J00-242	SHIM, TAPPET	16	
9-9	12892-69J00-244	SHIM, TAPPET	16	
9-10	12892-69J00-246	SHIM, TAPPET	16	
9-11	12892-69J00-248	SHIM, TAPPET	16	
9-12	12892-69J00-250	SHIM, TAPPET	16	
9-13	12892-69J00-252	SHIM, TAPPET	16	
9-14	12892-69J00-254	SHIM, TAPPET	16	
9-15	12892-69J00-256	SHIM, TAPPET	16	
9-16	12892-69J00-258	SHIM, TAPPET	16	
9-17	12892-69J00-260	SHIM, TAPPET	16	
9-18	12892-69J00-262	SHIM, TAPPET	16	
9-19	12892-69J00-264	SHIM, TAPPET	16	
9-20	12892-69J00-266	SHIM, TAPPET	16	
9-21	12892-69J00-268	SHIM, TAPPET	16	
9-22	12892-69J00-270	SHIM, TAPPET	16	
9-23	12892-69J00-272	SHIM, TAPPET	16	
10	12911-87L00	VALVE, INTAKE	8	
11	12915-87L50	VALVE, EXHAUST	8	
12	12921-87J10	SPRING, VALVE	16	

FIG.21

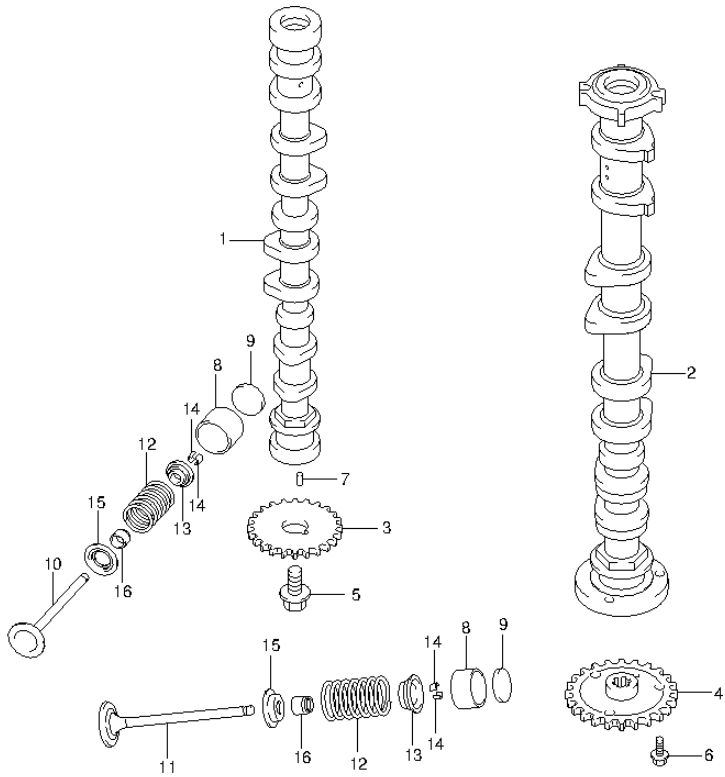


FIG.21 (1-C-15) CAMSHAFT (DF90A E01)

REF NO.	PART NO.	DESCRIPTION	Q'TY	REMARKS
13	12931-78G00	RETAINER, VALVE SPRING	16	
14	12932-24400	COTTER, VALVE	32	
15	12933-51E00	SEAT, VALVE SPRING	16	
16	09289-05012	OIL SEAL (5.5X11.5X9.3)	16	

FIG.22

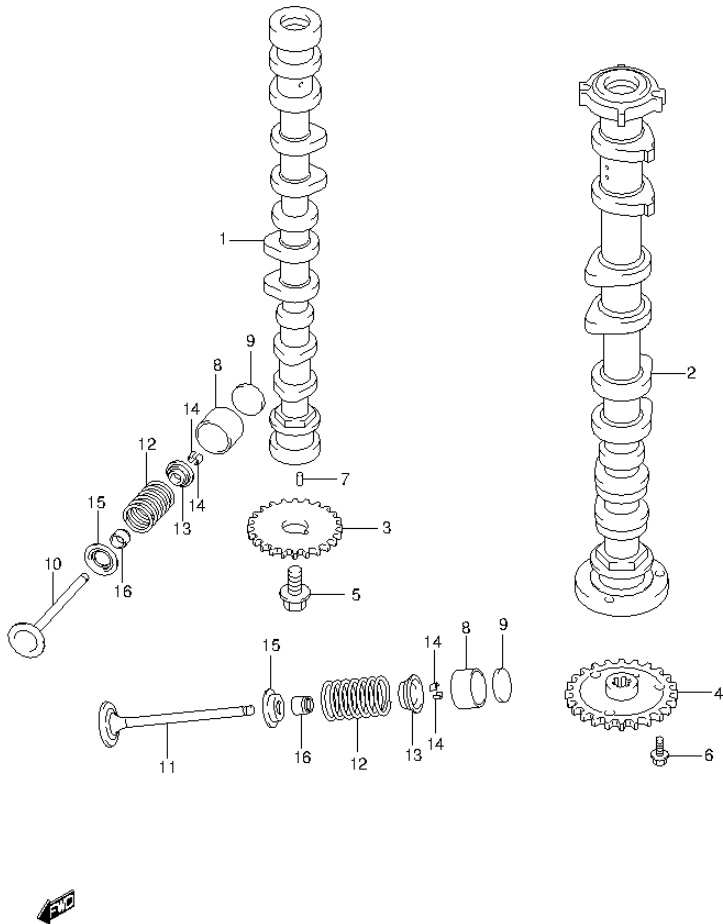


FIG.22 (1-D-2) CAMSHAFT (DF90A E40)

REF NO.	PART NO.	DESCRIPTION	Q'TY	REMARKS
1	12701-87L10	CAMSHAFT, INTAKE	1	
2	12705-87L10	CAMSHAFT, EXHAUST	1	
3	12741-90J01	SPROCKET, CAMSHAFT TIMING	1	
		(NT:29)		
4	12748-87L00	SPROCKET, EXH CAMSHAFT (NT:29)	1	
5	12749-93J00	BOLT, CAMSHAFT	1	
6	01550-0612A	BOLT	3	
7	04221-05109	PIN	2	
8	12891-69J00	TAPPET	16	
9-1	12892-69J00-228	SHIM, TAPPET	16	
9-2	12892-69J00-230	SHIM, TAPPET	16	
9-3	12892-69J00-232	SHIM, TAPPET	16	
9-4	12892-69J00-234	SHIM, TAPPET	16	
9-5	12892-69J00-236	SHIM, TAPPET	16	
9-6	12892-69J00-238	SHIM, TAPPET	16	
9-7	12892-69J00-240	SHIM, TAPPET	16	
9-8	12892-69J00-242	SHIM, TAPPET	16	
9-9	12892-69J00-244	SHIM, TAPPET	16	
9-10	12892-69J00-246	SHIM, TAPPET	16	
9-11	12892-69J00-248	SHIM, TAPPET	16	
9-12	12892-69J00-250	SHIM, TAPPET	16	
9-13	12892-69J00-252	SHIM, TAPPET	16	
9-14	12892-69J00-254	SHIM, TAPPET	16	
9-15	12892-69J00-256	SHIM, TAPPET	16	
9-16	12892-69J00-258	SHIM, TAPPET	16	
9-17	12892-69J00-260	SHIM, TAPPET	16	
9-18	12892-69J00-262	SHIM, TAPPET	16	
9-19	12892-69J00-264	SHIM, TAPPET	16	
9-20	12892-69J00-266	SHIM, TAPPET	16	
9-21	12892-69J00-268	SHIM, TAPPET	16	
9-22	12892-69J00-270	SHIM, TAPPET	16	
9-23	12892-69J00-272	SHIM, TAPPET	16	
10	12911-87L00	VALVE, INTAKE	8	
11	12915-87L50	VALVE, EXHAUST	8	
12	12921-87J10	SPRING, VALVE	16	

FIG.22

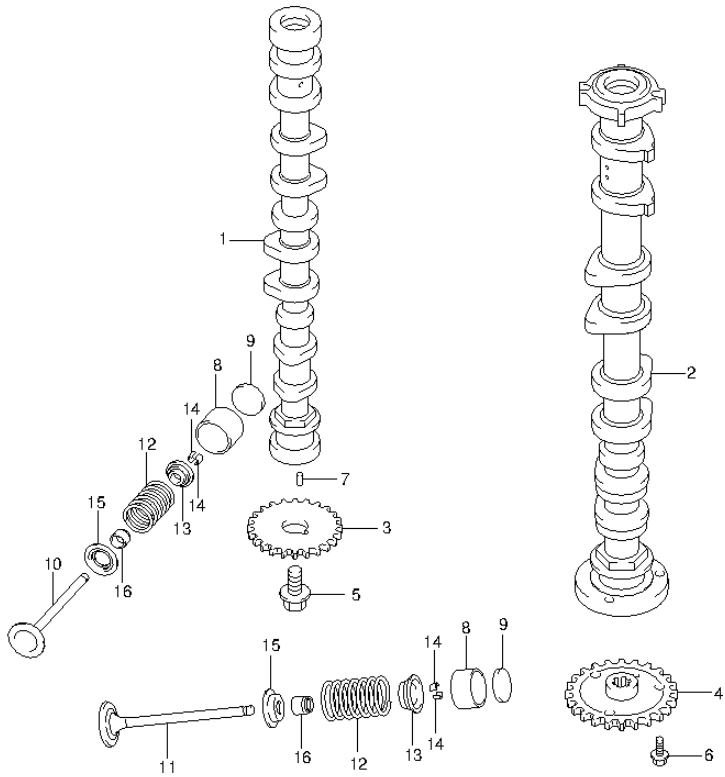


FIG.22 (1-D-3) CAMSHAFT (DF90A E40)

REF NO.	PART NO.	DESCRIPTION	Q'TY	REMARKS
13	12931-78G00	RETAINER, VALVE SPRING	16	
14	12932-24400	COTTER, VALVE	32	
15	12933-51E00	SEAT, VALVE SPRING	16	
16	09289-05012	OIL SEAL (5.5X11.5X9.3)	16	

FIG.23

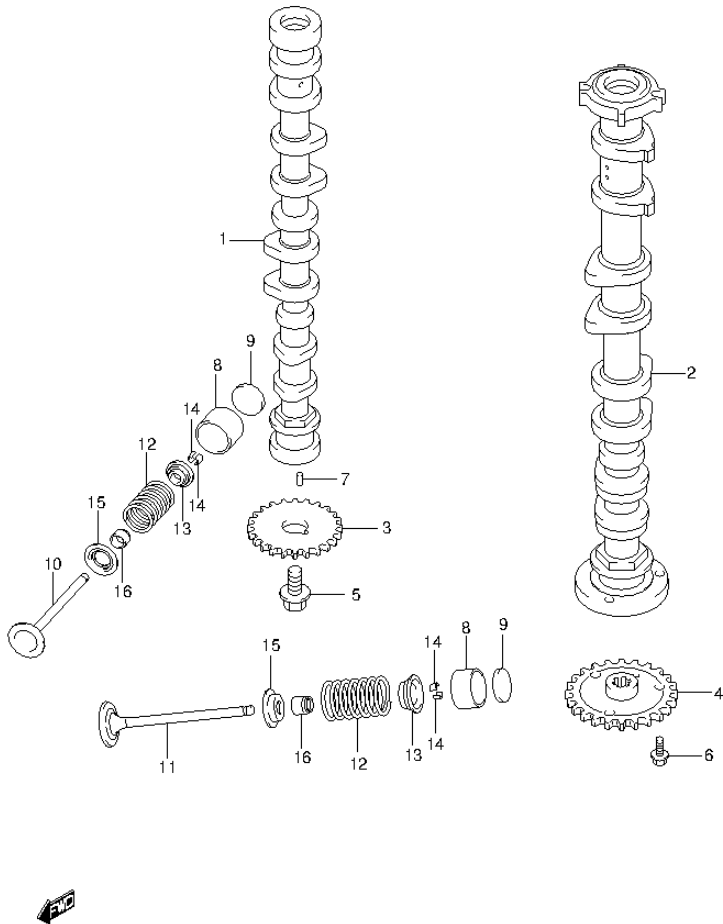


FIG.23 (1-D-4) CAMSHAFT (DF90ATH E01)

REF NO.	PART NO.	DESCRIPTION	Q'TY	REMARKS
1	12701-87L10	CAMSHAFT, INTAKE	1	
2	12705-87L10	CAMSHAFT, EXHAUST	1	
3	12741-90J01	SPROCKET, CAMSHAFT TIMING	1	
		(NT:29)		
4	12748-87L00	SPROCKET, EXH CAMSHAFT (NT:29)	1	
5	12749-93J00	BOLT, CAMSHAFT	1	
6	01550-0612A	BOLT	3	
7	04221-05109	PIN	2	
8	12891-69J00	TAPPET	16	
9-1	12892-69J00-228	SHIM, TAPPET	16	
9-2	12892-69J00-230	SHIM, TAPPET	16	
9-3	12892-69J00-232	SHIM, TAPPET	16	
9-4	12892-69J00-234	SHIM, TAPPET	16	
9-5	12892-69J00-236	SHIM, TAPPET	16	
9-6	12892-69J00-238	SHIM, TAPPET	16	
9-7	12892-69J00-240	SHIM, TAPPET	16	
9-8	12892-69J00-242	SHIM, TAPPET	16	
9-9	12892-69J00-244	SHIM, TAPPET	16	
9-10	12892-69J00-246	SHIM, TAPPET	16	
9-11	12892-69J00-248	SHIM, TAPPET	16	
9-12	12892-69J00-250	SHIM, TAPPET	16	
9-13	12892-69J00-252	SHIM, TAPPET	16	
9-14	12892-69J00-254	SHIM, TAPPET	16	
9-15	12892-69J00-256	SHIM, TAPPET	16	
9-16	12892-69J00-258	SHIM, TAPPET	16	
9-17	12892-69J00-260	SHIM, TAPPET	16	
9-18	12892-69J00-262	SHIM, TAPPET	16	
9-19	12892-69J00-264	SHIM, TAPPET	16	
9-20	12892-69J00-266	SHIM, TAPPET	16	
9-21	12892-69J00-268	SHIM, TAPPET	16	
9-22	12892-69J00-270	SHIM, TAPPET	16	
9-23	12892-69J00-272	SHIM, TAPPET	16	
10	12911-87L00	VALVE, INTAKE	8	
11	12915-87L50	VALVE, EXHAUST	8	
12	12921-87J10	SPRING, VALVE	16	

FIG.23

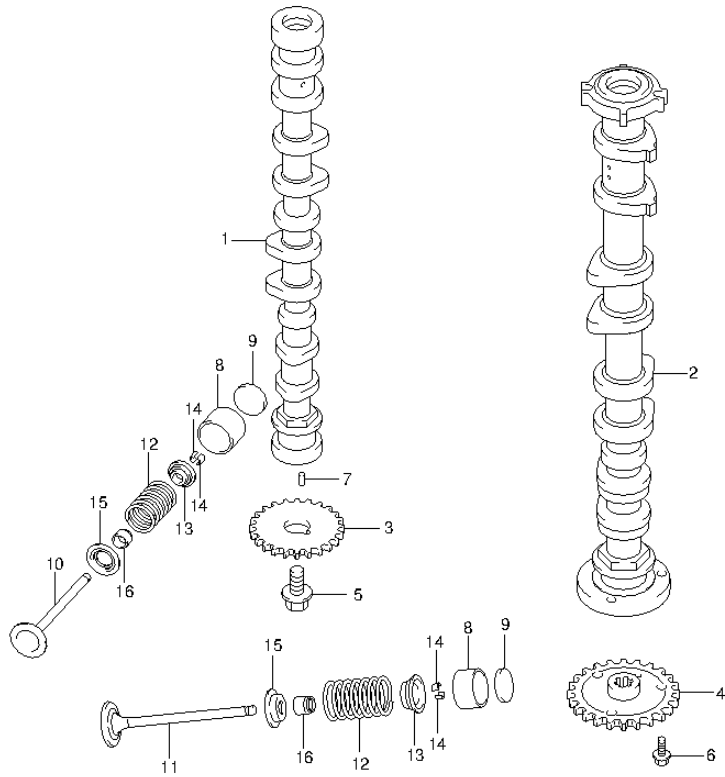


FIG.23 (1-D-5) CAMSHAFT (DF90ATH E01)

REF NO.	PART NO.	DESCRIPTION	Q'TY	REMARKS
13	12931-78G00	RETAINER, VALVE SPRING	16	
14	12932-24400	COTTER, VALVE	32	
15	12933-51E00	SEAT, VALVE SPRING	16	
16	09289-05012	OIL SEAL (5.5X11.5X9.3)	16	



FIG.24

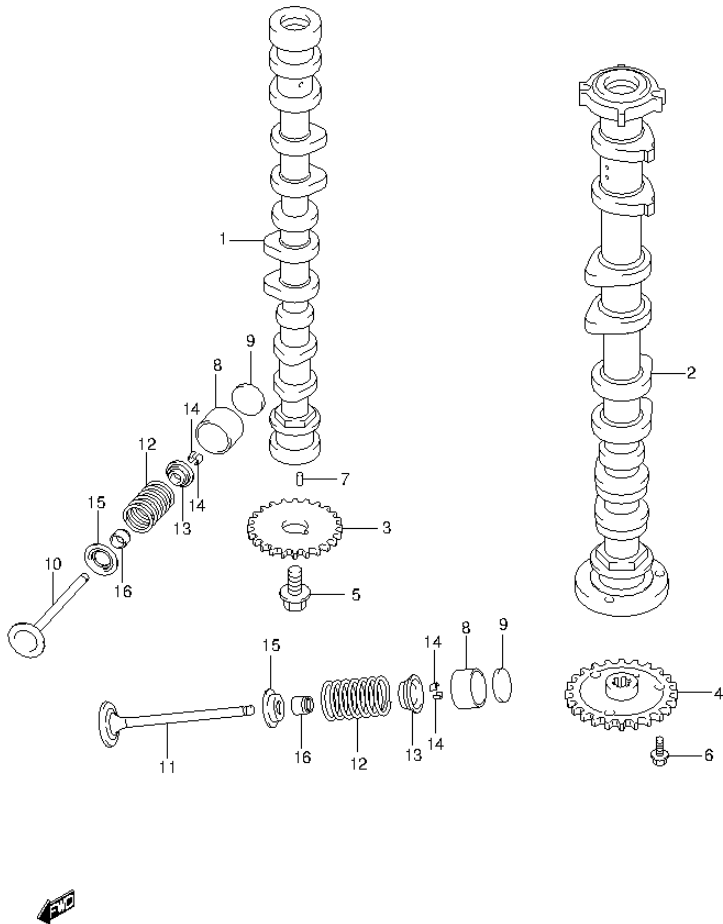


FIG.24 (1-D-6) CAMSHAFT (DF90ATH E40)

REF NO.	PART NO.	DESCRIPTION	Q'TY	REMARKS
1	12701-87L10	CAMSHAFT, INTAKE	1	
2	12705-87L10	CAMSHAFT, EXHAUST	1	
3	12741-90J01	SPROCKET, CAMSHAFT TIMING	1	
		(NT:29)		
4	12748-87L00	SPROCKET, EXH CAMSHAFT (NT:29)	1	
5	12749-93J00	BOLT, CAMSHAFT	1	
6	01550-0612A	BOLT	3	
7	04221-05109	PIN	2	
8	12891-69J00	TAPPET	16	
9-1	12892-69J00-228	SHIM, TAPPET	16	
9-2	12892-69J00-230	SHIM, TAPPET	16	
9-3	12892-69J00-232	SHIM, TAPPET	16	
9-4	12892-69J00-234	SHIM, TAPPET	16	
9-5	12892-69J00-236	SHIM, TAPPET	16	
9-6	12892-69J00-238	SHIM, TAPPET	16	
9-7	12892-69J00-240	SHIM, TAPPET	16	
9-8	12892-69J00-242	SHIM, TAPPET	16	
9-9	12892-69J00-244	SHIM, TAPPET	16	
9-10	12892-69J00-246	SHIM, TAPPET	16	
9-11	12892-69J00-248	SHIM, TAPPET	16	
9-12	12892-69J00-250	SHIM, TAPPET	16	
9-13	12892-69J00-252	SHIM, TAPPET	16	
9-14	12892-69J00-254	SHIM, TAPPET	16	
9-15	12892-69J00-256	SHIM, TAPPET	16	
9-16	12892-69J00-258	SHIM, TAPPET	16	
9-17	12892-69J00-260	SHIM, TAPPET	16	
9-18	12892-69J00-262	SHIM, TAPPET	16	
9-19	12892-69J00-264	SHIM, TAPPET	16	
9-20	12892-69J00-266	SHIM, TAPPET	16	
9-21	12892-69J00-268	SHIM, TAPPET	16	
9-22	12892-69J00-270	SHIM, TAPPET	16	
9-23	12892-69J00-272	SHIM, TAPPET	16	
10	12911-87L00	VALVE, INTAKE	8	
11	12915-87L50	VALVE, EXHAUST	8	
12	12921-87J10	SPRING, VALVE	16	

FIG.24

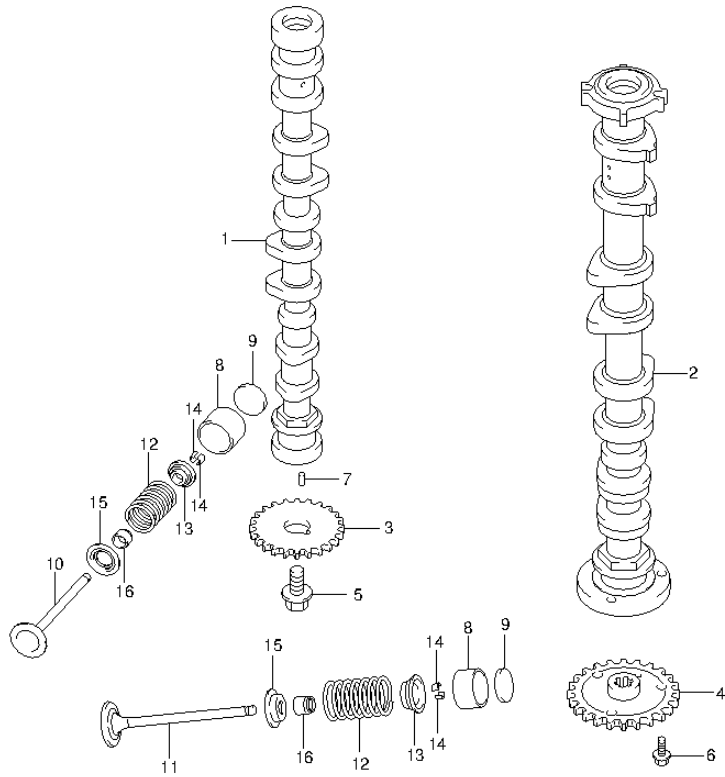


FIG.24 (1-D-7) CAMSHAFT (DF90ATH E40)

REF NO.	PART NO.	DESCRIPTION	Q'TY	REMARKS
13	12931-78G00	RETAINER, VALVE SPRING	16	
14	12932-24400	COTTER, VALVE	32	
15	12933-51E00	SEAT, VALVE SPRING	16	
16	09289-05012	OIL SEAL (5.5X11.5X9.3)	16	



FIG.25

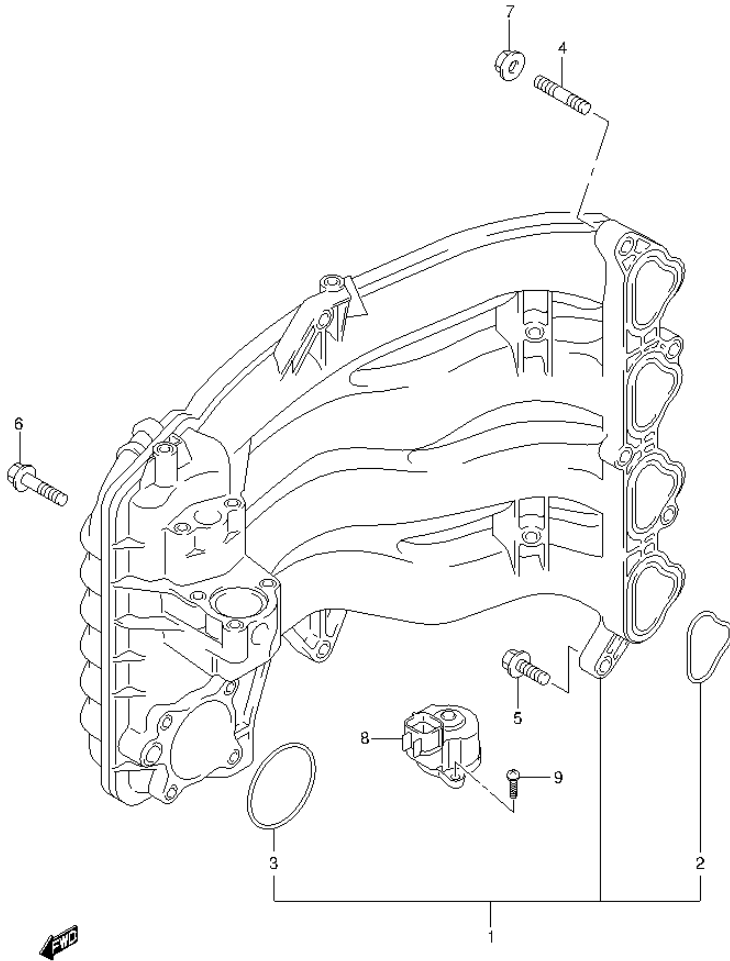


FIG.25 (1-D-8) INTAKE MANIFOLD

REF NO.	PART NO.	DESCRIPTION	Q'TY	REMARKS
1	13110-87L00	MANIFOLD, INTAKE	1	
2	13119-87L00	.GASKET, INTAKE MANIFOLD	4	
3	13125-87L00	.GASKET, THROTTLE BODY	1	
4	01421-08257	STUD BOLT	2	
5	01550-08307	BOLT	4	
6	01550-08457	BOLT	1	
7	08316-10087	NUT	2	
8	18137-87L01	VALVE, IAC	1	
9	02112-34167	SCREW	3	

FIG.26

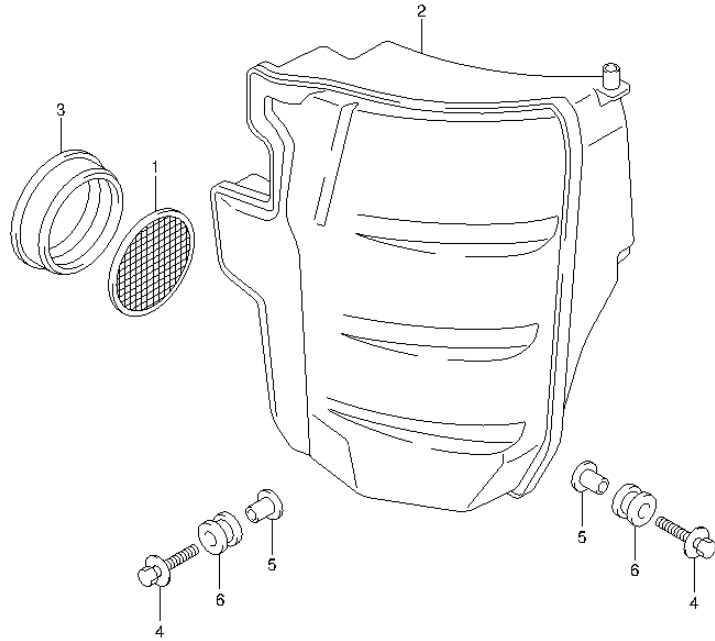


FIG.26 (1-D-9) SILENCER

REF NO.	PART NO.	DESCRIPTION	Q'TY	REMARKS
1	13710-99E00	ARRESTER, FLAME	1	
2	13810-87L00	SILENCER	1	
3	13813-87L00	HOLDER, FLAME ARRESTER	1	
4	09116-06215	BOLT (6X30)	2	
5	09169-06075	WASHER	2	
6	09320-09039	CUSHION	2	

FIG.27

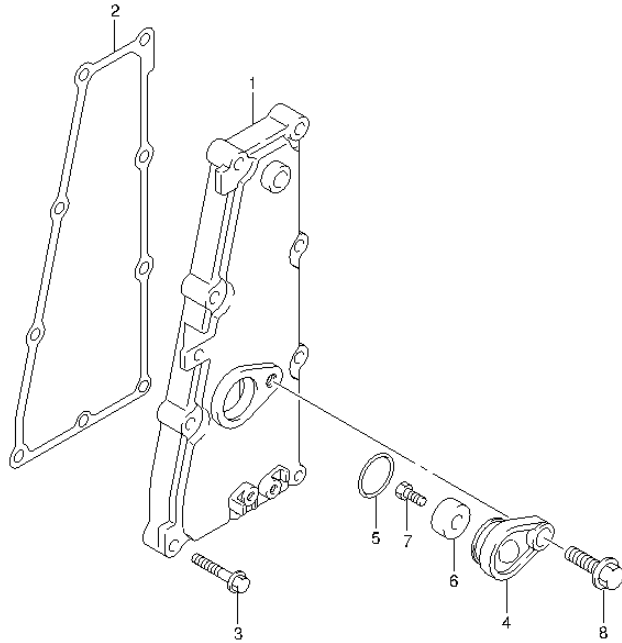


FIG.27 (1-D-10) EXHAUST COVER

REF NO.	PART NO.	DESCRIPTION	Q'TY	REMARKS
1	14141-87L00	COVER, EXHAUST	1	
2	14151-87L00	GASKET, EXHAUST COVER	1	
3	01550-06307	BOLT	9	
4	11261-93J00	COVER, PROTECTION ANODE	1	
5	09280-22019	O RING (D:1.9,ID:21.8)	1	
6	55321-87J00	ANODE, PROTECTION	1	
7	09103-06281	BOLT (6X14)	1	
8	01550-08207	BOLT	1	

FIG.28

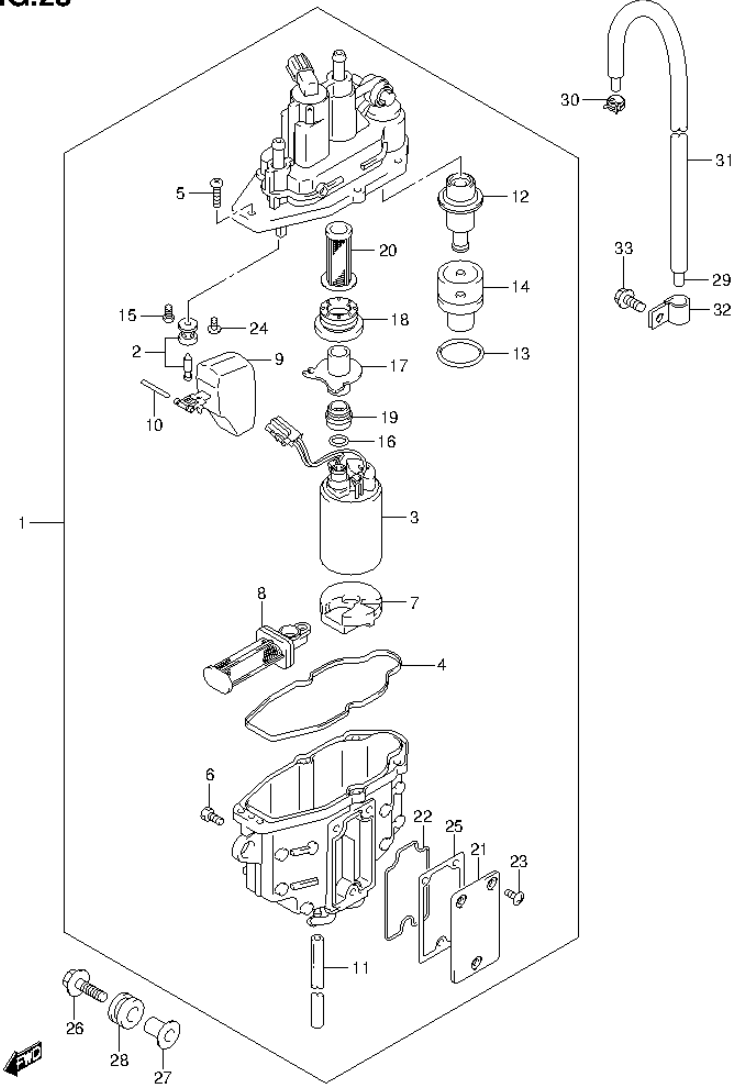


FIG.28 (1-D-11) FUEL VAPOR SEPARATOR (DF70A E01)

REF NO.	PART NO.	DESCRIPTION	Q'TY	REMARKS
1	15600-92J01	SEPARATOR ASSY, FUEL VAPOR	1	
2	13370-88L00	.VALVE ASSY, NEEDLE	1	
3	15200-92J00	.PUMP ASSY, FUEL	1	
4	15626-92J00	.SEAL	1	
5	15628-99E00	.SCREW (L:15)	5	
6	15629-99E10	.SCREW, DRAIN	1	
7	15641-88L00	.SPACER	1	
8	15642-88L00	.FILTER ASSY	1	
9	15650-99E00	.FLOAT	1	
10	15654-88L00	.PIN	1	
11	15683-87J00	.HOSE, DRAIN (L:120)	1	
12	15760-88L00	.REGULATOR ASSY	1	
13	15644-88L00	.O RING	1	
14	15645-88L00	.HOLDER, REGULATOR	1	
15	02112-0408A	.SCREW	1	
16	15648-92J00	.RING	1	
17	15643-88L00	.JOINT	1	
18	15641-88L20	.BUSH	1	
19	15641-88L40	.BUSH	1	
20	15642-88L10	.FILTER	1	
21	15612-88L00	.COVER	1	
22	15613-88L00	.O RING	1	
23	15614-88L00	.SCREW	3	
24	02142-0408B	.SCREW	1	
25	15613-92J00	.GASKET	1	
26	09116-06202	BOLT (6X25)	3	
27	09169-06090	WASHER	3	
28	09320-09053	CUSHION	3	
29	09352-50823-600	HOSE (5X8.2X600)	1	L:600->460
30	09401-08412	CLIP	1	
31	18498-87JC0	PROTECTOR, EVAP HOSE	1	L:450->390
32	09403-12320	CLAMP	1	
33	01550-06127	BOLT	1	

FIG.29

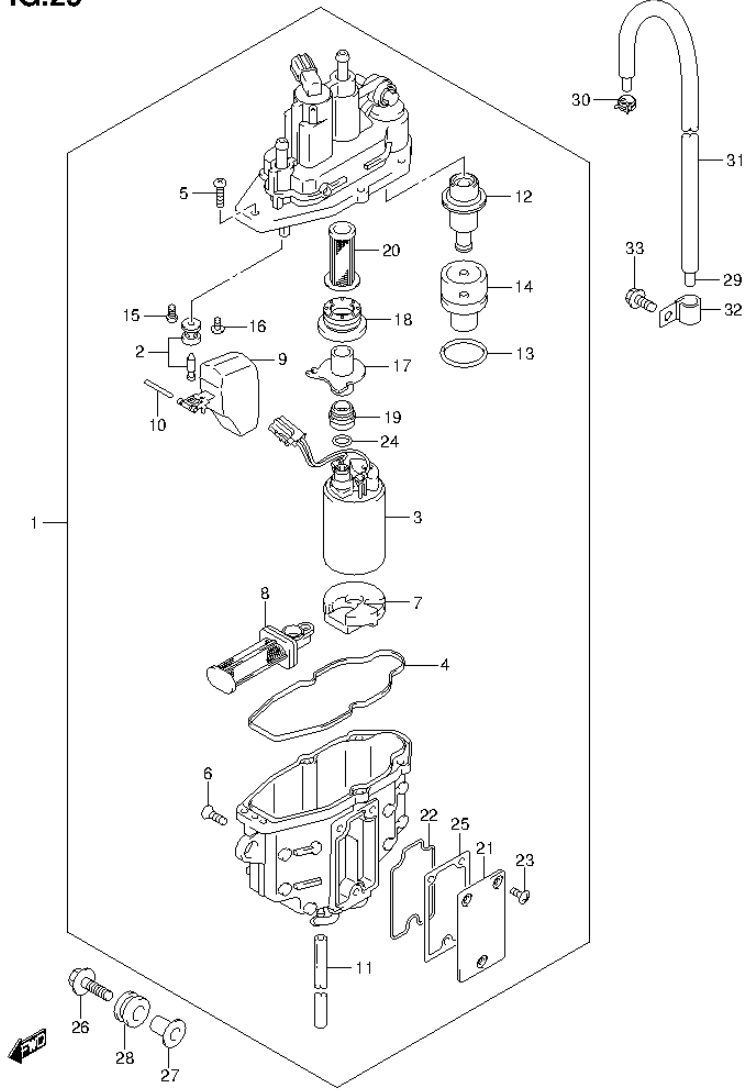


FIG.29 (1-D-12) FUEL VAPOR SEPARATOR (DF70A E40)

REF NO.	PART NO.	DESCRIPTION	Q'TY	REMARKS
1	15600-92J11	SEPARATOR ASSY, FUEL VAPOR	1	
2	13370-88L10	.VALVE ASSY, NEEDLE	1	
3	15200-92J10	.PUMP ASSY, FUEL	1	
4	15626-92J10	.SEAL	1	
5	15628-99E00	.SCREW (L:15)	5	
6	15629-99E10	.SCREW, DRAIN	1	
7	15641-88L10	.SPACER	1	
8	15642-88L00	.FILTER ASSY	1	
9	15650-99E00	.FLOAT	1	
10	15654-88L00	.PIN	1	
11	15683-87J00	.HOSE, DRAIN (L:120)	1	
12	15760-88L00	.REGULATOR ASSY	1	
13	15644-88L10	.O RING	1	
14	15645-88L00	.HOLDER, REGULATOR	1	
15	13614-89J00	.SCREW	1	
16	13614-93J00	.SCREW	1	
17	15643-88L00	.JOINT	1	
18	15641-88L30	.BUSH	1	
19	15641-88L50	.BUSH	1	
20	15642-88L10	.FILTER	1	
21	15612-88L00	.COVER	1	
22	15613-88L00	.O RING	1	
23	15614-88L00	.SCREW	3	
24	15648-92J00	.RING	1	
25	15613-92J00	.GASKET	1	
26	09116-06202	BOLT (6X25)	3	
27	09169-06090	WASHER	3	
28	09320-09053	CUSHION	3	
29	09352-50823-600	HOSE (5X8.2X600)	1	L:600->460
30	09401-08412	CLIP	1	
31	18498-87JC0	PROTECTOR, EVAP HOSE	1	L:450->390
32	09403-12320	CLAMP	1	
33	01550-06127	BOLT	1	

FIG.30

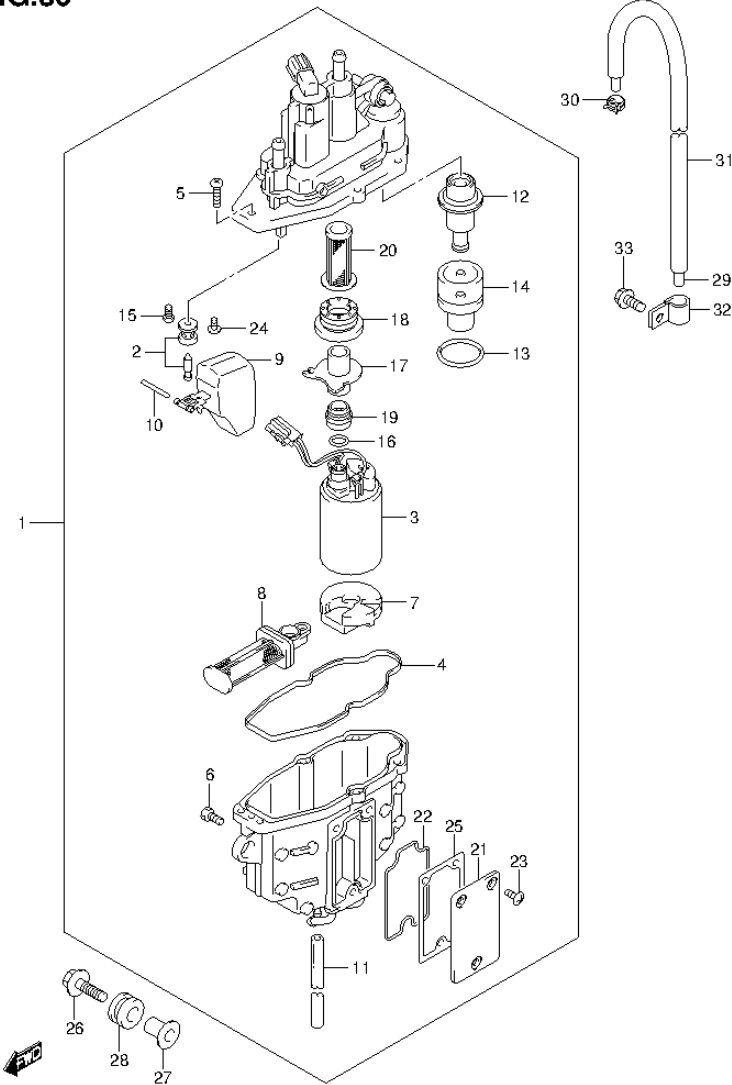


FIG.30 (1-D-13) FUEL VAPOR SEPARATOR (DF70ATH E01)

REF NO.	PART NO.	DESCRIPTION	Q'TY	REMARKS
1	15600-92J01	SEPARATOR ASSY, FUEL VAPOR	1	
2	13370-88L00	.VALVE ASSY, NEEDLE	1	
3	15200-92J00	.PUMP ASSY, FUEL	1	
4	15626-92J00	.SEAL	1	
5	15628-99E00	.SCREW (L:15)	5	
6	15629-99E10	.SCREW, DRAIN	1	
7	15641-88L00	.SPACER	1	
8	15642-88L00	.FILTER ASSY	1	
9	15650-99E00	.FLOAT	1	
10	15654-88L00	.PIN	1	
11	15683-87J00	.HOSE, DRAIN (L:120)	1	
12	15760-88L00	.REGULATOR ASSY	1	
13	15644-88L00	.O RING	1	
14	15645-88L00	.HOLDER, REGULATOR	1	
15	02112-0408A	.SCREW	1	
16	15648-92J00	.RING	1	
17	15643-88L00	.JOINT	1	
18	15641-88L20	.BUSH	1	
19	15641-88L40	.BUSH	1	
20	15642-88L10	.FILTER	1	
21	15612-88L00	.COVER	1	
22	15613-88L00	.O RING	1	
23	15614-88L00	.SCREW	3	
24	02142-0408B	.SCREW	1	
25	15613-92J00	.GASKET	1	
26	09116-06202	BOLT (6X25)	3	
27	09169-06090	WASHER	3	
28	09320-09053	CUSHION	3	
29	09352-50823-600	HOSE (5X8.2X600)	1	L:600->460
30	09401-08412	CLIP	1	
31	18498-87JC0	PROTECTOR, EVAP HOSE	1	L:450->390
32	09403-12320	CLAMP	1	
33	01550-06127	BOLT	1	

FIG.31

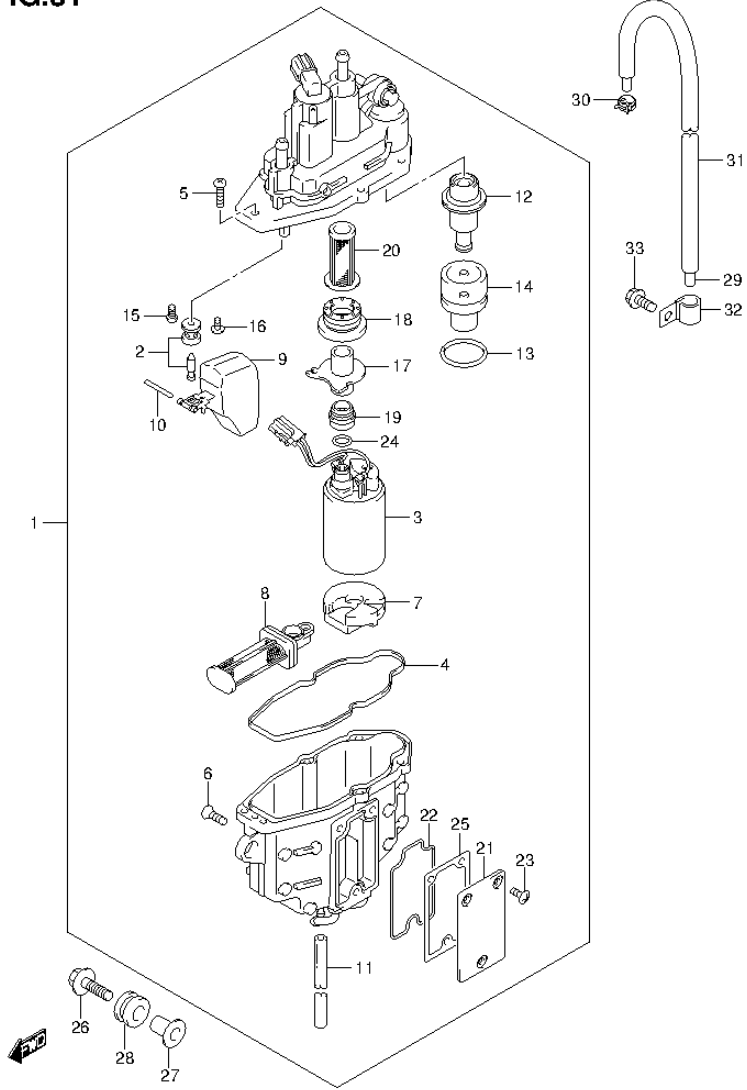


FIG.31 (1-D-14) FUEL VAPOR SEPARATOR (DF70ATH E40)

REF NO.	PART NO.	DESCRIPTION	Q'TY	REMARKS
1	15600-92J11	SEPARATOR ASSY, FUEL VAPOR	1	
2	13370-88L10	.VALVE ASSY, NEEDLE	1	
3	15200-92J10	.PUMP ASSY, FUEL	1	
4	15626-92J10	.SEAL	1	
5	15628-99E00	.SCREW (L:15)	5	
6	15629-99E10	.SCREW, DRAIN	1	
7	15641-88L10	.SPACER	1	
8	15642-88L00	.FILTER ASSY	1	
9	15650-99E00	.FLOAT	1	
10	15654-88L00	.PIN	1	
11	15683-87J00	.HOSE, DRAIN (L:120)	1	
12	15760-88L00	.REGULATOR ASSY	1	
13	15644-88L10	.O RING	1	
14	15645-88L00	.HOLDER, REGULATOR	1	
15	13614-89J00	.SCREW	1	
16	13614-93J00	.SCREW	1	
17	15643-88L00	.JOINT	1	
18	15641-88L30	.BUSH	1	
19	15641-88L50	.BUSH	1	
20	15642-88L10	.FILTER	1	
21	15612-88L00	.COVER	1	
22	15613-88L00	.O RING	1	
23	15614-88L00	.SCREW	3	
24	15648-92J00	.RING	1	
25	15613-92J00	.GASKET	1	
26	09116-06202	BOLT (6X25)	3	
27	09169-06090	WASHER	3	
28	09320-09053	CUSHION	3	
29	09352-50823-600	HOSE (5X8.2X600)	1	L:600->460
30	09401-08412	CLIP	1	
31	18498-87JC0	PROTECTOR, EVAP HOSE	1	L:450->390
32	09403-12320	CLAMP	1	
33	01550-06127	BOLT	1	

FIG.32

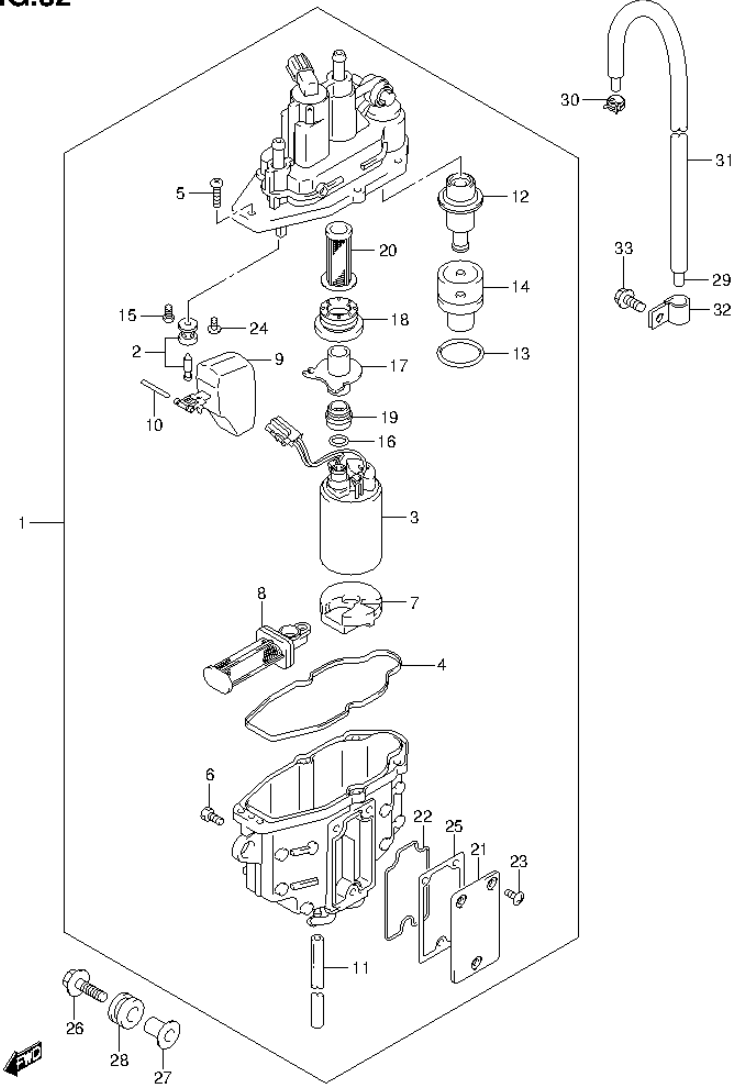


FIG.32 (1-D-15) FUEL VAPOR SEPARATOR (DF80A E01)

REF NO.	PART NO.	DESCRIPTION	Q'TY	REMARKS
1	15600-92J01	SEPARATOR ASSY, FUEL VAPOR	1	
2	13370-88L00	.VALVE ASSY, NEEDLE	1	
3	15200-92J00	.PUMP ASSY, FUEL	1	
4	15626-92J00	.SEAL	1	
5	15628-99E00	.SCREW (L:15)	5	
6	15629-99E10	.SCREW, DRAIN	1	
7	15641-88L00	.SPACER	1	
8	15642-88L00	.FILTER ASSY	1	
9	15650-99E00	.FLOAT	1	
10	15654-88L00	.PIN	1	
11	15683-87J00	.HOSE, DRAIN (L:120)	1	
12	15760-88L00	.REGULATOR ASSY	1	
13	15644-88L00	.O RING	1	
14	15645-88L00	.HOLDER, REGULATOR	1	
15	02112-0408A	.SCREW	1	
16	15648-92J00	.RING	1	
17	15643-88L00	.JOINT	1	
18	15641-88L20	.BUSH	1	
19	15641-88L40	.BUSH	1	
20	15642-88L10	.FILTER	1	
21	15612-88L00	.COVER	1	
22	15613-88L00	.O RING	1	
23	15614-88L00	.SCREW	3	
24	02142-0408B	.SCREW	1	
25	15613-92J00	.GASKET	1	
26	09116-06202	BOLT (6X25)	3	
27	09169-06090	WASHER	3	
28	09320-09053	CUSHION	3	
29	09352-50823-600	HOSE (5X8.2X600)	1	L:600->460
30	09401-08412	CLIP	1	
31	18498-87JC0	PROTECTOR, EVAP HOSE	1	L:450->390
32	09403-12320	CLAMP	1	
33	01550-06127	BOLT	1	

FIG.33

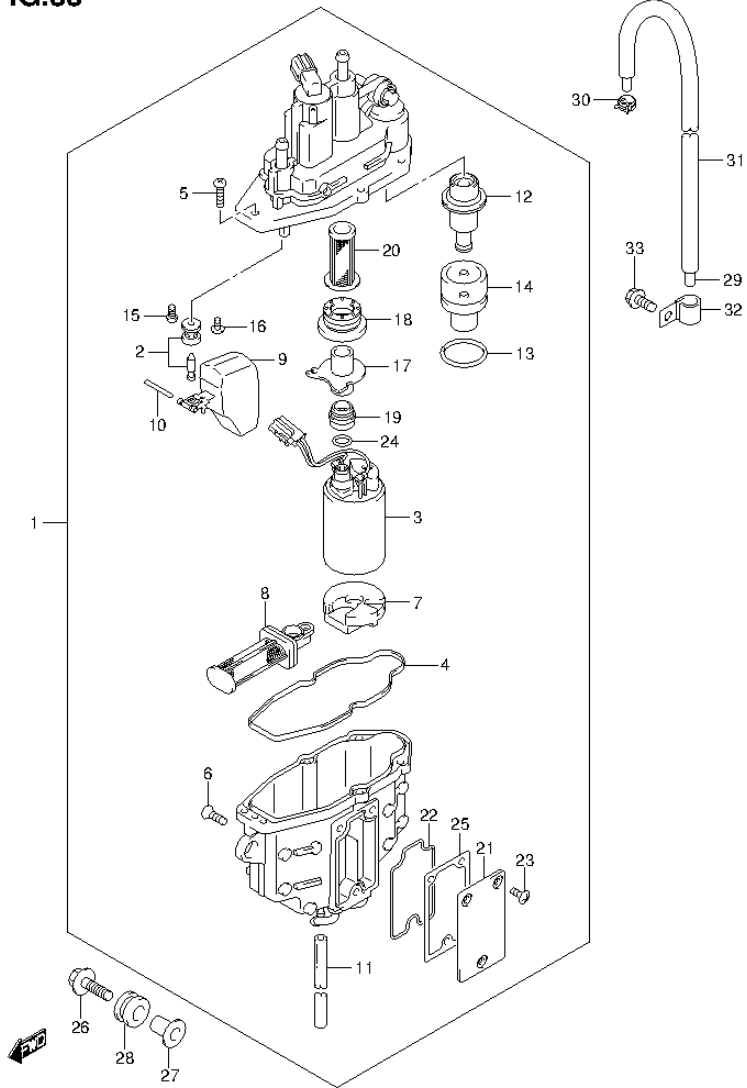


FIG.33 (1-E-2) FUEL VAPOR SEPARATOR (DF80A E40)

REF NO.	PART NO.	DESCRIPTION	Q'TY	REMARKS
1	15600-92J11	SEPARATOR ASSY, FUEL VAPOR	1	
2	13370-88L10	.VALVE ASSY, NEEDLE	1	
3	15200-92J10	.PUMP ASSY, FUEL	1	
4	15626-92J10	.SEAL	1	
5	15628-99E00	.SCREW (L:15)	5	
6	15629-99E10	.SCREW, DRAIN	1	
7	15641-88L10	.SPACER	1	
8	15642-88L00	.FILTER ASSY	1	
9	15650-99E00	.FLOAT	1	
10	15654-88L00	.PIN	1	
11	15683-87J00	.HOSE, DRAIN (L:120)	1	
12	15760-88L00	.REGULATOR ASSY	1	
13	15644-88L10	.O RING	1	
14	15645-88L00	.HOLDER, REGULATOR	1	
15	13614-89J00	.SCREW	1	
16	13614-93J00	.SCREW	1	
17	15643-88L00	.JOINT	1	
18	15641-88L30	.BUSH	1	
19	15641-88L50	.BUSH	1	
20	15642-88L10	.FILTER	1	
21	15612-88L00	.COVER	1	
22	15613-88L00	.O RING	1	
23	15614-88L00	.SCREW	3	
24	15648-92J00	.RING	1	
25	15613-92J00	.GASKET	1	
26	09116-06202	BOLT (6X25)	3	
27	09169-06090	WASHER	3	
28	09320-09053	CUSHION	3	
29	09352-50823-600	HOSE (5X8.2X600)	1	L:600->460
30	09401-08412	CLIP	1	
31	18498-87JC0	PROTECTOR, EVAP HOSE	1	L:450->390
32	09403-12320	CLAMP	1	
33	01550-06127	BOLT	1	

FIG.34

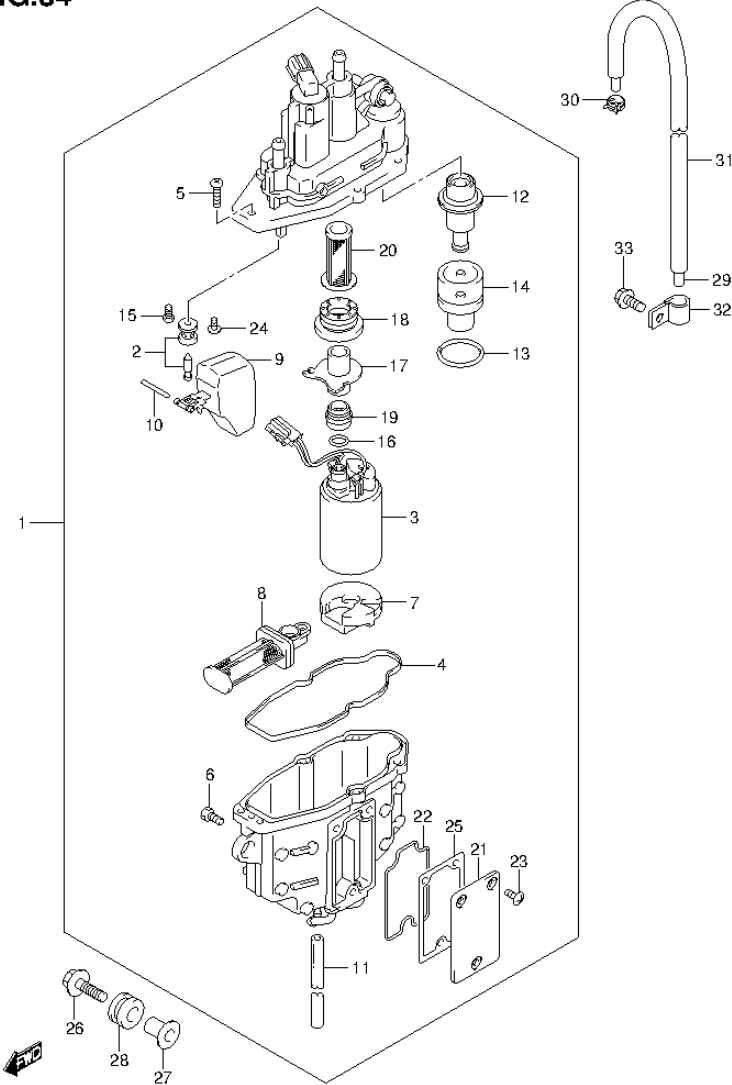


FIG.34 (1-E-3) FUEL VAPOR SEPARATOR (DF90A E01)

REF NO.	PART NO.	DESCRIPTION	Q'TY	REMARKS
1	15600-92J01	SEPARATOR ASSY, FUEL VAPOR	1	
2	13370-88L00	.VALVE ASSY, NEEDLE	1	
3	15200-92J00	.PUMP ASSY, FUEL	1	
4	15626-92J00	.SEAL	1	
5	15628-99E00	.SCREW (L:15)	5	
6	15629-99E10	.SCREW, DRAIN	1	
7	15641-88L00	.SPACER	1	
8	15642-88L00	.FILTER ASSY	1	
9	15650-99E00	.FLOAT	1	
10	15654-88L00	.PIN	1	
11	15683-87J00	.HOSE, DRAIN (L:120)	1	
12	15760-88L00	.REGULATOR ASSY	1	
13	15644-88L00	.O RING	1	
14	15645-88L00	.HOLDER, REGULATOR	1	
15	02112-0408A	.SCREW	1	
16	15648-92J00	.RING	1	
17	15643-88L00	.JOINT	1	
18	15641-88L20	.BUSH	1	
19	15641-88L40	.BUSH	1	
20	15642-88L10	.FILTER	1	
21	15612-88L00	.COVER	1	
22	15613-88L00	.O RING	1	
23	15614-88L00	.SCREW	3	
24	02142-0408B	.SCREW	1	
25	15613-92J00	.GASKET	1	
26	09116-06202	BOLT (6X25)	3	
27	09169-06090	WASHER	3	
28	09320-09053	CUSHION	3	
29	09352-50823-600	HOSE (5X8.2X600)	1	L:600->460
30	09401-08412	CLIP	1	
31	18498-87JC0	PROTECTOR, EVAP HOSE	1	L:450->390
32	09403-12320	CLAMP	1	
33	01550-06127	BOLT	1	

FIG.35

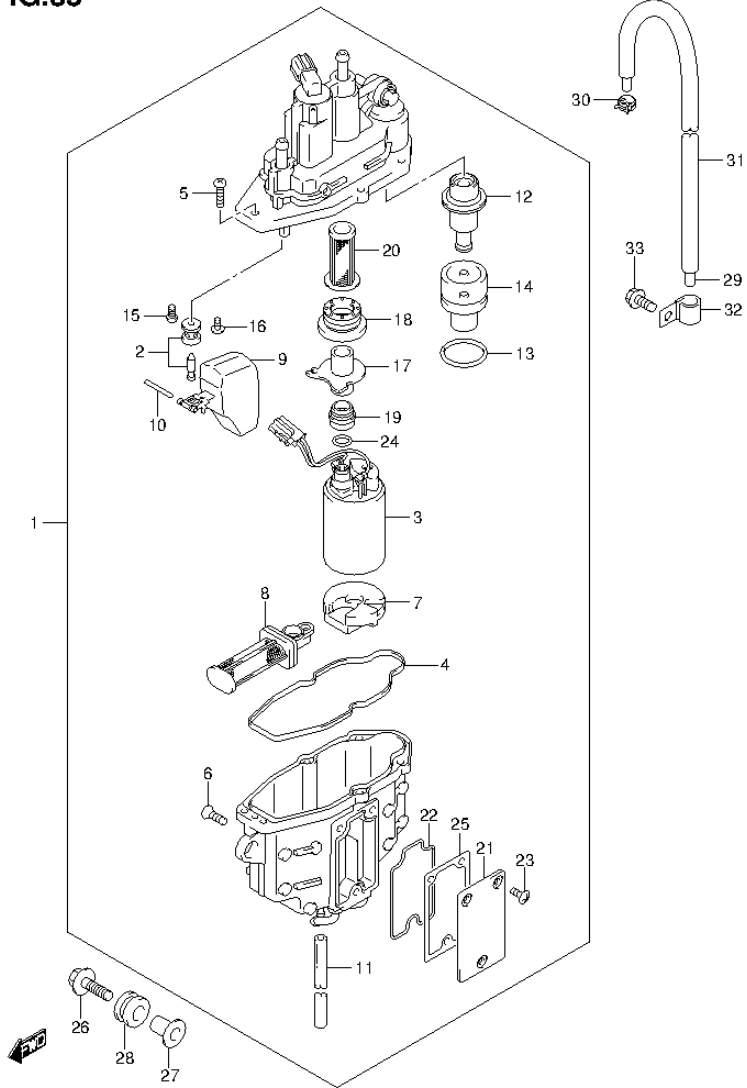


FIG.35 (1-E-4) FUEL VAPOR SEPARATOR (DF90A E40)

REF NO.	PART NO.	DESCRIPTION	Q'TY	REMARKS
1	15600-92J11	SEPARATOR ASSY, FUEL VAPOR	1	
2	13370-88L10	.VALVE ASSY, NEEDLE	1	
3	15200-92J10	.PUMP ASSY, FUEL	1	
4	15626-92J10	.SEAL	1	
5	15628-99E00	.SCREW (L:15)	5	
6	15629-99E10	.SCREW, DRAIN	1	
7	15641-88L10	.SPACER	1	
8	15642-88L00	.FILTER ASSY	1	
9	15650-99E00	.FLOAT	1	
10	15654-88L00	.PIN	1	
11	15683-87J00	.HOSE, DRAIN (L:120)	1	
12	15760-88L00	.REGULATOR ASSY	1	
13	15644-88L10	.O RING	1	
14	15645-88L00	.HOLDER, REGULATOR	1	
15	13614-89J00	.SCREW	1	
16	13614-93J00	.SCREW	1	
17	15643-88L00	.JOINT	1	
18	15641-88L30	.BUSH	1	
19	15641-88L50	.BUSH	1	
20	15642-88L10	.FILTER	1	
21	15612-88L00	.COVER	1	
22	15613-88L00	.O RING	1	
23	15614-88L00	.SCREW	3	
24	15648-92J00	.RING	1	
25	15613-92J00	.GASKET	1	
26	09116-06202	BOLT (6X25)	3	
27	09169-06090	WASHER	3	
28	09320-09053	CUSHION	3	
29	09352-50823-600	HOSE (5X8.2X600)	1	L:600->460
30	09401-08412	CLIP	1	
31	18498-87JC0	PROTECTOR, EVAP HOSE	1	L:450->390
32	09403-12320	CLAMP	1	
33	01550-06127	BOLT	1	

FIG.36

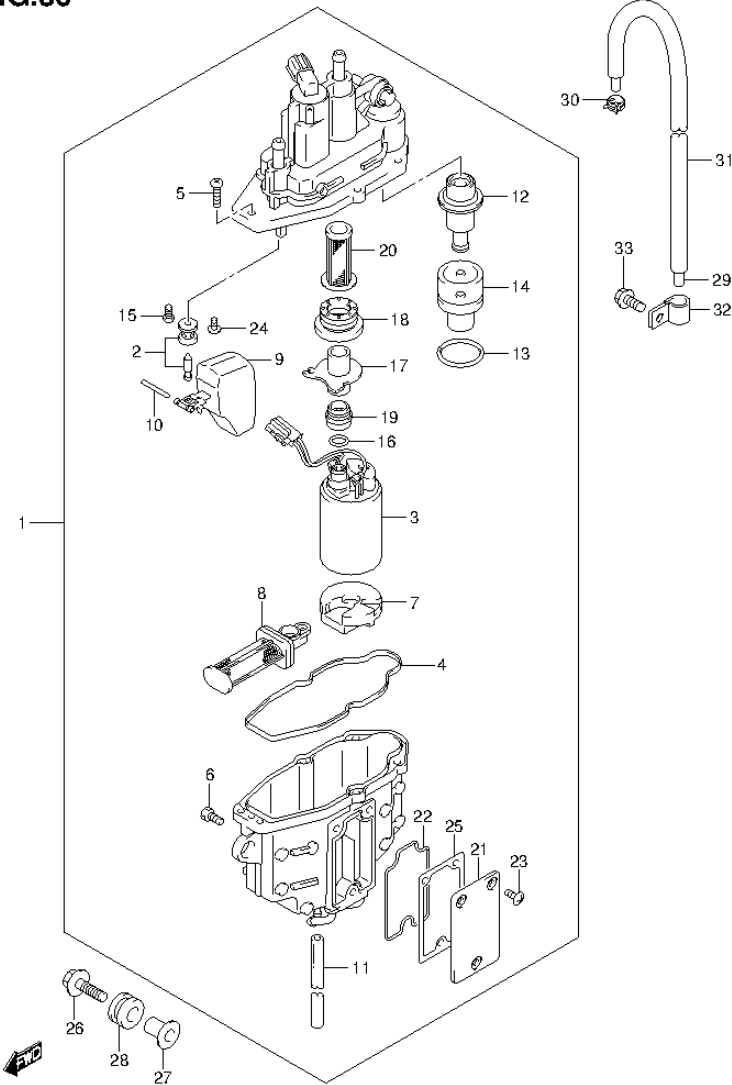


FIG.36 (1-E-5) FUEL VAPOR SEPARATOR (DF90ATH E01)

REF NO.	PART NO.	DESCRIPTION	Q'TY	REMARKS
1	15600-92J01	SEPARATOR ASSY, FUEL VAPOR	1	
2	13370-88L00	.VALVE ASSY, NEEDLE	1	
3	15200-92J00	.PUMP ASSY, FUEL	1	
4	15626-92J00	.SEAL	1	
5	15628-99E00	.SCREW (L:15)	5	
6	15629-99E10	.SCREW, DRAIN	1	
7	15641-88L00	.SPACER	1	
8	15642-88L00	.FILTER ASSY	1	
9	15650-99E00	.FLOAT	1	
10	15654-88L00	.PIN	1	
11	15683-87J00	.HOSE, DRAIN (L:120)	1	
12	15760-88L00	.REGULATOR ASSY	1	
13	15644-88L00	.O RING	1	
14	15645-88L00	.HOLDER, REGULATOR	1	
15	02112-0408A	.SCREW	1	
16	15648-92J00	.RING	1	
17	15643-88L00	.JOINT	1	
18	15641-88L20	.BUSH	1	
19	15641-88L40	.BUSH	1	
20	15642-88L10	.FILTER	1	
21	15612-88L00	.COVER	1	
22	15613-88L00	.O RING	1	
23	15614-88L00	.SCREW	3	
24	02142-0408B	.SCREW	1	
25	15613-92J00	.GASKET	1	
26	09116-06202	BOLT (6X25)	3	
27	09169-06090	WASHER	3	
28	09320-09053	CUSHION	3	
29	09352-50823-600	HOSE (5X8.2X600)	1	L:600->460
30	09401-08412	CLIP	1	
31	18498-87JC0	PROTECTOR, EVAP HOSE	1	L:450->390
32	09403-12320	CLAMP	1	
33	01550-06127	BOLT	1	

FIG.37

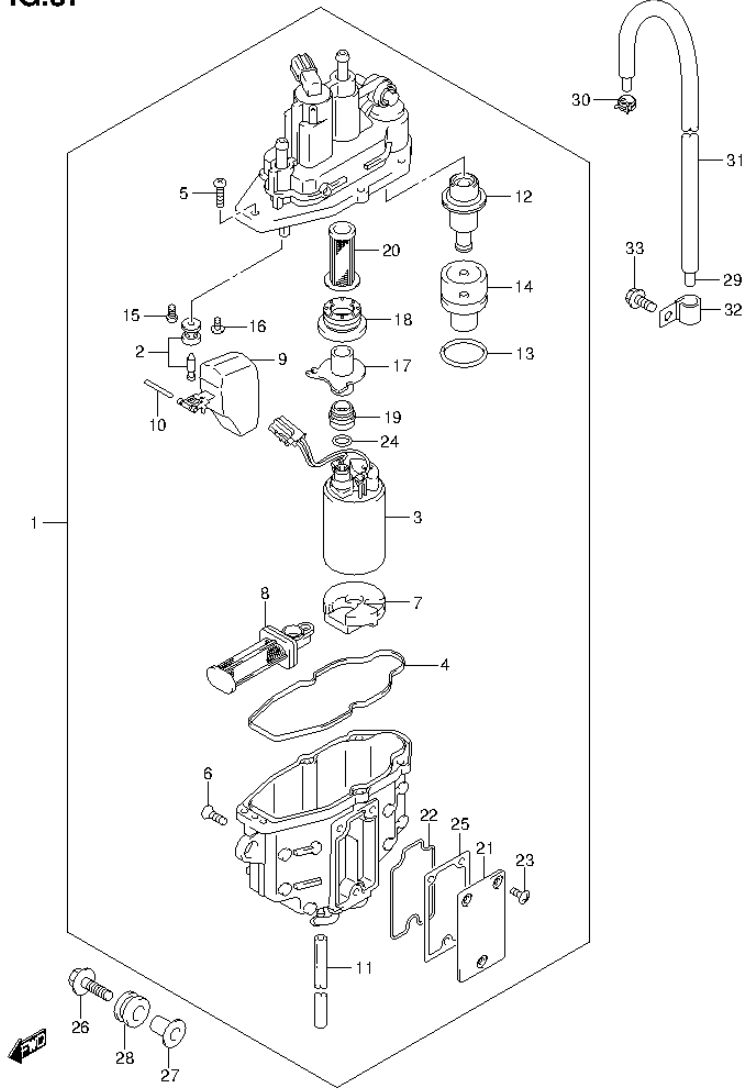


FIG.37 (1-E-6) FUEL VAPOR SEPARATOR (DF90ATH E40)

REF NO.	PART NO.	DESCRIPTION	Q'TY	REMARKS
1	15600-92J11	SEPARATOR ASSY, FUEL VAPOR	1	
2	13370-88L10	.VALVE ASSY, NEEDLE	1	
3	15200-92J10	.PUMP ASSY, FUEL	1	
4	15626-92J10	.SEAL	1	
5	15628-99E00	.SCREW (L:15)	5	
6	15629-99E10	.SCREW, DRAIN	1	
7	15641-88L10	.SPACER	1	
8	15642-88L00	.FILTER ASSY	1	
9	15650-99E00	.FLOAT	1	
10	15654-88L00	.PIN	1	
11	15683-87J00	.HOSE, DRAIN (L:120)	1	
12	15760-88L00	.REGULATOR ASSY	1	
13	15644-88L10	.O RING	1	
14	15645-88L00	.HOLDER, REGULATOR	1	
15	13614-89J00	.SCREW	1	
16	13614-93J00	.SCREW	1	
17	15643-88L00	.JOINT	1	
18	15641-88L30	.BUSH	1	
19	15641-88L50	.BUSH	1	
20	15642-88L10	.FILTER	1	
21	15612-88L00	.COVER	1	
22	15613-88L00	.O RING	1	
23	15614-88L00	.SCREW	3	
24	15648-92J00	.RING	1	
25	15613-92J00	.GASKET	1	
26	09116-06202	BOLT (6X25)	3	
27	09169-06090	WASHER	3	
28	09320-09053	CUSHION	3	
29	09352-50823-600	HOSE (5X8.2X600)	1	L:600->460
30	09401-08412	CLIP	1	
31	18498-87JC0	PROTECTOR, EVAP HOSE	1	L:450->390
32	09403-12320	CLAMP	1	
33	01550-06127	BOLT	1	

FIG.38

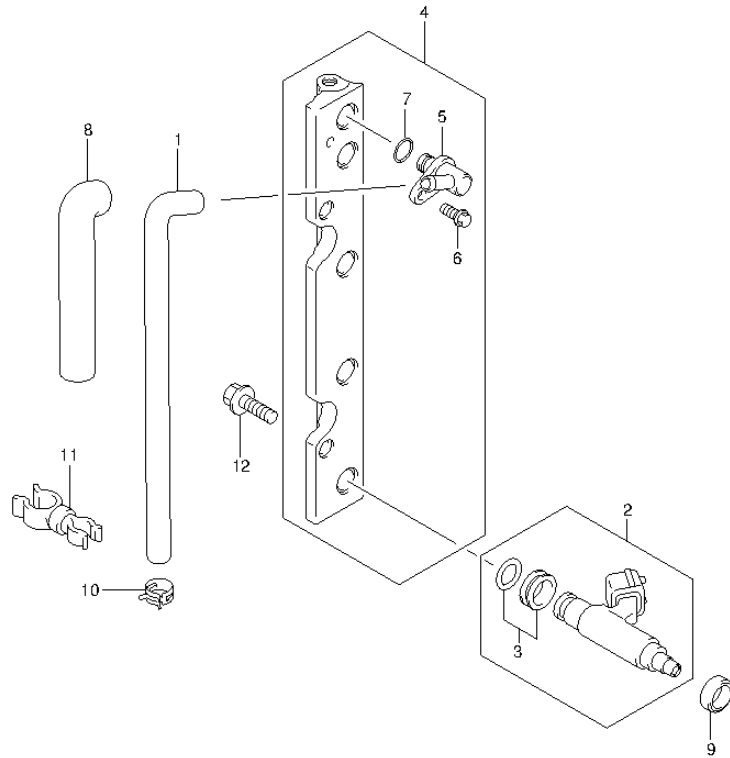


FIG.38 (1-E-7) FUEL INJECTOR (DF70A E01)

REF NO.	PART NO.	DESCRIPTION	Q'TY	REMARKS
1	15681-92J00	HOSE, FUEL (SEPARATOR TO DLVY)	1	
2	15710-82K50	INJECTOR ASSY, FUEL	4	
3	15716-65DT0	.GROMMET SET, FUEL INJECTOR	4	
4	15750-87L30	PIPECOMP, DELIVERY	1	
5	15830-87L30	.JOINTCOMP, FUEL MAIN	1	
6	09103-06281	.BOLT (6X14)	1	
7	09280-08012	.O RING (D:1.9,ID:7.8)	1	
8	18498-99E20	PROTECTOR, FUELHOSE	1	
9	09320-08062	CUSHION	4	
10	09401-11425	CLIP	2	
11	09408-00233	CLAMP	1	
12	01550-08257	BOLT	2	



FIG.39

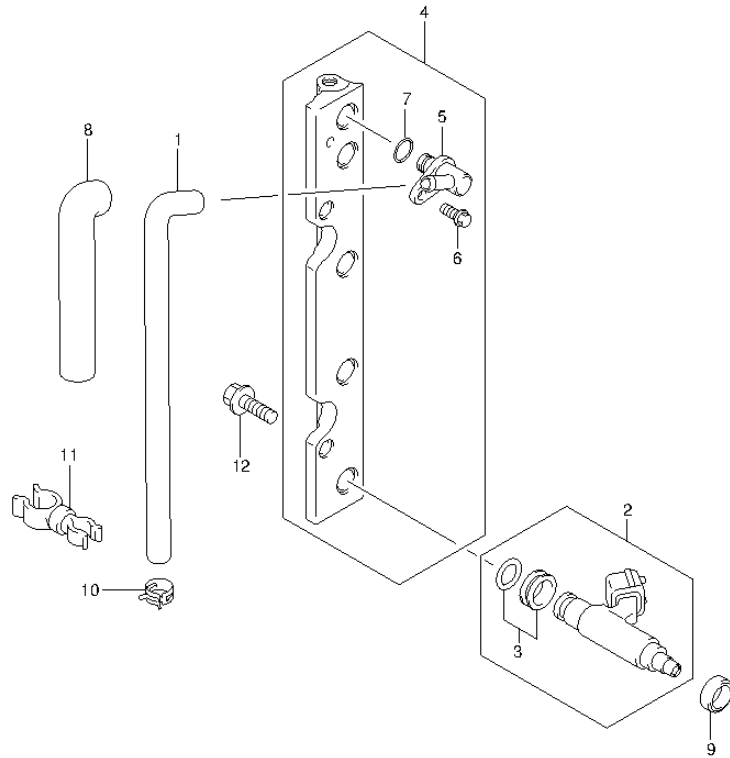


FIG.39 (1-E-8) FUEL INJECTOR (DF70A E40)

REF NO.	PART NO.	DESCRIPTION	Q'TY	REMARKS
1	15681-92J00	HOSE, FUEL (SEPARATOR TO DLVY)	1	
2	15710-82K50	INJECTOR ASSY, FUEL	4	
3	15716-65DT0	.GROMMET SET, FUEL INJECTOR	4	
4	15750-87L40	PIPECOMP, DELIVERY	1	
5	15830-87L40	.JOINTCOMP, FUEL MAIN	1	
6	09103-06281	.BOLT (6X14)	1	
7	09280-08012	.O RING (D:1.9,ID:7.8)	1	
8	18498-99E20	PROTECTOR, FUELHOSE	1	
9	09320-08062	CUSHION	4	
10	09401-11425	CLIP	2	
11	09408-00233	CLAMP	1	
12	01550-08257	BOLT	2	



FIG.40

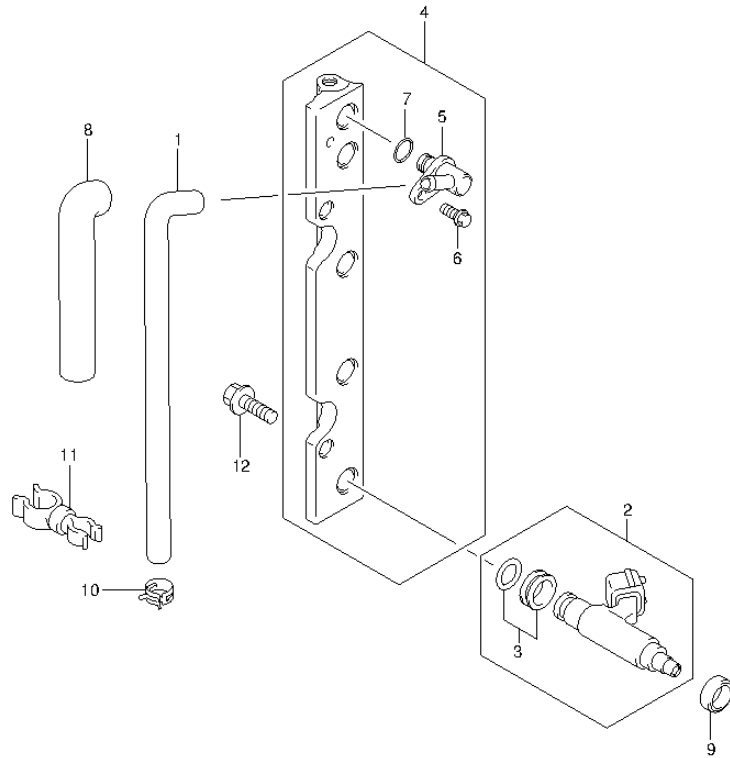


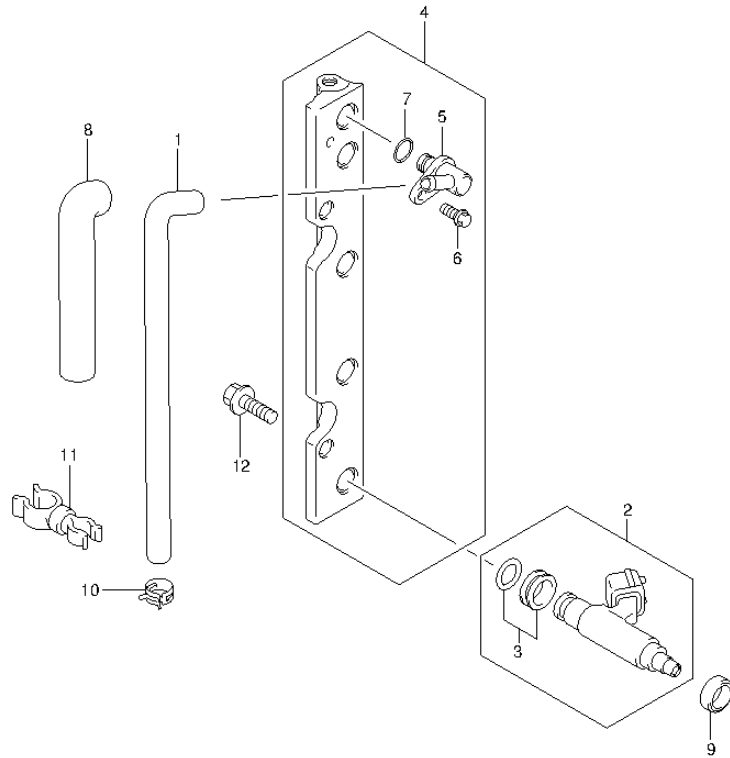
FIG.40 (1-E-9) FUEL INJECTOR (DF70ATH E01)

REF NO.	PART NO.	DESCRIPTION	Q'TY	REMARKS
1	15681-92J00	HOSE, FUEL (SEPARATOR TO DLVY)	1	
2	15710-82K50	INJECTOR ASSY, FUEL	4	
3	15716-65DT0	.GROMMET SET, FUEL INJECTOR	4	
4	15750-87L30	PIPECOMP, DELIVERY	1	
5	15830-87L30	.JOINTCOMP, FUEL MAIN	1	
6	09103-06281	.BOLT (6X14)	1	
7	09280-08012	.O RING (D:1.9,ID:7.8)	1	
8	18498-99E20	PROTECTOR, FUELHOSE	1	
9	09320-08062	CUSHION	4	
10	09401-11425	CLIP	2	
11	09408-00233	CLAMP	1	
12	01550-08257	BOLT	2	



FIG.41

FIG.41 (1-E-10) FUEL INJECTOR (DF70ATH E40)



REF NO.	PART NO.	DESCRIPTION	Q'TY	REMARKS
1	15681-92J00	HOSE, FUEL (SEPARATOR TO DLVY)	1	
2	15710-82K50	INJECTOR ASSY, FUEL	4	
3	15716-65DT0	.GROMMET SET, FUEL INJECTOR	4	
4	15750-87L40	PIPECOMP, DELIVERY	1	
5	15830-87L40	.JOINTCOMP, FUEL MAIN	1	
6	09103-06281	.BOLT (6X14)	1	
7	09280-08012	.O RING (D:1.9,ID:7.8)	1	
8	18498-99E20	PROTECTOR, FUELHOSE	1	
9	09320-08062	CUSHION	4	
10	09401-11425	CLIP	2	
11	09408-00233	CLAMP	1	
12	01550-08257	BOLT	2	



FIG.42

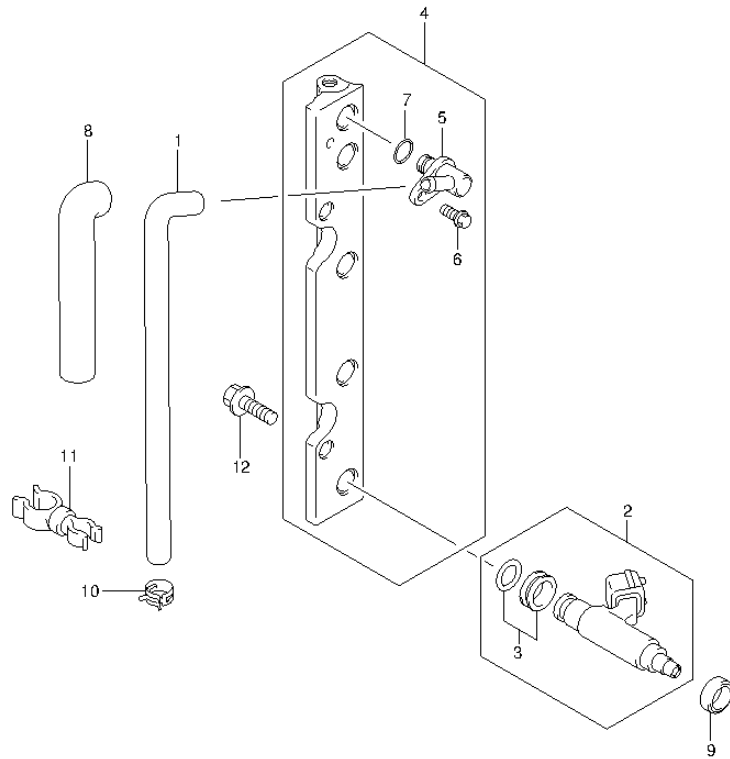


FIG.42 (1-E-11) FUEL INJECTOR (DF80A E01)

REF NO.	PART NO.	DESCRIPTION	Q'TY	REMARKS
1	15681-92J00	HOSE, FUEL (SEPARATOR TO DLVY)	1	
2	15710-82K50	INJECTOR ASSY, FUEL	4	
3	15716-65DT0	.GROMMET SET, FUEL INJECTOR	4	
4	15750-87L30	PIPECOMP, DELIVERY	1	
5	15830-87L30	.JOINTCOMP, FUEL MAIN	1	
6	09103-06281	.BOLT (6X14)	1	
7	09280-08012	.O RING (D:1.9,ID:7.8)	1	
8	18498-99E20	PROTECTOR, FUELHOSE	1	
9	09320-08062	CUSHION	4	
10	09401-11425	CLIP	2	
11	09408-00233	CLAMP	1	
12	01550-08257	BOLT	2	



FIG.43

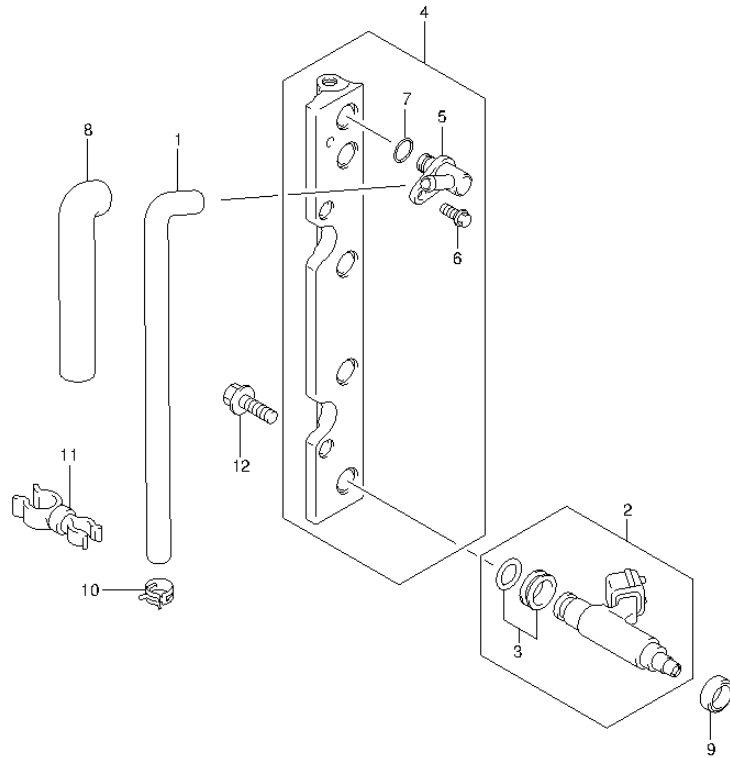


FIG.43 (1-E-12) FUEL INJECTOR (DF80A E40)

REF NO.	PART NO.	DESCRIPTION	Q'TY	REMARKS
1	15681-92J00	HOSE, FUEL (SEPARATOR TO DLVY)	1	
2	15710-82K50	INJECTOR ASSY, FUEL	4	
3	15716-65DT0	.GROMMET SET, FUEL INJECTOR	4	
4	15750-87L40	PIPECOMP, DELIVERY	1	
5	15830-87L40	.JOINTCOMP, FUEL MAIN	1	
6	09103-06281	.BOLT (6X14)	1	
7	09280-08012	.O RING (D:1.9,ID:7.8)	1	
8	18498-99E20	PROTECTOR, FUELHOSE	1	
9	09320-08062	CUSHION	4	
10	09401-11425	CLIP	2	
11	09408-00233	CLAMP	1	
12	01550-08257	BOLT	2	



FIG.44

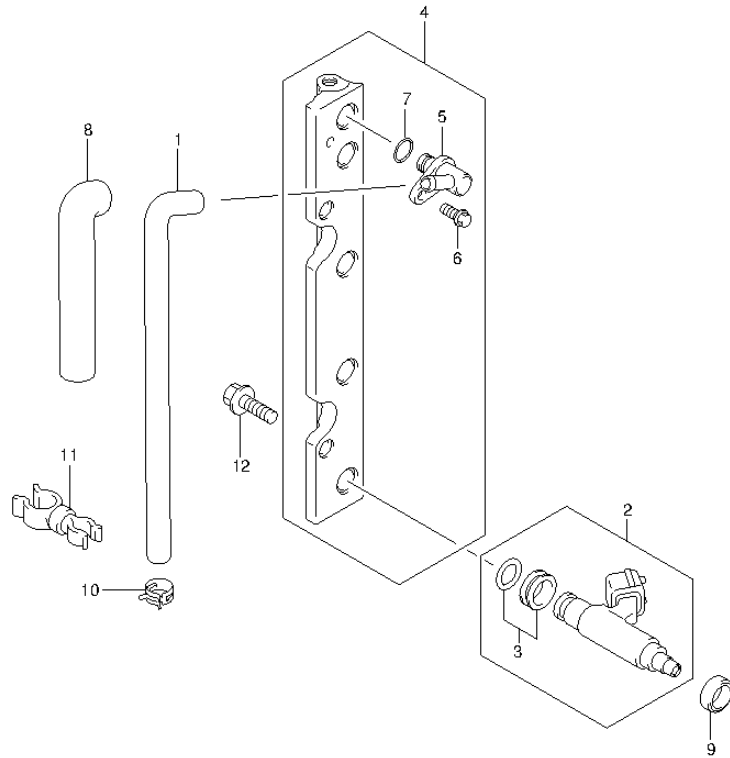


FIG.44 (1-E-13) FUEL INJECTOR (DF90A E01)

REF NO.	PART NO.	DESCRIPTION	Q'TY	REMARKS
1	15681-92J00	HOSE, FUEL (SEPARATOR TO DLVY)	1	
2	15710-82K50	INJECTOR ASSY, FUEL	4	
3	15716-65DT0	.GROMMET SET, FUEL INJECTOR	4	
4	15750-87L30	PIPECOMP, DELIVERY	1	
5	15830-87L30	.JOINTCOMP, FUEL MAIN	1	
6	09103-06281	.BOLT (6X14)	1	
7	09280-08012	.O RING (D:1.9,ID:7.8)	1	
8	18498-99E20	PROTECTOR, FUELHOSE	1	
9	09320-08062	CUSHION	4	
10	09401-11425	CLIP	2	
11	09408-00233	CLAMP	1	
12	01550-08257	BOLT	2	



FIG.45

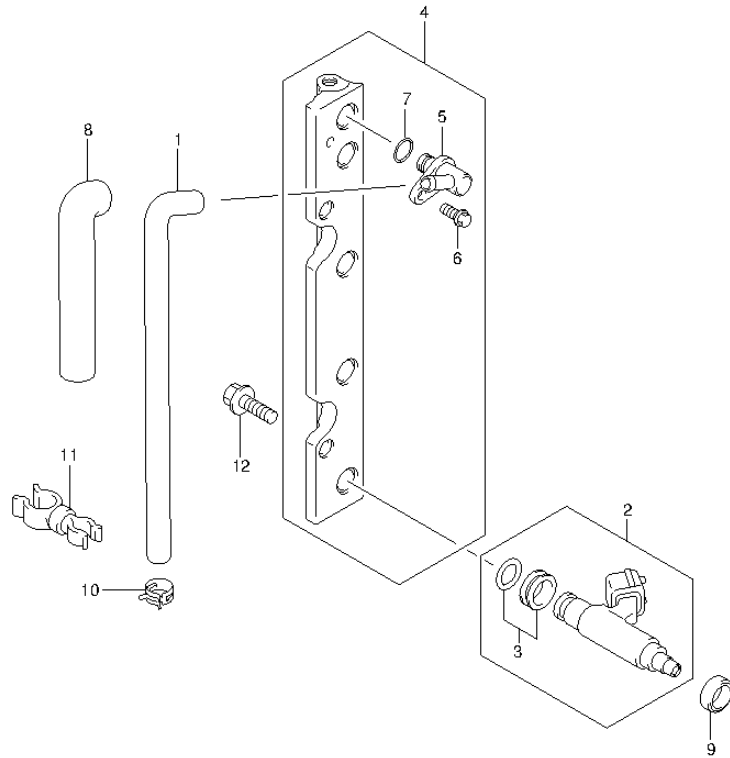


FIG.45 (1-E-14) FUEL INJECTOR (DF90A E40)

REF NO.	PART NO.	DESCRIPTION	Q'TY	REMARKS
1	15681-92J00	HOSE, FUEL (SEPARATOR TO DLVY)	1	
2	15710-82K50	INJECTOR ASSY, FUEL	4	
3	15716-65DT0	.GROMMET SET, FUEL INJECTOR	4	
4	15750-87L40	PIPECOMP, DELIVERY	1	
5	15830-87L40	.JOINTCOMP, FUEL MAIN	1	
6	09103-06281	.BOLT (6X14)	1	
7	09280-08012	.O RING (D:1.9,ID:7.8)	1	
8	18498-99E20	PROTECTOR, FUELHOSE	1	
9	09320-08062	CUSHION	4	
10	09401-11425	CLIP	2	
11	09408-00233	CLAMP	1	
12	01550-08257	BOLT	2	



FIG.46

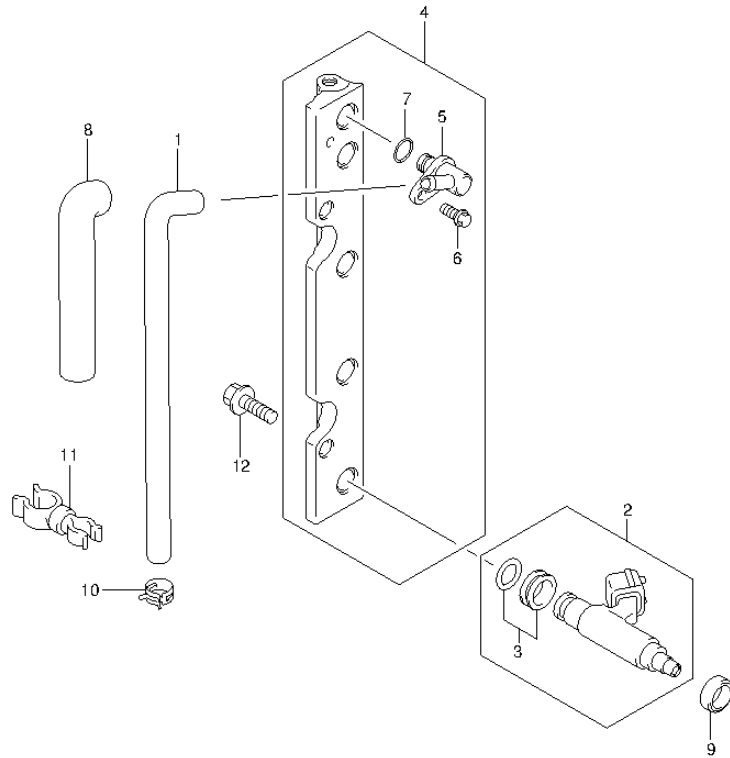


FIG.46 (1-E-15) FUEL INJECTOR (DF90ATH E01)

REF NO.	PART NO.	DESCRIPTION	Q'TY	REMARKS
1	15681-92J00	HOSE, FUEL (SEPARATOR TO DLVY)	1	
2	15710-82K50	INJECTOR ASSY, FUEL	4	
3	15716-65DT0	.GROMMET SET, FUEL INJECTOR	4	
4	15750-87L30	PIPECOMP, DELIVERY	1	
5	15830-87L30	.JOINTCOMP, FUEL MAIN	1	
6	09103-06281	.BOLT (6X14)	1	
7	09280-08012	.O RING (D:1.9,ID:7.8)	1	
8	18498-99E20	PROTECTOR, FUELHOSE	1	
9	09320-08062	CUSHION	4	
10	09401-11425	CLIP	2	
11	09408-00233	CLAMP	1	
12	01550-08257	BOLT	2	



FIG.47

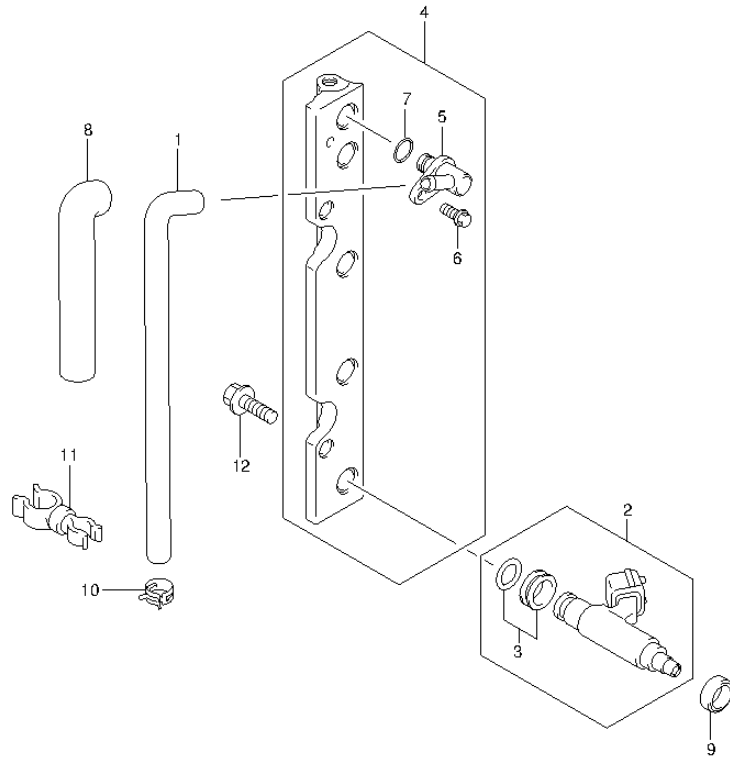


FIG.47 (1-F-2) FUEL INJECTOR (DF90ATH E40)

REF NO.	PART NO.	DESCRIPTION	Q'TY	REMARKS
1	15681-92J00	HOSE, FUEL (SEPARATOR TO DLVY)	1	
2	15710-82K50	INJECTOR ASSY, FUEL	4	
3	15716-65DT0	.GROMMET SET, FUEL INJECTOR	4	
4	15750-87L40	PIPECOMP, DELIVERY	1	
5	15830-87L40	.JOINTCOMP, FUEL MAIN	1	
6	09103-06281	.BOLT (6X14)	1	
7	09280-08012	.O RING (D:1.9,ID:7.8)	1	
8	18498-99E20	PROTECTOR, FUELHOSE	1	
9	09320-08062	CUSHION	4	
10	09401-11425	CLIP	2	
11	09408-00233	CLAMP	1	
12	01550-08257	BOLT	2	



FIG.48

FIG.48 (1-F-3) FUEL PUMP

REF NO.	PART NO.	DESCRIPTION	Q'TY	REMARKS
1	15100-90J11	PUMP ASSY, FUEL	1	
2	01550-06257	BOLT	2	
3	09280-26005	O RING (D:2.4, ID:26.2)	1	
4	15410-87L00	FILTER, FUEL	1	
5	15419-87J00	.CAP, FUEL FILTER	1	
6	09401-11423	.CLIP	1	
7	15422-96J00	CLAMP, FILTER	1	
8	15421-87L00	BRACKET, FUEL FILTER	1	
9	01550-06167	BOLT	2	
10	15190-90J30	HOSE, FUEL (JOINT TO FILTER)	1	
11	15192-87L11	HOSE, FUEL (FILTER TO PUMP)	1	
12	09343-70503-600	HOSE (7X12X600)	1	L:600->510
13	18498-99E10	PROTECTOR, FUEL HOSE	1	L:610->340
14	18498-99E10	PROTECTOR, FUEL HOSE	1	L:610->450
15	09401-11423	CLIP	5	

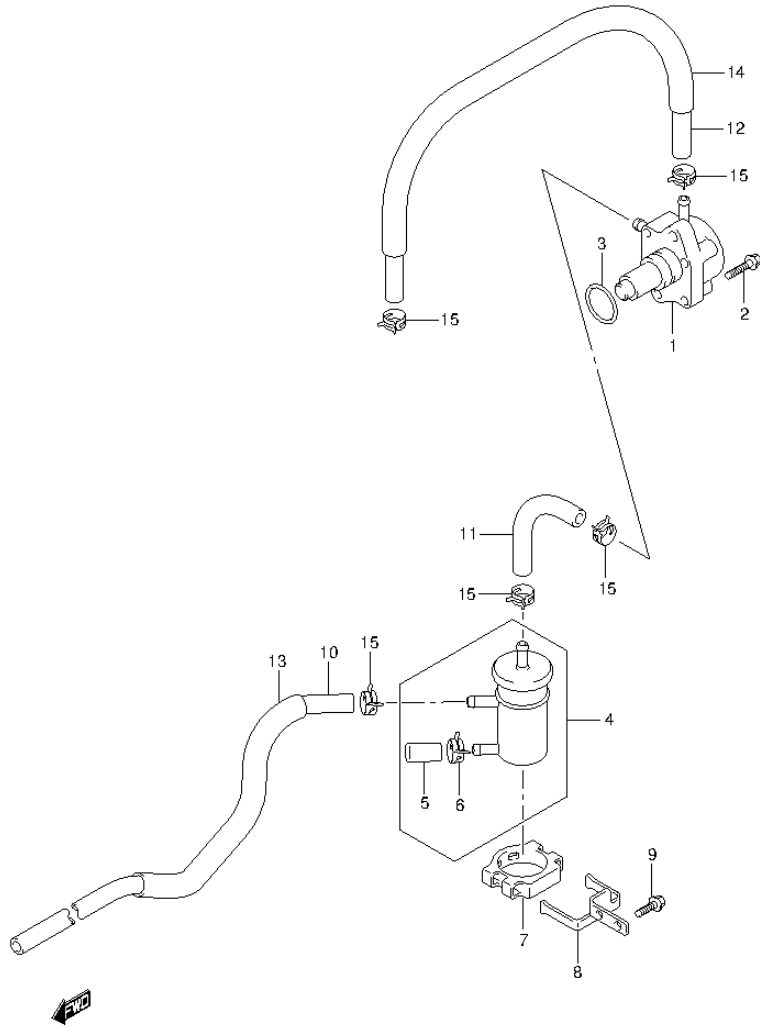


FIG.49

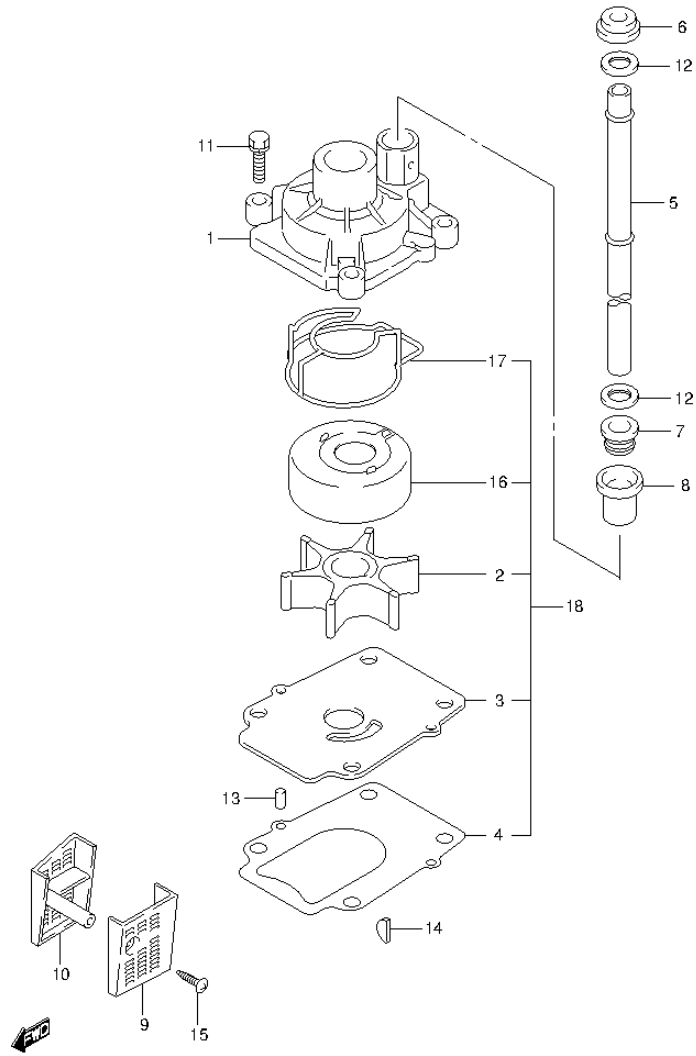


FIG.49 (1-F-4) WATER PUMP (DF70A E01)

REF NO.	PART NO.	DESCRIPTION	Q'TY	REMARKS
1	17410-99E10	CASE, WATER PUMP	1	
2	17461-87E12	IMPELLER, WATER PUMP	1	
3	17471-87L00	PANEL, PUMP CASE UNDER	1	
4	17472-87L00	GASKET, PUMP CASE PANEL	1	
5-1	17561-87L20	TUBE, WATER (L)	1	W/TRANSOM(L)
5-2	17561-87L30	TUBE, WATER (X)	1	W/TRANSOM(X)
6	17562-87L00	BUSH, WATER TUBE UPPER	1	
7	17563-87D00	BUSH, WATER TUBE LOWER	1	
8	17564-87D00	BUSH, WATER PUMP CASE	1	
9	17631-87L00	FILTER, WATER PORT SIDE	1	
10	17632-87L00	FILTER, WATER STBD SIDE	1	
11	29116-93J10	BOLT	4	
12	09161-16008	WASHER (15.8X26X1)	2	
13	09202-06031	PIN (6X12)	2	
14	09420-04009	KEY	1	
15	09132-04034	SCREW (4X18)	1	
16	17413-99E11	SLEEVE, WATER PUMP CASE	1	
17	17416-99E10	SEALING, WATER PUMP CASE NO.1	1	
18	17400-87L01	WATER PUMP REPAIR KIT	1	OPT

FIG.50

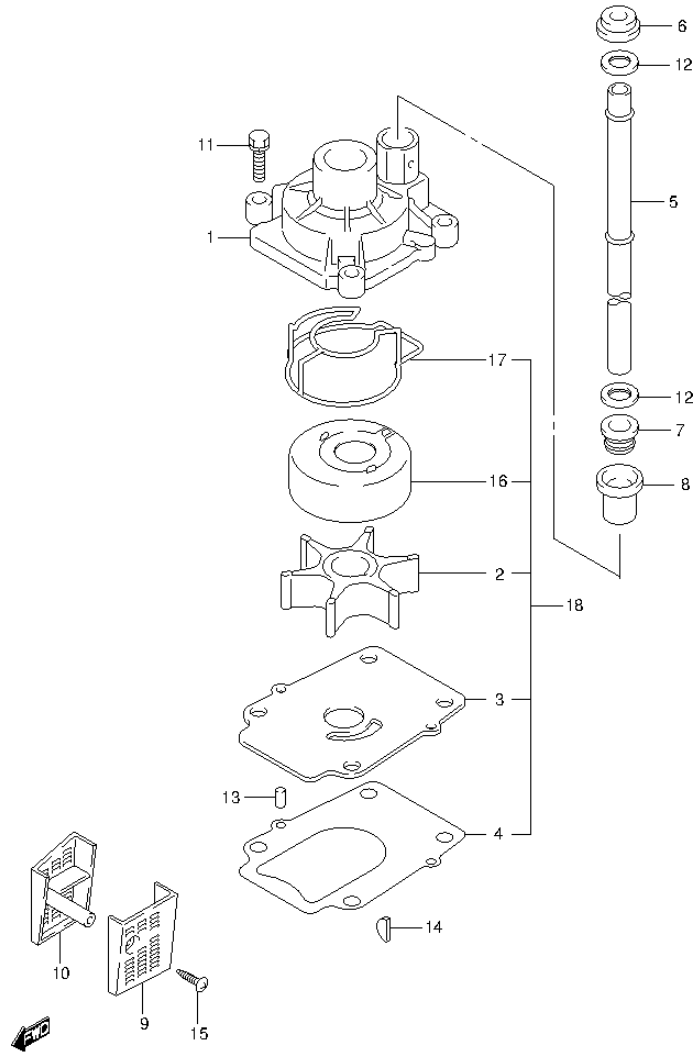


FIG.50 (1-F-5) WATER PUMP (DF70A E40)

REF NO.	PART NO.	DESCRIPTION	Q'TY	REMARKS
1	17410-99E10	CASE, WATER PUMP	1	
2	17461-87E12	IMPELLER, WATER PUMP	1	
3	17471-87L10	PANEL, PUMP CASE UNDER	1	
4	17472-87L00	GASKET, PUMP CASE PANEL	1	
5-1	17561-87L20	TUBE, WATER (L)	1	W/TRANSOM(L)
5-2	17561-87L30	TUBE, WATER (X)	1	W/TRANSOM(X)
6	17562-87L00	BUSH, WATER TUBE UPPER	1	
7	17563-87D00	BUSH, WATER TUBE LOWER	1	
8	17564-87D00	BUSH, WATER PUMP CASE	1	
9	17631-87L00	FILTER, WATER PORT SIDE	1	
10	17632-87L00	FILTER, WATER STBD SIDE	1	
11	29116-93J10	BOLT	4	
12	09161-16008	WASHER (15.8X26X1)	2	
13	09202-06031	PIN (6X12)	2	
14	09420-04009	KEY	1	
15	09132-04034	SCREW (4X18)	1	
16	17413-99E21	SLEEVE, WATER PUMP CASE	1	
17	17416-99E10	SEALING, WATER PUMP CASE NO.1	1	
18	17400-87L01	WATER PUMP REPAIR KIT	1	OPT

FIG.51

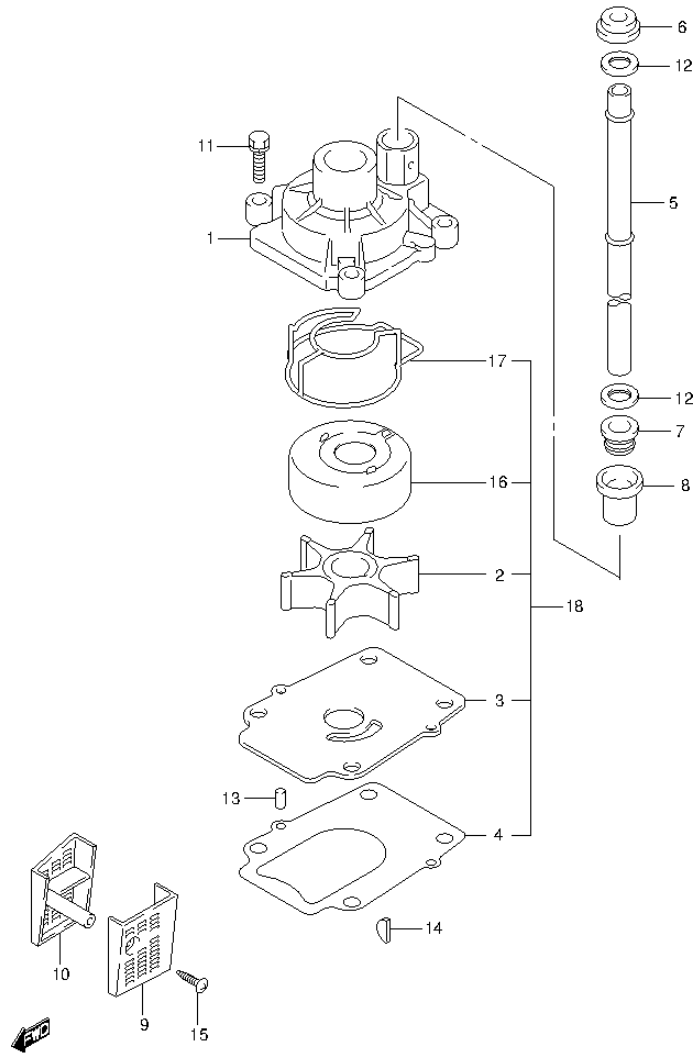


FIG.51 (1-F-6) WATER PUMP (DF70ATH E01)

REF NO.	PART NO.	DESCRIPTION	Q'TY	REMARKS
1	17410-99E10	CASE, WATER PUMP	1	
2	17461-87E12	IMPELLER, WATER PUMP	1	
3	17471-87L00	PANEL, PUMP CASE UNDER	1	
4	17472-87L00	GASKET, PUMP CASE PANEL	1	
5-1	17561-87L20	TUBE, WATER (L)	1	W/TRANSOM(L)
5-2	17561-87L30	TUBE, WATER (X)	1	W/TRANSOM(X)
6	17562-87L00	BUSH, WATER TUBE UPPER	1	
7	17563-87D00	BUSH, WATER TUBE LOWER	1	
8	17564-87D00	BUSH, WATER PUMP CASE	1	
9	17631-87L00	FILTER, WATER PORT SIDE	1	
10	17632-87L00	FILTER, WATER STBD SIDE	1	
11	29116-93J10	BOLT	4	
12	09161-16008	WASHER (15.8X26X1)	2	
13	09202-06031	PIN (6X12)	2	
14	09420-04009	KEY	1	
15	09132-04034	SCREW (4X18)	1	
16	17413-99E11	SLEEVE, WATER PUMP CASE	1	
17	17416-99E10	SEALING, WATER PUMP CASE NO.1	1	
18	17400-87L01	WATER PUMP REPAIR KIT	1	OPT

FIG.52

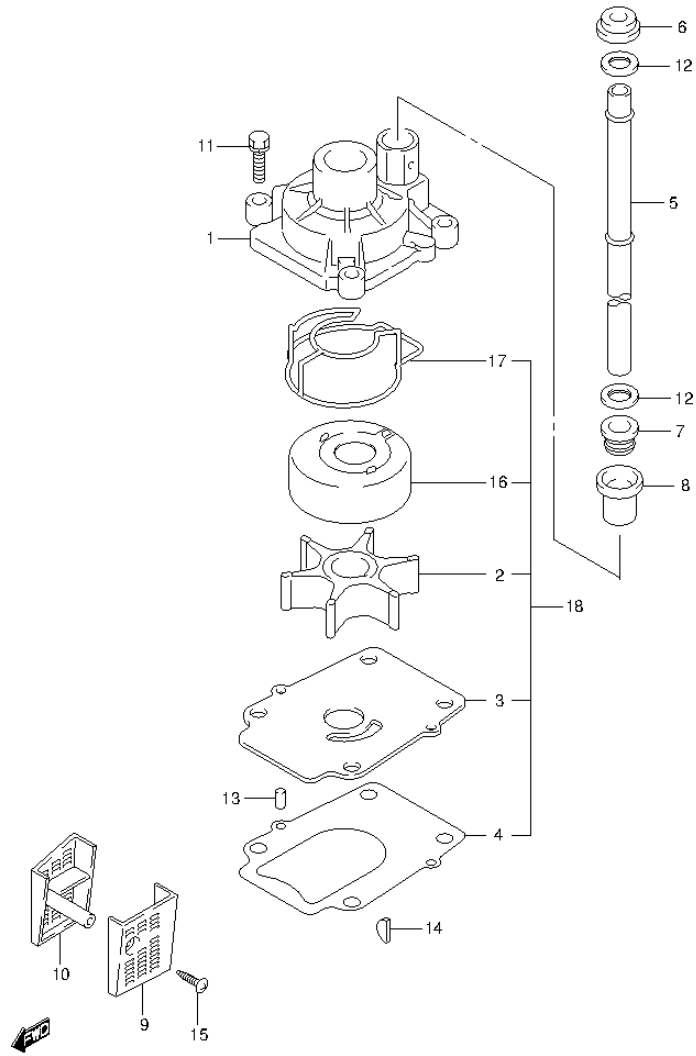


FIG.52 (1-F-7) WATER PUMP (DF70ATH E40)

REF NO.	PART NO.	DESCRIPTION	Q'TY	REMARKS
1	17410-99E10	CASE, WATER PUMP	1	
2	17461-87E12	IMPELLER, WATER PUMP	1	
3	17471-87L10	PANEL, PUMP CASE UNDER	1	
4	17472-87L00	GASKET, PUMP CASE PANEL	1	
5-1	17561-87L20	TUBE, WATER (L)	1	W/TRANSOM(L)
5-2	17561-87L30	TUBE, WATER (X)	1	W/TRANSOM(X)
6	17562-87L00	BUSH, WATER TUBE UPPER	1	
7	17563-87D00	BUSH, WATER TUBE LOWER	1	
8	17564-87D00	BUSH, WATER PUMP CASE	1	
9	17631-87L00	FILTER, WATER PORT SIDE	1	
10	17632-87L00	FILTER, WATER STBD SIDE	1	
11	29116-93J10	BOLT	4	
12	09161-16008	WASHER (15.8X26X1)	2	
13	09202-06031	PIN (6X12)	2	
14	09420-04009	KEY	1	
15	09132-04034	SCREW (4X18)	1	
16	17413-99E21	SLEEVE, WATER PUMP CASE	1	
17	17416-99E10	SEALING, WATER PUMP CASE NO.1	1	
18	17400-87L01	WATER PUMP REPAIR KIT	1	OPT

FIG.53

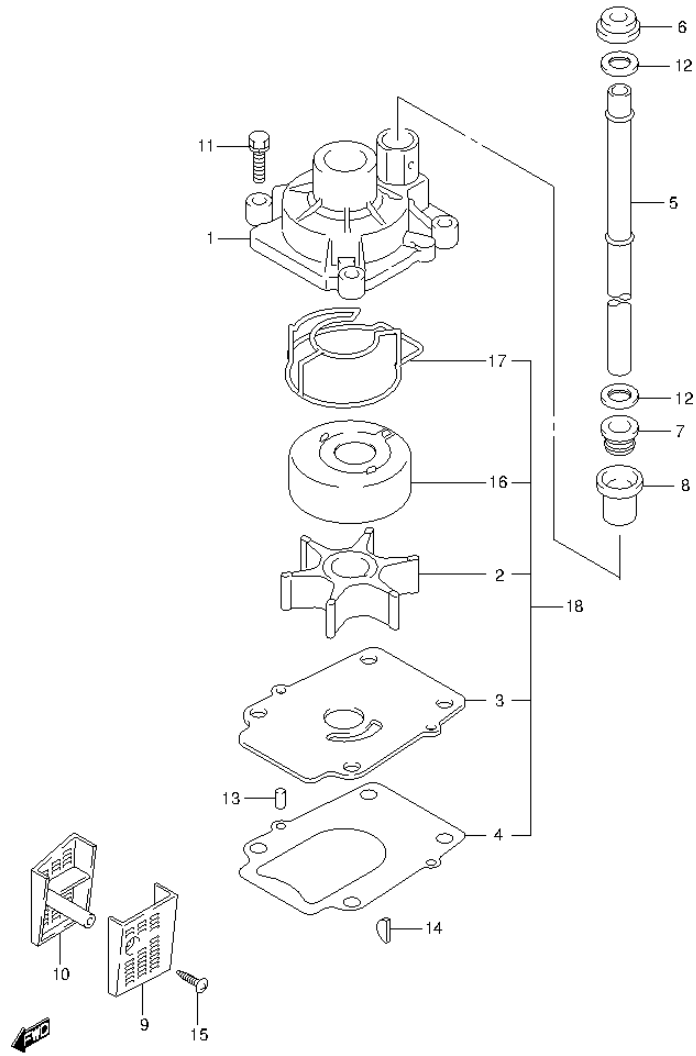


FIG.53 (1-F-8) WATER PUMP (DF80A E01)

REF NO.	PART NO.	DESCRIPTION	Q'TY	REMARKS
1	17410-99E10	CASE, WATER PUMP	1	
2	17461-87E12	IMPELLER, WATER PUMP	1	
3	17471-87L00	PANEL, PUMP CASE UNDER	1	
4	17472-87L00	GASKET, PUMP CASE PANEL	1	
5-1	17561-87L20	TUBE, WATER (L)	1	W/TRANSOM(L)
5-2	17561-87L30	TUBE, WATER (X)	1	W/TRANSOM(X)
6	17562-87L00	BUSH, WATER TUBE UPPER	1	
7	17563-87D00	BUSH, WATER TUBE LOWER	1	
8	17564-87D00	BUSH, WATER PUMP CASE	1	
9	17631-87L00	FILTER, WATER PORT SIDE	1	
10	17632-87L00	FILTER, WATER STBD SIDE	1	
11	29116-93J10	BOLT	4	
12	09161-16008	WASHER (15.8X26X1)	2	
13	09202-06031	PIN (6X12)	2	
14	09420-04009	KEY	1	
15	09132-04034	SCREW (4X18)	1	
16	17413-99E11	SLEEVE, WATER PUMP CASE	1	
17	17416-99E10	SEALING, WATER PUMP CASE NO.1	1	
18	17400-87L01	WATER PUMP REPAIR KIT	1	OPT

FIG.54

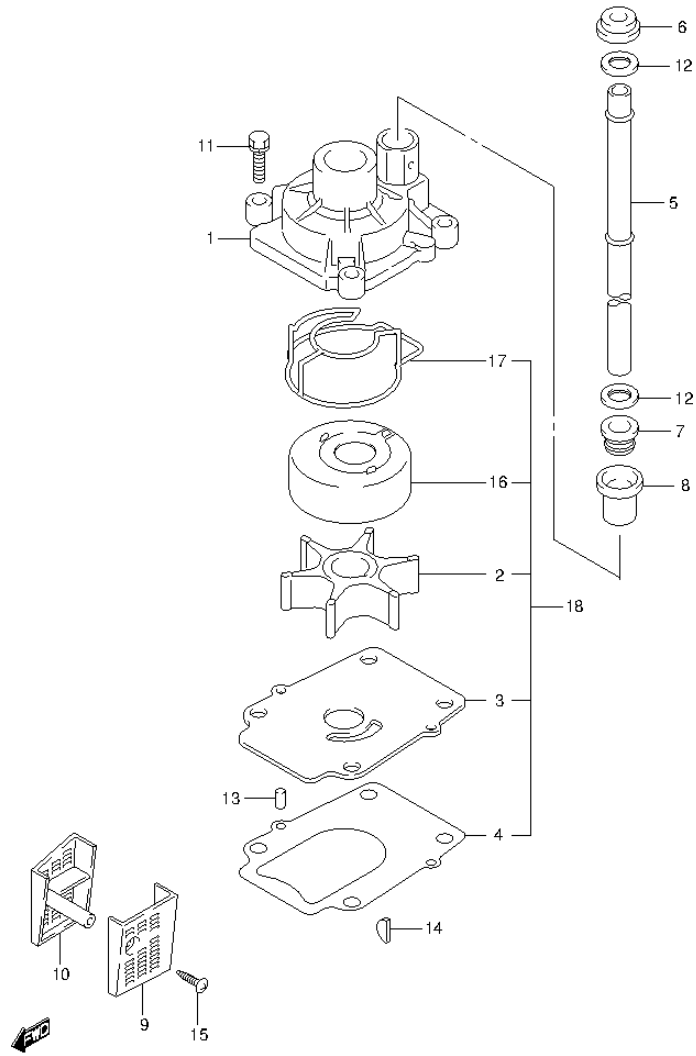


FIG.54 (1-F-9) WATER PUMP (DF80A E40)

REF NO.	PART NO.	DESCRIPTION	Q'TY	REMARKS
1	17410-99E10	CASE, WATER PUMP	1	
2	17461-87E12	IMPELLER, WATER PUMP	1	
3	17471-87L10	PANEL, PUMP CASE UNDER	1	
4	17472-87L00	GASKET, PUMP CASE PANEL	1	
5-1	17561-87L20	TUBE, WATER (L)	1	W/TRANSOM(L)
5-2	17561-87L30	TUBE, WATER (X)	1	W/TRANSOM(X)
6	17562-87L00	BUSH, WATER TUBE UPPER	1	
7	17563-87D00	BUSH, WATER TUBE LOWER	1	
8	17564-87D00	BUSH, WATER PUMP CASE	1	
9	17631-87L00	FILTER, WATER PORT SIDE	1	
10	17632-87L00	FILTER, WATER STBD SIDE	1	
11	29116-93J10	BOLT	4	
12	09161-16008	WASHER (15.8X26X1)	2	
13	09202-06031	PIN (6X12)	2	
14	09420-04009	KEY	1	
15	09132-04034	SCREW (4X18)	1	
16	17413-99E21	SLEEVE, WATER PUMP CASE	1	
17	17416-99E10	SEALING, WATER PUMP CASE NO.1	1	
18	17400-87L01	WATER PUMP REPAIR KIT	1	OPT

FIG.55

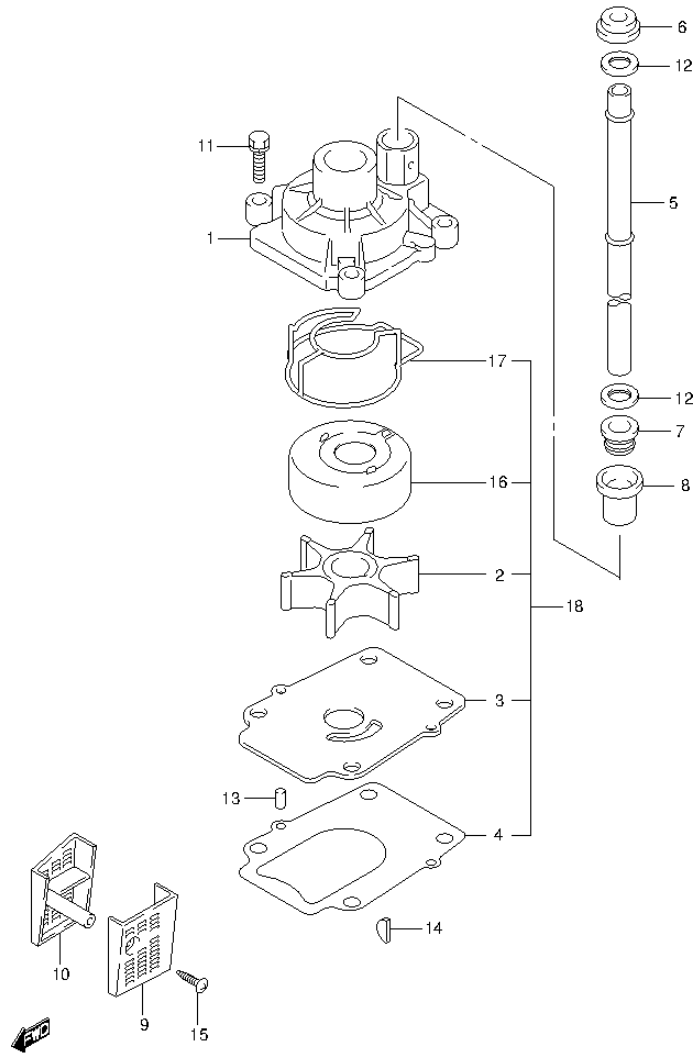


FIG.55 (1-F-10) WATER PUMP (DF90A E01)

REF NO.	PART NO.	DESCRIPTION	Q'TY	REMARKS
1	17410-99E10	CASE, WATER PUMP	1	
2	17461-87E12	IMPELLER, WATER PUMP	1	
3	17471-87L00	PANEL, PUMP CASE UNDER	1	
4	17472-87L00	GASKET, PUMP CASE PANEL	1	
5-1	17561-87L20	TUBE, WATER (L)	1	W/TRANSOM(L)
5-2	17561-87L30	TUBE, WATER (X)	1	W/TRANSOM(X)
6	17562-87L00	BUSH, WATER TUBE UPPER	1	
7	17563-87D00	BUSH, WATER TUBE LOWER	1	
8	17564-87D00	BUSH, WATER PUMP CASE	1	
9	17631-87L00	FILTER, WATER PORT SIDE	1	
10	17632-87L00	FILTER, WATER STBD SIDE	1	
11	29116-93J10	BOLT	4	
12	09161-16008	WASHER (15.8X26X1)	2	
13	09202-06031	PIN (6X12)	2	
14	09420-04009	KEY	1	
15	09132-04034	SCREW (4X18)	1	
16	17413-99E11	SLEEVE, WATER PUMP CASE	1	
17	17416-99E10	SEALING, WATER PUMP CASE NO.1	1	
18	17400-87L01	WATER PUMP REPAIR KIT	1	OPT

FIG.56

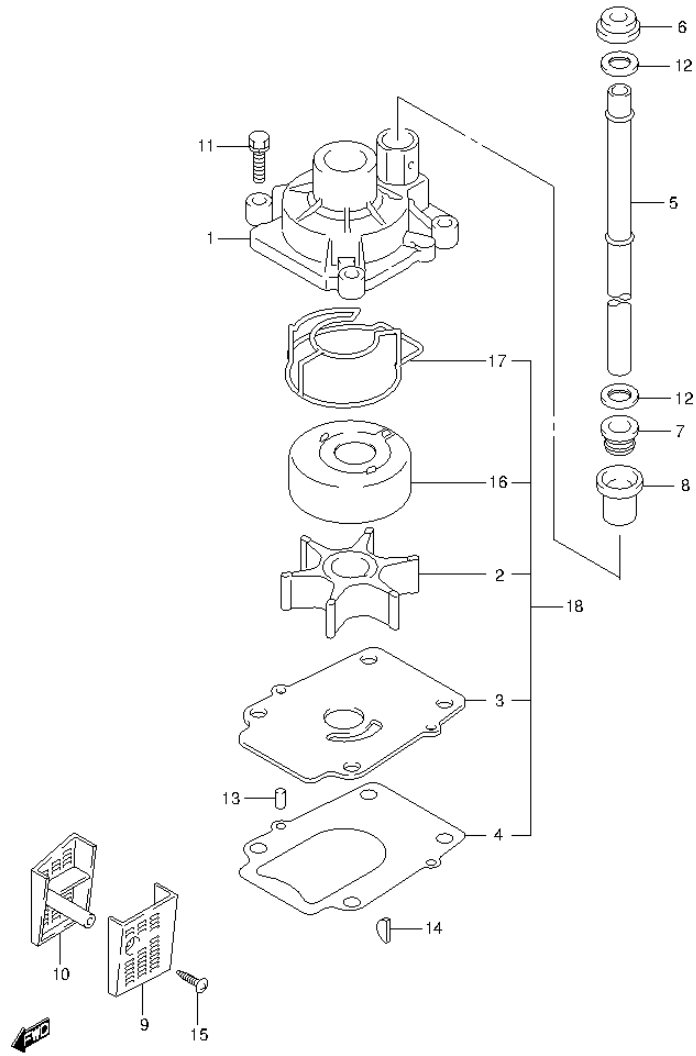


FIG.56 (1-F-11) WATER PUMP (DF90A E40)

REF NO.	PART NO.	DESCRIPTION	Q'TY	REMARKS
1	17410-99E10	CASE, WATER PUMP	1	
2	17461-87E12	IMPELLER, WATER PUMP	1	
3	17471-87L10	PANEL, PUMP CASE UNDER	1	
4	17472-87L00	GASKET, PUMP CASE PANEL	1	
5-1	17561-87L20	TUBE, WATER (L)	1	W/TRANSOM(L)
5-2	17561-87L30	TUBE, WATER (X)	1	W/TRANSOM(X)
6	17562-87L00	BUSH, WATER TUBE UPPER	1	
7	17563-87D00	BUSH, WATER TUBE LOWER	1	
8	17564-87D00	BUSH, WATER PUMP CASE	1	
9	17631-87L00	FILTER, WATER PORT SIDE	1	
10	17632-87L00	FILTER, WATER STBD SIDE	1	
11	29116-93J10	BOLT	4	
12	09161-16008	WASHER (15.8X26X1)	2	
13	09202-06031	PIN (6X12)	2	
14	09420-04009	KEY	1	
15	09132-04034	SCREW (4X18)	1	
16	17413-99E21	SLEEVE, WATER PUMP CASE	1	
17	17416-99E10	SEALING, WATER PUMP CASE NO.1	1	
18	17400-87L01	WATER PUMP REPAIR KIT	1	OPT

FIG.57

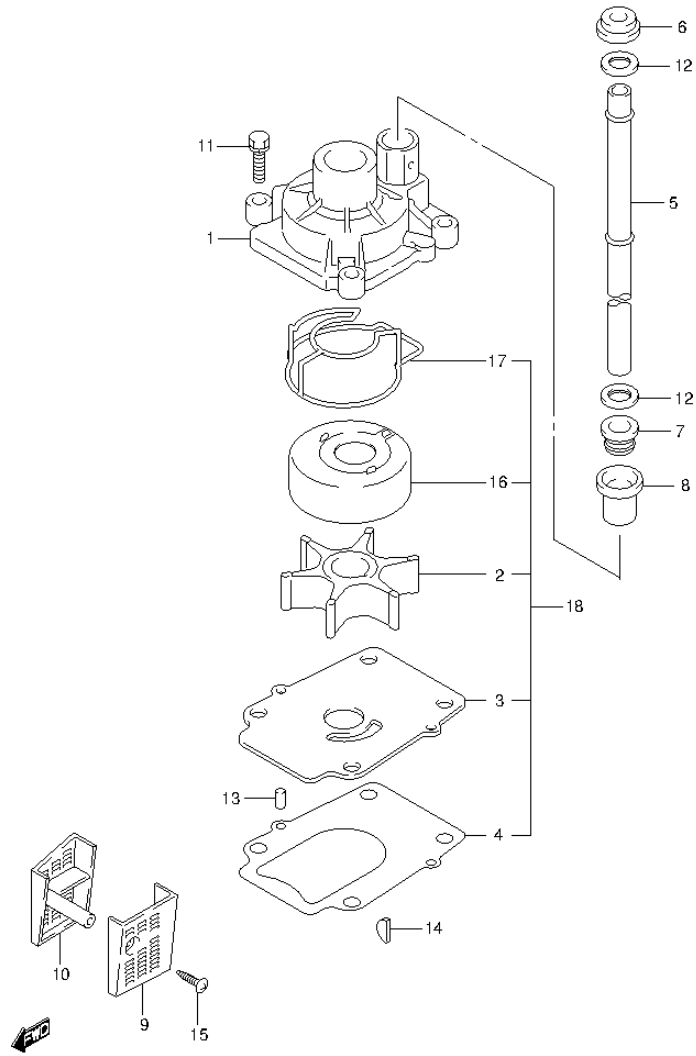


FIG.57 (1-F-12) WATER PUMP (DF90ATH E01)

REF NO.	PART NO.	DESCRIPTION	Q'TY	REMARKS
1	17410-99E10	CASE, WATER PUMP	1	
2	17461-87E12	IMPELLER, WATER PUMP	1	
3	17471-87L00	PANEL, PUMP CASE UNDER	1	
4	17472-87L00	GASKET, PUMP CASE PANEL	1	
5-1	17561-87L20	TUBE, WATER (L)	1	W/TRANSOM(L)
5-2	17561-87L30	TUBE, WATER (X)	1	W/TRANSOM(X)
6	17562-87L00	BUSH, WATER TUBE UPPER	1	
7	17563-87D00	BUSH, WATER TUBE LOWER	1	
8	17564-87D00	BUSH, WATER PUMP CASE	1	
9	17631-87L00	FILTER, WATER PORT SIDE	1	
10	17632-87L00	FILTER, WATER STBD SIDE	1	
11	29116-93J10	BOLT	4	
12	09161-16008	WASHER (15.8X26X1)	2	
13	09202-06031	PIN (6X12)	2	
14	09420-04009	KEY	1	
15	09132-04034	SCREW (4X18)	1	
16	17413-99E11	SLEEVE, WATER PUMP CASE	1	
17	17416-99E10	SEALING, WATER PUMP CASE NO.1	1	
18	17400-87L01	WATER PUMP REPAIR KIT	1	OPT

FIG.58

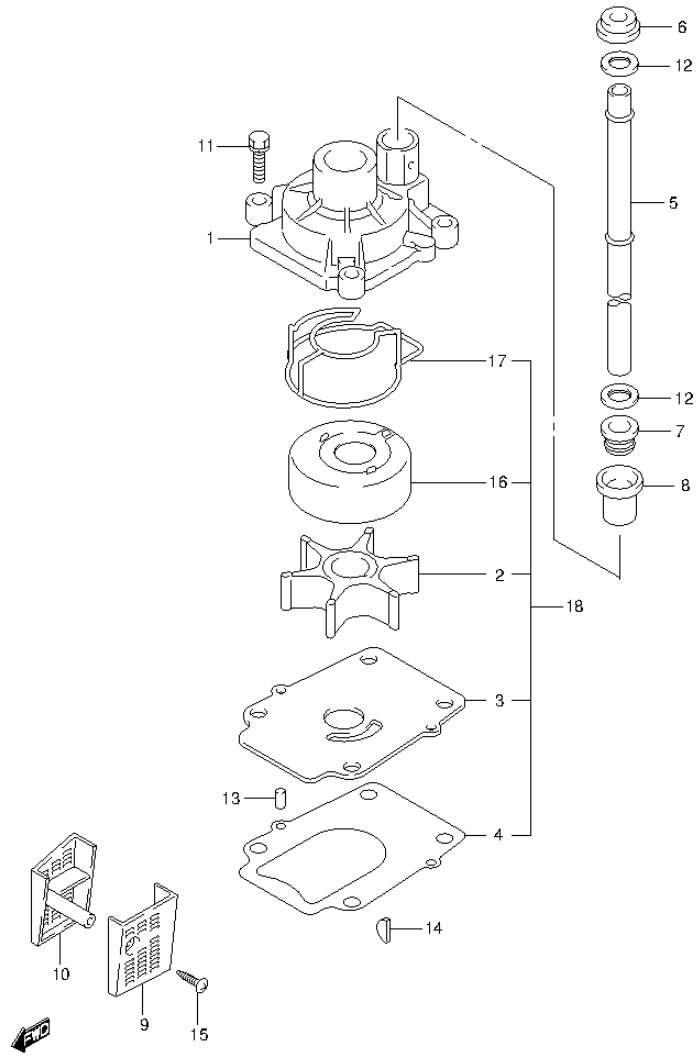


FIG.58 (1-F-13) WATER PUMP (DF90ATH E40)

REF NO.	PART NO.	DESCRIPTION	Q'TY	REMARKS
1	17410-99E10	CASE, WATER PUMP	1	
2	17461-87E12	IMPELLER, WATER PUMP	1	
3	17471-87L10	PANEL, PUMP CASE UNDER	1	
4	17472-87L00	GASKET, PUMP CASE PANEL	1	
5-1	17561-87L20	TUBE, WATER (L)	1	W/TRANSOM(L)
5-2	17561-87L30	TUBE, WATER (X)	1	W/TRANSOM(X)
6	17562-87L00	BUSH, WATER TUBE UPPER	1	
7	17563-87D00	BUSH, WATER TUBE LOWER	1	
8	17564-87D00	BUSH, WATER PUMP CASE	1	
9	17631-87L00	FILTER, WATER PORT SIDE	1	
10	17632-87L00	FILTER, WATER STBD SIDE	1	
11	29116-93J10	BOLT	4	
12	09161-16008	WASHER (15.8X26X1)	2	
13	09202-06031	PIN (6X12)	2	
14	09420-04009	KEY	1	
15	09132-04034	SCREW (4X18)	1	
16	17413-99E21	SLEEVE, WATER PUMP CASE	1	
17	17416-99E10	SEALING, WATER PUMP CASE NO.1	1	
18	17400-87L01	WATER PUMP REPAIR KIT	1	OPT

FIG.59

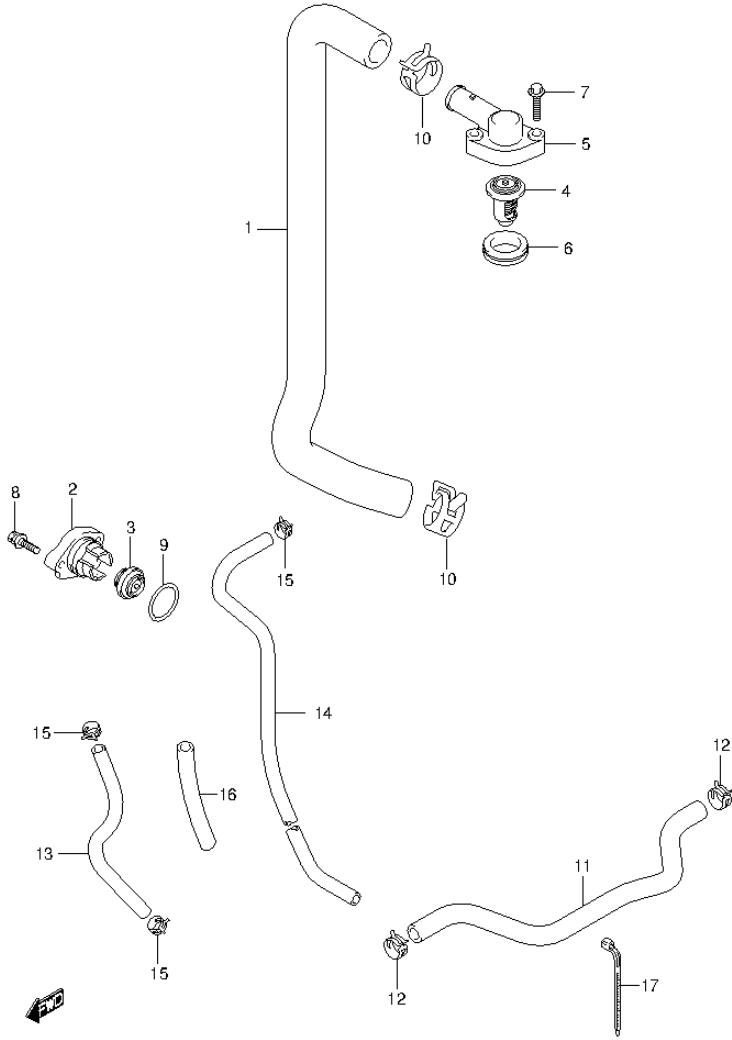


FIG.59 (1-F-14) THERMOSTAT

REF NO.	PART NO.	DESCRIPTION	Q'TY	REMARKS
1	11196-87L00	HOSE, WATER RETURN	1	
2	17611-90J00-0EP	COVER, WATER PRESS VALVE (BLACK)	1	
3	17660-99E01	VALVE, WATER PRESSURE	1	
4-1	17670-90J00	THERMOSTAT (60C)	1	
4-2	17670-90J10	THERMOSTAT (71C)	1	OPT
5	17681-87L00	COVER, THERMOSTAT	1	
6	17685-87L00	SEAL, THERMOSTAT COVER	1	
7	01550-06307	BOLT	2	
8	09116-06121	BOLT (6X25)	2	
9	09280-26006	O RING (D:3.1,ID:26.4)	1	
10	09401-26408	CLIP	2	
11	17915-87L00	HOSE, WATER FLUSH	1	
12	09401-15414	CLIP	2	
13	09352-50903-600	HOSE (5X9X600)	1	L:600->320
14	09352-50903-600	HOSE (5X9X600)	1	L:600->190
15	09401-08413	CLIP	3	
16	18498-99EA0	PROTECTOR, WATER HOSE (L:80)	1	
17	09407-11401	CLAMP (L:95)	1	

FIG.60

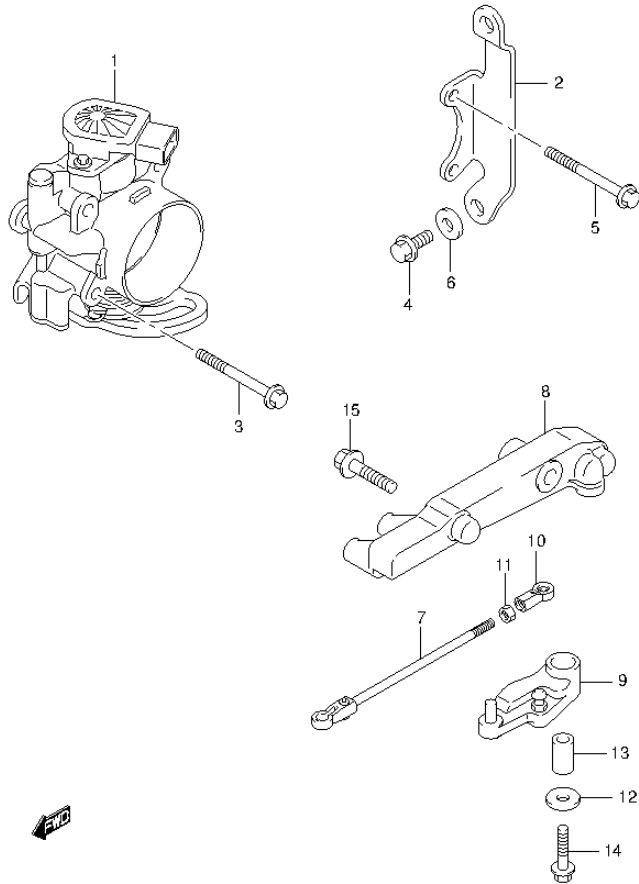


FIG.60 (1-F-15) THROTTLE BODY (DF70A E01)

REF NO.	PART NO.	DESCRIPTION	Q'TY	REMARKS
1	13300-87L00	BODY ASSY, THROTTLE	1	
2	13315-87L00	BRACKET, THROTTLE BODY	1	
3	01550-06507	BOLT	2	
4	01550-06167	BOLT	3	
5	01550-06557	BOLT	2	
6	09160-06084	WASHER (6.5X18X1.6)	1	
7	13510-87L00	ROD, THROTTLE	1	
8	19115-87L00	HOLDER, THROTTLE LEVER	1	
9	19120-87L00	LEVER, THROTTLE	1	
10	19131-95502	CONNECTOR, THROTTLE ROD	1	
11	09140-05005	NUT	1	
12	09160-06046	WASHER (6.5X20X1.5)	1	
13	09180-06186	SPACER (6.2X12.6X21)	1	
14	01550-06357	BOLT	1	
15	01550-08307	BOLT	2	

FIG.61

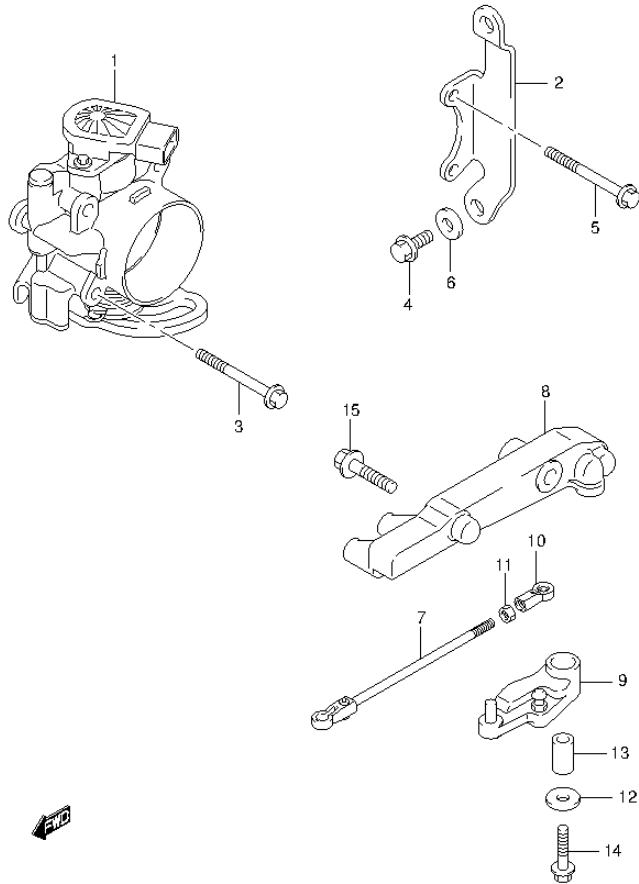


FIG.61 (1-G-2) THROTTLE BODY (DF70A E40)

REF NO.	PART NO.	DESCRIPTION	Q'TY	REMARKS
1	13300-87L00	BODY ASSY, THROTTLE	1	
2	13315-87L00	BRACKET, THROTTLE BODY	1	
3	01550-06507	BOLT	2	
4	01550-06167	BOLT	3	
5	01550-06557	BOLT	2	
6	09160-06084	WASHER (6.5X18X1.6)	1	
7	13510-87L00	ROD, THROTTLE	1	
8	19115-87L00	HOLDER, THROTTLE LEVER	1	
9	19120-87L00	LEVER, THROTTLE	1	
10	19131-95502	CONNECTOR, THROTTLE ROD	1	
11	09140-05005	NUT	1	
12	09160-06046	WASHER (6.5X20X1.5)	1	
13	09180-06186	SPACER (6.2X12.6X21)	1	
14	01550-06357	BOLT	1	
15	01550-08307	BOLT	2	

FIG.62

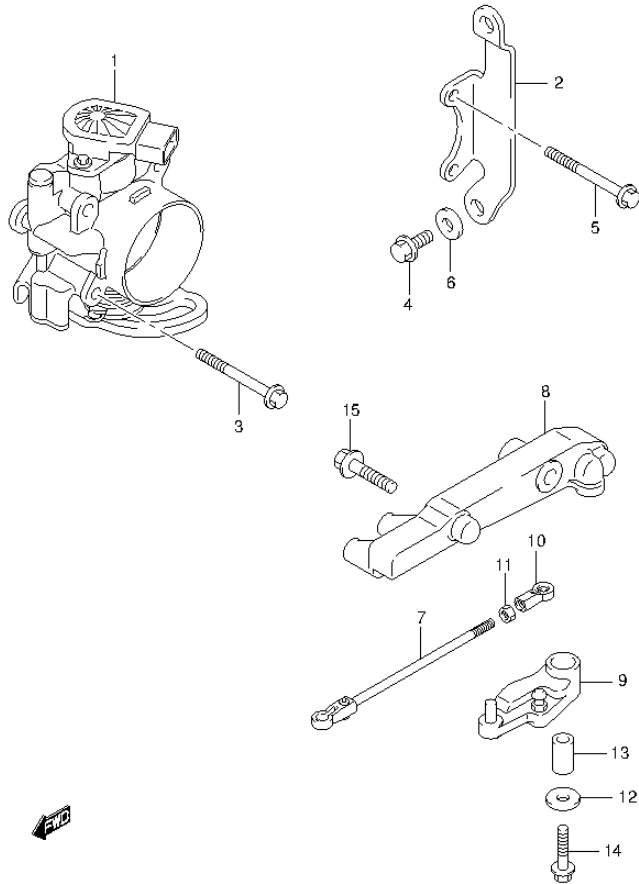


FIG.62 (1-G-3) THROTTLE BODY (DF70ATH E01)

REF NO.	PART NO.	DESCRIPTION	Q'TY	REMARKS
1	13300-87L00	BODY ASSY, THROTTLE	1	
2	13315-87L00	BRACKET, THROTTLE BODY	1	
3	01550-06507	BOLT	2	
4	01550-06167	BOLT	3	
5	01550-06557	BOLT	2	
6	09160-06084	WASHER (6.5X18X1.6)	1	
7	13510-87L00	ROD, THROTTLE	1	
8	19115-87L00	HOLDER, THROTTLE LEVER	1	
9	19120-87L10	LEVER, THROTTLE	1	
10	19131-95502	CONNECTOR, THROTTLE ROD	1	
11	09140-05005	NUT	1	
12	09160-06046	WASHER (6.5X20X1.5)	1	
13	09180-06186	SPACER (6.2X12.6X21)	1	
14	01550-06357	BOLT	1	
15	01550-08307	BOLT	2	

FIG.63

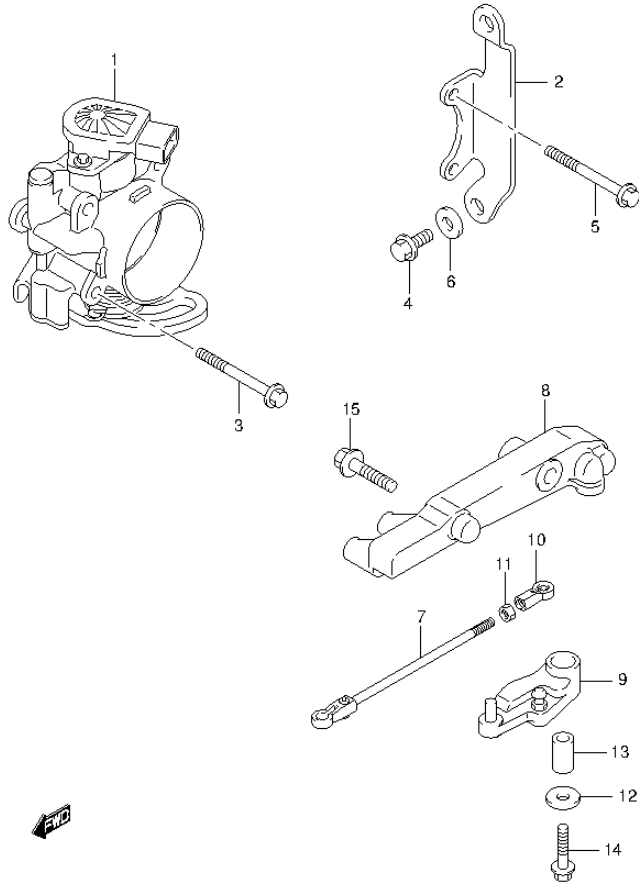


FIG.63 (1-G-4) THROTTLE BODY (DF70ATH E40)

REF NO.	PART NO.	DESCRIPTION	Q'TY	REMARKS
1	13300-87L00	BODY ASSY, THROTTLE	1	
2	13315-87L00	BRACKET, THROTTLE BODY	1	
3	01550-06507	BOLT	2	
4	01550-06167	BOLT	3	
5	01550-06557	BOLT	2	
6	09160-06084	WASHER (6.5X18X1.6)	1	
7	13510-87L00	ROD, THROTTLE	1	
8	19115-87L00	HOLDER, THROTTLE LEVER	1	
9	19120-87L10	LEVER, THROTTLE	1	
10	19131-95502	CONNECTOR, THROTTLE ROD	1	
11	09140-05005	NUT	1	
12	09160-06046	WASHER (6.5X20X1.5)	1	
13	09180-06186	SPACER (6.2X12.6X21)	1	
14	01550-06357	BOLT	1	
15	01550-08307	BOLT	2	

FIG.64

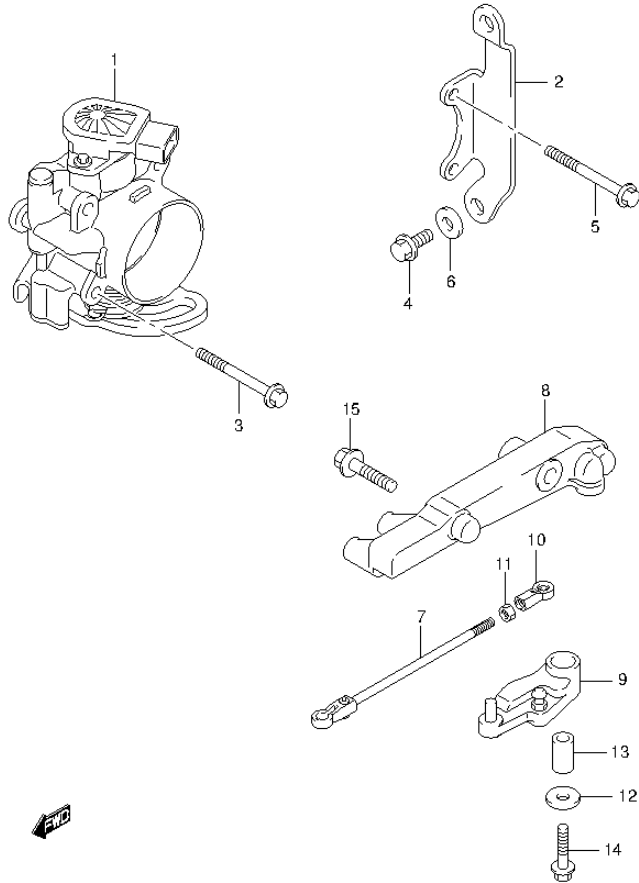


FIG.64 (1-G-5) THROTTLE BODY (DF80A E01)

REF NO.	PART NO.	DESCRIPTION	Q'TY	REMARKS
1	13300-87L00	BODY ASSY, THROTTLE	1	
2	13315-87L00	BRACKET, THROTTLE BODY	1	
3	01550-06507	BOLT	2	
4	01550-06167	BOLT	3	
5	01550-06557	BOLT	2	
6	09160-06084	WASHER (6.5X18X1.6)	1	
7	13510-87L00	ROD, THROTTLE	1	
8	19115-87L00	HOLDER, THROTTLE LEVER	1	
9	19120-87L00	LEVER, THROTTLE	1	
10	19131-95502	CONNECTOR, THROTTLE ROD	1	
11	09140-05005	NUT	1	
12	09160-06046	WASHER (6.5X20X1.5)	1	
13	09180-06186	SPACER (6.2X12.6X21)	1	
14	01550-06357	BOLT	1	
15	01550-08307	BOLT	2	

FIG.65

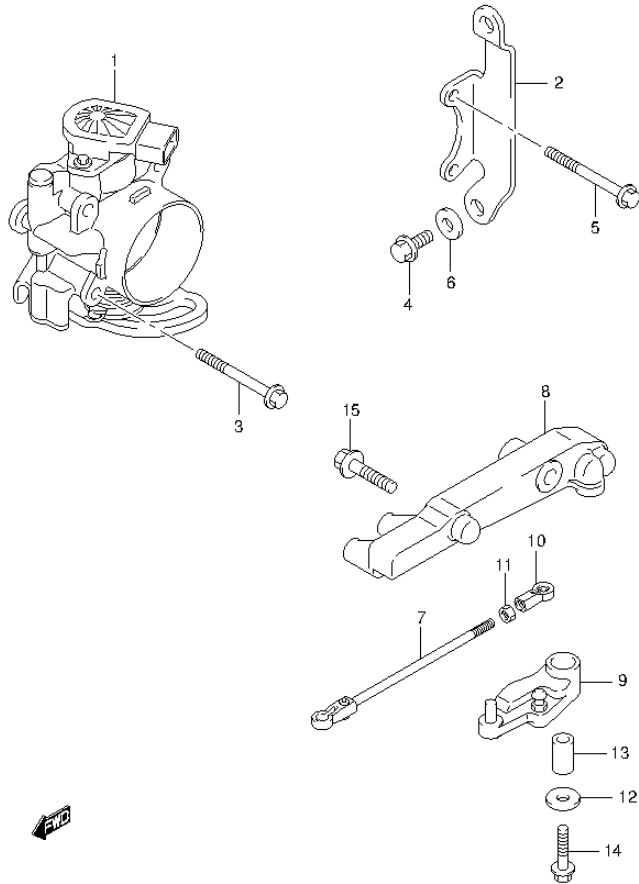


FIG.65 (1-G-6) THROTTLE BODY (DF80A E40)

REF NO.	PART NO.	DESCRIPTION	Q'TY	REMARKS
1	13300-87L00	BODY ASSY, THROTTLE	1	
2	13315-87L00	BRACKET, THROTTLE BODY	1	
3	01550-06507	BOLT	2	
4	01550-06167	BOLT	3	
5	01550-06557	BOLT	2	
6	09160-06084	WASHER (6.5X18X1.6)	1	
7	13510-87L00	ROD, THROTTLE	1	
8	19115-87L00	HOLDER, THROTTLE LEVER	1	
9	19120-87L00	LEVER, THROTTLE	1	
10	19131-95502	CONNECTOR, THROTTLE ROD	1	
11	09140-05005	NUT	1	
12	09160-06046	WASHER (6.5X20X1.5)	1	
13	09180-06186	SPACER (6.2X12.6X21)	1	
14	01550-06357	BOLT	1	
15	01550-08307	BOLT	2	

FIG.66

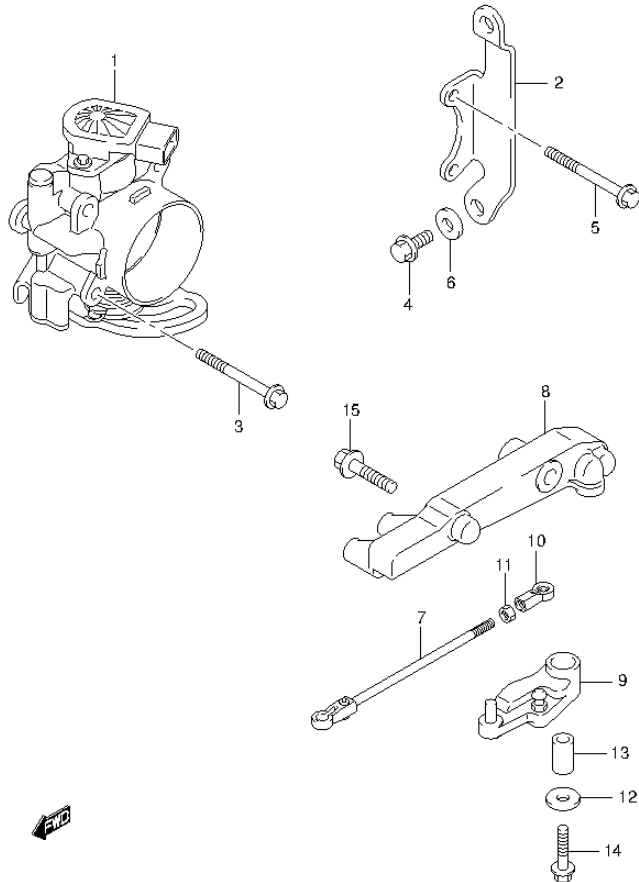


FIG.66 (1-G-7) THROTTLE BODY (DF90A E01)

REF NO.	PART NO.	DESCRIPTION	Q'TY	REMARKS
1	13300-87L00	BODY ASSY, THROTTLE	1	
2	13315-87L00	BRACKET, THROTTLE BODY	1	
3	01550-06507	BOLT	2	
4	01550-06167	BOLT	3	
5	01550-06557	BOLT	2	
6	09160-06084	WASHER (6.5X18X1.6)	1	
7	13510-87L00	ROD, THROTTLE	1	
8	19115-87L00	HOLDER, THROTTLE LEVER	1	
9	19120-87L00	LEVER, THROTTLE	1	
10	19131-95502	CONNECTOR, THROTTLE ROD	1	
11	09140-05005	NUT	1	
12	09160-06046	WASHER (6.5X20X1.5)	1	
13	09180-06186	SPACER (6.2X12.6X21)	1	
14	01550-06357	BOLT	1	
15	01550-08307	BOLT	2	

FIG.67

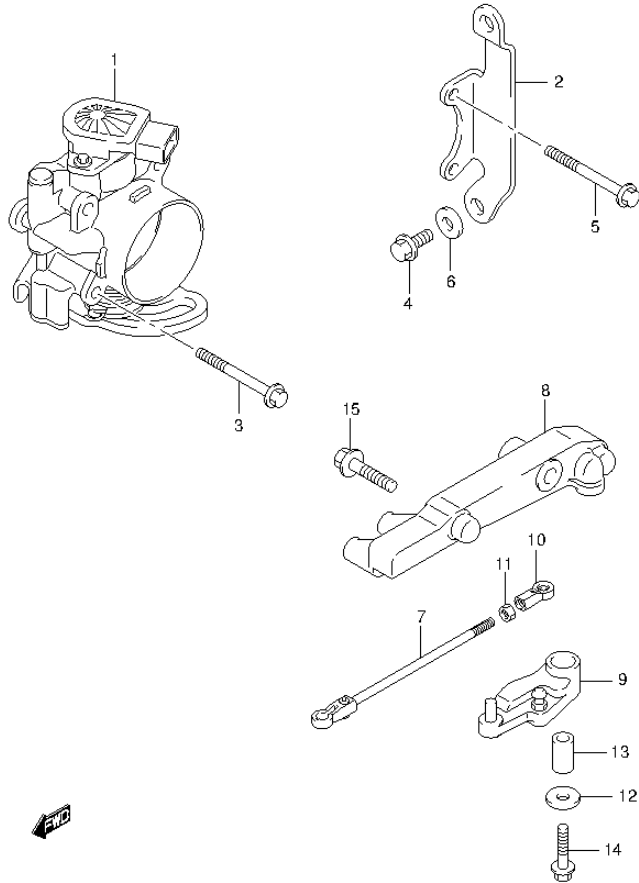


FIG.67 (1-G-8) THROTTLE BODY (DF90A E40)

REF NO.	PART NO.	DESCRIPTION	Q'TY	REMARKS
1	13300-87L00	BODY ASSY, THROTTLE	1	
2	13315-87L00	BRACKET, THROTTLE BODY	1	
3	01550-06507	BOLT	2	
4	01550-06167	BOLT	3	
5	01550-06557	BOLT	2	
6	09160-06084	WASHER (6.5X18X1.6)	1	
7	13510-87L00	ROD, THROTTLE	1	
8	19115-87L00	HOLDER, THROTTLE LEVER	1	
9	19120-87L00	LEVER, THROTTLE	1	
10	19131-95502	CONNECTOR, THROTTLE ROD	1	
11	09140-05005	NUT	1	
12	09160-06046	WASHER (6.5X20X1.5)	1	
13	09180-06186	SPACER (6.2X12.6X21)	1	
14	01550-06357	BOLT	1	
15	01550-08307	BOLT	2	

FIG.68

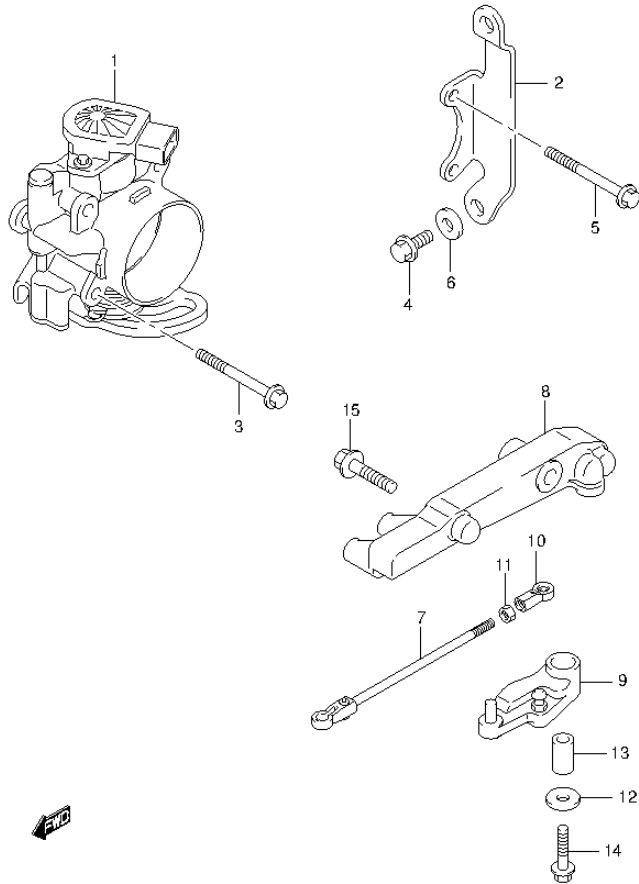


FIG.68 (1-G-9) THROTTLE BODY (DF90ATH E01)

REF NO.	PART NO.	DESCRIPTION	Q'TY	REMARKS
1	13300-87L00	BODY ASSY, THROTTLE	1	
2	13315-87L00	BRACKET, THROTTLE BODY	1	
3	01550-06507	BOLT	2	
4	01550-06167	BOLT	3	
5	01550-06557	BOLT	2	
6	09160-06084	WASHER (6.5X18X1.6)	1	
7	13510-87L00	ROD, THROTTLE	1	
8	19115-87L00	HOLDER, THROTTLE LEVER	1	
9	19120-87L10	LEVER, THROTTLE	1	
10	19131-95502	CONNECTOR, THROTTLE ROD	1	
11	09140-05005	NUT	1	
12	09160-06046	WASHER (6.5X20X1.5)	1	
13	09180-06186	SPACER (6.2X12.6X21)	1	
14	01550-06357	BOLT	1	
15	01550-08307	BOLT	2	

FIG.69

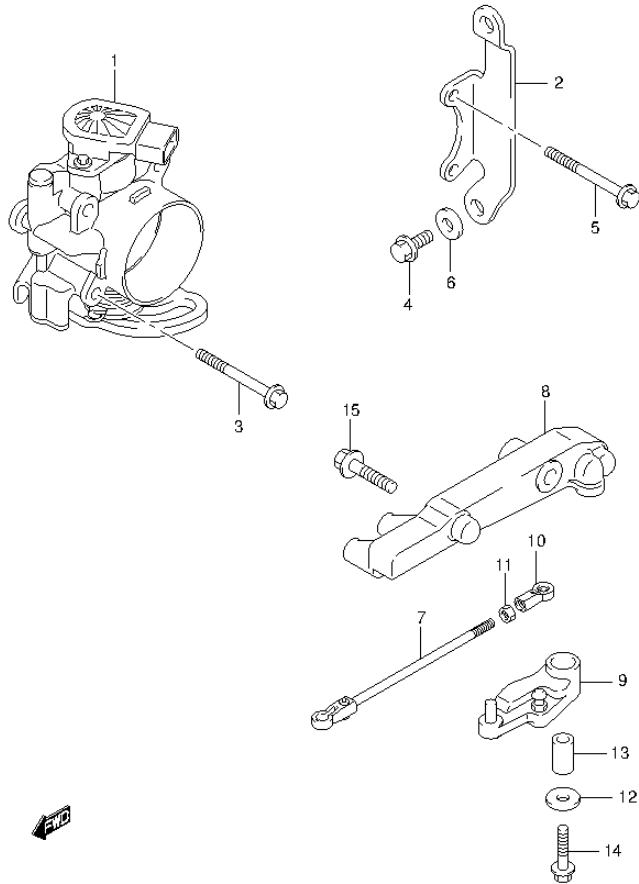


FIG.69 (1-G-10) THROTTLE BODY (DF90ATH E40)

REF NO.	PART NO.	DESCRIPTION	Q'TY	REMARKS
1	13300-87L00	BODY ASSY, THROTTLE	1	
2	13315-87L00	BRACKET, THROTTLE BODY	1	
3	01550-06507	BOLT	2	
4	01550-06167	BOLT	3	
5	01550-06557	BOLT	2	
6	09160-06084	WASHER (6.5X18X1.6)	1	
7	13510-87L00	ROD, THROTTLE	1	
8	19115-87L00	HOLDER, THROTTLE LEVER	1	
9	19120-87L10	LEVER, THROTTLE	1	
10	19131-95502	CONNECTOR, THROTTLE ROD	1	
11	09140-05005	NUT	1	
12	09160-06046	WASHER (6.5X20X1.5)	1	
13	09180-06186	SPACER (6.2X12.6X21)	1	
14	01550-06357	BOLT	1	
15	01550-08307	BOLT	2	

FIG.70

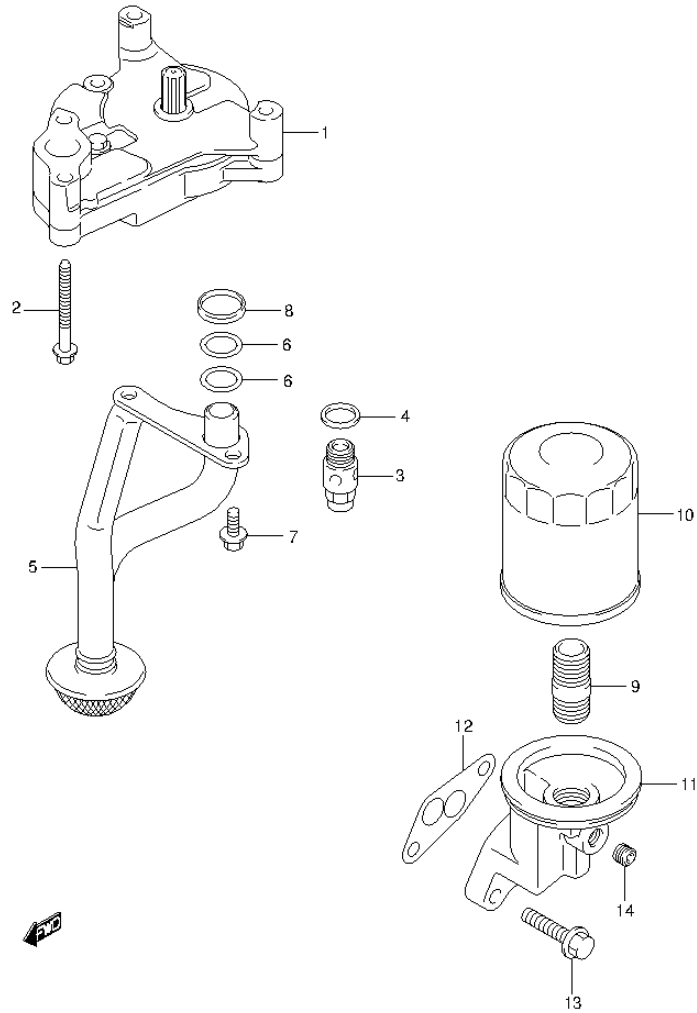


FIG.70 (1-G-11) OIL PUMP

REF NO.	PART NO.	DESCRIPTION	Q'TY	REMARKS
1	16400-87L00	PUMP ASSY, OIL	1	
2	09103-06220	BOLT (6X60)	4	
3	16440-99E00	VALVE, OIL RELIEF	1	
4	09168-16002	GASKET (16X22X2)	1	
5	16520-87L00	STRAINER, OIL PUMP	1	
6	09280-17002	O RING (D:2.4, ID:16.8)	2	
7	01550-0616A	BOLT	2	
8	16519-87L00	SEAL, ENGINE HOLDER	1	
9	11241-73003	STAND, OIL FILTER	1	
10	16510-61A31	FILTER ASSY, OIL	1	
11	16531-87L00	CASE, OIL FILTER ADAPTER	1	
12	16539-87L00	GASKET, ADAPTER CASE	1	
13	01550-08307	BOLT	2	
14	09246-05006	PLUG	1	

FIG.71

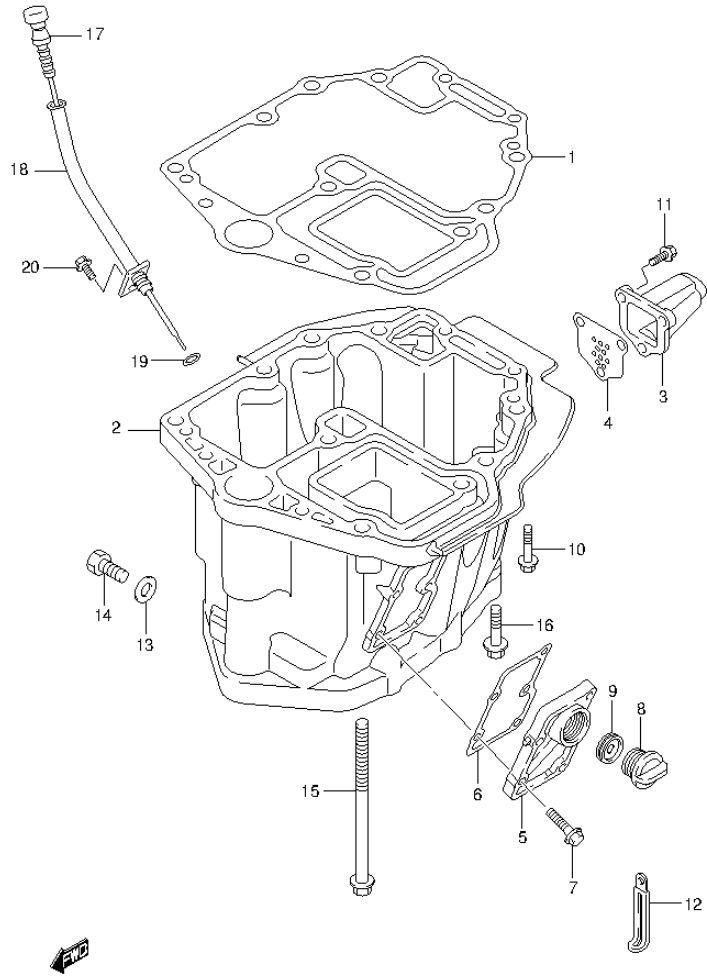


FIG.71 (1-G-12) OIL PAN

REF NO.	PART NO.	DESCRIPTION	Q'TY	REMARKS
1	11489-87L00	GASKET, OIL PAN	1	
2	11501-87L10-0EP	PAN, OIL (BLACK)	1	
3	11541-87L00-0EP	PIPE, EXHAUST (BLACK)	1	
4	11542-87L00	GASKET, EXHAUST TUBE	1	
5	11551-87L00-0EP	COVER, WATER JACKET OIL PAN (BLACK)	1	
6	11552-87L00	GASKET, OIL PAN WTR JKT COV	1	
7	09116-06121	BOLT (6X25)	5	
8	17913-93J00	PLUG, WATER	1	
9	17914-93J00	GASKET, WATER PLUG	1	
10	09116-08128	BOLT (8X40)	4	
11	29116-93J00	BOLT, EXHAUST PIPE	3	
12	29404-93J10	CLAMP, SPEEDOMETER HOSE	1	
13	09168-12012	GASKET (12.5X20X2.5)	1	
14	09248-12009	PLUG (12X18.65)	1	
15	09116-10129	BOLT (10X160)	6	
16	09116-10176	BOLT (10X44)	2	
17	16910-87L00	GAUGE, OIL LEVEL	1	
18	16930-87L00	GUIDE, OIL LEVEL GAUGE	1	
19	09280-09008	O RING (D:2.1,ID:8.8)	1	
20	01550-06127	BOLT	1	

FIG.72

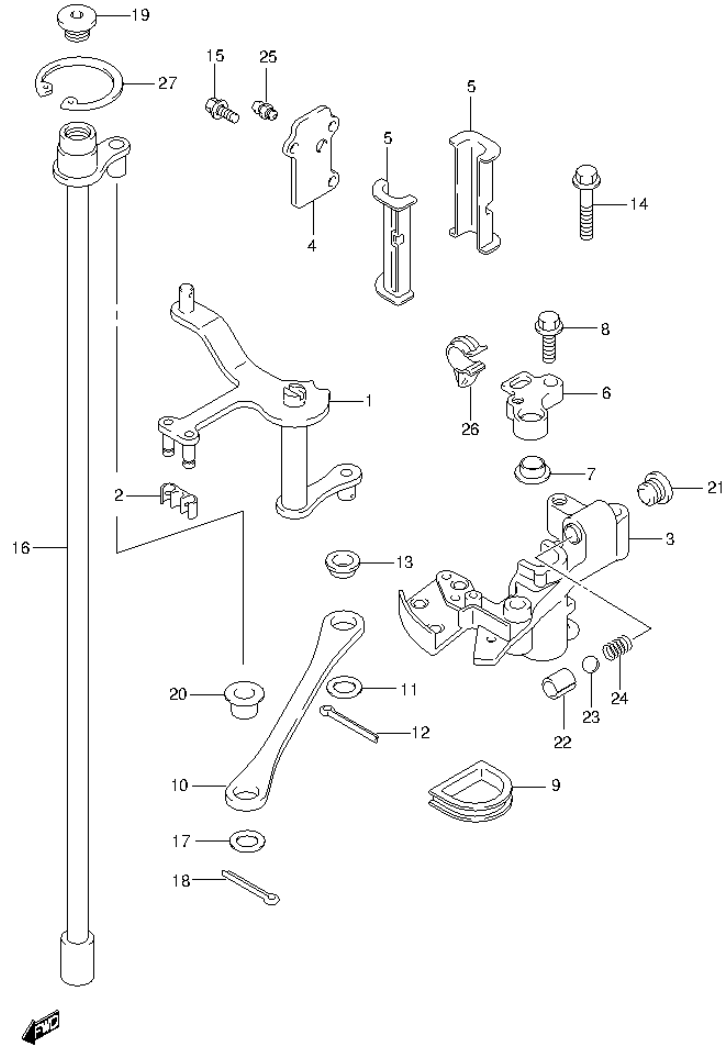


FIG.72 (1-G-13) CLUTCH SHAFT

REF NO.	PART NO.	DESCRIPTION	Q'TY	REMARKS
1	21110-87L00	LEVER, CLUTCH	1	
2	21131-93J00	BUSH, CLUTCH LEVER	1	
3	21151-87L00	HOLDER, CLUTCH LEVER	1	
4	21152-87L00	PLATE, CLUTCH HOLDER	1	
5	21153-87L00	BUSH, CLUTCH LEVER	2	
6	21155-87L00	HOLDER, SHIFT SENSOR	1	
7	09306-10022	BUSH	1	
8	01550-06207	BOLT	1	
9	21157-87L00	SEAL, CLUTCH HOLDER	1	
10	23115-87L00	LINK, CLUTCH LEVER	1	
11	09160-09019	WASHER (9.2X16X1)	1	
12	09204-01006	PIN	1	
13	09307-09002	BUSH	1	
14	01550-06407	BOLT	2	
15	09116-05010	BOLT (5X12)	3	
16	21210-87L00	SHAFT, CLUTCH	1	
17	09160-09019	WASHER (9.2X16X1)	1	
18	09204-01006	PIN	1	
19	09248-12011	PLUG (12X9)	1	
20	09307-09002	BUSH	1	
21	11118-95J00	PLUG, NOTCH SPRING	1	
22	09205-10008	SPRING PIN (10.2X13)	1	
23	09260-10005	BALL	1	
24	09440-07071	SPRING	1	
25	22511-99011	NIPPLE, GREASE	1	
26	09403-11320	CLAMP	1	
27	08331-41359	CIRCLIP	1	

FIG.73

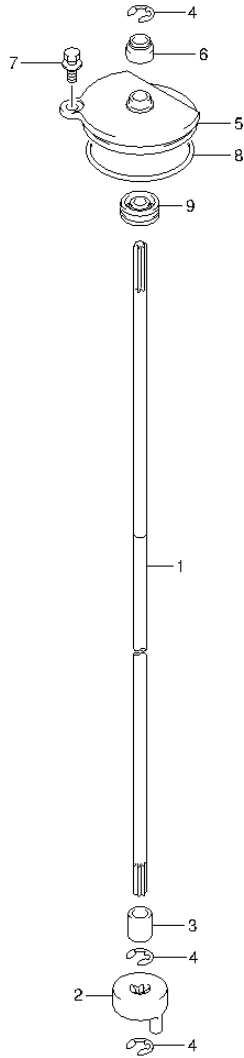


FIG.73 (1-G-14) CLUTCH ROD

REF NO.	PART NO.	DESCRIPTION	Q'TY	REMARKS
1-1	25111-87L00	ROD, SHIFT (L)	1	W/TRANSOM(L)
1-2	25111-87L10	ROD, SHIFT (X)	1	W/TRANSOM(X)
2	25131-87L01	YOKE, SHIFTER	1	
3	25232-96302	MAGNET, GEAR CASE	1	
4	08332-1107A	E RING	3	
5	25141-87L00	HOUSING, SHIFT ROD GUIDE	1	
6	25223-94400	COVER, GUIDE HSG OIL SEAL	1	
7	29116-93J00	BOLT, SHIFT ROD HSG (6X20)	1	
8	09280-55006	O RING (D:3.4 ID:53.4)	1	
9	09282-08005	OIL SEAL (8X22X7)	1	

FIG.74

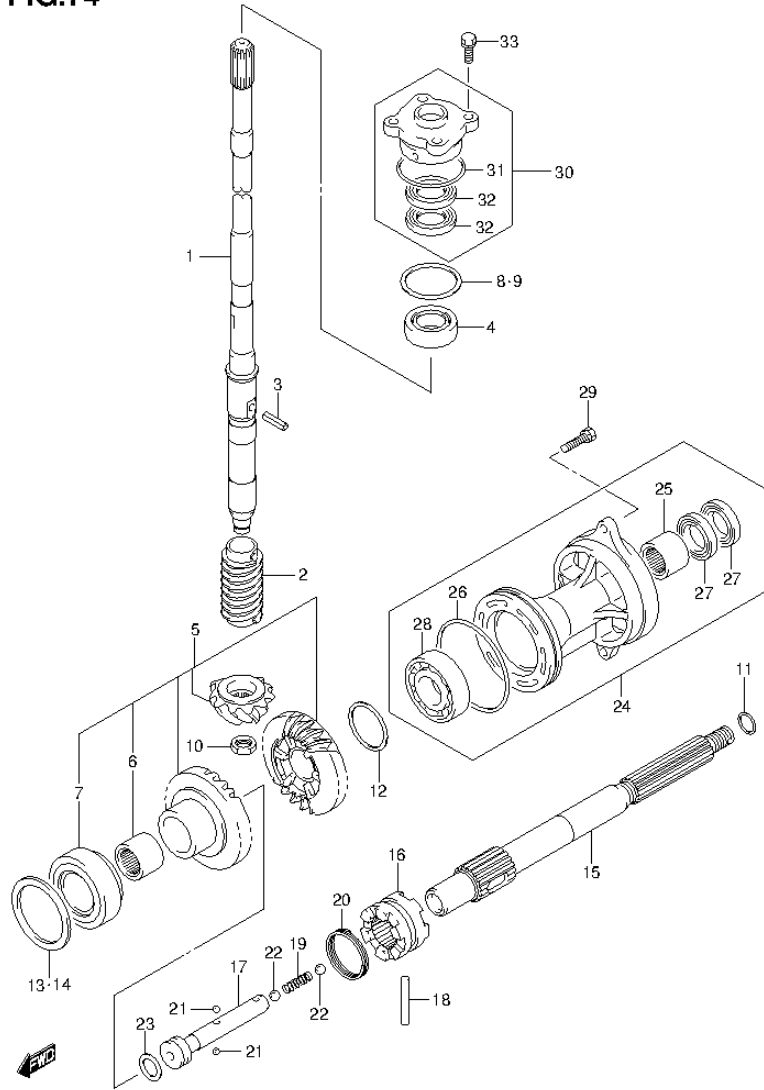


FIG.74 (1-G-15) TRANSMISSION

REF NO.	PART NO.	DESCRIPTION	Q'TY	REMARKS
1-1	57110-87L20	SHAFT ASSY, DRIVE (L)	1	W/TRANSOM(L)
1-2	57110-87L30	SHAFT ASSY, DRIVE (X)	1	W/TRANSOM(X)
2	57133-87L01	COLLAR, DRIVE SHAFT	1	
3	09205-05011	SPRING PIN (5X14)	1	
4	09265-25046	BEARING	1	
5	57300-87880	PINION/GEAR SET	1	
6	09263-25067	.BEARING (25X32X26)	1	
7	09265-40003	.BEARING (40X75X26)	1	
8	57500-87873	SHIM SET, DRIVE SHAFT	1	
9-1	09181-40186	.SHIM (T:0.50)	1	
9-2	09181-41002	.SHIM (T:0.55)	1	
9-3	09181-41003	.SHIM (T:0.60)	1	
9-4	09181-41004	.SHIM (T:0.65)	1	
9-5	09181-41005	.SHIM (T:0.70)	1	
9-6	09181-41006	.SHIM (T:0.75)	1	
9-7	09181-40190	.SHIM (T:0.80)	1	
9-8	09181-41008	.SHIM (T:0.85)	1	
9-9	09181-41009	.SHIM (T:0.90)	1	
9-10	09181-41010	.SHIM (T:0.95)	1	
9-11	09181-40195	.SHIM (T:1.00)	1	
9-12	09181-41012	.SHIM (T:1.05)	1	
9-13	09181-41013	.SHIM (T:1.10)	1	
9-14	09181-41014	.SHIM (T:1.15)	1	
10	09140-14024	NUT	1	
11-1	09181-25130	SHIM (T:0.50)	1	PROP SHAFT REV THRUST
11-2	09181-25139	SHIM (T:1.00)	1	PROP SHAFT REV THRUST
11-3	09181-25143	SHIM (T:1.09)	1	PROP SHAFT REV THRUST
11-4	09181-25149	SHIM (T:1.21)	1	PROP SHAFT REV THRUST
11-5	09181-25153	SHIM (T:1.30)	1	PROP SHAFT REV THRUST
11-6	09181-25072	SHIM (T:1.40)	1	PROP SHAFT REV THRUST
11-7	09181-25073	SHIM (T:1.50)	1	PROP SHAFT REV THRUST
11-8	09181-25074	SHIM (T:1.60)	1	PROP SHAFT REV THRUST
11-9	09181-25075	SHIM (T:1.70)	1	PROP SHAFT REV THRUST

FIG.74

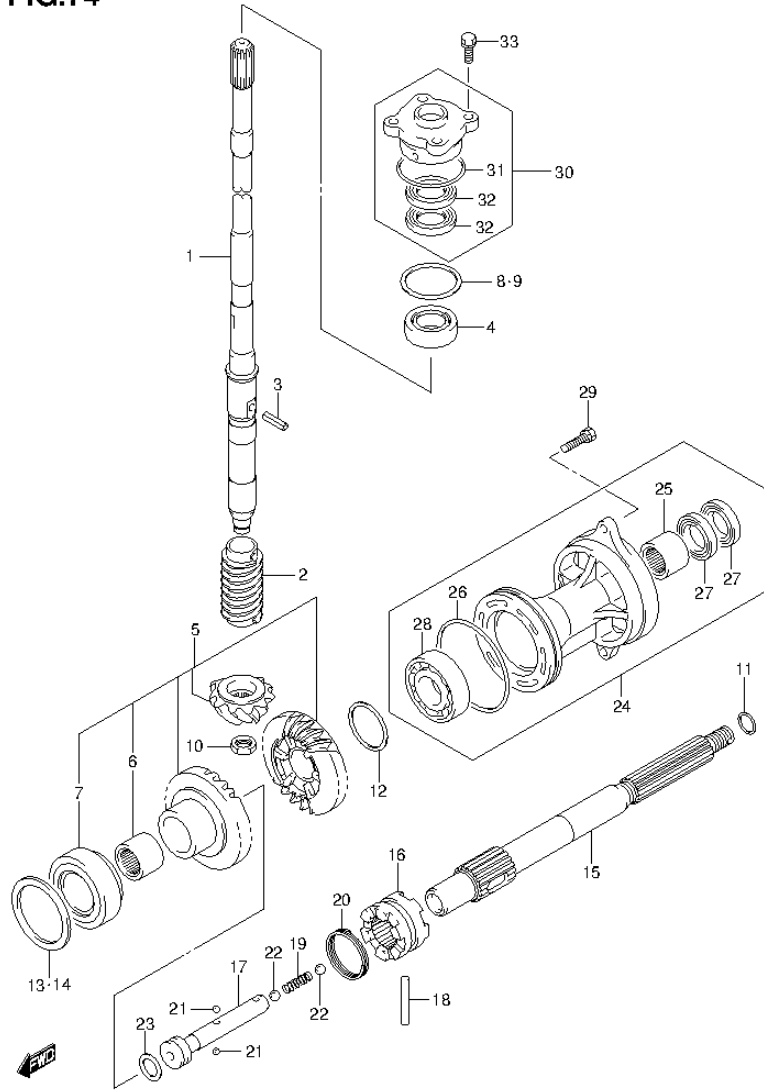


FIG.74 (1-H-2) TRANSMISSION

REF NO.	PART NO.	DESCRIPTION	Q'TY	REMARKS
12-1	09181-40018	SHIM (T:0.55)	1	REV GEAR
12-2	09181-40004	SHIM (T:0.60)	1	REV GEAR
12-3	09181-40005	SHIM (T:0.65)	1	REV GEAR
12-4	09181-40006	SHIM (T:0.70)	1	REV GEAR
12-5	09181-40007	SHIM (T:0.75)	1	REV GEAR
12-6	09181-40008	SHIM (T:0.80)	1	REV GEAR
12-7	09181-40009	SHIM (T:0.85)	1	REV GEAR
12-8	09181-40010	SHIM (T:0.90)	1	REV GEAR
12-9	09181-40011	SHIM (T:0.95)	1	REV GEAR
12-10	09181-40012	SHIM (T:1.00)	1	REV GEAR
12-11	09181-40013	SHIM (T:1.05)	1	REV GEAR
13	57500-87882	SHIM SET, FORWARD GEAR	1	FWD GEAR
14-1	09181-64002	.SHIM (T:0.55)	1	FWD GEAR
14-2	09181-64003	.SHIM (T:0.60)	1	FWD GEAR
14-3	09181-64004	.SHIM (T:0.65)	1	FWD GEAR
14-4	09181-64005	.SHIM (T:0.70)	1	FWD GEAR
14-5	09181-64006	.SHIM (T:0.75)	1	FWD GEAR
14-6	09181-64007	.SHIM (T:0.80)	1	FWD GEAR
14-7	09181-64008	.SHIM (T:0.85)	1	FWD GEAR
14-8	09181-64009	.SHIM (T:0.90)	1	FWD GEAR
14-9	09181-64010	.SHIM (T:0.95)	1	FWD GEAR
14-10	09181-64011	.SHIM (T:1.00)	1	FWD GEAR
15	57610-87L00	SHAFT, PROPELLER	1	
16	57621-87L00	SHIFTER, CLUTCH DOG	1	
17	57631-87L00	PIN, CONNECTOR	1	
18	09202-07003	PIN	1	
19	09440-09043	SPRING	1	
20	09440-42002	SPRING	1	
21	06111-07004	BALL	2	
22	06111-11004	BALL	2	
23	09181-25030	SHIM (25X32X3)	1	

FIG.74

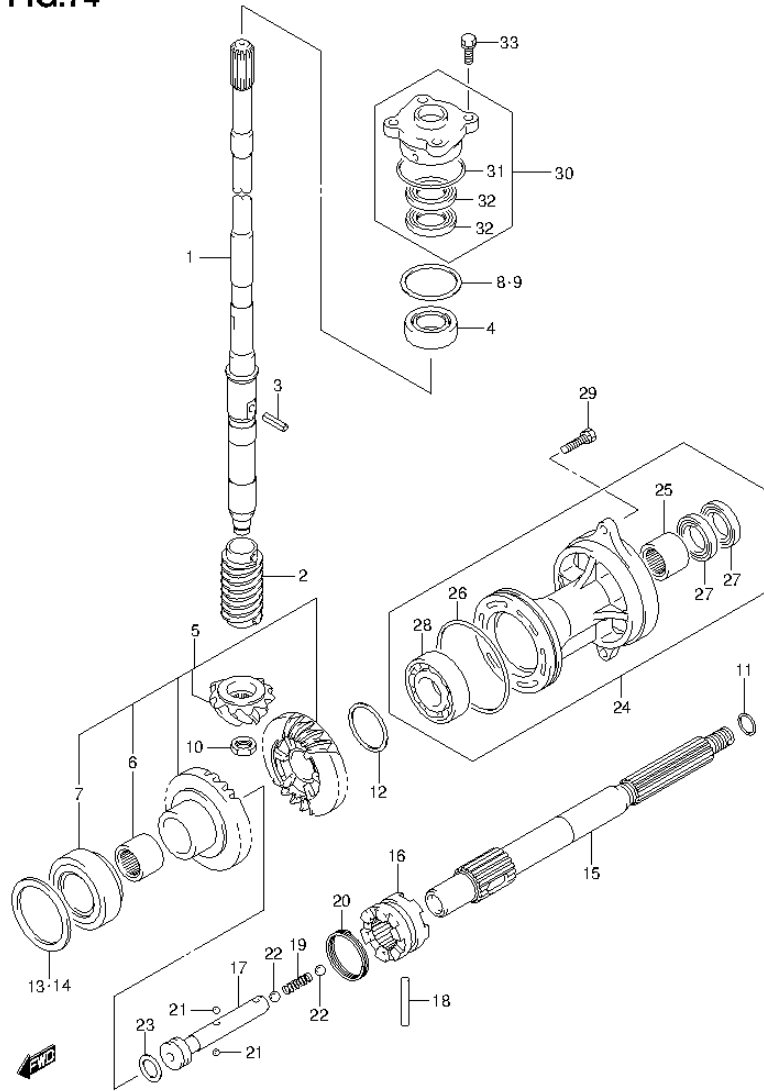


FIG.74 (1-H-3) TRANSMISSION

REF NO.	PART NO.	DESCRIPTION	Q'TY	REMARKS
24	56120-87L30-OEP	HOUSING, PROP SHAFT BRG (BLACK)	1	
25	09263-25067	.BEARING (25X32X26)	1	
26	09280-92004	.O RING (D:3.1 ID:89.4)	1	
27	09282-25001	.OIL SEAL (25X38X8)	2	
28	08113-60087	.BEARING	1	
29	09117-08047	BOLT (8X30)	2	
30	56130-87L01	HOUSING, DRIVE SHAFT OIL SEAL	1	
31	09280-46004	.O RING (D:3.5, ID:45.7)	1	
32	09282-22007	.OIL SEAL (22X36X6)	2	
33	09117-08110	BOLT (8X25)	4	

FIG.75

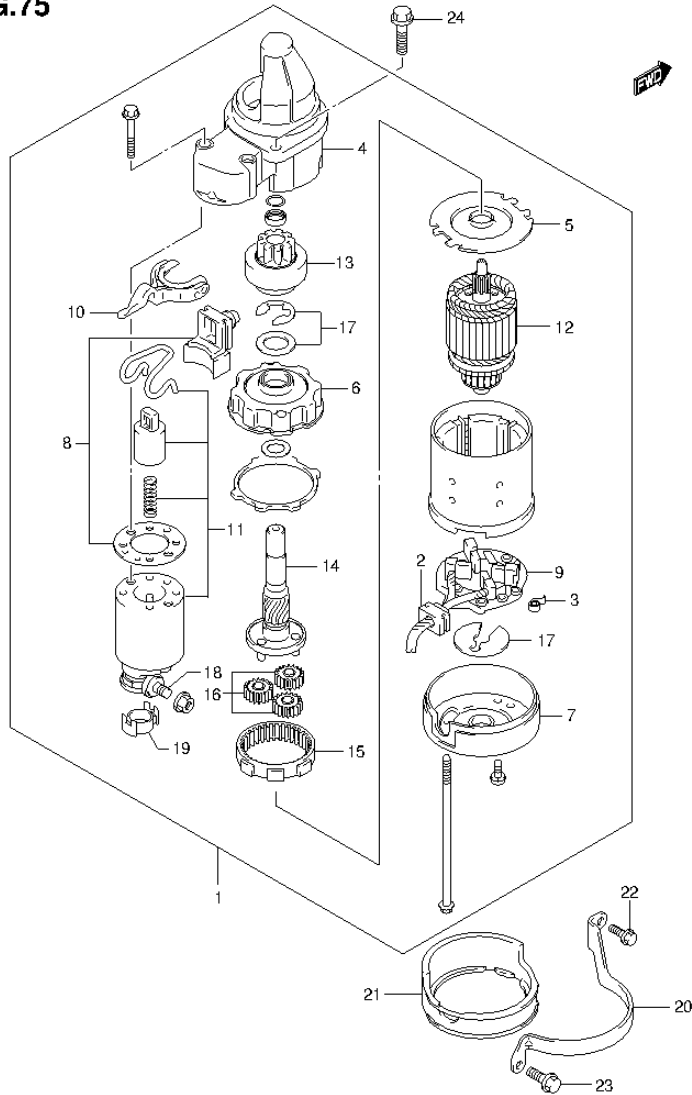


FIG.75 (1-H-4) STARTING MOTOR

REF NO.	PART NO.	DESCRIPTION	Q'TY	REMARKS
1	31100-96J01	STARTING MOTOR	1	
2	31131-90J01	.BRUSH SET, PLUS	1	
3	31135-90J00	.SPRING	4	
4	31151-94J00	.CASE, GEAR	1	
5	31152-90J00	.PLATE, CENTER	1	
6	31153-90J00	.BRACKET, PLANET GEAR	1	
7	31170-90J00	.COVER, STARTER MOTOR REAR	1	
8	31171-96J00	.COVER KIT, DUST	1	
9	31173-90J01	.HOLDER, BRUSH	1	
10	31191-96J00	.LEVER, SHIFT	1	
11	31220-94J00	.SWITCH, MAGNET	1	
12	31310-90J00	.ARMATURE	1	
13	31320-93J00	.PINION	1	
14	31341-93J00	.SHAFT, PINION	1	
15	31343-90J00	.INTERNAL GEAR	1	
16	31344-90J00	.GEAR, PLANETARY	3	
17	31360-93J01	.WASHER SET	1	
18	31913-93J00	.TERMINAL	1	
19	31914-93J00	.CAP, TERMINAL	1	
20	31912-87L00	BAND, STARTING MOTOR	1	
21	31918-87L00	DAMPER, LOWER	1	
22	01550-06167	BOLT	1	
23	01550-08207	BOLT	1	
24	01550-08357	BOLT	2	

FIG.76

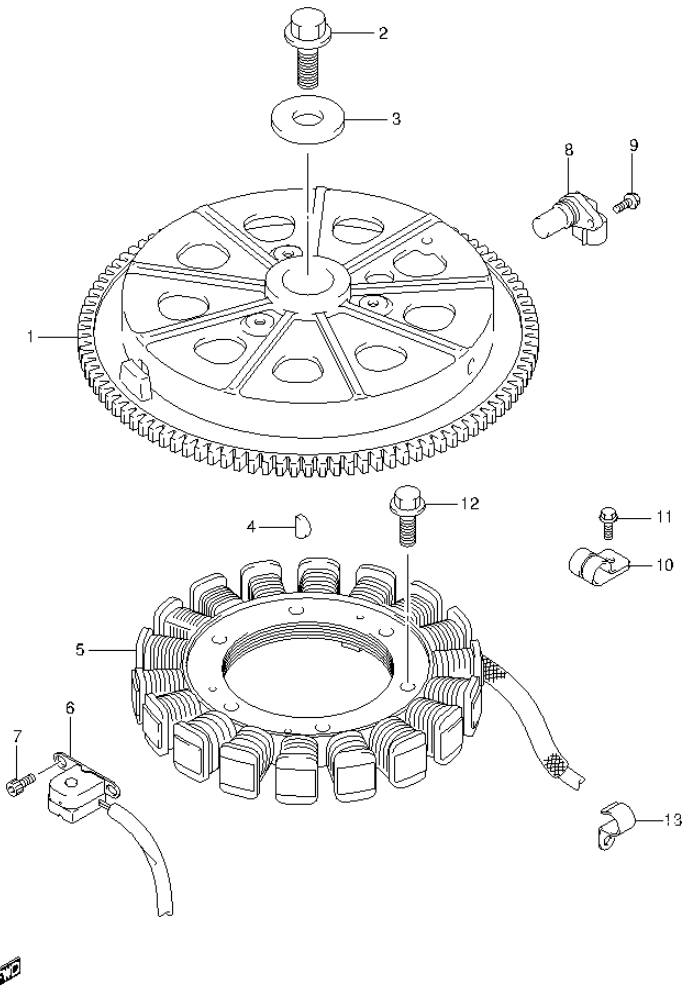


FIG.76 (1-H-5) MAGNETO

REF NO.	PART NO.	DESCRIPTION	Q'TY	REMARKS
1	32102-87L00	FLYWHEEL	1	
2	09103-16004	BOLT (16X50)	1	
3	09160-16047	WASHER (16.5X48.5X4.5)	1	
4	09420-04008	KEY	1	
5	32120-87L10	COIL, BATTERY CHARGING	1	
6	32160-87L00	COIL, IGNITION TIMING	1	
7	09106-05030	BOLT (5X10)	2	
8	33220-50M10	SENSOR ASSY, CAM POSITION	1	
9	01547-06167	BOLT	1	
10	09403-13408	CLAMP	2	
11	01550-06127	BOLT	2	
12	09103-06282	BOLT (6X25)	3	
13	09403-20301	CLAMP	1	

FIG.77

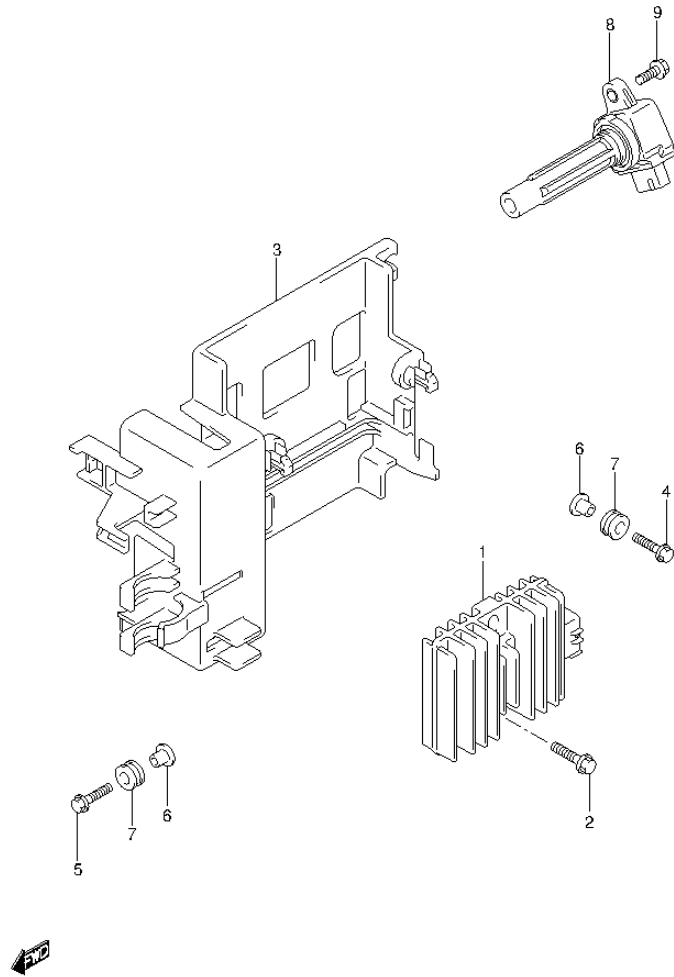


FIG.77 (1-H-6) RECTIFIER/IGNITION COIL

REF NO.	PART NO.	DESCRIPTION	Q'TY	REMARKS
1	32800-87L00	RECTIFIER/REGULATOR ASSY	1	
2	01550-06257	BOLT	2	
3	32890-87L01	HOLDER, ELECTRIC PARTS	1	
4	09116-06202	BOLT (6X25)	2	
5	01550-06257	BOLT	1	
6	09169-06062	WASHER	3	
7	09320-09016	CUSHION	3	
8	33410-87L00	COIL ASSY, IGNITION	4	
9	01547-06207	BOLT	4	

FIG.78

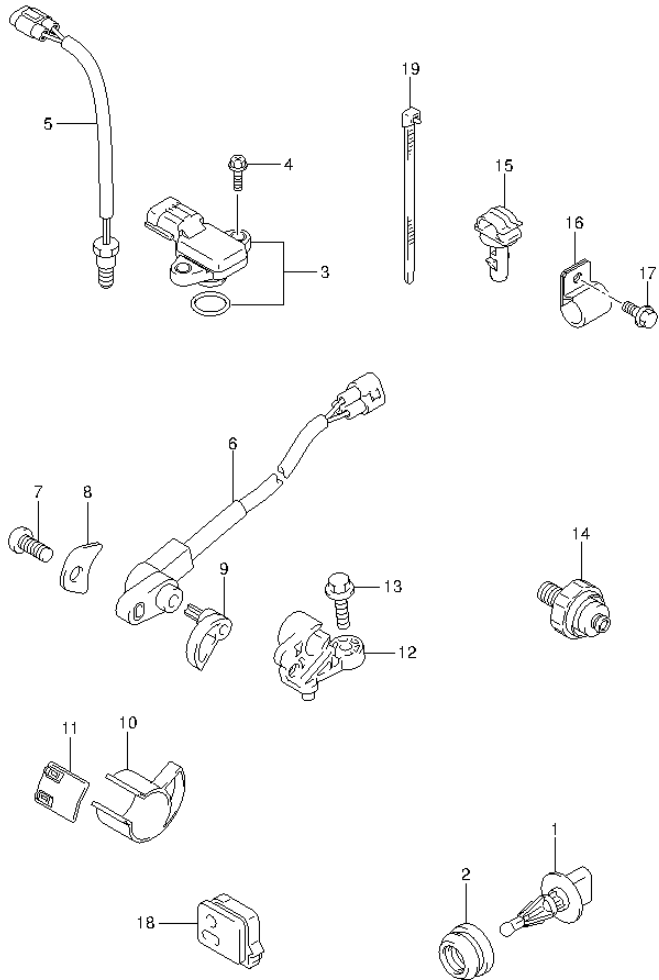


FIG.78 (1-H-7) SENSOR

REF NO.	PART NO.	DESCRIPTION	Q'TY	REMARKS
1	13650-52G00	SENSOR, INLET AIR TEMP	1	
2	13655-87J00	GROMMET, AIR TEMP SENSOR	1	
3	18590-68H00	SENSOR, PRESSURE	1	
4	02162-05207	SCREW	2	
5	34830-87J20	SENSOR ASSY, CYLINDER TEMP	1	
6	34840-98J11	SENSOR ASSY, TRIM	1	
7	09125-05046	SCREW (5X12)	1	
8	34846-87L00	WASHER (5.5X12X0.8)	1	
9	34841-87L10	LEVER, TRIM SENSOR	1	
10	34842-87L01	CAM, TRIM SENSOR UPPER	1	
11	34843-87L00	CAM, TRIM SENSOR LOWER	1	
12	34845-87L10	BRACKET, TRIM SENSOR	1	
13	09103-06093	BOLT (6X20)	1	
14	37820-99E01	SWITCH, OIL PRESSURE	1	
15	09403-07338	CLAMP	1	
16	09403-19409	CLAMP	1	
17	29103-93J00	BOLT, PTT CABLE CLAMP	1	
18	36656-87L00	GROMMET, PTT CABLE	1	
19	09407-14407	CLAMP (L:145)	2	

FIG.79

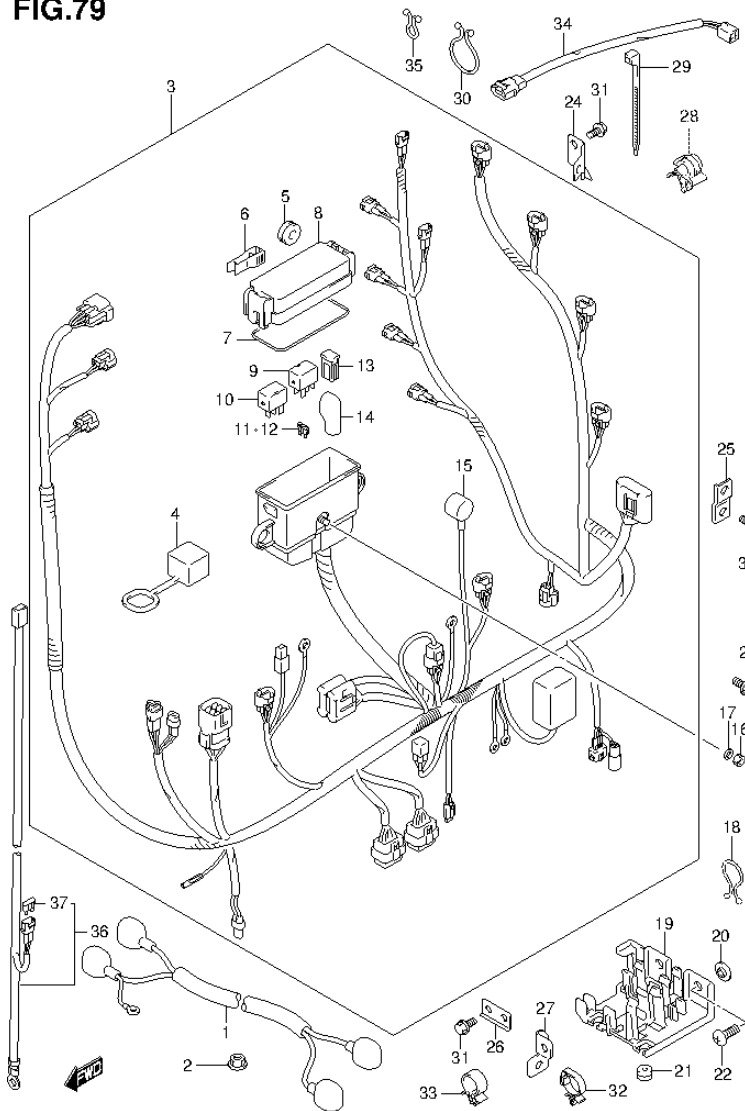


FIG.79 (1-H-8) HARNESS

REF NO.	PART NO.	DESCRIPTION	Q'TY	REMARKS
1	33810-90J10	CABLE, STARTER MOTOR	1	
2	08316-10087	NUT	1	
3	36610-87L50	HARNESS ASSY, WIRING	1	
4	33634-96J00	.CAP, SERVICE CONNECTOR	1	
5	09320-08021	.CUSHION	2	
6	36737-96J00	.PULLER, FUSE	1	
7	36721-96J00	.O RING, UPPER COVER	1	
8	36738-87L00	.COVER, FUSE CASE UPPER	1	
9	38860-76F01	.RELAY, ENG CONTROL UNIT	1	
10	38860-76F01	.RELAY ASSY, STARTER MOTOR	1	
11	09481-10501	.FUSE (10A)	3	
12	09481-30501	.FUSE (30A)	3	
13	09481-40401	.FUSE (40A)	2	
14	36612-96J00	.CAP, TERMINAL	1	
15	36618-43410	.CAP, OIL PRESSURE SWITCH	1	
16	08310-00067	NUT	1	
17	08321-01067	WASHER	1	
18	09408-00021	CLIP (ID:16)	1	
19	36616-87L00	HOLDER, CABLE	1	
20	09169-06053	WASHER	2	
21	09320-04009	BUSH	2	
22	02142-06167	SCREW	2	
23	01550-06127	BOLT	1	
24	36617-87L00	CLAMP, HARNESS	1	
25	36617-93J00	BRACKET, HARNESS	1	
26	36617-87L10	CLAMP, HARNESS	1	
27	36617-87L20	CLAMP, HARNESS	1	
28	09403-07308	CLAMP	1	
29	09407-14407	CLAMP (L:145)	1	

FIG.79

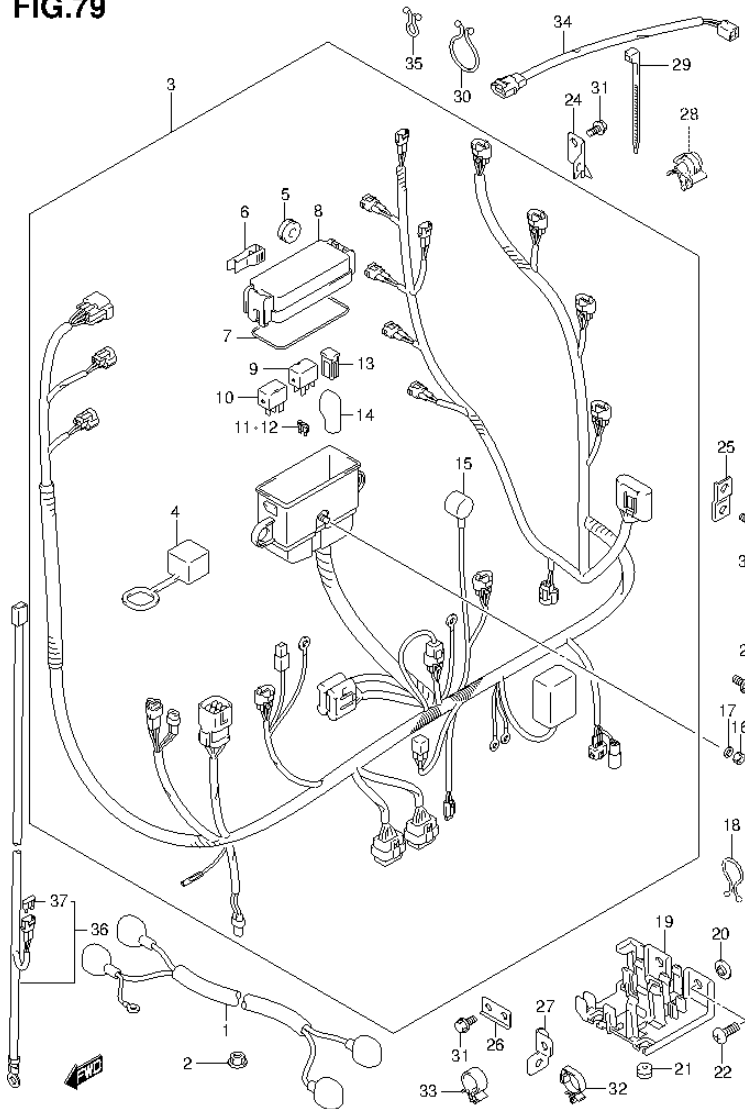


FIG.79 (1-H-9) HARNESS

REF NO.	PART NO.	DESCRIPTION	Q'TY	REMARKS
30	09408-00024	CLIP (ID:23)	1	
31	01550-06127	BOLT	2	
32	09403-11321	CLAMP	1	
33	09403-12409	CLAMP	1	
34	36611-87L00	HARNESS ASSY, WIRING SUB	1	
35	09408-00020	CLIP	1	
36	36625-93J10	LEAD, BATTERY (L:6500)	1	OPT
37	09481-15501	.FUSE (15A)	1	OPT

FIG.80

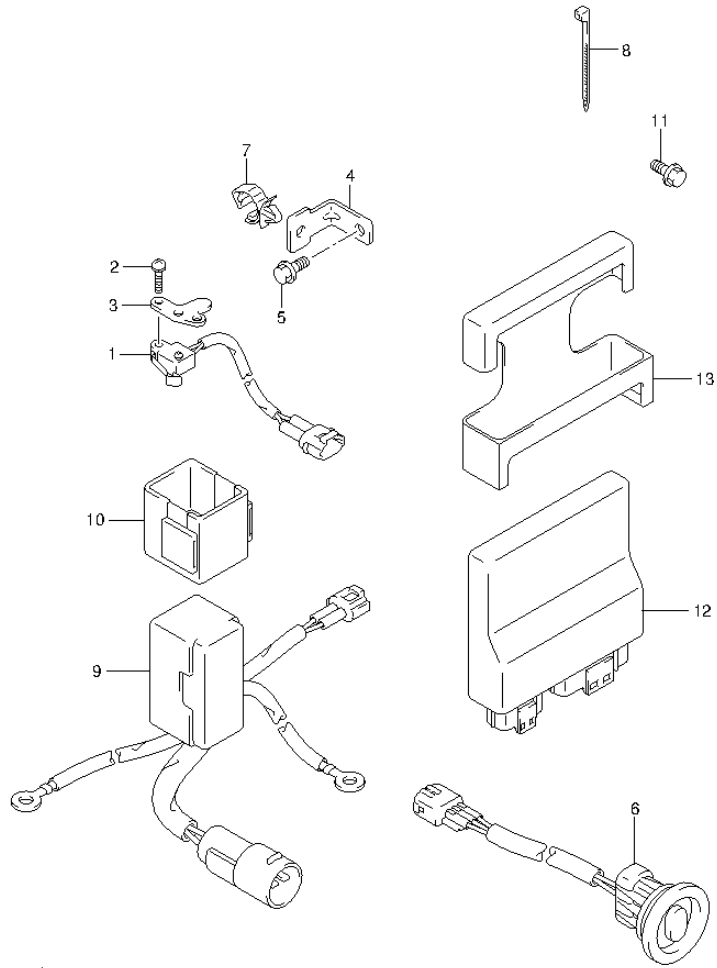


FIG.80 (1-H-10) PTT SWITCH/ENGINE CONTROL UNIT (DF70A E01)

REF NO.	PART NO.	DESCRIPTION	Q'TY	REMARKS
1	37721-93J00	SWITCH ASSY, NEUTRAL	1	
2	09137-04004	SCREW (4X16)	2	
3	37726-90J10	BRACKET, NEUTRAL SWITCH	1	
4	37726-87L00	BRACKET, SWITCH LEAD CLAMP	1	
5	01550-06127	BOLT	1	
6	37850-99E04	SWITCH ASSY, PTT	1	
7	09403-11321	CLAMP	1	
8	09407-10404	CLAMP (L:100)	1	
9	38410-93J12	RELAY ASSY, PTT	1	
10	38415-93J00	HOLDER, PTT RELAY	1	
11	01550-06127	BOLT	1	
12	33930-87LA0	UNIT, ENGINE CONTROL	1	
13	33925-92J00	CUSHION, ENGINE CONTROL UNIT	1	



FIG.81

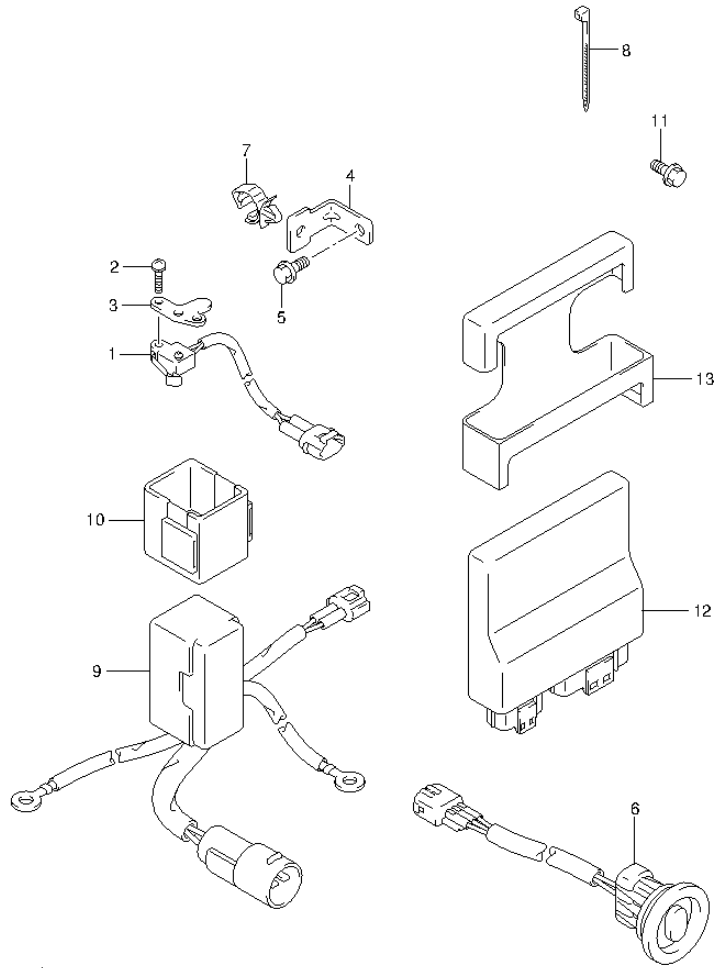


FIG.81 (1-H-11) PTT SWITCH/ENGINE CONTROL UNIT (DF70A E40)

REF NO.	PART NO.	DESCRIPTION	Q'TY	REMARKS
1	37721-93J00	SWITCH ASSY, NEUTRAL	1	
2	09137-04004	SCREW (4X16)	2	
3	37726-90J10	BRACKET, NEUTRAL SWITCH	1	
4	37726-87L00	BRACKET, SWITCH LEAD CLAMP	1	
5	01550-06127	BOLT	1	
6	37850-99E04	SWITCH ASSY, PTT	1	
7	09403-11321	CLAMP	1	
8	09407-10404	CLAMP (L:100)	1	
9	38410-93J12	RELAY ASSY, PTT	1	
10	38415-93J00	HOLDER, PTT RELAY	1	
11	01550-06127	BOLT	1	
12	33930-87LB0	UNIT, ENGINE CONTROL	1	
13	33925-92J00	CUSHION, ENGINE CONTROL UNIT	1	



FIG.82

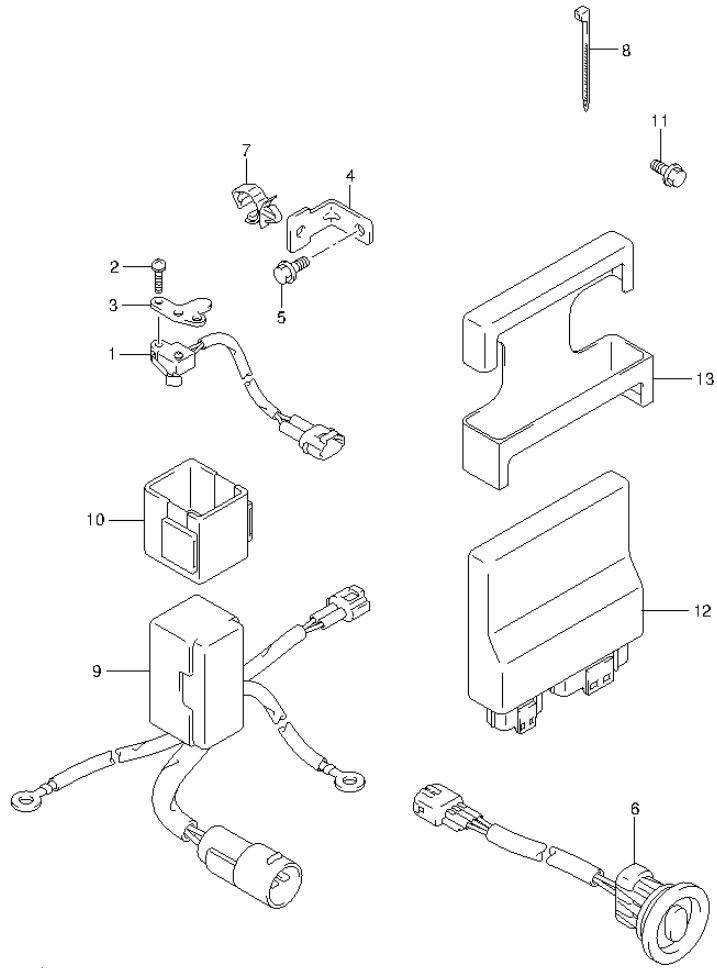


FIG.82 (1-H-12) PTT SWITCH/ENGINE CONTROL UNIT (DF70ATH E01)

REF NO.	PART NO.	DESCRIPTION	Q'TY	REMARKS
1	37721-93J00	SWITCH ASSY, NEUTRAL	1	
2	09137-04004	SCREW (4X16)	2	
3	37726-90J10	BRACKET, NEUTRAL SWITCH	1	
4	37726-87L00	BRACKET, SWITCH LEAD CLAMP	1	
5	01550-06127	BOLT	1	
6	37850-99E04	SWITCH ASSY, PTT	1	
7	09403-11321	CLAMP	1	
8	09407-10404	CLAMP (L:100)	1	
9	38410-93J12	RELAY ASSY, PTT	1	
10	38415-93J00	HOLDER, PTT RELAY	1	
11	01550-06127	BOLT	1	
12	33930-87LA0	UNIT, ENGINE CONTROL	1	
13	33925-92J00	CUSHION, ENGINE CONTROL UNIT	1	



FIG.83

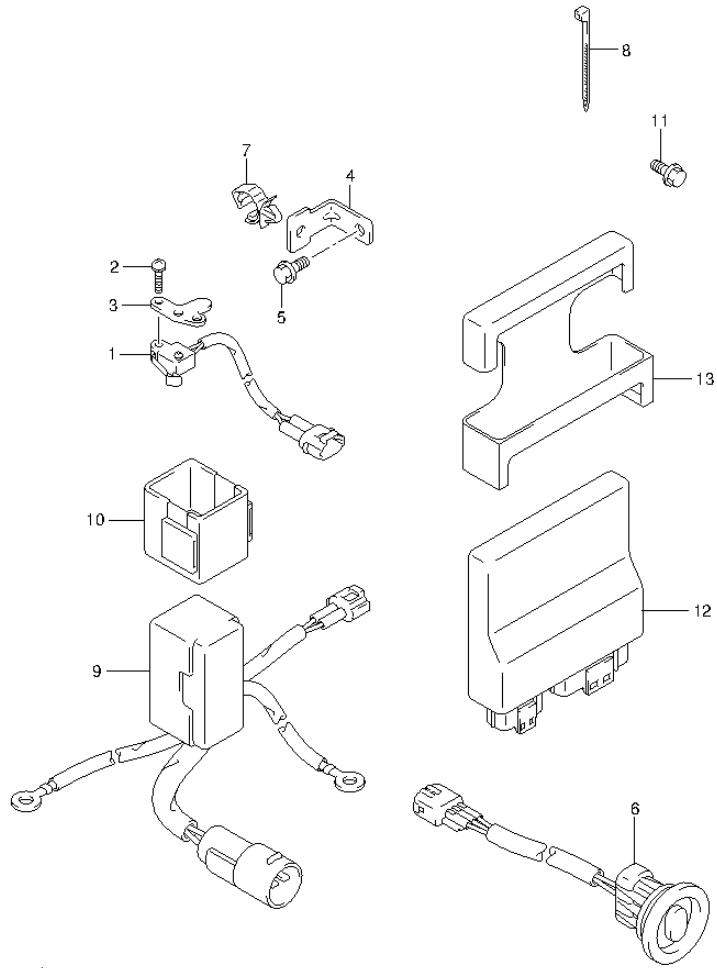


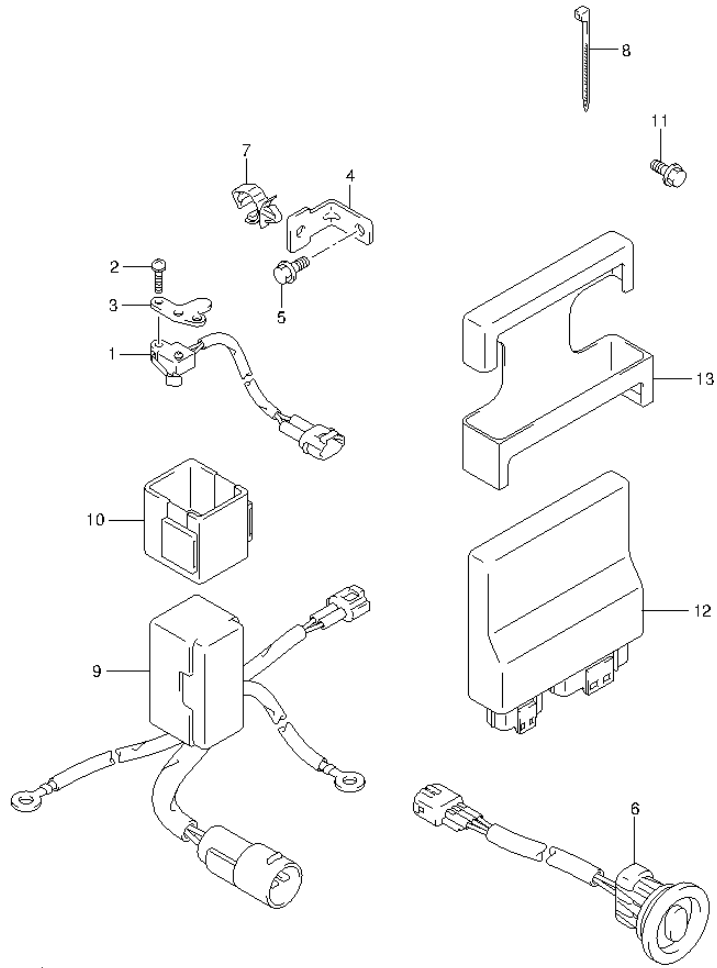
FIG.83 (1-H-13) PTT SWITCH/ENGINE CONTROL UNIT (DF70ATH E40)

REF NO.	PART NO.	DESCRIPTION	Q'TY	REMARKS
1	37721-93J00	SWITCH ASSY, NEUTRAL	1	
2	09137-04004	SCREW (4X16)	2	
3	37726-90J10	BRACKET, NEUTRAL SWITCH	1	
4	37726-87L00	BRACKET, SWITCH LEAD CLAMP	1	
5	01550-06127	BOLT	1	
6	37850-99E04	SWITCH ASSY, PTT	1	
7	09403-11321	CLAMP	1	
8	09407-10404	CLAMP (L:100)	1	
9	38410-93J12	RELAY ASSY, PTT	1	
10	38415-93J00	HOLDER, PTT RELAY	1	
11	01550-06127	BOLT	1	
12	33930-87LB0	UNIT, ENGINE CONTROL	1	
13	33925-92J00	CUSHION, ENGINE CONTROL UNIT	1	



FIG.84

FIG.84 (1-H-14) PTT SWITCH/ENGINE CONTROL UNIT (DF80A E01)



REF NO.	PART NO.	DESCRIPTION	Q'TY	REMARKS
1	37721-93J00	SWITCH ASSY, NEUTRAL	1	
2	09137-04004	SCREW (4X16)	2	
3	37726-90J10	BRACKET, NEUTRAL SWITCH	1	
4	37726-87L00	BRACKET, SWITCH LEAD CLAMP	1	
5	01550-06127	BOLT	1	
6	37850-99E04	SWITCH ASSY, PTT	1	
7	09403-11321	CLAMP	1	
8	09407-10404	CLAMP (L:100)	1	
9	38410-93J12	RELAY ASSY, PTT	1	
10	38415-93J00	HOLDER, PTT RELAY	1	
11	01550-06127	BOLT	1	
12	33930-87L60	UNIT, ENGINE CONTROL	1	
13	33925-92J00	CUSHION, ENGINE CONTROL UNIT	1	



FIG.85

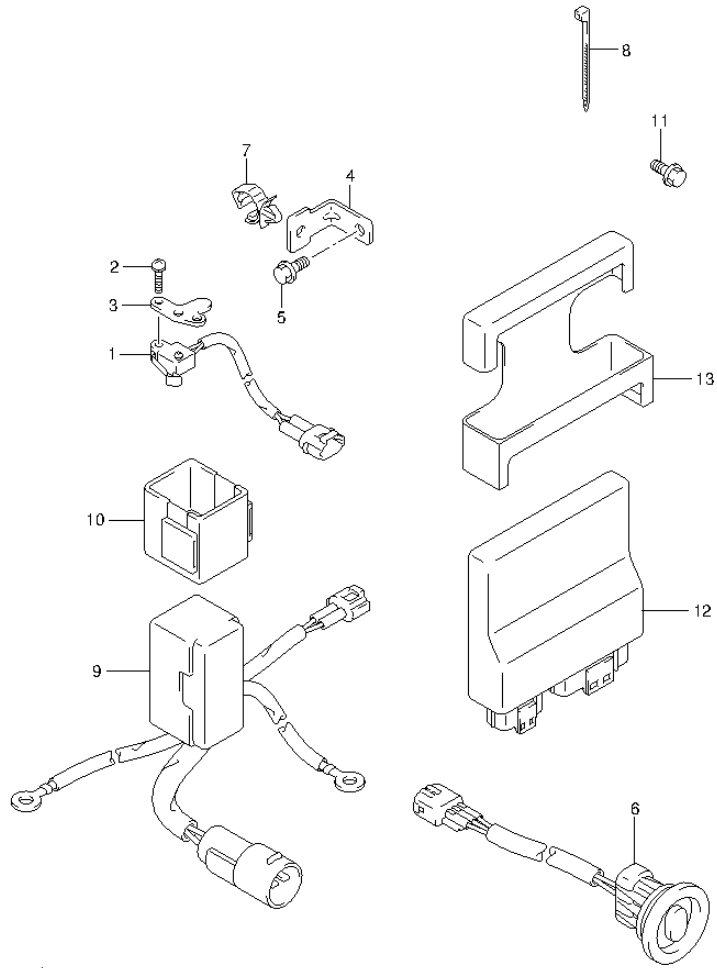


FIG.85 (1-H-15) PTT SWITCH/ENGINE CONTROL UNIT (DF80A E40)

REF NO.	PART NO.	DESCRIPTION	Q'TY	REMARKS
1	37721-93J00	SWITCH ASSY, NEUTRAL	1	
2	09137-04004	SCREW (4X16)	2	
3	37726-90J10	BRACKET, NEUTRAL SWITCH	1	
4	37726-87L00	BRACKET, SWITCH LEAD CLAMP	1	
5	01550-06127	BOLT	1	
6	37850-99E04	SWITCH ASSY, PTT	1	
7	09403-11321	CLAMP	1	
8	09407-10404	CLAMP (L:100)	1	
9	38410-93J12	RELAY ASSY, PTT	1	
10	38415-93J00	HOLDER, PTT RELAY	1	
11	01550-06127	BOLT	1	
12	33930-87L70	UNIT, ENGINE CONTROL	1	
13	33925-92J00	CUSHION, ENGINE CONTROL UNIT	1	



FIG.86

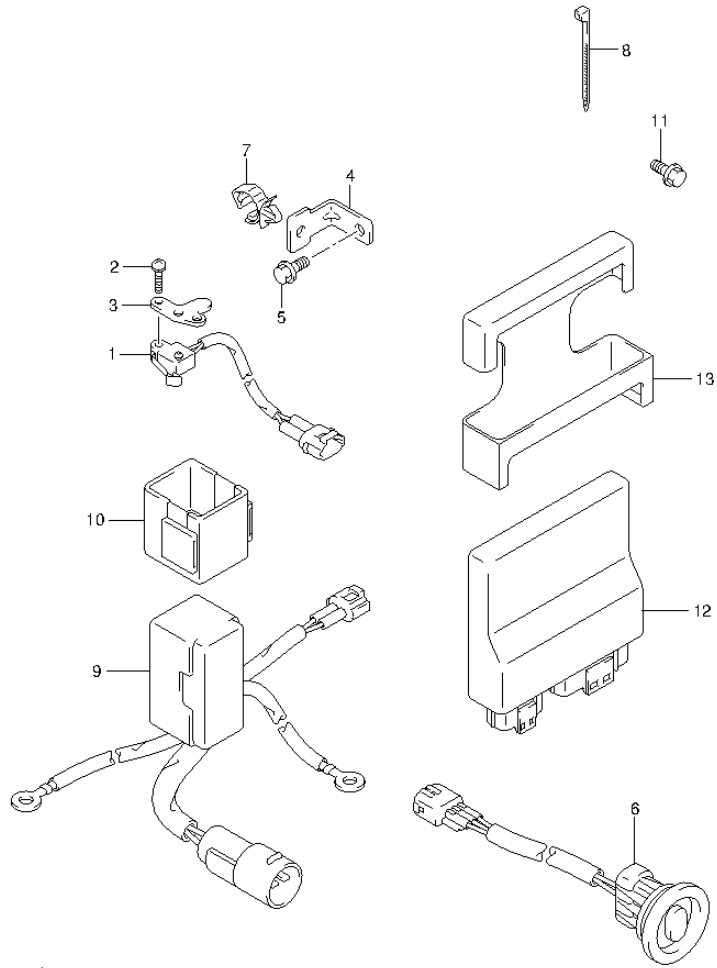


FIG.86 (1-1-2) PTT SWITCH/ENGINE CONTROL UNIT (DF90A E01)

REF NO.	PART NO.	DESCRIPTION	Q'TY	REMARKS
1	37721-93J00	SWITCH ASSY, NEUTRAL	1	
2	09137-04004	SCREW (4X16)	2	
3	37726-90J10	BRACKET, NEUTRAL SWITCH	1	
4	37726-87L00	BRACKET, SWITCH LEAD CLAMP	1	
5	01550-06127	BOLT	1	
6	37850-99E04	SWITCH ASSY, PTT	1	
7	09403-11321	CLAMP	1	
8	09407-10404	CLAMP (L:100)	1	
9	38410-93J12	RELAY ASSY, PTT	1	
10	38415-93J00	HOLDER, PTT RELAY	1	
11	01550-06127	BOLT	1	
12	33930-87L80	UNIT, ENGINE CONTROL	1	
13	33925-92J00	CUSHION, ENGINE CONTROL UNIT	1	



FIG.87

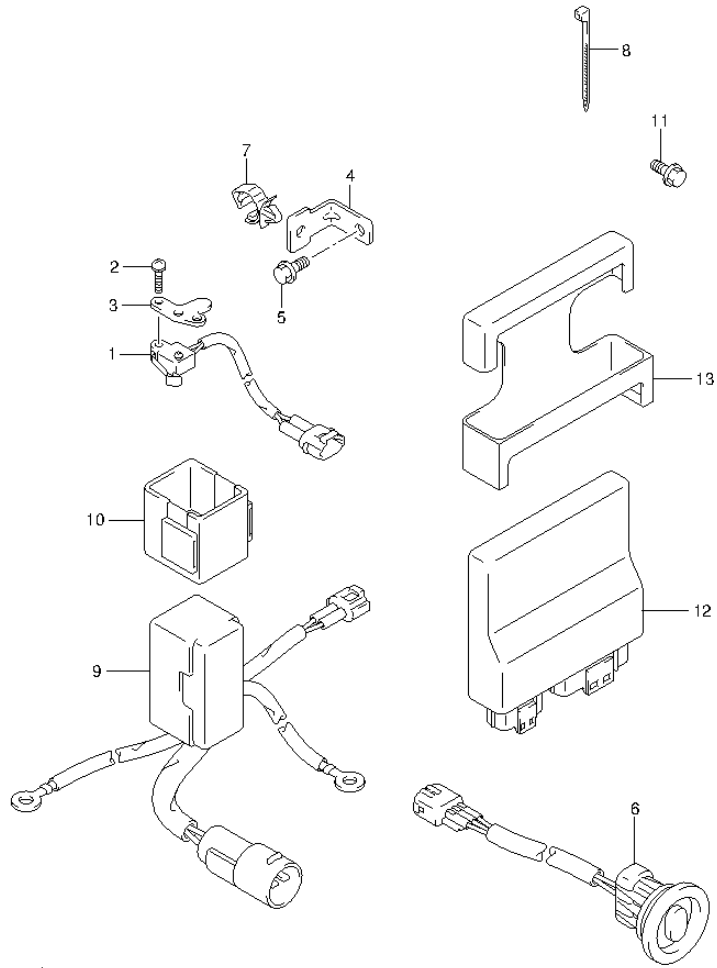


FIG.87 (1-1-3) PTT SWITCH/ENGINE CONTROL UNIT (DF90A E40)

REF NO.	PART NO.	DESCRIPTION	Q'TY	REMARKS
1	37721-93J00	SWITCH ASSY, NEUTRAL	1	
2	09137-04004	SCREW (4X16)	2	
3	37726-90J10	BRACKET, NEUTRAL SWITCH	1	
4	37726-87L00	BRACKET, SWITCH LEAD CLAMP	1	
5	01550-06127	BOLT	1	
6	37850-99E04	SWITCH ASSY, PTT	1	
7	09403-11321	CLAMP	1	
8	09407-10404	CLAMP (L:100)	1	
9	38410-93J12	RELAY ASSY, PTT	1	
10	38415-93J00	HOLDER, PTT RELAY	1	
11	01550-06127	BOLT	1	
12	33930-87L90	UNIT, ENGINE CONTROL	1	
13	33925-92J00	CUSHION, ENGINE CONTROL UNIT	1	



FIG.88

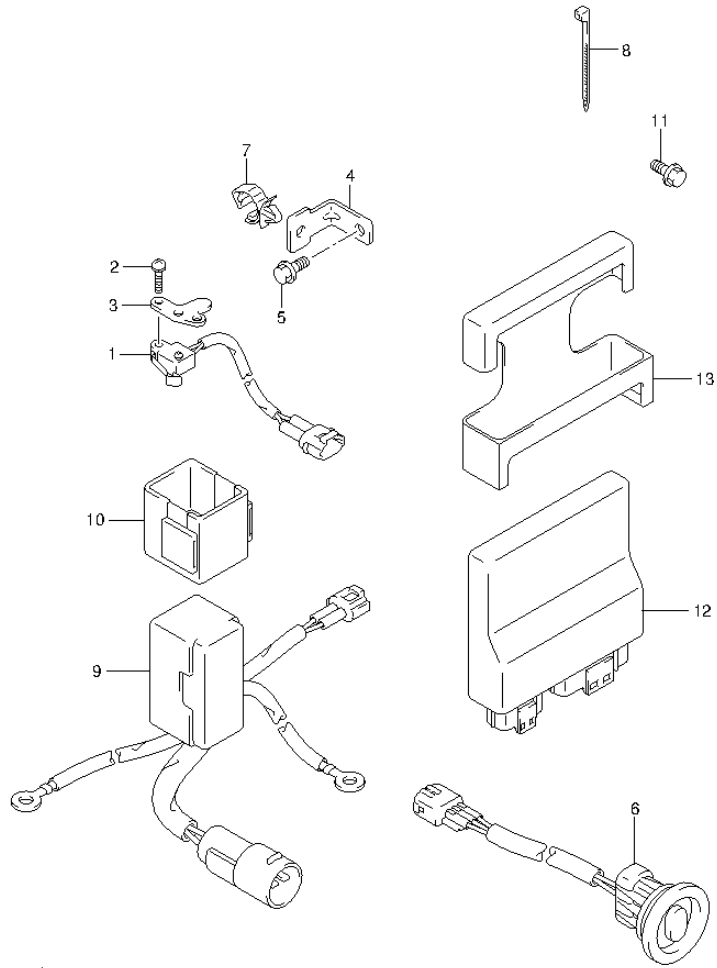


FIG.88 (1-1-4) PTT SWITCH/ENGINE CONTROL UNIT (DF90ATH E01)

REF NO.	PART NO.	DESCRIPTION	Q'TY	REMARKS
1	37721-93J00	SWITCH ASSY, NEUTRAL	1	
2	09137-04004	SCREW (4X16)	2	
3	37726-90J10	BRACKET, NEUTRAL SWITCH	1	
4	37726-87L00	BRACKET, SWITCH LEAD CLAMP	1	
5	01550-06127	BOLT	1	
6	37850-99E04	SWITCH ASSY, PTT	1	
7	09403-11321	CLAMP	1	
8	09407-10404	CLAMP (L:100)	1	
9	38410-93J12	RELAY ASSY, PTT	1	
10	38415-93J00	HOLDER, PTT RELAY	1	
11	01550-06127	BOLT	1	
12	33930-87L80	UNIT, ENGINE CONTROL	1	
13	33925-92J00	CUSHION, ENGINE CONTROL UNIT	1	



FIG.89

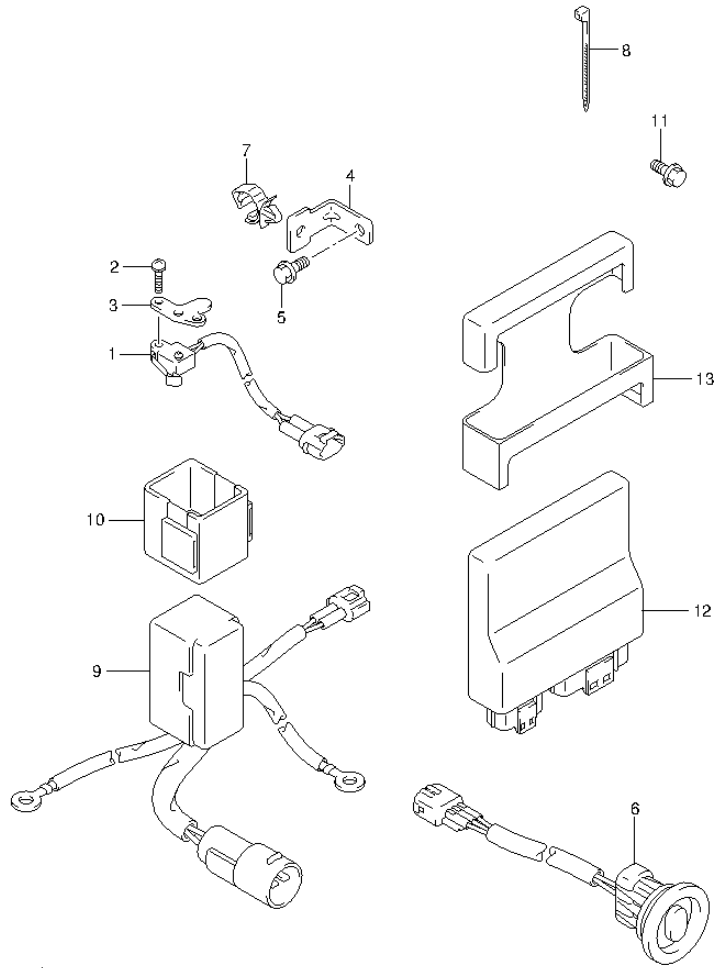


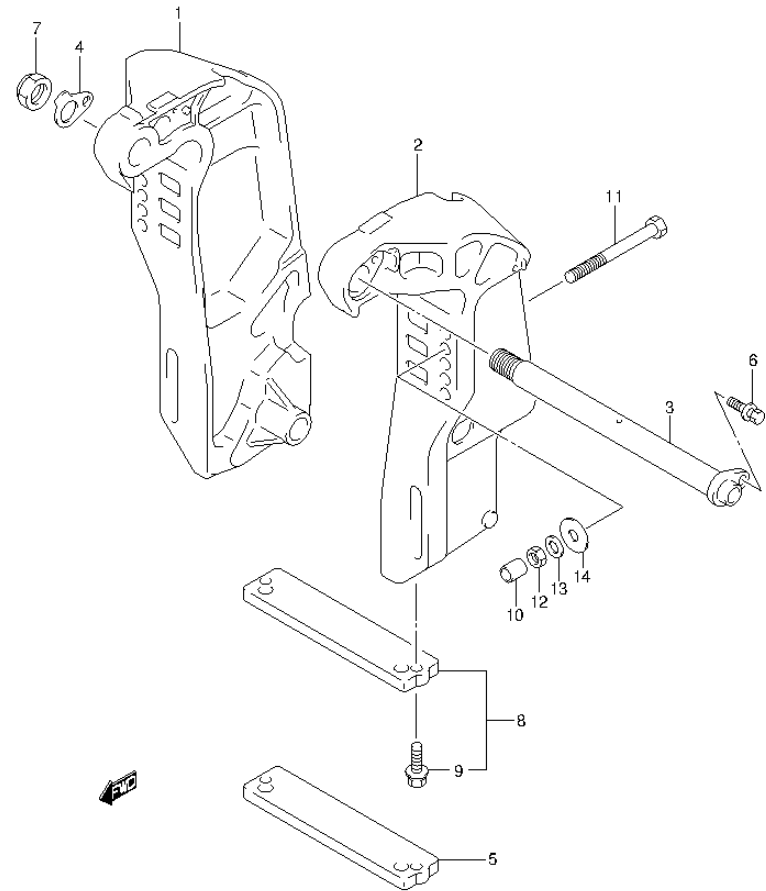
FIG.89 (1-1-5) PTT SWITCH/ENGINE CONTROL UNIT (DF90ATH E40)

REF NO.	PART NO.	DESCRIPTION	Q'TY	REMARKS
1	37721-93J00	SWITCH ASSY, NEUTRAL	1	
2	09137-04004	SCREW (4X16)	2	
3	37726-90J10	BRACKET, NEUTRAL SWITCH	1	
4	37726-87L00	BRACKET, SWITCH LEAD CLAMP	1	
5	01550-06127	BOLT	1	
6	37850-99E04	SWITCH ASSY, PTT	1	
7	09403-11321	CLAMP	1	
8	09407-10404	CLAMP (L:100)	1	
9	38410-93J12	RELAY ASSY, PTT	1	
10	38415-93J00	HOLDER, PTT RELAY	1	
11	01550-06127	BOLT	1	
12	33930-87L90	UNIT, ENGINE CONTROL	1	
13	33925-92J00	CUSHION, ENGINE CONTROL UNIT	1	



FIG.90

FIG.90 (1-I-6) CLAMP BRACKET



REF NO.	PART NO.	DESCRIPTION	Q'TY	REMARKS
1	41111-87L10-0EP	BRACKET, CLAMP STBD (BLACK)	1	
2	41121-87L10-0EP	BRACKET, CLAMP PORT (BLACK)	1	
3	41130-87L11	SHAFT, CLAMP BRACKET	1	
4	41135-93J11	WASHER, CLAMP BRACKET SHAFT	1	
5	55321-94910	ANODE (MAGNESIUM)	1	OPT
6	09116-08137	BOLT (8X22)	1	
7	09159-22006	NUT	1	
8	55320-94900	ANODE SET, CLAMP BRACKET	1	
9	09116-06121	.BOLT (6X25)	2	
10	41153-94500	CAP, TRANSOM BOLT	4	
11-1	09100-12091	BOLT (12X115)	4	
11-2	09100-12090	BOLT (12X150)	1	OPT
12	09159-12014	NUT	4	
13	09160-12110	WASHER (12.5X22X3)	4	
14	09160-12044	WASHER (12.5X35X3.2)	4	

FIG.91

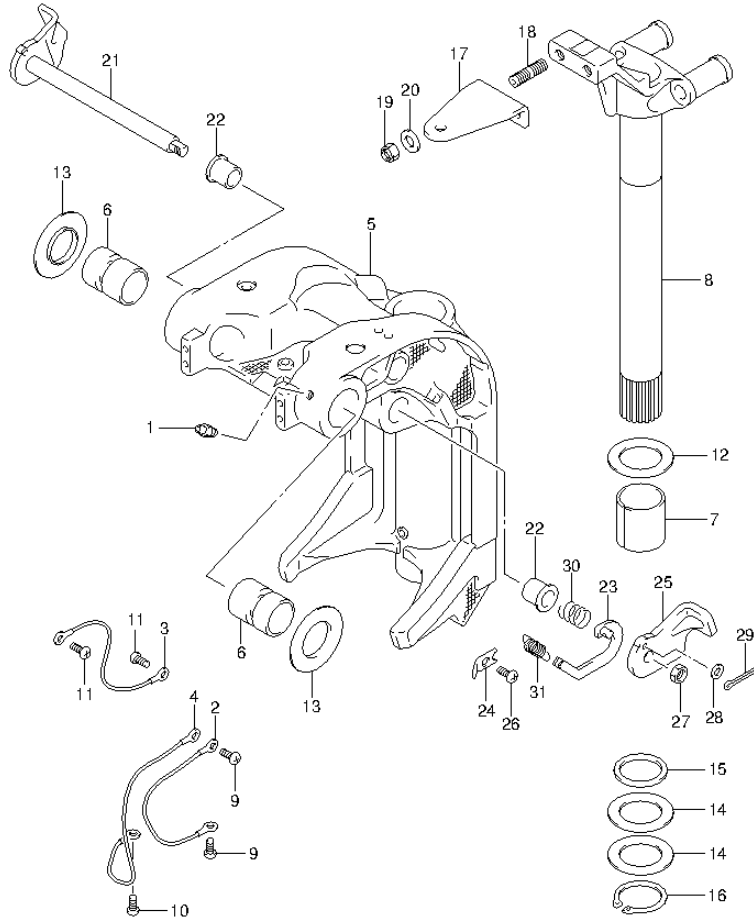


FIG.91 (1-I-7) SWIVEL BRACKET (DF70A E01)

REF NO.	PART NO.	DESCRIPTION	Q'TY	REMARKS
1	22511-99011	NIPPLE, GREASE	5	
2	36894-87D00	LEAD (SWIVEL TO MOUNT BRKT)	1	
3	36894-87D00	LEAD (CLAMP TO SWIVEL)	1	
4	36895-87D10	LEAD (SWIVEL TO HOUSING)	1	
5	43111-87L20-0EP	BRACKET, SWIVEL (BLACK)	1	
6	43211-93J00	BUSH, CLAMP SHAFT SWIVEL	2	
7	43711-97E01	BUSH, STEERING	2	
8	43750-87L00-0EP	BRACKET, STEERING (BLACK)	1	
9	09125-06063	SCREW (6X10)	2	
10	09125-06063	SCREW (6X10)	1	
11	09125-06063	SCREW (6X10)	2	
12	09160-39001	WASHER (39.5X64X1)	2	
13	09169-28003	WASHER	2	
14	09181-39001	SHIM (39.5X64X0.3)	4	
15	09282-39001	OIL SEAL (39X51X5)	1	
16	09380-38003	CIRCLIP	1	
17	43755-87L00-0EP	ATTACHMENT, STEERING BRKT (BLACK)	1	
18	09108-10156	STUD BOLT	2	
19	09159-10050	NUT	2	
20	09160-10141	WASHER (10.5X19X2)	2	
21	41220-93J11	LEVER, TILT LOCK	1	
22	41224-95E01	BUSH, TILT STOPPER ROD	2	
23	41230-87L00	LINK, TILT LOCK LEVER	1	
24	41233-95E10	BRACKET, TILT LOCK SPRING	1	
25	41234-93J11	LEVER, TILT LOCK PORT	1	
26	09125-06063	SCREW (6X10)	1	
27	09140-10032	NUT	1	
28	09160-06082	WASHER (6.5X13X1.0)	1	
29	09204-01006	PIN	1	
30	09440-19028	SPRING	1	
31	09443-10043	SPRING	1	



FIG.92

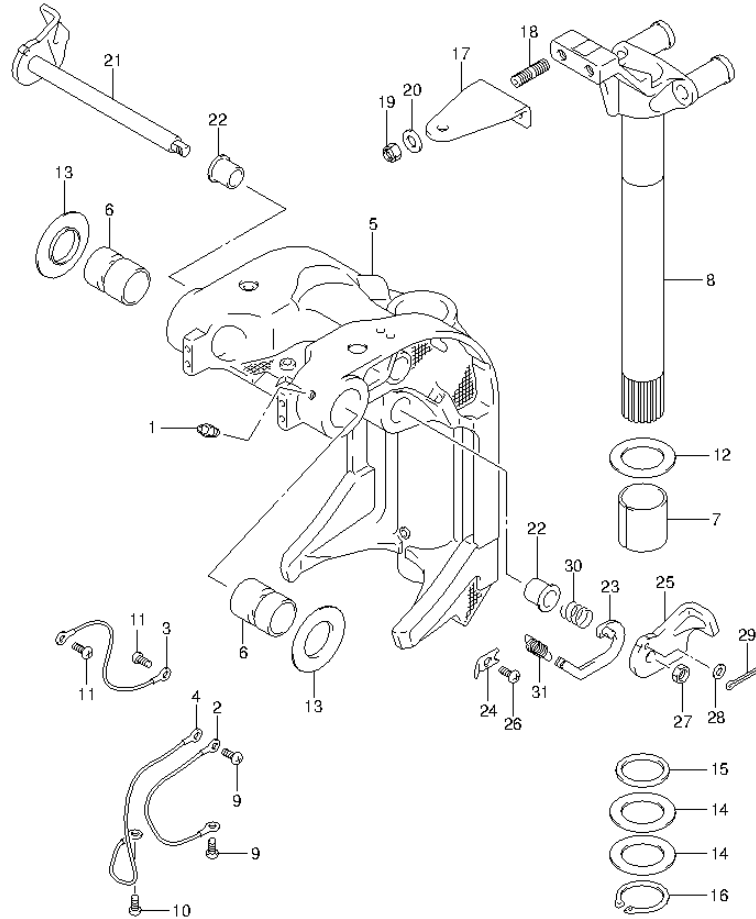


FIG.92 (1-I-8) SWIVEL BRACKET (DF70A E40)

REF NO.	PART NO.	DESCRIPTION	Q'TY	REMARKS
1	22511-99011	NIPPLE, GREASE	5	
2	36894-87D00	LEAD (SWIVEL TO MOUNT BRKT)	1	
3	36894-87D00	LEAD (CLAMP TO SWIVEL)	1	
4	36895-87D10	LEAD (SWIVEL TO HOUSING)	1	
5	43111-87L20-0EP	BRACKET, SWIVEL (BLACK)	1	
6	43211-93J00	BUSH, CLAMP SHAFT SWIVEL	2	
7	43711-97E01	BUSH, STEERING	2	
8	43750-87L00-0EP	BRACKET, STEERING (BLACK)	1	
9	09125-06063	SCREW (6X10)	2	
10	09125-06063	SCREW (6X10)	1	
11	09125-06063	SCREW (6X10)	2	
12	09160-39001	WASHER (39.5X64X1)	2	
13	09169-28003	WASHER	2	
14	09181-39001	SHIM (39.5X64X0.3)	4	
15	09282-39001	OIL SEAL (39X51X5)	1	
16	09380-38003	CIRCLIP	1	
17	43755-87L00-0EP	ATTACHMENT, STEERING BRKT (BLACK)	1	
18	09108-10156	STUD BOLT	2	
19	09159-10050	NUT	2	
20	09160-10141	WASHER (10.5X19X2)	2	
21	41220-93J11	LEVER, TILT LOCK	1	
22	41224-95E01	BUSH, TILT STOPPER ROD	2	
23	41230-87L00	LINK, TILT LOCK LEVER	1	
24	41233-95E10	BRACKET, TILT LOCK SPRING	1	
25	41234-93J11	LEVER, TILT LOCK PORT	1	
26	09125-06063	SCREW (6X10)	1	
27	09140-10032	NUT	1	
28	09160-06082	WASHER (6.5X13X1.0)	1	
29	09204-01006	PIN	1	
30	09440-19028	SPRING	1	
31	09443-10043	SPRING	1	



FIG.93

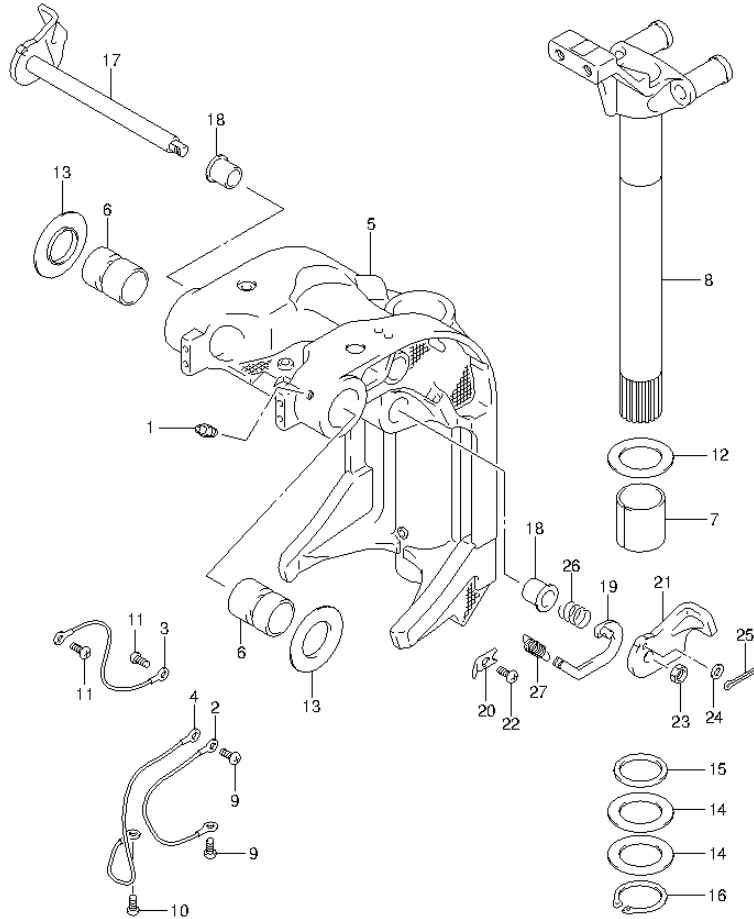


FIG.93 (1-I-9) SWIVEL BRACKET (DF70ATH E01)

REF NO.	PART NO.	DESCRIPTION	Q'TY	REMARKS
1	22511-99011	NIPPLE, GREASE	5	
2	36894-87D00	LEAD (SWIVEL TO MOUNT BRKT)	1	
3	36894-87D00	LEAD (CLAMP TO SWIVEL)	1	
4	36895-87D10	LEAD (SWIVEL TO HOUSING)	1	
5	43111-87L20-0EP	BRACKET, SWIVEL (BLACK)	1	
6	43211-93J00	BUSH, CLAMP SHAFT SWIVEL	2	
7	43711-97E01	BUSH, STEERING	2	
8	43750-87L00-0EP	BRACKET, STEERING (BLACK)	1	
9	09125-06063	SCREW (6X10)	2	
10	09125-06063	SCREW (6X10)	1	
11	09125-06063	SCREW (6X10)	2	
12	09160-39001	WASHER (39.5X64X1)	2	
13	09169-28003	WASHER	2	
14	09181-39001	SHIM (39.5X64X0.3)	4	
15	09282-39001	OIL SEAL (39X51X5)	1	
16	09380-38003	CIRCLIP	1	
17	41220-93J11	LEVER, TILT LOCK	1	
18	41224-95E01	BUSH, TILT STOPPER ROD	2	
19	41230-87L00	LINK, TILT LOCK LEVER	1	
20	41233-95E10	BRACKET, TILT LOCK SPRING	1	
21	41234-93J11	LEVER, TILT LOCK PORT	1	
22	09125-06063	SCREW (6X10)	1	
23	09140-10032	NUT	1	
24	09160-06082	WASHER (6.5X13X1.0)	1	
25	09204-01006	PIN	1	
26	09440-19028	SPRING	1	
27	09443-10043	SPRING	1	



FIG.94

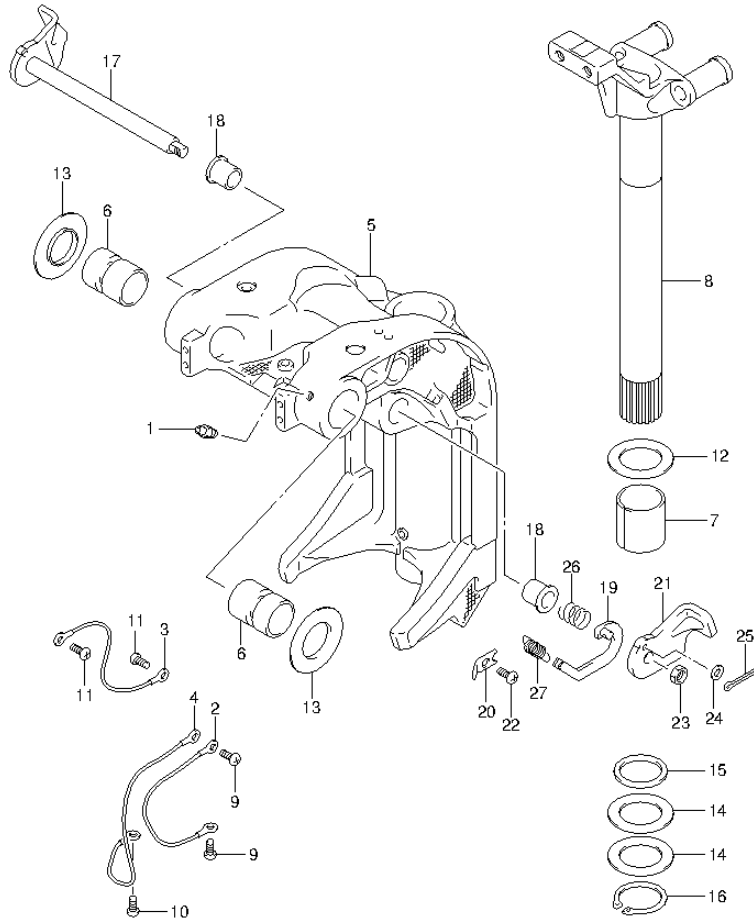


FIG.94 (1-I-10) SWIVEL BRACKET (DF70ATH E40)

REF NO.	PART NO.	DESCRIPTION	Q'TY	REMARKS
1	22511-99011	NIPPLE, GREASE	5	
2	36894-87D00	LEAD (SWIVEL TO MOUNT BRKT)	1	
3	36894-87D00	LEAD (CLAMP TO SWIVEL)	1	
4	36895-87D10	LEAD (SWIVEL TO HOUSING)	1	
5	43111-87L20-0EP	BRACKET, SWIVEL (BLACK)	1	
6	43211-93J00	BUSH, CLAMP SHAFT SWIVEL	2	
7	43711-97E01	BUSH, STEERING	2	
8	43750-87L00-0EP	BRACKET, STEERING (BLACK)	1	
9	09125-06063	SCREW (6X10)	2	
10	09125-06063	SCREW (6X10)	1	
11	09125-06063	SCREW (6X10)	2	
12	09160-39001	WASHER (39.5X64X1)	2	
13	09169-28003	WASHER	2	
14	09181-39001	SHIM (39.5X64X0.3)	4	
15	09282-39001	OIL SEAL (39X51X5)	1	
16	09380-38003	CIRCLIP	1	
17	41220-93J11	LEVER, TILT LOCK	1	
18	41224-95E01	BUSH, TILT STOPPER ROD	2	
19	41230-87L00	LINK, TILT LOCK LEVER	1	
20	41233-95E10	BRACKET, TILT LOCK SPRING	1	
21	41234-93J11	LEVER, TILT LOCK PORT	1	
22	09125-06063	SCREW (6X10)	1	
23	09140-10032	NUT	1	
24	09160-06082	WASHER (6.5X13X1.0)	1	
25	09204-01006	PIN	1	
26	09440-19028	SPRING	1	
27	09443-10043	SPRING	1	

FIG.95

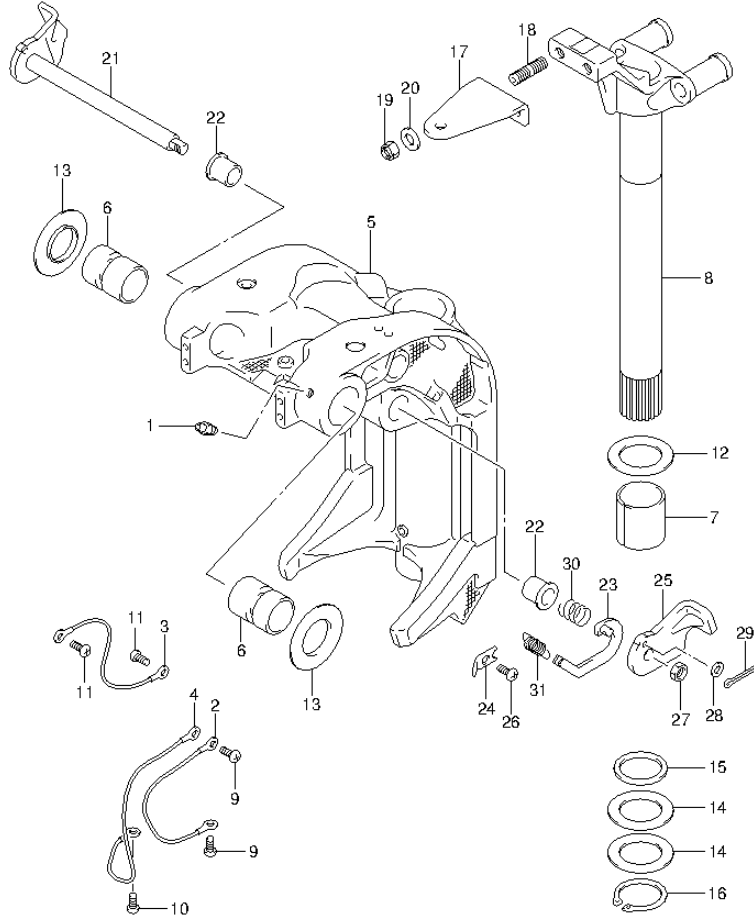


FIG.95 (1-I-11) SWIVEL BRACKET (DF80A E01)

REF NO.	PART NO.	DESCRIPTION	Q'TY	REMARKS
1	22511-99011	NIPPLE, GREASE	5	
2	36894-87D00	LEAD (SWIVEL TO MOUNT BRKT)	1	
3	36894-87D00	LEAD (CLAMP TO SWIVEL)	1	
4	36895-87D10	LEAD (SWIVEL TO HOUSING)	1	
5	43111-87L20-0EP	BRACKET, SWIVEL (BLACK)	1	
6	43211-93J00	BUSH, CLAMP SHAFT SWIVEL	2	
7	43711-97E01	BUSH, STEERING	2	
8	43750-87L00-0EP	BRACKET, STEERING (BLACK)	1	
9	09125-06063	SCREW (6X10)	2	
10	09125-06063	SCREW (6X10)	1	
11	09125-06063	SCREW (6X10)	2	
12	09160-39001	WASHER (39.5X64X1)	2	
13	09169-28003	WASHER	2	
14	09181-39001	SHIM (39.5X64X0.3)	4	
15	09282-39001	OIL SEAL (39X51X5)	1	
16	09380-38003	CIRCLIP	1	
17	43755-87L00-0EP	ATTACHMENT, STEERING BRKT (BLACK)	1	
18	09108-10156	STUD BOLT	2	
19	09159-10050	NUT	2	
20	09160-10141	WASHER (10.5X19X2)	2	
21	41220-93J11	LEVER, TILT LOCK	1	
22	41224-95E01	BUSH, TILT STOPPER ROD	2	
23	41230-87L00	LINK, TILT LOCK LEVER	1	
24	41233-95E10	BRACKET, TILT LOCK SPRING	1	
25	41234-93J11	LEVER, TILT LOCK PORT	1	
26	09125-06063	SCREW (6X10)	1	
27	09140-10032	NUT	1	
28	09160-06082	WASHER (6.5X13X1.0)	1	
29	09204-01006	PIN	1	
30	09440-19028	SPRING	1	
31	09443-10043	SPRING	1	



FIG.96

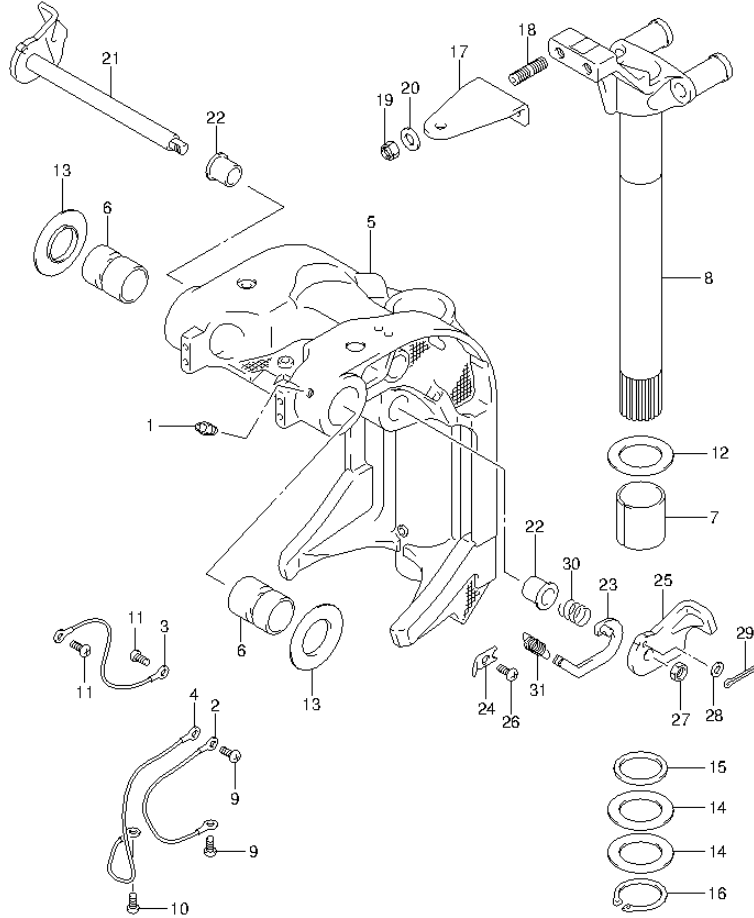


FIG.96 (1-I-12) SWIVEL BRACKET (DF80A E40)

REF NO.	PART NO.	DESCRIPTION	Q'TY	REMARKS
1	22511-99011	NIPPLE, GREASE	5	
2	36894-87D00	LEAD (SWIVEL TO MOUNT BRKT)	1	
3	36894-87D00	LEAD (CLAMP TO SWIVEL)	1	
4	36895-87D10	LEAD (SWIVEL TO HOUSING)	1	
5	43111-87L20-0EP	BRACKET, SWIVEL (BLACK)	1	
6	43211-93J00	BUSH, CLAMP SHAFT SWIVEL	2	
7	43711-97E01	BUSH, STEERING	2	
8	43750-87L00-0EP	BRACKET, STEERING (BLACK)	1	
9	09125-06063	SCREW (6X10)	2	
10	09125-06063	SCREW (6X10)	1	
11	09125-06063	SCREW (6X10)	2	
12	09160-39001	WASHER (39.5X64X1)	2	
13	09169-28003	WASHER	2	
14	09181-39001	SHIM (39.5X64X0.3)	4	
15	09282-39001	OIL SEAL (39X51X5)	1	
16	09380-38003	CIRCLIP	1	
17	43755-87L00-0EP	ATTACHMENT, STEERING BRKT (BLACK)	1	
18	09108-10156	STUD BOLT	2	
19	09159-10050	NUT	2	
20	09160-10141	WASHER (10.5X19X2)	2	
21	41220-93J11	LEVER, TILT LOCK	1	
22	41224-95E01	BUSH, TILT STOPPER ROD	2	
23	41230-87L00	LINK, TILT LOCK LEVER	1	
24	41233-95E10	BRACKET, TILT LOCK SPRING	1	
25	41234-93J11	LEVER, TILT LOCK PORT	1	
26	09125-06063	SCREW (6X10)	1	
27	09140-10032	NUT	1	
28	09160-06082	WASHER (6.5X13X1.0)	1	
29	09204-01006	PIN	1	
30	09440-19028	SPRING	1	
31	09443-10043	SPRING	1	



FIG.97

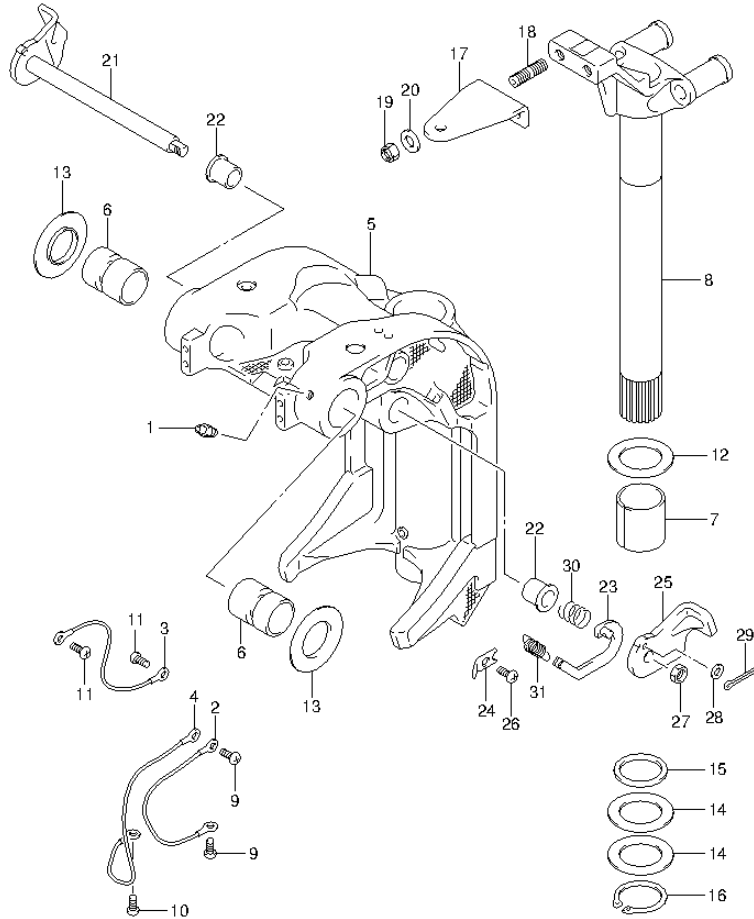


FIG.97 (1-I-13) SWIVEL BRACKET (DF90A E01)

REF NO.	PART NO.	DESCRIPTION	Q'TY	REMARKS
1	22511-99011	NIPPLE, GREASE	5	
2	36894-87D00	LEAD (SWIVEL TO MOUNT BRKT)	1	
3	36894-87D00	LEAD (CLAMP TO SWIVEL)	1	
4	36895-87D10	LEAD (SWIVEL TO HOUSING)	1	
5	43111-87L20-0EP	BRACKET, SWIVEL (BLACK)	1	
6	43211-93J00	BUSH, CLAMP SHAFT SWIVEL	2	
7	43711-97E01	BUSH, STEERING	2	
8	43750-87L00-0EP	BRACKET, STEERING (BLACK)	1	
9	09125-06063	SCREW (6X10)	2	
10	09125-06063	SCREW (6X10)	1	
11	09125-06063	SCREW (6X10)	2	
12	09160-39001	WASHER (39.5X64X1)	2	
13	09169-28003	WASHER	2	
14	09181-39001	SHIM (39.5X64X0.3)	4	
15	09282-39001	OIL SEAL (39X51X5)	1	
16	09380-38003	CIRCLIP	1	
17	43755-87L00-0EP	ATTACHMENT, STEERING BRKT (BLACK)	1	
18	09108-10156	STUD BOLT	2	
19	09159-10050	NUT	2	
20	09160-10141	WASHER (10.5X19X2)	2	
21	41220-93J11	LEVER, TILT LOCK	1	
22	41224-95E01	BUSH, TILT STOPPER ROD	2	
23	41230-87L00	LINK, TILT LOCK LEVER	1	
24	41233-95E10	BRACKET, TILT LOCK SPRING	1	
25	41234-93J11	LEVER, TILT LOCK PORT	1	
26	09125-06063	SCREW (6X10)	1	
27	09140-10032	NUT	1	
28	09160-06082	WASHER (6.5X13X1.0)	1	
29	09204-01006	PIN	1	
30	09440-19028	SPRING	1	
31	09443-10043	SPRING	1	



FIG.98

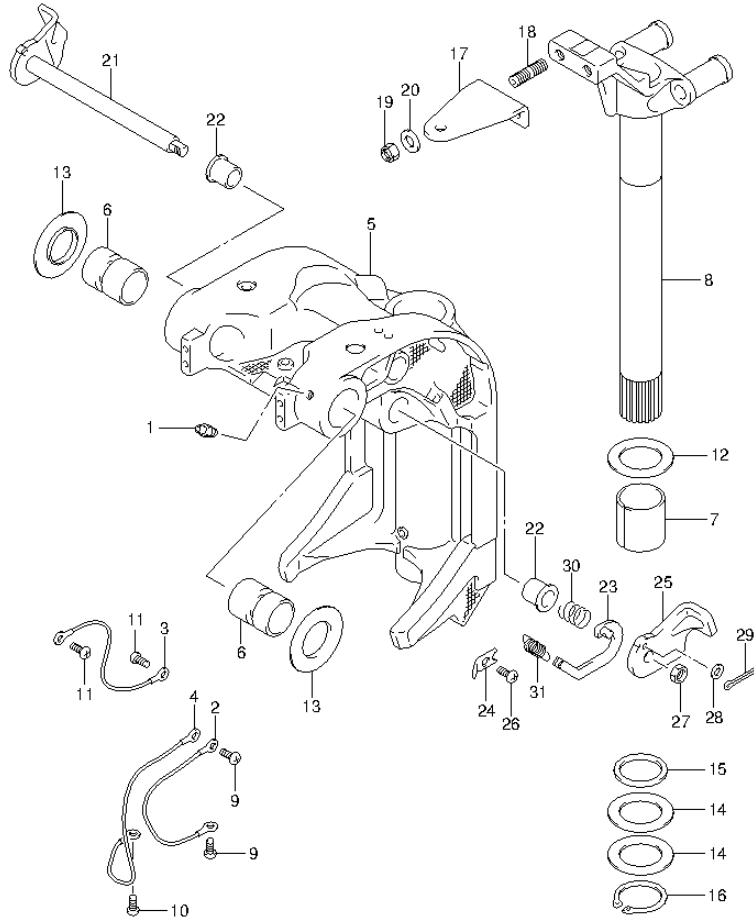


FIG.98 (1-I-14) SWIVEL BRACKET (DF90A E40)

REF NO.	PART NO.	DESCRIPTION	Q'TY	REMARKS
1	22511-99011	NIPPLE, GREASE	5	
2	36894-87D00	LEAD (SWIVEL TO MOUNT BRKT)	1	
3	36894-87D00	LEAD (CLAMP TO SWIVEL)	1	
4	36895-87D10	LEAD (SWIVEL TO HOUSING)	1	
5	43111-87L20-0EP	BRACKET, SWIVEL (BLACK)	1	
6	43211-93J00	BUSH, CLAMP SHAFT SWIVEL	2	
7	43711-97E01	BUSH, STEERING	2	
8	43750-87L00-0EP	BRACKET, STEERING (BLACK)	1	
9	09125-06063	SCREW (6X10)	2	
10	09125-06063	SCREW (6X10)	1	
11	09125-06063	SCREW (6X10)	2	
12	09160-39001	WASHER (39.5X64X1)	2	
13	09169-28003	WASHER	2	
14	09181-39001	SHIM (39.5X64X0.3)	4	
15	09282-39001	OIL SEAL (39X51X5)	1	
16	09380-38003	CIRCLIP	1	
17	43755-87L00-0EP	ATTACHMENT, STEERING BRKT (BLACK)	1	
18	09108-10156	STUD BOLT	2	
19	09159-10050	NUT	2	
20	09160-10141	WASHER (10.5X19X2)	2	
21	41220-93J11	LEVER, TILT LOCK	1	
22	41224-95E01	BUSH, TILT STOPPER ROD	2	
23	41230-87L00	LINK, TILT LOCK LEVER	1	
24	41233-95E10	BRACKET, TILT LOCK SPRING	1	
25	41234-93J11	LEVER, TILT LOCK PORT	1	
26	09125-06063	SCREW (6X10)	1	
27	09140-10032	NUT	1	
28	09160-06082	WASHER (6.5X13X1.0)	1	
29	09204-01006	PIN	1	
30	09440-19028	SPRING	1	
31	09443-10043	SPRING	1	



FIG.99

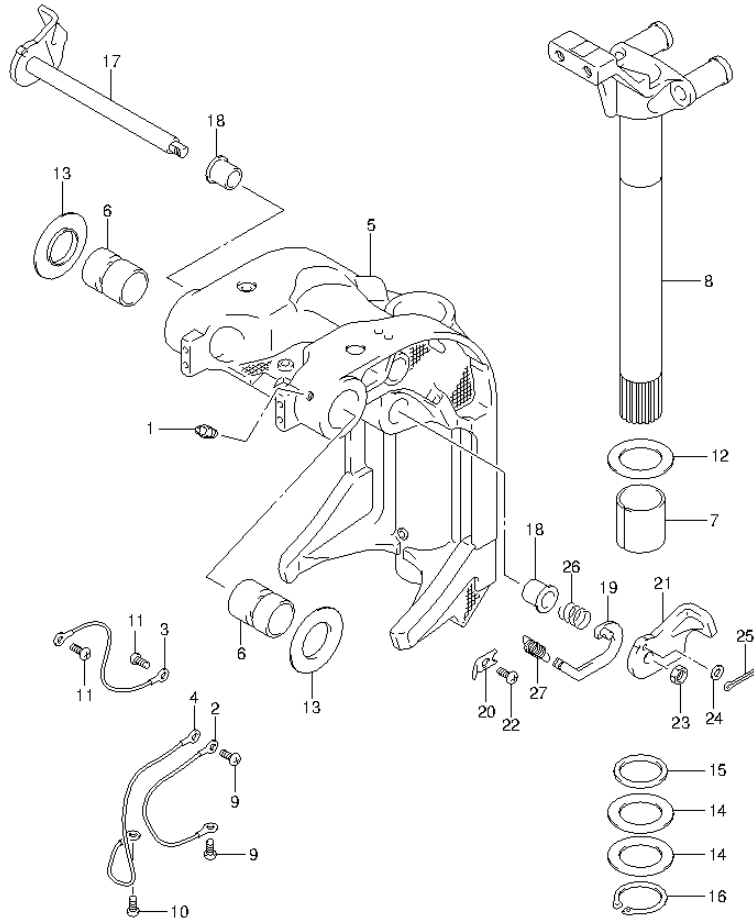


FIG.99 (1-I-15) SWIVEL BRACKET (DF90ATH E01)

REF NO.	PART NO.	DESCRIPTION	Q'TY	REMARKS
1	22511-99011	NIPPLE, GREASE	5	
2	36894-87D00	LEAD (SWIVEL TO MOUNT BRKT)	1	
3	36894-87D00	LEAD (CLAMP TO SWIVEL)	1	
4	36895-87D10	LEAD (SWIVEL TO HOUSING)	1	
5	43111-87L20-0EP	BRACKET, SWIVEL (BLACK)	1	
6	43211-93J00	BUSH, CLAMP SHAFT SWIVEL	2	
7	43711-97E01	BUSH, STEERING	2	
8	43750-87L00-0EP	BRACKET, STEERING (BLACK)	1	
9	09125-06063	SCREW (6X10)	2	
10	09125-06063	SCREW (6X10)	1	
11	09125-06063	SCREW (6X10)	2	
12	09160-39001	WASHER (39.5X64X1)	2	
13	09169-28003	WASHER	2	
14	09181-39001	SHIM (39.5X64X0.3)	4	
15	09282-39001	OIL SEAL (39X51X5)	1	
16	09380-38003	CIRCLIP	1	
17	41220-93J11	LEVER, TILT LOCK	1	
18	41224-95E01	BUSH, TILT STOPPER ROD	2	
19	41230-87L00	LINK, TILT LOCK LEVER	1	
20	41233-95E10	BRACKET, TILT LOCK SPRING	1	
21	41234-93J11	LEVER, TILT LOCK PORT	1	
22	09125-06063	SCREW (6X10)	1	
23	09140-10032	NUT	1	
24	09160-06082	WASHER (6.5X13X1.0)	1	
25	09204-01006	PIN	1	
26	09440-19028	SPRING	1	
27	09443-10043	SPRING	1	



FIG.100

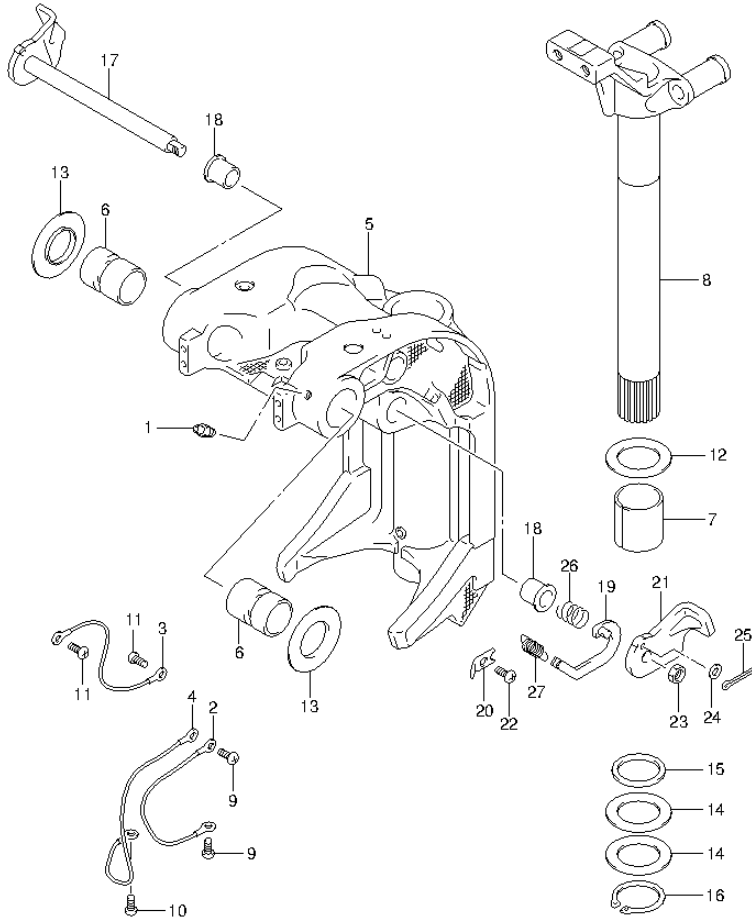


FIG.100 (1-J-2) SWIVEL BRACKET (DF90ATH E40)

REF NO.	PART NO.	DESCRIPTION	Q'TY	REMARKS
1	22511-99011	NIPPLE, GREASE	5	
2	36894-87D00	LEAD (SWIVEL TO MOUNT BRKT)	1	
3	36894-87D00	LEAD (CLAMP TO SWIVEL)	1	
4	36895-87D10	LEAD (SWIVEL TO HOUSING)	1	
5	43111-87L20-0EP	BRACKET, SWIVEL (BLACK)	1	
6	43211-93J00	BUSH, CLAMP SHAFT SWIVEL	2	
7	43711-97E01	BUSH, STEERING	2	
8	43750-87L00-0EP	BRACKET, STEERING (BLACK)	1	
9	09125-06063	SCREW (6X10)	2	
10	09125-06063	SCREW (6X10)	1	
11	09125-06063	SCREW (6X10)	2	
12	09160-39001	WASHER (39.5X64X1)	2	
13	09169-28003	WASHER	2	
14	09181-39001	SHIM (39.5X64X0.3)	4	
15	09282-39001	OIL SEAL (39X51X5)	1	
16	09380-38003	CIRCLIP	1	
17	41220-93J11	LEVER, TILT LOCK	1	
18	41224-95E01	BUSH, TILT STOPPER ROD	2	
19	41230-87L00	LINK, TILT LOCK LEVER	1	
20	41233-95E10	BRACKET, TILT LOCK SPRING	1	
21	41234-93J11	LEVER, TILT LOCK PORT	1	
22	09125-06063	SCREW (6X10)	1	
23	09140-10032	NUT	1	
24	09160-06082	WASHER (6.5X13X1.0)	1	
25	09204-01006	PIN	1	
26	09440-19028	SPRING	1	
27	09443-10043	SPRING	1	



FIG.101

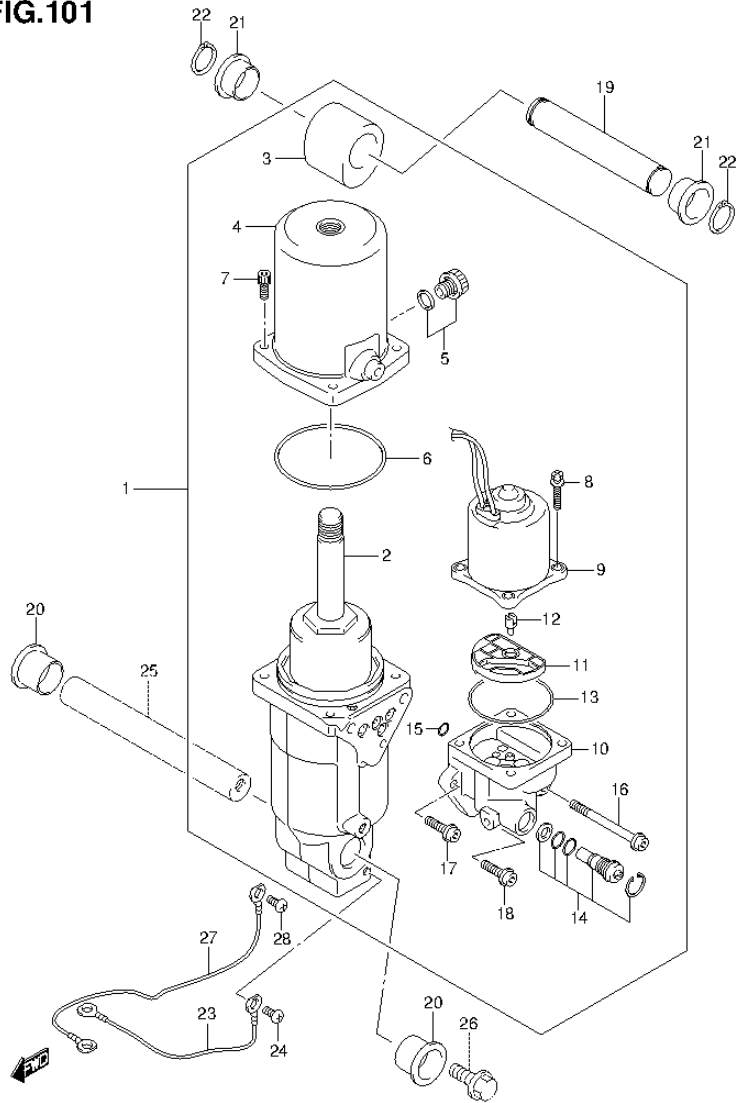


FIG.101 (1-J-3) TRIM CYLINDER

REF NO.	PART NO.	DESCRIPTION	Q'TY	REMARKS
1	48000-87L03	TRIM ASSY, POWER WITH TILT	1	
2	48400-87L02	.MANIFOLD ASSY	1	
3	48611-87L00	.JOINT, METAL	1	
4	48571-87L00	.TANK, RESERVOIR	1	
5	48572-87L00	.PLUG	1	
6	48557-90J00	.O RING	1	
7	48862-87J20	.BOLT, TANK	4	
8	31281-92J10	.BOLT	4	
9	38100-87L01	.MOTOR ASSY, PTT	1	
10	48502-87L02	.PUMP ASSY	1	
11	48582-95E01	.FILTER	1	
12	48583-95E00	.JOINT, DRIVE	1	
13	48585-95E00	.O RING	1	
14	48864-96J10	.VALVE SET, MANUAL	1	
15	48588-90J00	.O RING SET	1	
16	48862-92J20	.BOLT, PUMP NO.1	1	
17	48862-92J30	.BOLT, PUMP NO.2	1	
18	48862-90J21	.BOLT	1	
19	48321-90J00	SHAFT, TILT CYL UPPER	1	
20	48326-95E00	BUSH, TILT CYL LOWER	2	
21	48325-87L00	BUSH, TILT CYL UPPER	2	
22	09380-22015	CIRCLIP	2	
23	36894-87D00	LEAD, PTT TO ANODE	1	
24	09125-06063	SCREW (6X10)	1	
25	48121-90J00	SHAFT, TILT CYL LOWER	1	
26	09116-10174	BOLT (10X35)	1	
27	36895-87D10	LEAD (PTT TO ANODE)	1	
28	09125-05050	SCREW (5X8)	1	

FIG.102

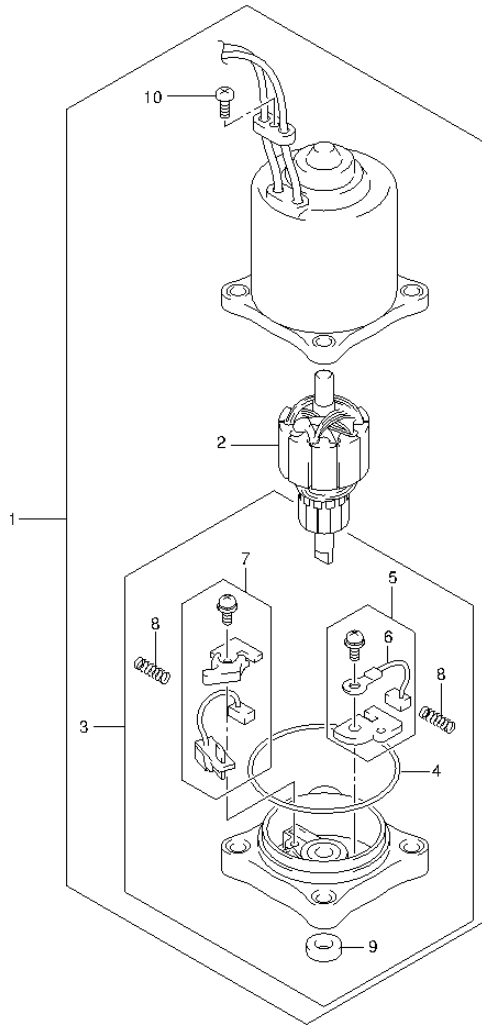


FIG.102 (1-J-4) PTT MOTOR

REF NO.	PART NO.	DESCRIPTION	Q'TY	REMARKS
1	38100-87L01	MOTOR ASSY, PTT	1	
2	31311-93J00	.ARMATURE	1	
3	31173-94910	.HOLDER, BRUSH	1	
4	31123-94910	..O RING	1	
5	31133-90J00	..BRUSH SET	1	
6	31133-94900	...BRUSH, PLUS	1	
7	31136-90J10	..BREAKER ASSY	1	
8	31135-94900	..SPRING	2	
9	33799-97E00	..OIL SEAL	1	
10	31111-94900	.SCREW	1	



FIG.103

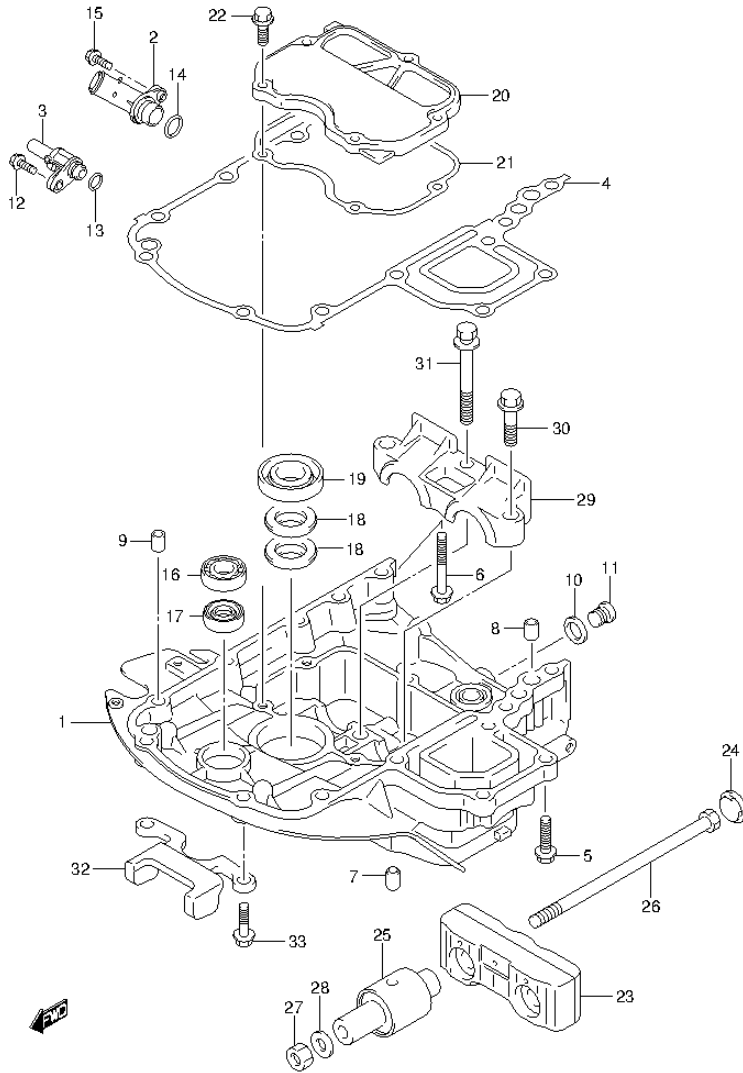


FIG.103 (1-J-5) ENGINE HOLDER

REF NO.	PART NO.	DESCRIPTION	Q'TY	REMARKS
1	51111-87L00-OEP	HOLDER, ENGINE (BLACK)	1	
2	51115-87L00	UNION, WATER RETURN	1	
3	51117-87L00	UNION, WATER INDICATOR	1	
4	51211-87L10	GASKET, ENGINE HOLDER	1	
5	09116-08128	BOLT (8X40)	7	
6	09116-08159	BOLT (8X55)	1	
7	09202-08006	PIN (8X12)	2	
8	04211-11129	PIN	2	
9	04211-11129	PIN	1	
10	09160-18031	WASHER (18.5X28X2.6)	1	
11	09248-18010	PLUG (18X15)	1	
12	29116-93J00	BOLT, WATER INDICATOR UNION	1	
13	09280-11001	O RING (D:2.4,ID:10.8)	1	
14	09280-20002	O RING (D:3.1,ID:19.4)	1	
15	01550-06207	BOLT	1	
16	09262-17019	BEARING (17X35X8)	1	
17	09289-18001	OIL SEAL (18X30X8)	1	
18	09282-22007	OIL SEAL (22X36X6)	2	
19	12281-87J00	SEAL, DRIVEN GEAR	1	
20	51122-87L00	COVER, MOUNT CASE	1	
21	51123-87L00	GASKET, MOUNT CASE COVER	1	
22	01550-0825A	BOLT	5	
23	54120-87L10	MOUNT, UPPER THRUST	1	
24	54122-87L00	SPACER, UPPER THRUST MOUNT	2	
25	54130-87L00	MOUNT, UPPER	2	
26	54166-95J02	BOLT, UPPER MOUNT	2	
27	09159-12014	NUT	2	
28	09160-12110	WASHER (12.5X22X3)	2	
29	54137-87L00-OEP	COVER, UPPER MOUNT (BLACK)	1	
30	09116-10176	BOLT (10X44)	2	
31	09116-10147	BOLT (10X85)	1	
32	54140-87L10	STOPPER, UPPER UNIT	1	
33	09116-08137	BOLT (8X22)	2	

FIG.104

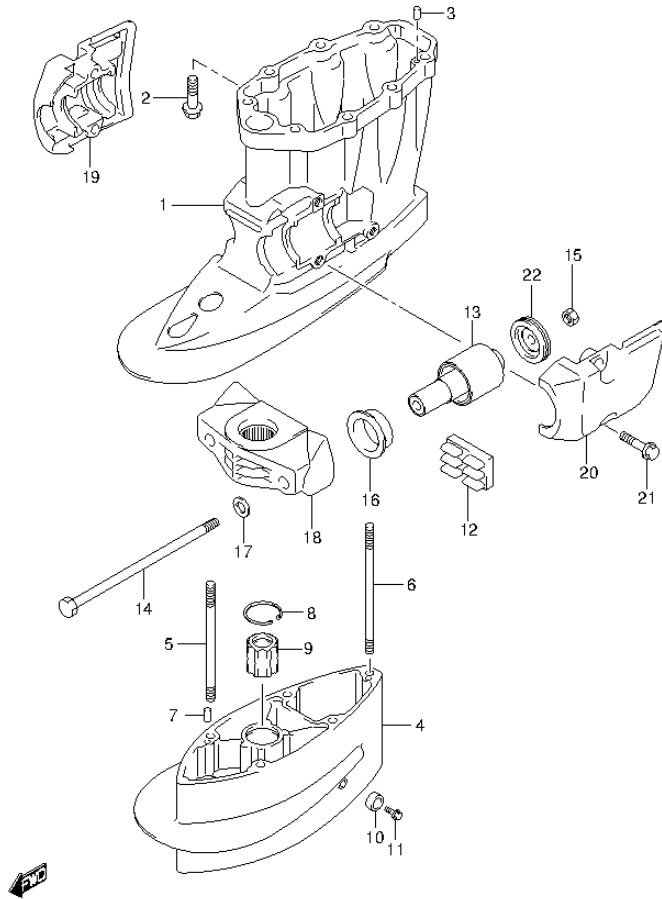


FIG.104 (1-J-6) DRIVE SHAFT HOUSING

REF NO.	PART NO.	DESCRIPTION	Q'TY	REMARKS
1	52111-87L00-0EP	HOUSING, DRIVE SHAFT (BLACK)	1	
2	09116-10176	BOLT (10X44)	8	
3	09202-08006	PIN (8X12)	2	
4	52131-87L00-0EP	CASE, EXTENSION (BLACK)	1	W/TRANSOM(X)
5	09108-10115	STUD BOLT	4	W/TRANSOM(X)
6	09108-10157	STUD BOLT	1	W/TRANSOM(X)
7	09202-08006	PIN (8X12)	2	W/TRANSOM(X)
8	09381-40005	CIRCLIP	1	W/TRANSOM(X)
9	57130-87E02	BUSH, DRIVE SHAFT	1	W/TRANSOM(X)
10	55321-87J00	ANODE, PROTECTION	1	W/TRANSOM(X)
11	09103-06281	BOLT (6X14)	1	W/TRANSOM(X)
12	54151-87L00	MOUNT, LOWER THRUST	1	
13	54160-87L10	MOUNT, LOWER	2	
14	54166-95J02	BOLT, LOWER MOUNT	2	
15	09159-12014	NUT	2	
16	54167-87L10	MOUNT, FWD LOWER SIDE	2	
17	54114-90J01	WASHER, LOWER MOUNT BOLT	2	
18	54211-90J01-0EP	BRACKET, LOWER MOUNT (BLACK)	1	
19	54221-87L00-0EP	COVER, LOWER MOUNT STBD (BLACK)	1	
20	54231-87L00-0EP	COVER, LOWER MOUNT PORT (BLACK)	1	
21	09116-10176	BOLT (10X44)	4	
22	54180-88L00	DAMPER, FWD STOPPER	2	

FIG.105

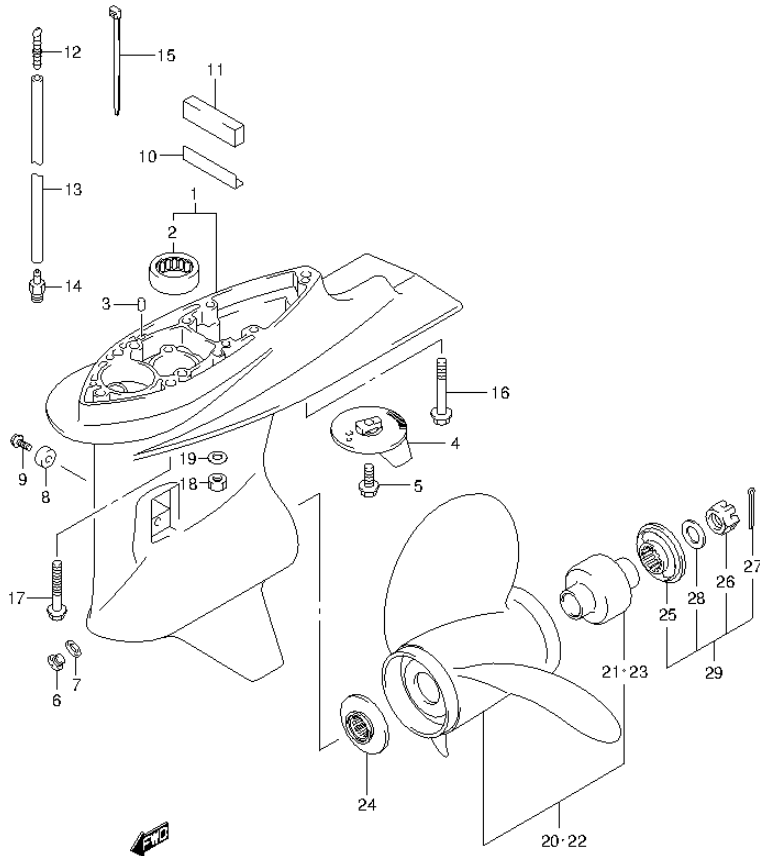


FIG.105 (1-J-7) GEAR CASE

REF NO.	PART NO.	DESCRIPTION	Q'TY	REMARKS
1	55110-87L30-OEP	CASE, GEAR (BLACK)	1	
2	09263-26023	.BEARING (26X34X30)	1	
3	09202-08006	PIN (8X12)	2	
4	55125-90J01	TAB, TRIM	1	
5	09116-08137	BOLT (8X22)	1	
6	09248-10008	PLUG (10X7.5)	2	
7	09168-10034	GASKET (9.5X16.5X2)	2	
8-1	55321-87J00	ANODE, PROTECTION	1	
8-2	55321-87J10	ANODE (MAGNESIUM)	1	OPT
9	09103-06281	BOLT (6X14)	1	
10	55333-87L00	PLATE, EXHAUST SEAL	1	
11	52332-87L10	SEAL, EXH TUBE HOUSING	1	
12	55127-87D00	UNION, SPEEDOMETER HOSE	1	
13	09355-40805-00B	HOSE (4X8X2000)	1	L:2000->1500
14	09362-09008	UNION	1	
15	09407-10404	CLAMP (L:100)	2	
16	09116-10137	BOLT (10X70)	1	W/TRANSOM(L)
17	09116-10150	BOLT (10X55)	4	W/TRANSOM(L)
18	29141-93J20	NUT, EXTENSION BOLT	5	W/TRANSOM(X)
19	09160-10141	WASHER (10.5X19X2)	5	W/TRANSOM(X)
20-1	58100-87LA0-019	PROPELLER (3X14X13)	1	
20-2	58100-87LB0-019	PROPELLER (3X13.875X15)	1	
20-3	58100-87LC0-019	PROPELLER (3X13.75X17)	1	
20-4	58100-87LD0-019	PROPELLER (3X13.75X19)	1	
20-5	58100-87LE0-019	PROPELLER (3X13.75X21)	1	
20-6	58100-87LF0-019	PROPELLER (3X13.75X23)	1	
20-7	58100-90JA0-019	PROPELLER (3X14X17)	1	OPT
20-8	58100-90JB0-019	PROPELLER (3X14X19)	1	OPT
20-9	58100-90JC0-019	PROPELLER (3X14X21)	1	OPT
20-10	58100-90JD0-019	PROPELLER (3X14X23)	1	OPT
20-11	58100-90JE0-019	PROPELLER (3X13.5X15)	1	OPT

FIG.105

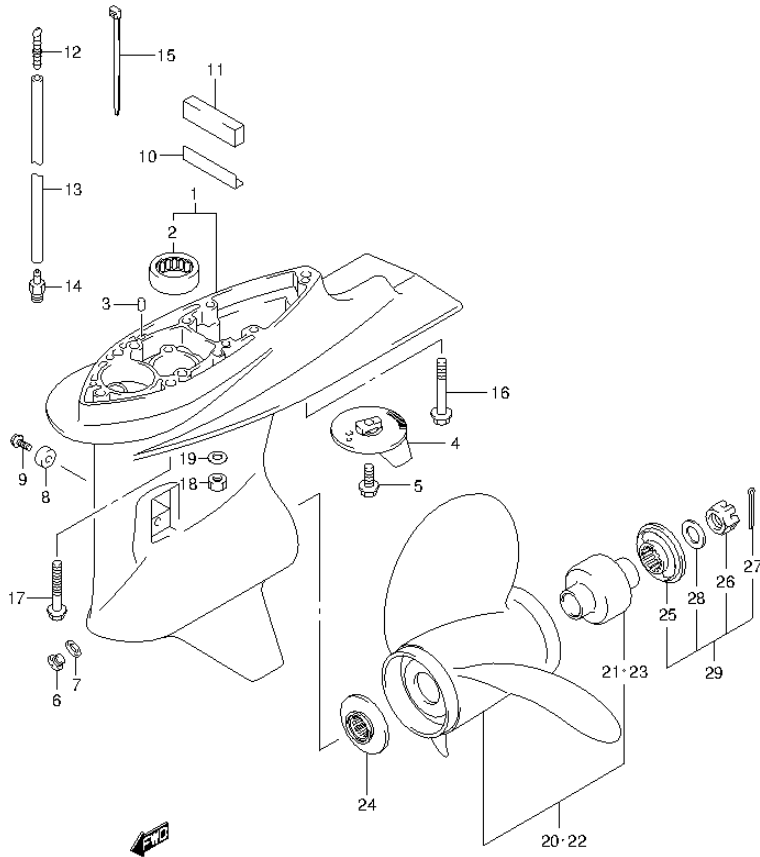


FIG.105 (1-J-8) GEAR CASE

REF NO.	PART NO.	DESCRIPTION	Q'TY	REMARKS
20-12	58200-92J40	PROPELLER (3X13.875X15)	1	OPT SUS
20-13	58200-92J50	PROPELLER (3X13.875X17)	1	OPT SUS
20-14	58200-92J60	PROPELLER (3X13.875X19)	1	OPT SUS
20-15	58200-92J70	PROPELLER (3X13.875X21)	1	OPT SUS
20-16	58200-92J80	PROPELLER (3X13.875X23)	1	OPT SUS
20-17	58200-92J90	PROPELLER (3X13.875X25)	1	OPT SUS
21	58105-90J00	.BUSH	1	
22-1	58200-90J00	PROPELLER (3X14.25X18)	1	OPT SUS
22-2	58200-90J10	PROPELLER (3X14.25X20)	1	OPT SUS
22-3	58200-90J20	PROPELLER (3X14.25X22)	1	OPT SUS
22-4	58200-90J30	PROPELLER (3X14.25X24)	1	OPT SUS
23	58120-90J00	.BUSH	1	OPT
24	57632-87L00	STOPPER, PROPELLER BUSH	1	
25	57633-90J02	SPACER, PROPELLER NUT	1	
26	09141-18005	NUT	1	
27	09204-03003	COTTER PIN	1	
28	09160-18028	WASHER (18.5X31X1)	1	
29	57630-90J00	KIT, PROPELLER NUT	1	OPT
30	25700-87L00	SEALING KIT, GEAR CASE	1	OPT NOT ILLUSTRATED

FIG.106

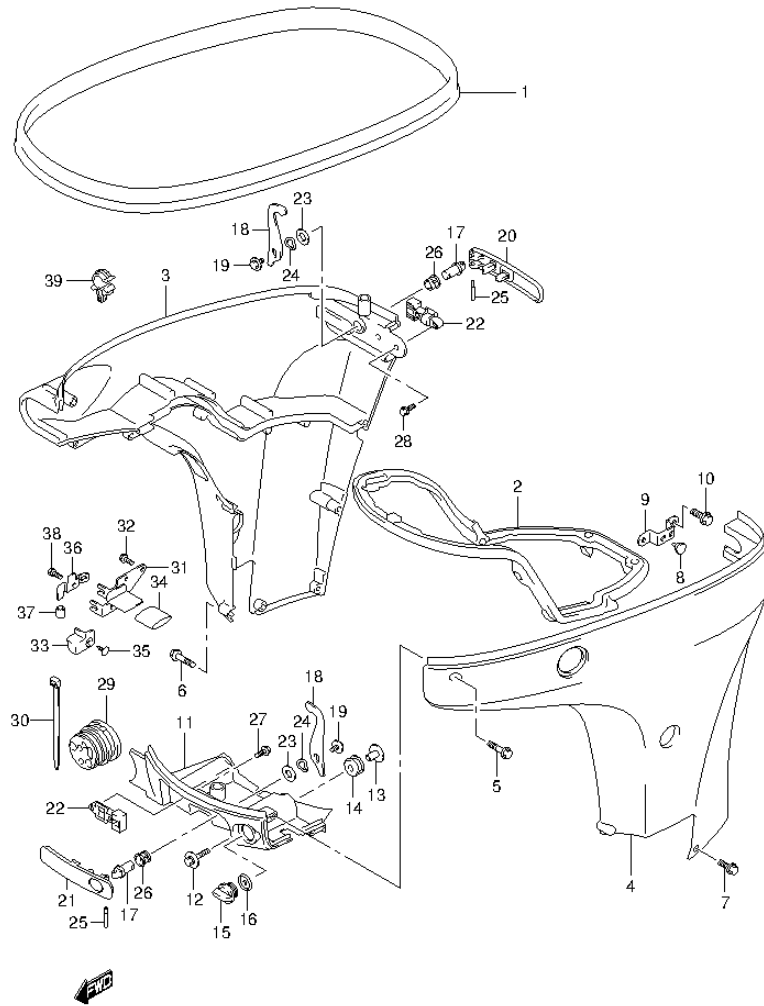


FIG.106 (1-J-9) SIDE COVER (DF70A E01)

REF NO.	PART NO.	DESCRIPTION	Q'TY	REMARKS
1	61112-99E01	RUBBER, SIDE COVER	1	
2	61134-87L00	SEAL, SIDE COVER	1	
3	61811-87L20-0EP	COVER, SIDE STBD (BLACK)	1	
4	61821-87L20-0EP	COVER, SIDE PORT (BLACK)	1	
5	09136-06148	SCREW (6X35)	8	
6	09136-06149	SCREW (6X55)	2	
7	09136-06161	SCREW (6X17)	3	
8	09321-08022	CUSHION	2	
9	61827-87L00	HOLDER, SIDE COVER	1	
10	01550-08207	BOLT	2	
11	61831-87L20-0EP	PANEL, FRONT (BLACK)	1	
12	09118-08127	BOLT (8X40)	2	
13	09169-08039	WASHER	2	
14	09320-11013	CUSHION	2	
15	17913-93J00	PLUG, WATER	1	
16	17914-93J00	GASKET, WATER PLUG	1	
17	61632-93J00	SHAFT, ENGINE COVER HOOK	2	
18	61641-87L00	HOOK, ENGINE COVER	2	
19	09116-06127	BOLT (6X12)	2	
20	61633-87L00	LEVER, HOOK REAR	1	
21	61645-87L00	LEVER, HOOK FRONT	1	
22	61673-93J11	LATCH, HOOK LEVER	2	
23	09160-13014	WASHER (13.2X25X1)	2	
24	09164-14008	WASHER	2	
25	09202-04022	PIN	2	
26	09306-13007	BUSH	2	
27	01550-05107	BOLT	2	
28	01550-05167	BOLT	2	
29	61124-87L00	GROMMET, REMOCON CABLE	1	
30	09407-25402	CLAMP (L:248)	1	
31	67341-87L00	HOLDER, REMOCON CABLE	1	
32	01550-06167	BOLT	2	
33	67345-87L00	PROTECTOR	1	
34	67346-87L00	PROTECTOR, HOLDER	1	

FIG.106

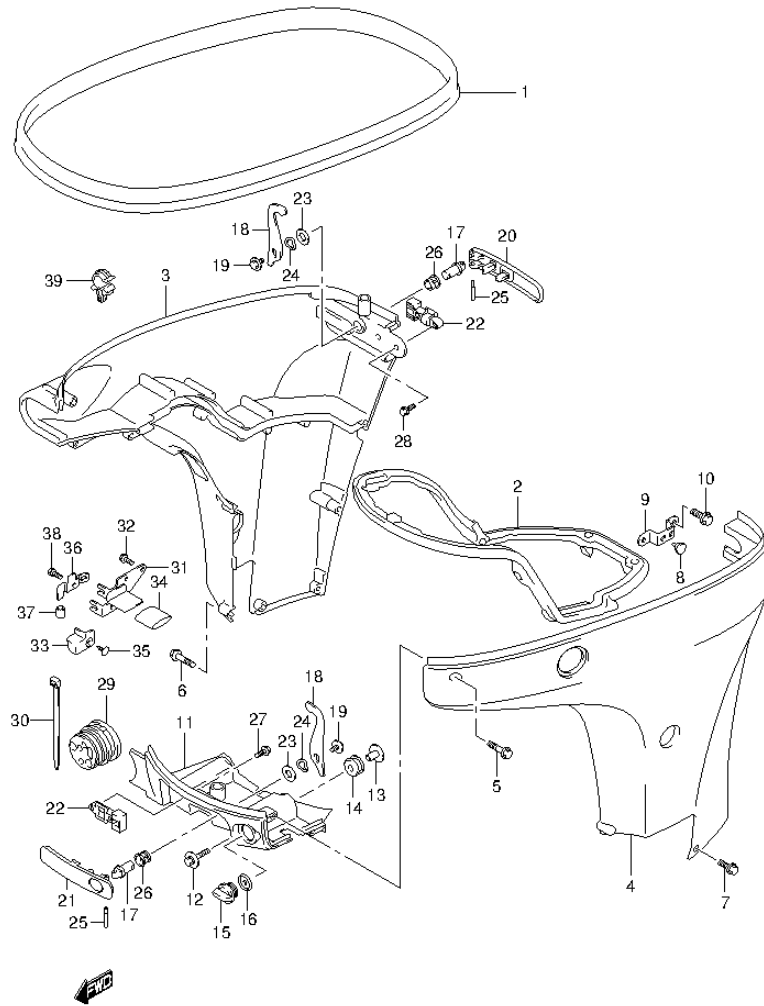


FIG.106 (1-J-10) SIDE COVER (DF70A E01)

REF NO.	PART NO.	DESCRIPTION	Q'TY	REMARKS
35	09409-10304-5ES	CLIP (BLACK)	1	
36	67350-87L00	STOPPER, REMOCON CABLE	1	
37	09352-70103-600	.HOSE (7X10.2X600)	2	L:600->14
38	01570-06127	BOLT	1	
39	09403-11320	CLAMP	1	

FIG.107

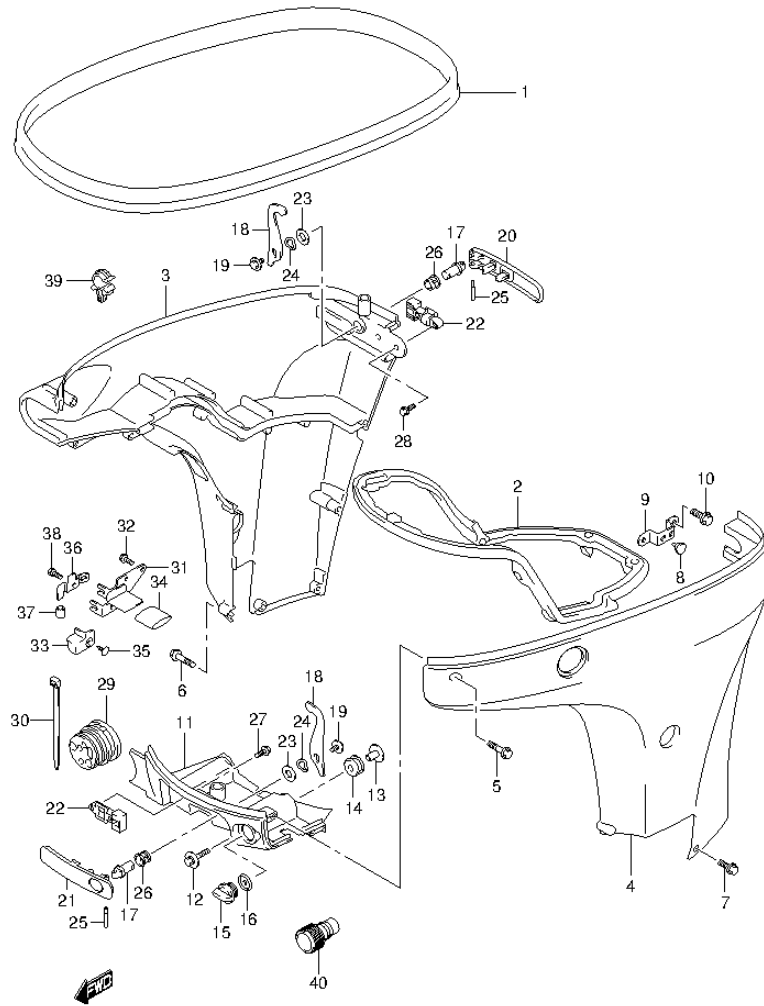


FIG.107 (1-J-11) SIDE COVER (DF70A E40)

REF NO.	PART NO.	DESCRIPTION	Q'TY	REMARKS
1	61112-99E01	RUBBER, SIDE COVER	1	
2	61134-87L00	SEAL, SIDE COVER	1	
3	61811-87L20-0EP	COVER, SIDE STBD (BLACK)	1	
4	61821-87L20-0EP	COVER, SIDE PORT (BLACK)	1	
5	09136-06148	SCREW (6X35)	8	
6	09136-06149	SCREW (6X55)	2	
7	09136-06161	SCREW (6X17)	3	
8	09321-08022	CUSHION	2	
9	61827-87L00	HOLDER, SIDE COVER	1	
10	01550-08207	BOLT	2	
11	61831-87L20-0EP	PANEL, FRONT (BLACK)	1	
12	09118-08127	BOLT (8X40)	2	
13	09169-08039	WASHER	2	
14	09320-11013	CUSHION	2	
15	17913-93J00	PLUG, WATER	1	
16	17914-93J00	GASKET, WATER PLUG	1	
17	61632-93J00	SHAFT, ENGINE COVER HOOK	2	
18	61641-87L00	HOOK, ENGINE COVER	2	
19	09116-06127	BOLT (6X12)	2	
20	61633-87L00	LEVER, HOOK REAR	1	
21	61645-87L00	LEVER, HOOK FRONT	1	
22	61673-93J11	LATCH, HOOK LEVER	2	
23	09160-13014	WASHER (13.2X25X1)	2	
24	09164-14008	WASHER	2	
25	09202-04022	PIN	2	
26	09306-13007	BUSH	2	
27	01550-05107	BOLT	2	
28	01550-05167	BOLT	2	
29	61124-87L00	GROMMET, REMOCON CABLE	1	
30	09407-25402	CLAMP (L:248)	1	
31	67341-87L00	HOLDER, REMOCON CABLE	1	
32	01550-06167	BOLT	2	
33	67345-87L00	PROTECTOR	1	
34	67346-87L00	PROTECTOR, HOLDER	1	

FIG.107

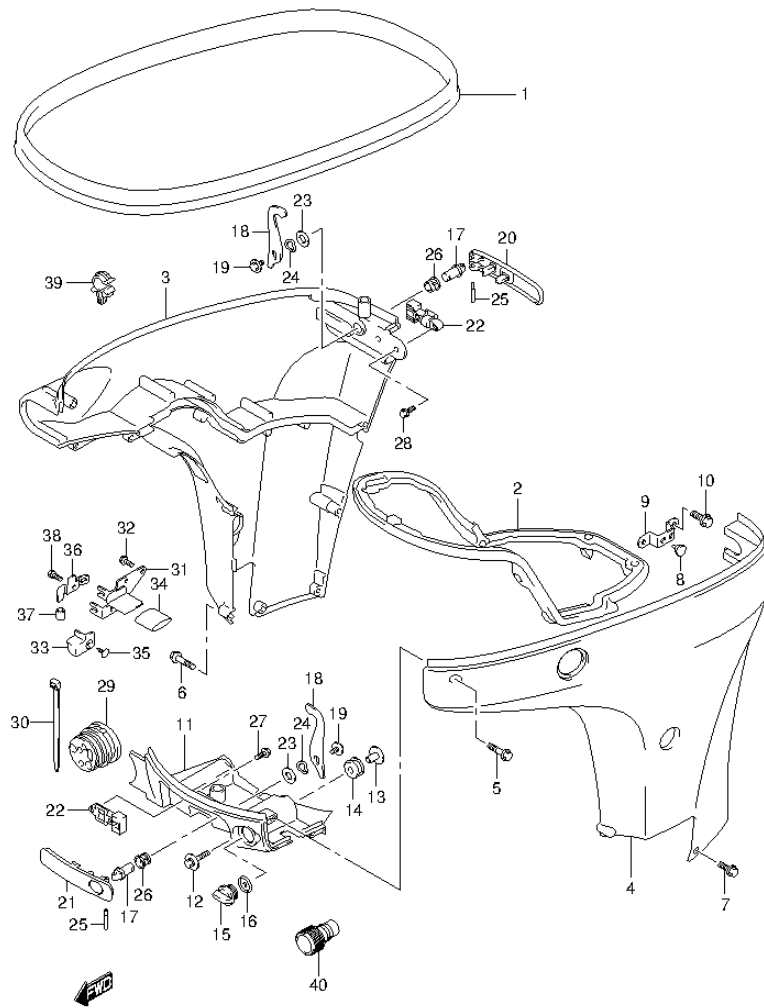


FIG.107 (1-J-12) SIDE COVER (DF70A E40)

REF NO.	PART NO.	DESCRIPTION	Q'TY	REMARKS
35	09409-10304-5ES	CLIP (BLACK)	1	
36	67350-87L00	STOPPER, REMOCON CABLE	1	
37	09352-70103-600	.HOSE (7X10.2X600)	2	L:600->14
38	01570-06127	BOLT	1	
39	09403-11320	CLAMP	1	
40	17917-87L00	CONNECTOR, FLUSH WATER	1	

FIG.108

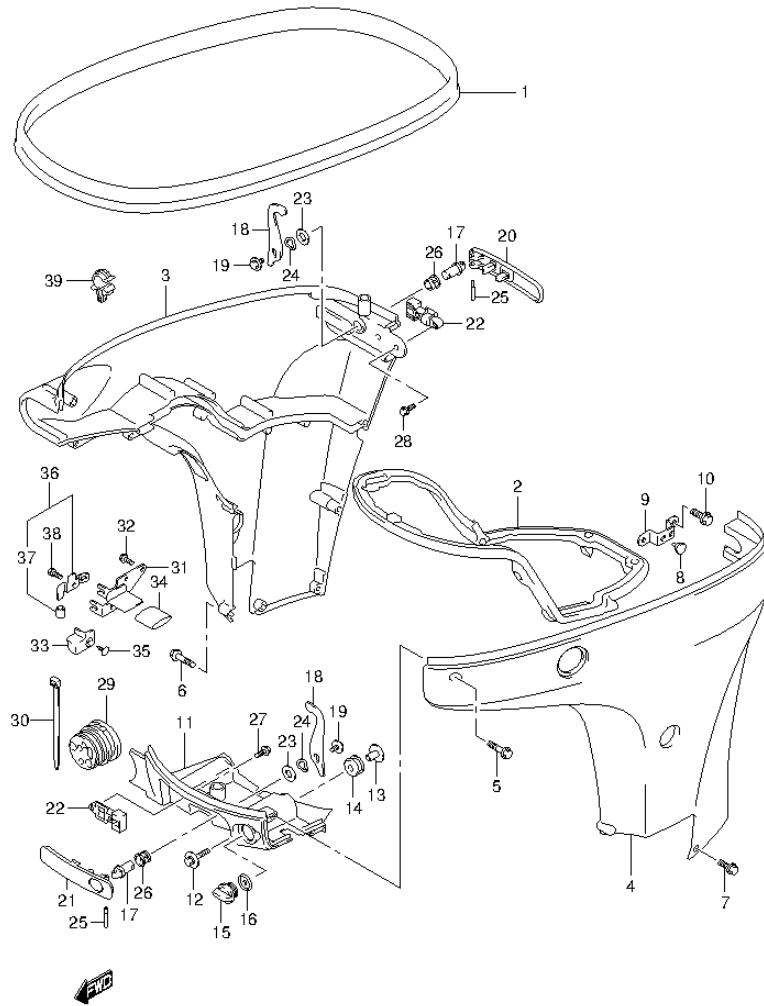


FIG.108 (1-J-13) SIDE COVER (DF70ATH E01)

REF NO.	PART NO.	DESCRIPTION	Q'TY	REMARKS
1	61112-99E01	RUBBER, SIDE COVER	1	
2	61134-87L00	SEAL, SIDE COVER	1	
3	61811-87L20-0EP	COVER, SIDE STBD (BLACK)	1	
4	61821-87L20-0EP	COVER, SIDE PORT (BLACK)	1	
5	09136-06148	SCREW (6X35)	8	
6	09136-06149	SCREW (6X55)	2	
7	09136-06161	SCREW (6X17)	3	
8	09321-08022	CUSHION	2	
9	61827-87L00	HOLDER, SIDE COVER	1	
10	01550-08207	BOLT	2	
11	61831-87L20-0EP	PANEL, FRONT (BLACK)	1	
12	09118-08127	BOLT (8X40)	2	
13	09169-08039	WASHER	2	
14	09320-11013	CUSHION	2	
15	17913-93J00	PLUG, WATER	1	
16	17914-93J00	GASKET, WATER PLUG	1	
17	61632-93J00	SHAFT, ENGINE COVER HOOK	2	
18	61641-87L00	HOOK, ENGINE COVER	2	
19	09116-06127	BOLT (6X12)	2	
20	61633-87L00	LEVER, HOOK REAR	1	
21	61645-87L00	LEVER, HOOK FRONT	1	
22	61673-93J11	LATCH, HOOK LEVER	2	
23	09160-13014	WASHER (13.2X25X1)	2	
24	09164-14008	WASHER	2	
25	09202-04022	PIN	2	
26	09306-13007	BUSH	2	
27	01550-05107	BOLT	2	
28	01550-05167	BOLT	2	
29	61124-87L00	GROMMET, REMOCON CABLE	1	
30	09407-25402	CLAMP (L:248)	1	
31	67341-87L00	HOLDER, REMOCON CABLE	1	
32	01550-06167	BOLT	2	
33	67345-87L00	PROTECTOR	1	
34	67346-87L00	PROTECTOR, HOLDER	1	

FIG.108

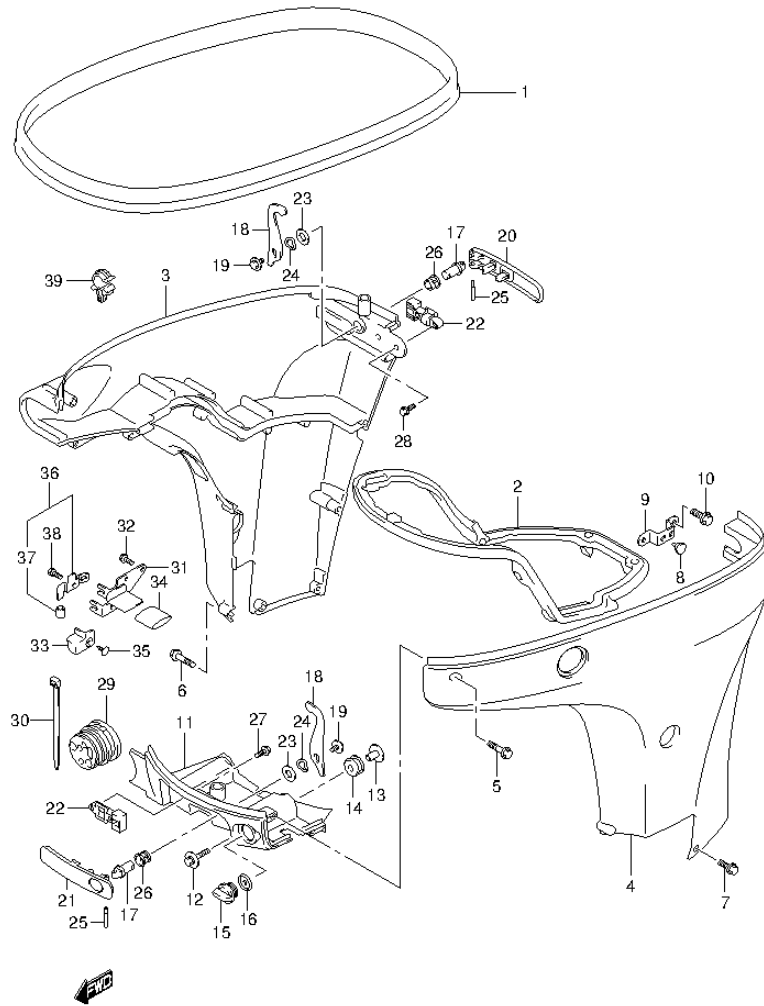


FIG.108 (1-J-14) SIDE COVER (DF70ATH E01)

REF NO.	PART NO.	DESCRIPTION	Q'TY	REMARKS
35	09409-10304-5ES	CLIP (BLACK)	1	
36	67350-87L00	STOPPER, REMOCON CABLE	1	
37	09352-70103-600	.HOSE (7X10.2X600)	2	L:600->14
38	01570-06127	BOLT	1	
39	09403-11320	CLAMP	1	

FIG.109

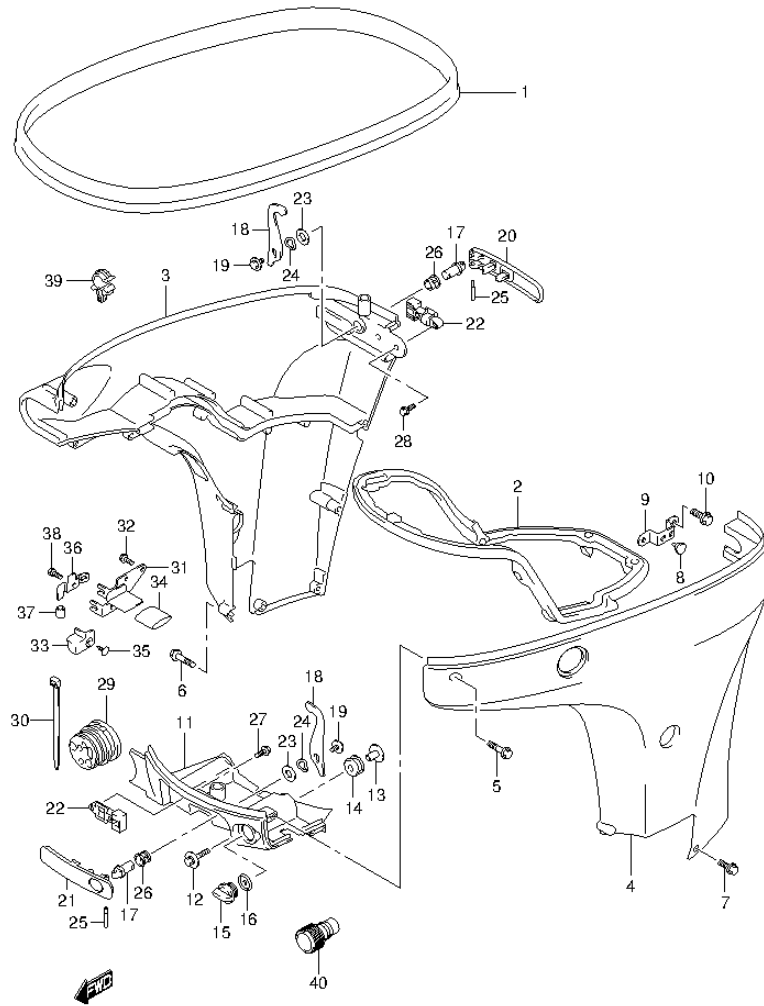


FIG.109 (1-J-15) SIDE COVER (DF70ATH E40)

REF NO.	PART NO.	DESCRIPTION	Q'TY	REMARKS
1	61112-99E01	RUBBER, SIDE COVER	1	
2	61134-87L00	SEAL, SIDE COVER	1	
3	61811-87L20-0EP	COVER, SIDE STBD (BLACK)	1	
4	61821-87L20-0EP	COVER, SIDE PORT (BLACK)	1	
5	09136-06148	SCREW (6X35)	8	
6	09136-06149	SCREW (6X55)	2	
7	09136-06161	SCREW (6X17)	3	
8	09321-08022	CUSHION	2	
9	61827-87L00	HOLDER, SIDE COVER	1	
10	01550-08207	BOLT	2	
11	61831-87L20-0EP	PANEL, FRONT (BLACK)	1	
12	09118-08127	BOLT (8X40)	2	
13	09169-08039	WASHER	2	
14	09320-11013	CUSHION	2	
15	17913-93J00	PLUG, WATER	1	
16	17914-93J00	GASKET, WATER PLUG	1	
17	61632-93J00	SHAFT, ENGINE COVER HOOK	2	
18	61641-87L00	HOOK, ENGINE COVER	2	
19	09116-06127	BOLT (6X12)	2	
20	61633-87L00	LEVER, HOOK REAR	1	
21	61645-87L00	LEVER, HOOK FRONT	1	
22	61673-93J11	LATCH, HOOK LEVER	2	
23	09160-13014	WASHER (13.2X25X1)	2	
24	09164-14008	WASHER	2	
25	09202-04022	PIN	2	
26	09306-13007	BUSH	2	
27	01550-05107	BOLT	2	
28	01550-05167	BOLT	2	
29	61124-87L00	GROMMET, REMOCON CABLE	1	
30	09407-25402	CLAMP (L:248)	1	
31	67341-87L00	HOLDER, REMOCON CABLE	1	
32	01550-06167	BOLT	2	
33	67345-87L00	PROTECTOR	1	
34	67346-87L00	PROTECTOR, HOLDER	1	

FIG.109

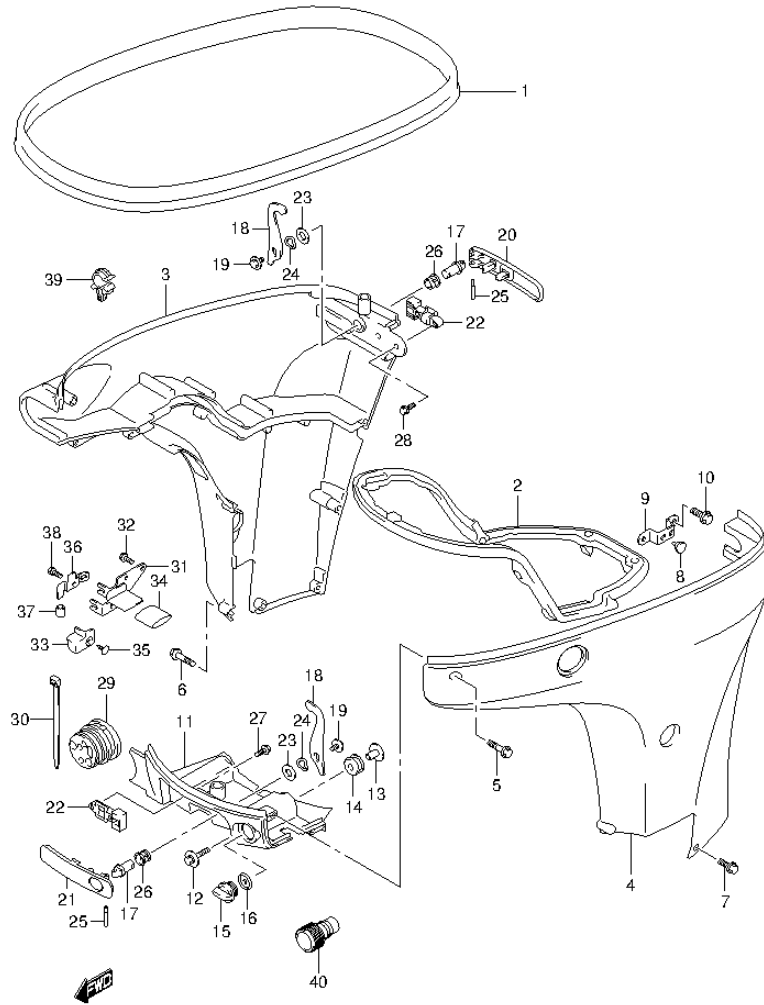


FIG.109 (1-K-2) SIDE COVER (DF70ATH E40)

REF NO.	PART NO.	DESCRIPTION	Q'TY	REMARKS
35	09409-10304-5ES	CLIP (BLACK)	1	
36	67350-87L00	STOPPER, REMOCON CABLE	1	
37	09352-70103-600	.HOSE (7X10.2X600)	2	L:600->14
38	01570-06127	BOLT	1	
39	09403-11320	CLAMP	1	
40	17917-87L00	CONNECTOR, FLUSH WATER	1	

FIG.110

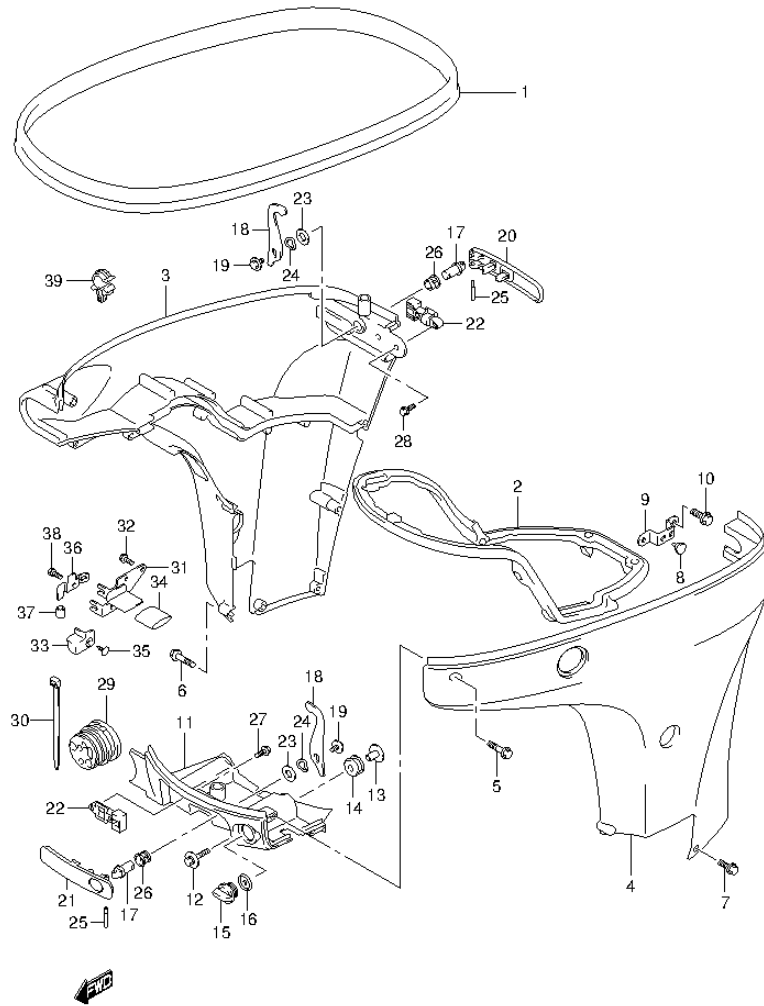


FIG.110 (1-K-3) SIDE COVER (DF80A E01)

REF NO.	PART NO.	DESCRIPTION	Q'TY	REMARKS
1	61112-99E01	RUBBER, SIDE COVER	1	
2	61134-87L00	SEAL, SIDE COVER	1	
3	61811-87L20-0EP	COVER, SIDE STBD (BLACK)	1	
4	61821-87L20-0EP	COVER, SIDE PORT (BLACK)	1	
5	09136-06148	SCREW (6X35)	8	
6	09136-06149	SCREW (6X55)	2	
7	09136-06161	SCREW (6X17)	3	
8	09321-08022	CUSHION	2	
9	61827-87L00	HOLDER, SIDE COVER	1	
10	01550-08207	BOLT	2	
11	61831-87L20-0EP	PANEL, FRONT (BLACK)	1	
12	09118-08127	BOLT (8X40)	2	
13	09169-08039	WASHER	2	
14	09320-11013	CUSHION	2	
15	17913-93J00	PLUG, WATER	1	
16	17914-93J00	GASKET, WATER PLUG	1	
17	61632-93J00	SHAFT, ENGINE COVER HOOK	2	
18	61641-87L00	HOOK, ENGINE COVER	2	
19	09116-06127	BOLT (6X12)	2	
20	61633-87L00	LEVER, HOOK REAR	1	
21	61645-87L00	LEVER, HOOK FRONT	1	
22	61673-93J11	LATCH, HOOK LEVER	2	
23	09160-13014	WASHER (13.2X25X1)	2	
24	09164-14008	WASHER	2	
25	09202-04022	PIN	2	
26	09306-13007	BUSH	2	
27	01550-05107	BOLT	2	
28	01550-05167	BOLT	2	
29	61124-87L00	GROMMET, REMOCON CABLE	1	
30	09407-25402	CLAMP (L:248)	1	
31	67341-87L00	HOLDER, REMOCON CABLE	1	
32	01550-06167	BOLT	2	
33	67345-87L00	PROTECTOR	1	
34	67346-87L00	PROTECTOR, HOLDER	1	

FIG.110

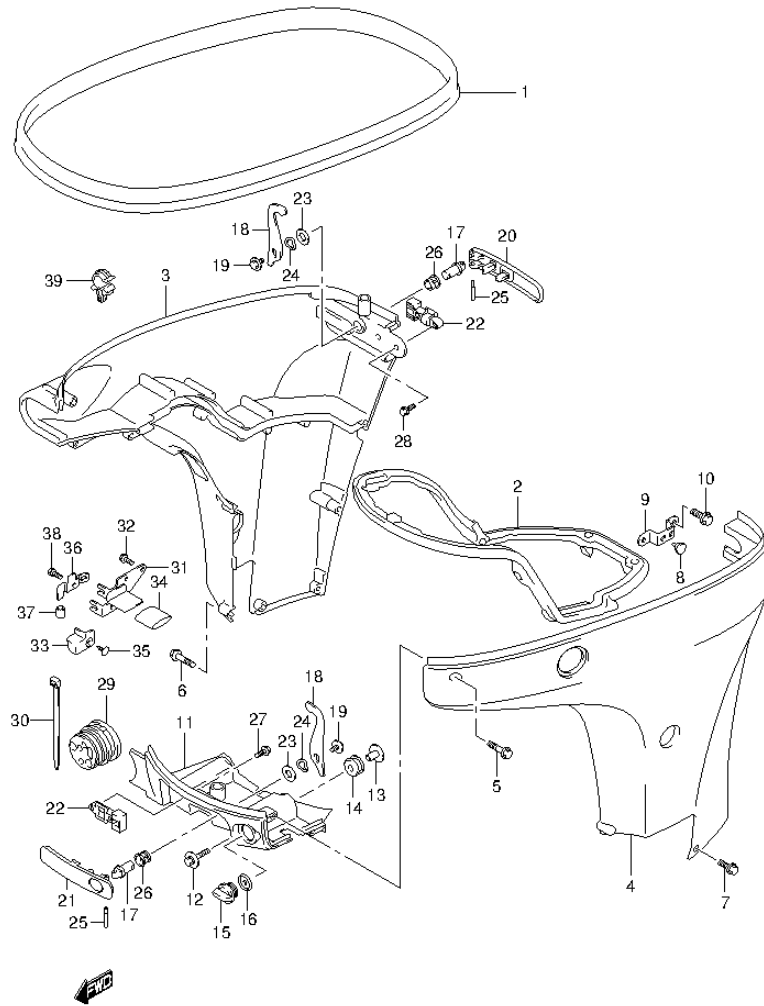


FIG.110 (1-K-4) SIDE COVER (DF80A E01)

REF NO.	PART NO.	DESCRIPTION	Q'TY	REMARKS
35	09409-10304-5ES	CLIP (BLACK)	1	
36	67350-87L00	STOPPER, REMOCON CABLE	1	
37	09352-70103-600	.HOSE (7X10.2X600)	2	L:600->14
38	01570-06127	BOLT	1	
39	09403-11320	CLAMP	1	

FIG.111

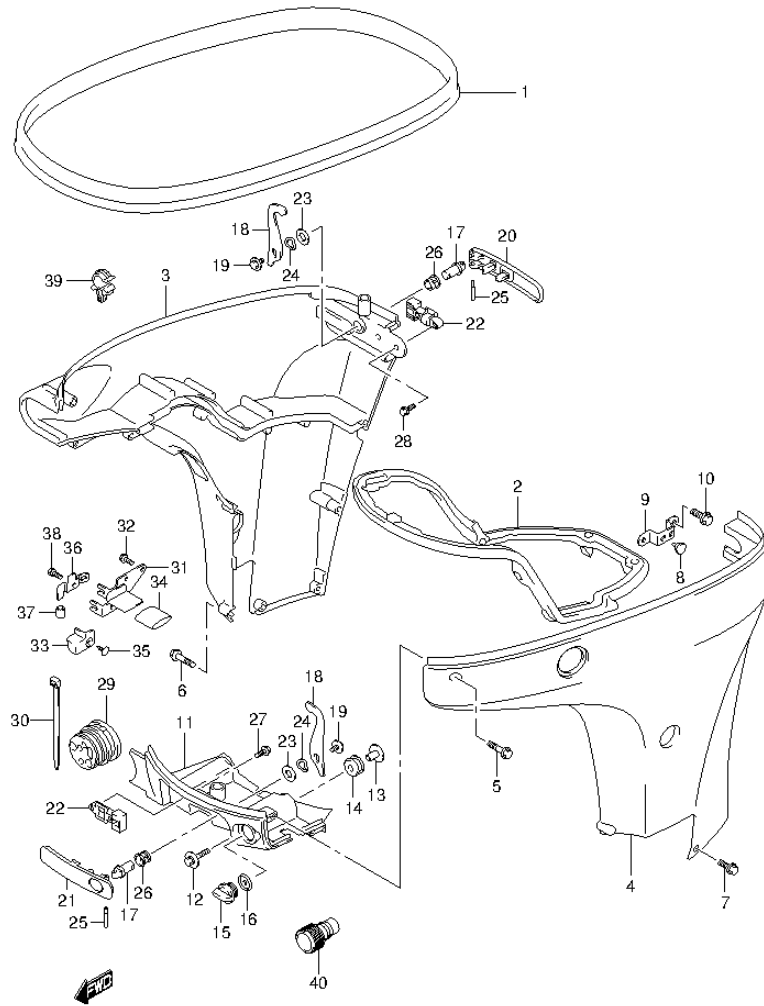


FIG.111 (1-K-5) SIDE COVER (DF80A E40)

REF NO.	PART NO.	DESCRIPTION	Q'TY	REMARKS
1	61112-99E01	RUBBER, SIDE COVER	1	
2	61134-87L00	SEAL, SIDE COVER	1	
3	61811-87L20-0EP	COVER, SIDE STBD (BLACK)	1	
4	61821-87L20-0EP	COVER, SIDE PORT (BLACK)	1	
5	09136-06148	SCREW (6X35)	8	
6	09136-06149	SCREW (6X55)	2	
7	09136-06161	SCREW (6X17)	3	
8	09321-08022	CUSHION	2	
9	61827-87L00	HOLDER, SIDE COVER	1	
10	01550-08207	BOLT	2	
11	61831-87L20-0EP	PANEL, FRONT (BLACK)	1	
12	09118-08127	BOLT (8X40)	2	
13	09169-08039	WASHER	2	
14	09320-11013	CUSHION	2	
15	17913-93J00	PLUG, WATER	1	
16	17914-93J00	GASKET, WATER PLUG	1	
17	61632-93J00	SHAFT, ENGINE COVER HOOK	2	
18	61641-87L00	HOOK, ENGINE COVER	2	
19	09116-06127	BOLT (6X12)	2	
20	61633-87L00	LEVER, HOOK REAR	1	
21	61645-87L00	LEVER, HOOK FRONT	1	
22	61673-93J11	LATCH, HOOK LEVER	2	
23	09160-13014	WASHER (13.2X25X1)	2	
24	09164-14008	WASHER	2	
25	09202-04022	PIN	2	
26	09306-13007	BUSH	2	
27	01550-05107	BOLT	2	
28	01550-05167	BOLT	2	
29	61124-87L00	GROMMET, REMOCON CABLE	1	
30	09407-25402	CLAMP (L:248)	1	
31	67341-87L00	HOLDER, REMOCON CABLE	1	
32	01550-06167	BOLT	2	
33	67345-87L00	PROTECTOR	1	
34	67346-87L00	PROTECTOR, HOLDER	1	

FIG.111

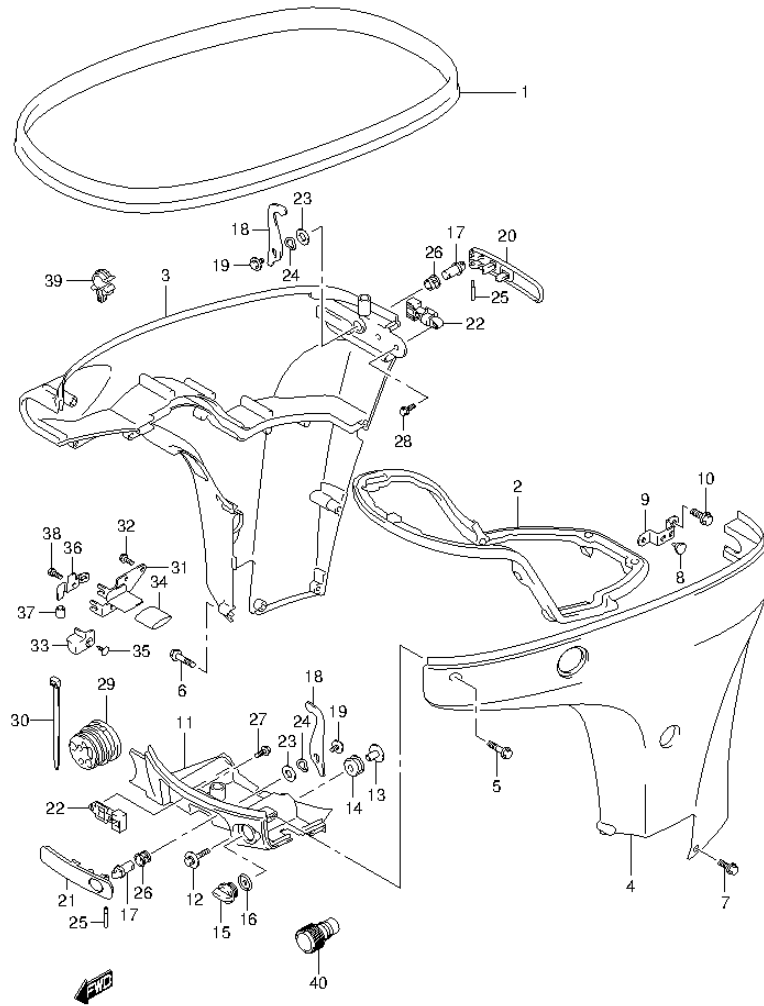


FIG.111 (1-K-6) SIDE COVER (DF80A E40)

REF NO.	PART NO.	DESCRIPTION	Q'TY	REMARKS
35	09409-10304-5ES	CLIP (BLACK)	1	
36	67350-87L00	STOPPER, REMOCON CABLE	1	
37	09352-70103-600	.HOSE (7X10.2X600)	2	L:600->14
38	01570-06127	BOLT	1	
39	09403-11320	CLAMP	1	
40	17917-87L00	CONNECTOR, FLUSH WATER	1	

FIG.112

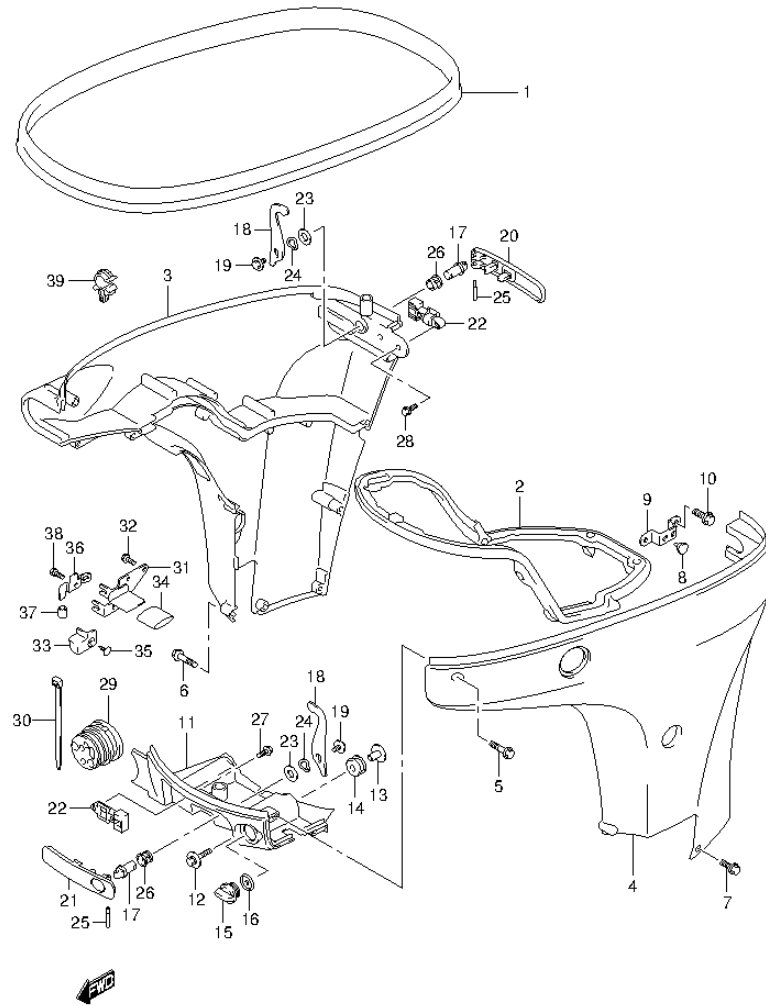
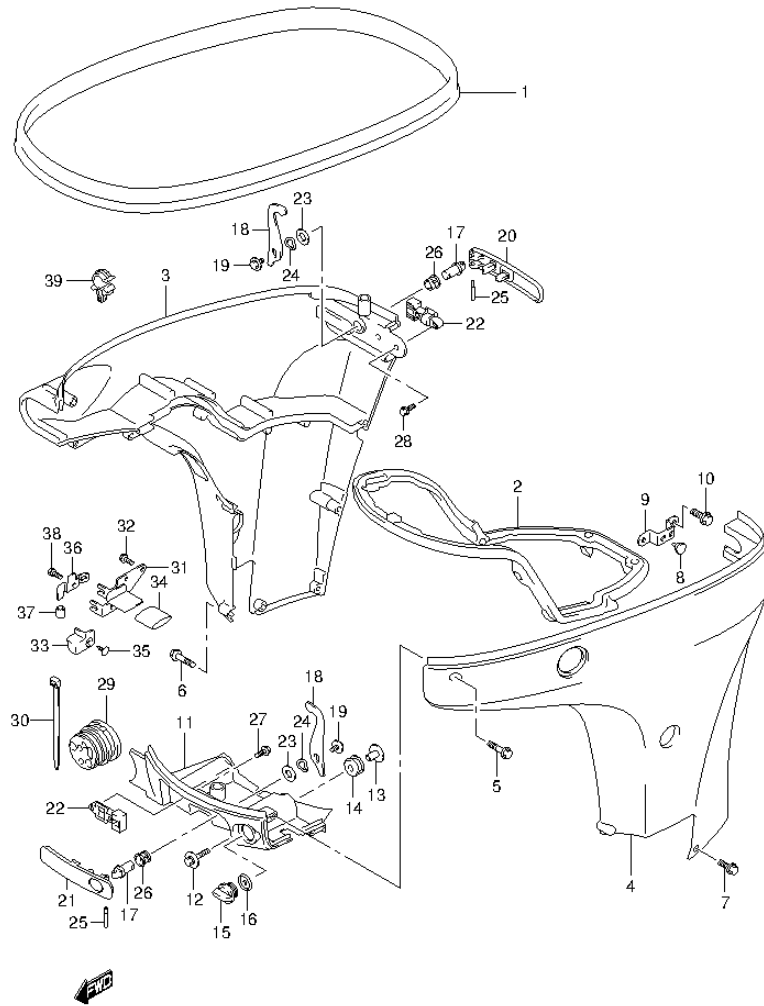


FIG.112 (1-K-7) SIDE COVER (DF90A E01)

REF NO.	PART NO.	DESCRIPTION	Q'TY	REMARKS
1	61112-99E01	RUBBER, SIDE COVER	1	
2	61134-87L00	SEAL, SIDE COVER	1	
3	61811-87L20-0EP	COVER, SIDE STBD (BLACK)	1	
4	61821-87L20-0EP	COVER, SIDE PORT (BLACK)	1	
5	09136-06148	SCREW (6X35)	8	
6	09136-06149	SCREW (6X55)	2	
7	09136-06161	SCREW (6X17)	3	
8	09321-08022	CUSHION	2	
9	61827-87L00	HOLDER, SIDE COVER	1	
10	01550-08207	BOLT	2	
11	61831-87L20-0EP	PANEL, FRONT (BLACK)	1	
12	09118-08127	BOLT (8X40)	2	
13	09169-08039	WASHER	2	
14	09320-11013	CUSHION	2	
15	17913-93J00	PLUG, WATER	1	
16	17914-93J00	GASKET, WATER PLUG	1	
17	61632-93J00	SHAFT, ENGINE COVER HOOK	2	
18	61641-87L00	HOOK, ENGINE COVER	2	
19	09116-06127	BOLT (6X12)	2	
20	61633-87L00	LEVER, HOOK REAR	1	
21	61645-87L00	LEVER, HOOK FRONT	1	
22	61673-93J11	LATCH, HOOK LEVER	2	
23	09160-13014	WASHER (13.2X25X1)	2	
24	09164-14008	WASHER	2	
25	09202-04022	PIN	2	
26	09306-13007	BUSH	2	
27	01550-05107	BOLT	2	
28	01550-05167	BOLT	2	
29	61124-87L00	GROMMET, REMOCON CABLE	1	
30	09407-25402	CLAMP (L:248)	1	
31	67341-87L00	HOLDER, REMOCON CABLE	1	
32	01550-06167	BOLT	2	
33	67345-87L00	PROTECTOR	1	
34	67346-87L00	PROTECTOR, HOLDER	1	

FIG.112



DF90A_E01_014_112
SIDE COVER

FIG.112 (1-K-8) SIDE COVER (DF90A E01)

REF NO.	PART NO.	DESCRIPTION	Q'TY	REMARKS
35	09409-10304-5ES	CLIP (BLACK)	1	
36	67350-87L00	STOPPER, REMOCON CABLE	1	
37	09352-70103-600	.HOSE (7X10.2X600)	2	L:600->14
38	01570-06127	BOLT	1	
39	09403-11320	CLAMP	1	

DF90A_E01_014

FIG.113

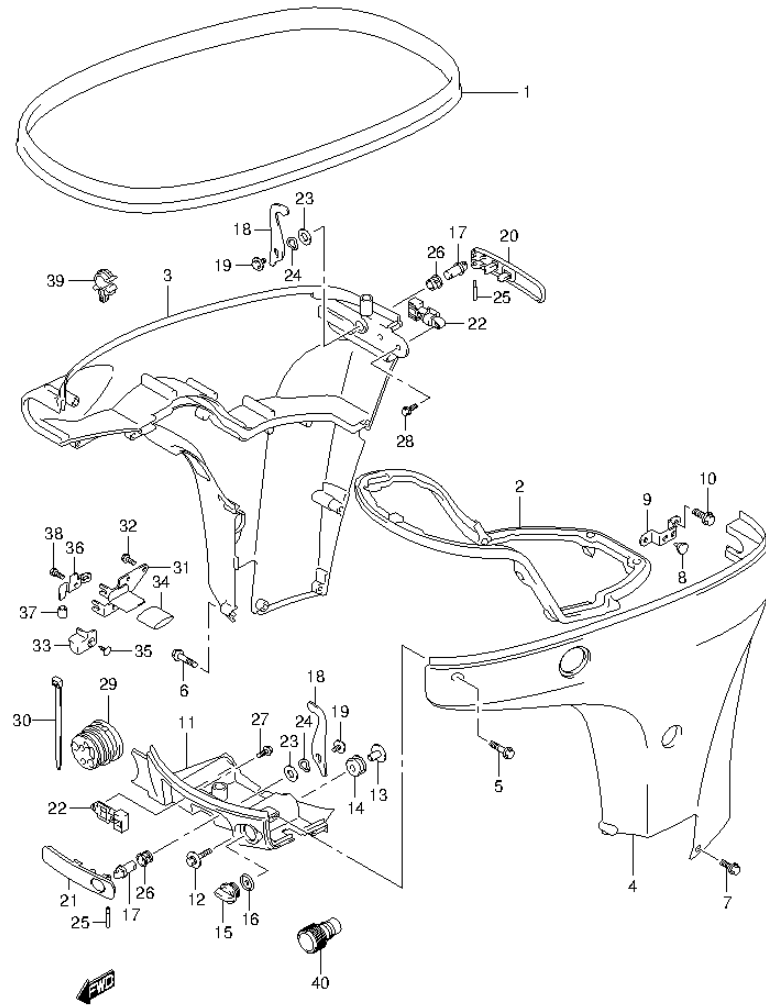


FIG.113 (1-K-9) SIDE COVER (DF90A E40)

REF NO.	PART NO.	DESCRIPTION	Q'TY	REMARKS
1	61112-99E01	RUBBER, SIDE COVER	1	
2	61134-87L00	SEAL, SIDE COVER	1	
3	61811-87L20-0EP	COVER, SIDE STBD (BLACK)	1	
4	61821-87L20-0EP	COVER, SIDE PORT (BLACK)	1	
5	09136-06148	SCREW (6X35)	8	
6	09136-06149	SCREW (6X55)	2	
7	09136-06161	SCREW (6X17)	3	
8	09321-08022	CUSHION	2	
9	61827-87L00	HOLDER, SIDE COVER	1	
10	01550-08207	BOLT	2	
11	61831-87L20-0EP	PANEL, FRONT (BLACK)	1	
12	09118-08127	BOLT (8X40)	2	
13	09169-08039	WASHER	2	
14	09320-11013	CUSHION	2	
15	17913-93J00	PLUG, WATER	1	
16	17914-93J00	GASKET, WATER PLUG	1	
17	61632-93J00	SHAFT, ENGINE COVER HOOK	2	
18	61641-87L00	HOOK, ENGINE COVER	2	
19	09116-06127	BOLT (6X12)	2	
20	61633-87L00	LEVER, HOOK REAR	1	
21	61645-87L00	LEVER, HOOK FRONT	1	
22	61673-93J11	LATCH, HOOK LEVER	2	
23	09160-13014	WASHER (13.2X25X1)	2	
24	09164-14008	WASHER	2	
25	09202-04022	PIN	2	
26	09306-13007	BUSH	2	
27	01550-05107	BOLT	2	
28	01550-05167	BOLT	2	
29	61124-87L00	GROMMET, REMOCON CABLE	1	
30	09407-25402	CLAMP (L:248)	1	
31	67341-87L00	HOLDER, REMOCON CABLE	1	
32	01550-06167	BOLT	2	
33	67345-87L00	PROTECTOR	1	
34	67346-87L00	PROTECTOR, HOLDER	1	

FIG.113

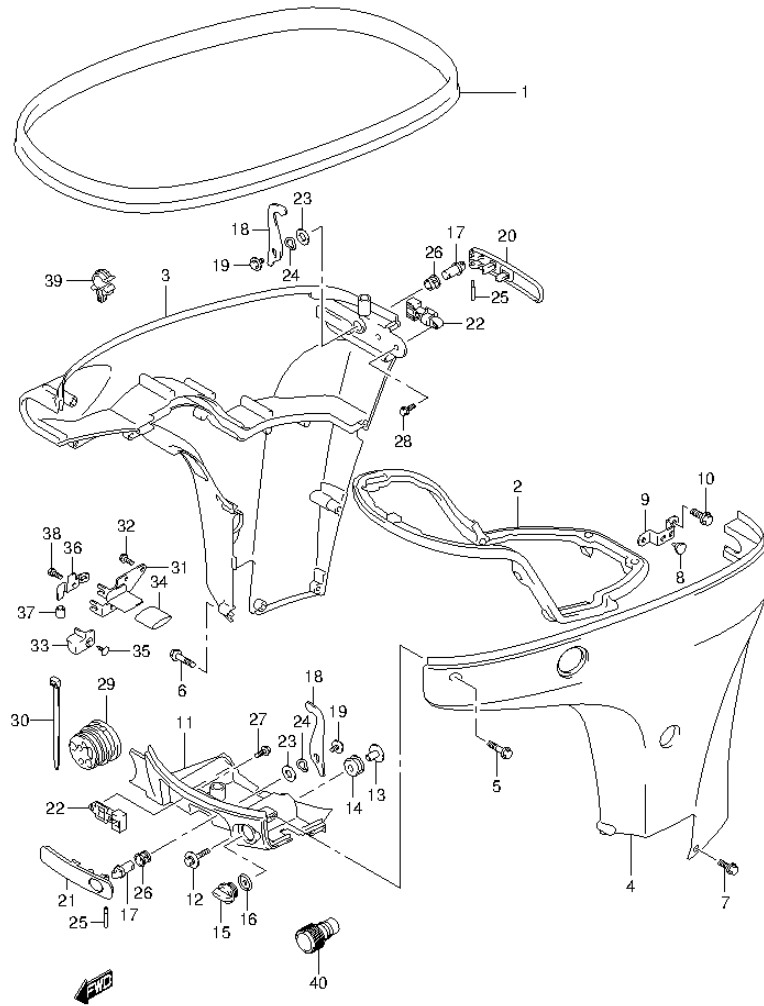


FIG.113 (1-K-10) SIDE COVER (DF90A E40)

REF NO.	PART NO.	DESCRIPTION	Q'TY	REMARKS
35	09409-10304-5ES	CLIP (BLACK)	1	
36	67350-87L00	STOPPER, REMOCON CABLE	1	
37	09352-70103-600	.HOSE (7X10.2X600)	2	L:600->14
38	01570-06127	BOLT	1	
39	09403-11320	CLAMP	1	
40	17917-87L00	CONNECTOR, FLUSH WATER	1	

FIG.114

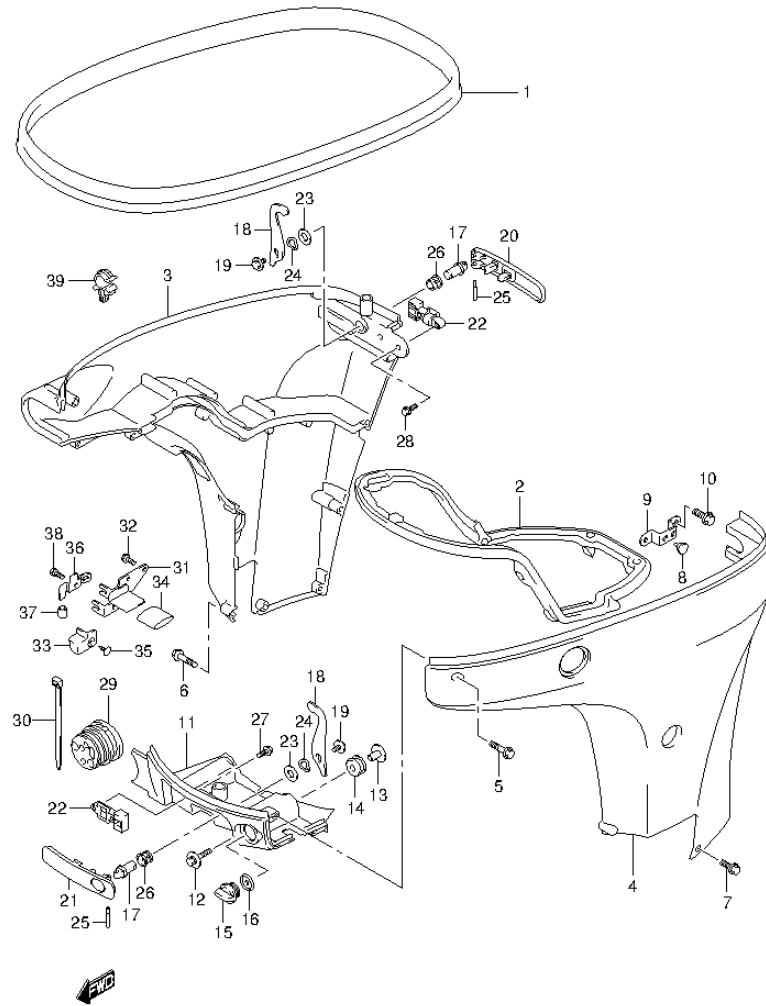


FIG.114 (1-K-11) SIDE COVER (DF90ATH E01)

REF NO.	PART NO.	DESCRIPTION	Q'TY	REMARKS
1	61112-99E01	RUBBER, SIDE COVER	1	
2	61134-87L00	SEAL, SIDE COVER	1	
3	61811-87L20-0EP	COVER, SIDE STBD (BLACK)	1	
4	61821-87L20-0EP	COVER, SIDE PORT (BLACK)	1	
5	09136-06148	SCREW (6X35)	8	
6	09136-06149	SCREW (6X55)	2	
7	09136-06161	SCREW (6X17)	3	
8	09321-08022	CUSHION	2	
9	61827-87L00	HOLDER, SIDE COVER	1	
10	01550-08207	BOLT	2	
11	61831-87L20-0EP	PANEL, FRONT (BLACK)	1	
12	09118-08127	BOLT (8X40)	2	
13	09169-08039	WASHER	2	
14	09320-11013	CUSHION	2	
15	17913-93J00	PLUG, WATER	1	
16	17914-93J00	GASKET, WATER PLUG	1	
17	61632-93J00	SHAFT, ENGINE COVER HOOK	2	
18	61641-87L00	HOOK, ENGINE COVER	2	
19	09116-06127	BOLT (6X12)	2	
20	61633-87L00	LEVER, HOOK REAR	1	
21	61645-87L00	LEVER, HOOK FRONT	1	
22	61673-93J11	LATCH, HOOK LEVER	2	
23	09160-13014	WASHER (13.2X25X1)	2	
24	09164-14008	WASHER	2	
25	09202-04022	PIN	2	
26	09306-13007	BUSH	2	
27	01550-05107	BOLT	2	
28	01550-05167	BOLT	2	
29	61124-87L00	GROMMET, REMOCON CABLE	1	
30	09407-25402	CLAMP (L:248)	1	
31	67341-87L00	HOLDER, REMOCON CABLE	1	
32	01550-06167	BOLT	2	
33	67345-87L00	PROTECTOR	1	
34	67346-87L00	PROTECTOR, HOLDER	1	

FIG.114

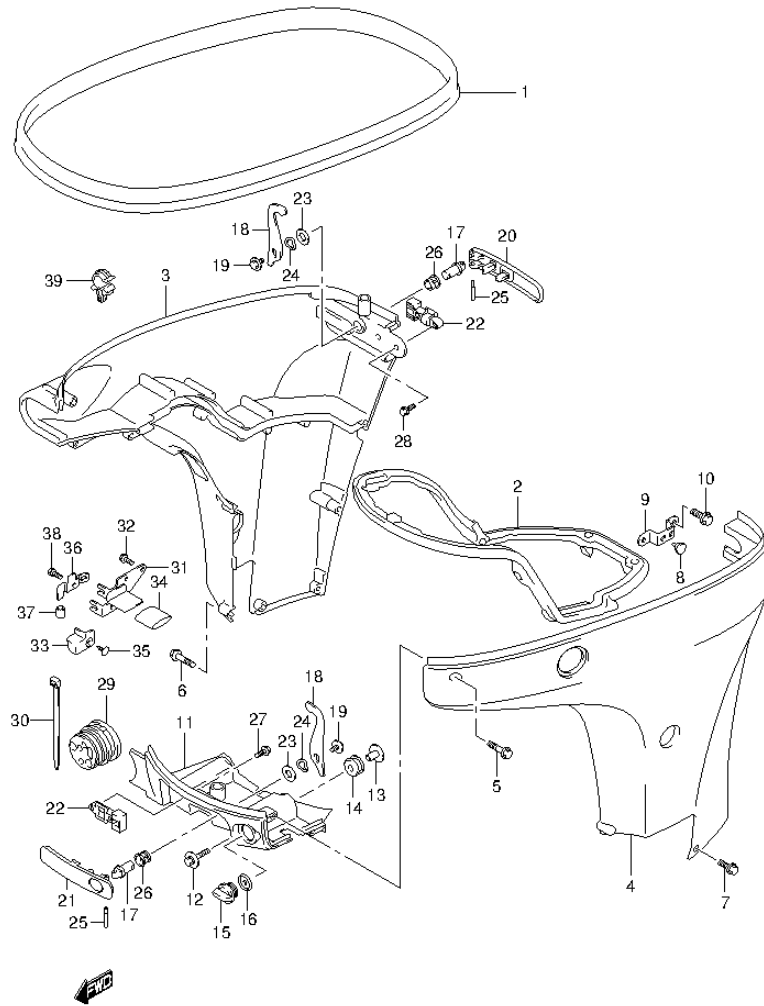


FIG.114 (1-K-12) SIDE COVER (DF90ATH E01)

REF NO.	PART NO.	DESCRIPTION	Q'TY	REMARKS
35	09409-10304-5ES	CLIP (BLACK)	1	
36	67350-87L00	STOPPER, REMOCON CABLE	1	
37	09352-70103-600	.HOSE (7X10.2X600)	2	L:600->14
38	01570-06127	BOLT	1	
39	09403-11320	CLAMP	1	

FIG.115

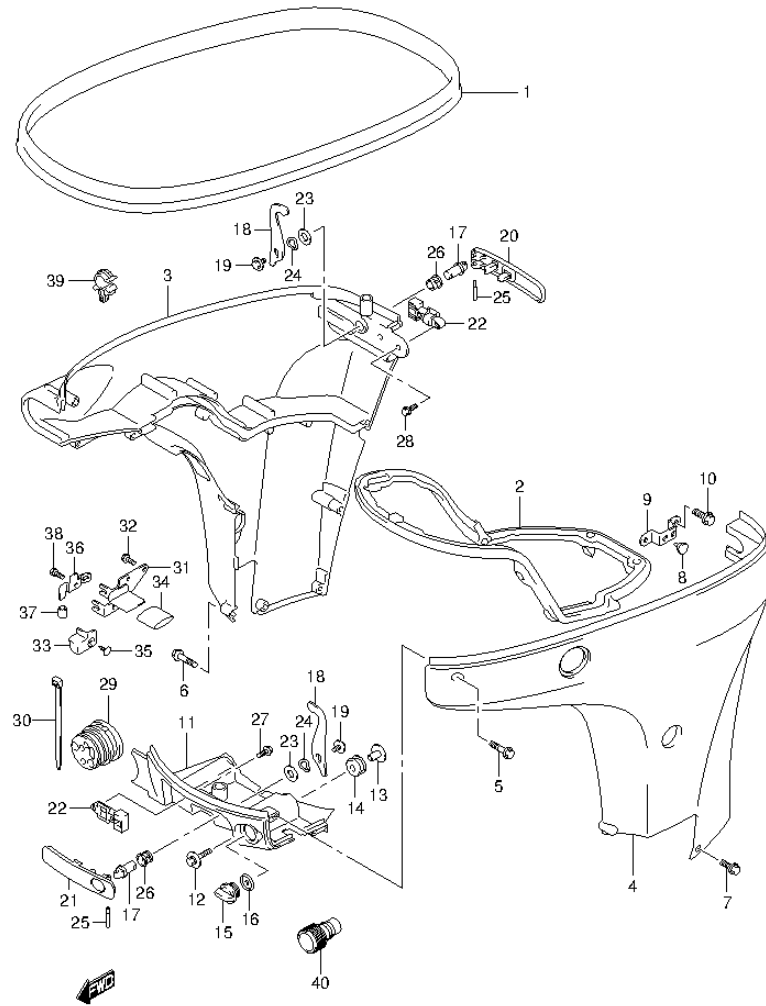


FIG.115 (1-K-13) SIDE COVER (DF90ATH E40)

REF NO.	PART NO.	DESCRIPTION	Q'TY	REMARKS
1	61112-99E01	RUBBER, SIDE COVER	1	
2	61134-87L00	SEAL, SIDE COVER	1	
3	61811-87L20-0EP	COVER, SIDE STBD (BLACK)	1	
4	61821-87L20-0EP	COVER, SIDE PORT (BLACK)	1	
5	09136-06148	SCREW (6X35)	8	
6	09136-06149	SCREW (6X55)	2	
7	09136-06161	SCREW (6X17)	3	
8	09321-08022	CUSHION	2	
9	61827-87L00	HOLDER, SIDE COVER	1	
10	01550-08207	BOLT	2	
11	61831-87L20-0EP	PANEL, FRONT (BLACK)	1	
12	09118-08127	BOLT (8X40)	2	
13	09169-08039	WASHER	2	
14	09320-11013	CUSHION	2	
15	17913-93J00	PLUG, WATER	1	
16	17914-93J00	GASKET, WATER PLUG	1	
17	61632-93J00	SHAFT, ENGINE COVER HOOK	2	
18	61641-87L00	HOOK, ENGINE COVER	2	
19	09116-06127	BOLT (6X12)	2	
20	61633-87L00	LEVER, HOOK REAR	1	
21	61645-87L00	LEVER, HOOK FRONT	1	
22	61673-93J11	LATCH, HOOK LEVER	2	
23	09160-13014	WASHER (13.2X25X1)	2	
24	09164-14008	WASHER	2	
25	09202-04022	PIN	2	
26	09306-13007	BUSH	2	
27	01550-05107	BOLT	2	
28	01550-05167	BOLT	2	
29	61124-87L00	GROMMET, REMOCON CABLE	1	
30	09407-25402	CLAMP (L:248)	1	
31	67341-87L00	HOLDER, REMOCON CABLE	1	
32	01550-06167	BOLT	2	
33	67345-87L00	PROTECTOR	1	
34	67346-87L00	PROTECTOR, HOLDER	1	

FIG.115

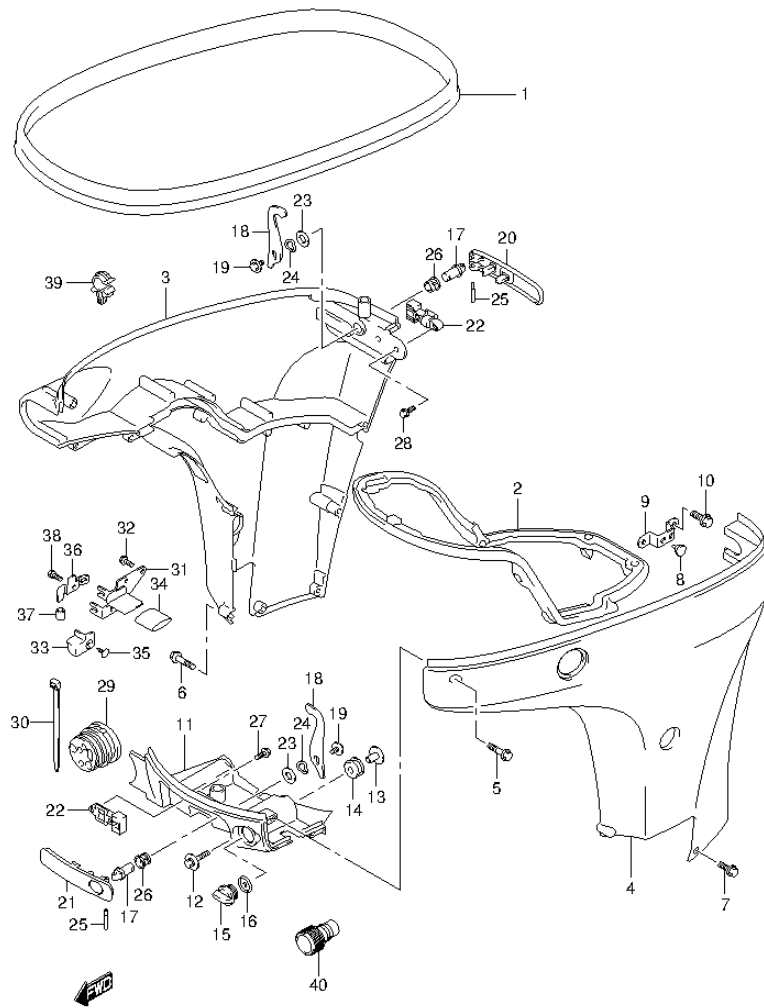


FIG.115 (1-K-14) SIDE COVER (DF90ATH E40)

REF NO.	PART NO.	DESCRIPTION	Q'TY	REMARKS
35	09409-10304-5ES	CLIP (BLACK)	1	
36	67350-87L00	STOPPER, REMOCON CABLE	1	
37	09352-70103-600	.HOSE (7X10.2X600)	2	L:600->14
38	01570-06127	BOLT	1	
39	09403-11320	CLAMP	1	
40	17917-87L00	CONNECTOR, FLUSH WATER	1	

FIG.116

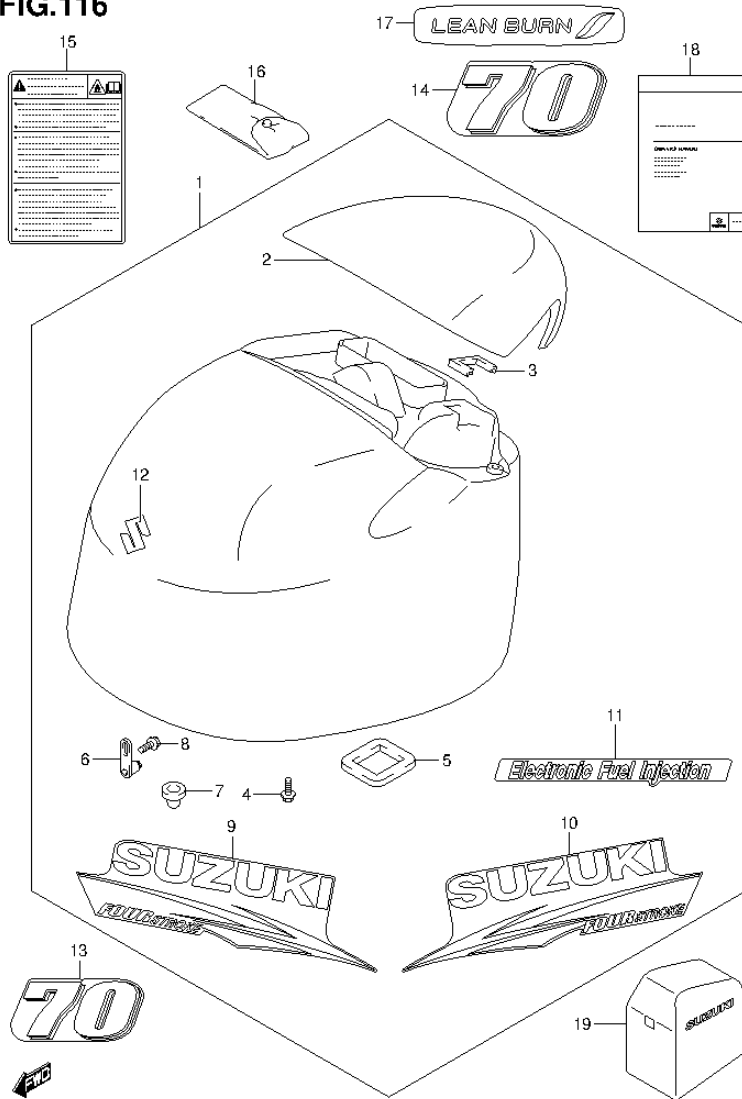


FIG.116 (1-K-15) ENGINE COVER (DF70A E01)

REF NO.	PART NO.	DESCRIPTION	Q'TY	REMARKS
1	61400-87Y80-OEP	COVER SET, ENGINE (BLACK)	1	
2	61431-87L21-OEP	.HANDLE, TILT UP (BLACK)	1	
3	61439-87L00	.SEAL, TILT UP HANDLE	1	
4	01550-06167	.BOLT	4	
5	61476-87L00	.SEAL, AIR VENT	1	
6	61610-93J00	.FASTENER	2	
7	09329-10022	.CUSHION	2	
8	01550-06127	.BOLT	2	
9	61443-87L20	.STRIPE, ENGINE COVER STBD	1	
10	61453-87L20	.STRIPE, ENGINE COVER PORT	1	
11	61446-87L12	.DECAL, EFI	1	
12	68111-18G20	.EMBLEM (S)	1	
13	61422-87L80	MARK, EMBLEM FRONT (70)	1	
14	61435-87L80	MARK, EMBLEM REAR (70)	1	
15	61458-99E70	LABEL, ENGINE COVER	1	
16	09800-81840	TOOL SET	1	
17	61471-98J00	DECAL, LEANBURN	1	
18-1	99011-87L20-054	MANUAL, OWNER'S	1	
18-2	99011-87L20-059	MANUAL, OWNER'S	1	
19	68110-87L00	COVER, WEATHER	1	OPT

FIG.117

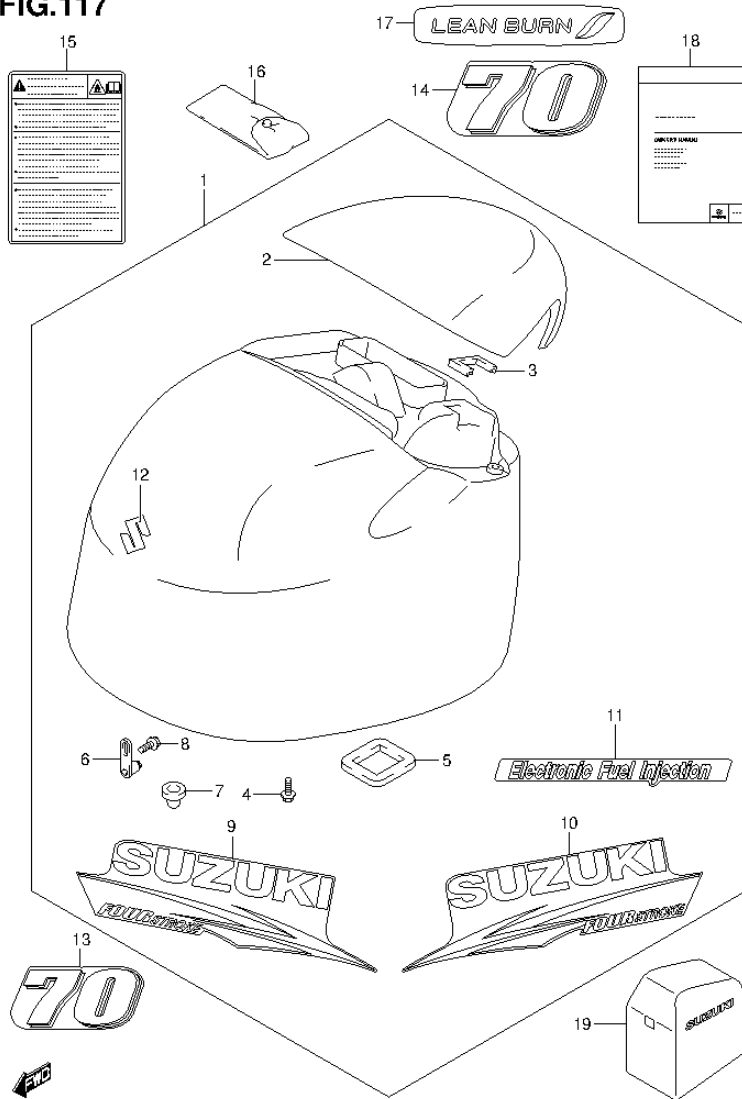


FIG.117 (1-L-2) ENGINE COVER (DF70A E40)

REF NO.	PART NO.	DESCRIPTION	Q'TY	REMARKS
1	61400-87Y80-0EP	COVER SET, ENGINE (BLACK)	1	
2	61431-87L21-0EP	.HANDLE, TILT UP (BLACK)	1	
3	61439-87L00	.SEAL, TILT UP HANDLE	1	
4	01550-06167	.BOLT	4	
5	61476-87L00	.SEAL, AIR VENT	1	
6	61610-93J00	.FASTENER	2	
7	09329-10022	.CUSHION	2	
8	01550-06127	.BOLT	2	
9	61443-87L20	.STRIPE, ENGINE COVER STBD	1	
10	61453-87L20	.STRIPE, ENGINE COVER PORT	1	
11	61446-87L12	.DECAL, EFI	1	
12	68111-18G20	.EMBLEM (S)	1	
13	61422-87L80	MARK, EMBLEM FRONT (70)	1	
14	61435-87L80	MARK, EMBLEM REAR (70)	1	
15	61458-99E70	LABEL, ENGINE COVER	1	
16	09800-81840	TOOL SET	1	
17	61471-98J00	DECAL, LEANBURN	1	
18	99011-87L20-059	MANUAL, OWNER'S	1	
19	68110-87L00	COVER, WEATHER	1	OPT

FIG.118

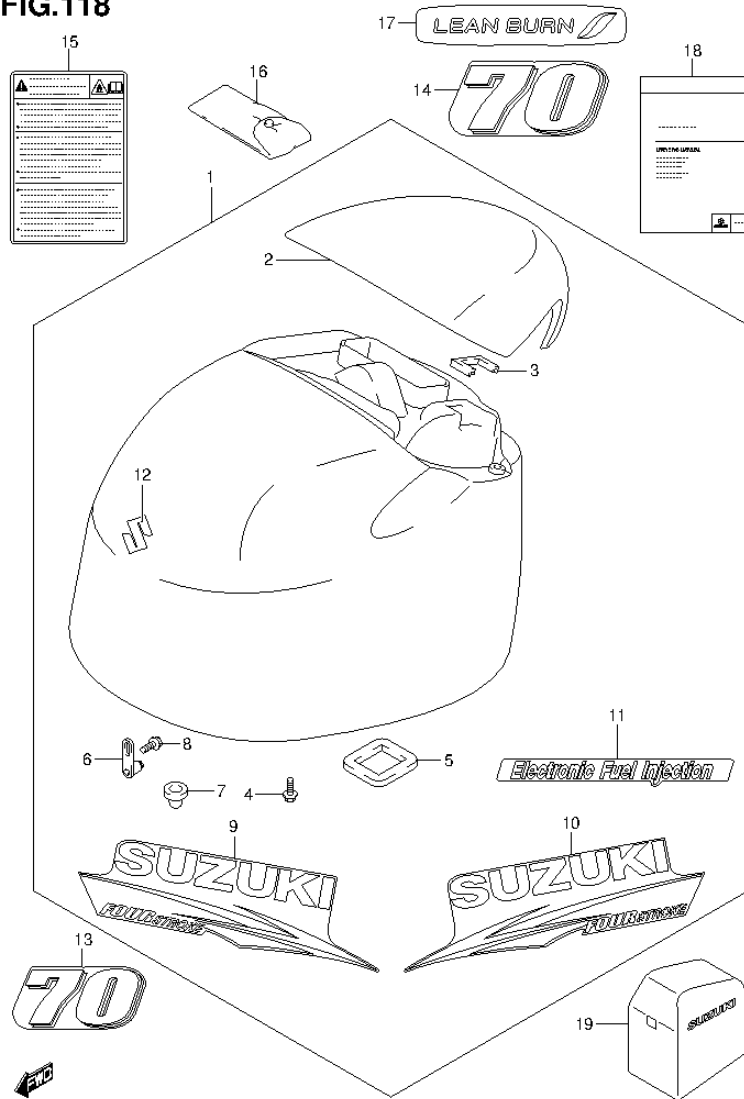


FIG.118 (1-L-3) ENGINE COVER (DF70ATH E01)

REF NO.	PART NO.	DESCRIPTION	Q'TY	REMARKS
1	61400-87Y80-0EP	COVER SET, ENGINE (BLACK)	1	
2	61431-87L21-0EP	.HANDLE, TILT UP (BLACK)	1	
3	61439-87L00	.SEAL, TILT UP HANDLE	1	
4	01550-06167	.BOLT	4	
5	61476-87L00	.SEAL, AIR VENT	1	
6	61610-93J00	.FASTENER	2	
7	09329-10022	.CUSHION	2	
8	01550-06127	.BOLT	2	
9	61443-87L20	.STRIPE, ENGINE COVER STBD	1	
10	61453-87L20	.STRIPE, ENGINE COVER PORT	1	
11	61446-87L12	.DECAL, EFI	1	
12	68111-18G20	.EMBLEM (S)	1	
13	61422-87L80	MARK, EMBLEM FRONT (70)	1	
14	61435-87L80	MARK, EMBLEM REAR (70)	1	
15	61458-99E70	LABEL, ENGINE COVER	1	
16	09800-81840	TOOL SET	1	
17	61471-98J00	DECAL, LEANBURN	1	
18	99011-87L20-059	MANUAL, OWNER'S	1	
19	68110-87L00	COVER, WEATHER	1	OPT

FIG.119

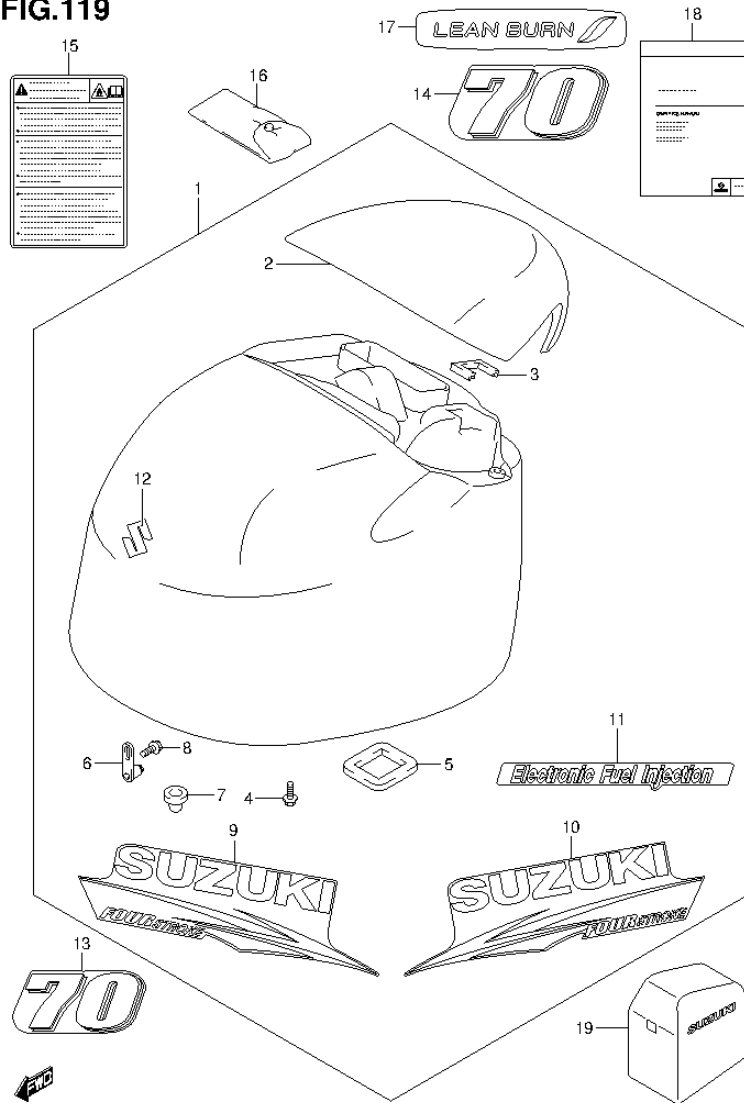


FIG.119 (1-L-4) ENGINE COVER (DF70ATH E40)

REF NO.	PART NO.	DESCRIPTION	Q'TY	REMARKS
1	61400-87Y80-0EP	COVER SET, ENGINE (BLACK)	1	
2	61431-87L21-0EP	.HANDLE, TILT UP (BLACK)	1	
3	61439-87L00	.SEAL, TILT UP HANDLE	1	
4	01550-06167	.BOLT	4	
5	61476-87L00	.SEAL, AIR VENT	1	
6	61610-93J00	.FASTENER	2	
7	09329-10022	.CUSHION	2	
8	01550-06127	.BOLT	2	
9	61443-87L20	.STRIPE, ENGINE COVER STBD	1	
10	61453-87L20	.STRIPE, ENGINE COVER PORT	1	
11	61446-87L12	.DECAL, EFI	1	
12	68111-18G20	.EMBLEM (S)	1	
13	61422-87L80	MARK, EMBLEM FRONT (70)	1	
14	61435-87L80	MARK, EMBLEM REAR (70)	1	
15	61458-99E70	LABEL, ENGINE COVER	1	
16	09800-81840	TOOL SET	1	
17	61471-98J00	DECAL, LEANBURN	1	
18	99011-87L20-059	MANUAL, OWNER'S	1	
19	68110-87L00	COVER, WEATHER	1	OPT

FIG.120

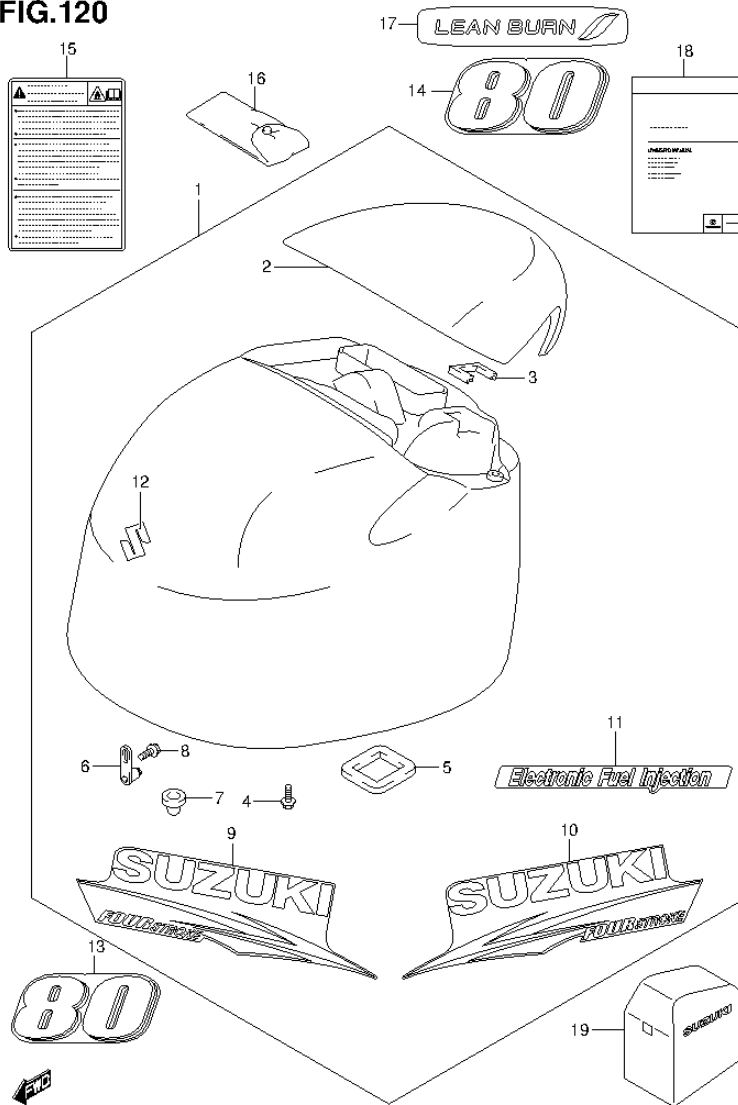


FIG.120 (1-L-5) ENGINE COVER (DF80A E01)

REF NO.	PART NO.	DESCRIPTION	Q'TY	REMARKS
1	61400-87Y80-0EP	COVER SET, ENGINE (BLACK)	1	
2	61431-87L21-0EP	.HANDLE, TILT UP (BLACK)	1	
3	61439-87L00	.SEAL, TILT UP HANDLE	1	
4	01550-06167	.BOLT	4	
5	61476-87L00	.SEAL, AIR VENT	1	
6	61610-93J00	.FASTENER	2	
7	09329-10022	.CUSHION	2	
8	01550-06127	.BOLT	2	
9	61443-87L20	.STRIPE, ENGINE COVER STBD	1	
10	61453-87L20	.STRIPE, ENGINE COVER PORT	1	
11	61446-87L12	.DECAL, EFI	1	
12	68111-18G20	.EMBLEM (S)	1	
13	61422-87L60	MARK, EMBLEM FRONT (80)	1	
14	61435-87L60	MARK, EMBLEM REAR (80)	1	
15	61458-99E70	LABEL, ENGINE COVER	1	
16	09800-81840	TOOL SET	1	
17	61471-98J00	DECAL, LEANBURN	1	
18-1	99011-87L20-054	MANUAL, OWNER'S	1	
18-2	99011-87L20-059	MANUAL, OWNER'S	1	
19	68110-87L00	COVER, WEATHER	1	OPT

FIG.121

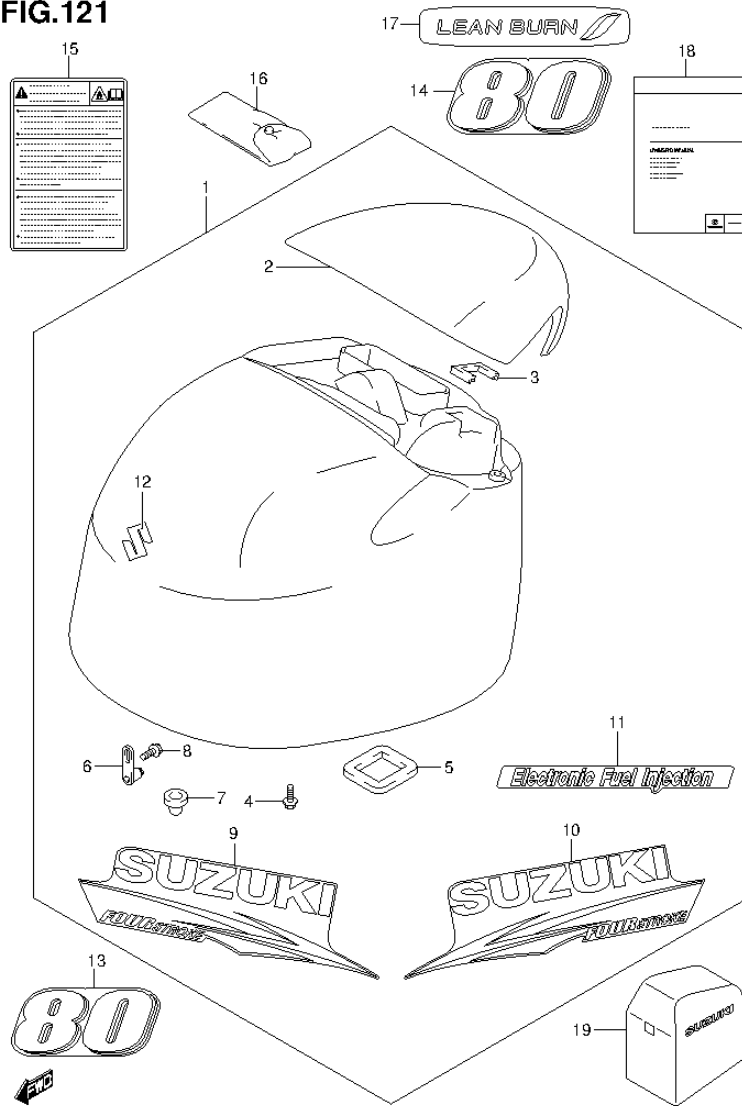


FIG.121 (1-L-6) ENGINE COVER (DF80A E40)

REF NO.	PART NO.	DESCRIPTION	Q'TY	REMARKS
1	61400-87Y80-0EP	COVER SET, ENGINE (BLACK)	1	
2	61431-87L21-0EP	.HANDLE, TILT UP (BLACK)	1	
3	61439-87L00	.SEAL, TILT UP HANDLE	1	
4	01550-06167	.BOLT	4	
5	61476-87L00	.SEAL, AIR VENT	1	
6	61610-93J00	.FASTENER	2	
7	09329-10022	.CUSHION	2	
8	01550-06127	.BOLT	2	
9	61443-87L20	.STRIPE, ENGINE COVER STBD	1	
10	61453-87L20	.STRIPE, ENGINE COVER PORT	1	
11	61446-87L12	.DECAL, EFI	1	
12	68111-18G20	.EMBLEM (S)	1	
13	61422-87L60	MARK, EMBLEM FRONT (80)	1	
14	61435-87L60	MARK, EMBLEM REAR (80)	1	
15	61458-99E70	LABEL, ENGINE COVER	1	
16	09800-81840	TOOL SET	1	
17	61471-98J00	DECAL, LEANBURN	1	
18	99011-87L20-059	MANUAL, OWNER'S	1	
19	68110-87L00	COVER, WEATHER	1	OPT

FIG.122

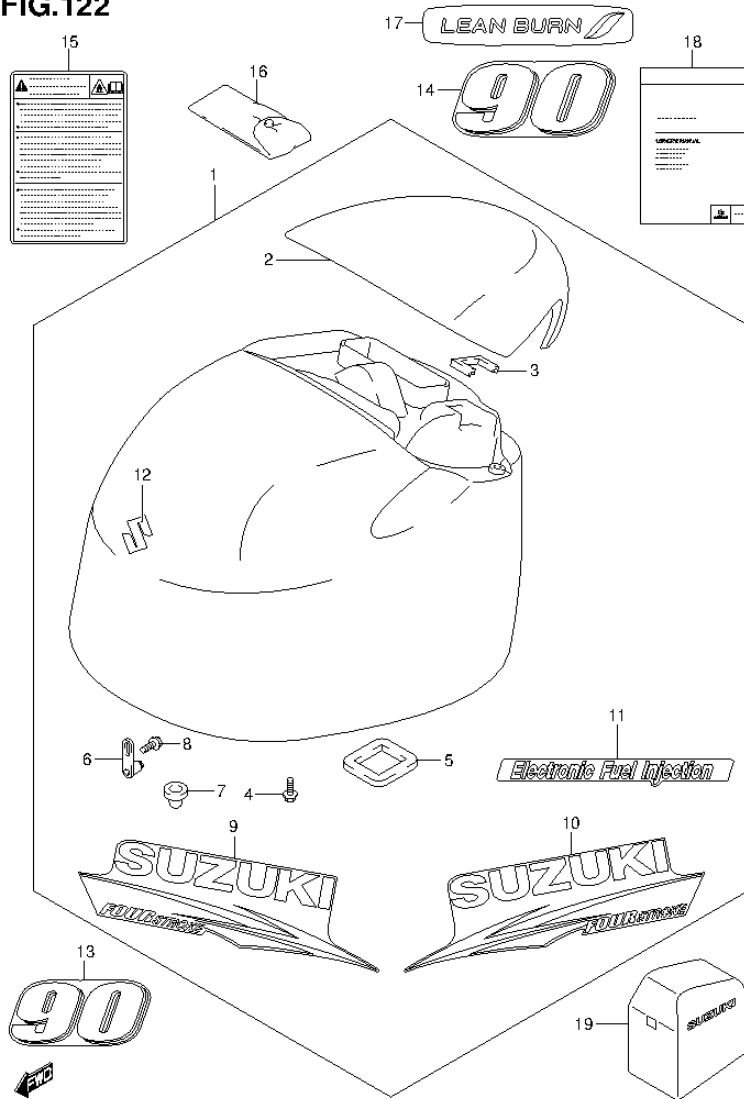


FIG.122 (1-L-7) ENGINE COVER (DF90A E01)

REF NO.	PART NO.	DESCRIPTION	Q'TY	REMARKS
1	61400-87Y80-0EP	COVER SET, ENGINE (BLACK)	1	
2	61431-87L21-0EP	.HANDLE, TILT UP (BLACK)	1	
3	61439-87L00	.SEAL, TILT UP HANDLE	1	
4	01550-06167	.BOLT	4	
5	61476-87L00	.SEAL, AIR VENT	1	
6	61610-93J00	.FASTENER	2	
7	09329-10022	.CUSHION	2	
8	01550-06127	.BOLT	2	
9	61443-87L20	.STRIPE, ENGINE COVER STBD	1	
10	61453-87L20	.STRIPE, ENGINE COVER PORT	1	
11	61446-87L12	.DECAL, EFI	1	
12	68111-18G20	.EMBLEM (S)	1	
13	61422-87L70	MARK, EMBLEM FRONT (90)	1	
14	61435-87L70	MARK, EMBLEM REAR (90)	1	
15	61458-99E70	LABEL, ENGINE COVER	1	
16	09800-81840	TOOL SET	1	
17	61471-98J00	DECAL, LEANBURN	1	
18-1	99011-87L20-054	MANUAL, OWNER'S	1	
18-2	99011-87L20-059	MANUAL, OWNER'S	1	
19	68110-87L00	COVER, WEATHER	1	OPT

FIG.123

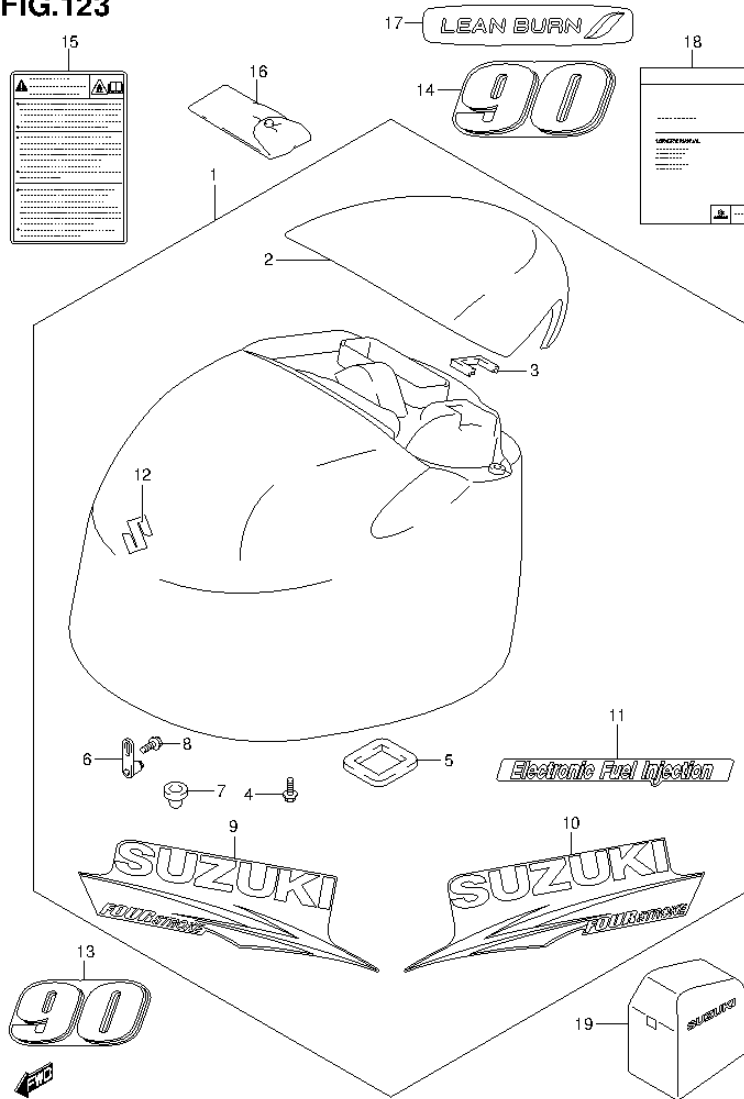


FIG.123 (1-L-8) ENGINE COVER (DF90A E40)

REF NO.	PART NO.	DESCRIPTION	Q'TY	REMARKS
1	61400-87Y80-0EP	COVER SET, ENGINE (BLACK)	1	
2	61431-87L21-0EP	.HANDLE, TILT UP (BLACK)	1	
3	61439-87L00	.SEAL, TILT UP HANDLE	1	
4	01550-06167	.BOLT	4	
5	61476-87L00	.SEAL, AIR VENT	1	
6	61610-93J00	.FASTENER	2	
7	09329-10022	.CUSHION	2	
8	01550-06127	.BOLT	2	
9	61443-87L20	.STRIPE, ENGINE COVER STBD	1	
10	61453-87L20	.STRIPE, ENGINE COVER PORT	1	
11	61446-87L12	.DECAL, EFI	1	
12	68111-18G20	.EMBLEM (S)	1	
13	61422-87L70	MARK, EMBLEM FRONT (90)	1	
14	61435-87L70	MARK, EMBLEM REAR (90)	1	
15	61458-99E70	LABEL, ENGINE COVER	1	
16	09800-81840	TOOL SET	1	
17	61471-98J00	DECAL, LEANBURN	1	
18	99011-87L20-059	MANUAL, OWNER'S	1	
19	68110-87L00	COVER, WEATHER	1	OPT

FIG.124

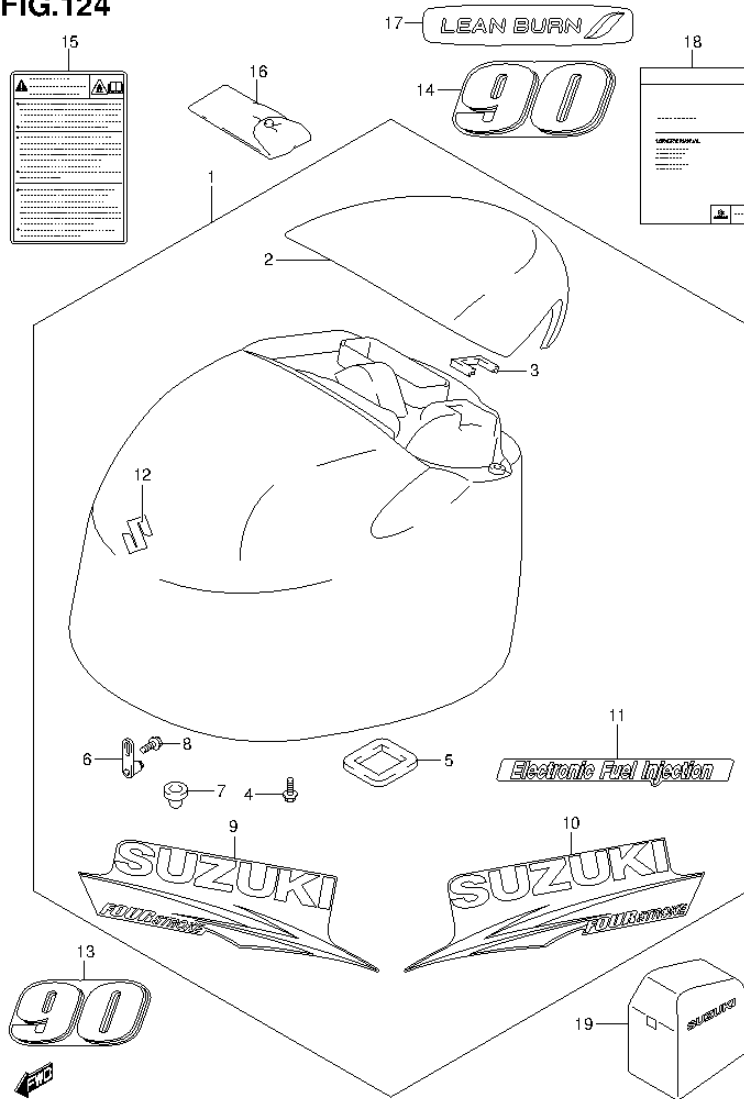


FIG.124 (1-L-9) ENGINE COVER (DF90ATH E01)

REF NO.	PART NO.	DESCRIPTION	Q'TY	REMARKS
1	61400-87Y80-0EP	COVER SET, ENGINE (BLACK)	1	
2	61431-87L21-0EP	.HANDLE, TILT UP (BLACK)	1	
3	61439-87L00	.SEAL, TILT UP HANDLE	1	
4	01550-06167	.BOLT	4	
5	61476-87L00	.SEAL, AIR VENT	1	
6	61610-93J00	.FASTENER	2	
7	09329-10022	.CUSHION	2	
8	01550-06127	.BOLT	2	
9	61443-87L20	.STRIPE, ENGINE COVER STBD	1	
10	61453-87L20	.STRIPE, ENGINE COVER PORT	1	
11	61446-87L12	.DECAL, EFI	1	
12	68111-18G20	.EMBLEM (S)	1	
13	61422-87L70	MARK, EMBLEM FRONT (90)	1	
14	61435-87L70	MARK, EMBLEM REAR (90)	1	
15	61458-99E70	LABEL, ENGINE COVER	1	
16	09800-81840	TOOL SET	1	
17	61471-98J00	DECAL, LEANBURN	1	
18	99011-87L20-059	MANUAL, OWNER'S	1	
19	68110-87L00	COVER, WEATHER	1	OPT

FIG.125

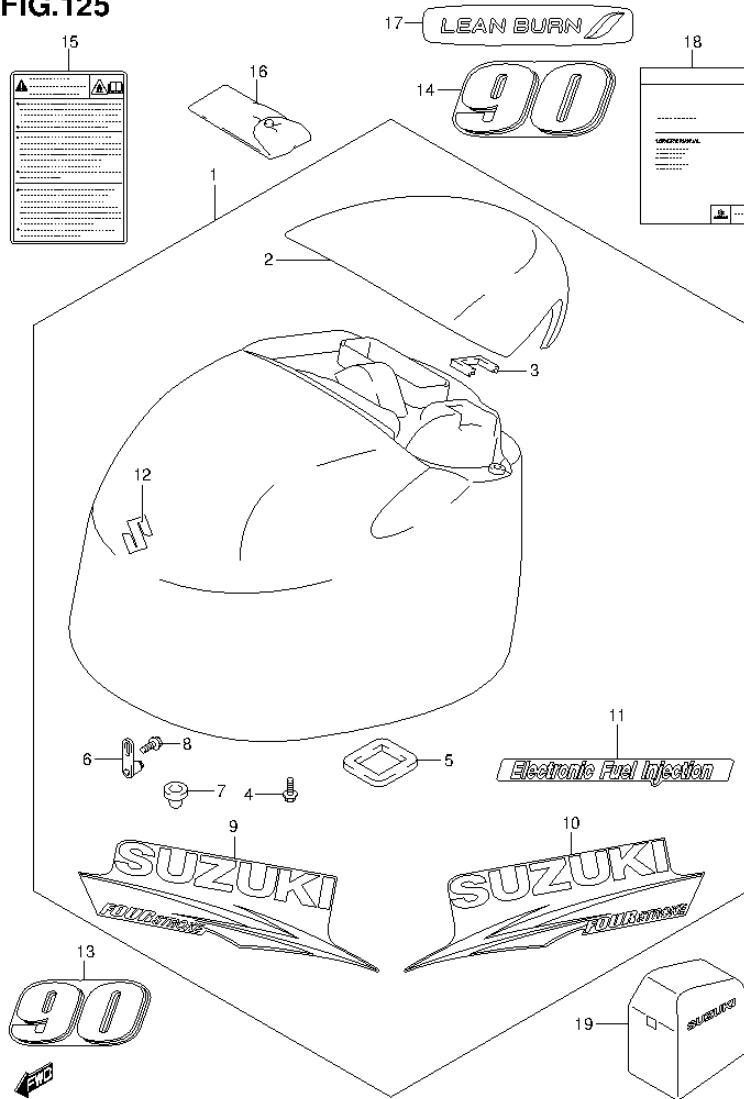


FIG.125 (1-L-10) ENGINE COVER (DF90ATH E40)

REF NO.	PART NO.	DESCRIPTION	Q'TY	REMARKS
1	61400-87Y80-0EP	COVER SET, ENGINE (BLACK)	1	
2	61431-87L21-0EP	.HANDLE, TILT UP (BLACK)	1	
3	61439-87L00	.SEAL, TILT UP HANDLE	1	
4	01550-06167	.BOLT	4	
5	61476-87L00	.SEAL, AIR VENT	1	
6	61610-93J00	.FASTENER	2	
7	09329-10022	.CUSHION	2	
8	01550-06127	.BOLT	2	
9	61443-87L20	.STRIPE, ENGINE COVER STBD	1	
10	61453-87L20	.STRIPE, ENGINE COVER PORT	1	
11	61446-87L12	.DECAL, EFI	1	
12	68111-18G20	.EMBLEM (S)	1	
13	61422-87L70	MARK, EMBLEM FRONT (90)	1	
14	61435-87L70	MARK, EMBLEM REAR (90)	1	
15	61458-99E70	LABEL, ENGINE COVER	1	
16	09800-81840	TOOL SET	1	
17	61471-98J00	DECAL, LEANBURN	1	
18	99011-87L20-059	MANUAL, OWNER'S	1	
19	68110-87L00	COVER, WEATHER	1	OPT

FIG.126

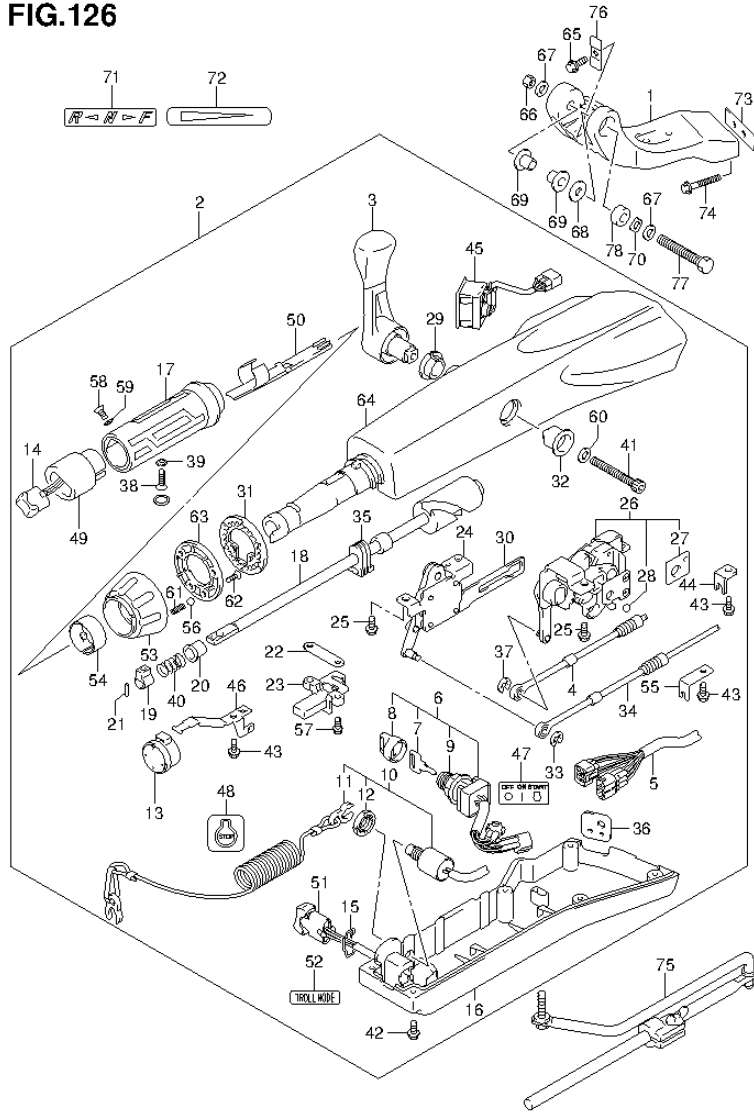


FIG.126 (1-L-11) TILLER HANDLE (DF70ATH E01)

REF NO.	PART NO.	DESCRIPTION	Q'TY	REMARKS
1	43761-88L01-OEP	BRACKET, TILLER HANDLE (BLACK)	1	
2	63110-87L10-OEP	HANDLE ASSY, TILLER (BLACK)	1	
3	21110-88L00	.LEVER, SHIFT	1	
4	23230-90J10	.CABLE, SHIFT	1	
5	36620-87L00	.WIRE ASSY, HARNESS	1	
6	37110-87L01	.SWITCH ASSY, IGNITION	1	
7-1	37141-99E00	..KEY (931)	1	
7-2	37141-99E10	..KEY (932)	1	
7-3	37141-99E20	..KEY (933)	1	
7-4	37141-99E30	..KEY (934)	1	
7-5	37141-99E40	..KEY (935)	1	
7-6	37141-99E50	..KEY (936)	1	
7-7	37141-99E60	..KEY (937)	1	
7-8	37141-99E70	..KEY (938)	1	
7-9	37141-99E80	..KEY (939)	1	
7-10	37141-99E90	..KEY (940)	1	
7-11	37141-99EA0	..KEY (941)	1	
7-12	37141-99EB0	..KEY (942)	1	
8	37143-99E00	..CAP, KEY	1	
9	37149-93J00	..CAP, CYLINDER BODY	1	
10	37820-87L00	.SWITCH ASSY, EMERGENCY	1	
11	37823-92E01	..PLATE, LOCK	1	
12	37826-92E00	..NUT	1	
13	38500-93J90	.BUZZER	1	
14	37850-87L00	.SWITCH ASSY, PTT	1	
15	37852-87J00	.PLATE, TRIM SWITCH	1	
16	63121-88L00	.COVER, UNDER	1	
17	63210-88L00	.GRIP, HANDLE	1	
18	63221-88L00	.SHAFT, THROTTLE	1	
19	63223-92D00	.STOPPER, HANDLE ROD	1	
20	63225-88L00	.BUSH, HANDLE ROD	1	
21	63227-93200	.PIN, HANDLE ROD	1	
22	63235-88L00	.PLATE, THROTTLE SHAFT	1	
23	63246-88L00	.STOPPER THROTTLE ADJ	1	

FIG.126

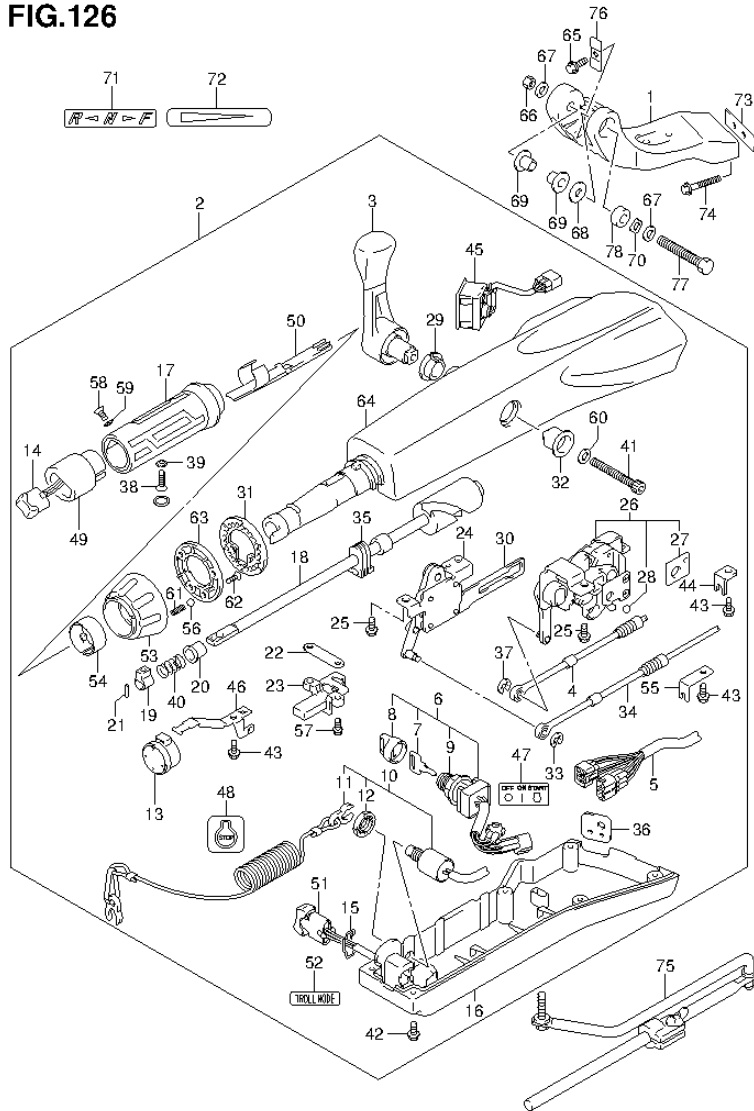


FIG.126 (1-L-12) TILLER HANDLE (DF70ATH E01)

REF NO.	PART NO.	DESCRIPTION	Q'TY	REMARKS
24	63250-88L00	ARM ASSY, THROTTLE	1	
25	63251-87J00	.BOLT, SHIFT GEAR ASSY	4	
26	63260-88L00	.GEAR ASSY, SHIFT	1	
27	63272-87J00	.PLATE, BALL GUIDE	1	
28	63273-87J00	.BALL	1	
29	63262-87J00	.BUSH, SHIFT LEVER	1	
30	63271-87J00	.PLATE, LOCK	1	
31	63248-99J00	.PLATE, THROTTLE ADJ NOTCH	1	
32	63261-87J00	.BUSH, SHIFT GEAR	1	
33	63274-87J00	E RING	1	
34	63610-87J00	.CABLE, THROTTLE	1	
35	37853-88L90	.GROMMET, PTT SWITCH LEAD	1	
36	63626-88L00	.GROMMET, WIRE HARNESS	1	
37	67292-87J00	E RING	2	
38	09126-06015	.SCREW (6X23)	1	
39	09163-06001	.LOCK WASHER	1	
40	09440-12027	.SPRING	1	
41	21112-88L00	.BOLT SHIFT LEVER	1	
42	09125-05047	.SCREW (5X14)	6	
43	63611-88L00	.BOLT CLAMP BRACKET	3	
44	63612-87J00	.BRACKET, CLAMP	1	
45	34200-87L00	.TACHOMETER ASSY, WITH MONITOR	1	
46	36617-88L90	.CLAMP PLATE, MAIN HARNESS	1	
47	37112-88L90	.LABEL, IGNITION SWITCH	1	
48	37835-95D00	.LABEL, STOP	1	
49	37851-88L90	.BASE, PTT SWITCH	1	
50	37852-88L90	.HARNESS, GUIDE	1	
51	37861-87L10	.SWITCH, TROLLING CONTROL	1	
52	37864-88L90	.LABEL, TROLL MODE	1	
53	63244-99J00	.KNOB, THROTTLE ADJ	1	
54	63245-99J00	.BUSH, THROTTLE ADJ	1	
55	63612-88L10	.BRACKET, CLAMP SHIFT	1	

FIG.126

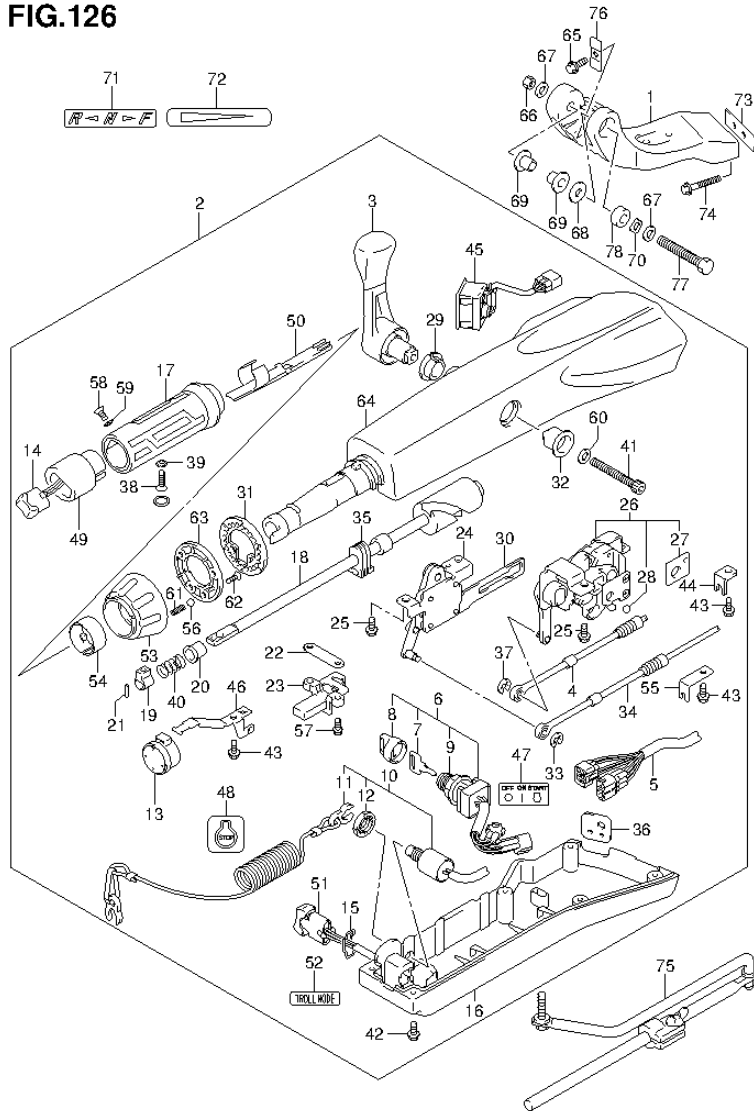
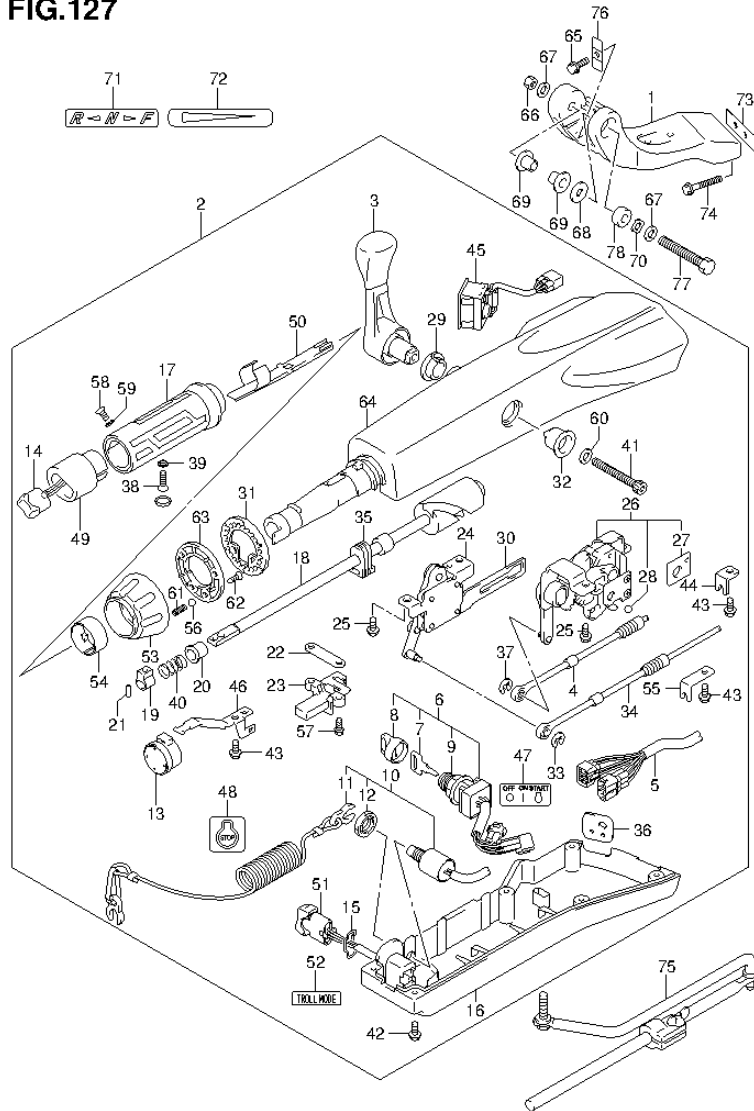


FIG.126 (1-L-13) TILLER HANDLE (DF70ATH E01)

REF NO.	PART NO.	DESCRIPTION	Q'TY	REMARKS
56	09260-10006	.BALL	1	
57	63251-88L90	.BOLT	2	
58	37855-88L90	.SCREW,THROTTLE GRIP	1	
59	37854-88L90	.WASHER,THROTTLE GRIP	1	
60	63258-88L00	.WASHER	1	
61	09440-06037	.SPRING	1	
62	03522-05169	.SCREW	3	
63	63247-99J00	.PLATE,THROTTLE ADJ KNOB	1	
64	63111-88L00-OEP	.HOUSING, TILLER HANDLE	1	
65	09116-08137	BOLT (8X22)	1	
66	09159-12014	NUT	1	
67	09160-12066	WASHER (12.5X22X2.5)	2	
68	09160-12124	WASHER (12.5X32X1.5)	1	
69	63115-88L00	BUSH, TILLER HANDLE PIVOT	2	
70	09164-13010	WAVE WASHER	1	
71	21131-88L00	MARK, CLUTCH SHIFT	1	
72	63215-93110	MARK, HANDLE GRIP	1	
73	43776-87L00	SPACER, STRG BRKT	1	
74	09116-10150	BOLT (10X55)	2	
75	43770-99E03	ADJUSTER ASSY, STEERING	1	
76	63132-88L00	STOPPER, TILLER HANDLE	1	
77	43762-88L00	BOLT TILLER HANDLE PIVOT	1	
78	43768-88L00	SPACER, TILLER HANDLE	1	

FIG.127



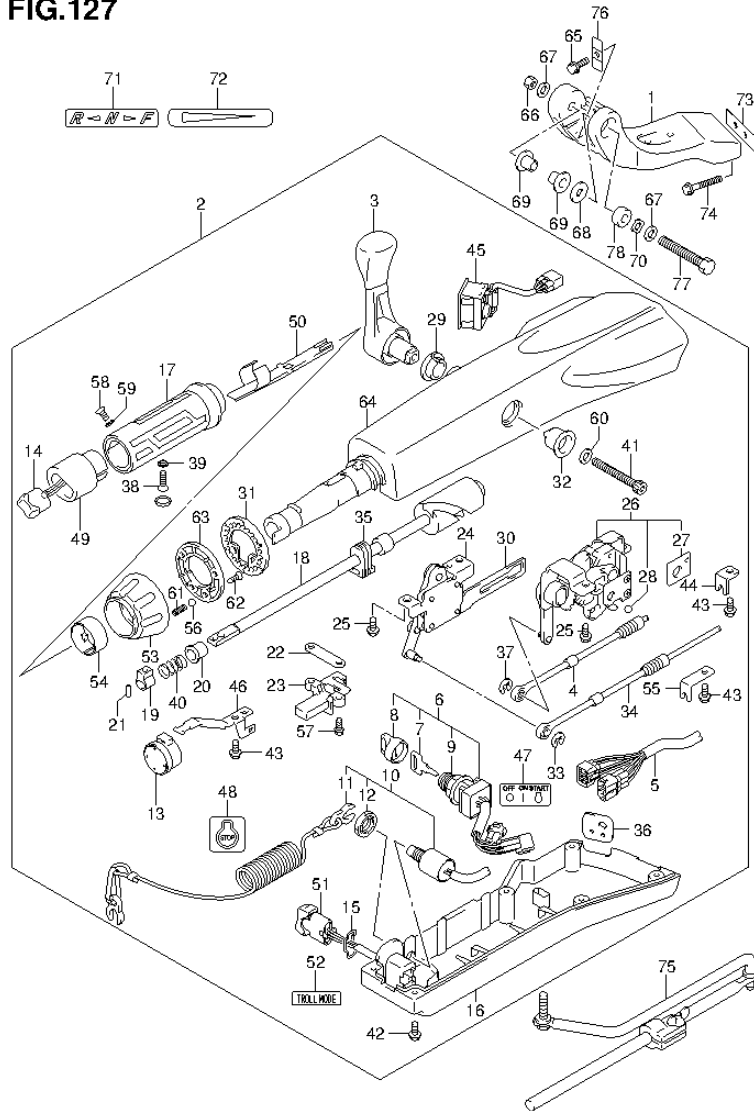
DF90A_E01_014_127
TILLER HANDLE

FIG.127 (1-L-14) TILLER HANDLE (DF70ATH E40)

REF NO.	PART NO.	DESCRIPTION	Q'TY	REMARKS
1	43761-88L01-OEP	BRACKET, TILLER HANDLE (BLACK)	1	
2	63110-87L10-OEP	HANDLE ASSY, TILLER (BLACK)	1	
3	21110-88L00	.LEVER, SHIFT	1	
4	23230-90J10	.CABLE, SHIFT	1	
5	36620-87L00	.WIRE ASSY, HARNESS	1	
6	37110-87L01	.SWITCH ASSY, IGNITION	1	
7-1	37141-99E00	..KEY (931)	1	
7-2	37141-99E10	..KEY (932)	1	
7-3	37141-99E20	..KEY (933)	1	
7-4	37141-99E30	..KEY (934)	1	
7-5	37141-99E40	..KEY (935)	1	
7-6	37141-99E50	..KEY (936)	1	
7-7	37141-99E60	..KEY (937)	1	
7-8	37141-99E70	..KEY (938)	1	
7-9	37141-99E80	..KEY (939)	1	
7-10	37141-99E90	..KEY (940)	1	
7-11	37141-99EA0	..KEY (941)	1	
7-12	37141-99EB0	..KEY (942)	1	
8	37143-99E00	..CAP, KEY	1	
9	37149-93J00	..CAP, CYLINDER BODY	1	
10	37820-87L00	.SWITCH ASSY, EMERGENCY	1	
11	37823-92E01	..PLATE, LOCK	1	
12	37826-92E00	..NUT	1	
13	38500-93J90	.BUZZER	1	
14	37850-87L00	.SWITCH ASSY, PTT	1	
15	37852-87J00	.PLATE, TRIM SWITCH	1	
16	63121-88L00	.COVER, UNDER	1	
17	63210-88L00	.GRIP, HANDLE	1	
18	63221-88L00	.SHAFT, THROTTLE	1	
19	63223-92D00	.STOPPER, HANDLE ROD	1	
20	63225-88L00	.BUSH, HANDLE ROD	1	
21	63227-93200	.PIN, HANDLE ROD	1	
22	63235-88L00	.PLATE, THROTTLE SHAFT	1	
23	63246-88L00	.STOPPER THROTTLE ADJ	1	

DF90A_E01_014

FIG.127



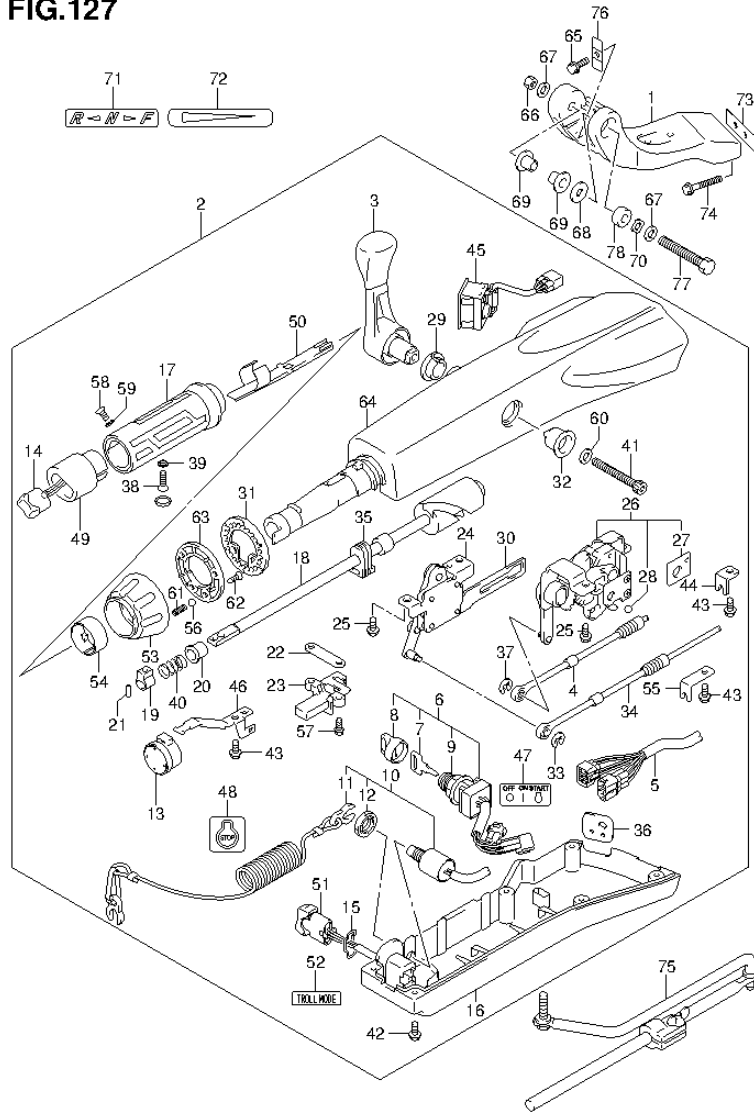
DF90A_E01_014_127
TILLER HANDLE

FIG.127 (1-L-15) TILLER HANDLE (DF70ATH E40)

REF NO.	PART NO.	DESCRIPTION	Q'TY	REMARKS
24	63250-88L00	.ARM ASSY, THROTTLE	1	
25	63251-87J00	.BOLT, SHIFT GEAR ASSY	4	
26	63260-88L00	.GEAR ASSY, SHIFT	1	
27	63272-87J00	.PLATE, BALL GUIDE	1	
28	63273-87J00	.BALL	1	
29	63262-87J00	.BUSH, SHIFT LEVER	1	
30	63271-87J00	.PLATE, LOCK	1	
31	63248-99J00	.PLATE, THROTTLE ADJ NOTCH	1	
32	63261-87J00	.BUSH, SHIFT GEAR	1	
33	63274-87J00	.E RING	1	
34	63610-87J00	.CABLE, THROTTLE	1	
35	37853-88L90	.GROMMET, PTT SWITCH LEAD	1	
36	63626-88L00	.GROMMET, WIRE HARNESS	1	
37	67292-87J00	.E RING	2	
38	09126-06015	.SCREW (6X23)	1	
39	09163-06001	.LOCK WASHER	1	
40	09440-12027	.SPRING	1	
41	21112-88L00	.BOLT SHIFT LEVER	1	
42	09125-05047	.SCREW (5X14)	6	
43	63611-88L00	.BOLT CLAMP BRACKET	3	
44	63612-87J00	.BRACKET, CLAMP	1	
45	34200-87L00	.TACHOMETER ASSY, WITH MONITOR	1	
46	36617-88L90	.CLAMP PLATE, MAIN HARNESS	1	
47	37112-88L90	.LABEL, IGNITION SWITCH	1	
48	37835-95D00	.LABEL, STOP	1	
49	37851-88L90	.BASE, PTT SWITCH	1	
50	37852-88L90	.HARNESS, GUIDE	1	
51	37861-87L10	.SWITCH, TROLLING CONTROL	1	
52	37864-88L90	.LABEL, TROLL MODE	1	
53	63244-99J00	.KNOB, THROTTLE ADJ	1	
54	63245-99J00	.BUSH, THROTTLE ADJ	1	
55	63612-88L10	.BRACKET, CLAMP SHIFT	1	

DF90A_E01_014

FIG.127



DF90A_E01_014_127
TILLER HANDLE

FIG.127 (2-B-2) TILLER HANDLE (DF70ATH E40)

REF NO.	PART NO.	DESCRIPTION	Q'TY	REMARKS
56	09260-10006	.BALL	1	
57	63251-88L90	.BOLT	2	
58	37855-88L90	.SCREW,THROTTLE GRIP	1	
59	37854-88L90	.WASHER,THROTTLE GRIP	1	
60	63258-88L00	.WASHER	1	
61	09440-06037	.SPRING	1	
62	03522-05169	.SCREW	3	
63	63247-99J00	.PLATE,THROTTLE ADJ KNOB	1	
64	63111-88L00-OEP	.HOUSING, TILLER HANDLE	1	
65	09116-08137	BOLT (8X22)	1	
66	09159-12014	NUT	1	
67	09160-12066	WASHER (12.5X22X2.5)	2	
68	09160-12124	WASHER (12.5X32X1.5)	1	
69	63115-88L00	BUSH, TILLER HANDLE PIVOT	2	
70	09164-13010	WAVE WASHER	1	
71	21131-88L00	MARK, CLUTCH SHIFT	1	
72	63215-93110	MARK, HANDLE GRIP	1	
73	43776-87L00	SPACER, STRG BRKT	1	
74	09116-10150	BOLT (10X55)	2	
75	43770-99E03	ADJUSTER ASSY, STEERING	1	
76	63132-88L00	STOPPER, TILLER HANDLE	1	
77	43762-88L00	BOLT TILLER HANDLE PIVOT	1	
78	43768-88L00	SPACER, TILLER HANDLE	1	

DF90A_E01_014

FIG.128

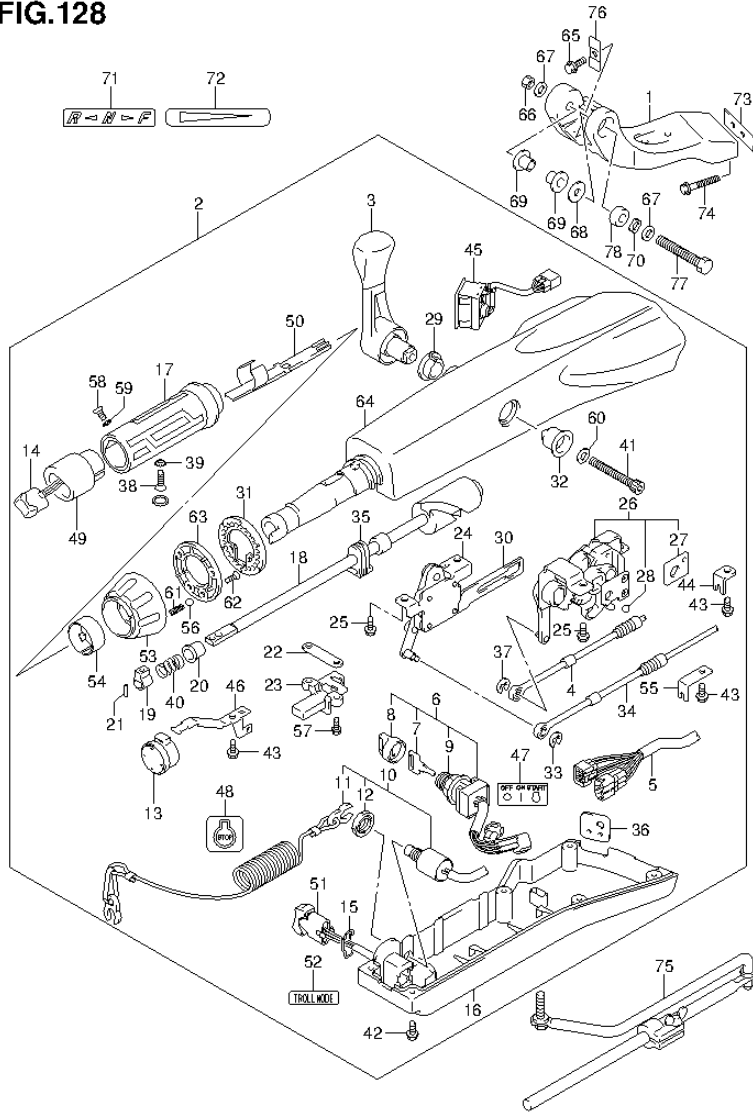


FIG.128 (2-B-3) TILLER HANDLE (DF90ATH E01)

REF NO.	PART NO.	DESCRIPTION	Q'TY	REMARKS
1	43761-88L01-OEP	BRACKET, TILLER HANDLE (BLACK)	1	
2	63110-87L10-OEP	HANDLE ASSY, TILLER (BLACK)	1	
3	21110-88L00	.LEVER, SHIFT	1	
4	23230-90J10	.CABLE, SHIFT	1	
5	36620-87L00	.WIRE ASSY, HARNESS	1	
6	37110-87L01	.SWITCH ASSY, IGNITION	1	
7-1	37141-99E00	..KEY (931)	1	
7-2	37141-99E10	..KEY (932)	1	
7-3	37141-99E20	..KEY (933)	1	
7-4	37141-99E30	..KEY (934)	1	
7-5	37141-99E40	..KEY (935)	1	
7-6	37141-99E50	..KEY (936)	1	
7-7	37141-99E60	..KEY (937)	1	
7-8	37141-99E70	..KEY (938)	1	
7-9	37141-99E80	..KEY (939)	1	
7-10	37141-99E90	..KEY (940)	1	
7-11	37141-99EA0	..KEY (941)	1	
7-12	37141-99EB0	..KEY (942)	1	
8	37143-99E00	..CAP, KEY	1	
9	37149-93J00	..CAP, CYLINDER BODY	1	
10	37820-87L00	.SWITCH ASSY, EMERGENCY	1	
11	37823-92E01	..PLATE, LOCK	1	
12	37826-92E00	..NUT	1	
13	38500-93J90	.BUZZER	1	
14	37850-87L00	.SWITCH ASSY, PTT	1	
15	37852-87J00	.PLATE, TRIM SWITCH	1	
16	63121-88L00	.COVER, UNDER	1	
17	63210-88L00	.GRIP, HANDLE	1	
18	63221-88L00	.SHAFT, THROTTLE	1	
19	63223-92D00	.STOPPER, HANDLE ROD	1	
20	63225-88L00	.BUSH, HANDLE ROD	1	
21	63227-93200	.PIN, HANDLE ROD	1	
22	63235-88L00	.PLATE, THROTTLE SHAFT	1	
23	63246-88L00	.STOPPER THROTTLE ADJ	1	

FIG.128

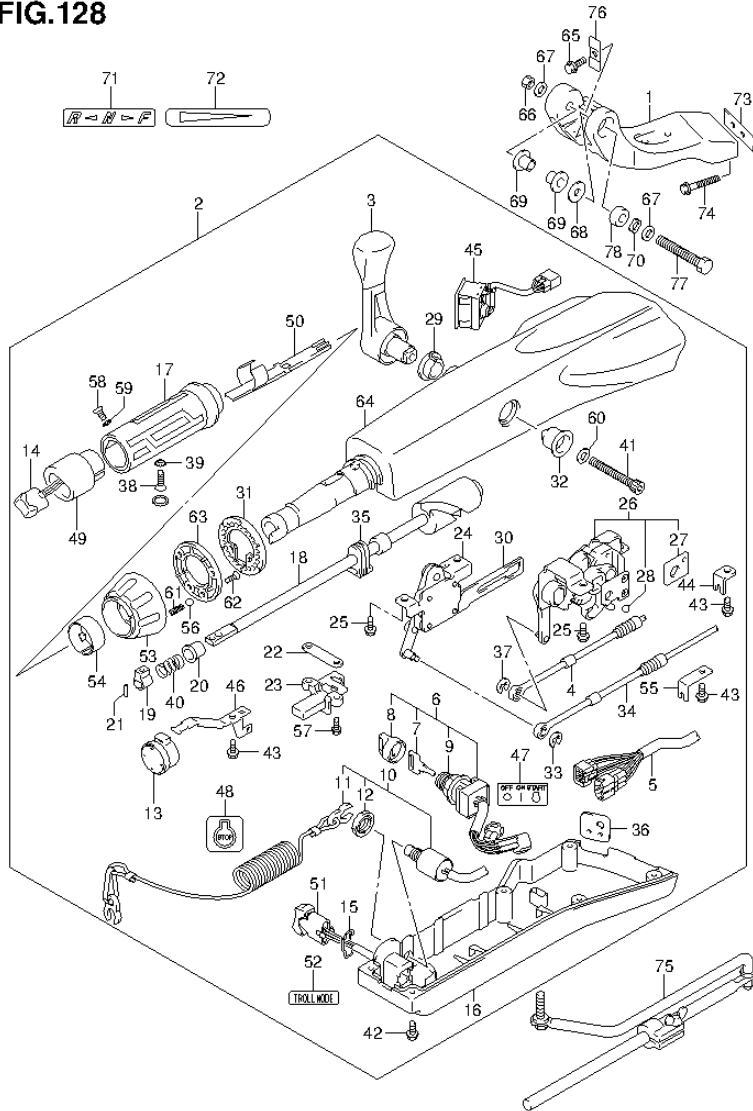


FIG.128 (2-B-4) TILLER HANDLE (DF90ATH E01)

REF NO.	PART NO.	DESCRIPTION	Q'TY	REMARKS
24	63250-88L00	.ARM ASSY, THROTTLE	1	
25	63251-87J00	.BOLT, SHIFT GEAR ASSY	4	
26	63260-88L00	.GEAR ASSY, SHIFT	1	
27	63272-87J00	.PLATE, BALL GUIDE	1	
28	63273-87J00	.BALL	1	
29	63262-87J00	.BUSH, SHIFT LEVER	1	
30	63271-87J00	.PLATE, LOCK	1	
31	63248-99J00	.PLATE, THROTTLE ADJ NOTCH	1	
32	63261-87J00	.BUSH, SHIFT GEAR	1	
33	63274-87J00	.E RING	1	
34	63610-87J00	.CABLE, THROTTLE	1	
35	37853-88L90	.GROMMET, PTT SWITCH LEAD	1	
36	63626-88L00	.GROMMET, WIRE HARNESS	1	
37	67292-87J00	.E RING	2	
38	09126-06015	.SCREW (6X23)	1	
39	09163-06001	.LOCK WASHER	1	
40	09440-12027	.SPRING	1	
41	21112-88L00	.BOLT SHIFT LEVER	1	
42	09125-05047	.SCREW (5X14)	6	
43	63611-88L00	.BOLT CLAMP BRACKET	3	
44	63612-87J00	.BRACKET, CLAMP	1	
45	34200-87L00	.TACHOMETER ASSY, WITH MONITOR	1	
46	36617-88L90	.CLAMP PLATE, MAIN HARNESS	1	
47	37112-88L90	.LABEL, IGNITION SWITCH	1	
48	37835-95D00	.LABEL, STOP	1	
49	37851-88L90	.BASE, PTT SWITCH	1	
50	37852-88L90	.HARNESS, GUIDE	1	
51	37861-87L10	.SWITCH, TROLLING CONTROL	1	
52	37864-88L90	.LABEL, TROLL MODE	1	
53	63244-99J00	.KNOB, THROTTLE ADJ	1	
54	63245-99J00	.BUSH, THROTTLE ADJ	1	
55	63612-88L10	.BRACKET, CLAMP SHIFT	1	

FIG.128

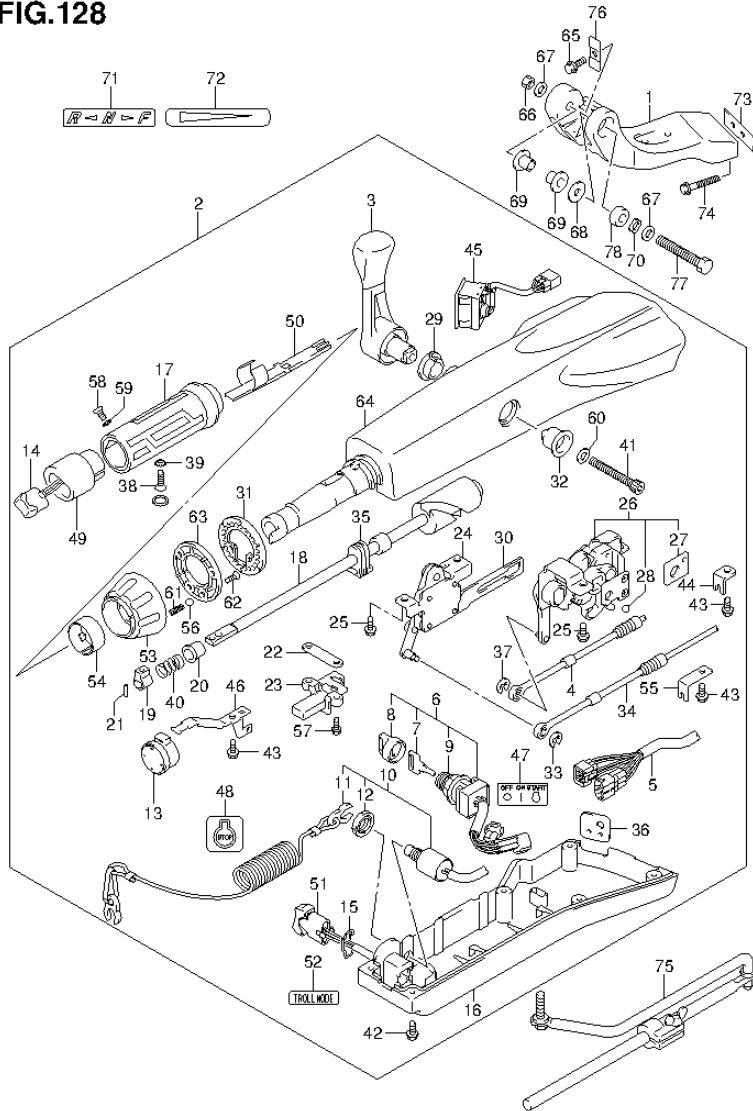
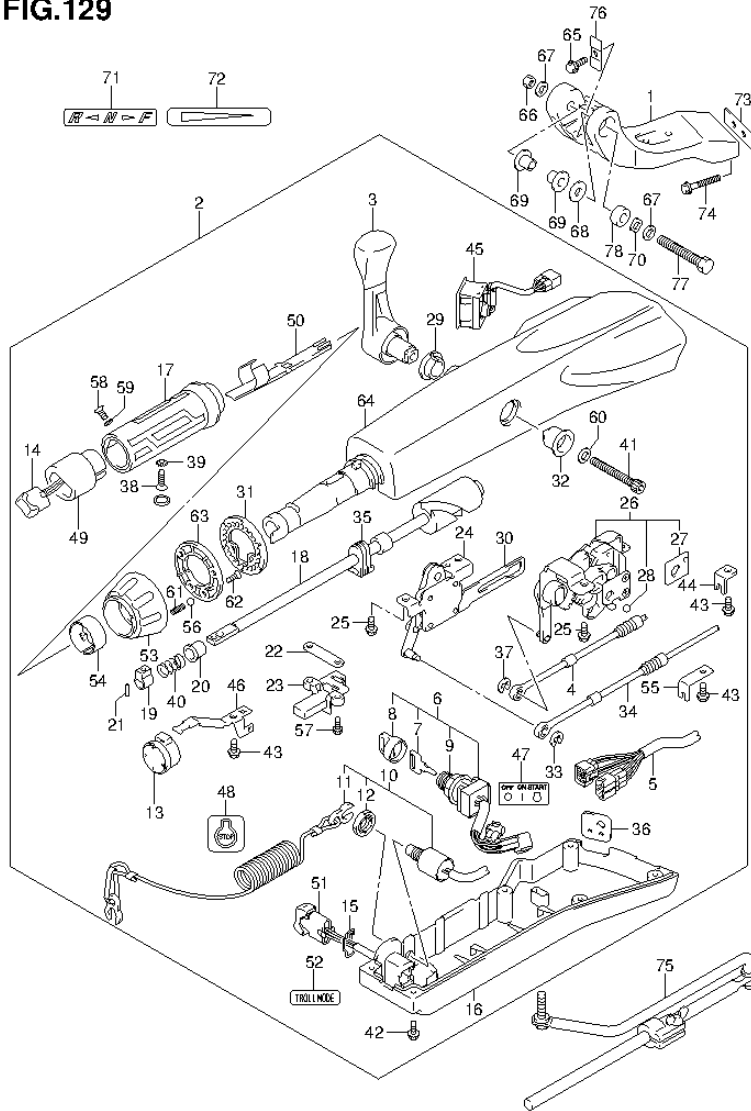


FIG.128 (2-B-5) TILLER HANDLE (DF90ATH E01)

REF NO.	PART NO.	DESCRIPTION	Q'TY	REMARKS
56	09260-10006	.BALL	1	
57	63251-88L90	.BOLT	2	
58	37855-88L90	.SCREW,THROTTLE GRIP	1	
59	37854-88L90	.WASHER,THROTTLE GRIP	1	
60	63258-88L00	.WASHER	1	
61	09440-06037	.SPRING	1	
62	03522-05169	.SCREW	3	
63	63247-99J00	.PLATE,THROTTLE ADJ KNOB	1	
64	63111-88L00-OEP	.HOUSING, TILLER HANDLE	1	
65	09116-08137	BOLT (8X22)	1	
66	09159-12014	NUT	1	
67	09160-12066	WASHER (12.5X22X2.5)	2	
68	09160-12124	WASHER (12.5X32X1.5)	1	
69	63115-88L00	BUSH, TILLER HANDLE PIVOT	2	
70	09164-13010	WAVE WASHER	1	
71	21131-88L00	MARK, CLUTCH SHIFT	1	
72	63215-93110	MARK, HANDLE GRIP	1	
73	43776-87L00	SPACER, STRG BRKT	1	
74	09116-10150	BOLT (10X55)	2	
75	43770-99E03	ADJUSTER ASSY, STEERING	1	
76	63132-88L00	STOPPER, TILLER HANDLE	1	
77	43762-88L00	BOLT TILLER HANDLE PIVOT	1	
78	43768-88L00	SPACER, TILLER HANDLE	1	

FIG.129

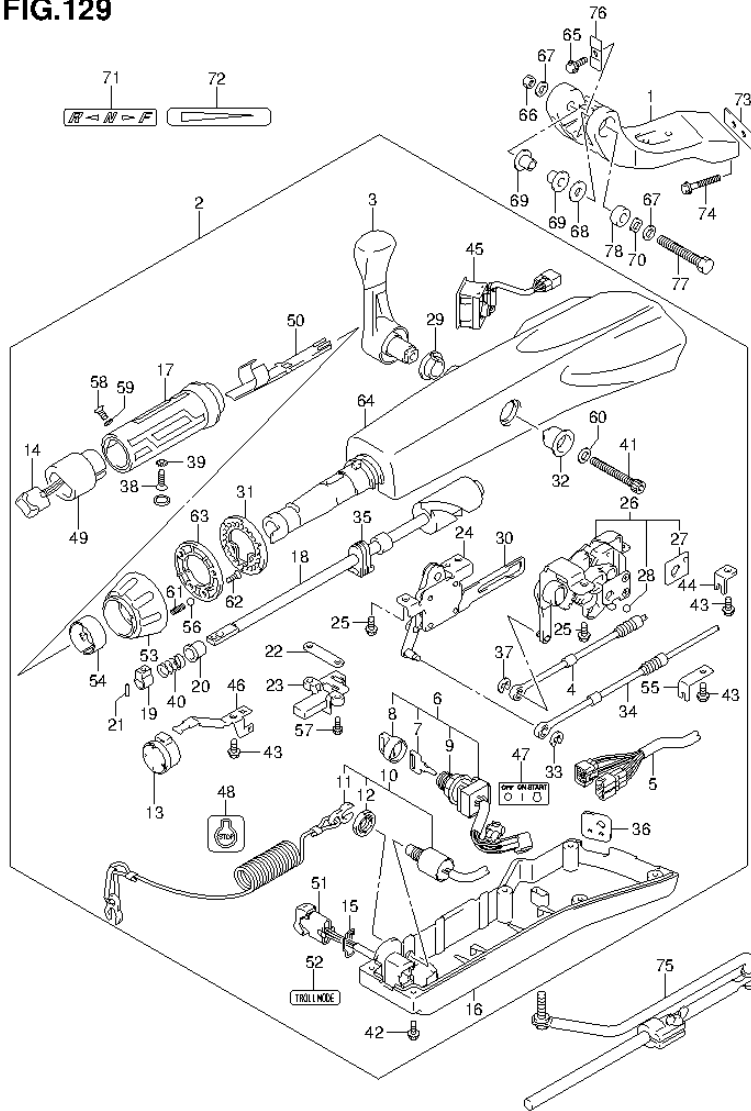
FIG.129 (2-B-6) TILLER HANDLE (DF90ATH E40)



REF NO.	PART NO.	DESCRIPTION	Q'TY	REMARKS
1	43761-88L01-OEP	BRACKET, TILLER HANDLE (BLACK)	1	
2	63110-87L10-OEP	HANDLE ASSY, TILLER (BLACK)	1	
3	21110-88L00	LEVER, SHIFT	1	
4	23230-90J10	CABLE, SHIFT	1	
5	36620-87L00	WIRE ASSY, HARNESS	1	
6	37110-87L01	SWITCH ASSY, IGNITION	1	
7-1	37141-99E00	..KEY (931)	1	
7-2	37141-99E10	..KEY (932)	1	
7-3	37141-99E20	..KEY (933)	1	
7-4	37141-99E30	..KEY (934)	1	
7-5	37141-99E40	..KEY (935)	1	
7-6	37141-99E50	..KEY (936)	1	
7-7	37141-99E60	..KEY (937)	1	
7-8	37141-99E70	..KEY (938)	1	
7-9	37141-99E80	..KEY (939)	1	
7-10	37141-99E90	..KEY (940)	1	
7-11	37141-99EA0	..KEY (941)	1	
7-12	37141-99EB0	..KEY (942)	1	
8	37143-99E00	..CAP, KEY	1	
9	37149-93J00	..CAP, CYLINDER BODY	1	
10	37820-87L00	SWITCH ASSY, EMERGENCY	1	
11	37823-92E01	..PLATE, LOCK	1	
12	37826-92E00	..NUT	1	
13	38500-93J90	BUZZER	1	
14	37850-87L00	SWITCH ASSY, PTT	1	
15	37852-87J00	PLATE, TRIM SWITCH	1	
16	63121-88L00	COVER, UNDER	1	
17	63210-88L00	GRIP, HANDLE	1	
18	63221-88L00	SHAFT, THROTTLE	1	
19	63223-92D00	STOPPER, HANDLE ROD	1	
20	63225-88L00	BUSH, HANDLE ROD	1	
21	63227-93200	PIN, HANDLE ROD	1	
22	63235-88L00	PLATE, THROTTLE SHAFT	1	
23	63246-88L00	STOPPER THROTTLE ADJ	1	

FIG.129

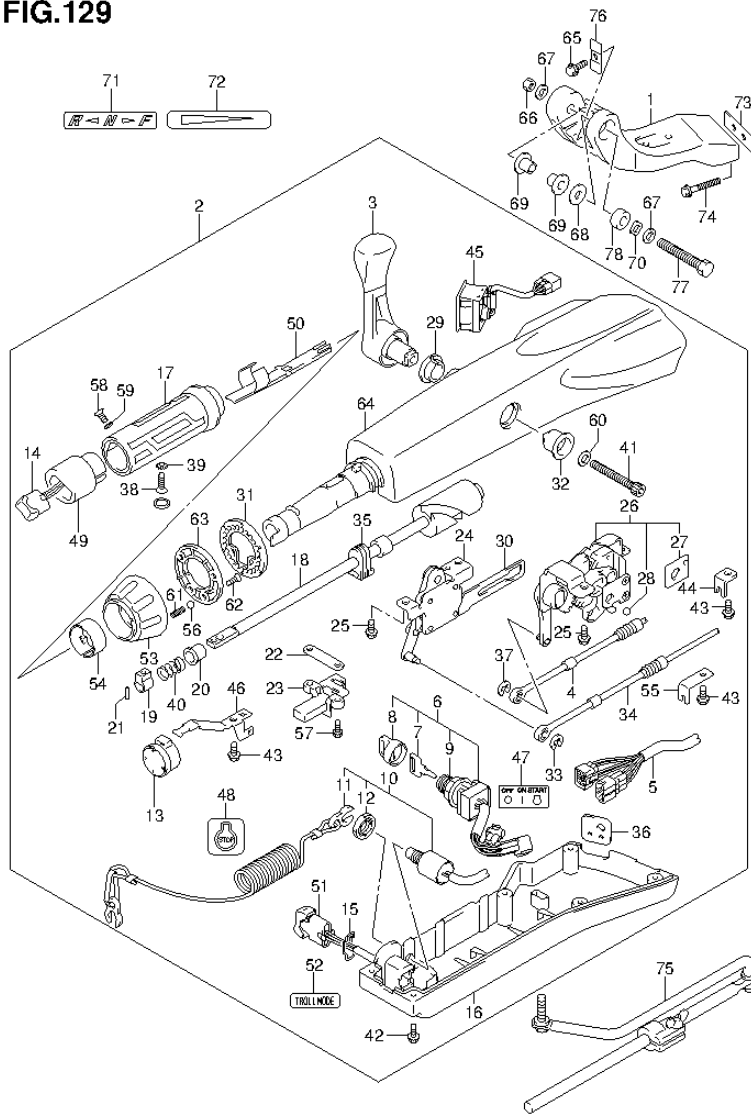
FIG.129 (2-B-7) TILLER HANDLE (DF90ATH E40)



REF NO.	PART NO.	DESCRIPTION	Q'TY	REMARKS
24	63250-88L00	.ARM ASSY, THROTTLE	1	
25	63251-87J00	.BOLT, SHIFT GEAR ASSY	4	
26	63260-88L00	.GEAR ASSY, SHIFT	1	
27	63272-87J00	.PLATE, BALL GUIDE	1	
28	63273-87J00	.BALL	1	
29	63262-87J00	.BUSH, SHIFT LEVER	1	
30	63271-87J00	.PLATE, LOCK	1	
31	63248-99J00	.PLATE, THROTTLE ADJ NOTCH	1	
32	63261-87J00	.BUSH, SHIFT GEAR	1	
33	63274-87J00	.E RING	1	
34	63610-87J00	.CABLE, THROTTLE	1	
35	37853-88L90	.GROMMET, PTT SWITCH LEAD	1	
36	63626-88L00	.GROMMET, WIRE HARNESS	1	
37	67292-87J00	.E RING	2	
38	09126-06015	.SCREW (6X23)	1	
39	09163-06001	.LOCK WASHER	1	
40	09440-12027	.SPRING	1	
41	21112-88L00	.BOLT SHIFT LEVER	1	
42	09125-05047	.SCREW (5X14)	6	
43	63611-88L00	.BOLT CLAMP BRACKET	3	
44	63612-87J00	.BRACKET, CLAMP	1	
45	34200-87L00	.TACHOMETER ASSY, WITH MONITOR	1	
46	36617-88L90	.CLAMP PLATE, MAIN HARNESS	1	
47	37112-88L90	.LABEL, IGNITION SWITCH	1	
48	37835-95D00	.LABEL, STOP	1	
49	37851-88L90	.BASE, PTT SWITCH	1	
50	37852-88L90	.HARNESS, GUIDE	1	
51	37861-87L10	.SWITCH, TROLLING CONTROL	1	
52	37864-88L90	.LABEL, TROLL MODE	1	
53	63244-99J00	.KNOB, THROTTLE ADJ	1	
54	63245-99J00	.BUSH, THROTTLE ADJ	1	
55	63612-88L10	.BRACKET, CLAMP SHIFT	1	

FIG.129

FIG.129 (2-B-8) TILLER HANDLE (DF90ATH E40)



REF NO.	PART NO.	DESCRIPTION	Q'TY	REMARKS
56	09260-10006	.BALL	1	
57	63251-88L90	.BOLT	2	
58	37855-88L90	.SCREW,THROTTLE GRIP	1	
59	37854-88L90	.WASHER,THROTTLE GRIP	1	
60	63258-88L00	.WASHER	1	
61	09440-06037	.SPRING	1	
62	03522-05169	.SCREW	3	
63	63247-99J00	.PLATE,THROTTLE ADJ KNOB	1	
64	63111-88L00-OEP	.HOUSING, TILLER HANDLE	1	
65	09116-08137	BOLT (8X22)	1	
66	09159-12014	NUT	1	
67	09160-12066	WASHER (12.5X22X2.5)	2	
68	09160-12124	WASHER (12.5X32X1.5)	1	
69	63115-88L00	BUSH, TILLER HANDLE PIVOT	2	
70	09164-13010	WAVE WASHER	1	
71	21131-88L00	MARK, CLUTCH SHIFT	1	
72	63215-93110	MARK, HANDLE GRIP	1	
73	43776-87L00	SPACER, STRG BRKT	1	
74	09116-10150	BOLT (10X55)	2	
75	43770-99E03	ADJUSTER ASSY, STEERING	1	
76	63132-88L00	STOPPER, TILLER HANDLE	1	
77	43762-88L00	BOLT TILLER HANDLE PIVOT	1	
78	43768-88L00	SPACER, TILLER HANDLE	1	

FIG.130

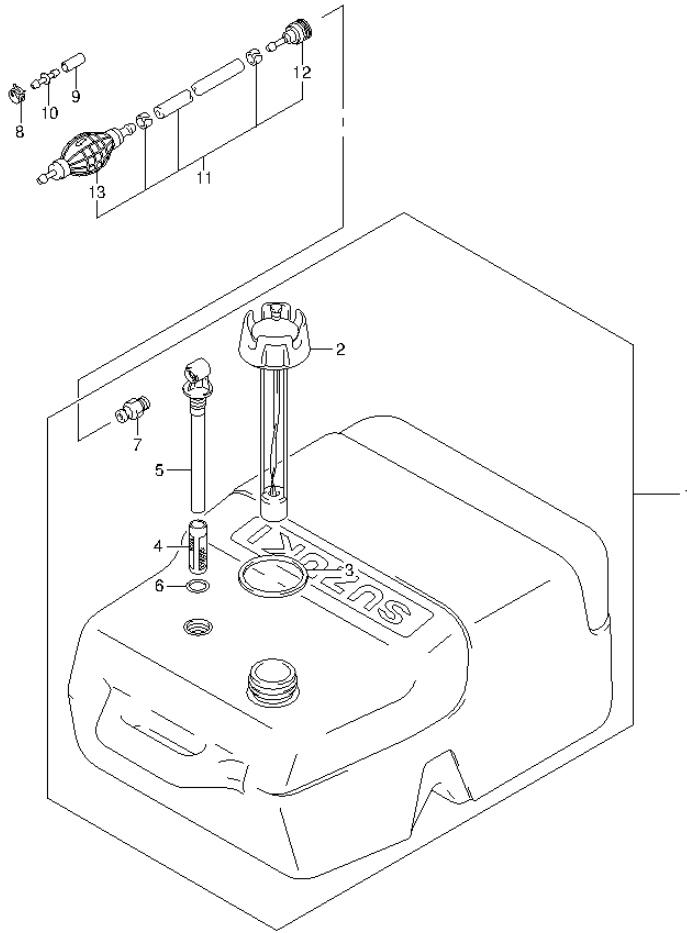


FIG.130 (2-B-9) FUEL TANK

REF NO.	PART NO.	DESCRIPTION	Q'TY	REMARKS
1	65000-95D01	TANK ASSY, FUEL (25L)	1	
2	65520-95D00	.CAP ASSY, FUEL TANK	1	
3	65561-95D00	.GASKET, TANK CAP	1	
4	65831-95D00	.FILTER, OUTLET	1	
5	65890-95D00	.OUTLET ASSY	1	
6	65892-95D00	.O RING, FUEL OUTLET	1	
7	65740-95D01	.PLUG, FUEL CONNECTOR	1	
8	09401-11423	CLIP	1	
9	09251-07003	CAP	1	
10	09367-08001	JOINT	1	
11	65700-90J14	HOSE, FUEL (TANK TO ENGINE)	1	
12	65750-95500	.SOCKET, FUEL HOSE	1	
13	65770-90J11	.PUMP, SQUEEZE	1	

FIG.131

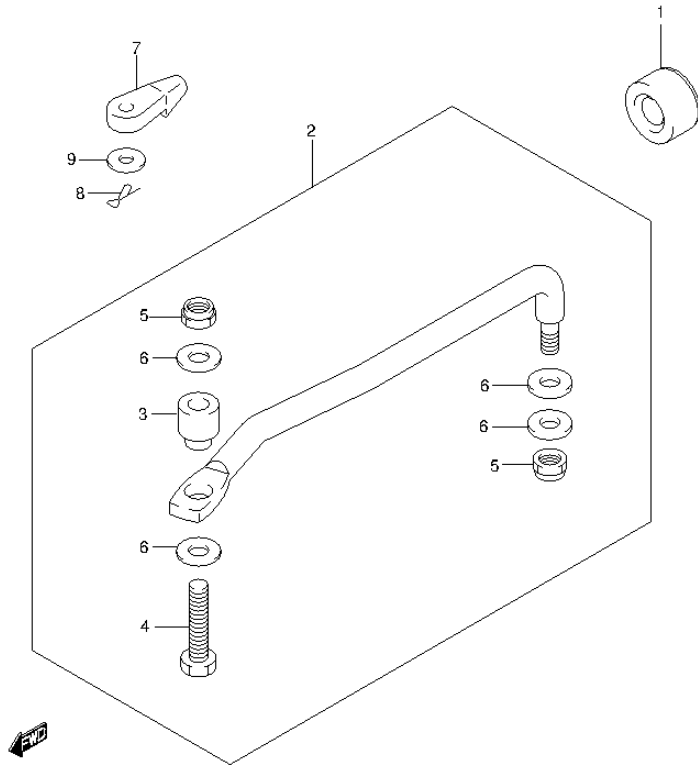


FIG.131 (2-B-10) DRAG LINK (DF70A E01)

REF NO.	PART NO.	DESCRIPTION	Q'TY	REMARKS
1	41161-94400	SEAL, STEERING CABLE	1	
2	67701-87L01	LINK, DRAG	1	
3	67721-87L00	.SPACER	1	
4	67725-99E10	.BOLT, DRAG LINK	1	
5	67726-99E00	.NUT	2	
6	67728-99E00	.WASHER	4	
7	67467-89J01	CONNECTOR, REMOCON CABLE	2	
8	09385-06012	CLIP	2	
9	09160-06055	WASHER (7X12X1)	2	

FIG.132

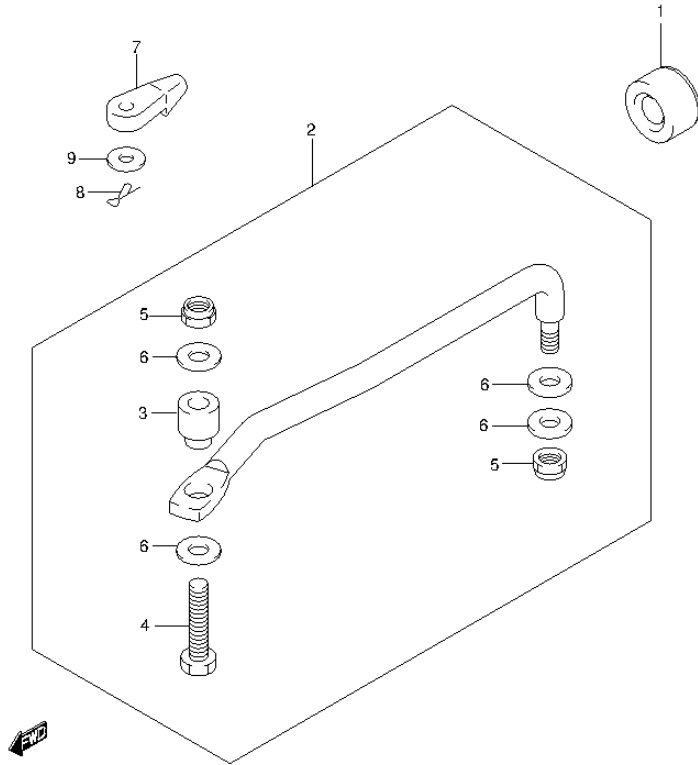


FIG.132 (2-B-11) DRAG LINK (DF70A E40)

REF NO.	PART NO.	DESCRIPTION	Q'TY	REMARKS
1	41161-94400	SEAL, STEERING CABLE	1	
2	67701-87L01	LINK, DRAG	1	
3	67721-87L00	.SPACER	1	
4	67725-99E10	.BOLT, DRAG LINK	1	
5	67726-99E00	.NUT	2	
6	67728-99E00	.WASHER	4	
7	67467-89J01	CONNECTOR, REMOCON CABLE	2	
8	09385-06012	CLIP	2	
9	09160-06055	WASHER (7X12X1)	2	

FIG.133

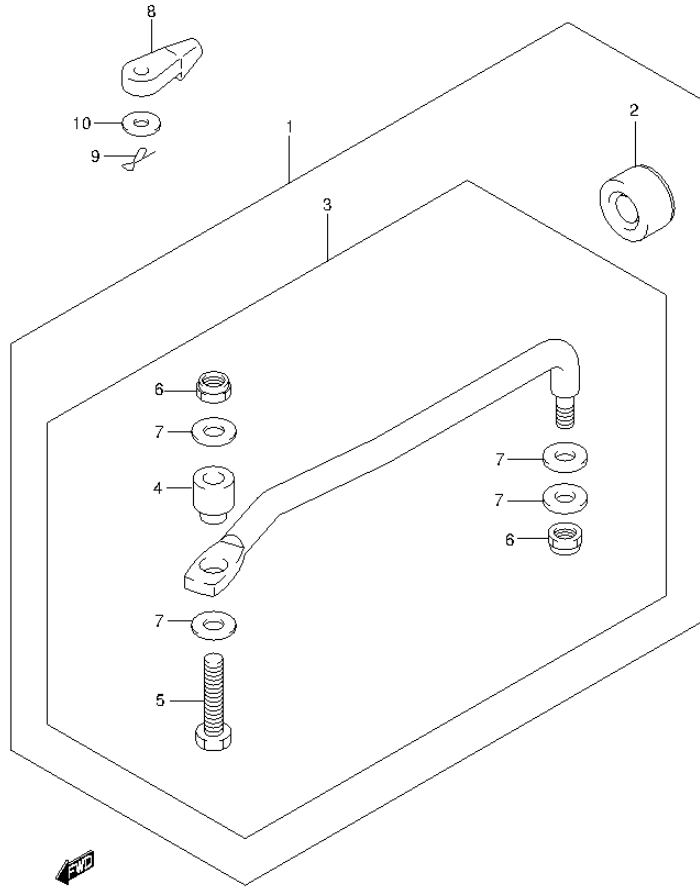


FIG.133 (2-B-12) DRAG LINK (DF70ATH E01)

REF NO.	PART NO.	DESCRIPTION	Q'TY	REMARKS
1	67700-87L01	LINK SET, DRAG	1	OPT
2	41161-94400	..SEAL, STEERING CABLE	1	OPT
3	67701-87L01	..LINK, DRAG	1	OPT
4	67721-87L00	..SPACER	1	OPT
5	67725-99E10	..BOLT, DRAG LINK	1	OPT
6	67726-99E00	..NUT	2	OPT
7	67728-99E00	..WASHER	4	OPT
8	67467-89J01	CONNECTOR, REMOCON CABLE	2	
9	09385-06012	CLIP	2	
10	09160-06055	WASHER (7X12X1)	2	

FIG.134

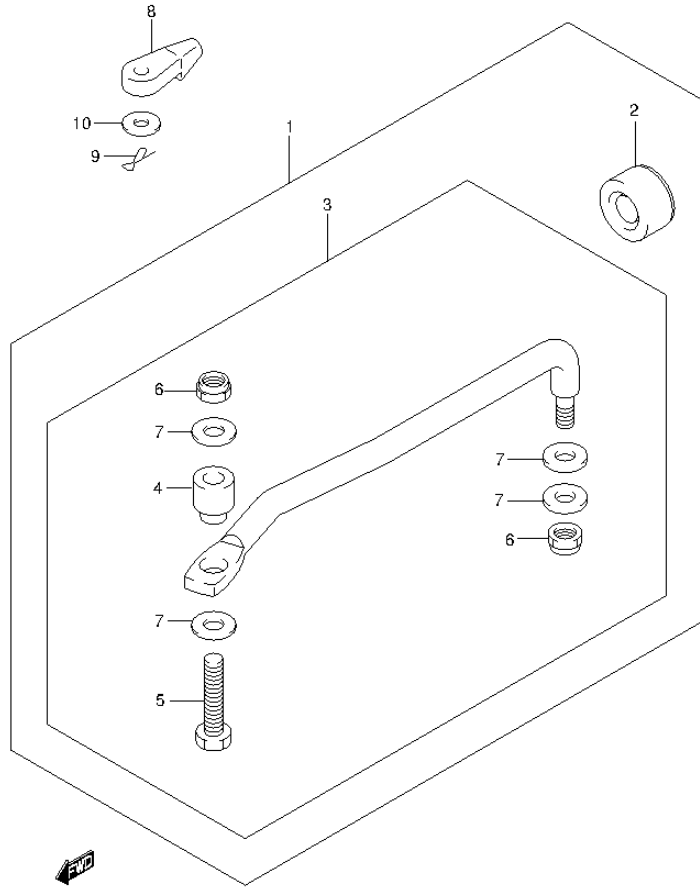


FIG.134 (2-B-13) DRAG LINK (DF70ATH E40)

REF NO.	PART NO.	DESCRIPTION	Q'TY	REMARKS
1	67700-87L01	LINK SET, DRAG	1	OPT
2	41161-94400	..SEAL, STEERING CABLE	1	OPT
3	67701-87L01	..LINK, DRAG	1	OPT
4	67721-87L00	..SPACER	1	OPT
5	67725-99E10	..BOLT, DRAG LINK	1	OPT
6	67726-99E00	..NUT	2	OPT
7	67728-99E00	..WASHER	4	OPT
8	67467-89J01	CONNECTOR, REMOCON CABLE	2	
9	09385-06012	CLIP	2	
10	09160-06055	WASHER (7X12X1)	2	

FIG.135

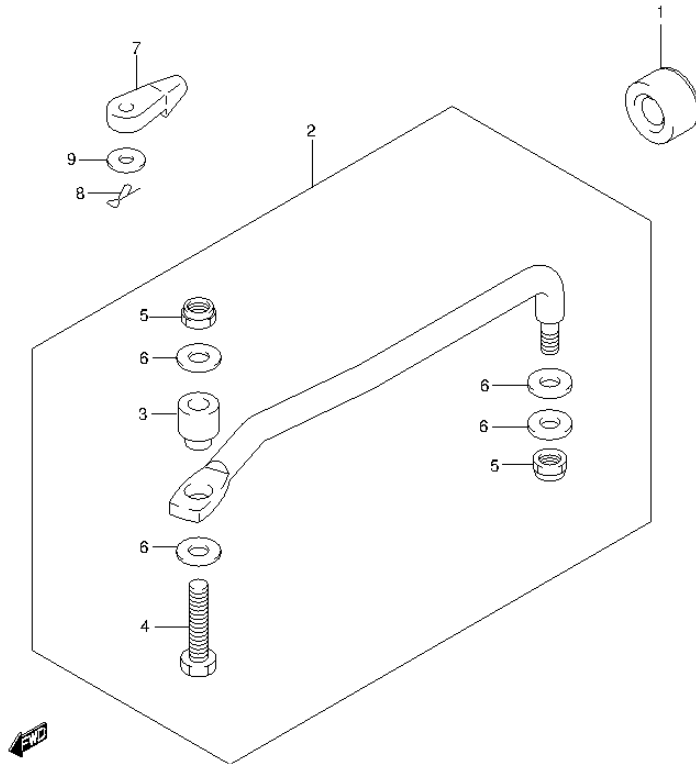


FIG.135 (2-B-14) DRAG LINK (DF80A E01)

REF NO.	PART NO.	DESCRIPTION	Q'TY	REMARKS
1	41161-94400	SEAL, STEERING CABLE	1	
2	67701-87L01	LINK, DRAG	1	
3	67721-87L00	.SPACER	1	
4	67725-99E10	.BOLT, DRAG LINK	1	
5	67726-99E00	.NUT	2	
6	67728-99E00	.WASHER	4	
7	67467-89J01	CONNECTOR, REMOCON CABLE	2	
8	09385-06012	CLIP	2	
9	09160-06055	WASHER (7X12X1)	2	

FIG.136

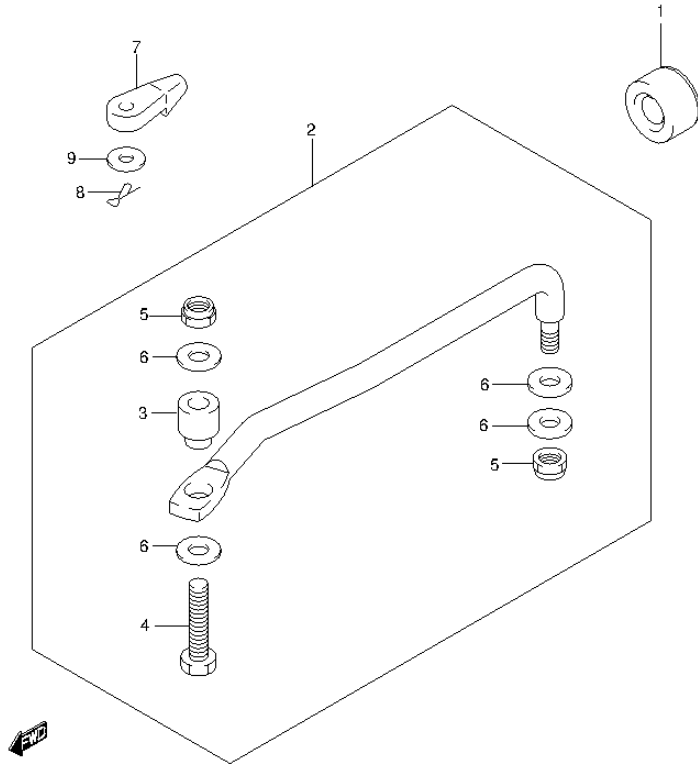


FIG.136 (2-B-15) DRAG LINK (DF80A E40)

REF NO.	PART NO.	DESCRIPTION	Q'TY	REMARKS
1	41161-94400	SEAL, STEERING CABLE	1	
2	67701-87L01	LINK, DRAG	1	
3	67721-87L00	.SPACER	1	
4	67725-99E10	.BOLT, DRAG LINK	1	
5	67726-99E00	.NUT	2	
6	67728-99E00	.WASHER	4	
7	67467-89J01	CONNECTOR, REMOCON CABLE	2	
8	09385-06012	CLIP	2	
9	09160-06055	WASHER (7X12X1)	2	

FIG.137

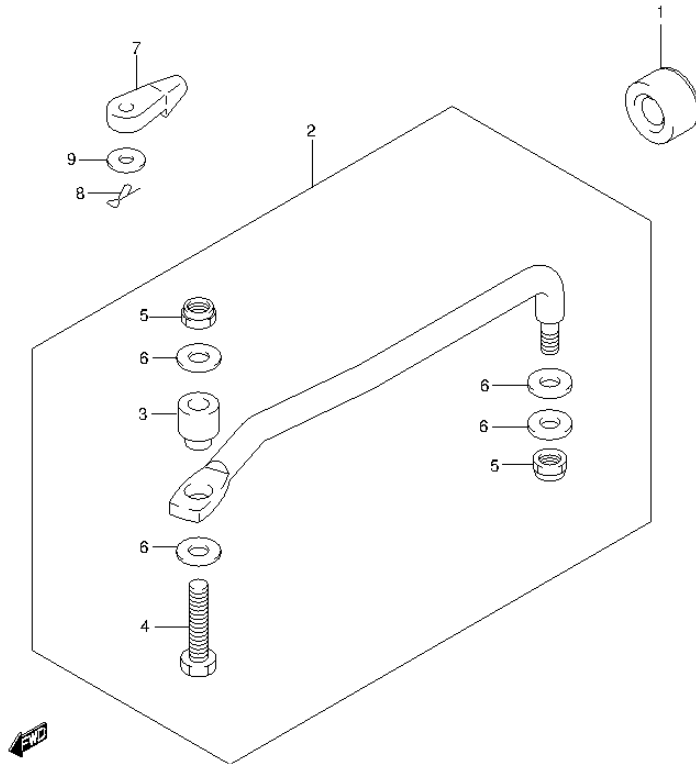


FIG.137 (2-C-2) DRAG LINK (DF90A E01)

REF NO.	PART NO.	DESCRIPTION	Q'TY	REMARKS
1	41161-94400	SEAL, STEERING CABLE	1	
2	67701-87L01	LINK, DRAG	1	
3	67721-87L00	.SPACER	1	
4	67725-99E10	.BOLT, DRAG LINK	1	
5	67726-99E00	.NUT	2	
6	67728-99E00	.WASHER	4	
7	67467-89J01	CONNECTOR, REMOCON CABLE	2	
8	09385-06012	CLIP	2	
9	09160-06055	WASHER (7X12X1)	2	

FIG.138

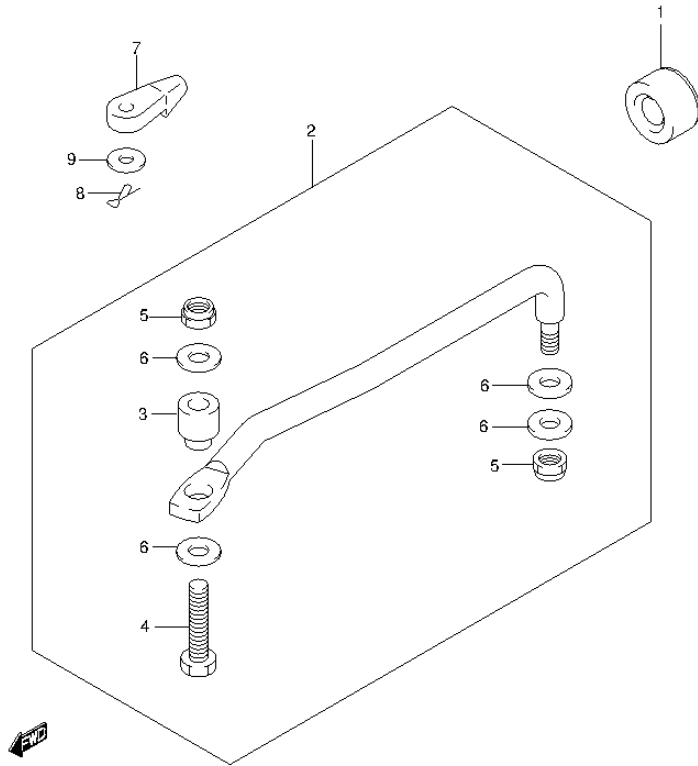


FIG.138 (2-C-3) DRAG LINK (DF90A E40)

REF NO.	PART NO.	DESCRIPTION	Q'TY	REMARKS
1	41161-94400	SEAL, STEERING CABLE	1	
2	67701-87L01	LINK, DRAG	1	
3	67721-87L00	.SPACER	1	
4	67725-99E10	.BOLT, DRAG LINK	1	
5	67726-99E00	.NUT	2	
6	67728-99E00	.WASHER	4	
7	67467-89J01	CONNECTOR, REMOCON CABLE	2	
8	09385-06012	CLIP	2	
9	09160-06055	WASHER (7X12X1)	2	

FIG.139

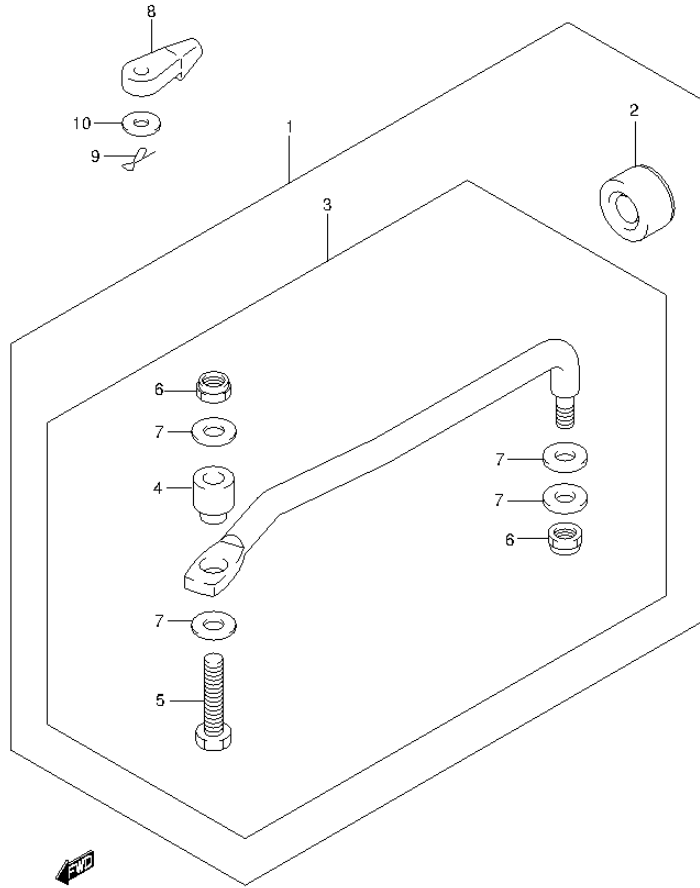


FIG.139 (2-C-4) DRAG LINK (DF90ATH E01)

REF NO.	PART NO.	DESCRIPTION	Q'TY	REMARKS
1	67700-87L01	LINK SET, DRAG	1	OPT
2	41161-94400	.SEAL, STEERING CABLE	1	OPT
3	67701-87L01	.LINK, DRAG	1	OPT
4	67721-87L00	..SPACER	1	OPT
5	67725-99E10	..BOLT, DRAG LINK	1	OPT
6	67726-99E00	..NUT	2	OPT
7	67728-99E00	..WASHER	4	OPT
8	67467-89J01	CONNECTOR, REMOCON CABLE	2	
9	09385-06012	CLIP	2	
10	09160-06055	WASHER (7X12X1)	2	

FIG.140

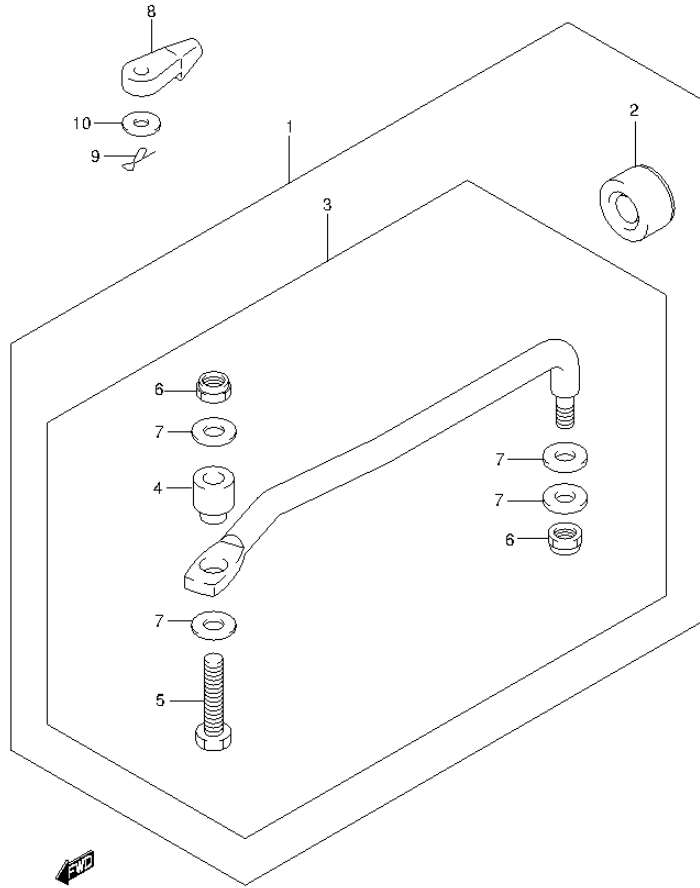


FIG.140 (2-C-5) DRAG LINK (DF90ATH E40)

REF NO.	PART NO.	DESCRIPTION	Q'TY	REMARKS
1	67700-87L01	LINK SET, DRAG	1	OPT
2	41161-94400	.SEAL, STEERING CABLE	1	OPT
3	67701-87L01	.LINK, DRAG	1	OPT
4	67721-87L00	..SPACER	1	OPT
5	67725-99E10	..BOLT, DRAG LINK	1	OPT
6	67726-99E00	..NUT	2	OPT
7	67728-99E00	..WASHER	4	OPT
8	67467-89J01	CONNECTOR, REMOCON CABLE	2	
9	09385-06012	CLIP	2	
10	09160-06055	WASHER (7X12X1)	2	

FIG.141

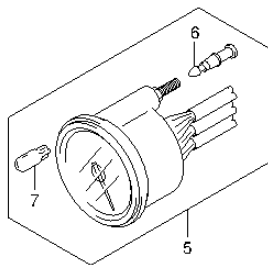
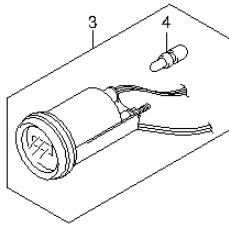
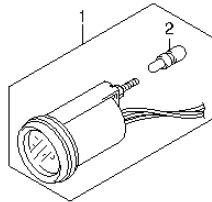


FIG.141 (2-C-6) METER (DF70A E01)

REF NO.	PART NO.	DESCRIPTION	Q'TY	REMARKS
1-1	34800-93J00	METER ASSY, TRIM	1	BLACK
1-2	34800-93J11	METER ASSY, TRIM	1	WHITE
2	09471-12103	.BULB (12V,3W,T6.5)	1	
3-1	34500-93J00	METER ASSY, HOUR	1	BLACK
3-2	34500-93J11	METER ASSY, HOUR	1	WHITE
4	09471-12103	.BULB (12V,3W,T6.5)	1	
5-1	34200-93J00	TACHOMETER ASSY, WITH MONITOR	1	BLACK
5-2	34200-93J11	TACHOMETER ASSY, WITH MONITOR	1	WHITE
6	36615-96300	.TERMINAL, RESIN	4	
7	09471-12077	.BULB (12V, 1.7W)	1	

FIG.142

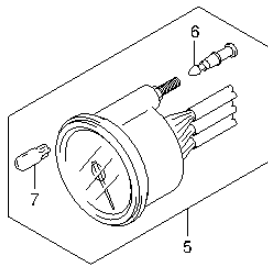
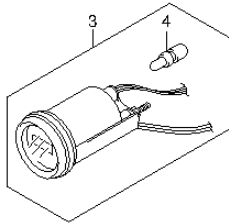
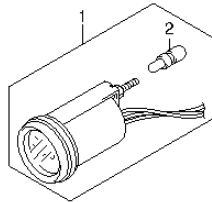


FIG.142 (2-C-7) METER (DF70A E40)

REF NO.	PART NO.	DESCRIPTION	Q'TY	REMARKS
1-1	34800-93J00	METER ASSY, TRIM	1	BLACK
1-2	34800-93J11	METER ASSY, TRIM	1	WHITE
2	09471-12103	.BULB (12V,3W,T6.5)	1	
3-1	34500-93J00	METER ASSY, HOUR	1	BLACK
3-2	34500-93J11	METER ASSY, HOUR	1	WHITE
4	09471-12103	.BULB (12V,3W,T6.5)	1	
5-1	34200-93J00	TACHOMETER ASSY, WITH MONITOR	1	BLACK
5-2	34200-93J11	TACHOMETER ASSY, WITH MONITOR	1	WHITE
6	36615-96300	.TERMINAL, RESIN	4	
7	09471-12077	.BULB (12V, 1.7W)	1	

FIG.143

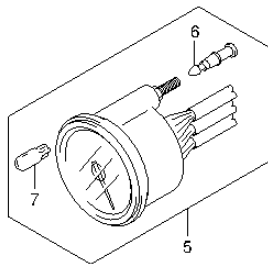
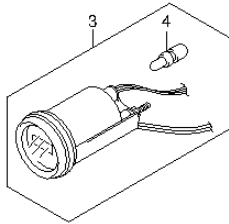
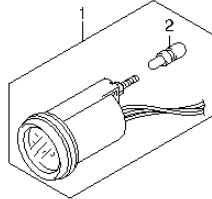


FIG.143 (2-C-8) METER (DF80A E01)

REF NO.	PART NO.	DESCRIPTION	Q'TY	REMARKS
1-1	34800-93J00	METER ASSY, TRIM	1	BLACK
1-2	34800-93J11	METER ASSY, TRIM	1	WHITE
2	09471-12103	.BULB (12V,3W,T6.5)	1	
3-1	34500-93J00	METER ASSY, HOUR	1	BLACK
3-2	34500-93J11	METER ASSY, HOUR	1	WHITE
4	09471-12103	.BULB (12V,3W,T6.5)	1	
5-1	34200-93J00	TACHOMETER ASSY, WITH MONITOR	1	BLACK
5-2	34200-93J11	TACHOMETER ASSY, WITH MONITOR	1	WHITE
6	36615-96300	.TERMINAL, RESIN	4	
7	09471-12077	.BULB (12V, 1.7W)	1	

FIG.144

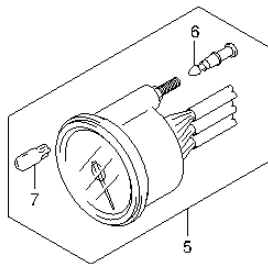
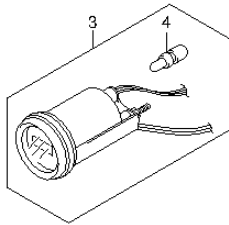
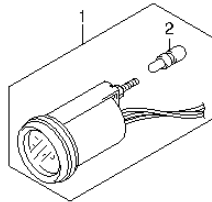


FIG.144 (2-C-9) METER (DF80A E40)

REF NO.	PART NO.	DESCRIPTION	Q'TY	REMARKS
1-1	34800-93J00	METER ASSY, TRIM	1	BLACK
1-2	34800-93J11	METER ASSY, TRIM	1	WHITE
2	09471-12103	.BULB (12V,3W,T6.5)	1	
3-1	34500-93J00	METER ASSY, HOUR	1	BLACK
3-2	34500-93J11	METER ASSY, HOUR	1	WHITE
4	09471-12103	.BULB (12V,3W,T6.5)	1	
5-1	34200-93J00	TACHOMETER ASSY, WITH MONITOR	1	BLACK
5-2	34200-93J11	TACHOMETER ASSY, WITH MONITOR	1	WHITE
6	36615-96300	.TERMINAL, RESIN	4	
7	09471-12077	.BULB (12V, 1.7W)	1	

FIG.145

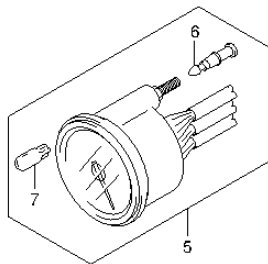
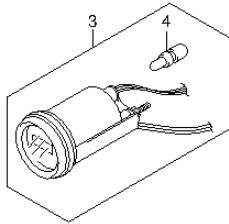
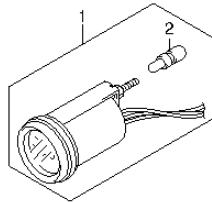


FIG.145 (2-C-10) METER (DF90A E01)

REF NO.	PART NO.	DESCRIPTION	Q'TY	REMARKS
1-1	34800-93J00	METER ASSY, TRIM	1	BLACK
1-2	34800-93J11	METER ASSY, TRIM	1	WHITE
2	09471-12103	.BULB (12V,3W,T6.5)	1	
3-1	34500-93J00	METER ASSY, HOUR	1	BLACK
3-2	34500-93J11	METER ASSY, HOUR	1	WHITE
4	09471-12103	.BULB (12V,3W,T6.5)	1	
5-1	34200-93J00	TACHOMETER ASSY, WITH MONITOR	1	BLACK
5-2	34200-93J11	TACHOMETER ASSY, WITH MONITOR	1	WHITE
6	36615-96300	.TERMINAL, RESIN	4	
7	09471-12077	.BULB (12V, 1.7W)	1	

FIG.146

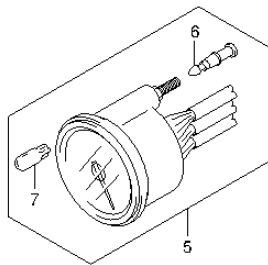
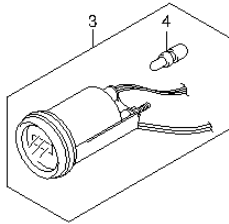
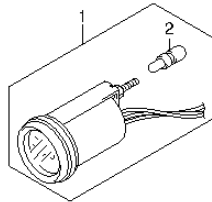


FIG.146 (2-C-11) METER (DF90A E40)

REF NO.	PART NO.	DESCRIPTION	Q'TY	REMARKS
1-1	34800-93J00	METER ASSY, TRIM	1	BLACK
1-2	34800-93J11	METER ASSY, TRIM	1	WHITE
2	09471-12103	.BULB (12V,3W,T6.5)	1	
3-1	34500-93J00	METER ASSY, HOUR	1	BLACK
3-2	34500-93J11	METER ASSY, HOUR	1	WHITE
4	09471-12103	.BULB (12V,3W,T6.5)	1	
5-1	34200-93J00	TACHOMETER ASSY, WITH MONITOR	1	BLACK
5-2	34200-93J11	TACHOMETER ASSY, WITH MONITOR	1	WHITE
6	36615-96300	.TERMINAL, RESIN	4	
7	09471-12077	.BULB (12V, 1.7W)	1	

FIG.147

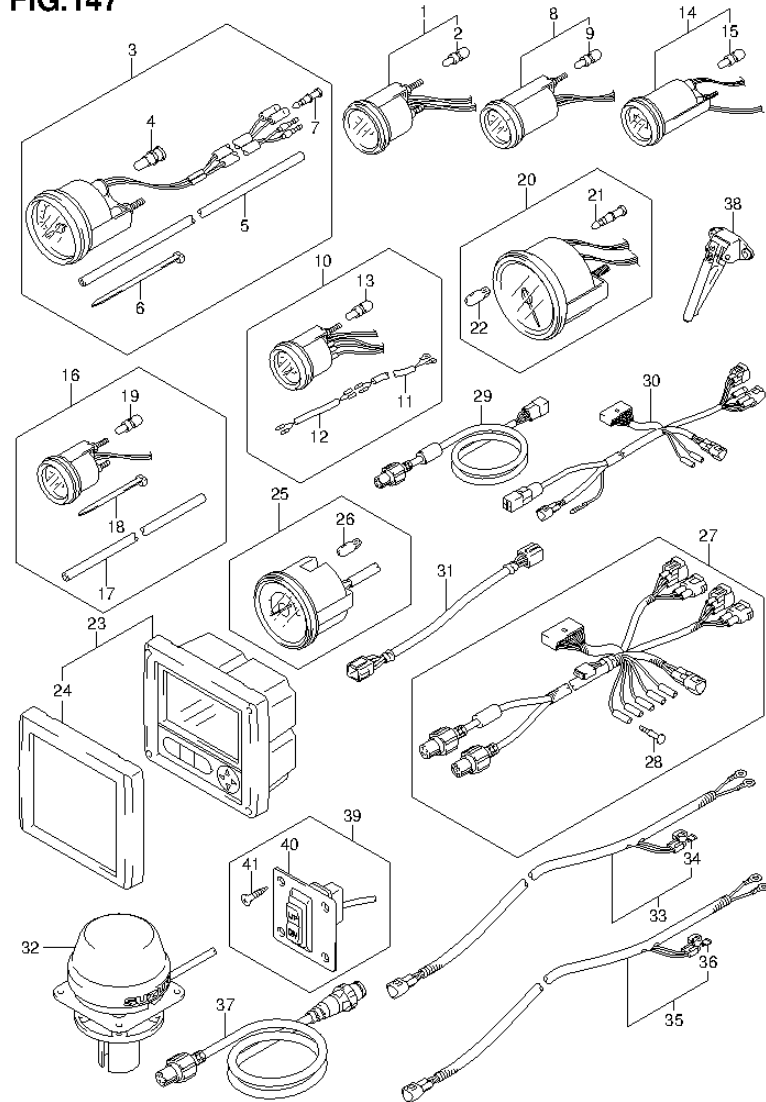


FIG.147 (2-C-12) OPT:METER (DF70A E01)

REF NO.	PART NO.	DESCRIPTION	Q'TY	REMARKS
1-1	34800-93J00	METER ASSY, TRIM	1	BLACK
1-2	34800-93J11	METER ASSY, TRIM	1	WHITE
2	09471-12103	.BULB (12V,3W,T6.5)	1	
3-1	34100-93J00	SPEEDOMETER ASSY	1	MAX 130KM/H BLACK
3-2	34100-93J11	SPEEDOMETER ASSY	1	MAX 130KM/H WHITE
3-3	34100-93J20	SPEEDOMETER ASSY	1	MAX 80KM/H BLACK
3-4	34100-93J31	SPEEDOMETER ASSY	1	MAX 80KM/H WHITE
3-5	34100-93J40	SPEEDOMETER ASSY	1	MAX 45KNOTS BLACK
3-6	34100-93J51	SPEEDOMETER ASSY	1	MAX 45KNOTS WHITE
3-7	34100-93J60	SPEEDOMETER ASSY	1	MAX 65KNOTS WHITE
4	09471-12028	.BULB (12V, 3.4W)	1	
5	34191-92E00	.TUBE	1	
6	09407-14407	.CLAMP (L:145)	2	
7	36615-96300	.TERMINAL, RESIN	2	
8-1	34600-93J00	METER ASSY, VOLTAGE	1	BLACK
8-2	34600-93J11	METER ASSY, VOLTAGE	1	WHITE
9	09471-12103	.BULB (12V,3W,T6.5)	1	
10-1	34300-93J00	GAUGE ASSY, FUEL	1	BLACK
10-2	34300-93J11	GAUGE ASSY, FUEL	1	WHITE
11	34310-92E00	.LEAD, FUEL GAUGE	1	
12	34360-92E00	.ADAPTER, FUEL GAUGE	1	
13	09471-12103	.BULB (12V,3W,T6.5)	1	
14-1	34500-93J00	METER ASSY, HOUR	1	BLACK
14-2	34500-93J11	METER ASSY, HOUR	1	WHITE
15	09471-12103	.BULB (12V,3W,T6.5)	1	
16-1	34650-93J20	GAUGE ASSY, WATER PRESSURE	1	15PSI BLACK
16-2	34650-93J31	GAUGE ASSY, WATER PRESSURE	1	15PSI WHITE
17	34191-92E00	.TUBE	1	
18	09407-14407	.CLAMP (L:145)	2	
19	09471-12103	.BULB (12V,3W,T6.5)	1	
20-1	34200-93J00	TACHOMETER ASSY, WITH MONITOR	1	BLACK
20-2	34200-93J11	TACHOMETER ASSY, WITH MONITOR	1	WHITE
21	36615-96300	.TERMINAL, RESIN	4	
22	09471-12077	.BULB (12V, 1.7W)	1	

FIG.147

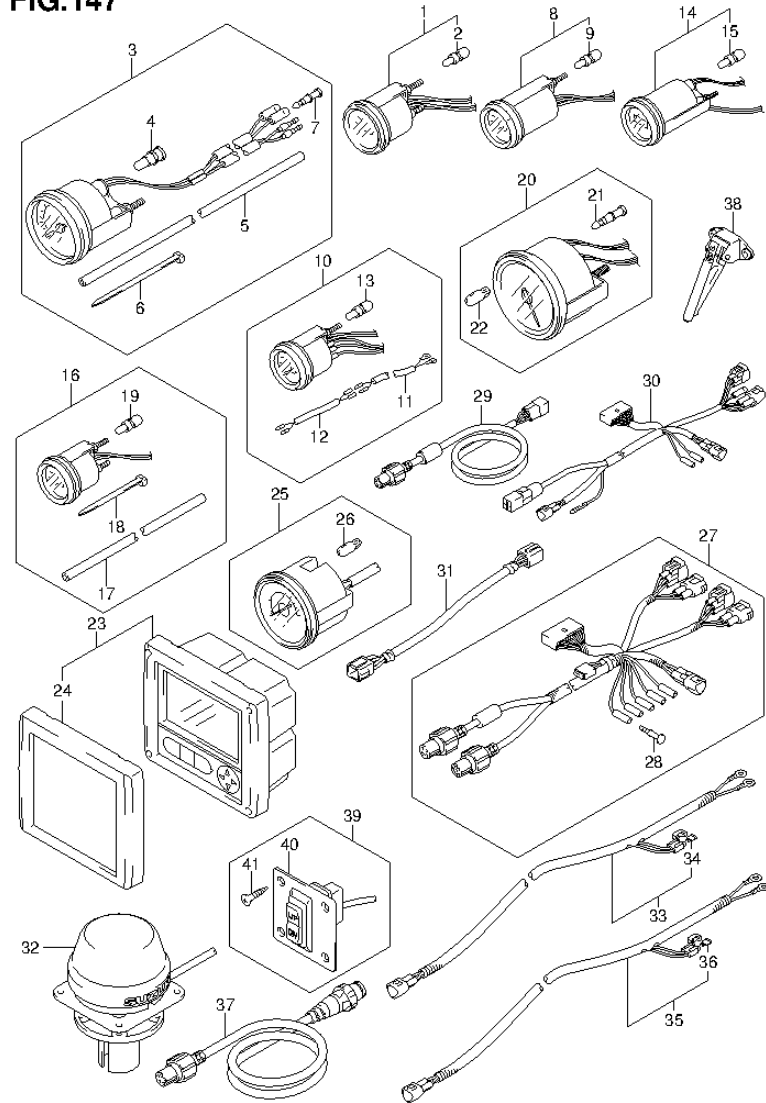


FIG.147 (2-C-13) OPT:METER (DF70A E01)

REF NO.	PART NO.	DESCRIPTION	Q'TY	REMARKS
23	34200-87L12	GAUGE ASSY, MULTI	1	
24	34211-87L00	.COVER, FRONT	1	
25-1	34200-93J40	TACHOMETER ASSY, WITH MONITOR	1	BLACK
25-2	34200-93J50	TACHOMETER ASSY, WITH MONITOR	1	WHITE
26	09471-12077	.BULB (12V, 1.7W)	1	
27	36661-87L00	ADAPTER, GAUGE	1	
28	36615-96300	.TERMINAL, RESIN	5	
29	36664-87L00	ADAPTER, GAUGE DUAL STATION	1	
30	36665-87L00	ADAPTER, GAUGE FOR MULTI	1	
31	36682-92E00	WIRE, TRIM METER	1	
32	39950-87L00	MODULE ASSY, GPS RECIVER	1	
33	36663-98J00	WIRE, GAUGE POWER	1	
34	09481-05501	.FUSE (5A)	1	
35	36663-98J10	WIRE, GAUGE POWER	1	
36	09481-05501	.FUSE (5A)	1	
37	36666-87L00	WIRE, NETWORK	1	
38	34190-87D00	SENDER ASSY, SPEEDOMETER	1	
39	37860-87L00	PANEL ASSY, TROLLING CONTROL	1	
40	37862-87L00	.PANEL	1	
41	09131-05004	.SCREW	4	

FIG.148

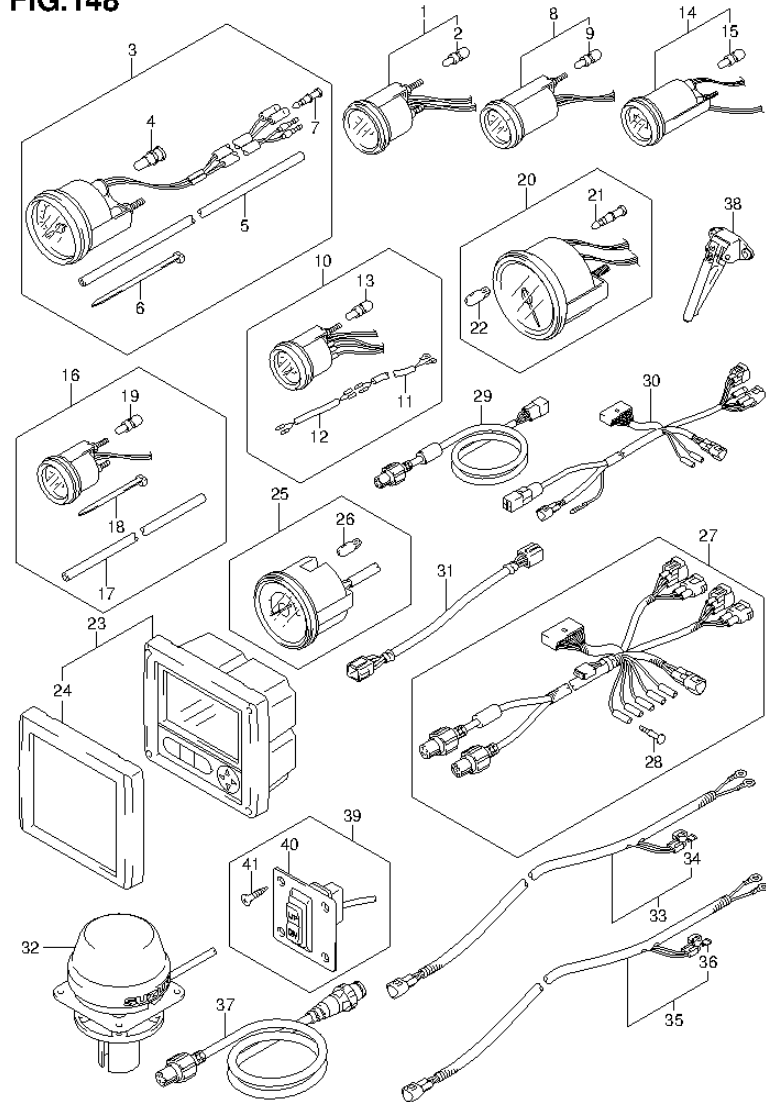


FIG.148 (2-C-14) OPT:METER (DF70A E40)

REF NO.	PART NO.	DESCRIPTION	Q'TY	REMARKS
1-1	34800-93J00	METER ASSY, TRIM	1	BLACK
1-2	34800-93J11	METER ASSY, TRIM	1	WHITE
2	09471-12103	.BULB (12V,3W,T6.5)	1	
3-1	34100-93J00	SPEEDOMETER ASSY	1	MAX 130KM/H BLACK
3-2	34100-93J11	SPEEDOMETER ASSY	1	MAX 130KM/H WHITE
3-3	34100-93J20	SPEEDOMETER ASSY	1	MAX 80KM/H BLACK
3-4	34100-93J31	SPEEDOMETER ASSY	1	MAX 80KM/H WHITE
3-5	34100-93J40	SPEEDOMETER ASSY	1	MAX 45KNOTS BLACK
3-6	34100-93J51	SPEEDOMETER ASSY	1	MAX 45KNOTS WHITE
3-7	34100-93J60	SPEEDOMETER ASSY	1	MAX 65KNOTS WHITE
4	09471-12028	.BULB (12V, 3.4W)	1	
5	34191-92E00	.TUBE	1	
6	09407-14407	.CLAMP (L:145)	2	
7	36615-96300	.TERMINAL, RESIN	2	
8-1	34600-93J00	METER ASSY, VOLTAGE	1	BLACK
8-2	34600-93J11	METER ASSY, VOLTAGE	1	WHITE
9	09471-12103	.BULB (12V,3W,T6.5)	1	
10-1	34300-93J00	GAUGE ASSY, FUEL	1	BLACK
10-2	34300-93J11	GAUGE ASSY, FUEL	1	WHITE
11	34310-92E00	.LEAD, FUEL GAUGE	1	
12	34360-92E00	.ADAPTER, FUEL GAUGE	1	
13	09471-12103	.BULB (12V,3W,T6.5)	1	
14-1	34500-93J00	METER ASSY, HOUR	1	BLACK
14-2	34500-93J11	METER ASSY, HOUR	1	WHITE
15	09471-12103	.BULB (12V,3W,T6.5)	1	
16-1	34650-93J20	GAUGE ASSY, WATER PRESSURE	1	15PSI BLACK
16-2	34650-93J31	GAUGE ASSY, WATER PRESSURE	1	15PSI WHITE
17	34191-92E00	.TUBE	1	
18	09407-14407	.CLAMP (L:145)	2	
19	09471-12103	.BULB (12V,3W,T6.5)	1	
20-1	34200-93J00	TACHOMETER ASSY, WITH MONITOR	1	BLACK
20-2	34200-93J11	TACHOMETER ASSY, WITH MONITOR	1	WHITE
21	36615-96300	.TERMINAL, RESIN	4	
22	09471-12077	.BULB (12V, 1.7W)	1	

FIG.148

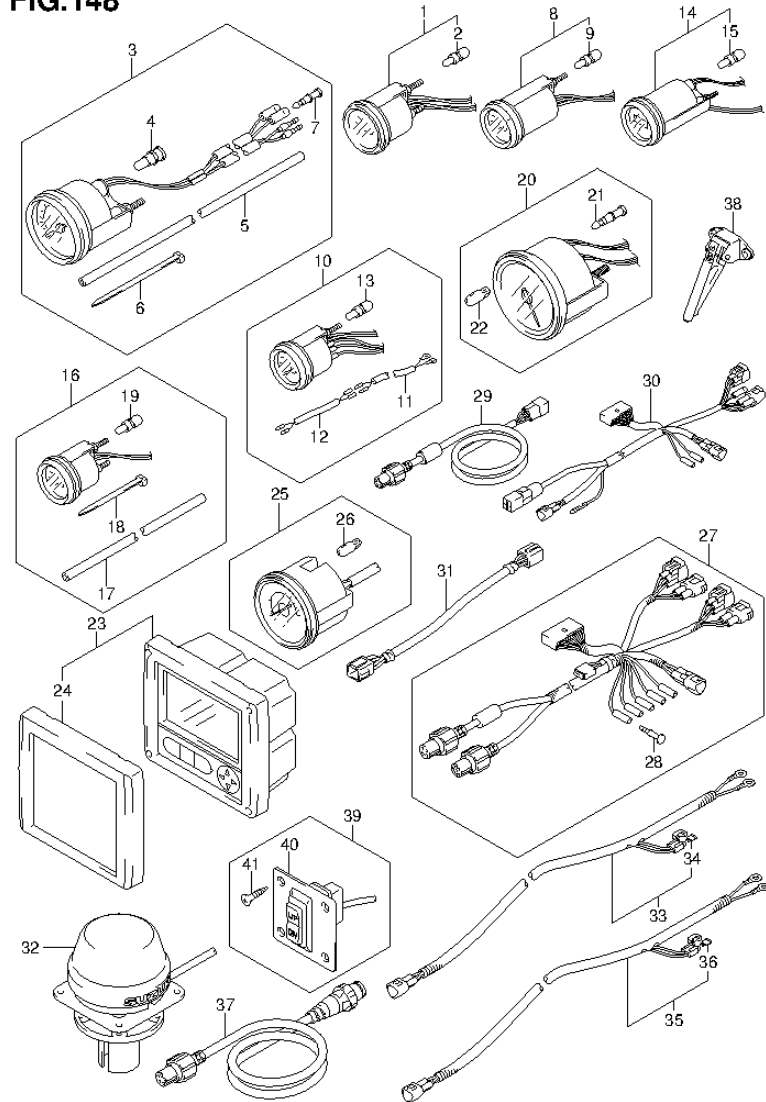


FIG.148 (2-C-15) OPT:METER (DF70A E40)

REF NO.	PART NO.	DESCRIPTION	Q'TY	REMARKS
23	34200-87L12	GAUGE ASSY, MULTI	1	
24	34211-87L00	.COVER, FRONT	1	
25-1	34200-93J40	TACHOMETER ASSY, WITH MONITOR	1	BLACK
25-2	34200-93J50	TACHOMETER ASSY, WITH MONITOR	1	WHITE
26	09471-12077	.BULB (12V, 1.7W)	1	
27	36661-87L00	ADAPTER, GAUGE	1	
28	36615-96300	.TERMINAL, RESIN	5	
29	36664-87L00	ADAPTER, GAUGE DUAL STATION	1	
30	36665-87L00	ADAPTER, GAUGE DUAL MULTI	1	
31	36682-92E00	WIRE, TRIM METER	1	
32	39950-87L00	MODULE ASSY, GPS RECIVER	1	
33	36663-98J00	WIRE, GAUGE POWER	1	
34	09481-05501	.FUSE (5A)	1	
35	36663-98J10	WIRE, GAUGE POWER	1	
36	09481-05501	.FUSE (5A)	1	
37	36666-87L00	WIRE, NETWORK	1	
38	34190-87D00	SENDER ASSY, SPEEDOMETER	1	
39	37860-87L00	PANEL ASSY, TROLLING CONTROL	1	
40	37862-87L00	.PANEL	1	
41	09131-05004	.SCREW	4	

FIG.149

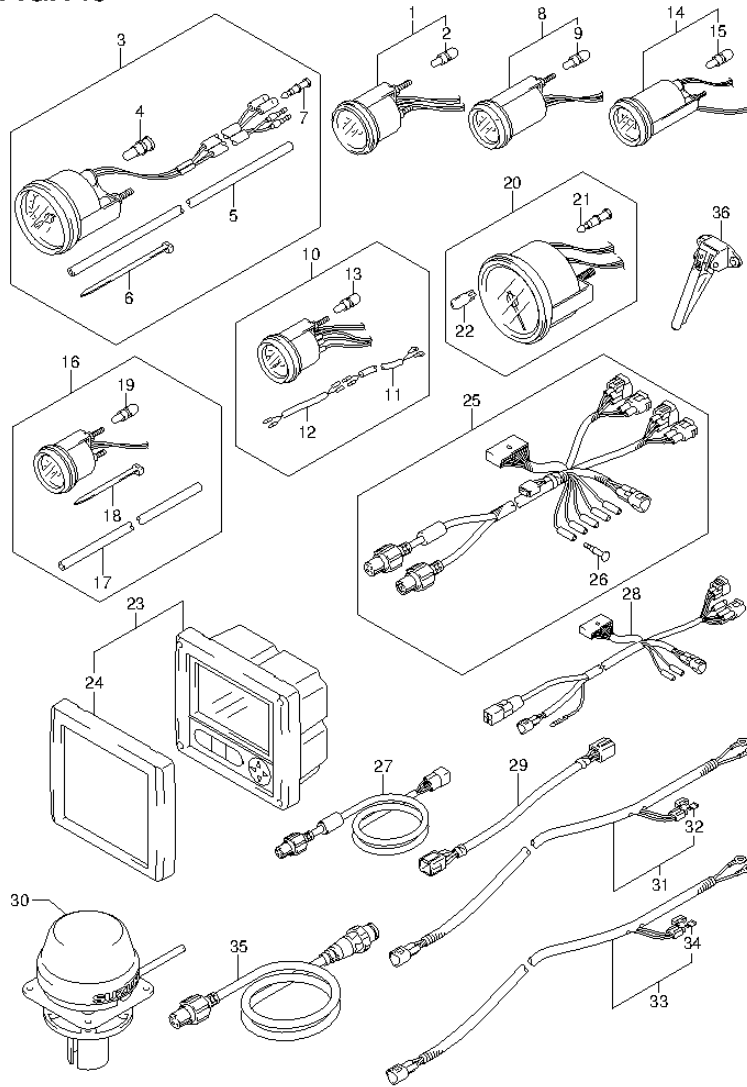


FIG.149 (2-D-2) OPT:METER (DF70ATH E01)

REF NO.	PART NO.	DESCRIPTION	Q'TY	REMARKS
1-1	34800-93J00	METER ASSY, TRIM	1	BLACK
1-2	34800-93J11	METER ASSY, TRIM	1	WHITE
2	09471-12103	.BULB (12V,3W,T6.5)	1	
3-1	34100-93J00	SPEEDOMETER ASSY	1	MAX 130KM/H BLACK
3-2	34100-93J11	SPEEDOMETER ASSY	1	MAX 130KM/H WHITE
3-3	34100-93J20	SPEEDOMETER ASSY	1	MAX 80KM/H BLACK
3-4	34100-93J31	SPEEDOMETER ASSY	1	MAX 80KM/H WHITE
3-5	34100-93J40	SPEEDOMETER ASSY	1	MAX 45KNOTS BLACK
3-6	34100-93J51	SPEEDOMETER ASSY	1	MAX 45KNOTS WHITE
3-7	34100-93J60	SPEEDOMETER ASSY	1	MAX 65KNOTS WHITE
4	09471-12028	.BULB (12V, 3.4W)	1	
5	34191-92E00	.TUBE	1	
6	09407-14407	.CLAMP (L:145)	2	
7	36615-96300	.TERMINAL, RESIN	2	
8-1	34600-93J00	METER ASSY, VOLTAGE	1	BLACK
8-2	34600-93J11	METER ASSY, VOLTAGE	1	WHITE
9	09471-12103	.BULB (12V,3W,T6.5)	1	
10-1	34300-93J00	GAUGE ASSY, FUEL	1	BLACK
10-2	34300-93J11	GAUGE ASSY, FUEL	1	WHITE
11	34310-92E00	.LEAD, FUEL GAUGE	1	
12	34360-92E00	.ADAPTER, FUEL GAUGE	1	
13	09471-12103	.BULB (12V,3W,T6.5)	1	
14-1	34500-93J00	METER ASSY, HOUR	1	BLACK
14-2	34500-93J11	METER ASSY, HOUR	1	WHITE
15	09471-12103	.BULB (12V,3W,T6.5)	1	
16-1	34650-93J20	GAUGE ASSY, WATER PRESSURE	1	15PSI BLACK
16-2	34650-93J31	GAUGE ASSY, WATER PRESSURE	1	15PSI WHITE
17	34191-92E00	.TUBE	1	
18	09407-14407	.CLAMP (L:145)	2	
19	09471-12103	.BULB (12V,3W,T6.5)	1	
20-1	34200-93J00	TACHOMETER ASSY, WITH MONITOR	1	BLACK
20-2	34200-93J11	TACHOMETER ASSY, WITH MONITOR	1	WHITE
21	36615-96300	.TERMINAL, RESIN	4	
22	09471-12077	.BULB (12V, 1.7W)	1	

FIG.149

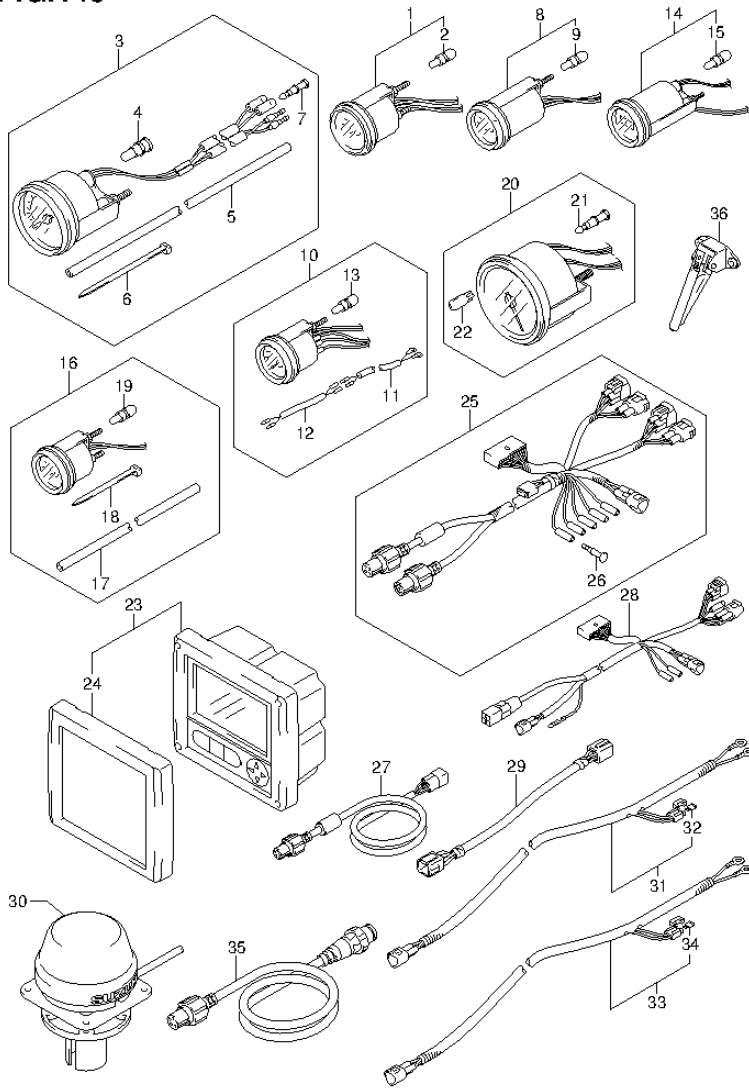


FIG.149 (2-D-3) OPT:METER (DF70ATH E01)

REF NO.	PART NO.	DESCRIPTION	Q'TY	REMARKS
23	34200-87L12	GAUGE ASSY, MULTI	1	
24	34211-87L00	.COVER, FRONT	1	
25	36661-87L00	ADAPTER, GAUGE	1	
26	36615-96300	.TERMINAL, RESIN	5	
27	36664-87L00	ADAPTER, GAUGE DUAL STATION	1	
28	36665-87L00	ADAPTER, GAUGE DUAL MULTI	1	
29	36682-92E00	WIRE, TRIM METER	1	
30	39950-87L00	MODULE ASSY, GPS RECIVER	1	
31	36663-98J00	WIRE, GAUGE POWER (2.5M)	1	
32	09481-05501	.FUSE (5A)	1	
33	36663-98J10	WIRE, GAUGE POWER (6M)	1	
34	09481-05501	.FUSE (5A)	1	
35	36666-87L00	WIRE, NETWORK	1	
36	34190-87D00	SENDER ASSY, SPEEDOMETER	1	

FIG.150

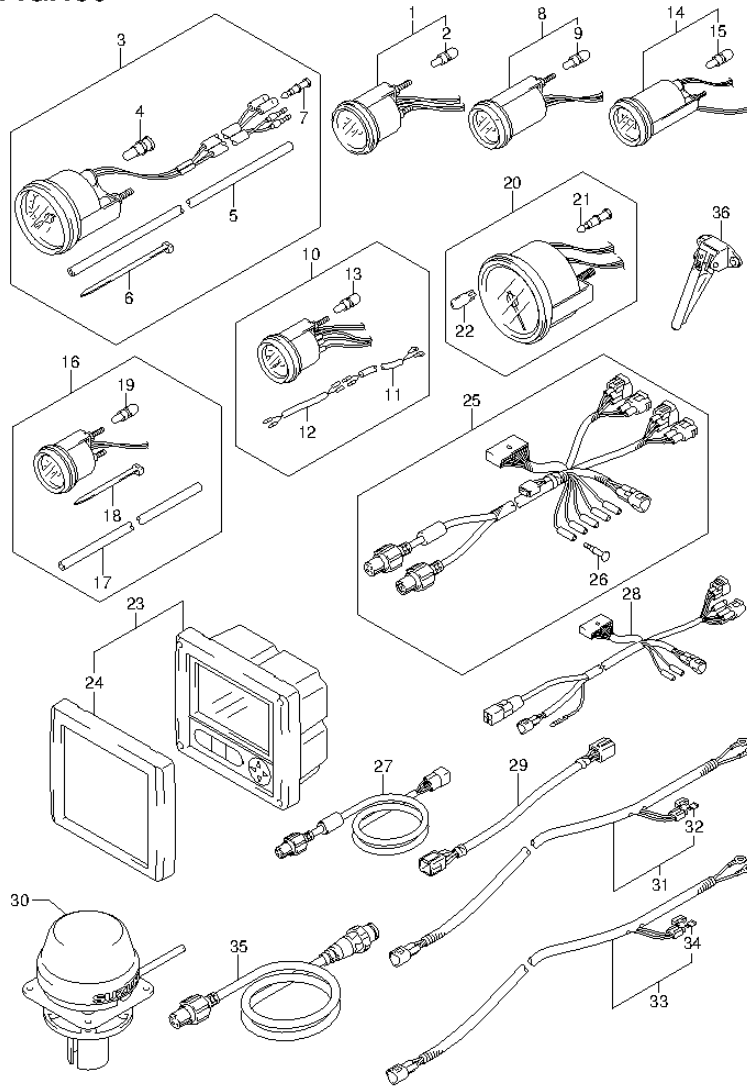


FIG.150 (2-D-4) OPT:METER (DF70ATH E40)

REF NO.	PART NO.	DESCRIPTION	Q'TY	REMARKS
1-1	34800-93J00	METER ASSY, TRIM	1	BLACK
1-2	34800-93J11	METER ASSY, TRIM	1	WHITE
2	09471-12103	.BULB (12V,3W,T6.5)	1	
3-1	34100-93J00	SPEEDOMETER ASSY	1	MAX 130KM/H BLACK
3-2	34100-93J11	SPEEDOMETER ASSY	1	MAX 130KM/H WHITE
3-3	34100-93J20	SPEEDOMETER ASSY	1	MAX 80KM/H BLACK
3-4	34100-93J31	SPEEDOMETER ASSY	1	MAX 80KM/H WHITE
3-5	34100-93J40	SPEEDOMETER ASSY	1	MAX 45KNOTS BLACK
3-6	34100-93J51	SPEEDOMETER ASSY	1	MAX 45KNOTS WHITE
3-7	34100-93J60	SPEEDOMETER ASSY	1	MAX 65KNOTS WHITE
4	09471-12028	.BULB (12V, 3.4W)	1	
5	34191-92E00	.TUBE	1	
6	09407-14407	.CLAMP (L:145)	2	
7	36615-96300	.TERMINAL, RESIN	2	
8-1	34600-93J00	METER ASSY, VOLTAGE	1	BLACK
8-2	34600-93J11	METER ASSY, VOLTAGE	1	WHITE
9	09471-12103	.BULB (12V,3W,T6.5)	1	
10-1	34300-93J00	GAUGE ASSY, FUEL	1	BLACK
10-2	34300-93J11	GAUGE ASSY, FUEL	1	WHITE
11	34310-92E00	.LEAD, FUEL GAUGE	1	
12	34360-92E00	.ADAPTER, FUEL GAUGE	1	
13	09471-12103	.BULB (12V,3W,T6.5)	1	
14-1	34500-93J00	METER ASSY, HOUR	1	BLACK
14-2	34500-93J11	METER ASSY, HOUR	1	WHITE
15	09471-12103	.BULB (12V,3W,T6.5)	1	
16-1	34650-93J20	GAUGE ASSY, WATER PRESSURE	1	15PSI BLACK
16-2	34650-93J31	GAUGE ASSY, WATER PRESSURE	1	15PSI WHITE
17	34191-92E00	.TUBE	1	
18	09407-14407	.CLAMP (L:145)	2	
19	09471-12103	.BULB (12V,3W,T6.5)	1	

FIG.150

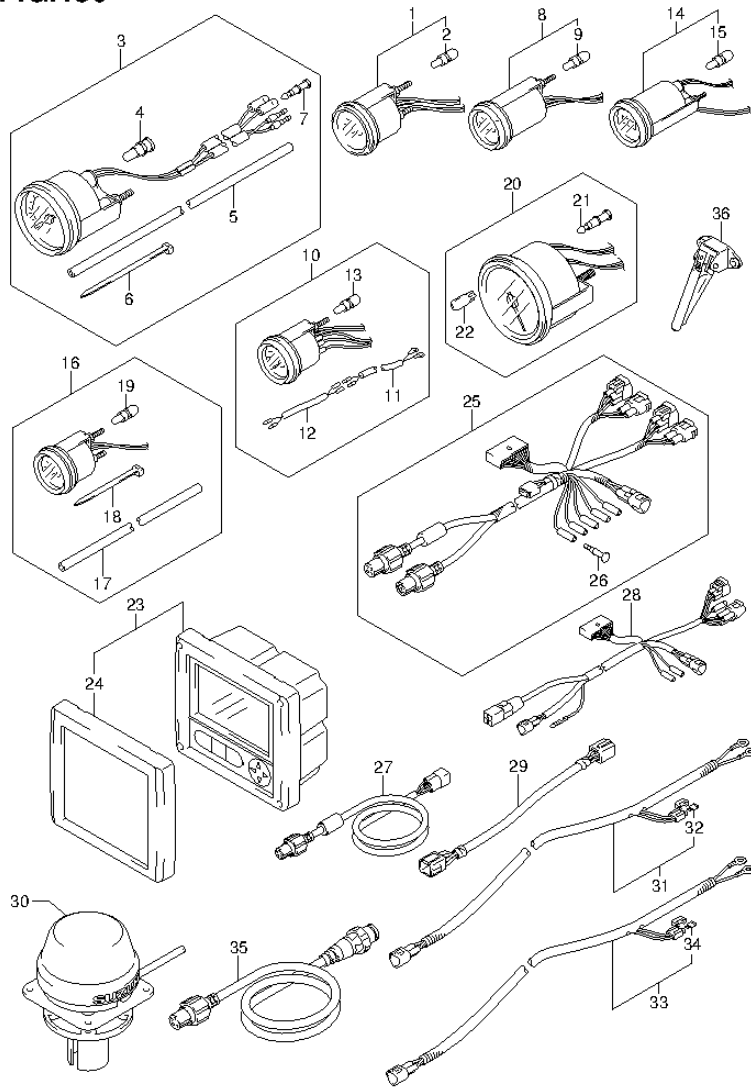


FIG.150 (2-D-5) OPT:METER (DF70ATH E40)

REF NO.	PART NO.	DESCRIPTION	Q'TY	REMARKS
20-1	34200-93J00	TACHOMETER ASSY, WITH MONITOR	1	BLACK
20-2	34200-93J11	TACHOMETER ASSY, WITH MONITOR	1	WHITE
21	36615-96300	.TERMINAL, RESIN	4	
22	09471-12077	.BULB (12V, 1.7W)	1	
23	34200-87L12	GAUGE ASSY, MULTI	1	
24	34211-87L00	.COVER, FRONT	1	
25	36661-87L00	ADAPTER, GAUGE	1	
26	36615-96300	.TERMINAL, RESIN	5	
27	36664-87L00	ADAPTER, GAUGE DUAL STATION	1	
28	36665-87L00	ADAPTER, GAUGE DUAL MULTI	1	
29	36682-92E00	WIRE, TRIM METER	1	
30	39950-87L00	MODULE ASSY, GPS RECIVER	1	
31	36663-98J00	WIRE, GAUGE POWER (2.5M)	1	
32	09481-05501	.FUSE (5A)	1	
33	36663-98J10	WIRE, GAUGE POWER (6M)	1	
34	09481-05501	.FUSE (5A)	1	
35	36666-87L00	WIRE, NETWORK	1	
36	34190-87D00	SENDER ASSY, SPEEDOMETER	1	

FIG.151

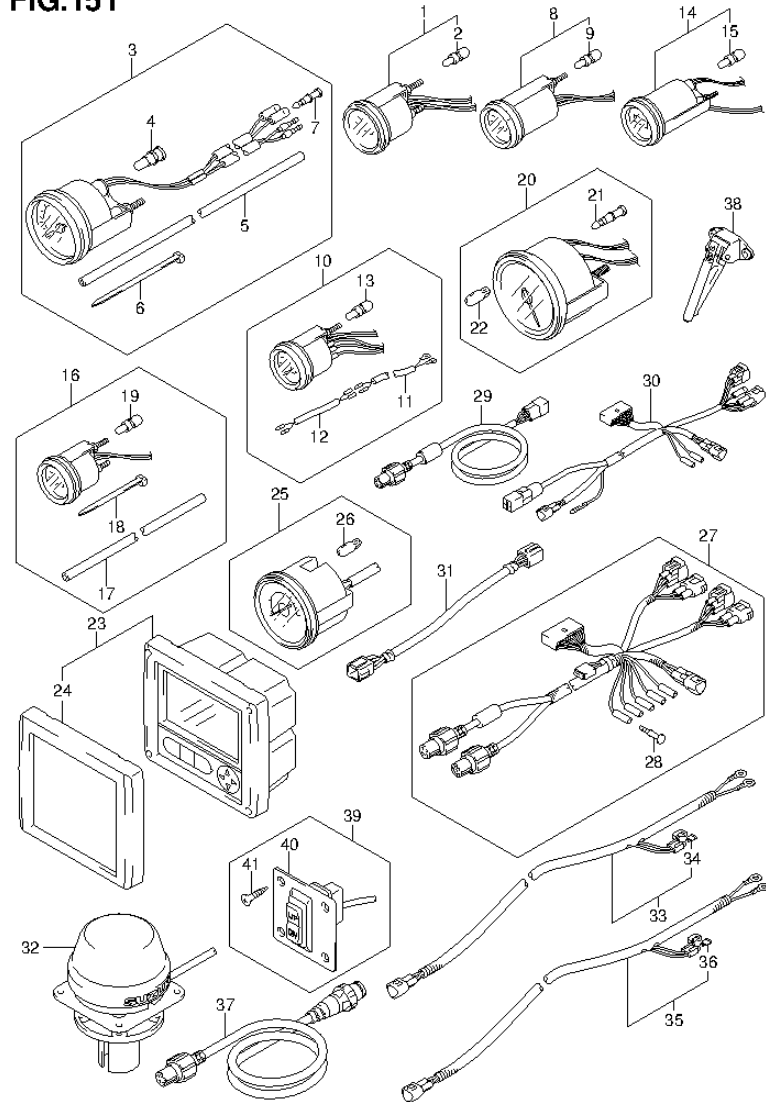


FIG.151 (2-D-6) OPT:METER (DF80A E01)

REF NO.	PART NO.	DESCRIPTION	Q'TY	REMARKS
1-1	34800-93J00	METER ASSY, TRIM	1	BLACK
1-2	34800-93J11	METER ASSY, TRIM	1	WHITE
2	09471-12103	.BULB (12V,3W,T6.5)	1	
3-1	34100-93J00	SPEEDOMETER ASSY	1	MAX 130KM/H BLACK
3-2	34100-93J11	SPEEDOMETER ASSY	1	MAX 130KM/H WHITE
3-3	34100-93J20	SPEEDOMETER ASSY	1	MAX 80KM/H BLACK
3-4	34100-93J31	SPEEDOMETER ASSY	1	MAX 80KM/H WHITE
3-5	34100-93J40	SPEEDOMETER ASSY	1	MAX 45KNOTS BLACK
3-6	34100-93J51	SPEEDOMETER ASSY	1	MAX 45KNOTS WHITE
3-7	34100-93J60	SPEEDOMETER ASSY	1	MAX 65KNOTS WHITE
4	09471-12028	.BULB (12V, 3.4W)	1	
5	34191-92E00	.TUBE	1	
6	09407-14407	.CLAMP (L:145)	2	
7	36615-96300	.TERMINAL, RESIN	2	
8-1	34600-93J00	METER ASSY, VOLTAGE	1	BLACK
8-2	34600-93J11	METER ASSY, VOLTAGE	1	WHITE
9	09471-12103	.BULB (12V,3W,T6.5)	1	
10-1	34300-93J00	GAUGE ASSY, FUEL	1	BLACK
10-2	34300-93J11	GAUGE ASSY, FUEL	1	WHITE
11	34310-92E00	.LEAD, FUEL GAUGE	1	
12	34360-92E00	.ADAPTER, FUEL GAUGE	1	
13	09471-12103	.BULB (12V,3W,T6.5)	1	
14-1	34500-93J00	METER ASSY, HOUR	1	BLACK
14-2	34500-93J11	METER ASSY, HOUR	1	WHITE
15	09471-12103	.BULB (12V,3W,T6.5)	1	
16-1	34650-93J20	GAUGE ASSY, WATER PRESSURE	1	15PSI BLACK
16-2	34650-93J31	GAUGE ASSY, WATER PRESSURE	1	15PSI WHITE
17	34191-92E00	.TUBE	1	
18	09407-14407	.CLAMP (L:145)	2	
19	09471-12103	.BULB (12V,3W,T6.5)	1	
20-1	34200-93J00	TACHOMETER ASSY, WITH MONITOR	1	BLACK
20-2	34200-93J11	TACHOMETER ASSY, WITH MONITOR	1	WHITE
21	36615-96300	.TERMINAL, RESIN	4	
22	09471-12077	.BULB (12V, 1.7W)	1	

FIG.151

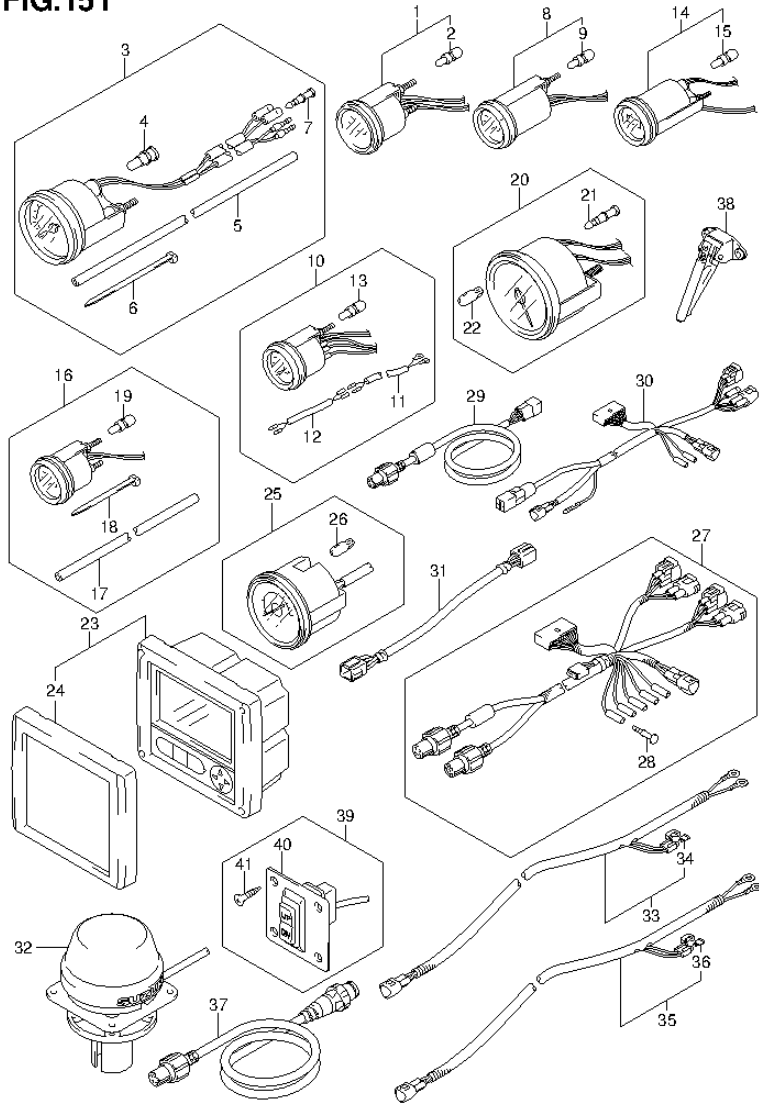


FIG.151 (2-D-7) OPT:METER (DF80A E01)

REF NO.	PART NO.	DESCRIPTION	Q'TY	REMARKS
23	34200-87L12	GAUGE ASSY, MULTI	1	
24	34211-87L00	.COVER, FRONT	1	
25-1	34200-93J40	TACHOMETER ASSY, WITH MONITOR	1	BLACK
25-2	34200-93J50	TACHOMETER ASSY, WITH MONITOR	1	WHITE
26	09471-12077	.BULB (12V, 1.7W)	1	
27	36661-87L00	ADAPTER, GAUGE	1	
28	36615-96300	.TERMINAL, RESIN	5	
29	36664-87L00	ADAPTER, GAUGE DUAL STATION	1	
30	36665-87L00	ADAPTER, GAUGE DUAL MULTI	1	
31	36682-92E00	WIRE, TRIM METER	1	
32	39950-87L00	MODULE ASSY, GPS RECIVER	1	
33	36663-98J00	WIRE, GAUGE POWER	1	
34	09481-05501	.FUSE (5A)	1	
35	36663-98J10	WIRE, GAUGE POWER	1	
36	09481-05501	.FUSE (5A)	1	
37	36666-87L00	WIRE, NETWORK	1	
38	34190-87D00	SENDER ASSY, SPEEDOMETER	1	
39	37860-87L00	PANEL ASSY, TROLLING CONTROL	1	
40	37862-87L00	.PANEL	1	
41	09131-05004	.SCREW	4	

FIG.152

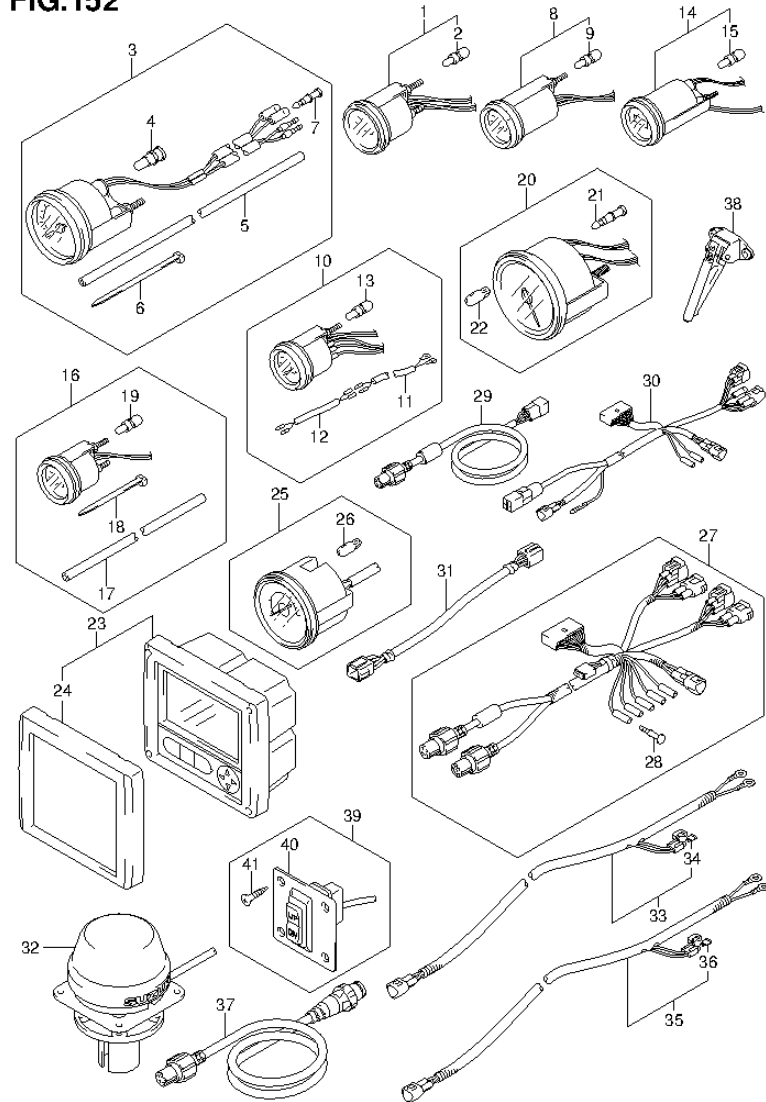


FIG.152 (2-D-8) OPT:METER (DF80A E40)

REF NO.	PART NO.	DESCRIPTION	Q'TY	REMARKS
1-1	34800-93J00	METER ASSY, TRIM	1	BLACK
1-2	34800-93J11	METER ASSY, TRIM	1	WHITE
2	09471-12103	.BULB (12V,3W,T6.5)	1	
3-1	34100-93J00	SPEEDOMETER ASSY	1	MAX 130KM/H BLACK
3-2	34100-93J11	SPEEDOMETER ASSY	1	MAX 130KM/H WHITE
3-3	34100-93J20	SPEEDOMETER ASSY	1	MAX 80KM/H BLACK
3-4	34100-93J31	SPEEDOMETER ASSY	1	MAX 80KM/H WHITE
3-5	34100-93J40	SPEEDOMETER ASSY	1	MAX 45KNOTS BLACK
3-6	34100-93J51	SPEEDOMETER ASSY	1	MAX 45KNOTS WHITE
3-7	34100-93J60	SPEEDOMETER ASSY	1	MAX 65KNOTS WHITE
4	09471-12028	.BULB (12V, 3.4W)	1	
5	34191-92E00	.TUBE	1	
6	09407-14407	.CLAMP (L:145)	2	
7	36615-96300	.TERMINAL, RESIN	2	
8-1	34600-93J00	METER ASSY, VOLTAGE	1	BLACK
8-2	34600-93J11	METER ASSY, VOLTAGE	1	WHITE
9	09471-12103	.BULB (12V,3W,T6.5)	1	
10-1	34300-93J00	GAUGE ASSY, FUEL	1	BLACK
10-2	34300-93J11	GAUGE ASSY, FUEL	1	WHITE
11	34310-92E00	.LEAD, FUEL GAUGE	1	
12	34360-92E00	.ADAPTER, FUEL GAUGE	1	
13	09471-12103	.BULB (12V,3W,T6.5)	1	
14-1	34500-93J00	METER ASSY, HOUR	1	BLACK
14-2	34500-93J11	METER ASSY, HOUR	1	WHITE
15	09471-12103	.BULB (12V,3W,T6.5)	1	
16-1	34650-93J20	GAUGE ASSY, WATER PRESSURE	1	15PSI BLACK
16-2	34650-93J31	GAUGE ASSY, WATER PRESSURE	1	15PSI WHITE
17	34191-92E00	.TUBE	1	
18	09407-14407	.CLAMP (L:145)	2	
19	09471-12103	.BULB (12V,3W,T6.5)	1	
20-1	34200-93J00	TACHOMETER ASSY, WITH MONITOR	1	BLACK
20-2	34200-93J11	TACHOMETER ASSY, WITH MONITOR	1	WHITE
21	36615-96300	.TERMINAL, RESIN	4	
22	09471-12077	.BULB (12V, 1.7W)	1	

FIG.152

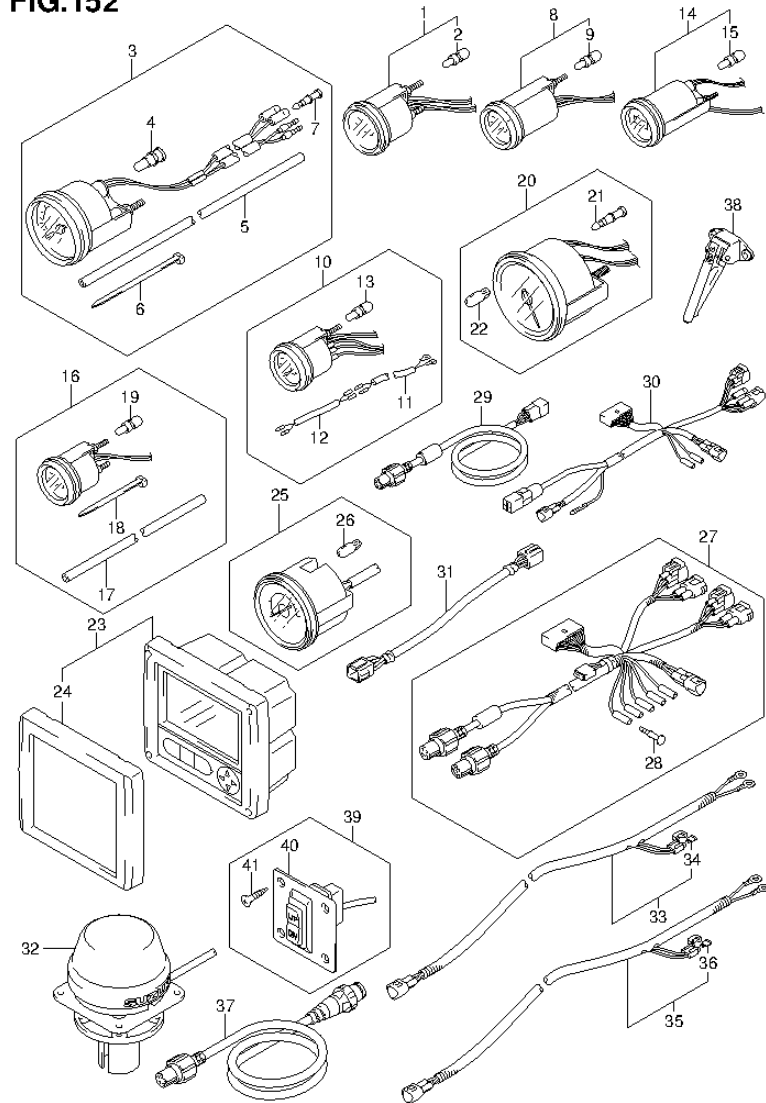


FIG.152 (2-D-9) OPT:METER (DF80A E40)

REF NO.	PART NO.	DESCRIPTION	Q'TY	REMARKS
23	34200-87L12	GAUGE ASSY, MULTI	1	
24	34211-87L00	.COVER, FRONT	1	
25-1	34200-93J40	TACHOMETER ASSY, WITH MONITOR	1	BLACK
25-2	34200-93J50	TACHOMETER ASSY, WITH MONITOR	1	WHITE
26	09471-12077	.BULB (12V, 1.7W)	1	
27	36661-87L00	ADAPTER, GAUGE	1	
28	36615-96300	.TERMINAL, RESIN	5	
29	36664-87L00	ADAPTER, GAUGE DUAL STATION	1	
30	36665-87L00	ADAPTER, GAUGE DUAL MULTI	1	
31	36682-92E00	WIRE, TRIM METER	1	
32	39950-87L00	MODULE ASSY, GPS RECIVER	1	
33	36663-98J00	WIRE, GAUGE POWER	1	
34	09481-05501	.FUSE (5A)	1	
35	36663-98J10	WIRE, GAUGE POWER	1	
36	09481-05501	.FUSE (5A)	1	
37	36666-87L00	WIRE, NETWORK	1	
38	34190-87D00	SENDER ASSY, SPEEDOMETER	1	
39	37860-87L00	PANEL ASSY, TROLLING CONTROL	1	
40	37862-87L00	.PANEL	1	
41	09131-05004	.SCREW	4	

FIG.153

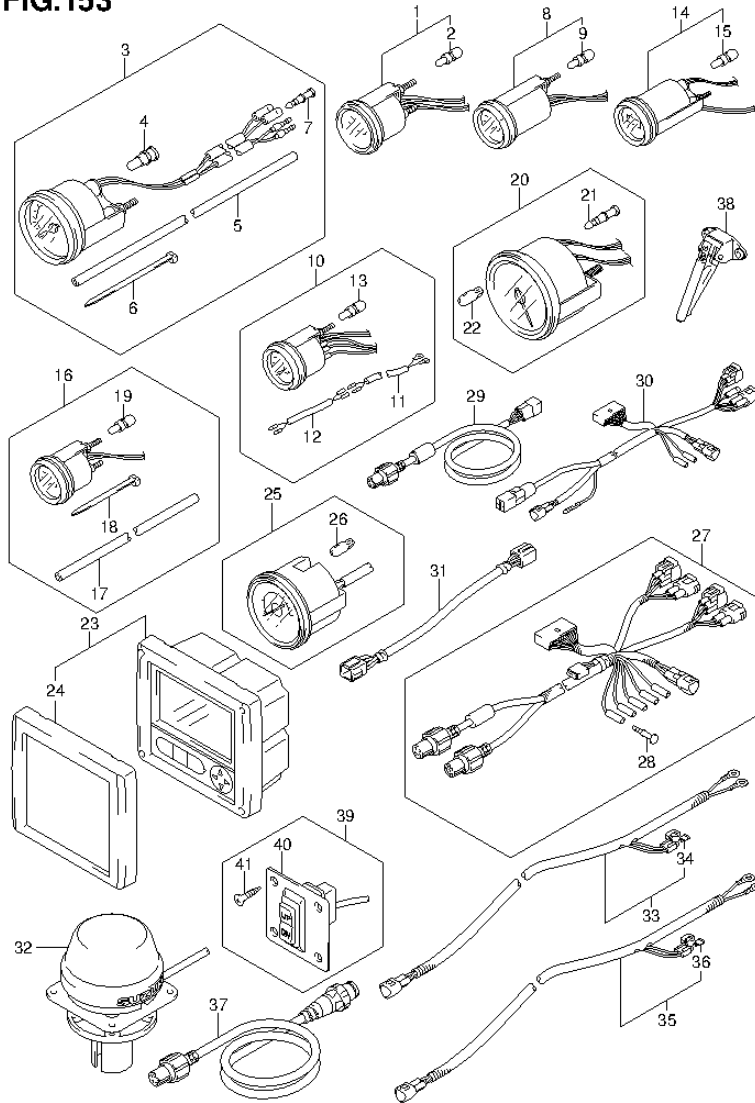


FIG.153 (2-D-10) OPT:METER (DF90A E01)

REF NO.	PART NO.	DESCRIPTION	Q'TY	REMARKS
1-1	34800-93J00	METER ASSY, TRIM	1	BLACK
1-2	34800-93J11	METER ASSY, TRIM	1	WHITE
2	09471-12103	.BULB (12V,3W,T6.5)	1	
3-1	34100-93J00	SPEEDOMETER ASSY	1	MAX 130KM/H BLACK
3-2	34100-93J11	SPEEDOMETER ASSY	1	MAX 130KM/H WHITE
3-3	34100-93J20	SPEEDOMETER ASSY	1	MAX 80KM/H BLACK
3-4	34100-93J31	SPEEDOMETER ASSY	1	MAX 80KM/H WHITE
3-5	34100-93J40	SPEEDOMETER ASSY	1	MAX 45KNOTS BLACK
3-6	34100-93J51	SPEEDOMETER ASSY	1	MAX 45KNOTS WHITE
3-7	34100-93J60	SPEEDOMETER ASSY	1	MAX 65KNOTS WHITE
4	09471-12028	.BULB (12V, 3.4W)	1	
5	34191-92E00	.TUBE	1	
6	09407-14407	.CLAMP (L:145)	2	
7	36615-96300	.TERMINAL, RESIN	2	
8-1	34600-93J00	METER ASSY, VOLTAGE	1	BLACK
8-2	34600-93J11	METER ASSY, VOLTAGE	1	WHITE
9	09471-12103	.BULB (12V,3W,T6.5)	1	
10-1	34300-93J00	GAUGE ASSY, FUEL	1	BLACK
10-2	34300-93J11	GAUGE ASSY, FUEL	1	WHITE
11	34310-92E00	.LEAD, FUEL GAUGE	1	
12	34360-92E00	.ADAPTER, FUEL GAUGE	1	
13	09471-12103	.BULB (12V,3W,T6.5)	1	
14-1	34500-93J00	METER ASSY, HOUR	1	BLACK
14-2	34500-93J11	METER ASSY, HOUR	1	WHITE
15	09471-12103	.BULB (12V,3W,T6.5)	1	
16-1	34650-93J20	GAUGE ASSY, WATER PRESSURE	1	15PSI BLACK
16-2	34650-93J31	GAUGE ASSY, WATER PRESSURE	1	15PSI WHITE
17	34191-92E00	.TUBE	1	
18	09407-14407	.CLAMP (L:145)	2	
19	09471-12103	.BULB (12V,3W,T6.5)	1	
20-1	34200-93J00	TACHOMETER ASSY, WITH MONITOR	1	BLACK
20-2	34200-93J11	TACHOMETER ASSY, WITH MONITOR	1	WHITE
21	36615-96300	.TERMINAL, RESIN	4	
22	09471-12077	.BULB (12V, 1.7W)	1	

FIG.153

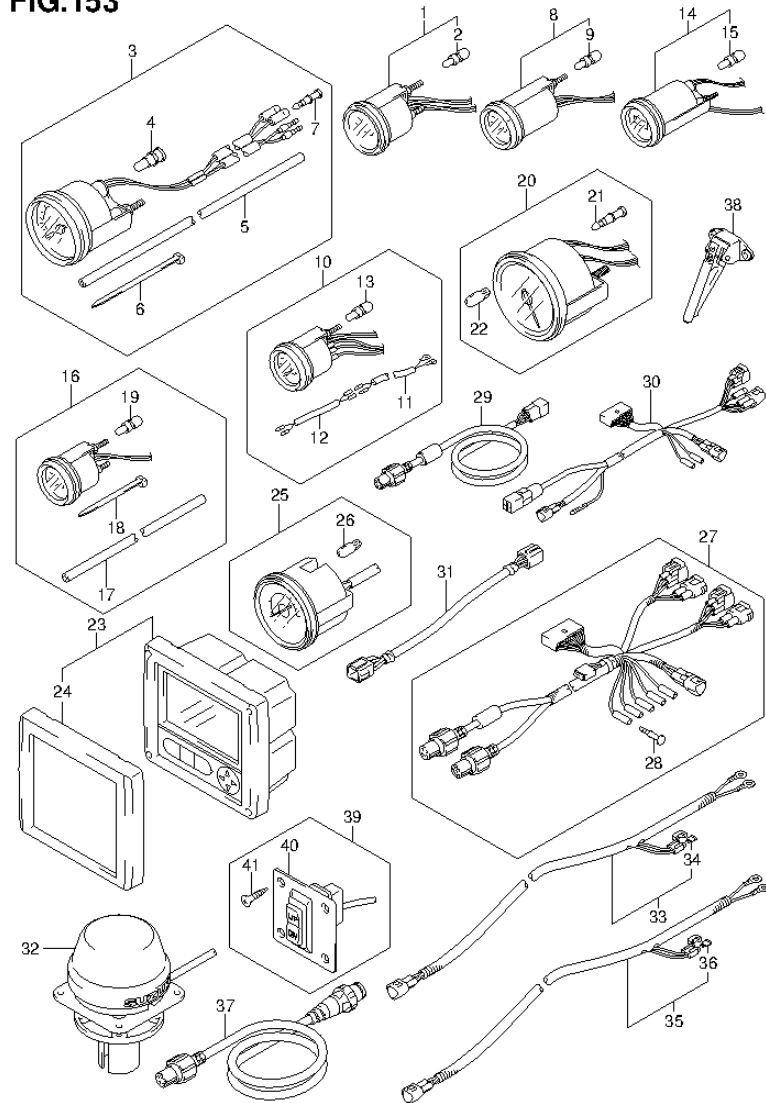


FIG.153 (2-D-11) OPT:METER (DF90A E01)

REF NO.	PART NO.	DESCRIPTION	Q'TY	REMARKS
23	34200-87L12	GAUGE ASSY, MULTI	1	
24	34211-87L00	.COVER, FRONT	1	
25-1	34200-93J40	TACHOMETER ASSY, WITH MONITOR	1	BLACK
25-2	34200-93J50	TACHOMETER ASSY, WITH MONITOR	1	WHITE
26	09471-12077	.BULB (12V, 1.7W)	1	
27	36661-87L00	ADAPTER, GAUGE	1	
28	36615-96300	.TERMINAL, RESIN	5	
29	36664-87L00	ADAPTER, GAUGE DUAL STATION	1	
30	36665-87L00	ADAPTER, GAUGE DUAL MULTI	1	
31	36682-92E00	WIRE, TRIM METER	1	
32	39950-87L00	MODULE ASSY, GPS RECIVER	1	
33	36663-98J00	WIRE, GAUGE POWER	1	
34	09481-05501	.FUSE (5A)	1	
35	36663-98J10	WIRE, GAUGE POWER	1	
36	09481-05501	.FUSE (5A)	1	
37	36666-87L00	WIRE, NETWORK	1	
38	34190-87D00	SENDER ASSY, SPEEDOMETER	1	
39	37860-87L00	PANEL ASSY, TROLLING CONTROL	1	
40	37862-87L00	.PANEL	1	
41	09131-05004	.SCREW	4	

FIG.154

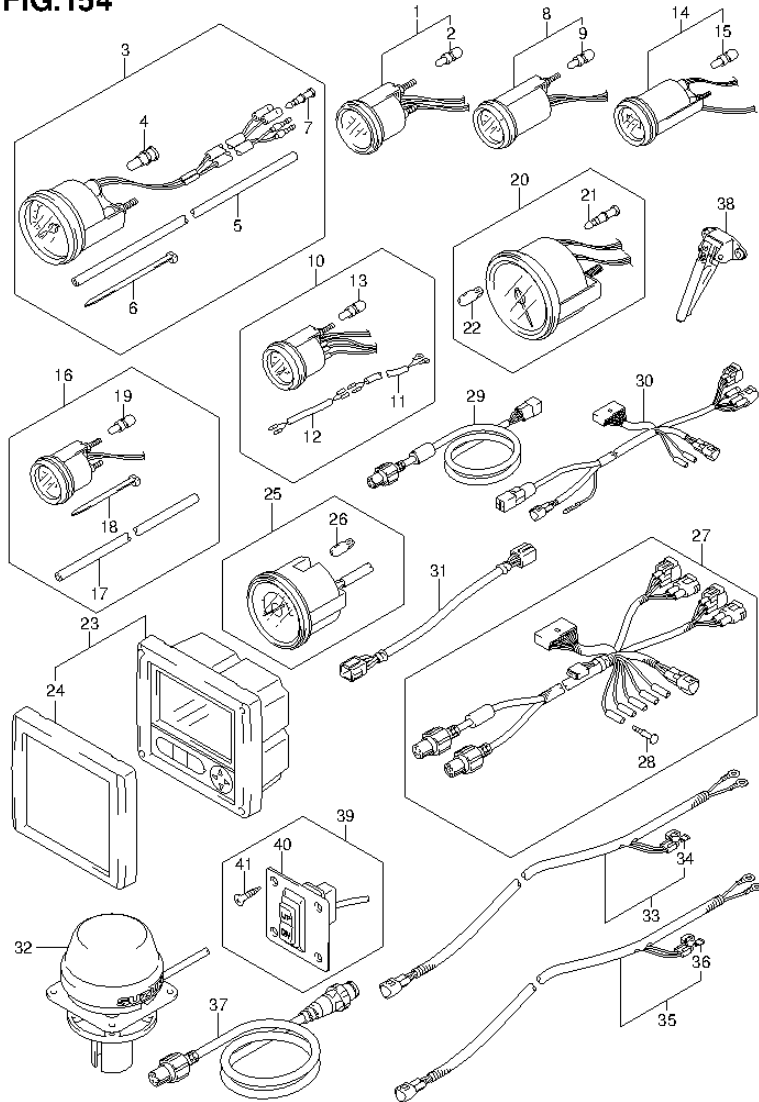


FIG.154 (2-D-12) OPT:METER (DF90A E40)

REF NO.	PART NO.	DESCRIPTION	Q'TY	REMARKS
1-1	34800-93J00	METER ASSY, TRIM	1	BLACK
1-2	34800-93J11	METER ASSY, TRIM	1	WHITE
2	09471-12103	.BULB (12V,3W,T6.5)	1	
3-1	34100-93J00	SPEEDOMETER ASSY	1	MAX 130KM/H BLACK
3-2	34100-93J11	SPEEDOMETER ASSY	1	MAX 130KM/H WHITE
3-3	34100-93J20	SPEEDOMETER ASSY	1	MAX 80KM/H BLACK
3-4	34100-93J31	SPEEDOMETER ASSY	1	MAX 80KM/H WHITE
3-5	34100-93J40	SPEEDOMETER ASSY	1	MAX 45KNOTS BLACK
3-6	34100-93J51	SPEEDOMETER ASSY	1	MAX 45KNOTS WHITE
3-7	34100-93J60	SPEEDOMETER ASSY	1	MAX 65KNOTS WHITE
4	09471-12028	.BULB (12V, 3.4W)	1	
5	34191-92E00	.TUBE	1	
6	09407-14407	.CLAMP (L:145)	2	
7	36615-96300	.TERMINAL, RESIN	2	
8-1	34600-93J00	METER ASSY, VOLTAGE	1	BLACK
8-2	34600-93J11	METER ASSY, VOLTAGE	1	WHITE
9	09471-12103	.BULB (12V,3W,T6.5)	1	
10-1	34300-93J00	GAUGE ASSY, FUEL	1	BLACK
10-2	34300-93J11	GAUGE ASSY, FUEL	1	WHITE
11	34310-92E00	.LEAD, FUEL GAUGE	1	
12	34360-92E00	.ADAPTER, FUEL GAUGE	1	
13	09471-12103	.BULB (12V,3W,T6.5)	1	
14-1	34500-93J00	METER ASSY, HOUR	1	BLACK
14-2	34500-93J11	METER ASSY, HOUR	1	WHITE
15	09471-12103	.BULB (12V,3W,T6.5)	1	
16-1	34650-93J20	GAUGE ASSY, WATER PRESSURE	1	15PSI BLACK
16-2	34650-93J31	GAUGE ASSY, WATER PRESSURE	1	15PSI WHITE
17	34191-92E00	.TUBE	1	
18	09407-14407	.CLAMP (L:145)	2	
19	09471-12103	.BULB (12V,3W,T6.5)	1	
20-1	34200-93J00	TACHOMETER ASSY, WITH MONITOR	1	BLACK
20-2	34200-93J11	TACHOMETER ASSY, WITH MONITOR	1	WHITE
21	36615-96300	.TERMINAL, RESIN	4	
22	09471-12077	.BULB (12V, 1.7W)	1	

FIG.154

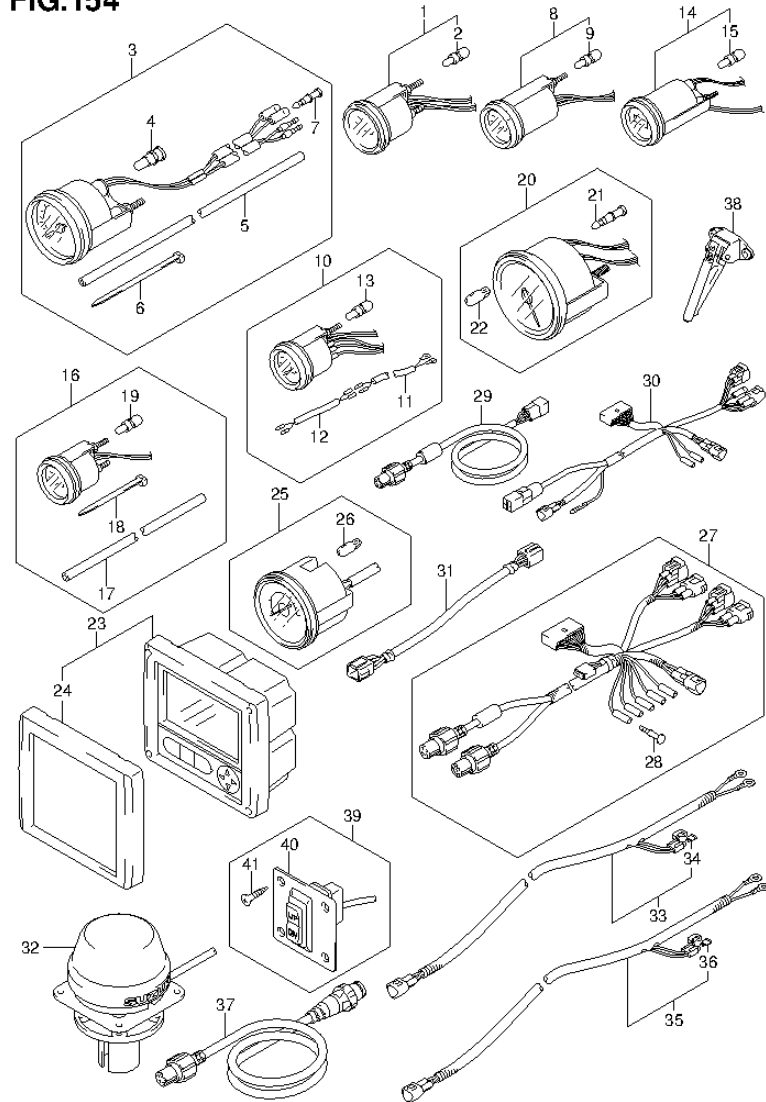


FIG.154 (2-D-13) OPT:METER (DF90A E40)

REF NO.	PART NO.	DESCRIPTION	Q'TY	REMARKS
23	34200-87L12	GAUGE ASSY, MULTI	1	
24	34211-87L00	.COVER, FRONT	1	
25-1	34200-93J40	TACHOMETER ASSY, WITH MONITOR	1	BLACK
25-2	34200-93J50	TACHOMETER ASSY, WITH MONITOR	1	WHITE
26	09471-12077	.BULB (12V, 1.7W)	1	
27	36661-87L00	ADAPTER, GAUGE	1	
28	36615-96300	.TERMINAL, RESIN	5	
29	36664-87L00	ADAPTER, GAUGE DUAL STATION	1	
30	36665-87L00	ADAPTER, GAUGE DUAL MULTI	1	
31	36682-92E00	WIRE, TRIM METER	1	
32	39950-87L00	MODULE ASSY, GPS RECIVER	1	
33	36663-98J00	WIRE, GAUGE POWER	1	
34	09481-05501	.FUSE (5A)	1	
35	36663-98J10	WIRE, GAUGE POWER	1	
36	09481-05501	.FUSE (5A)	1	
37	36666-87L00	WIRE, NETWORK	1	
38	34190-87D00	SENDER ASSY, SPEEDOMETER	1	
39	37860-87L00	PANEL ASSY, TROLLING CONTROL	1	
40	37862-87L00	.PANEL	1	
41	09131-05004	.SCREW	4	

FIG.155

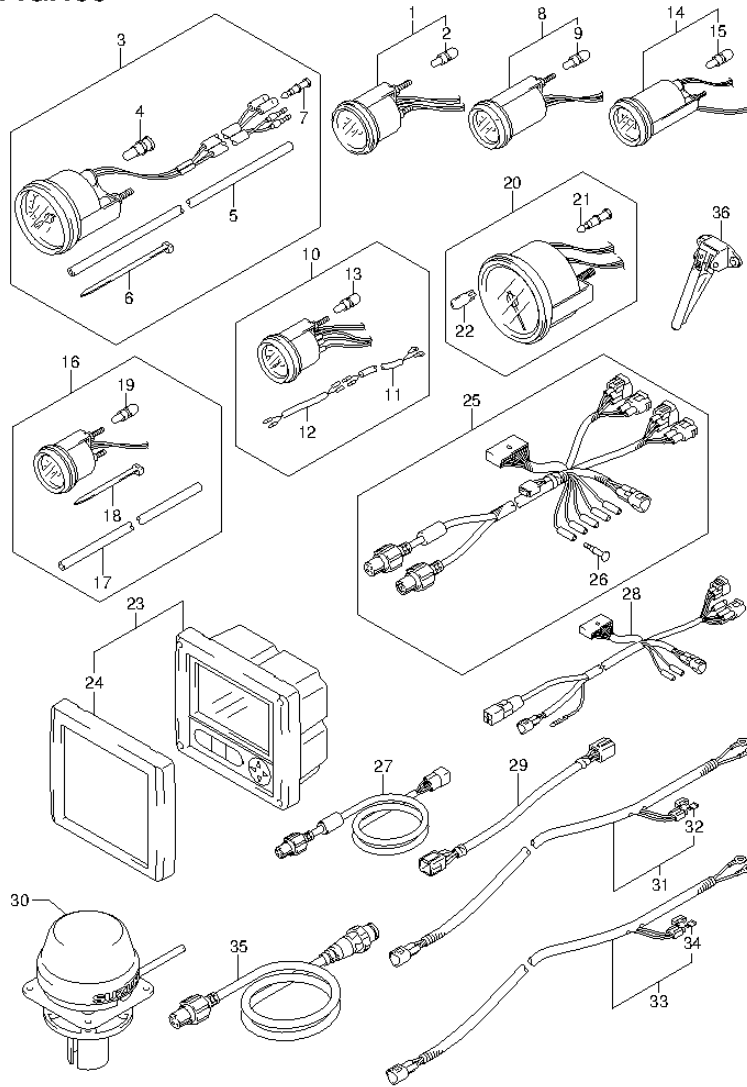


FIG.155 (2-D-14) OPT:METER (DF90ATH E01)

REF NO.	PART NO.	DESCRIPTION	Q'TY	REMARKS
1-1	34800-93J00	METER ASSY, TRIM	1	BLACK
1-2	34800-93J11	METER ASSY, TRIM	1	WHITE
2	09471-12103	.BULB (12V,3W,T6.5)	1	
3-1	34100-93J00	SPEEDOMETER ASSY	1	MAX 130KM/H BLACK
3-2	34100-93J11	SPEEDOMETER ASSY	1	MAX 130KM/H WHITE
3-3	34100-93J20	SPEEDOMETER ASSY	1	MAX 80KM/H BLACK
3-4	34100-93J31	SPEEDOMETER ASSY	1	MAX 80KM/H WHITE
3-5	34100-93J40	SPEEDOMETER ASSY	1	MAX 45KNOTS BLACK
3-6	34100-93J51	SPEEDOMETER ASSY	1	MAX 45KNOTS WHITE
3-7	34100-93J60	SPEEDOMETER ASSY	1	MAX 65KNOTS WHITE
4	09471-12028	.BULB (12V, 3.4W)	1	
5	34191-92E00	.TUBE	1	
6	09407-14407	.CLAMP (L:145)	2	
7	36615-96300	.TERMINAL, RESIN	2	
8-1	34600-93J00	METER ASSY, VOLTAGE	1	BLACK
8-2	34600-93J11	METER ASSY, VOLTAGE	1	WHITE
9	09471-12103	.BULB (12V,3W,T6.5)	1	
10-1	34300-93J00	GAUGE ASSY, FUEL	1	BLACK
10-2	34300-93J11	GAUGE ASSY, FUEL	1	WHITE
11	34310-92E00	.LEAD, FUEL GAUGE	1	
12	34360-92E00	.ADAPTER, FUEL GAUGE	1	
13	09471-12103	.BULB (12V,3W,T6.5)	1	
14-1	34500-93J00	METER ASSY, HOUR	1	BLACK
14-2	34500-93J11	METER ASSY, HOUR	1	WHITE
15	09471-12103	.BULB (12V,3W,T6.5)	1	
16-1	34650-93J20	GAUGE ASSY, WATER PRESSURE	1	15PSI BLACK
16-2	34650-93J31	GAUGE ASSY, WATER PRESSURE	1	15PSI WHITE
17	34191-92E00	.TUBE	1	
18	09407-14407	.CLAMP (L:145)	2	
19	09471-12103	.BULB (12V,3W,T6.5)	1	
20-1	34200-93J00	TACHOMETER ASSY, WITH MONITOR	1	BLACK
20-2	34200-93J11	TACHOMETER ASSY, WITH MONITOR	1	WHITE
21	36615-96300	.TERMINAL, RESIN	4	
22	09471-12077	.BULB (12V, 1.7W)	1	

FIG.155

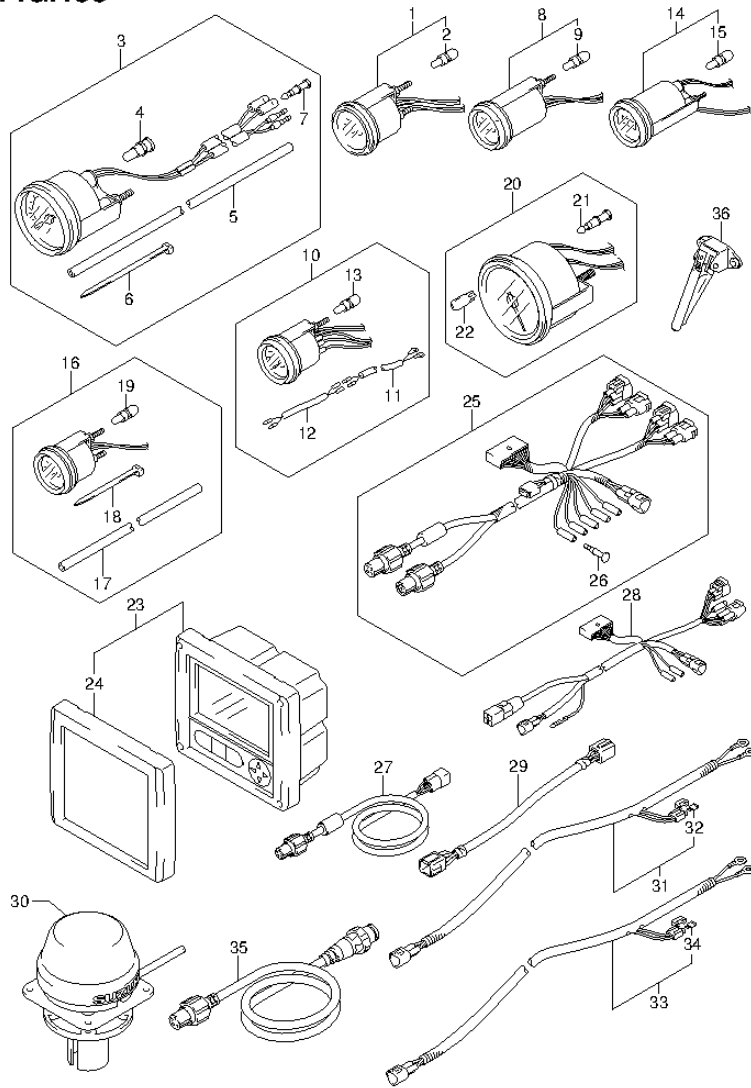


FIG.155 (2-D-15) OPT:METER (DF90ATH E01)

REF NO.	PART NO.	DESCRIPTION	Q'TY	REMARKS
23	34200-87L12	GAUGE ASSY, MULTI	1	
24	34211-87L00	.COVER, FRONT	1	
25	36661-87L00	ADAPTER, GAUGE	1	
26	36615-96300	.TERMINAL, RESIN	5	
27	36664-87L00	ADAPTER, GAUGE DUAL STATION	1	
28	36665-87L00	ADAPTER, GAUGE DUAL MULTI	1	
29	36682-92E00	WIRE, TRIM METER	1	
30	39950-87L00	MODULE ASSY, GPS RECIVER	1	
31	36663-98J00	WIRE, GAUGE POWER (2.5M)	1	
32	09481-05501	.FUSE (5A)	1	
33	36663-98J10	WIRE, GAUGE POWER (6M)	1	
34	09481-05501	.FUSE (5A)	1	
35	36666-87L00	WIRE, NETWORK	1	
36	34190-87D00	SENDER ASSY, SPEEDOMETER	1	

FIG.156

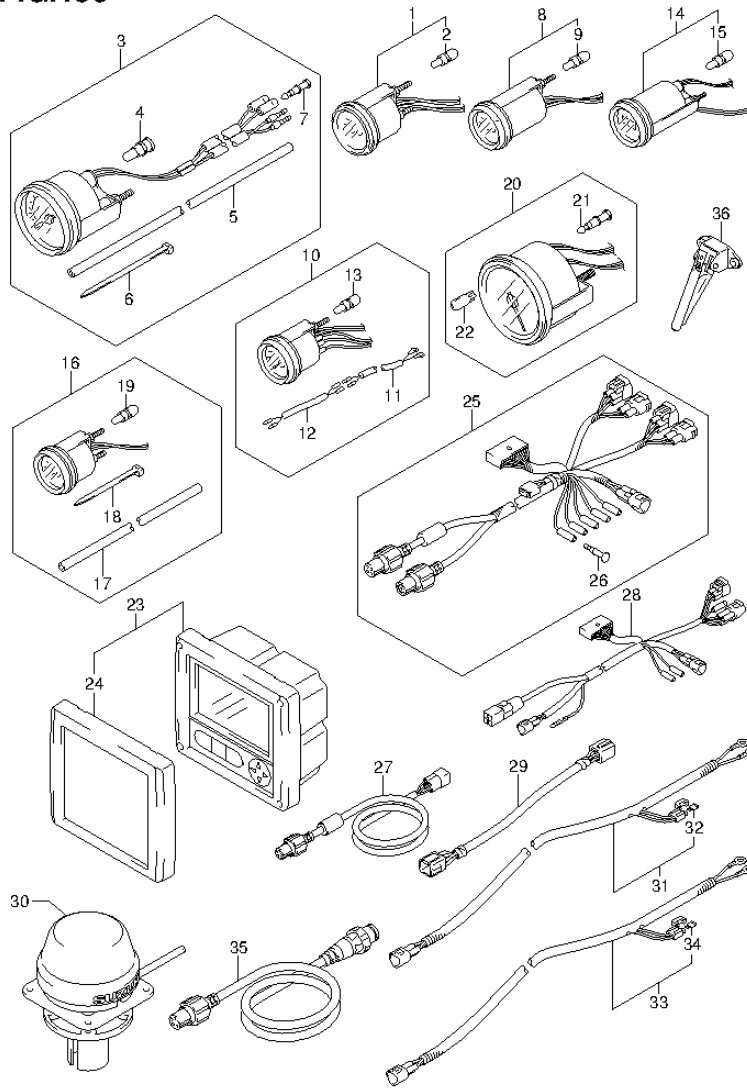


FIG.156 (2-E-2) OPT:METER (DF90ATH E40)

REF NO.	PART NO.	DESCRIPTION	Q'TY	REMARKS
1-1	34800-93J00	METER ASSY, TRIM	1	BLACK
1-2	34800-93J11	METER ASSY, TRIM	1	WHITE
2	09471-12103	.BULB (12V,3W,T6.5)	1	
3-1	34100-93J00	SPEEDOMETER ASSY	1	MAX 130KM/H BLACK
3-2	34100-93J11	SPEEDOMETER ASSY	1	MAX 130KM/H WHITE
3-3	34100-93J20	SPEEDOMETER ASSY	1	MAX 80KM/H BLACK
3-4	34100-93J31	SPEEDOMETER ASSY	1	MAX 80KM/H WHITE
3-5	34100-93J40	SPEEDOMETER ASSY	1	MAX 45KNOTS BLACK
3-6	34100-93J51	SPEEDOMETER ASSY	1	MAX 45KNOTS WHITE
3-7	34100-93J60	SPEEDOMETER ASSY	1	MAX 65KNOTS WHITE
4	09471-12028	.BULB (12V, 3.4W)	1	
5	34191-92E00	.TUBE	1	
6	09407-14407	.CLAMP (L:145)	2	
7	36615-96300	.TERMINAL, RESIN	2	
8-1	34600-93J00	METER ASSY, VOLTAGE	1	BLACK
8-2	34600-93J11	METER ASSY, VOLTAGE	1	WHITE
9	09471-12103	.BULB (12V,3W,T6.5)	1	
10-1	34300-93J00	GAUGE ASSY, FUEL	1	BLACK
10-2	34300-93J11	GAUGE ASSY, FUEL	1	WHITE
11	34310-92E00	.LEAD, FUEL GAUGE	1	
12	34360-92E00	.ADAPTER, FUEL GAUGE	1	
13	09471-12103	.BULB (12V,3W,T6.5)	1	
14-1	34500-93J00	METER ASSY, HOUR	1	BLACK
14-2	34500-93J11	METER ASSY, HOUR	1	WHITE
15	09471-12103	.BULB (12V,3W,T6.5)	1	
16-1	34650-93J20	GAUGE ASSY, WATER PRESSURE	1	15PSI BLACK
16-2	34650-93J31	GAUGE ASSY, WATER PRESSURE	1	15PSI WHITE
17	34191-92E00	.TUBE	1	
18	09407-14407	.CLAMP (L:145)	2	
19	09471-12103	.BULB (12V,3W,T6.5)	1	
20-1	34200-93J00	TACHOMETER ASSY, WITH MONITOR	1	BLACK
20-2	34200-93J11	TACHOMETER ASSY, WITH MONITOR	1	WHITE
21	36615-96300	.TERMINAL, RESIN	4	
22	09471-12077	.BULB (12V, 1.7W)	1	

FIG.156

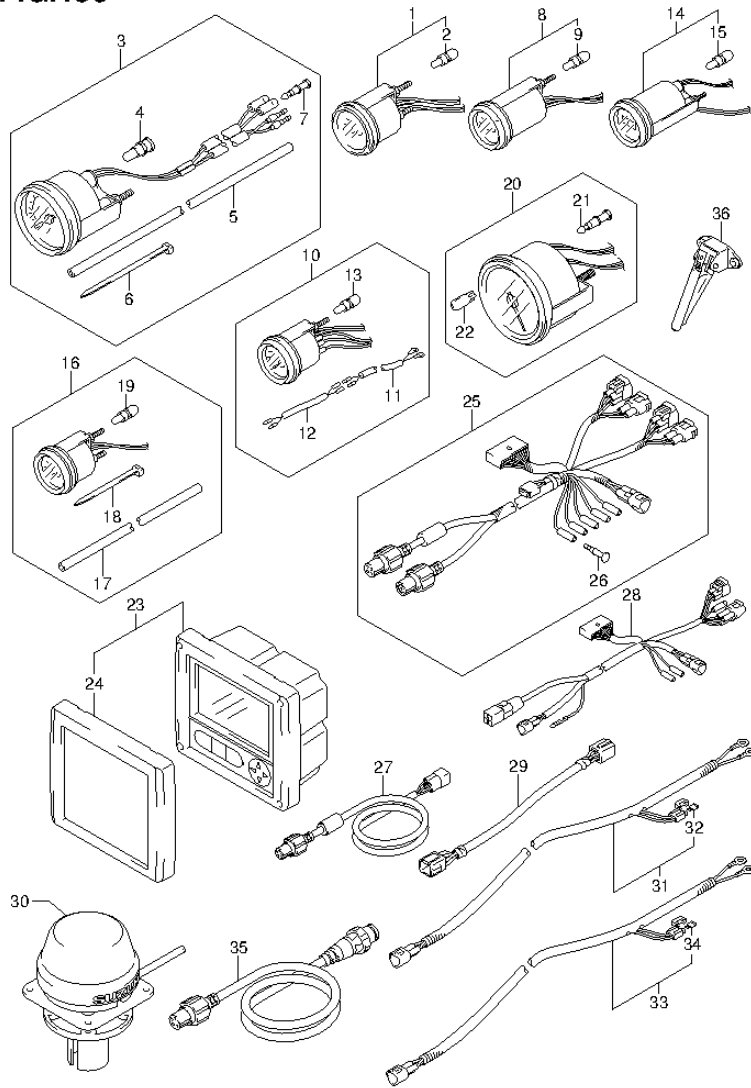


FIG.156 (2-E-3) OPT:METER (DF90ATH E40)

REF NO.	PART NO.	DESCRIPTION	Q'TY	REMARKS
23	34200-87L12	GAUGE ASSY, MULTI	1	
24	34211-87L00	.COVER, FRONT	1	
25	36661-87L00	ADAPTER, GAUGE	1	
26	36615-96300	.TERMINAL, RESIN	5	
27	36664-87L00	ADAPTER, GAUGE DUAL STATION	1	
28	36665-87L00	ADAPTER, GAUGE DUAL MULTI	1	
29	36682-92E00	WIRE, TRIM METER	1	
30	39950-87L00	MODULE ASSY, GPS RECIVER	1	
31	36663-98J00	WIRE, GAUGE POWER (2.5M)	1	
32	09481-05501	.FUSE (5A)	1	
33	36663-98J10	WIRE, GAUGE POWER (6M)	1	
34	09481-05501	.FUSE (5A)	1	
35	36666-87L00	WIRE, NETWORK	1	
36	34190-87D00	SENDER ASSY, SPEEDOMETER	1	

FIG.157

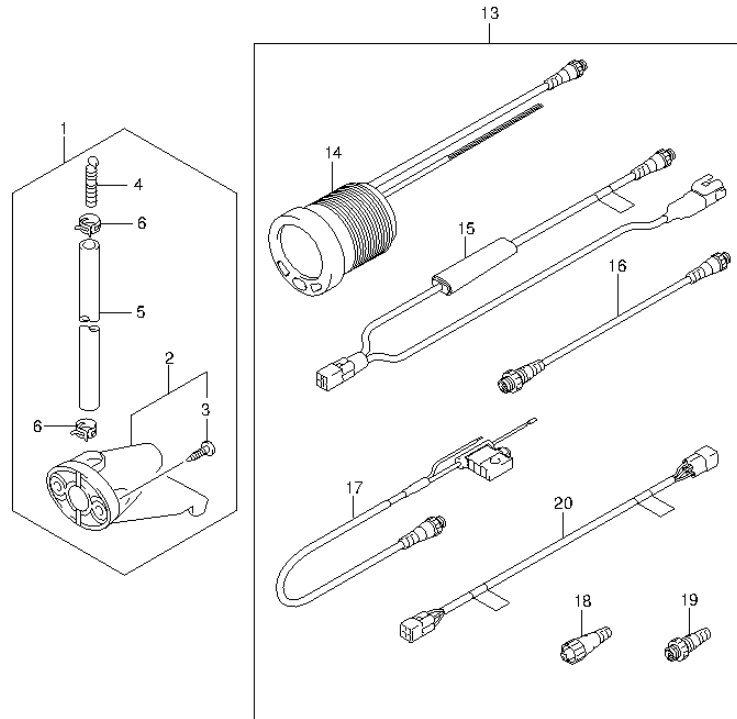
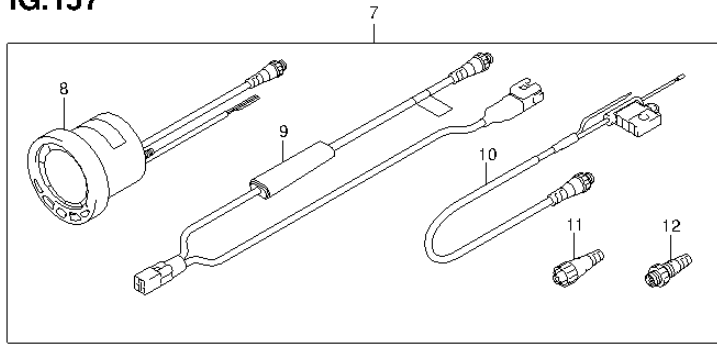


FIG.157 (2-E-4) OPT:METER KIT (DF70A E01)

REF NO.	PART NO.	DESCRIPTION	Q'TY	REMARKS
1	34120-98J01	KIT, SPEEDOMETER SUB	1	
2	34190-95500	.SENDER ASSY, SPEEDOMETER	1	
3	03112-06303	..SCREW	2	
4	55127-87D00	.UNION, HOSE	1	
5	09355-40805-00B	.HOSE (4X8X2000)	1	L:2000->1700
6	09407-10404	.CLAMP (L:100)	2	
7	34011-88L02	KIT, 4 IN MULTI GAUGE	1	
8	34200-88L02	.GAUGE ASSY, 4 IN MULTI	1	
9	34922-88L01	.UNIT, INTERFACE	1	
10	36663-88L00	.HARNESS ASSY, NETWORK POWER	1	
11	36665-88L00	.UNIT, RESISTOR FEMALE	1	
12	36665-88L10	.UNIT, RESISTOR MALE	1	
13	34011-88L12	KIT, 2 IN MULTI GAUGE	1	
14	34800-88L01	.GAUGE ASSY, 2 IN MULTI	1	
15	34922-88L01	.UNIT, INTERFACE	1	
16	36662-88L00	.WIRE, 25 EXTENSION	1	
17	36663-88L00	.HARNESS ASSY, NETWORK POWER	1	
18	36665-88L00	.UNIT, RESISTOR FEMALE	1	
19	36665-88L10	.UNIT, RESISTOR MALE	1	
20	36668-88L00	.WIRE, ADAPTER TO DIAGNS	1	

FIG.158

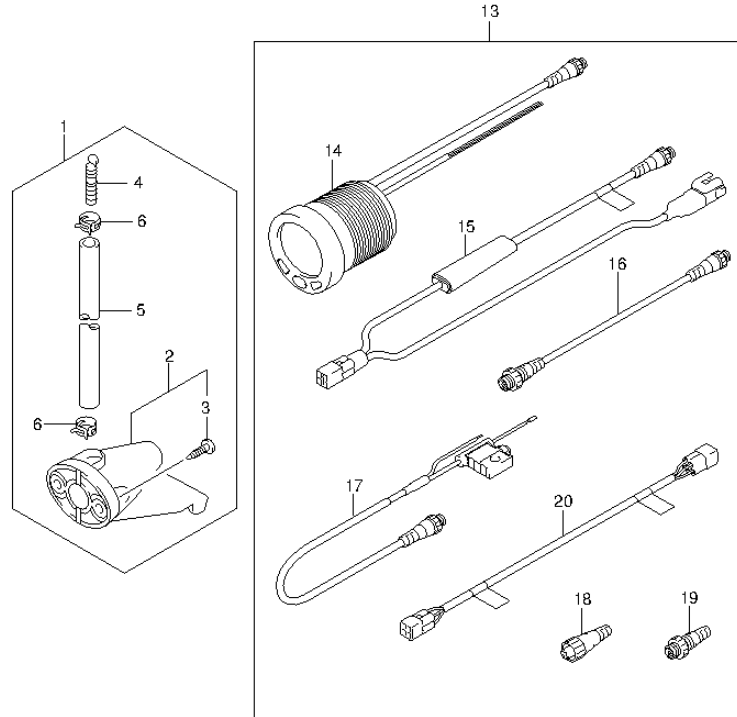
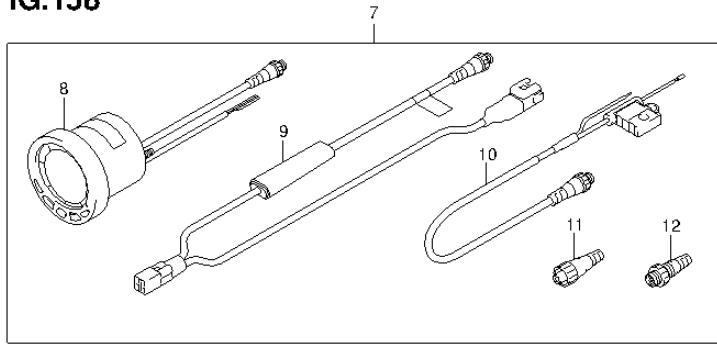


FIG.158 (2-E-5) OPT:METER KIT (DF70A E40)

REF NO.	PART NO.	DESCRIPTION	Q'TY	REMARKS
1	34120-98J01	KIT, SPEEDOMETER SUB	1	
2	34190-95500	.SENDER ASSY, SPEEDOMETER	1	
3	03112-06303	..SCREW	2	
4	55127-87D00	.UNION, HOSE	1	
5	09355-40805-00B	.HOSE (4X8X2000)	1	L:2000->1700
6	09407-10404	.CLAMP (L:100)	2	
7	34011-88L02	KIT, 4 IN MULTI GAUGE	1	
8	34200-88L02	.GAUGE ASSY, 4 IN MULTI	1	
9	34922-88L01	.UNIT, INTERFACE	1	
10	36663-88L00	.HARNESS ASSY, NETWORK POWER	1	
11	36665-88L00	.UNIT, RESISTOR FEMALE	1	
12	36665-88L10	.UNIT, RESISTOR MALE	1	
13	34011-88L12	KIT, 2 IN MULTI GAUGE	1	
14	34800-88L01	.GAUGE ASSY, 2 IN MULTI	1	
15	34922-88L01	.UNIT, INTERFACE	1	
16	36662-88L00	.WIRE, 25 EXTENSION	1	
17	36663-88L00	.HARNESS ASSY, NETWORK POWER	1	
18	36665-88L00	.UNIT, RESISTOR FEMALE	1	
19	36665-88L10	.UNIT, RESISTOR MALE	1	
20	36668-88L00	.WIRE, ADAPTER TO DIAGNS	1	

FIG.159

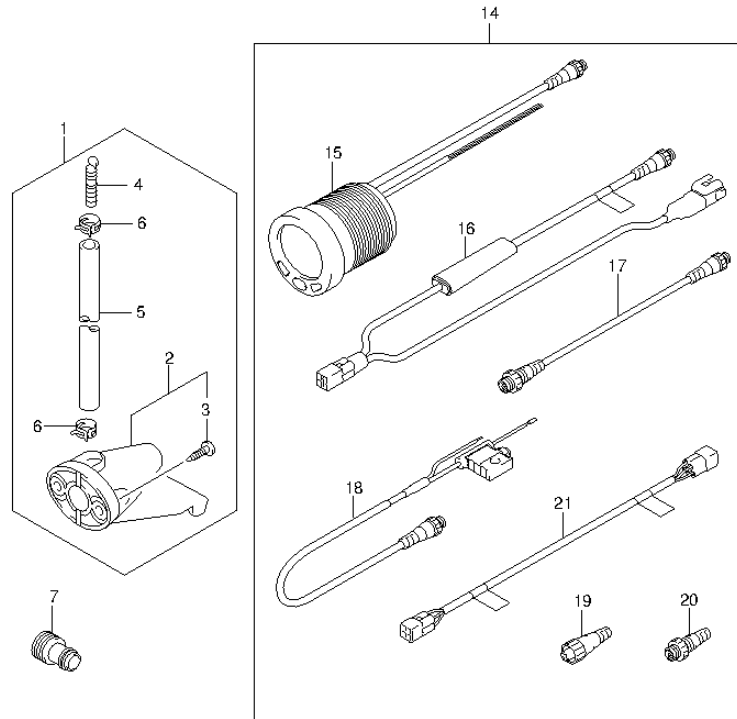
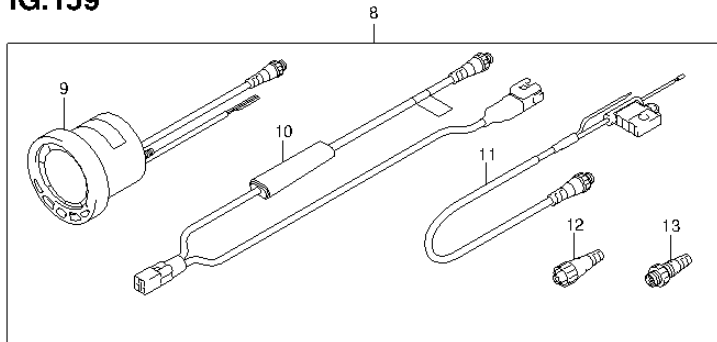


FIG.159 (2-E-6) OPT:METER KIT (DF70ATH E01)

REF NO.	PART NO.	DESCRIPTION	Q'TY	REMARKS
1	34120-98J01	KIT, SPEEDOMETER SUB	1	
2	34190-95500	.SENDER ASSY, SPEEDOMETER	1	
3	03112-06303	..SCREW	2	
4	55127-87D00	.UNION, HOSE	1	
5	09355-40805-00B	.HOSE (4X8X2000)	1	L:2000->1700
6	09407-10404	.CLAMP (L:100)	2	
7	17917-87L00	CONNECTOR, FLUSH WATER	1	
8	34011-88L02	KIT, 4 IN MULTI GAUGE	1	
9	34200-88L02	.GAUGE ASSY, 4 IN MULTI	1	
10	34922-88L01	.UNIT, INTERFACE	1	
11	36663-88L00	.HARNES ASSY, NETWORK POWER	1	
12	36665-88L00	.UNIT, RESISTOR FEMALE	1	
13	36665-88L10	.UNIT, RESISTOR MALE	1	
14	34011-88L12	KIT, 2 IN MULTI GAUGE	1	
15	34800-88L01	.GAUGE ASSY, 2 IN MULTI	1	
16	34922-88L01	.UNIT, INTERFACE	1	
17	36662-88L00	.WIRE, 25 EXTENSION	1	
18	36663-88L00	.HARNES ASSY, NETWORK POWER	1	
19	36665-88L00	.UNIT, RESISTOR FEMALE	1	
20	36665-88L10	.UNIT, RESISTOR MALE	1	
21	36668-88L00	.WIRE, ADAPTER TO DIAGNS	1	

FIG.160

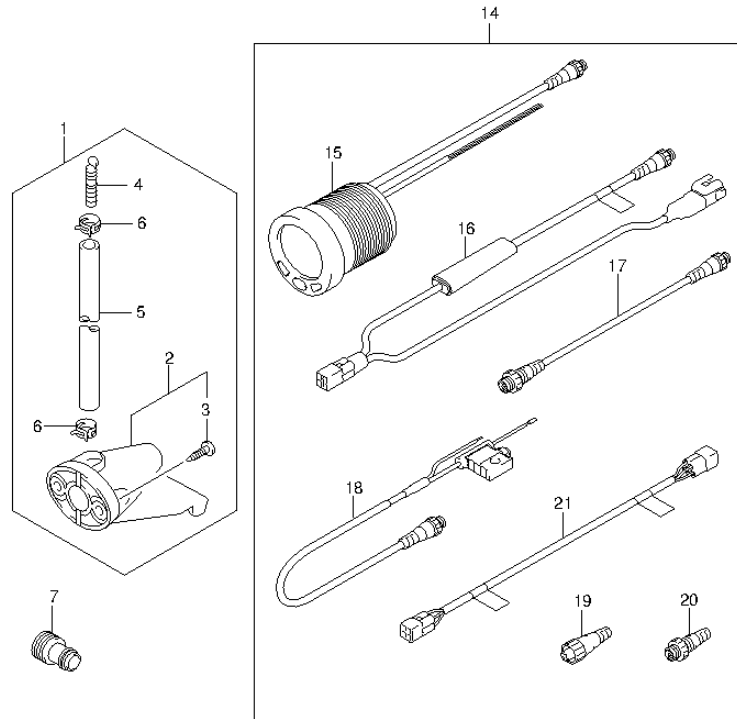
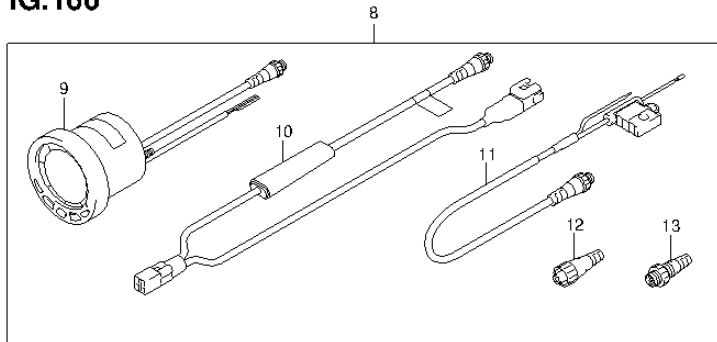


FIG.160 (2-E-7) OPT:METER KIT (DF70ATH E40)

REF NO.	PART NO.	DESCRIPTION	Q'TY	REMARKS
1	34120-98J01	KIT, SPEEDOMETER SUB	1	
2	34190-95500	.SENDER ASSY, SPEEDOMETER	1	
3	03112-06303	..SCREW	2	
4	55127-87D00	.UNION, HOSE	1	
5	09355-40805-00B	.HOSE (4X8X2000)	1	L:2000->1700
6	09407-10404	.CLAMP (L:100)	2	
7	17917-87L00	CONNECTOR, FLUSH WATER	1	
8	34011-88L02	KIT, 4 IN MULTI GAUGE	1	
9	34200-88L02	.GAUGE ASSY, 4 IN MULTI	1	
10	34922-88L01	.UNIT, INTERFACE	1	
11	36663-88L00	.HARNES ASSY, NETWORK POWER	1	
12	36665-88L00	.UNIT, RESISTOR FEMALE	1	
13	36665-88L10	.UNIT, RESISTOR MALE	1	
14	34011-88L12	KIT, 2 IN MULTI GAUGE	1	
15	34800-88L01	.GAUGE ASSY, 2 IN MULTI	1	
16	34922-88L01	.UNIT, INTERFACE	1	
17	36662-88L00	.WIRE, 25 EXTENSION	1	
18	36663-88L00	.HARNES ASSY, NETWORK POWER	1	
19	36665-88L00	.UNIT, RESISTOR FEMALE	1	
20	36665-88L10	.UNIT, RESISTOR MALE	1	
21	36668-88L00	.WIRE, ADAPTER TO DIAGNS	1	

FIG.161

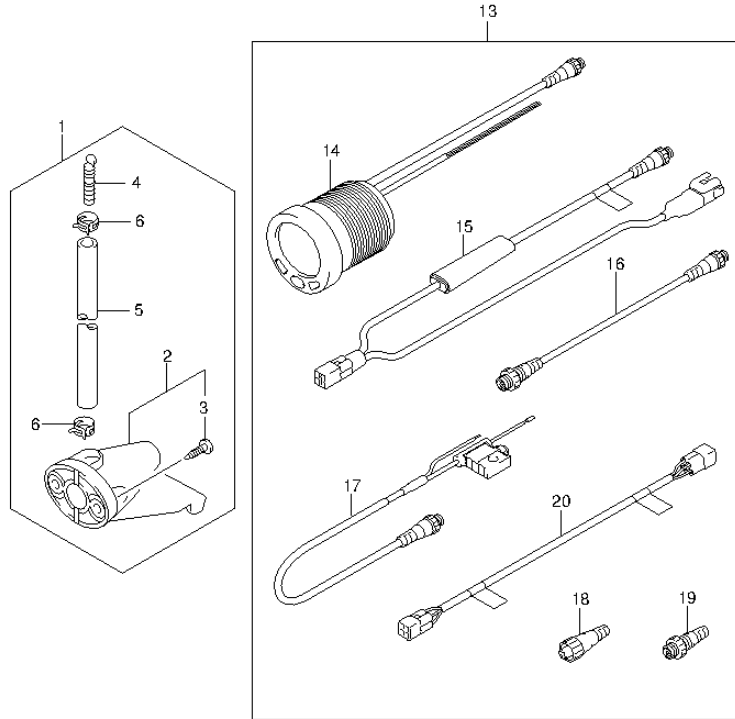
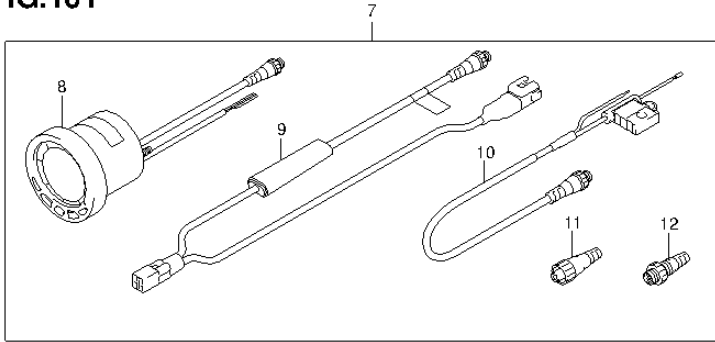


FIG.161 (2-E-8) OPT:METER KIT (DF80A E01)

REF NO.	PART NO.	DESCRIPTION	Q'TY	REMARKS
1	34120-98J01	KIT, SPEEDOMETER SUB	1	
2	34190-95500	.SENDER ASSY, SPEEDOMETER	1	
3	03112-06303	..SCREW	2	
4	55127-87D00	.UNION, HOSE	1	
5	09355-40805-00B	.HOSE (4X8X2000)	1	L:2000->1700
6	09407-10404	.CLAMP (L:100)	2	
7	34011-88L02	KIT, 4 IN MULTI GAUGE	1	
8	34200-88L02	.GAUGE ASSY, 4 IN MULTI	1	
9	34922-88L01	.UNIT, INTERFACE	1	
10	36663-88L00	.HARNES ASSY, NETWORK POWER	1	
11	36665-88L00	.UNIT, RESISTOR FEMALE	1	
12	36665-88L10	.UNIT, RESISTOR MALE	1	
13	34011-88L12	KIT, 2 IN MULTI GAUGE	1	
14	34800-88L01	.GAUGE ASSY, 2 IN MULTI	1	
15	34922-88L01	.UNIT, INTERFACE	1	
16	36662-88L00	.WIRE, 25 EXTENSION	1	
17	36663-88L00	.HARNES ASSY, NETWORK POWER	1	
18	36665-88L00	.UNIT, RESISTOR FEMALE	1	
19	36665-88L10	.UNIT, RESISTOR MALE	1	
20	36668-88L00	.WIRE, ADAPTER TO DIAGNS	1	

FIG.162

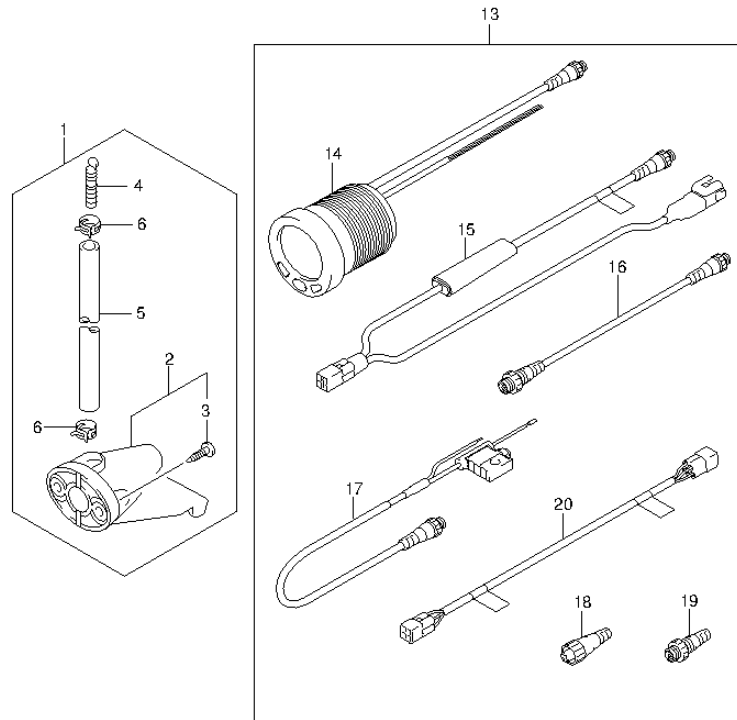
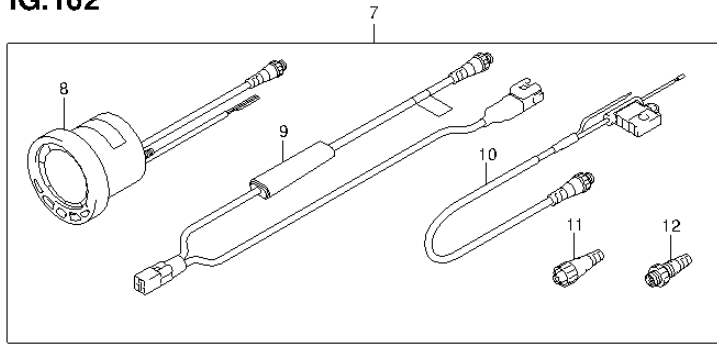


FIG.162 (2-E-9) OPT:METER KIT (DF80A E40)

REF NO.	PART NO.	DESCRIPTION	Q'TY	REMARKS
1	34120-98J01	KIT, SPEEDOMETER SUB	1	
2	34190-95500	.SENDER ASSY, SPEEDOMETER	1	
3	03112-06303	..SCREW	2	
4	55127-87D00	.UNION, HOSE	1	
5	09355-40805-00B	.HOSE (4X8X2000)	1	L:2000->1700
6	09407-10404	.CLAMP (L:100)	2	
7	34011-88L02	KIT, 4 IN MULTI GAUGE	1	
8	34200-88L02	.GAUGE ASSY, 4 IN MULTI	1	
9	34922-88L01	.UNIT, INTERFACE	1	
10	36663-88L00	.HARNESS ASSY, NETWORK POWER	1	
11	36665-88L00	.UNIT, RESISTOR FEMALE	1	
12	36665-88L10	.UNIT, RESISTOR MALE	1	
13	34011-88L12	KIT, 2 IN MULTI GAUGE	1	
14	34800-88L01	.GAUGE ASSY, 2 IN MULTI	1	
15	34922-88L01	.UNIT, INTERFACE	1	
16	36662-88L00	.WIRE, 25 EXTENSION	1	
17	36663-88L00	.HARNESS ASSY, NETWORK POWER	1	
18	36665-88L00	.UNIT, RESISTOR FEMALE	1	
19	36665-88L10	.UNIT, RESISTOR MALE	1	
20	36668-88L00	.WIRE, ADAPTER TO DIAGNS	1	

FIG.163

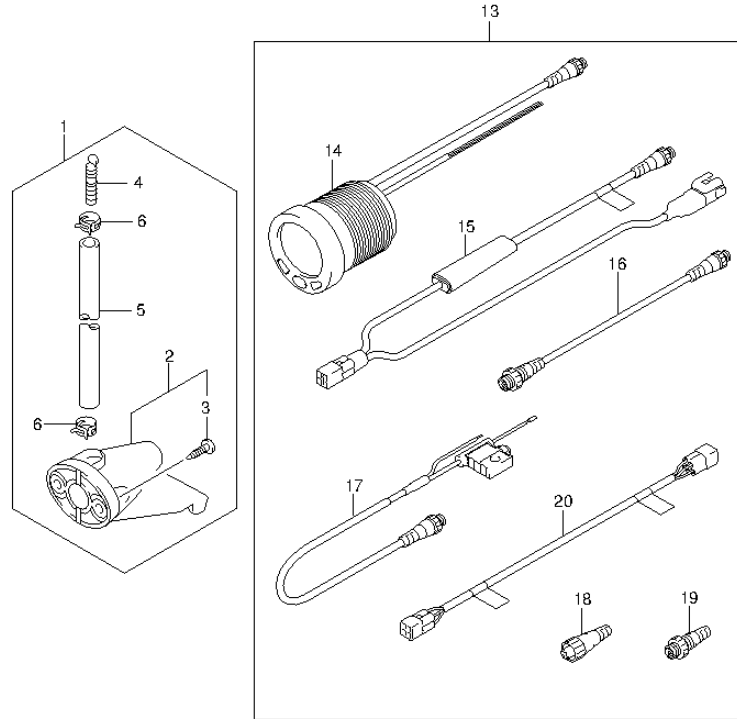
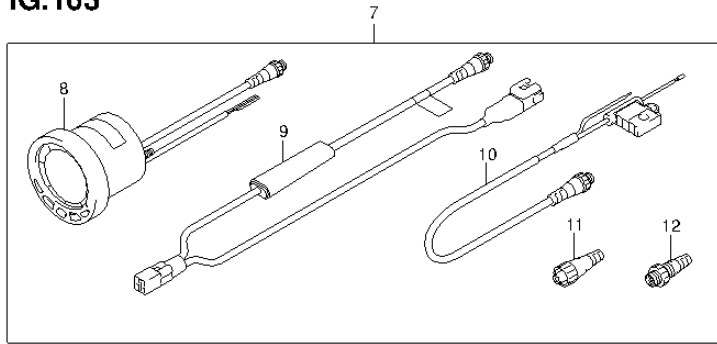


FIG.163 (2-E-10) OPT:METER KIT (DF90A E01)

REF NO.	PART NO.	DESCRIPTION	Q'TY	REMARKS
1	34120-98J01	KIT, SPEEDOMETER SUB	1	
2	34190-95500	.SENDER ASSY, SPEEDOMETER	1	
3	03112-06303	..SCREW	2	
4	55127-87D00	.UNION, HOSE	1	
5	09355-40805-00B	.HOSE (4X8X2000)	1	L:2000->1700
6	09407-10404	.CLAMP (L:100)	2	
7	34011-88L02	KIT, 4 IN MULTI GAUGE	1	
8	34200-88L02	.GAUGE ASSY, 4 IN MULTI	1	
9	34922-88L01	.UNIT, INTERFACE	1	
10	36663-88L00	.HARNES ASSY, NETWORK POWER	1	
11	36665-88L00	.UNIT, RESISTOR FEMALE	1	
12	36665-88L10	.UNIT, RESISTOR MALE	1	
13	34011-88L12	KIT, 2 IN MULTI GAUGE	1	
14	34800-88L01	.GAUGE ASSY, 2 IN MULTI	1	
15	34922-88L01	.UNIT, INTERFACE	1	
16	36662-88L00	.WIRE, 25 EXTENSION	1	
17	36663-88L00	.HARNES ASSY, NETWORK POWER	1	
18	36665-88L00	.UNIT, RESISTOR FEMALE	1	
19	36665-88L10	.UNIT, RESISTOR MALE	1	
20	36668-88L00	.WIRE, ADAPTER TO DIAGNS	1	

FIG.164

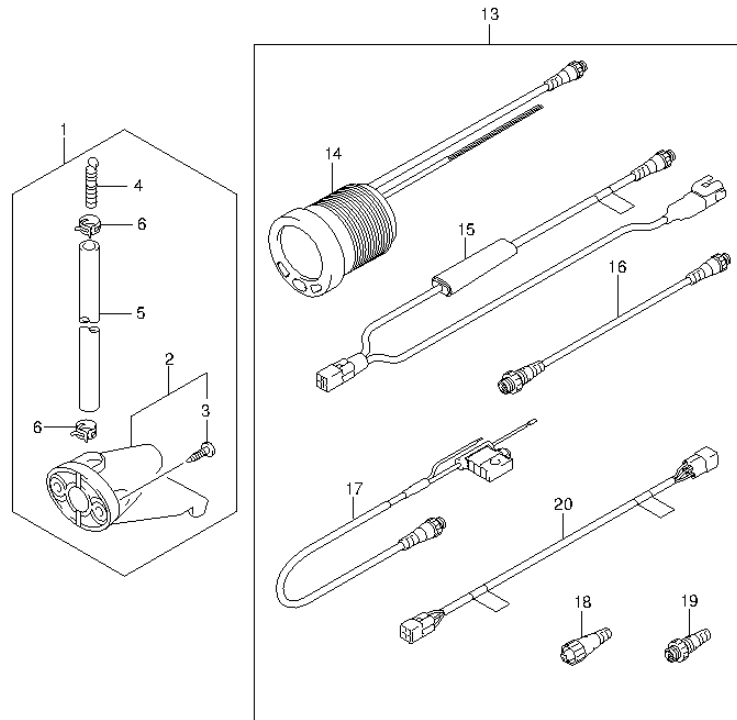
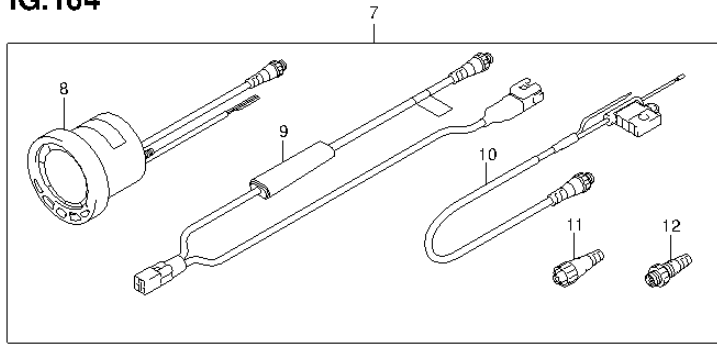


FIG.164 (2-E-11) OPT:METER KIT (DF90A E40)

REF NO.	PART NO.	DESCRIPTION	Q'TY	REMARKS
1	34120-98J01	KIT, SPEEDOMETER SUB	1	
2	34190-95500	.SENDER ASSY, SPEEDOMETER	1	
3	03112-06303	..SCREW	2	
4	55127-87D00	.UNION, HOSE	1	
5	09355-40805-00B	.HOSE (4X8X2000)	1	L:2000->1700
6	09407-10404	.CLAMP (L:100)	2	
7	34011-88L02	KIT, 4 IN MULTI GAUGE	1	
8	34200-88L02	.GAUGE ASSY, 4 IN MULTI	1	
9	34922-88L01	.UNIT, INTERFACE	1	
10	36663-88L00	.HARNES ASSY, NETWORK POWER	1	
11	36665-88L00	.UNIT, RESISTOR FEMALE	1	
12	36665-88L10	.UNIT, RESISTOR MALE	1	
13	34011-88L12	KIT, 2 IN MULTI GAUGE	1	
14	34800-88L01	.GAUGE ASSY, 2 IN MULTI	1	
15	34922-88L01	.UNIT, INTERFACE	1	
16	36662-88L00	.WIRE, 25 EXTENSION	1	
17	36663-88L00	.HARNES ASSY, NETWORK POWER	1	
18	36665-88L00	.UNIT, RESISTOR FEMALE	1	
19	36665-88L10	.UNIT, RESISTOR MALE	1	
20	36668-88L00	.WIRE, ADAPTER TO DIAGNS	1	

FIG.165

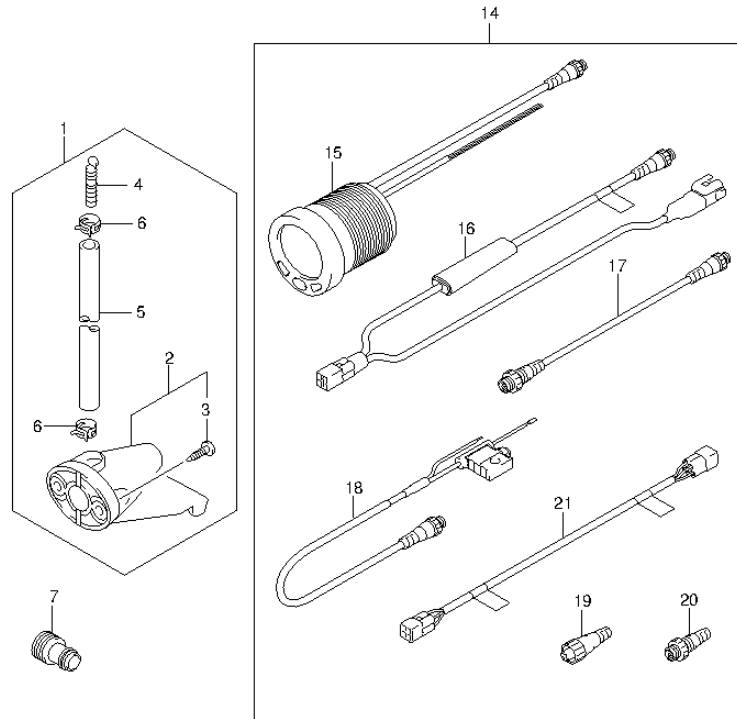
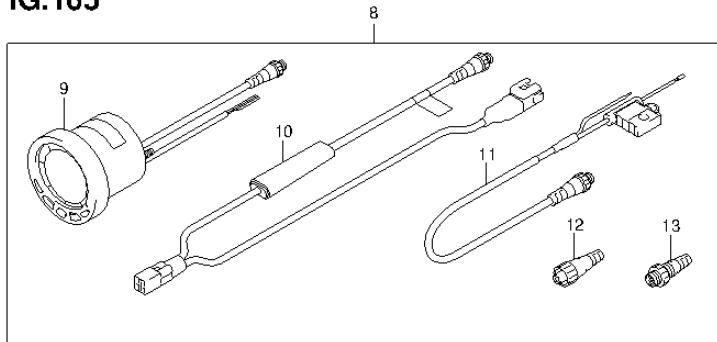


FIG.165 (2-E-12) OPT:METER KIT (DF90ATH E01)

REF NO.	PART NO.	DESCRIPTION	Q'TY	REMARKS
1	34120-98J01	KIT, SPEEDOMETER SUB	1	
2	34190-95500	.SENDER ASSY, SPEEDOMETER	1	
3	03112-06303	..SCREW	2	
4	55127-87D00	.UNION, HOSE	1	
5	09355-40805-00B	.HOSE (4X8X2000)	1	L:2000->1700
6	09407-10404	.CLAMP (L:100)	2	
7	17917-87L00	CONNECTOR, FLUSH WATER	1	
8	34011-88L02	KIT, 4 IN MULTI GAUGE	1	
9	34200-88L02	.GAUGE ASSY, 4 IN MULTI	1	
10	34922-88L01	.UNIT, INTERFACE	1	
11	36663-88L00	.HARNES ASSY, NETWORK POWER	1	
12	36665-88L00	.UNIT, RESISTOR FEMALE	1	
13	36665-88L10	.UNIT, RESISTOR MALE	1	
14	34011-88L12	KIT, 2 IN MULTI GAUGE	1	
15	34800-88L01	.GAUGE ASSY, 2 IN MULTI	1	
16	34922-88L01	.UNIT, INTERFACE	1	
17	36662-88L00	.WIRE, 25 EXTENSION	1	
18	36663-88L00	.HARNES ASSY, NETWORK POWER	1	
19	36665-88L00	.UNIT, RESISTOR FEMALE	1	
20	36665-88L10	.UNIT, RESISTOR MALE	1	
21	36668-88L00	.WIRE, ADAPTER TO DIAGNS	1	

FIG.166

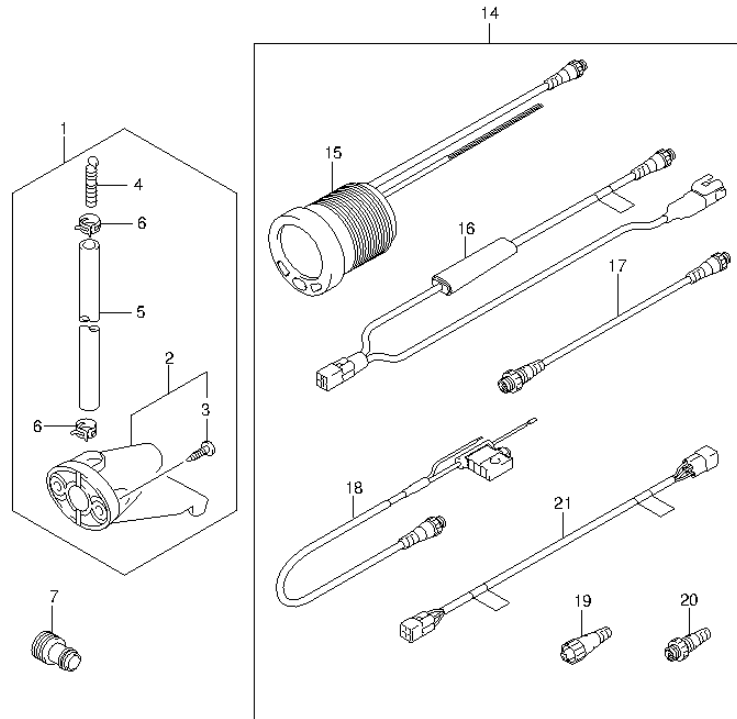
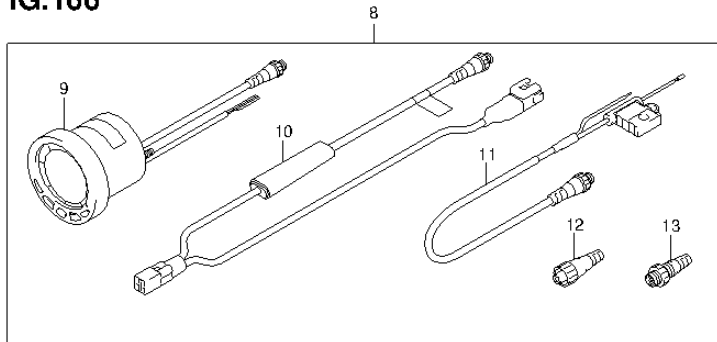


FIG.166 (2-E-13) OPT:METER KIT (DF90ATH E40)

REF NO.	PART NO.	DESCRIPTION	Q'TY	REMARKS
1	34120-98J01	KIT, SPEEDOMETER SUB	1	
2	34190-95500	.SENDER ASSY, SPEEDOMETER	1	
3	03112-06303	..SCREW	2	
4	55127-87D00	.UNION, HOSE	1	
5	09355-40805-00B	.HOSE (4X8X2000)	1	L:2000->1700
6	09407-10404	.CLAMP (L:100)	2	
7	17917-87L00	CONNECTOR, FLUSH WATER	1	
8	34011-88L02	KIT, 4 IN MULTI GAUGE	1	
9	34200-88L02	.GAUGE ASSY, 4 IN MULTI	1	
10	34922-88L01	.UNIT, INTERFACE	1	
11	36663-88L00	.HARNES ASSY, NETWORK POWER	1	
12	36665-88L00	.UNIT, RESISTOR FEMALE	1	
13	36665-88L10	.UNIT, RESISTOR MALE	1	
14	34011-88L12	KIT, 2 IN MULTI GAUGE	1	
15	34800-88L01	.GAUGE ASSY, 2 IN MULTI	1	
16	34922-88L01	.UNIT, INTERFACE	1	
17	36662-88L00	.WIRE, 25 EXTENSION	1	
18	36663-88L00	.HARNES ASSY, NETWORK POWER	1	
19	36665-88L00	.UNIT, RESISTOR FEMALE	1	
20	36665-88L10	.UNIT, RESISTOR MALE	1	
21	36668-88L00	.WIRE, ADAPTER TO DIAGNS	1	

FIG.167

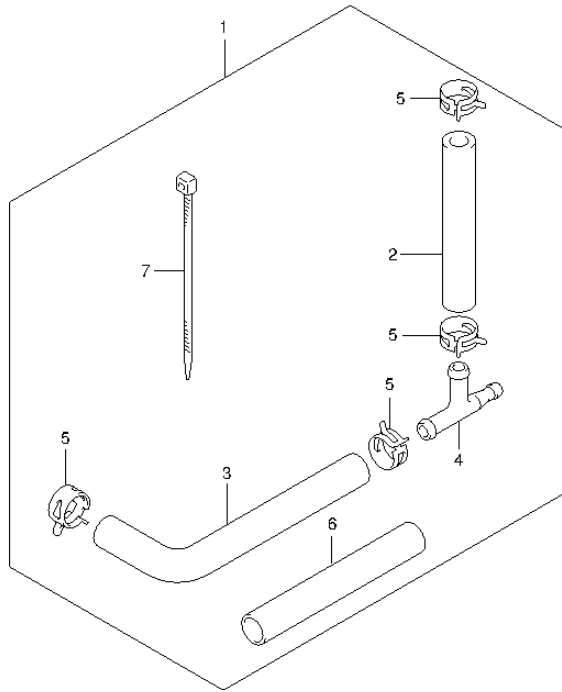


FIG.167 (2-E-14) OPT:WATER PRESSURE GAUGE SUB KIT

REF NO.	PART NO.	DESCRIPTION	Q'TY	REMARKS
1	34660-90J02	WATER PRESSURE GAUGE SUB KIT	1	
2	09352-50903-600	.HOSE (5X9X600)	1	L:600->160
3	09352-50903-600	.HOSE (5X9X600)	1	L:600->210
4	09367-06006	.3 WAY	1	
5	09401-08413	.CLIP	4	
6	18498-99EA0	.PROTECTOR (L:80)	1	
7	09407-25402	.CLAMP (L:248)	1	

FIG.168

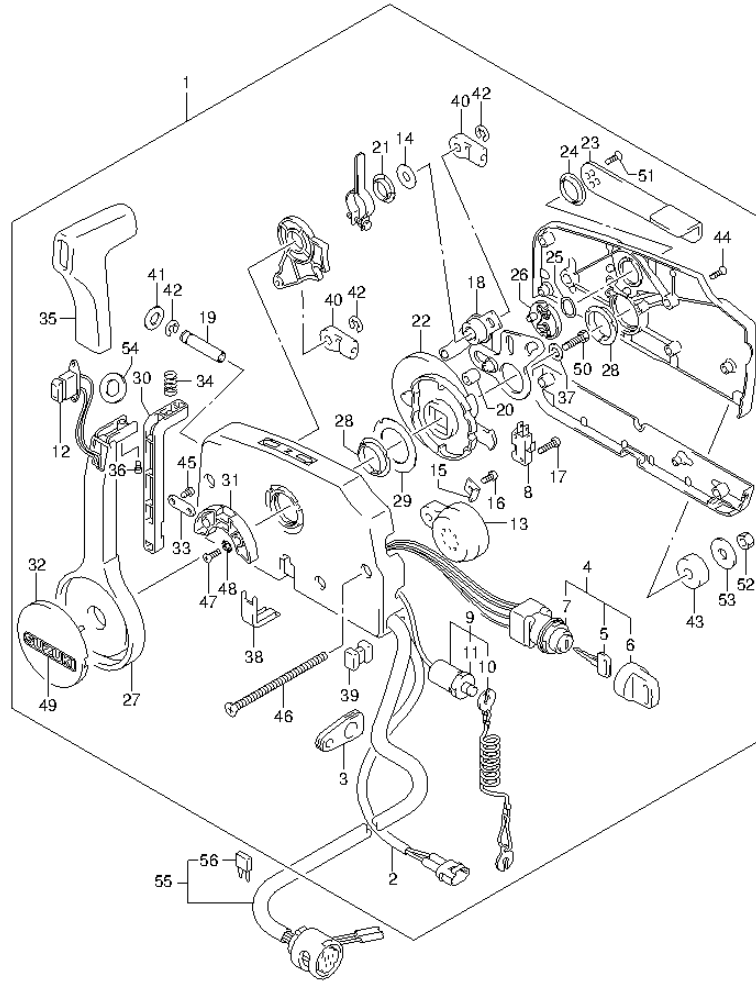


FIG.168 (2-E-15) OPT:REMOTE CONTROL (DF70A E01)

REF NO.	PART NO.	DESCRIPTION	Q'TY	REMARKS
1	67200-93J06	REMOTE CONTROL ASSY	1	
2	36646-93J01	..WIRE ASSY, PTT SW ADAPTER	1	
3	36628-92E00	..GROMMET, WIRE HARNESS	1	
4	37110-93J11	..SWITCH ASSY, IGNITION	1	
5-1	37141-99E00	..KEY (931)	2	
5-2	37141-99E10	..KEY (932)	2	
5-3	37141-99E20	..KEY (933)	2	
5-4	37141-99E30	..KEY (934)	2	
5-5	37141-99E40	..KEY (935)	2	
5-6	37141-99E50	..KEY (936)	2	
5-7	37141-99E60	..KEY (937)	2	
5-8	37141-99E70	..KEY (938)	2	
5-9	37141-99E80	..KEY (939)	2	
5-10	37141-99E90	..KEY (940)	2	
5-11	37141-99EA0	..KEY (941)	2	
5-12	37141-99EB0	..KEY (942)	2	
6	37143-99E00	..CAP, KEY	2	
7	37149-93J00	..CAP CYLINDER BODY	1	
8	37721-93J91	..SWITCH, NEUTRAL	1	
9	37820-93J03	..SWITCH ASSY, EMERGENCY	1	
10	37823-92E01	..PLATE	1	
11	37826-92E00	..NUT	1	
12	37850-90J05	..SWITCH ASSY, PTT	1	
13	38500-93J90	..BUZZER	1	
14	67212-95600	..WASHER	1	
15	67213-92E00	..BRACKET, BUZZER	1	
16	09125-05042	..SCREW (5X10)	1	
17	67296-92E11	..SCREW, NEUTRAL SW	2	
18	67220-95630	..PLATE ASSY	1	
19	67223-99E10	..KNOB, BRAKE ADJ	1	
20	67229-95600	..ROLLER	1	
21	67232-95600	..BUSH	1	
22	67238-87D00	..GEAR, DRIVE	1	
23	67241-99E10	..LEVER, FREE THROTTLE	1	

FIG.168

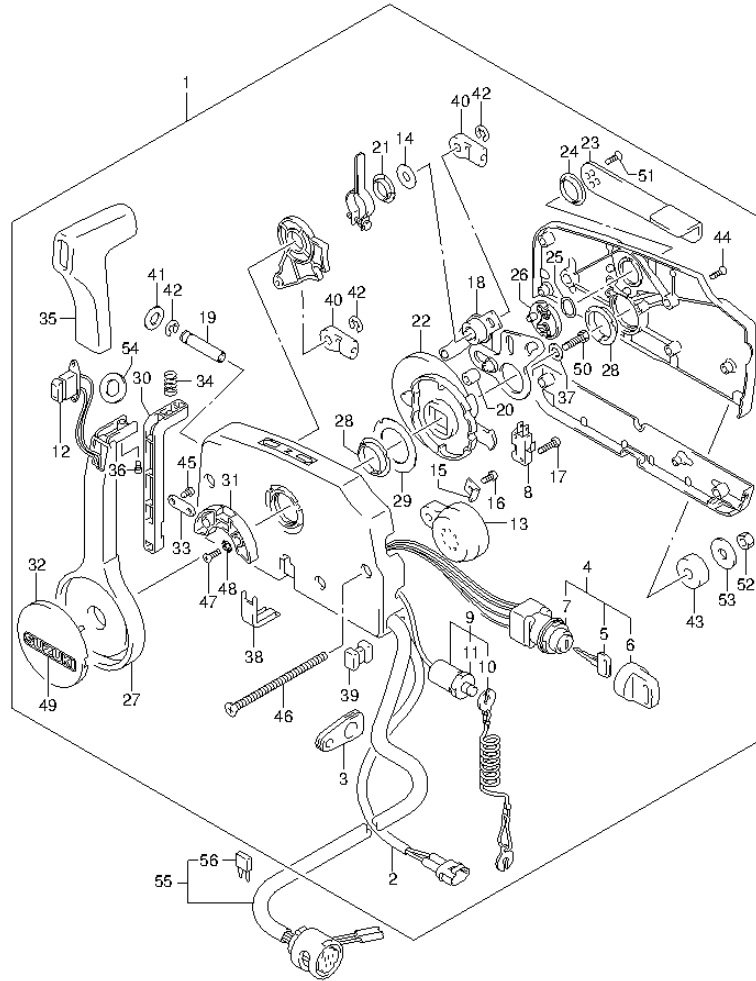


FIG.168 (2-F-2) OPT:REMOTE CONTROL (DF70A E01)

REF NO.	PART NO.	DESCRIPTION	Q'TY	REMARKS
24	67243-95600	.BUSH	1	
25	67244-95600	.WASHER, WAVE	1	
26	67245-95600	.DRUM, FREE THROTTLE	1	
27	67251-99E10	.LEVER, HANDLE	1	
28	67252-95600	.BUSH	2	
29	67253-95600	.WASHER	1	
30	67255-99E00	.ARM, LOCK	1	
31	67256-95600	.HOLDER, NEUT LOCK	1	
32	67257-99E00	.CAP, LEVER	1	
33	67258-99E00	.BRACKET, LOCK ARM	1	
34	67259-87D00	.SPRING, NEUTRAL ARM	1	
35	67261-99E00	.GRIP	1	
36	67296-94310	.SCREW	1	
37	67264-95600	.WASHER	1	
38	67267-93J00	.COVER, WIRE	1	
39	67273-95600	.SPACER	1	
40	67275-95600	.END, CABLE	2	
41	67288-92E00	.WASHER, BRAKE ADJ KNOB	1	
42	67292-94300	E RING	3	
43	67294-95600	.SPACER	3	
44	67296-90J00	.SCREW	5	
45	67296-94300	.SCREW	2	
46	67296-95600	.SCREW	3	
47	67296-95610	.SCREW	2	
48	67297-95600	.WASHER	2	
49	68165-16B00-13L	.EMBLEM (SILVER)	1	
50	09100-08232	.BOLT (8X30)	1	
51	09126-05003	.SCREW (5X12)	2	
52	09140-06020	.NUT	3	
53	09160-06104	.WASHER (6.5X24X2)	3	
54	37859-90J00	.SPACER	1	

FIG.168

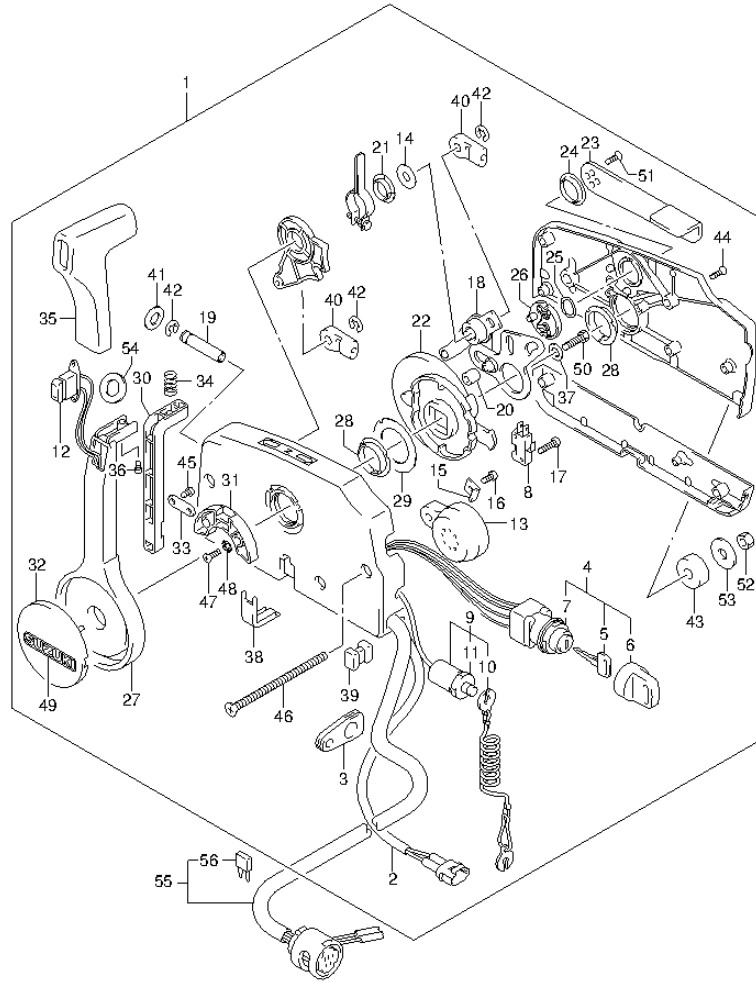


FIG.168 (2-F-3) OPT:REMOTE CONTROL (DF70A E01)

REF NO.	PART NO.	DESCRIPTION	Q'TY	REMARKS
55-1	36620-93J02	WIRE ASSY, REMOTE CONTROL	1	L:5000
55-2	36620-93J52	WIRE ASSY, REMOTE CONTROL	1	L:3500
55-3	36620-93J62	WIRE ASSY, REMOTE CONTROL	1	L:6500
56	09481-10501	.FUSE (10A)	1	

FIG.169

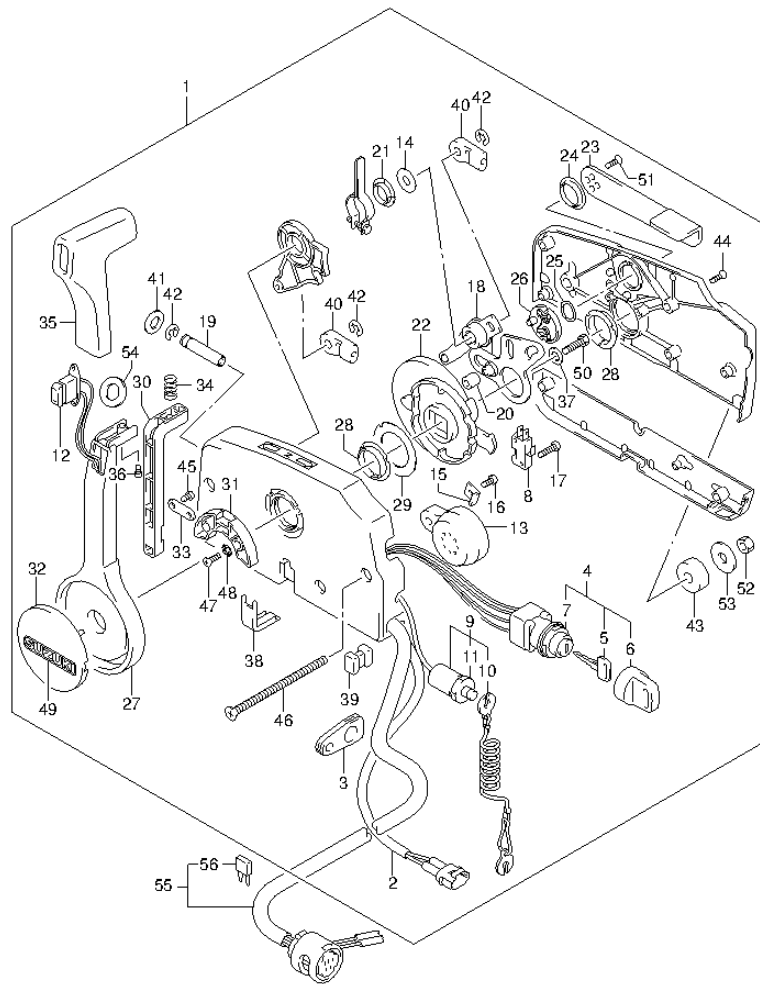


FIG.169 (2-F-4) OPT:REMOTE CONTROL (DF70A E40)

REF NO.	PART NO.	DESCRIPTION	Q'TY	REMARKS
1	67200-93J06	REMOTE CONTROL ASSY	1	
2	36646-93J01	..WIRE ASSY, PTT SW ADAPTER	1	
3	36628-92E00	..GROMMET, WIRE HARNESS	1	
4	37110-93J11	..SWITCH ASSY, IGNITION	1	
5-1	37141-99E00	..KEY (931)	2	
5-2	37141-99E10	..KEY (932)	2	
5-3	37141-99E20	..KEY (933)	2	
5-4	37141-99E30	..KEY (934)	2	
5-5	37141-99E40	..KEY (935)	2	
5-6	37141-99E50	..KEY (936)	2	
5-7	37141-99E60	..KEY (937)	2	
5-8	37141-99E70	..KEY (938)	2	
5-9	37141-99E80	..KEY (939)	2	
5-10	37141-99E90	..KEY (940)	2	
5-11	37141-99EA0	..KEY (941)	2	
5-12	37141-99EB0	..KEY (942)	2	
6	37143-99E00	..CAP, KEY	2	
7	37149-93J00	..CAP CYLINDER BODY	1	
8	37721-93J91	..SWITCH, NEUTRAL	1	
9	37820-93J03	..SWITCH ASSY, EMERGENCY	1	
10	37823-92E01	..PLATE	1	
11	37826-92E00	..NUT	1	
12	37850-90J05	..SWITCH ASSY, PTT	1	
13	38500-93J90	..BUZZER	1	
14	67212-95600	..WASHER	1	
15	67213-92E00	..BRACKET, BUZZER	1	
16	09125-05042	..SCREW (5X10)	1	
17	67296-92E11	..SCREW, NEUTRAL SW	2	
18	67220-95630	..PLATE ASSY	1	
19	67223-99E10	..KNOB, BRAKE ADJ	1	
20	67229-95600	..ROLLER	1	
21	67232-95600	..BUSH	1	
22	67238-87D00	..GEAR, DRIVE	1	
23	67241-99E10	..LEVER, FREE THROTTLE	1	

FIG.169

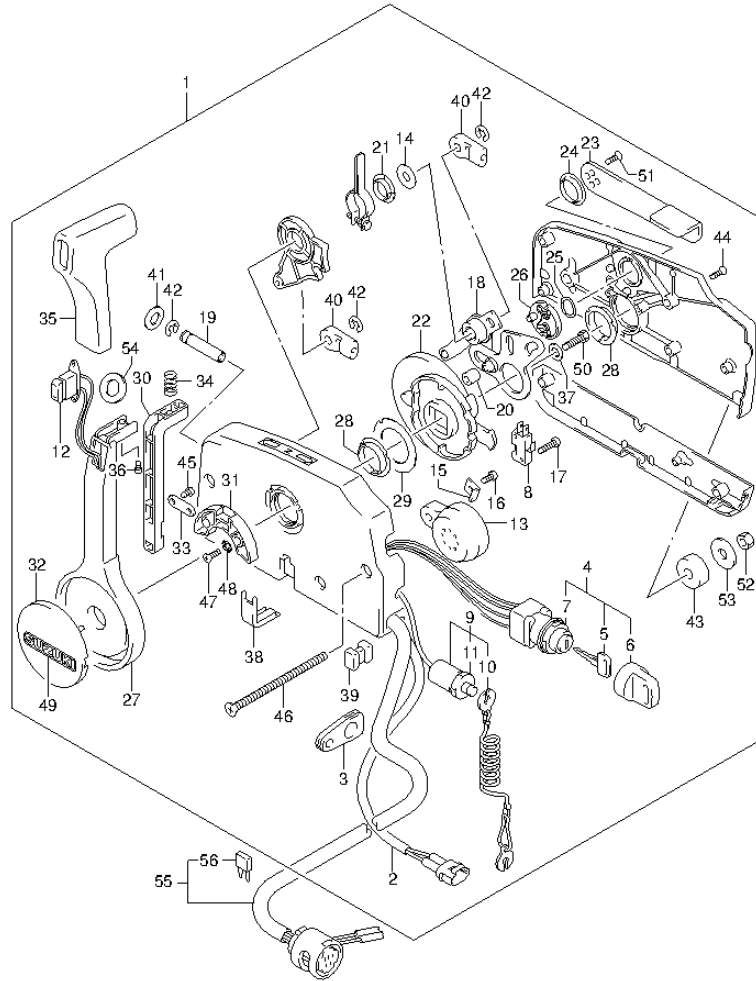


FIG.169 (2-F-5) OPT:REMOTE CONTROL (DF70A E40)

REF NO.	PART NO.	DESCRIPTION	Q'TY	REMARKS
24	67243-95600	.BUSH	1	
25	67244-95600	.WASHER, WAVE	1	
26	67245-95600	.DRUM, FREE THROTTLE	1	
27	67251-99E10	.LEVER, HANDLE	1	
28	67252-95600	.BUSH	2	
29	67253-95600	.WASHER	1	
30	67255-99E00	.ARM, LOCK	1	
31	67256-95600	.HOLDER, NEUT LOCK	1	
32	67257-99E00	.CAP, LEVER	1	
33	67258-99E00	.BRACKET, LOCK ARM	1	
34	67259-87D00	.SPRING, NEUTRAL ARM	1	
35	67261-99E00	.GRIP	1	
36	67296-94310	.SCREW	1	
37	67264-95600	.WASHER	1	
38	67267-93J00	.COVER, WIRE	1	
39	67273-95600	.SPACER	1	
40	67275-95600	.END, CABLE	2	
41	67288-92E00	.WASHER, BRAKE ADJ KNOB	1	
42	67292-94300	E RING	3	
43	67294-95600	.SPACER	3	
44	67296-90J00	.SCREW	5	
45	67296-94300	.SCREW	2	
46	67296-95600	.SCREW	3	
47	67296-95610	.SCREW	2	
48	67297-95600	.WASHER	2	
49	68165-16B00-13L	.EMBLEM (SILVER)	1	
50	09100-08232	.BOLT (8X30)	1	
51	09126-05003	.SCREW (5X12)	2	
52	09140-06020	.NUT	3	
53	09160-06104	.WASHER (6.5X24X2)	3	
54	37859-90J00	.SPACER	1	

FIG.169

FIG.169 (2-F-6) OPT:REMOTE CONTROL (DF70A E40)

REF NO.	PART NO.	DESCRIPTION	Q'TY	REMARKS
55-1	36620-93J02	WIRE ASSY, REMOTE CONTROL	1	L:5000
55-2	36620-93J52	WIRE ASSY, REMOTE CONTROL	1	L:3500
55-3	36620-93J62	WIRE ASSY, REMOTE CONTROL	1	L:6500
56	09481-10501	.FUSE (10A)	1	

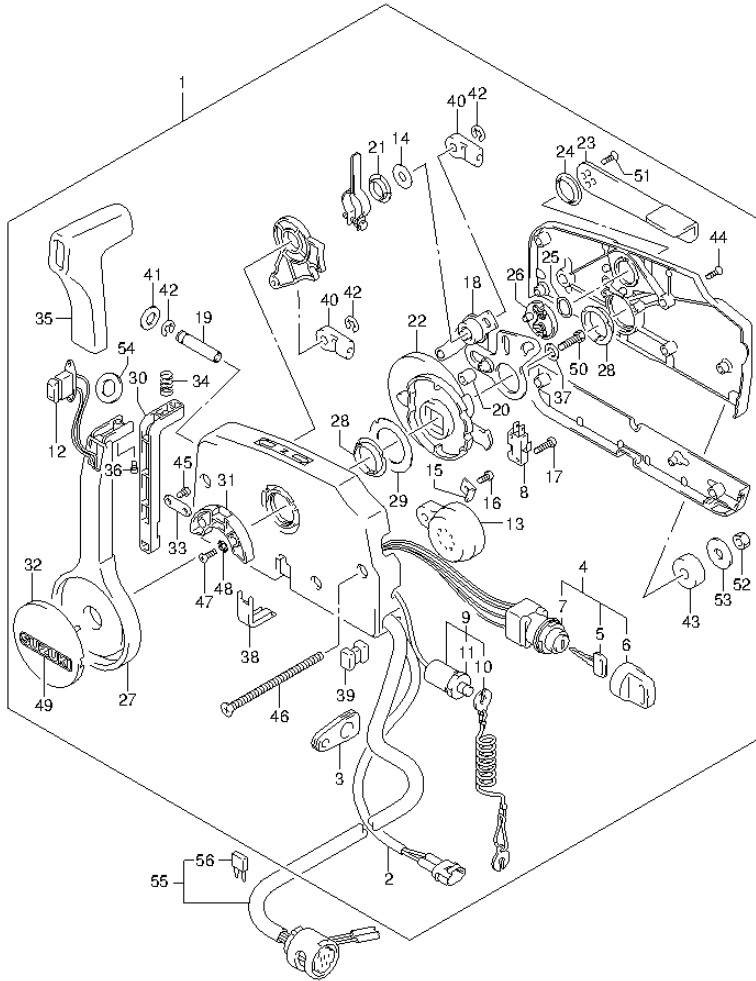


FIG.170

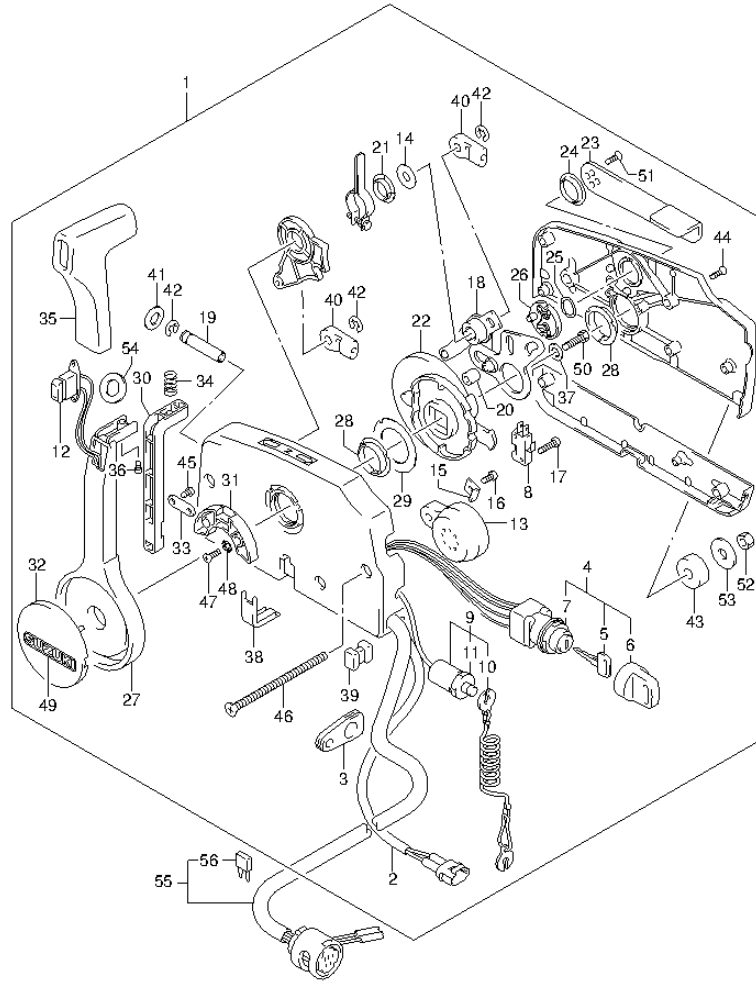


FIG.170 (2-F-7) OPT:REMOTE CONTROL (DF80A E01)

REF NO.	PART NO.	DESCRIPTION	Q'TY	REMARKS
1	67200-93J06	REMOTE CONTROL ASSY	1	
2	36646-93J01	..WIRE ASSY, PTT SW ADAPTER	1	
3	36628-92E00	..GROMMET, WIRE HARNESS	1	
4	37110-93J11	..SWITCH ASSY, IGNITION	1	
5-1	37141-99E00	..KEY (931)	2	
5-2	37141-99E10	..KEY (932)	2	
5-3	37141-99E20	..KEY (933)	2	
5-4	37141-99E30	..KEY (934)	2	
5-5	37141-99E40	..KEY (935)	2	
5-6	37141-99E50	..KEY (936)	2	
5-7	37141-99E60	..KEY (937)	2	
5-8	37141-99E70	..KEY (938)	2	
5-9	37141-99E80	..KEY (939)	2	
5-10	37141-99E90	..KEY (940)	2	
5-11	37141-99EA0	..KEY (941)	2	
5-12	37141-99EB0	..KEY (942)	2	
6	37143-99E00	..CAP, KEY	2	
7	37149-93J00	..CAP CYLINDER BODY	1	
8	37721-93J91	..SWITCH, NEUTRAL	1	
9	37820-93J03	..SWITCH ASSY, EMERGENCY	1	
10	37823-92E01	..PLATE	1	
11	37826-92E00	..NUT	1	
12	37850-90J05	..SWITCH ASSY, PTT	1	
13	38500-93J90	..BUZZER	1	
14	67212-95600	..WASHER	1	
15	67213-92E00	..BRACKET, BUZZER	1	
16	09125-05042	..SCREW (5X10)	1	
17	67296-92E11	..SCREW, NEUTRAL SW	2	
18	67220-95630	..PLATE ASSY	1	
19	67223-99E10	..KNOB, BRAKE ADJ	1	
20	67229-95600	..ROLLER	1	
21	67232-95600	..BUSH	1	
22	67238-87D00	..GEAR, DRIVE	1	
23	67241-99E10	..LEVER, FREE THROTTLE	1	

FIG.170

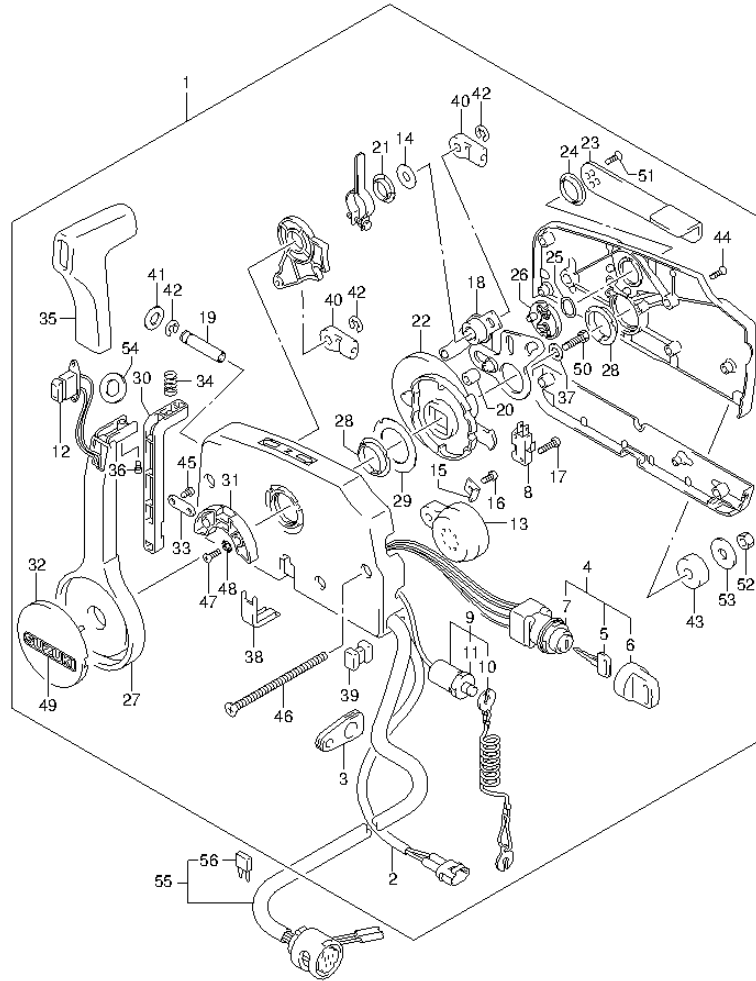


FIG.170 (2-F-8) OPT:REMOTE CONTROL (DF80A E01)

REF NO.	PART NO.	DESCRIPTION	Q'TY	REMARKS
24	67243-95600	.BUSH	1	
25	67244-95600	.WASHER, WAVE	1	
26	67245-95600	.DRUM, FREE THROTTLE	1	
27	67251-99E10	.LEVER, HANDLE	1	
28	67252-95600	.BUSH	2	
29	67253-95600	.WASHER	1	
30	67255-99E00	.ARM, LOCK	1	
31	67256-95600	.HOLDER, NEUT LOCK	1	
32	67257-99E00	.CAP, LEVER	1	
33	67258-99E00	.BRACKET, LOCK ARM	1	
34	67259-87D00	.SPRING, NEUTRAL ARM	1	
35	67261-99E00	.GRIP	1	
36	67296-94310	.SCREW	1	
37	67264-95600	.WASHER	1	
38	67267-93J00	.COVER, WIRE	1	
39	67273-95600	.SPACER	1	
40	67275-95600	.END, CABLE	2	
41	67288-92E00	.WASHER, BRAKE ADJ KNOB	1	
42	67292-94300	E RING	3	
43	67294-95600	.SPACER	3	
44	67296-90J00	.SCREW	5	
45	67296-94300	.SCREW	2	
46	67296-95600	.SCREW	3	
47	67296-95610	.SCREW	2	
48	67297-95600	.WASHER	2	
49	68165-16B00-13L	.EMBLEM (SILVER)	1	
50	09100-08232	.BOLT (8X30)	1	
51	09126-05003	.SCREW (5X12)	2	
52	09140-06020	.NUT	3	
53	09160-06104	.WASHER (6.5X24X2)	3	
54	37859-90J00	.SPACER	1	

FIG.170

FIG.170 (2-F-9) OPT:REMOTE CONTROL (DF80A E01)

REF NO.	PART NO.	DESCRIPTION	Q'TY	REMARKS
55-1	36620-93J02	WIRE ASSY, REMOTE CONTROL	1	L:5000
55-2	36620-93J52	WIRE ASSY, REMOTE CONTROL	1	L:3500
55-3	36620-93J62	WIRE ASSY, REMOTE CONTROL	1	L:6500
56	09481-10501	.FUSE (10A)	1	

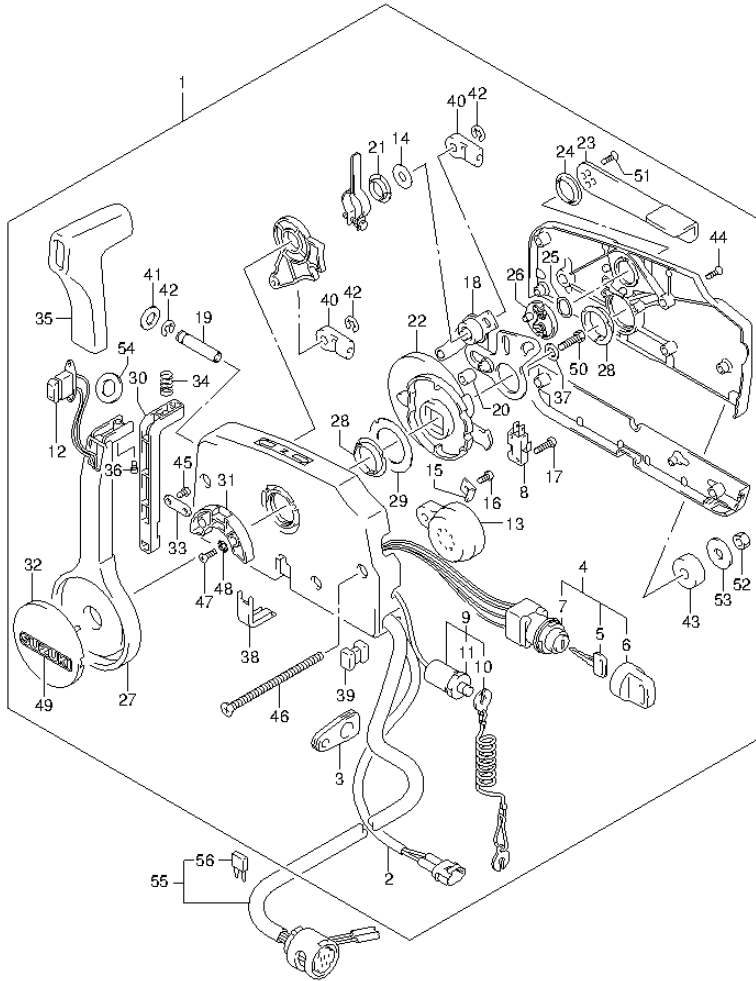


FIG.171

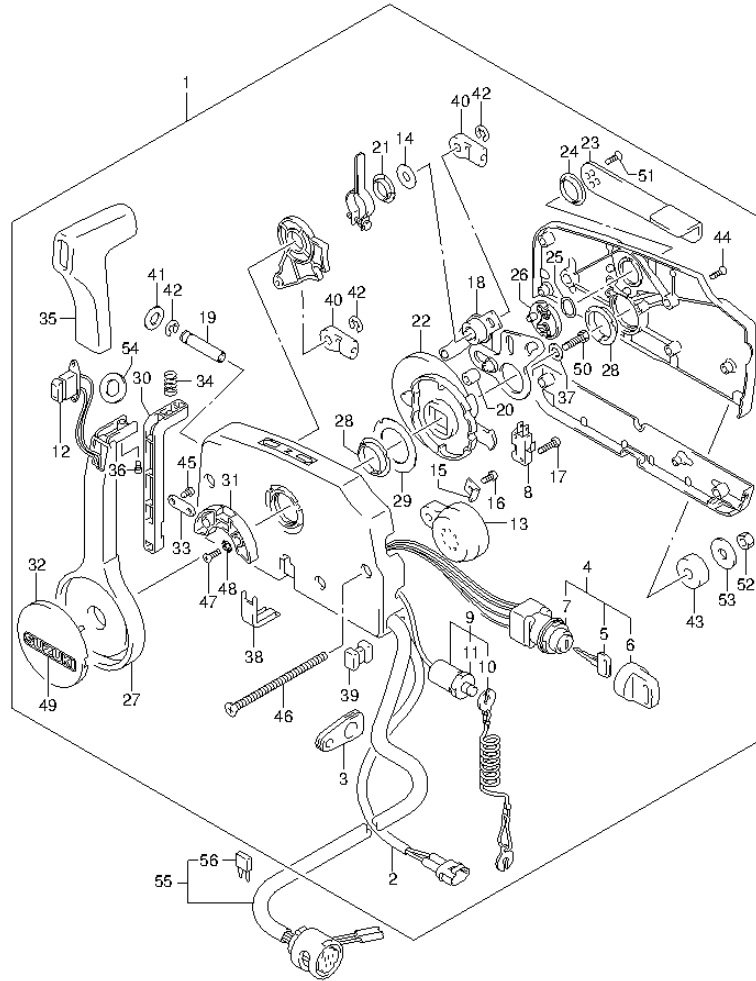


FIG.171 (2-F-10) OPT:REMOTE CONTROL (DF80A E40)

REF NO.	PART NO.	DESCRIPTION	Q'TY	REMARKS
1	67200-93J06	REMOTE CONTROL ASSY	1	
2	36646-93J01	..WIRE ASSY, PTT SW ADAPTER	1	
3	36628-92E00	..GROMMET, WIRE HARNESS	1	
4	37110-93J11	..SWITCH ASSY, IGNITION	1	
5-1	37141-99E00	..KEY (931)	2	
5-2	37141-99E10	..KEY (932)	2	
5-3	37141-99E20	..KEY (933)	2	
5-4	37141-99E30	..KEY (934)	2	
5-5	37141-99E40	..KEY (935)	2	
5-6	37141-99E50	..KEY (936)	2	
5-7	37141-99E60	..KEY (937)	2	
5-8	37141-99E70	..KEY (938)	2	
5-9	37141-99E80	..KEY (939)	2	
5-10	37141-99E90	..KEY (940)	2	
5-11	37141-99EA0	..KEY (941)	2	
5-12	37141-99EB0	..KEY (942)	2	
6	37143-99E00	..CAP, KEY	2	
7	37149-93J00	..CAP CYLINDER BODY	1	
8	37721-93J91	..SWITCH, NEUTRAL	1	
9	37820-93J03	..SWITCH ASSY, EMERGENCY	1	
10	37823-92E01	..PLATE	1	
11	37826-92E00	..NUT	1	
12	37850-90J05	..SWITCH ASSY, PTT	1	
13	38500-93J90	..BUZZER	1	
14	67212-95600	..WASHER	1	
15	67213-92E00	..BRACKET, BUZZER	1	
16	09125-05042	..SCREW (5X10)	1	
17	67296-92E11	..SCREW, NEUTRAL SW	2	
18	67220-95630	..PLATE ASSY	1	
19	67223-99E10	..KNOB, BRAKE ADJ	1	
20	67229-95600	..ROLLER	1	
21	67232-95600	..BUSH	1	
22	67238-87D00	..GEAR, DRIVE	1	
23	67241-99E10	..LEVER, FREE THROTTLE	1	

FIG.171

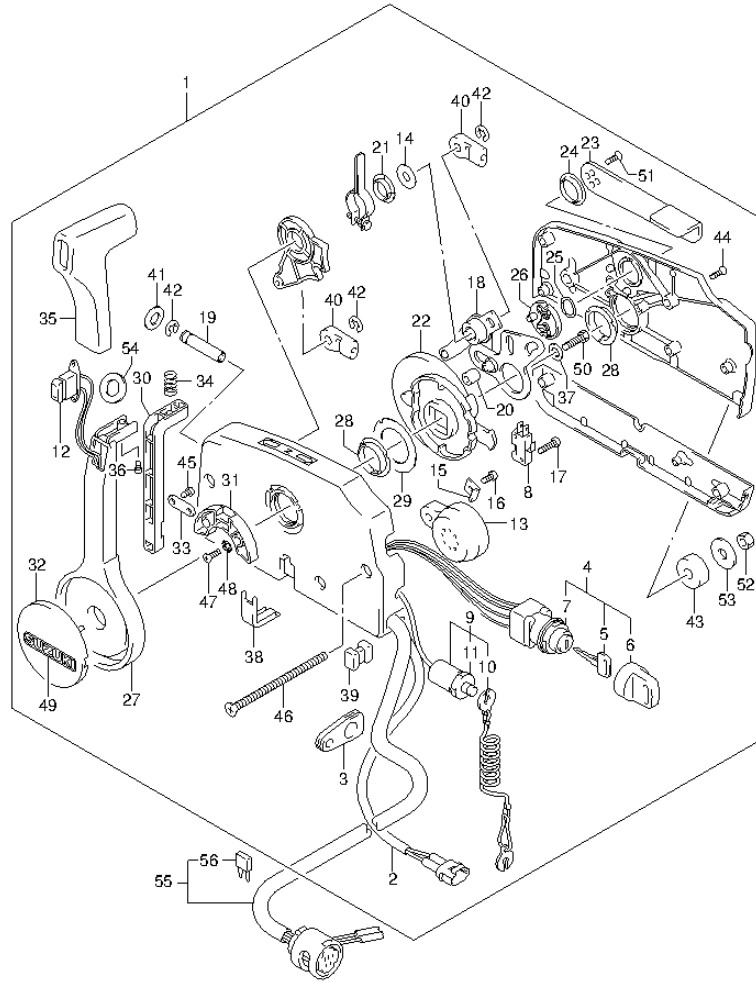


FIG.171 (2-F-11) OPT:REMOTE CONTROL (DF80A E40)

REF NO.	PART NO.	DESCRIPTION	Q'TY	REMARKS
24	67243-95600	.BUSH	1	
25	67244-95600	.WASHER, WAVE	1	
26	67245-95600	.DRUM, FREE THROTTLE	1	
27	67251-99E10	.LEVER, HANDLE	1	
28	67252-95600	.BUSH	2	
29	67253-95600	.WASHER	1	
30	67255-99E00	.ARM, LOCK	1	
31	67256-95600	.HOLDER, NEUT LOCK	1	
32	67257-99E00	.CAP, LEVER	1	
33	67258-99E00	.BRACKET, LOCK ARM	1	
34	67259-87D00	.SPRING, NEUTRAL ARM	1	
35	67261-99E00	.GRIP	1	
36	67296-94310	.SCREW	1	
37	67264-95600	.WASHER	1	
38	67267-93J00	.COVER, WIRE	1	
39	67273-95600	.SPACER	1	
40	67275-95600	.END, CABLE	2	
41	67288-92E00	.WASHER, BRAKE ADJ KNOB	1	
42	67292-94300	E RING	3	
43	67294-95600	.SPACER	3	
44	67296-90J00	.SCREW	5	
45	67296-94300	.SCREW	2	
46	67296-95600	.SCREW	3	
47	67296-95610	.SCREW	2	
48	67297-95600	.WASHER	2	
49	68165-16B00-13L	.EMBLEM (SILVER)	1	
50	09100-08232	.BOLT (8X30)	1	
51	09126-05003	.SCREW (5X12)	2	
52	09140-06020	.NUT	3	
53	09160-06104	.WASHER (6.5X24X2)	3	
54	37859-90J00	.SPACER	1	

FIG.171

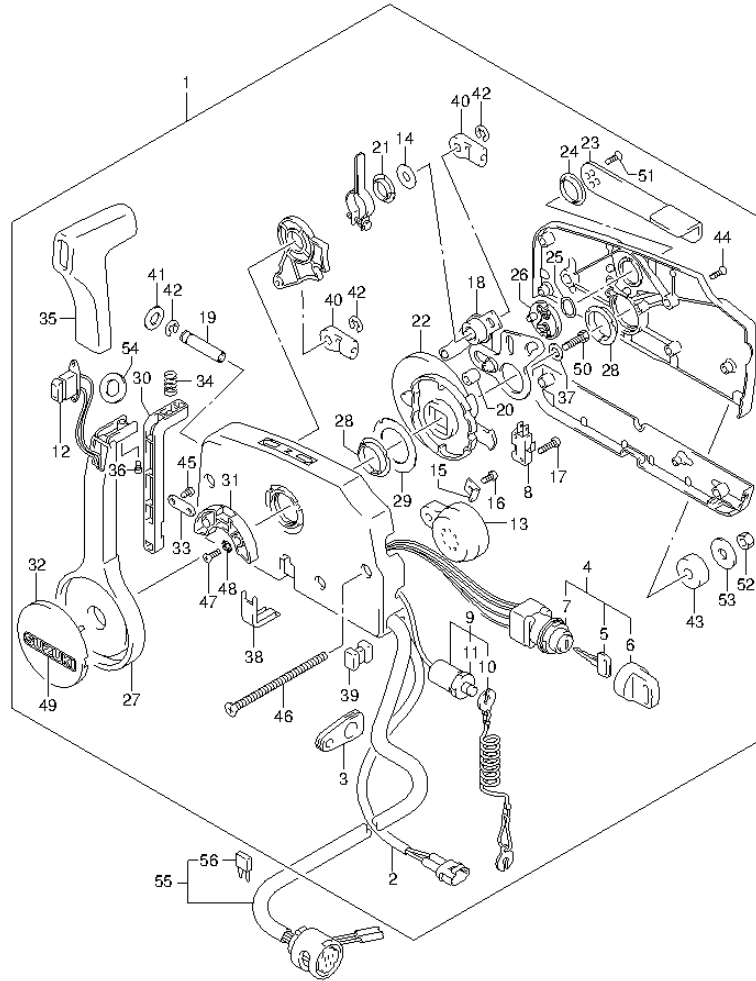


FIG.171 (2-F-12) OPT:REMOTE CONTROL (DF80A E40)

REF NO.	PART NO.	DESCRIPTION	Q'TY	REMARKS
55-1	36620-93J02	WIRE ASSY, REMOTE CONTROL	1	L:5000
55-2	36620-93J52	WIRE ASSY, REMOTE CONTROL	1	L:3500
55-3	36620-93J62	WIRE ASSY, REMOTE CONTROL	1	L:6500
56	09481-10501	.FUSE (10A)	1	

FIG.172

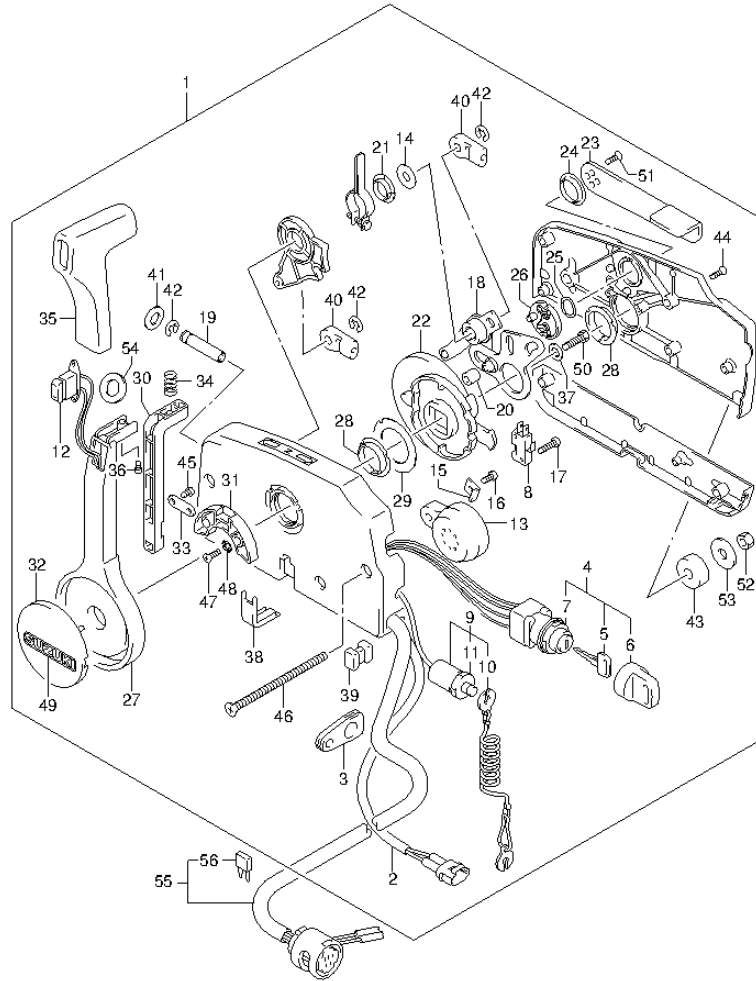


FIG.172 (2-F-13) OPT:REMOTE CONTROL (DF90A E01)

REF NO.	PART NO.	DESCRIPTION	Q'TY	REMARKS
1	67200-93J06	REMOTE CONTROL ASSY	1	
2	36646-93J01	..WIRE ASSY, PTT SW ADAPTER	1	
3	36628-92E00	..GROMMET, WIRE HARNESS	1	
4	37110-93J11	..SWITCH ASSY, IGNITION	1	
5-1	37141-99E00	..KEY (931)	2	
5-2	37141-99E10	..KEY (932)	2	
5-3	37141-99E20	..KEY (933)	2	
5-4	37141-99E30	..KEY (934)	2	
5-5	37141-99E40	..KEY (935)	2	
5-6	37141-99E50	..KEY (936)	2	
5-7	37141-99E60	..KEY (937)	2	
5-8	37141-99E70	..KEY (938)	2	
5-9	37141-99E80	..KEY (939)	2	
5-10	37141-99E90	..KEY (940)	2	
5-11	37141-99EA0	..KEY (941)	2	
5-12	37141-99EB0	..KEY (942)	2	
6	37143-99E00	..CAP, KEY	2	
7	37149-93J00	..CAP CYLINDER BODY	1	
8	37721-93J91	..SWITCH, NEUTRAL	1	
9	37820-93J03	..SWITCH ASSY, EMERGENCY	1	
10	37823-92E01	..PLATE	1	
11	37826-92E00	..NUT	1	
12	37850-90J05	..SWITCH ASSY, PTT	1	
13	38500-93J90	..BUZZER	1	
14	67212-95600	..WASHER	1	
15	67213-92E00	..BRACKET, BUZZER	1	
16	09125-05042	..SCREW (5X10)	1	
17	67296-92E11	..SCREW, NEUTRAL SW	2	
18	67220-95630	..PLATE ASSY	1	
19	67223-99E10	..KNOB, BRAKE ADJ	1	
20	67229-95600	..ROLLER	1	
21	67232-95600	..BUSH	1	
22	67238-87D00	..GEAR, DRIVE	1	
23	67241-99E10	..LEVER, FREE THROTTLE	1	

FIG.172

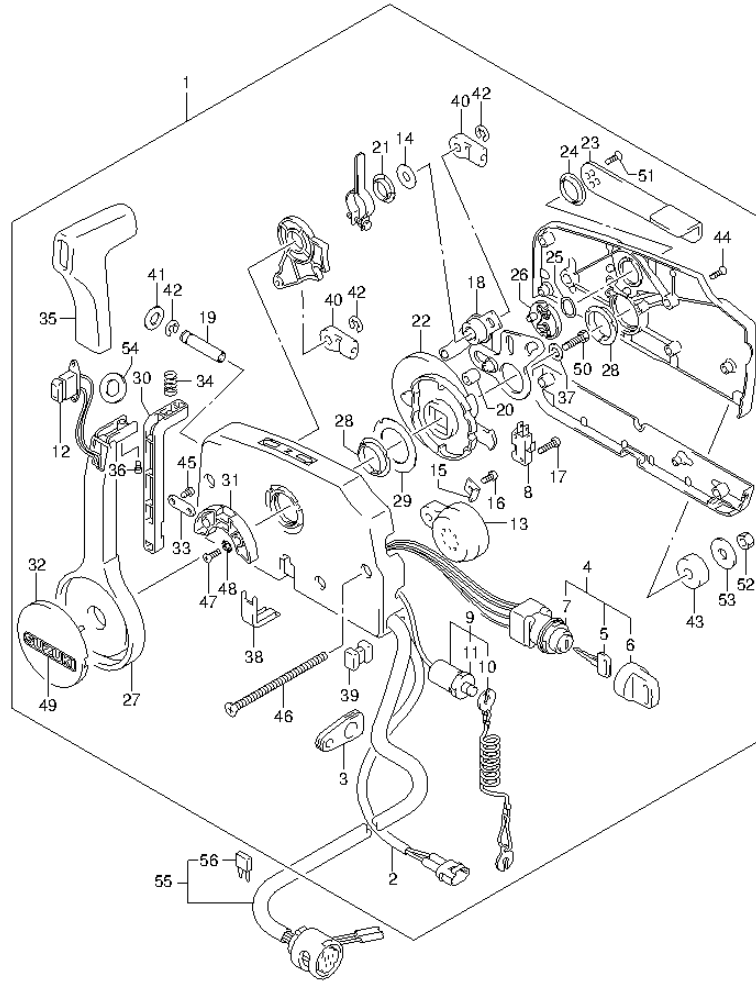


FIG.172 (2-F-14) OPT:REMOTE CONTROL (DF90A E01)

REF NO.	PART NO.	DESCRIPTION	Q'TY	REMARKS
24	67243-95600	.BUSH	1	
25	67244-95600	.WASHER, WAVE	1	
26	67245-95600	.DRUM, FREE THROTTLE	1	
27	67251-99E10	.LEVER, HANDLE	1	
28	67252-95600	.BUSH	2	
29	67253-95600	.WASHER	1	
30	67255-99E00	.ARM, LOCK	1	
31	67256-95600	.HOLDER, NEUT LOCK	1	
32	67257-99E00	.CAP, LEVER	1	
33	67258-99E00	.BRACKET, LOCK ARM	1	
34	67259-87D00	.SPRING, NEUTRAL ARM	1	
35	67261-99E00	.GRIP	1	
36	67296-94310	.SCREW	1	
37	67264-95600	.WASHER	1	
38	67267-93J00	.COVER, WIRE	1	
39	67273-95600	.SPACER	1	
40	67275-95600	.END, CABLE	2	
41	67288-92E00	.WASHER, BRAKE ADJ KNOB	1	
42	67292-94300	E RING	3	
43	67294-95600	.SPACER	3	
44	67296-90J00	.SCREW	5	
45	67296-94300	.SCREW	2	
46	67296-95600	.SCREW	3	
47	67296-95610	.SCREW	2	
48	67297-95600	.WASHER	2	
49	68165-16B00-13L	.EMBLEM (SILVER)	1	
50	09100-08232	.BOLT (8X30)	1	
51	09126-05003	.SCREW (5X12)	2	
52	09140-06020	.NUT	3	
53	09160-06104	.WASHER (6.5X24X2)	3	
54	37859-90J00	.SPACER	1	

FIG.172

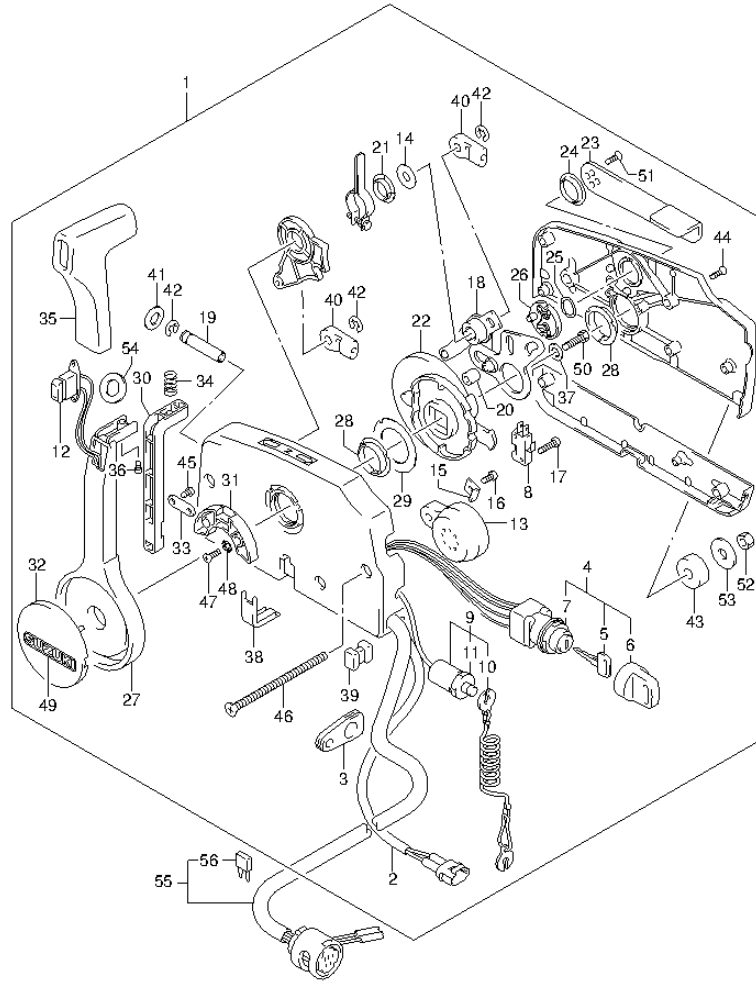


FIG.172 (2-F-15) OPT:REMOTE CONTROL (DF90A E01)

REF NO.	PART NO.	DESCRIPTION	Q'TY	REMARKS
55-1	36620-93J02	WIRE ASSY, REMOTE CONTROL	1	L:5000
55-2	36620-93J52	WIRE ASSY, REMOTE CONTROL	1	L:3500
55-3	36620-93J62	WIRE ASSY, REMOTE CONTROL	1	L:6500
56	09481-10501	.FUSE (10A)	1	

FIG.173

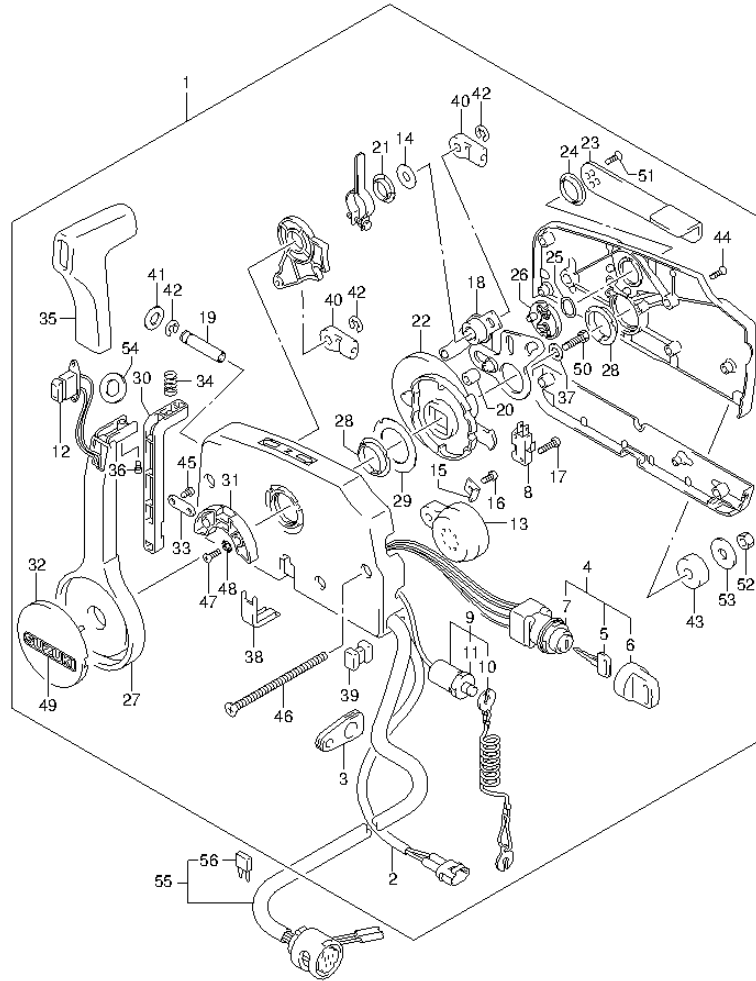


FIG.173 (2-G-2) OPT:REMOTE CONTROL (DF90A E40)

REF NO.	PART NO.	DESCRIPTION	Q'TY	REMARKS
1	67200-93J06	REMOTE CONTROL ASSY	1	
2	36646-93J01	..WIRE ASSY, PTT SW ADAPTER	1	
3	36628-92E00	..GROMMET, WIRE HARNESS	1	
4	37110-93J11	..SWITCH ASSY, IGNITION	1	
5-1	37141-99E00	..KEY (931)	2	
5-2	37141-99E10	..KEY (932)	2	
5-3	37141-99E20	..KEY (933)	2	
5-4	37141-99E30	..KEY (934)	2	
5-5	37141-99E40	..KEY (935)	2	
5-6	37141-99E50	..KEY (936)	2	
5-7	37141-99E60	..KEY (937)	2	
5-8	37141-99E70	..KEY (938)	2	
5-9	37141-99E80	..KEY (939)	2	
5-10	37141-99E90	..KEY (940)	2	
5-11	37141-99EA0	..KEY (941)	2	
5-12	37141-99EB0	..KEY (942)	2	
6	37143-99E00	..CAP, KEY	2	
7	37149-93J00	..CAP CYLINDER BODY	1	
8	37721-93J91	..SWITCH, NEUTRAL	1	
9	37820-93J03	..SWITCH ASSY, EMERGENCY	1	
10	37823-92E01	..PLATE	1	
11	37826-92E00	..NUT	1	
12	37850-90J05	..SWITCH ASSY, PTT	1	
13	38500-93J90	..BUZZER	1	
14	67212-95600	..WASHER	1	
15	67213-92E00	..BRACKET, BUZZER	1	
16	09125-05042	..SCREW (5X10)	1	
17	67296-92E11	..SCREW, NEUTRAL SW	2	
18	67220-95630	..PLATE ASSY	1	
19	67223-99E10	..KNOB, BRAKE ADJ	1	
20	67229-95600	..ROLLER	1	
21	67232-95600	..BUSH	1	
22	67238-87D00	..GEAR, DRIVE	1	
23	67241-99E10	..LEVER, FREE THROTTLE	1	

FIG.173

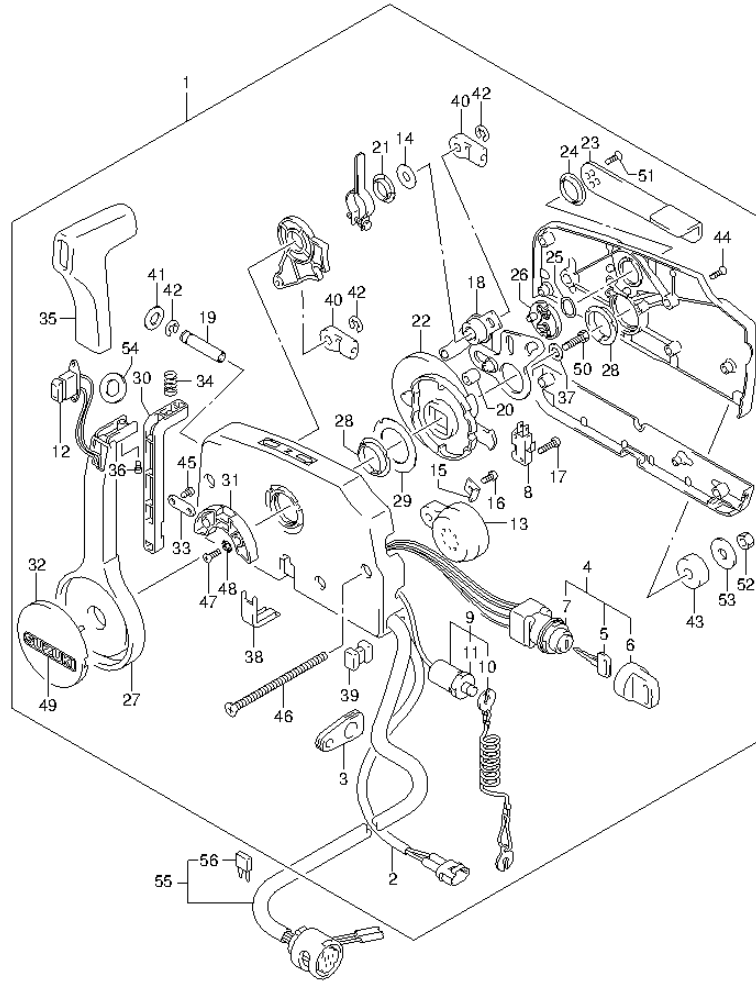


FIG.173 (2-G-3) OPT:REMOTE CONTROL (DF90A E40)

REF NO.	PART NO.	DESCRIPTION	Q'TY	REMARKS
24	67243-95600	.BUSH	1	
25	67244-95600	.WASHER, WAVE	1	
26	67245-95600	.DRUM, FREE THROTTLE	1	
27	67251-99E10	.LEVER, HANDLE	1	
28	67252-95600	.BUSH	2	
29	67253-95600	.WASHER	1	
30	67255-99E00	.ARM, LOCK	1	
31	67256-95600	.HOLDER, NEUT LOCK	1	
32	67257-99E00	.CAP, LEVER	1	
33	67258-99E00	.BRACKET, LOCK ARM	1	
34	67259-87D00	.SPRING, NEUTRAL ARM	1	
35	67261-99E00	.GRIP	1	
36	67296-94310	.SCREW	1	
37	67264-95600	.WASHER	1	
38	67267-93J00	.COVER, WIRE	1	
39	67273-95600	.SPACER	1	
40	67275-95600	.END, CABLE	2	
41	67288-92E00	.WASHER, BRAKE ADJ KNOB	1	
42	67292-94300	E RING	3	
43	67294-95600	.SPACER	3	
44	67296-90J00	.SCREW	5	
45	67296-94300	.SCREW	2	
46	67296-95600	.SCREW	3	
47	67296-95610	.SCREW	2	
48	67297-95600	.WASHER	2	
49	68165-16B00-13L	.EMBLEM (SILVER)	1	
50	09100-08232	.BOLT (8X30)	1	
51	09126-05003	.SCREW (5X12)	2	
52	09140-06020	.NUT	3	
53	09160-06104	.WASHER (6.5X24X2)	3	
54	37859-90J00	.SPACER	1	

FIG.173

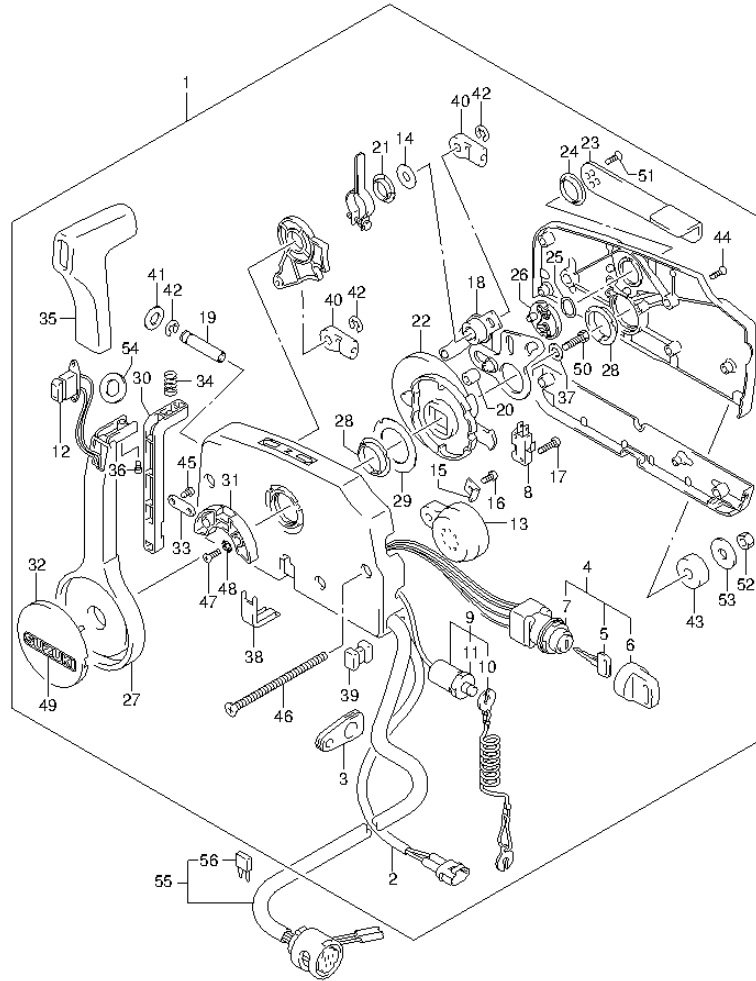
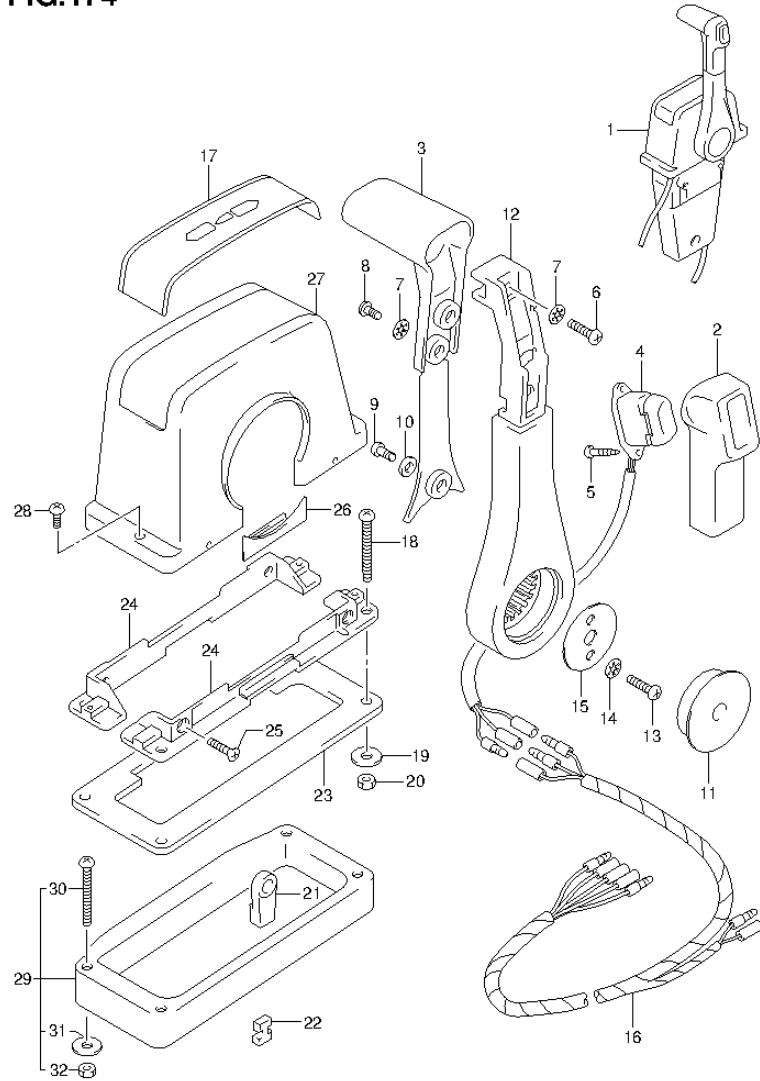


FIG.173 (2-G-4) OPT:REMOTE CONTROL (DF90A E40)

REF NO.	PART NO.	DESCRIPTION	Q'TY	REMARKS
55-1	36620-93J02	WIRE ASSY, REMOTE CONTROL	1	L:5000
55-2	36620-93J52	WIRE ASSY, REMOTE CONTROL	1	L:3500
55-3	36620-93J62	WIRE ASSY, REMOTE CONTROL	1	L:6500
56	09481-10501	.FUSE (10A)	1	

FIG.174



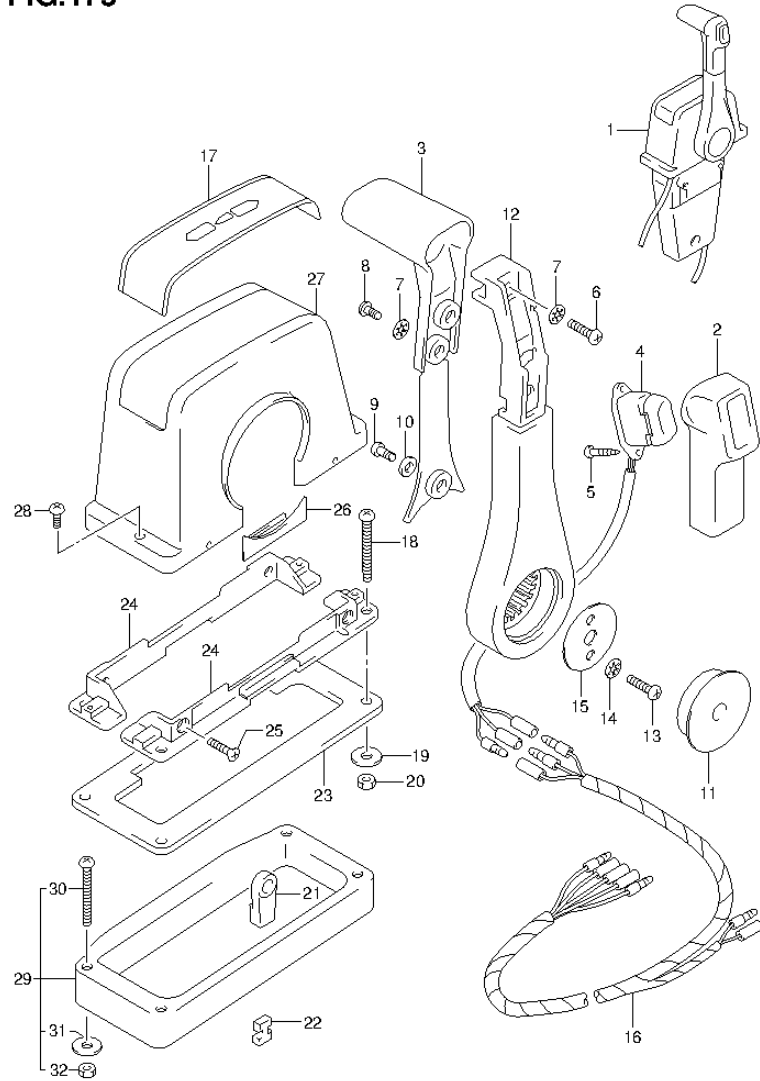
DF90A_E01_014_174
OPT:REMOTE CONTROL ASSY SINGLE (1)

FIG.174 (2-G-5) OPT:REMOTE CONTROL ASSY SINGLE (1) (DF70A E01)

REF NO.	PART NO.	DESCRIPTION	Q'TY	REMARKS
1	67200-93J13	REMOTE CONTROL ASSY	1	
2	67261-93J00	.GRIP, NO.1	1	
3	67263-93J00	.GRIP, NO.2	1	
4	37850-93J10	.SWITCH ASSY, PTT	1	
5	67295-92E10	.SCREW	2	
6	67296-88D10	.SCREW	1	
7	67288-92E20	.WASHER	3	
8	67295-92E00	.SCREW	2	
9	67296-92E70	.SCREW	1	
10	67288-92E40	.WASHER	1	
11	67257-92E00	.CAP, LEVER	1	
12	67251-93J00	.LEVER, HANDLE	1	
13	67296-92E60	.SCREW	2	
14	67288-92E30	.WASHER	2	
15	67253-92E00	.WASHER	1	
16	36890-93J00	.WIRE HARNESS	1	
17	67281-93J00	.DECAL	1	
18	67296-92E30	.SCREW	4	
19	09160-05024	.WASHER (5.5X16X1.5)	4	
20	67287-92E00	.NUT	4	
21	67275-95600	.END, CABLE	2	
22	67273-95600	.SPACER	1	
23	67273-92E00	.GROMMET	1	
24	67274-92E00	.FLANGE	2	
25	67296-95610	.SCREW	4	
26	67271-92E00	.COVER	1	
27	67211-93J00	.COVER	1	
28	67296-92E70	.SCREW	2	
29	67500-93J00	KIT, REMOCON SPACER SINGLE	1	
30	09125-05135	.SCREW (5X65)	4	
31	09160-05029	.WASHER (5.5X12X0.8)	4	
32	09140-05005	.NUT	4	

DF90A_E01_014

FIG.175



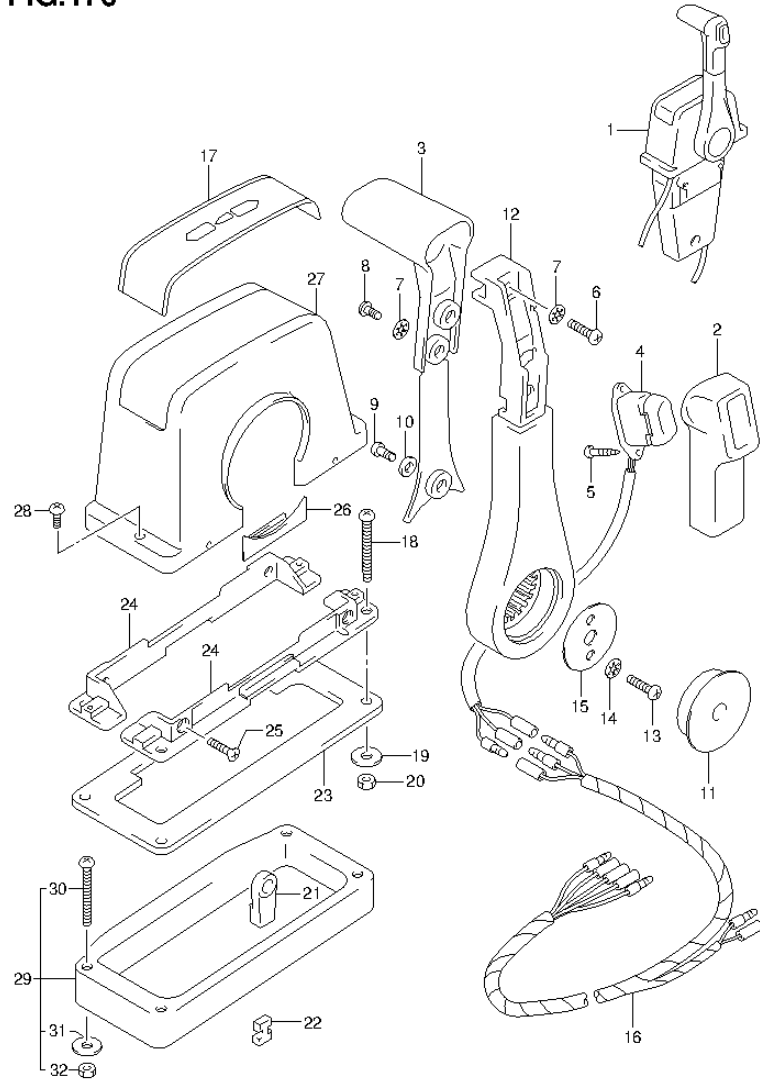
DF90A_E01_014_175
OPT:REMOTE CONTROL ASSY SINGLE (1)

FIG.175 (2-G-6) OPT:REMOTE CONTROL ASSY SINGLE (1) (DF70A E40)

REF NO.	PART NO.	DESCRIPTION	Q'TY	REMARKS
1	67200-93J13	REMOTE CONTROL ASSY	1	
2	67261-93J00	.GRIP, NO.1	1	
3	67263-93J00	.GRIP, NO.2	1	
4	37850-93J10	.SWITCH ASSY, PTT	1	
5	67295-92E10	.SCREW	2	
6	67296-88D10	.SCREW	1	
7	67288-92E20	.WASHER	3	
8	67295-92E00	.SCREW	2	
9	67296-92E70	.SCREW	1	
10	67288-92E40	.WASHER	1	
11	67257-92E00	.CAP, LEVER	1	
12	67251-93J00	.LEVER, HANDLE	1	
13	67296-92E60	.SCREW	2	
14	67288-92E30	.WASHER	2	
15	67253-92E00	.WASHER	1	
16	36890-93J00	.WIRE HARNESS	1	
17	67281-93J00	.DECAL	1	
18	67296-92E30	.SCREW	4	
19	09160-05024	.WASHER (5.5X16X1.5)	4	
20	67287-92E00	.NUT	4	
21	67275-95600	.END, CABLE	2	
22	67273-95600	.SPACER	1	
23	67273-92E00	.GROMMET	1	
24	67274-92E00	.FLANGE	2	
25	67296-95610	.SCREW	4	
26	67271-92E00	.COVER	1	
27	67211-93J00	.COVER	1	
28	67296-92E70	.SCREW	2	
29	67500-93J00	KIT, REMOCON SPACER SINGLE	1	
30	09125-05135	.SCREW (5X65)	4	
31	09160-05029	.WASHER (5.5X12X0.8)	4	
32	09140-05005	.NUT	4	

DF90A_E01_014

FIG.176



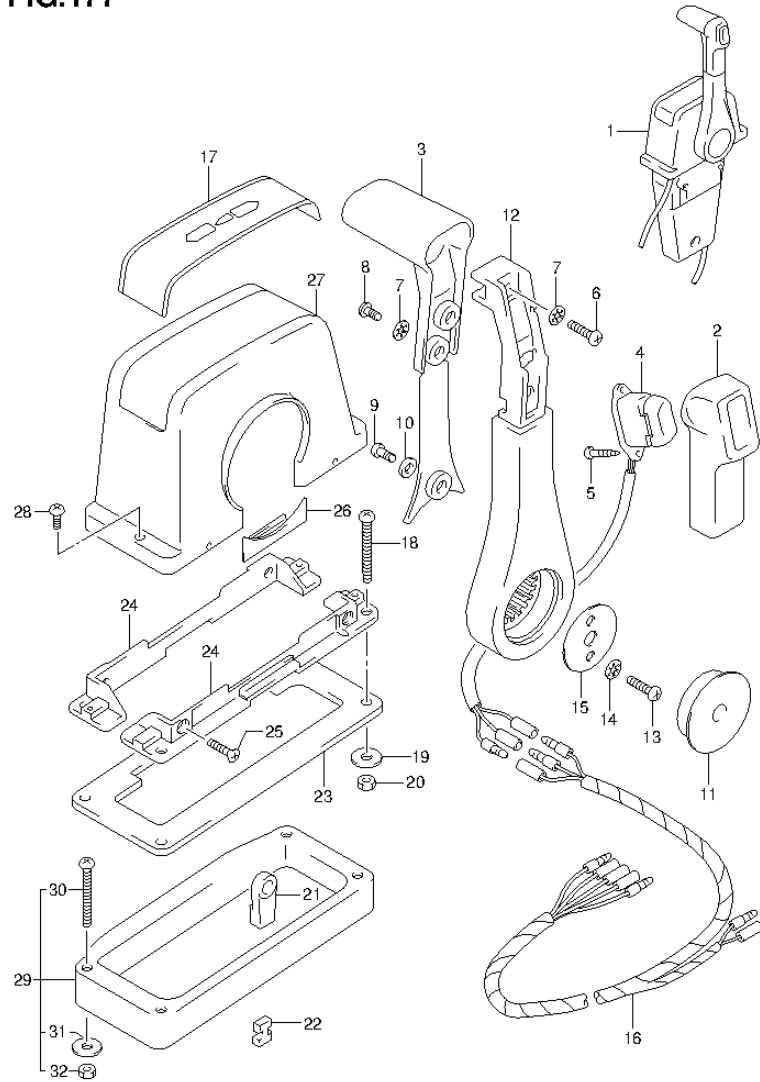
DF90A_E01_014_176
OPT:REMOTE CONTROL ASSY SINGLE (1)

FIG.176 (2-G-7) OPT:REMOTE CONTROL ASSY SINGLE (1) (DF80A E01)

REF NO.	PART NO.	DESCRIPTION	Q'TY	REMARKS
1	67200-93J13	REMOTE CONTROL ASSY	1	
2	67261-93J00	.GRIP, NO.1	1	
3	67263-93J00	.GRIP, NO.2	1	
4	37850-93J10	.SWITCH ASSY, PTT	1	
5	67295-92E10	.SCREW	2	
6	67296-88D10	.SCREW	1	
7	67288-92E20	.WASHER	3	
8	67295-92E00	.SCREW	2	
9	67296-92E70	.SCREW	1	
10	67288-92E40	.WASHER	1	
11	67257-92E00	.CAP, LEVER	1	
12	67251-93J00	.LEVER, HANDLE	1	
13	67296-92E60	.SCREW	2	
14	67288-92E30	.WASHER	2	
15	67253-92E00	.WASHER	1	
16	36890-93J00	.WIRE HARNESS	1	
17	67281-93J00	.DECAL	1	
18	67296-92E30	.SCREW	4	
19	09160-05024	.WASHER (5.5X16X1.5)	4	
20	67287-92E00	.NUT	4	
21	67275-95600	.END, CABLE	2	
22	67273-95600	.SPACER	1	
23	67273-92E00	.GROMMET	1	
24	67274-92E00	.FLANGE	2	
25	67296-95610	.SCREW	4	
26	67271-92E00	.COVER	1	
27	67211-93J00	.COVER	1	
28	67296-92E70	.SCREW	2	
29	67500-93J00	KIT, REMOCON SPACER SINGLE	1	
30	09125-05135	.SCREW (5X65)	4	
31	09160-05029	.WASHER (5.5X12X0.8)	4	
32	09140-05005	.NUT	4	

DF90A_E01_014

FIG.177



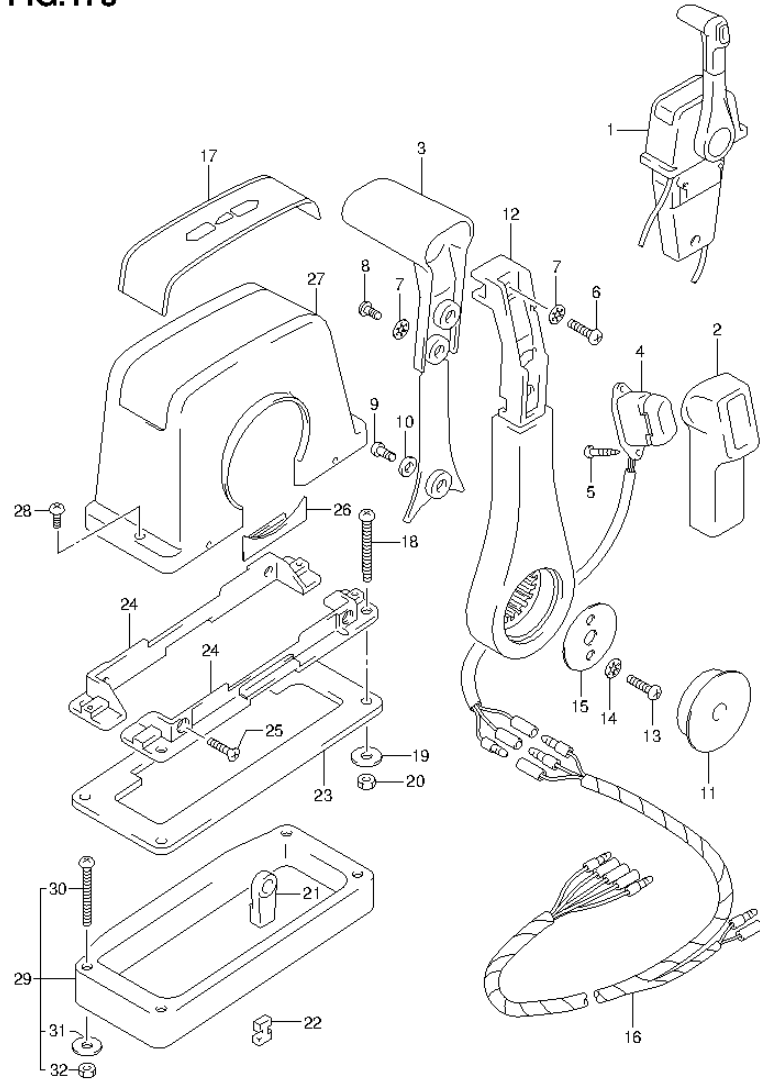
DF90A_E01_014_177
OPT:REMOTE CONTROL ASSY SINGLE (1)

FIG.177 (2-G-8) OPT:REMOTE CONTROL ASSY SINGLE (1) (DF80A E40)

REF NO.	PART NO.	DESCRIPTION	Q'TY	REMARKS
1	67200-93J13	REMOTE CONTROL ASSY	1	
2	67261-93J00	.GRIP, NO.1	1	
3	67263-93J00	.GRIP, NO.2	1	
4	37850-93J10	.SWITCH ASSY, PTT	1	
5	67295-92E10	.SCREW	2	
6	67296-88D10	.SCREW	1	
7	67288-92E20	.WASHER	3	
8	67295-92E00	.SCREW	2	
9	67296-92E70	.SCREW	1	
10	67288-92E40	.WASHER	1	
11	67257-92E00	.CAP, LEVER	1	
12	67251-93J00	.LEVER, HANDLE	1	
13	67296-92E60	.SCREW	2	
14	67288-92E30	.WASHER	2	
15	67253-92E00	.WASHER	1	
16	36890-93J00	.WIRE HARNESS	1	
17	67281-93J00	.DECAL	1	
18	67296-92E30	.SCREW	4	
19	09160-05024	.WASHER (5.5X16X1.5)	4	
20	67287-92E00	.NUT	4	
21	67275-95600	.END, CABLE	2	
22	67273-95600	.SPACER	1	
23	67273-92E00	.GROMMET	1	
24	67274-92E00	.FLANGE	2	
25	67296-95610	.SCREW	4	
26	67271-92E00	.COVER	1	
27	67211-93J00	.COVER	1	
28	67296-92E70	.SCREW	2	
29	67500-93J00	KIT, REMOCON SPACER SINGLE	1	
30	09125-05135	.SCREW (5X65)	4	
31	09160-05029	.WASHER (5.5X12X0.8)	4	
32	09140-05005	.NUT	4	

DF90A_E01_014

FIG.178



DF90A_E01_014_178
OPT:REMOTE CONTROL ASSY SINGLE (1)

FIG.178 (2-G-9) OPT:REMOTE CONTROL ASSY SINGLE (1) (DF90A E01)

REF NO.	PART NO.	DESCRIPTION	Q'TY	REMARKS
1	67200-93J13	REMOTE CONTROL ASSY	1	
2	67261-93J00	.GRIP, NO.1	1	
3	67263-93J00	.GRIP, NO.2	1	
4	37850-93J10	.SWITCH ASSY, PTT	1	
5	67295-92E10	.SCREW	2	
6	67296-88D10	.SCREW	1	
7	67288-92E20	.WASHER	3	
8	67295-92E00	.SCREW	2	
9	67296-92E70	.SCREW	1	
10	67288-92E40	.WASHER	1	
11	67257-92E00	.CAP, LEVER	1	
12	67251-93J00	.LEVER, HANDLE	1	
13	67296-92E60	.SCREW	2	
14	67288-92E30	.WASHER	2	
15	67253-92E00	.WASHER	1	
16	36890-93J00	.WIRE HARNESS	1	
17	67281-93J00	.DECAL	1	
18	67296-92E30	.SCREW	4	
19	09160-05024	.WASHER (5.5X16X1.5)	4	
20	67287-92E00	.NUT	4	
21	67275-95600	.END, CABLE	2	
22	67273-95600	.SPACER	1	
23	67273-92E00	.GROMMET	1	
24	67274-92E00	.FLANGE	2	
25	67296-95610	.SCREW	4	
26	67271-92E00	.COVER	1	
27	67211-93J00	.COVER	1	
28	67296-92E70	.SCREW	2	
29	67500-93J00	KIT, REMOCON SPACER SINGLE	1	
30	09125-05135	.SCREW (5X65)	4	
31	09160-05029	.WASHER (5.5X12X0.8)	4	
32	09140-05005	.NUT	4	

DF90A_E01_014

FIG.179

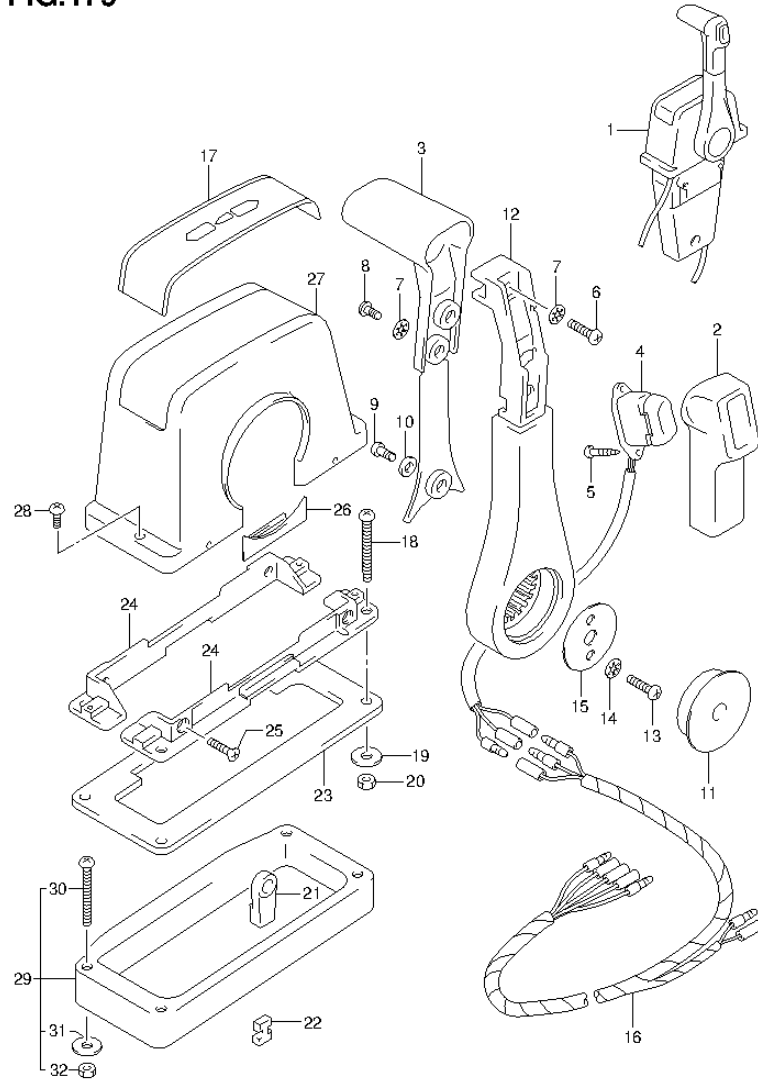


FIG.179 (2-G-10) OPT:REMOTE CONTROL ASSY SINGLE (1) (DF90A E40)

REF NO.	PART NO.	DESCRIPTION	Q'TY	REMARKS
1	67200-93J13	REMOTE CONTROL ASSY	1	
2	67261-93J00	.GRIP, NO.1	1	
3	67263-93J00	.GRIP, NO.2	1	
4	37850-93J10	.SWITCH ASSY, PTT	1	
5	67295-92E10	.SCREW	2	
6	67296-88D10	.SCREW	1	
7	67288-92E20	.WASHER	3	
8	67295-92E00	.SCREW	2	
9	67296-92E70	.SCREW	1	
10	67288-92E40	.WASHER	1	
11	67257-92E00	.CAP, LEVER	1	
12	67251-93J00	.LEVER, HANDLE	1	
13	67296-92E60	.SCREW	2	
14	67288-92E30	.WASHER	2	
15	67253-92E00	.WASHER	1	
16	36890-93J00	.WIRE HARNESS	1	
17	67281-93J00	.DECAL	1	
18	67296-92E30	.SCREW	4	
19	09160-05024	.WASHER (5.5X16X1.5)	4	
20	67287-92E00	.NUT	4	
21	67275-95600	.END, CABLE	2	
22	67273-95600	.SPACER	1	
23	67273-92E00	.GROMMET	1	
24	67274-92E00	.FLANGE	2	
25	67296-95610	.SCREW	4	
26	67271-92E00	.COVER	1	
27	67211-93J00	.COVER	1	
28	67296-92E70	.SCREW	2	
29	67500-93J00	KIT, REMOCON SPACER SINGLE	1	
30	09125-05135	.SCREW (5X65)	4	
31	09160-05029	.WASHER (5.5X12X0.8)	4	
32	09140-05005	.NUT	4	

FIG.180

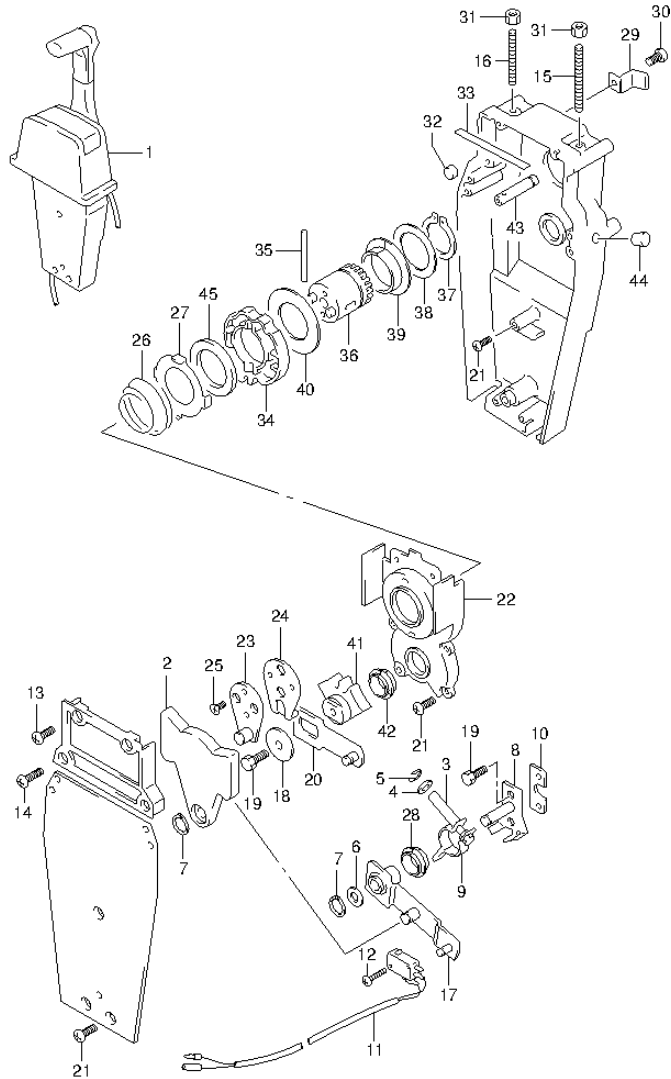


FIG.180 (2-G-11) OPT:REMOTE CONTROL ASSY SINGLE (2) (DF70A E01)

REF NO.	PART NO.	DESCRIPTION	Q'TY	REMARKS
1	67200-93J13	REMOTE CONTROL ASSY	1	
2	67222-92E00	.DUAL PLATE	1	
3	67223-92E00	.BRAKE ADJUST	1	
4	67288-92E00	.WASHER	1	
5	67292-94300	.E RING	4	
6	67288-92E10	.WASHER	1	
7	67291-92E00	.SNAP RING	2	
8	67221-92E00	.SHIFT ASSY	1	
9	67224-92E00	.BRAKE ARM ASSY	1	
10	67294-92E00	.SPACER	1	
11	37721-95500	.SWITCH ASSY, NEUTRAL	1	
12	67296-92E11	.SCREW (3X15)	2	
13	67296-88D10	.SCREW (5X16)	2	
14	67296-92E20	.SCREW (5X25)	2	
15	67226-92E00	.BOLT, STOPPER FRONT	1	
16	67226-92E10	.BOLT, STOPPER REAR	1	
17	67240-92E00	.ARM ASSY, THROTTLE	1	
18	67228-92E00	.WASHER	1	
19	67286-92E00	.BOLT (6X18)	3	
20	67230-92E00	.ARM ASSY, SHIFT	1	
21	09125-05042	.SCREW (5X10)	9	
22	67234-92E00	.CASE, GEAR	1	
23	67245-92E00	.LEVER ASSY, THROTTLE	1	
24	67227-92E00	.STOPPER	1	
25	09126-06006	.SCREW (6X20)	2	
26	67233-92E00	.SPRING	1	
27	67235-92E00	.PLATE, SHIFT LOCK	1	
28	67232-95620	.BUSH	1	
29	67269-92E00	.BRACKET	1	
30	67296-88D10	.SCREW	1	
31	09140-06020	.NUT	2	
32	67236-92E00	.ROLLER	1	
33	67237-92E01	.SPRING	6	
34	67238-92E00	.GEAR, DRIVE	1	

FIG.180

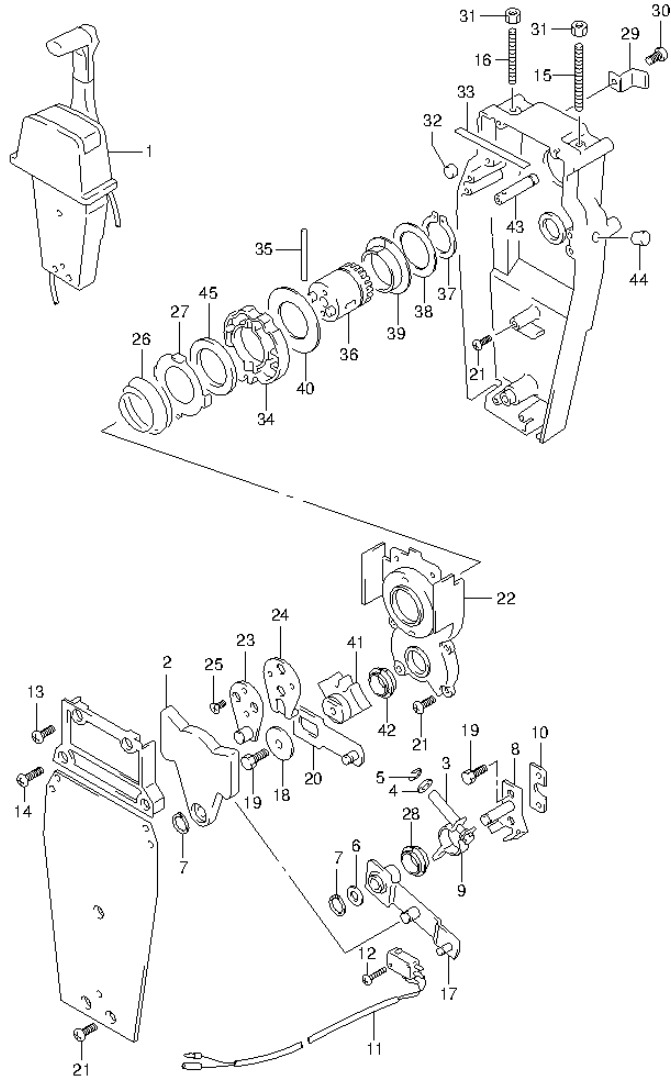


FIG.180 (2-G-12) OPT:REMOTE CONTROL ASSY SINGLE (2) (DF70A E01)

REF NO.	PART NO.	DESCRIPTION	Q'TY	REMARKS
35	67239-92E00	.PIN	1	
36	67246-92E00	.SHIFT, DRIVE	1	
37	67291-92E10	.SNAP RING	1	
38	67253-92E10	.WASHER	1	
39	67252-92E10	.BUSH	1	
40	67253-95600	.WASHER	1	
41	67231-92E00	.GEAR, SHIFT	1	
42	67232-95600	.BUSH	1	
43	67241-92E10	.ROD, FREE ACC	1	
44	67243-92E00	.CAP, HOLE	1	
45	67239-92E10	.PLATE, SHIFT PIN	1	

FIG.181

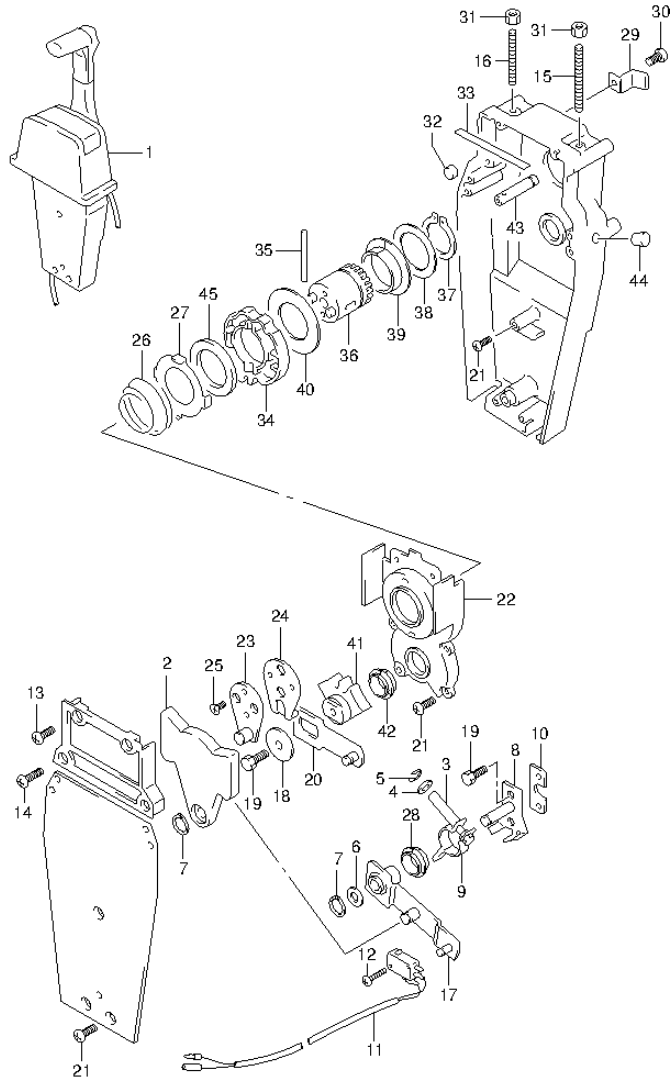


FIG.181 (2-G-13) OPT:REMOTE CONTROL ASSY SINGLE (2) (DF70A E40)

REF NO.	PART NO.	DESCRIPTION	Q'TY	REMARKS
1	67200-93J13	REMOTE CONTROL ASSY	1	
2	67222-92E00	.DUAL PLATE	1	
3	67223-92E00	.BRAKE ADJUST	1	
4	67288-92E00	.WASHER	1	
5	67292-94300	.E RING	4	
6	67288-92E10	.WASHER	1	
7	67291-92E00	.SNAP RING	2	
8	67221-92E00	.SHIFT ASSY	1	
9	67224-92E00	.BRAKE ARM ASSY	1	
10	67294-92E00	.SPACER	1	
11	37721-95500	.SWITCH ASSY, NEUTRAL	1	
12	67296-92E11	.SCREW (3X15)	2	
13	67296-88D10	.SCREW (5X16)	2	
14	67296-92E20	.SCREW (5X25)	2	
15	67226-92E00	.BOLT, STOPPER FRONT	1	
16	67226-92E10	.BOLT, STOPPER REAR	1	
17	67240-92E00	.ARM ASSY, THROTTLE	1	
18	67228-92E00	.WASHER	1	
19	67286-92E00	.BOLT (6X18)	3	
20	67230-92E00	.ARM ASSY, SHIFT	1	
21	09125-05042	.SCREW (5X10)	9	
22	67234-92E00	.CASE, GEAR	1	
23	67245-92E00	.LEVER ASSY, THROTTLE	1	
24	67227-92E00	.STOPPER	1	
25	09126-06006	.SCREW (6X20)	2	
26	67233-92E00	.SPRING	1	
27	67235-92E00	.PLATE, SHIFT LOCK	1	
28	67232-95620	.BUSH	1	
29	67269-92E00	.BRACKET	1	
30	67296-88D10	.SCREW	1	
31	09140-06020	.NUT	2	
32	67236-92E00	.ROLLER	1	
33	67237-92E01	.SPRING	6	
34	67238-92E00	.GEAR, DRIVE	1	

FIG.181

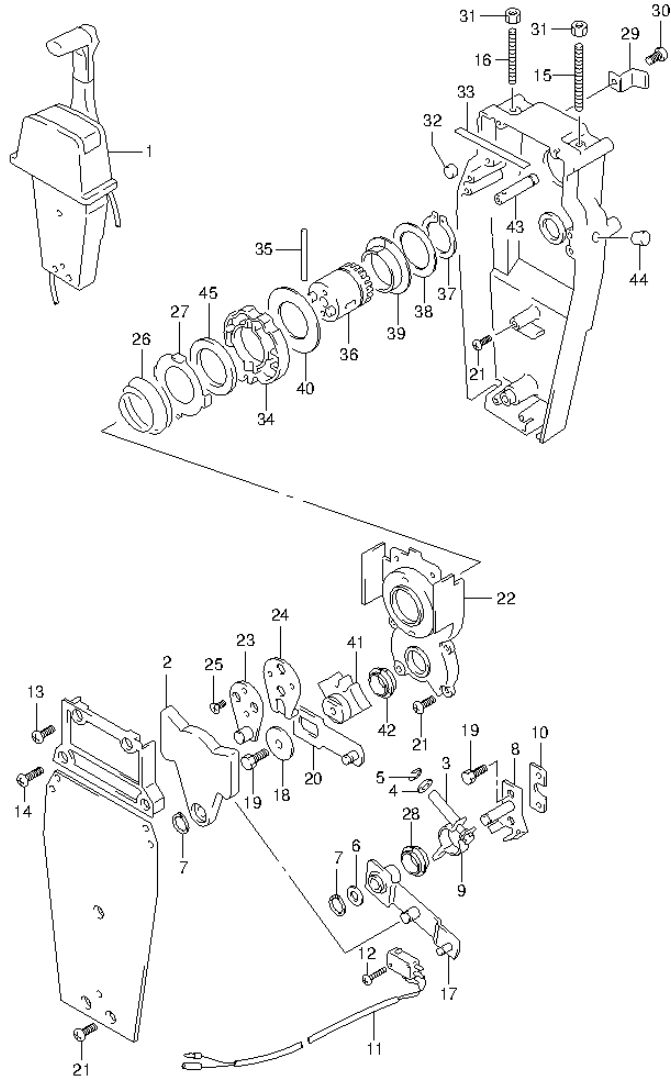


FIG.181 (2-G-14) OPT:REMOTE CONTROL ASSY SINGLE (2) (DF70A E40)

REF NO.	PART NO.	DESCRIPTION	Q'TY	REMARKS
35	67239-92E00	.PIN	1	
36	67246-92E00	.SHIFT, DRIVE	1	
37	67291-92E10	.SNAP RING	1	
38	67253-92E10	.WASHER	1	
39	67252-92E10	.BUSH	1	
40	67253-95600	.WASHER	1	
41	67231-92E00	.GEAR, SHIFT	1	
42	67232-95600	.BUSH	1	
43	67241-92E10	.ROD, FREE ACC	1	
44	67243-92E00	.CAP, HOLE	1	
45	67239-92E10	.PLATE, SHIFT PIN	1	

FIG.182

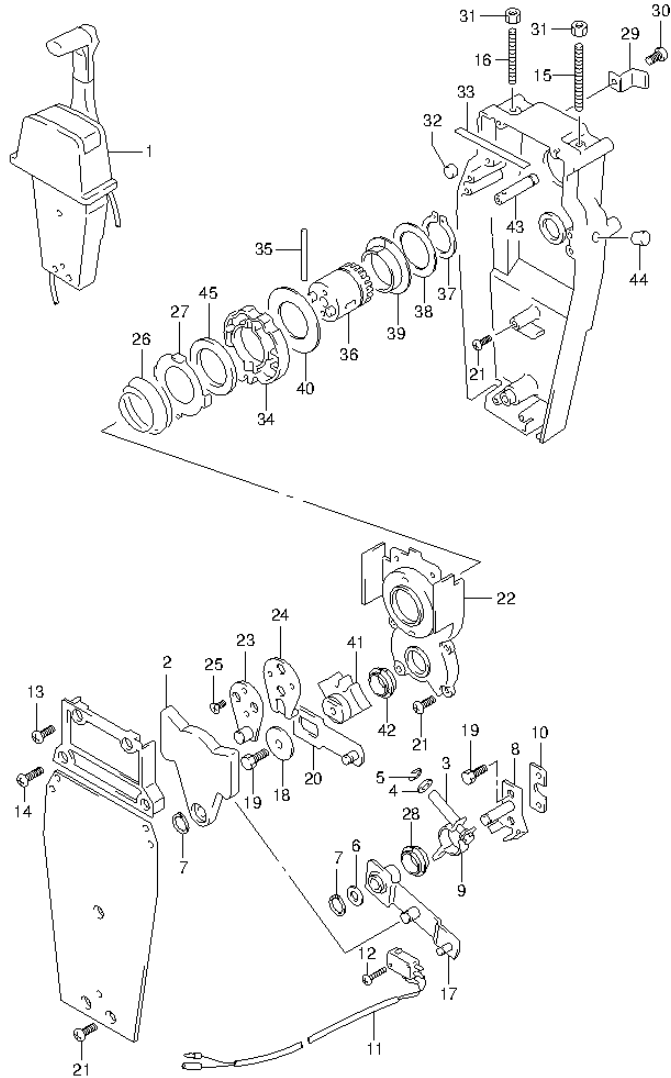


FIG.182 (2-G-15) OPT:REMOTE CONTROL ASSY SINGLE (2) (DF80A E01)

REF NO.	PART NO.	DESCRIPTION	Q'TY	REMARKS
1	67200-93J13	REMOTE CONTROL ASSY	1	
2	67222-92E00	.DUAL PLATE	1	
3	67223-92E00	.BRAKE ADJUST	1	
4	67288-92E00	.WASHER	1	
5	67292-94300	.E RING	4	
6	67288-92E10	.WASHER	1	
7	67291-92E00	.SNAP RING	2	
8	67221-92E00	.SHIFT ASSY	1	
9	67224-92E00	.BRAKE ARM ASSY	1	
10	67294-92E00	.SPACER	1	
11	37721-95500	.SWITCH ASSY, NEUTRAL	1	
12	67296-92E11	.SCREW (3X15)	2	
13	67296-88D10	.SCREW (5X16)	2	
14	67296-92E20	.SCREW (5X25)	2	
15	67226-92E00	.BOLT, STOPPER FRONT	1	
16	67226-92E10	.BOLT, STOPPER REAR	1	
17	67240-92E00	.ARM ASSY, THROTTLE	1	
18	67228-92E00	.WASHER	1	
19	67286-92E00	.BOLT (6X18)	3	
20	67230-92E00	.ARM ASSY, SHIFT	1	
21	09125-05042	.SCREW (5X10)	9	
22	67234-92E00	.CASE, GEAR	1	
23	67245-92E00	.LEVER ASSY, THROTTLE	1	
24	67227-92E00	.STOPPER	1	
25	09126-06006	.SCREW (6X20)	2	
26	67233-92E00	.SPRING	1	
27	67235-92E00	.PLATE, SHIFT LOCK	1	
28	67232-95620	.BUSH	1	
29	67269-92E00	.BRACKET	1	
30	67296-88D10	.SCREW	1	
31	09140-06020	.NUT	2	
32	67236-92E00	.ROLLER	1	
33	67237-92E01	.SPRING	6	
34	67238-92E00	.GEAR, DRIVE	1	

FIG.182

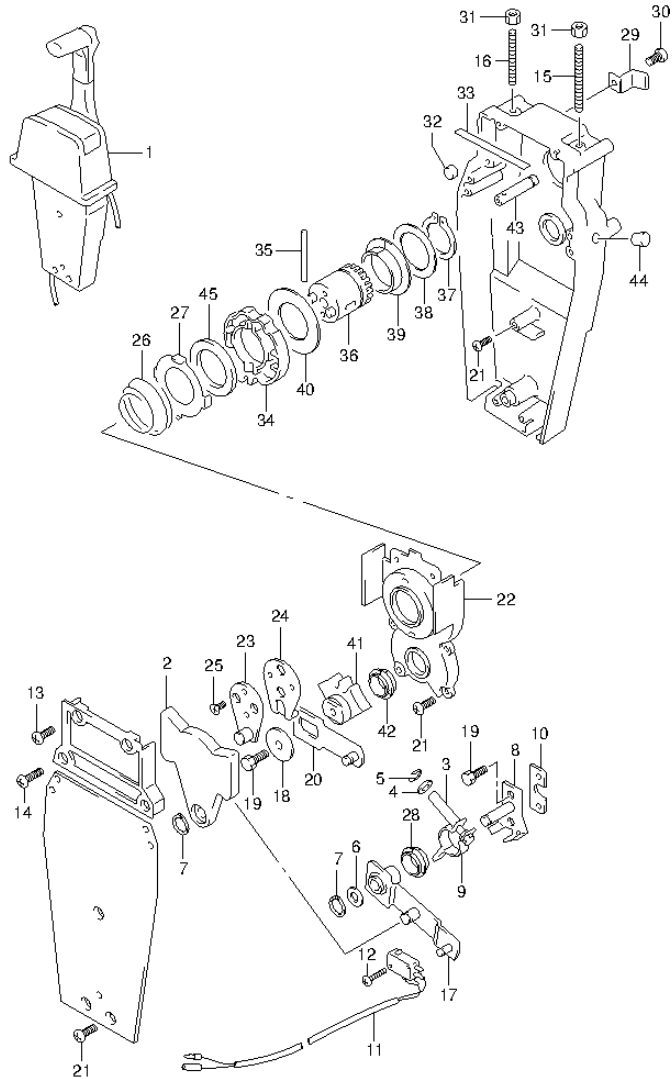


FIG.182 (2-H-2) OPT:REMOTE CONTROL ASSY SINGLE (2) (DF80A E01)

REF NO.	PART NO.	DESCRIPTION	Q'TY	REMARKS
35	67239-92E00	.PIN	1	
36	67246-92E00	.SHIFT, DRIVE	1	
37	67291-92E10	.SNAP RING	1	
38	67253-92E10	.WASHER	1	
39	67252-92E10	.BUSH	1	
40	67253-95600	.WASHER	1	
41	67231-92E00	.GEAR, SHIFT	1	
42	67232-95600	.BUSH	1	
43	67241-92E10	.ROD, FREE ACC	1	
44	67243-92E00	.CAP, HOLE	1	
45	67239-92E10	.PLATE, SHIFT PIN	1	

FIG.183

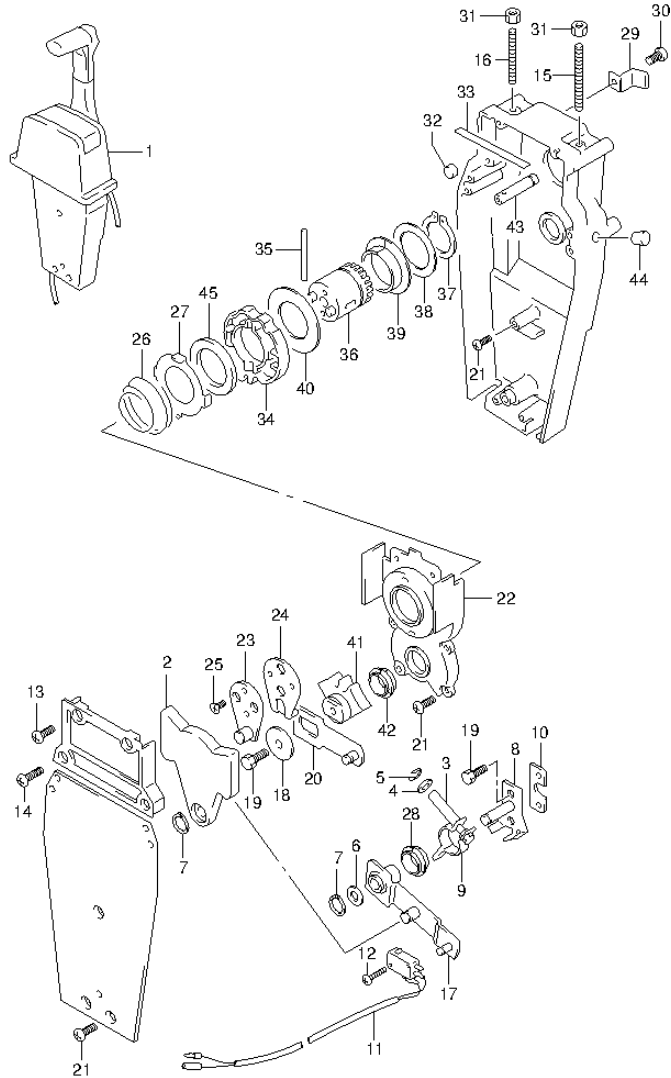


FIG.183 (2-H-3) OPT:REMOTE CONTROL ASSY SINGLE (2) (DF80A E40)

REF NO.	PART NO.	DESCRIPTION	Q'TY	REMARKS
1	67200-93J13	REMOTE CONTROL ASSY	1	
2	67222-92E00	.DUAL PLATE	1	
3	67223-92E00	.BRAKE ADJUST	1	
4	67288-92E00	.WASHER	1	
5	67292-94300	.E RING	4	
6	67288-92E10	.WASHER	1	
7	67291-92E00	.SNAP RING	2	
8	67221-92E00	.SHIFT ASSY	1	
9	67224-92E00	.BRAKE ARM ASSY	1	
10	67294-92E00	.SPACER	1	
11	37721-95500	.SWITCH ASSY, NEUTRAL	1	
12	67296-92E11	.SCREW (3X15)	2	
13	67296-88D10	.SCREW (5X16)	2	
14	67296-92E20	.SCREW (5X25)	2	
15	67226-92E00	.BOLT, STOPPER FRONT	1	
16	67226-92E10	.BOLT, STOPPER REAR	1	
17	67240-92E00	.ARM ASSY, THROTTLE	1	
18	67228-92E00	.WASHER	1	
19	67286-92E00	.BOLT (6X18)	3	
20	67230-92E00	.ARM ASSY, SHIFT	1	
21	09125-05042	.SCREW (5X10)	9	
22	67234-92E00	.CASE, GEAR	1	
23	67245-92E00	.LEVER ASSY, THROTTLE	1	
24	67227-92E00	.STOPPER	1	
25	09126-06006	.SCREW (6X20)	2	
26	67233-92E00	.SPRING	1	
27	67235-92E00	.PLATE, SHIFT LOCK	1	
28	67232-95620	.BUSH	1	
29	67269-92E00	.BRACKET	1	
30	67296-88D10	.SCREW	1	
31	09140-06020	.NUT	2	
32	67236-92E00	.ROLLER	1	
33	67237-92E01	.SPRING	6	
34	67238-92E00	.GEAR, DRIVE	1	

FIG.183

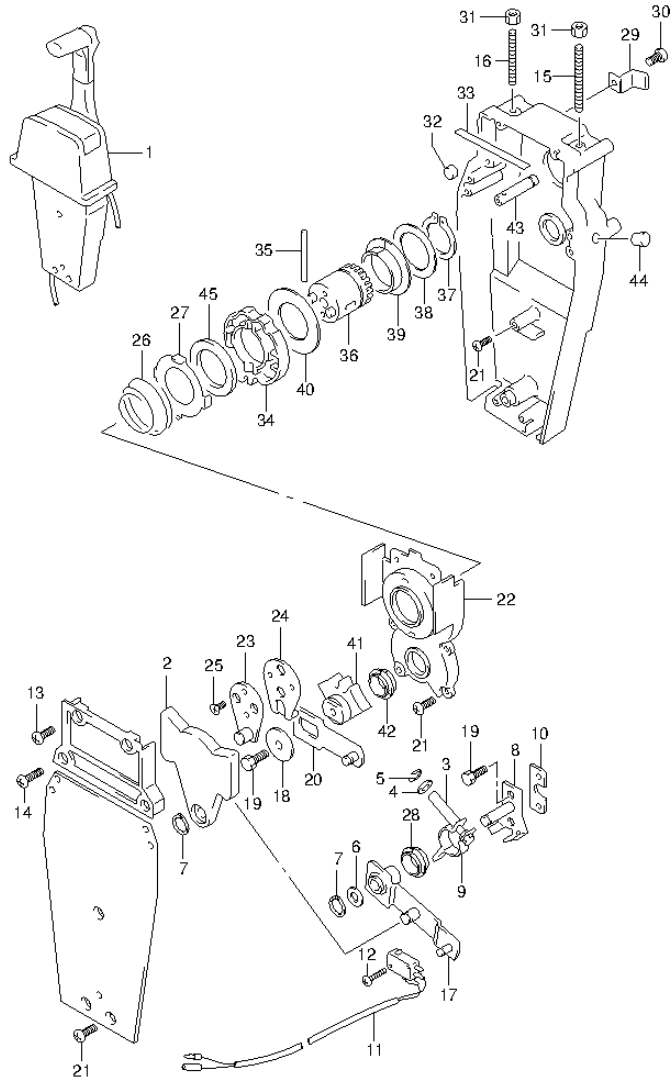


FIG.183 (2-H-4) OPT:REMOTE CONTROL ASSY SINGLE (2) (DF80A E40)

REF NO.	PART NO.	DESCRIPTION	Q'TY	REMARKS
35	67239-92E00	.PIN	1	
36	67246-92E00	.SHIFT, DRIVE	1	
37	67291-92E10	.SNAP RING	1	
38	67253-92E10	.WASHER	1	
39	67252-92E10	.BUSH	1	
40	67253-95600	.WASHER	1	
41	67231-92E00	.GEAR, SHIFT	1	
42	67232-95600	.BUSH	1	
43	67241-92E10	.ROD, FREE ACC	1	
44	67243-92E00	.CAP, HOLE	1	
45	67239-92E10	.PLATE, SHIFT PIN	1	

FIG.184

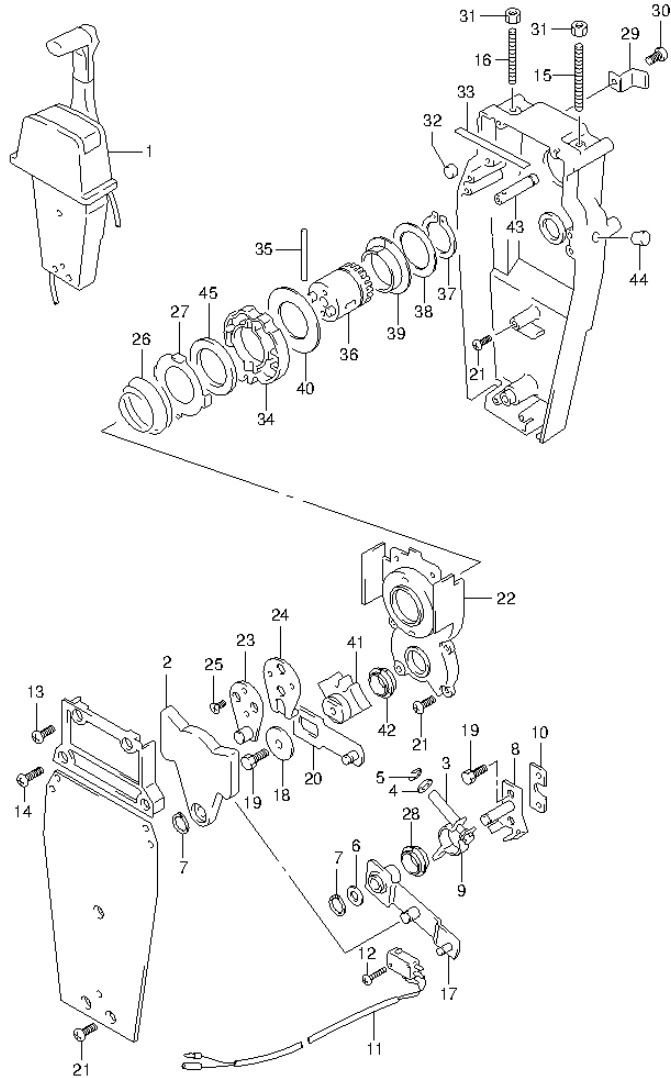


FIG.184 (2-H-5) OPT:REMOTE CONTROL ASSY SINGLE (2) (DF90A E01)

REF NO.	PART NO.	DESCRIPTION	Q'TY	REMARKS
1	67200-93J13	REMOTE CONTROL ASSY	1	
2	67222-92E00	.DUAL PLATE	1	
3	67223-92E00	.BRAKE ADJUST	1	
4	67288-92E00	.WASHER	1	
5	67292-94300	.E RING	4	
6	67288-92E10	.WASHER	1	
7	67291-92E00	.SNAP RING	2	
8	67221-92E00	.SHIFT ASSY	1	
9	67224-92E00	.BRAKE ARM ASSY	1	
10	67294-92E00	.SPACER	1	
11	37721-95500	.SWITCH ASSY, NEUTRAL	1	
12	67296-92E11	.SCREW (3X15)	2	
13	67296-88D10	.SCREW (5X16)	2	
14	67296-92E20	.SCREW (5X25)	2	
15	67226-92E00	.BOLT, STOPPER FRONT	1	
16	67226-92E10	.BOLT, STOPPER REAR	1	
17	67240-92E00	.ARM ASSY, THROTTLE	1	
18	67228-92E00	.WASHER	1	
19	67286-92E00	.BOLT (6X18)	3	
20	67230-92E00	.ARM ASSY, SHIFT	1	
21	09125-05042	.SCREW (5X10)	9	
22	67234-92E00	.CASE, GEAR	1	
23	67245-92E00	.LEVER ASSY, THROTTLE	1	
24	67227-92E00	.STOPPER	1	
25	09126-06006	.SCREW (6X20)	2	
26	67233-92E00	.SPRING	1	
27	67235-92E00	.PLATE, SHIFT LOCK	1	
28	67232-95620	.BUSH	1	
29	67269-92E00	.BRACKET	1	
30	67296-88D10	.SCREW	1	
31	09140-06020	.NUT	2	
32	67236-92E00	.ROLLER	1	
33	67237-92E01	.SPRING	6	
34	67238-92E00	.GEAR, DRIVE	1	

FIG.184

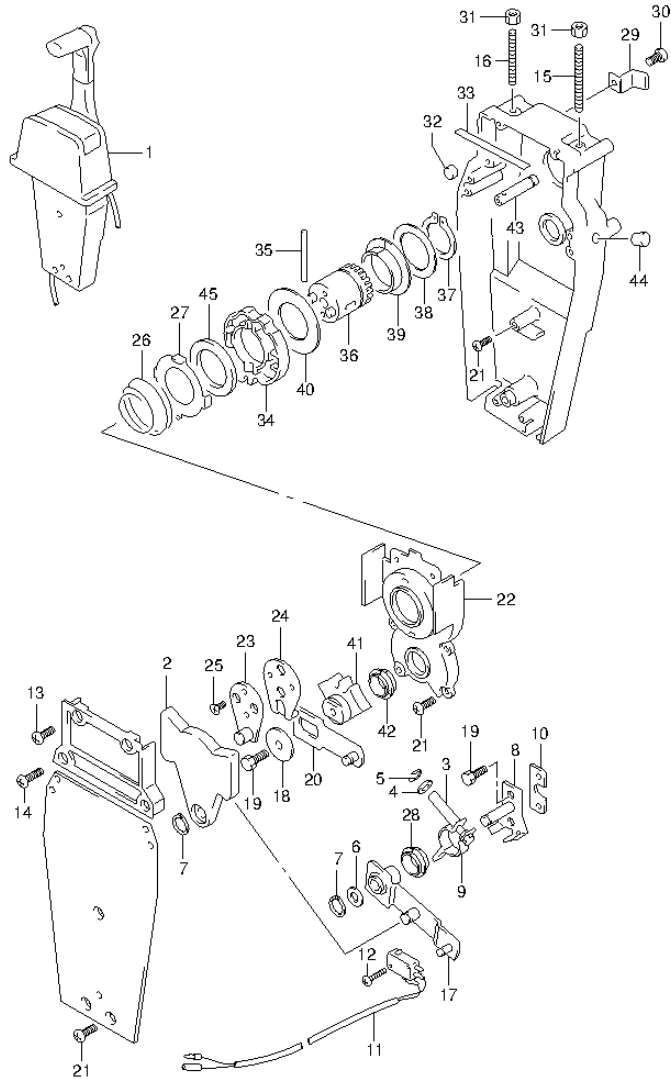


FIG.184 (2-H-6) OPT:REMOTE CONTROL ASSY SINGLE (2) (DF90A E01)

REF NO.	PART NO.	DESCRIPTION	Q'TY	REMARKS
35	67239-92E00	.PIN	1	
36	67246-92E00	.SHIFT, DRIVE	1	
37	67291-92E10	.SNAP RING	1	
38	67253-92E10	.WASHER	1	
39	67252-92E10	.BUSH	1	
40	67253-95600	.WASHER	1	
41	67231-92E00	.GEAR, SHIFT	1	
42	67232-95600	.BUSH	1	
43	67241-92E10	.ROD, FREE ACC	1	
44	67243-92E00	.CAP, HOLE	1	
45	67239-92E10	.PLATE, SHIFT PIN	1	

FIG.185

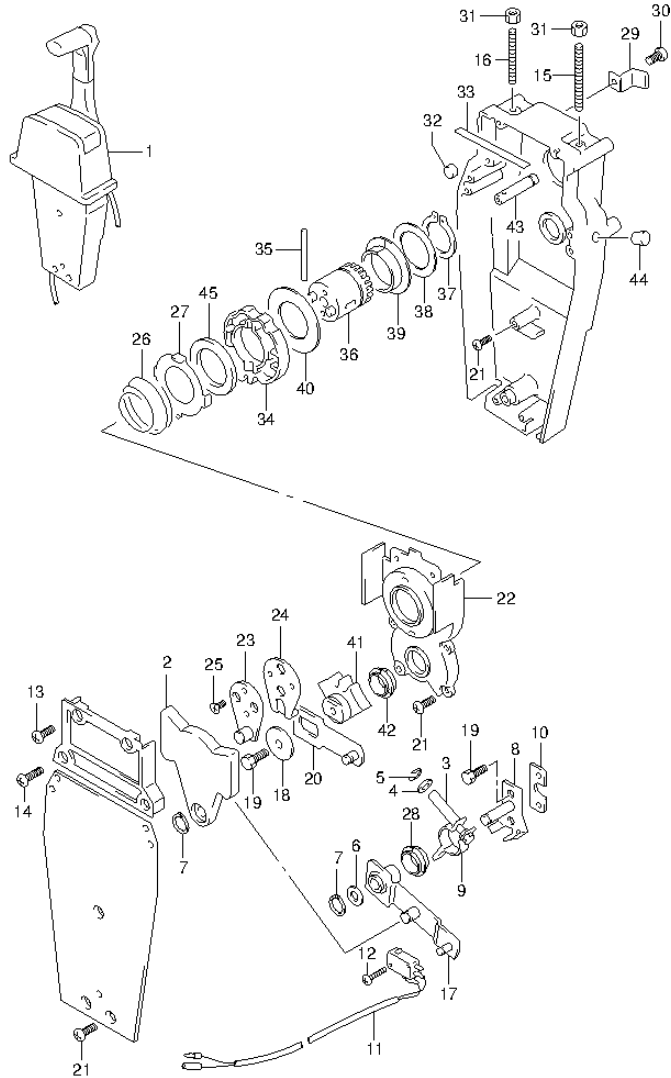


FIG.185 (2-H-7) OPT:REMOTE CONTROL ASSY SINGLE (2) (DF90A E40)

REF NO.	PART NO.	DESCRIPTION	Q'TY	REMARKS
1	67200-93J13	REMOTE CONTROL ASSY	1	
2	67222-92E00	.DUAL PLATE	1	
3	67223-92E00	.BRAKE ADJUST	1	
4	67288-92E00	.WASHER	1	
5	67292-94300	.E RING	4	
6	67288-92E10	.WASHER	1	
7	67291-92E00	.SNAP RING	2	
8	67221-92E00	.SHIFT ASSY	1	
9	67224-92E00	.BRAKE ARM ASSY	1	
10	67294-92E00	.SPACER	1	
11	37721-95500	.SWITCH ASSY, NEUTRAL	1	
12	67296-92E11	.SCREW (3X15)	2	
13	67296-88D10	.SCREW (5X16)	2	
14	67296-92E20	.SCREW (5X25)	2	
15	67226-92E00	.BOLT, STOPPER FRONT	1	
16	67226-92E10	.BOLT, STOPPER REAR	1	
17	67240-92E00	.ARM ASSY, THROTTLE	1	
18	67228-92E00	.WASHER	1	
19	67286-92E00	.BOLT (6X18)	3	
20	67230-92E00	.ARM ASSY, SHIFT	1	
21	09125-05042	.SCREW (5X10)	9	
22	67234-92E00	.CASE, GEAR	1	
23	67245-92E00	.LEVER ASSY, THROTTLE	1	
24	67227-92E00	.STOPPER	1	
25	09126-06006	.SCREW (6X20)	2	
26	67233-92E00	.SPRING	1	
27	67235-92E00	.PLATE, SHIFT LOCK	1	
28	67232-95620	.BUSH	1	
29	67269-92E00	.BRACKET	1	
30	67296-88D10	.SCREW	1	
31	09140-06020	.NUT	2	
32	67236-92E00	.ROLLER	1	
33	67237-92E01	.SPRING	6	
34	67238-92E00	.GEAR, DRIVE	1	

FIG.185

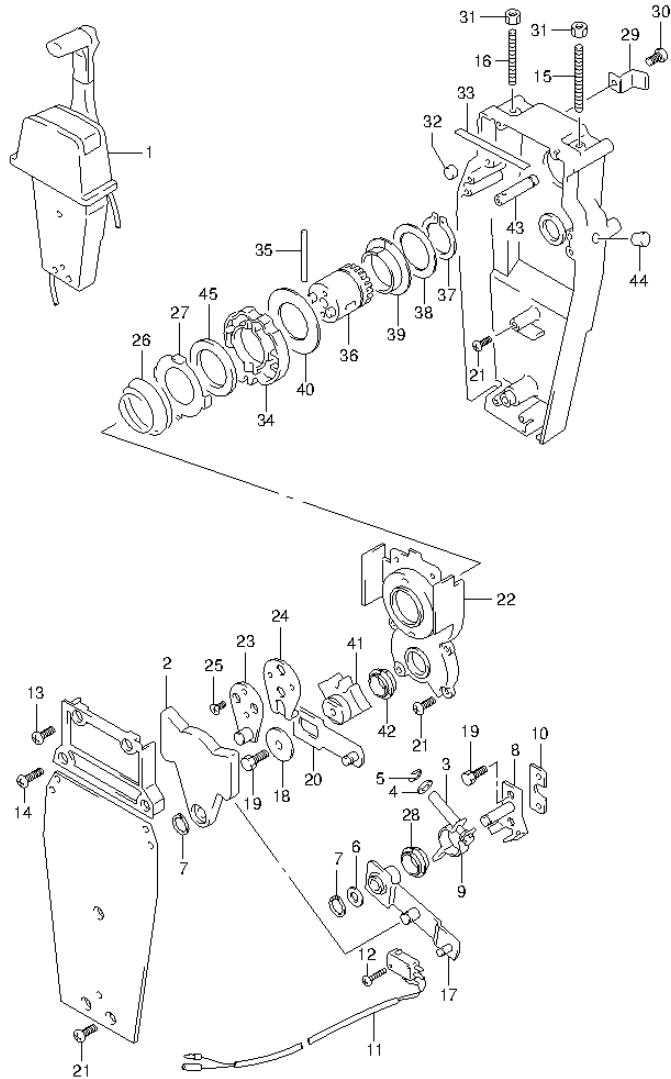


FIG.185 (2-H-8) OPT:REMOTE CONTROL ASSY SINGLE (2) (DF90A E40)

REF NO.	PART NO.	DESCRIPTION	Q'TY	REMARKS
35	67239-92E00	.PIN	1	
36	67246-92E00	.SHIFT, DRIVE	1	
37	67291-92E10	.SNAP RING	1	
38	67253-92E10	.WASHER	1	
39	67252-92E10	.BUSH	1	
40	67253-95600	.WASHER	1	
41	67231-92E00	.GEAR, SHIFT	1	
42	67232-95600	.BUSH	1	
43	67241-92E10	.ROD, FREE ACC	1	
44	67243-92E00	.CAP, HOLE	1	
45	67239-92E10	.PLATE, SHIFT PIN	1	

FIG.186

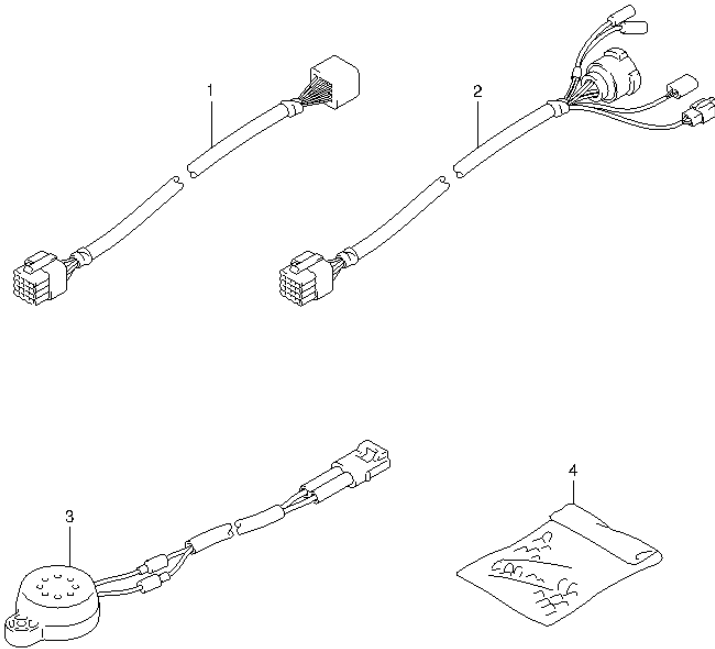


FIG.186 (2-H-9) OPT:HARNESS (DF70A E01)

REF NO.	PART NO.	DESCRIPTION	Q'TY	REMARKS
1-1	36620-93J10	WIRE ASSY, REMOCON EXTENSION	1	L:2000
1-2	36620-93J40	WIRE ASSY, REMOCON EXTENSION	1	L:3000
2	36620-93J30	WIRE ASSY, REMOCON ADAPTER	1	L:2000
3	38500-93J00	BUZZER ASSY, WARNING	1	
4	36990-87D00	TERMINAL & SLEEVE SET	1	

FIG.187

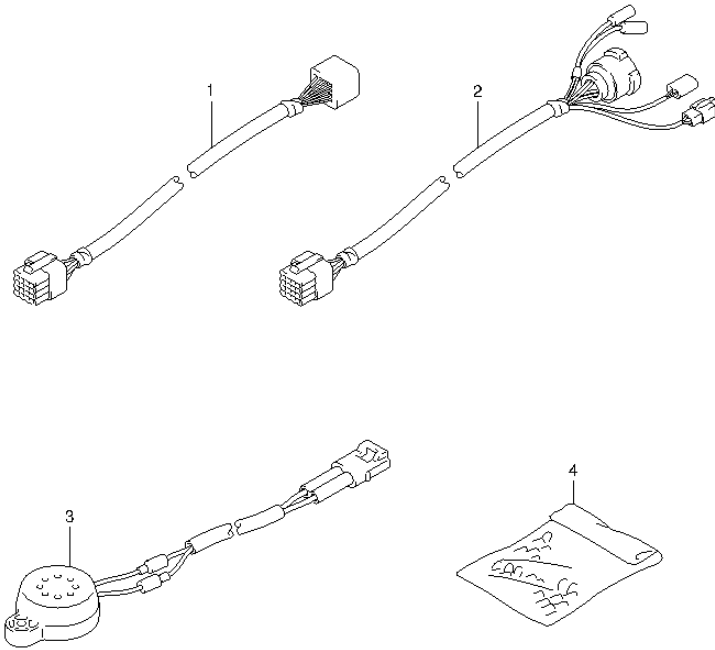


FIG.187 (2-H-10) OPT:HARNESS (DF70A E40)

REF NO.	PART NO.	DESCRIPTION	Q'TY	REMARKS
1-1	36620-93J10	WIRE ASSY, REMOCON EXTENSION	1	L:2000
1-2	36620-93J40	WIRE ASSY, REMOCON EXTENSION	1	L:3000
2	36620-93J30	WIRE ASSY, REMOCON ADAPTER	1	L:2000
3	38500-93J00	BUZZER ASSY, WARNING	1	
4	36990-87D00	TERMINAL & SLEEVE SET	1	

FIG.188

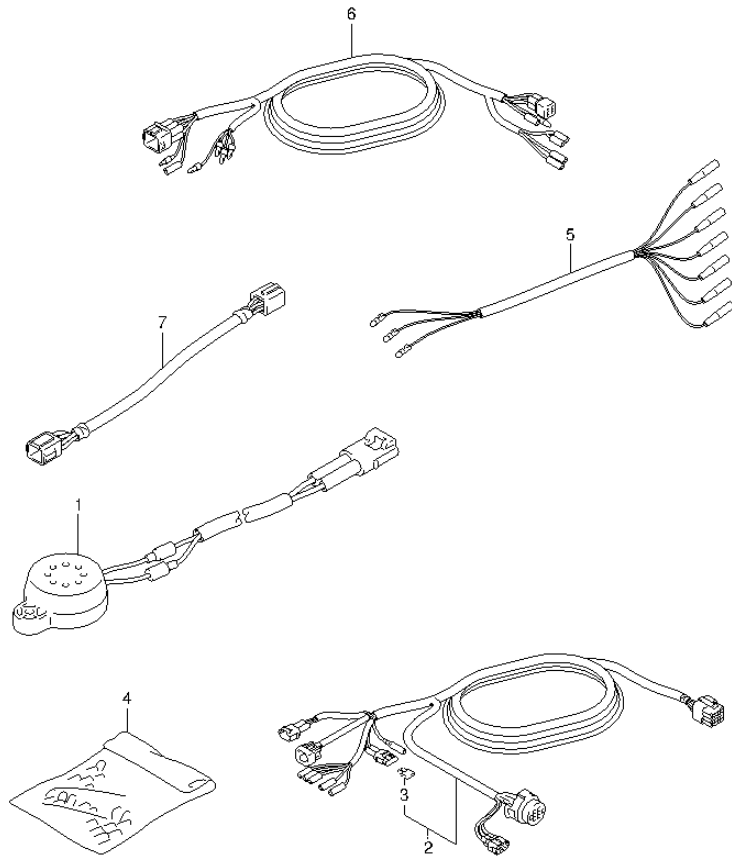


FIG.188 (2-H-11) OPT:HARNESS (DF70ATH E01)

REF NO.	PART NO.	DESCRIPTION	Q'TY	REMARKS
1	38500-93J00	BUZZER ASSY, WARNING	1	
2-1	36620-93J02	WIRE ASSY, REMOTE CONTROL	1	L:5000
2-2	36620-93J52	WIRE ASSY, REMOTE CONTROL	1	L:3500
2-3	36620-93J62	WIRE ASSY, REMOTE CONTROL	1	L:6500
3	09481-10501	.FUSE (10A)	1	
4	36990-87D00	TERMINAL & SLEEVE SET	1	
5	36630-92E00	WIRE ASSY, INSTRUMENT	1	
6	36660-94480	WIRE, MONITOR GAUGE EXTENSION	1	
7	36682-92E00	WIRE, MONITOR GAUGE EXTENSION	1	

FIG.189

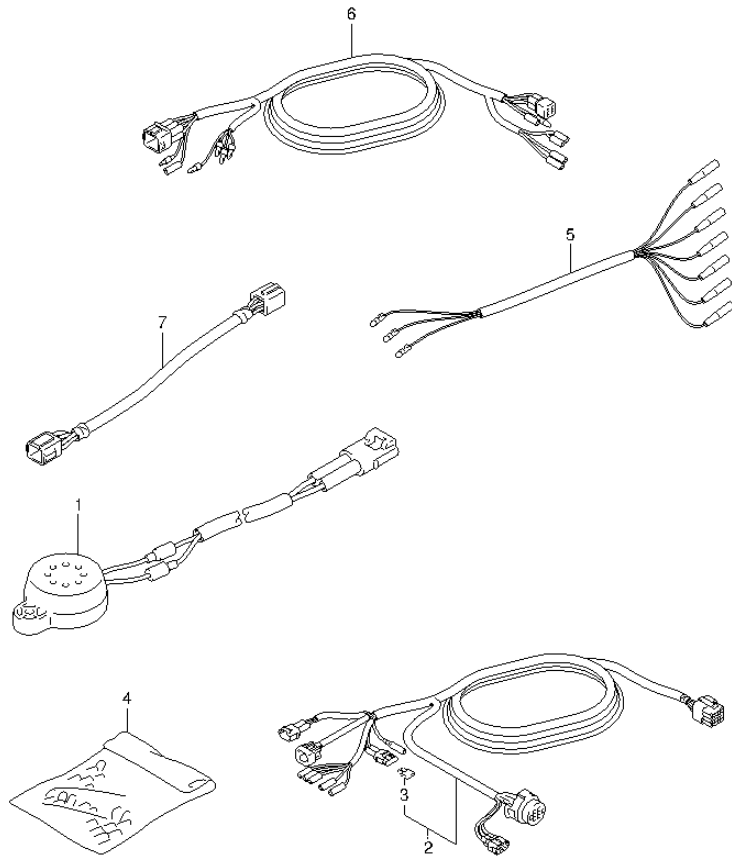


FIG.189 (2-H-12) OPT:HARNESS (DF70ATH E40)

REF NO.	PART NO.	DESCRIPTION	Q'TY	REMARKS
1	38500-93J00	BUZZER ASSY, WARNING	1	
2-1	36620-93J02	WIRE ASSY, REMOTE CONTROL	1	L:5000
2-2	36620-93J52	WIRE ASSY, REMOTE CONTROL	1	L:3500
2-3	36620-93J62	WIRE ASSY, REMOTE CONTROL	1	L:6500
3	09481-10501	.FUSE (10A)	1	
4	36990-87D00	TERMINAL & SLEEVE SET	1	
5	36630-92E00	WIRE ASSY, INSTRUMENT	1	
6	36660-94480	WIRE, MONITOR GAUGE EXTENSION	1	
7	36682-92E00	WIRE, MONITOR GAUGE EXTENSION	1	

FIG.190

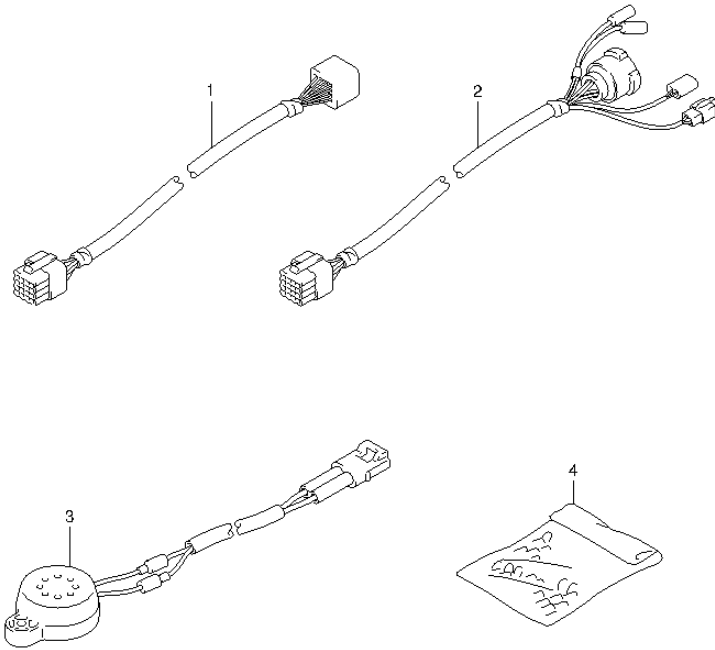


FIG.190 (2-H-13) OPT:HARNESS (DF80A E01)

REF NO.	PART NO.	DESCRIPTION	Q'TY	REMARKS
1-1	36620-93J10	WIRE ASSY, REMOCON EXTENSION	1	L:2000
1-2	36620-93J40	WIRE ASSY, REMOCON EXTENSION	1	L:3000
2	36620-93J30	WIRE ASSY, REMOCON ADAPTER	1	L:2000
3	38500-93J00	BUZZER ASSY, WARNING	1	
4	36990-87D00	TERMINAL & SLEEVE SET	1	

FIG.191

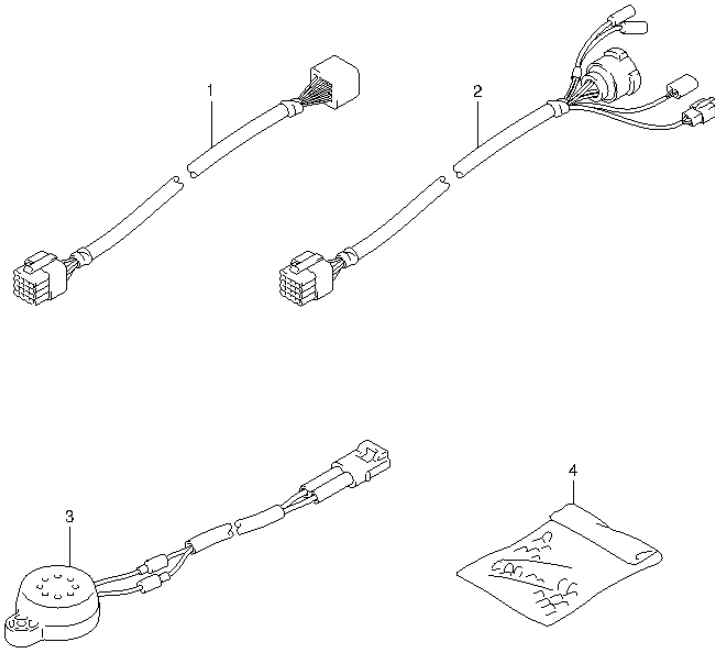


FIG.191 (2-H-14) OPT:HARNESS (DF80A E40)

REF NO.	PART NO.	DESCRIPTION	Q'TY	REMARKS
1-1	36620-93J10	WIRE ASSY, REMOCON EXTENSION	1	L:2000
1-2	36620-93J40	WIRE ASSY, REMOCON EXTENSION	1	L:3000
2	36620-93J30	WIRE ASSY, REMOCON ADAPTER	1	L:2000
3	38500-93J00	BUZZER ASSY, WARNING	1	
4	36990-87D00	TERMINAL & SLEEVE SET	1	

FIG.192

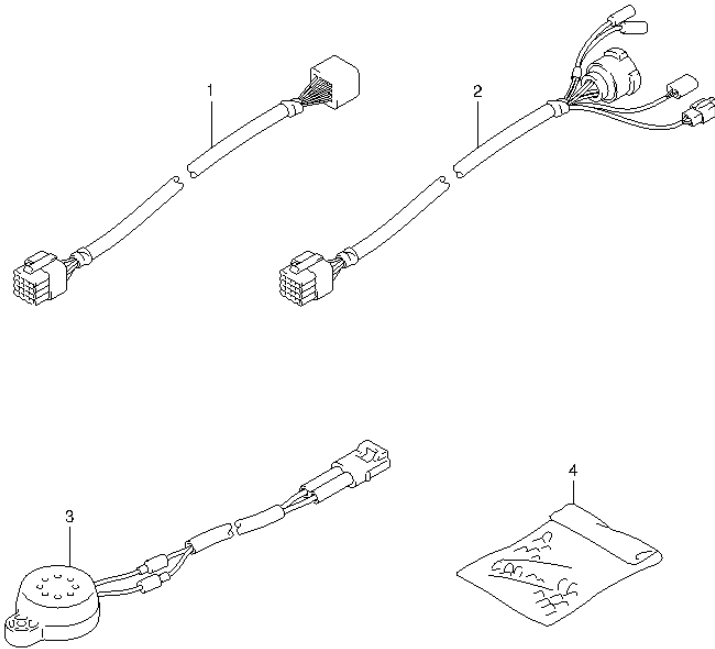


FIG.192 (2-H-15) OPT:HARNESS (DF90A E01)

REF NO.	PART NO.	DESCRIPTION	Q'TY	REMARKS
1-1	36620-93J10	WIRE ASSY, REMOCON EXTENSION	1	L:2000
1-2	36620-93J40	WIRE ASSY, REMOCON EXTENSION	1	L:3000
2	36620-93J30	WIRE ASSY, REMOCON ADAPTER	1	L:2000
3	38500-93J00	BUZZER ASSY, WARNING	1	
4	36990-87D00	TERMINAL & SLEEVE SET	1	

FIG.193

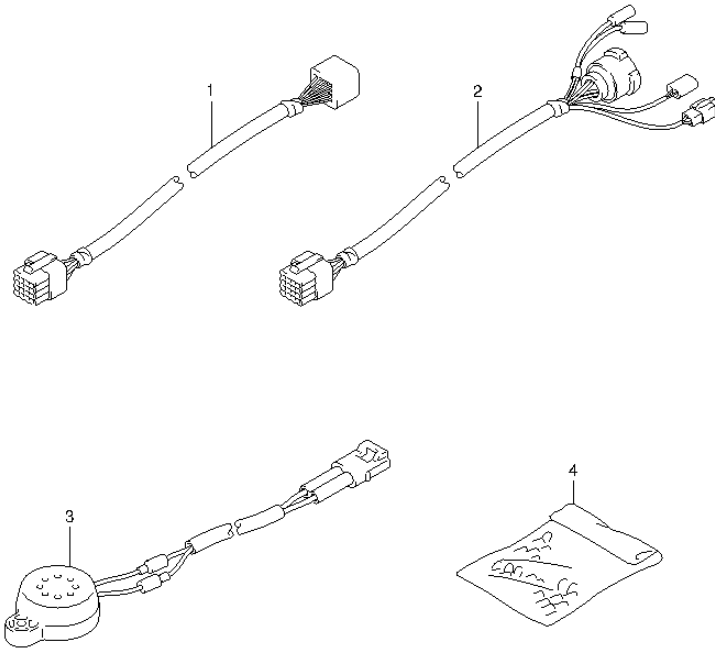


FIG.193 (2-I-2) OPT:HARNESS (DF90A E40)

REF NO.	PART NO.	DESCRIPTION	Q'TY	REMARKS
1-1	36620-93J10	WIRE ASSY, REMOCON EXTENSION	1	L:2000
1-2	36620-93J40	WIRE ASSY, REMOCON EXTENSION	1	L:3000
2	36620-93J30	WIRE ASSY, REMOCON ADAPTER	1	L:2000
3	38500-93J00	BUZZER ASSY, WARNING	1	
4	36990-87D00	TERMINAL & SLEEVE SET	1	

FIG.194

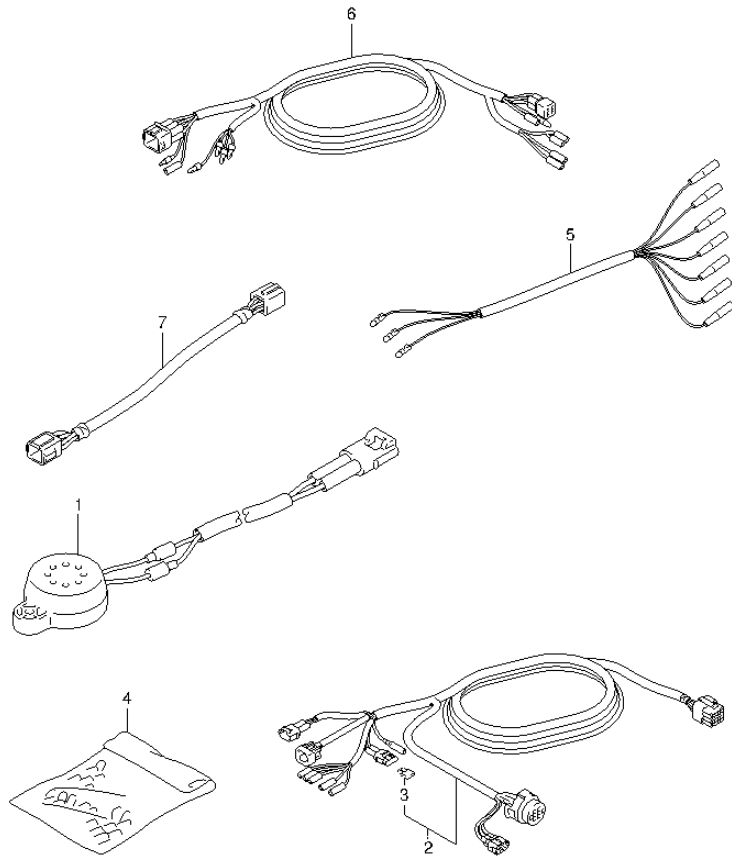


FIG.194 (2-I-3) OPT:HARNESS (DF90ATH E01)

REF NO.	PART NO.	DESCRIPTION	Q'TY	REMARKS
1	38500-93J00	BUZZER ASSY, WARNING	1	
2-1	36620-93J02	WIRE ASSY, REMOTE CONTROL	1	L:5000
2-2	36620-93J52	WIRE ASSY, REMOTE CONTROL	1	L:3500
2-3	36620-93J62	WIRE ASSY, REMOTE CONTROL	1	L:6500
3	09481-10501	.FUSE (10A)	1	
4	36990-87D00	TERMINAL & SLEEVE SET	1	
5	36630-92E00	WIRE ASSY, INSTRUMENT	1	
6	36660-94480	WIRE, MONITOR GAUGE EXTENSION	1	
7	36682-92E00	WIRE, MONITOR GAUGE EXTENSION	1	

FIG.195

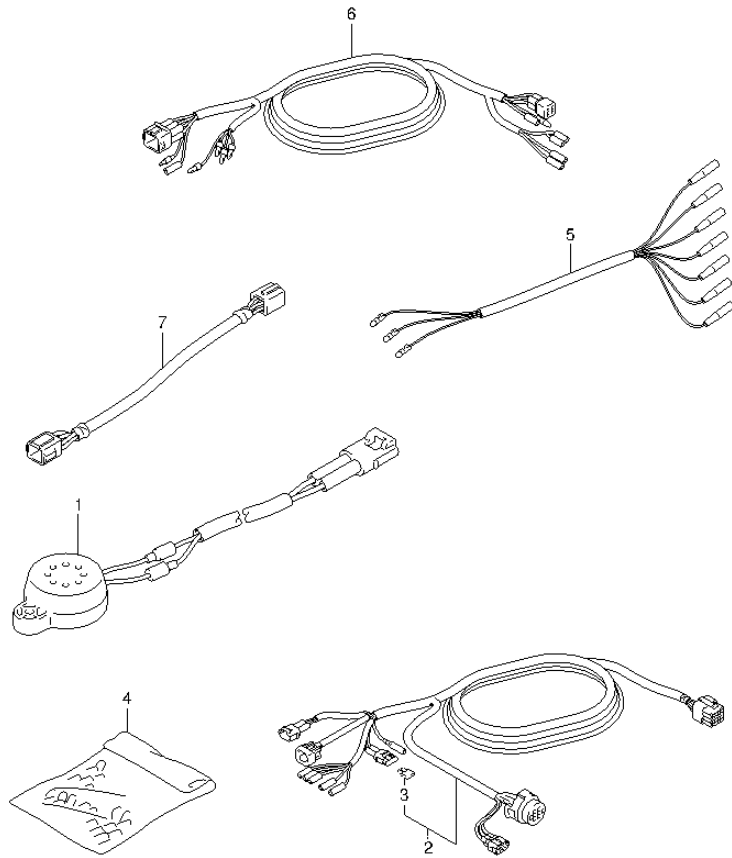


FIG.195 (2-I-4) OPT:HARNESS (DF90ATH E40)

REF NO.	PART NO.	DESCRIPTION	Q'TY	REMARKS
1	38500-93J00	BUZZER ASSY, WARNING	1	
2-1	36620-93J02	WIRE ASSY, REMOTE CONTROL	1	L:5000
2-2	36620-93J52	WIRE ASSY, REMOTE CONTROL	1	L:3500
2-3	36620-93J62	WIRE ASSY, REMOTE CONTROL	1	L:6500
3	09481-10501	.FUSE (10A)	1	
4	36990-87D00	TERMINAL & SLEEVE SET	1	
5	36630-92E00	WIRE ASSY, INSTRUMENT	1	
6	36660-94480	WIRE, MONITOR GAUGE EXTENSION	1	
7	36682-92E00	WIRE, MONITOR GAUGE EXTENSION	1	

FIG.196

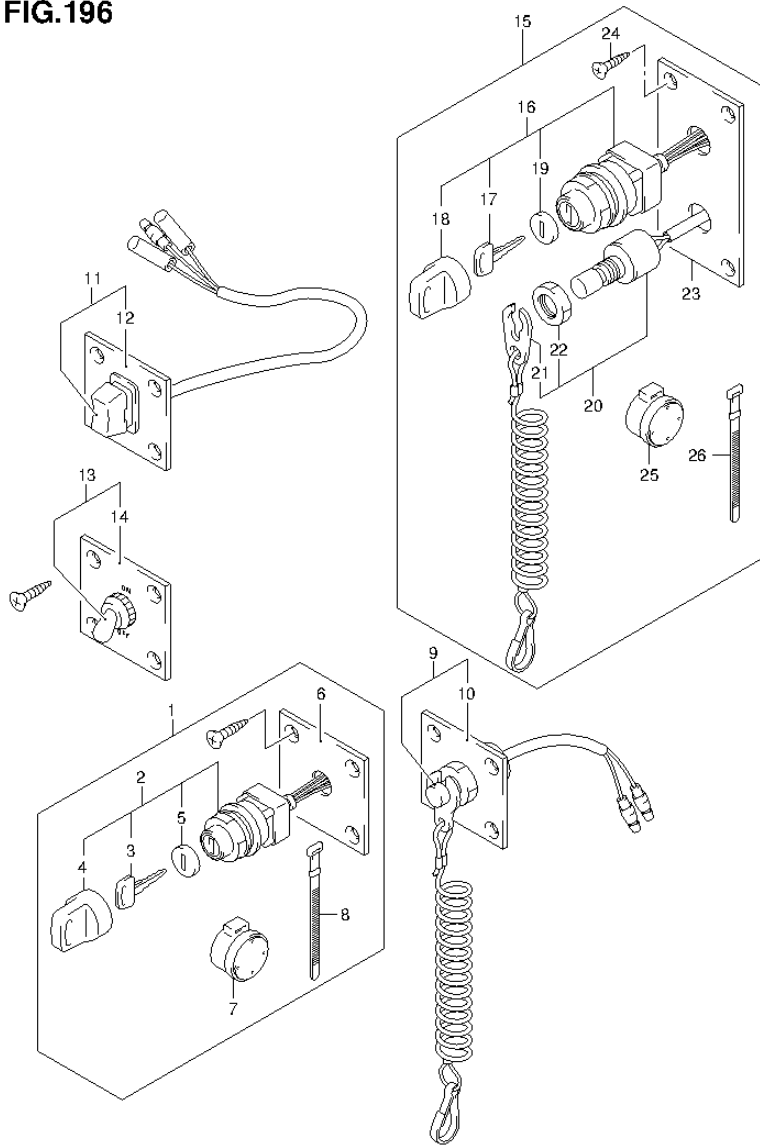


FIG.196 (2-I-5) OPT:SWITCH (DF70A E01)

REF NO.	PART NO.	DESCRIPTION	Q'TY	REMARKS
1	37100-96J00	PANEL ASSY, IGNITION SW	1	
2	37110-93J01	.SWITCH ASSY, IGNITION	1	
3-1	37141-99E00	..KEY (931)	2	
3-2	37141-99E10	..KEY (932)	2	
3-3	37141-99E20	..KEY (933)	2	
3-4	37141-99E30	..KEY (934)	2	
3-5	37141-99E40	..KEY (935)	2	
3-6	37141-99E50	..KEY (936)	2	
3-7	37141-99E60	..KEY (937)	2	
3-8	37141-99E70	..KEY (938)	2	
3-9	37141-99E80	..KEY (939)	2	
3-10	37141-99E90	..KEY (940)	2	
3-11	37141-99EA0	..KEY (941)	2	
3-12	37141-99EB0	..KEY (942)	2	
4	37143-99E00	..CAP, KEY	1	
5	37149-93J00	..CAP, CYLINDER BODY	1	
6	37139-99E00	.PANEL, IGNITION SW	1	
7	38500-93J90	.BUZZER ASSY, WARNING	1	
8	09407-08401	.CLAMP (L:80)	1	
9	37803-93J03	PANEL ASSY, EMERGENCY SW	1	
10	37825-99E00	.PANEL, EMERGENCY SW	1	
11	37805-93J00	PANEL ASSY, PTT SW	1	
12	37855-99E00	.PANEL, PTT SW	1	
13	37210-93J00	PANEL ASSY, LIGHTING SW	1	
14	37212-93J00	.PANEL, LIGHTING SW	1	
15	37100-96J23	PANEL ASSY, ENGINE SW	1	
16	37110-93J01	.SWITCH ASSY, IGNITION	1	
17-1	37141-99E00	..KEY (931)	2	
17-2	37141-99E10	..KEY (932)	2	
17-3	37141-99E20	..KEY (933)	2	
17-4	37141-99E30	..KEY (934)	2	
17-5	37141-99E40	..KEY (935)	2	
17-6	37141-99E50	..KEY (936)	2	
17-7	37141-99E60	..KEY (937)	2	

FIG.196

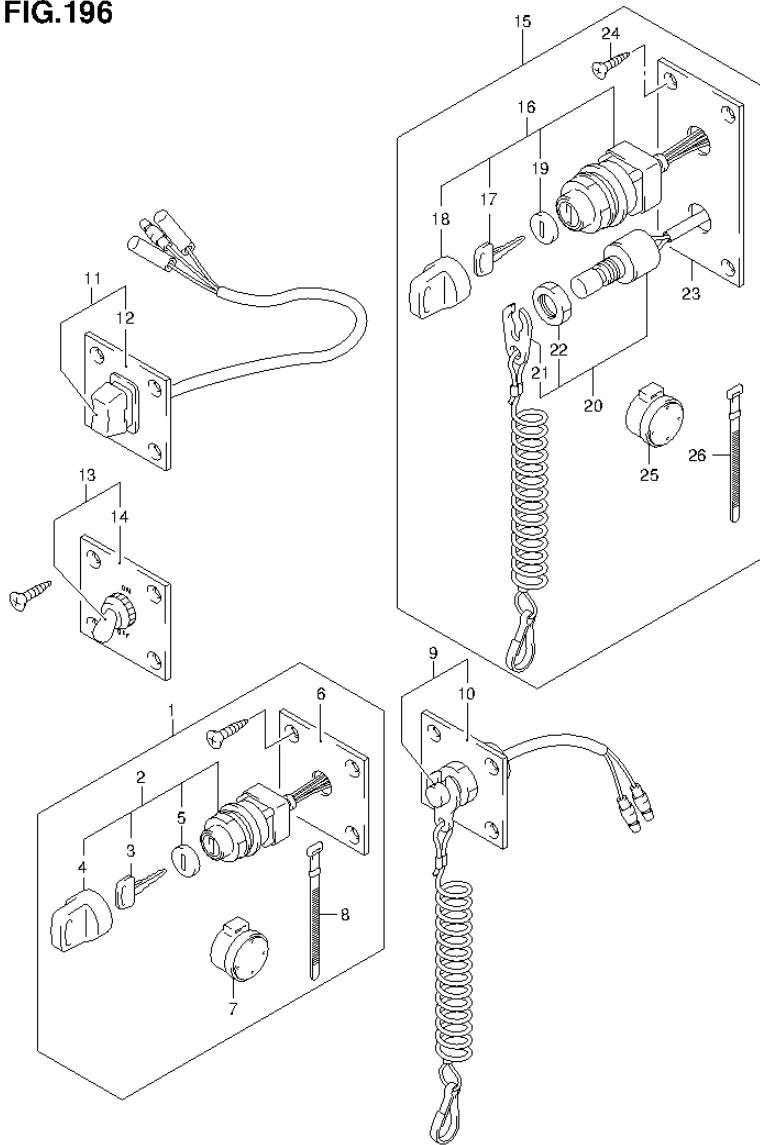


FIG.196 (2-I-6) OPT:SWITCH (DF70A E01)

REF NO.	PART NO.	DESCRIPTION	Q'TY	REMARKS
17-8	37141-99E70	..KEY (938)	2	
17-9	37141-99E80	..KEY (939)	2	
17-10	37141-99E90	..KEY (940)	2	
17-11	37141-99EA0	..KEY (941)	2	
17-12	37141-99EB0	..KEY (942)	2	
18	37143-99E00	..CAP, KEY	1	
19	37149-93J00	..CAP, CYLINDER BODY	1	
20	37820-93J03	..SWITCH ASSY, EMERGENCY	1	
21	37823-92E01	..PLATE ASSY, EMERGENCY SW LOCK	1	
22	37826-92E00	..NUT	1	
23	37139-99E20	..PANEL	1	
24	03121-0516A	..SCREW	4	
25	38500-93J90	..BUZZER ASSY, WARNING	1	
26	09407-08401	..CLAMP (L:80)	1	

FIG.197

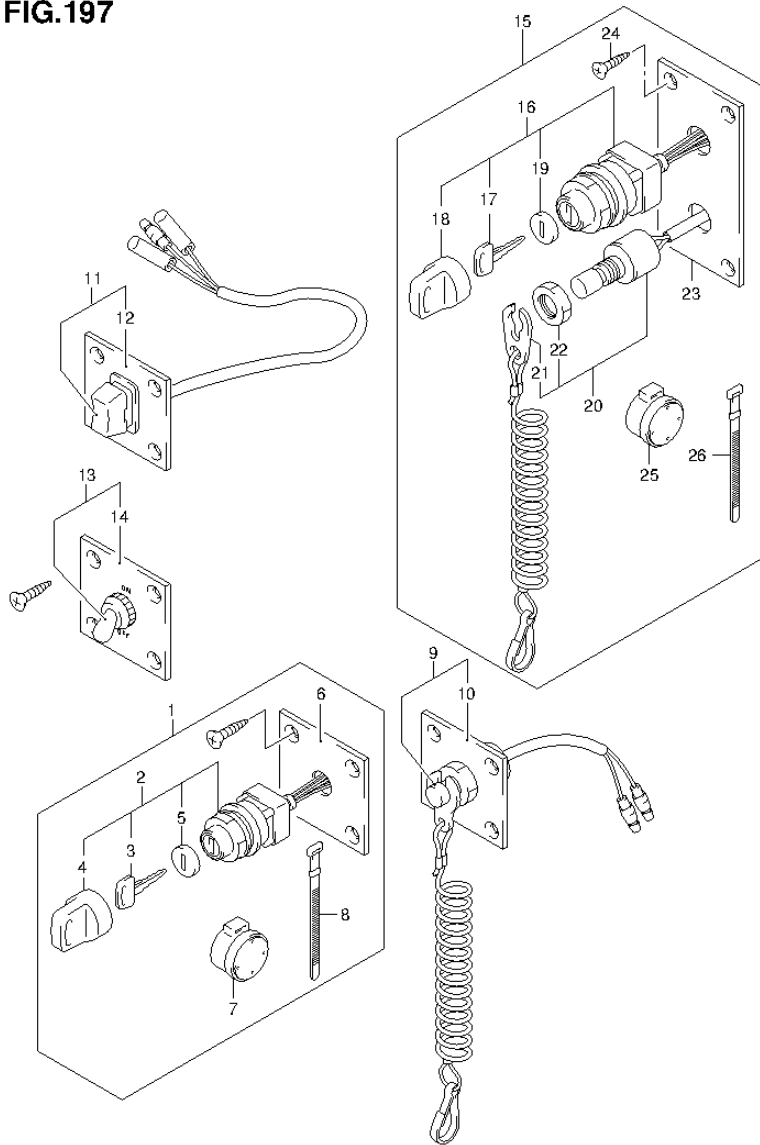


FIG.197 (2-I-7) OPT:SWITCH (DF70A E40)

REF NO.	PART NO.	DESCRIPTION	Q'TY	REMARKS
1	37100-96J00	PANEL ASSY, IGNITION SW	1	
2	37110-93J01	.SWITCH ASSY, IGNITION	1	
3-1	37141-99E00	..KEY (931)	2	
3-2	37141-99E10	..KEY (932)	2	
3-3	37141-99E20	..KEY (933)	2	
3-4	37141-99E30	..KEY (934)	2	
3-5	37141-99E40	..KEY (935)	2	
3-6	37141-99E50	..KEY (936)	2	
3-7	37141-99E60	..KEY (937)	2	
3-8	37141-99E70	..KEY (938)	2	
3-9	37141-99E80	..KEY (939)	2	
3-10	37141-99E90	..KEY (940)	2	
3-11	37141-99EA0	..KEY (941)	2	
3-12	37141-99EB0	..KEY (942)	2	
4	37143-99E00	..CAP, KEY	1	
5	37149-93J00	..CAP, CYLINDER BODY	1	
6	37139-99E00	.PANEL, IGNITION SW	1	
7	38500-93J90	.BUZZER ASSY, WARNING	1	
8	09407-08401	.CLAMP (L:80)	1	
9	37803-93J03	PANEL ASSY, EMERGENCY SW	1	
10	37825-99E00	.PANEL, EMERGENCY SW	1	
11	37805-93J00	PANEL ASSY, PTT SW	1	
12	37855-99E00	.PANEL, PTT SW	1	
13	37210-93J00	PANEL ASSY, LIGHTING SW	1	
14	37212-93J00	.PANEL, LIGHTING SW	1	
15	37100-96J23	PANEL ASSY, ENGINE SW	1	
16	37110-93J01	.SWITCH ASSY, IGNITION	1	
17-1	37141-99E00	..KEY (931)	2	
17-2	37141-99E10	..KEY (932)	2	
17-3	37141-99E20	..KEY (933)	2	
17-4	37141-99E30	..KEY (934)	2	
17-5	37141-99E40	..KEY (935)	2	
17-6	37141-99E50	..KEY (936)	2	
17-7	37141-99E60	..KEY (937)	2	

FIG.197

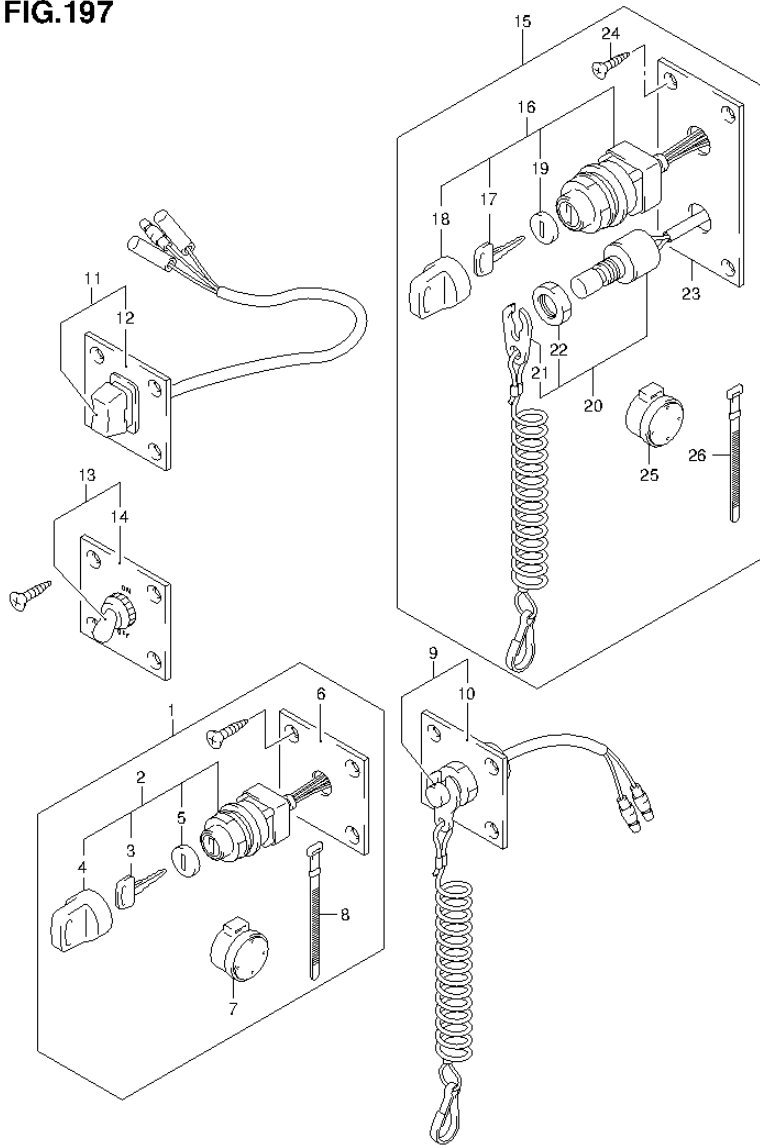


FIG.197 (2-I-8) OPT:SWITCH (DF70A E40)

REF NO.	PART NO.	DESCRIPTION	Q'TY	REMARKS
17-8	37141-99E70	..KEY (938)	2	
17-9	37141-99E80	..KEY (939)	2	
17-10	37141-99E90	..KEY (940)	2	
17-11	37141-99EA0	..KEY (941)	2	
17-12	37141-99EB0	..KEY (942)	2	
18	37143-99E00	..CAP, KEY	1	
19	37149-93J00	..CAP, CYLINDER BODY	1	
20	37820-93J03	..SWITCH ASSY, EMERGENCY	1	
21	37823-92E01	..PLATE ASSY, EMERGENCY SW LOCK	1	
22	37826-92E00	..NUT	1	
23	37139-99E20	..PANEL	1	
24	03121-0516A	..SCREW	4	
25	38500-93J90	..BUZZER ASSY, WARNING	1	
26	09407-08401	..CLAMP (L:80)	1	

FIG.198

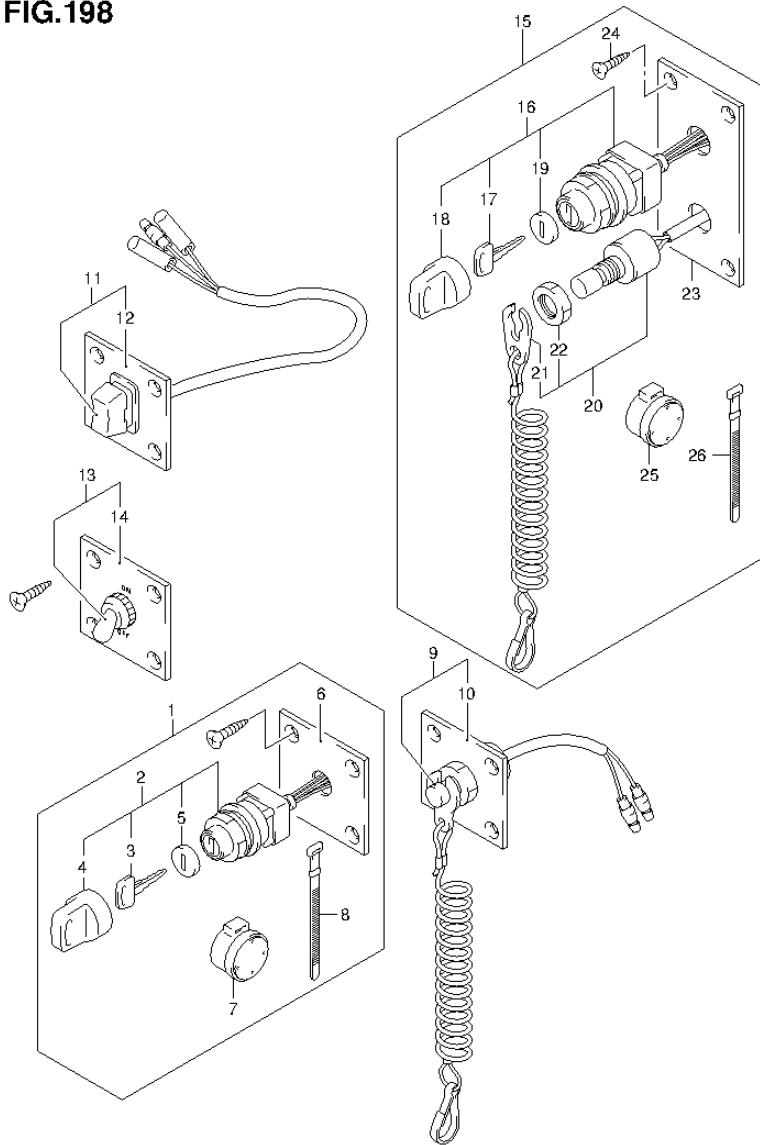
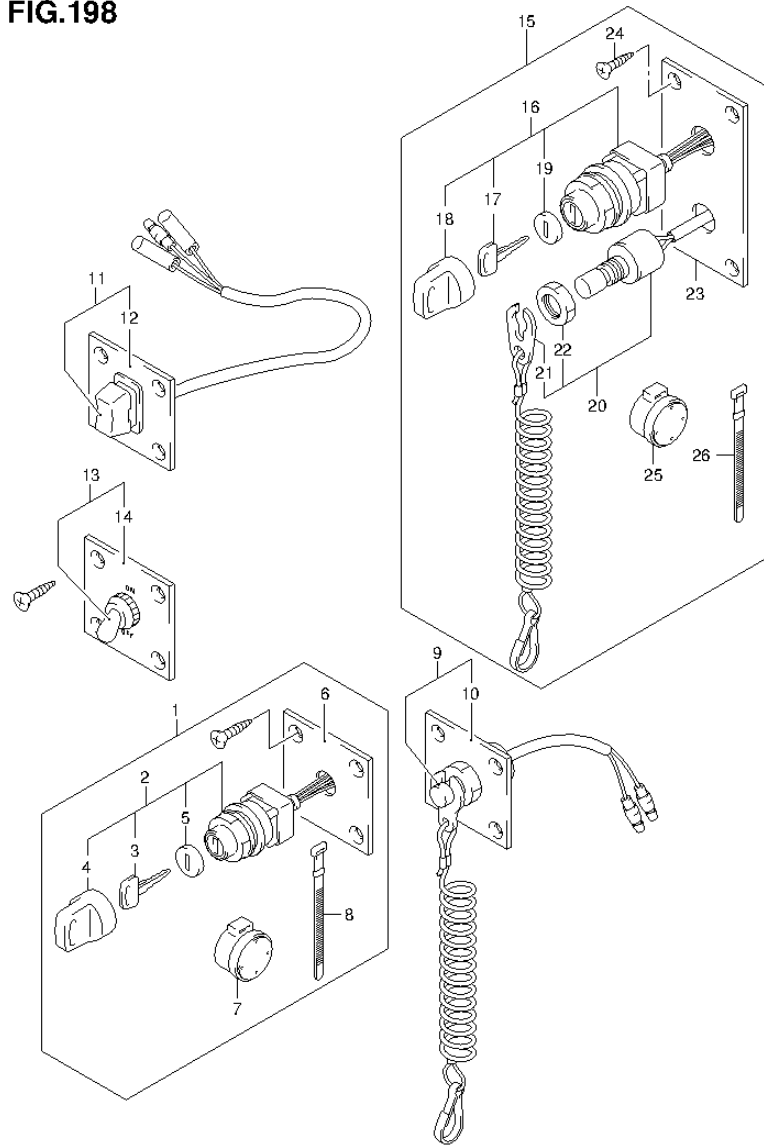


FIG.198 (2-I-9) OPT:SWITCH (DF80A E01)

REF NO.	PART NO.	DESCRIPTION	Q'TY	REMARKS
1	37100-96J00	PANEL ASSY, IGNITION SW	1	
2	37110-93J01	..SWITCH ASSY, IGNITION	1	
3-1	37141-99E00	..KEY (931)	2	
3-2	37141-99E10	..KEY (932)	2	
3-3	37141-99E20	..KEY (933)	2	
3-4	37141-99E30	..KEY (934)	2	
3-5	37141-99E40	..KEY (935)	2	
3-6	37141-99E50	..KEY (936)	2	
3-7	37141-99E60	..KEY (937)	2	
3-8	37141-99E70	..KEY (938)	2	
3-9	37141-99E80	..KEY (939)	2	
3-10	37141-99E90	..KEY (940)	2	
3-11	37141-99EA0	..KEY (941)	2	
3-12	37141-99EB0	..KEY (942)	2	
4	37143-99E00	..CAP, KEY	1	
5	37149-93J00	..CAP, CYLINDER BODY	1	
6	37139-99E00	..PANEL, IGNITION SW	1	
7	38500-93J90	..BUZZER ASSY, WARNING	1	
8	09407-08401	..CLAMP (L:80)	1	
9	37803-93J03	PANEL ASSY, EMERGENCY SW	1	
10	37825-99E00	..PANEL, EMERGENCY SW	1	
11	37805-93J00	PANEL ASSY, PTT SW	1	
12	37855-99E00	..PANEL, PTT SW	1	
13	37210-93J00	PANEL ASSY, LIGHTING SW	1	
14	37212-93J00	..PANEL, LIGHTING SW	1	
15	37100-96J23	PANEL ASSY, ENGINE SW	1	
16	37110-93J01	..SWITCH ASSY, IGNITION	1	
17-1	37141-99E00	..KEY (931)	2	
17-2	37141-99E10	..KEY (932)	2	
17-3	37141-99E20	..KEY (933)	2	
17-4	37141-99E30	..KEY (934)	2	
17-5	37141-99E40	..KEY (935)	2	
17-6	37141-99E50	..KEY (936)	2	
17-7	37141-99E60	..KEY (937)	2	

FIG.198



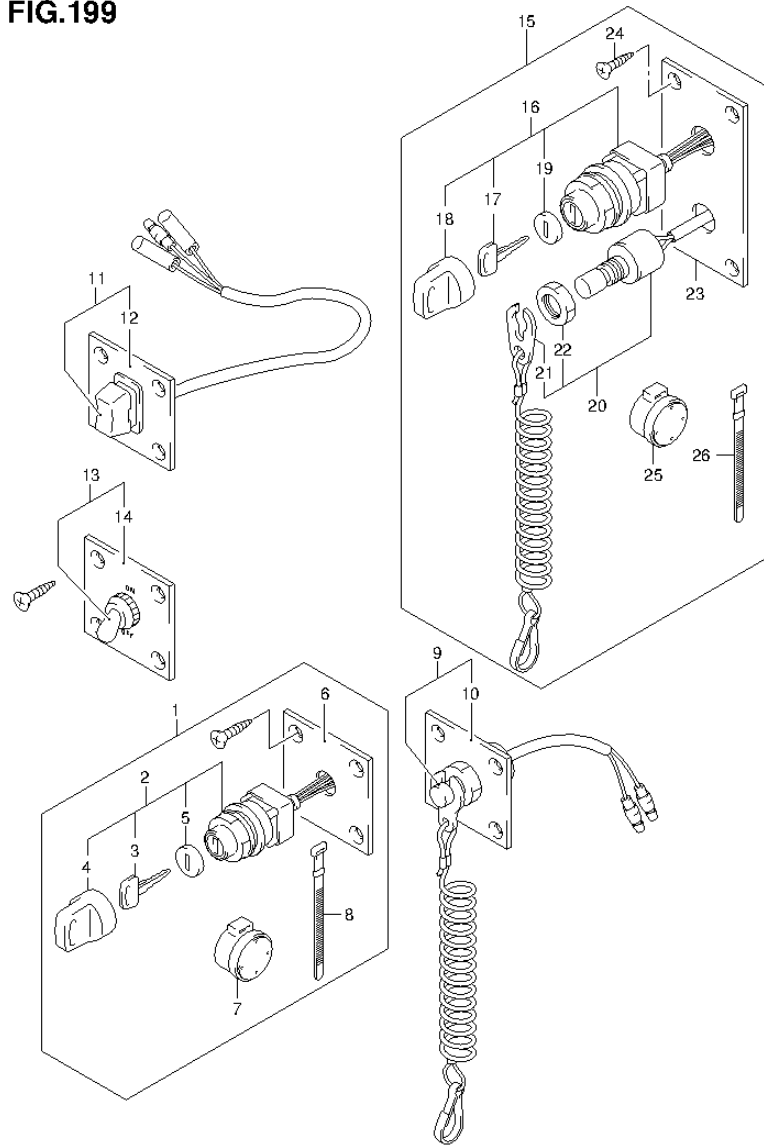
DF90A_E01_014_198
OPT:SWITCH

FIG.198 (2-I-10) OPT:SWITCH (DF80A E01)

REF NO.	PART NO.	DESCRIPTION	Q'TY	REMARKS
17-8	37141-99E70	..KEY (938)	2	
17-9	37141-99E80	..KEY (939)	2	
17-10	37141-99E90	..KEY (940)	2	
17-11	37141-99EA0	..KEY (941)	2	
17-12	37141-99EB0	..KEY (942)	2	
18	37143-99E00	..CAP, KEY	1	
19	37149-93J00	..CAP, CYLINDER BODY	1	
20	37820-93J03	..SWITCH ASSY, EMERGENCY	1	
21	37823-92E01	..PLATE ASSY, EMERGENCY SW LOCK	1	
22	37826-92E00	..NUT	1	
23	37139-99E20	..PANEL	1	
24	03121-0516A	..SCREW	4	
25	38500-93J90	..BUZZER ASSY, WARNING	1	
26	09407-08401	..CLAMP (L:80)	1	

DF90A_E01_014

FIG.199



DF90A_E01_014_199
OPT:SWITCH

FIG.199 (2-I-11) OPT:SWITCH (DF80A E40)

REF NO.	PART NO.	DESCRIPTION	Q'TY	REMARKS
1	37100-96J00	PANEL ASSY, IGNITION SW	1	
2	37110-93J01	..SWITCH ASSY, IGNITION	1	
3-1	37141-99E00	..KEY (931)	2	
3-2	37141-99E10	..KEY (932)	2	
3-3	37141-99E20	..KEY (933)	2	
3-4	37141-99E30	..KEY (934)	2	
3-5	37141-99E40	..KEY (935)	2	
3-6	37141-99E50	..KEY (936)	2	
3-7	37141-99E60	..KEY (937)	2	
3-8	37141-99E70	..KEY (938)	2	
3-9	37141-99E80	..KEY (939)	2	
3-10	37141-99E90	..KEY (940)	2	
3-11	37141-99EA0	..KEY (941)	2	
3-12	37141-99EB0	..KEY (942)	2	
4	37143-99E00	..CAP, KEY	1	
5	37149-93J00	..CAP, CYLINDER BODY	1	
6	37139-99E00	..PANEL, IGNITION SW	1	
7	38500-93J90	..BUZZER ASSY, WARNING	1	
8	09407-08401	..CLAMP (L:80)	1	
9	37803-93J03	PANEL ASSY, EMERGENCY SW	1	
10	37825-99E00	..PANEL, EMERGENCY SW	1	
11	37805-93J00	PANEL ASSY, PTT SW	1	
12	37855-99E00	..PANEL, PTT SW	1	
13	37210-93J00	PANEL ASSY, LIGHTING SW	1	
14	37212-93J00	..PANEL, LIGHTING SW	1	
15	37100-96J23	PANEL ASSY, ENGINE SW	1	
16	37110-93J01	..SWITCH ASSY, IGNITION	1	
17-1	37141-99E00	..KEY (931)	2	
17-2	37141-99E10	..KEY (932)	2	
17-3	37141-99E20	..KEY (933)	2	
17-4	37141-99E30	..KEY (934)	2	
17-5	37141-99E40	..KEY (935)	2	
17-6	37141-99E50	..KEY (936)	2	
17-7	37141-99E60	..KEY (937)	2	

DF90A_E01_014

FIG.199

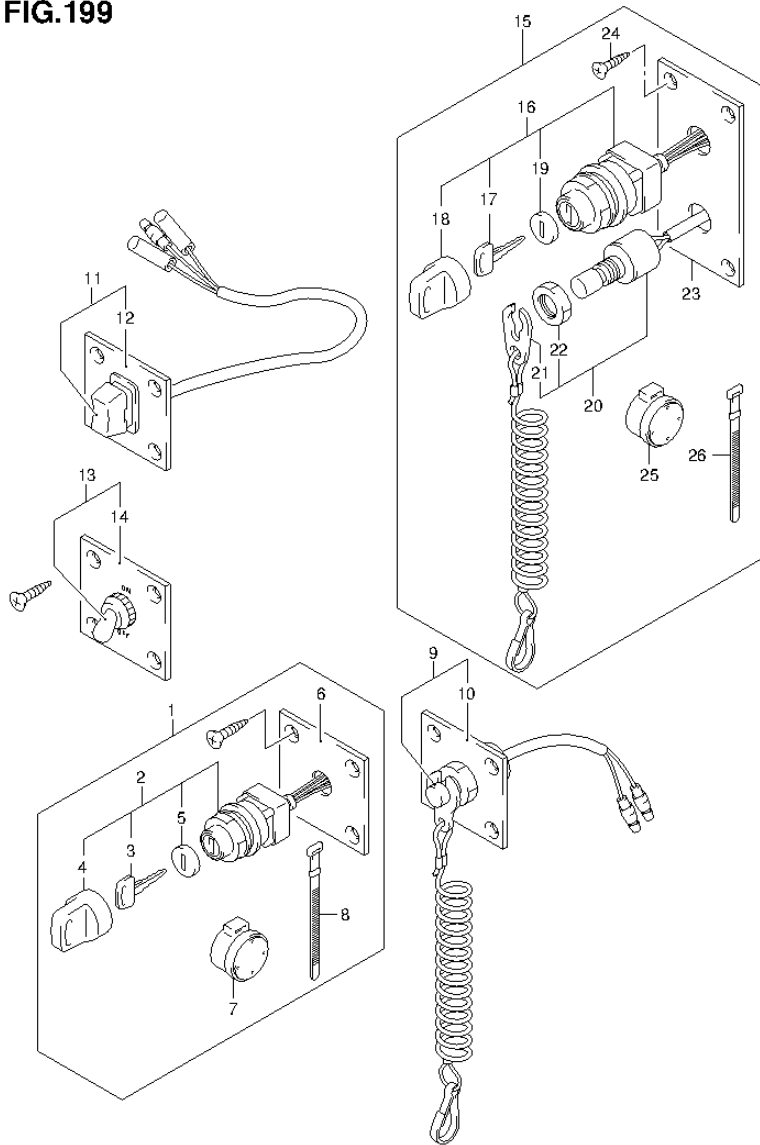
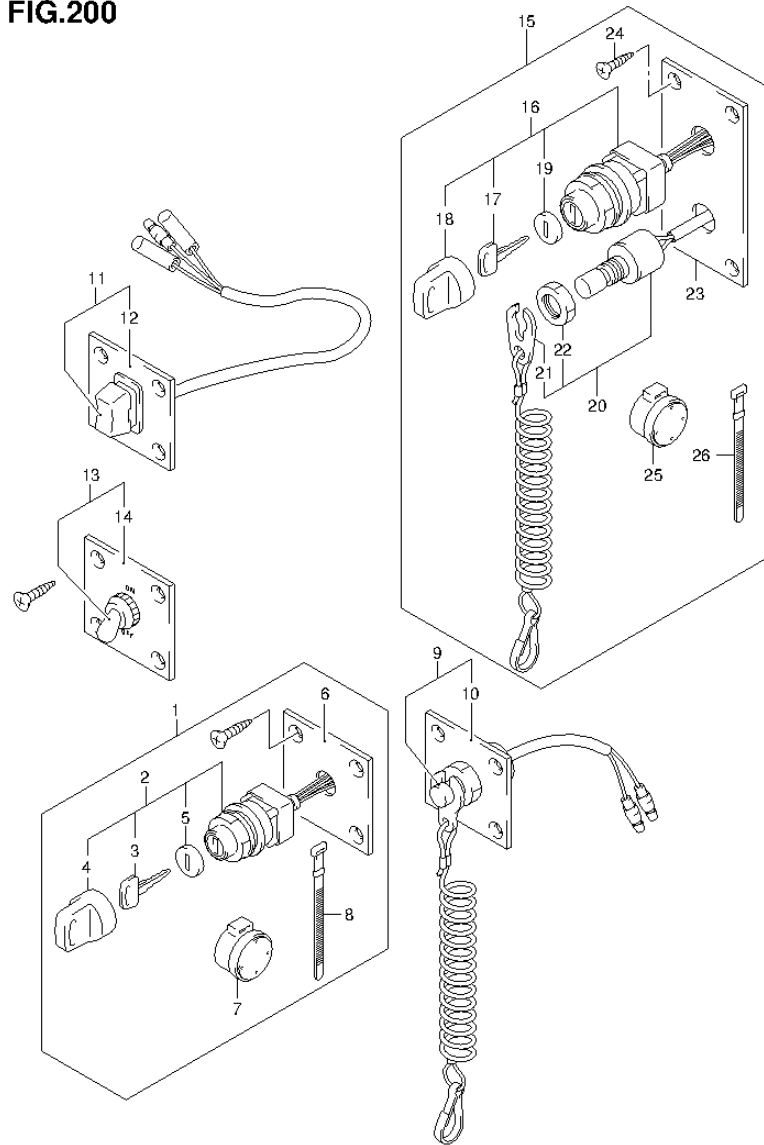


FIG.199 (2-I-12) OPT:SWITCH (DF80A E40)

REF NO.	PART NO.	DESCRIPTION	Q'TY	REMARKS
17-8	37141-99E70	..KEY (938)	2	
17-9	37141-99E80	..KEY (939)	2	
17-10	37141-99E90	..KEY (940)	2	
17-11	37141-99EA0	..KEY (941)	2	
17-12	37141-99EB0	..KEY (942)	2	
18	37143-99E00	..CAP, KEY	1	
19	37149-93J00	..CAP, CYLINDER BODY	1	
20	37820-93J03	..SWITCH ASSY, EMERGENCY	1	
21	37823-92E01	..PLATE ASSY, EMERGENCY SW LOCK	1	
22	37826-92E00	..NUT	1	
23	37139-99E20	..PANEL	1	
24	03121-0516A	..SCREW	4	
25	38500-93J90	..BUZZER ASSY, WARNING	1	
26	09407-08401	..CLAMP (L:80)	1	

FIG.200



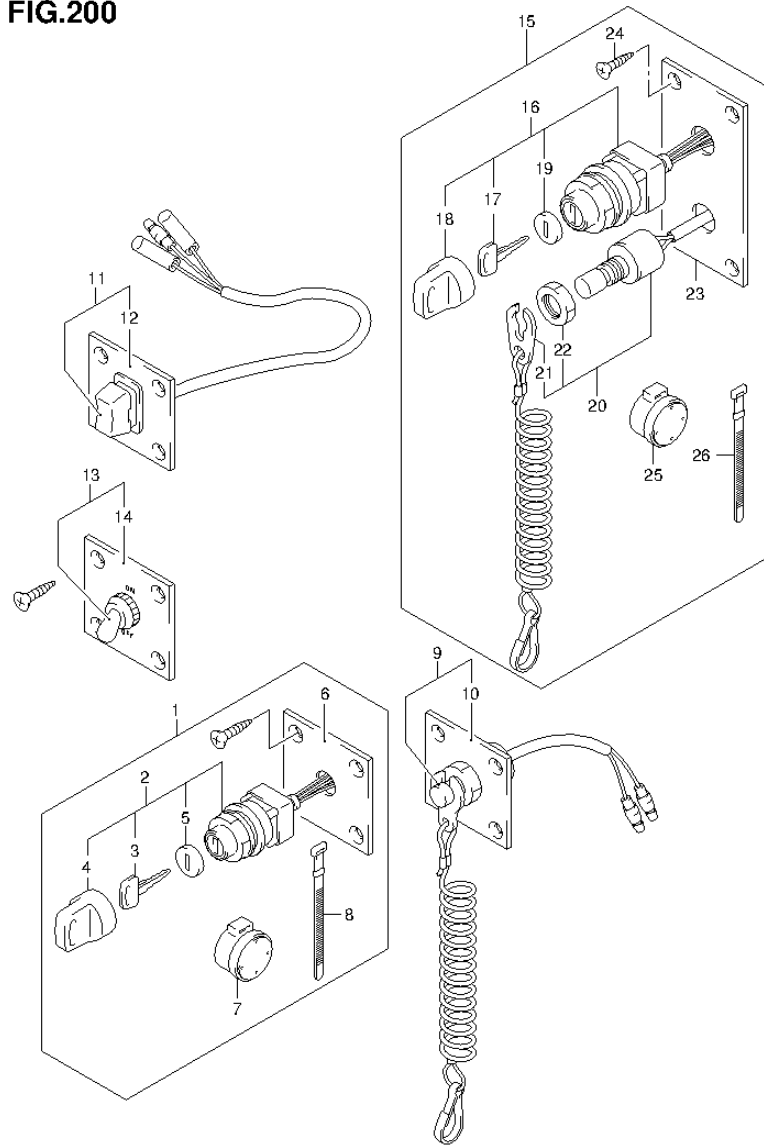
DF90A_E01_014_200
OPT:SWITCH

FIG.200 (2-I-13) OPT:SWITCH (DF90A E01)

REF NO.	PART NO.	DESCRIPTION	Q'TY	REMARKS
1	37100-96J00	PANEL ASSY, IGNITION SW	1	
2	37110-93J01	..SWITCH ASSY, IGNITION	1	
3-1	37141-99E00	..KEY (931)	2	
3-2	37141-99E10	..KEY (932)	2	
3-3	37141-99E20	..KEY (933)	2	
3-4	37141-99E30	..KEY (934)	2	
3-5	37141-99E40	..KEY (935)	2	
3-6	37141-99E50	..KEY (936)	2	
3-7	37141-99E60	..KEY (937)	2	
3-8	37141-99E70	..KEY (938)	2	
3-9	37141-99E80	..KEY (939)	2	
3-10	37141-99E90	..KEY (940)	2	
3-11	37141-99EA0	..KEY (941)	2	
3-12	37141-99EB0	..KEY (942)	2	
4	37143-99E00	..CAP, KEY	1	
5	37149-93J00	..CAP, CYLINDER BODY	1	
6	37139-99E00	..PANEL, IGNITION SW	1	
7	38500-93J90	..BUZZER ASSY, WARNING	1	
8	09407-08401	..CLAMP (L:80)	1	
9	37803-93J03	PANEL ASSY, EMERGENCY SW	1	
10	37825-99E00	..PANEL, EMERGENCY SW	1	
11	37805-93J00	PANEL ASSY, PTT SW	1	
12	37855-99E00	..PANEL, PTT SW	1	
13	37210-93J00	PANEL ASSY, LIGHTING SW	1	
14	37212-93J00	..PANEL, LIGHTING SW	1	
15	37100-96J23	PANEL ASSY, ENGINE SW	1	
16	37110-93J01	..SWITCH ASSY, IGNITION	1	
17-1	37141-99E00	..KEY (931)	2	
17-2	37141-99E10	..KEY (932)	2	
17-3	37141-99E20	..KEY (933)	2	
17-4	37141-99E30	..KEY (934)	2	
17-5	37141-99E40	..KEY (935)	2	
17-6	37141-99E50	..KEY (936)	2	
17-7	37141-99E60	..KEY (937)	2	

DF90A_E01_014

FIG.200



DF90A_E01_014_200
OPT:SWITCH

FIG.200 (2-I-14) OPT:SWITCH (DF90A E01)

REF NO.	PART NO.	DESCRIPTION	Q'TY	REMARKS
17-8	37141-99E70	..KEY (938)	2	
17-9	37141-99E80	..KEY (939)	2	
17-10	37141-99E90	..KEY (940)	2	
17-11	37141-99EA0	..KEY (941)	2	
17-12	37141-99EB0	..KEY (942)	2	
18	37143-99E00	..CAP, KEY	1	
19	37149-93J00	..CAP, CYLINDER BODY	1	
20	37820-93J03	..SWITCH ASSY, EMERGENCY	1	
21	37823-92E01	..PLATE ASSY, EMERGENCY SW LOCK	1	
22	37826-92E00	..NUT	1	
23	37139-99E20	..PANEL	1	
24	03121-0516A	..SCREW	4	
25	38500-93J90	..BUZZER ASSY, WARNING	1	
26	09407-08401	..CLAMP (L:80)	1	

DF90A_E01_014

FIG.201

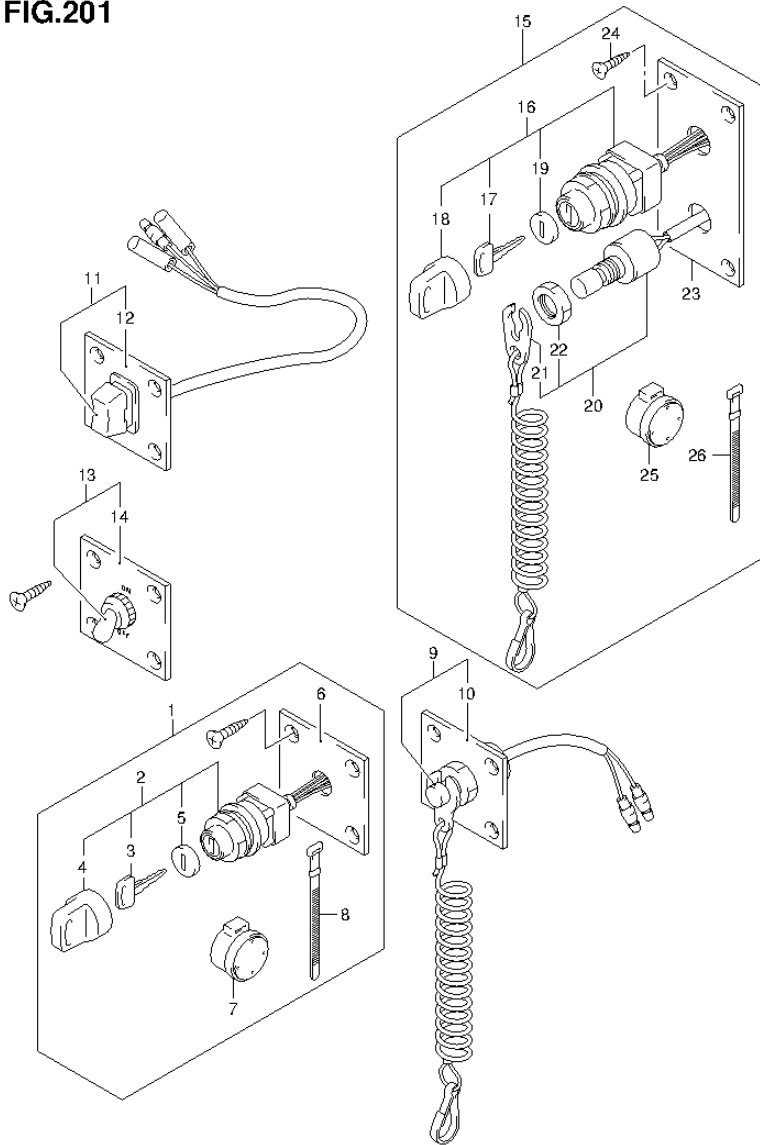


FIG.201 (2-I-15) OPT:SWITCH (DF90A E40)

REF NO.	PART NO.	DESCRIPTION	Q'TY	REMARKS
1	37100-96J00	PANEL ASSY, IGNITION SW	1	
2	37110-93J01	..SWITCH ASSY, IGNITION	1	
3-1	37141-99E00	..KEY (931)	2	
3-2	37141-99E10	..KEY (932)	2	
3-3	37141-99E20	..KEY (933)	2	
3-4	37141-99E30	..KEY (934)	2	
3-5	37141-99E40	..KEY (935)	2	
3-6	37141-99E50	..KEY (936)	2	
3-7	37141-99E60	..KEY (937)	2	
3-8	37141-99E70	..KEY (938)	2	
3-9	37141-99E80	..KEY (939)	2	
3-10	37141-99E90	..KEY (940)	2	
3-11	37141-99EA0	..KEY (941)	2	
3-12	37141-99EB0	..KEY (942)	2	
4	37143-99E00	..CAP, KEY	1	
5	37149-93J00	..CAP, CYLINDER BODY	1	
6	37139-99E00	..PANEL, IGNITION SW	1	
7	38500-93J90	..BUZZER ASSY, WARNING	1	
8	09407-08401	..CLAMP (L:80)	1	
9	37803-93J03	PANEL ASSY, EMERGENCY SW	1	
10	37825-99E00	..PANEL, EMERGENCY SW	1	
11	37805-93J00	PANEL ASSY, PTT SW	1	
12	37855-99E00	..PANEL, PTT SW	1	
13	37210-93J00	PANEL ASSY, LIGHTING SW	1	
14	37212-93J00	..PANEL, LIGHTING SW	1	
15	37100-96J23	PANEL ASSY, ENGINE SW	1	
16	37110-93J01	..SWITCH ASSY, IGNITION	1	
17-1	37141-99E00	..KEY (931)	2	
17-2	37141-99E10	..KEY (932)	2	
17-3	37141-99E20	..KEY (933)	2	
17-4	37141-99E30	..KEY (934)	2	
17-5	37141-99E40	..KEY (935)	2	
17-6	37141-99E50	..KEY (936)	2	
17-7	37141-99E60	..KEY (937)	2	

FIG.201

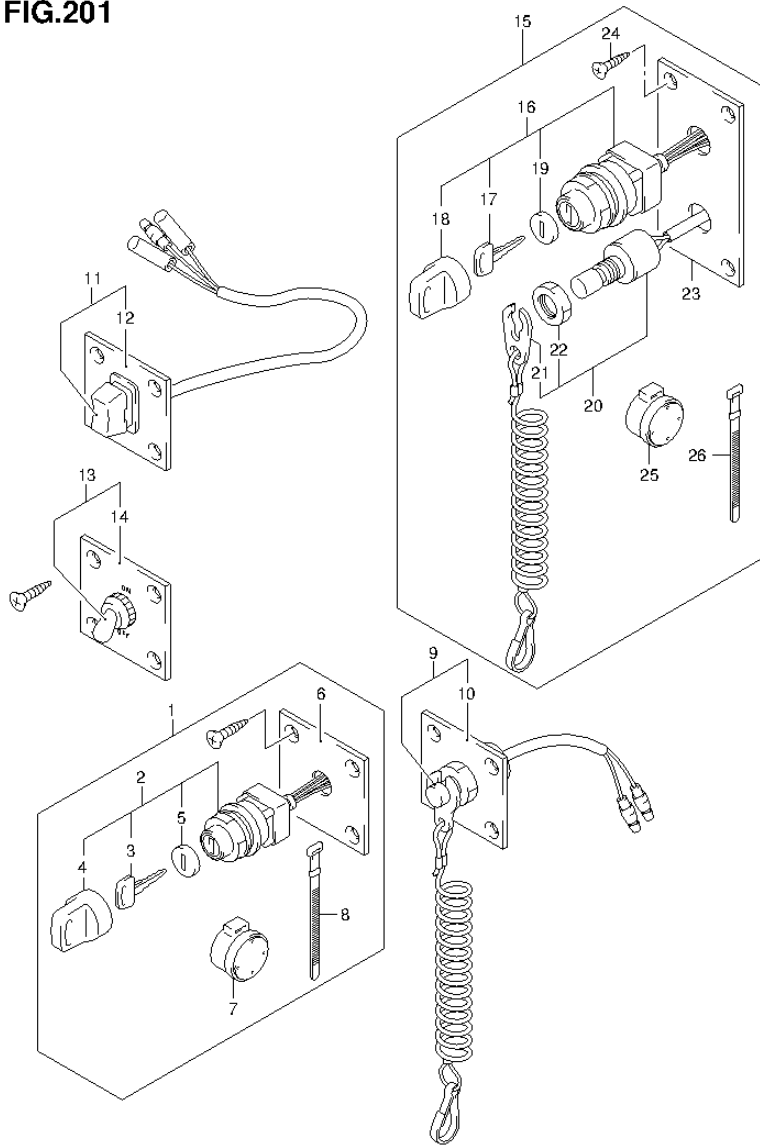
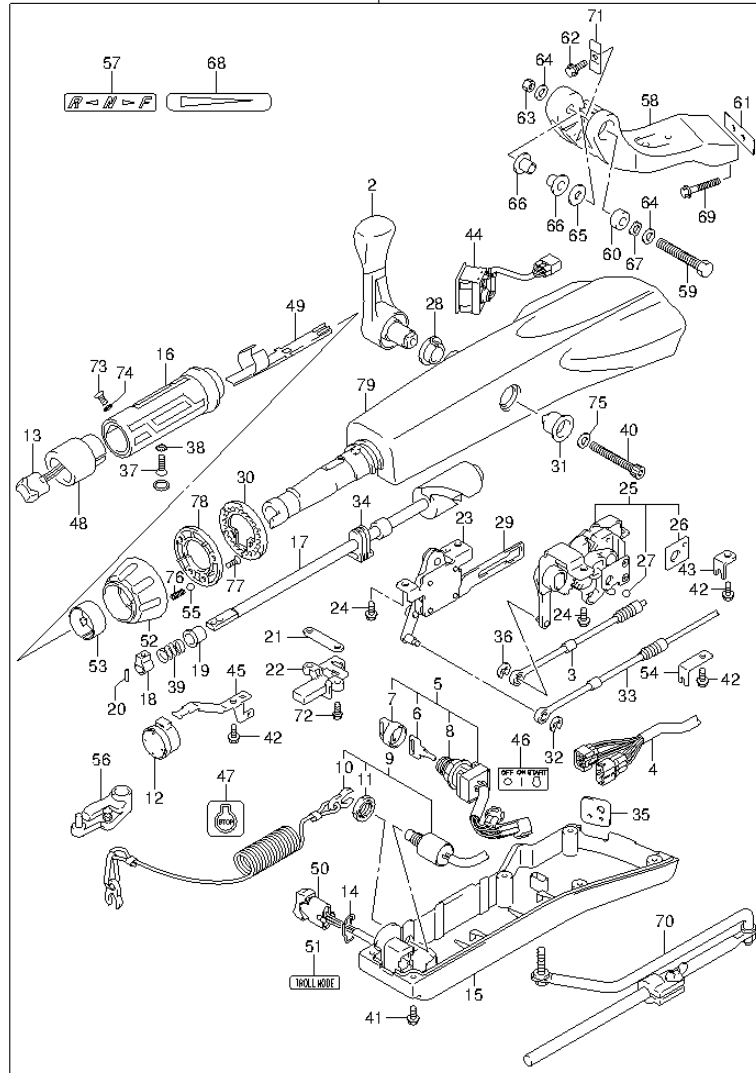


FIG.201 (2-J-2) OPT:SWITCH (DF90A E40)

REF NO.	PART NO.	DESCRIPTION	Q'TY	REMARKS
17-8	37141-99E70	..KEY (938)	2	
17-9	37141-99E80	..KEY (939)	2	
17-10	37141-99E90	..KEY (940)	2	
17-11	37141-99EA0	..KEY (941)	2	
17-12	37141-99EB0	..KEY (942)	2	
18	37143-99E00	..CAP, KEY	1	
19	37149-93J00	..CAP, CYLINDER BODY	1	
20	37820-93J03	..SWITCH ASSY, EMERGENCY	1	
21	37823-92E01	..PLATE ASSY, EMERGENCY SW LOCK	1	
22	37826-92E00	..NUT	1	
23	37139-99E20	..PANEL	1	
24	03121-0516A	..SCREW	4	
25	38500-93J90	..BUZZER ASSY, WARNING	1	
26	09407-08401	..CLAMP (L:80)	1	

FIG.202



DF90A_E01_014_202
OPT:TILLER HANDLE

FIG.202 (2-J-3) OPT:TILLER HANDLE (DF70A E01)

REF NO.	PART NO.	DESCRIPTION	Q'TY	REMARKS
1	63002-87L11-OEP	KIT TILLER HANDLE (BLACK)	1	
2	21110-88L00	.LEVER, SHIFT	1	
3	23230-90J10	.CABLE, SHIFT	1	
4	36620-87L00	.WIRE ASSY, HARNESS	1	
5	37110-87L01	.SWITCH ASSY, IGNITION	1	
6-1	37141-99E00	..KEY (931)	1	
6-2	37141-99E10	..KEY (932)	1	
6-3	37141-99E20	..KEY (933)	1	
6-4	37141-99E30	..KEY (934)	1	
6-5	37141-99E40	..KEY (935)	1	
6-6	37141-99E50	..KEY (936)	1	
6-7	37141-99E60	..KEY (937)	1	
6-8	37141-99E70	..KEY (938)	1	
6-9	37141-99E80	..KEY (939)	1	
6-10	37141-99E90	..KEY (940)	1	
6-11	37141-99EA0	..KEY (941)	1	
6-12	37141-99EB0	..KEY (942)	1	
7	37143-99E00	..CAP, KEY	1	
8	37149-93J00	..CAP, CYLINDER BODY	1	
9	37820-87L00	.SWITCH ASSY, EMERGENCY	1	
10	37823-92E01	..PLATE, LOCK	1	
11	37826-92E00	..NUT	1	
12	38500-93J90	.BUZZER	1	
13	37850-87L00	.SWITCH ASSY, PTT	1	
14	37852-87J00	.PLATE, TRIM SWITCH	1	
15	63121-88L00	.COVER, UNDER	1	
16	63210-88L00	.GRIP, HANDLE	1	
17	63221-88L00	.SHAFT, THROTTLE	1	
18	63223-92D00	.STOPPER, HANDLE ROD	1	
19	63225-88L00	.BUSH, HANDLE ROD	1	
20	63227-93200	.PIN, HANDLE ROD	1	
21	63235-88L00	.PLATE, THROTTLE SHAFT	1	
22	63246-88L00	.STOPPER THROTTLE ADJ	1	
23	63250-88L00	.ARM ASSY, THROTTLE	1	

DF90A_E01_014

FIG.202

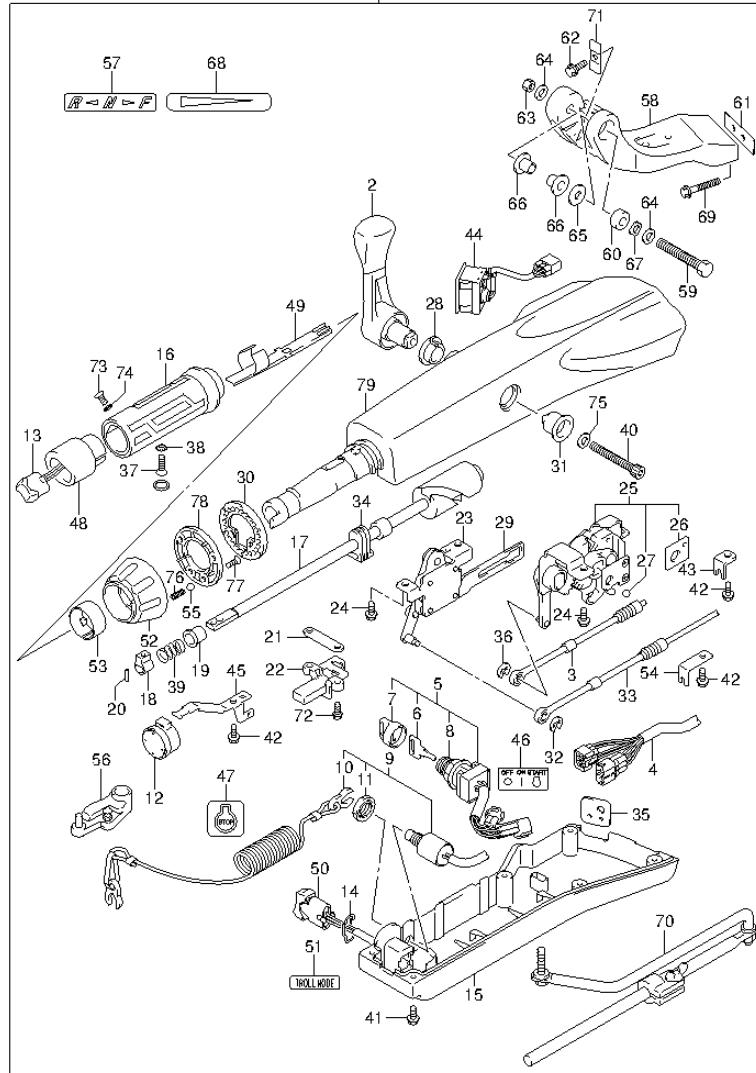


FIG.202 (2-J-4) OPT:TILLER HANDLE (DF70A E01)

REF NO.	PART NO.	DESCRIPTION	Q'TY	REMARKS
24	63251-87J00	.BOLT, SHIFT GEAR ASSY	4	
25	63260-88L00	.GEAR ASSY, SHIFT	1	
26	63272-87J00	..PLATE, BALL GUIDE	1	
27	63273-87J00	..BALL	1	
28	63262-87J00	.BUSH, SHIFT LEVER	1	
29	63271-87J00	.PLATE, LOCK	1	
30	63248-99J00	.PLATE, THROTTLE ADJ NOTCH	1	
31	63261-87J00	.BUSH, SHIFT GEAR	1	
32	63274-87J00	E RING	1	
33	63610-87J00	.CABLE, THROTTLE	1	
34	37853-88L90	.GROMMET, PTT SWITCH LEAD	1	
35	63626-88L00	.GROMMET, WIRE HARNESS	1	
36	67292-87J00	E RING	2	
37	09126-06015	.SCREW (6X23)	1	
38	09163-06001	.LOCK WASHER	1	
39	09440-12027	.SPRING	1	
40	21112-88L00	.BOLT SHIFT LEVER	1	
41	09125-05047	.SCREW (5X14)	6	
42	63611-88L00	.BOLT CLAMP BRACKET	3	
43	63612-87J00	.BRACKET, CLAMP	1	
44	34200-87L00	.TACHOMETER ASSY, WITH MONITOR	1	
45	36617-88L90	.CLAMP PLATE, MAIN HARNESS	1	
46	37112-88L90	.LABEL, IGNITION SWITCH	1	
47	37835-95D00	.LABEL, STOP	1	
48	37851-88L90	.BASE, PTT SWITCH	1	
49	37852-88L90	.HARNESS, GUIDE	1	
50	37861-87L10	.SWITCH, TROLLING CONTROL	1	
51	37864-88L90	.LABEL, TROLL MODE	1	
52	63244-99J00	.KNOB, THROTTLE ADJ	1	
53	63245-99J00	.BUSH, THROTTLE ADJ	1	
54	63612-88L10	.BRACKET, CLAMP SHIFT	1	
55	09260-10006	.BALL	1	
56	19120-87L10	.LEVER, THROTTLE	1	
57	21131-88L00	.MARK, CLUTCH SHIFT	1	

FIG.202

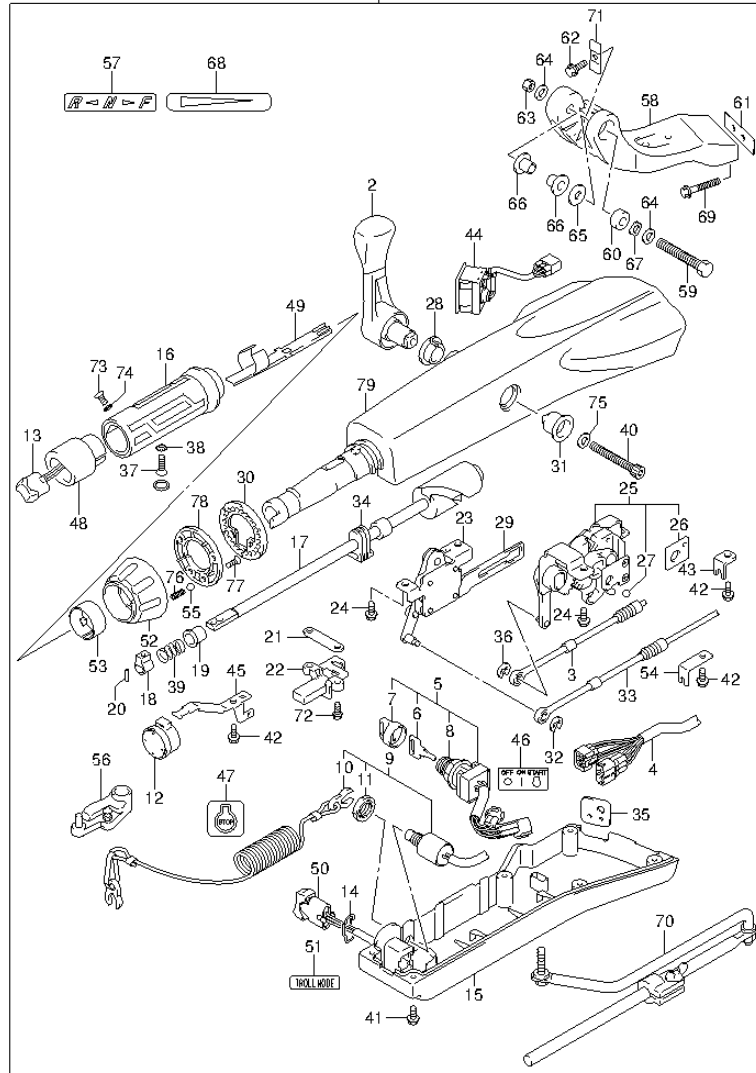


FIG.202 (2-J-5) OPT:TILLER HANDLE (DF70A E01)

REF NO.	PART NO.	DESCRIPTION	Q'TY	REMARKS
58	43761-88L01-OEP	.BRACKET, TILLER HANDLE (BLACK)	1	
59	43762-88L00	.BOLT TILLER HANDLE PIVOT	1	
60	43768-88L00	.SPACER, TILLER HANDLE	1	
61	43776-87L00	.SPACER, STRG BRKT	1	
62	09116-08137	.BOLT (8X22)	1	
63	09159-12014	.NUT	1	
64	09160-12066	.WASHER (12.5X22X2.5)	2	
65	09160-12124	.WASHER (12.5X32X1.5)	1	
66	63115-88L00	.BUSH, TILLER HANDLE	2	
67	09164-13010	.WAVE WASHER	1	
68	63215-93110	.MARK, HANDLE GRIP	1	
69	09116-10150	.BOLT (10X55)	2	
70	43770-99E03	.ADJUSTER ASSY, STEERING	1	
71	63132-88L00	.STOPPER, TILLER HANDLE	1	
72	63251-88L90	.BOLT	2	
73	37855-88L90	.SCREW, THROTTLE GRIP	1	
74	37854-88L90	.WASHER, THROTTLE GRIP	1	
75	63258-88L00	.WASHER	1	
76	09440-06037	.SPRING	1	
77	03522-05169	.SCREW	3	
78	63247-99J00	.PLATE, THROTTLE ADJ KNOB	1	
79	63111-88L00-OEP	.HOUSING, TILLER HANDLE	1	

FIG.203

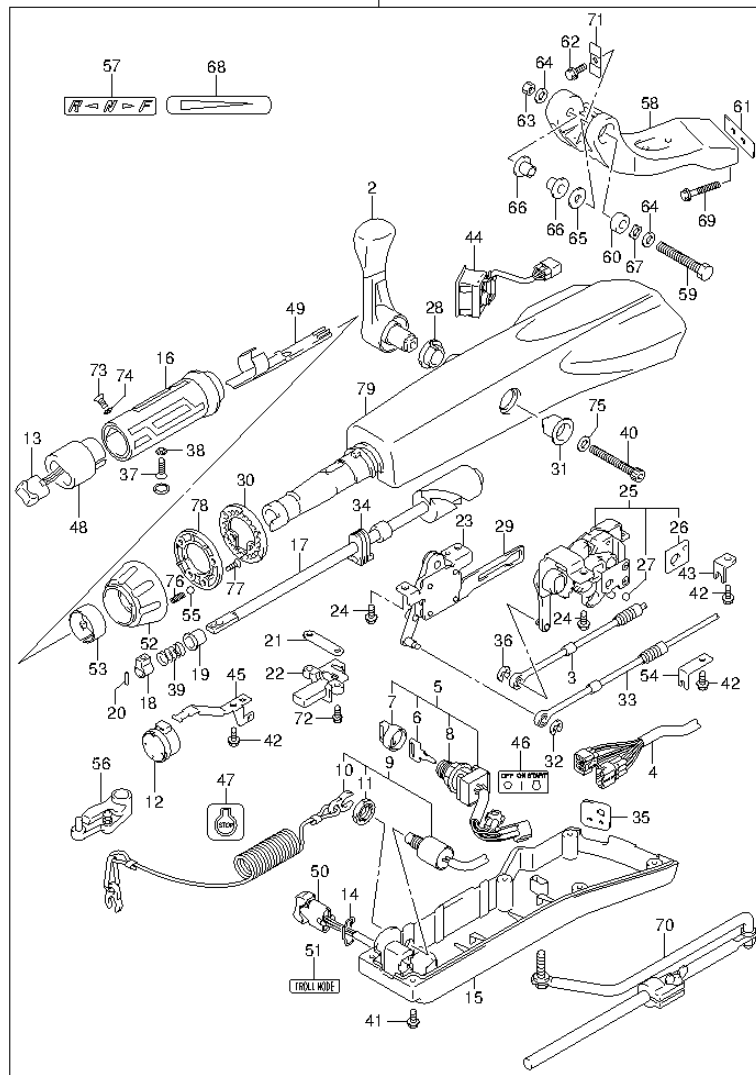


FIG.203 (2-J-6) OPT:TILLER HANDLE (DF70A E40)

REF NO.	PART NO.	DESCRIPTION	Q'TY	REMARKS
1	63002-87L11-OEP	KIT TILLER HANDLE (BLACK)	1	
2	21110-88L00	.LEVER, SHIFT	1	
3	23230-90J10	.CABLE, SHIFT	1	
4	36620-87L00	.WIRE ASSY, HARNESS	1	
5	37110-87L01	.SWITCH ASSY, IGNITION	1	
6-1	37141-99E00	..KEY (931)	1	
6-2	37141-99E10	..KEY (932)	1	
6-3	37141-99E20	..KEY (933)	1	
6-4	37141-99E30	..KEY (934)	1	
6-5	37141-99E40	..KEY (935)	1	
6-6	37141-99E50	..KEY (936)	1	
6-7	37141-99E60	..KEY (937)	1	
6-8	37141-99E70	..KEY (938)	1	
6-9	37141-99E80	..KEY (939)	1	
6-10	37141-99E90	..KEY (940)	1	
6-11	37141-99EA0	..KEY (941)	1	
6-12	37141-99EB0	..KEY (942)	1	
7	37143-99E00	..CAP, KEY	1	
8	37149-93J00	..CAP, CYLINDER BODY	1	
9	37820-87L00	.SWITCH ASSY, EMERGENCY	1	
10	37823-92E01	..PLATE, LOCK	1	
11	37826-92E00	..NUT	1	
12	38500-93J90	.BUZZER	1	
13	37850-87L00	.SWITCH ASSY, PTT	1	
14	37852-87J00	.PLATE, TRIM SWITCH	1	
15	63121-88L00	.COVER, UNDER	1	
16	63210-88L00	.GRIP, HANDLE	1	
17	63221-88L00	.SHAFT, THROTTLE	1	
18	63223-92D00	.STOPPER, HANDLE ROD	1	
19	63225-88L00	.BUSH, HANDLE ROD	1	
20	63227-93200	.PIN, HANDLE ROD	1	
21	63235-88L00	.PLATE, THROTTLE SHAFT	1	
22	63246-88L00	.STOPPER THROTTLE ADJ	1	
23	63250-88L00	.ARM ASSY, THROTTLE	1	

FIG.203

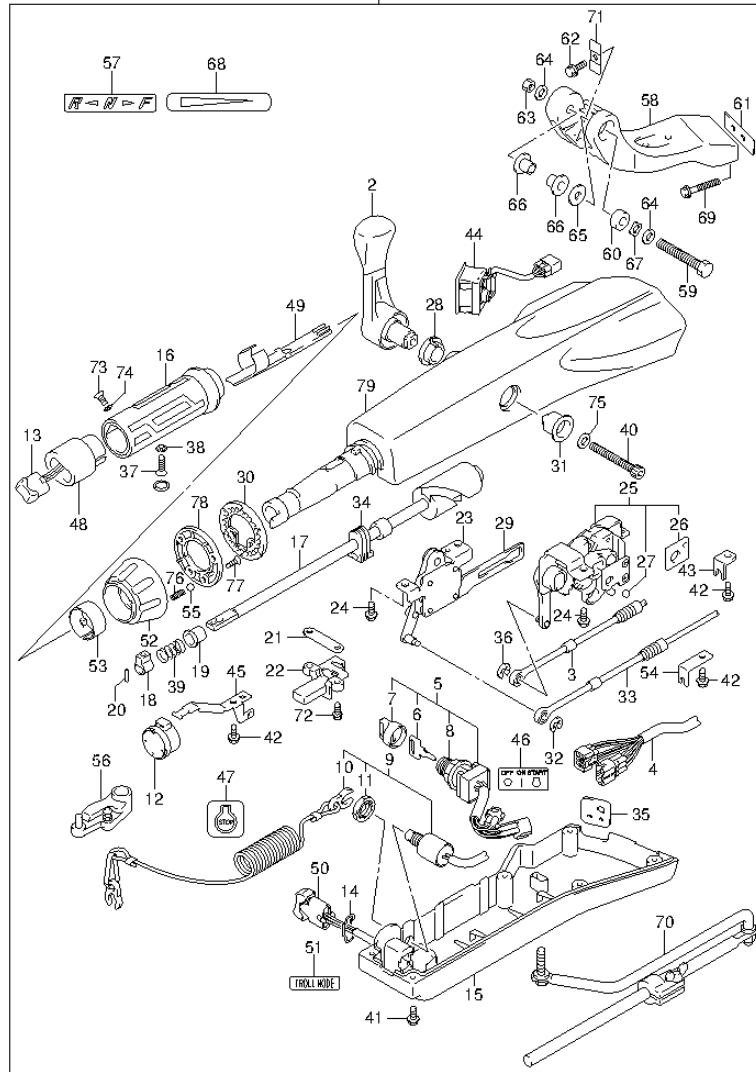


FIG.203 (2-J-7) OPT:TILLER HANDLE (DF70A E40)

REF NO.	PART NO.	DESCRIPTION	Q'TY	REMARKS
24	63251-87J00	.BOLT, SHIFT GEAR ASSY	4	
25	63260-88L00	.GEAR ASSY, SHIFT	1	
26	63272-87J00	..PLATE, BALL GUIDE	1	
27	63273-87J00	..BALL	1	
28	63262-87J00	.BUSH, SHIFT LEVER	1	
29	63271-87J00	.PLATE, LOCK	1	
30	63248-99J00	.PLATE, THROTTLE ADJ NOTCH	1	
31	63261-87J00	.BUSH, SHIFT GEAR	1	
32	63274-87J00	E RING	1	
33	63610-87J00	.CABLE, THROTTLE	1	
34	37853-88L90	.GROMMET, PTT SWITCH LEAD	1	
35	63626-88L00	.GROMMET, WIRE HARNESS	1	
36	67292-87J00	E RING	2	
37	09126-06015	.SCREW (6X23)	1	
38	09163-06001	.LOCK WASHER	1	
39	09440-12027	.SPRING	1	
40	21112-88L00	.BOLT SHIFT LEVER	1	
41	09125-05047	.SCREW (5X14)	6	
42	63611-88L00	.BOLT CLAMP BRACKET	3	
43	63612-87J00	.BRACKET, CLAMP	1	
44	34200-87L00	.TACHOMETER ASSY, WITH MONITOR	1	
45	36617-88L90	.CLAMP PLATE, MAIN HARNESS	1	
46	37112-88L90	.LABEL, IGNITION SWITCH	1	
47	37835-95D00	.LABEL, STOP	1	
48	37851-88L90	.BASE, PTT SWITCH	1	
49	37852-88L90	.HARNESS, GUIDE	1	
50	37861-87L10	.SWITCH, TROLLING CONTROL	1	
51	37864-88L90	.LABEL, TROLL MODE	1	
52	63244-99J00	.KNOB, THROTTLE ADJ	1	
53	63245-99J00	.BUSH, THROTTLE ADJ	1	
54	63612-88L10	.BRACKET, CLAMP SHIFT	1	
55	09260-10006	.BALL	1	
56	19120-87L10	.LEVER, THROTTLE	1	
57	21131-88L00	.MARK, CLUTCH SHIFT	1	

FIG.203

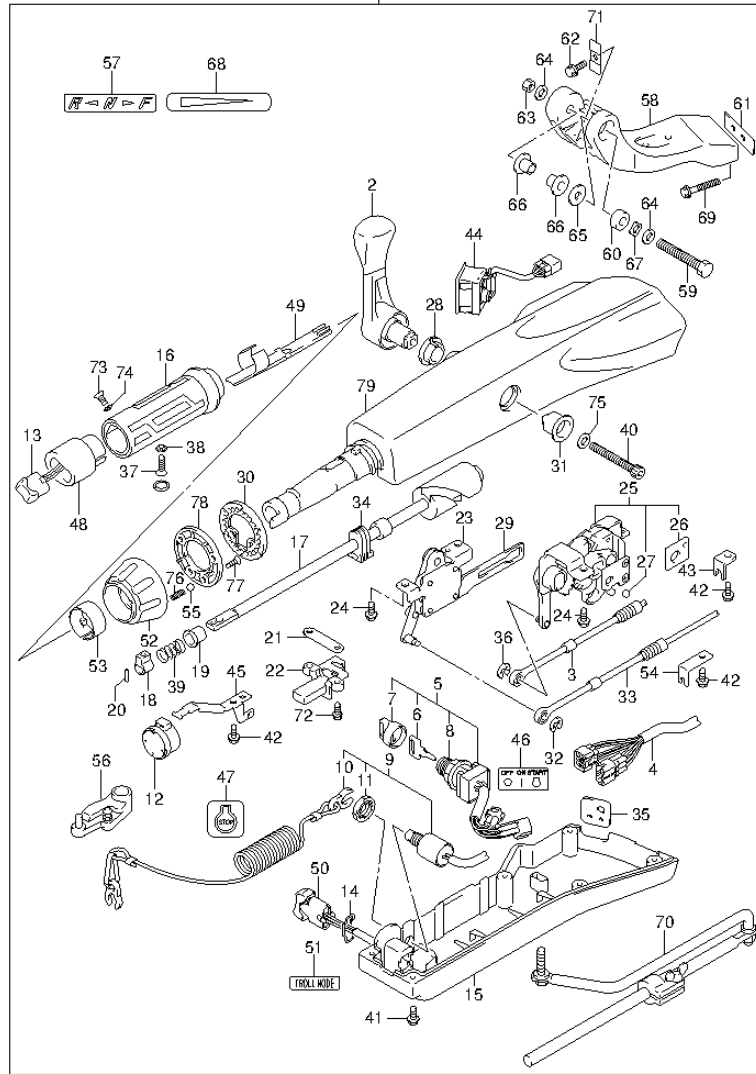


FIG.203 (2-J-8) OPT:TILLER HANDLE (DF70A E40)

REF NO.	PART NO.	DESCRIPTION	Q'TY	REMARKS
58	43761-88L01-0EP	.BRACKET, TILLER HANDLE (BLACK)	1	
59	43762-88L00	.BOLT TILLER HANDLE PIVOT	1	
60	43768-88L00	.SPACER, TILLER HANDLE	1	
61	43776-87L00	.SPACER, STRG BRKLT	1	
62	09116-08137	.BOLT (8X22)	1	
63	09159-12014	.NUT	1	
64	09160-12066	.WASHER (12.5X22X2.5)	2	
65	09160-12124	.WASHER (12.5X32X1.5)	1	
66	63115-88L00	.BUSH, TILLER HANDLE	2	
67	09164-13010	.WAVE WASHER	1	
68	63215-93110	.MARK, HANDLE GRIP	1	
69	09116-10150	.BOLT (10X55)	2	
70	43770-99E03	.ADJUSTER ASSY, STEERING	1	
71	63132-88L00	.STOPPER, TILLER HANDLE	1	
72	63251-88L90	.BOLT	2	
73	37855-88L90	.SCREW, THROTTLE GRIP	1	
74	37854-88L90	.WASHER, THROTTLE GRIP	1	
75	63258-88L00	.WASHER	1	
76	09440-06037	.SPRING	1	
77	03522-05169	.SCREW	3	
78	63247-99J00	.PLATE, THROTTLE ADJ KNOB	1	
79	63111-88L00-0EP	.HOUSING, TILLER HANDLE	1	

FIG.204

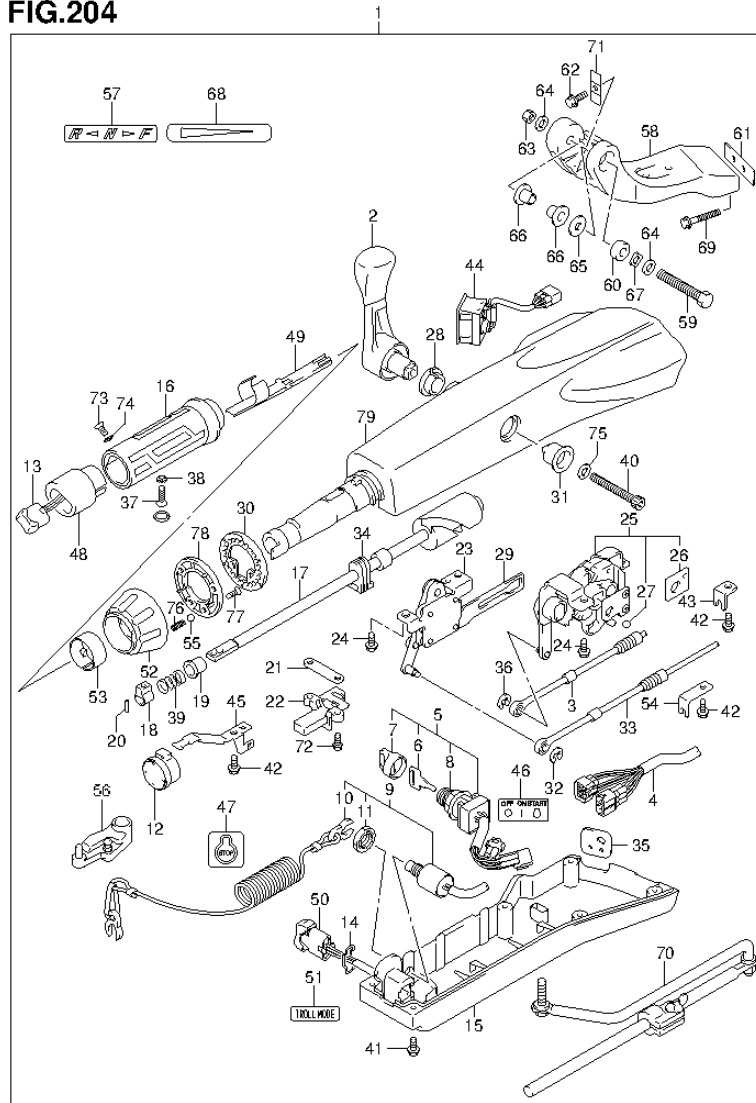


FIG.204 (2-J-9) OPT:TILLER HANDLE (DF80A E01)

REF NO.	PART NO.	DESCRIPTION	Q'TY	REMARKS
1	63002-87L11-OEP	KIT TILLER HANDLE (BLACK)	1	
2	21110-88L00	.LEVER, SHIFT	1	
3	23230-90J10	.CABLE, SHIFT	1	
4	36620-87L00	.WIRE ASSY, HARNESS	1	
5	37110-87L01	.SWITCH ASSY, IGNITION	1	
6-1	37141-99E00	..KEY (931)	1	
6-2	37141-99E10	..KEY (932)	1	
6-3	37141-99E20	..KEY (933)	1	
6-4	37141-99E30	..KEY (934)	1	
6-5	37141-99E40	..KEY (935)	1	
6-6	37141-99E50	..KEY (936)	1	
6-7	37141-99E60	..KEY (937)	1	
6-8	37141-99E70	..KEY (938)	1	
6-9	37141-99E80	..KEY (939)	1	
6-10	37141-99E90	..KEY (940)	1	
6-11	37141-99EA0	..KEY (941)	1	
6-12	37141-99EB0	..KEY (942)	1	
7	37143-99E00	..CAP, KEY	1	
8	37149-93J00	..CAP, CYLINDER BODY	1	
9	37820-87L00	.SWITCH ASSY, EMERGENCY	1	
10	37823-92E01	..PLATE, LOCK	1	
11	37826-92E00	..NUT	1	
12	38500-93J90	.BUZZER	1	
13	37850-87L00	.SWITCH ASSY, PTT	1	
14	37852-87J00	.PLATE, TRIM SWITCH	1	
15	63121-88L00	.COVER, UNDER	1	
16	63210-88L00	.GRIP, HANDLE	1	
17	63221-88L00	.SHAFT, THROTTLE	1	
18	63223-92D00	.STOPPER, HANDLE ROD	1	
19	63225-88L00	.BUSH, HANDLE ROD	1	
20	63227-93200	.PIN, HANDLE ROD	1	
21	63235-88L00	.PLATE, THROTTLE SHAFT	1	
22	63246-88L00	.STOPPER THROTTLE ADJ	1	
23	63250-88L00	.ARM ASSY, THROTTLE	1	

FIG.204

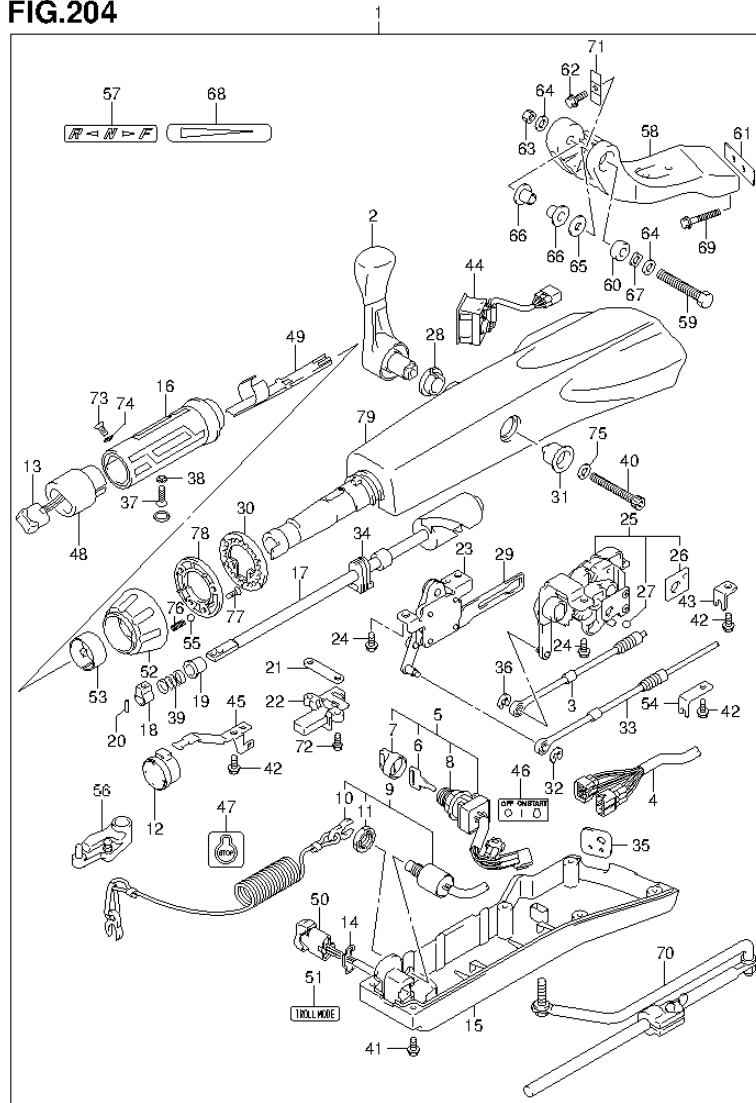


FIG.204 (2-J-10) OPT:TILLER HANDLE (DF80A E01)

REF NO.	PART NO.	DESCRIPTION	Q'TY	REMARKS
24	63251-87J00	.BOLT, SHIFT GEAR ASSY	4	
25	63260-88L00	.GEAR ASSY, SHIFT	1	
26	63272-87J00	..PLATE, BALL GUIDE	1	
27	63273-87J00	..BALL	1	
28	63262-87J00	.BUSH, SHIFT LEVER	1	
29	63271-87J00	.PLATE, LOCK	1	
30	63248-99J00	.PLATE, THROTTLE ADJ NOTCH	1	
31	63261-87J00	.BUSH, SHIFT GEAR	1	
32	63274-87J00	E RING	1	
33	63610-87J00	.CABLE, THROTTLE	1	
34	37853-88L90	.GROMMET, PTT SWITCH LEAD	1	
35	63626-88L00	.GROMMET, WIRE HARNESS	1	
36	67292-87J00	E RING	2	
37	09126-06015	.SCREW (6X23)	1	
38	09163-06001	.LOCK WASHER	1	
39	09440-12027	.SPRING	1	
40	21112-88L00	.BOLT SHIFT LEVER	1	
41	09125-05047	.SCREW (5X14)	6	
42	63611-88L00	.BOLT CLAMP BRACKET	3	
43	63612-87J00	.BRACKET, CLAMP	1	
44	34200-87L00	.TACHOMETER ASSY, WITH MONITOR	1	
45	36617-88L90	.CLAMP PLATE, MAIN HARNESS	1	
46	37112-88L90	.LABEL, IGNITION SWITCH	1	
47	37835-95D00	.LABEL, STOP	1	
48	37851-88L90	.BASE, PTT SWITCH	1	
49	37852-88L90	.HARNESS, GUIDE	1	
50	37861-87L10	.SWITCH, TROLLING CONTROL	1	
51	37864-88L90	.LABEL, TROLL MODE	1	
52	63244-99J00	.KNOB, THROTTLE ADJ	1	
53	63245-99J00	.BUSH, THROTTLE ADJ	1	
54	63612-88L10	.BRACKET, CLAMP SHIFT	1	
55	09260-10006	.BALL	1	
56	19120-87L10	.LEVER, THROTTLE	1	
57	21131-88L00	.MARK, CLUTCH SHIFT	1	

FIG.204

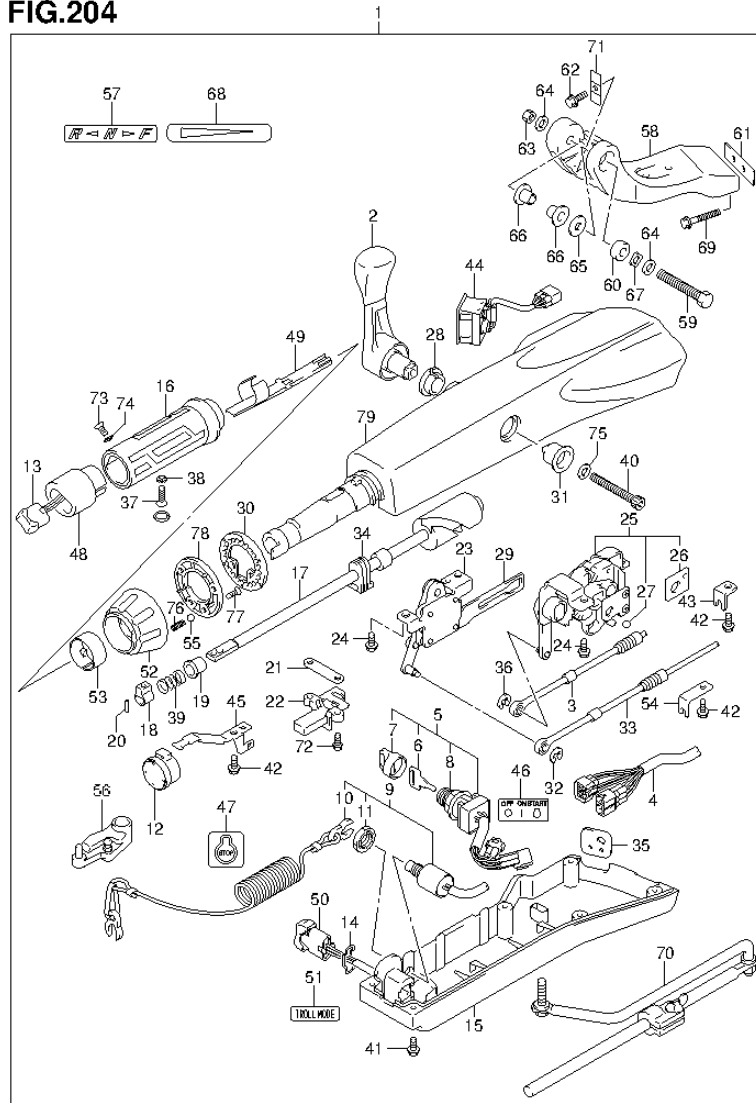


FIG.204 (2-J-11) OPT:TILLER HANDLE (DF80A E01)

REF NO.	PART NO.	DESCRIPTION	Q'TY	REMARKS
58	43761-88L01-OEP	.BRACKET, TILLER HANDLE (BLACK)	1	
59	43762-88L00	.BOLT TILLER HANDLE PIVOT	1	
60	43768-88L00	.SPACER, TILLER HANDLE	1	
61	43776-87L00	.SPACER, STRG BRKLT	1	
62	09116-08137	.BOLT (8X22)	1	
63	09159-12014	.NUT	1	
64	09160-12066	.WASHER (12.5X22X2.5)	2	
65	09160-12124	.WASHER (12.5X32X1.5)	1	
66	63115-88L00	.BUSH, TILLER HANDLE	2	
67	09164-13010	.WAVE WASHER	1	
68	63215-93110	.MARK, HANDLE GRIP	1	
69	09116-10150	.BOLT (10X55)	2	
70	43770-99E03	.ADJUSTER ASSY, STEERING	1	
71	63132-88L00	.STOPPER, TILLER HANDLE	1	
72	63251-88L90	.BOLT	2	
73	37855-88L90	.SCREW, THROTTLE GRIP	1	
74	37854-88L90	.WASHER, THROTTLE GRIP	1	
75	63258-88L00	.WASHER	1	
76	09440-06037	.SPRING	1	
77	03522-05169	.SCREW	3	
78	63247-99J00	.PLATE, THROTTLE ADJ KNOB	1	
79	63111-88L00-OEP	.HOUSING, TILLER HANDLE	1	

FIG.205

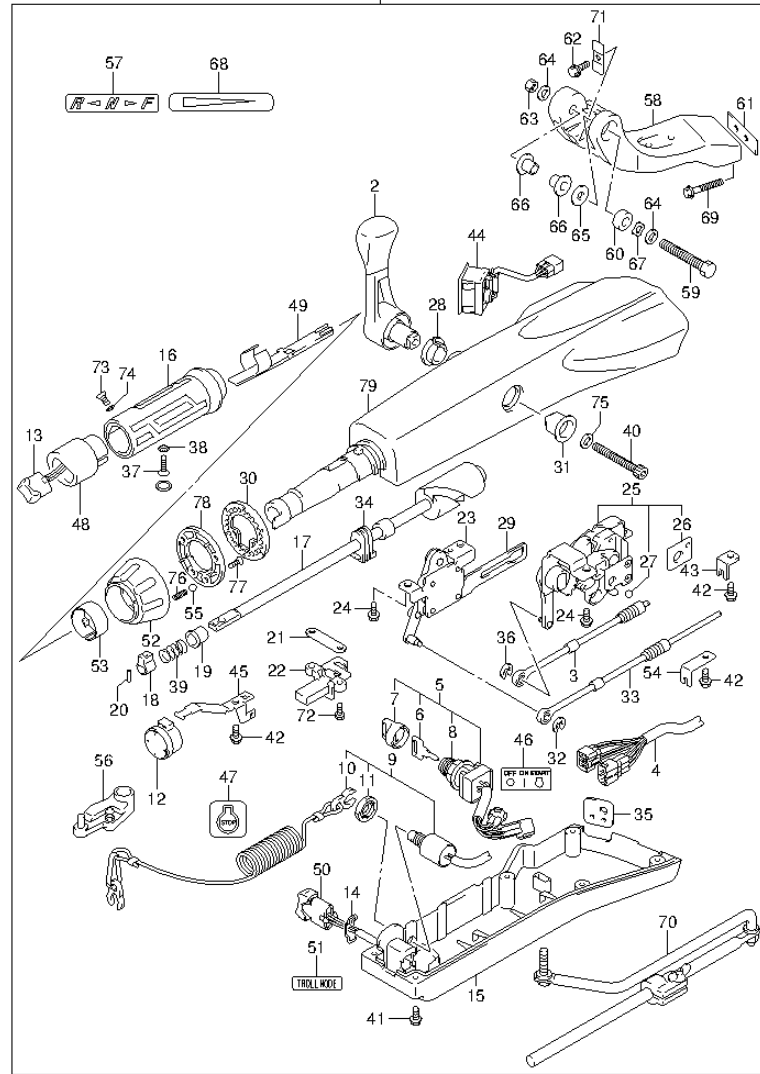


FIG.205 (2-J-12) OPT:TILLER HANDLE (DF80A E40)

REF NO.	PART NO.	DESCRIPTION	Q'TY	REMARKS
1	63002-87L11-OEP	KIT TILLER HANDLE (BLACK)	1	
2	21110-88L00	.LEVER, SHIFT	1	
3	23230-90J10	.CABLE, SHIFT	1	
4	36620-87L00	.WIRE ASSY, HARNESS	1	
5	37110-87L01	.SWITCH ASSY, IGNITION	1	
6-1	37141-99E00	..KEY (931)	1	
6-2	37141-99E10	..KEY (932)	1	
6-3	37141-99E20	..KEY (933)	1	
6-4	37141-99E30	..KEY (934)	1	
6-5	37141-99E40	..KEY (935)	1	
6-6	37141-99E50	..KEY (936)	1	
6-7	37141-99E60	..KEY (937)	1	
6-8	37141-99E70	..KEY (938)	1	
6-9	37141-99E80	..KEY (939)	1	
6-10	37141-99E90	..KEY (940)	1	
6-11	37141-99EA0	..KEY (941)	1	
6-12	37141-99EB0	..KEY (942)	1	
7	37143-99E00	..CAP, KEY	1	
8	37149-93J00	..CAP, CYLINDER BODY	1	
9	37820-87L00	.SWITCH ASSY, EMERGENCY	1	
10	37823-92E01	..PLATE, LOCK	1	
11	37826-92E00	..NUT	1	
12	38500-93J90	.BUZZER	1	
13	37850-87L00	.SWITCH ASSY, PTT	1	
14	37852-87J00	.PLATE, TRIM SWITCH	1	
15	63121-88L00	.COVER, UNDER	1	
16	63210-88L00	.GRIP, HANDLE	1	
17	63221-88L00	.SHAFT, THROTTLE	1	
18	63223-92D00	.STOPPER, HANDLE ROD	1	
19	63225-88L00	.BUSH, HANDLE ROD	1	
20	63227-93200	.PIN, HANDLE ROD	1	
21	63235-88L00	.PLATE, THROTTLE SHAFT	1	
22	63246-88L00	.STOPPER THROTTLE ADJ	1	
23	63250-88L00	.ARM ASSY, THROTTLE	1	

FIG.205

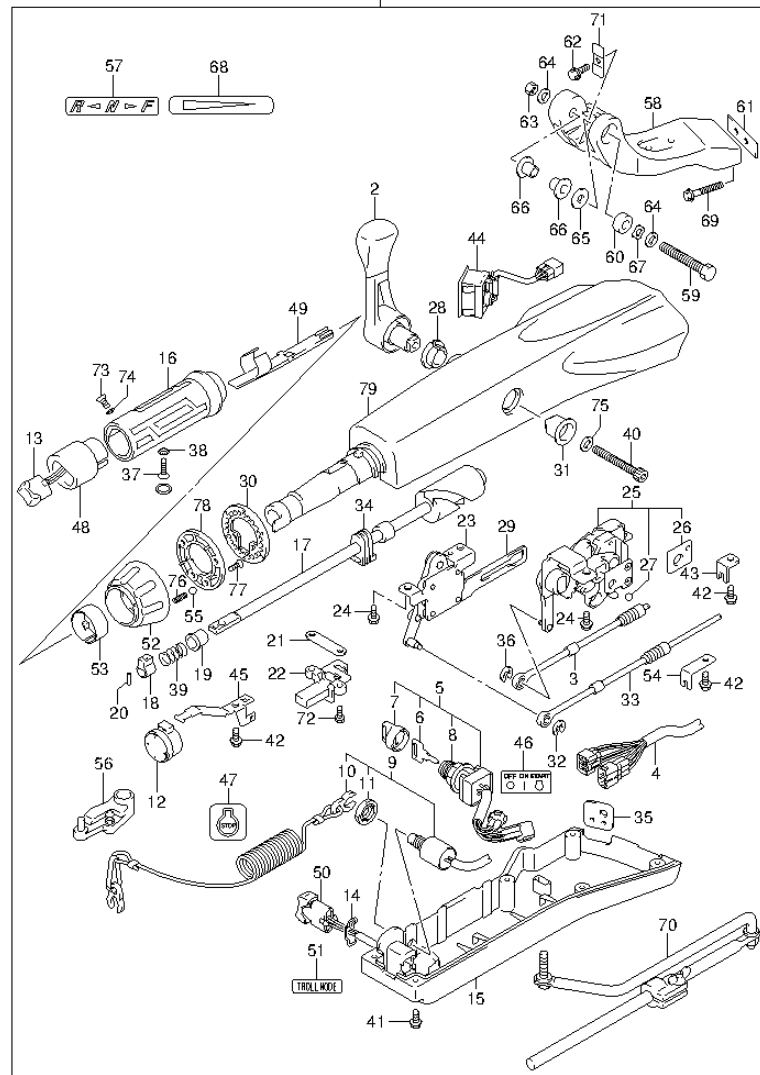


FIG.205 (2-J-13) OPT:TILLER HANDLE (DF80A E40)

REF NO.	PART NO.	DESCRIPTION	Q'TY	REMARKS
24	63251-87J00	.BOLT, SHIFT GEAR ASSY	4	
25	63260-88L00	.GEAR ASSY, SHIFT	1	
26	63272-87J00	..PLATE, BALL GUIDE	1	
27	63273-87J00	..BALL	1	
28	63262-87J00	.BUSH, SHIFT LEVER	1	
29	63271-87J00	.PLATE, LOCK	1	
30	63248-99J00	.PLATE, THROTTLE ADJ NOTCH	1	
31	63261-87J00	.BUSH, SHIFT GEAR	1	
32	63274-87J00	E RING	1	
33	63610-87J00	.CABLE, THROTTLE	1	
34	37853-88L90	.GROMMET, PTT SWITCH LEAD	1	
35	63626-88L00	.GROMMET, WIRE HARNESS	1	
36	67292-87J00	E RING	2	
37	09126-06015	.SCREW (6X23)	1	
38	09163-06001	.LOCK WASHER	1	
39	09440-12027	.SPRING	1	
40	21112-88L00	.BOLT SHIFT LEVER	1	
41	09125-05047	.SCREW (5X14)	6	
42	63611-88L00	.BOLT CLAMP BRACKET	3	
43	63612-87J00	.BRACKET, CLAMP	1	
44	34200-87L00	.TACHOMETER ASSY, WITH MONITOR	1	
45	36617-88L90	.CLAMP PLATE, MAIN HARNESS	1	
46	37112-88L90	.LABEL, IGNITION SWITCH	1	
47	37835-95D00	.LABEL, STOP	1	
48	37851-88L90	.BASE, PTT SWITCH	1	
49	37852-88L90	.HARNESS, GUIDE	1	
50	37861-87L10	.SWITCH, TROLLING CONTROL	1	
51	37864-88L90	.LABEL, TROLL MODE	1	
52	63244-99J00	.KNOB, THROTTLE ADJ	1	
53	63245-99J00	.BUSH, THROTTLE ADJ	1	
54	63612-88L10	.BRACKET, CLAMP SHIFT	1	
55	09260-10006	.BALL	1	
56	19120-87L10	.LEVER, THROTTLE	1	
57	21131-88L00	.MARK, CLUTCH SHIFT	1	

FIG.205

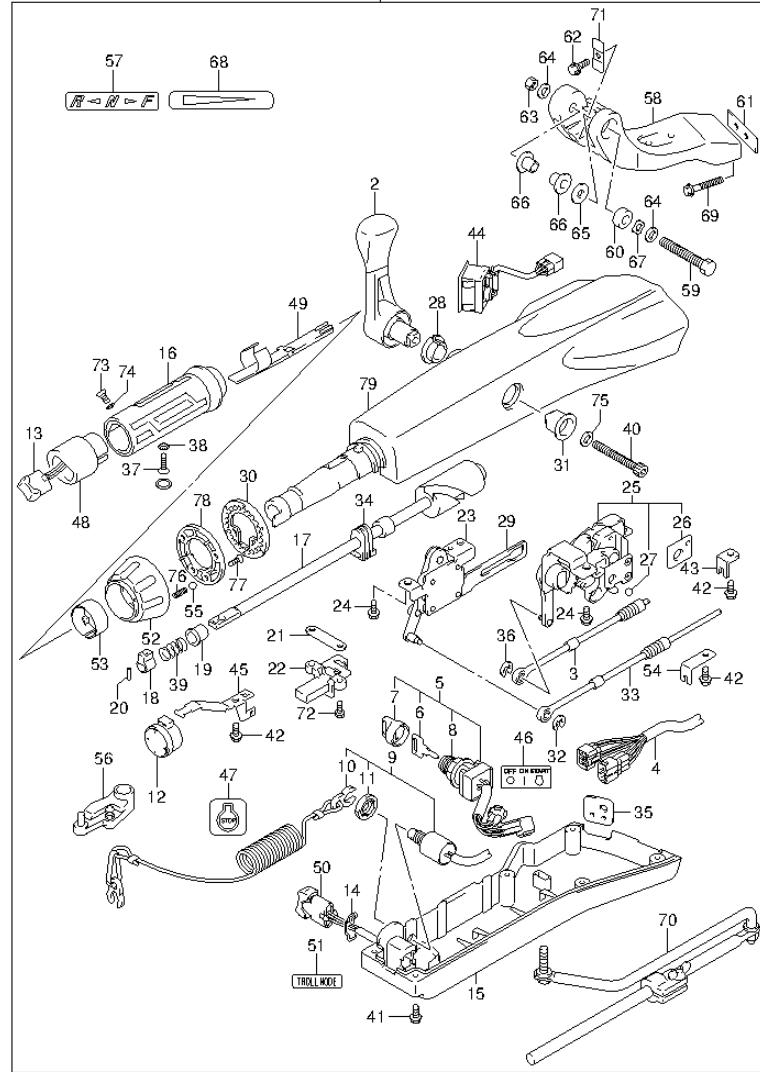


FIG.205 (2-J-14) OPT:TILLER HANDLE (DF80A E40)

REF NO.	PART NO.	DESCRIPTION	Q'TY	REMARKS
58	43761-88L01-OEP	.BRACKET, TILLER HANDLE (BLACK)	1	
59	43762-88L00	.BOLT TILLER HANDLE PIVOT	1	
60	43768-88L00	.SPACER, TILLER HANDLE	1	
61	43776-87L00	.SPACER, STRG BRKT	1	
62	09116-08137	.BOLT (8X22)	1	
63	09159-12014	.NUT	1	
64	09160-12066	.WASHER (12.5X22X2.5)	2	
65	09160-12124	.WASHER (12.5X32X1.5)	1	
66	63115-88L00	.BUSH, TILLER HANDLE	2	
67	09164-13010	.WAVE WASHER	1	
68	63215-93110	.MARK, HANDLE GRIP	1	
69	09116-10150	.BOLT (10X55)	2	
70	43770-99E03	.ADJUSTER ASSY, STEERING	1	
71	63132-88L00	.STOPPER, TILLER HANDLE	1	
72	63251-88L90	.BOLT	2	
73	37855-88L90	.SCREW, THROTTLE GRIP	1	
74	37854-88L90	.WASHER, THROTTLE GRIP	1	
75	63258-88L00	.WASHER	1	
76	09440-06037	.SPRING	1	
77	03522-05169	.SCREW	3	
78	63247-99J00	.PLATE, THROTTLE ADJ KNOB	1	
79	63111-88L00-OEP	.HOUSING, TILLER HANDLE	1	

FIG.206

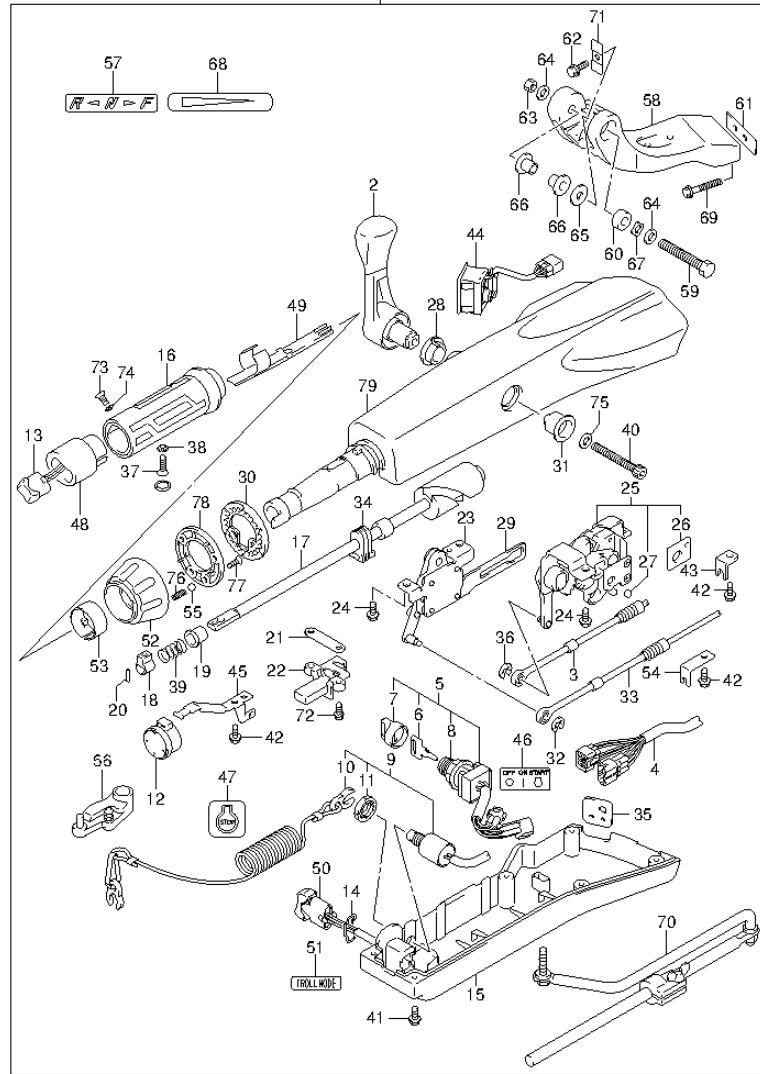
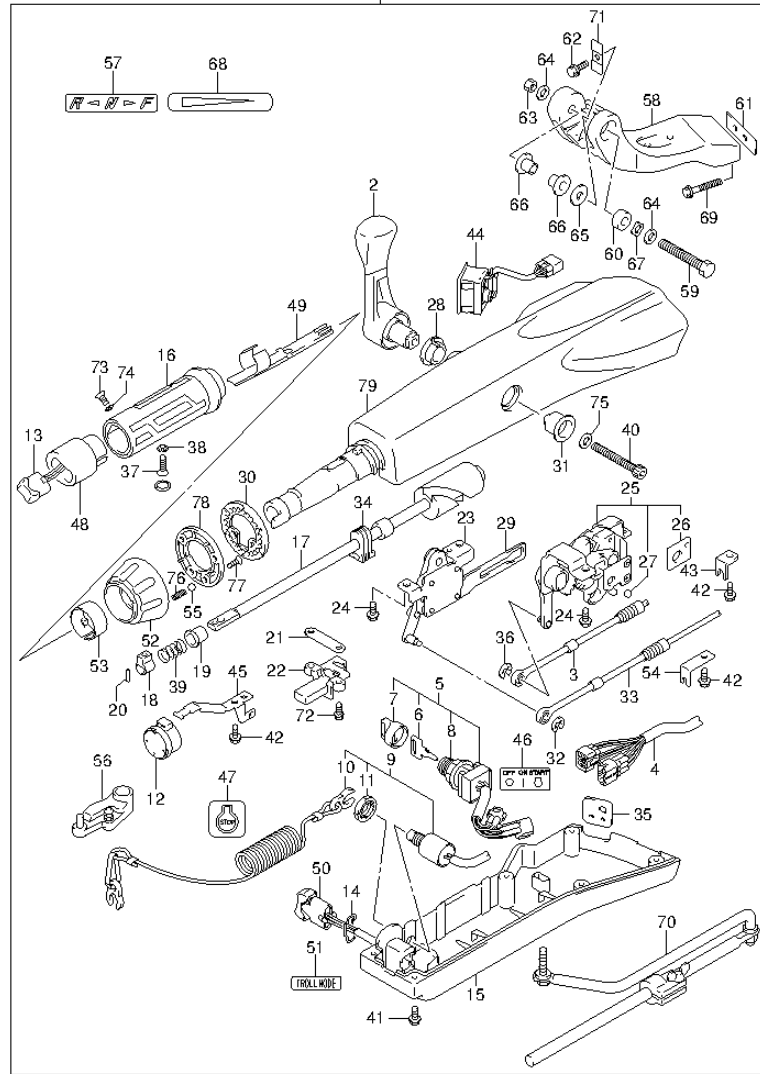


FIG.206 (2-J-15) OPT:TILLER HANDLE (DF90A E01)

REF NO.	PART NO.	DESCRIPTION	Q'TY	REMARKS
1	63002-87L11-OEP	KIT TILLER HANDLE (BLACK)	1	
2	21110-88L00	..LEVER, SHIFT	1	
3	23230-90J10	..CABLE, SHIFT	1	
4	36620-87L00	..WIRE ASSY, HARNESS	1	
5	37110-87L01	..SWITCH ASSY, IGNITION	1	
6-1	37141-99E00	..KEY (931)	1	
6-2	37141-99E10	..KEY (932)	1	
6-3	37141-99E20	..KEY (933)	1	
6-4	37141-99E30	..KEY (934)	1	
6-5	37141-99E40	..KEY (935)	1	
6-6	37141-99E50	..KEY (936)	1	
6-7	37141-99E60	..KEY (937)	1	
6-8	37141-99E70	..KEY (938)	1	
6-9	37141-99E80	..KEY (939)	1	
6-10	37141-99E90	..KEY (940)	1	
6-11	37141-99EA0	..KEY (941)	1	
6-12	37141-99EB0	..KEY (942)	1	
7	37143-99E00	..CAP, KEY	1	
8	37149-93J00	..CAP, CYLINDER BODY	1	
9	37820-87L00	..SWITCH ASSY, EMERGENCY	1	
10	37823-92E01	..PLATE, LOCK	1	
11	37826-92E00	..NUT	1	
12	38500-93J90	..BUZZER	1	
13	37850-87L00	..SWITCH ASSY, PTT	1	
14	37852-87J00	..PLATE, TRIM SWITCH	1	
15	63121-88L00	..COVER, UNDER	1	
16	63210-88L00	..GRIP, HANDLE	1	
17	63221-88L00	..SHAFT, THROTTLE	1	
18	63223-92D00	..STOPPER, HANDLE ROD	1	
19	63225-88L00	..BUSH, HANDLE ROD	1	
20	63227-93200	..PIN, HANDLE ROD	1	
21	63235-88L00	..PLATE, THROTTLE SHAFT	1	
22	63246-88L00	..STOPPER THROTTLE ADJ	1	
23	63250-88L00	..ARM ASSY, THROTTLE	1	

FIG.206



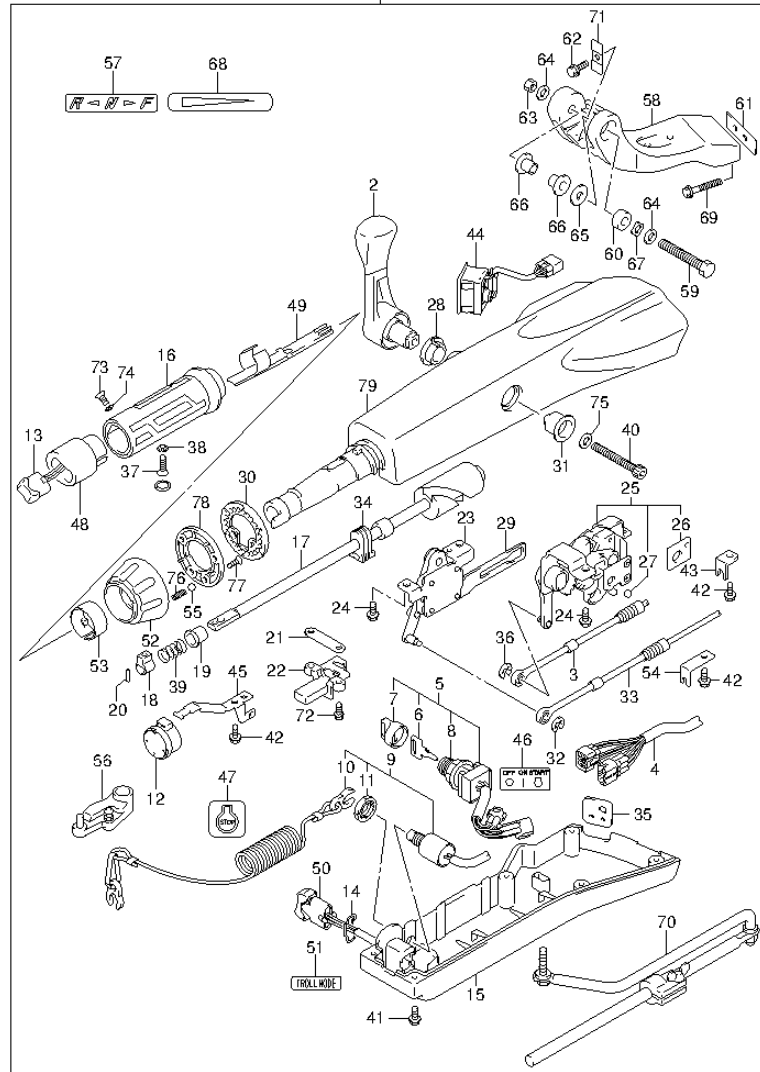
DF90A_E01_014_206
OPT:TILLER HANDLE

FIG.206 (2-K-2) OPT:TILLER HANDLE (DF90A E01)

REF NO.	PART NO.	DESCRIPTION	Q'TY	REMARKS
24	63251-87J00	.BOLT, SHIFT GEAR ASSY	4	
25	63260-88L00	.GEAR ASSY, SHIFT	1	
26	63272-87J00	..PLATE, BALL GUIDE	1	
27	63273-87J00	..BALL	1	
28	63262-87J00	.BUSH, SHIFT LEVER	1	
29	63271-87J00	.PLATE, LOCK	1	
30	63248-99J00	.PLATE, THROTTLE ADJ NOTCH	1	
31	63261-87J00	.BUSH, SHIFT GEAR	1	
32	63274-87J00	.E RING	1	
33	63610-87J00	.CABLE, THROTTLE	1	
34	37853-88L90	.GROMMET, PTT SWITCH LEAD	1	
35	63626-88L00	.GROMMET, WIRE HARNESS	1	
36	67292-87J00	.E RING	2	
37	09126-06015	.SCREW (6X23)	1	
38	09163-06001	.LOCK WASHER	1	
39	09440-12027	.SPRING	1	
40	21112-88L00	.BOLT SHIFT LEVER	1	
41	09125-05047	.SCREW (5X14)	6	
42	63611-88L00	.BOLT CLAMP BRACKET	3	
43	63612-87J00	.BRACKET, CLAMP	1	
44	34200-87L00	.TACHOMETER ASSY, WITH MONITOR	1	
45	36617-88L90	.CLAMP PLATE, MAIN HARNESS	1	
46	37112-88L90	.LABEL, IGNITION SWITCH	1	
47	37835-95D00	.LABEL, STOP	1	
48	37851-88L90	.BASE, PTT SWITCH	1	
49	37852-88L90	.HARNESS, GUIDE	1	
50	37861-87L10	.SWITCH, TROLLING CONTROL	1	
51	37864-88L90	.LABEL, TROLL MODE	1	
52	63244-99J00	.KNOB, THROTTLE ADJ	1	
53	63245-99J00	.BUSH, THROTTLE ADJ	1	
54	63612-88L10	.BRACKET, CLAMP SHIFT	1	
55	09260-10006	.BALL	1	
56	19120-87L10	.LEVER, THROTTLE	1	
57	21131-88L00	.MARK, CLUTCH SHIFT	1	

DF90A_E01_014

FIG.206



DF90A_E01_014_206
OPT:TILLER HANDLE

FIG.206 (2-K-3) OPT:TILLER HANDLE (DF90A E01)

REF NO.	PART NO.	DESCRIPTION	Q'TY	REMARKS
58	43761-88L01-OEP	.BRACKET, TILLER HANDLE (BLACK)	1	
59	43762-88L00	.BOLT TILLER HANDLE PIVOT	1	
60	43768-88L00	.SPACER, TILLER HANDLE	1	
61	43776-87L00	.SPACER, STRG BRKT	1	
62	09116-08137	.BOLT (8X22)	1	
63	09159-12014	.NUT	1	
64	09160-12066	.WASHER (12.5X22X2.5)	2	
65	09160-12124	.WASHER (12.5X32X1.5)	1	
66	63115-88L00	.BUSH, TILLER HANDLE	2	
67	09164-13010	.WAVE WASHER	1	
68	63215-93110	.MARK, HANDLE GRIP	1	
69	09116-10150	.BOLT (10X55)	2	
70	43770-99E03	.ADJUSTER ASSY, STEERING	1	
71	63132-88L00	.STOPPER, TILLER HANDLE	1	
72	63251-88L90	.BOLT	2	
73	37855-88L90	.SCREW, THROTTLE GRIP	1	
74	37854-88L90	.WASHER, THROTTLE GRIP	1	
75	63258-88L00	.WASHER	1	
76	09440-06037	.SPRING	1	
77	03522-05169	.SCREW	3	
78	63247-99J00	.PLATE, THROTTLE ADJ KNOB	1	
79	63111-88L00-OEP	.HOUSING, TILLER HANDLE	1	

DF90A_E01_014

FIG.207

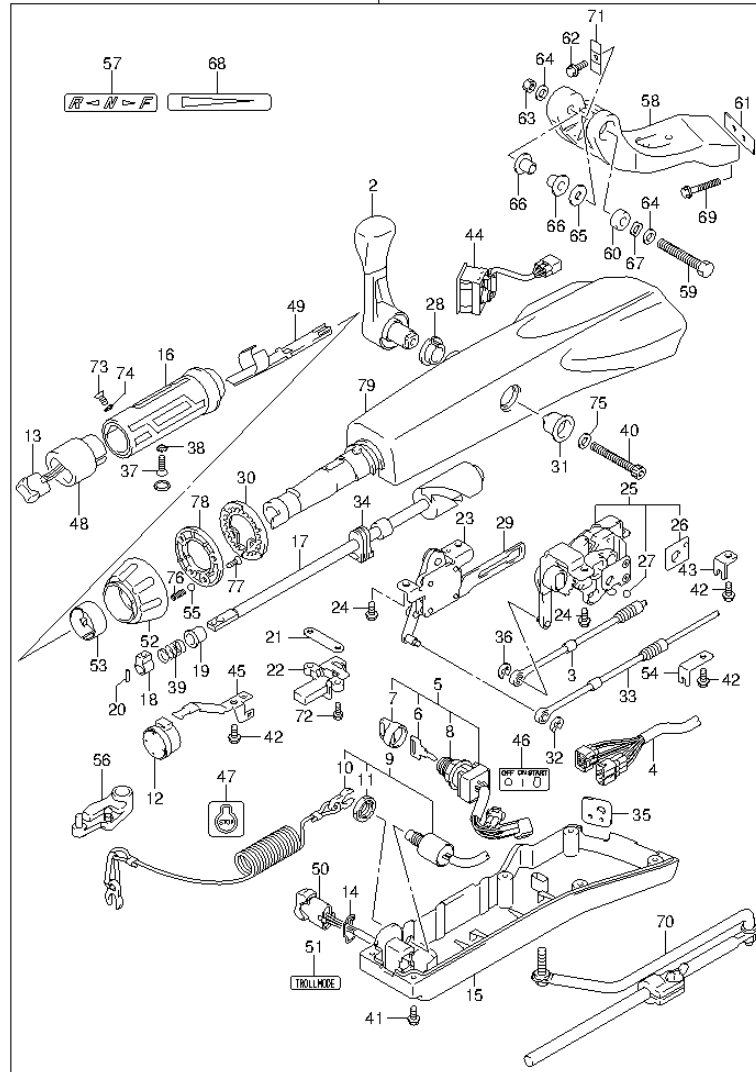


FIG.207 (2-K-4) OPT:TILLER HANDLE (DF90A E40)

REF NO.	PART NO.	DESCRIPTION	Q'TY	REMARKS
1	63002-87L11-OEP	KIT TILLER HANDLE (BLACK)	1	
2	21110-88L00	..LEVER, SHIFT	1	
3	23230-90J10	..CABLE, SHIFT	1	
4	36620-87L00	..WIRE ASSY, HARNESS	1	
5	37110-87L01	..SWITCH ASSY, IGNITION	1	
6-1	37141-99E00	..KEY (931)	1	
6-2	37141-99E10	..KEY (932)	1	
6-3	37141-99E20	..KEY (933)	1	
6-4	37141-99E30	..KEY (934)	1	
6-5	37141-99E40	..KEY (935)	1	
6-6	37141-99E50	..KEY (936)	1	
6-7	37141-99E60	..KEY (937)	1	
6-8	37141-99E70	..KEY (938)	1	
6-9	37141-99E80	..KEY (939)	1	
6-10	37141-99E90	..KEY (940)	1	
6-11	37141-99EA0	..KEY (941)	1	
6-12	37141-99EB0	..KEY (942)	1	
7	37143-99E00	..CAP, KEY	1	
8	37149-93J00	..CAP, CYLINDER BODY	1	
9	37820-87L00	..SWITCH ASSY, EMERGENCY	1	
10	37823-92E01	..PLATE, LOCK	1	
11	37826-92E00	..NUT	1	
12	38500-93J90	..BUZZER	1	
13	37850-87L00	..SWITCH ASSY, PTT	1	
14	37852-87J00	..PLATE, TRIM SWITCH	1	
15	63121-88L00	..COVER, UNDER	1	
16	63210-88L00	..GRIP, HANDLE	1	
17	63221-88L00	..SHAFT, THROTTLE	1	
18	63223-92D00	..STOPPER, HANDLE ROD	1	
19	63225-88L00	..BUSH, HANDLE ROD	1	
20	63227-93200	..PIN, HANDLE ROD	1	
21	63235-88L00	..PLATE, THROTTLE SHAFT	1	
22	63246-88L00	..STOPPER THROTTLE ADJ	1	
23	63250-88L00	..ARM ASSY, THROTTLE	1	

FIG.207

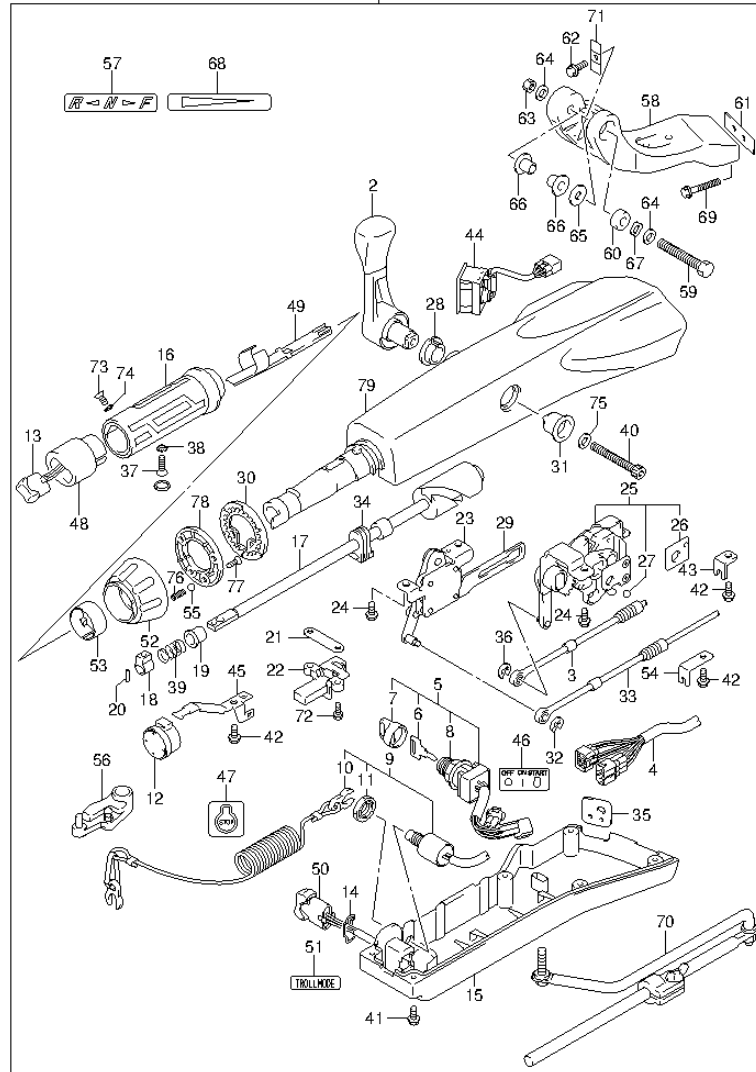


FIG.207 (2-K-5) OPT:TILLER HANDLE (DF90A E40)

REF NO.	PART NO.	DESCRIPTION	Q'TY	REMARKS
24	63251-87J00	.BOLT, SHIFT GEAR ASSY	4	
25	63260-88L00	.GEAR ASSY, SHIFT	1	
26	63272-87J00	..PLATE, BALL GUIDE	1	
27	63273-87J00	..BALL	1	
28	63262-87J00	.BUSH, SHIFT LEVER	1	
29	63271-87J00	.PLATE, LOCK	1	
30	63248-99J00	.PLATE, THROTTLE ADJ NOTCH	1	
31	63261-87J00	.BUSH, SHIFT GEAR	1	
32	63274-87J00	E RING	1	
33	63610-87J00	.CABLE, THROTTLE	1	
34	37853-88L90	.GROMMET, PTT SWITCH LEAD	1	
35	63626-88L00	.GROMMET, WIRE HARNESS	1	
36	67292-87J00	E RING	2	
37	09126-06015	.SCREW (6X23)	1	
38	09163-06001	.LOCK WASHER	1	
39	09440-12027	.SPRING	1	
40	21112-88L00	.BOLT SHIFT LEVER	1	
41	09125-05047	.SCREW (5X14)	6	
42	63611-88L00	.BOLT CLAMP BRACKET	3	
43	63612-87J00	.BRACKET, CLAMP	1	
44	34200-87L00	.TACHOMETER ASSY, WITH MONITOR	1	
45	36617-88L90	.CLAMP PLATE, MAIN HARNESS	1	
46	37112-88L90	.LABEL, IGNITION SWITCH	1	
47	37835-95D00	.LABEL, STOP	1	
48	37851-88L90	.BASE, PTT SWITCH	1	
49	37852-88L90	.HARNESS, GUIDE	1	
50	37861-87L10	.SWITCH, TROLLING CONTROL	1	
51	37864-88L90	.LABEL, TROLL MODE	1	
52	63244-99J00	.KNOB, THROTTLE ADJ	1	
53	63245-99J00	.BUSH, THROTTLE ADJ	1	
54	63612-88L10	.BRACKET, CLAMP SHIFT	1	
55	09260-10006	.BALL	1	
56	19120-87L10	.LEVER, THROTTLE	1	
57	21131-88L00	.MARK, CLUTCH SHIFT	1	

FIG.207

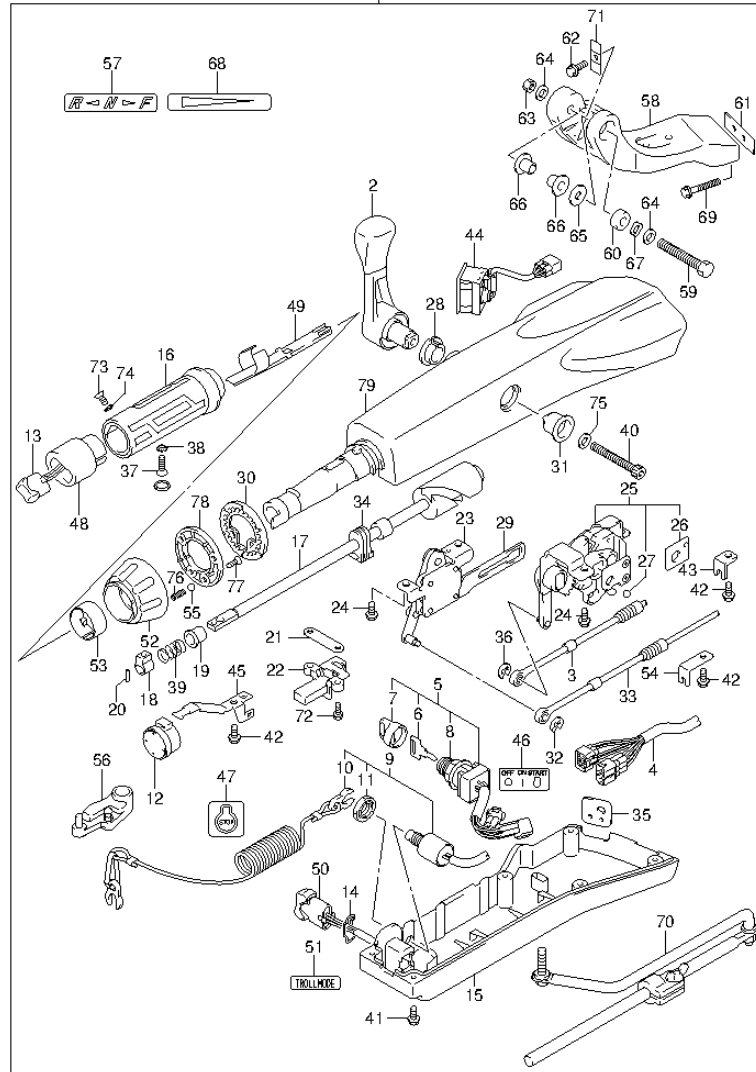


FIG.207 (2-K-6) OPT:TILLER HANDLE (DF90A E40)

REF NO.	PART NO.	DESCRIPTION	Q'TY	REMARKS
58	43761-88L01-OEP	.BRACKET, TILLER HANDLE (BLACK)	1	
59	43762-88L00	.BOLT TILLER HANDLE PIVOT	1	
60	43768-88L00	.SPACER, TILLER HANDLE	1	
61	43776-87L00	.SPACER, STRG BRKT	1	
62	09116-08137	.BOLT (8X22)	1	
63	09159-12014	.NUT	1	
64	09160-12066	.WASHER (12.5X22X2.5)	2	
65	09160-12124	.WASHER (12.5X32X1.5)	1	
66	63115-88L00	.BUSH, TILLER HANDLE	2	
67	09164-13010	.WAVE WASHER	1	
68	63215-93110	.MARK, HANDLE GRIP	1	
69	09116-10150	.BOLT (10X55)	2	
70	43770-99E03	.ADJUSTER ASSY, STEERING	1	
71	63132-88L00	.STOPPER, TILLER HANDLE	1	
72	63251-88L90	.BOLT	2	
73	37855-88L90	.SCREW, THROTTLE GRIP	1	
74	37854-88L90	.WASHER, THROTTLE GRIP	1	
75	63258-88L00	.WASHER	1	
76	09440-06037	.SPRING	1	
77	03522-05169	.SCREW	3	
78	63247-99J00	.PLATE, THROTTLE ADJ KNOB	1	
79	63111-88L00-OEP	.HOUSING, TILLER HANDLE	1	

FIG.208

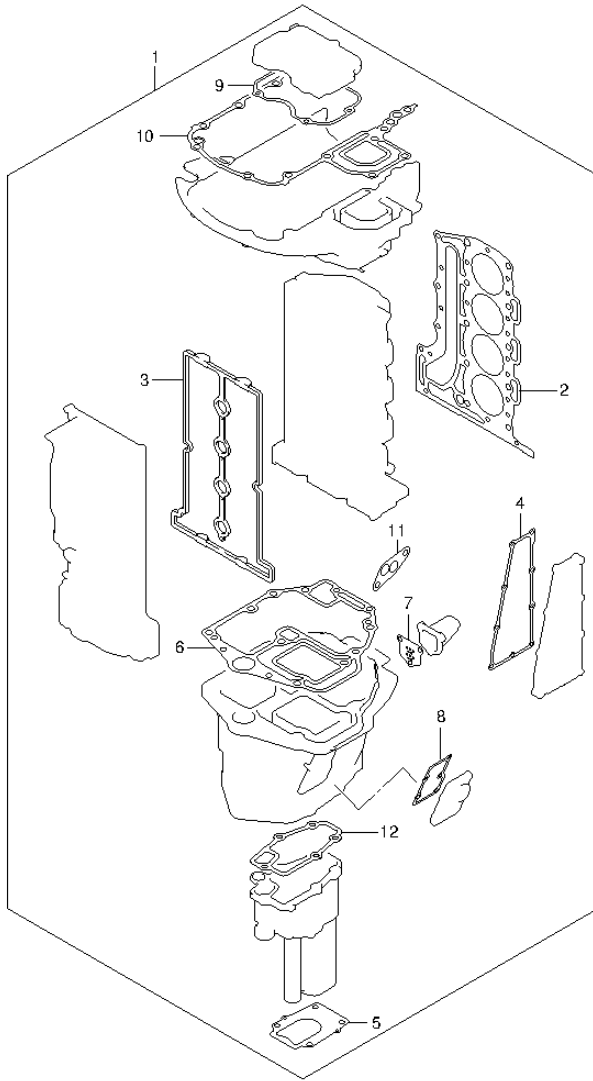


FIG.208 (2-K-7) OPT:GASKET SET

REF NO.	PART NO.	DESCRIPTION	Q'TY	REMARKS
1	11410-87851	GASKET SET	1	
2	11141-87L00	.GASKET, CYLINDER HEAD	1	
3	11189-87L00	.GASKET, CYLINDER HEAD COVER	1	
4	14151-87L00	.GASKET, EXH COVER	1	
5	17472-87L00	.GASKET, PUMP CASE PANEL	1	
6	11489-87L00	.GASKET, OIL PAN	1	
7	11542-87L00	.GASKET, EXH TUBE	1	
8	11552-87L00	.GASKET, OIL PAN WTR JKT COV	1	
9	51123-87L00	.GASKET, MOUNT CASE COVER	1	
10	51211-87L10	.GASKET, ENGINE HOLDER	1	
11	52331-87L00	.GASKET, EXH TUBE HOUSING	1	
12	16539-87L00	.GASKET, OIL FILTER ADAPTER CASE	1	

FIG.209

FIG.209 (2-K-8) OPT:REMOTE CONTROL SPACER (DF70ATH E01)

REF NO.	PART NO.	DESCRIPTION	Q'TY	REMARKS
1	67500-93J00	KIT, R/CON SPACER SINGLE	1	
2	09125-05135	.SCREW (5X65)	4	
3	09140-05005	.NUT	4	
4	09160-05029	.WASHER (5.5X12X0.8)	4	

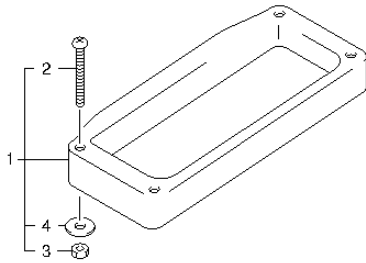


FIG.210

FIG.210 (2-K-9) OPT:REMOTE CONTROL SPACER (DF70ATH E40)

REF NO.	PART NO.	DESCRIPTION	Q'TY	REMARKS
1	67500-93J00	KIT, R/CON SPACER SINGLE	1	
2	09125-05135	.SCREW (5X65)	4	
3	09140-05005	.NUT	4	
4	09160-05029	.WASHER (5.5X12X0.8)	4	

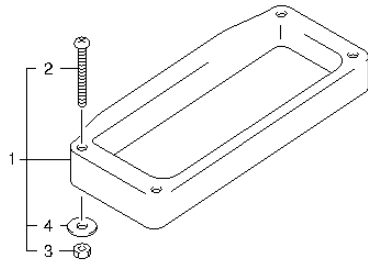


FIG.211

FIG.211 (2-K-10) OPT:REMOTE CONTROL SPACER (DF90ATH E01)

REF NO.	PART NO.	DESCRIPTION	Q'TY	REMARKS
1	67500-93J00	KIT, R/CON SPACER SINGLE	1	
2	09125-05135	.SCREW (5X65)	4	
3	09140-05005	.NUT	4	
4	09160-05029	.WASHER (5.5X12X0.8)	4	

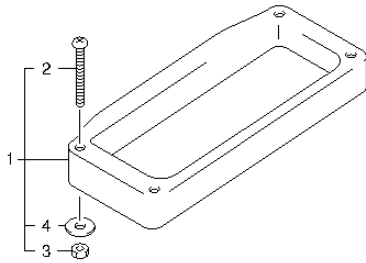


FIG.212

FIG.212 (2-K-11) OPT:REMOTE CONTROL SPACER (DF90ATH E40)

REF NO.	PART NO.	DESCRIPTION	Q'TY	REMARKS
1	67500-93J00	KIT, R/CON SPACER SINGLE	1	
2	09125-05135	.SCREW (5X65)	4	
3	09140-05005	.NUT	4	
4	09160-05029	.WASHER (5.5X12X0.8)	4	

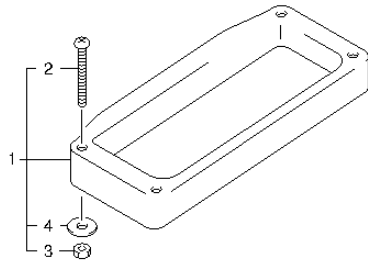


FIG.213

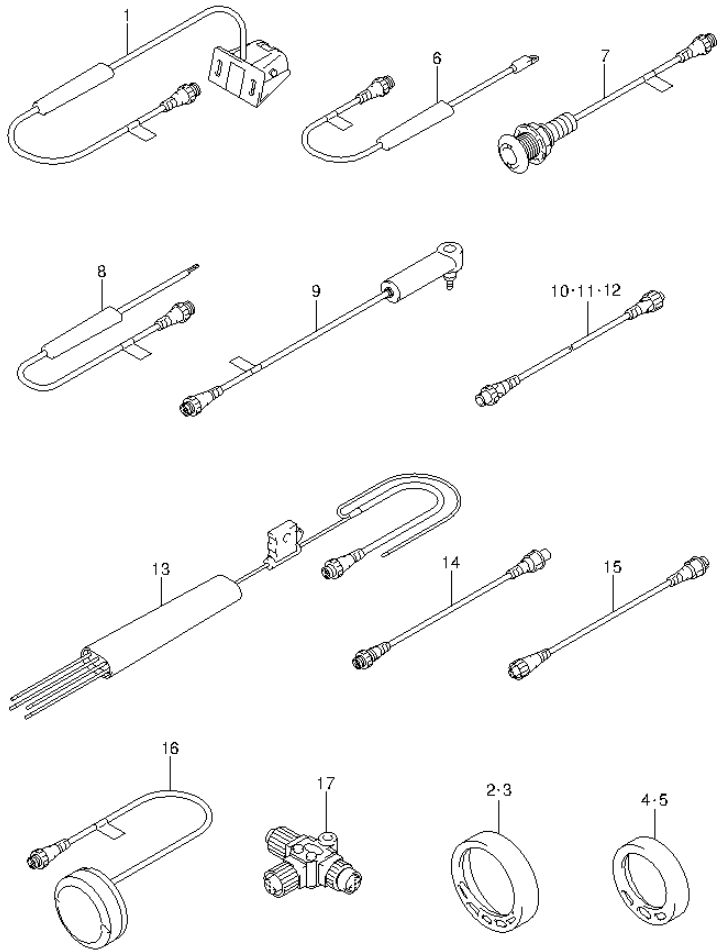


FIG.213 (2-K-12) OPT:LOWRANCE GAUGE

REF NO.	PART NO.	DESCRIPTION	Q'TY	REMARKS
1	34190-88L00	SENSOR ASSY, PAD WHEEL	1	
2	34193-88L00	BEZEL, 4 IN CHR	1	
3	34193-88L20	BEZEL, 4 IN WHITE	1	
4	34193-88L40	BEZEL, 2 IN CHR	1	
5	34193-88L60	BEZEL, 2 IN WHITE	1	
6	34455-88L00	SENSOR ASSY, WATER TEMP	1	
7	34455-88L10	SENSOR ASSY, WATER TEMP	1	
8	34810-88L00	SENSOR ASSY, FLUID LEVEL	1	
9	34960-88L00	SENSOR ASSY, WATER PRESSURE	1	
10	36662-88L10	WIRE, 2 EXTENSION	1	
11	36662-88L20	WIRE, 6 EXTENSION	1	
12	36662-88L30	WIRE, 15 EXTENSION	1	
13	36663-88L10	HARNESS ASSY, NETWORK POWER	1	
14	36666-88L00	WIRE, ADAPTER TO N NETWORK	1	
15	36666-88L10	WIRE, ADAPTER TO L NETWORK	1	
16	39950-88L00	MODULE ASSY, GPS RECEIVER	1	
17	36664-88L00	CONNECTOR, BRANCH	1	

PART NO.	FIG.NO.-REF.NO.	PART NO.	FIG.NO.-REF.NO.	PART NO.	FIG.NO.-REF.NO.
10000			10-5		20-2
			11-5	12705-87L10	21-2
			12-5		22-2
		11541-87L00-0EP	71-3		23-2
		11542-87L00	71-4		24-2
11100-87L01	1-1		208-7	12730-87L00	14-1
11112-84400	1-14	11551-87L00-0EP	71-5	12741-90J01	15-3
11115-73G01-001	1-4	11552-87L00	71-6		16-3
11117-89J00	1-10		208-8		17-3
11117-90J10	2-4	12100-69830-025	13-7-6		18-3
11118-95J00	72-21	12100-69830-0A0	13-7-1		19-3
11118-98J01	2-7	12100-69830-0B0	13-7-2		20-3
11141-87L00	1-11	12100-69830-0C0	13-7-3		21-3
	208-2	12100-69830-0D0	13-7-4		22-3
11170-87L11	1-17	12100-69830-0E0	13-7-5		23-3
11173-87L00	1-21	12100-87L01-050	13-13		24-3
11189-87L00	1-18	12111-87L00	13-1	12748-87L00	15-4
	208-3	12140-87L01	13-2		16-4
11194-87L10	1-27	12140-87L01-050	13-14		17-4
11196-87L00	59-1	12151-54A50	13-3		18-4
11216-77E00	2-5	12160-87L10	13-5		19-4
11223-87L00	2-11	12220-87L00	13-8		20-4
11224-87L00	2-13	12281-87J00	103-19		21-4
11241-73003	70-9	12300-57820-0AA	13-9-6		22-4
11261-93J00	1-5	12300-57820-0BA	13-9-7		23-4
	27-4	12300-57820-0CA	13-9-8		24-4
11291-87L00	2-1	12300-57820-0DA	13-9-9	12749-93J00	15-5
11300-87L10	2-3	12300-57820-0EA	13-9-10		16-5
11382-99E00	1-15	12300-78890	13-10		17-5
11410-87851	208-1	12300-78890-012	13-11		18-5
11489-87L00	71-1	12340-57K02-0A0	13-9-4		19-5
	208-6	12340-57K02-0B0	13-9-5		20-5
11501-87L10-0EP	71-2	12340-57K02-0C0	13-9-1		21-5
11510-87L02	3-1	12340-57K02-0D0	13-9-2		22-5
	4-1	12340-57K02-0E0	13-9-3		23-5
	5-1	12701-87L00	19-1		24-5
	6-1		20-1	12761-87L00	14-4
	7-1	12701-87L10	21-1	12771-87L00	14-5
	8-1		22-1	12810-87L00	14-7
	9-1		23-1	12812-90J00	14-10
	10-1		24-1	12813-73G00	14-8
	11-1	12701-87L20	15-1	12831-93J01	14-11
	12-1		16-1	12891-69J00	15-8
11514-87L00	3-5		17-1		16-8
	4-5		18-1		17-8
	5-5	12705-87L00	15-2		18-8
	6-5		16-2		19-8
	7-5		17-2		20-8
	8-5		18-2		21-8
	9-5		19-2		22-8

PART NO.	FIG.NO.-REF.NO.	PART NO.	FIG.NO.-REF.NO.	PART NO.	FIG.NO.-REF.NO.
			23-8		23-9-10
			24-8		24-9-10
12892-69J00-228	15-9-1	12892-69J00-238	15-9-6	12892-69J00-248	15-9-11
	16-9-1		16-9-6		16-9-11
	17-9-1		17-9-6		17-9-11
	18-9-1		18-9-6		18-9-11
	19-9-1		19-9-6		19-9-11
	20-9-1		20-9-6		20-9-11
	21-9-1		21-9-6		21-9-11
	22-9-1		22-9-6		22-9-11
	23-9-1		23-9-6		23-9-11
	24-9-1		24-9-6		24-9-11
12892-69J00-230	15-9-2	12892-69J00-240	15-9-7	12892-69J00-250	15-9-12
	16-9-2		16-9-7		16-9-12
	17-9-2		17-9-7		17-9-12
	18-9-2		18-9-7		18-9-12
	19-9-2		19-9-7		19-9-12
	20-9-2		20-9-7		20-9-12
	21-9-2		21-9-7		21-9-12
	22-9-2		22-9-7		22-9-12
	23-9-2		23-9-7		23-9-12
	24-9-2		24-9-7		24-9-12
12892-69J00-232	15-9-3	12892-69J00-242	15-9-8	12892-69J00-252	15-9-13
	16-9-3		16-9-8		16-9-13
	17-9-3		17-9-8		17-9-13
	18-9-3		18-9-8		18-9-13
	19-9-3		19-9-8		19-9-13
	20-9-3		20-9-8		20-9-13
	21-9-3		21-9-8		21-9-13
	22-9-3		22-9-8		22-9-13
	23-9-3		23-9-8		23-9-13
12892-69J00-234	15-9-4	12892-69J00-244	15-9-9	12892-69J00-254	15-9-14
	16-9-4		16-9-9		16-9-14
	17-9-4		17-9-9		17-9-14
	18-9-4		18-9-9		18-9-14
	19-9-4		19-9-9		19-9-14
	20-9-4		20-9-9		20-9-14
	21-9-4		21-9-9		21-9-14
	22-9-4		22-9-9		22-9-14
	23-9-4		23-9-9		23-9-14
	24-9-4		24-9-9		24-9-14
12892-69J00-236	15-9-5	12892-69J00-246	15-9-10	12892-69J00-256	15-9-15
	16-9-5		16-9-10		16-9-15
	17-9-5		17-9-10		17-9-15
	18-9-5		18-9-10		18-9-15
	19-9-5		19-9-10		19-9-15
	20-9-5		20-9-10		20-9-15
	21-9-5		21-9-10		21-9-15
	22-9-5		22-9-10		22-9-15

PART NO.	FIG.NO.-REF.NO.	PART NO.	FIG.NO.-REF.NO.	PART NO.	FIG.NO.-REF.NO.
12892-69J00-258	23-9-15	12892-69J00-268	23-9-20	12921-87J10	23-11
	24-9-15		24-9-20		24-11
	15-9-16		15-9-21		15-12
	16-9-16		16-9-21		16-12
	17-9-16		17-9-21		17-12
12892-69J00-260	18-9-16	12892-69J00-270	18-9-21	12931-78G00	18-12
	19-9-16		19-9-21		19-12
	20-9-16		20-9-21		20-12
	21-9-16		21-9-21		21-12
	22-9-16		22-9-21		22-12
	23-9-16		23-9-21		23-12
	24-9-16		24-9-21		24-12
12892-69J00-262	15-9-17	12892-69J00-272	15-9-22	12932-24400	15-13
	16-9-17		16-9-22		16-13
	17-9-17		17-9-22		17-13
	18-9-17		18-9-22		18-13
	19-9-17		19-9-22		19-13
12892-69J00-264	20-9-17	12911-87L00	20-9-22	12933-51E00	20-13
	21-9-17		21-9-22		21-13
	22-9-17		22-9-22		22-13
	23-9-17		23-9-22		23-13
	24-9-17		24-9-22		24-13
12892-69J00-266	15-9-18	12915-87L50	15-9-23	13110-87L00	15-14
	16-9-18		16-9-23		16-14
	17-9-18		17-9-23		17-14
	18-9-18		18-9-23		18-14
	19-9-18		19-9-23		19-14
12892-69J00-264	20-9-18	12911-87L00	20-9-23	12933-51E00	20-14
	21-9-18		21-9-23		21-14
	22-9-18		22-9-23		22-14
	23-9-18		23-9-23		23-14
	24-9-18		24-9-23		24-14
12892-69J00-266	15-9-19	12915-87L50	15-10	13119-87L00	15-15
	16-9-19		16-10		16-15
	17-9-19		17-10		17-15
	18-9-19		18-10		18-15
	19-9-19		19-10		19-15
12892-69J00-266	20-9-19	12915-87L50	20-10	13125-87L00	20-15
	21-9-19		21-10		21-15
	22-9-19		22-10		22-15
	23-9-19		23-10		23-15
	24-9-19		24-10		24-15
12892-69J00-266	15-9-20	12915-87L50	15-11	13300-87L00	25-1
	16-9-20		16-11		25-2
	17-9-20		17-11		25-3
	18-9-20		18-11		60-1
	19-9-20		19-11		61-1
12892-69J00-266	20-9-20	12915-87L50	20-11	13300-87L00	62-1
	21-9-20		21-11		63-1
	22-9-20		22-11		64-1

PART NO.	FIG.NO.-REF.NO.	PART NO.	FIG.NO.-REF.NO.	PART NO.	FIG.NO.-REF.NO.	
13315-87L00	65-1	15200-92J10	27-1	15614-88L00	28-25	
	66-1		27-2		29-25	
	67-1		208-4		30-25	
	68-1		15100-90J11		48-1	31-25
	69-1		15190-90J30		48-10	32-25
13370-88L00	60-2	15200-92J00	48-11	15614-88L00	33-25	
	61-2		28-3		34-25	
	62-2		30-3		35-25	
	63-2		32-3		36-25	
	64-2		34-3		37-25	
13370-88L00	65-2	15410-87L00	36-3	15626-92J00	28-23	
	66-2		29-3		29-23	
	67-2		31-3		30-23	
	68-2		33-3		31-23	
	69-2		35-3		32-23	
13370-88L10	28-2	15421-87L00	37-3	15626-92J10	33-23	
	30-2		48-4		34-23	
	32-2		48-5		35-23	
	34-2		48-8		36-23	
	36-2		15422-96J00		48-7	37-23
13510-87L00	29-2	15600-92J01	28-1	15628-99E00	28-4	
	31-2		30-1		30-4	
	33-2		32-1		32-4	
	35-2		34-1		34-4	
	37-2		36-1		36-4	
13614-89J00	60-7	15612-88L00	29-1	15629-99E10	29-4	
	61-7		31-1		31-4	
	62-7		33-1		33-4	
	63-7		35-1		35-4	
	64-7		37-1		37-4	
13614-89J00	65-7	15613-88L00	28-21	15629-99E10	28-5	
	66-7		29-21		29-5	
	67-7		30-21		30-5	
	68-7		31-21		31-5	
	69-7		32-21		32-5	
13614-93J00	29-15	15613-88L00	33-21	15629-99E10	33-5	
	31-15		34-21		34-5	
	33-15		35-21		35-5	
	35-15		36-21		36-5	
	37-15		37-21		37-5	
13650-52G00	29-16	13655-87J00	28-22	13655-87J00	28-6	
	31-16		29-22		29-6	
	33-16		30-22		30-6	
	35-16		31-22		31-6	
	37-16		32-22		32-6	
13710-99E00	78-1	13710-99E00	33-22	13710-99E00	33-6	
	78-2		34-22		34-6	
	26-1		35-22		35-6	
	26-2		36-22		36-6	
	26-3		37-22		37-6	

PART NO.	FIG.NO.-REF.NO.	PART NO.	FIG.NO.-REF.NO.	PART NO.	FIG.NO.-REF.NO.
15641-88L00	28-7 30-7 32-7 34-7 36-7	15643-88L00	28-17 29-17 30-17 31-17 32-17	15654-88L00	28-10 29-10 30-10 31-10 32-10
15641-88L10	29-7 31-7 33-7 35-7 37-7		33-17 34-17 35-17 36-17 37-17		33-10 34-10 35-10 36-10 37-10
15641-88L20	28-18 30-18 32-18 34-18 36-18	15644-88L00	28-13 30-13 32-13 34-13 36-13	15681-92J00	38-1 39-1 40-1 41-1 42-1
15641-88L30	29-18 31-18 33-18 35-18 37-18	15644-88L10	29-13 31-13 33-13 35-13 37-13		43-1 44-1 45-1 46-1 47-1
15641-88L40	28-19 30-19 32-19 34-19 36-19	15645-88L00	28-14 29-14 30-14 31-14 32-14	15683-87J00	28-11 29-11 30-11 31-11 32-11
15641-88L50	29-19 31-19 33-19 35-19 37-19		33-14 34-14 35-14 36-14 37-14		33-11 34-11 35-11 36-11 37-11
15642-88L00	28-8 29-8 30-8 31-8 32-8 33-8 34-8 35-8 36-8 37-8	15648-92J00	28-16 29-24 30-16 31-24 32-16 33-24 34-16 35-24 36-16 37-24	15710-82K50	38-2 39-2 40-2 41-2 42-2 43-2 44-2 45-2 46-2 47-2
15642-88L10	28-20 29-20 30-20 31-20 32-20 33-20 34-20 35-20 36-20 37-20	15650-99E00	28-9 29-9 30-9 31-9 32-9 33-9 34-9 35-9 36-9 37-9	15716-65DT0	38-3 39-3 40-3 41-3 42-3 43-3 44-3 45-3 46-3 47-3

PART NO.	FIG.NO.-REF.NO.	PART NO.	FIG.NO.-REF.NO.	PART NO.	FIG.NO.-REF.NO.
15750-87L30	38-4 40-4 42-4 44-4 46-4	17410-99E10	49-1 50-1 51-1 52-1 53-1	17472-87L00	49-4 50-4 51-4 52-4 53-4
15750-87L40	39-4 41-4 43-4 45-4 47-4		54-1 55-1 56-1 57-1 58-1		54-4 55-4 56-4 57-4 58-4
15760-88L00	28-12 29-12 30-12 31-12 32-12	17413-99E11	49-16 51-16 53-16 55-16 57-16	17561-87L20	208-5 49-5-1 50-5-1 51-5-1 52-5-1
	33-12 34-12 35-12 36-12 37-12	17413-99E21	50-16 52-16 54-16 56-16 58-16		53-5-1 54-5-1 55-5-1 56-5-1 57-5-1
15830-87L30	38-5 40-5 42-5 44-5 46-5	17416-99E10	49-17 50-17 51-17 52-17 53-17	17561-87L30	58-5-1 49-5-2 50-5-2 51-5-2 52-5-2
15830-87L40	39-5 41-5 43-5 45-5 47-5		54-17 55-17 56-17 57-17 58-17		53-5-2 54-5-2 55-5-2 56-5-2 57-5-2
16400-87L00	70-1 70-3 70-10 70-8 70-5	17461-87E12	49-2 50-2 51-2 52-2 53-2	17562-87L00	58-5-2 49-6 50-6 51-6 52-6
16531-87L00	70-11 70-12 208-12 71-17 71-18		54-2 55-2 56-2 57-2 58-2		53-6 54-6 55-6 56-6 57-6
16539-87L00	49-18 50-18 51-18 52-18 53-18	17471-87L00	49-3 51-3 53-3 55-3 57-3	17563-87D00	58-6 49-7 50-7 51-7 52-7
16910-87L00	54-18 55-18 56-18 57-18 58-18	17471-87L10	50-3 52-3 54-3 56-3 58-3		53-7 54-7 55-7 56-7 57-7

PART NO.	FIG.NO.-REF.NO.	PART NO.	FIG.NO.-REF.NO.	PART NO.	FIG.NO.-REF.NO.
17564-87D00	58-7		107-16		64-8
	49-8		108-16		65-8
	50-8		109-16		66-8
	51-8		110-16		67-8
	52-8		111-16		68-8
-----	53-8		112-16		69-8
	54-8		113-16	19120-87L00	60-9
	55-8		114-16		61-9
	56-8		115-16		64-9
	57-8	17915-87L00	59-11		65-9
17611-90J00-0EP	58-8	17917-87L00	107-40		66-9
	59-2		109-40		67-9
	17631-87L00		111-40	19120-87L10	62-9
	50-9		113-40		63-9
	51-9		115-40		68-9
-----	52-9		159-7		69-9
	53-9		160-7		202-56
	54-9		165-7		203-56
	55-9		166-7		204-56
	56-9	18137-87L01	25-8		205-56
17632-87L00	57-9	18498-87JC0	28-31		206-56
	58-9		29-31		207-56
	49-10		30-31	19131-95502	60-10
	50-10		31-31		61-10
	51-10		32-31		62-10
-----	52-10		33-31		63-10
	53-10		34-31		64-10
	54-10		35-31		65-10
	55-10		36-31		66-10
	56-10		37-31		67-10
17660-99E01	57-10	18498-95J00	1-24		68-10
	58-10	18498-99E10	48-13		69-10
	59-3		48-14		
	17670-90J00		38-8		
	17670-90J10	18498-99E20	39-8		
17681-87L00	59-5		40-8		
	17685-87L00		41-8		
	17913-93J00		42-8		
	106-15		43-8		
	107-15		44-8		
-----	108-15		45-8	21110-87L00	72-1
	109-15		46-8	21110-88L00	126-3
	110-15		47-8		127-3
	111-15	18498-99EA0	59-16		128-3
	112-15		167-6		129-3
17914-93J00	113-15	18590-68H00	78-3		202-2
	114-15	19115-87L00	60-8		203-2
	115-15		61-8		204-2
	71-9		62-8		205-2
	106-16		63-8		206-2

PART NO.	FIG.NO.-REF.NO.	PART NO.	FIG.NO.-REF.NO.	PART NO.	FIG.NO.-REF.NO.
21112-88L00	207-2	25111-87L00	73-1-1	31311-93J00	102-2
	126-41	25111-87L10	73-1-2	31320-93J00	75-13
	127-41	25131-87L01	73-2	31341-93J00	75-14
	128-41	25141-87L00	73-5	31343-90J00	75-15
	129-41	25223-94400	73-6	31344-90J00	75-16
-----	202-40	25232-96302	73-3	31360-93J01	75-17
	203-40	25700-87L00	105-30	31912-87L00	75-20
	204-40	29103-93J00	78-17	31913-93J00	75-18
	205-40	29116-93J00	71-11	31914-93J00	75-19
	206-40		73-7	31918-87L00	75-21
21131-88L00	207-40		103-12	32102-87L00	76-1
	126-71	29116-93J10	49-11	32120-87L10	76-5
	127-71		50-11	32160-87L00	76-6
	128-71		51-11	32800-87L00	77-1
	129-71		52-11	32890-87L01	77-3
-----	202-57		53-11	33220-50M10	76-8
	203-57		54-11	33410-87L00	77-8
	204-57		55-11	33634-96J00	79-4
	205-57		56-11	33799-97E00	102-9
	206-57		57-11	33810-90J10	79-1
21131-93J00	207-57		58-11	33925-92J00	80-13
	72-2	29141-93J20	105-18		81-13
	21151-87L00	29404-93J10	71-12		82-13
	21152-87L00				83-13
	21153-87L00				84-13
-----	21155-87L00				85-13
	21157-87L00				86-13
	21210-87L00				87-13
	22511-99011				88-13
	91-1				89-13
-----	92-1	31100-96J01	75-1	33930-87L60	84-12
	93-1	31111-94900	102-10	33930-87L70	85-12
	94-1	31123-94910	102-4	33930-87L80	86-12
	95-1	31131-90J01	75-2		88-12
	96-1	31133-90J00	102-5	33930-87L90	87-12
-----	97-1	31133-94900	102-6		89-12
	98-1	31135-90J00	75-3	33930-87LA0	80-12
	99-1	31135-94900	102-8		82-12
	100-1	31136-90J10	102-7	33930-87LB0	81-12
	72-10	31151-94J00	75-4		83-12
23115-87L00	126-4	31152-90J00	75-5	34011-88L02	157-7
	127-4	31153-90J00	75-6		158-7
	128-4	31170-90J00	75-7		159-8
	129-4	31171-96J00	75-8		160-8
	202-3	31173-90J01	75-9		161-7
-----	203-3	31173-94910	102-3		162-7
	204-3	31191-96J00	75-10		163-7
	205-3	31220-94J00	75-11		164-7
	206-3	31281-92J10	101-8		165-8
	207-3	31310-90J00	75-12		166-8

PART NO.	FIG.NO.-REF.NO.	PART NO.	FIG.NO.-REF.NO.	PART NO.	FIG.NO.-REF.NO.
34011-88L12	157-13	34100-93J40	147-3-5	34190-88L00	213-1
	158-13		148-3-5	34190-95500	157-2
	159-14		149-3-5		158-2
	160-14		150-3-5		159-2
	161-13		151-3-5		160-2
	162-13		152-3-5		161-2
	163-13		153-3-5		162-2
	164-13		154-3-5		163-2
	165-14		155-3-5		164-2
	166-14		156-3-5		165-2
34100-93J00	147-3-1	34100-93J51	147-3-6	34191-92E00	166-2
	148-3-1		148-3-6		147-5
	149-3-1		149-3-6		147-17
	150-3-1		150-3-6		148-5
	151-3-1		151-3-6		148-17
	152-3-1		152-3-6		149-5
	153-3-1		153-3-6		149-17
	154-3-1		154-3-6		150-5
	155-3-1		155-3-6		150-17
	156-3-1		156-3-6		151-5
34100-93J11	147-3-2	34100-93J60	147-3-7		151-17
	148-3-2		148-3-7	152-5	
	149-3-2		149-3-7	152-17	
	150-3-2		150-3-7	153-5	
	151-3-2		151-3-7	153-17	
	152-3-2		152-3-7	154-5	
	153-3-2		153-3-7	154-17	
	154-3-2		154-3-7	155-5	
	155-3-2		155-3-7	155-17	
	156-3-2		156-3-7	156-5	
34100-93J20	147-3-3	34120-98J01	157-1		156-17
	148-3-3		158-1	34193-88L00	213-2
	149-3-3		159-1	34193-88L20	213-3
	150-3-3		160-1	34193-88L40	213-4
	151-3-3		161-1	34193-88L60	213-5
	152-3-3		162-1	34200-87L00	126-45
	153-3-3		163-1		127-45
	154-3-3		164-1		128-45
	155-3-3		165-1		129-45
	156-3-3		166-1		202-44
34100-93J31	147-3-4	34190-87D00	147-3-8		203-44
	148-3-4		148-3-8	204-44	
	149-3-4		149-3-8	205-44	
	150-3-4		150-3-8	206-44	
	151-3-4		151-3-8	207-44	
	152-3-4		152-3-8	34200-87L12	147-23
	153-3-4		153-3-8		148-23
	154-3-4		154-3-8		149-23
	155-3-4		155-3-8		150-23
	156-3-4		156-3-8		151-23

PART NO.	FIG.NO.-REF.NO.	PART NO.	FIG.NO.-REF.NO.	PART NO.	FIG.NO.-REF.NO.
	152-23		152-25-1		148-12
	153-23		153-25-1		149-12
	154-23		154-25-1		150-12
	155-23	34200-93J50	147-25-2		151-12
	156-23		148-25-2		152-12
34200-88L02	157-8		151-25-2		153-12
	158-8		152-25-2		154-12
	159-9		153-25-2		155-12
	160-9		154-25-2		156-12
	161-8	34211-87L00	147-24	34455-88L00	213-6
	162-8		148-24	34455-88L10	213-7
	163-8		149-24	34500-93J00	141-3-1
	164-8		150-24		142-3-1
	165-9		151-24		143-3-1
	166-9		152-24		144-3-1
34200-93J00	141-5-1		153-24		145-3-1
	142-5-1		154-24		146-3-1
	143-5-1		155-24		147-14-1
	144-5-1		156-24		148-14-1
	145-5-1	34300-93J00	147-10-1		149-14-1
	146-5-1		148-10-1		150-14-1
	147-20-1		149-10-1		151-14-1
	148-20-1		150-10-1		152-14-1
	149-20-1		151-10-1		153-14-1
	150-20-1		152-10-1		154-14-1
34200-93J11	151-20-1		153-10-1		155-14-1
	152-20-1		154-10-1		156-14-1
	153-20-1		155-10-1	34500-93J11	141-3-2
	154-20-1		156-10-1		142-3-2
	155-20-1	34300-93J11	147-10-2		143-3-2
	156-20-1		148-10-2		144-3-2
	141-5-2		149-10-2		145-3-2
	142-5-2		150-10-2		146-3-2
	143-5-2		151-10-2		147-14-2
	144-5-2		152-10-2		148-14-2
34200-93J40	145-5-2		153-10-2		149-14-2
	146-5-2		154-10-2		150-14-2
	147-20-2		155-10-2		151-14-2
	148-20-2		156-10-2		152-14-2
	149-20-2	34310-92E00	147-11		153-14-2
	150-20-2		148-11		154-14-2
	151-20-2		149-11		155-14-2
	152-20-2		150-11		156-14-2
	153-20-2		151-11	34600-93J00	147-8-1
	154-20-2		152-11		148-8-1
34200-93J00	155-20-2		153-11		149-8-1
	156-20-2		154-11		150-8-1
	147-25-1		155-11		151-8-1
	148-25-1		156-11		152-8-1
151-25-1	34360-92E00	147-12		153-8-1	

PART NO.	FIG.NO.-REF.NO.	PART NO.	FIG.NO.-REF.NO.	PART NO.	FIG.NO.-REF.NO.
34600-93J11	154-8-1		147-1-1		165-10
	155-8-1		148-1-1		165-16
	156-8-1		149-1-1		166-10
	147-8-2		150-1-1		166-16
	148-8-2		151-1-1	34960-88L00	213-9
	149-8-2		152-1-1	36610-87L50	79-3
	150-8-2		153-1-1	36611-87L00	79-34
	151-8-2		154-1-1	36612-96J00	79-14
	152-8-2		155-1-1	36615-96300	141-6
	153-8-2		156-1-1		142-6
34650-93J20	154-8-2	34800-93J11	141-1-2		143-6
	155-8-2		142-1-2		144-6
	156-8-2		143-1-2		145-6
	147-16-1		144-1-2		146-6
	148-16-1		145-1-2		147-7
	149-16-1		146-1-2		147-21
	150-16-1		147-1-2		147-28
	151-16-1		148-1-2		148-7
	152-16-1		149-1-2		148-21
	153-16-1		150-1-2		148-28
34650-93J31	154-16-1		151-1-2		149-7
	155-16-1		152-1-2		149-21
	156-16-1		153-1-2		149-26
	147-16-2		154-1-2		150-7
	148-16-2		155-1-2		150-21
	149-16-2		156-1-2		150-26
	150-16-2	34810-88L00	213-8		151-7
	151-16-2	34830-87J20	78-5		151-21
	152-16-2	34840-98J11	78-6		151-28
	153-16-2	34841-87L10	78-9		152-7
34660-90J02	154-16-2	34842-87L01	78-10		152-21
	155-16-2	34843-87L00	78-11		152-28
	156-16-2	34845-87L10	78-12		153-7
	167-1	34846-87L00	78-8		153-21
	157-14	34922-88L01	157-9		153-28
	158-14		157-15		154-7
	159-15		158-9		154-21
	160-15		158-15		154-28
	161-14		159-10		155-7
	162-14		159-16		155-21
34800-93J00	163-14		160-10		155-26
	164-14		160-16		156-7
	165-15		161-9		156-21
	166-15		161-15		156-26
	141-1-1		162-9	36616-87L00	79-19
	142-1-1		162-15	36617-87L00	79-24
	143-1-1		163-9	36617-87L10	79-26
	144-1-1		163-15	36617-87L20	79-27
	145-1-1		164-9	36617-88L90	126-46
	146-1-1		164-15		127-46

PART NO.	FIG.NO.-REF.NO.	PART NO.	FIG.NO.-REF.NO.	PART NO.	FIG.NO.-REF.NO.
	128-46		170-55-2	36662-88L00	157-16
	129-46		171-55-2		158-16
	202-45		172-55-2		159-17
	203-45		173-55-2		160-17
	204-45		188-2-2		161-16
	205-45		189-2-2		162-16
	206-45		194-2-2		163-16
	207-45		195-2-2		164-16
36617-93J00	79-25	36620-93J62	168-55-3		165-17
36618-43410	79-15		169-55-3		166-17
36620-87L00	126-5		170-55-3	36662-88L10	213-10
	127-5		171-55-3		213-11
	128-5		172-55-3		213-12
	129-5		173-55-3		213-12
	202-4		188-2-3		157-17
	203-4		189-2-3		158-10
	204-4		194-2-3		158-17
	205-4		195-2-3		159-11
	206-4	36625-93J10	79-36		159-18
	207-4	36628-92E00	168-3		160-11
36620-93J02	168-55-1		169-3		160-18
	169-55-1		170-3		161-10
	170-55-1		171-3		161-17
	171-55-1		172-3		162-10
	172-55-1		173-3		162-17
	173-55-1	36630-92E00	188-5		163-10
	188-2-1		189-5		163-17
	189-2-1		194-5		164-10
	194-2-1		195-5		164-17
	195-2-1	36646-93J01	168-2		165-11
36620-93J10	186-1-1		169-2		165-18
	187-1-1		170-2		166-11
	190-1-1		171-2		166-18
	191-1-1		172-2	36663-88L10	213-13
	192-1-1		173-2	36663-98J00	147-33
	193-1-1	36656-87L00	78-18		148-33
36620-93J30	186-2	36660-94480	188-6		149-31
	187-2		189-6		150-31
	190-2		194-6		151-33
	191-2		195-6		152-33
	192-2	36661-87L00	147-27		153-33
	193-2		148-27		154-33
36620-93J40	186-1-2		149-25		155-31
	187-1-2		150-25		156-31
	190-1-2		151-27	36663-98J10	147-35
	191-1-2		152-27		148-35
	192-1-2		153-27		149-33
	193-1-2		154-27		150-33
36620-93J52	168-55-2		155-25		151-35
	169-55-2		156-25		152-35

PART NO.	FIG.NO.-REF.NO.	PART NO.	FIG.NO.-REF.NO.	PART NO.	FIG.NO.-REF.NO.
36664-87L00	153-35		159-20		195-7
	154-35		160-13	36721-96J00	79-7
	155-33		160-20	36737-96J00	79-6
	156-33		161-12	36738-87L00	79-8
	147-29		161-19	36890-93J00	174-16
	148-29		162-12		175-16
	149-27		162-19		176-16
	150-27		163-12		177-16
	151-29		163-19		178-16
	152-29		164-12		179-16
36664-88L00	153-29		164-19	36894-87D00	91-2
	154-29		165-13		91-3
	155-27		165-20		92-2
	156-27		166-13		92-3
	213-17		166-20		93-2
	147-30	36666-87L00	147-37		93-3
	148-30		148-37		94-2
	149-28		149-35		94-3
	150-28		150-35		95-2
	151-30		151-37		95-3
36665-87L00	152-30		152-37		96-2
	153-30		153-37		96-3
	154-30		154-37		97-2
	155-28		155-35		97-3
	156-28		156-35		98-2
	157-11	36666-88L00	213-14		98-3
	157-18	36666-88L10	213-15		99-2
	158-11	36668-88L00	157-20		99-3
	158-18		158-20		100-2
	159-12		159-21		100-3
36665-88L00	159-19		160-21		101-23
	160-12		161-20	36895-87D10	91-4
	160-19		162-20		92-4
	161-11		163-20		93-4
	161-18		164-20		94-4
	162-11		165-21		95-4
	162-18		166-21		96-4
	163-11	36682-92E00	147-31		97-4
	163-18		148-31		98-4
	164-11		149-29		99-4
36665-88L10	164-18		150-29		100-4
	165-12		151-31		101-27
	165-19		152-31	36990-87D00	186-4
	166-12		153-31		187-4
	166-19		154-31		188-4
	157-12		155-29		189-4
	157-19		156-29		190-4
	158-12		188-7		191-4
	158-19		189-7		192-4
	159-13		194-7		193-4

PART NO.	FIG.NO.-REF.NO.	PART NO.	FIG.NO.-REF.NO.	PART NO.	FIG.NO.-REF.NO.
37100-96J00	194-4		206-46		172-5-2
	195-4		207-46		173-5-2
	196-1	37139-99E00	196-6		196-3-2
	197-1		197-6		196-17-2
	198-1		198-6		197-3-2
	199-1		199-6		197-17-2
	200-1		200-6		198-3-2
	201-1		201-6		198-17-2
	196-15	37139-99E20	196-23		199-3-2
	197-15		197-23		199-17-2
37100-96J23	198-15		198-23		200-3-2
	199-15		199-23		200-17-2
	200-15		200-23		201-3-2
	201-15		201-23		201-17-2
	126-6	37141-99E00	126-7-1		202-6-2
	127-6		127-7-1		203-6-2
	128-6		128-7-1		204-6-2
	129-6		129-7-1		205-6-2
	202-5		168-5-1		206-6-2
	203-5		169-5-1		207-6-2
37110-87L01	204-5		170-5-1	37141-99E20	126-7-3
	205-5		171-5-1		127-7-3
	206-5		172-5-1		128-7-3
	207-5		173-5-1		129-7-3
	196-2		196-3-1		168-5-3
	196-16		196-17-1		169-5-3
	197-2		197-3-1		170-5-3
	197-16		197-17-1		171-5-3
	198-2		198-3-1		172-5-3
	198-16		198-17-1		173-5-3
37110-93J01	199-2		199-3-1		196-3-3
	199-16		199-17-1		196-17-3
	200-2		200-3-1		197-3-3
	200-16		200-17-1		197-17-3
	201-2		201-3-1		198-3-3
	201-16		201-17-1		198-17-3
	168-4		202-6-1		199-3-3
	169-4		203-6-1		199-17-3
	170-4		204-6-1		200-3-3
	171-4		205-6-1		200-17-3
37110-93J11	172-4		206-6-1		201-3-3
	173-4		207-6-1		201-17-3
	126-47	37141-99E10	126-7-2		202-6-3
	127-47		127-7-2		203-6-3
	128-47		128-7-2		204-6-3
	129-47		129-7-2		205-6-3
	202-46		168-5-2		206-6-3
	203-46		169-5-2		207-6-3
	204-46		170-5-2	37141-99E30	126-7-4
	205-46		171-5-2		127-7-4

PART NO.	FIG.NO.-REF.NO.	PART NO.	FIG.NO.-REF.NO.	PART NO.	FIG.NO.-REF.NO.
	128-7-4		204-6-5		200-3-7
	129-7-4		205-6-5		200-17-7
	168-5-4		206-6-5		201-3-7
	169-5-4		207-6-5		201-17-7
	170-5-4	37141-99E50	126-7-6		202-6-7
	171-5-4		127-7-6		203-6-7
	172-5-4		128-7-6		204-6-7
	173-5-4		129-7-6		205-6-7
	196-3-4		168-5-6		206-6-7
	196-17-4		169-5-6		207-6-7
	197-3-4		170-5-6	37141-99E70	126-7-8
	197-17-4		171-5-6		127-7-8
	198-3-4		172-5-6		128-7-8
	198-17-4		173-5-6		129-7-8
	199-3-4		196-3-6		168-5-8
	199-17-4		196-17-6		169-5-8
	200-3-4		197-3-6		170-5-8
	200-17-4		197-17-6		171-5-8
	201-3-4		198-3-6		172-5-8
	201-17-4		198-17-6		173-5-8
	202-6-4		199-3-6		196-3-8
	203-6-4		199-17-6		196-17-8
	204-6-4		200-3-6		197-3-8
	205-6-4		200-17-6		197-17-8
	206-6-4		201-3-6		198-3-8
	207-6-4		201-17-6		198-17-8
37141-99E40	126-7-5		202-6-6		199-3-8
	127-7-5		203-6-6		199-17-8
	128-7-5		204-6-6		200-3-8
	129-7-5		205-6-6		200-17-8
	168-5-5		206-6-6		201-3-8
	169-5-5		207-6-6		201-17-8
	170-5-5	37141-99E60	126-7-7		202-6-8
	171-5-5		127-7-7		203-6-8
	172-5-5		128-7-7		204-6-8
	173-5-5		129-7-7		205-6-8
	196-3-5		168-5-7		206-6-8
	196-17-5		169-5-7		207-6-8
	197-3-5		170-5-7	37141-99E80	126-7-9
	197-17-5		171-5-7		127-7-9
	198-3-5		172-5-7		128-7-9
	198-17-5		173-5-7		129-7-9
	199-3-5		196-3-7		168-5-9
	199-17-5		196-17-7		169-5-9
	200-3-5		197-3-7		170-5-9
	200-17-5		197-17-7		171-5-9
	201-3-5		198-3-7		172-5-9
	201-17-5		198-17-7		173-5-9
	202-6-5		199-3-7		196-3-9
	203-6-5		199-17-7		196-17-9

PART NO.	FIG.NO.-REF.NO.	PART NO.	FIG.NO.-REF.NO.	PART NO.	FIG.NO.-REF.NO.
	197-3-9		170-5-11	37143-99E00	126-8
	197-17-9		171-5-11		127-8
	198-3-9		172-5-11		128-8
	198-17-9		173-5-11		129-8
	199-3-9		196-3-11		168-6
	199-17-9		196-17-11		169-6
	200-3-9		197-3-11		170-6
	200-17-9		197-17-11		171-6
	201-3-9		198-3-11		172-6
	201-17-9		198-17-11		173-6
	202-6-9		199-3-11		196-4
	203-6-9		199-17-11		196-18
	204-6-9		200-3-11		197-4
	205-6-9		200-17-11		197-18
	206-6-9		201-3-11		198-4
	207-6-9		201-17-11		198-18
37141-99E90	126-7-10		202-6-11		199-4
	127-7-10		203-6-11		199-18
	128-7-10		204-6-11		200-4
	129-7-10		205-6-11		200-18
	168-5-10		206-6-11		201-4
	169-5-10		207-6-11		201-18
	170-5-10	37141-99E80	126-7-12		202-7
	171-5-10		127-7-12		203-7
	172-5-10		128-7-12		204-7
	173-5-10		129-7-12		205-7
	196-3-10		168-5-12		206-7
	196-17-10		169-5-12		207-7
	197-3-10		170-5-12	37149-93J00	126-9
	197-17-10		171-5-12		127-9
	198-3-10		172-5-12		128-9
	198-17-10		173-5-12		129-9
	199-3-10		196-3-12		168-7
	199-17-10		196-17-12		169-7
	200-3-10		197-3-12		170-7
	200-17-10		197-17-12		171-7
	201-3-10		198-3-12		172-7
	201-17-10		198-17-12		173-7
	202-6-10		199-3-12		196-5
	203-6-10		199-17-12		196-19
	204-6-10		200-3-12		197-5
	205-6-10		200-17-12		197-19
	206-6-10		201-3-12		198-5
	207-6-10		201-17-12		198-19
37141-99EA0	126-7-11		202-6-12		199-5
	127-7-11		203-6-12		199-19
	128-7-11		204-6-12		200-5
	129-7-11		205-6-12		200-19
	168-5-11		206-6-12		201-5
	169-5-11		207-6-12		201-19

PART NO.	FIG.NO.-REF.NO.	PART NO.	FIG.NO.-REF.NO.	PART NO.	FIG.NO.-REF.NO.
	202-8	37726-90J10	80-3		169-10
	203-8		81-3		170-10
	204-8		82-3		171-10
	205-8		83-3		172-10
	206-8		84-3		173-10
37210-93J00	207-8		85-3		196-21
	196-13		86-3		197-21
	197-13		87-3		198-21
	198-13		88-3		199-21
	199-13		89-3		200-21
	200-13	37803-93J03	196-9		201-21
	201-13		197-9		202-10
37212-93J00	196-14		198-9		203-10
	197-14		199-9		204-10
	198-14		200-9		205-10
	199-14		201-9		206-10
	200-14	37805-93J00	196-11		207-10
	201-14		197-11	37825-99E00	196-10
37721-93J00	80-1		198-11		197-10
	81-1		199-11		198-10
	82-1		200-11		199-10
	83-1		201-11		200-10
	84-1	37820-87L00	126-10		201-10
	85-1		127-10	37826-92E00	126-12
	86-1		128-10		127-12
	87-1		129-10		128-12
	88-1		202-9		129-12
37721-93J91	89-1		203-9		168-11
	168-8		204-9		169-11
	169-8		205-9		170-11
	170-8		206-9		171-11
	171-8	37820-93J03	207-9		172-11
	172-8		168-9		173-11
	173-8		169-9		196-22
37721-95500	180-11		170-9		197-22
	181-11		171-9		198-22
	182-11		172-9		199-22
	183-11		173-9		200-22
	184-11		196-20		201-22
	185-11		197-20		202-11
37726-87L00	80-4		198-20		203-11
	81-4		199-20		204-11
	82-4		200-20		205-11
	83-4		201-20		206-11
	84-4	37820-99E01	78-14		207-11
	85-4	37823-92E01	126-11	37835-95D00	126-48
	86-4		127-11		127-48
	87-4		128-11		128-48
	88-4		129-11		129-48
	89-4		168-10		202-47

PART NO.	FIG.NO.-REF.NO.	PART NO.	FIG.NO.-REF.NO.	PART NO.	FIG.NO.-REF.NO.
	203-47		129-15		199-12
	204-47		202-14		200-12
	205-47		203-14		201-12
	206-47		204-14	37859-90J00	168-54
	207-47		205-14		169-54
37850-87L00	126-14		206-14		170-54
	127-14	37852-88L90	207-14		171-54
	128-14		126-50		172-54
	129-14		127-50		173-54
	202-13		128-50	37860-87L00	147-39
	203-13		129-50		148-39
	204-13		202-49		151-39
	205-13		203-49		152-39
	206-13		204-49		153-39
	207-13		205-49		154-39
37850-90J05	168-12		206-49	37861-87L10	126-51
	169-12		207-49		127-51
	170-12	37853-88L90	126-35		128-51
	171-12		127-35		129-51
	172-12		128-35		202-50
	173-12		129-35		203-50
37850-93J10	174-4		202-34		204-50
	175-4		203-34		205-50
	176-4		204-34		206-50
	177-4		205-34		207-50
	178-4		206-34	37862-87L00	147-40
	179-4		207-34		148-40
37850-99E04	80-6	37854-88L90	126-59		151-40
	81-6		127-59		152-40
	82-6		128-59		153-40
	83-6		129-59		154-40
	84-6		202-74	37864-88L90	126-52
	85-6		203-74		127-52
	86-6		204-74		128-52
	87-6		205-74		129-52
	88-6		206-74		202-51
	89-6		207-74		203-51
37851-88L90	126-49	37855-88L90	126-58		204-51
	127-49		127-58		205-51
	128-49		128-58		206-51
	129-49		129-58		207-51
	202-48		202-73	38100-87L01	101-9
	203-48		203-73		102-1
	204-48		204-73	38410-93J12	80-9
	205-48		205-73		81-9
	206-48		206-73		82-9
	207-48		207-73		83-9
37852-87J00	126-15	37855-99E00	196-12		84-9
	127-15		197-12		85-9
	128-15		198-12		86-9

PART NO.	FIG.NO.-REF.NO.	PART NO.	FIG.NO.-REF.NO.	PART NO.	FIG.NO.-REF.NO.
38415-93J00	87-9	38860-76F01 39950-87L00	207-12	41230-87L00	96-22
	88-9		79-9		97-22
	89-9		79-10		98-22
	80-10		147-32		99-18
	81-10		148-32		100-18
	82-10		149-30		91-23
	83-10		150-30		92-23
	84-10		151-32		93-19
	85-10		152-32		94-19
	86-10		153-32		95-23
38500-93J00	87-10	39950-88L00	154-32	41233-95E10	96-23
	88-10		155-30		97-23
	89-10		156-30		98-23
	186-3		213-16		99-19
	187-3				100-19
	188-1				91-24
	189-1				92-24
	190-3				93-20
	191-3				94-20
	192-3				95-24
38500-93J90	193-3	41111-87L10-0EP	90-1	41234-93J11	96-24
	194-1	41121-87L10-0EP	90-2		97-24
	195-1	41130-87L11	90-3		98-24
	126-13	41135-93J11	90-4		99-20
	127-13	41153-94500	90-10		100-20
	128-13	41161-94400	131-1		91-25
	129-13		132-1		92-25
	168-13		133-2		93-21
	169-13		134-2		94-21
	170-13		135-1		95-25
38500-93J00	171-13	41220-93J11	136-1	43111-87L20-0EP	96-25
	172-13		137-1		97-25
	173-13		138-1		98-25
	196-7		139-2		99-21
	196-25		140-2		100-21
	197-7		91-21		91-5
	197-25		92-21		92-5
	198-7		93-17		93-5
	198-25		94-17		94-5
	199-7		95-21		95-5
38500-93J00	199-25	41224-95E01	96-21	43211-93J00	96-5
	200-7		97-21		97-5
	200-25		98-21		98-5
	201-7		99-17		99-5
	201-25		100-17		100-5
	202-12		91-22		91-6
	203-12		92-22		92-6
	204-12		93-18		93-6
	205-12		94-18		94-6
	206-12		95-22		95-6

PART NO.	FIG.NO.-REF.NO.	PART NO.	FIG.NO.-REF.NO.	PART NO.	FIG.NO.-REF.NO.		
38415-93J00	96-6	43768-88L00	207-59	48864-96J10	101-14		
	97-6		126-78				
	98-6		127-78				
	99-6		128-78				
	100-6		129-78				
	91-7		202-60				
	92-7		203-60				
	93-7		204-60				
	94-7		205-60				
	95-7		206-60				
38500-93J00	96-7	43770-99E03	207-60	50000	51111-87L00-0EP	103-1	
	97-7		126-75		51115-87L00	103-2	
	98-7		127-75		51117-87L00	103-3	
	99-7		128-75		51122-87L00	103-20	
	100-7		129-75		51123-87L00	103-21	
	91-8		202-70			208-9	
	92-8		203-70		51211-87L10	103-4	
	93-8		204-70			208-10	
	94-8		205-70		52111-87L00-0EP	104-1	
	95-8		206-70		52131-87L00-0EP	104-4	
38500-93J90	96-8	43776-87L00	207-70	50000	52331-87L00	208-11	
	97-8		126-73		52332-87L10	105-11	
	98-8		127-73		54114-90J01	104-17	
	99-8		128-73		54120-87L10	103-23	
	100-8		129-73		54122-87L00	103-24	
	91-17		202-61		54130-87L00	103-25	
	92-17		203-61		54137-87L00-0EP	103-29	
	95-17		204-61		54140-87L10	103-32	
	96-17		205-61		54151-87L00	104-12	
	97-17		206-61		54160-87L10	104-13	
38500-93J00	98-17	43761-88L01-0EP	207-61	50000	54166-95J02	103-26	
	126-1		48000-87L03		101-1	104-14	
	127-1		48121-90J00		101-25	54167-87L10	104-16
	128-1		48321-90J00		101-19	54180-88L00	104-22
	129-1		48325-87L00		101-21	54211-90J01-0EP	104-18
	202-58		48326-95E00		101-20	54221-87L00-0EP	104-19
	203-58		48400-87L02		101-2	54231-87L00-0EP	104-20
	204-58		48502-87L02		101-10	55110-87L30-0EP	105-1
	205-58		48557-90J00		101-6	55125-90J01	105-4
	206-58		48571-87L00		101-4	55127-87D00	105-12
38500-93J00	207-58	43762-88L00	207-58	50000	48572-87L00	157-4	
	126-77		48582-95E01		101-11	158-4	
	127-77		48583-95E00		101-12	159-4	
	128-77		48585-95E00		101-13	160-4	
	129-77		48588-90J00		101-15	161-4	
	202-59		48611-87L00		101-3	162-4	
	203-59		48862-87J20		101-7	163-4	
	204-59		48862-90J21		101-18	164-4	
	205-59		48862-92J20		101-16	165-4	
	206-59		48862-92J30		101-17	166-4	

PART NO.	FIG.NO.-REF.NO.	PART NO.	FIG.NO.-REF.NO.	PART NO.	FIG.NO.-REF.NO.
55320-94900	90-8	60000		61422-87L80	125-13
55321-87J00	1-7			116-13	
	27-6			117-13	
	104-10			118-13	
	105-8-1			119-13	
55321-87J10	105-8-2	61112-99E01	106-1	61431-87L21-0EP	116-2
55321-94910	90-5		107-1		117-2
55333-87L00	105-10		108-1		118-2
56120-87L30-0EP	74-24		109-1		119-2
56130-87L01	74-30		110-1		120-2
57110-87L20	74-1-1		111-1		121-2
57110-87L30	74-1-2		112-1		122-2
57130-87E02	104-9		113-1		123-2
57133-87L01	74-2		114-1		124-2
57300-87880	74-5		115-1		125-2
57500-87873	74-8	61124-87L00	106-29	61435-87L60	120-14
57500-87882	74-13		107-29		121-14
57610-87L00	74-15		108-29	61435-87L70	122-14
57621-87L00	74-16		109-29		123-14
57630-90J00	105-29		110-29		124-14
57631-87L00	74-17		111-29		125-14
57632-87L00	105-24		112-29	61435-87L80	116-14
57633-90J02	105-25		113-29		117-14
58100-87LA0-019	105-20-1		114-29		118-14
58100-87LB0-019	105-20-2		115-29		119-14
58100-87LC0-019	105-20-3	61134-87L00	106-2	61439-87L00	116-3
58100-87LD0-019	105-20-4		107-2		117-3
58100-87LE0-019	105-20-5		108-2		118-3
58100-87LF0-019	105-20-6		109-2		119-3
58100-90JA0-019	105-20-7		110-2		120-3
58100-90JB0-019	105-20-8		111-2		121-3
58100-90JC0-019	105-20-9		112-2		122-3
58100-90JD0-019	105-20-10		113-2		123-3
58100-90JE0-019	105-20-11		114-2		124-3
58105-90J00	105-21		115-2		125-3
58120-90J00	105-23	61400-87Y80-0EP	116-1	61443-87L20	116-9
58200-90J00	105-22-1		117-1		117-9
58200-90J10	105-22-2		118-1		118-9
58200-90J20	105-22-3		119-1		119-9
58200-90J30	105-22-4		120-1		120-9
58200-92J40	105-20-12		121-1		121-9
58200-92J50	105-20-13		122-1		122-9
58200-92J60	105-20-14		123-1		123-9
58200-92J70	105-20-15		124-1		124-9
58200-92J80	105-20-16		125-1		125-9
58200-92J90	105-20-17	61422-87L60	120-13	61446-87L12	116-11
			121-13		117-11
		61422-87L70	122-13		118-11
			123-13		119-11
			124-13		120-11

PART NO.	FIG.NO.-REF.NO.	PART NO.	FIG.NO.-REF.NO.	PART NO.	FIG.NO.-REF.NO.
					121-11
					122-11
					123-11
					124-11
					125-11
61453-87L20	116-10	61493-96J00	3-8	61641-87L00	111-20
	117-10		4-8		112-20
	118-10		5-8		113-20
	119-10		6-8		114-20
	120-10		7-8		115-20
	121-10		8-8		116-18
	122-10		9-8		107-18
	123-10		10-8		108-18
	124-10		11-8		109-18
	125-10		12-8		110-18
61458-99E70	116-15	61494-87L00	3-9	61645-87L00	115-18
	117-15		4-9		106-21
	118-15		5-9		107-21
	119-15		6-9		108-21
	120-15		7-9		109-21
	121-15		8-9		110-21
	122-15		9-9		111-21
	123-15		10-9		112-21
	124-15		11-9		113-21
	125-15		12-9		114-21
61471-98J00	116-17	61610-93J00	116-6	61673-93J11	115-21
	117-17		117-6		106-22
	118-17		118-6		107-22
	119-17		119-6		108-22
	120-17		120-6		109-22
	121-17		121-6		110-22
	122-17		122-6		111-22
	123-17		123-6		112-22
	124-17		124-6		113-22
	125-17		125-6		114-22
61472-93E32	4-6	61632-93J00	106-17	61811-87L20-0EP	115-22
	6-6		107-17		106-3
	8-6		108-17		107-3
	10-6		109-17		108-3
	12-6		110-17		109-3
61472-93E40	3-6		111-17		110-3
	5-6		112-17		111-3
	7-6		113-17		112-3
	9-6		114-17		113-3
	11-6		115-17		114-3
61476-87L00	116-5	61633-87L00	106-20	61821-87L20-0EP	115-3
	117-5		107-20		106-4
	118-5		108-20		107-4
	119-5		109-20		108-4
	120-5		110-20		109-4

PART NO.	FIG.NO.-REF.NO.	PART NO.	FIG.NO.-REF.NO.	PART NO.	FIG.NO.-REF.NO.
	111-4		203-66		203-17
	112-4		204-66		204-17
	113-4		205-66		205-17
	114-4		206-66		206-17
	115-4		207-66		207-17
61827-87L00	106-9	63121-88L00	126-16	63223-92D00	126-19
	107-9		127-16		127-19
	108-9		128-16		128-19
	109-9		129-16		129-19
	110-9		202-15		202-18
	111-9		203-15		203-18
	112-9		204-15		204-18
	113-9		205-15		205-18
	114-9		206-15		206-18
	115-9		207-15		207-18
61831-87L20-0EP	106-11	63132-88L00	126-76	63225-88L00	126-20
	107-11		127-76		127-20
	108-11		128-76		128-20
	109-11		129-76		129-20
	110-11		202-71		202-19
	111-11		203-71		203-19
	112-11		204-71		204-19
	113-11		205-71		205-19
	114-11		206-71		206-19
	115-11		207-71		207-19
63002-87L11-0EP	202-1	63210-88L00	126-17	63227-93200	126-21
	203-1		127-17		127-21
	204-1		128-17		128-21
	205-1		129-17		129-21
	206-1		202-16		202-20
	207-1		203-16		203-20
63110-87L10-0EP	126-2		204-16		204-20
	127-2		205-16		205-20
	128-2		206-16		206-20
	129-2		207-16		207-20
63111-88L00-0EP	126-64	63215-93110	126-72	63235-88L00	126-22
	127-64		127-72		127-22
	128-64		128-72		128-22
	129-64		129-72		129-22
	202-79		202-68		202-21
	203-79		203-68		203-21
	204-79		204-68		204-21
	205-79		205-68		205-21
	206-79		206-68		206-21
	207-79		207-68		207-21
63115-88L00	126-69	63221-88L00	126-18	63244-99J00	126-53
	127-69		127-18		127-53
	128-69		128-18		128-53
	129-69		129-18		129-53
	202-66		202-17		202-52

PART NO.	FIG.NO.-REF.NO.	PART NO.	FIG.NO.-REF.NO.	PART NO.	FIG.NO.-REF.NO.
	203-52		203-23		203-31
	204-52		204-23		204-31
	205-52		205-23		205-31
	206-52		206-23		206-31
	207-52		207-23		207-31
63245-99J00	126-54	63251-87J00	126-25	63262-87J00	126-29
	127-54		127-25		127-29
	128-54		128-25		128-29
	129-54		129-25		129-29
	202-53		202-24		202-28
	203-53		203-24		203-28
	204-53		204-24		204-28
	205-53		205-24		205-28
	206-53		206-24		206-28
	207-53		207-24		207-28
63246-88L00	126-23	63251-88L90	126-57	63271-87J00	126-30
	127-23		127-57		127-30
	128-23		128-57		128-30
	129-23		129-57		129-30
	202-22		202-72		202-29
	203-22		203-72		203-29
	204-22		204-72		204-29
	205-22		205-72		205-29
	206-22		206-72		206-29
	207-22		207-72		207-29
63247-99J00	126-63	63258-88L00	126-60	63272-87J00	126-27
	127-63		127-60		127-27
	128-63		128-60		128-27
	129-63		129-60		129-27
	202-78		202-75		202-26
	203-78		203-75		203-26
	204-78		204-75		204-26
	205-78		205-75		205-26
	206-78		206-75		206-26
	207-78		207-75		207-26
63248-99J00	126-31	63260-88L00	126-26	63273-87J00	126-28
	127-31		127-26		127-28
	128-31		128-26		128-28
	129-31		129-26		129-28
	202-30		202-25		202-27
	203-30		203-25		203-27
	204-30		204-25		204-27
	205-30		205-25		205-27
	206-30		206-25		206-27
	207-30		207-25		207-27
63250-88L00	126-24	63261-87J00	126-32	63274-87J00	126-33
	127-24		127-32		127-33
	128-24		128-32		128-33
	129-24		129-32		129-33
	202-23		202-31		202-32

PART NO.	FIG.NO.-REF.NO.	PART NO.	FIG.NO.-REF.NO.	PART NO.	FIG.NO.-REF.NO.
	203-32		203-35		173-15
	204-32		204-35	67220-95630	168-18
	205-32		205-35		169-18
	206-32		206-35		170-18
	207-32		207-35		171-18
63610-87J00	126-34	65000-95D01	130-1		172-18
	127-34	65520-95D00	130-2		173-18
	128-34	65561-95D00	130-3	67221-92E00	180-8
	129-34	65700-90J14	130-11		181-8
	202-33	65740-95D01	130-7		182-8
	203-33	65750-95500	130-12		183-8
	204-33	65770-90J11	130-13		184-8
	205-33	65831-95D00	130-4		185-8
	206-33	65890-95D00	130-5	67222-92E00	180-2
	207-33	65892-95D00	130-6		181-2
63611-88L00	126-43	67200-93J06	168-1		182-2
	127-43		169-1		183-2
	128-43		170-1		184-2
	129-43		171-1		185-2
	202-42		172-1	67223-92E00	180-3
	203-42		173-1		181-3
	204-42	67200-93J13	174-1		182-3
	205-42		175-1		183-3
	206-42		176-1		184-3
	207-42		177-1		185-3
63612-87J00	126-44		178-1	67223-99E10	168-19
	127-44		179-1		169-19
	128-44		180-1		170-19
	129-44		181-1		171-19
	202-43		182-1		172-19
	203-43		183-1		173-19
	204-43		184-1	67224-92E00	180-9
	205-43		185-1		181-9
	206-43	67211-93J00	174-27		182-9
	207-43		175-27		183-9
63612-88L10	126-55		176-27		184-9
	127-55		177-27		185-9
	128-55		178-27	67226-92E00	180-15
	129-55		179-27		181-15
	202-54	67212-95600	168-14		182-15
	203-54		169-14		183-15
	204-54		170-14		184-15
	205-54		171-14		185-15
	206-54		172-14	67226-92E10	180-16
	207-54		173-14		181-16
63626-88L00	126-36	67213-92E00	168-15		182-16
	127-36		169-15		183-16
	128-36		170-15		184-16
	129-36		171-15		185-16
	202-35		172-15	67227-92E00	180-24

PART NO.	FIG.NO.-REF.NO.	PART NO.	FIG.NO.-REF.NO.	PART NO.	FIG.NO.-REF.NO.
	181-24		183-26		185-45
	182-24		184-26	67240-92E00	180-17
	183-24		185-26		181-17
	184-24	67234-92E00	180-22		182-17
	185-24		181-22		183-17
67228-92E00	180-18		182-22		184-17
	181-18		183-22		185-17
	182-18		184-22	67241-92E10	180-43
	183-18		185-22		181-43
	184-18	67235-92E00	180-27		182-43
	185-18		181-27		183-43
67229-95600	168-20		182-27		184-43
	169-20		183-27		185-43
	170-20		184-27	67241-99E10	168-23
	171-20		185-27		169-23
	172-20	67236-92E00	180-32		170-23
	173-20		181-32		171-23
67230-92E00	180-20		182-32		172-23
	181-20		183-32		173-23
	182-20		184-32	67243-92E00	180-44
	183-20		185-32		181-44
	184-20	67237-92E01	180-33		182-44
	185-20		181-33		183-44
67231-92E00	180-41		182-33		184-44
	181-41		183-33		185-44
	182-41		184-33	67243-95600	168-24
	183-41		185-33		169-24
	184-41	67238-87D00	168-22		170-24
	185-41		169-22		171-24
67232-95600	168-21		170-22		172-24
	169-21		171-22		173-24
	170-21		172-22	67244-95600	168-25
	171-21		173-22		169-25
	172-21	67238-92E00	180-34		170-25
	173-21		181-34		171-25
	180-42		182-34		172-25
	181-42		183-34		173-25
	182-42		184-34	67245-92E00	180-23
	183-42		185-34		181-23
	184-42	67239-92E00	180-35		182-23
	185-42		181-35		183-23
67232-95620	180-28		182-35		184-23
	181-28		183-35		185-23
	182-28		184-35	67245-95600	168-26
	183-28		185-35		169-26
	184-28	67239-92E10	180-45		170-26
	185-28		181-45		171-26
67233-92E00	180-26		182-45		172-26
	181-26		183-45		173-26
	182-26		184-45	67246-92E00	180-36

PART NO.	FIG.NO.-REF.NO.	PART NO.	FIG.NO.-REF.NO.	PART NO.	FIG.NO.-REF.NO.
	181-36		183-40		173-35
	182-36		184-40	67263-93J00	174-3
	183-36		185-40		175-3
	184-36	67255-99E00	168-30		176-3
	185-36		169-30		177-3
67251-93J00	174-12		170-30		178-3
	175-12		171-30	67264-95600	179-3
	176-12		172-30		168-37
	177-12		173-30		169-37
	178-12	67256-95600	168-31		170-37
	179-12		169-31		171-37
67251-99E10	168-27		170-31		172-37
	169-27		171-31		173-37
	170-27		172-31	67267-93J00	168-38
	171-27		173-31		169-38
	172-27	67257-92E00	174-11		170-38
67252-92E10	173-27		175-11		171-38
	180-39		176-11		172-38
	181-39		177-11		173-38
	182-39		178-11	67269-92E00	180-29
	183-39		179-11		181-29
	184-39	67257-99E00	168-32		182-29
	185-39		169-32		183-29
67252-95600	168-28		170-32		184-29
	169-28		171-32		185-29
	170-28		172-32	67271-92E00	174-26
	171-28		173-32		175-26
	172-28	67258-99E00	168-33		176-26
	173-28		169-33		177-26
67253-92E00	174-15		170-33		178-26
	175-15		171-33		179-26
	176-15		172-33	67273-92E00	174-23
	177-15		173-33		175-23
	178-15	67259-87D00	168-34		176-23
	179-15		169-34		177-23
67253-92E10	180-38		170-34		178-23
	181-38		171-34		179-23
	182-38		172-34	67273-95600	168-39
	183-38		173-34		169-39
	184-38	67261-93J00	174-2		170-39
	185-38		175-2		171-39
67253-95600	168-29		176-2		172-39
	169-29		177-2		173-39
	170-29		178-2		174-22
	171-29		179-2		175-22
	172-29	67261-99E00	168-35		176-22
	173-29		169-35		177-22
	180-40		170-35		178-22
	181-40		171-35		179-22
	182-40		172-35	67274-92E00	174-24

PART NO.	FIG.NO.-REF.NO.	PART NO.	FIG.NO.-REF.NO.	PART NO.	FIG.NO.-REF.NO.
	175-24		183-6		181-5
	176-24		184-6		182-5
	177-24		185-6		183-5
	178-24	67288-92E20	174-7		184-5
	179-24		175-7		185-5
67275-95600	168-40		176-7	67294-92E00	180-10
	169-40		177-7		181-10
	170-40		178-7		182-10
	171-40		179-7		183-10
	172-40	67288-92E30	174-14		184-10
	173-40		175-14		185-10
	174-21		176-14	67294-95600	168-43
	175-21		177-14		169-43
	176-21		178-14		170-43
	177-21		179-14		171-43
67281-93J00	178-21	67288-92E40	174-10		172-43
	179-21		175-10		173-43
	174-17		176-10	67295-92E00	174-8
	175-17		177-10		175-8
	176-17		178-10		176-8
	177-17		179-10		177-8
67286-92E00	178-17	67291-92E00	180-7		178-8
	179-17		181-7		179-8
	180-19		182-7	67295-92E10	174-5
	181-19		183-7		175-5
	182-19		184-7		176-5
	183-19		185-7		177-5
	184-19	67291-92E10	180-37		178-5
	185-19		181-37		179-5
67287-92E00	174-20		182-37	67296-88D10	174-6
	175-20		183-37		175-6
	176-20		184-37		176-6
	177-20		185-37		177-6
	178-20	67292-87J00	126-37		178-6
	179-20		127-37		179-6
67288-92E00	168-41		128-37		180-13
	169-41		129-37		180-30
	170-41		202-36		181-13
	171-41		203-36		181-30
	172-41		204-36		182-13
	173-41		205-36		182-30
	180-4		206-36		183-13
	181-4		207-36		183-30
	182-4	67292-94300	168-42		184-13
	183-4		169-42		184-30
	184-4		170-42		185-13
	185-4		171-42		185-30
67288-92E10	180-6		172-42	67296-90J00	168-44
	181-6		173-42		169-44
	182-6		180-5		170-44

PART NO.	FIG.NO.-REF.NO.	PART NO.	FIG.NO.-REF.NO.	PART NO.	FIG.NO.-REF.NO.
67296-92E11	171-44	67296-94310	173-45	67346-87L00	115-33
	172-44		168-36		106-34
	173-44		169-36		107-34
	168-17		170-36		108-34
	169-17		171-36		109-34
67296-92E20	170-17	67296-95600	172-36	67350-87L00	110-34
	171-17		173-36		111-34
	172-17		168-46		112-34
	173-17		169-46		113-34
	180-12		170-46		114-34
67296-92E30	181-12	67296-95610	171-46	67467-89J01	115-34
	182-12		172-46		106-36
	183-12		173-46		107-36
	184-12		168-47		108-36
	185-12		169-47		109-36
67296-92E60	180-14	67297-95600	170-47	67500-93J00	110-36
	181-14		171-47		111-36
	182-14		172-47		112-36
	183-14		173-47		113-36
	184-14		174-25		114-36
67296-92E70	185-14	67341-87L00	175-25	67700-87L01	115-36
	174-18		176-25		131-7
	175-18		177-25		132-7
	176-18		178-25		133-8
	177-18		179-25		134-8
67296-94300	178-18	67345-87L00	168-48	67701-87L01	135-7
	179-18		169-48		136-7
	174-13		170-48		137-7
	175-13		171-48		138-7
	176-13		172-48		139-8
67296-94300	177-13	67345-87L00	173-48	67701-87L01	140-8
	178-13		106-31		174-29
	179-13		107-31		175-29
	174-9		108-31		176-29
	174-28		109-31		177-29
67296-94300	175-9	67345-87L00	110-31	67701-87L01	178-29
	175-28		111-31		179-29
	176-9		112-31		209-1
	176-28		113-31		210-1
	177-9		114-31		211-1
67296-94300	177-28	67345-87L00	115-31	67701-87L01	212-1
	178-9		106-33		133-1
	178-28		107-33		134-1
	179-9		108-33		139-1
	179-28		109-33		140-1
67296-94300	168-45	67345-87L00	110-33	67701-87L01	131-2
	169-45		111-33		132-2
	170-45		112-33		133-3
	171-45		113-33		134-3
	172-45		114-33		135-2

PART NO.	FIG.NO.-REF.NO.	PART NO.	FIG.NO.-REF.NO.	PART NO.	FIG.NO.-REF.NO.	
67721-87L00	136-2	68111-18G20	121-19	68111-18G20	123-18	
	137-2		122-19		124-18	
	138-2		123-19		125-18	
	139-3		124-19			
	140-3		125-19			
67725-99E10	131-3	69711-93E10	116-12	69711-93E10	00000	
	132-3		117-12			
	133-4		118-12			
	134-4		119-12			
	135-3		120-12			
67728-99E00	136-3	68165-16B00-13L	121-12	68165-16B00-13L	01421-08257	
	137-3		122-12		25-4	
	138-3		123-12		01547-06167	76-9
	139-4		124-12		01547-06207	77-9
	140-4		125-12		01547-06257	1-19
67728-99E00	131-4	69711-93E10	168-49	69711-93E10	01547-06457	
	132-4		169-49		1-20	
	133-5		170-49		01550-05107	106-27
	134-5		171-49			107-27
	135-4		172-49			108-27
67728-99E00	136-4	69711-93E10	173-49	69711-93E10	109-27	
	137-4		3-7		110-27	
	138-4		4-7		111-27	
	139-5		5-7		112-27	
	140-5		6-7		113-27	
67728-99E00	131-5	69711-93E10	7-7	69711-93E10	114-27	
	132-5		8-7		115-27	
	133-6		9-7		116-27	
	134-6		10-7		117-27	
	135-5		11-7		118-27	
67728-99E00	136-5	69711-93E10	12-7	69711-93E10	119-27	
	137-5		12-7		120-27	
	138-5				121-27	
	139-6				122-27	
	140-6				123-27	
67728-99E00	131-6	90000		90000	112-28	
	132-6				113-28	
	133-7				114-28	
	134-7				115-28	
	135-6				116-28	
67728-99E00	136-6	99011-87L20-054	116-18-1	99011-87L20-054	01550-06127	
	137-6		120-18-1		2-12	
	138-6		122-18-1		28-33	
	139-7		116-18-2		29-33	
	140-7		117-18		30-33	
68110-87L00	116-19	99011-87L20-059	118-18	99011-87L20-059	31-33	
	117-19		119-18		32-33	
	118-19		120-18-2		33-33	
	119-19		121-18		34-33	
	120-19		122-18-2		35-33	
68110-87L00		99011-87L20-059		99011-87L20-059	36-33	
					37-33	
					71-20	
					76-11	
					79-23	
68110-87L00		99011-87L20-059		99011-87L20-059	79-31	

PART NO.	FIG.NO.-REF.NO.	PART NO.	FIG.NO.-REF.NO.	PART NO.	FIG.NO.-REF.NO.
	80-5		69-4		68-14
	80-11		75-22		69-14
	81-5		106-32	01550-06407	72-14
	81-11		107-32	01550-06507	60-3
	82-5		108-32		61-3
	82-11		109-32		62-3
	83-5		110-32		63-3
	83-11		111-32		64-3
	84-5		112-32		65-3
	84-11		113-32		66-3
	85-5		114-32		67-3
	85-11		115-32		68-3
	86-5		116-4		69-3
	86-11		117-4	01550-06557	60-5
	87-5		118-4		61-5
	87-11		119-4		62-5
	88-5		120-4		63-5
	88-11		121-4		64-5
	89-5		122-4		65-5
	89-11		123-4		66-5
	116-8		124-4		67-5
	117-8		125-4		68-5
	118-8	01550-0616A	70-7		69-5
	119-8	01550-06207	1-28	01550-08207	1-9
	120-8		72-8		2-2
	121-8		103-15		27-8
	122-8	01550-0620A	14-12		75-23
	123-8	01550-06257	48-2		106-10
	124-8		77-2		107-10
	125-8		77-5		108-10
01550-0612A	15-6	01550-06307	3-2		109-10
	16-6		4-2		110-10
	17-6		5-2		111-10
	18-6		6-2		112-10
	19-6		7-2		113-10
	20-6		8-2		114-10
	21-6		9-2		115-10
	22-6		10-2	01550-08257	38-12
	23-6		11-2		39-12
	24-6		12-2		40-12
01550-06167	48-9		27-3		41-12
	60-4		59-7		42-12
	61-4	01550-06357	60-14		43-12
	62-4		61-14		44-12
	63-4		62-14		45-12
	64-4		63-14		46-12
	65-4		64-14		47-12
	66-4		65-14	01550-0825A	14-6
	67-4		66-14		103-22
	68-4		67-14	01550-08307	25-5

PART NO.	FIG.NO.-REF.NO.	PART NO.	FIG.NO.-REF.NO.	PART NO.	FIG.NO.-REF.NO.
	60-15	03121-0516A	196-24		169-50
	61-15		197-24		170-50
	62-15		198-24		171-50
	63-15		199-24		172-50
	64-15		200-24		173-50
	65-15		201-24	09100-12090	90-11-2
	66-15	03522-05169	126-62	09100-12091	90-11-1
	67-15		127-62	09103-06093	78-13
	68-15		128-62	09103-06220	70-2
	69-15		129-62	09103-06266	1-2
	70-13		202-77	09103-06281	1-8
01550-08357	75-24		203-77		27-7
01550-0835A	14-9		204-77		38-6
01550-08407	1-12		205-77		39-6
	2-9		206-77		40-6
01550-08457	25-6		207-77		41-6
01570-06127	106-38	03542-06209	3-4		42-6
	107-38		4-4		43-6
	108-38		5-4		44-6
	109-38		6-4		45-6
	110-38		7-4		46-6
	111-38		8-4		47-6
	112-38		9-4		104-11
	113-38		10-4		105-9
	114-38		11-4	09103-06282	76-12
	115-38		12-4	09103-16004	76-2
02112-0408A	28-15	04211-11129	103-8	09106-05030	76-7
	30-15		103-9	09108-10115	104-5
	32-15	04211-13189	1-13	09108-10156	91-18
	34-15	04221-04089	13-6		92-18
	36-15	04221-05109	15-7		95-18
02112-0612A	1-22		16-7		96-18
02112-34167	25-9		17-7		97-18
02142-0408B	28-24		18-7		98-18
	30-24		19-7	09108-10157	104-6
	32-24		20-7	09116-05010	72-15
	34-24		21-7	09116-06121	59-8
	36-24		22-7		71-7
02142-06167	79-22		23-7		90-9
02162-05207	78-4		24-7	09116-06127	106-19
03112-06303	157-3	06111-07004	74-21		107-19
	158-3	06111-11004	74-22		108-19
	159-3	08113-60087	74-28		109-19
	160-3	08310-00067	79-16		110-19
	161-3	08316-10087	25-7		111-19
	162-3		79-2		112-19
	163-3	08321-01067	79-17		113-19
	164-3	08331-41359	72-27		114-19
	165-3	08332-1107A	73-4		115-19
	166-3	09100-08232	168-50	09116-06202	28-26

PART NO.	FIG.NO.-REF.NO.	PART NO.	FIG.NO.-REF.NO.	PART NO.	FIG.NO.-REF.NO.
	29-26		108-12		93-9
	30-26		109-12		93-10
	31-26		110-12		93-11
	32-26		111-12		93-22
	33-26		112-12		94-9
	34-26		113-12		94-10
	35-26		114-12		94-11
	36-26		115-12		94-22
	37-26	09125-05042	168-16		95-9
	77-4		169-16		95-10
09116-06215	26-4		170-16		95-11
09116-08128	71-10		95-26		95-26
	103-5		172-16		96-9
09116-08137	90-6		173-16		96-10
	103-33		180-21		96-11
	105-5		181-21		96-26
	126-65		182-21		97-9
	127-65		183-21		97-10
	128-65		184-21		97-11
	129-65		185-21		97-26
	202-62	09125-05046	78-7		98-9
	203-62	09125-05047	126-42		98-10
	204-62		127-42		98-11
	205-62		128-42		98-26
	206-62		129-42		99-9
	207-62		202-41		99-10
09116-08159	103-6		203-41		99-11
09116-10129	71-15		204-41		99-22
09116-10137	105-16		205-41		100-9
09116-10147	103-31		206-41		100-10
09116-10150	105-17		207-41		100-11
	126-74	09125-05050	101-28		100-22
	127-74	09125-05135	174-30		101-24
	128-74		175-30	09126-05003	168-51
	129-74		176-30		169-51
	202-69		177-30		170-51
	203-69		178-30		171-51
	204-69		179-30		172-51
	205-69		209-2		173-51
	206-69		210-2	09126-06006	180-25
	207-69		211-2		181-25
09116-10174	101-26		212-2		182-25
09116-10176	71-16	09125-06063	91-9		183-25
	103-30		91-10		184-25
	104-2		91-11		185-25
	104-21		91-26	09126-06015	126-38
09117-08047	74-29		92-9		127-38
09117-08110	74-33		92-10		128-38
09118-08127	106-12		92-11		129-38
	107-12		92-26		202-37

PART NO.	FIG.NO.-REF.NO.	PART NO.	FIG.NO.-REF.NO.	PART NO.	FIG.NO.-REF.NO.
	203-37		115-7		98-27
	204-37	09137-04004	80-2		99-23
	205-37		81-2		100-23
	206-37		82-2	09140-14024	74-10
	207-37		83-2	09141-18005	105-26
09131-05004	147-41		84-2	09159-10050	91-19
	148-41		85-2		92-19
	151-41		86-2		95-19
	152-41		87-2		96-19
	153-41		88-2		97-19
	154-41		89-2		98-19
09132-04034	49-15	09140-05005	60-11	09159-12014	90-12
	50-15		61-11		103-27
	51-15		62-11		104-15
	52-15		63-11		126-66
	53-15		64-11		127-66
	54-15		65-11		128-66
	55-15		66-11		129-66
	56-15		67-11		202-63
	57-15		68-11		203-63
	58-15		69-11		204-63
09136-06148	106-5		174-32		205-63
	107-5		175-32		206-63
	108-5		176-32		207-63
	109-5		177-32	09159-22006	90-7
	110-5		178-32	09160-05024	174-19
	111-5		179-32		175-19
	112-5		209-3		176-19
	113-5		210-3		177-19
	114-5		211-3		178-19
	115-5		212-3		179-19
09136-06149	106-6	09140-06020	168-52	09160-05029	174-31
	107-6		169-52		175-31
	108-6		170-52		176-31
	109-6		171-52		177-31
	110-6		172-52		178-31
	111-6		173-52		179-31
	112-6		180-31		209-4
	113-6		181-31		210-4
	114-6		182-31		211-4
	115-6		183-31		212-4
09136-06161	106-7		184-31	09160-06046	60-12
	107-7		185-31		61-12
	108-7	09140-10032	91-27		62-12
	109-7		92-27		63-12
	110-7		93-23		64-12
	111-7		94-23		65-12
	112-7		95-27		66-12
	113-7		96-27		67-12
	114-7		97-27		68-12

PART NO.	FIG.NO.-REF.NO.	PART NO.	FIG.NO.-REF.NO.	PART NO.	FIG.NO.-REF.NO.
09160-06055	69-12		129-67		57-12
	131-9		202-64		58-12
	132-9		203-64	09163-06001	126-39
	133-10		204-64		127-39
	134-10		205-64		128-39
09160-06082	135-9		206-64		129-39
	136-9		207-64		202-38
	137-9	09160-12110	90-13		203-38
	138-9		103-28		204-38
	139-10	09160-12124	126-68		205-38
	140-10		127-68		206-38
	91-28		128-68	09164-13010	207-38
	92-28		129-68		126-70
	93-24		202-65		127-70
	94-24		203-65		128-70
09160-06084	95-28		204-65		129-70
	96-28		205-65		202-67
	97-28		206-65		203-67
	98-28		207-65		204-67
	99-24	09160-13014	106-23		205-67
	100-24		107-23		206-67
	60-6		108-23		207-67
	61-6		109-23	09164-14008	106-24
	62-6		110-23		107-24
	63-6		111-23		108-24
09160-06104	64-6		112-23		109-24
	65-6		113-23		110-24
	66-6		114-23		111-24
	67-6		115-23		112-24
	68-6	09160-16047	76-3		113-24
	69-6	09160-18028	105-28		114-24
	168-53	09160-18031	103-10		115-24
	169-53	09160-39001	91-12	09168-10034	105-7
	170-53		92-12	09168-12012	71-13
	171-53		93-12	09168-16002	70-4
09160-09019	172-53		94-12	09169-06053	79-20
	173-53		95-12	09169-06062	1-29
	72-11		96-12		77-6
	72-17		97-12	09169-06075	26-5
	91-20		98-12	09169-06090	28-27
09160-10141	92-20		99-12		29-27
	95-20		100-12		30-27
	96-20	09161-16008	49-12		31-27
	97-20		50-12		32-27
	98-20		51-12		33-27
	105-19		52-12		34-27
	90-14		53-12		35-27
	90-14		54-12		36-27
09160-12044	126-67		55-12		37-27
	127-67		56-12	09169-08039	106-13
	128-67				

PART NO.	FIG.NO.-REF.NO.	PART NO.	FIG.NO.-REF.NO.	PART NO.	FIG.NO.-REF.NO.
	107-13	09181-40005	74-12-3		55-13
	108-13	09181-40006	74-12-4		56-13
	109-13	09181-40007	74-12-5		57-13
	110-13	09181-40008	74-12-6		58-13
	111-13	09181-40009	74-12-7	09202-07003	74-18
	112-13	09181-40010	74-12-8	09202-08006	103-7
	113-13	09181-40011	74-12-9		104-3
	114-13	09181-40012	74-12-10		104-7
	115-13	09181-40013	74-12-11		105-3
09169-28003	91-13	09181-40018	74-12-1	09204-01006	72-12
	92-13	09181-40186	74-9-1		72-18
	93-13	09181-40190	74-9-7		91-29
	94-13	09181-40195	74-9-11		92-29
	95-13	09181-41002	74-9-2		93-25
	96-13	09181-41003	74-9-3		94-25
	97-13	09181-41004	74-9-4		95-29
	98-13	09181-41005	74-9-5		96-29
	99-13	09181-41006	74-9-6		97-29
	100-13	09181-41008	74-9-8		98-29
09180-06186	60-13	09181-41009	74-9-9		99-25
	61-13	09181-41010	74-9-10		100-25
	62-13	09181-41012	74-9-12	09204-03003	105-27
	63-13	09181-41013	74-9-13	09205-05011	74-3
	64-13	09181-41014	74-9-14	09205-10008	72-22
	65-13	09181-64002	74-14-1	09206-08001	1-3
	66-13	09181-64003	74-14-2	09206-13019	2-8
	67-13	09181-64004	74-14-3	09246-05006	70-14
	68-13	09181-64005	74-14-4	09248-10008	105-6
	69-13	09181-64006	74-14-5	09248-12009	71-14
09181-25030	74-23	09181-64007	74-14-6	09248-12011	72-19
09181-25072	74-11-6	09181-64008	74-14-7	09248-18010	103-11
09181-25073	74-11-7	09181-64009	74-14-8	09248-18011	2-6
09181-25074	74-11-8	09181-64010	74-14-9	09251-07003	130-9
09181-25075	74-11-9	09181-64011	74-14-10	09260-10005	72-23
09181-25130	74-11-1	09202-04022		09260-10006	126-56
09181-25139	74-11-2				127-56
09181-25143	74-11-3				128-56
09181-25149	74-11-4				129-56
09181-25153	74-11-5				202-55
09181-39001	91-14				203-55
	92-14				204-55
	93-14				205-55
	94-14				206-55
	95-14				207-55
	96-14	09202-06031	49-13	09262-17019	103-16
	97-14		50-13	09262-32008	14-2
	98-14		51-13	09262-35070	14-3
	99-14		52-13	09263-25067	74-6
	100-14		53-13		74-25
09181-40004	74-12-2		54-13	09263-26023	105-2

PART NO.	FIG.NO.-REF.NO.	PART NO.	FIG.NO.-REF.NO.	PART NO.	FIG.NO.-REF.NO.
09265-25046	74-4	09306-10022	72-7		108-14
09265-40003	74-7	09306-13007	106-26		109-14
09280-08012	38-7		107-26		110-14
	39-7		108-26		111-14
	40-7		109-26		112-14
	41-7		110-26		113-14
	42-7		111-26		114-14
	43-7		112-26		115-14
	44-7		113-26	09321-08022	106-8
	45-7		114-26		107-8
	46-7		115-26		108-8
	47-7	09307-09002	72-13		109-8
09280-09008	71-19		72-20		110-8
09280-11001	103-13	09320-04009	79-21		111-8
09280-17002	70-6	09320-08021	79-5		112-8
09280-20002	103-14	09320-08062	38-9		113-8
09280-22019	1-6		39-9		114-8
	27-5		40-9		115-8
09280-26005	48-3		41-9	09329-10022	116-7
09280-26006	1-16		42-9		117-7
	59-9		43-9		118-7
09280-46004	74-31		44-9		119-7
09280-55006	73-8		45-9		120-7
09280-92004	74-26		46-9		121-7
09282-08005	73-9		47-9		122-7
09282-22007	74-32	09320-09016	1-30		123-7
	103-18		3-3		124-7
09282-25001	74-27		4-3		125-7
09282-39001	91-15		5-3	09343-70503-600	48-12
	92-15		6-3	09352-50823-600	28-29
	93-15		7-3		29-29
	94-15		8-3		30-29
	95-15		9-3		31-29
	96-15		10-3		32-29
	97-15		11-3		33-29
	98-15		12-3		34-29
	99-15		77-7		35-29
09283-52004	100-15	09320-09039	26-6		36-29
09289-05012	13-12	09320-09053	28-28		37-29
	15-16		29-28	09352-50903-600	59-13
	16-16		30-28		59-14
	17-16		31-28		167-2
	18-16		32-28		167-3
	19-16		33-28	09352-70103-600	106-37
	20-16		34-28		107-37
	21-16		35-28		108-37
	22-16		36-28		109-37
	23-16		37-28		110-37
	24-16	09320-11013	106-14		111-37
09289-18001	103-17		107-14		112-37

PART NO.	FIG.NO.-REF.NO.	PART NO.	FIG.NO.-REF.NO.	PART NO.	FIG.NO.-REF.NO.
	113-37		37-30		34-32
	114-37	09401-08413	59-15		35-32
	115-37		167-5		36-32
09355-11165-600	1-23	09401-11423	48-6		37-32
09355-40805-00B	105-13		48-15	09403-12409	79-33
	157-5		130-8	09403-13408	76-10
	158-5	09401-11425	38-10	09403-19409	78-16
	159-5		39-10	09403-20301	76-13
	160-5		40-10	09407-08401	196-8
	161-5		41-10		196-26
	162-5		42-10		197-8
	163-5		43-10		197-26
	164-5		44-10		198-8
	165-5		45-10		198-26
	166-5		46-10		199-8
09362-09008	105-14		47-10		199-26
09367-06006	167-4	09401-15414	1-25		200-8
09367-08001	130-10		2-10		200-26
09380-22015	101-22		59-12		201-8
09380-38003	91-16	09401-26408	59-10		201-26
	92-16	09403-07308	79-28	09407-10404	80-8
	93-16	09403-07338	78-15		81-8
	94-16	09403-11320	72-26		82-8
	95-16		106-39		83-8
	96-16		107-39		84-8
	97-16		108-39		85-8
	98-16		109-39		86-8
	99-16		110-39		87-8
	100-16		111-39		88-8
09381-18002	13-4		112-39		89-8
09381-40005	104-8		113-39		105-15
09385-06012	131-8		114-39		157-6
	132-8		115-39		158-6
	133-9	09403-11321	79-32		159-6
	134-9		80-7		160-6
	135-8		81-7		161-6
	136-8		82-7		162-6
	137-8		83-7		163-6
	138-8		84-7		164-6
	139-9		85-7		165-6
	140-9		86-7		166-6
09401-08412	28-30		87-7	09407-11401	59-17
	29-30		88-7	09407-14407	78-19
	30-30		89-7		79-29
	31-30	09403-12320	28-32		147-6
	32-30		29-32		147-18
	33-30		30-32		148-6
	34-30		31-32		148-18
	35-30		32-32		149-6
	36-30		33-32		149-18

PART NO.	FIG.NO.-REF.NO.	PART NO.	FIG.NO.-REF.NO.	PART NO.	FIG.NO.-REF.NO.
	150-6	09420-04009	49-14		98-31
	150-18		50-14		99-27
	151-6		51-14		100-27
	151-18		52-14	09471-12028	147-4
	152-6		53-14		148-4
	152-18		54-14		149-4
	153-6		55-14		150-4
	153-18		56-14		151-4
	154-6		57-14		152-4
	154-18		58-14		153-4
	155-6	09440-06037	126-61		154-4
	155-18		127-61		155-4
	156-6		128-61		156-4
	156-18		129-61	09471-12077	141-7
09407-25402	106-30		202-76		142-7
	107-30		203-76		143-7
	108-30		204-76		144-7
	109-30		205-76		145-7
	110-30		206-76		146-7
	111-30		207-76		147-22
	112-30	09440-07071	72-24		147-26
	113-30	09440-09043	74-19		148-22
	114-30	09440-12027	126-40		148-26
	115-30		127-40		149-22
	167-7		128-40		150-22
09408-00020	79-35		129-40		151-22
09408-00021	79-18		202-39		151-26
09408-00024	79-30		203-39		152-22
09408-00155	1-26		204-39		152-26
09408-00233	38-11		205-39		153-22
	39-11		206-39		153-26
	40-11		207-39		154-22
	41-11	09440-19028	91-30		154-26
	42-11		92-30		155-22
	43-11		93-26		156-22
	44-11		94-26	09471-12103	141-2
	45-11		95-30		141-4
	46-11		96-30		142-2
	47-11		97-30		142-4
09409-10304-5ES	106-35		98-30		143-2
	107-35		99-26		143-4
	108-35		100-26		144-2
	109-35	09440-42002	74-20		144-4
	110-35	09443-10043	91-31		145-2
	111-35		92-31		145-4
	112-35		93-27		146-2
	113-35		94-27		146-4
	114-35		95-31		147-2
	115-35		96-31		147-9
09420-04008	76-4		97-31		147-13

PART NO.	FIG.NO.-REF.NO.	PART NO.	FIG.NO.-REF.NO.	PART NO.	FIG.NO.-REF.NO.
					147-15
					147-19
					148-2
					148-9
					148-13
					148-15
					148-19
					149-2
					149-9
					149-13
					149-15
					149-19
					150-2
					150-9
					150-13
					150-15
					150-19
		09481-10501			151-2
					151-9
					151-13
					151-15
					151-19
					152-2
					152-9
					152-13
					152-15
					152-19
					153-2
					153-9
		09481-15501			153-13
		09481-30501			153-15
		09481-40401			153-19
		09482-00446			154-2
		09800-81840			154-9
					154-13
					154-15
					154-19
					155-2
					155-9
					155-13
					155-15
					155-19
					156-2
					156-9
					156-13
					156-15
					156-19
09481-05501					147-34
					147-36
					148-34

SUZUKI DF70A/80A/90A PARTS CATALOGUE

SUZUKI MOTOR CORPORATION All rights reserved

No part of this document may be reproduced or transmitted in any form or by any means, electronic or mechanical, for any purpose, without the express written permission of Suzuki Motor Corporation.

SUZUKI MOTOR CORPORATION

Technical Readiness Group, Quality Administration Department
300 Takatsuka, Minami, Hamamatsu, Japan

Reprint Prohibited

SUZUKI MOTOR CORPORATION